



COMMERCIAL LAUNDRY SYSTEMS



World-renowned LG Washers are entering a new chapter in Commercial Laundry.



Sales/Marketing

- Mr. Saint Moon : sungho2.moon@lge.com
- Mr. Tiger Chang : tiger.chang@lge.com
- Mr. James Ryu : joonsun.ryu@lge.com
- Ms. Namhee Kong : namhee.kong@lge.com
- Mr. Suraj Chang : suraj.chang@lge.com

R&D

- Mr. James Kim : jaemun.kim@lge.com
- Mr. KJ Kim : kyoungjun.kim@lge.com
- Mr. NY Heo : ny.heo@lge.com

Contents

Why LG?	04
Durability	04
Efficiency	06
Convenience	08
Product Information	10
Titan-C	10
Giant-C ⁺	11
Atom	12
Reference Site	13
Technical Specification	16
Titan-C	16
Giant-C ⁺	18
Atom	20
FAQ	21



WHY LG?

DURABILITY

TITAN-C/GIANT-C+

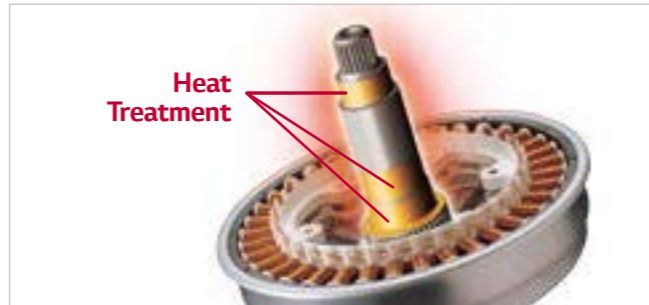
Premium Powder Coated

Our powder coated finish creates the same durability as it does when painting a car. It is sure to last long and provide an easy to clean exterior.



Multi Heat Treatment

To ensure superior performance LG heat treats the shaft which connects our drums and motors. This protects against gradual wear and tear.



Steel Control Panel

The front access panel is constructed of strong coated steel – not plastic, to enhance reliability and provide an important security barrier for the coin box and vault as well as the machine control assembly.



Stainless Steel Drum for Washer

The stainless steel drum helps prevent clothes from staining or damages during the wash cycle.



Inverter Direct Drive™

Unlike the traditional belt and pulley, the LG Commercial Laundry drum is directly attached to the motor providing superior durability and reliability. Less parts equal less repairs.

- Motor directly attached to drum
- Quiet and low vibration
- High durability due to brushless motor and no belt and pulley
- High technology and manufacturing with global patterned

Tempered Glass

The tempered glass door is less susceptible to breakage and scratching, while the transparent cover allows for easy viewing.



Top-mounted Dispenser

No worries about detergent spilling from a soap drawer down the front of this machine. The LG top mounted soap dispenser makes it easy to keep things clean.



Multiple Damper Vibration Reduction

Multiple dampers absorb vibration and reduce noise creating a quieter washing environment.

Titan-C	Giant-C+
<p>4 Dampers</p>	<p>3 Dampers</p>

WHY LG?

EFFICIENCY

TITAN-C/GIANT-C+

Energy Saving

LG Commercial Washers are ENERGY STAR qualified, meeting industry standards of energy efficiency. Choosing ENERGY STAR qualified commercial washers for your laundry will help save cost and the environment.



Space Saving

The small cabinet size with bigger washing capacity and stackable design allows more customers and more machines in limited space.



Embossed Inner Drum

The surface of the embossed inner drum increases the amount of contact with fabric. This creates better washing action and helps remove more dirt and stains.



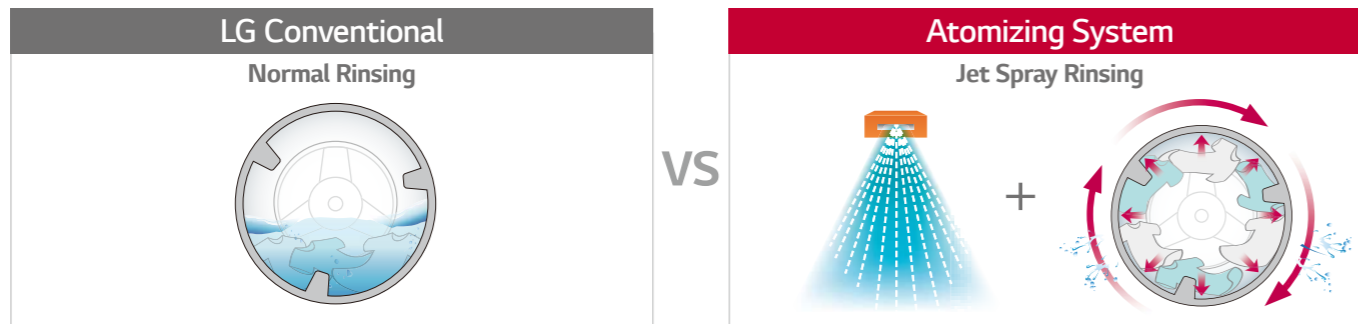
Tub Cleaning System

A dirty tub from hours of long operation can affect washing performance. Our tub cleaning program helps you keep a clean tub even in the busiest locations.



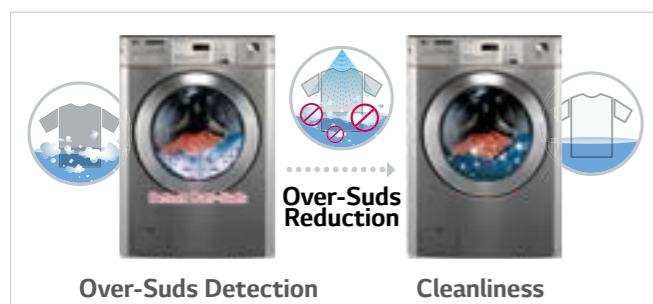
Atomizing System

The Atomizing nozzle sprays fresh water onto the clothes and the door. This helps produce a rapid fill so clothes are soaked sooner and longer providing a better washing performance. It also cleans the door glass every time the water sprays on it, reducing your burden of cleaning any excess soap residue.



Optimized Washing System

When an LG Commercial Washer detects over-suds during a washing cycle, it moves into a suds reduction process which delivers a better washing performance.



10° Tilted Drum

LG's Commercial Washer tub is tilted at 10°. It enables the washer to have a higher level of water in the tub than the competition. This allows us to use less water while not sacrificing superior washing performance.



WHY LG?

CONVENIENCE

TITAN-C/GIANT-C+

Customized Program *Washer Single Only**

Users can design their own programs such as washing time, rinse time, water level, etc. and save up to 20 washing programs to meet optimized washing performance.



* Model: F10C7FD3, TCW2013LS

Easy Programming

Intuitive programming controls allow operators to choose from a variety of functions and programs, including price, cycle time, cycle parameters, spin-speed and more, ensuring that all washing requirements are met.



Easy Repair System

LG Commercial Laundry products are all front service accessible. Valuable service time will never be wasted gaining access to key service elements.



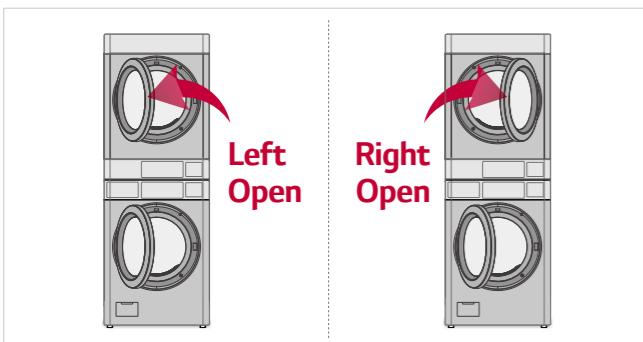
Multilingual Readout

Our mission is to make customers happy and enjoy doing laundry with LG Commercial machines. Easy to read directions in multiple languages.



Reversible Door for Dryer

The direction of the door swing can be easily changed to the customer's preference, left or right, with no additional parts required.



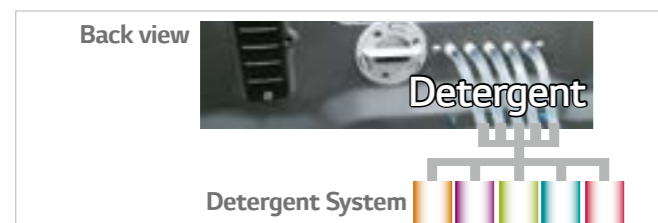
PRODUCT INFORMATION

TITAN-C

GIANT-C⁺

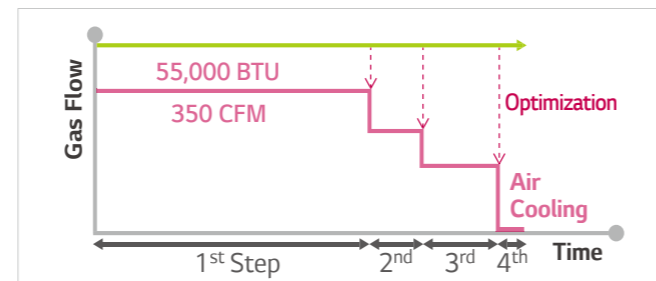
Automatic Liquid Supply Injection Interface

LG Commercial washers are equipped with detergent injection supply. This system controls 5 individual trigger signals for liquid supply injection. This makes it very simple for your detergent suppliers to connect their liquid supply system to the machine.



Gas/Air Flow Optimization

LG Conventional dryers control air and gas flow by turning the unit ON and OFF. Instead, LG Commercial Dryers allocate the appropriate amount of gas and air into several sections to control air flow. This significantly increases energy efficiency.



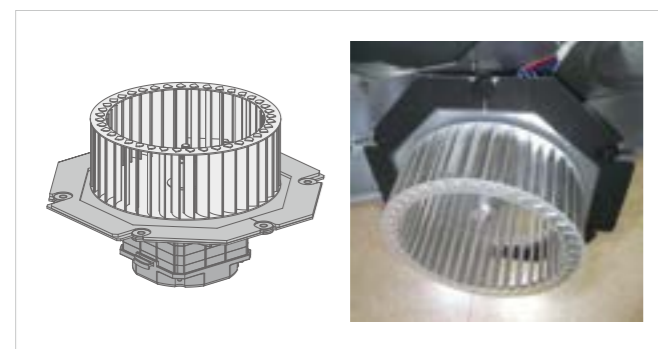
AdaptAble™ Controls

AdaptAble™ Controls provide the space saving and convenience without compromising capacity while retaining easy to reach controls. The controls are always at a convenient height and are versatile enough to match your needs.



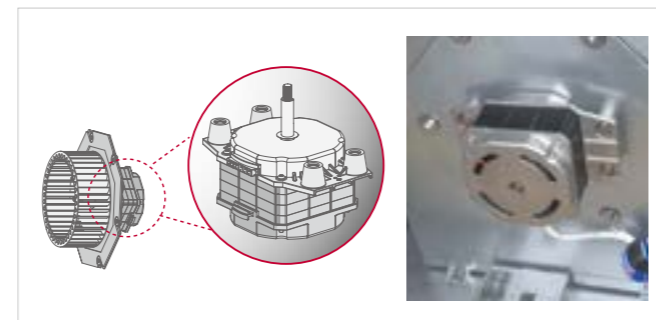
Excellent Dry Performance

Thanks to new wider big fan, air flow is improved and clothes can be dried faster than before. Better dry performance, better energy efficiency.



Heavy Duty Motor

LG Commercial Dryers incorporate the sturdy motor additionally and it provides better air flow and heating system. This creates better drying action and increases dry capacity.



Installation Flexibility

Install your laundry to meet your needs and space with side by side or stack configuration. Easy to bring and reinstall your products even though you move to new house.



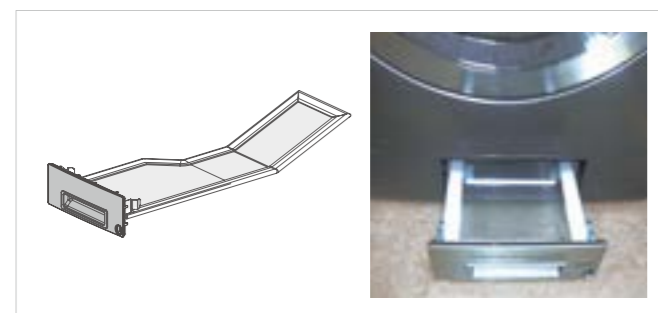
Easy Sliding System *Washer & Dryer Stack Only*

The Easy Sliding System allows for quick and easy maintenance. The innovative sliding mechanism enables you to service the down stack without having to completely remove the upper stack. By sliding the upper stack equipment, it is easy to access important parts in both the upper and lower stack.



Easy Access Lint filter

The surface of lint filter increased and it provides the easy access and cleaning without opening door. This creates better drying action and helps to reduce frequency of cleaning.



Dual Lock System *Coin Washer & Dryer Stack Only**

LG's double locking system for the front panel and coin vault access provides increased security.



* Model : F1069FDP, RN1329AN1, RV1329AN1
GCWP1069QD, GD1329QGD, GD1329QED

PRODUCT INFORMATION

ATOM

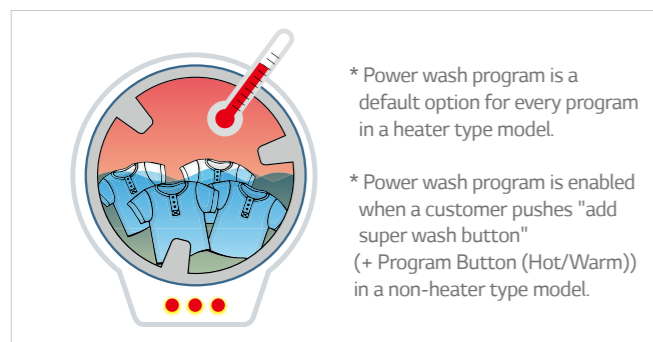
Compact Design

With its compact 24 inch cabinet size the Atom is an ideal machine for small space. When you are looking to replace an average top loader, the Atom meets your needs and uses less water and less energy.



Power Wash Program

The Atom's Power wash program enables a heating system that boils water creating a better washing performance.



FEATURE

- Inverter Direct Drive System
- Embossed Inner Drum
- Tub Cleaning System
- Triple Damper Vibration Reduction
- Smart Programming
- Optimized Washing System
- Easy Repair System
- Streamlined Design
- Tempered Glass

* Atom is not available in some countries.

REFERENCE SITE

COIN LAUNDRY

LG Laundry Lounge

- Place : Laundry Lounge, New York, USA
- Washer : Giant-C Card Type
- Dryer : Giant-C Card Type
- Installation : Sep, 2012



LG Laundry Lounge

- Place : Laundry Lounge, Zagreb, Croatia
- Washer : Giant-C Coin Type
- Dryer : Giant-C Coin Type
- Installation : Mar, 2015



Clean Laundry

- Place : Laundromat, Shanghai, China
- Washer : Giant-C Coin Type
- Dryer : Giant-C Coin Type
- Installation : Nov, 2013



Coin Laundromat in Perth

- Place : Laundromat, Perth, Australia
- Washer : Giant-C Coin Type
- Dryer : Giant-C Coin Type
- Installation : Jan, 2014



Ecoclean

- Place : Laundromat, Leon Guanajuato, Mexico
- Washer : Titan-C & Giant-C+ Card Type
- Dryer : Titan-C & Giant-C+ Card Type
- Installation : Aug, 2014



Skywhite Laundry

- Place : Laundromat, Manila, Philippines
- Washer : Titan-C & Giant-C Card Type
- Dryer : Titan-C & Giant-C Card Type
- Installation : May, 2015

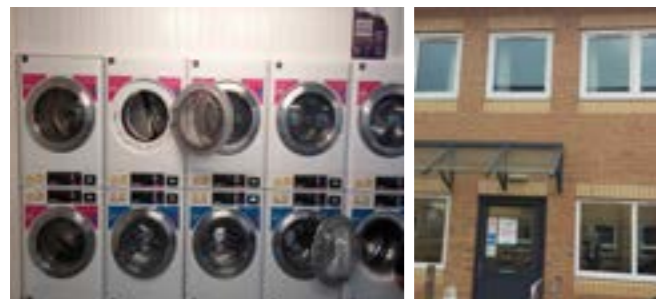


REFERENCE SITE

MULTI-HOUSING

Dormitory in York

- Place : Dormitory, York, United Kingdom
- Washer : Giant-C Card Type
- Dryer : Giant-C Card Type
- Installation : Nov, 2011



Dormitory in Shanghai

- Place : Dormitory, Shanghai, China
- Washer : Giant-C RFID Type
- Dryer : Giant-C RFID Type
- Installation : Nov, 2011



Dormitory in Malaysia

- Place : Dormitory, Kuala Lumpur, Malaysia
- Washer : Giant-C OPL Type
- Dryer : Giant-C OPL Type
- Installation : Jun, 2015



Saint Cloud State University

- Place : University, Minneapolis, USA
- Washer : Giant-C+ Central Payment Type
- Dryer : Giant-C Central Payment Type
- Installation : Apr, 2014



Apartment in LA

- Place : Apartment, LA, USA
- Washer : Giant-C+ Card Type
- Dryer : Giant-C Card Type
- Installation : Aug, 2014



Apartment in Miami

- Place : Apartment, Miami, USA
- Washer : Giant-C+ & Giant-C Card Type
- Dryer : Giant-C Card Type
- Installation : Apr, 2014



OPL & OTHERS

Mining Camp in Perth

- Place : Mining Camp, Perth, Australia
- Washer : Giant-C OPL Type
- Installation : Jul, 2013



Hotel in Khabarovsk

- Place : Hotel, Khabarovsk, Russia
- Washer : Giant-C OPL Type
- Dryer : Giant-C OPL Type
- Installation : Dec, 2013



Metropole

- Place : Kilo Laundry, Manila, Philippines
- Washer : Giant-C OPL Type
- Dryer : Giant-C OPL Type
- Installation : Oct, 2013



Hotel Park Plaza

- Place : Hotel, Pula, Croatia
- Washer : Giant-C OPL Type
- Dryer : Giant-C OPL Type
- Installation : Jun, 2014



A New Leader in Commercial Laundry Systems

Let's make more laundry shops with LG Commercial Laundry!



TECHNICAL SPECIFICATION

TITAN-C

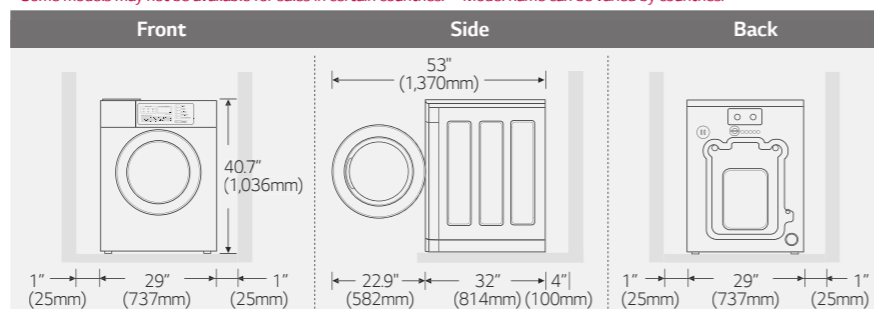
Washer



		Non-Heater
CYLINDER		
Drum Volume	cu.ft (l)	5.2 (147)
Diameter	in. (mm)	24 (610.8)
Depth	in. (mm)	20.4 (518.1)
Capacity	lb (kg)	35 (15)
DIMENSIONS		
Product (WxHxD)	in. (mm)	29 (737) x 40.8 (1,036) x 32 (814)
With Door Opening	in. (mm)	53 (1,370)
Carton (WxHxD)	in. (mm)	31 (788) x 44.3 (1,125) x 33.3 (846)
Weight (Product/Carton)	lb (kg)	221.8 (100.6)/248 (112.5)
SPEED		
Wash	RPM	46
Extract (High Speed)	RPM	980
G-force	G	327
RATING		
Electric Ratings	V/Hz/A	120/60/5 220-240/50/5 220/60/5
WATER USAGE		
Water Consumption	gal (l)	17.8 (67.6)
NOISE & CYCLE TIME		
Noise Level (Sound Power)	dB	Lower than 62
Program Duration in Minutes (Default)	min	35
SYSTEM & CONTROL		
Inverter Direct Drive Motor		0
Intelligent Electronics Controls		0
Heating System	W	1,000 (Only for Tub Clean)
Compartment Dispenser		3 Compartment Dispensers
Drain System		Gravity Drain
Pricing Program		Special Vended Price
Emergency Stop Button		0 (OPL Only)
Auto Dosing Interface		0
Damper		4 Friction Dampers
PROGRAMS		
Program List		Hot Warm Cold Delicates Add Super Wash (Card & Coin)/Cutom PGM (OPL)
EXTERNAL FINISH		
Drum		Stainless Steel Drum
Top Plate		Porcelain
Transparent Glass Window Door		0
Color		Platinum
Cabinet		Painted Steel
Cabinet Cover		Powder Painted Steel
Control Panel		Powder Painted Steel
Panel Frame		Powder Painted Steel
Panel Frame Lower		Powder Painted Steel
Window Display		Silk Screen
Window Display Sheet		Aluminum
CIRCUIT PROTECTION		
PCB Fuse - Main Control Board	amps	8 (220-240V) 12 (120V)
PCB Fuse - Filter Assembly	amps	15

		Non-Heater		
		Coin	Card	OPL
Single		F10C7FD4 TCW2013QS FH0C7FD4	F10C7FD7 TCW2013CS FH0C7FD7	F10C7FD3 TCW2013LS FH0C7FD3
Stack		-	-	-

* Dimensions and weights are approximate. * Design, features and specifications subject to change without notice.
* Some models may not be available for sales in certain countries. * Model name can be varied by countries.



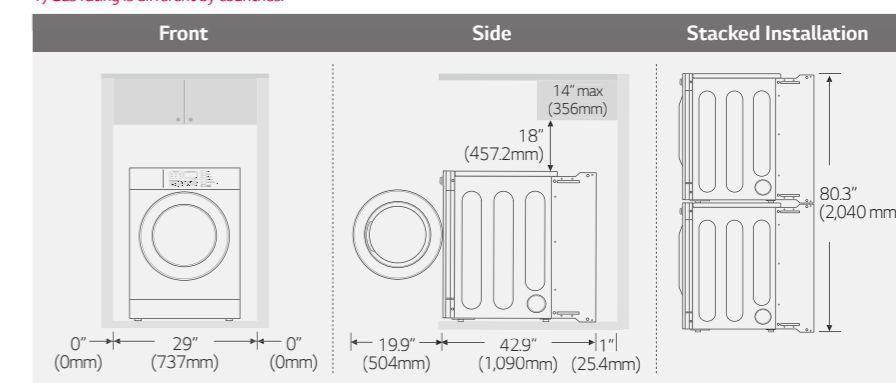
Dryer



		Gas
CYLINDER		
Drum Volume	cu.ft (l)	9.0 (254)
Diameter	in. (mm)	28.2 (716)
Depth	in. (mm)	24.2 (614)
Capacity	lb (kg)	30 (13.6)
DIMENSIONS		
Product (WxHxD)	in. (mm)	29 (737) x 40.2 (1,022) x 42.9 (1,090)
With Door Opening	in. (mm)	65.1 (1,655)
Carton (WxHxD)	in. (mm)	30.7 (781) x 44.7 (1,137) x 44.4 (1,128)
Weight (Product/Carton)	lb (kg)	220 (100)/240 (108.8)
RATING		
Electric Ratings	V/Hz/A	120/60/10
OPERATION		
Heating Type		Gas
Type of Drying	W	Ventilation
Air Flow	CFM	350
Drum Motor	KW	0.5 (120V/60Hz)
Fan Motor	KW	0.3
Gas Ratings	KW/BTU	16.1 (EU) ¹⁾ /55,000
CONNECTIONS		
Air Outlet Diameter	in. (mm)	6 (154)
Exhaust Airflow Diameter	in. (mm)	6 (154)
SYSTEM & CONTROL		
Pricing Program		Special Vended Price
Intelligent Electronic Controls		0
PROGRAMS		
Program List		High Temp Med Temp Low Temp No Heat
EXTERNAL FINISH		
Top Plate		Porcelain (Single) / Powder Painted Steel (Stack)
Transparent Glass Window Door		0
Color		Platinum
Cabinet		Painted Steel
Cabinet Cover		Powder Painted Steel
Control Panel		Powder Painted Steel
Panel Frame		Powder Painted Steel
Panel Frame Lower		Powder Painted Steel
Window Display		Silk Screen
Window		Aluminium

		Gas	
		Coin	Card / OPL
Single		RN1870AN4 TCD1870QGS	RN1870AH4 TCD1870CGS
Stack		RN1870AN2 TCD1870QGG	RN1870AH2 TCD1870CGG

* Dimensions and weights are approximate. * Design, features and specifications subject to change without notice.
* Some models may not be available for sales in certain countries. * Model name can be varied by countries.
1) Gas rating is different by countries.



TECHNICAL SPECIFICATION

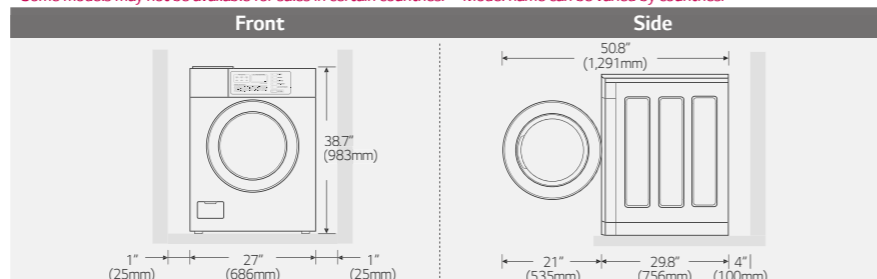
GIANT-C⁺

Washer



		Non-Heater	Heater
CYLINDER			
Drum Volume	cu.ft (l)	3.6 (102.7)	3.6 (102.7)
Diameter	in. (mm)	22.1 (560)	22.1 (560)
Depth	in. (mm)	16.5 (419.3)	16.5 (419.3)
Capacity	lb (kg)	22.5 (13)	22.5 (10.2)
DIMENSIONS			
Product (WxHxD)	in. (mm)	27 (686)x 38.7 (983)x 30.2 (767)	27 (686)x 38.7 (983)x 30.2 (767)
With Door Opening	in. (mm)	50.8 (1,291)	50.8 (1,291)
Carton (WxHxD)	in. (mm)	29.7 (755)x 44.4 (1,127)x 31.3 (795)	29.7 (755)x 44.4 (1,127)x 31.3 (795)
Weight (Product/Carton)	lb (kg)	191.8 (87)/211.6 (96)	191.8 (87)/211.6 (96)
SPEED			
Wash	RPM	50	50
Extract (High Speed)	RPM	1,150	1,150
G-force	G	413	413
RATING			
Electric Ratings	V/Hz/A	120/60/5 220-240/50/5 220/60/5	220-240/50/15-17.5
WATER USAGE			
Water Consumption	gal (l)	13.4 (50.8)	13.4 (50.8)
NOISE & CYCLE TIME			
Noise Level (Sound Power)	dB	Lower than 62	Lower than 62
Program Duration in Minutes (Default)	min	36	60 (60°C Program)
SYSTEM & CONTROL			
Inverter Direct Drive Motor		0	0
Intelligent Electronics Controls		0	0
Heating System	W	-	3,600
Compartment Dispenser		3 Compartment Dispensers	3 Compartment Dispensers
Forced Drain System		0	0
Pricing Program		Special Vended Price	Special Vended Price
PROGRAMS			
Program List		Hot Warm Cold Delicates Add Super Wash * Custom PGM	90°C (194 °F) 75°C (167 °F) 60°C (140 °F) 40°C (104 °F) Cold Delicates * Rinse+Spin
EXTERNAL FINISH			
Drum		Stainless Steel Drum	Stainless Steel Drum
Top Plate		Porcelain (Single) / Powder Painted Steel (Stack)	Porcelain (Single) / Powder Painted Steel (Stack)
Transparent Glass Window Door		0	0
Color		Platinum	Platinum
Cabinet		Painted Steel	Painted Steel
Cabinet Cover		Powder Painted Steel	Powder Painted Steel
Control Panel		Powder Painted Steel	Powder Painted Steel
Panel Frame		Powder Painted Steel	Powder Painted Steel
Panel Frame Lower		Powder Painted Steel	Powder Painted Steel
Window Display		Silk Screen	Silk Screen
Window		Aluminium	Aluminium
CIRCUIT PROTECTION			
PCB Fuse - Main Control Board	amps	8 (220-240V) 12 (120V)	8 (220-240V)
PCB Fuse - Filter Assembly	amps	15	15
		Non-Heater	Heater
Single		Coin F1069FD4P GCWP1069QS2 FH069FD4P	Card F1069FD7P GCWP1069CS2 FH069FD7P
Stack		OPL F1069FD6P GCWP1069QD2 FH069FD6P	OPL F1069FD3S WD-1069BD3S F1069FD3PS

* Dimensions and weights are approximate. * Design, features and specifications subject to change without notice.
* Some models may not be available for sales in certain countries. * Model name can be varied by countries.



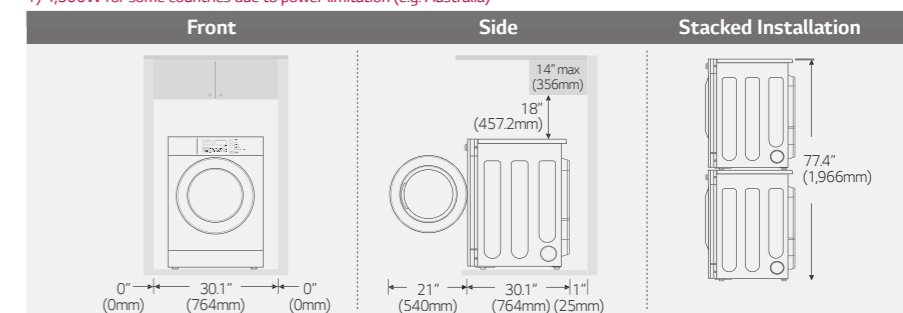
Dryer



Weather Hood Type	Number of 90° Elbows	Maximum length of 4" (10.2cm) diameter rigid metal duct	Maximum length of 4" (10.2cm) diameter flexible metal duct
Recommended	0	65 feet (19.8m)	45 feet (13.7m)
 4" (10.2 cm)	1	55 feet (16.8m)	35 feet (10.7m)
	2	47 feet (14.3m)	30 feet (9.1m)
	3	36 feet (11.0m)	25 feet (7.6m)
	4	28 feet (8.5m)	20 feet (6.1m)
 2-1/2" (6.35 cm)	0	55 feet (16.8m)	35 feet (10.7m)
	1	47 feet (14.3m)	27 feet (8.2m)
	2	41 feet (12.5m)	21 feet (6.4m)
	3	30 feet (9.1m)	17 feet (5.2m)
	4	22 feet (6.7m)	15 feet (4.5m)

		Gas	Electric
CYLINDER			
Drum Volume	cu.ft (l)	7.3 (207)	7.3 (207)
Diameter	in. (mm)	26.1 (663)	26.1 (663)
Depth	in. (mm)	22.5 (570.6)	22.5 (570.6)
Capacity	lb (kg)	22.5 (10.2)	22.5 (10)
DIMENSIONS			
Product (WxHxD)	in. (mm)	27 (686)x 38.7 (983)x 30.1 (764)	27 (686)x 38.7 (983)x 30.1 (764)
With Door Opening	in. (mm)	49.8 (1,264)	49.8 (1,264)
Carton (WxHxD)	in. (mm)	29.9 (760)x 46.1 (1,170)x 31.3 (795)	29.9 (760)x 46.1 (1,170)x 31.3 (795)
Weight (Product/Carton)	lb (kg)	130 (59)/143 (65)	130 (59)/143 (65)
RATING			
Electric Ratings	V/Hz/A	120/60/5 220-240/50/2.4 220/60/3	120 (240)/60/26 220-240/50/22.5 220/60/21 240/50/19.5
OPERATION			
Heating Type		Gas	Electric
Type of Drying		Ventilation	Ventilation
Air Flow	CFM	160	160
Motor	KW	0.4 (120V/60Hz)	0.4 (120V/60Hz)
		0.3 (220-240V/50Hz)	0.3 (220-240V/50Hz)
		0.4 (220V/60Hz)	0.4 (220V/60Hz)
Gas Ratings	KW/BTU	5.8/20,000	-
Heating Element	W	-	5,400 ¹⁾
Program Duration in Minutes (Default)	min	45	45
CONNECTIONS			
Air Outlet Diameter	in. (mm)	4 (100)	4 (100)
Exhaust Airflow Diameter	in. (mm)	4 (100)	4 (100)
SYSTEM & CONTROL			
Pricing Program		Special Vended Price	Special Vended Price
Intelligent Electronic Controls		0	0
PROGRAMS			
Program List		High Temp Med Temp Low Temp No Heat	High Temp Med Temp Low Temp No Heat
EXTERNAL FINISH			
Top Plate		Porcelain (Single) / Powder Painted Steel (Stack)	Porcelain (Single) / Powder Painted Steel (Stack)
Transparent Glass Window Door		0	0
Color		Platinum	Platinum
Cabinet		Painted Steel	Painted Steel
Cabinet Cover		Powder Painted Steel	Powder Painted Steel
Control Panel		Powder Painted Steel	Powder Painted Steel
Panel Frame		Powder Painted Steel	Powder Painted Steel
Panel Frame Lower		Powder Painted Steel	Powder Painted Steel
Window Display		Silk Screen	Silk Screen
Window		Aluminium	Aluminium
		Gas	Electric
Single		Coin RN1329AN4 GD1329QGS2	Card RV1329AD1 GD1329CES2 RV1329AD1S
Stack Upper		OPL RN1329A7S GD1329QGW2 RP1329AN7S	OPL RV1329A7S GD1329QEW2 RV1329AD5S GD1329CEW2
Stack Lower		OPL RN1329A7S GD1329LGS2 RN1329A4S RN1329CD4P GDP1329CGS2	OPL RV1329A7S GD1329LEW2 TD-V1329EA7
Stack Lower		OPL RN1329A1 GD1329QGD2	OPL RV1329A1 GD1329QED2 RV1329AD6 GD1329CED2

* Dimensions and weights are approximate. * Design, features and specifications subject to change without notice.
* Some models may not be available for sales in certain countries. * Model name can be varied by countries.
1) 4,500W for some countries due to power limitation (e.g. Australia)



TECHNICAL SPECIFICATION

ATOM

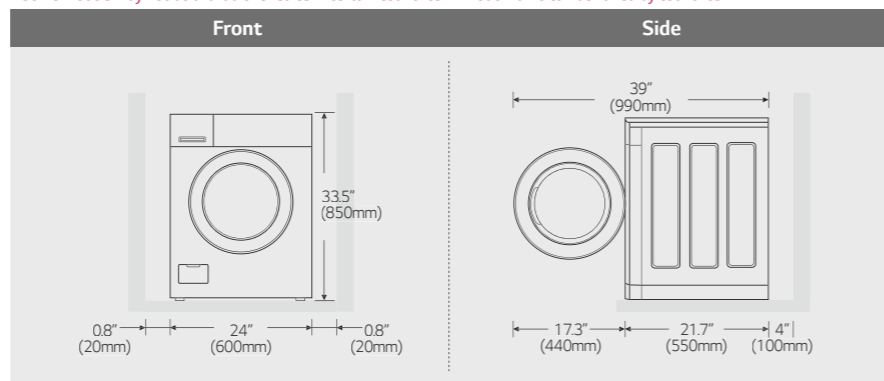
Washer



		Non-Heater	Heater
CYLINDER			
Drum Volume	cu.ft (l)	2.1 (58)	2.1 (58)
Diameter	in. (mm)	19.1 (484.6)	19.1 (484.6)
Depth	in. (mm)	14.7 (372)	14.7 (372)
Capacity	lb (kg)	13.2 (6)	13.2 (6)
DIMENSIONS			
Product (WxHxD)	in. (mm)	236(600)x335(850)x21.7(550)	236(600)x21.7(550)x335(850)
With Door Opening	in. (mm)	39 (990)	39 (990)
Carton (WxHxD)	in. (mm)	260(660)x348(885)x258(655)	260(660)x348(885)x258(655)
Weight (Product/Carton)	lb (kg)	134.5 (61)/143.3 (65)	134.5 (61)/143.3 (65)
SPEED			
Wash	RPM	45	45
Extract (High Speed)	RPM	1,200	1,200
ENERGY			
Electric Ratings	V/Hz/A	220~240/50/5	220~240/50/10
WATER USAGE			
Water Consumption	gal (l)	17.4 (66)	22.7 (86)
NOISE & CYCLE TIME			
Noise Level (Sound Power)	dB	Lower than 62	Lower than 62
Program Duration in Minutes (Default)	min	52 (Whites)	95 (90°C)
SYSTEM & CONTROL			
Inverter Direct Drive Motor		0	0
Intelligent Electronics Controls		0	0
Compartment Dispenser		3 Compartment Dispenser	3 Compartment Dispenser
Heating System	W	2,000	2,000
Forced Drain System		0	0
Pricing Program		Special Vended Price	Special Vended Price
PROGRAMS			
Program List		Hot	90°C (194°F)
		Warm	75°C (167°F)
		Cold	60°C (140°F)
		Delicates	40°C (104°F)
		Spin Only	Cold
		Add Super Wash	Power
EXTERNAL FINISH			
Drum		Stainless Steel Drum	Stainless Steel Drum
Transparent Glass Window Door		0	0
Color		Stone Silver	Stone Silver
Cabinet		Painted Steel	Painted Steel
Control Panel		Plastic	Plastic
Window Display		Dual LED Display	Dual LED Display
CIRCUIT PROTECTION			
PCB Fuse - Main Control Board	amps	8 (220V~240V/50hz)	8 (220V~240V/50hz)
PCB Fuse - Filter Assembly	amps	15	15
HOSE			
Inlet Hose	ft. (mm)	4.1 (1,250)	4.9 (1,500)
Drain Hose	ft. (mm)	7.7 (2,350)	6.6 (2,000)

	Non-Heater		Heater	
	RFID Card	OPL	RFID Card	OPL
Single	F12A9TDP9	F12A9TDP3	-	F12A9TDP3S

* Dimensions and weights are approximate. * Design, features and specifications subject to change without notice.
 * Some models may not be available for sales in certain countries. * Model name can be varied by countries.



FAQ

Q1 Which coin drop brand can be compatible and it is included in the box?

A1 Coin drop is not included; you can buy and use Greenwald, ESD and Munzuprufer for our product.

Q2 Is it possible to connect with Central Payment System for LG commercial machine?

A2 Yes, you can connect Central Payment System with LG Commercial machine by connecting harness in Control Panel.

Q3 Is stack type machine stacked in the factory?

A3 For the stack type, you need to stack the machine by yourself. But, it's really easy to stack. Also, you can use stack type machine as single type by changing some parts.

* Titan-C Dryer is stacked in the factory.

Q4 How can I change single type machine to stack type machine?

A4 Regardless of product composition such as washer with dryer or dryer with dryer, you can stack easily from 2 single machines to 1 stack machine by change of some parts.

Type	Required Parts
COIN	1. Stacking kit
	2. Top plate of lower machine
	3. Control panel of upper machine
	4. Control panel of lower machine
	5. Extension cable to connect PCB with upper machine
CARD/OPL	1. Stacking kit
	2. Top plate of lower machine
	3. Control panel of upper machine
	4. Extension cable to connect PCB with upper machine

Q5 Is it possible to convert from Payment type to Non-Payment type or Non-Payment type to Payment type?

A5 You can select Payment type and Non-Payment type in Setup mode. (Giant-C Plus Only)

Q6 Is it possible to connect detergent system and LG Commercial Machine?

A6 For the Titan, it is ready to connect with detergent system. For Giant-C Plus, you need to make the hole in the backside of cabinet and dispenser, after that, connect with detergent system.



www.lgcommerciallaundry.com