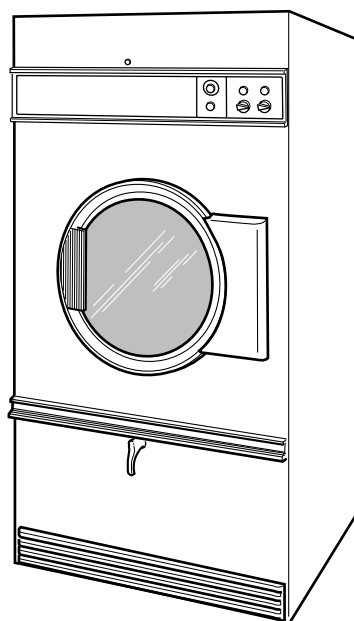


Drying Tumblers

50 and 75 Pound Capacity

Refer to Page 5 for Model Numbers



T012C_70410801

Table of Contents

Title	Page
Parts Ordering Information.....	3
Serial Plate Location	3
Model Identification	5
Control Panel Assembly for Rotary Coin Drop Models	6
Control Panel Components for DT, JT and ST Manual Timer Models.....	8
Control Panel Assemblies for DT, JT and ST Manual Timer Models.....	10
Control Panel Assembly for DC, JC and SC Manual Timer Models	12
Coin Meter	14
OPL 120 Volt Micro Control	16
OPL 24 Volt Micro Control	18
Network Board for NetMaster Models.....	20
Card Reader for NetMaster Models	22
Coin Drop for NetMaster Models	24
Network Interface Board for NetMaster Models.....	26
Front Control Box Components	28
Coin Vault and Coin Drawer	30
Access Panel and Top Cover	32
Front Panel and Door.....	34
Door Switch.....	36
Panels, Lint Hood Assembly and Lint Screen.....	38
Cylinder and Trunnion Assemblies	40
Trunnion Housing and Sprockets.....	42
Idler Drive Components for Nonreversing Belt/Chain Drive.....	44
Idler Drive Components for Nonreversing Belt/Belt Drive.....	46
Idler Housing Assembly For Nonreversing Belt/Belt Drive.....	48
Idler Drive Components For Belt/Chain Drive - Reversing Models.....	50
Idler Drive Components For Belt/Belt Drive - Reversing Models	52
Idler Housing Assembly for Reversing Belt/Belt Drive	54
Fan and Motor Components - All Models Except FG and 634.....	56
Fan Motors with Standard Connection - 50 Pound Models Through Serial No. 684487YA.....	58
Fan Motors with Quick Connect - 50 Pound Models Starting Serial No. 684487YA.....	60
Motor Components - 75 Pound Models Except FG and 634	62
Fan and Motor Components - FG and 634 Models	64
Cylinder Drive Motor and Components for Models Through 1996.....	66
Cylinder Drive Motor and Components for Models Starting 1996.....	68
Cylinder Motor Bracket - Models Through 1995	70
Airflow Switch Assembly	72
Standing Pilot Ignition Burner Assembly - 50 Pound Models.....	74
Standing Pilot Ignition Gas Valve Components	76
Automatic Pilot Ignition Burner Assembly - 50 Pound Models.....	78
Glow Bar Ignition Burner Assembly - 50 Pound Models Starting Jan 1982 (PA) Through Aug 1982 (PH).....	80

© Copyright 2018, Alliance Laundry Systems LLC

All rights reserved. No part of the contents of this book may be reproduced or transmitted in any form or by any means without the expressed written consent of the publisher.

Glow Bar Ignition Gas Valve Components - 50 Pound Models.....	82
Glow Bar Ignition Burner Assembly	84
Glow Bar Ignition Gas Valve Coil and Wires.....	86
Instant Electronic Ignition Burner Assembly	88
Gas Burner Components for Electronic Ignition.....	90
Instant Electronic Ignition Gas Valve Coil and Wires	92
Burner Assembly for Australian Models	94
Gas Valve Assembly for Dungs/B-M System.....	96
Gas System	98
Burner Orifices - DT, JT, ST and TKD Models.....	100
Electric Heater Components and Thermostat (Drawing 1 of 3)	102
Electric Heater Components and Thermostat (Drawing 2 of 3)	104
Electric Heater Components and Thermostat (Drawing 3 of 3)	106
Electric Heat Contactor Box Components	108
Steam Heater and Valve	110
Cabinet High Limit Thermostat and Backdraft Damper.....	112
Warning Labels	114
Reversing Control	116
Contactor Box Assembly Harnesses for OM Control Suffix	118
Contactor Box Assembly (Drawing 1 of 10)	120
Contactor Box Assembly (Drawing 2 of 10)	122
Contactor Box Assembly (Drawing 3 of 10)	124
Contactor Box Assembly (Drawing 4 of 10)	126
Contactor Box Assembly (Drawing 5 of 10)	128
Contactor Box Assembly Harnesses for CD, MM and MT Control Suffixes.....	130
Contactor Box Assembly (Drawing 6 of 10)	132
Contactor Box Assembly (Drawing 7 of 10)	134
Contactor Box Assembly (Drawing 8 of 10)	136
Contactor Box Assembly (Drawing 9 of 10)	138
Contactor Box Assembly (Drawing 10 of 10)	140
Accessory Box	142
Junction Box	144
Parts Index.....	147

Parts Ordering Information

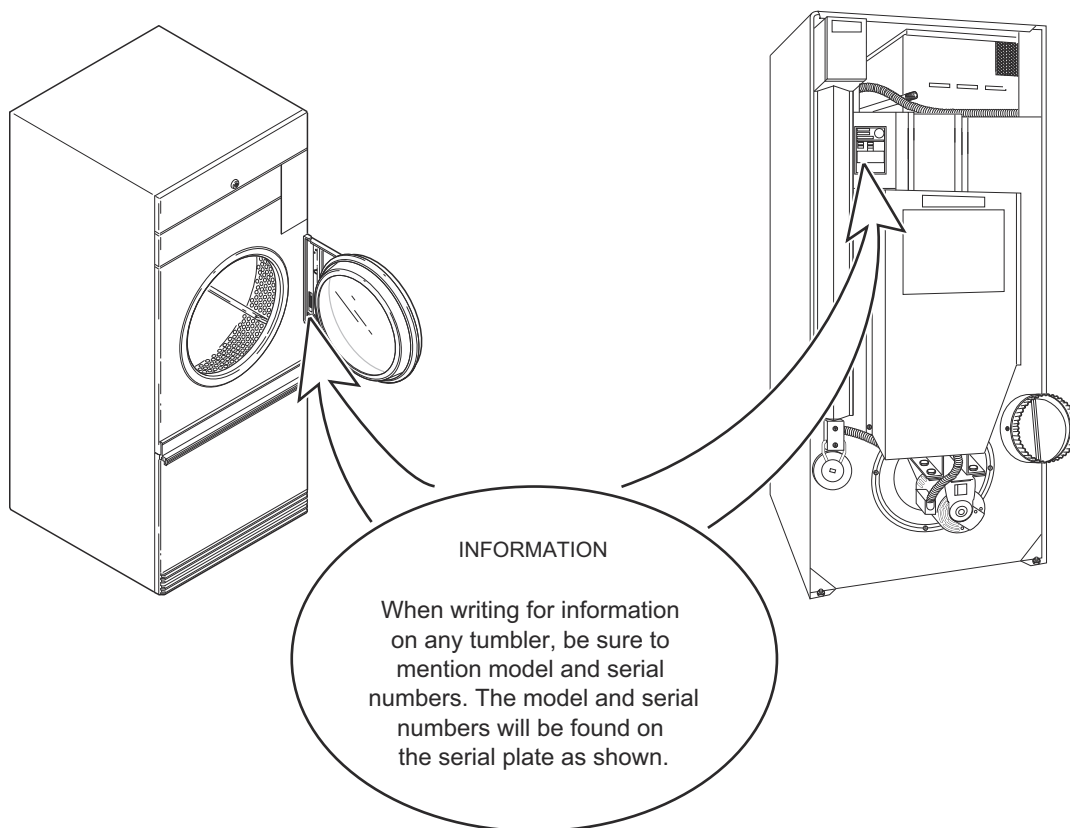
If literature or replacement parts are required, contact the source from whom the machine was purchased or contact Alliance Laundry Systems at (920) 748-3950 for the name and address of the nearest authorized parts distributor.

For technical assistance, call the number listed below:

(920) 748-3121 Ripon, Wisconsin

Serial Plate Location

When calling or writing about your product, be sure to mention model and serial numbers. Model and serial numbers are located on serial plate(s) as shown.



T419IE3A_70410801

Model Identification

Information in this manual is applicable to these tumbler models:

DCB50CE	JC50CE	JT50CE	SC50CE	ST50CE
DCB50CG	JC50CG	JT50CG	SC50CG	ST50CG
DCB50CSH	JC50CSH	JT50CGI	SC50CSH	ST50CGI
DCB50EG	JC50EG	JT50CSH	SC50EG	ST50CSH
DCB75CE	JC75CE	JT50CSL	SC75CE	ST50EGI
DCB75CG	JC75CG	JT50EG	SC75CG	ST75CE
DCB75CSH	JC75CSH	JT50EGI	SC75CSH	ST75CG
DCB75CSL	JC75EG	JT75CE	SC75EG	ST75CSH
DCB75FG	JCB50CE	JT75CG	SCB50AT	ST75CSL
DTB50CE	JCB50CG	JT75CSH	SCB50CE	STB50CE
DTB50CG	JCB50CSH	JT75CSL	SCB50CG	STB50CG
DTB50CSH	JCB50EG	JT75EG	SCB50CSH	STB50CSH
DTB50CSL	JCB75CE	JTB50CE	SCB50EG	STB50CSL
DTB50EG	JCB75CG	JTB50CG	SCB75CE	STB50EG
DTB634	JCB75CSH	JTB50CSH	SCB75CG	STB634
DTB75CE	JCB75CSL	JTB50CSL	SCB75CSH	STB75CE
DTB75CG	JT37CE	JTB50EG	SCB75CSL	STB75CG
DTB75CSH	JT37CG	JTB75CE	ST37CE	STB75CSH
DTB75CSL	JT37CGI	JTB75CG	ST37CG	STB75CSL
DTB75EG	JT37CSH	JTB75CSH	ST37CGI	STB75EG
DTB75FG	JT37CSL	JTB75CSL	ST37CSH	TKD50CEMT
	JT37EG	JTB75EG	ST37CSL	TKD50CGMT
	JT37EGI		ST37EG	
			ST37EGI	

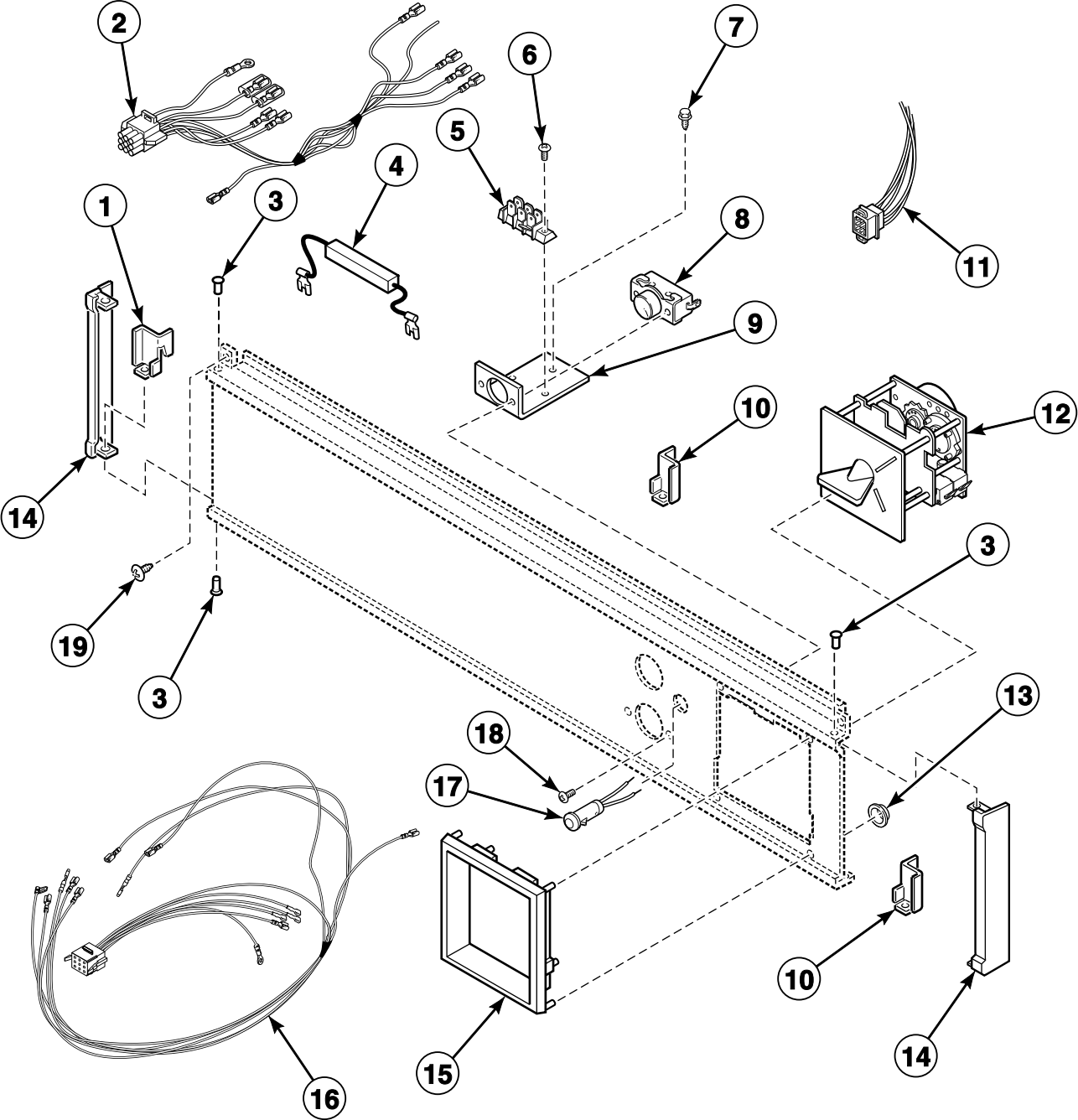
Control Suffixes:

CD – rotary coin drop
 MM – OPL micro
 MT – manual timer
 NC – NetMaster coin

NR – NetMaster card
 NX – NetMaster, prep for coin
 NY – NetMaster, prep for card
 OM – OPL micro

ZC – NetMaster network, coin
 ZR – NetMaster network, card
 ZX – NetMaster network, prep for coin
 ZY – NetMaster network, prep for card

Control Panel Assembly for Rotary Coin Drop Models



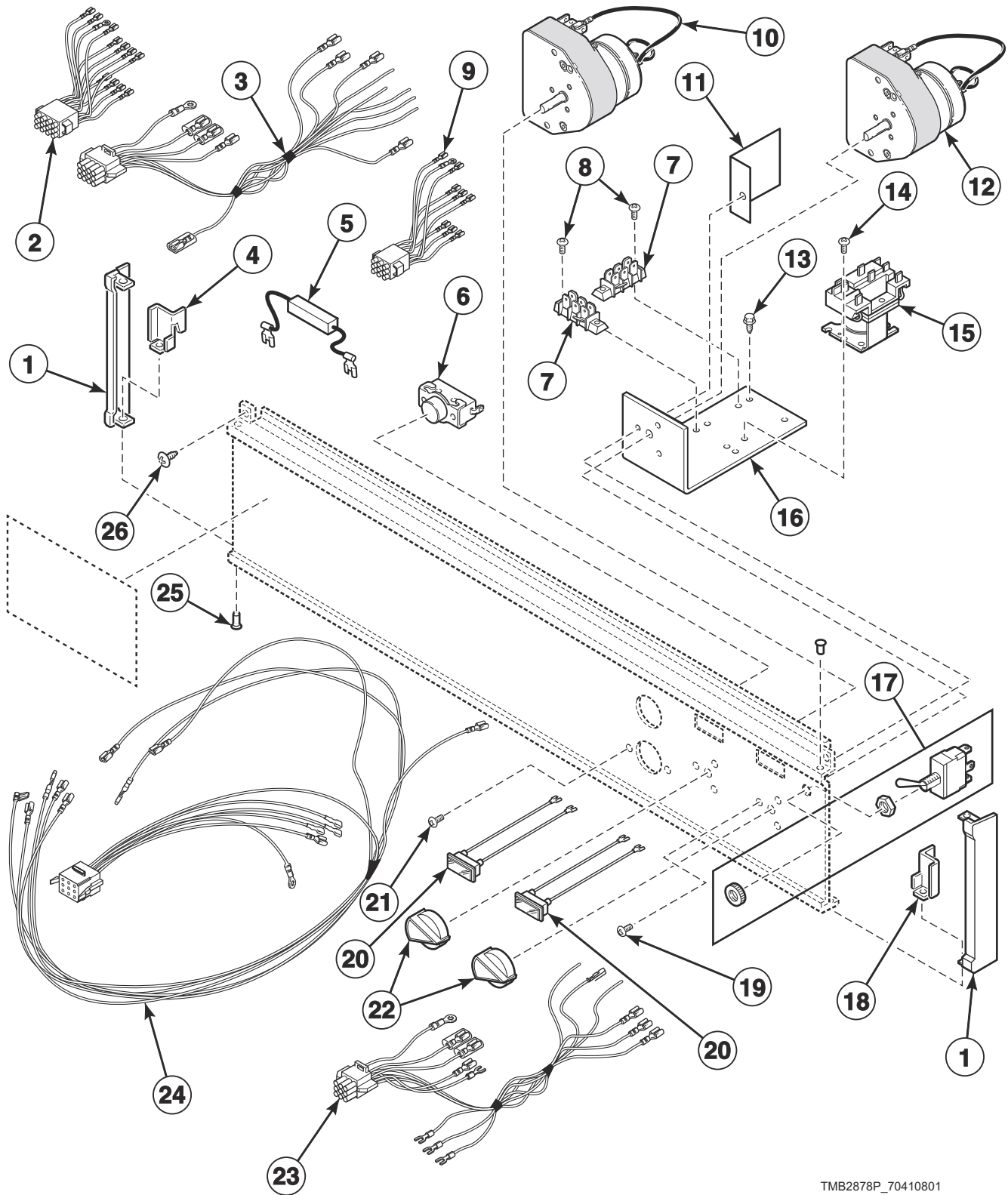
TMB2504P_70410801

Control Panel Assembly for Rotary Coin Drop Models

REF	PART NO.	DESCRIPTION	COMMENTS
1	M401301	Control Panel Retainer	Left
2	M405871P	Control Harness	CG and EG models; Coin; Front control box to rear junction box
3	M405750	Pop Rivet	
4	M400527	Resistor Assembly	For 208-240 Volt/60 Hertz Greenwald timers
5	N/A	Terminal Block	
6	M400071	Screw	
7	M402917	Screw	Ground
8	44106901P	Push-to-Start Switch Kit	
9	N/A	Bracket	
10	M401302	Control Panel Retainer	Right
11	M403924P	Control Panel Wire Harness Assembly	
12	M402508-12	Coin Meter	South Africa; .20/10 minutes
	M402508-14	Coin Meter	Japan; 100 yen/10 minutes
	N/A	Coin Meter	Australia; .20/5 minutes
	N/A	Coin Meter	France; 2 franc/10
	N/A	Coin Meter	South Africa; .50/15 minutes
	N/A	Coin Meter	Token; STD 118-5/10
	N/A	Coin Meter	Token; STD 118-5
	M402508-34	Coin Meter	Danish; Krone/5 minutes
	M402508-36	Coin Meter	Token; STD 118-1
	N/A	Coin Meter	Australia; \$1/15 minutes
	N/A	Coin Meter	Token; STD 118-1/15
	M405138P	Coin Meter	USA; \$.25/10 minutes; 120 Volt/60 Hertz
	M412546	Coin Meter	Token; STD118-1
	N/A	Coin Meter	Token; STD118-5
	N/A	Coin Meter	England; 20 pence
M402508-45	Coin Meter	Spain; 25 pesetas	
13	M400672	Nut	50 pound models
	M400675	Washer	75 pound models
14	N/A	End Cap	
15	N/A	Shadow Box	
16	N/A	Wire Harness Assembly	50 pound DC, JC and SC models; Front control box to rear junction box
17	M404151	Run Light	120 Volt control circuit
	N/A	Run Light	208-240 Volt control circuit
18	M400072	Screw	
19	33562	Screw	

N/A = Part no longer available

Control Panel Components for DT, JT and ST Manual Timer Models



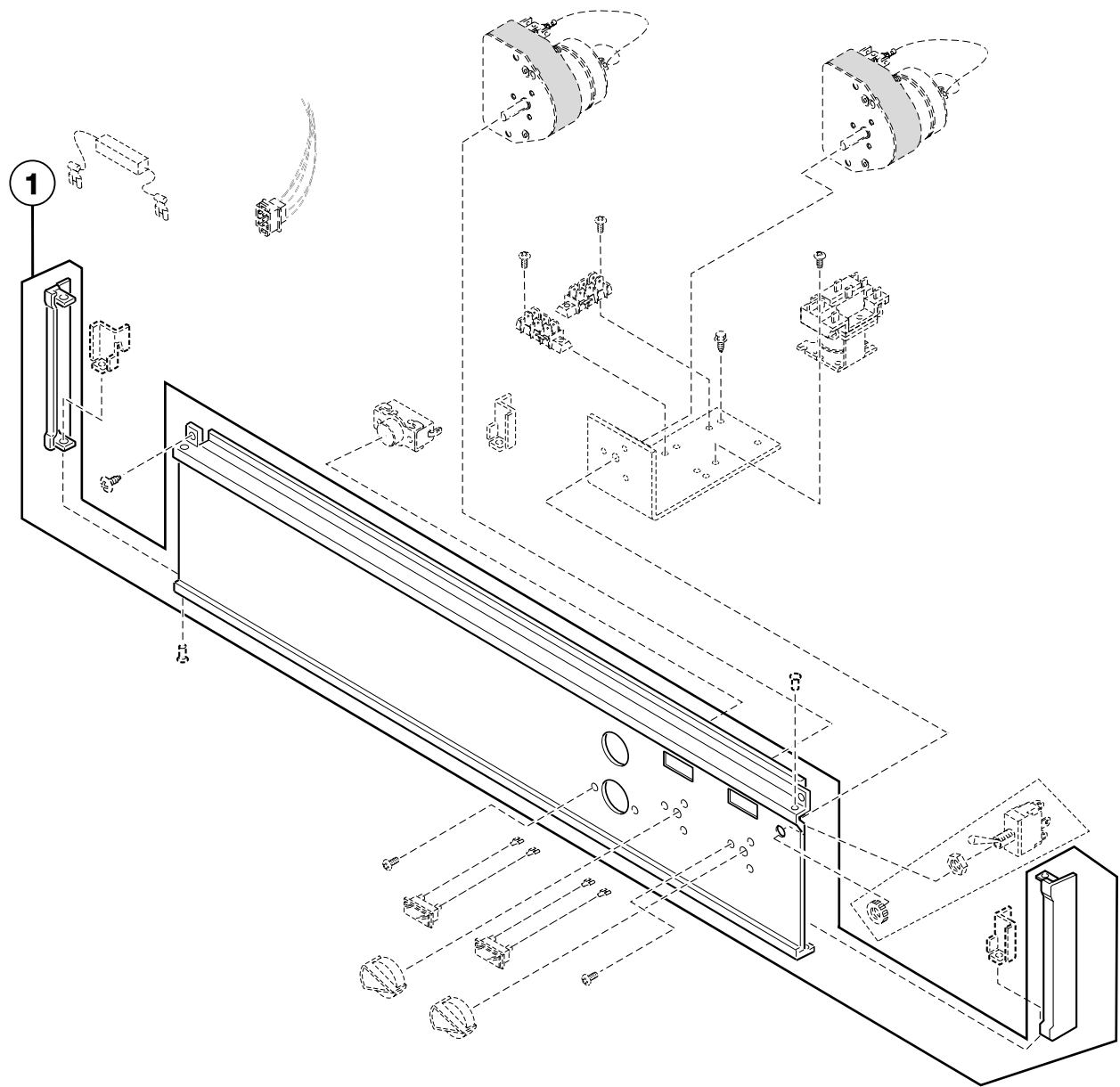
TMB2878P_70410801

Control Panel Components for DT, JT and ST Manual Timer Models

REF	PART NO.	DESCRIPTION	COMMENTS
1	N/A	End Cap	
2	M410488	Control Panel Wire Harness Assembly	Reversing; Gas models; 208-240 Volt/60 Hertz/3 Phase; Front control box to rear junction box
	M405372	Wire Harness Assembly	Reversing; Gas models; 50 Hertz; Front control box to rear junction box
3	N/A	Control Wire Harness Assembly	Reversing; Gas models; 50 Hertz
	M410487	Control Wire Harness Assembly	Reversing; Gas models; 208-240 Volt/60 Hertz/3 Phase
	N/A	Control Box Wire Harness Assembly	Reversing; Electric and steam models; Front control box to rear junction box
4	M401301	Control Panel Retainer	Left
5	M410992	Resistor Assembly	Robert Shaw Mallory timer; 208-240 Volt/60 Hertz control circuit
	M400527	Resistor Assembly	Greenwald timer; 208-240 Volt
6	44106901P	Push-to-Start Switch Kit	
7	N/A	Terminal Block	208-240 Volt/50 or 60 Hertz
8	M400071	Screw	
9	M403924P	Control Panel Wire Harness Assembly	Nonreversing and coin
10	M410900P	Timer Kit	Cooling; 15 minute; 60 Hertz
	M410902P	Timer Kit	Cooling; 15 minute; 50 Hertz
11	N/A	Fishpaper	
12	M410901P	Timer Kit	Drying; 60 minute; 60 Hertz
	M410903P	Timer Kit	Drying; 60 minute; 50 Hertz
13	M402917	Screw	Ground
14	M400072	Screw	50 pound models
	51780	Screw	75 pound models
15	M400912P	Relay	120 Volt/60 Hertz
	M400911P	Relay	208-240 Volt/50 or 60 Hertz
16	N/A	Electrical Components Tray	
17	M400945	Toggle Switch	Reversing; Includes nuts
	M413270	Rocker Switch	Reversing
18	M401302	Control Panel Retainer	Right
19	M411052	Screw	
20	JST-163-2	Pilot Light	120 Volt/60 Hertz
	N/A	Pilot Light	208-240 Volt/50 or 60 Hertz
21	M400072	Screw	
22	M400773	Knob	DT and ST models except 634; Black with silver arrow
	M410927	Knob	JT models; Cocoa with white dot
23	N/A	Wire Harness Assembly	Gas models; 480 Volt/60 Hertz/3 Phase
24	N/A	Wire Harness Assembly	Nonreversing; Electric models; 480 Volt; Front control box to rear junction box
25	M405750	Pop Rivet	
26	33562	Screw	

N/A = Part no longer available

Control Panel Assemblies for DT, JT and ST Manual Timer Models



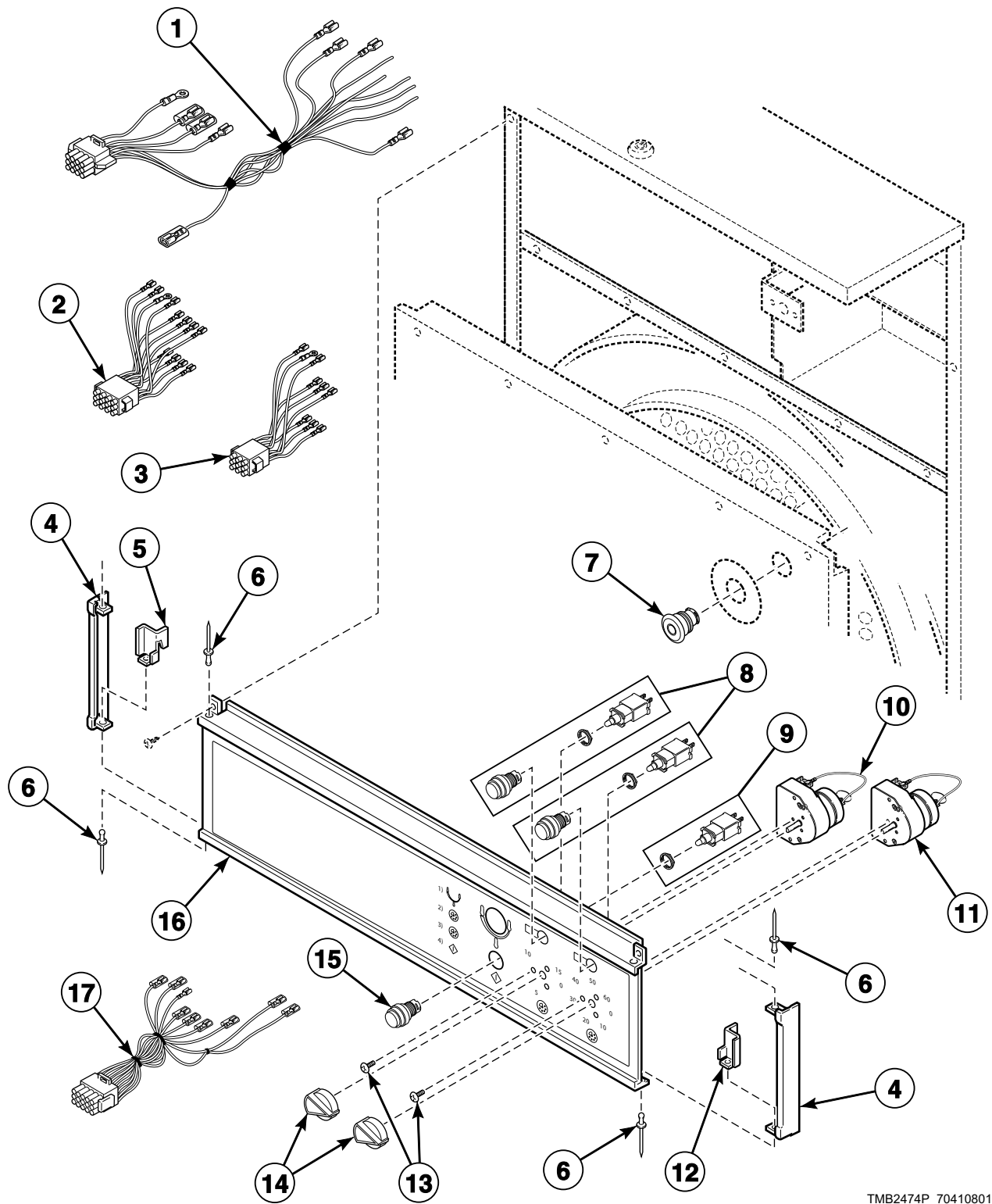
TMB2110P_70410801

Control Panel Assemblies for DT, JT and ST Manual Timer Models

REF	PART NO.	DESCRIPTION	COMMENTS
1	N/A	Control Panel Assembly	Nonreversing; JT models; Includes end caps
	M410660	Control Panel Assembly	Reversing; 75 pound JT models; Includes end caps
	M413315	Control Panel Assembly	Nonreversing; DT models; Includes end caps; Black
	M413316	Control Panel Assembly	Reversing; DT models; Includes end caps; Black
	N/A	Control Panel Assembly	Nonreversing; ST models; Includes end caps; Black
	N/A	Control Panel Assembly	Reversing; ST models; Includes end caps
	N/A	Control Panel Assembly	JT models
	N/A	Control Panel Assembly	Nonreversing; ST gas models; Black
	N/A	Control Panel Assembly	Nonreversing; ST electric models; Black
	N/A	Control Panel Assembly	Nonreversing; ST gas and steam models
	N/A	Control Panel Assembly	Nonreversing; ST steam models; Black
	N/A	Control Panel Assembly	Nonreversing; ST electric models; Black
	N/A	Control Panel Assembly	Reversing; ST models
	N/A	Control Panel Assembly	Nonreversing coin models; Includes end caps
	N/A	Control Panel Assembly	JT models; Includes end caps; Aluminum
	N/A	Control Panel Assembly	50 pound JT models; Includes end caps; Cocoa
	N/A	Control Panel Assembly	Reversing; ST models; Includes end caps; Black
	N/A	Control Panel Assembly	Reversing; JT models; Includes end caps; Cocoa
	N/A	Control Panel Assembly	Reversing; JT models; Includes end caps; Aluminum
	N/A	Control Panel Assembly	DT models; Includes end caps; Black; Icon
	M414906	Control Panel Assembly	Dual timer
	M410680	Control Panel Assembly	50 pound JT CG and JTEG models; Includes control; Aluminum

N/A = Part no longer available

Control Panel Assembly for DC, JC and SC Manual Timer Models



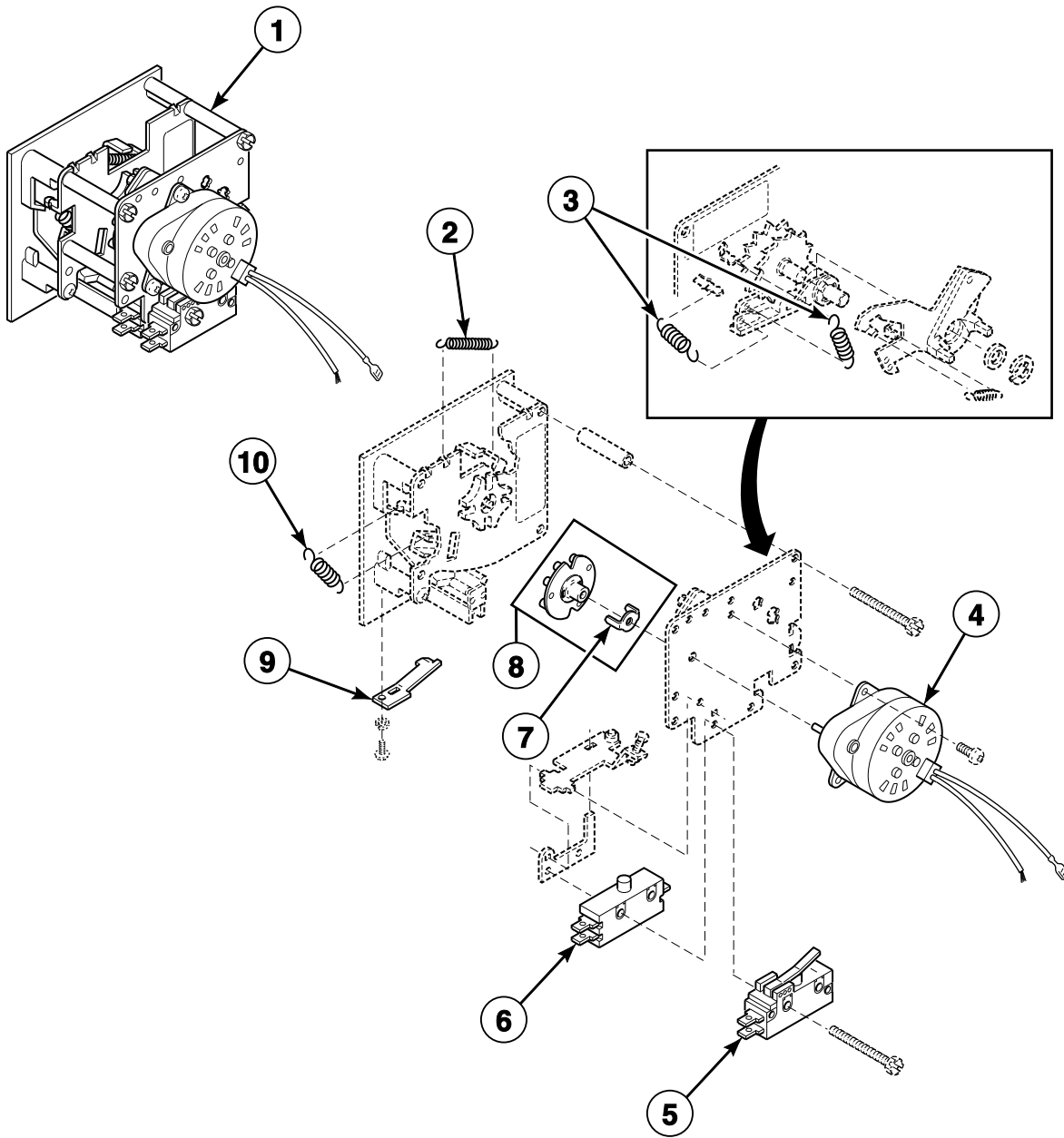
TMB2474P_70410801

Control Panel Assembly for DC, JC and SC Manual Timer Models

REF	PART NO.	DESCRIPTION	COMMENTS
1	N/A	Control Wire Harness Assembly	Reversing; Gas models; 50 Hertz
	N/A	Control Box Wire Harness Assembly	Reversing; Electric and steam models
	M410487	Control Wire Harness Assembly	Reversing; Gas models; 208-240 Volt/60 Hertz/3 Phase
2	M410488	Control Panel Wire Harness Assembly	Reversing; Gas models; 208-240 Volt/60 Hertz/3 Phase
3	M403924P	Control Panel Wire Harness Assembly	Nonreversing
4	N/A	End Cap	
5	M401301	Control Panel Retainer	Left
6	M405750	Pop Rivet	
7	44018701P	Emergency Stop Kit	
	44018801	Pushbutton	Emergency stop
8	N/A	Indicator Light	
9	M412230	Contact Block	Push-to-start
	44018701	Contact Block	
10	N/A	Timer	Drying; 60 minute; 24 Volt
11	M412079P	Timer	Cooling; 15 minute; 24 Volt
12	M401302	Control Panel Retainer	Right and center
13	M411052	Screw	
14	M400773	Knob	DC and SC models
	M410927	Knob	JC models
15	N/A	Pushbutton	Push-to-start
16	N/A	Control Panel Assembly	SC models; Includes end caps
	M414204	Control Panel Assembly	Reversing; SC models; Includes end caps
	N/A	Control Panel Assembly	JC models; Includes end caps
	N/A	Control Panel Assembly	Reversing; JC models; Includes end caps
	N/A	Control Panel Assembly	Reversing; DC models; Includes end caps
	N/A	Control Panel Assembly	DC models; Includes end caps
17	N/A	Panel Harness Assembly	Reversing

N/A = Part no longer available

Coin Meter



TMB2217P_70410801

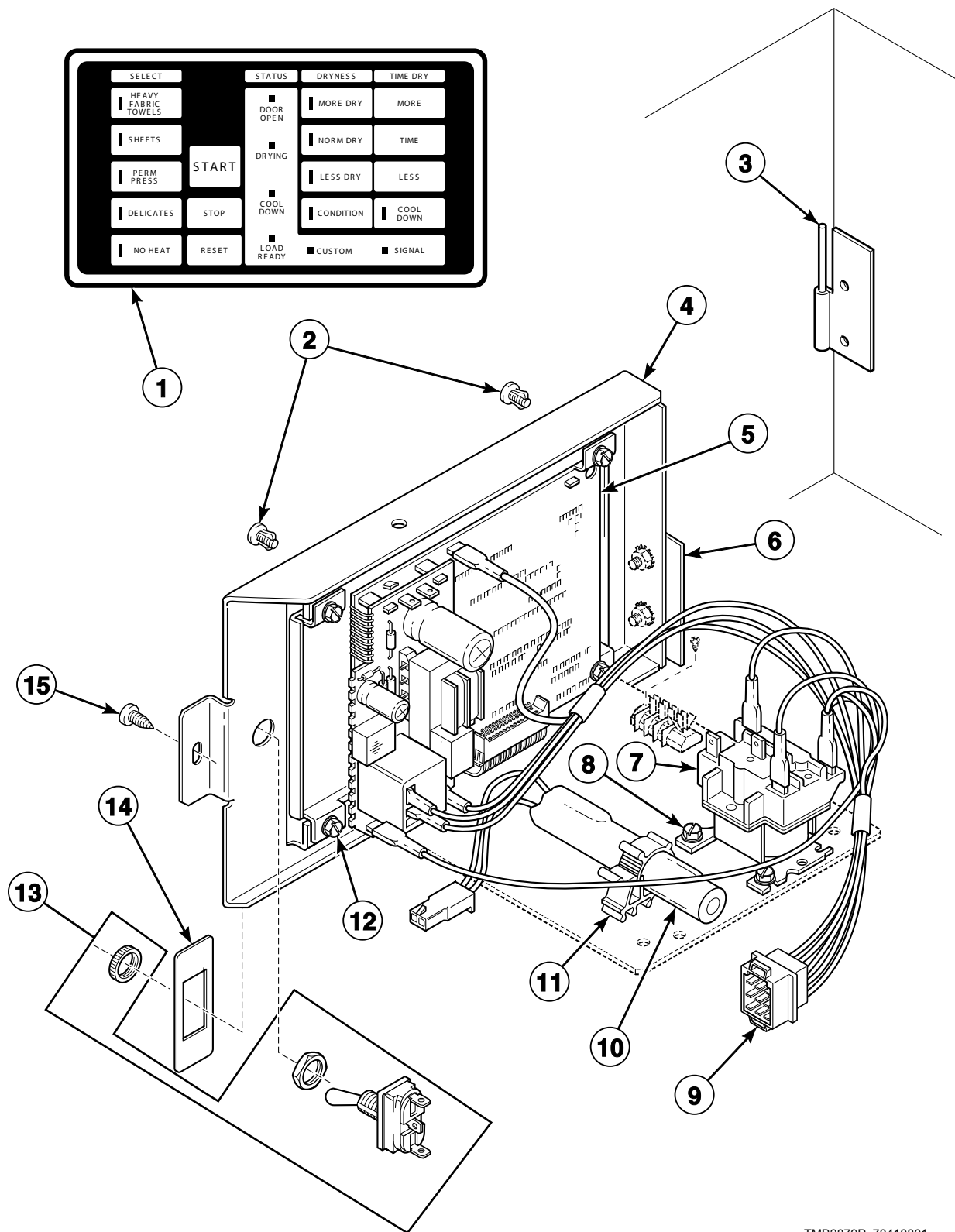
Coin Meter

REF	PART NO.	DESCRIPTION	COMMENTS
1	M402508-12	Coin Meter	South Africa; .20/10 minutes
	M402508-14	Coin Meter	Japan; 100 yen/10 minutes; 120 Volt/60 Hertz
	N/A	Coin Meter	Australia; .20/5 minutes
	N/A	Coin Meter	France; 2 franc/10, 2 french francs or 5 french francs
	N/A	Coin Meter	South Africa; .50/15 minutes
	N/A	Coin Meter	Token; STD 118-5
	M402508-34	Coin Meter	Denmark; Krone/5 minutes; Single coin drop is not available
	M402508-36	Coin Meter	50 pound models; Token; STD 118-1
	N/A	Coin Meter	Australia; \$1/15 minutes
	M405138P	Coin Meter	USA; \$.25/10 minutes; 120 Volt/60 Hertz
	N/A	Coin Meter	75 pound models; Token; STD118-5
	N/A	Coin Meter	75 pound models; Belgium; 5 Belgium francs and 5 francs; Single coin drop is not available
	N/A	Coin Meter	75 pound models; England; 20 pence
	N/A	Coin Meter	75 pound models; South Africa; Single coin drop; M411936 Front Plate
	N/A	Coin Meter	75 pound models; South Korea; 500 won; Single coin drop
	M402508-45	Coin Meter	75 pound models; Spain; 25 pesetas
	N/A	Coin Meter	75 pound models; Taiwan; 10 NT; Single coin drop
N/A	Coin Meter	75 pound models; Thailand	
2	M405138B	Return Spring	
3	M402455	Coil Spring	
4	M400609	Timer Motor	1/60 RPM; 120 Volt/60 Hertz
	M400611P	Motor	1/60 RPM; 240 Volt/60 Hertz
	M410789	Timer Motor	1/30 RPM; 240 Volt/50 Hertz
5	M400947	Switch	Heat
6	N/A	Single Throw Switch	Run
7	M400754	Coin Meter Drive	Timing cam fork
8	M400734P	Timing Cam	2 pin
	M400735P	Timing Cam	3 pin
	M400736P	Timing Cam	4 pin
	M400737P	Timing Cam	5 pin
	M400738P	Timing Cam	6 pin
	M400739P	Timing Cam	7 pin
	M400740P	Timing Cam	8 pin
	M400741P	Timing Cam	9 pin
	M400732P	Timing Cam	10 pin
	M400733P	Timing Cam	12 pin
9	M406297	Coin Retainer Spring	
10	M405138A	Coin Carrier Spring	

N/A = Part no longer available

OPL 120 Volt Micro Control

MM Control Suffix



TMB2879P_70410801

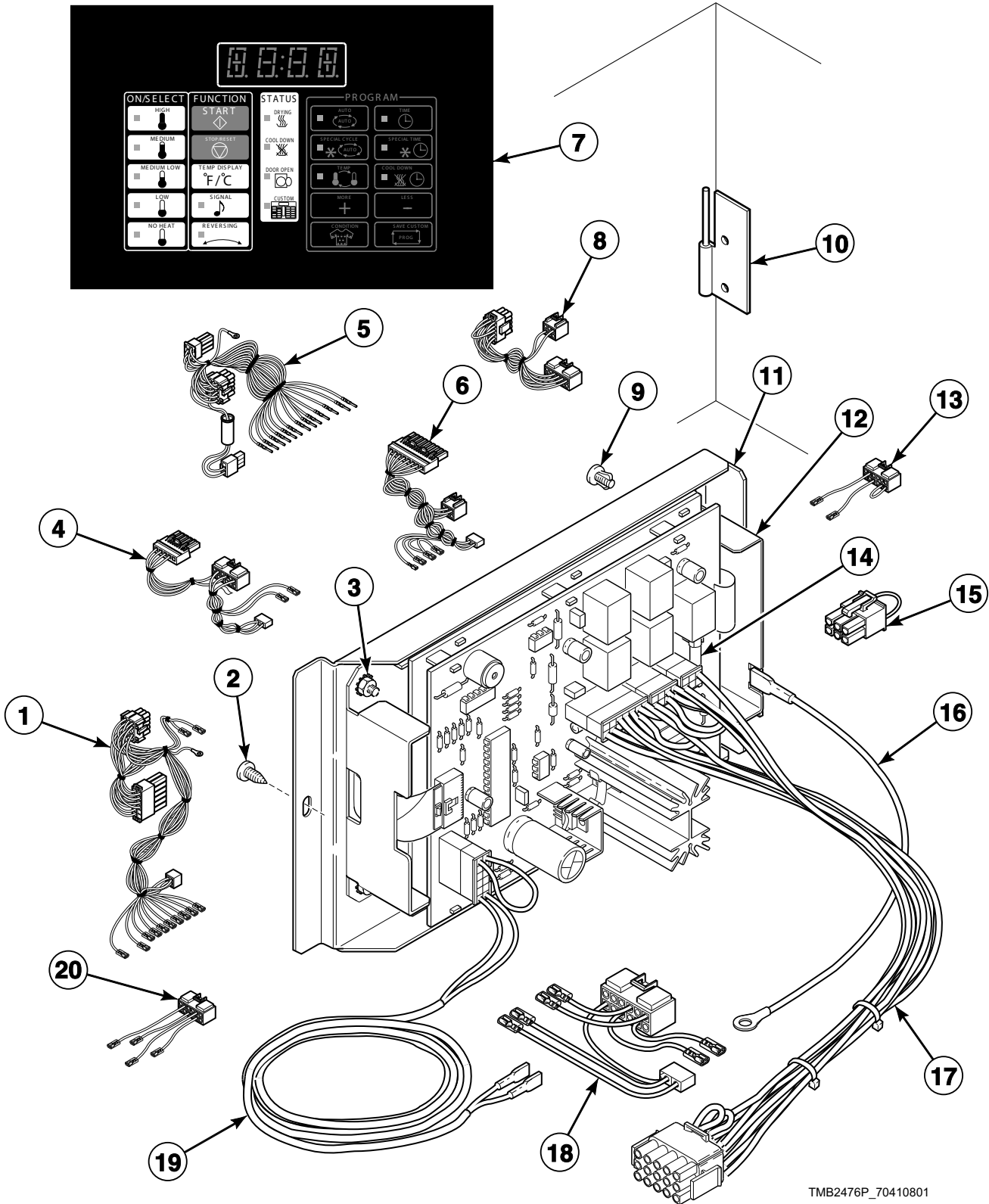
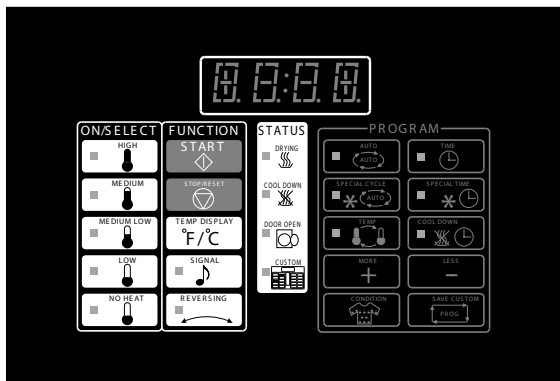
OPL 120 Volt Micro Control

REF	PART NO.	DESCRIPTION	COMMENTS
1	N/A	Microprocessor Overlay	ST models
	N/A	Microprocessor Overlay	JT models
	M412961	Microprocessor Overlay	DT models
2	N/A	Hole Plug	
3	N/A	Hinge	Male
4	M410800	Mounting Plate	
	M413397	Mounting Plate	
5	N/A	Control and Carton Kit	120 Volt
6	N/A	Hinge	Female
7	M400912P	Relay	120 Volt/1 Phase; CR2
8	M400044	Screw	
9	N/A	Control Box Wire Harness Assembly	Nonreversing; 1 Phase
	M411073	Control Box Wire Harness Assembly	Nonreversing; 3 Phase
	N/A	Control Box Wire Harness Assembly	Reversing; 3 Phase
10	N/A	Battery	
11	N/A	Clamp	
12	N/A	Screw	
13	M400945	Toggle Switch	Reversing
	M413270	Rocker Switch	Reversing
14	N/A	Switch Plate	
	M413236	Switch Plate	Reversing; 50 pound models
15	M400664	Screw	

N/A = Part no longer available

OPL 24 Volt Micro Control

OM Control Suffix



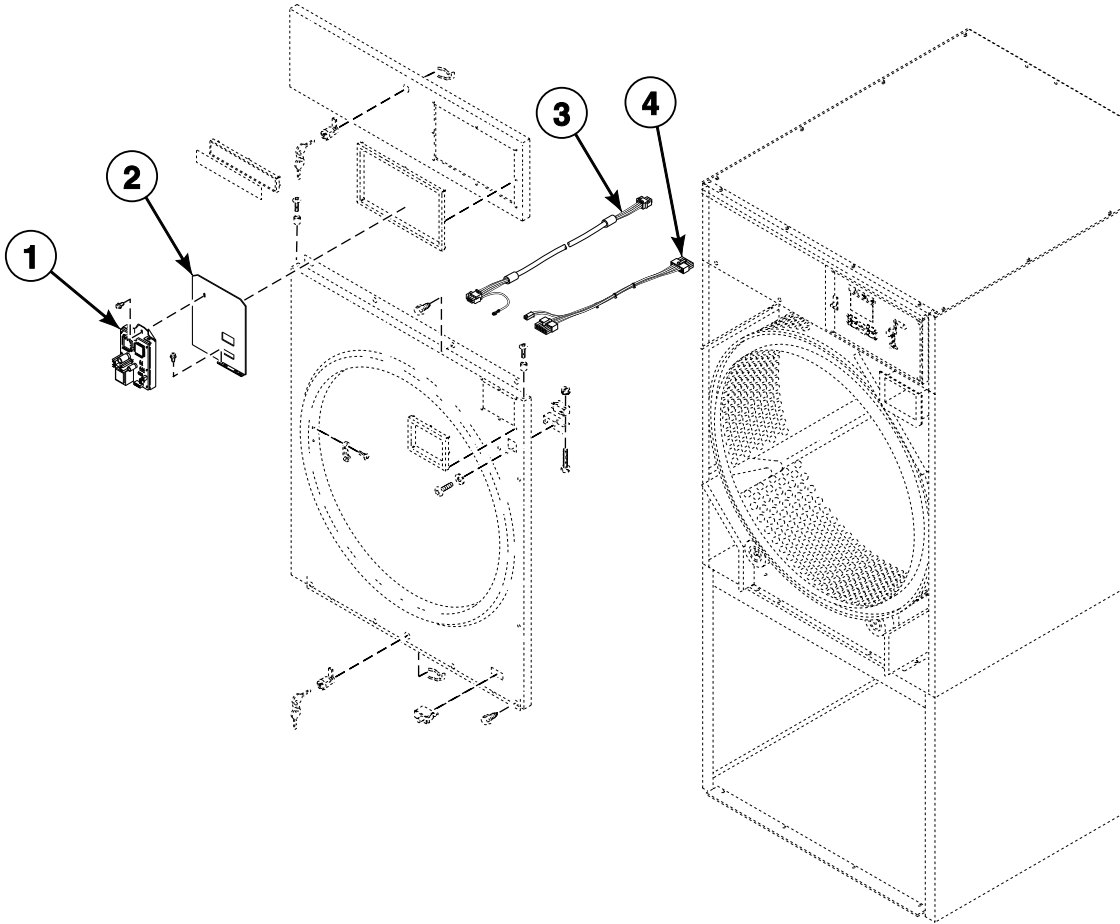
TMB2476P_70410801

OPL 24 Volt Micro Control

REF	PART NO.	DESCRIPTION	COMMENTS
	M414368P	Membrane Switch	
1	M413676P	Main Harness Assembly	DT, JT, ST and TKD models
2	430497	Screw	
3	70054	Nut	
4	M413678P	Control Box Harness Assembly	634 models
5	44098801	Main Harness	75 pound DC, JC and SC models
6	M413993	Control Box Harness Assembly	DC, JC and SC gas models; 50 Hertz/1 Phase
7	M413417	Microprocessor Overlay	STB models; Nonreversing
	N/A	Microprocessor Overlay	STB models; Reversing
	70115801	Overlay	SC, SCB and ST models; Nonreversing
	70128401	Overlay	SC, SCB and ST models; Reversing
	N/A	Microprocessor Overlay	JTB models; Nonreversing
	N/A	Microprocessor Overlay	JTB models; Reversing
	M413425	Microprocessor Overlay	DT models; Nonreversing
	M413426	Microprocessor Overlay	DT models; Reversing
	N/A	Microprocessor Overlay	DC models; Nonreversing; Icon
	N/A	Microprocessor Overlay	DC models; Reversing; Icon
	M413423	Microprocessor Overlay	JCB models; Nonreversing; Icon
	N/A	Microprocessor Overlay	JCB models; Reversing; Icon
	8	N/A	Control Panel Harness Assembly
9	N/A	Hole Plug	
10	N/A	Hinge	Male
11	M413738	Micro Mounting Assembly	Includes hinge, plate and hardware
12	70228401P	Control Kit	24 Volt; 50 or 60 Hertz
13	M413679	Control Box Harness Assembly	Steam models
14	M414104	Fuse	50 pound models; 2 Amp; Located on back of control
	70406501	Fuse	75 pound models; 1.25 Amp
15	M413168	Bypass Harness Assembly	CG, CSH, CSL and electric models; Reversing
16	M412645	Jumper Wire Assembly	Ground
17	M413677	Micro Harness Assembly	
18	M413824	Control Box Harness Assembly	Gas models; Australian
19	M413559P	Sensor Cable Harness	50 pound models; Nonreversing
	N/A	Sensor Cable Harness Assembly	50 pound models; Reversing
	44342602P	Sensor Cable Harness	75 pound models; Nonreversing
	N/A	Sensor Cable Harness Assembly	75 pound models; Reversing
20	M413680	Control Box Harness Assembly	Electric models; Stove limit and fuse holder to main harness

N/A = Part no longer available

Network Board for NetMaster Models

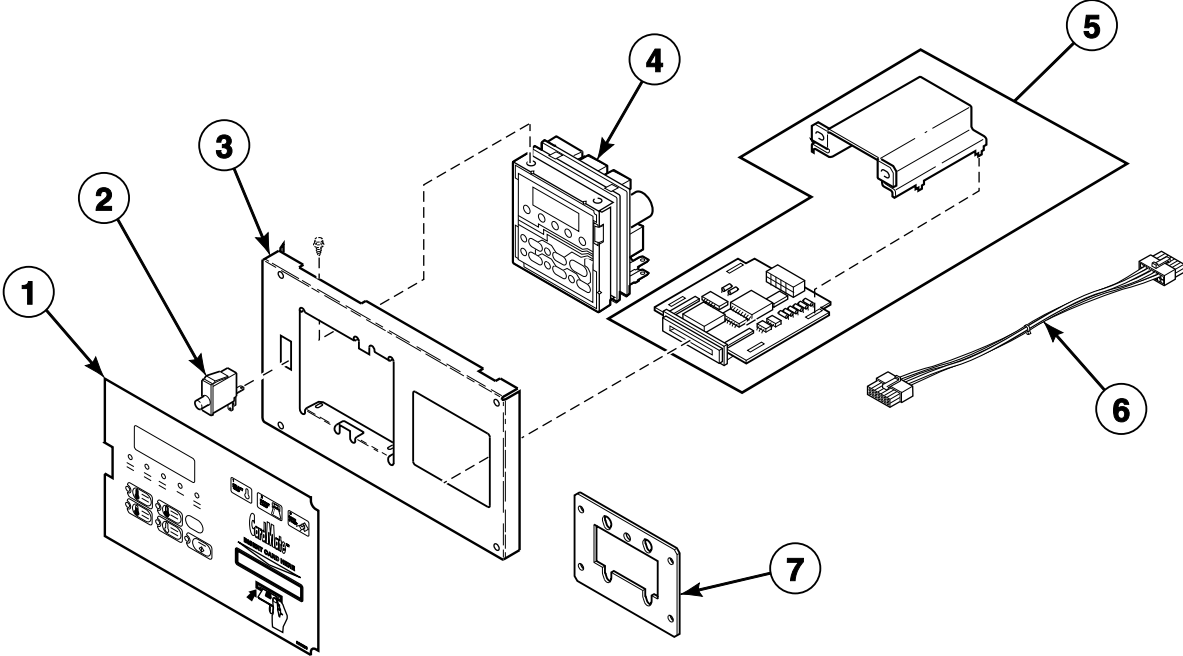


TMB2508P_70410801

Network Board for NetMaster Models

REF	PART NO.	DESCRIPTION	COMMENTS
1	210016P	Network Board Assembly	
2	70201401	Network Plug Support	
3	M414875P	Communication Cable	Network
4	800217	Network Wire Harness Assembly	

Card Reader for NetMaster Models



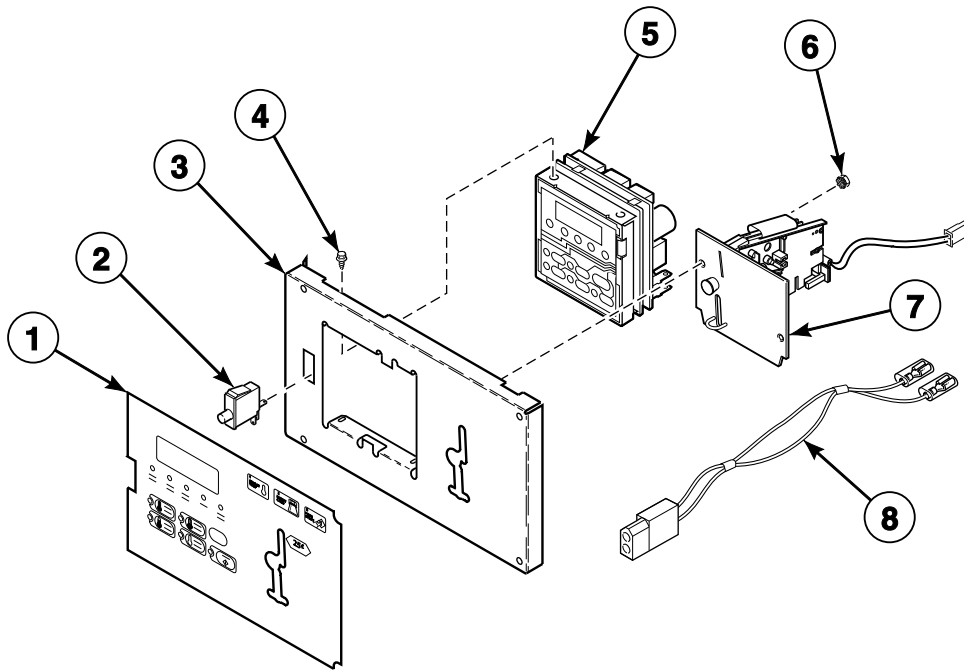
TMB2509P_70410801

Card Reader for NetMaster Models

REF	PART NO.	DESCRIPTION	COMMENTS
1	N/A	Overlay	ST models; Card reader ready
	70184401	Overlay	ST models; Card reader
	N/A	Overlay	JT models; Card reader
	N/A	Overlay	JT models; Card reader ready
2	70413301	Pushbutton Switch	
3	N/A	Control Plate Assembly	Card reader
	70348801	Control Plate Assembly	Card ready
4	D505905P	Control Kit	Electronic
5	D510068P	Card Reader and Bracket Assembly	
6	70206601	Card Reader Network Harness Assembly	
	70211801	Card Reader Harness Assembly	
7	70208801	Mounting Plate	

N/A = Part no longer available

Coin Drop for NetMaster Models

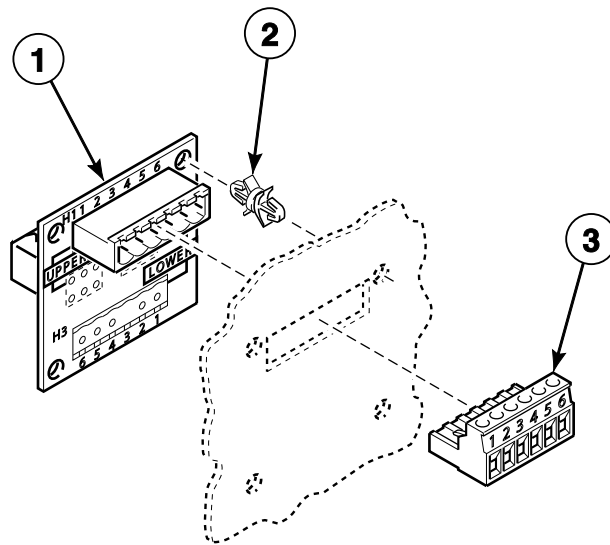


TMB2510P_70410801

Coin Drop for NetMaster Models

REF	PART NO.	DESCRIPTION	COMMENTS
	M4686P3	Electronic Coin Control Kit	DT, JT, ST and T models
1	70184301	Overlay	ST models; English; Single drop
	70184302	Overlay	ST models; Dual drop
	70239601	Overlay	JT models; Single drop
	70239602	Overlay	JT models; Dual drop
2	70413301	Pushbutton Switch	
3	70175807	Control Plate Assembly	
4	D501524	Screw	
5	D505905P	Control Kit	Electronic
6	70054	Nut	
7	70256402P	Coin Drop	USA; Dual drop; \$.25 and \$1.00
	70441601P	Coin Drop	USA; \$.25
	38475	Coin Drop Assembly	Japan; 100 yen
	38519	Coin Drop Assembly	Japan
8	M414305P	Coin Vault Jumper Wire	Coin and coin ready

Network Interface Board for NetMaster Models

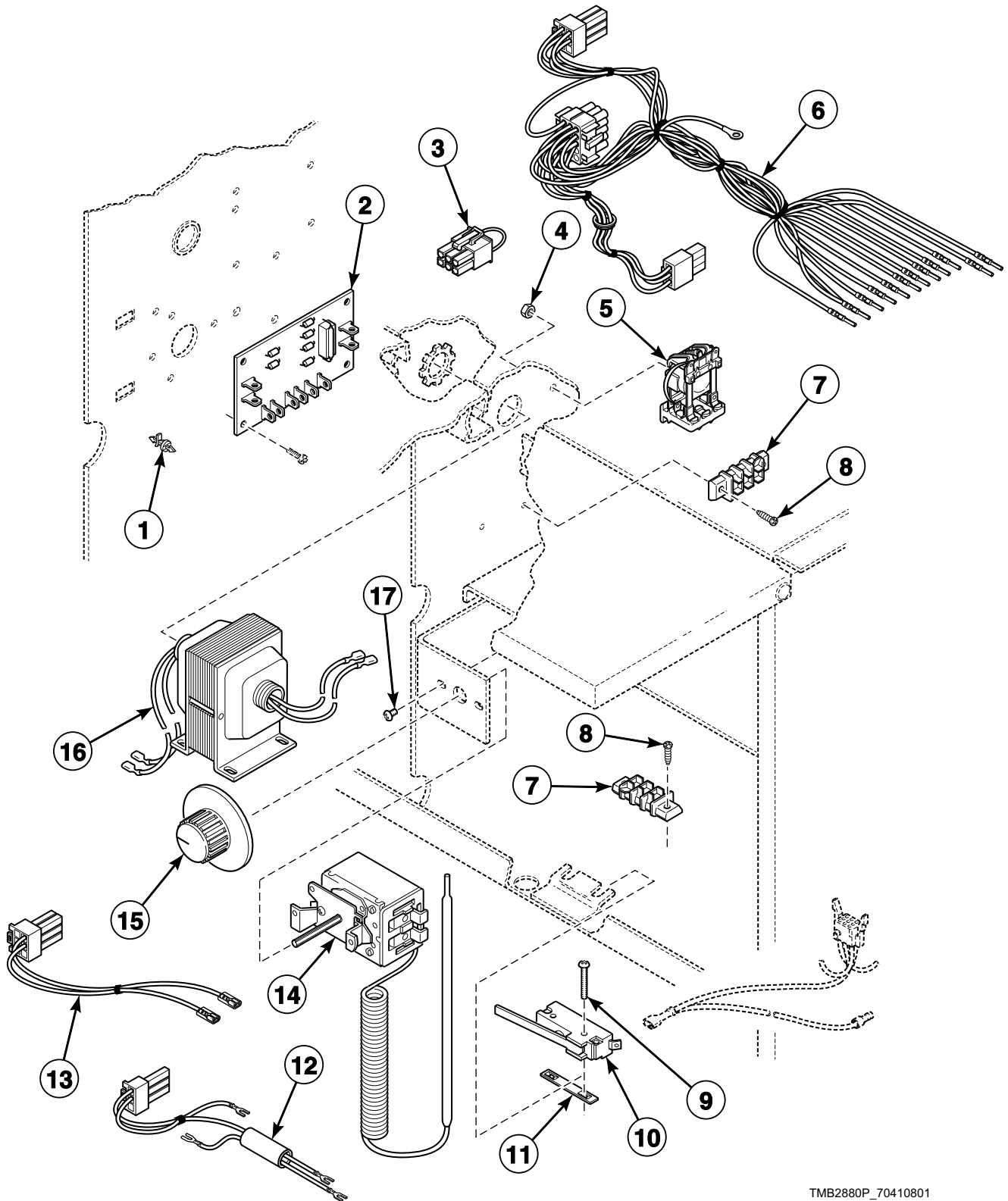


TMB1935P_70410801

Network Interface Board for NetMaster Models

REF	PART NO.	DESCRIPTION	COMMENTS
	210157P	Network Board	For desktop PC
	210165	Network Cable	For laptop PC
	210097	Communication Board	
1	210095P	Communication Board	
2	210098	PC Board Standoff	4 required per machine
3	210155	3 Circuit Data Connector	

Front Control Box Components



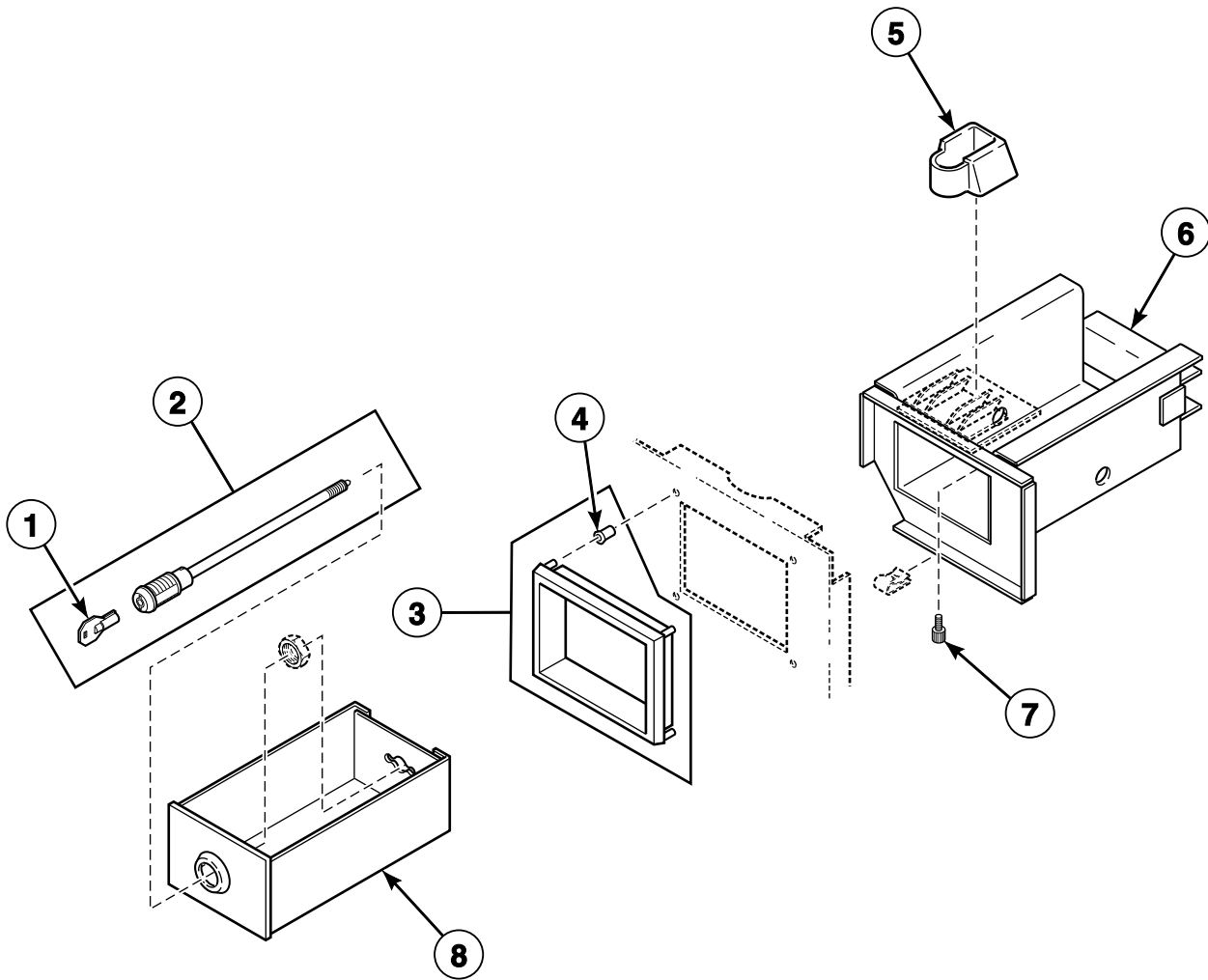
TMB2880P_70410801

Front Control Box Components

REF	PART NO.	DESCRIPTION	COMMENTS
1	M405979	Circuit Board Support	Gas models; White Rogers glow bar ignition
2	M405897P	Diode Logic Board	Gas models; White Rogers glow bar ignition
3	M413168	Bypass Harness Assembly	CG, CSH, CSL and electric models; OM control suffix
4	02788	Nut	Gas models; Johnson glow bar ignition
5	N/A	Relay	Gas models; Johnson glow bar ignition
6	M413546	Main Harness Assembly	75 pound DC, JC and SC steam models
7	N/A	Terminal Block	
8	M400071	Screw	
9	Q6516	Screw	
10	M400952	Door Switch	
11	M400981	Nut	
12	M412459	Door Switch Harness Assembly	75 pound DC, JC and SC models
13	N/A	Thermostat Harness Assembly	75 pound DC, JC and SC steam models; Manual timer and mechanical coin drop with bulb thermostat; 50 Hertz
14	M400780P	Temperature Control Thermostat	50 pound models; Adjustable
	M406959P	Temperature Control Thermostat	75 pound models; Adjustable
15	M400777	Knob	DT and ST models; Black
	N/A	Temperature Control Knob	JT models; Brown
16	M401199P	Transformer Kit	120 Volt Primary/24 Volt Secondary
	M401391P	Transformer	208-600 Volt Primary/110 Volt Secondary
	M402650P	Transformer	208-240 Volt Primary/24 Volt Secondary
17	M400072	Screw	

N/A = Part no longer available

Coin Vault and Coin Drawer



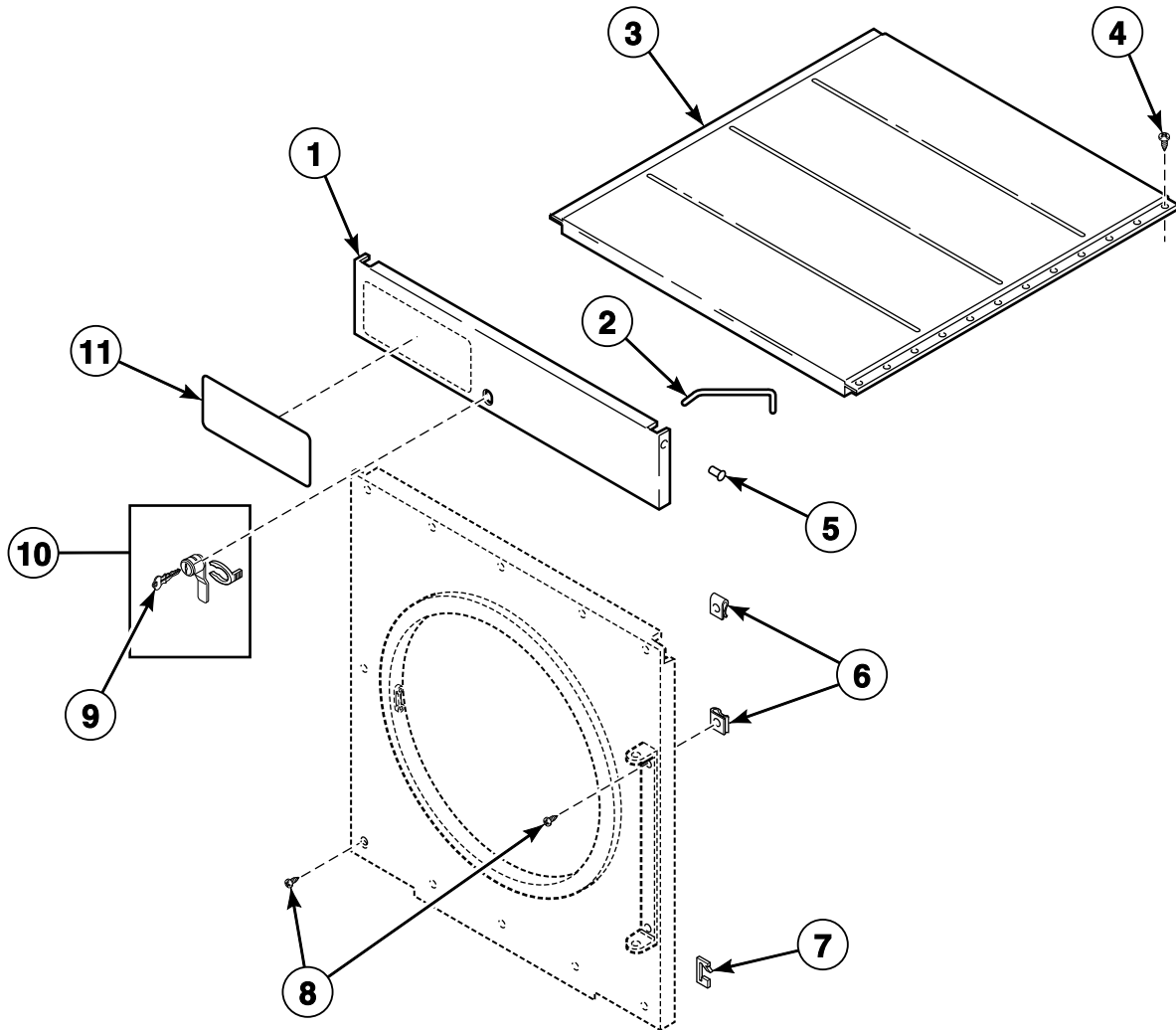
TMB2130P_70410801

Coin Vault and Coin Drawer

REF	PART NO.	DESCRIPTION	COMMENTS
1	M401701	Vault Key	Specify HMX key code; For coin drawer locks
2	M401581P	Lock and Key	Specify HMX key code; For short coin drawer
	N/A	Vault Lock	Specify HMX key code; For long coin drawer; Includes key
3	M400131P	Shadow Box and Clip	Coin drawer
4	M400972	Shadow Box Clip	
5	N/A	Coin Chute	
6	N/A	Coin Vault Guide Assembly	Short drawer; Models through Serial No. 9312xxxx
	44102801	Coin Vault Assembly	Long drawer; Models starting Serial No. 9401xxxx
7	N/A	Screw	
8	N/A	Coin Drawer Assembly	Short
	N/A	Coin Drawer Assembly	Long

N/A = Part no longer available

Access Panel and Top Cover



TMB2478P_70410801

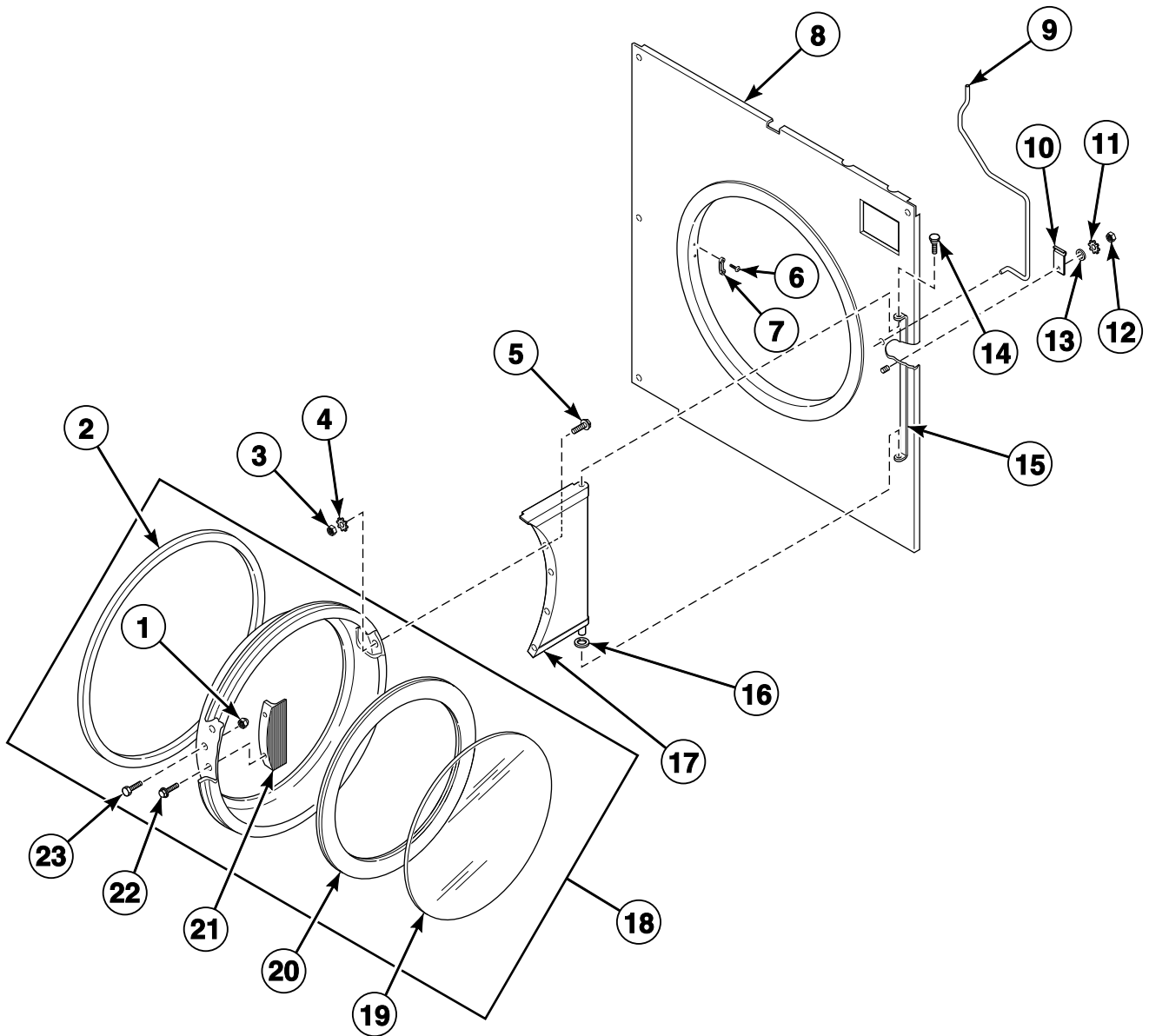
Access Panel and Top Cover

REF	PART NO.	DESCRIPTION	COMMENTS
	431287	Screw	Side panel; 7 per side
1	M414350	Top Front Panel	Manual dual timer and coin meter; Stainless steel
	M414349*P	Top Front Panel Assembly	DC, JC and SC electric and steam models; Manual dual timer and coin meter
	M410801*P	Top Front Access Panel	MM and OM control suffixes
	M410802	Top Front Access Panel	MM and OM control suffixes; Stainless steel
	N/A	Top Front Panel	DC, JC and SC gas models
2	N/A	Support Rod	
3	N/A	Top Cover Panel	50 pound models
	M403385	Top Cover Panel	75 pound models
4	430497	Screw	
5	M400713	Drive Rivet	
6	M400984	Clip	
7	N/A	Clip	
8	N/A	Screw	
9	M401680	Panel Key	HMV10
	M401677	Panel Key	HMV7
10	M406654P	Panel Lock	
11	M410355	Nameplate	ST models; Microprocessor
	N/A	Nameplate	JT models; Microprocessor
	M412963	Nameplate Overlay	DT models; Microprocessor

* Add Letter To Designate Color. L - Almond W - White

N/A = Part no longer available

Front Panel and Door



TMB2256P_70410801

Front Panel and Door

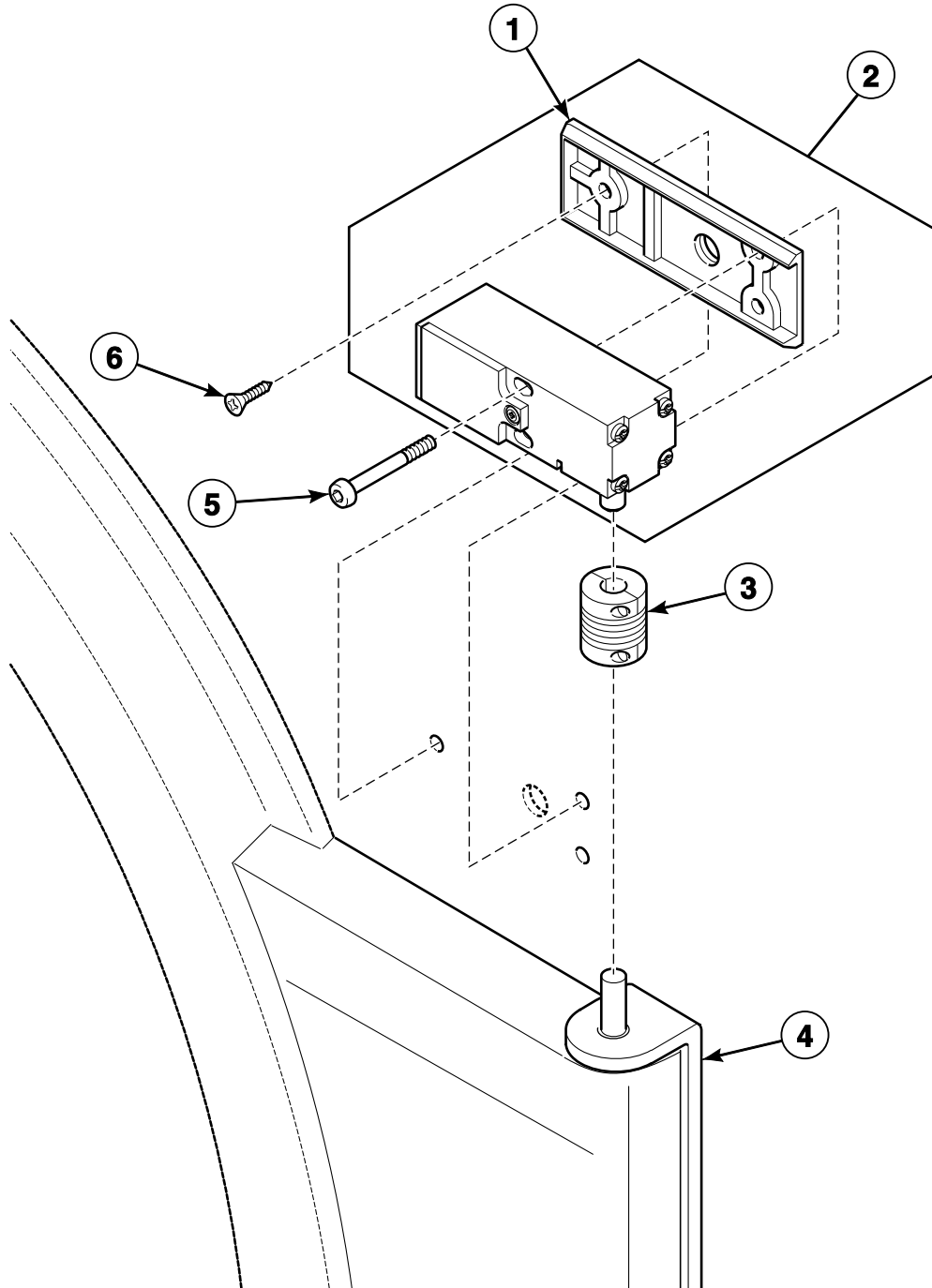
REF	PART NO.	DESCRIPTION	COMMENTS
	M4379P4	Tumbler Dolly Kit	
	70482901	Door Catch Kit	
1	M414215	Nut	For M400447 Door Assembly and M410887 Door Assembly
2	M406129	Door Ring Gasket	
3	Q6163	Nut	
4	03815	Washer	
5	M400044	Screw	
6	M400003	Pop Rivet	
7	M401223	Door Latch	
8	M411129*P	Front Panel Assembly	OPL
	M411132P	Front Panel Assembly	OPL; Stainless steel
	M412792*P	Front Panel Assembly	DC, JC and SC models
	M410758LP	Front Panel Assembly	Coin; 50 pound models
	M410877*P	Front Panel Assembly	Coin
	N/A	Front Panel Assembly	Coin; Stainless steel
9	M400603	Door Switch Rod	
10	M400402	Spring Clip	
11	M400017	Washer	
12	20275	Nut	
13	03189	Washer	
14	M400653	Hinge Pin	
15	431000*	Hinge Bracket	
	431044	Hinge Bracket	Stainless steel
16	M400675	Washer	
	M412530	Washer	DC, JC and SC models
17	M402714*	Door Hinge Assembly	
	M400514	Hinge Assembly	Stainless steel
	N/A	Door Hinge Assembly	DC, JC and SC models
18	M400447P	Door Assembly	Chrome handle
	M410887	Door Assembly	J models; Cocoa handle
	430475	Door Assembly	D, JCB and ST models; Bar handle
19	M400784P	Door Glass	DT and ST models
	70133601P	Door Glass	JT models; For M410887 Door Assembly
20	70211901P	Door Glass Seal Kit	
21	M400133	Door Handle	Chrome
	430117	Door Handle	DT and ST models; Bar type
	70133501P	Replacement Door Handle Kit	JT models; Cocoa
22	M409385	Screw	
23	M400661	Screw	Door strike

* Add Letter To Designate Color. L - Almond W - White

N/A = Part no longer available

Door Switch

DC, JC and SC Models



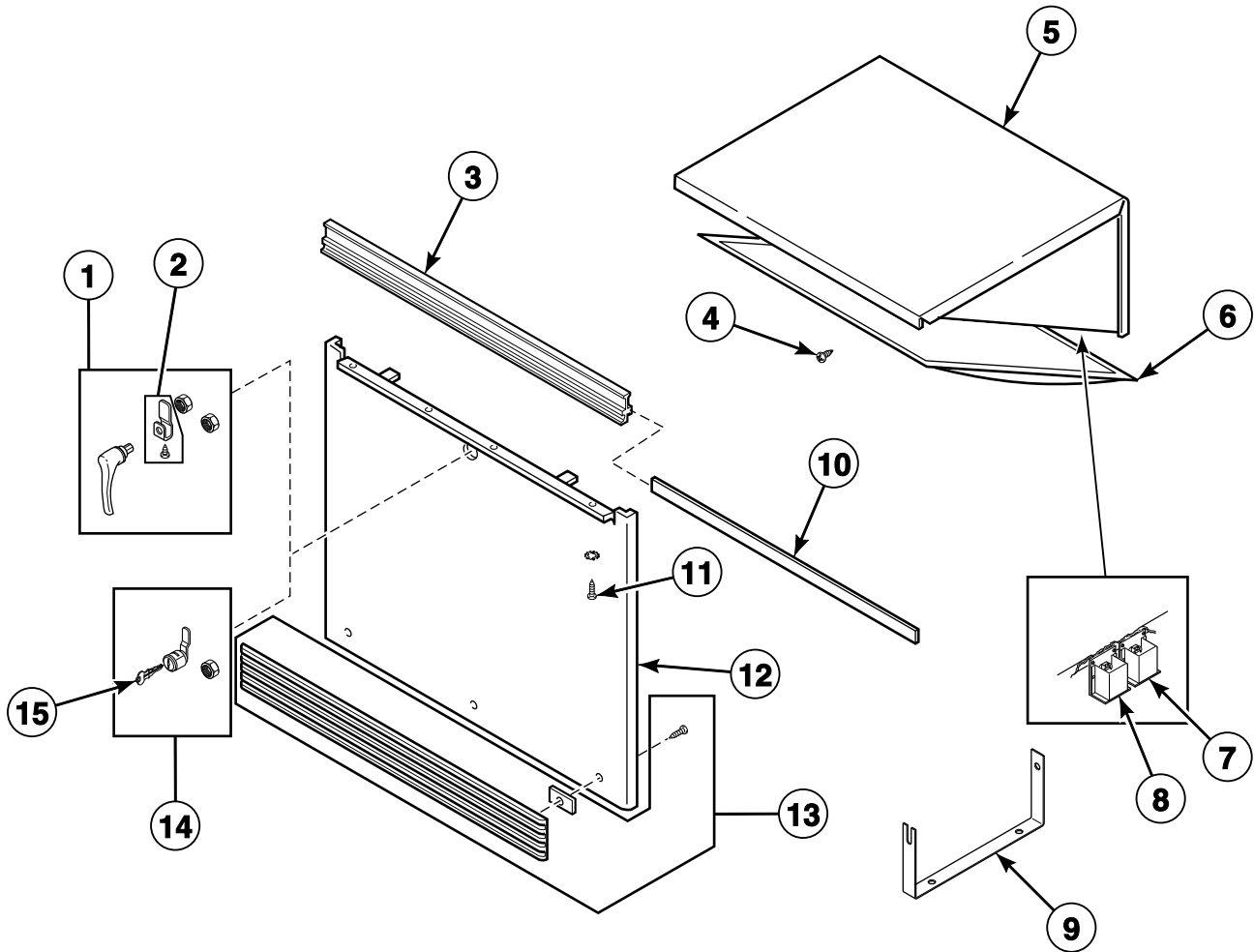
TMB2257P_70410801

Door Switch

REF	PART NO.	DESCRIPTION	COMMENTS
1	M412528	Switch Base	
2	M4842P3	Door Safety Switch Kit	Includes item 1
3	M412551	Flexible Coupler	
4	N/A	Door Hinge Assembly	
5	N/A	Screw	
6	M412531	Screw	

N/A = Part no longer available

Panels, Lint Hood Assembly and Lint Screen



TMB2503P_70410801

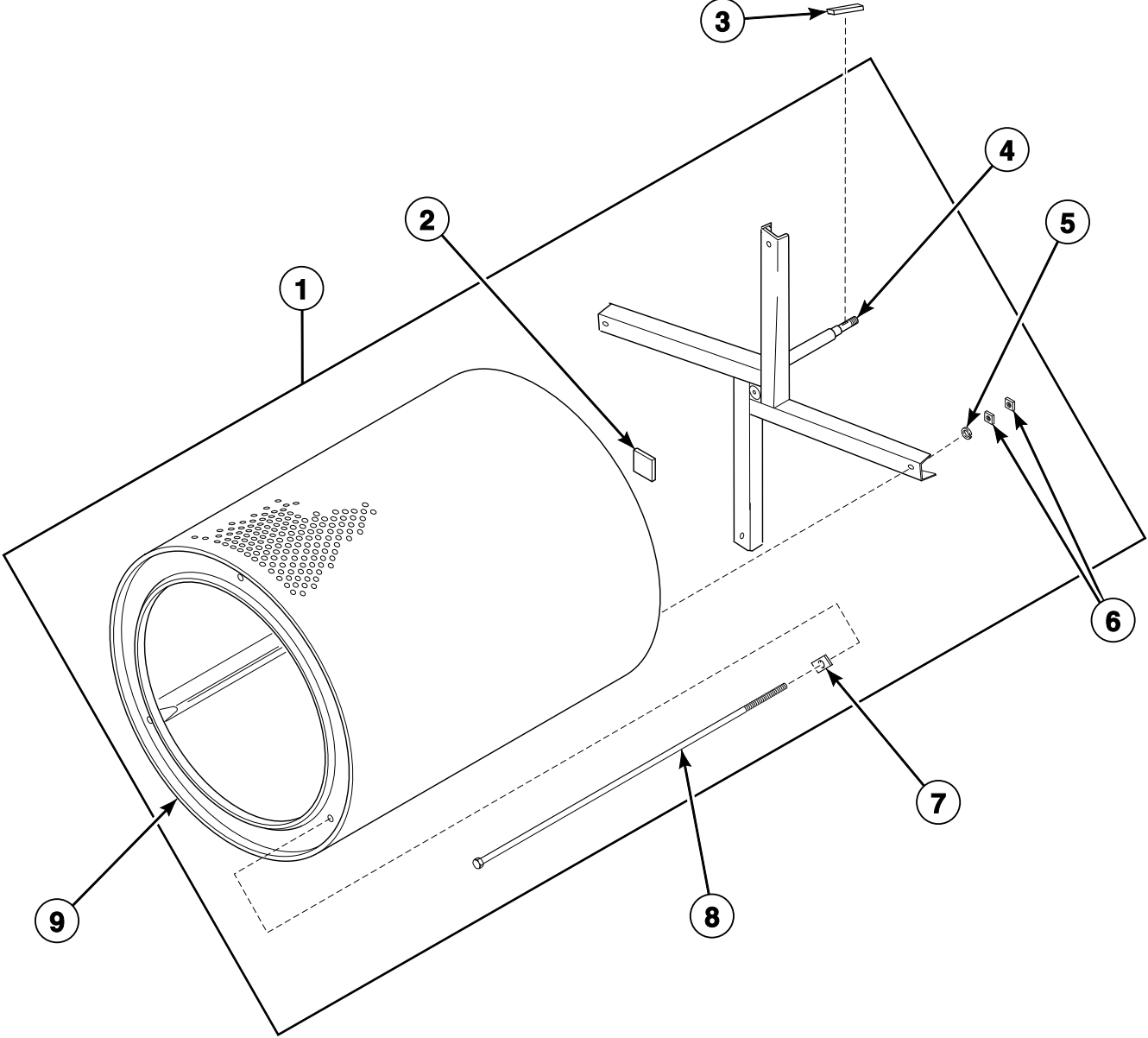
Panels, Lint Hood Assembly and Lint Screen

REF	PART NO.	DESCRIPTION	COMMENTS
1	M410243P	Handle and Cam Assembly	MT and OM control suffixes
2	M400595	Cam and Screw	MT and OM control suffixes; Use with handles prior to 4/10/13
3	N/A	Bumper Assembly	Models through Serial No. 729580ZJ; Includes 4 of M400657 Screw and 4 of 03815 Washer; Chrome
	N/A	Lint Panel Bumper	Models starting Serial No. 729581ZJ; Black
	N/A	Lint Panel Bumper	JT models; Cocoa
4	430757	Screw	50 pound models
	M400664	Screw	75 pound models
5	M400515	Lint Hood Assembly	
6	M400522	Lint Screen Assembly	
7	M414704	Thermistor	50 pound models; MM and OM control suffixes
	M410542	Limit Thermostat	75 pound models except EG; Attach to center pan above head
8	M410542	Limit Thermostat	50 pound CG models
	M411813	Limit Thermostat	50 pound electric models
	D510523	Thermistor Assembly	75 pound models; MM and MT control suffixes
	M414704	Thermistor	75 pound models; OM control suffix; Threads into bracket; Attach to center pan above head
	M413212P	Thermistor Assembly	75 pound models; Replacement for early screw mounted thermistor
9	M401312	Thermostat Bracket	
10	N/A	Bumper Insert Trim	
11	430757	Screw	4 required for M410784 Lint Panel Bumper; Models starting Serial No. 72958123
12	M400464LP	Lint Panel Assembly	Plain; Models through Serial No. 729580ZJ; 634 models require 2 lint panel handles
	M402722LP	Lint Panel Assembly	Textured; Models through Serial No. 729580ZJ; 634 models require 2 lint panel handles
	M405646	Lint Panel Assembly	Stainless steel; Models through Serial No. 729580ZJ; 634 models require 2 lint panel handles
	M414796*P	Lint Panel Assembly	DT, JT and STB models; Models starting Serial No. 729581ZJ
	N/A	Lint Panel Assembly	Stainless steel; DT, JT and STB models; Models starting Serial No. 729581ZJ
	M414798*P	Lint Panel Assembly	FG and 634 models; 2 lint panel handles
	M414799P	Lint Panel Assembly	Stainless steel; FG and 634 models; 2 lint panel handles
13	M414438P	Kickplate Kit	Includes screws and nuts
14	M406654P	Panel Lock	HMV10; Includes key; 634 models requires 2 locks
15	M401680	Panel Key	HMV10

* Add Letter To Designate Color. L - Almond W - White

N/A = Part no longer available

Cylinder and Trunnion Assemblies

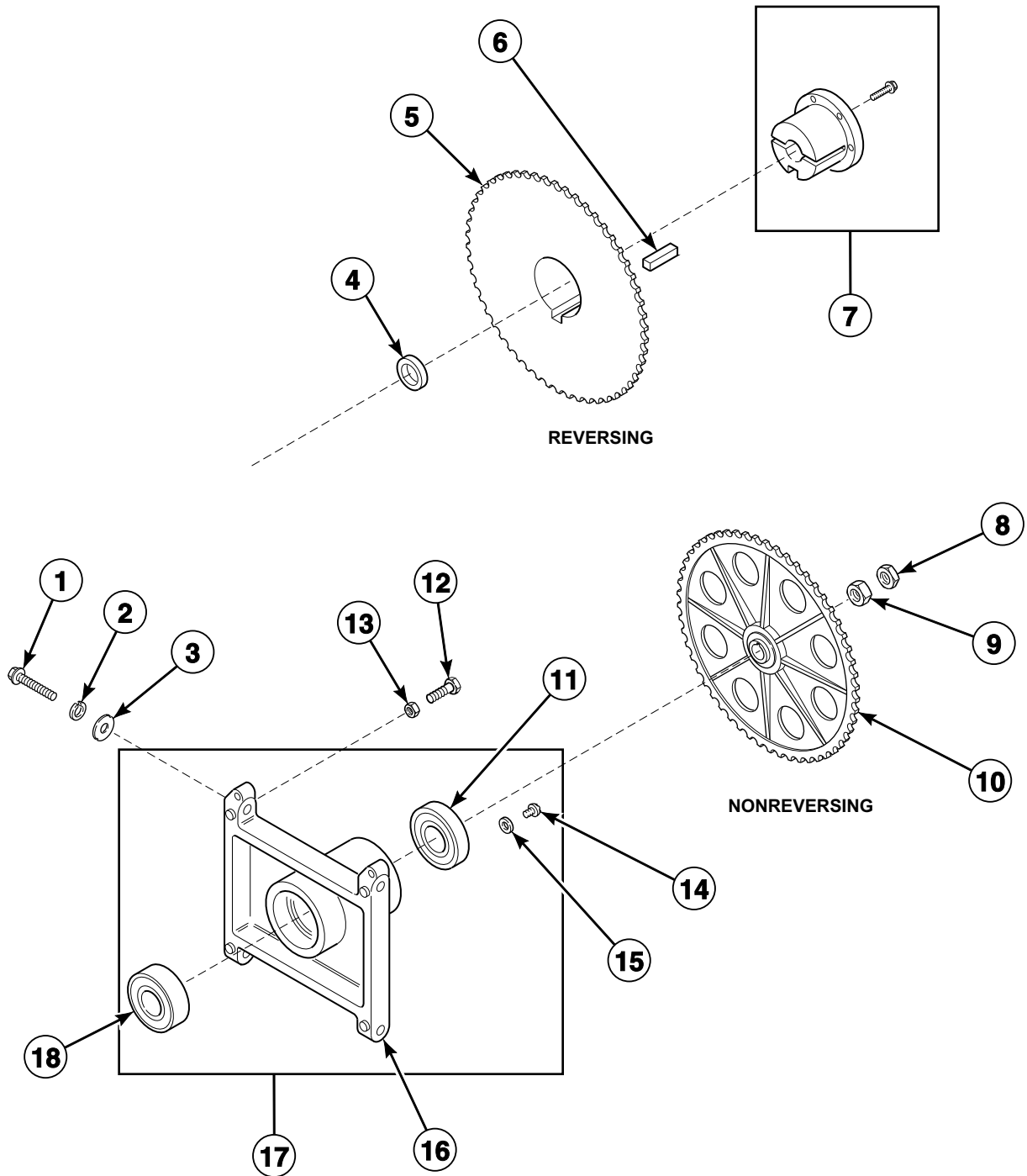


TMB1807B_70410801

Cylinder and Trunnion Assemblies

REF	PART NO.	DESCRIPTION	COMMENTS
	M4819P3	Cylinder, Trunnion and Bearing Housing Kit	50 pound models; Nonreversing
	M4820P3	Cylinder, Trunnion and Bearing Housing Kit	50 pound models; Nonreversing; Stainless steel
	M4821P3	Cylinder, Trunnion and Bearing Housing Kit	50 pound models; Reversing
	M4638P3	Trunnion and Bearing Assembly	50 pound models; Nonreversing
	M4639P3	Trunnion and Bearing Assembly	50 pound models; Reversing
	M4640P3	Trunnion and Bearing Assembly	75 pound models except DTB634 and STB634; Nonreversing; Anti-fretting; Includes bearings, trunnion and anti-seize compound
	M4641P3	Trunnion and Bearing Assembly	75 pound models; Reversing; Anti-fretting; Includes bearings, trunnion and anti-seize compound
1	44068901P	Cylinder and Trunnion Assembly	50 pound models; Nonreversing
	44069001	Cylinder and Trunnion Assembly	50 pound models; Nonreversing; Stainless steel
	44037101	Cylinder and Trunnion Assembly	50 pound models; Reversing
	44037201	Cylinder and Trunnion Assembly	50 pound models; Reversing; Stainless steel
	M406906P	Cylinder and Trunnion Assembly	75 pound models; Nonreversing
	M409090P	Cylinder and Trunnion Assembly	75 pound models; Reversing
	M409015P	Cylinder and Trunnion Assembly	75 pound models; Nonreversing; Stainless steel
	M409091	Cylinder and Trunnion Assembly	75 pound models; Reversing; Stainless steel
2	M402144	Felt Pad	
3	M400008	Key	Nonreversing; Half moon
	M405232	Key	Reversing; Straight
4	M413833P	Trunnion Assembly	50 pound models; Nonreversing
	M413834P	Trunnion Assembly	50 pound models; Reversing
	44261801	Trunnion Assembly	75 pound models; Nonreversing; Includes nuts and key
	M413836	Trunnion Assembly	75 pound models; Reversing
5	M400013	Washer	Nonreversing
	M400015	Washer	Reversing
6	M401930	Nut	50 pound models; Nonreversing; 2 required per rod
	M404993	Nut	50 pound models; Reversing; 1 required per rod
	M404993	Nut	75 pound models
7	M401947	Washer	50 pound models; Nonreversing
	M401402	Spacer	75 pound models
8	M400901	Rib Rod	50 pound models; Nonreversing
	M401411	Rib Rod	50 pound models; Reversing
	M404992	Rib Rod	75 pound models
9	M400439P	Cylinder	50 pound models; Nonreversing
	M400440P	Cylinder	50 pound models; Nonreversing; Stainless steel
	M405009P	Cylinder Assembly	50 pound models; Reversing
	M405365P	Cylinder	50 pound models; Reversing; Stainless steel
	M401985P	Cylinder	75 pound models; Galvanized
	M402517P	Cylinder	75 pound models; Stainless steel

Trunnion Housing and Sprockets



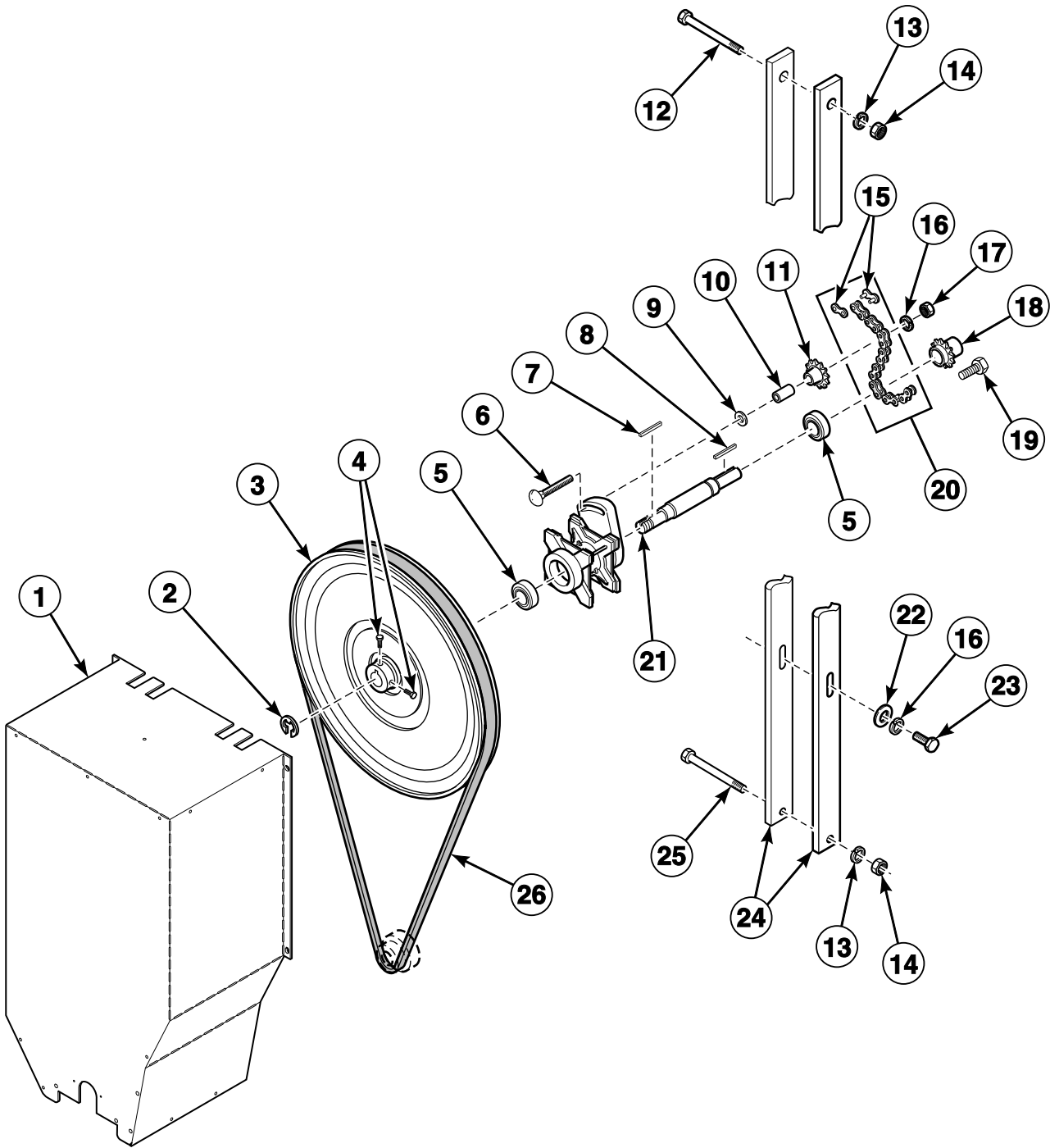
T491P_70410801

Trunnion Housing and Sprockets

REF	PART NO.	DESCRIPTION	COMMENTS
	BDK5075R	Belt Drive Conversion Kit	Use to convert machine to a belt/belt drive
1	M400063	Screw	
2	M400015	Washer	
3	N/A	Washer	
4	44024001	Spacer	Reversing
5	N/A	Sprocket	Reversing; Order BDK5075R Belt Drive Conversion Kit to replace sprocket
6	M405232	Key	Reversing
7	M403432P	Bushing	For trunnion sprocket; Reversing; Includes screw
8	M400035	Nut	Nonreversing
9	M400033	Nut	Nonreversing
10	M400090P	Sprocket	Nonreversing; Includes key
11	M413921P	Ball Bearing	50 pound models
	F100136P	Bearing	75 pound models; Outer trunnion
12	M400650	Bolt	
13	20274	Nut	
14	M409385	Screw	
15	20103	Washer	
16	N/A	Trunnion Housing Casting	50 pound models
	M413826	Trunnion Housing	75 pound models
17	N/A	Trunnion Housing Assembly	Includes items 11, 14-16 and 18; 50 pound models
	M4642P3	Housing and Trunnion Assembly	Nonreversing; 50 pound models; Includes trunnion
	M4643P3	Housing and Trunnion Assembly	Reversing; 50 pound models; Includes trunnion
	M413832	Trunnion Housing Assembly	75 pound models
18	M413922P	Ball Bearing	50 pound models
	44041901P	Ball Bearing	75 pound models; Inner trunnion

N/A = Part no longer available

Idler Drive Components for Nonreversing Belt/Chain Drive

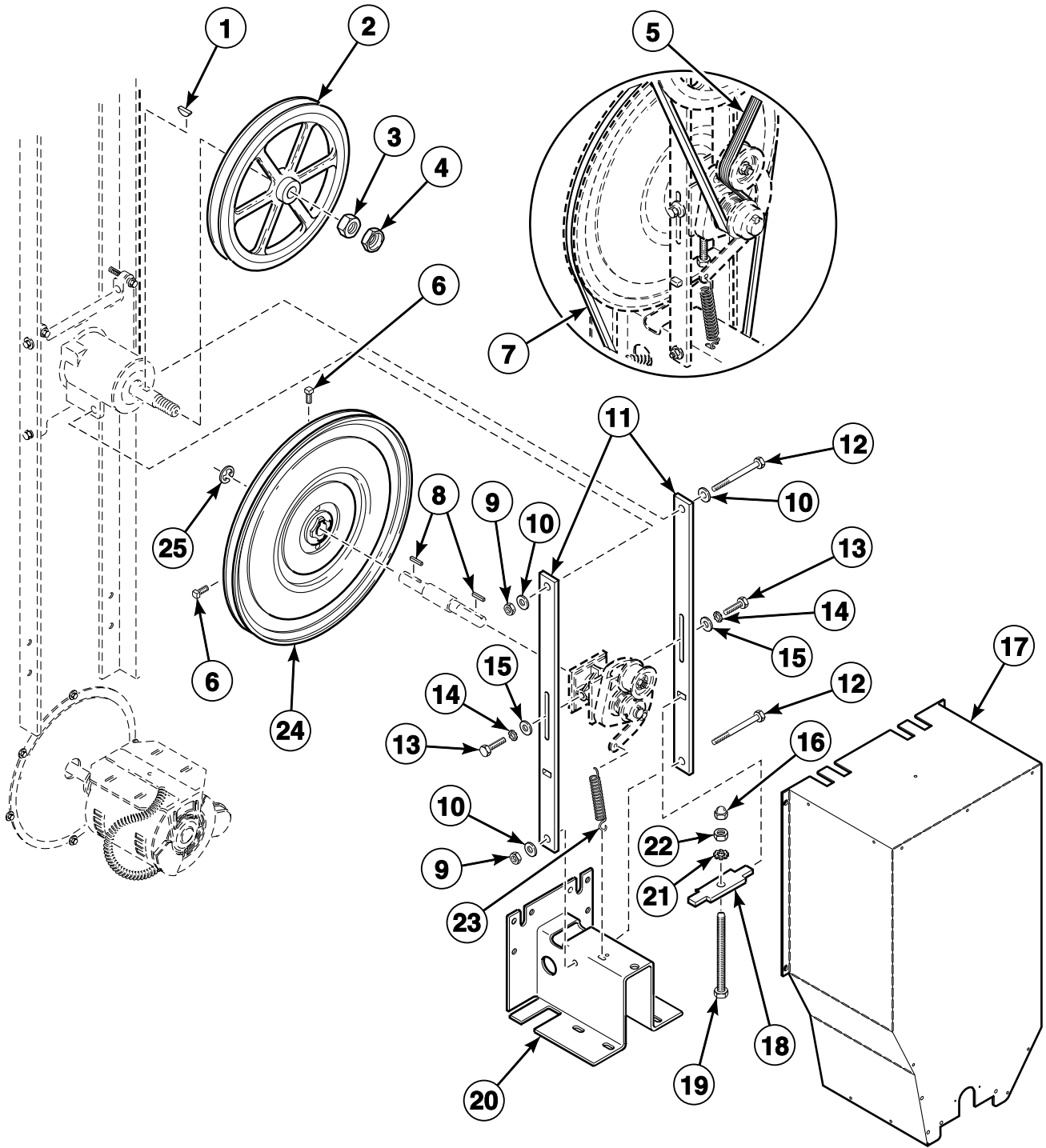


TMB2887P_70410801

Idler Drive Components for Nonreversing Belt/Chain Drive

REF	PART NO.	DESCRIPTION	COMMENTS
	BDK5075	Belt Drive Conversion Kit	Use to convert belt/chain drive machine to belt/belt drive
	M4322P3	Idler Kit	Includes items 6, 10, 11, 16, 17 and 23
1	44132401	Belt Guard Assembly	50 pound models except EG; Models through Serial No. 0004xxxxx
	44132405	Belt Guard Assembly	75 pound models except EG; Models starting Serial No. 0004xxxxx
	M409350	Chain Guard Assembly	EG models
2	M400399	Ring	
3	44086901P	Sheave Kit	Includes hardware
4	M400065	Screw	
5	M400592	Ball Bearing	
6	M412475	Bolt	
7	M401327	Key	
8	M400993	Key	
9	M400080	Washer	
10	M400755P	Chain Sleeve	
11	M401369P	Chain Sprocket	
12	M405525	Screw	
13	M400013	Washer	
14	M400026	Nut	50 pound models
	02428	Nut	75 pound models
15	M401360P	Chain Connecting Link	
16	M400014	Washer	
17	M400026	Nut	
18	M401365P	Sprocket	
19	62541	Screw	
20	M401425	Roller Chain	
21	M412223P	Idler Shaft	
22	M400081	Washer	
23	M405525	Screw	
24	M412476	Guide Rail	
25	M405525	Screw	50 pound models
	M400061	Screw	75 pound models
26	M401182P	Belt	

Idler Drive Components for Nonreversing Belt/Belt Drive

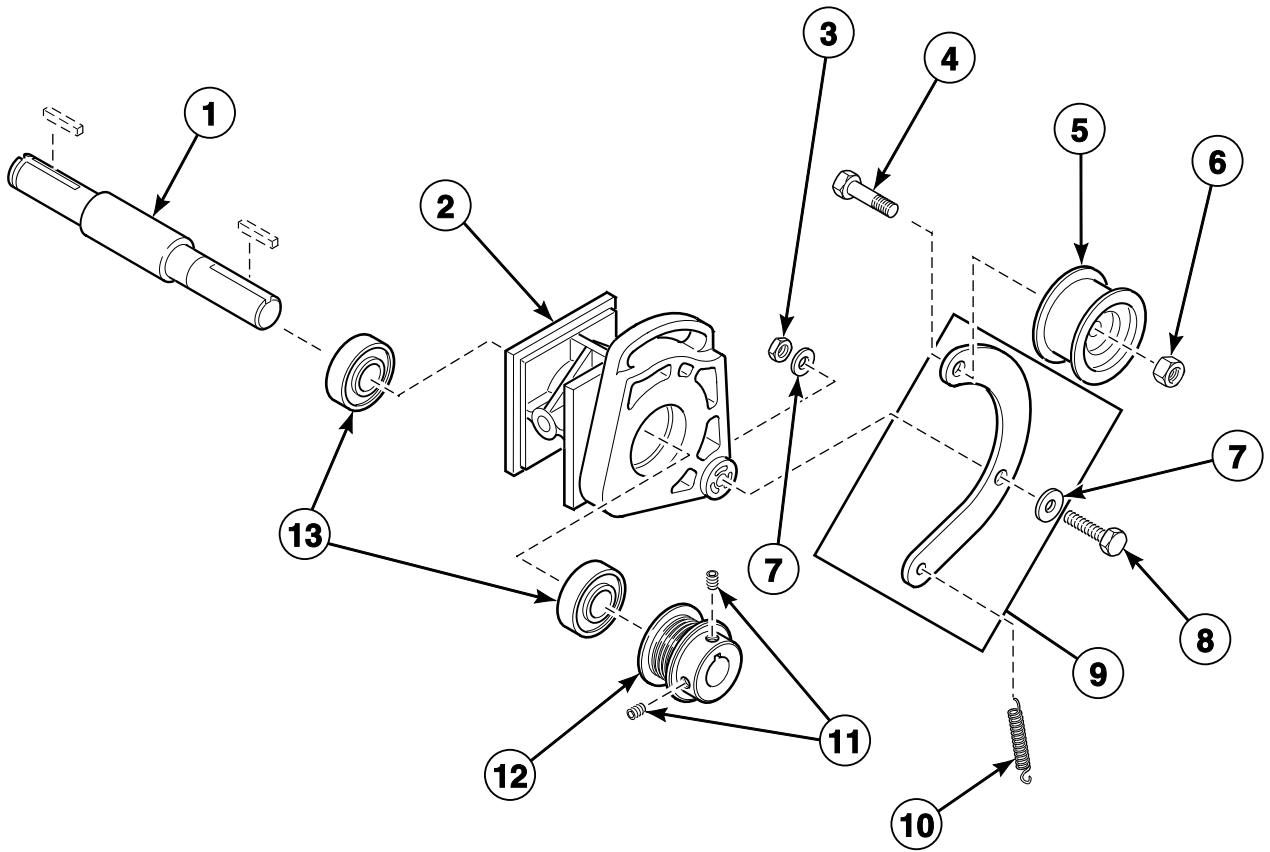


TMB2481P_70410801

Idler Drive Components for Nonreversing Belt/Belt Drive

REF	PART NO.	DESCRIPTION	COMMENTS
1	M400008	Key	
2	M412156	Micro V Sheave	
3	M400033	Nut	
4	M400035	Nut	
5	M411425P	Micro V Belt	
6	M400065	Screw	
7	M401182P	Belt	
8	M401327	Key	
9	M400026	Nut	
10	M400014	Washer	
11	M412476	Guide Rail	
12	M405525	Screw	
13	M400043	Screw	
14	M403958	Washer	
15	M400081	Washer	
16	M412626	Nut	
17	44132401	Belt Guard Assembly	50 pound models except EG; Models through Serial No. 0004xxxxx
	44132405	Belt Guard Assembly	75 pound models
18	M414405	Tension Plate Assembly	
19	M412627	Screw	
20	M411483	Motor Bracket	
21	M412188	Washer	
22	M404993	Nut	
23	M412120	Extension Spring	
24	44086901P	Sheave Kit	Includes items 6 and 8
25	M400399	Ring	

Idler Housing Assembly For Nonreversing Belt/Belt Drive

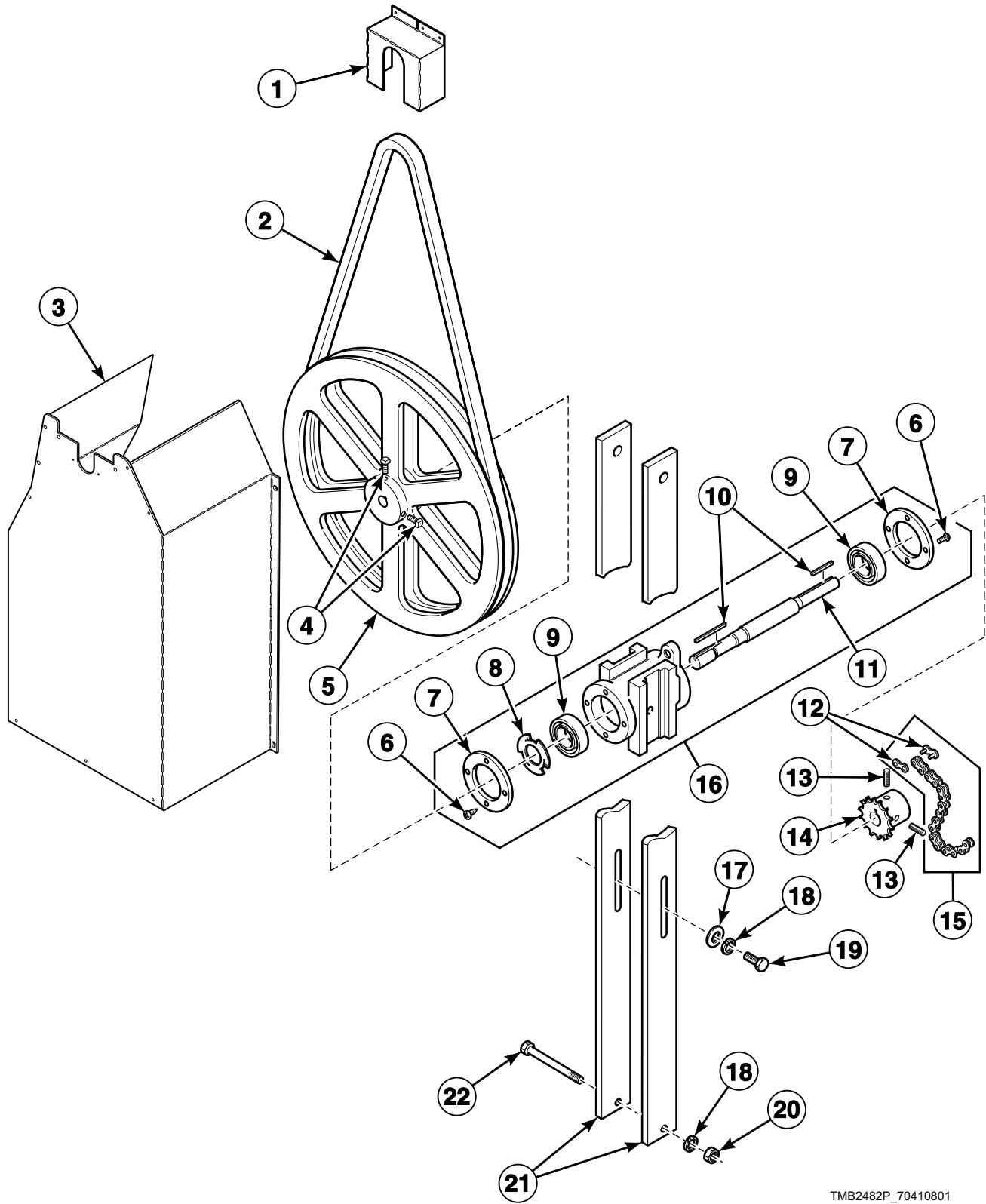


TMB3206P_70410801

Idler Housing Assembly For Nonreversing Belt/Belt Drive

REF	PART NO.	DESCRIPTION	COMMENTS
1	M412223P	Idler Shaft	
2	943P3P	Idler Housing Kit	Includes Idler Pivot Plate, 44087201 Nut, 44102701 Idler Arm, 44107101 Idler Housing Assembly, 70265901 Washer, 70321501 Screw and M400056 Screw
3	52566	Nut	
4	430648	Screw	
5	430619	Drum Idler Wheel Assembly	
6	56156	Nut	
7	M405535	Washer	
8	M412119	Bolt	
9	M414320P	Idler Arm Kit	For use with machines that have not been converted with 943P3P Idler Housing Kit
10	M412120	Extension Spring	
11	M400077	Screw	
12	M411466P	Micro V Pulley	
13	70448701	Support Bearing	

Idler Drive Components For Belt/Chain Drive - Reversing Models



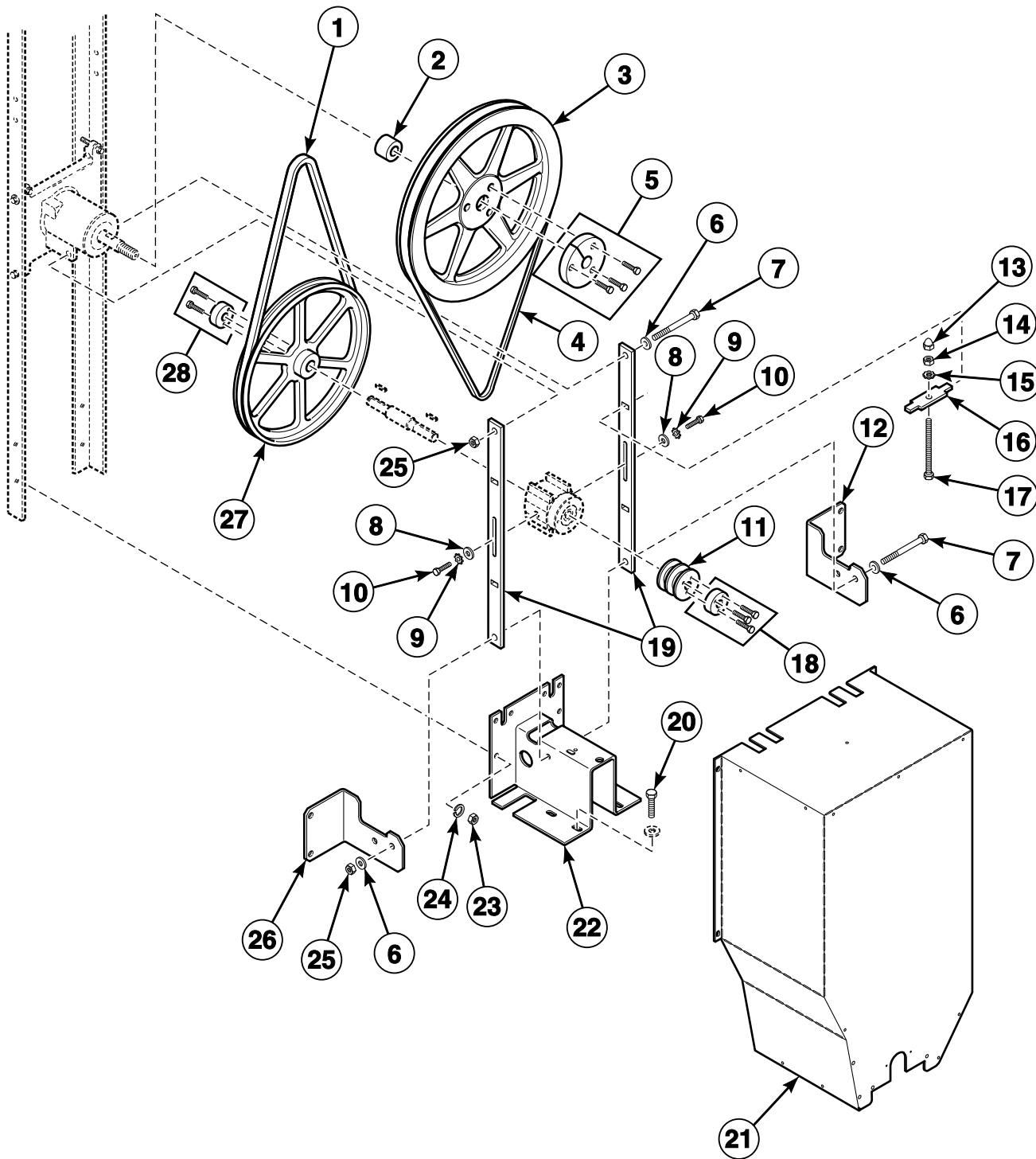
TMB2482P_70410801

Idler Drive Components For Belt/Chain Drive - Reversing Models

REF	PART NO.	DESCRIPTION	COMMENTS
	BDK5075R	Belt Drive Conversion Kit	Use to convert belt/chain drive machine to belt/belt drive
1	M413541	Belt Guard	Upper
2	M411814P	Motor Belt	Motor pulley to sheave
3	44132402	Belt Guard Assembly	All models except EG
4	M400065	Screw	
5	M400147	Single Sheave	
6	M409385	Screw	
7	M401370	Bearing Retainer	
8	M400401	Loading Spring	
9	M401375P	Ball Bearing	
10	M401327	Key	
11	M401371	Idler Shaft	
12	N/A	Connector Link	
13	62541	Screw	
14	M401364P	Sprocket	
15	M400597P	Roller Chain	
16	917P3	Idler Housing Kit	Includes bearings and rails
17	M400081	Washer	
18	M400014	Washer	
19	M405525	Screw	
20	M400026	Nut	
21	M412476	Guide Rail	
22	M405525	Screw	

N/A = Part no longer available

Idler Drive Components For Belt/Belt Drive - Reversing Models

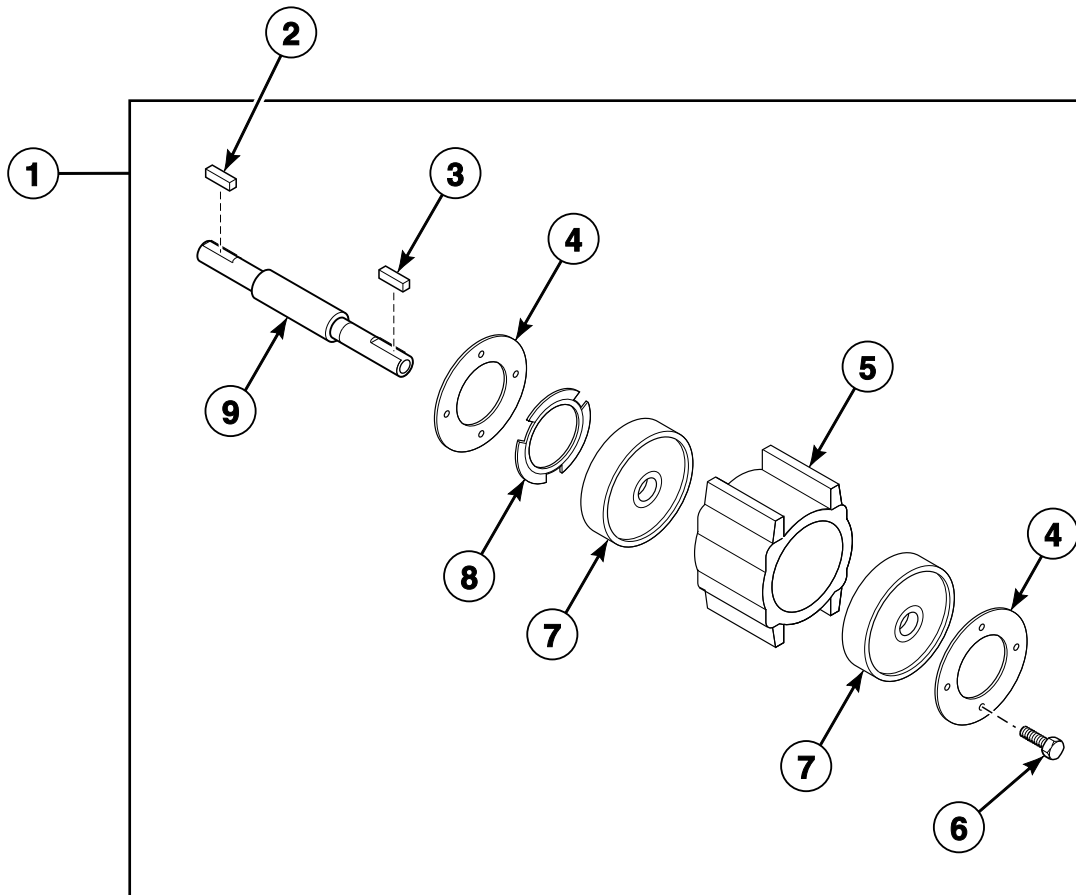


TMB2483P_70410801

Idler Drive Components For Belt/Belt Drive - Reversing Models

REF	PART NO.	DESCRIPTION	COMMENTS
1	M412981	Belt	Motor to idler; Drive
2	44024001	Spacer	
3	M412916	Double V Sheave	
4	M412090	Belt	2 required; Cylinder
5	M412086P	Bushing	Includes screws
6	M400014	Washer	
7	430648	Screw	
8	M400080	Washer	
9	M403958	Washer	
10	M400043	Screw	
11	M412884	Pulley	
12	M413268	Guide Rail Support	Right; Models DTB634 and DTB75FG
13	M412626	Nut	
14	M404993	Nut	
15	M412188	Washer	
16	M414405	Tension Plate Assembly	
17	M412627	Screw	
18	M412917P	Bushing	Includes screws
19	M412476	Guide Rail	
20	M400057	Screw	
21	44132407	Belt Guard Assembly	Models DTB634 and DTB75FG; Models through Serial No. 0004xxxxx
	44132402	Belt Guard Assembly	All other models; Models through Serial No. 0004xxxxx
22	M411483	Motor Bracket	All models except FG
23	70142	Nut	
24	M400013	Washer	
25	M400026	Nut	
26	M413267	Guide Rail Support	Left; Models DTB634 and DTB75FG
27	M412931	Single V Sheave	Idler
28	M412885P	Bushing	Includes screws

Idler Housing Assembly for Reversing Belt/Belt Drive

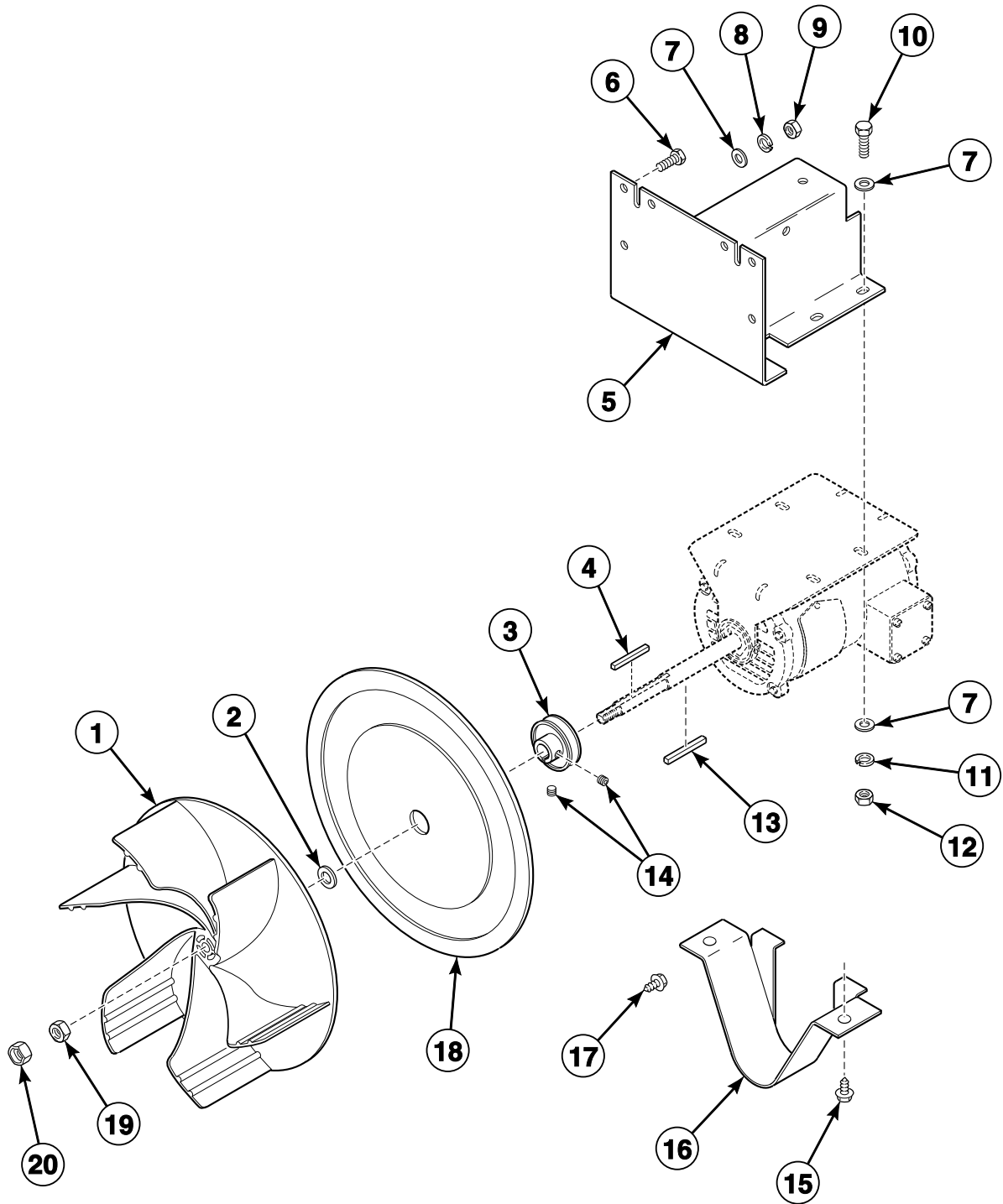


TMB2512P_70410801

Idler Housing Assembly for Reversing Belt/Belt Drive

REF	PART NO.	DESCRIPTION	COMMENTS
1	917P3	Idler Housing Kit	
2	M401327	Key	
3	M400993	Key	
4	M401370	Bearing Retainer	
5	M412612	Idler Housing	
6	M409385	Screw	
7	M401375P	Ball Bearing	
8	M400401	Loading Spring	
9	M414241	Idler Shaft	50 pound models
	M412099	Idler Shaft	75 pound models

Fan and Motor Components - All Models Except FG and 634

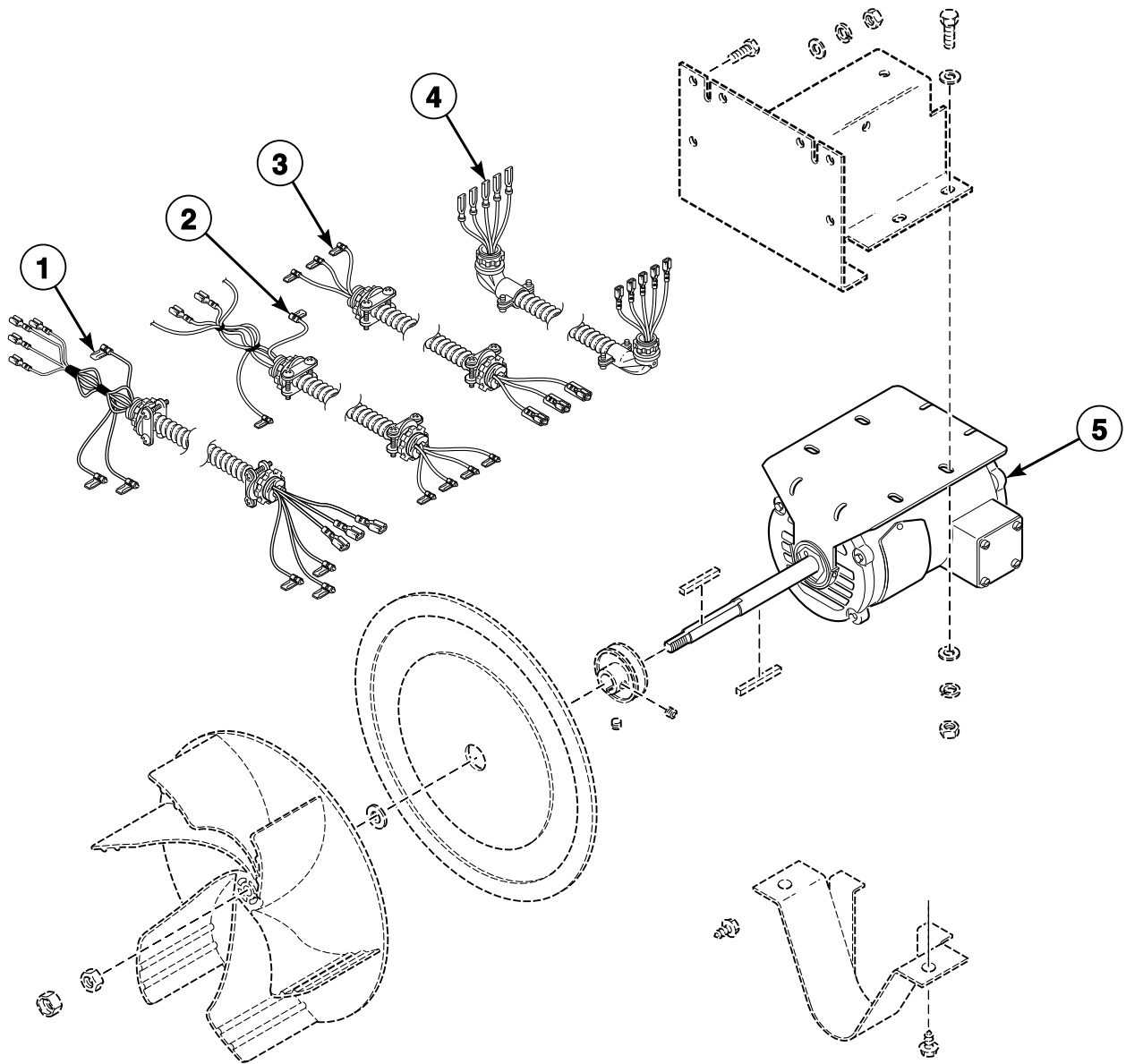


TMB3077P_70410801

Fan and Motor Components - All Models Except FG and 634

REF	PART NO.	DESCRIPTION	COMMENTS
	M4426P3	Motor Hardware Kit	Includes items 2, 4, 13, 19 and 20
	M405419P	Motor Mounting Ring Kit	Standard connection motors; 2 per package
	M4525P3P	Resilient Ring Kit	Quick disconnect motors; 2 per package
1	M4936P3	Fan Kit	
2	M400991	Washer	
3	M414566	Pulley	Nonreversing; 50 Hertz
	M414564	Pulley	Nonreversing; 60 Hertz
4	M400994P	Key and Instruction Kit	Fan
5	M411483	Motor Bracket	
6	M401393	Bolt	
7	M400080	Washer	
8	M400014	Washer	
9	70142	Nut	
10	M400057	Screw	
11	M400013	Washer	
12	02428	Nut	
13	M400993	Key	Pulley
14	M400077	Screw	
15	M405188	Screw	
16	M413008	Belt Guard	
17	M410059	Screw	
18	M401362	Cover Plate	
19	M400022	Nut	
20	M400034	Nut	

Fan Motors with Standard Connection - 50 Pound Models Through Serial No. 684487YA



TMB2513P_70410801

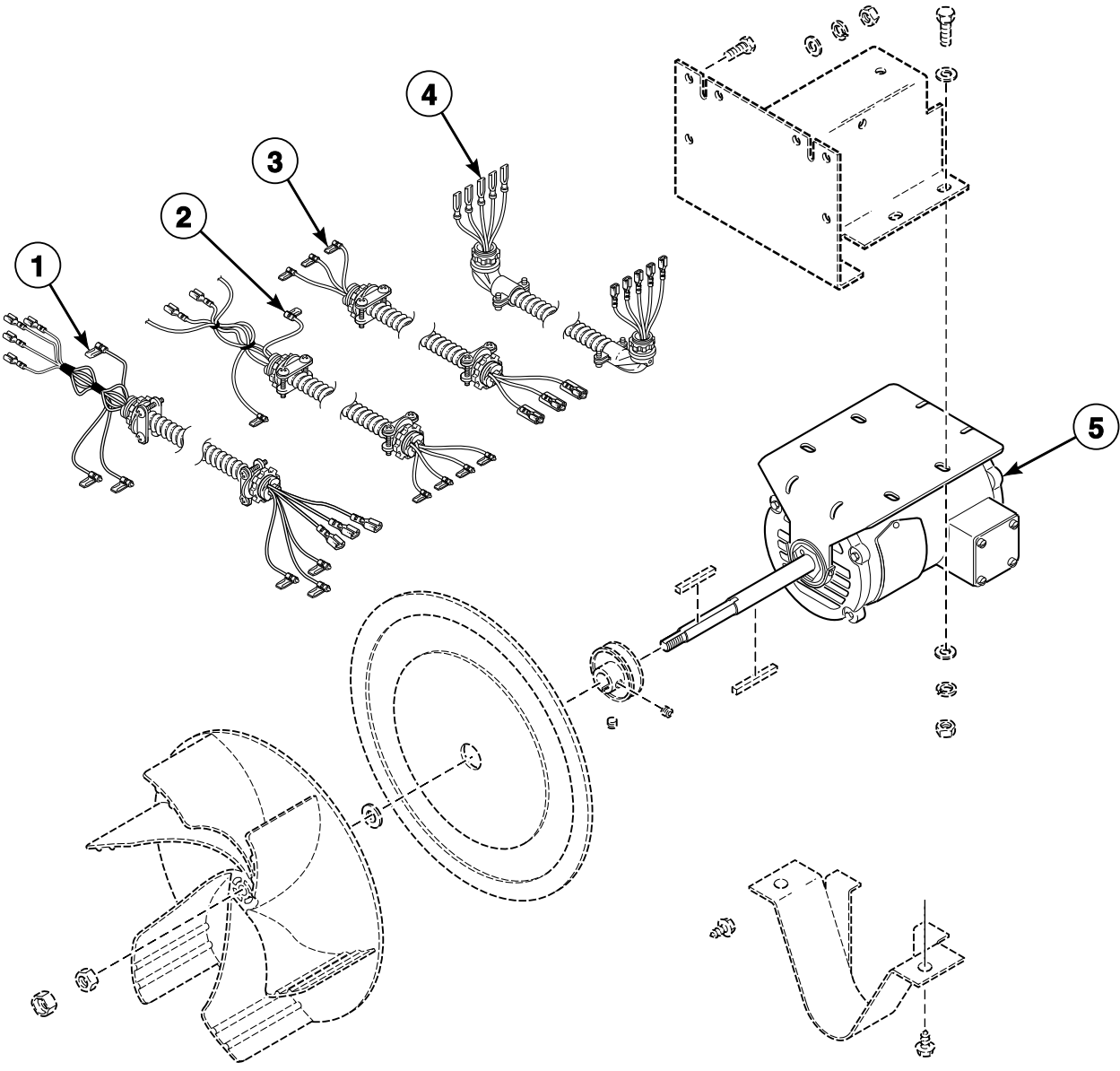
Fan Motors with Standard Connection - 50 Pound Models Through Serial No. 684487YA

REF	PART NO.	DESCRIPTION	COMMENTS
1	M411827	Motor Wire Harness Assembly	EG and electric models; Coin and manual timer; 3 Phase; Fan motor to junction box
	M411828	Motor Harness Assembly	EG models; Manual timer; 208-240 Volt/60 Hertz/3 Phase; Fan motor to junction box
2	M409489	Motor Wire Harness Assembly	EG models; Coin; 208-240 Volt/60 Hertz/1 Phase; Fan motor to junction box
	N/A	Motor Wire Harness Assembly	CG, CSH and CSL models; Coin and manual timer; 2 wire; 1 Phase; Fan motor to junction box
	M409982	Motor Wire Harness Assembly	Electric models; Coin; 415 Volt/50 Hertz/3 Phase; Fan motor to junction box
3	N/A	Fan Motor Harness Assembly	CG, CSH, CSL and electric models; OM control suffix; 120 Volt/60 Hertz/1 Phase and 240 Volt/50 Hertz/1 Phase; Fan motor to contactor box
	M413686	Fan Motor Harness Assembly	CG, CSH, CSL and electric models; OM control suffix; 3 Phase; Fan motor to contactor box
	N/A	Fan Motor Harness Assembly	CG, CSH, CSL and electric models; OM control suffix; 1 Phase; Fan motor to contactor box
	N/A	Motor Harness Assembly	CG models; Coin and manual timer; 208-240 Volt/60 Hertz/1 Phase; Fan motor to contactor box
4	M411980	Motor Harness Assembly	Reversing; CG, CSH and EG models; Manual timer; 240 Volt/50 Hertz/1 Phase; Fan motor to contactor box
5	M411189P	Motor	Reversing; Gas, steam and electric models: 208-240 Volt/60 Hertz/3 Phase and 380-415 Volt/50 Hertz/3 Phase; Steam and electric models: 480 Volt/60 Hertz/3 Phase; No capacitor
	M409735P	Motor	Reversing; Gas and electric models: 240 Volt/50 Hertz/1 or 3 Phase; Use M410301 Motor Capacitor
	M4857P3	Motor Replacement Kit	Reversing; Steam models: 240 Volt/50 Hertz/1 Phase; Use M410301 Motor Capacitor
	M4858P3	Motor Replacement Kit	Reversing; Gas models: 240 Volt/50 Hertz/1 Phase; Nonreversing; Gas, steam and electric models: 240 Volt/50 Hertz/1 Phase; Use M410300 Motor Capacitor
	M4834P3	Motor Replacement Kit	Nonreversing; Gas, steam and electric models: 208 Volt/60 Hertz/1 Phase; Steam models: 208-240 Volt/60 Hertz/3 Phase; Gas models: 120 Volt/60 Hertz/1 Phase and 208-240 Volt/60 Hertz/1 Phase; Gas and steam models: 240 Volt/60 Hertz/1 Phase; Electric models: 240 Volt/60 Hertz/3 Phase; Use 70211501 Motor Capacitor
	M411190P	Motor	Nonreversing; Gas and steam models: 208-240 Volt/60 Hertz/3 Phase; Electric models: 240 Volt/50 Hertz/3 Phase and 380-415 Volt/50 Hertz/3 Phase; Gas and electric models: 480 Volt/60 Hertz/3 Phase; No capacitor
	M411191P	Motor	Nonreversing; Steam models: 120 Volt/60 Hertz/1 Phase and 208-240 Volt/60 Hertz/1 Phase; Use M410298 Motor Capacitor

NOTE: Standard connection motors have wire leads which connect to the tumbler harness.

N/A = Part no longer available

Fan Motors with Quick Connect - 50 Pound Models Starting Serial No. 684487YA



TMB2513P_70410801

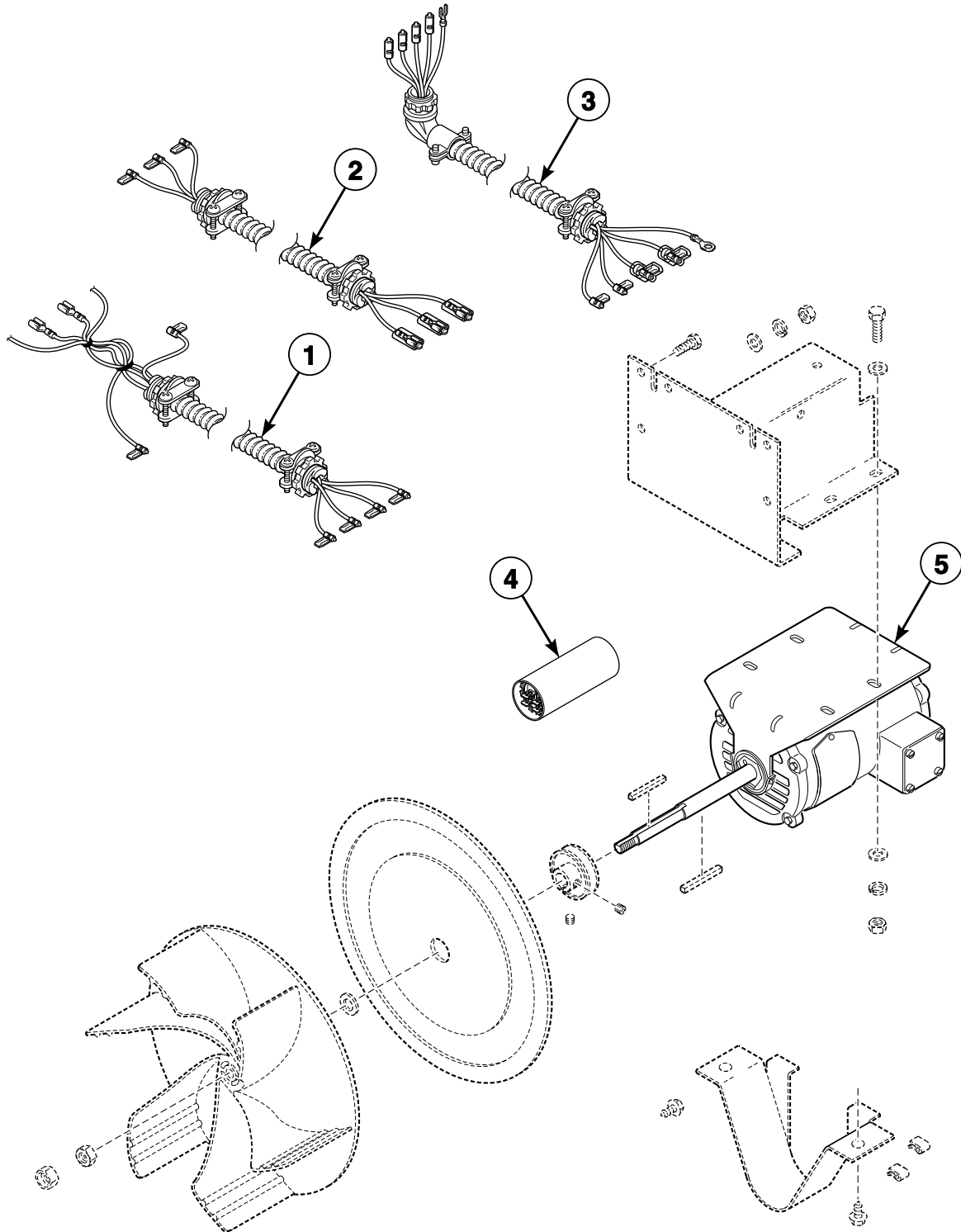
Fan Motors with Quick Connect - 50 Pound Models Starting Serial No. 684487YA

REF	PART NO.	DESCRIPTION	COMMENTS
1	M411827	Motor Wire Harness Assembly	EG and electric models; Coin and manual timer; 3 Phase; Fan motor to junction box
	M411828	Motor Harness Assembly	EG models; Manual timer; 208-240 Volt/60 Hertz/3 Phase; Fan motor to junction box
2	M409489	Motor Wire Harness Assembly	EG models; Coin; 208-240 Volt/60 Hertz/1 Phase; Fan motor to junction box
	N/A	Motor Wire Harness Assembly	CG, CSH and CSL models; Coin and manual timer; 2 wire; 1 Phase; Fan motor to junction box
	M409982	Motor Wire Harness Assembly	Electric models; Coin; 415 Volt/50 Hertz/3 Phase; Fan motor to junction box
3	N/A	Fan Motor Harness Assembly	CG, CSH, CSL and electric models; OM control suffix; 120 Volt/60 Hertz/1 Phase and 240 Volt/50 Hertz/1 Phase; Fan motor to contactor box
	M413686	Fan Motor Harness Assembly	CG, CSH, CSL and electric models; OM control suffix; 3 Phase; Fan motor to contactor box
	N/A	Fan Motor Harness Assembly	CG, CSH, CSL and electric models; OM control suffix; 1 Phase; Fan motor to contactor box
	N/A	Motor Harness Assembly	CG models; Coin and manual timer; 208-240 Volt/60 Hertz/1 Phase; Fan motor to contactor box
4	M411980	Motor Harness Assembly	Reversing; CG, CSH and EG models; Manual timer; 240 Volt/50 Hertz/1 Phase; Fan motor to contactor box
5	M4833P3	Motor Replacement Kit	Reversing; Electric models: 208-240 Volt/60 Hertz/3 Phase; Use M410296 Motor Capacitor
	M409735P	Motor	Reversing; Electric models: 240 Volt/50 Hertz/3 Phase; Gas and steam models: 240 Volt/50 Hertz/1 Phase; Use M410301 Motor Capacitor
	44046001P	Fan Motor	Reversing; Gas and steam models: 208-240 Volt/60 Hertz/3 Phase; Gas, steam and electric models: 380-415 Volt/50 Hertz/3 Phase; Steam and electric models: 480 Volt/60 Hertz/3 Phase; No capacitor
	M4834P3	Motor Replacement Kit	Nonreversing; Gas models: 120 Volt/60 Hertz/1 Phase; Gas and steam models: 120, 208-240 Volt/60 Hertz/1 Phase; Electric models: 208-240 Volt/60 Hertz/3 Phase; Use 70211501 Motor Capacitor
	M412225P	Motor	Nonreversing; Gas, steam and electric models: 240 Volt/50 Hertz/1 Phase; Electric models: 240 Volt/50 Hertz/3 Phase and 380-415 Volt/50 Hertz/3 Phase; Use M410300 Motor Capacitor
	44046101P	Motor	Nonreversing; Gas and steam models: 208-240 Volt/60 Hertz/3 Phase; Steam models: 380-415 Volt/50 Hertz/3 Phase; Gas, steam and electric models: 480 Volt/60 Hertz/3 Phase; No capacitor
	44046201P	Motor	Nonreversing; Steam models: 208-240 Volt/60 Hertz/3 Phase; No capacitor

NOTE: Quick connect motors have terminal blocks for wire connections.

N/A = Part no longer available

Motor Components - 75 Pound Models Except FG and 634



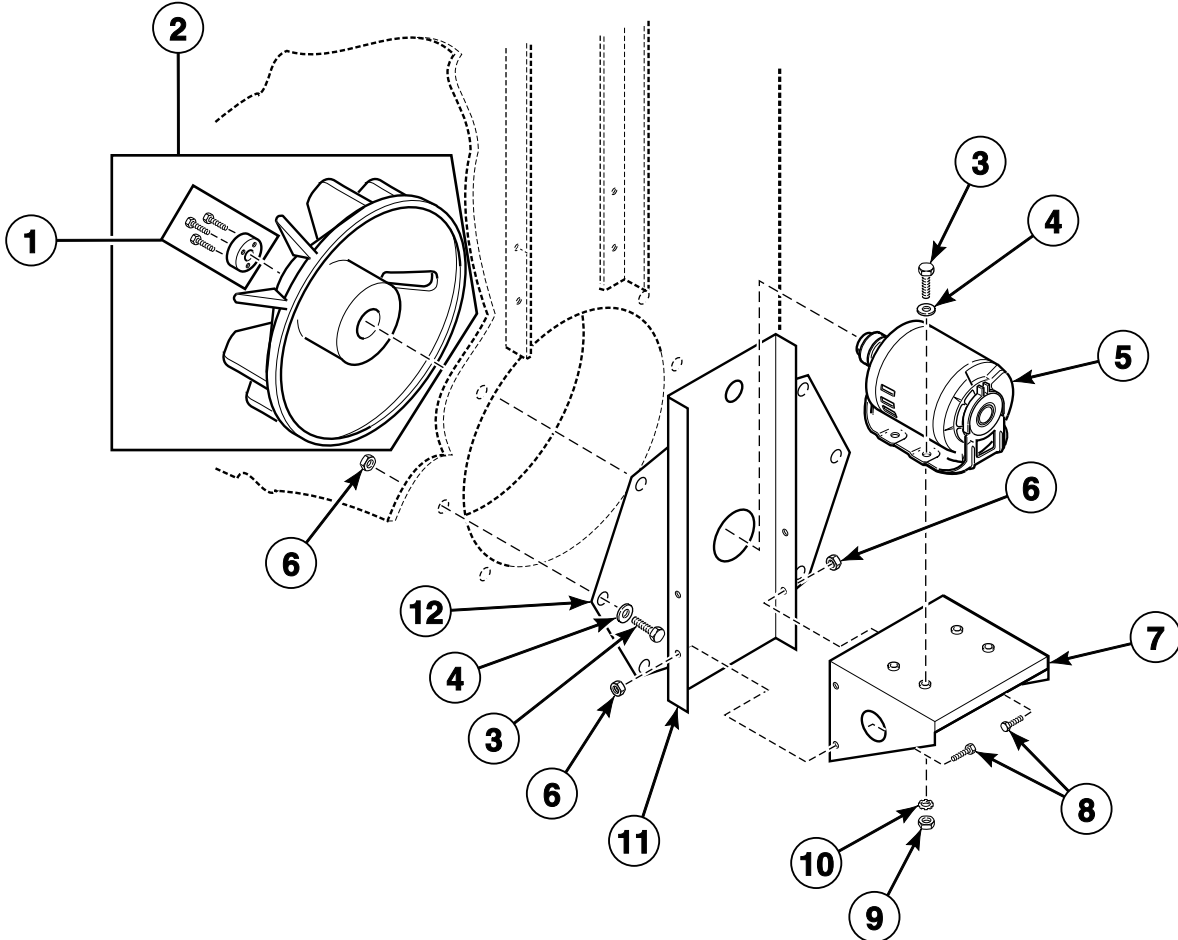
TMB3078P_70410801

Motor Components - 75 Pound Models Except FG and 634

REF	PART NO.	DESCRIPTION	COMMENTS
1	M409489	Motor Wire Harness Assembly	Gas models; 1 Phase
	N/A	Motor Wire Harness Assembly	Gas and steam models; Manual timer; 1 Phase; 2 wire
2	N/A	Fan Motor Harness Assembly	120-240 Volt/50 or 60 Hertz/1 Phase; 2 wire
	M413686	Fan Motor Harness Assembly	OM control suffix; 3 Phase
	N/A	Fan Motor Harness Assembly	OM control suffix; 1 Phase; 3 wire
3	M413281	Fan Motor Harness Assembly	Gas and steam models; 230 Volt/50 Hertz/1 Phase
4	M406291	Motor Capacitor	Standard connection; For M400383 Motor which is no longer available. Order M4833P3 Motor Replacement Kit which includes terminals
	M410302	Motor Capacitor	Standard connection; For M400390 Motor which is no longer available. Order M4834P3 Motor Replacement Kit which includes terminals
	M410301	Motor Capacitor	Standard connection; For M409735 Motor and M400382 Motor which are no longer available. Order M4857P3 Motor Replacement Kit which includes terminals
	M410296	Motor Capacitor	Quick connect; For M409438 Motor which is included in M4833P3 Motor Replacement Kit
	M410298	Motor Capacitor	Quick connect; For M412227 Motor and M411191P Motor
	M410300	Motor Capacitor	Quick connect; For M412225 Motor
	M411191P	Motor	Nonreversing models through Serial No. 684486YA; Gas and steam models: 120, 208 or 240 Volt/60 Hertz/1 Phase; Electric models: 208 or 240 Volt/60 Hertz/3 Phase Use M410298 Motor Capacitor
M412226P	Motor	Nonreversing; Gas models: 208 Volt/50 Hertz/1 Phase; CSH models: 240 Volt/50 Hertz/1 Phase; Electric models: 380 or 415 Volt/50 Hertz/3 Phase No capacitor	
M411188P	Motor	Nonreversing models through Serial No. 684486YA; Gas and steam models: 208 or 240 Volt/60 Hertz/3 Phase; Gas and electric models: 480 Volt/60 Hertz/3 Phase No capacitor	
M412227P	Motor	Nonreversing models starting Serial No. 684486YA; Gas and steam models: 120, 208 or 240 Volt/60 Hertz/1 Phase; Electric models: 208 or 240 Volt/60 Hertz/1 Phase Use M410298 Motor Capacitor	
M409735P	Motor	Reversing; Gas and CSH models: 240 Volt/50 Hertz/1 Phase; Electric models: 240 Volt/50 Hertz/3 Phase Use M410301 Motor Capacitor	
M4833P3	Motor Replacement Kit	Reversing; Electric models: 208 Volt/60 Hertz/1 or 3 Phase and 240 Volt/60 Hertz/3 Phase; Use M410296 Motor Capacitor	
44046001P	Fan Motor	Reversing; Gas and steam models: 208 or 240 Volt/60 Hertz/3 Phase; Gas, electric and CSH models: 380 or 415 Volt/50 Hertz/3 Phase and 480 Volt/60 Hertz/3 Phase; No capacitor	
44046201P	Motor	Nonreversing models starting Serial No. 684486YA; 200-208, 240, 380, 400-415, 440 or 460-480 Volt/50 or 60 Hertz/3 Phase; No capacitor	

N/A = Part no longer available

Fan and Motor Components - FG and 634 Models



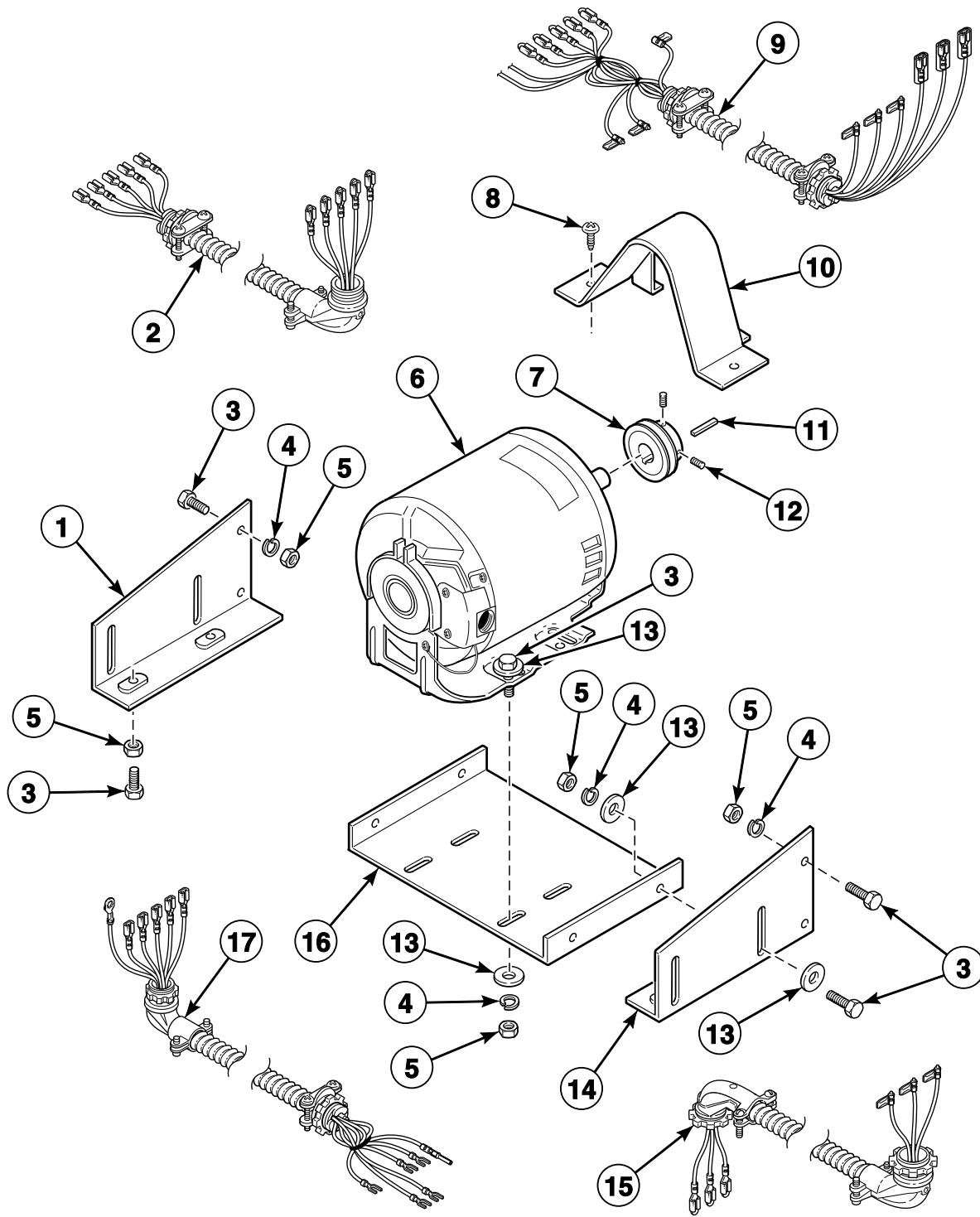
T473P_70410801

Fan and Motor Components - FG and 634 Models

REF	PART NO.	DESCRIPTION	COMMENTS
1	H87529111P	Bushing	Includes screws
2	M414546	Fan and Bushing Assembly	
3	M400057	Screw	
4	M400080	Washer	
5	44046301P	Motor	No capacitor
6	20274	Nut	
7	M413391	Motor Base	
8	22688	Screw	
9	02428	Nut	
10	M400013	Washer	
11	N/A	Motor Channel	
12	M413399	Blower Cover	

N/A = Part no longer available

Cylinder Drive Motor and Components for Models Through 1996



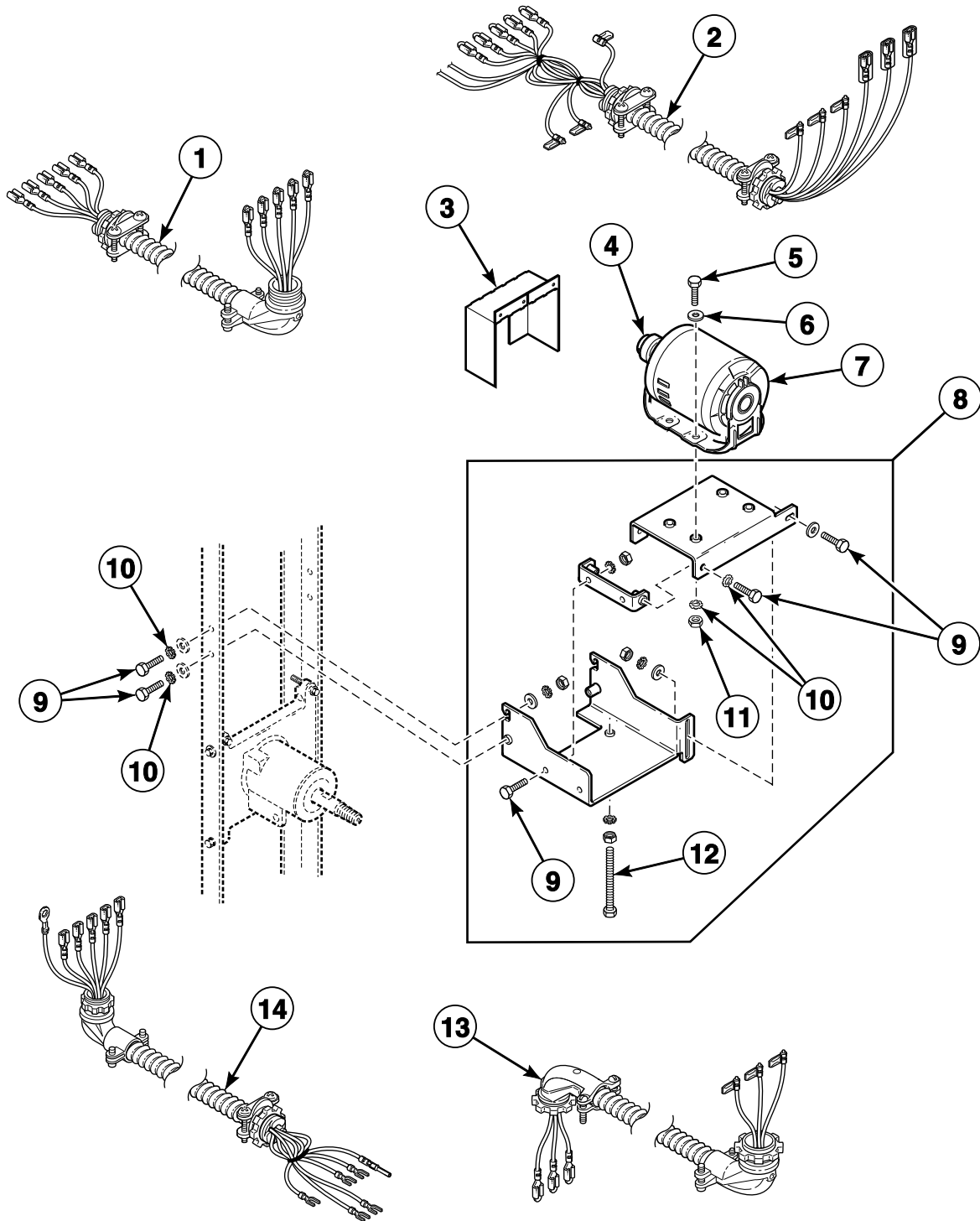
TMB2485P_70410801

Cylinder Drive Motor and Components for Models Through 1996

REF	PART NO.	DESCRIPTION	COMMENTS
1	M400520	Motor Bracket Assembly	Left; 50 pound models through 1994; 75 pound models through 1995
2	M412107	Motor Harness Assembly	CG, CSH, CSL and electric models; Reversing; 50 or 60 Hertz/3 Phase; Drive motor to contactor box
	M413687	Cylinder Motor Harness Assembly	CG, CSH, CSL, EG and electric models; Reversing; OM control suffix; 1 Phase
3	M400057	Screw	
4	M400013	Washer	
5	02428	Nut	
6	M410852	Motor	75 pound models: 1/3 hp; 208-240 Volt/60 Hertz/1 Phase; No capacitor
	M412519P	Motor Kit	1/3 hp; Gas, steam and electric models: 208-240 Volt/60 Hertz/3 Phase; Electric models: 240 Volt/50 Hertz/3 Phase; Steam and electric models: 480 Volt/60 Hertz/3 Phase; No capacitor
	M412520P	Motor Kit	1/3 hp; 240 Volt/50 Hertz/1 Phase; No capacitor
7	M414565	Pulley	
8	M405188	Screw	
9	M411828	Motor Harness Assembly	Gas models; Manual timer; 208-240 Volt/60 Hertz/3 Phase
	M411827	Motor Wire Harness Assembly	Gas and electric models; Manual timer; 3 Phase
10	M413008	Belt Guard	
11	M400993	Key	
12	M400065	Screw	
13	M400080	Washer	
14	M400521	Motor Bracket Assembly	Right; 50 pound models through 1994; 75 pound models through 1995
15	M413688	Cylinder Motor Harness Assembly	Reversing; OM control suffix; 3 Phase
16	N/A	Motor Mounting Bracket	50 pound models through 1994; 75 pound models through 1995
	M413617	Motor Mount Assembly	Hinged; Models starting 1995
17	M412745	Cylinder Motor Harness	Reversing; DC, JC and SC gas and steam models; 230 Volt/50 Hertz/1 Phase
	M412573	Cylinder Motor Harness Assembly	Reversing; 3 Phase

N/A = Part no longer available

Cylinder Drive Motor and Components for Models Starting 1996

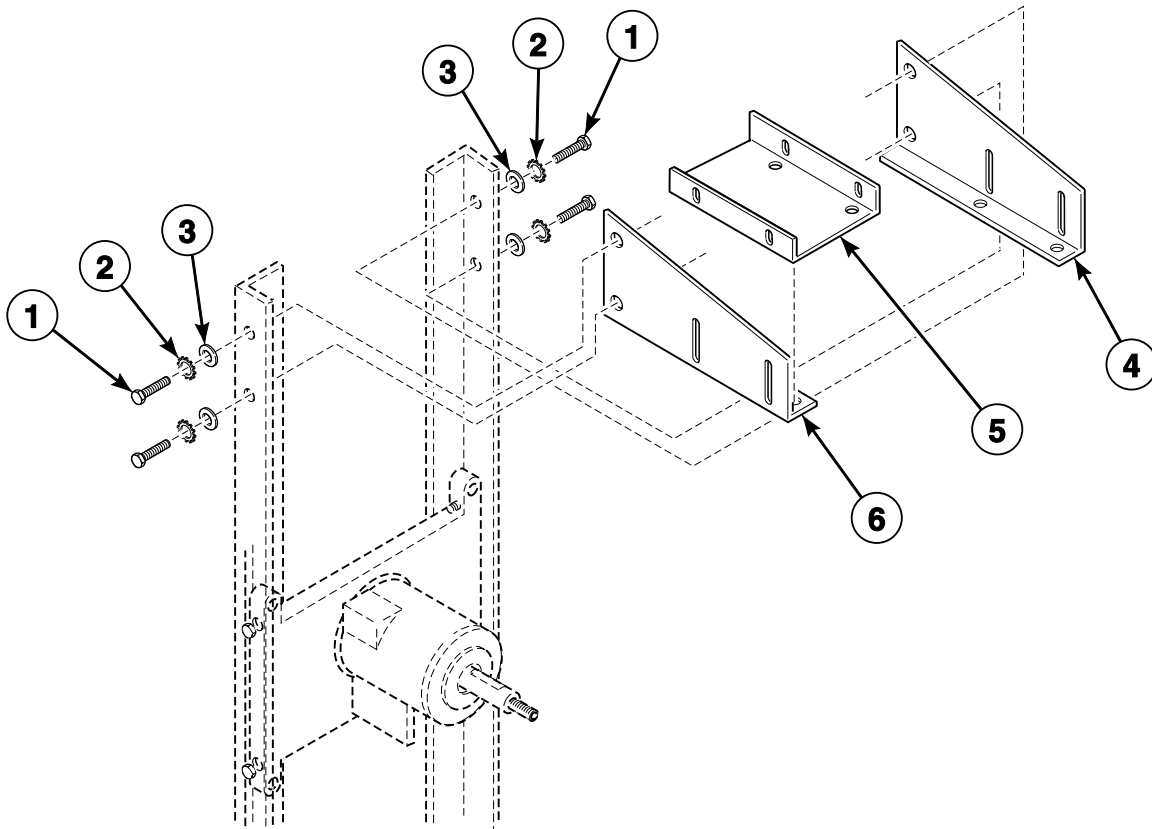


TMB2486P_70410801

Cylinder Drive Motor and Components for Models Starting 1996

REF	PART NO.	DESCRIPTION	COMMENTS
1	M412107	Motor Harness Assembly	Reversing; 50 or 60 Hertz/3 Phase; Drive motor to contactor box
	M413687	Cylinder Motor Harness Assembly	CG, CSH, CSL and electric models; Reversing; OM control suffix; 1 Phase
2	M411828	Motor Harness Assembly	Gas models; Manual timer; 208-240 Volt/60 Hertz/3 Phase
	M411827	Motor Wire Harness Assembly	Gas and electric models; Manual timer; 3 Phase
3	M413541	Belt Guard	Upper
4	M414565	Pulley	60 Hertz
	M414567	Pulley	50 Hertz
5	M400057	Screw	
6	M400080	Washer	
7	M412519P	Motor Kit	Gas, steam and electric models: 208-240 Volt/60 Hertz/3 Phase and 380-415 Volt/50 Hertz/3 Phase; Electric models: 240 Volt/50 Hertz/3 Phase; Steam and electric models: 480 Volt/60 Hertz/3 Phase; No capacitor
	M412520P	Motor Kit	Gas and steam models: 240 Volt/1 Phase; No capacitor
8	M413617	Motor Mount Assembly	Includes items 5, 6 and 10-12
9	27202	Screw	
10	02834	Washer	
11	02428	Nut	
12	M413565	Screw	
13	M413688	Cylinder Motor Harness Assembly	CG, CSH, CSL and electric models; Reversing; OM control suffix; 3 Phase
14	M412745	Cylinder Motor Harness	Reversing; DC, JC and SC gas and steam models; 230 Volt/50 Hertz/1 Phase
	M412573	Cylinder Motor Harness Assembly	Reversing; 3 Phase

Cylinder Motor Bracket - Models Through 1995



T503P_70410801

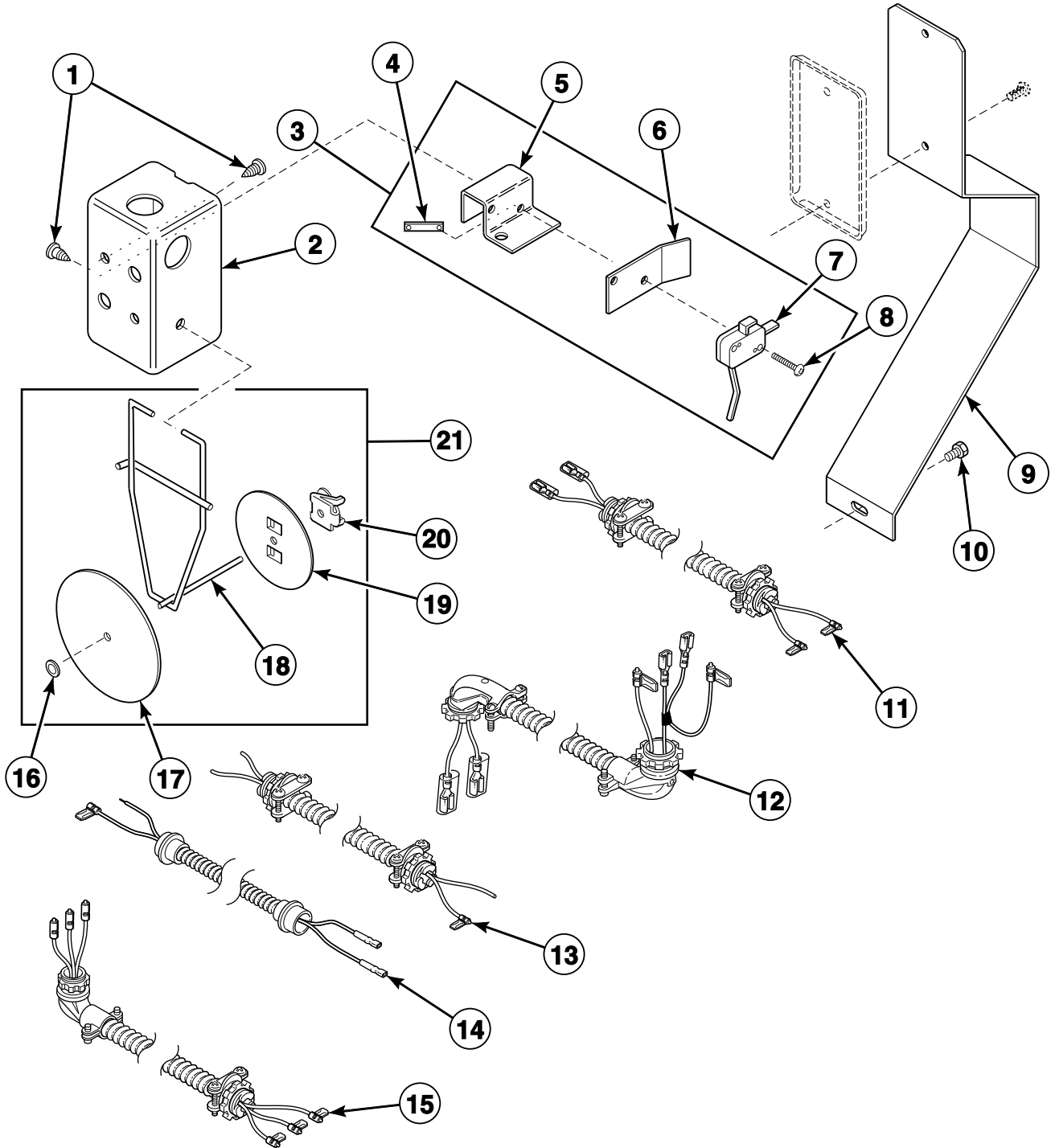
Cylinder Motor Bracket - Models Through 1995

REF	PART NO.	DESCRIPTION	COMMENTS
1	27202	Screw	
2	M400013	Washer	
3	M400080	Washer	
4	N/A	Motor Support Bracket Assembly	Right
5	N/A	Motor Mounting Bracket Assembly	
6	N/A	Motor Support Bracket Assembly	Left

N/A = Part no longer available

Airflow Switch Assembly

All 50 Pound Models
75 Pound Gas and Electric Models

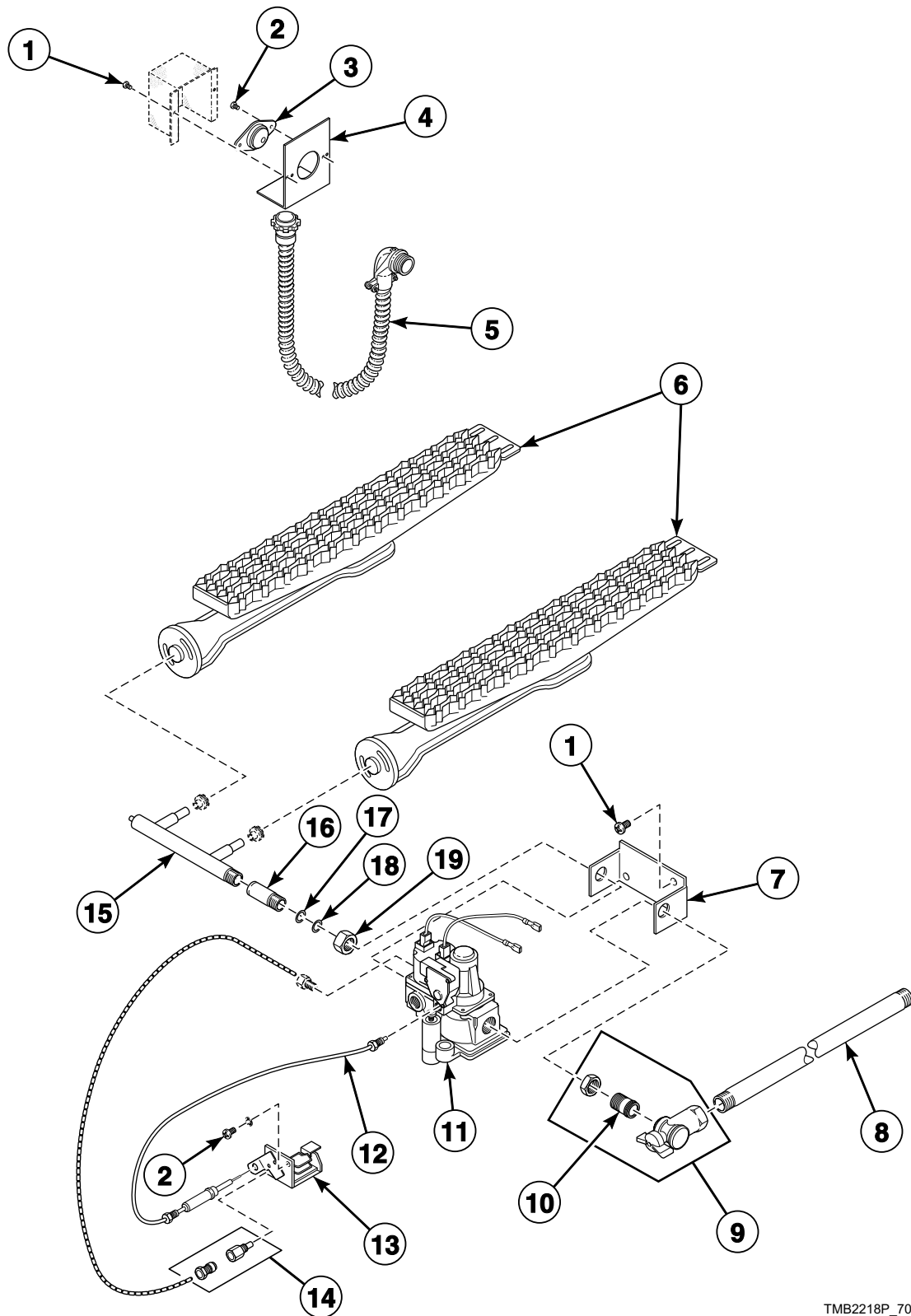


TMB2881P_70410801

Airflow Switch Assembly

REF	PART NO.	DESCRIPTION	COMMENTS
1	M400664	Screw	
2	M403235	Airflow Switch Handy Box	
3	M401883	Airflow Switch Assembly	Includes items 4-8
4	M400979	Nut	
5	M409202	Airflow Switch Bracket	
6	M400712	Airflow Switch Insulator Barrier	
7	M400944	Airflow Switch	Australian and DT, JT and ST models
	M412423	Actuator Switch	DC, JC and SC models
8	M401938	Screw	
9	M410544	Airflow Switch Guard	All models except 50CG models
10	430497	Screw	
11	M413689	Airflow Switch Harness Assembly	Electric models; OM control suffix; Airflow switch to cabinet high limit thermostat
12	M413690	Harness Assembly	50 pound CG models; OM control suffix; Airflow switch to cabinet high limit thermostat
13	M401909	Wire Harness Assembly	50 pound CG models; Coin and manual timer; Airflow switch to junction box
14	M403824	Wire Harness Assembly	50 pound CG models; Coin and manual timer; Airflow switch to stove high limit thermostat
15	M412575	Airflow Switch Harness Assembly	75 pound DC, JC and SC models; Cabinet mounted airflow switch
16	M400977	Nut	
17	M413475	Airflow Switch Vane	634 and FG models
	M400253	Vane	All other models
18	M400753	Airflow Switch Vane Lever	
19	M400822	Counterweight	
20	M400976	Clip	
21	M400541	Vane Assembly	

Standing Pilot Ignition Burner Assembly - 50 Pound Models



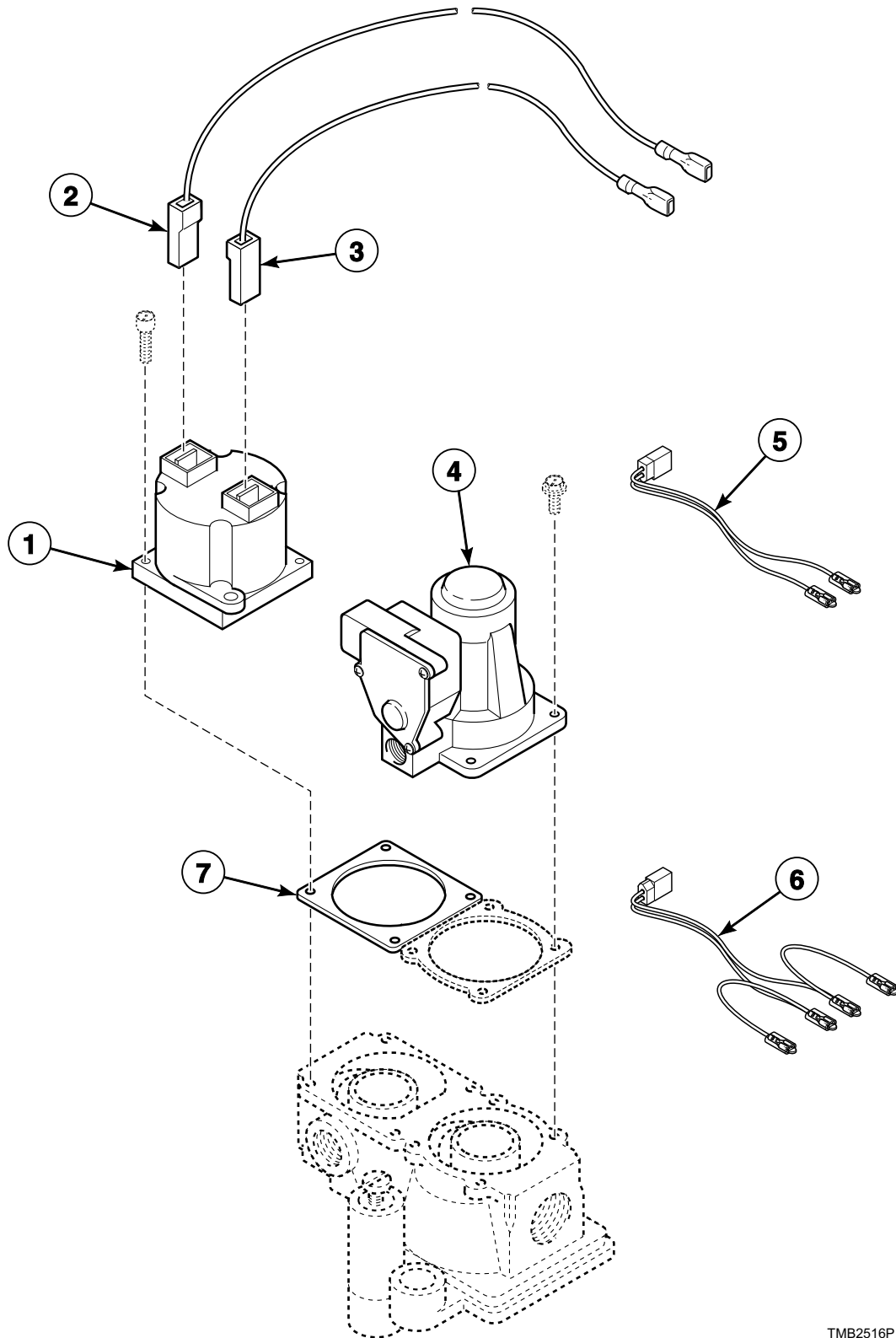
TMB2218P_70410801

Standing Pilot Ignition Burner Assembly - 50 Pound Models

REF	PART NO.	DESCRIPTION	COMMENTS
1	M400664	Screw	
2	M402797	Screw	
3	M409433	Limit Thermostat	
4	M402798	Thermostat Bracket	
5	M403824	Wire Harness Assembly	with junction box
	N/A	Wire Harness Assembly	without junction box
6	M4448P3	Burner Kit	Includes both burners
7	N/A	Bracket	
8	M400749	Pipe	
9	M4983P3	Shut-Off Valve Kit	
10	44092201	Tailpiece	1/2 inch NPT
	44092202	Tailpiece	1/2 inch BPT
11	M401228P	Gas Valve	Basotrol; 120 Volt; Natural Gas (N.G.); Regulated
	M401229P	Gas Valve	Basotrol; 240 Volt; N.G.; Regulated
	M401230P	Gas Valve	Basotrol; 120 Volt; Liquid Petroleum Gas (L.P.); Unregulated
	M401231P	Gas Valve	Basotrol; 240 Volt; L.P.; Unregulated
12	M400934	Thermocouple	
13	N/A	Pilot Holder Assembly	
14	M400918	Burner Orifice	L.P.
	Q8152	Burner Orifice	N.G.
15	N/A	Manifold	
16	M406681	Manifold Pipe Assembly	
17	M400606	Washer	
18	M400605	Anti-Torque Ring	
19	M401548	Nut	

N/A = Part no longer available

Standing Pilot Ignition Gas Valve Components



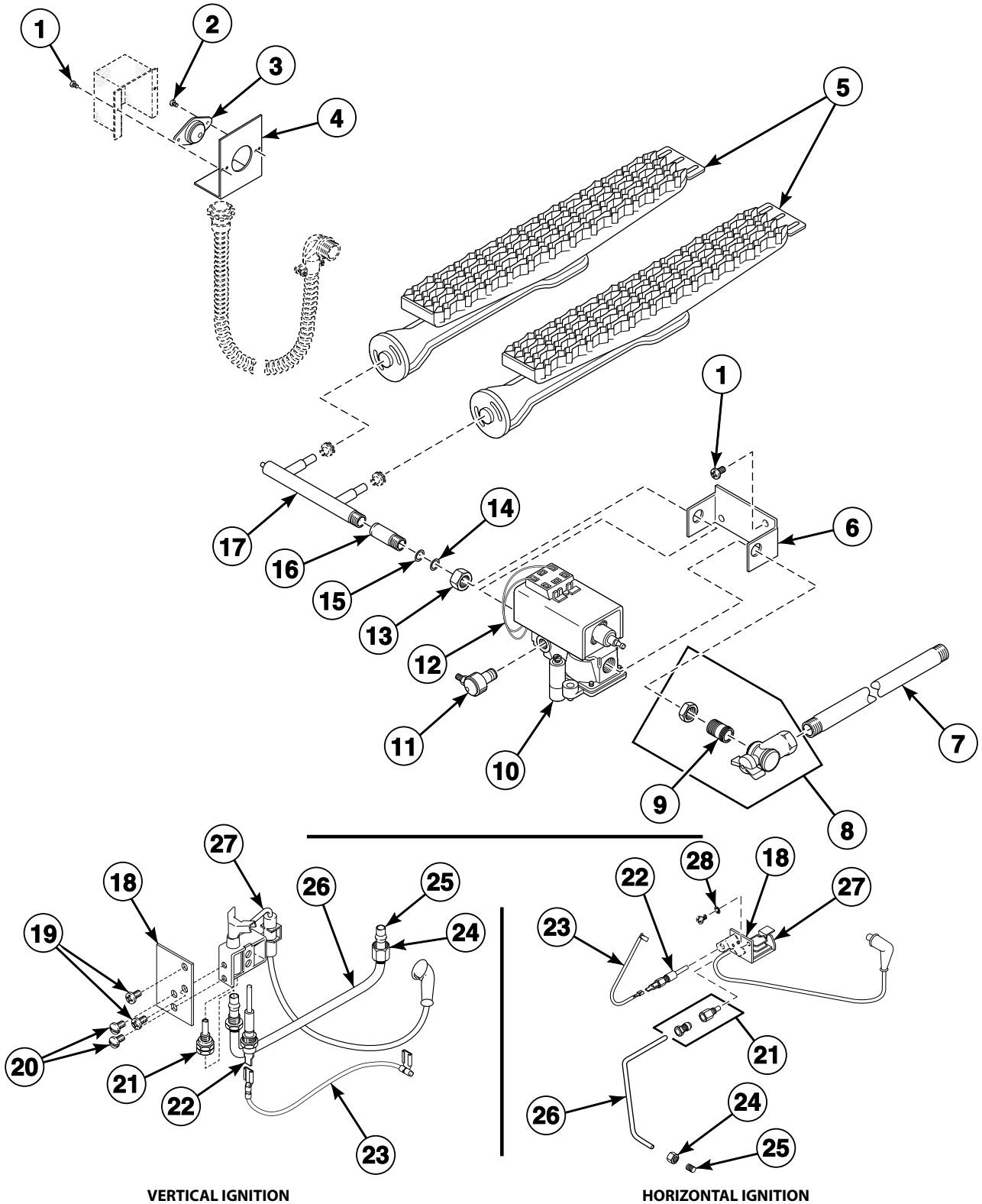
TMB2516P_70410801

Standing Pilot Ignition Gas Valve Components

REF	PART NO.	DESCRIPTION	COMMENTS
1	M400331P	Operator	Magnetic; 240 Volt
	M406217P	Magnetic Operator	120 Volt; Includes gasket
2	M400337	Jumper Wire	50 pound models
3	N/A	Jumper Wire	50 pound models
4	M400329P	Reset Assembly	Basotrol
5	M412997	Harness Assembly	CG models; OM control suffix
6	M413650	Gas Valve Harness Assembly	CG models; OM control suffix; Reversing and nonreversing; Australia
7	M400798	Gasket	

N/A = Part no longer available

Automatic Pilot Ignition Burner Assembly - 50 Pound Models



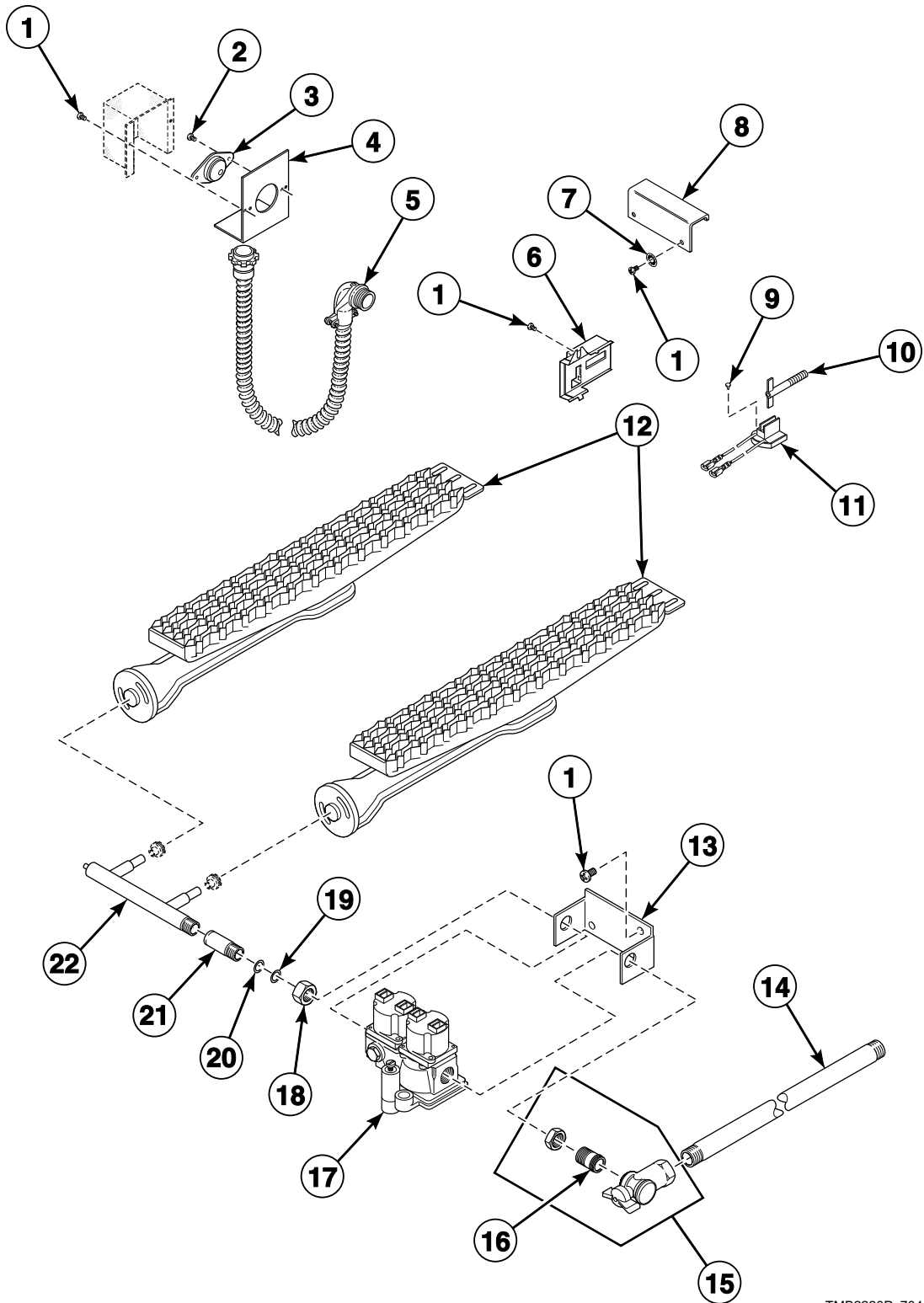
TMB2219P_70410801

Automatic Pilot Ignition Burner Assembly - 50 Pound Models

REF	PART NO.	DESCRIPTION	COMMENTS
	M4337P3	Igniter Kit	Liquid Petroleum Gas (L.P.); Includes items 18-21 and 23-27
	M4338P3	Igniter Kit	Natural Gas (N.G.); Includes items 18-21 and 23-27
1	M400664	Screw	
2	M402797	Screw	
3	M401404	Limit Thermostat	
4	M402798	Thermostat Bracket	
5	M4448P3	Burner Kit	Includes both burners
6	N/A	Bracket	
7	M400749	Pipe	
8	M4983P3	Shut-Off Valve Kit	
9	44092201	Tailpiece	1/2 inch NPT
	44092202	Tailpiece	1/2 inch BPT
10	M401224P	Gas Valve	N.G.; Regulated
	M401225P	Gas Valve Kit	L.P.; Unregulated
11	N/A	Pilot Filter	
12	M410011P	Pilot Ignition Control	Blue box
	M4385P3	Remote Igniter Kit	To replace gray box
13	M401548	Nut	
14	M400606	Washer	
15	M400605	Anti-Torque Ring	
16	M406681	Manifold Pipe Assembly	
17	N/A	Manifold	
18	M402594	Ignition Bracket	
19	M409385	Screw	
20	N/A	Screw	
21	M402598	Burner Orifice	L.P.
	M402701	Burner Orifice	N.G.
22	M401209P	Sensor Probe	
23	M402597	Wire Lead	
24	M400926	Nut	
25	M400925	Sleeve	Compression
26	M402596	Pilot Tubing	
27	M402591P	Pilot Electrode	
28	03815	Washer	

N/A = Part no longer available

Glow Bar Ignition Burner Assembly - 50 Pound Models Starting Jan 1982 (PA) Through Aug 1982 (PH)



TMB2220P_70410801

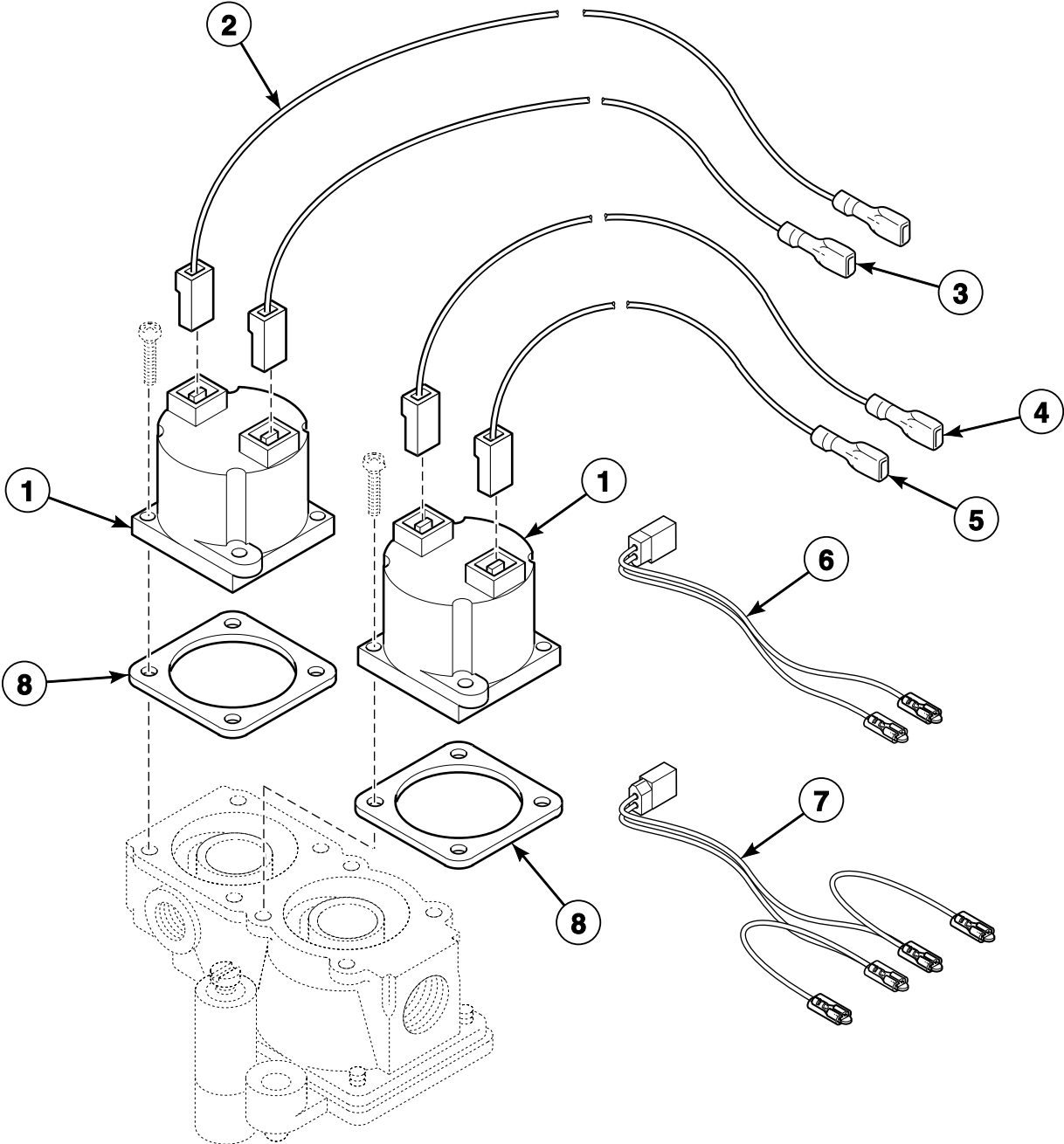
Glow Bar Ignition Burner Assembly - 50 Pound Models Starting Jan 1982 (PA) Through Aug 1982 (PH)

REF	PART NO.	DESCRIPTION	COMMENTS
1	M400664	Screw	
2	M402797	Screw	
3	M409433	Limit Thermostat	
4	M400838	Thermodisc Bracket	
5	M403824	Wire Harness Assembly	CG models
	N/A	Wire Harness Assembly	EG models
6	D510213	Sensor	
7	03815	Washer	
8	M402746	Deflector Shield	
9	51782	Screw	
10	55438P	Igniter	
11	M402745P	Igniter Bracket Assembly	
12	M4448P3	Burner Kit	Includes both burners
13	N/A	Bracket	
14	M400749	Pipe	
15	M4983P3	Shut-Off Valve Kit	
16	44092201	Tailpiece	1/2 inch NPT
	44092202	Tailpiece	1/2 inch BPT
17	M402750P	Gas Valve	Basotrol; Natural Gas (N.G.); Regulated; 120 Volt
	M403151P	Gas Valve	Basotrol; Liquid Petroleum Gas (L.P.); Unregulated; 120 Volt
18	M401548	Nut	
19	M400606	Washer	
20	M400605	Anti-Torque Ring	
21	M406681	Manifold Pipe Assembly	
22	N/A	Manifold	

N/A = Part no longer available

Glow Bar Ignition Gas Valve Components - 50 Pound Models

Models Starting January, 1982 (PA) Through August, 1982 (PH)



TMB2517P_70410801

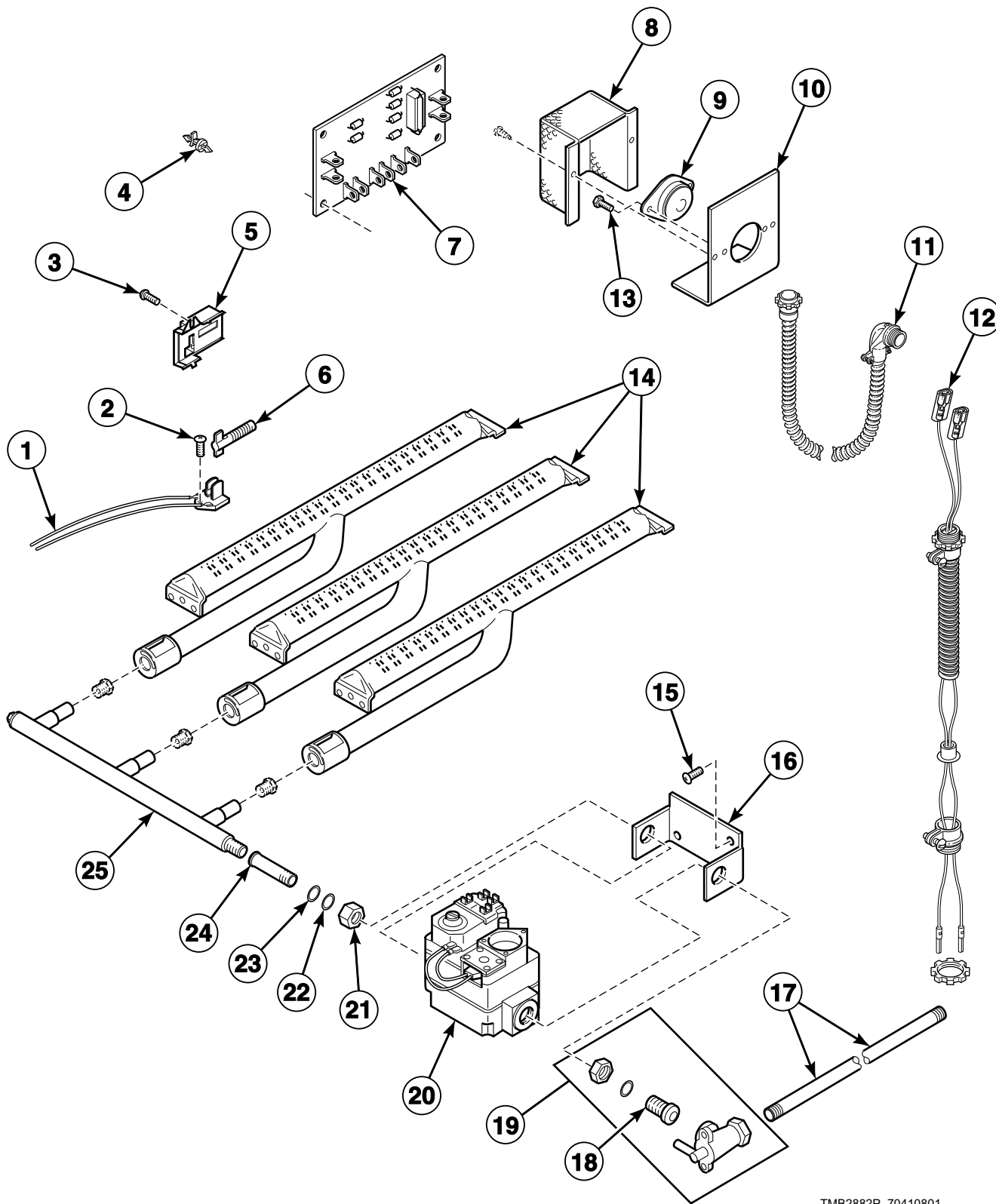
Glow Bar Ignition Gas Valve Components - 50 Pound Models

REF	PART NO.	DESCRIPTION	COMMENTS
1	M406217P	Magnetic Operator	120 Volt
2	M402824	Jumper Wire	Blue
3	N/A	Jumper Wire	Purple
4	M402823	Jumper Wire	Purple
5	M402825	Jumper Wire	Blue
6	M412997	Harness Assembly	CG models; OM control suffix
7	M413650	Gas Valve Harness Assembly	CG models; OM control suffix; Reversing and nonreversing; Australia
8	M400798	Gasket	

N/A = Part no longer available

Glow Bar Ignition Burner Assembly

Models Starting September, 1982 (PJ) Through May, 1991 (ZE)



TMB2882P_70410801

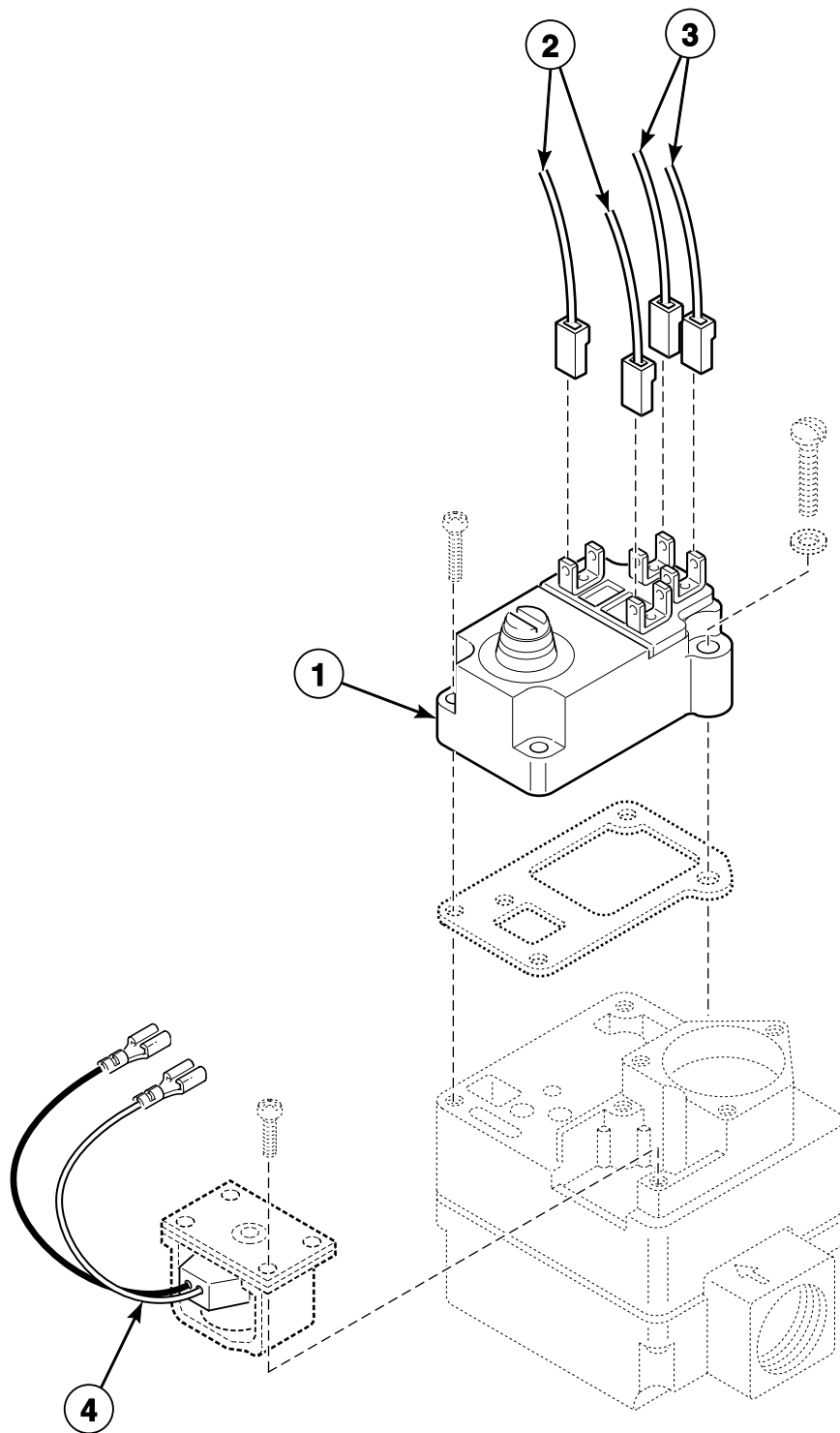
Glow Bar Ignition Burner Assembly

REF	PART NO.	DESCRIPTION	COMMENTS
	M4454P3	L.P. Conversion Kit	75CG models; Natural Gas (N.G.) to Liquid Petroleum Gas (L.P.)
	M4379P3	L.P. Conversion Kit	50CG models; N.G. to L.P.
	M4478P3	L.P. Conversion Kit	75EG models; N.G. to L.P.
	M4609P3	L.P. Conversion Kit	634 and FG models; N.G. to L.P.
	M413657P	Gas Stove Assembly	634 models
1	M402745P	Igniter Bracket Assembly	
2	51782	Screw	
3	M400664	Screw	
4	M405979	Circuit Board Support	
5	D510213	Sensor	
6	55438P	Igniter	
7	M405897P	Diode Logic Board	Located in front control area
8	M414477	Thermostat Cover	
9	M409433	Limit Thermostat	50 pound models
	M410220	Limit Thermostat	75EG models
	M401404	Limit Thermostat	All other 75 pound models
10	M400838	Thermodisc Bracket	50 pound models
	M406882	Thermostat Bracket	75 pound models
11	M403824	Wire Harness Assembly	50CG models
	N/A	Wire Harness Assembly	50EG models
12	M412920	Thermostat Harness	75 pound DC, JC and SC models; 230 Volt/50 Hertz/1 Phase; Cabinet mounted airflow switch
13	M402797	Screw	
14	M405919	Burner Assembly	2 required for 50 pound models; 3 required for 75 pound models; Models through Serial No. 724078ZF
	M410541P	Burner Assembly	2 required for 50 pound models; 3 required for 75 pound models; Models starting Serial No. 724079ZF
15	M405188	Screw	
16	N/A	Bracket	Models through Serial No. 724078ZF
	M406814	Gas Valve Bracket	Models starting Serial No. 724079ZF
17	M400749	Pipe	
18	44092201	Tailpiece	1/2 inch NPT
	44092202	Tailpiece	1/2 inch BPT
19	M4983P3	Shut-Off Valve Kit	
20	M4987P3	L.P. Gas Valve Kit	L.P.; Unregulated; 120 Volt
	M4986P3	N.G. Gas Valve Kit	N.G.; Regulated; 120 Volt
21	M401548	Nut	
22	M400605	Anti-Torque Ring	
23	M400606	Washer	
24	M406681	Manifold Pipe Assembly	
25	N/A	Manifold	50 pound models
	M406810	Spud Holder Assembly	75 pound models

N/A = Part no longer available

Glow Bar Ignition Gas Valve Coil and Wires

Models Starting September, 1982 (PJ) Through May, 1991 (ZE)



T043P_70410801

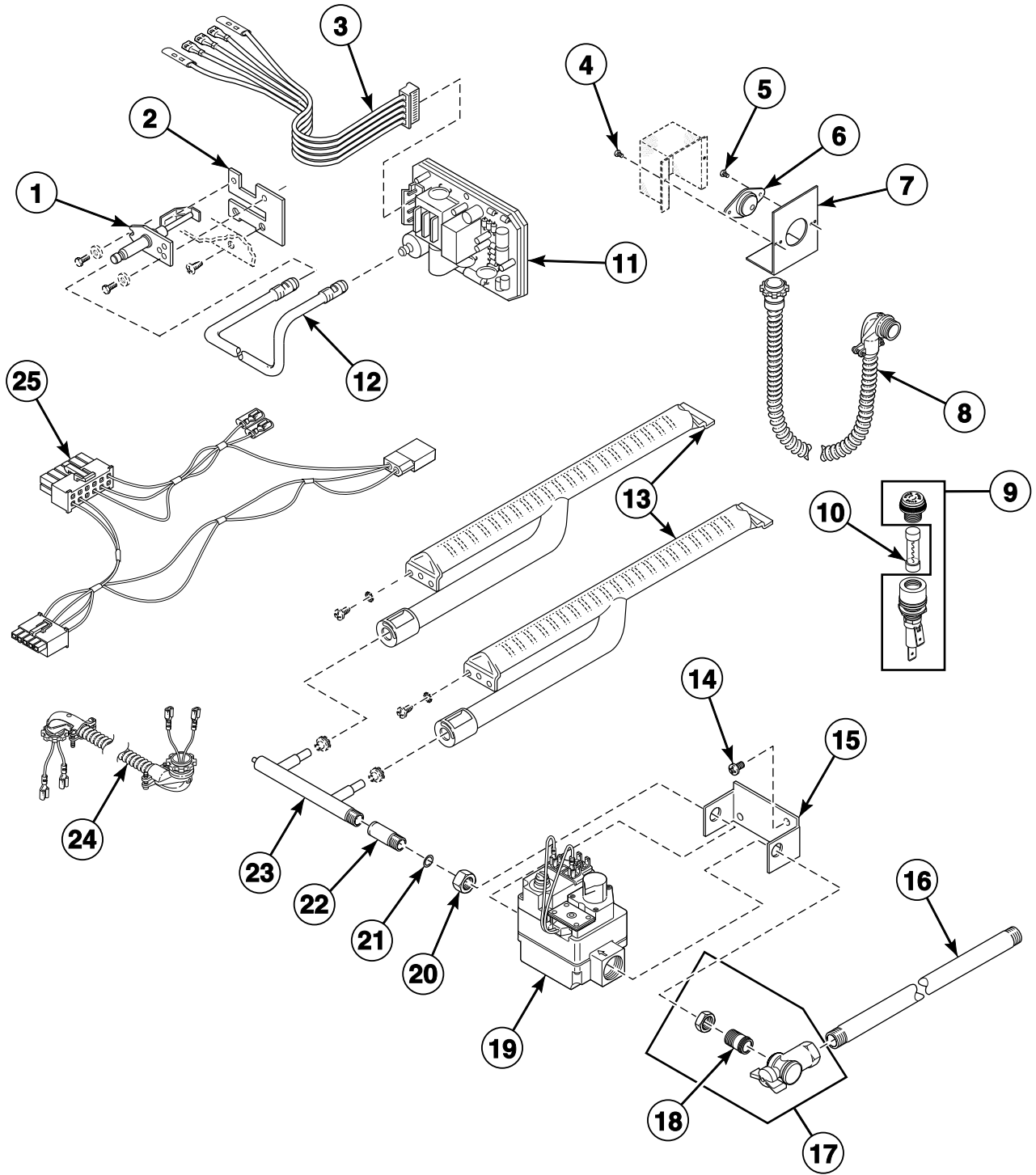
Glow Bar Ignition Gas Valve Coil and Wires

REF	PART NO.	DESCRIPTION	COMMENTS
	M405434P	L.P. Valve Conversion Kit	75 pound models; To convert new coil for use on Liquid Petroleum Gas (L.P.) models
1	M405430	Main Coil	
2	N/A	Jumper Wire	Purple
3	M404868	Jumper Wire	Blue
4	N/A	Redundant Coil	Not available as a separate part, order new valve

N/A = Part no longer available

Instant Electronic Ignition Burner Assembly

50 Pound Models Starting June, 1991 (ZF)



TMB2520P_70410801

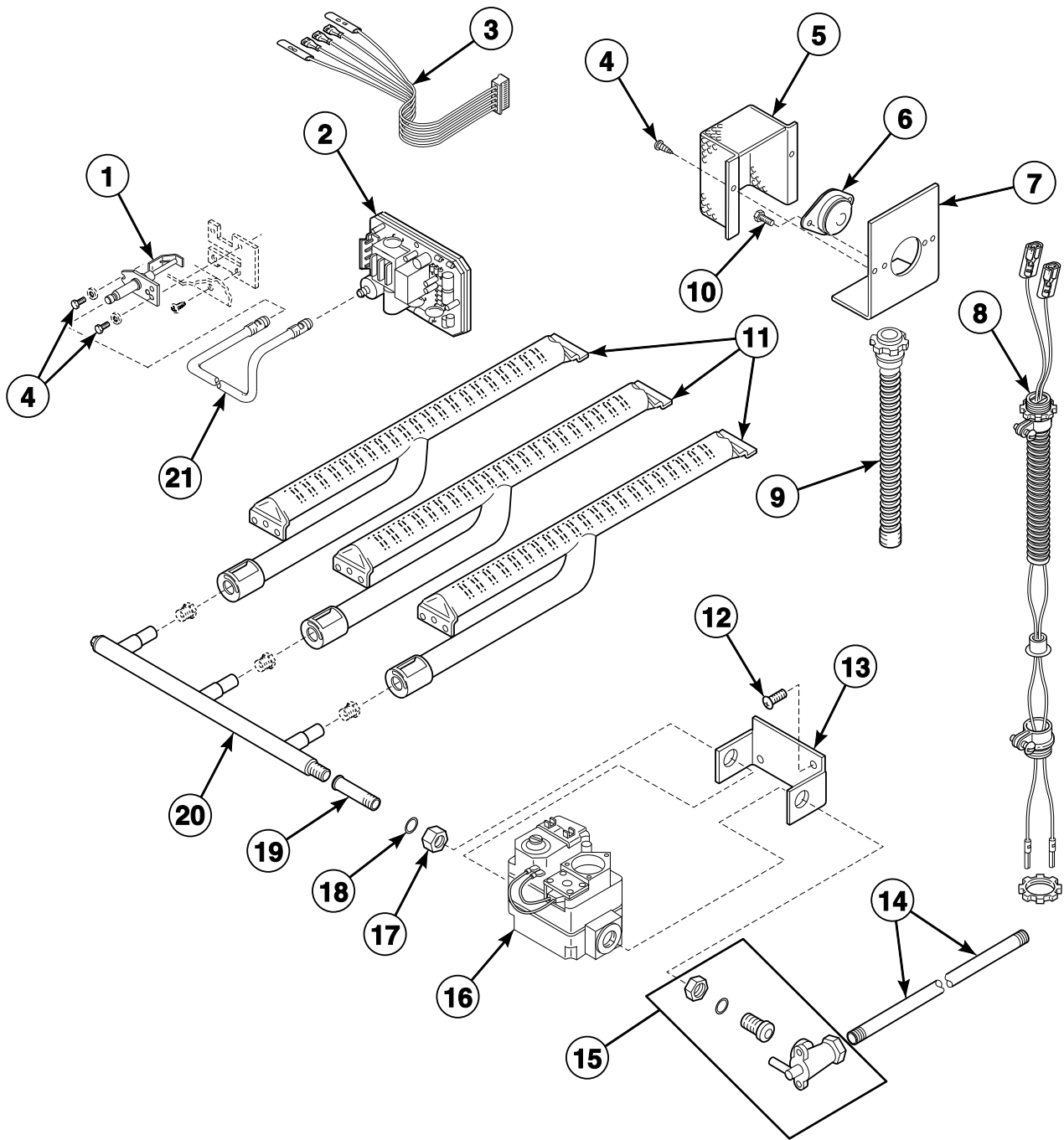
Instant Electronic Ignition Burner Assembly

REF	PART NO.	DESCRIPTION	COMMENTS
	M4379P3	L.P. Conversion Kit	CG models; Natrual Gas (N.G.) to Liquid Petroleum Gas (L.P.)
	M414795	Stove Assembly	
1	44328701P	Spark Electrode	
2	M406936	Bracket	
3	M410599	Wire Harness Assembly	
	M406880	Ignition Wire Harness Assembly	
4	M400664	Screw	
5	M402797	Screw	
6	M401404	Limit Thermostat	EG models
	M409433	Limit Thermostat	CG models
7	M400838	Thermodisc Bracket	
8	M403824	Wire Harness Assembly	EG models
	N/A	Wire Harness Assembly	CG models
9	91024P	Fuse Receptacle	
10	430836	Fuse	3/4 Amp; 250 Volt; DT, JT and ST models; 480 Volt/60 Hertz/3 Phase with MT control suffix
11	M406789P	Ignition Control	120 Volt
	44264601	Ignition Control Kit	24 Volt
12	M406881	High Voltage Lead	Use with M406789P or 70367301P Ignition Control
	44239704	High Voltage Suppression Cable	Use with 70458601P Ignition Control
13	M405919	Burner Assembly	2 required; Models through Serial No. 724077ZE
	M410541P	Burner Assembly	2 required; Models starting Serial No. 724078ZF
14	M405188	Screw	
15	M405945	Gas Valve Bracket	Models through Serial No. 724077ZE
	M406814	Gas Valve Bracket	Models starting Serial No. 724078ZF
16	M400749	Pipe	
17	M4983P3	Shut-Off Valve Kit	
18	44092201	Tailpiece	1/2 inch NPT
	44092202	Tailpiece	1/2 inch BPT
19	M409152P	Gas Valve Assembly	60 Hertz; N.G.; Regulated
	M409153P	Gas Valve Assembly	60 Hertz; L.P.; Unregulated
	M409517P	Gas Valve	50 Hertz; N.G.; Regulated
	M409561P	Gas Valve Assembly	50 Hertz; L.P.; Unregulated
	M413332P	Gas Valve	24 Volt; N.G.; Regulated
	M4909P3	Valve Replacement Kit	24 Volt; L.P.; Unregulated
20	M401548	Nut	
21	M400605	Anti-Torque Ring	
22	M406681	Manifold Pipe Assembly	
23	N/A	Manifold	Models through Serial No. 724077ZE
	M410546	Spud Holder Assembly	Models starting Serial No. 724078ZF
24	M412609	Stove Limit Harness Assembly	CG models; OM control suffix; Reversing and nonreversing; Airflow switch to stove high limit thermostat
25	M413678P	Control Box Harness Assembly	CG models; OM control suffix

N/A = Part no longer available

Gas Burner Components for Electronic Ignition

75 Pound Models



TMB2490P_70410801

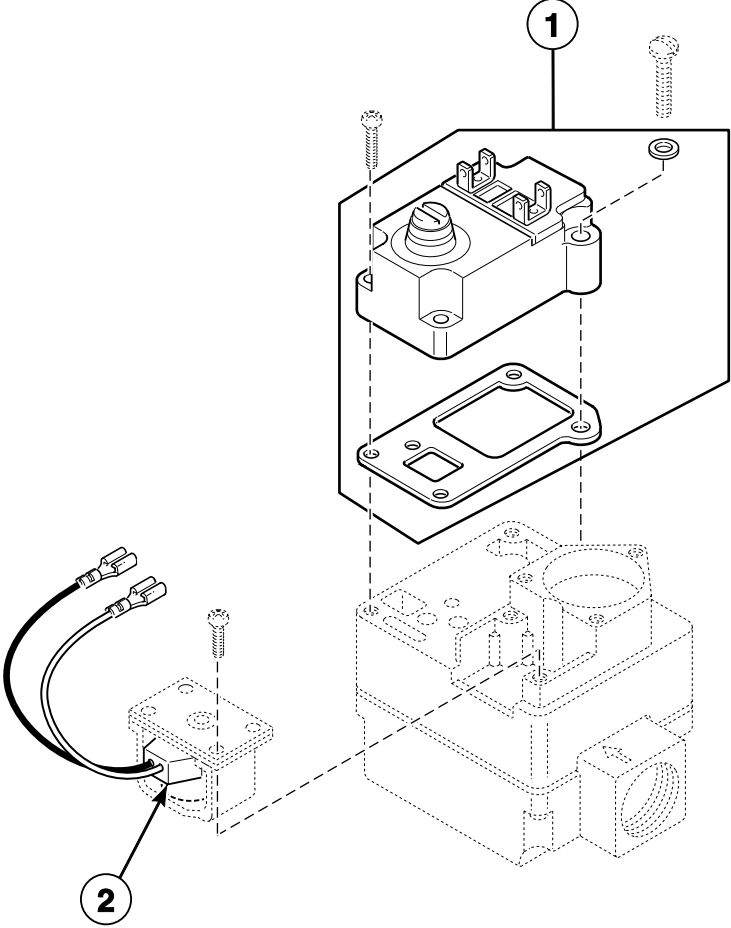
Gas Burner Components for Electronic Ignition

REF	PART NO.	DESCRIPTION	COMMENTS
	M4454P3	L.P. Conversion Kit	CG models; Used to convert Natural Gas (N.G.) to Liquid Petroleum Gas (L.P.)
	M4478P3	L.P. Conversion Kit	EG models; Used to convert N.G. to L.P.
	M4609P3	L.P. Conversion Kit	634 and FG models; Used to convert N.G. to L.P.
	M413657P	Gas Stove Assembly	634 models
	M414366	Gas Stove Assembly	All other models
1	44328701P	Spark Electrode	
2	M406789P	Ignition Control	MM and MT control suffixes; 120 Volt
	44264601	Ignition Control Kit	OM control suffix; 24 Volt
3	M406880	Ignition Wire Harness Assembly	MM and MT control suffixes
	M413678P	Control Box Harness Assembly	OM control suffix
4	M400664	Screw	
5	M414477	Thermostat Cover	
6	M410220	Limit Thermostat	634 and EG models
	M401404	Limit Thermostat	CG models
7	M406882	Thermostat Bracket	
8	M412920	Thermostat Harness	DC, JC and SC models; 230 Volt/50 Hertz/1 Phase; Cabinet mounted airflow switch
9	N/A	Stove Limit Wire Harness Assembly	MM and MT control suffixes
	M413691	Stove Limit Harness Assembly	OM control suffix
	M413499	Stove Limit Wire Harness Assembly	634 and FG models
10	M402797	Screw	
11	M405919	Burner Assembly	3 required; Models through Serial No. 724078ZF
	M410541P	Burner Assembly	3 required; Models starting Serial No. 724079ZF
12	M405188	Screw	
13	M406814	Gas Valve Bracket	Models starting Serial No. 724079ZF
	M405945	Gas Valve Bracket	Models through Serial No. 724078ZF
14	M400749	Pipe	
15	M4983P3	Shut-Off Valve Kit	
16	M409152P	Gas Valve Assembly	N.G.; CD, MM and MT control suffixes; 120 Volt/60 Hertz
	M409153P	Gas Valve Assembly	L.P.; CD, MM and MT control suffixes; 120 Volt/60 Hertz
	M409517P	Gas Valve	N.G.; CD, MM and MT control suffixes; 120 Volt/50 Hertz
	M409561P	Gas Valve Assembly	L.P.; CD, MM and MT control suffixes; 120 Volt/50 Hertz
	44138701P	Gas Valve Kit	L.P.; OM control suffix; 24 Volt/50 Hertz
	M4897P3	L.P. Gas Valve Kit	OM control suffix; 24 Volt/60 Hertz
	M413468P	Gas Valve Kit	N.G.; OM control suffix; 24 Volt/50 and 60 Hertz
17	M401548	Nut	
18	M400605	Anti-Torque Ring	
19	M406681	Manifold Pipe Assembly	
20	M406810	Spud Holder Assembly	
21	M406881	High Voltage Lead	Use with M406789P or 70367301P Ignition Control
	44239704	High Voltage Suppression Cable	Use with 70458601P Ignition Control

N/A = Part no longer available

Instant Electronic Ignition Gas Valve Coil and Wires

Models Starting June, 1991 (ZF)



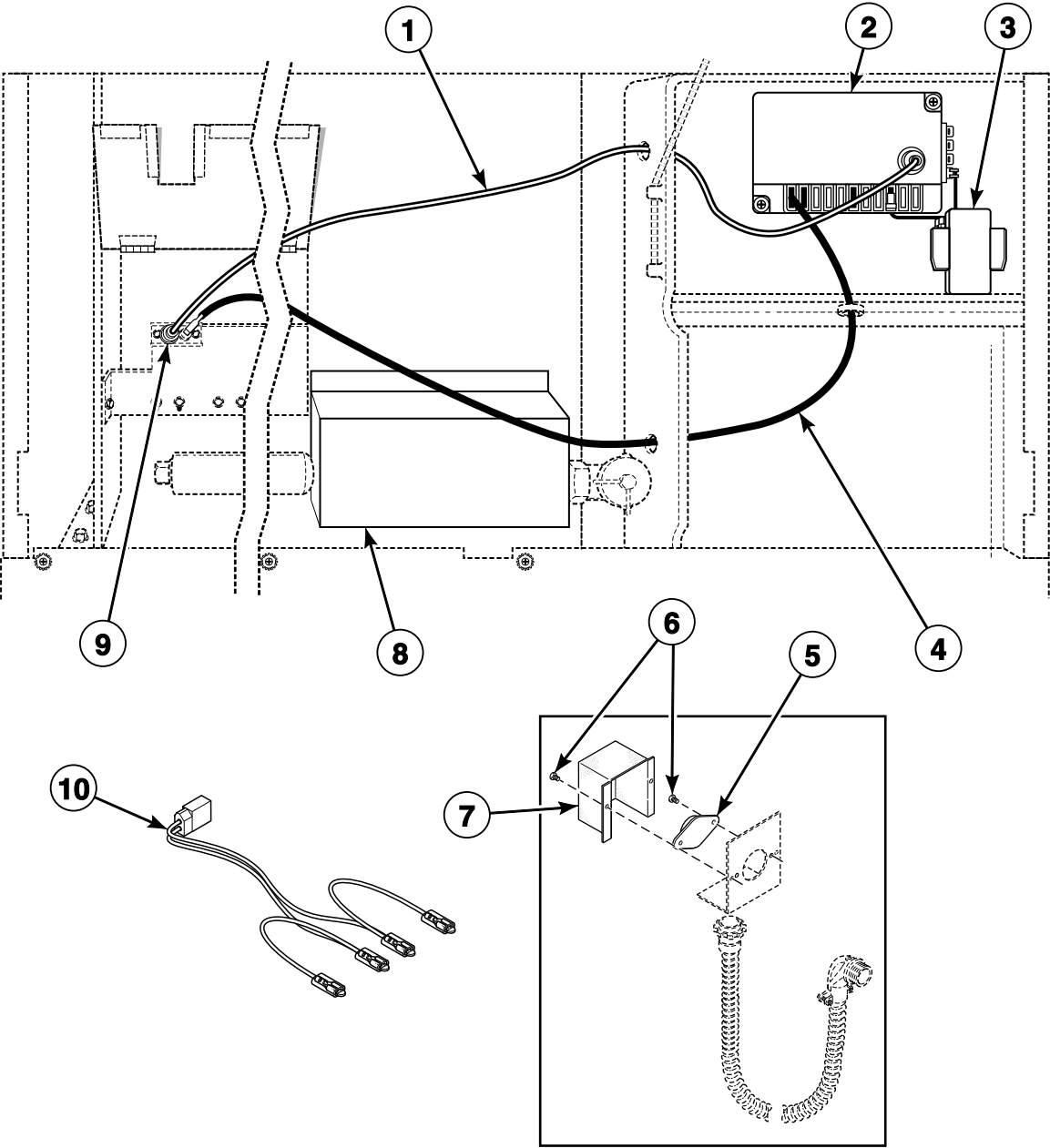
TMB2223P_70410801

Instant Electronic Ignition Gas Valve Coil and Wires

REF	PART NO.	DESCRIPTION	COMMENTS
	M405434P	L.P. Valve Conversion Kit	75 pound models; Included with M4454P3 L.P. Conversion Kit and M4478P3 L.P. Conversion Kit
1	M411134	Gas Valve Main Coil	120 Volt; Includes gasket
	44042901P	Gas Valve Coil	24 Volt; 60 Hertz
	M413332P	Gas Valve	50 pound models; 24 Volt; Natural Gas (N.G.); Regulated
	M4909P3	Valve Replacement Kit	50 pound models; 24 Volt; Liquid Petroleum Gas (L.P.); Unregulated
	M413468P	Gas Valve Kit	50 pound models; N.G.; 24 Volt/60 Hertz
	M409152P	Gas Valve Assembly	50 pound models; N.G.; 120 Volt/60 Hertz
	44154501P	Gas Valve	50 pound models; 50 Hertz; N.G.
	M4897P3	L.P. Gas Valve Kit	50 pound models; 60 Hertz; L.P.
	44138701P	Gas Valve Kit	50 pound models; 50 Hertz; L.P.
2	N/A	Redundant Coil	Not available as separate part, order new valve

N/A = Part no longer available

Burner Assembly for Australian Models



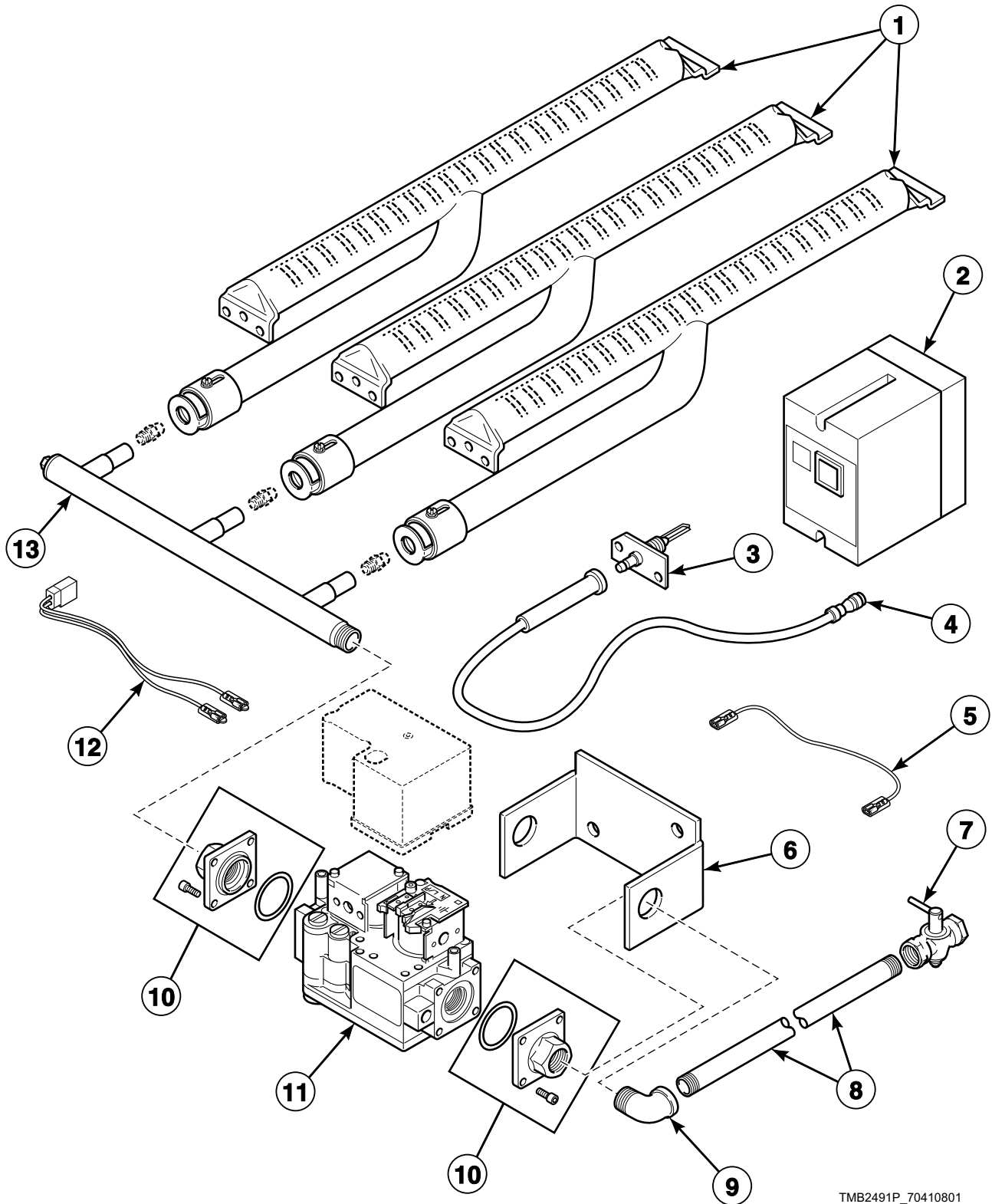
TMB2489P_70410801

Burner Assembly for Australian Models

REF	PART NO.	DESCRIPTION	COMMENTS
1	N/A	High Voltage Lead	
2	M410904P	Instant Electronic Ignition Control	24 Volt
3	N/A	Transformer	240 Volt Primary/24 Volt Secondary
4	N/A	Sensor Jumper Wire	
5	M411943	Manual Reset Thermostat	
6	M400664	Screw	
7	M414477	Thermostat Cover	
8	M410907P	Gas Valve	Natural Gas (N.G.)
	M410908	Gas Valve	Liquid Petroleum Gas (L.P.)
9	M410905P	Spark Igniter	
10	M413650	Gas Valve Harness Assembly	OM control suffix; Dual coil connection; Johnson gas valve

N/A = Part no longer available

Gas Valve Assembly for Dungs/B-M System



TMB2491P_70410801

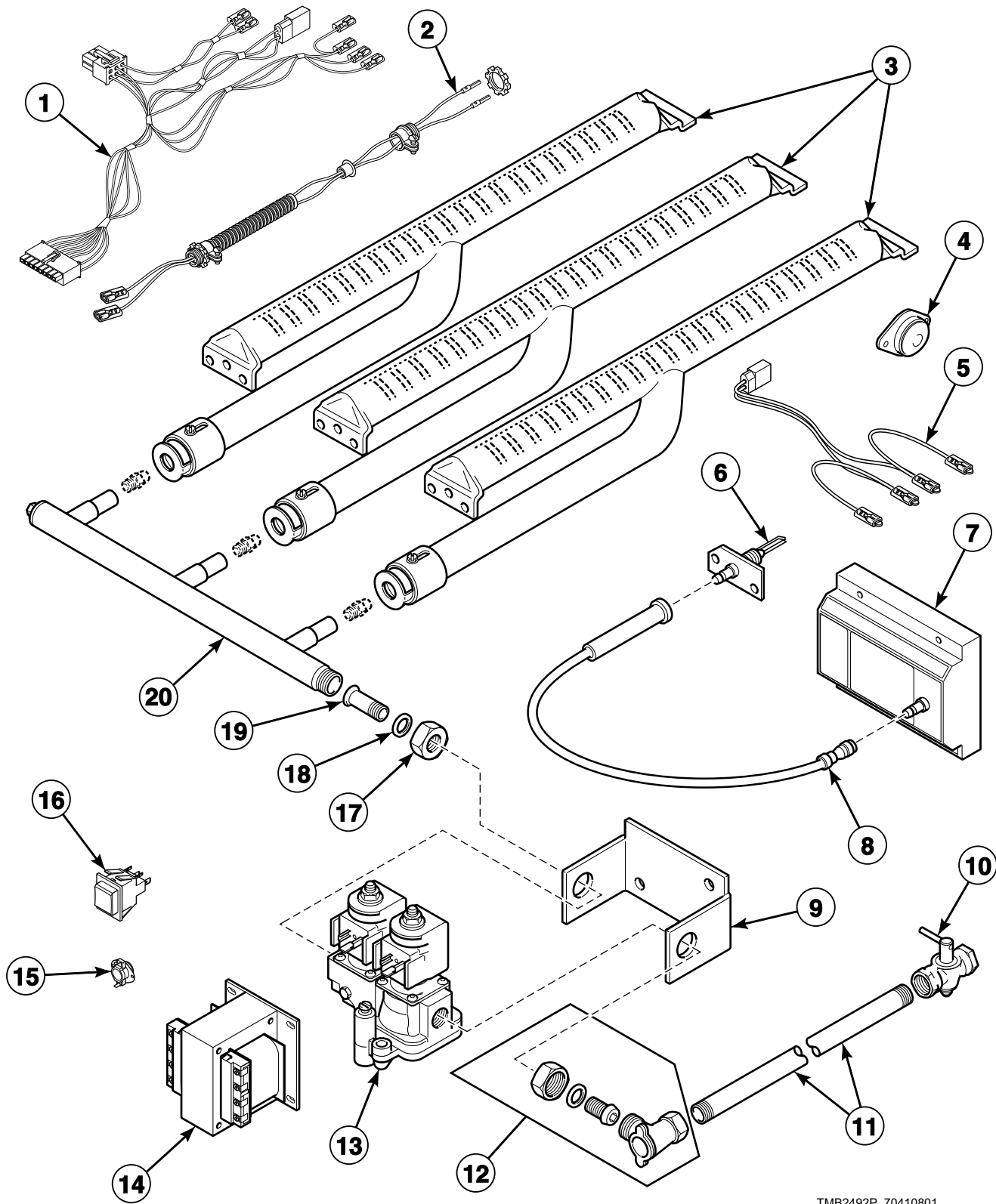
Gas Valve Assembly for Dungs/B-M System

REF	PART NO.	DESCRIPTION	COMMENTS
	607P3	Channel Ignition Kit	Replaces ignition control
1	M410541P	Burner Assembly	2 required for 50 pound models; 3 required for 75 pound models
2	M4898P3	Ignition Control	
3	44328701P	Spark Electrode	
4	N/A	Ignition Control Cable	
5	M412645	Jumper Wire Assembly	Ground
6	N/A	Gas Valve Bracket	
7	M412562P	Gas Shut-Off Valve	
8	M400749	Pipe	
9	H86070034	Street Elbow	
10	M412568	Gas Valve Flange Assembly	
11	N/A	Gas Valve	
12	M412997	Harness Assembly	DC, JC and SC models; OM control suffix; Single coil connection
13	N/A	Spud Holder	

N/A = Part no longer available

Gas System

Channel/Johnson



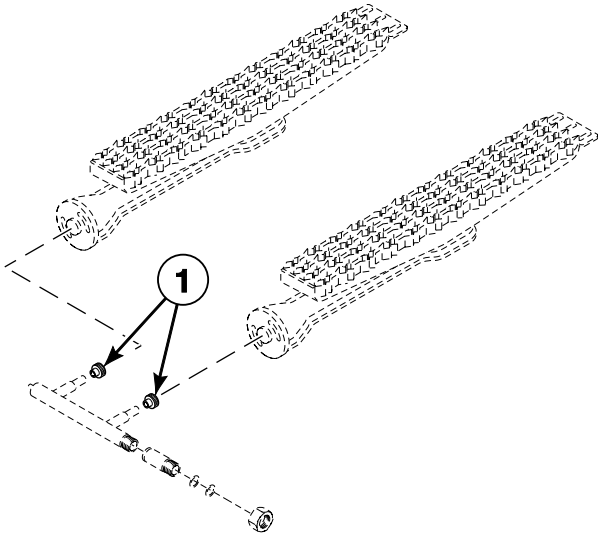
TMB2492P_70410801

Gas System

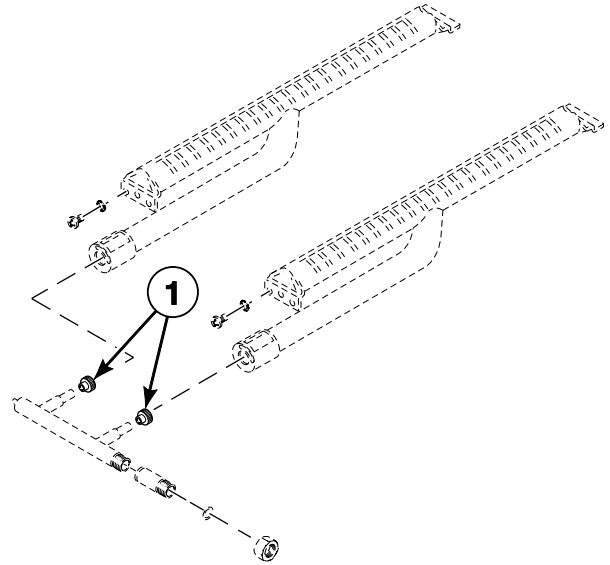
REF	PART NO.	DESCRIPTION	COMMENTS
1	M413548	Ignition Control Harness Assembly	75 pound DC, JC and SC models; Manual timer and mechanical coin drop with bulb thermostat
2	M412920	Thermostat Harness	75 pound DC, JC and SC models; 230 Volt/50 Hertz/1 Phase; Cabinet mounted airflow switch
3	M410541P	Burner Assembly	2 required for 50 pound models; 3 required for 75 pound models
4	N/A	Thermostat	
5	M413650	Gas Valve Harness Assembly	OM control suffix; Australian; Dual coil connection
6	44328701P	Spark Electrode	
7	70483201P	Ignition Control	
8	M406881	High Voltage Lead	
9	M406814	Gas Valve Bracket	
10	M412562P	Gas Shut-Off Valve	
11	M400749	Pipe	
12	M4983P3	Shut-Off Valve Kit	
13	M413332P	Gas Valve	
14	M413100P	Transformer	208-240 Volt/60 Hertz/3 Phase
15	M410220	Limit Thermostat	Manual reset
16	M413431	Pushbutton Switch	Lighted; DC, JC and SC models
17	M401548	Nut	
18	M400605	Anti-Torque Ring	
19	M413395	Manifold Pipe Assembly	
20	M410546	Spud Holder Assembly	50 pound models
	M406810	Spud Holder Assembly	75 pound models

N/A = Part no longer available

Burner Orifices - DT, JT, ST and TKD Models



**Standing Pilot Ignition
Automatic Pilot Ignition
Glow Bar Ignition
Models Starting January 1982 (PA)
Through August 1982 (PH)**



**Glow Bar Ignition
Models Starting September 1982 (PJ)
Through May 1991 (ZE)
Instant Electronic Ignition
Models Starting June 1991 (ZF)**

Note: 50 pound models use 2 orifices and 75 pound models use 3 orifices.

TMB2113P_70410801

Burner Orifices - DT, JT, ST and TKD Models

REF	PART NO.	DESCRIPTION	COMMENTS
1	M401021	Burner Orifice	Natural Gas (N.G.); Drill no. 30 (3.3 mm); EG models 0-2,000 feet; CG and FG models 4,001-8,000 feet
	M401017	Burner Orifice	N.G.; Drill no. 31 (3.0 mm); EG models 2,001-6,000 feet; CG and FG models 6,001-10,000 feet
	N/A	Burner Orifice	N.G.; Drill no. 32 (2.9 mm); EG models 6,001-8,000 feet
	M401022	Burner Orifice	N.G.; Drill no. 33 (2.9 mm); EG models 8,001-10,000 feet
	M401001	Burner Orifice	Liquid Petroleum Gas (L.P.); Drill no. 48 (1.9 mm); EG models 0-2,000 feet; CG and FG models 6,001-8,000 feet
	N/A	Burner Orifice	L.P.; Drill no. 49 (1.8 mm); EG models 2,001-4,000 feet; CG and FG models 8,001-10,000 feet
	M401016	Burner Orifice	L.P.; Drill no. 50 (1.8 mm); EG models 4,001-6,000 feet
	M401019	Burner Orifice	L.P.; Drill no. 51 (1.7 mm); EG models 6,001-8,000 feet
	M401025	Burner Orifice	L.P.; Drill no. 52 (1.6 mm); EG models 8,001-10,000 feet
	M401002	Burner Orifice	N.G.; Drill no. 20 (4.1 mm); Models DTB634 and STB634 0-2,000 feet
	M401020	Burner Orifice	N.G.; Drill no. 23 (3.9 mm); Models DTB634 and STB634 2,001-4,000 feet
	M402997	Burner Orifice	N.G.; Drill no. 25 (3.8 mm); Models DTB634 and STB634 4,001-6,000 feet
	M400998	Burner Orifice	N.G.; Drill no. 27 (3.7 mm); Models DTB634 and STB634 6,001-8,000 feet
	M400997	Burner Orifice	N.G.; Drill no. 29 (3.4 mm); Models DTB634 and STB634 8,001-10,000 feet
	N/A	Burner Orifice	L.P.; Drill no. 40 (2.5 mm); Use M4743P3 L.P. Valve Kit to replace; Models DTB634 and STB634 0-2,000 feet
	M403017	Burner Orifice	L.P.; Drill no. 42 (2.4 mm); Models DTB634 and STB634 2,001-4,000 feet
	M406184	Burner Orifice	L.P.; Drill no. 43 (2.3 mm); Models DTB634 and STB634 4,001-6,000 feet
	M401011	Burner Orifice	L.P.; Drill no. 44 (2.2 mm); Models DTB634 and STB634 6,001-8,000 feet
	M401027	Burner Orifice	L.P.; Drill no. 45 (2.1 mm); Models DTB634 and STB634 8,001-10,000 feet
	M401014	Burner Orifice	N.G.; Drill no. 28 (3.6 mm); CG and FG models 0-2,000 feet
	M400997	Burner Orifice	N.G.; Drill no. 29 (3.4 mm); CG and FG models 2,001-4,000 feet
	M401027	Burner Orifice	L.P.; Drill no. 45 (2.1 mm); CG and FG models 0-2,000 feet
	M401003	Burner Orifice	L.P.; Drill no. 46 (2.1 mm); CG and FG models 2,001-4,000 feet
	M400999	Burner Orifice	L.P.; Drill no. 47 (2.0 mm); CG and FG models 4,001-6,000 feet

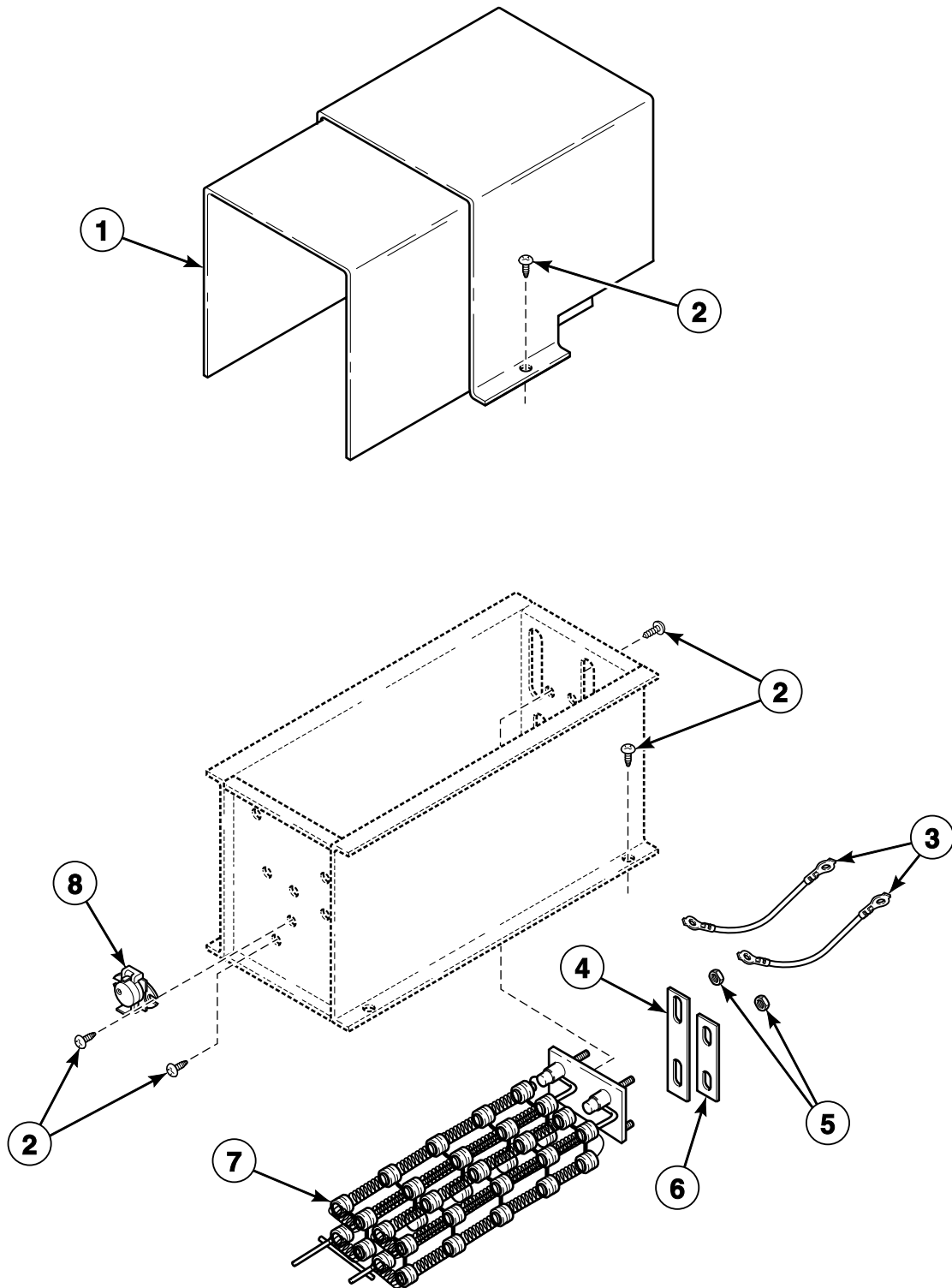
N/A = Part no longer available

NOTE: For CE gas and orifice information, refer to Installation Manual.

NOTE: 50 pound models use 2 orifices and 75 pound models use 3 orifices.

Electric Heater Components and Thermostat (Drawing 1 of 3)

50 Pound Models Through Serial No. 9412024947 and 75 Pound Models Through Serial No. 9304053995



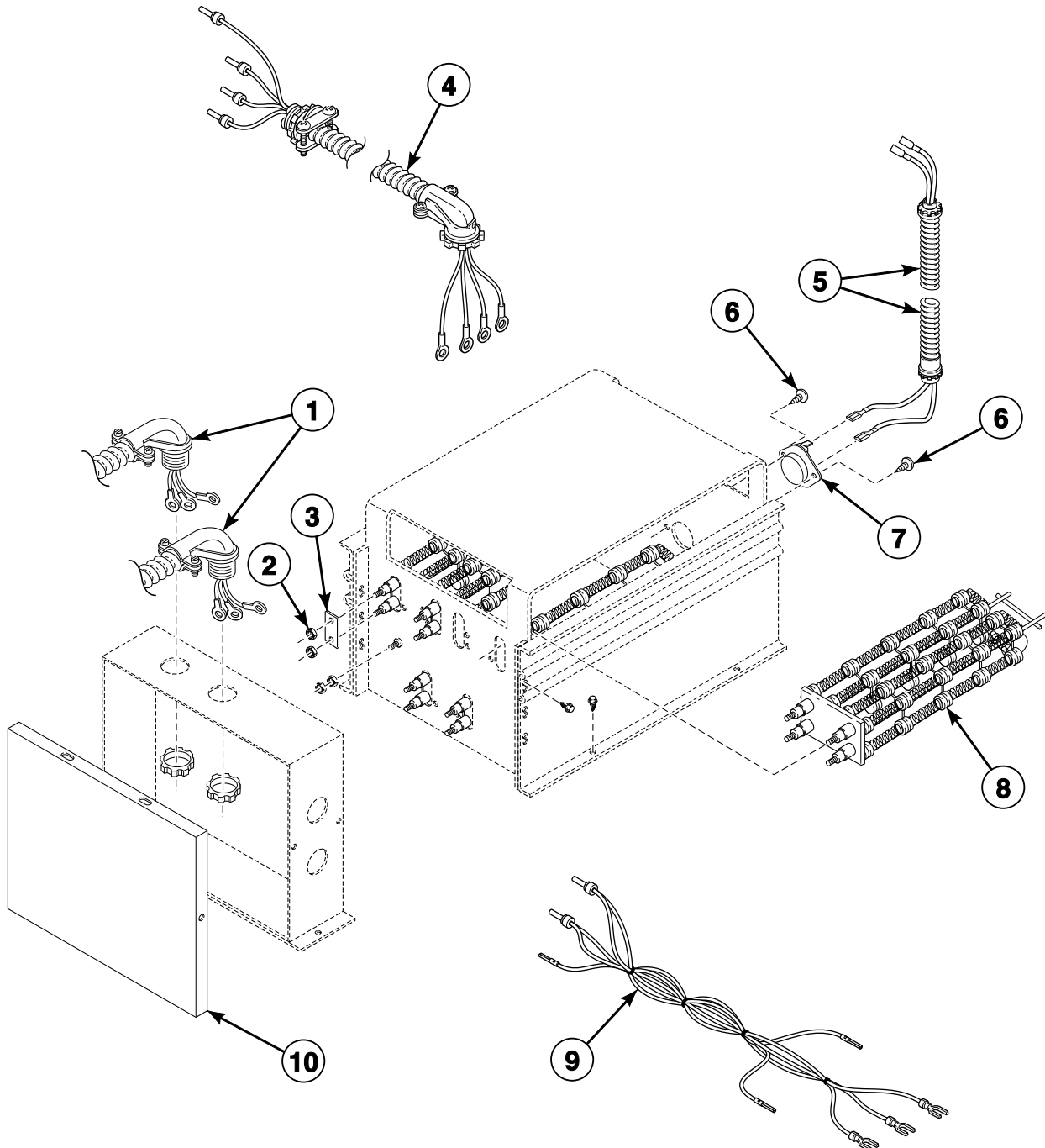
TMB2263P_70410801

Electric Heater Components and Thermostat (Drawing 1 of 3)

REF	PART NO.	DESCRIPTION	COMMENTS
1	M401159	Hood Assembly	
2	M400664	Screw	
3	M401281	Jumper Wire Assembly	6 required for 208 or 240 Volt; 3 required for 380, 415 or 480 Volt
	M403743	Jumper Wire Assembly	1 required for 480 Volt
4	M400866	Jumper Bar	6 required for 208 or 240 Volt; 3 required for 380-415 Volt; 2 required for 480 Volt
5	Q6163	Nut	
6	M400869	Jumper Strip	6 required for 208-240 Volt and 380-415 Volt; 3 required for 480 Volt
7	M405253P	Heater Element	3 required; 21 kW; 7 kW; Models through Serial No. 9303030868
	M405254P	Heater Element	3 required; 208 Volt/60 Hertz; 10 kW; Models through Serial No. 9303030868
	M405255P	Heater Element	3 required; 380 Volt/50 Hertz; 10 kW; 220 Volt; Models through Serial No. 9303030868
	M405256P	Heater Element	3 required; 240 or 480 Volt/60 Hertz; 415 Volt/50 Hertz; 10 kW; 240 Volt; Models through Serial No. 9303030868
	M410939P	Heater Element	3 required; 240 or 480 Volt/60 Hertz; 415 Volt/50 Hertz; 10 kW; 240 Volt; Models starting Serial No. 9303030869 through Serial No. 9412024947
	M410940P	Heater Element	3 required; 208 Volt/60 Hertz; 10 kW; Models starting Serial No. 9303030869 through Serial No. 9412024947
	M410941P	Heater Element	3 required; 380 Volt/50 Hertz; 10 kW; 220 Volt; Models starting Serial No. 9303030869 through Serial No. 9412024947
8	M4347P3	Thermostat Kit	Replaces older flat faced stat
	M405943	Limit Thermostat	Raised face type

Electric Heater Components and Thermostat (Drawing 2 of 3)

DC, JC and SC Models - 50 Pound Models Starting Serial No. 9412024948 and
75 Pound Models Starting Serial No. 9304053996



TMB2883P_70410801

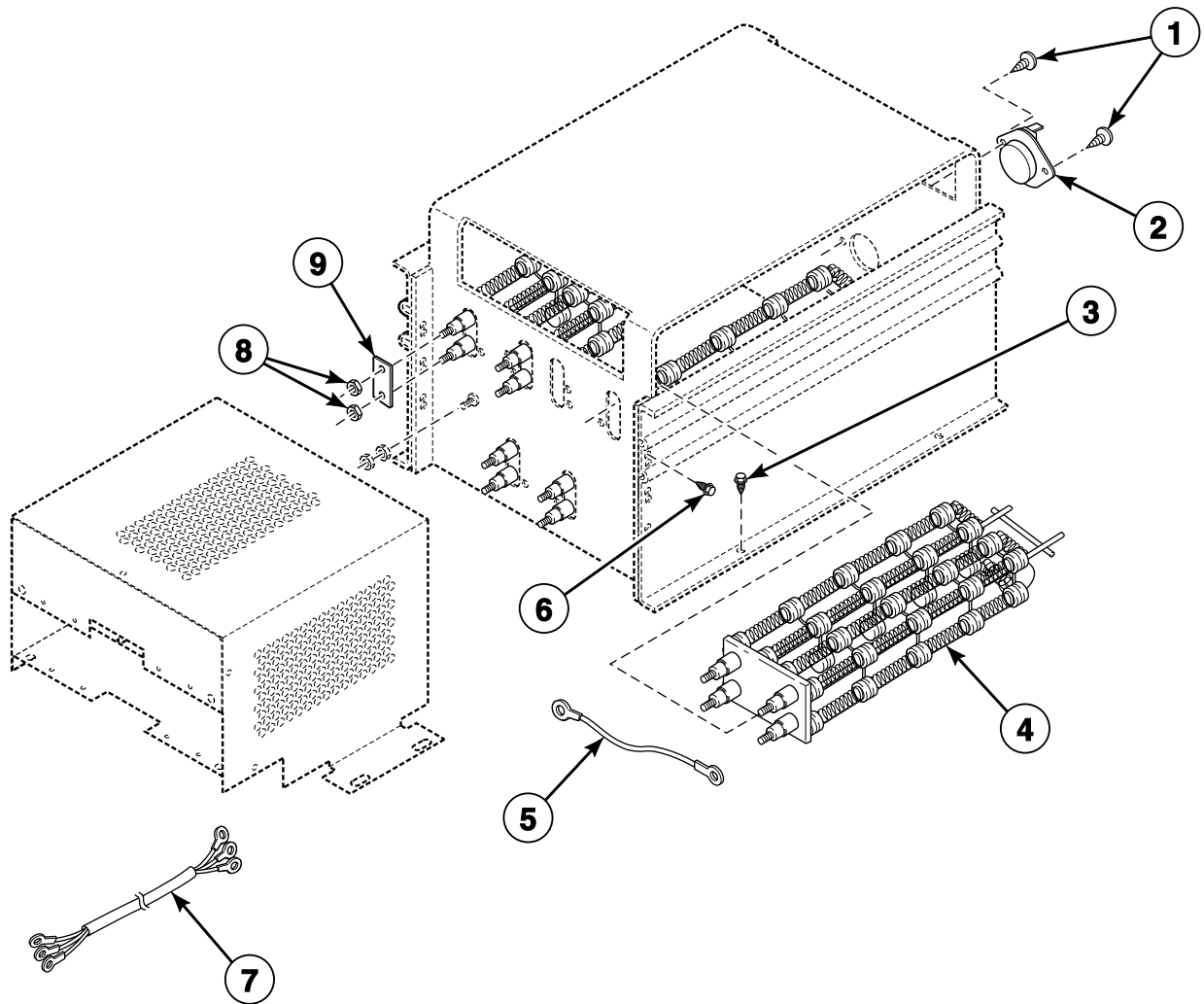
Electric Heater Components and Thermostat (Drawing 2 of 3)

REF	PART NO.	DESCRIPTION	COMMENTS
1	M412287	Jumper Wire Assembly	1 required for 380 or 415 Volt; 2 required for 480 Volt
	M401281	Jumper Wire Assembly	Nonreversing; Contactor to heater; 8 gauge; 6 required for 208-240 Volt; 3 required for 380, 415 or 480 Volt
	N/A	Jumper Wire Assembly	Reversing; Heater to contactor; 2 required for 208-240 Volt; 1 required for 380, 415 or 480 Volt
2	70054	Nut	
	Q6163	Nut	
3	M400866	Jumper Bar	1 required for 380, 415 or 480 Volt
	M400869	Jumper Strip	6 required for all models except 480 Volt; 3 required for 480 Volt
4	M412801	Heater Cable Harness Assembly	240 or 400 Volt/3 Phase; Ground; 8 gauge; H1-H3
	M412802	Heater Cable Harness Assembly	230 Volt/50 Hertz/3 Phase; 8 gauge; H4-H6
5	N/A	Cord Assembly	
6	33562	Screw	
7	M410220	Limit Thermostat	50 pound models
	M409433	Limit Thermostat	75 pound models
8	M410939P	Heater Element	3 required; 10 kW; 240, 415 or 480 Volt/50 Hertz/3 Phase
	M410940P	Heater Element	3 required; 10 kW; 208 Volt
	M410941P	Heater Element	3 required; 10 kW; 380 Volt/50 Hertz/3 Phase
	M412955P	Heater Element	3 required; 7 kW; 240 Volt/50 Hertz/1 Phase
9	M412871	Jumper Harness Assembly	Manual timer; 230 Volt/50 Hertz/3 Phase
10	M412316	Electric Hood	Rear

N/A = Part no longer available

Electric Heater Components and Thermostat (Drawing 3 of 3)

DT, JT, ST and TKD Models - 50 Pound Models Starting Serial No. 9412024948 and
75 Pound Models Starting Serial No. 9304053996

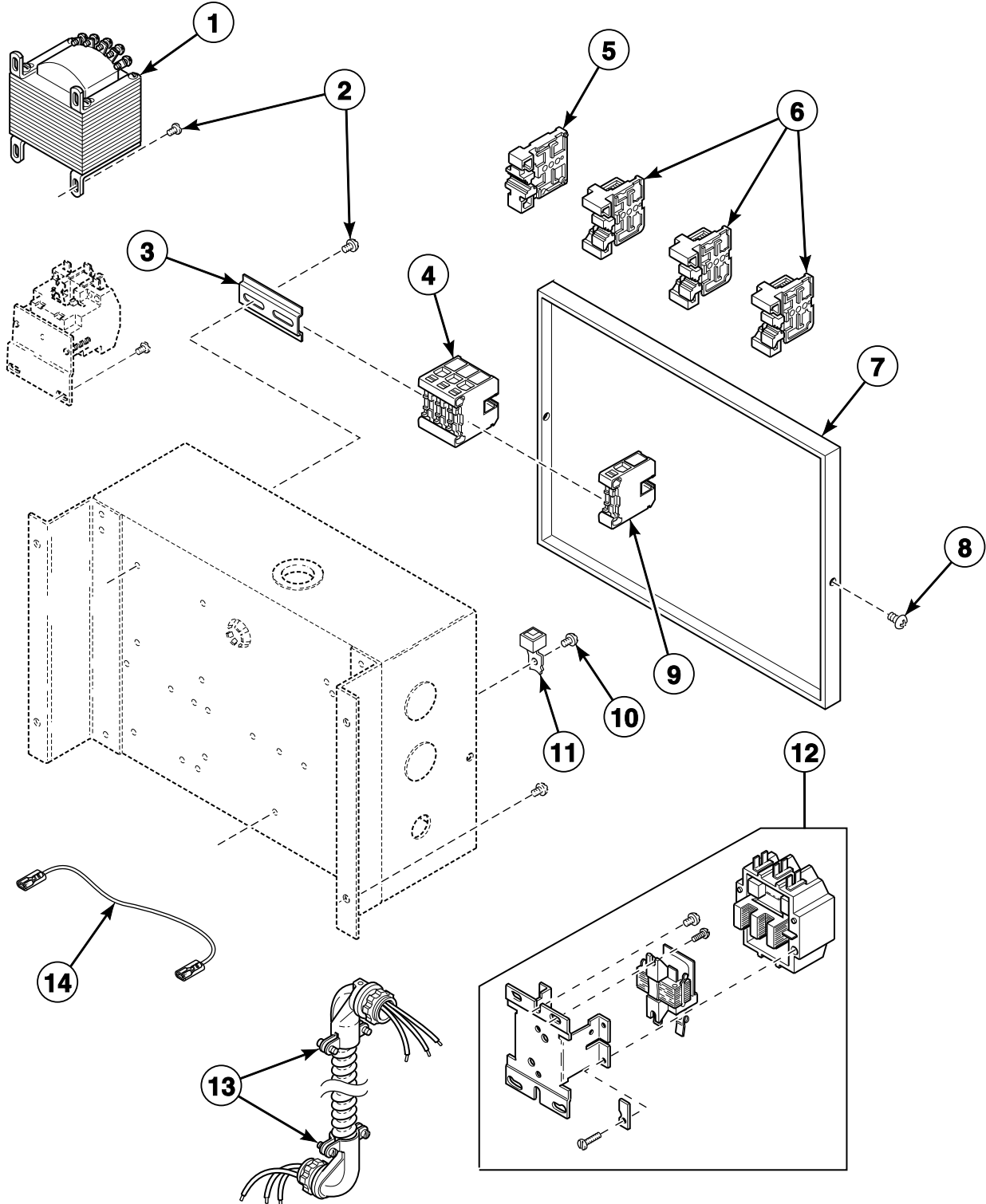


TMB1249P_70410801

Electric Heater Components and Thermostat (Drawing 3 of 3)

REF	PART NO.	DESCRIPTION	COMMENTS
1	33562	Screw	
2	M409433	Limit Thermostat	50 pound models; 21 kW; 240 Volt/50 Hertz/1 Phase; Use with 7 kW heater element
	M410220	Limit Thermostat	30 kW; Use with 10 kW heater element
3	430497	Screw	
4	M410939P	Heater Element	10 kW; 240 Volt; 3 required for 240 Volt/50 or 60 Hertz/3 Phase, 400-415 Volt/50 Hertz/3 Phase and 480 Volt/60 Hertz/3 Phase
	M410940P	Heater Element	10 kW; 208 Volt; 3 required for 200 Volt/50 Hertz/3 Phase and 200-208 Volt/60 Hertz/3 Phase
	M410941P	Heater Element	10 kW; 220 Volt; 3 required for 380 Volt/50 or 60 Hertz/3 Phase and 440 Volt/60 Hertz/3 Phase
	M412955P	Heater Element	50 pound models; 7 kW; 240 Volt/50 Hertz/1 Phase
5	M412287	Jumper Wire Assembly	1 required for 380 Volt/50 Hertz/3 Phase and 400-415 Volt/50 Hertz/3 Phase; 2 required for 480 Volt/60 Hertz/3 Phase
6	70240301	Screw	
7	M413959	Heater Cable Assembly	OM control suffix; 8 gauge; H1-H3; 200 Volt/50 Hertz/3 Phase, 200-208 Volt/60 Hertz/3 Phase, 240 Volt/60 Hertz/3 Phase, 380 Volt/50 Hertz/3 Phase, 400-415 Volt/50 Hertz/3 Phase, 480 Volt/60 Hertz/3 Phase and 240 Volt/50 Hertz/1 Phase
	M413960	Heater Cable Assembly	OM control suffix; 8 gauge; H4-H6; 200 Volt/50 Hertz/3 Phase, 200-208 Volt/60 Hertz/3 Phase, 240 Volt/60 Hertz/3 Phase and 240 Volt/50 Hertz/1 Phase
8	70054	Nut	
9	M400866	Jumper Bar	380 Volt/50 Hertz/3 Phase, 400-415 Volt/50 Hertz/3 Phase and 480 Volt/60 Hertz/3 Phase
	M400869	Jumper Strip	3 required for 480 Volt/60 Hertz/3 Phase; 6 required for all others

Electric Heat Contactor Box Components



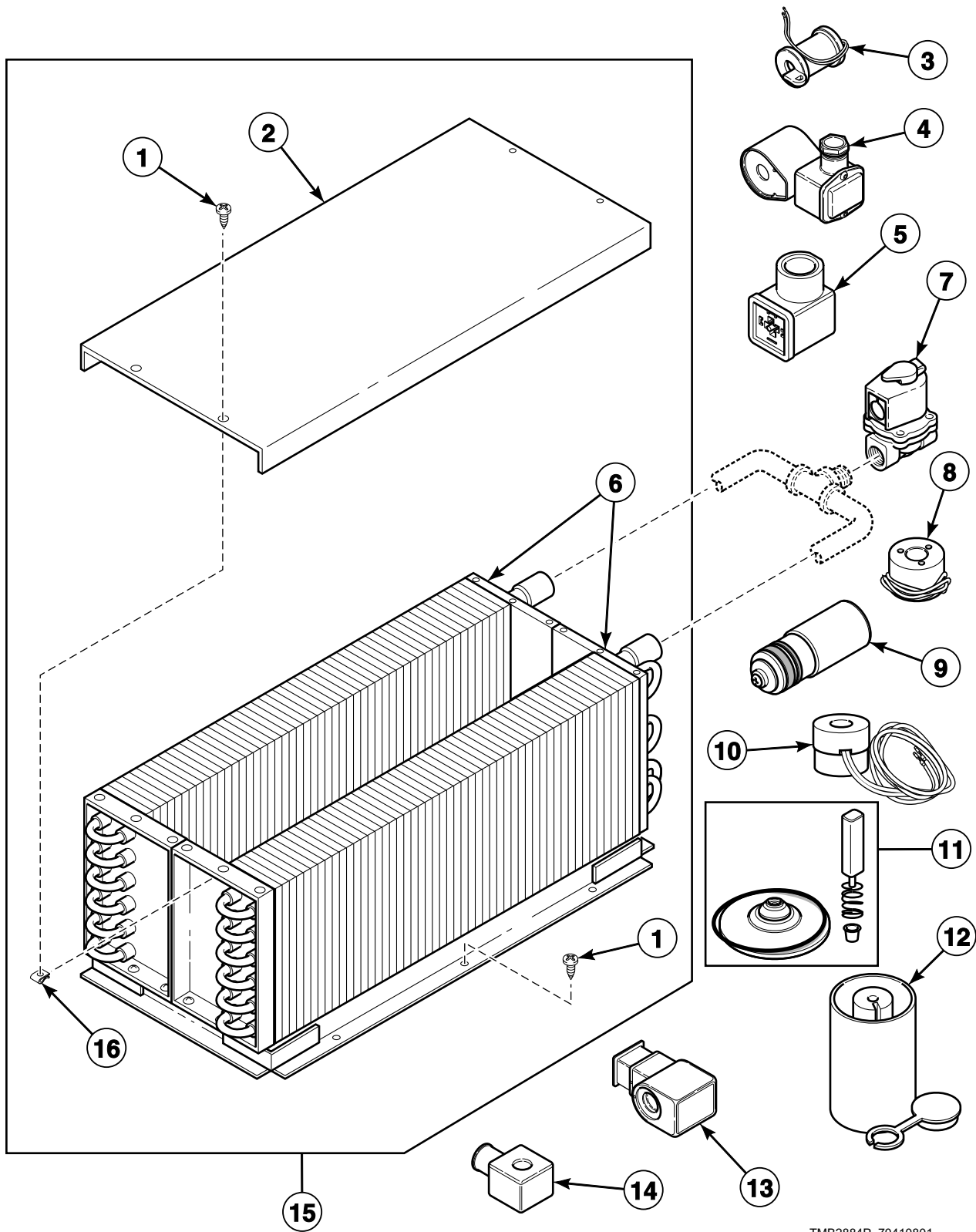
TMB2494P_70410801

Electric Heat Contactor Box Components

REF	PART NO.	DESCRIPTION	COMMENTS
1	M401391P	Transformer	480 Volt and some later 208-240 Volt/3 Phase models
2	M400044	Screw	50 pound models
	51780	Screw	75 pound models
3	N/A	Din Rail	Models through Serial No. 9409xxxxx
4	M412045P	Terminal Block	Models starting Serial No. 9409xxxxx
5	M400685	Terminal Block	3 required for 208-240 or 480 Volt; 2 required for 240 Volt/1 Phase; 4 required for 380 or 415 Volt/3 Phase
6	M400681	Terminal Block End	
7	M414351	Contactor Box Cover	
8	430497	Screw	50 pound models
	M400664	Screw	75 pound models
9	M412042	Terminal Block	380 or 415 Volt/50 Hertz
10	M402917	Screw	Ground
11	M411283	Ground Lug Connector	
12	M405116P	Contactor	120 or 480 Volt
	M400905P	Contactor	2 required for 208-240 Volt; 1 required for 380 or 415 Volt
13	N/A	Wire Harness Assembly	75 pound models; Nonreversing with junction box; 208-240, 380 or 415 Volt
14	M412117	Jumper Wire Assembly	75 pound models; 6 required for 208-240 Volt/3 Phase; 3 required for 380, 415 or 480 Volt/3 Phase
	M412116	Jumper Wire Assembly	75 pound models; 6 required for 240 Volt/1 Phase

N/A = Part no longer available

Steam Heater and Valve



TMB2884P_70410801

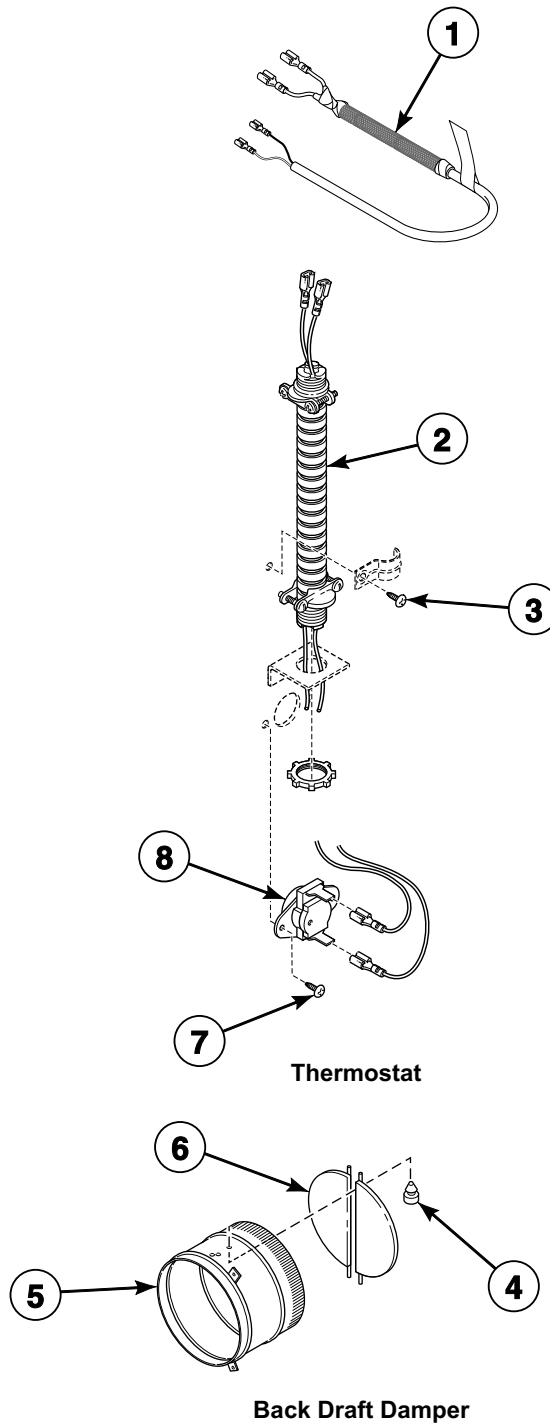
Steam Heater and Valve

REF	PART NO.	DESCRIPTION	COMMENTS
1	430497	Screw	
2	M400828	Low Pressure Steam Cover	
3	M412258	Steam Valve Coil	For 70351002 Steam Valve (Danfoss; 24 Volt/50 Hertz)
	M413301	Steam Valve Coil	For M413297 Steam Valve; 208-240 Volt/60 Hertz
	M413302	Steam Valve Coil	For M413298 Steam Valve; 240 Volt/50 Hertz
	70205701P	Steam Valve Coil	For 70351001P Steam Valve; 24 Volt/60 Hertz
4	M413299P	Steam Valve Coil	For M413295 Steam Valve; 120 Volt/60 Hertz
5	70370301P	Solenoid Valve DIN Connector	
6	M400636P	Steam Coil	9 inches high; 2 required
	M400637P	Steam Coil	15 inches high; 2 required
7	F951P3	Steam Valve Kit	208-240 Volt/60 Hertz; For M413301 Steam Valve Coil
	M413298P	Steam Valve	240 Volt/50 Hertz; For M413302 Steam Valve Coil
	F8322903	Steam Valve	24 Volt/50 Hertz; DC, JC and SC models; DT, JT and ST models with OM control suffix
	F8322902	Steam Valve	24 Volt/60 Hertz; OM control suffix
8	N/A	Coil	For M413295 Steam Valve (Asco No. 8222E3); 120 Volt/50 or 60 Hertz
9	M400152	Valve Repair Kit	For M413295 Steam Valve and M401377 Steam Valve (Asco No. 8222E3)
10	M401383	Steam Valve Coil	For M401379 Steam Valve (Asco No. 8222B95); 240 Volt/50 or 60 Hertz
11	M412259	Steam Valve Rebuild Kit	For M413295P, M413297P and M413298P Steam Valves
	F8379502	Valve Rebuild Kit	For F8322903 and F8322902 Steam Valves
12	M401384	Valve Repair Kit	For M413295 Steam Valve and M401379 Steam Valve (Asco No. 8222B95)
13	70351012	Steam Solenoid	For 70351002 Steam Valve; 24 Volt/50 Hertz
14	70351011P	Steam Solenoid	For 70351001P Steam Valve; 24 Volt/60 Hertz
15	M413572P	Steam Heater Assembly	15 inch
16	M400974	Clip	

N/A = Part no longer available

Cabinet High Limit Thermostat and Backdraft Damper

Gas Models



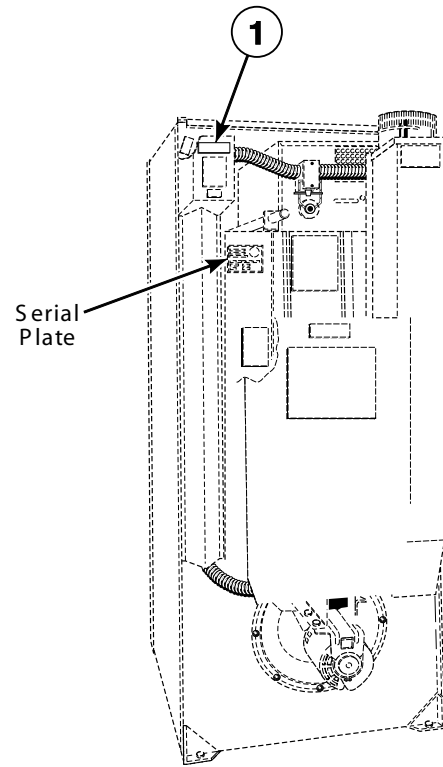
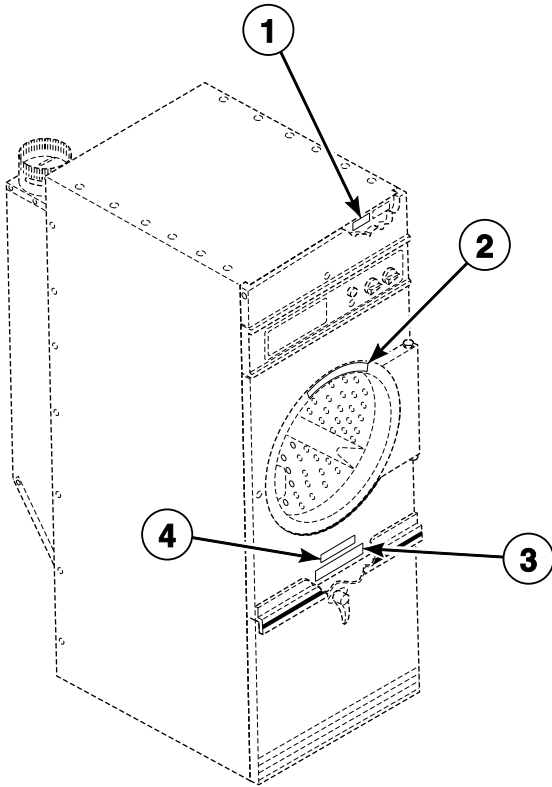
TMB3050P_70410801

Cabinet High Limit Thermostat and Backdraft Damper

REF	PART NO.	DESCRIPTION	COMMENTS
1	M412670	Cabinet Limit Harness Assembly	72 inches
2	N/A	Wire Harness Assembly	EG models
	M413693P	Cabinet Limit Harness Assembly	All other models
3	430497	Screw	
4	M400795	Bumper	
5	M413173	Exhaust Thimble	10 inches; Models DTB634 and STB634
	M412288	Exhaust Thimble Assembly	8 inches; All other models
6	M413382	Thimble Vane Assembly	10 inches; 2 required; Models DTB634 and STB634
	M400503	Thimble Vane Assembly	8 inches; 2 required; All other models
7	M400664	Screw	
8	M411941	Manual Reset Thermostat	Australian models
	M406412	Limit Thermostat	EG models
	M410542	Limit Thermostat	All other models

N/A = Part no longer available

Warning Labels



T384P_70410801

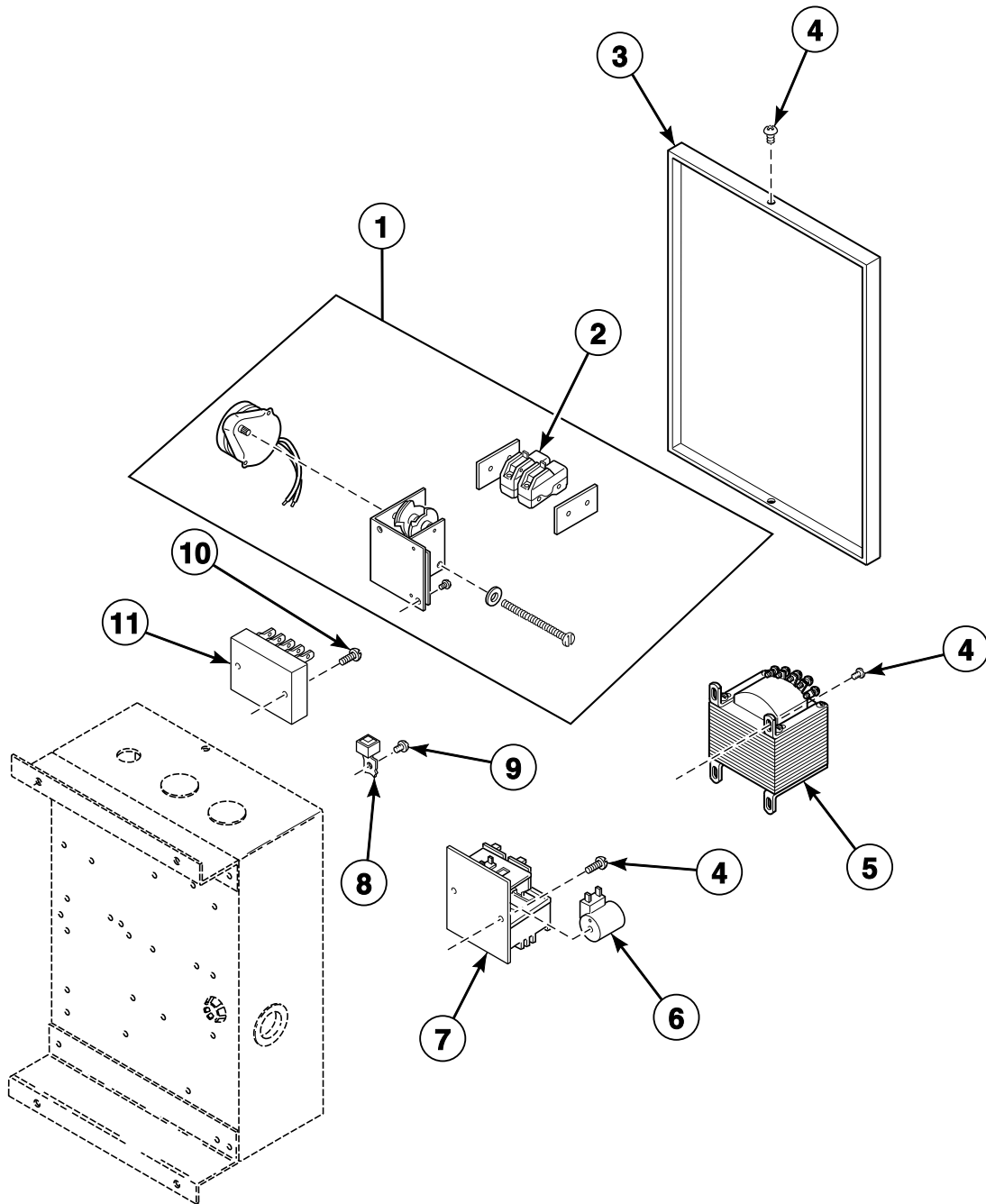
Warning Labels

REF	PART NO.	DESCRIPTION	COMMENTS
1	D500316	Warning Label	Disconnect power; Models starting Serial No. OTCK9304053996
	D505281	Disconnect Power Warning Label	Models through Serial No. OTCK9304053996
2	M410892	Warning Label	Control panel; Gas models; Models starting Serial No. OTCK9304053996
	N/A	Warning Label	Control panel; Electric and steam models; Models starting Serial No. OTCK9304053996
3	430527	Lint Compartment Label	D and S models; Lint screen on lint panel
	N/A	Lint Compartment Label	J models; Lint screen on lint panel
4	N/A	Lint Panel Warning Label	OM control suffix; Lint screen

N/A = Part no longer available

Reversing Control

MM and MT Control Suffixes



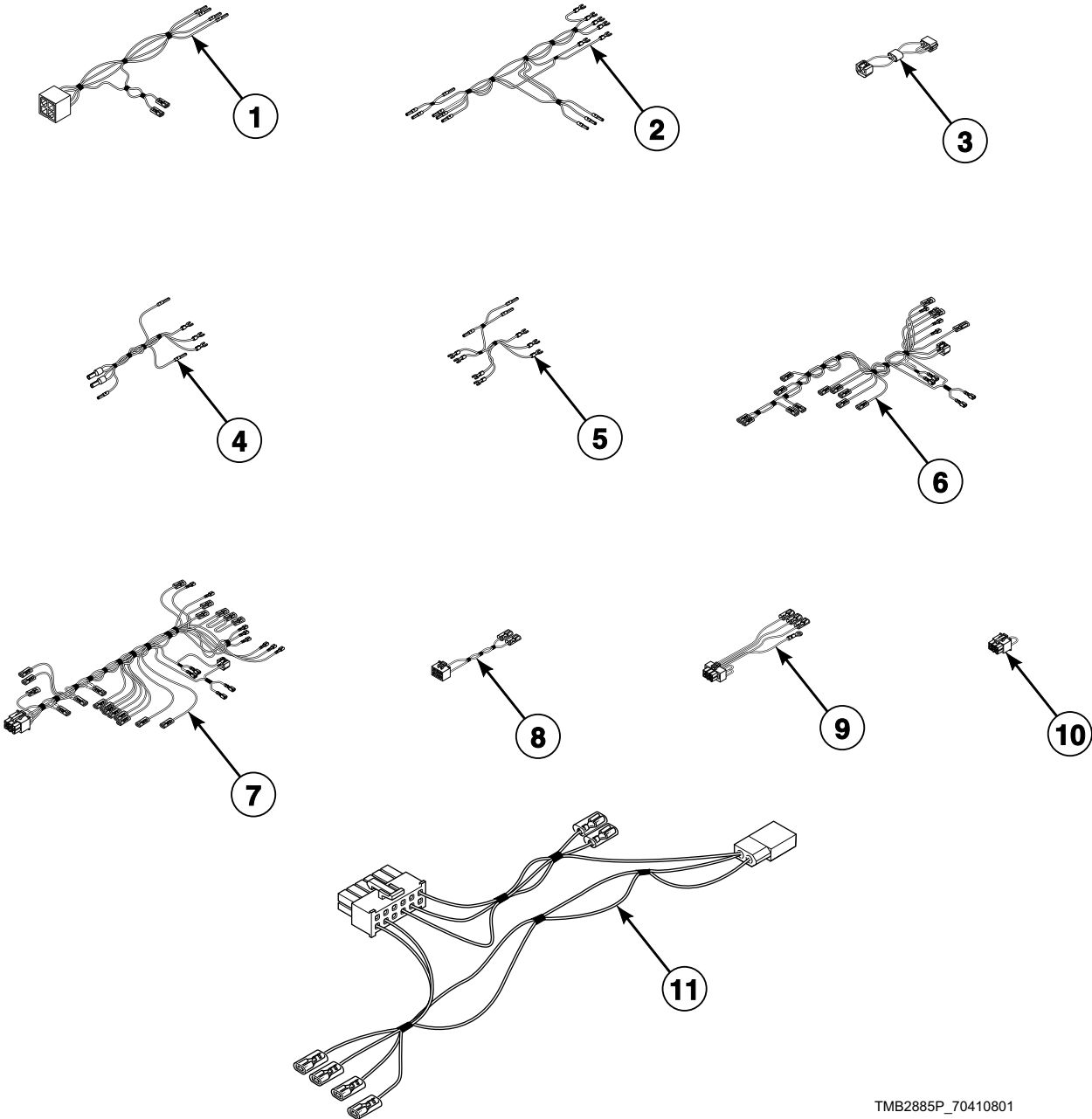
T493PZ3B_70410801

Reversing Control

REF	PART NO.	DESCRIPTION	COMMENTS
1	N/A	Reversing Timer	4 terminals; Models through Serial No. 699763YG
	N/A	Reversing Timer	6 terminals; Models starting Serial No. 699763YG through 9408085248
2	N/A	Switch	
3	M414351	Contactora Box Cover	
4	430497	Screw	
5	M401391P	Transformer	100-600 Volt/60 Hertz
6	M400915	Coil	208-240 Volt; For M400906 Reversing Contactor
7	M400906P	Reversing Contactor	208-240 Volt/60 Hertz; Models through Serial No. 9408085249
	N/A	Reversing Contactor	120 Volt/60 Hertz; Models through Serial No. 9408085249
	N/A	Reversing Contactor	240 Volt/50 Hertz; Models through Serial No. 9408085249
	M410515P	Reversing Contactor	240 Volt/50 Hertz; Models starting Serial No. 9408085249
	M4870P3	Contactora Kit	208-240 Volt/60 Hertz; Models starting Serial No. 9408085249; Reversing
	M4849P3	Reversing Contactor Kit	MM control suffix; Models starting Serial No. 9408085249
8	M411283	Ground Lug Connector	
9	M402917	Screw	Ground
10	N/A	Screw	
11	M411683	Reversing Timer	Solid State; Models starting Serial No. 9808085249

N/A = Part no longer available

Contactor Box Assembly Harnesses for OM Control Suffix



TMB2885P_70410801

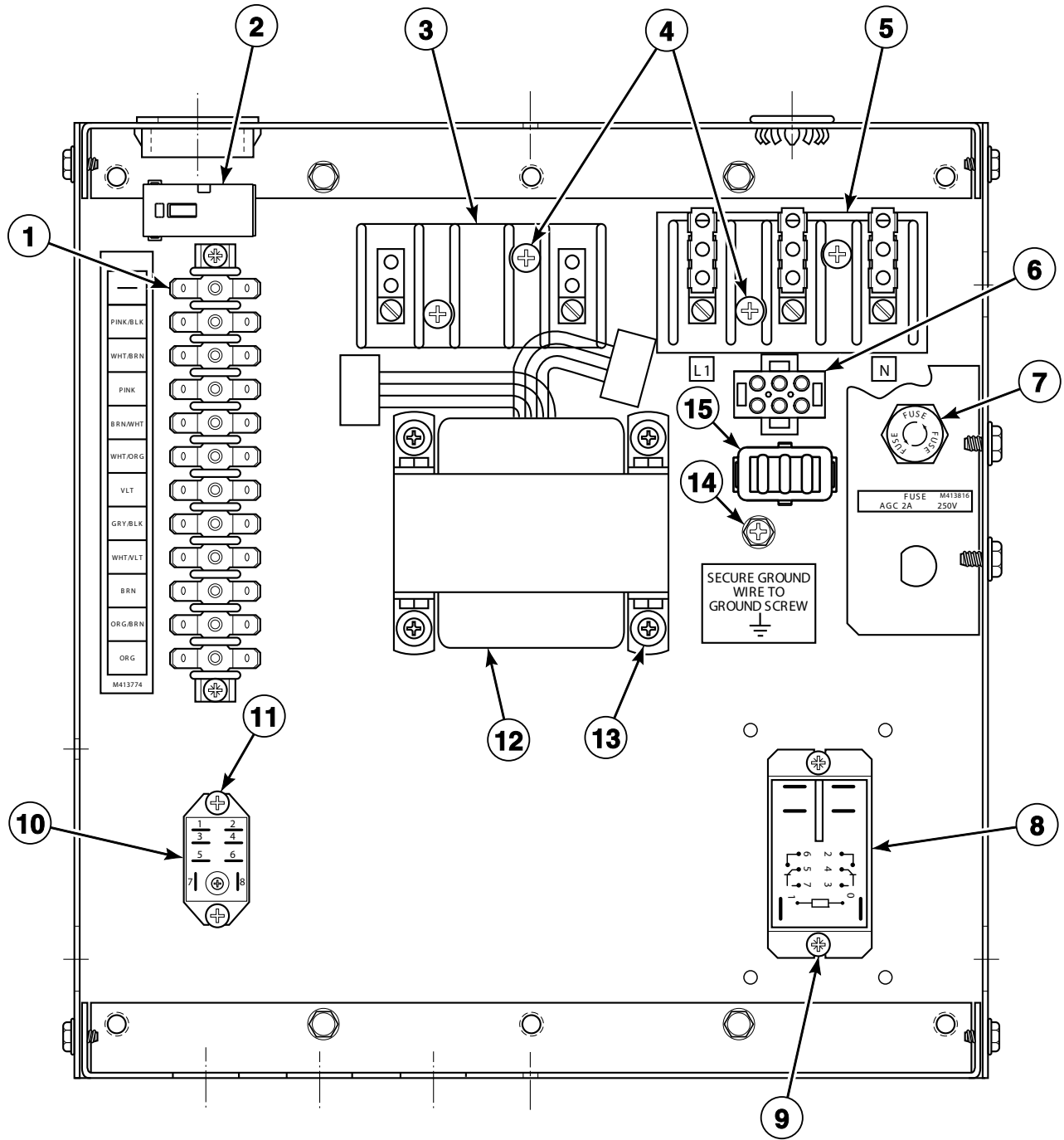
Contactor Box Assembly Harnesses for OM Control Suffix

REF	PART NO.	DESCRIPTION	COMMENTS
1	M414029	Transformer Harness Assembly	DC, JC and SC models; Secondary
	M414076	Transformer Harness Assembly	DC, JC and SC gas and steam models; Primary; 1 Phase
	M414028	Transformer Harness Assembly	DC, JC and SC electric and steam models; Primary; 3 Phase
2	M414032	Relay Harness Assembly	DC, JC and SC steam models
	M414150	Relay Harness Assembly	DC, JC and SC electric models; 380 or 415 Volt/50 Hertz/3 Phase
	N/A	Relay Harness Assembly	DC, JC and SC electric models; 230 Volt/50 Hertz/3 Phase; K2, K6 and K7
	M414224	Relay Harness Assembly	DC, JC and SC gas models; 230 Volt/50 Hertz/1 Phase; K2 and K3
3	M413505	Jumper Harness Assembly	CG, CSH, CSL and electric models; 120 Volt/60 Hertz
	M413507	Jumper Configuration Assembly	CG, CSH, CSL and electric models; 240 Volt/50 or 60 Hertz
	M413506	Jumper Harness Assembly	CG, CSH, CSL and electric models; 208 Volt/60 Hertz
	M413508	Jumper Harness Assembly	CG, CSH, CSL and electric models; 380 Volt/50 Hertz
	M413509	Jumper Harness Assembly	CG, CSH, CSL and electric models; 415 Volt/50 Hertz
	M413510	Jumper Configuration Assembly	CG, CSH, CSL and electric models; 480 Volt/60 Hertz
4	N/A	Jumper Assembly	Gas and steam models; 50 Hertz/1 Phase; Upper; Reversing
	M413695	Reversing Contactor Jumper Assembly	Gas and steam models; 50 Hertz/1 Phase; Lower; Reversing
	M414078	Jumper Harness Assembly	DC, JC and SC electric models; 50 Hertz/3 Phase
	N/A	Jumper Harness Assembly	DC, JC and SC electric models; 50 Hertz/3 Phase
	N/A	Jumper Harness Assembly	DC, JC and SC gas models; 50 Hertz/3 Phase
	N/A	Jumper Harness Assembly	DC, JC and SC models; Junction box; 240 Volt
5	N/A	Reversing Jumper Harness Assembly	DC, JC and SC electric models; 1 Phase; Upper; Reversing
	M412927	Reversing Jumper Harness Assembly	DC, JC and SC electric models; 1 Phase; Lower; Reversing
	M412928	Reversing Jumper Harness Assembly	Electric models; 3 Phase; Upper; Reversing
	M412929	Reversing Jumper Harness Assembly	Electric models; 3 Phase; Lower; Reversing
	M413624	Reversing Contactor Jumper Assembly	Reversing; 3 Phase; Upper
	N/A	Reversing Contactor Jumper Assembly	Reversing; 3 Phase; Lower
	M414034	Reversing Contactor Harness Assembly	DC, JC and SC models; Reversing
6	M413754	Control Box Harness Assembly	CG, CSH, CSL and electric models; 1 Phase; 3 wire
	M413683P	Control Box Harness Assembly	CG, CSH, CSL and electric models; 3 Phase
7	M413684P	Contactor Box Harness Assembly	CG, CSH, CSL and electric models; Reversing; 208-240, 380, 415 or 480 Volt/50 or 60 Hertz/3 Phase
8	N/A	Control Box Harness Assembly	CG, CSH, CSL and electric models; 50 or 60 Hertz/1 Phase; 2 wire
9	M413878	Network Capacitor Harness Assembly	
10	M413168	Bypass Harness Assembly	CG, CSH, CSL and electric models; Reversing
11	M413824	Control Box Harness Assembly	CG models; Australia

N/A = Part no longer available

Contactor Box Assembly (Drawing 1 of 10)

Gas, Steam and Electric Models with OM Control Suffix
 120 Volt/60 Hertz/1 Phase; 240 Volt/50 Hertz/1 Phase



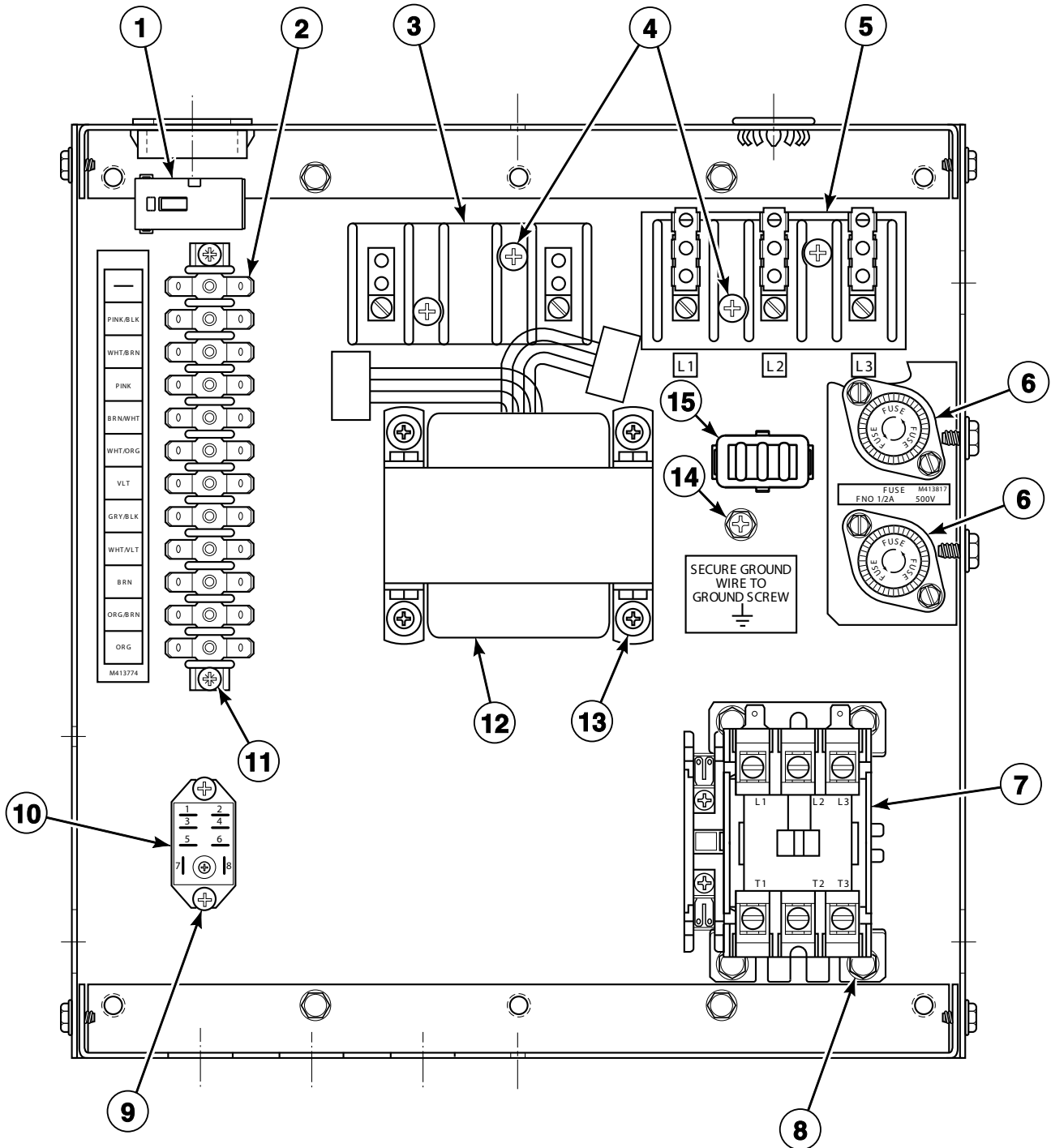
TMB2498P_70410801

Contactor Box Assembly (Drawing 1 of 10)

REF	PART NO.	DESCRIPTION	COMMENTS
1	M413542	Terminal Strip	
2	M413930P	Ferrite Core Assembly	Electric models
3	M405364	Terminal Block	2 pole
4	M405824	Screw	
5	430642	Terminal Block	3 pole
6	M413878	Network Capacitor Harness Assembly	
7	91024P	Fuse Receptacle	Use 23951 Nut to attach
	M413118	Fuse	250 Volt; 2 Amp
	M413623	Fuse	4 Amp; Secondary; Models DTB634 and STB634
	M414232	Fuse	3.5 Amp; Secondary; All other models
8	M413614P	Fan Contactor	Motor
9	51778	Screw	
10	431349	Relay	120 Volt/60 Hertz/1 Phase; Gas and steam models
	430746	Relay	240 Volt/50 Hertz/1 Phase
11	M400071	Screw	
12	M414228P	Transformer	
13	M400044	Screw	Use with 23951 Nut to attach item 12
14	M402917	Screw	Ground
15	M413863	Network Capacitor Assembly	

Contactor Box Assembly (Drawing 2 of 10)

All Electric Nonreversing Models; Gas and Steam Nonreversing Models with OM Control Suffix
 208-240 Volt/60 Hertz/1 or 3 Phase; 380, 415 or 480 Volt/50 or 60 Hertz/3 Phase



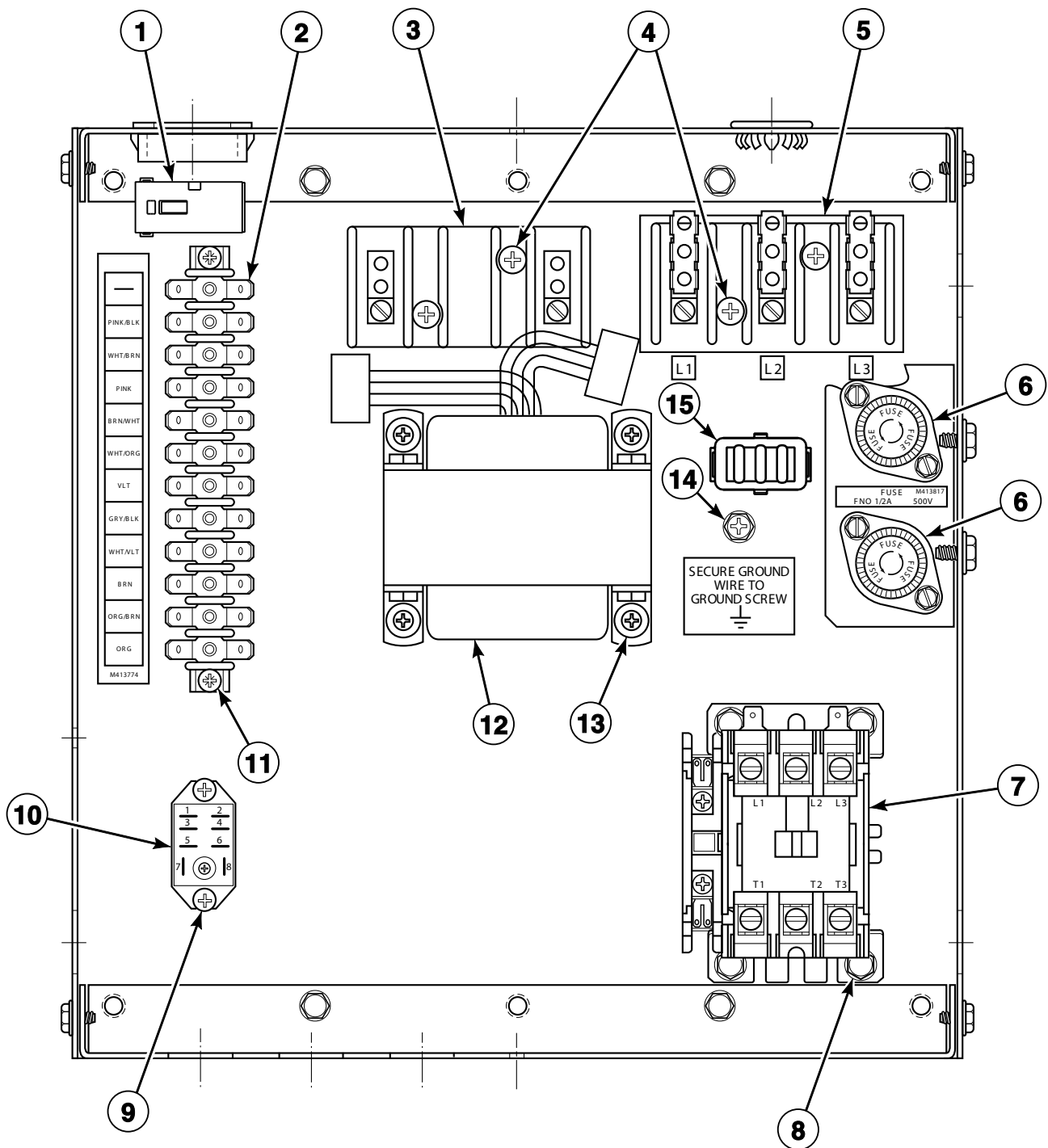
TMB2499P_70410801

Contactor Box Assembly (Drawing 2 of 10)

REF	PART NO.	DESCRIPTION	COMMENTS
1	M413930P	Ferrite Core Assembly	
2	M413542	Terminal Strip	
3	M405364	Terminal Block	2 pole
4	M405824	Screw	
5	430642	Terminal Block	3 pole
6	91024P	Fuse Receptacle	208-240 Volt/60 Hertz/1 or 3 Phase; Use 23951 Nut to attach
	M413544P	Fuse Holder	380, 415 or 480 Volt/50 or 60 Hertz/3 Phase
	44310001	Fuse	600 Volt; 0.5 Amp; 380, 415 or 480 Volt/50 or 60 Hertz/3 Phase
	M413118	Fuse	250 Volt; 2 Amp; 208-240 Volt/60 Hertz/1 or 3 Phase
	M413623	Fuse	4 Amp; Secondary; Models DTB634 and STB634
	M414232	Fuse	3.5 Amp; Secondary; All other models
7	M413614P	Fan Contactor	
8	51780	Screw	
9	M400071	Screw	
10	430746	Relay	208-240 Volt/60 Hertz
11	51778	Screw	
12	M414229P	Transformer	380, 415 or 480 Volt/50 or 60 Hertz/3 Phase
	M414228P	Transformer	208-240 Volt/60 Hertz/1 or 3 Phase
	M413100P	Transformer	208-240 Volt/60 Hertz/3 Phase
13	M400044	Screw	Use with 23951 Nut to attach item 12
14	M402917	Screw	Ground
15	M413863	Network Capacitor Assembly	

Contactor Box Assembly (Drawing 3 of 10)

Electric Nonreversing Models with OM Control Suffix
208-240 Volt/50 or 60 Hertz/3 Phase



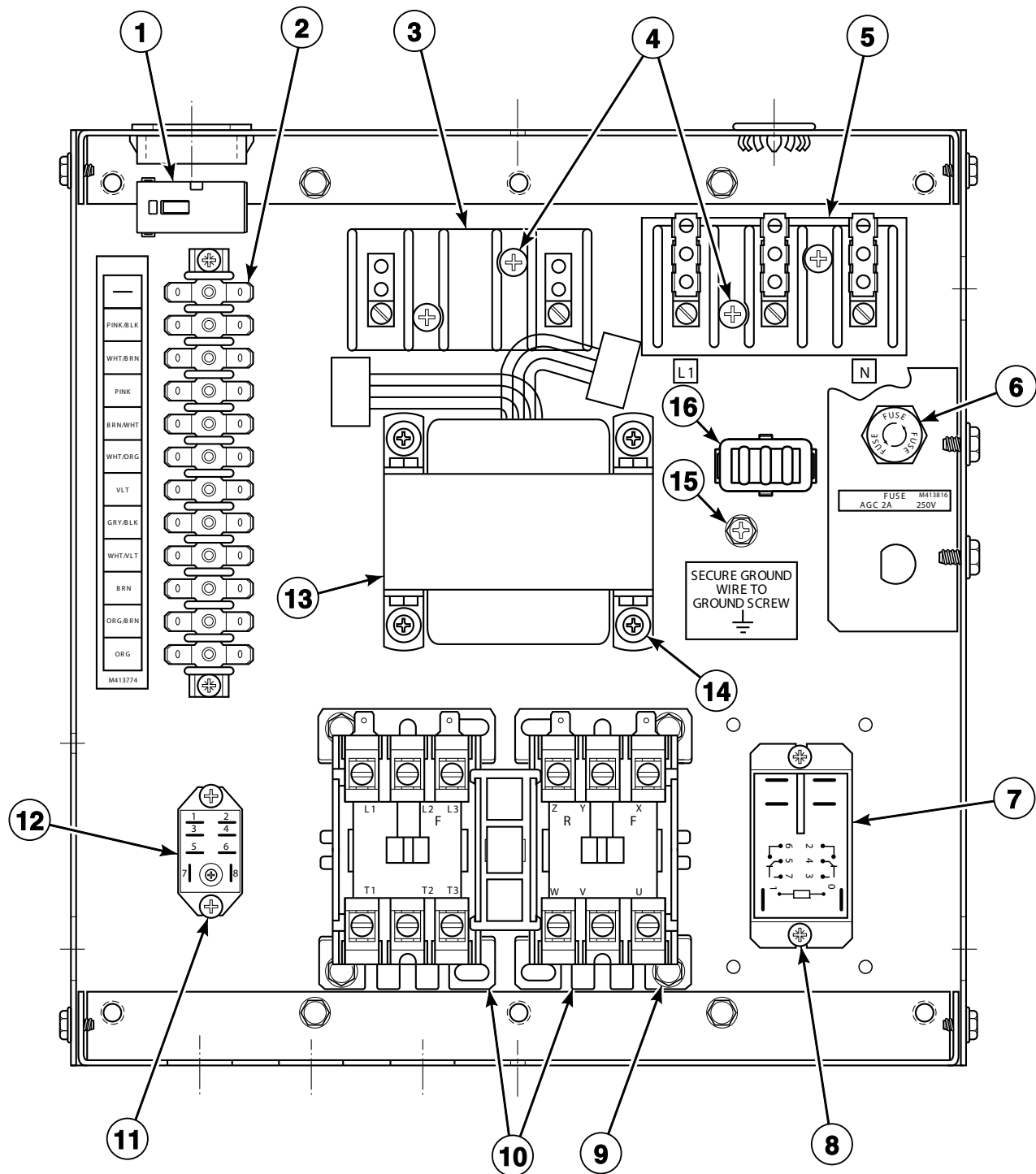
TMB2499P_70410801

Contactor Box Assembly (Drawing 3 of 10)

REF	PART NO.	DESCRIPTION	COMMENTS
1	M413930P	Ferrite Core Assembly	
2	M413542	Terminal Strip	
3	M405364	Terminal Block	2 pole
4	M405824	Screw	
5	430642	Terminal Block	3 pole
6	91024P	Fuse Receptacle	Use 23951 Nut to attach
	M413118	Fuse	250 Volt; 2 Amp
	M413623	Fuse	4 Amp; Secondary
	M414232	Fuse	3.5 Amp; Secondary
7	M413614P	Fan Contactor	
8	51778	Screw	
9	M400071	Screw	
10	430746	Relay	
11	51780	Screw	
12	M414228P	Transformer	
13	M400044	Screw	Use with 23951 Nut to attach item 12
14	M402917	Screw	Ground
15	M413863	Network Capacitor Assembly	

Contactor Box Assembly (Drawing 4 of 10)

Gas, Steam and Electric Reversing Models with OM Control Suffix
240 Volt/50 Hertz/1 Phase



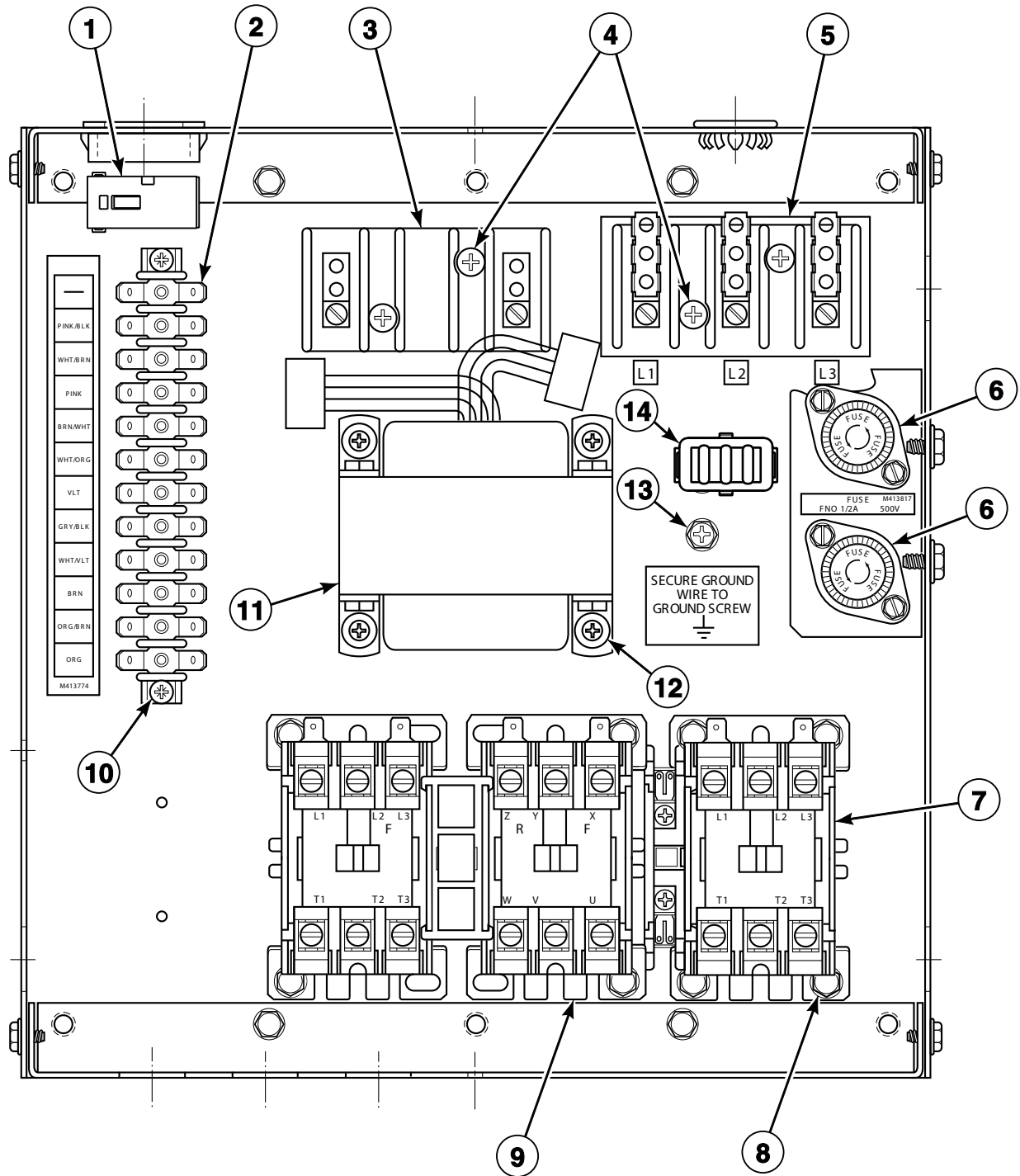
TMB2500P_70410801

Contactor Box Assembly (Drawing 4 of 10)

REF	PART NO.	DESCRIPTION	COMMENTS
1	M413930P	Ferrite Core Assembly	
2	M413542	Terminal Strip	
3	M405364	Terminal Block	2 pole
4	M405824	Screw	
5	430642	Terminal Block	3 pole
6	91024P	Fuse Receptacle	Use 23951 Nut to attach
	M413118	Fuse	250 Volt; 2 Amp
	M413623	Fuse	4 Amp; Secondary; Models DTB634 and STB634
	M414232	Fuse	3.5 Amp; Secondary; All other models
7	M413614P	Fan Contactor	Motor
8	51778	Screw	
9	51780	Screw	
10	M413615P	Reversing Contactor	
11	M400071	Screw	
12	430746	Relay	
13	M414228P	Transformer	
14	M400044	Screw	Use with 23951 Nut to attach item 13
15	M402917	Screw	Ground
16	M413863	Network Capacitor Assembly	

Contactor Box Assembly (Drawing 5 of 10)

Reversing Models with OM Control Suffix
 208-240, 380, 415 or 480 Volt/50 or 60 Hertz/3 Phase

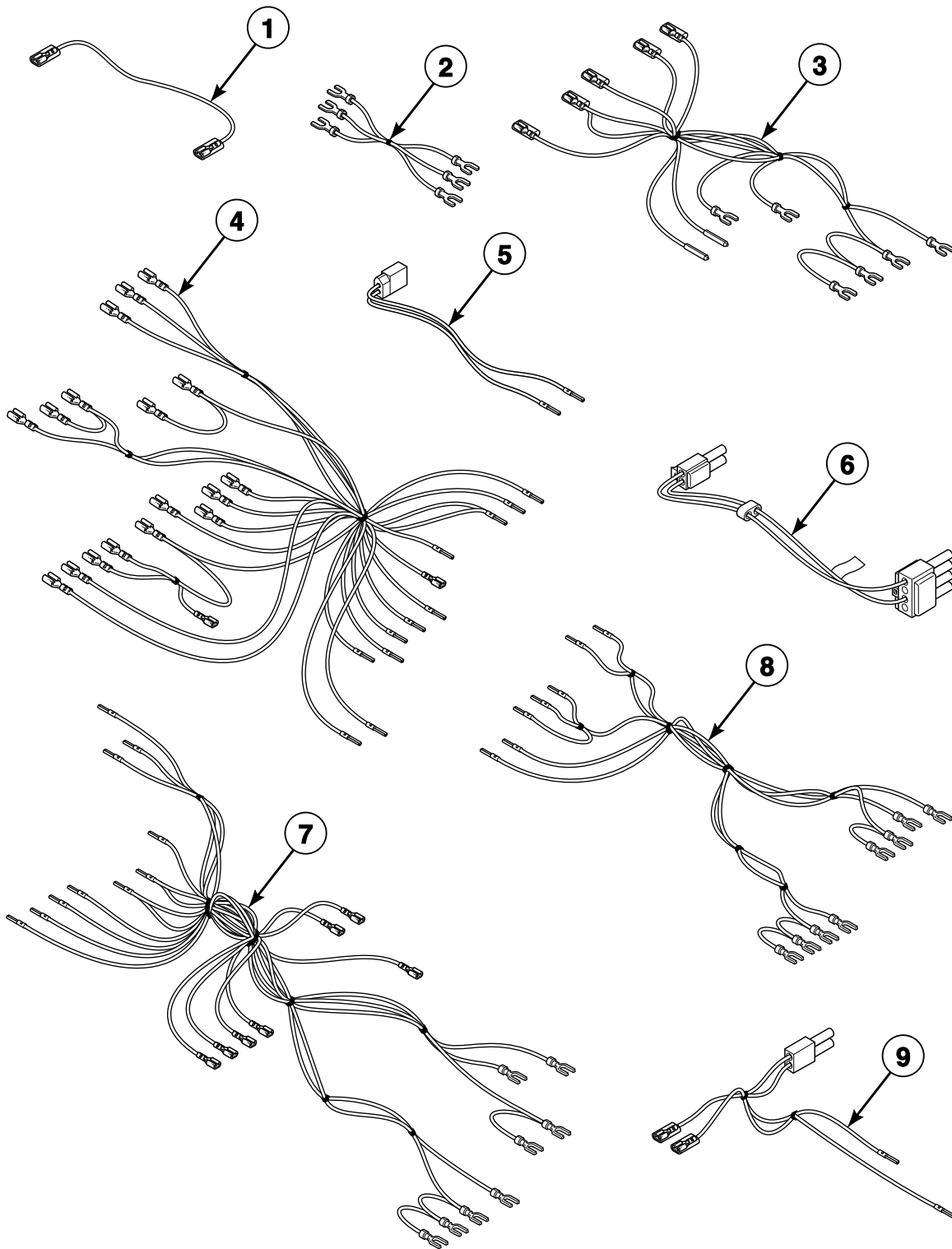


TMB2501P_70410801

Contactor Box Assembly (Drawing 5 of 10)

REF	PART NO.	DESCRIPTION	COMMENTS
1	M413930P	Ferrite Core Assembly	
2	M413542	Terminal Strip	
3	M405364	Terminal Block	2 pole
4	M405824	Screw	
5	430642	Terminal Block	3 pole
6	91024P	Fuse Receptacle	208-240 Volt/50 or 60 Hertz/3 Phase; Use 23951 Nut to attach
	M413544P	Fuse Holder	380, 415 or 480 Volt/50 or 60 Hertz/3 Phase
	M413118	Fuse	250 Volt; 2 Amp; 208-240 Volt/50 or 60 Hertz/3 Phase
	44310001	Fuse	600 Volt; 0.5 Amp; 380, 415 or 480 Volt/50 or 60 Hertz/3 Phase
	M413623	Fuse	4 Amp; Secondary; Models DTB634 and STB634
	M414232	Fuse	3.5 Amp; Secondary; All other models
7	M413614P	Fan Contactor	
8	51780	Screw	
9	M413615P	Reversing Contactor	Set with interlock
10	51778	Screw	
11	M414228P	Transformer	208-240 Volt/50 or 60 Hertz/3 Phase
	M414229P	Transformer	380, 415 or 480 Volt/50 or 60 Hertz/3 Phase
12	M400044	Screw	Use with 23951 Nut to attach item 11
13	M402917	Screw	Ground
14	M413863	Network Capacitor Assembly	

Contactor Box Assembly Harnesses for CD, MM and MT Control Suffixes



TMB2497P_70410801

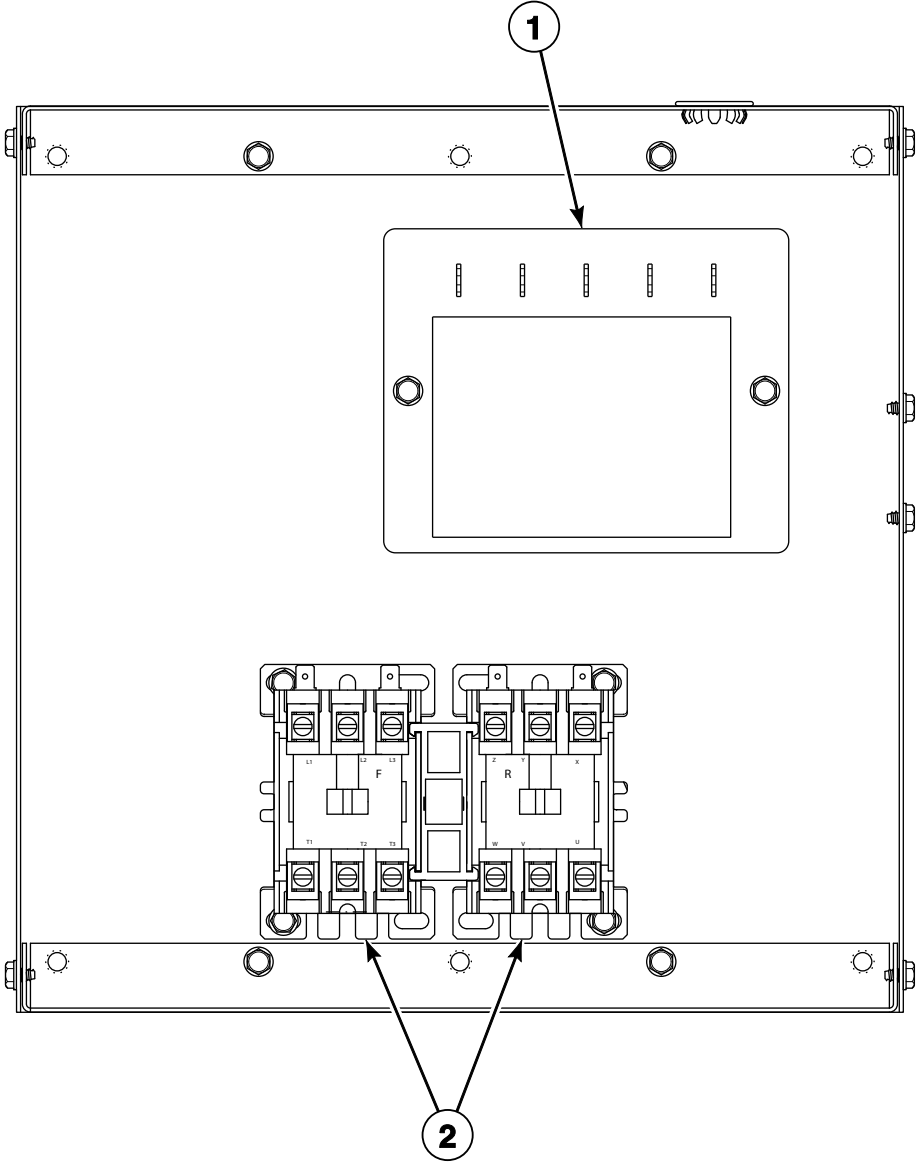
Contactor Box Assembly Harnesses for CD, MM and MT Control Suffixes

REF	PART NO.	DESCRIPTION	COMMENTS
1	M412740	Jumper Cable Wire	Electric models; CD and MT control suffixes; 230 Volt/50 Hertz/1 Phase; 8 gauge; 5.75 inches
2	M412928	Reversing Jumper Harness Assembly	Electric models; MM and MT control suffixes; Upper; 208-240 Volt/60 Hertz/3 Phase
	M412929	Reversing Jumper Harness Assembly	Electric models; MM and MT control suffixes; Lower; 208-240 Volt/60 Hertz/3 Phase
3	N/A	Reversing Timer Harness Assembly	DC, JC and SC electric models; MM and MT control suffixes; 208-240 Volt/60 Hertz/3 Phase
	N/A	Reversing Timer Harness Assembly	DC, JC and SC electric models; CD and MT control suffixes, 230 Volt/50 Hertz/1 Phase
	N/A	Reversing Timer Harness Assembly	DC, JC and SC gas and steam models; MT control suffix; 230 Volt/50 Hertz/1 Phase
4	N/A	Relay Harness Assembly	Gas models; Coin; K2 and K3; 208-240 Volt/50 and 60 Hertz/1 or 3 Phase
	N/A	Relay Harness Assembly	DC, JC and SC steam models; MM and MT control suffixes; Coin; 1 Phase; K2; 208-240 Volt/50 and 60 Hertz/1 or 3 Phase
	M412636	Relay Harness Assembly	DC, JC and SC gas models; MT control suffix; 230 Volt/50 Hertz/1 Phase; K1, K2 and K3
	N/A	Relay Harness Assembly	DC, JC and SC steam models; MT control suffix; Reversing; K1 and K2; 230, 380 and 415 Volt/50 Hertz/1 and 3 Phase
5	M412642	Transformer Harness Assembly	DC, JC and SC models; MT control suffix; Reversing; Primary; 230-240, 380 and 415 Volt/50 Hertz/1 Phase
6	M413509	Jumper Harness Assembly	Steam models; MT control suffix; 415 Volt/50 Hertz/3 Phase
	N/A	Jumper Harness Assembly	DC, JC and SC gas and steam models; MT control suffix; Junction box; 240 Volt/50 Hertz/1 Phase
	N/A	Jumper Wire	Steam models; MT control suffix; Junction box; 380 and 415 Volt/50 Hertz/3 Phase
7	M412776P	Relay Harness Assembly	DC, JC and SC electric models; Dual timer; CD and MT control suffixes; K1; 230 Volt/50 Hertz/1 Phase
8	M412777	Relay Harness Assembly	Electric models; CD and MT control suffixes; Coin; 230 Volt/50 Hertz/1 Phase
9	M412641	Transformer Harness Assembly	DC, JC and SC electric models; CD and MT control suffixes; Secondary; 230 Volt/50 Hertz/1 Phase

N/A = Part no longer available

Contactor Box Assembly (Drawing 6 of 10)

Gas, Steam and Electric Reversing Models with MM or MT Control Suffixes
208-240 Volt/60 Hertz/3 Phase



TMB2264P_70410801

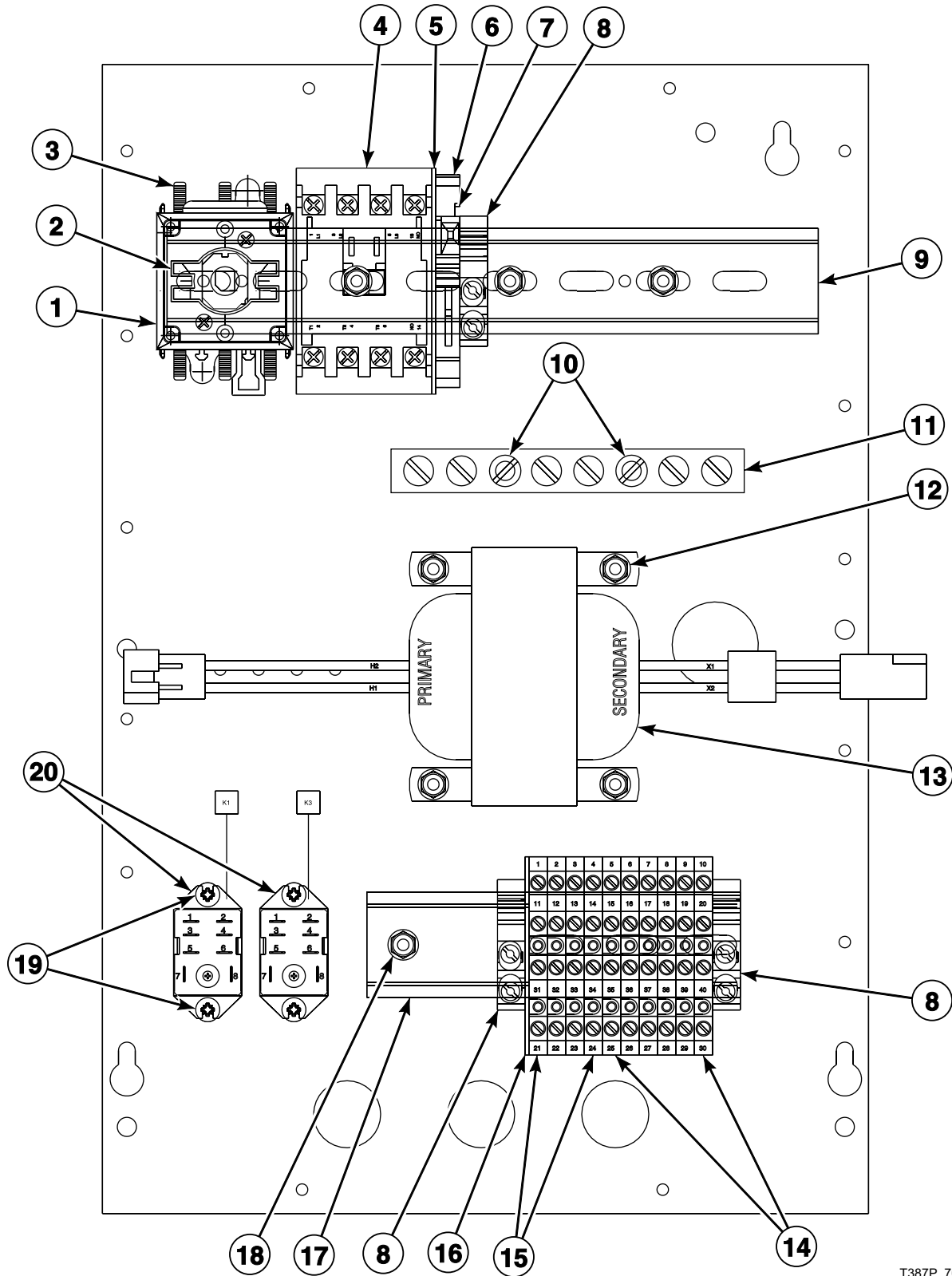
Contactor Box Assembly (Drawing 6 of 10)

REF	PART NO.	DESCRIPTION	COMMENTS
	M414351	Contactora Box Cover	
1	M411683	Reversing Timer	Models starting Serial No. 9408xxxx
	N/A	Reversing Timer	Models starting Serial No. 699763Y6 through 9408xxxx
	N/A	Reversing Timer	Models through Serial No. 699762Y6
2	M4849P3	Reversing Contactora Kit	120 Volt
	M4870P3	Contactora Kit	240 Volt

N/A = Part no longer available

Contactor Box Assembly (Drawing 7 of 10)

Gas Models with MT Control Suffix
230 Volt/50 Hertz/1 Phase



T387P_70410801

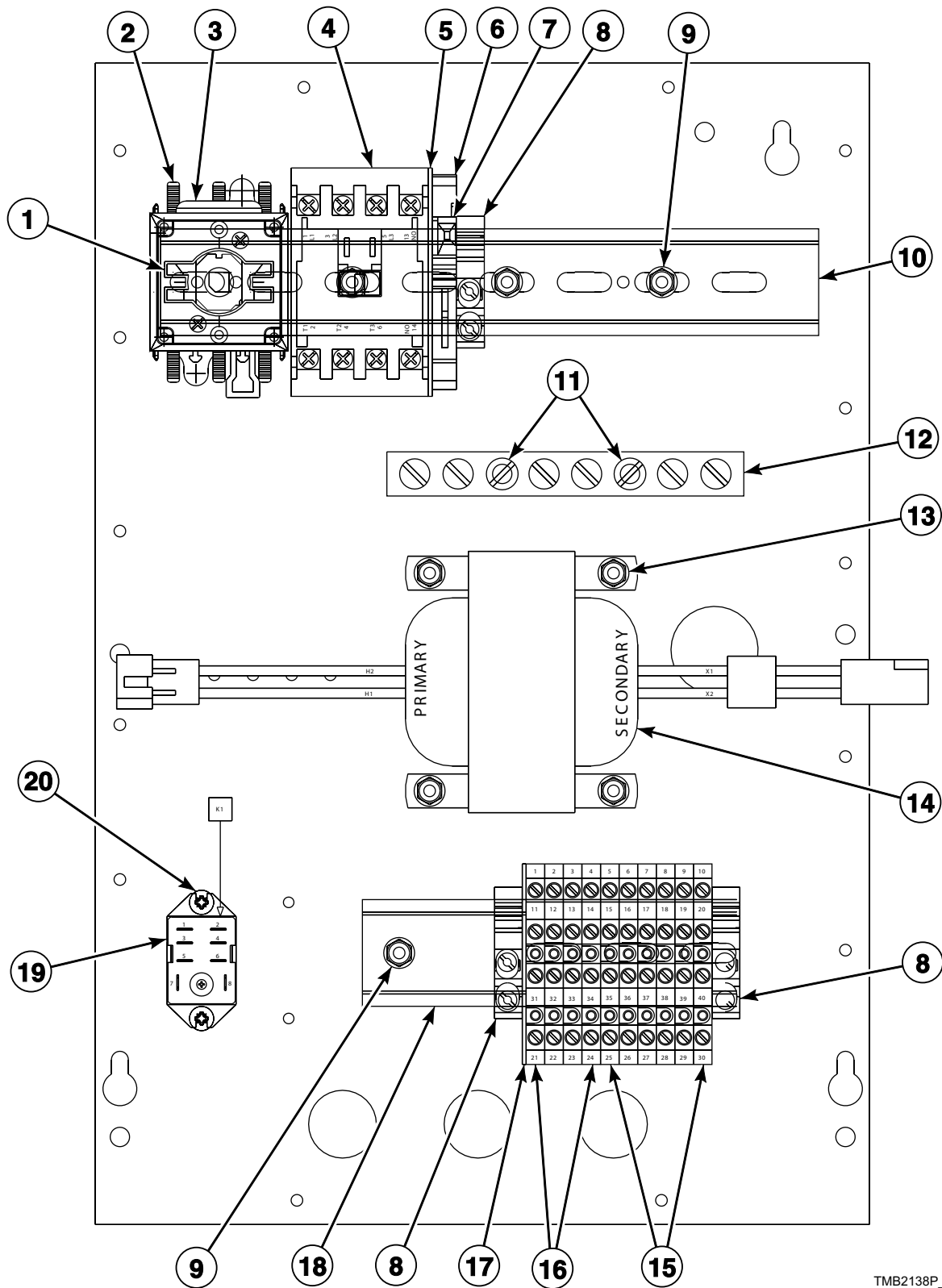
Contactor Box Assembly (Drawing 7 of 10)

REF	PART NO.	DESCRIPTION	COMMENTS
1	M412187P	Mounting Switch Base	20 Amp; Includes 2 terminal blocks
2	M412370	Extension Handle	Includes 2 screws
3	M412366	Finger Guard	20 Amp
4	70323701P	Contactor	9 Amp
5	M412540	End Section	
6	M412537	Terminal Block	
7	D502593	Fuse	
8	70121001	End Stop	230 Volt
9	N/A	Din Rail	215.9 mm
10	M412688	Nut	
11	M412656	Ground Buss Assembly	
12	33562	Screw	
13	M412477P	Transformer	230 Volt
14	M412631	Terminal Block	2 circuit
15	M412632	Terminal Block	1 circuit
16	M412633	End Barrier	
17	N/A	Din Rail	127 mm
18	51780	Screw	
19	D501086	Screw	
20	M412534	Relay	24 Volt

N/A = Part no longer available

Contactor Box Assembly (Drawing 8 of 10)

Steam Models with MT Control Suffix
230 Volt/50 Hertz/1 Phase



TMB2138P_70410801

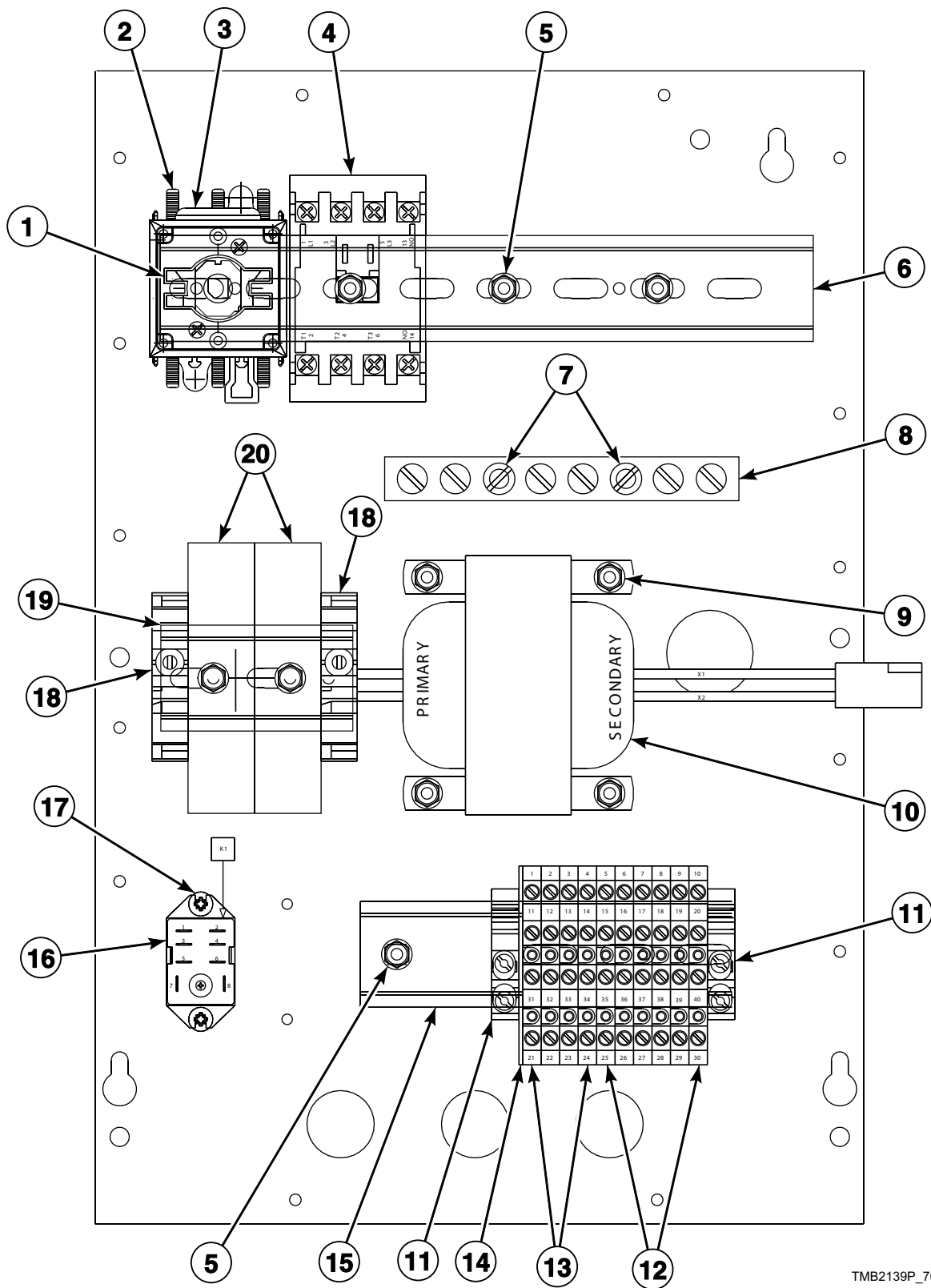
Contactor Box Assembly (Drawing 8 of 10)

REF	PART NO.	DESCRIPTION	COMMENTS
1	M412370	Extension Handle	Includes 2 screws; Cut-to-length; 20 Amp
2	M412366	Finger Guard	20 Amp
3	M412187P	Mounting Switch Base	Includes 2 terminal blocks; 20 Amp
4	70323701P	Contactor	9 Amp
5	M412540	End Section	
6	M412537	Terminal Block	Primary; 230 Volt
7	D502593	Fuse	
8	70121001	End Stop	230 Volt
9	51780	Screw	
10	N/A	Din Rail	215.9 mm
11	M412688	Nut	Used on back of item 12
12	M412656	Ground Buss Assembly	
13	33562	Screw	
14	M412477P	Transformer	230 Volt
15	M412631	Terminal Block	2 circuit
16	M412632	Terminal Block	1 circuit
17	M412633	End Barrier	
18	N/A	Din Rail	127 mm
19	M412534	Relay	24 Volt
20	D501086	Screw	

N/A = Part no longer available

Contactor Box Assembly (Drawing 9 of 10)

Steam Models with MT Control Suffix
380 or 415 Volt/50 Hertz/3 Phase



TMB2139P_70410801

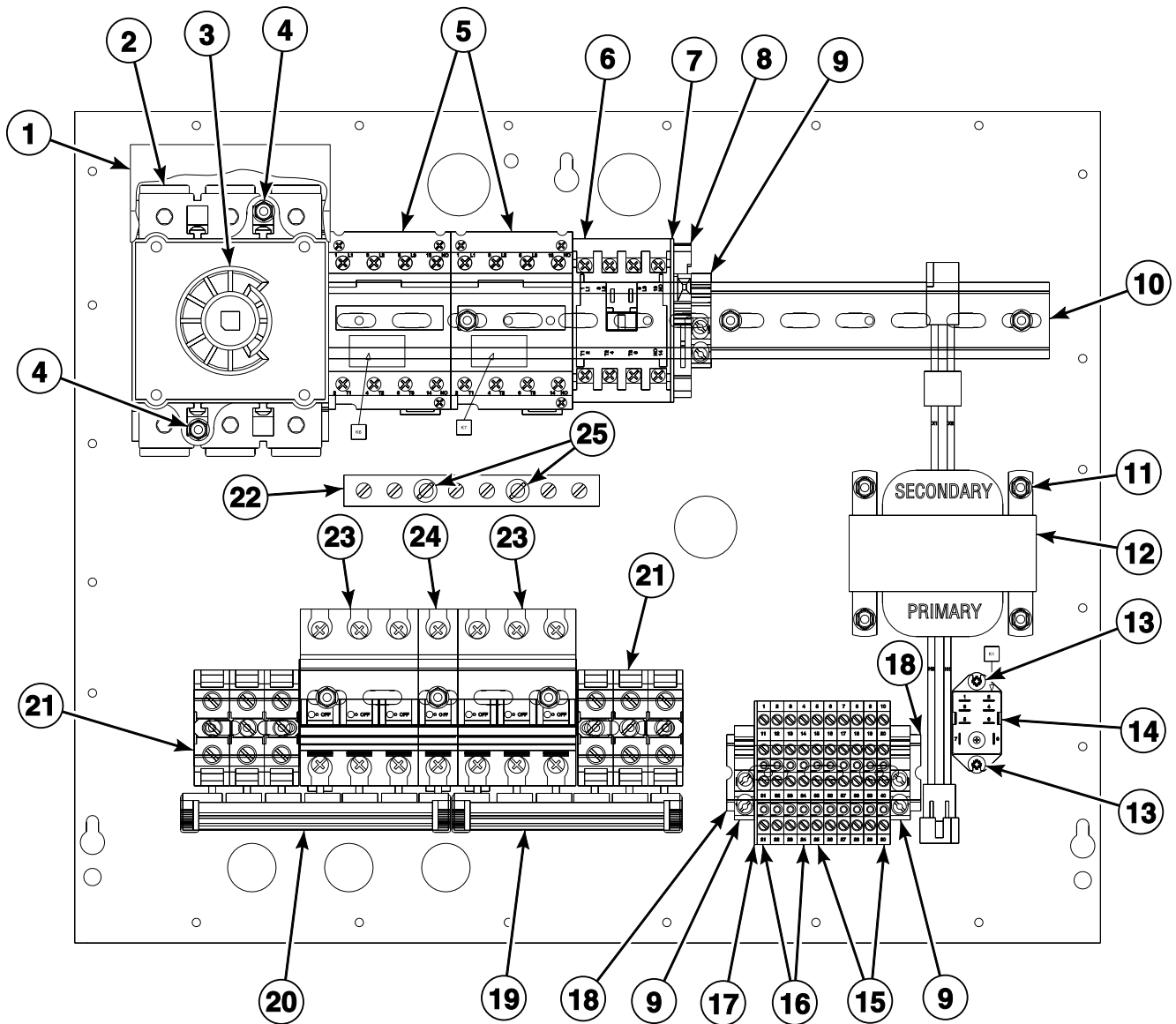
Contactor Box Assembly (Drawing 9 of 10)

REF	PART NO.	DESCRIPTION	COMMENTS
1	M412370	Extension Handle	Includes 2 screws
2	M412366	Finger Guard	20 Amp
3	M412187P	Mounting Switch Base	Includes 2 terminal blocks; 20 Amp
4	70323701P	Contactor	9 Amp
5	51780	Screw	
6	N/A	Din Rail	215.9 mm
7	M412688	Nut	
8	M412656	Ground Buss Assembly	
9	33562	Screw	
10	M412412P	Transformer	400 Volt
11	70121001	End Stop	230 Volt
12	M412631	Terminal Block	2 circuit
13	M412632	Terminal Block	1 circuit
14	M412633	End Barrier	
15	N/A	Din Rail	127 mm
16	M412534	Relay	24 Volt
17	D501086	Screw	
18	M412615	End Stop	
19	N/A	Din Rail	
20	M412538	Terminal Block	
	M412996	Fuse	Use inside terminal block

N/A = Part no longer available

Contactor Box Assembly (Drawing 10 of 10)

Electric Models with CD and MT Control Suffixes
230 Volt/50 Hertz/1 Phase



TMB2502P_70410801

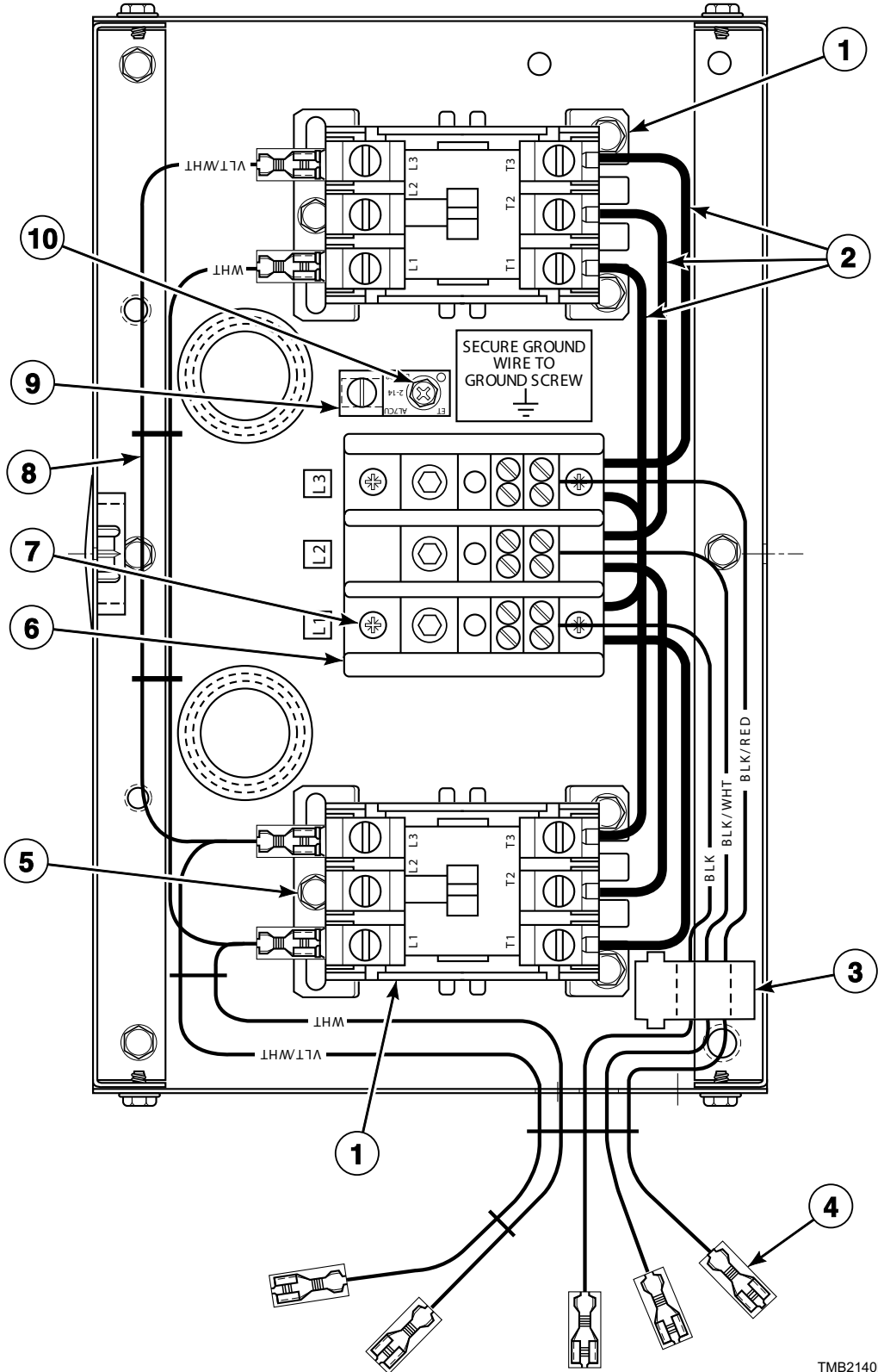
Contactor Box Assembly (Drawing 10 of 10)

REF	PART NO.	DESCRIPTION	COMMENTS
1	M412367	Finger Guard	100 Amp
2	M412186	Mounting Switch Base	Includes 2 terminal blocks; 100 Amp
3	M412371P	Extension Handle	Includes 2 screws
4	33562	Screw	
5	70343301P	Contactor	50 Amp; Electric
6	70323701P	Contactor	9 Amp; Motor
7	M412540	End Section	230 Volt
8	M412537	Terminal Block	Primary; 230 Volt
	D502593	Fuse	250 Volt; 0.4 Amp; Use inside terminal block
9	70121001	End Stop	230 Volt
10	N/A	Din Rail	330.2 mm
11	51780	Screw	
12	M412477P	Transformer	240 Volt
13	D501086	Screw	Dual timer
14	M412534	Relay	Dual timer; 24 Volt
15	M412631	Terminal Block	2 circuit
16	M412632	Terminal Block	1 circuit
17	M412633	End Barrier	
18	M412692	Din Rail	88.9 mm
19	N/A	Buss Bar Assembly	6 position
20	N/A	Buss Bar Assembly	7 position
21	M412045P	Terminal Block	3 pole
22	M412656	Ground Buss Assembly	
23	M412406	Circuit Breaker	3 pole; 40 Amp
24	M412401	Circuit Breaker	1 pole; 8 Amp
25	M412688	Nut	Use on back of item 22

N/A = Part no longer available

Accessory Box

Electric Models with OM Control Suffix



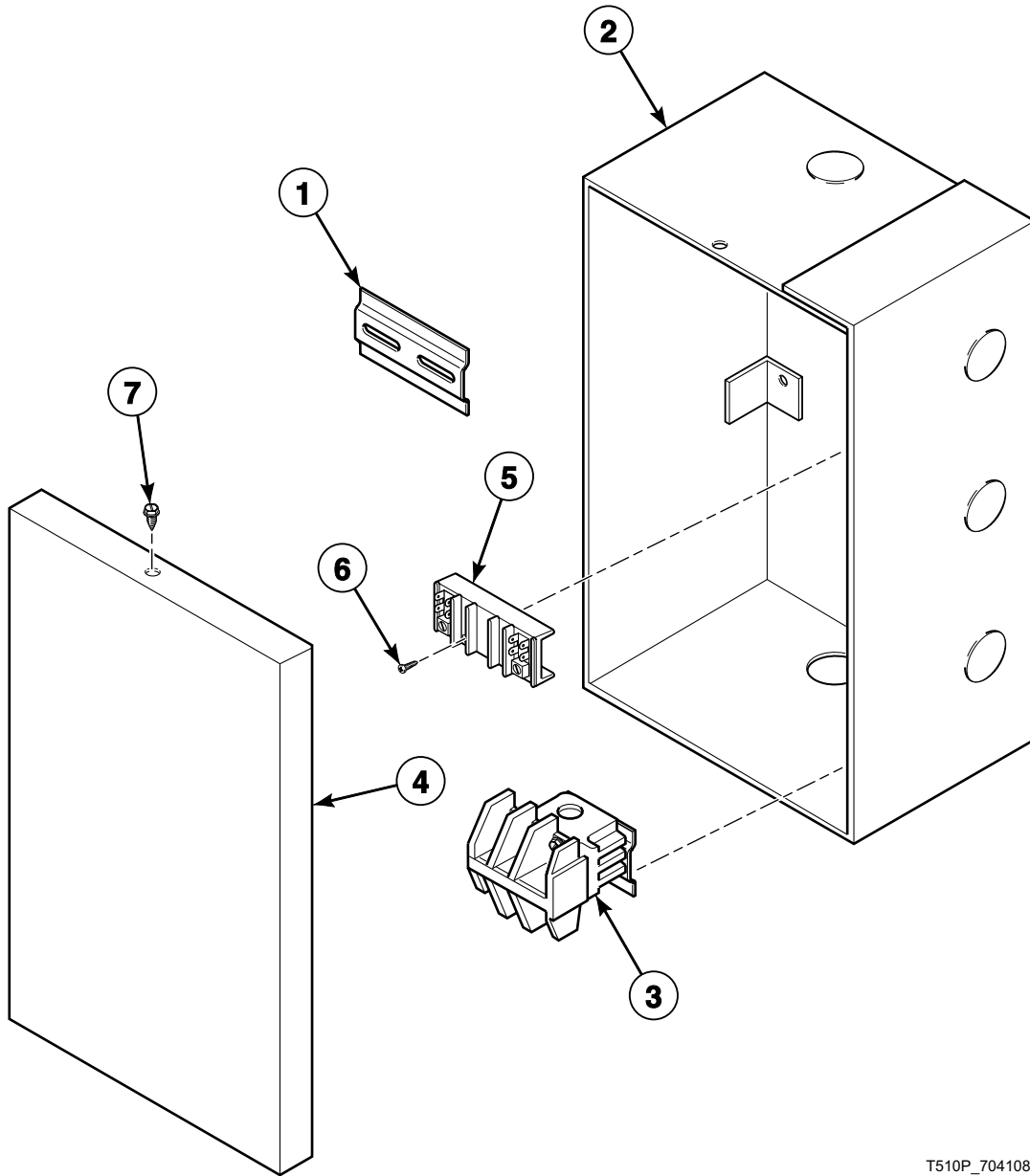
TMB2140P_70410801

Accessory Box

REF	PART NO.	DESCRIPTION	COMMENTS
1	70343301P	Contactator	2 required for 208-240 Volt
2	M413933	Jumper Cable Assembly	6 required for 208-240 Volt/50 or 60 Hertz/3 Phase; 4 required for 240 Volt/50 Hertz/1 Phase; 3 required for 380 or 480 Volt/50 or 60 Hertz/3 Phase
	M413934	Jumper Cable Assembly	2 required for 240 Volt/50 Hertz/1 Phase
3	M413930P	Ferrite Core Assembly	
4	44129001	Accessory Box Harness Assembly	240 Volt/50 Hertz/1 Phase
	44129101P	Accessory Box Harness Assembly	208-240 Volt/50 or 60 Hertz/3 Phase; 380 or 480 Volt/50 or 60 Hertz/3 Phase
5	51780	Screw	For item 1
6	M413864	Terminal Block	2 pole; 240 Volt/50 Hertz/1 Phase
	M413865	Power Distribution Block	3 pole; 3 Phase
7	39733	Screw	
8	44129201P	Jumper Harness	208-240 Volt/50 or 60 Hertz/1 or 3 Phase
9	M411283	Ground Lug Connector	
10	M402917	Screw	Ground

Junction Box

MT or MM Control Suffixes for Reversing and Nonreversing Models



T510P_70410801

Junction Box

REF	PART NO.	DESCRIPTION	COMMENTS
1	N/A	Din Rail	
2	N/A	Junction Box Assembly	
3	M410529	Contactor	120 Volt
	M410457P	Contactor	208-240 or 480 Volt
	431349	Relay	120 Volt/50 or 60 Hertz; MM control suffix (CRI)
4	N/A	Junction Box Cover	
5	M405364	Terminal Block	120 Volt; Gas and steam models
	M405363	Terminal Block	208-240 Volt; Gas models
6	M405824	Screw	
7	51780	Screw	

N/A = Part no longer available

Parts Index

A

Accessory Box Harness Assembly	
44129001	143
44129101P	143
Actuator Switch	
M412423	73
Airflow Switch	
M400944	73
Airflow Switch Assembly	
M401883	73
Airflow Switch Bracket	
M409202	73
Airflow Switch Guard	
M410544	73
Airflow Switch Handy Box	
M403235	73
Airflow Switch Harness Assembly	
M412575	73
M413689	73
Airflow Switch Insulator Barrier	
M400712	73
Airflow Switch Vane	
M413475	73
Airflow Switch Vane Lever	
M400753	73
Anti-Torque Ring	
M400605	75, 79, 81, 85, 89, 91, 99

B

Ball Bearing	
M400592	45
M401375P	51, 55
M413921P	43
M413922P	43
44041901P	43
Bearing	
F100136P	43
Bearing Retainer	
M401370	51, 55
Belt	
M401182P	45, 47
M412090	53
M412981	53
Belt Drive Conversion Kit	
BDK5075	45
BDK5075R	43, 51
Belt Guard	
M413008	57, 67
M413541	51, 69
Belt Guard Assembly	
M44132402	53
44132401	45, 47
44132402	51
44132405	45, 47
44132407	53
Blower Cover	
M413399	65

Bolt	
M400650	43
M401393	57
M412119	49
M412475	45
Bracket	
M406936	89
Bumper	
M400795	113
Burner Assembly	
M405919	85, 89, 91
M410541P	85, 89, 91, 97, 99
Burner Kit	
M4448P3	75, 79, 81
Burner Orifice	
M400918	75
M400997	101
M400998	101
M400999	101
M401001	101
M401002	101
M401003	101
M401011	101
M401014	101
M401016	101
M401017	101
M401019	101
M401020	101
M401021	101
M401022	101
M401025	101
M401027	101
M402598	79
M402701	79
M402997	101
M403017	101
M406184	101
Q8152	75
Bushing	
H87529111P	65
M403432P	43
M412086P	53
M412885P	53
M412917P	53
Bypass Harness Assembly	
M413168	19, 29, 119

C

Cabinet Limit Harness Assembly	
M412670	113
M413693P	113
Cam and Screw	
M400595	39
Card Reader and Bracket Assembly	
D510068P	23
Card Reader Harness Assembly	
70211801	23
Card Reader Network Harness Assembly	
70206601	23
Chain Connecting Link	
M401360P	45

N/A items do not appear in index.

Chain Guard Assembly M409350	45	Contact Kit M4870P3	117, 133
Chain Sleeve M400755P	45	Control Box Harness Assembly M413678P	19, 89, 91
Chain Sprocket M401369P	45	M413679	19
Channel Ignition Kit 607P3	97	M413680	19
Circuit Board Support M405979	29, 85	M413683P	119
Circuit Breaker M412401	141	M413754	119
M412406	141	M413824	19, 119
Clip M400974	111	M413993	19
M400976	73	Control Box Wire Harness Assembly M411073	17
M400984	33	Control Harness M405871P	7
Coil M400915	117	Control Kit D505905P	23, 25
Coil Spring M402455	15	70228401P	19
Coin Carrier Spring M405138A	15	Control Panel Assembly M410660	11
Coin Drop 70256402P	25	M410680	11
70441601P	25	M413315	11
Coin Drop Assembly 38475	25	M413316	11
38519	25	M414204	13
Coin Meter M402508-12	7, 15	M414906	11
M402508-14	7, 15	Control Panel Retainer M401301	7, 9, 13
M402508-34	7, 15	M401302	7, 9, 13
M402508-36	7, 15	Control Panel Wire Harness Assembly M403924P	7, 9, 13
M402508-45	7, 15	M410488	9, 13
M405138P	7, 15	Control Plate Assembly 70175807	25
M412546	7	70348801	23
Coin Meter Drive M400754	15	Control Wire Harness Assembly M410487	9, 13
Coin Retainer Spring M406297	15	Counterweight M400822	73
Coin Vault Assembly 44102801	31	Cover Plate M401362	57
Coin Vault Jumper Wire M414305P	25	Cylinder M400439P	41
Communication Board 210095P	27	M400440P	41
210097	27	M401985P	41
Communication Cable M414875P	21	M402517P	41
Contact Block M412230	13	M405365P	41
44018701	13	Cylinder and Trunnion Assembly M406906P	41
Contact Kit M400905P	109	M409015P	41
M405116P	109	M409090P	41
M410457P	145	M409091	41
M410529	145	44037101	41
70323701P	135, 137, 139, 141	44037201	41
70343301P	141, 143	44068901P	41
Contact Kit M400905P	109	44069001	41
M405116P	109	Cylinder Assembly M405009P	41
M410457P	145	Cylinder Motor Harness M412745	67, 69
M410529	145	Cylinder Motor Harness Assembly M412573	67, 69
70323701P	135, 137, 139, 141	M413687	67, 69
70343301P	141, 143	M413688	67, 69
Contact Kit M400905P	109	Cylinder, Trunnion and Bearing Housing Kit M4819P3	41
M405116P	109	M4820P3	41
M410457P	145	M4821P3	41
M410529	145		
70323701P	135, 137, 139, 141		
70343301P	141, 143		
Contact Kit M400905P	109		
M405116P	109		
M410457P	145		
M410529	145		
70323701P	135, 137, 139, 141		
70343301P	141, 143		
Contact Kit M400905P	109		
M405116P	109		
M410457P	145		
M410529	145		
70323701P	135, 137, 139, 141		
70343301P	141, 143		
Contact Kit M400905P	109		
M405116P	109		
M410457P	145		
M410529	145		
70323701P	135, 137, 139, 141		
70343301P	141, 143		
Contact Kit M400905P	109		
M405116P	109		
M410457P	145		
M410529	145		
70323701P	135, 137, 139, 141		
70343301P	141, 143		
Contact Kit M400905P	109		
M405116P	109		
M410457P	145		
M410529	145		
70323701P	135, 137, 139, 141		
70343301P	141, 143		
Contact Kit M400905P	109		
M405116P	109		
M410457P	145		
M410529	145		
70323701P	135, 137, 139, 141		
70343301P	141, 143		
Contact Kit M400905P	109		
M405116P	109		
M410457P	145		
M410529	145		
70323701P	135, 137, 139, 141		
70343301P	141, 143		
Contact Kit M400905P	109		
M405116P	109		
M410457P	145		
M410529	145		
70323701P	135, 137, 139, 141		
70343301P	141, 143		
Contact Kit M400905P	109		
M405116P	109		
M410457P	145		
M410529	145		
70323701P	135, 137, 139, 141		
70343301P	141, 143		
Contact Kit M400905P	109		
M405116P	109		
M410457P	145		
M410529	145		
70323701P	135, 137, 139, 141		
70343301P	141, 143		
Contact Kit M400905P	109		
M405116P	109		
M410457P	145		
M410529	145		
70323701P	135, 137, 139, 141		
70343301P	141, 143		
Contact Kit M400905P	109		
M405116P	109		
M410457P	145		
M410529	145		
70323701P	135, 137, 139, 141		
70343301P	141, 143		
Contact Kit M400905P	109		
M405116P	109		
M410457P	145		
M410529	145		
70323701P	135, 137, 139, 141		
70343301P	141, 143		
Contact Kit M400905P	109		
M405116P	109		
M410457P	145		
M410529	145		
70323701P	135, 137, 139, 141		
70343301P	141, 143		
Contact Kit M400905P	109		
M405116P	109		
M410457P	145		
M410529	145		
70323701P	135, 137, 139, 141		
70343301P	141, 143		
Contact Kit M400905P	109		
M405116P	109		
M410457P	145		
M410529	145		
70323701P	135, 137, 139, 141		
70343301P	141, 143		
Contact Kit M400905P	109		
M405116P	109		
M410457P	145		
M410529	145		
70323701P	135, 137, 139, 141		
70343301P	141, 143		
Contact Kit M400905P	109		
M405116P	109		
M410457P	145		
M410529	145		
70323701P	135, 137, 139, 141		
70343301P	141, 143		
Contact Kit M400905P	109		
M405116P	109		
M410457P	145		
M410529	145		
70323701P	135, 137, 139, 141		
70343301P	141, 143		
Contact Kit M400905P	109		
M405116P	109		
M410457P	145		
M410529	145		
70323701P	135, 137, 139, 141		
70343301P	141, 143		
Contact Kit M400905P	109		
M405116P	109		
M410457P	145		
M410529	145		
70323701P	135, 137, 139, 141		
70343301P	141, 143		
Contact Kit M400905P	109		
M405116P	109		
M410457P	145		
M410529	145		
70323701P	135, 137, 139, 141		
70343301P	141, 143		
Contact Kit M400905P	109		
M405116P	109		
M410457P	145		
M410529	145		
70323701P	135, 137, 139, 141		
70343301P	141, 143		
Contact Kit M400905P	109		
M405116P	109		
M410457P	145		
M410529	145		
70323701P	135, 137, 139, 141		
70343301P	141, 143		
Contact Kit M400905P	109		
M405116P	109		
M410457P	145		
M410529	145		
70323701P	135, 137, 139, 141		
70343301P	141, 143		
Contact Kit M400905P	109		
M405116P	109		
M410457P	145		
M410529	145		
70323701P	135, 137, 139, 141		
70343301P	141, 143		
Contact Kit M400905P	109		
M405116P	109		
M410457P	145		
M410529	145		
70323701P	135, 137, 139, 141		
70343301P	141, 143		
Contact Kit M400905P	109		
M405116P	109		
M410457P	145		
M410529	145		
70323701P	135, 137, 139, 141		
70343301P	141, 143		
Contact Kit M400905P	109		
M405116P	109		
M410457P	145		
M410529	145		
70323701P	135, 137, 139, 141		
70343301P	141, 143		
Contact Kit M400905P	109		
M405116P	109		
M410457P	145		
M410529	145		
70323701P	135, 137, 139, 141		
70343301P	141, 143		
Contact Kit M400905P	109		
M405116P	109		
M410457P	145		
M410529	145		
70323701P	135, 137, 139, 141		
70343301P	141, 143		
Contact Kit M400905P	109		
M405116P	109		
M410457P	145		
M410529	145		
70323701P	135, 137, 139, 141		
70343301P	141, 143		
Contact Kit M400905P	109		
M405116P	109		
M410457P	145		
M410529	145		
70323701P	135, 137, 139, 141		
70343301P	141, 143		
Contact Kit M400905P	109		
M405116P	109		
M410457P	145		
M410529	145		
70323701P	135, 137, 139, 141		
70343301P	141, 143		
Contact Kit M400905P	109		
M405116P	109		
M410457P	145		
M410529	145		
70323701P	135, 137, 139, 141		
70343301P	141, 143		
Contact Kit M400905P	109		

D

Data Connector, 3 Circuit 210155	27
Deflector Shield M402746	81
Din Rail M412692	141
Diode Logic Board M405897P	29, 85
Disconnect Power Warning Label D505281	115
Door Assembly M400447P	35
M410887	35
430475	35
Door Catch Kit 70482901	35
Door Glass M400784P	35
70133601P	35
Door Glass Seal Kit 70211901P	35
Door Handle M400133	35
430117	35
Door Hinge Assembly M402714*	35
Door Latch M401223	35
Door Ring Gasket M406129	35
Door Safety Switch Kit M4842P3	37
Door Switch M400952	29
Door Switch Harness Assembly M412459	29
Door Switch Rod M400603	35
Double V Sheave M412916	53
Drive Rivet M400713	33
Drum Idler Wheel Assembly 430619	49

E

Electric Hood M412316	105
Electronic Coin Control Kit M4686P3	25
Emergency Stop Kit 44018701P	13
End Barrier M412633	135, 137, 139, 141
End Section M412540	135, 137, 141
End Stop M412615	139

70121001	135, 137, 139, 141
Exhaust Thimble M413173	113
Exhaust Thimble Assembly M412288	113
Extension Handle M412370	135, 137, 139
M412371P	141
Extension Spring M412120	47, 49

F

Fan and Bushing Assembly M414546	65
Fan Contactor M413614P	121, 123, 125, 127, 129
Fan Kit M4936P3	57
Fan Motor 44046001P	61, 63
Fan Motor Harness Assembly M413281	63
M413686	59, 61, 63
Felt Pad M402144	41
Ferrite Core Assembly M413930P	121, 123, 125, 127, 129, 143
Finger Guard M412366	135, 137, 139
M412367	141
Flexible Coupler M412551	37
Front Panel Assembly M410758LP	35
M410877*P	35
M411129*P	35
M411132P	35
M412792*P	35
Fuse D502593	135, 137, 141
M412996	139
M413118	121, 123, 125, 127, 129
M413623	121, 123, 125, 127, 129
M414104	19
M414232	121, 123, 125, 127, 129
430836	89
44310001	123, 129
70406501	19
Fuse Holder M413544P	123, 129
Fuse Receptacle 91024P	89, 121, 123, 125, 127, 129

G

Gas Shut-Off Valve M412562P	97, 99
Gas Stove Assembly M413657P	85, 91
M414366	91

N/A items do not appear in index.

Gas Valve	
M401224P	79
M401228P	75
M401229P	75
M401230P	75
M401231P	75
M402750P	81
M403151P	81
M409517P	89, 91
M410907P	95
M410908	95
M413332P	89, 93, 99
44154501P	93
Gas Valve Assembly	
M409152P	89, 91, 93
M409153P	89, 91
M409561P	89, 91
Gas Valve Bracket	
M405945	89, 91
M406814	85, 89, 91, 99
Gas Valve Coil	
44042901P	93
Gas Valve Flange Assembly	
M412568	97
Gas Valve Harness Assembly	
M413650	77, 83, 95, 99
Gas Valve Kit	
M401225P	79
M413468P	91, 93
44138701P	91, 93
Gas Valve Main Coil	
M411134	93
Gasket	
M400798	77, 83
Ground Buss Assembly	
M412656	135, 137, 139, 141
Ground Lug Connector	
M411283	109, 117, 143
Guide Rail	
M412476	45, 47, 51, 53
Guide Rail Support	
M413267	53
M413268	53

H

Handle and Cam Assembly	
M410243P	39
Harness Assembly	
M412997	77, 83, 97
M413690	73
Heater Cable Assembly	
M413959	107
M413960	107
Heater Cable Harness Assembly	
M412801	105
M412802	105
Heater Element	
M405253P	103
M405254P	103
M405255P	103
M405256P	103
M410939P	103, 105, 107
M410940P	103, 105, 107

M410941P	103, 105, 107
M412955P	105, 107
High Voltage Lead	
M406881	89, 91, 99
High Voltage Suppression Cable	
44239704	89, 91
Hinge Assembly	
M400514	35
Hinge Bracket	
431000*	35
431044	35
Hinge Pin	
M400653	35
Hood Assembly	
M401159	103
Housing and Trunnion Assembly	
M4642P3	43
M4643P3	43

I

Idler Arm Kit	
M414320P	49
Idler Housing	
M412612	55
Idler Housing Kit	
917P3	51, 55
943P3P	49
Idler Kit	
M4322P3	45
Idler Shaft	
M401371	51
M412099	55
M412223P	45, 49
M414241	55
Igniter	
55438P	81, 85
Igniter Bracket Assembly	
M402745P	81, 85
Igniter Kit	
M4337P3	79
M4338P3	79
Ignition Bracket	
M402594	79
Ignition Control	
M406789P	89, 91
M4898P3	97
70483201P	99
Ignition Control Harness Assembly	
M413548	99
Ignition Control Kit	
44264601	89, 91
Ignition Wire Harness Assembly	
M406880	89, 91
Instant Electronic Ignition Control	
M410904P	95

J

Jumper Bar	
M400866	103, 105, 107

N/A items do not appear in index.

Jumper Cable Assembly	
M413933	143
M413934	143
Jumper Cable Wire	
M412740	131
Jumper Configuration Assembly	
M413507	119
M413510	119
Jumper Harness	
44129201P	143
Jumper Harness Assembly	
M412871	105
M413505	119
M413506	119
M413508	119
M413509	119, 131
M414078	119
Jumper Strip	
M400869	103, 105, 107
Jumper Wire	
M400337	77
M402823	83
M402824	83
M402825	83
M404868	87
Jumper Wire Assembly	
M401281	103, 105
M403743	103
M412116	109
M412117	109
M412287	105, 107
M412645	19, 97

K

Key	
M400008	41, 47
M400993	45, 55, 57, 67
M401327	45, 47, 51, 55
M405232	41, 43
Key and Instruction Kit	
M400994P	57
Kickplate Kit	
M414438P	39
Knob	
M400773	9, 13
M400777	29
M410927	9, 13

L

Limit Thermostat	
M401404	79, 85, 89, 91
M405943	103
M406412	113
M409433	75, 81, 85, 89, 105, 107
M410220	85, 91, 99, 105, 107
M410542	39, 113
M411813	39
Lint Compartment Label	
430527	115
Lint Hood Assembly	
M400515	39

Lint Panel Assembly	
M400464LP	39
M402722LP	39
M405646	39
M414796*P	39
M414798*P	39
M414799P	39
Lint Screen Assembly	
M400522	39
Loading Spring	
M400401	51, 55
Lock and Key	
M401581P	31
Low Pressure Steam Cover	
M400828	111
L.P. Conversion Kit	
M4379P3	85, 89
M4454P3	85, 91
M4478P3	85, 91
M4609P3	85, 91
L.P. Gas Valve Kit	
M4897P3	91, 93
M4987P3	85
L.P. Valve Conversion Kit	
M405434P	87, 93

M

Magnetic Operator	
M406217P	77, 83
Main Coil	
M405430	87
Main Harness	
44098801	19
Main Harness Assembly	
M413546	29
M413676P	19
Manifold Pipe Assembly	
M406681	75, 79, 81, 85, 89, 91
M413395	99
Manual Reset Thermostat	
M411941	113
M411943	95
Membrane Switch	
M414368P	19
Micro Harness Assembly	
M413677	19
Micro Mounting Assembly	
M413738	19
Micro V Belt	
M411425P	47
Micro V Pulley	
M411466P	49
Micro V Sheave	
M412156	47
Microprocessor Overlay	
M412961	17
M413417	19
M413423	19
M413425	19
M413426	19
Motor	
M400611P	15
M409735P	59, 61, 63

N/A items do not appear in index.

M410852	67
M411188P	63
M411189P	59
M411190P	59
M411191P	59, 63
M412225P	61
M412226P	63
M412227P	63
44046101P	61
44046201P	61, 63
44046301P	65
Motor Base	
M413391	65
Motor Belt	
M411814P	51
Motor Bracket	
M411483	47, 53, 57
Motor Bracket Assembly	
M400520	67
M400521	67
Motor Capacitor	
M406291	63
M410296	63
M410298	63
M410300	63
M410301	63
M410302	63
Motor Hardware Kit	
M4426P3	57
Motor Harness Assembly	
M411828	59, 61, 67, 69
M411980	59, 61
M412107	67, 69
Motor Kit	
M412519P	67, 69
M412520P	67, 69
Motor Mount Assembly	
M413617	67, 69
Motor Mounting Ring Kit	
M405419P	57
Motor Replacement Kit	
M4833P3	61, 63
M4834P3	59, 61
M4857P3	59
M4858P3	59
Motor Wire Harness Assembly	
M409489	59, 61, 63
M409982	59, 61
M411827	59, 61, 67, 69
Mounting Plate	
M410800	17
M413397	17
70208801	23
Mounting Switch Base	
M412186	141
M412187P	135, 137, 139

N

Nameplate	
M410355	33
Nameplate Overlay	
M412963	33

Network Board	
210157P	27
Network Board Assembly	
210016P	21
Network Cable	
210165	27
Network Capacitor Assembly	
M413863	121, 123, 125, 127, 129
Network Capacitor Harness Assembly	
M413878	119, 121
Network Plug Support	
70201401	21
Network Wire Harness Assembly	
800217	21
Nut	
M400022	57
M400026	45, 47, 51, 53
M400033	43, 47
M400034	57
M400035	43, 47
M400672	7
M400926	79
M400977	73
M400979	73
M400981	29
M401548	75, 79, 81, 85, 89, 91, 99
M401930	41
M404993	41, 47, 53
M412626	47, 53
M412688	135, 137, 139, 141
M414215	35
Q6163	35, 103, 105
02428	45, 57, 65, 67, 69
02788	29
20274	43, 65
20275	35
52566	49
56156	49
70054	19, 25, 105, 107
70142	53, 57
N.G. Gas Valve Kit	
M4986P3	85

O

Operator	
M400331P	77
Overlay	
70115801	19
70128401	19
70184301	25
70184302	25
70184401	23
70239601	25
70239602	25

P

Panel Key	
M401677	33
M401680	33, 39
Panel Lock	
M406654P	33, 39

N/A items do not appear in index.

PC Board Standoff 210098	27
Pilot Electrode M402591P	79
Pilot Ignition Control M410011P	79
Pilot Light JST-163-2	9
Pilot Tubing M402596	79
Pipe M400749	75, 79, 81, 85, 89, 91, 97, 99
Pop Rivet M400003	35
M405750	7, 9, 13
Power Distribution Block M413865	143
Pulley M412884	53
M414564	57
M414565	67, 69
M414566	57
M414567	69
Pushbutton 44018801	13
Pushbutton Switch M413431	99
70413301	23, 25
Push-to-Start Switch Kit 44106901P	7, 9

R

Relay M400911P	9
M400912P	9, 17
M412534	135, 137, 139, 141
430746	121, 123, 125, 127
431349	121, 145
Relay Harness Assembly M412636	131
M412776P	131
M412777	131
M414032	119
M414150	119
M414224	119
Remote Igniter Kit M4385P3	79
Replacement Door Handle Kit 70133501P	35
Reset Assembly M400329P	77
Resilient Ring Kit M4525P3P	57
Resistor Assembly M400527	7, 9
M410992	9
Return Spring M405138B	15
Reversing Contactor M400906P	117
M410515P	117
M413615P	127, 129

Reversing Contactor Harness Assembly M414034	119
Reversing Contactor Jumper Assembly M413624	119
M413695	119
Reversing Contactor Kit M4849P3	117, 133
Reversing Jumper Harness Assembly M412927	119
M412928	119, 131
M412929	119, 131
Reversing Timer M411683	117, 133
Rib Rod M400901	41
M401411	41
M404992	41
Ring M400399	45, 47
Rocker Switch M413270	9, 17
Roller Chain M400597P	51
M401425	45
Run Light M404151	7

S

Screw D501086	135, 137, 139, 141
D501524	25
M400043	47, 53
M400044	17, 35, 109, 121, 123, 125, 127, 129
M400057	53, 57, 65, 67, 69
M400061	45
M400063	43
M400065	45, 47, 51, 67
M400071	7, 9, 29, 121, 123, 125, 127
M400072	7, 9, 29
M400077	49, 57
M400661	35
M400664	17, 39, 73, 75, 79, 81, 85, 89, 91, 95, 103, 109, 113
M401938	73
M402797	75, 79, 81, 85, 89, 91
M402917	7, 9, 109, 117, 121, 123, 125, 127, 129, 143
M405188	57, 67, 85, 89, 91
M405525	45, 47, 51
M405824	121, 123, 125, 127, 129, 145
M409385	35, 43, 51, 55, 79
M410059	57
M411052	9, 13
M412531	37
M412627	47, 53
M413565	69
Q6516	29
22688	65
27202	69, 71
33562	7, 9, 105, 107, 135, 137, 139, 141
39733	143
430497	19, 33, 73, 107, 109, 111, 113, 117
430648	49, 53
430757	39
431287	33

N/A items do not appear in index.

51778	121, 123, 125, 127, 129
51780	9, 109, 123, 125, 127, 129, 135, 137, 139, 141, 143, 145
51782	81, 85
62541	45, 51
70240301	107
Sensor	
D510213	81, 85
Sensor Cable Harness	
M413559P	19
44342602P	19
Sensor Probe	
M401209P	79
Shadow Box and Clip	
M400131P	31
Shadow Box Clip	
M400972	31
Sheave Kit	
44086901P	45, 47
Shut-Off Valve Kit	
M4983P3	75, 79, 81, 85, 89, 91, 99
Single Sheave	
M400147	51
Single V Sheave	
M412931	53
Sleeve	
M400925	79
Solenoid Valve DIN Connector	
70370301P	111
Spacer	
M401402	41
44024001	43, 53
Spark Electrode	
44328701P	89, 91, 97, 99
Spark Igniter	
M410905P	95
Spring Clip	
M400402	35
Sprocket	
M400090P	43
M401364P	51
M401365P	45
Spud Holder Assembly	
M406810	85, 91, 99
M410546	89, 99
Steam Coil	
M400636P	111
M400637P	111
Steam Heater Assembly	
M413572P	111
Steam Solenoid	
70351011P	111
70351012	111
Steam Valve	
F8322902	111
F8322903	111
M413298P	111
Steam Valve Coil	
M401383	111
M412258	111
M413299P	111
M413301	111
M413302	111
70205701P	111

Steam Valve Kit	
F951P3	111
Steam Valve Rebuild Kit	
M412259	111
Stove Assembly	
M414795	89
Stove Limit Harness Assembly	
M412609	89
M413691	91
Stove Limit Wire Harness Assembly	
M413499	91
Street Elbow	
H86070034	97
Support Bearing	
70448701	49
Switch	
M400947	15
Switch Base	
M412528	37
Switch Plate	
M413236	17

T

Tailpiece	
44092201	75, 79, 81, 85, 89
44092202	75, 79, 81, 85, 89
Temperature Control Thermostat	
M400780P	29
M406959P	29
Tension Plate Assembly	
M414405	47, 53
Terminal Block	
M400685	109
M405363	145
M405364	121, 123, 125, 127, 129, 145
M412042	109
M412045P	109, 141
M412537	135, 137, 141
M412538	139
M412631	135, 137, 139, 141
M412632	135, 137, 139, 141
M413864	143
430642	121, 123, 125, 127, 129
Terminal Block End	
M400681	109
Terminal Strip	
M413542	121, 123, 125, 127, 129
Thermistor	
M414704	39
Thermistor Assembly	
D510523	39
M413212P	39
Thermocouple	
M400934	75
Thermodisc Bracket	
M400838	81, 85, 89
Thermostat Bracket	
M401312	39
M402798	75, 79
M406882	85, 91
Thermostat Cover	
M414477	85, 91, 95

N/A items do not appear in index.

Thermostat Harness	
M412920	85, 91, 99
Thermostat Kit	
M4347P3	103
Thimble Vane Assembly	
M400503	113
M413382	113
Timer	
M412079P	13
Timer Kit	
M410900P	9
M410901P	9
M410902P	9
M410903P	9
Timer Motor	
M400609	15
M410789	15
Timing Cam	
M400732P	15
M400733P	15
M400734P	15
M400735P	15
M400736P	15
M400737P	15
M400738P	15
M400739P	15
M400740P	15
M400741P	15
Toggle Switch	
M400945	9, 17
Top Cover Panel	
M403385	33
Top Front Access Panel	
M410801*P	33
M410802	33
Top Front Panel	
M414350	33
Top Front Panel Assembly	
M414349*P	33
Transformer	
M401391P	29, 109, 117
M402650P	29
M412412P	139
M412477P	135, 137, 141
M413100P	99, 123
M414228P	121, 123, 125, 127, 129
M414229P	123, 129
Transformer Harness Assembly	
M412641	131
M412642	131
M414028	119
M414029	119
M414076	119
Transformer Kit	
M401199P	29
Trunnion and Bearing Assembly	
M4638P3	41
M4639P3	41
M4640P3	41
M4641P3	41
Trunnion Assembly	
M413833P	41
M413834P	41
M413836	41
44261801	41

Trunnion Housing	
M413826	43
Trunnion Housing Assembly	
M413832	43
Tumbler Dolly Kit	
M4379P4	35

V

Valve Rebuild Kit	
F8379502	111
Valve Repair Kit	
M400152	111
M401384	111
Valve Replacement Kit	
M4909P3	89, 93
Vane	
M400253	73
Vane Assembly	
M400541	73
Vault Key	
M401701	31

W

Warning Label	
D500316	115
M410892	115
Washer	
M400013	41, 45, 53, 57, 65, 67, 71
M400014	45, 47, 51, 53, 57
M400015	41, 43
M400017	35
M400080	45, 53, 57, 65, 67, 69, 71
M400081	45, 47, 51
M400606	75, 79, 81, 85
M400675	7, 35
M400991	57
M401947	41
M403958	47, 53
M405535	49
M412188	47, 53
M412530	35
02834	69
03189	35
03815	35, 79, 81
20103	43
Wire Harness Assembly	
M401909	73
M403824	73, 75, 81, 85, 89
M405372	9
M410599	89
Wire Lead	
M402597	79

N/A items do not appear in index.

