



AD-100 Parts Manual

Gas / Electric / Steam

1988 thru 1991

American Dryer Corporation
88 Currant Road
Fall River, MA 02720-4781
Telephone: (508) 678-9010 / Fax: (508) 678-9447
E-mail: service@amdry.com

Retain This Manual In A Safe Place For Future Reference

American Dryer Corporation products embody advanced concepts in engineering, design, and safety. If this product is properly maintained, it will provide many years of safe, efficient, and trouble-free operation.

ONLY properly licensed technicians should service this equipment.

OBSERVE ALL SAFETY PRECAUTIONS displayed on the equipment or specified in the installation/operator's manual included with the dryer.

WARNING: UNDER NO CIRCUMSTANCES should the door switch or the heat circuit devices ever be disabled.

WARNING: The dryer *must never* be operated with any of the back guards, outer tops, or service panels removed. PERSONAL INJURY or FIRE COULD RESULT.

We have tried to make this manual as complete as possible and hope you will find it useful. ADC reserves the right to make changes from time to time, without notice or obligation, in prices, specifications, colors, and material, and to change or discontinue models.

Important

For your convenience, log the following information:

DATE OF PURCHASE _____ MODEL NO. **AD-100** _____
DISTRIBUTORS NAME _____
Serial Number(s) _____

Replacement parts can be obtained from your distributor or the ADC factory. When ordering replacement parts from the factory, you can FAX your order to ADC at (508) 678-9447 or telephone your orders directly to the ADC Parts Department at (508) 678-9010. Please specify the dryer **model number** and **serial number** in addition to the **description** and **part number**, so that your order is processed accurately and promptly.

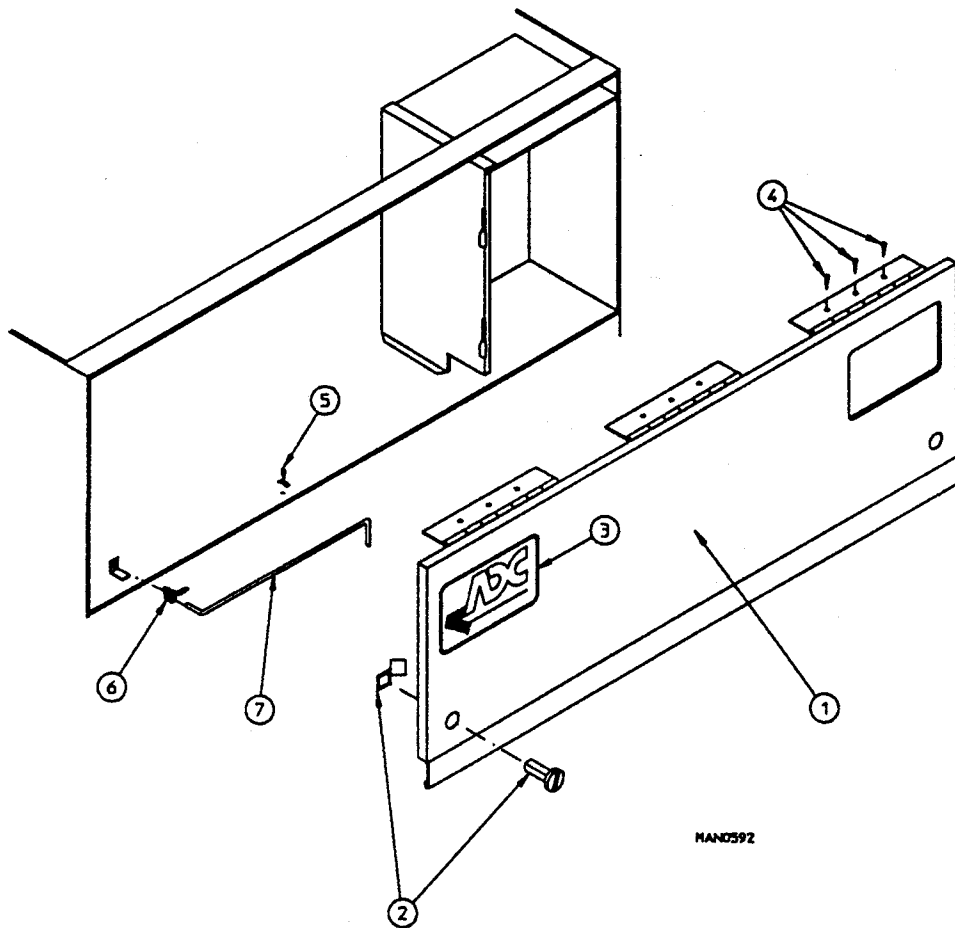
The illustrations on the following pages may not depict your particular dryer exactly. The illustrations are a composite of the various dryer models. Be sure to check the descriptions of the parts thoroughly before ordering.

INSTRUCTIONS TO BE FOLLOWED IN THE EVENT THE USER SMELLS GAS MUST BE POSTED IN A PROMINENT LOCATION. THE INSTRUCTIONS TO BE POSTED SHALL BE OBTAINED FROM THE LOCAL GAS SUPPLIER.

Table Of Contents

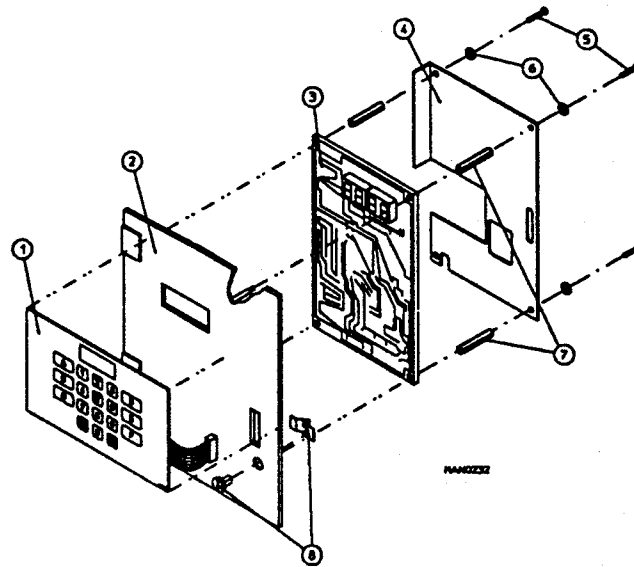
Control Door Assembly	3
Phase 4 OPL Microprocessor Control Panel Assembly	4
Phase 4 OPL Microprocessor Control Box Assembly	
For Gas and Steam Models with 24 Volt Controls Only	5
Phase 4 OPL Microprocessor Control Box Assembly	
For Gas and Electric Models with 208 or 230 Volt Controls Only with	
Solid State Relay Board	6
Phase 4 OPL Microprocessor Control Box Assembly	
For Models with 208 or 230 Volt Controls Only with Electromechanical	
Relay Board	7
Phase 3 OPL Microprocessor Control Panel Assembly	8
Phase 3 OPL Microprocessor Control Box Assembly	9
Dual Timer Control Panel Assembly	
For 208 or 230 Volt Controls Only	10
Dual Timer Control Box Assembly	
For 208 or 230 Volt Controls Only	11
Front Panel / Main Door Assemblies	12, 13
Main Door Switch Assembly	
Microprocessor Models Only	14
Main Door Switch Assembly	
Dual Timer Models Only	15
Drop Lint Door Assembly	16
Lint Trap Assembly	17
Sensor Bracket Assemblies	18, 19
Basket (Tumbler) / Support Assembly	20
Tumbler Bearing Mount Assembly	21
Idler Bearing Mount Assembly	22, 23
Totally Enclosed, Fan-Cooled Basket Motor Mount Assembly	24, 25
Blower Motor Mount Assembly	26, 27
Direct Spark Ignition (DSI) Burner Assembly	28, 29
Sail Switch / Burner Hi-Limit Assembly	30, 31
Electric Oven Assembly	32, 33
Electric Oven Relay Box Assembly	
208/240v-60Kw-50/60Hz-3ø	34
Electric Oven Relay Box Assembly	
416/480v-60Kw-50/60Hz-3ø	35
Steam Damper Assembly	
For Models Mfd. as of December 22, 1989	36, 37
Steam Damper Assembly	
For Models Mfd. Prior to December 22, 1989	38, 39

Microprocessor Reversing Control Assembly	
For Models with 24 Volt Controls Only	40
Microprocessor Reversing Control Assembly	
For Models with 208 or 230 Volt Controls Only	41
Microprocessor Reversing Control Assembly	
For Models with 208 or 230 Volt Controls Only with Telemecanique Relays	42
Microprocessor Reversing Control Assembly	
For Models with 208 or 230 Volt Controls Only with Dunco (Struthers-Dunn)	
Relays	43
Microprocessor Non-Reversing Control Assembly	
For Models with 208 or 230 Volt Controls Only with Telemecanique Relays	44
Microprocessor Non-Reversing Control Assembly	
For Models with 208 or 230 Volt Controls Only with Dunco (Struthers-Dunn)	
Relays	45
Dual Timer Reversing Control Assembly	
For Models with 208 or 230 Volt Controls Only with Telemecanique Relays	46
Dual Timer Reversing Control Assembly	
For Models with 208 or 230 Volt Controls Only with Dunco (Struthers-Dunn)	
Relays	47
Dual Timer Non-Reversing Control Assembly	
For Models with 208 or 230 Volt Controls Only with Telemecanique Relays	48
Dual Timer Non-Reversing Control Assembly	
For Models with 208 or 230 Volt Controls Only with Dunco (Struthers-Dunn)	
Relays	49
Back Guard / Heat Reclaimer Duct Assembly	50
DSI Burner Assembly Specifications	51
Electric Oven Component Application Chart	52
Stepdown Transformer Usage Listings	
Applications / Identification / Specifications	53
Electric Oven Element Structure	
208/240v-60Kw-50/60Hz-3ø	54
Electric Oven Element Structure	
416/480v-60Kw-50/60Hz-3ø	55
Electric Oven Power Distribution	
208/240v-60Kw-50/60Hz-3ø	56
Electric Oven Power Distribution	
416/480v-60Kw-50/60Hz-3ø	57
Additional Parts Available	58



Illus. No.	Part No.	Qty.	Description
1	800016*	1	AD-100 Control Door Assembly
	800044	1	AD-100 Stainless Steel Control Door Assembly
2	160005	2	Spring Turn Latch (2-piece)
3	112360	1	ADC Logo Only
	870011	1	Logo Double Tape Kit
4	150415	9	#10-16 x 1/2" Phillips Round Head Crimptite Screw
5	102600	1	Control Door Support Rod Catch
6	102601	1	Control Door Rod Retainer Clip
7	102501	1	AD-100 Control Door Rod Support

* Specify color when ordering

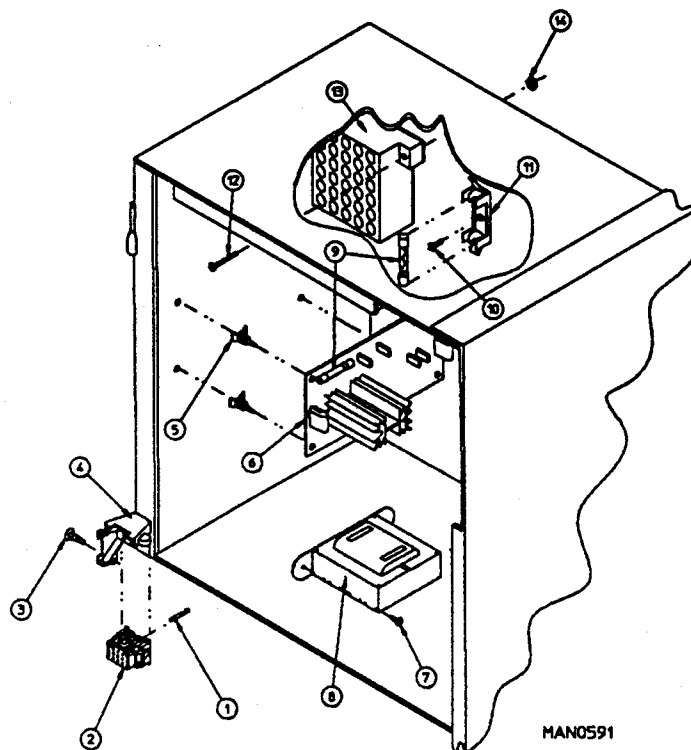


Illus. No.	Part No.	Qty.	Description
1	112535	1	OPL English Keyboard Label Assembly
	112276	1	OPL Stick-on Labels (English Only) ... Not Illustrated
	112275	1	OPL Stick-on Labels (Spanish, Italian, and Hebrew) ... Not Illustrated
	112277	1	3-Language OPL Stick-on Labels (English, Spanish, and Hebrew) ... Not Illustrated
	112278	1	5-Language OPL Stick-on Labels (Italian, Dutch, French, German, and Chinese) ... Not Illustrated
2	800057	1	Microprocessor Control Panel Only
	800164	1	Microprocessor Control Panel Only with Battery Bracket
	865092	1	Phase 4 OPL <u>Reversing</u> Microprocessor Control Panel Assembly Complete (includes illus. nos. 1 through 5)
	865096	1	Phase 4 OPL <u>Reversing</u> Microprocessor Control Panel Assembly Complete with Battery Option (includes illus. nos. 1 through 5)
	800171	1	Phase 4 OPL <u>Non-Reversing</u> Microprocessor Control Panel Assembly Complete (includes illus. nos. 1 through 5)
3	865095	1	Phase 4 OPL <u>Non-Reversing</u> Microprocessor Control Panel Assembly Complete with Battery Option (includes illus. nos. 1 through 5)
	137127	1	Phase 4 OPL <u>Reversing</u> Controller Only
	137128	1	Phase 4 OPL <u>Reversing</u> Controller Only with Battery Clip
	137125	1	Phase 4 OPL <u>Non-Reversing</u> Controller Only
4*	127126	1	Phase 4 OPL <u>Non-Reversing</u> Controller Only with Battery Clip
	306052	1	Electrostatic Shield
5	150108*	4	8-32 x 1/2" Pan Head Screw
	152001	4	#8-32 Hex Nut
6*	153000	4	#8 Steel Burr
7*	137011	4	8-32 x 1/4" Aluminum Standoff
8	160005	1	Spring Turn Latch (2-piece)

IMPORTANT: Check label on computer chip to verify correct part number for controller.

* Used on gas dryer models with the Direct Spark Ignition (DSI) system manufactured prior to March 13, 1989.

For Gas and Steam Models with 24 Volt Controls



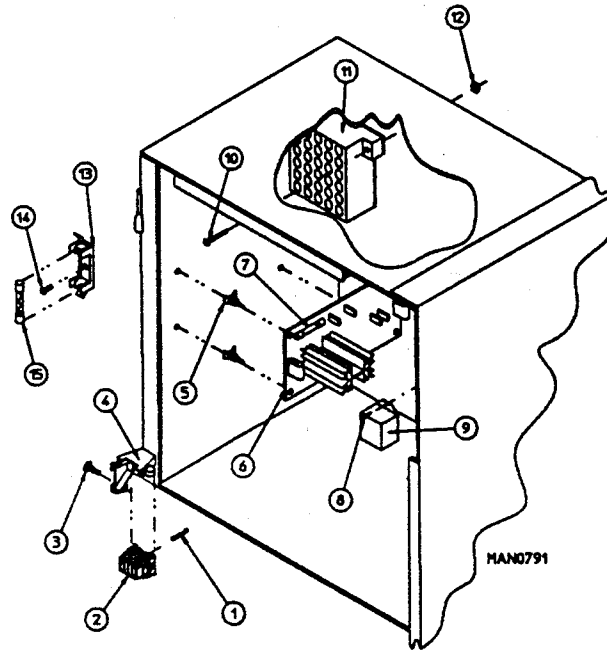
Illus. No.	Part No.	Qty.	Description
1	137021	12*	Microprocessor Socket Only
2	137020	1	15-Pin Microprocessor Connector Only
	122800	1	Microprocessor (female) Pin Extraction Tool
3	150315	1	#6 x 3/8" Phillips Pan Head Screw
4	137022	1	15-Pin Strain Relief Only
5	137013	4	Nylon Standoff (for steam damper models ONLY)
6	137152	1	24 VAC Solid State Relay Board (for steam damper models ONLY)
7	150300	2	#10 x 1/2" Hex Washer Tek Screw
8	141403	1	24 VAC Transformer
9**	136057	***	1/2-Amp (Slo Blo) Fuse Only
10	150301	***	#8 x 7/16" Self Drilling Screw
11	136008	***	Fuse Block / Strip Only
12	150002	2	#6-32 x 1" Slotted Round Head Machine Screw
13	120715	1	30-Position Terminal Block
14	151000	2	#6-32 Pal Nut

* Some models require a quantity of 14.

** Check fuse rating for verification.

*** As required.

For Steam and Electric Models with 208 or 230 Volt Controls Only with Solid State Relay Board



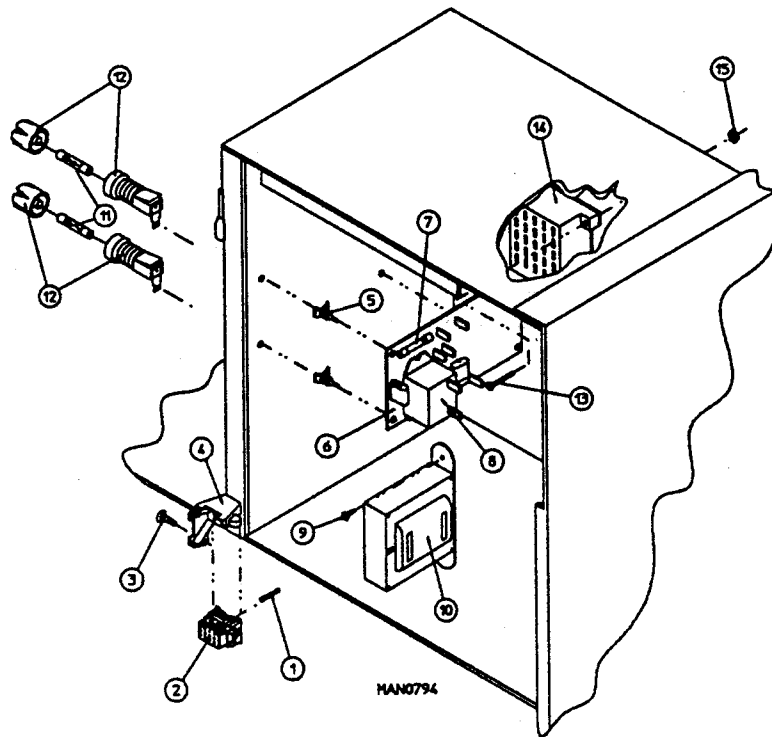
Illus. No.	Part No.	Qty.	Description
1	137021	12*	Microprocessor Socket Only
2	137020	1	15-Pin Microprocessor Connector Only
	122800	1	Microprocessor (female) Pin Extraction Tool
3	150315	1	#6 x 3/8" Phillips Pan Head Screw
4	137022	1	15-Pin Strain Relief Only
5	137013	4	Nylon Standoff
6	137151	1	Motor Control Solid State Relay Board Only - 1HP, 125v-250v/1/50/60
	137078	1	Arc Suppressor Board with Relay Only (208/230v controls)
	137061	1	Arc Suppressor Board Only without Relay
7**	136057	***	1/2-Amp (Slo Blo) Fuse Only
	136052	***	4-Amp Fuse Only
8	150415	2	#10 x 1/2" Phillips Round Head CrimpTite Screw
9	131031	1	Steam Valve Relay (for high pressure steam models only) 208/230v
10	150002	2	#6-32 x 1" Slotted Round Head Machine Screw
11	120715	1	30-Position Terminal Block
12	151000	2	#6-32 Pal Nut
13	136057	***	Fuse Block / Strip Only
14	150301	***	#8 x 7/16" Self Drilling Screw
15**	136008	***	1/2-Amp (Slo Blo) Fuse Only

* Some models require a quantity of 14.

** Check fuse rating for verification.

*** As required.

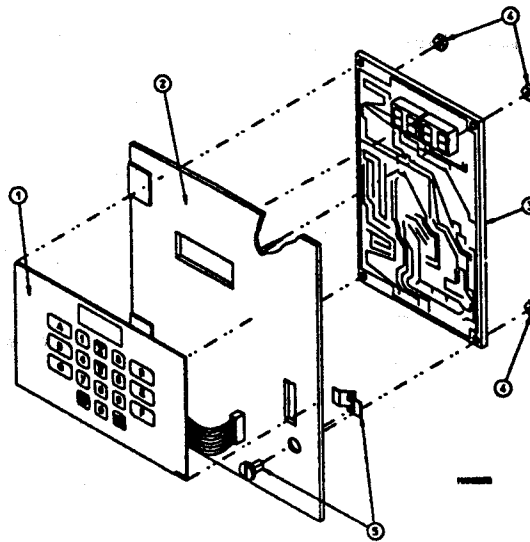
For Models with 208 or 230 Volt Controls Only with Electromechanical Relay Board



Illus. No.	Part No.	Qty.	Description
1	137021	12*	Microprocessor Socket Only
2	137020	1	15-Pin Microprocessor Connector Only
	122800	1	Microprocessor (female) Pin Extraction Tool
3	150315	1	#6 x 3/8" Phillips Pan Head Screw
4	137022	1	15-Pin Strain Relief Only
5	137013	4	Nylon Standoff
6	137061	1	Arc Suppressor Board Only without Relay (for electric models only)
	137078	1	Arc Suppressor Board with Relay Only (for steam models only)
7	136052	2	4-Amp Fuse Only
8	131930	1	Electromechanical Relay Only (208/230v)
9	150300	2	#10 x 1/2" Self Drilling Screw
10	141403	1	DSI 24 VAC Transformer (for gas models only)
11	136052	**	4-Amp Fuse Only
12	136002	**	Panel Mount Fuse Holder Only
13	150002	2	6-32 x 1" Slotted Round Head Screw
14	120715	1	30-Position Terminal Block
	120709	1	Terminal Strip (8-position)
15	151000	2	6-32 Pal Nut

* Some models require a quantity of 14.

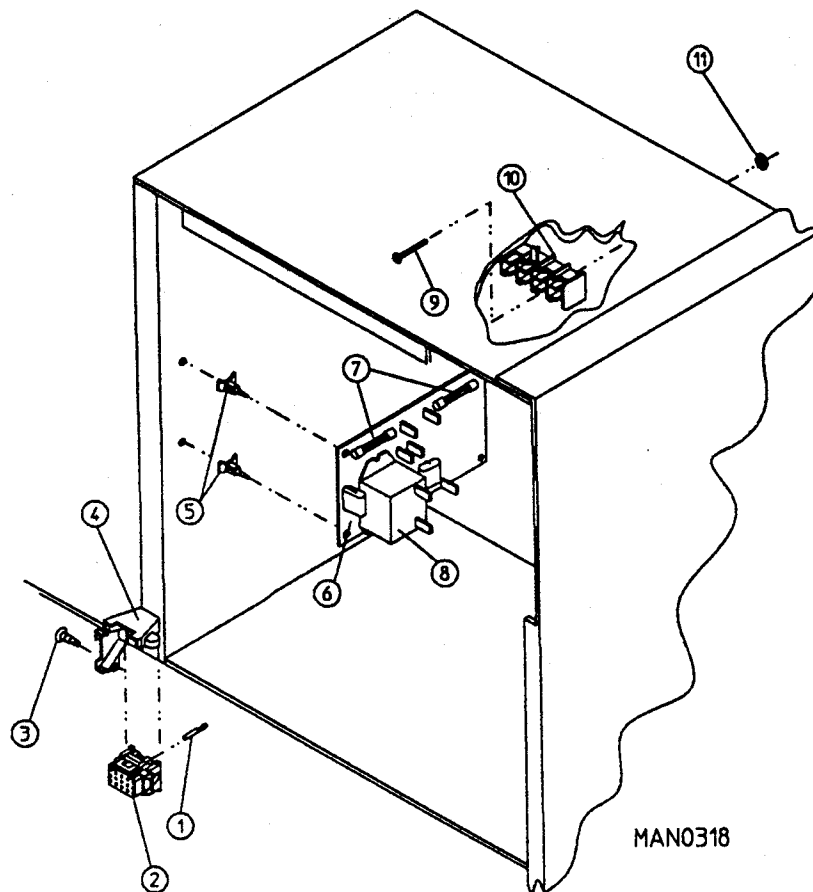
** As required.



Illus. No.	Part No.	Qty.	Description
1	112535	1	OPL English Keyboard Label Assembly
	112276	1	OPL Stick-on Labels (English Only) ... Not Illustrated
	112275	1	OPL Stick-on Labels (Spanish, Italian, and Hebrew) ... Not Illustrated
	112277	1	3-Language OPL Stick-on Labels (English, Spanish, and Hebrew) ... Not Illustrated
	112278	1	5-Language OPL Stick-on Labels (Italian, Dutch, French, German, and Chinese) ... Not Illustrated
2	800057	1	Microprocessor Control Panel Only
	800164	1	Microprocessor Control Panel Only with Battery Bracket
	865088	1	Phase 3 OPL <u>Reversing</u> Microprocessor Control Panel Assembly Complete (includes illus. nos. 1 through 5)
	865089	1	Phase 3 OPL <u>Reversing</u> Microprocessor Control Panel Assembly Complete with Battery Option (includes illus. nos. 1 through 5)
	800161	1	Phase 3 OPL <u>Non-Reversing</u> Microprocessor Control Panel Assembly Complete (includes illus. nos. 1 through 5)
3	800163	1	Phase 3 OPL <u>Non-Reversing</u> Microprocessor Control Panel Assembly Complete with Battery Option (includes illus. nos. 1 through 5)
	137094	1	Phase 3 OPL <u>Reversing</u> Controller Only
	137095	1	Phase 3 OPL <u>Reversing</u> Controller Only with Battery Clip
	137092	1	Phase 3 OPL <u>Non-Reversing</u> Controller Only
4	127093	1	Phase 3 OPL <u>Non-Reversing</u> Controller Only with Battery Clip
	152001	4	#8-32 Hex Nut
5	160005	1	Spring Turn Latch (2-piece)

IMPORTANT: Check label on computer chip to verify correct part number for controller.

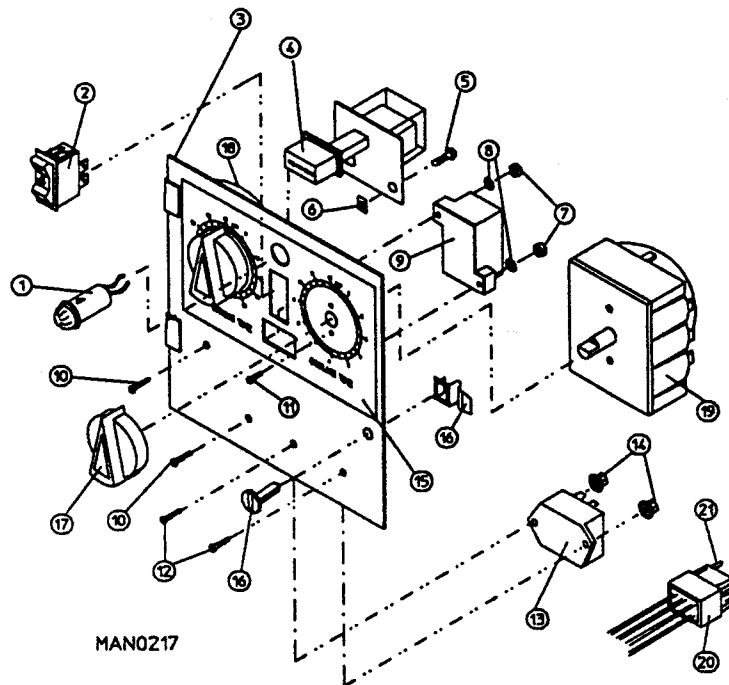
NOTE: OPL controllers listed are suitable for all voltage applications.



Illus. No.	Part No.	Qty.	Description
1	137021	14*	Microprocessor Socket Only
2	137020	1	15-Pin Microprocessor Connector Only
	122800	1	Microprocessor (female) Pin Extraction Tool
3	150315	1	#6 x 3/8" Phillips Pan Head Screw
4	137022	1	15-Pin Strain Relief Only
5	137013	4	Nylon Standoff
6	137061	1	Arc Suppressor Board Only without Relay (for electric models only)
	137078	1	Arc Suppressor Board with Relay Only (for steam models only)
7	136052	2	4-Amp Fuse Only
8	131930	1	Electromechanical Relay Only (208/230v)
9	150002	2	6-32 x 1" Slotted Round Head Screw
10	120709	1	Terminal Strip (8-position)
11	151000	2	6-32 Pal Nut

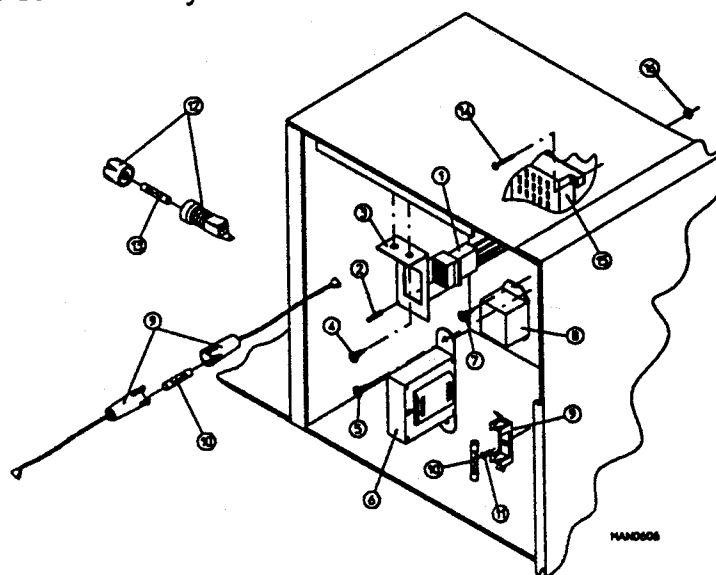
* Some models require a quantity of 15.

For 208 or 230 Volt Controls Only



Illus. No.	Part No.	Qty.	Description
1	123001	1	Red Indicator Light 230v
2	122400	1	Rocker Heat Selector Switch
3	865551	1	Dual Timer Control Panel Assembly Complete 230v (includes illus. nos. 1 through 21)
	800051	1	Dual Timer Control Panel Only
4	131813	1	Push To Start Relay 230v
5	150207	2	#10-24 x 1/2" Round Head Machine Screw
6	154001	2	#10-24 Speed Nut
7	152000	2	#6-32 Hex Nut
8	153010	2	#6 Star Washer
9	120713	1	18-Position Terminal Block (for models mfd. as of May 3, 1989)
	120708	1	3-Position Terminal Strip (for models mfd. prior to May 3, 1989)
10	150002	2	#6-32 x 1" Slotted Round Head Machine Screw
11	150110	4	#8-32 x 1/4" Phillips Machine Screw
12	150001	2	#6-32 x 1/2" Round Head Machine Screw
13	131031	1	Dual Timer Relay 230v
14	151000	2	#6-32 Pal Nut
15	112050	1	Dual Timer Label Only
16	160005	1	Spring Turn Latch (2-piece)
17	124103	2	Arrow Timer Knob
18	124021	1	60 Minute Timer 230v
19	124023	1	15 Minute Timer 230v
20	122602	1	9-Pin Connector Only
21	122700	8	Pin Terminal Only
—	122801	1	Pin / Socket Extraction Tool

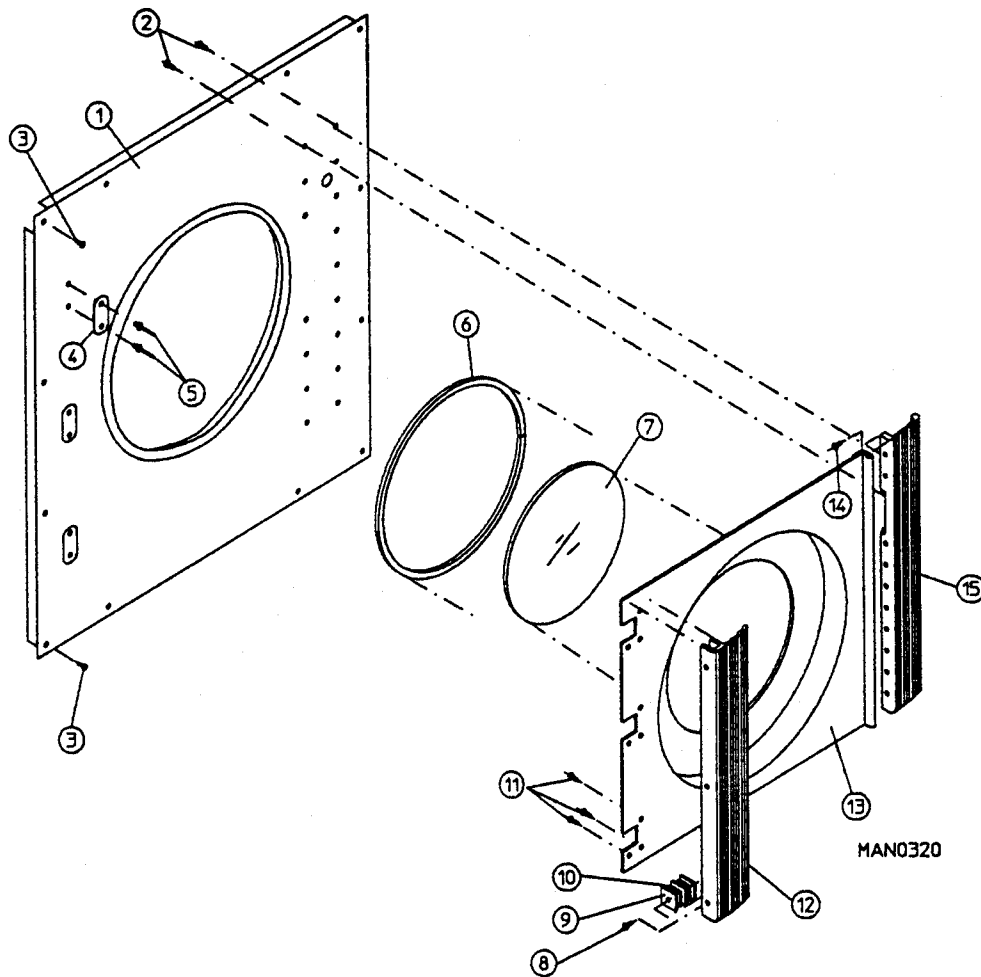
For 208 or 230 Volt Controls Only



Illus. No.	Part No.	Qty.	Description
1	122603	1	9-Pin Socket Connector
2	122701	9	Socket Terminal Only
	122801	1	Pin / Socket Extraction Tool
3	315010	1	9-Pin Connector Bracket
4	150300	2	#10 x 1/2" Hex Washer Tek Screw
5	150300	2	#10 x 1/2" Hex Washer Tek Screw
6	141403	*	24 VAC Transformer
7	150415	2	#10-16 x 1/2" Phillips Round Head Crimptite Screw
8	131031	1	Steam Valve Relay (for high pressure steam models only) 208/230v
9	136008	*	Fuse Block / Strip Only
	875250	*	In-Line Fuse Holder Assembly Only
10**	136057	*	1/2-Amp (Slo Blo) Fuse Only
	136052	*	4-Amp Fuse Only
	136054	*	15-Amp (Slo Blo) Fuse Only
	136056	*	20-Amp (Slo Blo) Fuse Only
11	150301	*	#8 x 7/16" Phillips Pan Head Tek Screw
12	136002	*	Panel Mount Fuse Holder Assembly Only
13**	136052	*	4-Amp Fuse Only
	136054	*	15-Amp (Slo Blo) Fuse Only
	136056	*	20-Amp (Slo Blo) Fuse Only
14	150002	2	#6-32 x 1" Slotted Round Head Machine Screw
15	120715	1	30-Position Terminal Block
	120709	1	Terminal Strip (8-position) ... Not Illustrated
16	151000	2	#6-32 Pal Nut

* As required.

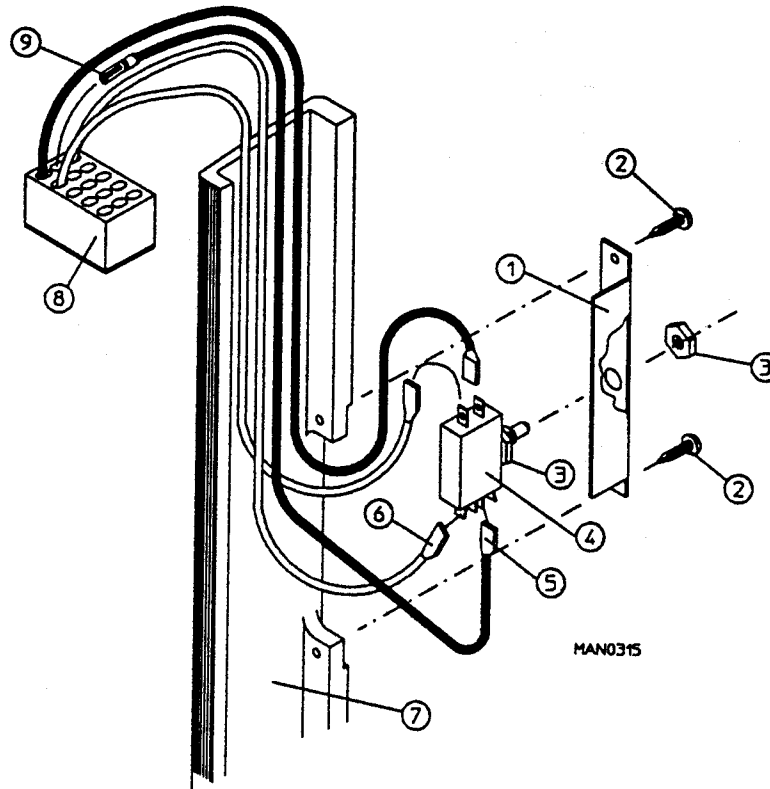
** Check fuse rating for verification.



Illus. No.	Part No.	Qty.	Description
1	800349*	1	AD-100 Right-Hand Front Panel Assembly (includes illus. nos. 1, 4, and 5)
	850751	1	AD-100 Stainless Steel Right-Hand Front Panel Assembly (includes illus. nos. 1, 4, and 5)
2	150402	15	#10-24 x 5/8" Special Head Machine Screw
3	150415	12	#10-16 x 1/2" Phillips Round Head Crimptite Screw
4	170340	3	3-1/2" Stainless Steel Striker Pad
5	154200	6	5/32" Pop Rivet
6	102308	1	AD-100 Door Gasket Only (94" length)
7	102210	1	20-7/16" Door Glass Only
—	170725	1	Glass and Gasket Adhesive
8	150401	3	#10-24 x 1-1/4" Phillips Taptite Screw
9	306801	6	Magnet Keeper Only
10	102100	6	1" x 1" x 1/4" Main Door Magnet Only
11	150415	9	#10-16 x 1/2" Phillips Round Head Crimptite Screw
12	170201	1	35" Main Door Handle Only
13	800110*	1	AD-100 Main Door Assembly Complete (includes illus. nos. 6 through 13)
	800111	1	AD-100 Stainless Steel Main Door Assembly Complete (includes illus. nos. 6 through 13)
	800122*	1	AD-100 Main Door Assembly with Glass and Gasket Only (includes illus. nos. 6, 7, and 13)
	800123	1	AD-100 Stainless Steel Main Door Assembly with Glass and Gasket (includes illus. nos. 6, 7, and 13)
	800112	1	AD-100 Main Door Only
	800113	1	AD-100 Stainless Steel Main Door Only
14	150430	11	#10 x 1/2" Phillips Self Drilling Screw
15	170210	1	35" Main Hinge Block Only

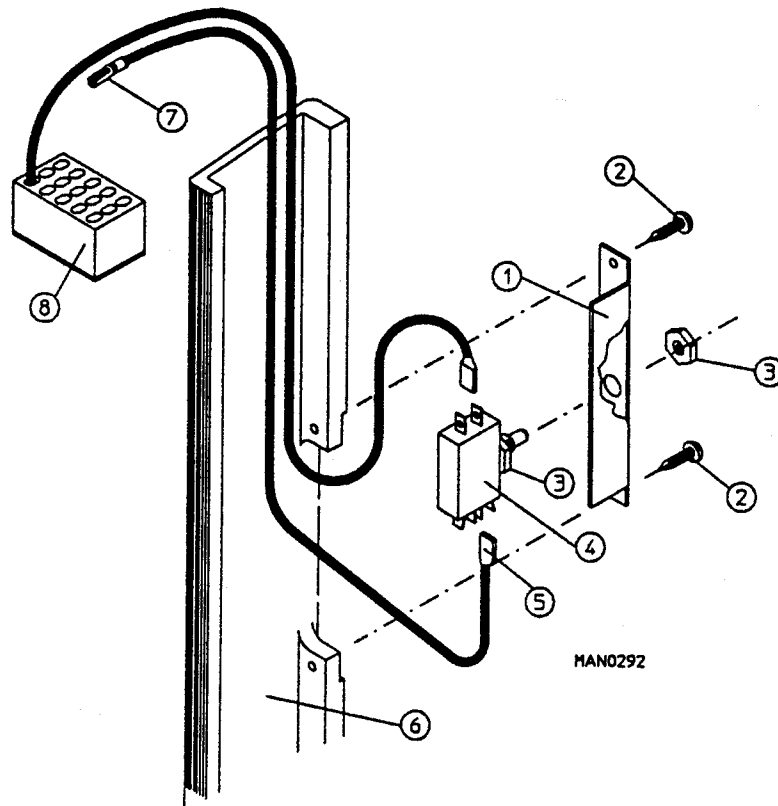
* Specify color when ordering.

Microprocessor Models Only

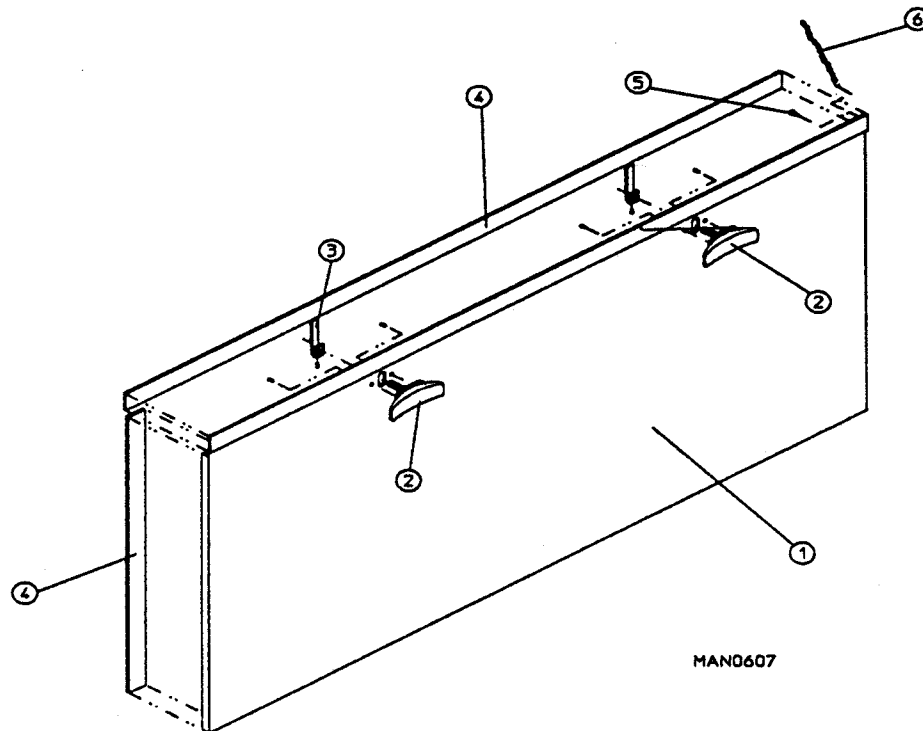


Illus. No.	Part No.	Qty.	Description
1	313208	1	Door Switch Bracket
2	150415	2	#10-16 x 1/2" Phillips Round Head Crimptite Screw
3	152003	2	3/8-32 x 1/2" Thick Door Switch Nut
4	137006	1	Door Switch Only
5	121028	2	1/4" x .032" Insulated Terminal Only
6	121027	2	3/16" x .032" Insulated terminal Only
7	170210	1	35" Main Door Hinge Block Only
8	122626	1	15-Pin Cap Housing Only (M/L)
9	122705	4	Socket Mate to Split Pin

Dual Timer Models Only

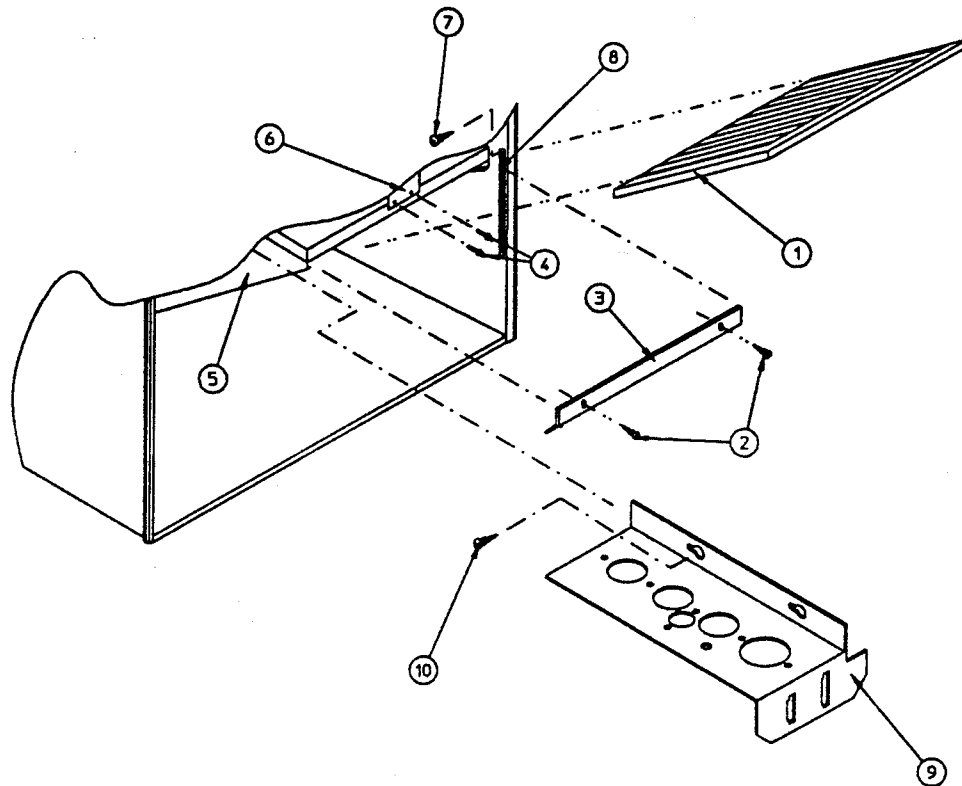


Illus. No.	Part No.	Qty.	Description
1	313208	1	Door Switch Bracket
2	150415	2	#10-16 x 1/2" Phillips Round Head Crimptite Screw
3	152003	2	3/8-32 x 1/2" Door Switch Nut
4	137006	1	Door Switch Only
5	121028	2	1/4" x .032" Insulated Terminal Only
6	170210	1	35" Main Door Hinge Block Only
7	122705	2	Socket Mate to Split Pin
8	122626	1	15-Pin Cap Housing Only (M/L)

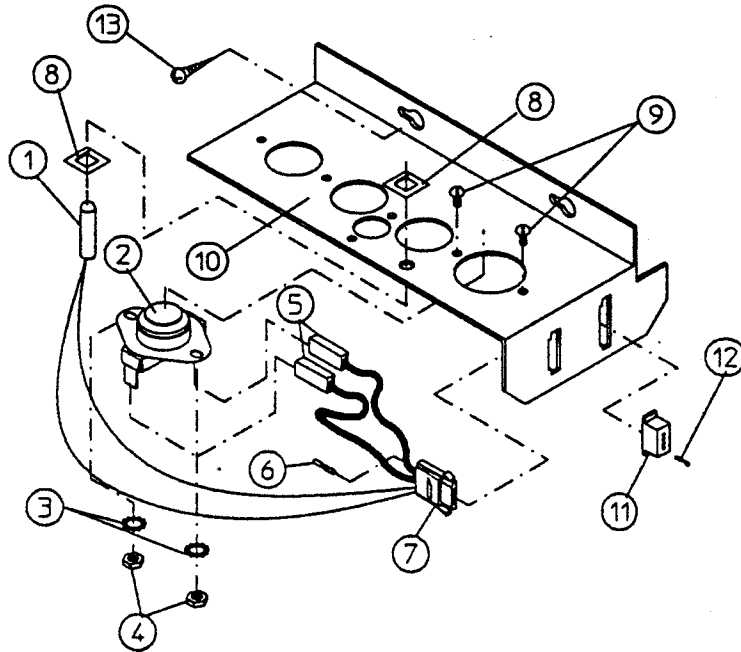


Illus. No.	Part No.	Qty.	Description
1	800213*	1	AD-100 Drop Lint Door Assembly (includes illus. nos. 1 and 4 only)
	800238	1	AD-100 Stainless Steel Drop Lint Door Assembly (includes illus. nos. 1 and 4 only)
2	800150	2	Knob Latch Kit Assembly (includes illus. nos. 2 and 3)
	160200	2	Knob Latch Only with 2 Screws
3	160009	2	Knob Latch Adjustable Cam
	150425	2	#12-24 x 3/8" Round Head Machine Screw (screw for knob latch adjustable cam)
4	117600	7	Noise Suppressor Tape (sold in feet)
5	150419	2	#6 x 1/2" Tamperproof Tek Screw
6	108120	1	Chain for Drop Lint Door (10-1/2" length)
-	150418	1	Tamperproof Screw Hand Driver

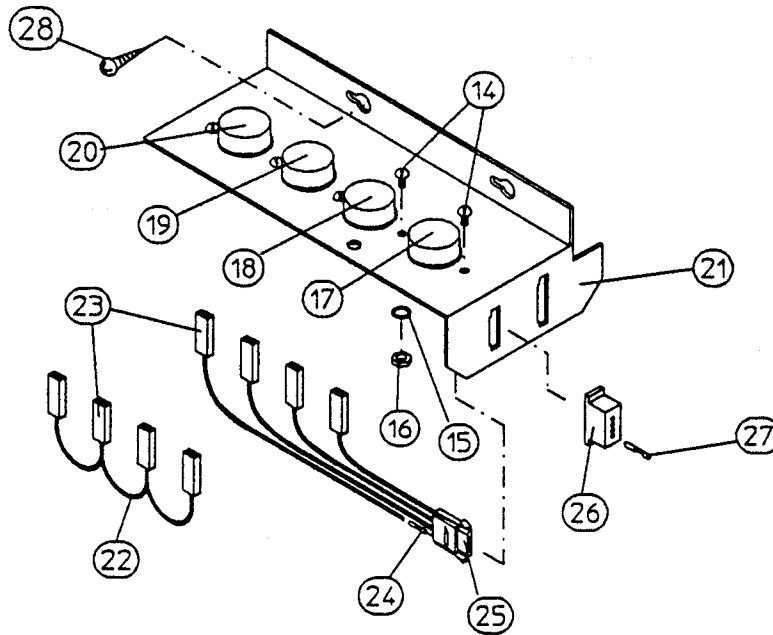
* Specify color when ordering.



Illus. No.	Part No.	Qty.	Description
1	800504	1	AD-100 Lint Screen Only
2	150300	2	#10 x 1/2" Hex Washer Tek Screw
3	304024	1	Lint Screen Holder Support Bracket
4	154200	2	5/32" Pop Rivet
5	800413	1	AD-100 Lint Trap Assembly Complete (for all models except super steam) (includes illus. nos. 1, 2, 3, and 5)
	800415	1	ADS-100 Lint Trap Assembly Complete (for super steam models only) (includes illus. nos. 1, 2, 3, and 5)
	800412	1	AD-100 Lint Trap Only (for all models except super steam)
	800414	1	ADS-100 Lint Trap Only (for super steam models only)
6	304025	1	Lint Trap Hanger Bracket Only
7	150419	1	#6 x 1/2" Tamperproof Tek Screw
8	108120	1	Chain for Drop Lint Door (10-1/2" length)
9	—	1	Universal Sensor Bracket (see AD-100 Sensor Bracket Assemblies on pages 18 and 19)
10	150301	2	#8-18 x 7/16" Phillips Pan Head Tek Screw
—	150418	1	Tamperproof Screw Hand Driver



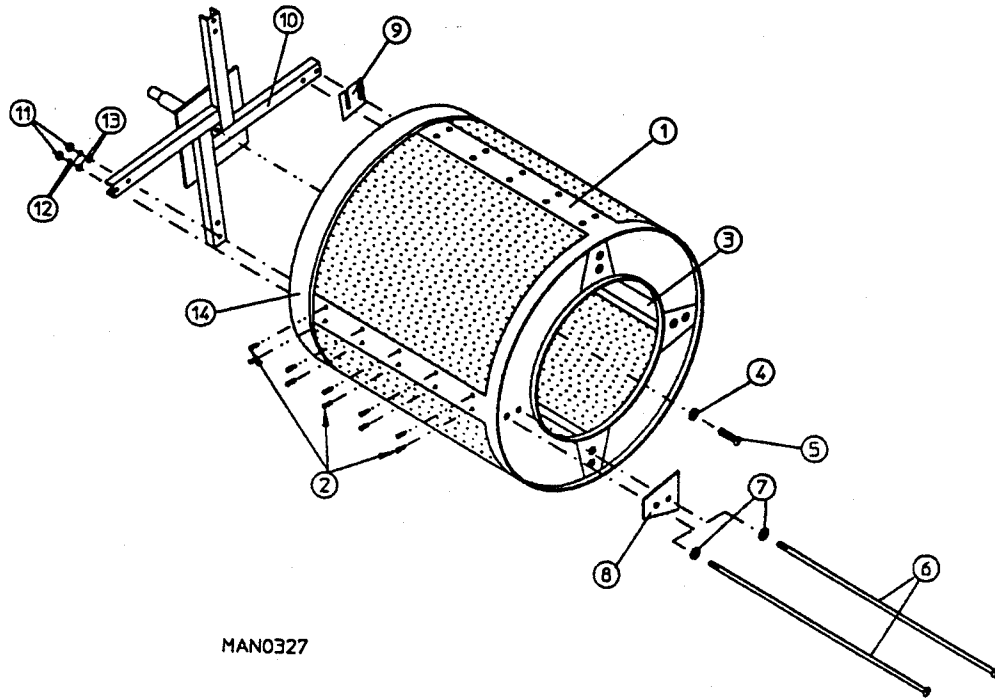
MICROPROCESSOR SENSOR BRACKET ASSEMBLY



NON-MICROPROCESSOR SENSOR BRACKET ASSEMBLY

MAN0609

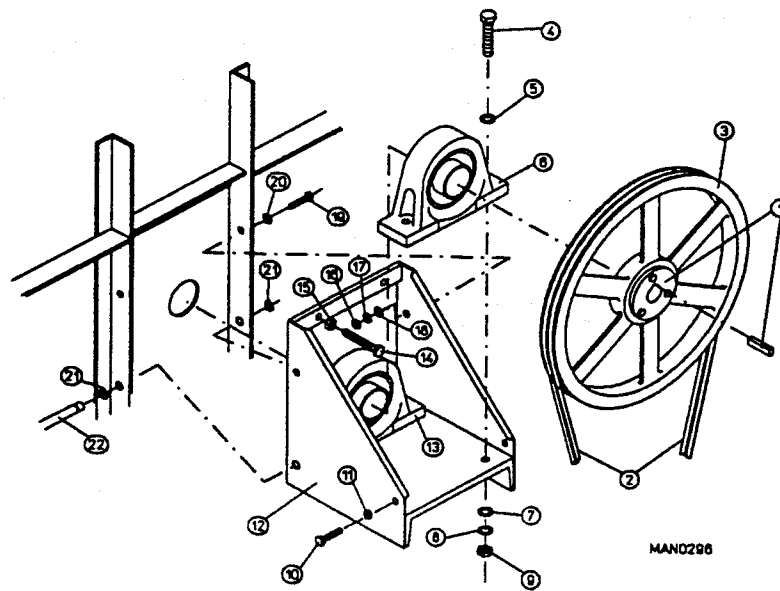
Illus. No.	Part No.	Qty.	Description
1	880251	1	1/4" Temperature Sensor Probe Assembly (includes illus. nos. 1 and 5 through 8)
2	130103	1	225° Large Automatic Reset Thermostat
3	153010	2	#6 Star Washer
4	152000	2	#6-32 Hex Nut
5	121028	2	Insulated Terminal Only
6	122701	4	Socket Terminal Only
7	122605	1	4-Pin Socket Connector Only
8	154007	2	1/4" Tinnerman Push-on Fastener
9	150000	2	#6-32 x 1/4" Round Head Machine Screw
10	801425	1	Microprocessor Sensor Bracket Assembly Complete (includes illus. nos. 1 through 10)
	305007	1	Universal Sensor Bracket Only
11	122604	1	4-Pin Connector Only
12	122700	4	Pin Terminal Only
13	150301	2	#8 x 7/16" Phillips Pan Head Tek Screw
14	150000	5	#6-32 x 1/4" Round Head Machine Screw
15	153010	5	#6 Star Washer
16	152000	5	#6 Hex Nut
17	130101	1	180° Large Thermostat (for gas and electric models only)
	130104	1	215° Large Thermostat (for steam models only)
18	130109	1	140° Large Thermostat (for gas and electric models only)
	130100	1	150° Large Thermostat (for steam models only)
19	130107	1	160° Large Thermostat (for gas and electric models only)
	130101	1	180° Large Thermostat (for steam models only)
20	130103	1	225° Large Automatic Reset Thermostat (for all models)
21	801403	1	Non-Microprocessor Sensor Bracket Assembly Complete (includes illus. nos. 14 through 25) (for gas and electric models only)
	801408	1	Non-Microprocessor Sensor Bracket Assembly Complete (includes illus. nos. 14 through 25) (for steam models only)
	305007	1	Universal Sensor Bracket Only
22	831701	1	AD-100 Sensor Jumper (4) Only
23	121028	4	Insulated Terminal Only
24	122701	4	Socket Terminal Only
25	122605	1	4-Pin Socket (female) Connector Only
	840062	1	Sensor (4) Bracket Harness Assembly (includes illus. nos. 23, 24, and 25)
26	122604	1	4-Pin Connector Only
27	122700	4	Pin Terminal Only
	122801	1	Pin / Socket Extraction Tool
28	150301	2	#8 x 7/16" Phillips Pan Head Tek Screw



Illus. No.	Part No.	Qty.	Description
1*	800707	1	AD-100 Basket Only
	800858	1	AD-100 Stainless Steel Basket Only
	800807	1	AD-100 Basket and Support Assembly Complete (includes illus. nos. 1 through 13)
	800868	1	AD-100 Stainless Steel Basket and Support Assembly Complete (includes illus. nos. 1 through 13)
2	150415	40	#10-16 x 1/2" Phillips Round Head Crimptite Screw
3	301300	4	AD-100 Basket Rib Only
	301400	4	AD-100 Stainless Steel Basket Rib Only
4	153014	1	7/16" Flat Washer
5	150500	1	5/16-18 x 3/4" Socket Button Head Screw
6	100904	8	7/16-14 x 43" Tie Rod
7	153013	8	7/16" Lock Washer
8	301700	4	Basket Reinforcing Plate Only
9	301701	**	AD-100 Basket Shim Only
10	800607	1	AD-100 Basket Support Only
11	153014	8	7/16" Flat Washer
12	153013	8	7/16" Lock Washer
13	152009	8	7/16-14 Hex Nut
14	116004	1	Felt Collar Only
—	401010	1	#847 Adhesive for Felt Collar

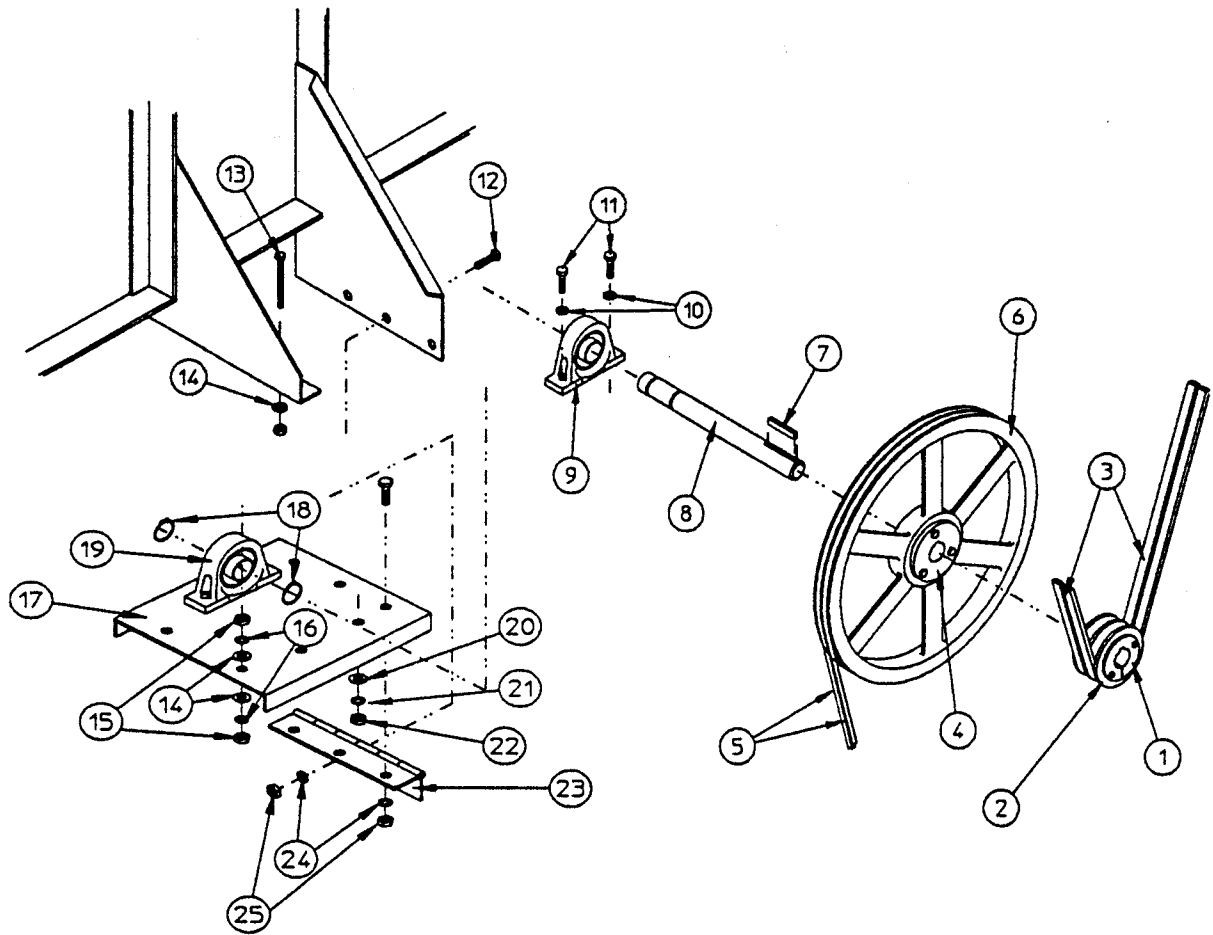
* Felt collar not included and must be ordered separately.

** As required.



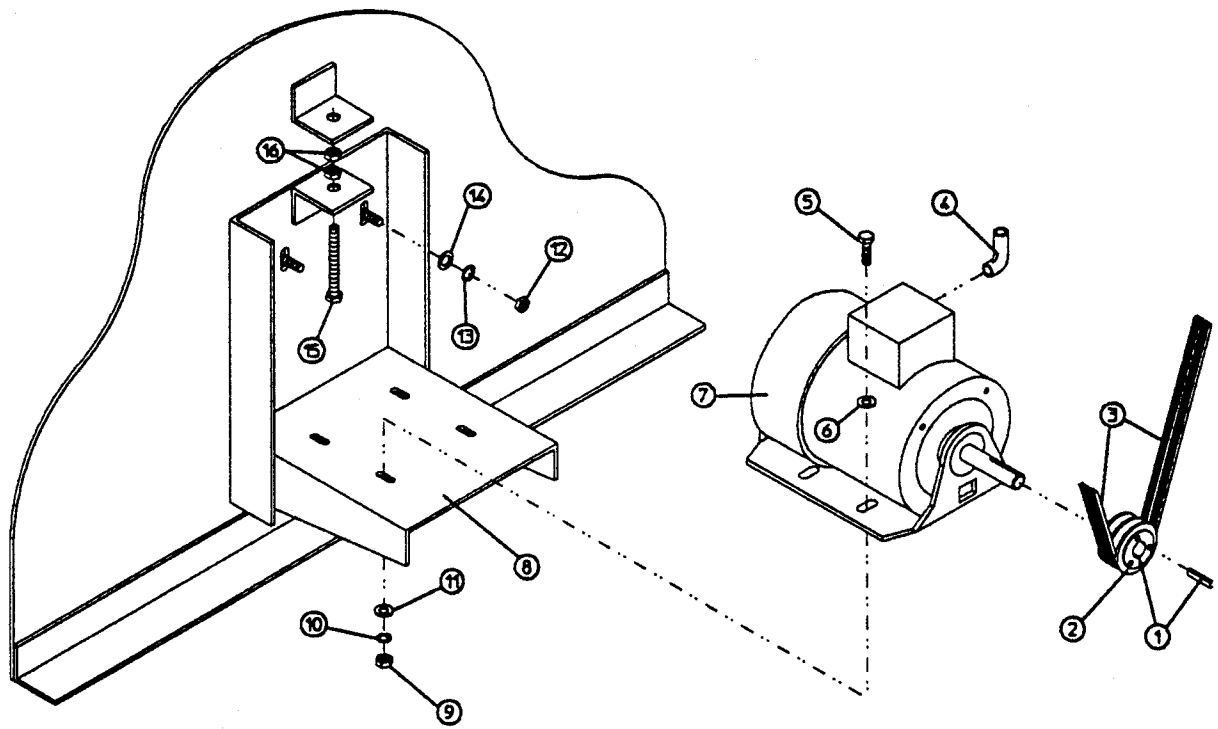
Illus. No.	Part No.	Qty.	Description
1	101108	1	2-1/4" SK Bushing
2*	100104	2	A68 "V" Belt
3	101111	1	AD-100 18" Basket Pulley
4	150602	4	5/8-11 x 3" Hex Head Machine Bolt
5	153016	4	5/8" Flat Washer
6	100204	1	2-1/4" Pillow Block Bearing
7	153016	4	5/8" Flat Washer
8	153015	4	5/8" Lock Washer
9	152010	4	5/8-11 Hex Nut
10	150600	2	3/8-16 x 1-1/2" Hex Head Machine Bolt
11	152005	2	3/8-16 Hex Nut
12	801102	1	AD-100 Tumbler Bearing Mount Assembly (includes illus. nos. 4 through 13)
13	100204	1	2-1/4" Pillow Block Bearing
14	150603	2	1/2-13 x 3" Square Head Machine Bolt
15	152011	2	1/2-13 Hex Nut
16	152005	2	3/8-16 Hex Nut
17	153005	2	3/8" Lock Washer
18	153004	4	3/8" Flat Washer
19	150600	2	3/8-16 x 1-1/2" Hex Head Machine Bolt
20	153004	2	3/8" Flat Washer
21	100801	2	5/8" Retaining Ring
22	301810	1	AD-100 (5/8") Hinge Pin

* Replace in match sets (both belts).



Illus. No.	Part No.	Qty.	Description
1	101110	1	1" Bushing
2	101113	1	2A3.0 Pulley
3*	100104	2	A68 "V" Belt
4	101107	1	1" SK Bushing
5*	100102	2	3V740 "V" Belt
6	101112	1	AD-100 19" Idler Pulley
7	100715	1	1/4" x 1/4" x 4-5/8" Key
8	301852	1	AD-100 (1") Idler Shaft Only
9	100205	1	1" Pillow Block Bearing
10	153004	4	3/8" Flat Washer
11	150600	4	3/8-16 x 1-1/2" Hex Head Machine Bolt
12	150512	6	1/4-20 x 1/2" Hex Head Machine Bolt
13	150509	2	5/16-18 x 3" Hex Head Machine Bolt
14	153001	6	5/16" Flat Washer
15	152004	6	5/16-18 Hex Nut
16	153002	4	5/16" Lock Washer
17	801001	1	AD-100 Idler Bearing Mount Assembly Complete (includes illus. nos. 7 through 11 and 17 through 25)
	311401	1	AD-100 Idler Bearing Mount Only
18	100800	2	1" Retaining Ring
19	100205	1	1" Pillow Block Bearing
20	153004	4	3/8" Flat Washer
21	153005	4	3/8" Lock Washer
22	152005	4	3/8-16 Hex Nut
23	103005	1	AD-100 Idler Adjustment Hinge Only
24	153007	6	1/4" Lock Washer
25	152002	6	1/4-20 Hex Nut

* Replace in matched sets (both belts).



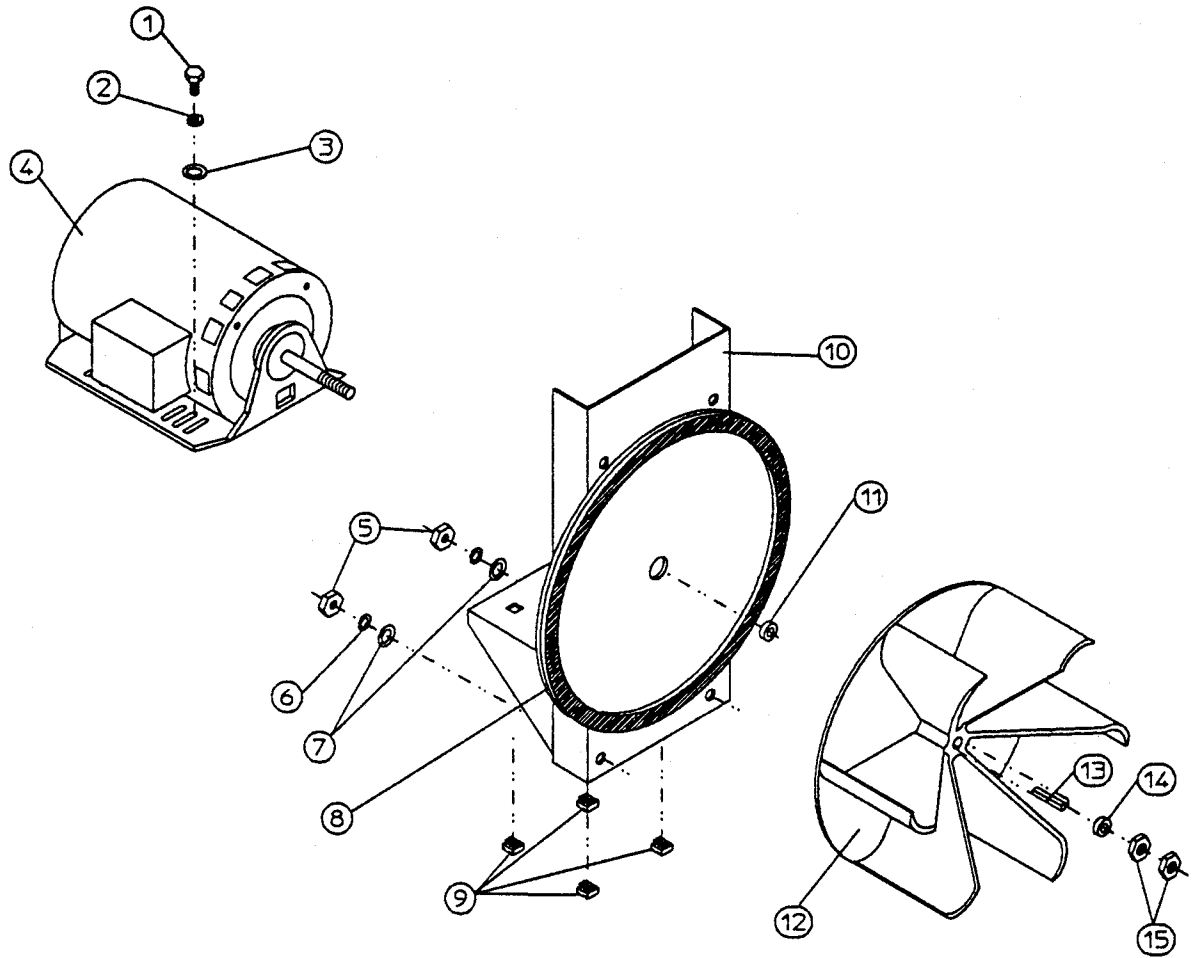
HAN0329

Illus. No.	Part No.	Qty.	Description
1	101121	1	5/8" SK Bushing
2	101114	1	2.65" Pulley (60Hz Only)
	101120	1	3.15" Pulley (50Hz Only)
3*	100102	2	3V740 "V" Belt
4	120200	1	3/8" x 90° Connector
5	150501	4	5/16-18 x 3/4" Hex Head Machine Bolt
6	153001	4	5/16" Flat Washer
7	100029	1	3/4 HP 208/230/380/460v 50/60Hz 3ø T.E.F.C. Motor (56Z frame)
8	800952	1	AD-100 Basket Motor Mount Only (56Z frame)
	800953**	1	AD-100 (60Hz) T.E.F.C. Basket Motor Mount Assembly Complete (includes illus. nos. 1, 2, and 4 through 11)
	800955**	1	AD-100 (50Hz) T.E.F.C. Basket Motor Mount Assembly Complete (includes illus. nos. 1, 2, and 4 through 11)
9	152004	4	5/16-18 Hex Nut
10	153002	4	5/16" Lock Washer
11	153001	4	5/16" Flat Washer
12	152004	4	5/16-18 Hex Nut
13	153002	4	5/16" Lock Washer
14	153001	4	5/16" Flat Washer
15	150619	1	3/18-16 x 3" Hex Head Machine Bolt
16	152005	2	3/8-16 Hex Nut

IMPORTANT: For voltages higher than 460v, contact the factory for correct part number of motor or motor mount assembly.

* Replace in matched sets (both belts).

** Specify voltage when ordering.



MAN0193

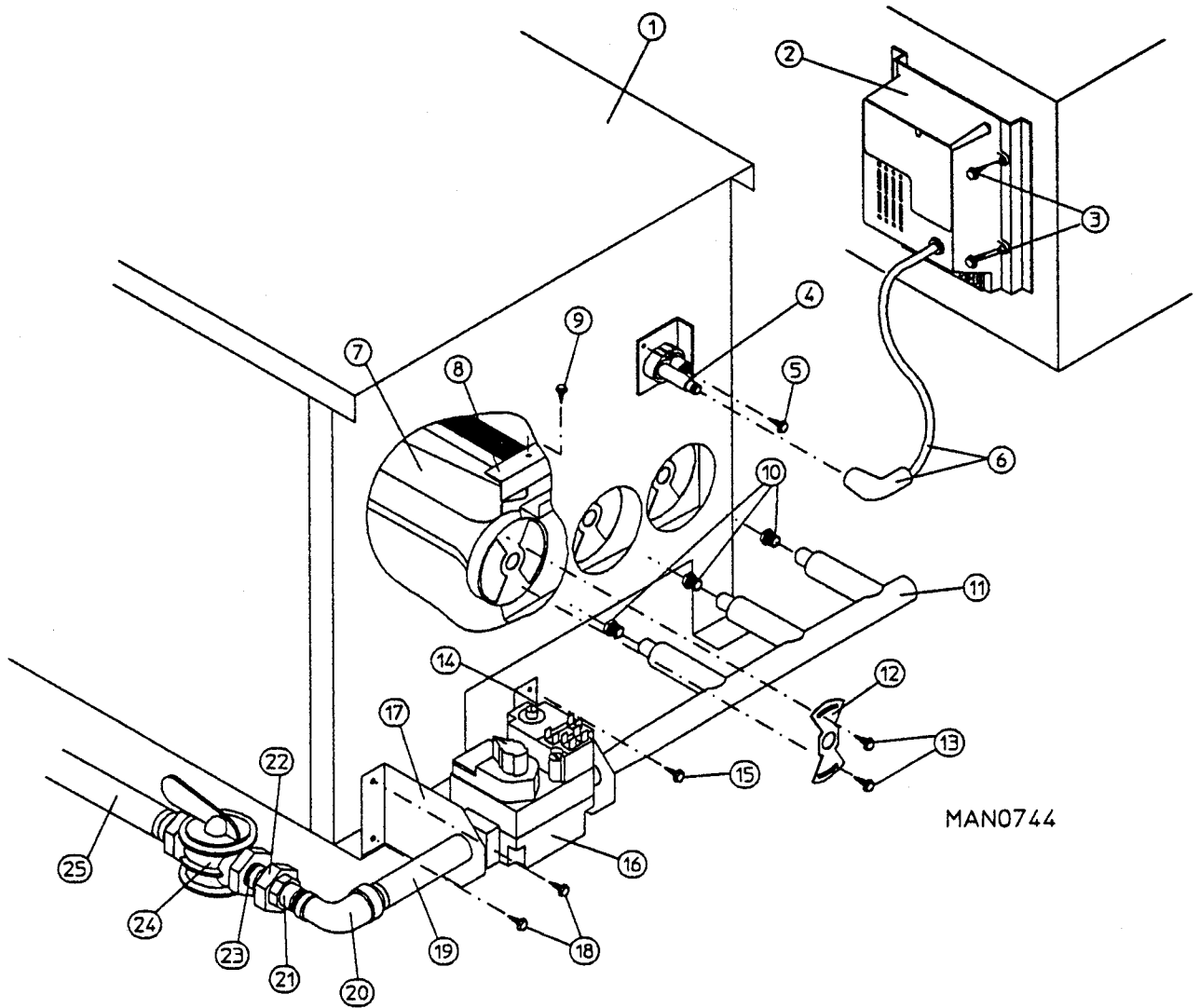
Illus. No.	Part No.	Qty.	Description
1	150501	4	5/16-18 x 3/4" Hex Head Machine Bolt
2	153002	4	5/16" Lock Washer
3	153001	4	5/16" Flat Washer
4	100030*	1	1HP 208/230/380/460v 50/60Hz 3 ϕ Motor with <u>3/4" Shaft</u> (56Z frame) (for all models except super steam)
	100028*	1	1HP 208/230/380/460v 50/60Hz 3 ϕ Motor with <u>1/2" Shaft</u> (56Z frame) (for all models except super steam)
	100023	1	3HP 208/230/460v 50/60Hz 3 ϕ Motor (56Z frame) (for super steam models only)
5	152004	4	5/16-18 Hex Nut
6	153002	4	5/16" Lock Washer
7	153001	4	5/16" Flat Washer
8	117600	4	Noise Suppressor Tape (sold in feet)
9	154000	4	5/16-18 Tinnerman Nut
10	800907	1	1HP Blower Motor Mount Only (56Z frame) (for all models except super steam)
	800913	1	3HP Blower Motor Mount Only (56Z frame) (for super steam models only)
	803899*	1	1HP Blower Motor Mount Assembly Complete (includes illus. nos. 1 through 4 and 8 through 15) (for all models except super steam)
	803892**	1	3HP Blower Motor Mount Assembly Complete (includes illus. nos. 1 through 4, 8 through 12, 14, and 15) (for super steam models only)
11	153055	1	5/8" Motor Washer
12	100603	1	16" Impellor with <u>3/4" Bore</u> (for models with <u>P/N 100030</u> motor ONLY)
	100607	1	16" Impellor with <u>1/2" Bore</u> (for models with <u>P/N 100028</u> motor ONLY)
	100605	1	13" Magnesium Impellor (for models with <u>P/N 100023</u> motor ONLY)
13	100702	1	1/8" x 1/8" x 1-1/2" Key (for models with <u>P/N 100028</u> motor ONLY)
14	153050	***	1/2" S.A.E. Flat Washer
15	152006	2	1/2-20 Left-Hand Jam Nut

IMPORTANT: For voltages higher than 460v, contact the factory for correct part number of motor or motor mount assembly.

* Check part number on motor data label to verify correct motor.

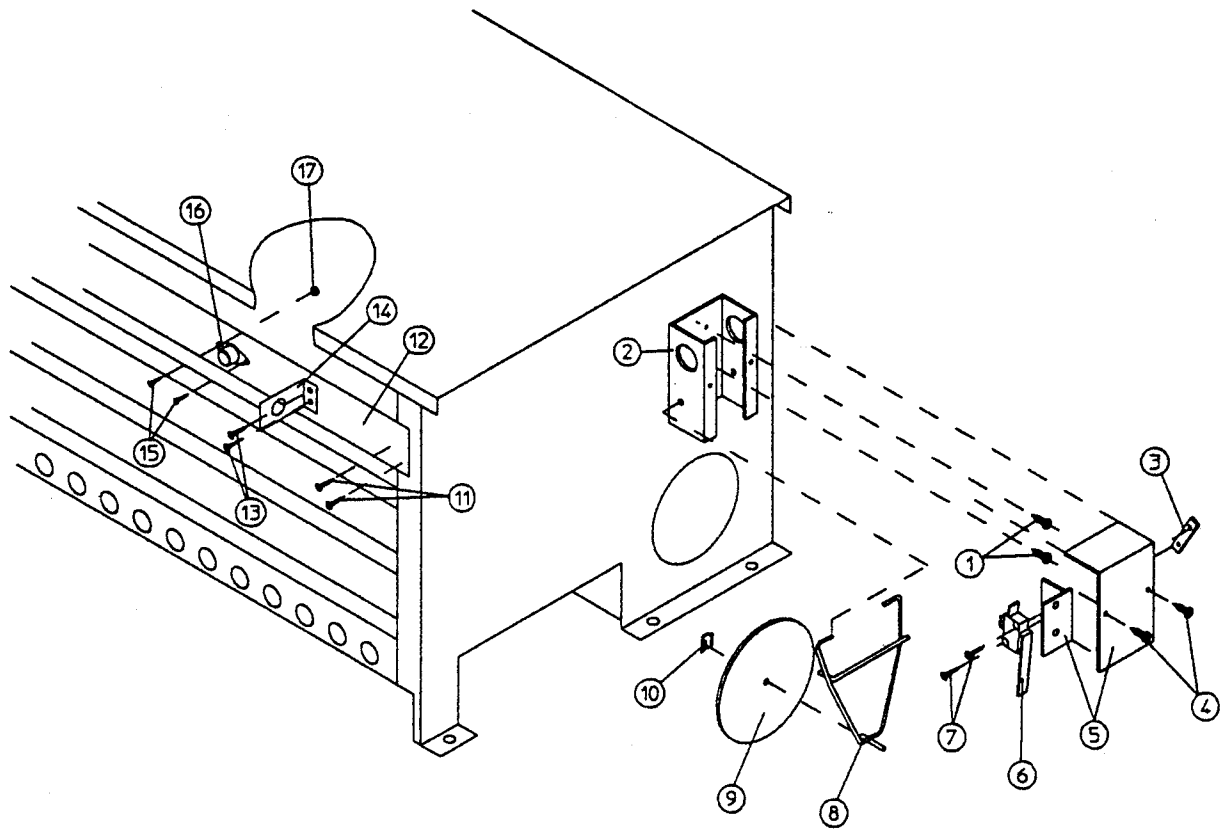
** Specify voltage when ordering.

*** As required.



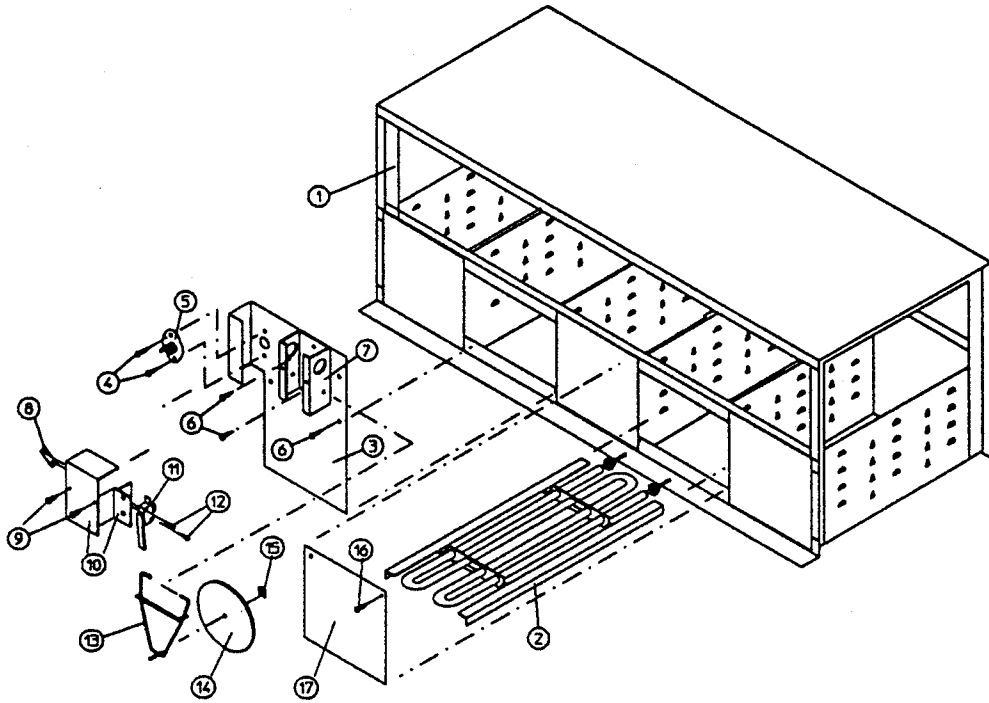
Illus. No.	Part No.	Qty.	Description
1	850853	1	ADG-100 Non-Heat Reclaimer Burner Box Only
	850864	1	ADG-100 Heat Reclaimer Burner Box Only
	————	1	Burner Assembly less Orifices (see DSI Burner Assembly Listing on page 51)
2	128926	1	DSI Module Only 50/60Hz
3	150299	4	#10 x 1" Hex Washer Tek Screw
4	880134	1	DSI Ignitor/Flame -Probe Assembly Kit (includes high voltage [HV] wire and connector)
	305410	1	DSI Ignitor Gap Feeler Gauge ... Not Illustrated
5	150415	2	#10-16 x 1/2" Phillips Round Head Crimptite Screw
6	880330	1	DSI Ignitor HV Wire/Connector Only
7	141107	3	ADG-100 Ribbon Burner Only
	141175	*	ADG-100 Replacement Ribbon (for burner) Only
8	318318	2	ADG-100 Ribbon Burner Brace Only
9	150415	6	#10-16 x 1/2" Phillips Round Head Crimptite Screw
10	————	3	Burner Orifice (see DSI Burner Orifice Listing on page 51)
11	141208	1	3-Port Manifold Only
12	318316	3	ADG-100 Primary Air Baffle (<u>natural gas</u>) Only
	318321	3	ADG-100 Primary Air Baffle (<u>liquid propane gas</u>) Only
13	150415	6	#10-16 x 1/2" Round Head Crimptite Screw
14	318317	1	ADG-100 Pipe Bracket
15	150415	2	#10-16 x 1/2" Round Head Crimptite Screw
16	128928	1	ADG-100 1/2" 24VAC Redundant (<u>natural gas</u>) Gas Valve
	140411	1	1/2" 24VAC Gas Valve L.P. (<u>liquid propane</u>) Conversion Kit
17	318317	1	ADG-100 Pipe Bracket
18	150415	2	#10-16 x 1/2" Phillips Round Head Crimptite Screw
19	142703	1	1/2" x 4" Nipple
20	142511	1	3/4" to 1/2" Reducing Bushing
21	142701	1	3/4" Close Nipple
22	142601	1	3/4" Union
23	142701	1	3/4" Close Nipple
24	141300	1	3/4" Union Shutoff Only
25	142821	1	3/4" x 36" Pipe
—	————	1	Conversion Kit (see DSI L.P. Conversion Kit Listing on page 51)

* As required.

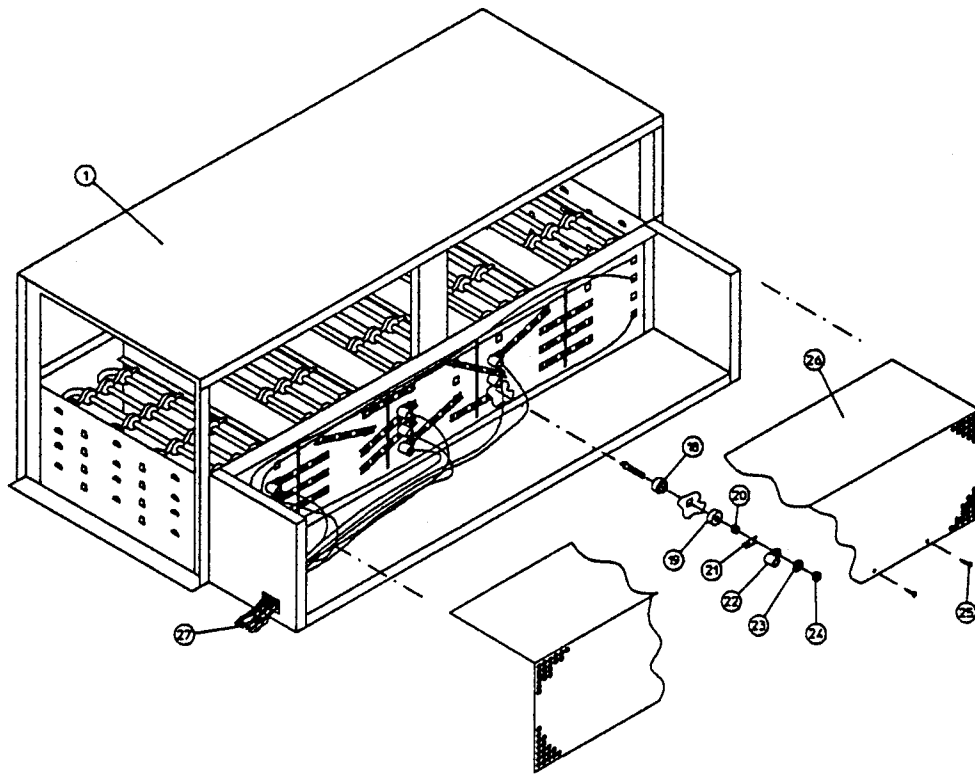


HAN0612

Illus. No.	Part No.	Qty.	Description
1	150300	2	#10 x 1/2" Hex Washer Tek Screw
2	802800	1	Sail Switch Box with Cover and Bracket Only
	802801	1	Sail Switch Assembly Complete (includes illus. nos. 2 through 10)
3	154004	1	Twin Speed Nut
4	150415	2	#10-16 x 1/2" Phillips Round Head Crimptite Screw
5	802799	1	Sail Switch Box Cover and Bracket Only
6	122200	1	Sail Switch Only
7	150303	2	#4 x 3/4" Pan Head "A" Machine Screw
8	105500	1	Sail Switch Actuator Rod
9	319202	1	Sail Switch Damper (flat)
10	154002	1	1/8" Push-on Fastener
11	150300	4	#10 x 1/2" Hex Washer Tek Screw
12	319702	1	AD-100 Hi-Limit Support Bracket Only
13	150300	2	#10 x 1/2" Hex Washer Tek Screw
14	319703	1	AD-100 Hi-Limit Conduit Support Bracket Only
15	150001	2	#6-32 x 1/2" Round Head Machine Screw
16	130401	1	330° Hi-Limit Only
17	151000	2	#6-32 Pal Nut



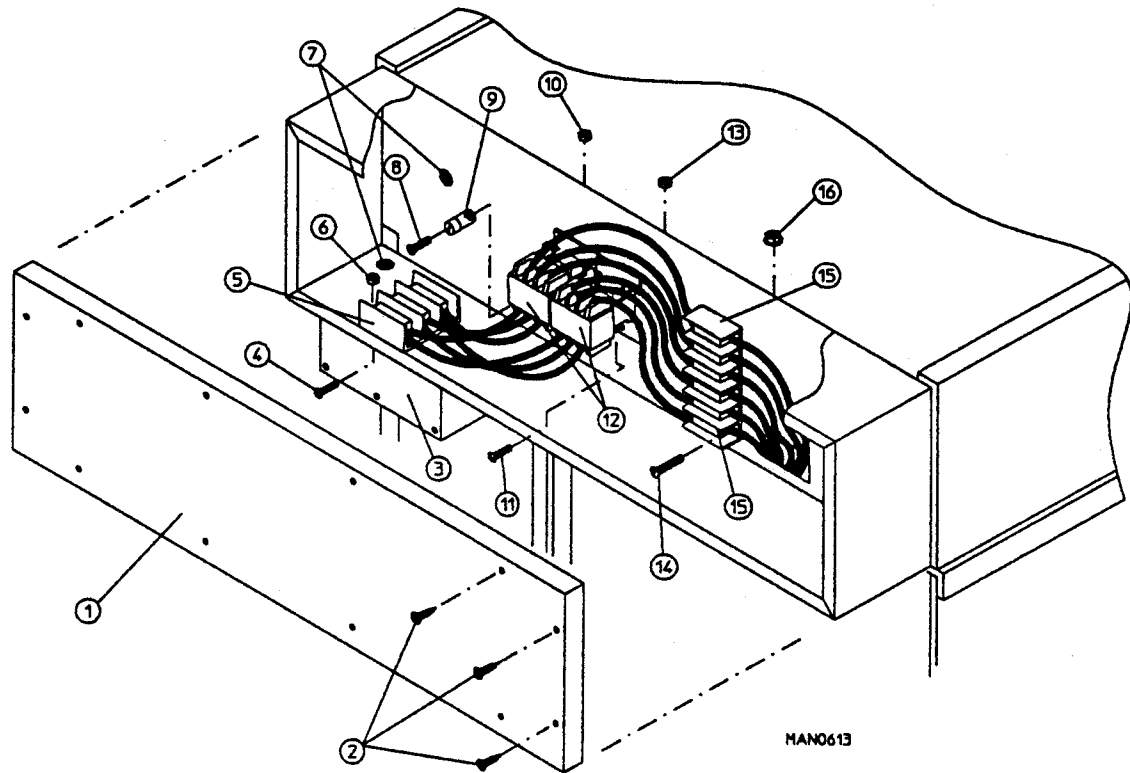
MAN0611



Illus. No.	Part No.	Qty.	Description
1	803002	1	ADE-100 Electric Oven Box Only
	————*	1	Electric Oven Assembly Complete
2	————*	18	Electric Element
3	802802	1	ADE-100 Safety Control Bracket Only
4	150301	2	#8-18 x 7/16" Phillips Pan Head Tek Screw
5	130400	1	290° Hi-Limit Only
6	150300	4	#10 x 1/2" Hex Washer Tek Screw
7	802800	1	Sail Switch Box with Cover and Bracket Only
	802801	1	Sail Switch Box Assembly Complete (includes illus. nos. 7 through 15)
8	154004	1	Twin Speed Nut
9	150415	2	#10-16 x 1/2" Phillips Round Head Crimptite Screw
10	802799	1	Sail Switch Box Cover and Bracket Only
11	122200	1	Sail Switch Only
12	150303	2	#4 x 3/4" Pan Head "A" Machine Screw
13	105500	1	Sail Switch Actuator Rod
14	319202	1	Sail Switch Damper (flat)
15	154002	1	1/8" Push-on Fastener
16	150300	8	#10 x 1/2" Hex Washer Tek Screw
17	803101	4	ADE-100 Element Cover Only
18	120081	36	Internal Ceramic Insulator
19	120080	36	External Ceramic Insulator
20	152008	36	#10-32 Hex Nut
21	121011*	—	Bus Bar
22	121010*	—	Terminal Lug
23	153009	36	#10 Star Washer
24	152008	36	#10-32 Hex Nut
25	150300	14	#10 1/2" Hex Washer Tek Screw
26	321403	1	ADE-100 Cover Only
27	————*	—	Oven Wire (sold in feet)

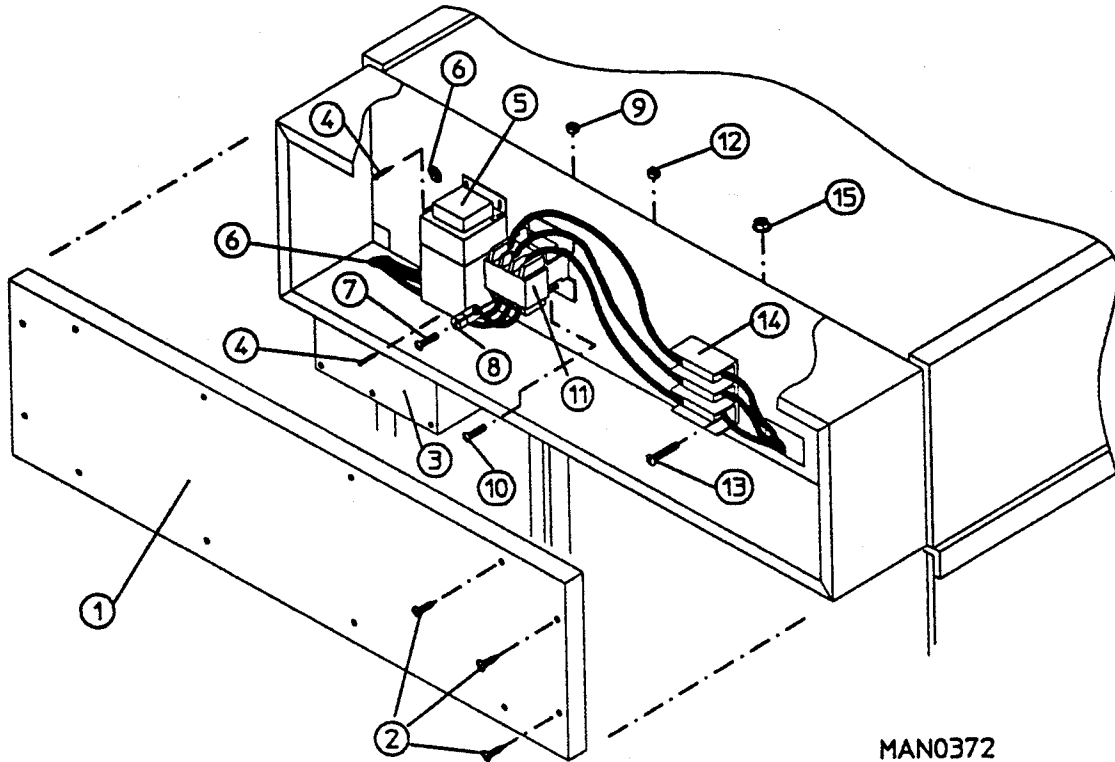
* Refer to ADE-100 Electric Oven Component Application Chart on page 52.

208/240v-60Kw-50/60Hz-3ø



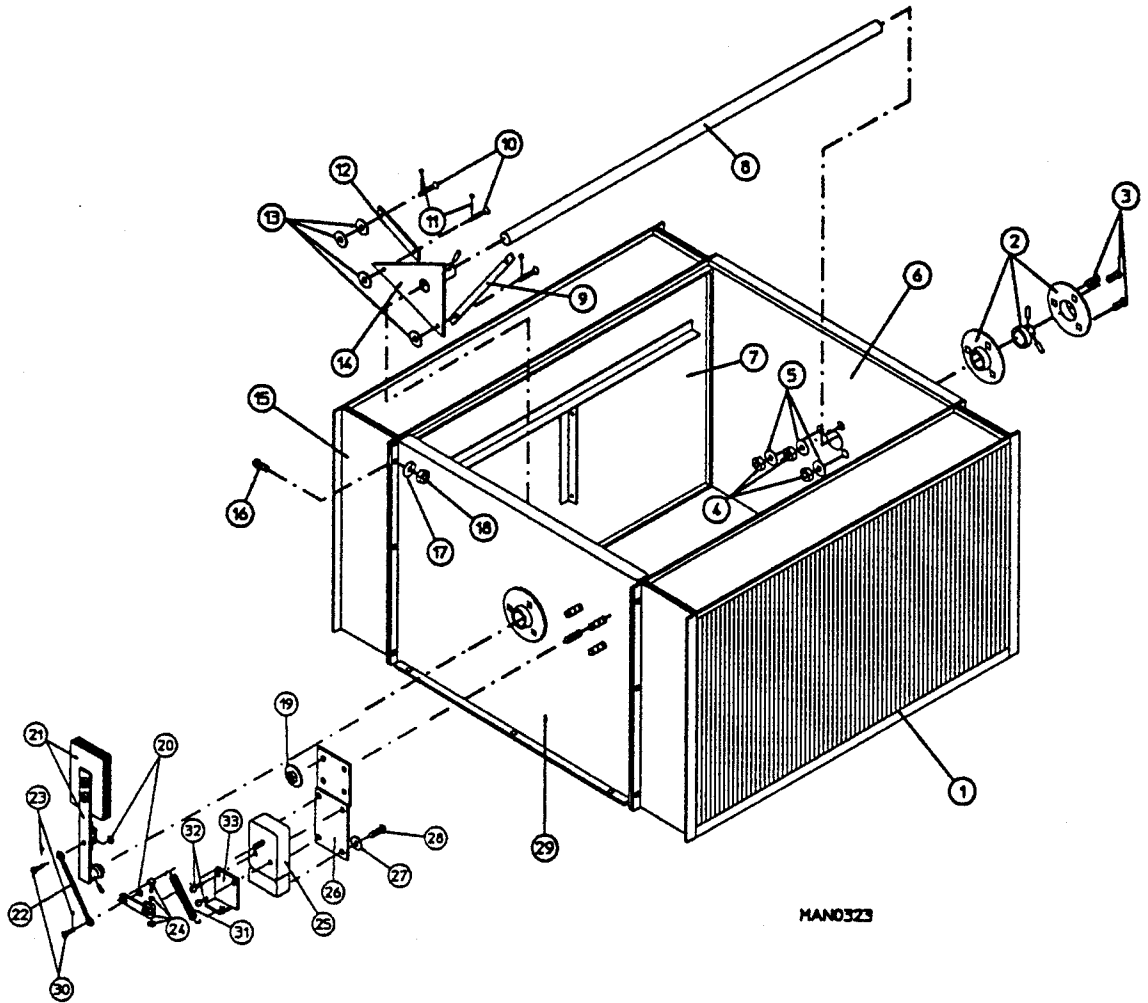
Illus. No.	Part No.	Qty.	Description
1	320902	1	ADE-100 Electric Oven Relay Box Cover
2	150301	12	#8-18 x 7/16" Phillips Pan Head Tek Screw
3	322808	1	Control Box Cover Plate Only
4	150108	2	#8-32 x 1/2" Pan Head Machine Screw
5	120710	1	Power Distribution Block
6	151001	2	#8-32 Pal Nut
7	121400	2	Universal Bushing
8	150108	1	#8-32 x 1/2" Pan Head Machine Screw
9	121010	1	L-70 Ground Lug
10	151001	1	#8-32 Pal Nut
11	150108	3	#8-32 x 1/2" Pan Head Machine Screw
12	131309	2	TPST 93-Amp, 220v Relay
13	151001	3	#8-32 Pal Nut
14	150521	4	1/4-20 x 2" Carriage Bolt
15	120706	2	Power Distribution Block
16	152014	4	1/4-20 Free Spin Wash Nut

416/480v-60Kw-50/60Hz-3ø



Illus. No.	Part No.	Qty.	Description
1	320902	1	ADE-100 Electric Oven Relay Box Cover
2	150301	12	#8-18 x 7/16" Phillips Pan Head Tek Screw
3	322808	1	Control Box Cover Plate Only
4	150300	3	#10 x 1/2" Hex Washer Tek Screw
5	—	1	Transformer (see AD-100 Transformer Usage Listing on page 53)
6	121400	2	Universal Bushing
7	150108	1	#8-32 x 1/2" Pan Head Machine Screw
8	121010	1	L-70 Terminal Lug
9	151001	1	#8-32 Pal Nut
10	150108	1	#8-32 x 1/2" Pan Head Machine Screw
11	131309	1	TSPT 93-Amp, 220v Relay
12	151001	1	#8-32 Pal Nut
13	150521	2	1/4-20 x 2" Carriage Bolt
14	120706	1	Power Distribution Block
15	152014	2	1/4-20 Free Spin Wash Nut

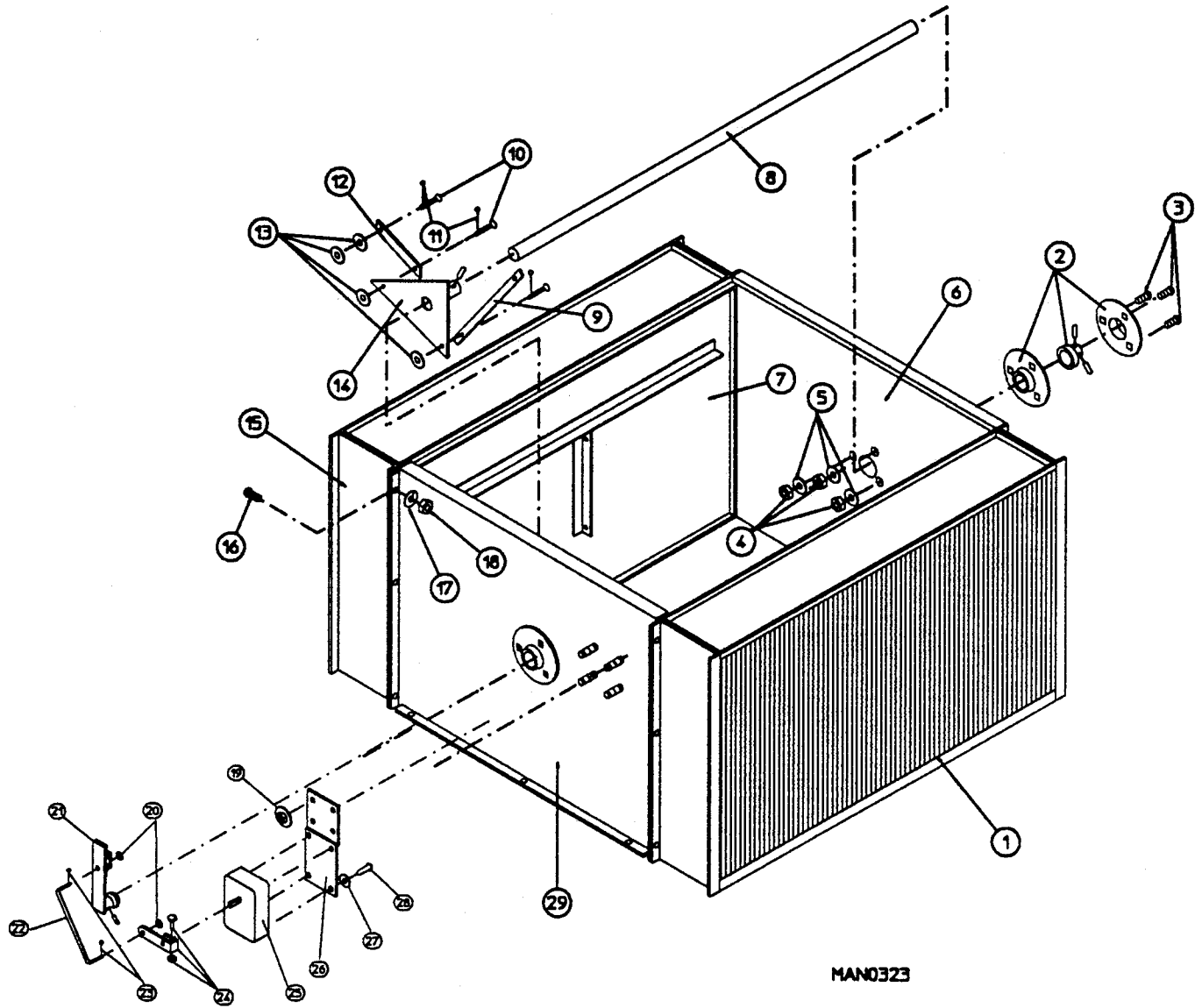
For Models Mfd. as of December 22, 1989



For Models Mfd. as of December 22, 1989

Illus. No.	Part No.	Qty.	Description
1	851426	1	ADS-100 Steam Damper Assembly Complete 208v (includes illus. nos. 1 through 29)
	851427	1	ADS-100 Steam Damper Assembly Complete 240v (includes illus. nos. 1 through 29)
2	100214	2	5/8" Flange Bearing
3	150521	6	1/4-20 x 2" Carriage Bolt
4	152002	6	1/4-20 Hex Nut
5	153007	6	1/4" Lock Washer
6	323561	1	Steam Damper Rear Wall End Plenum
7	851420	1	Left Damper Assembly
	851421	1	Right Damper Assembly
8	323553	1	Steam Damper Center Bar
9	323551	1	Steam Damper Large Linkage Arm
10	154299	4	1/4" Clevis Pin
11	154298	4	1/16" x 1/2" Cotter Pin
12	323552	1	Steam Damper Small Linkage Arm
13	153018	6	1/4" Flat Washer
14	851423	1	Steam Damper Linkage Support Assembly
15	165004	2	ADS-100 High Pressure Steam Coil (for all models except low pressure steam)
	165006	2	ADS-100 Low Pressure Steam Coil (for low pressure steam models only)
16	150512	12	1/4-20 x 1/2" Hex Head Machine Bolt
17	153007	12	1/4" Lock Washer
18	152002	12	1/4-20 Hex Nut
19	152014	4	1/4-20 Free Spin Wash Nut
20	153018	2	1/4" Flat Washer
21	851424	1	Steam Damper Activating Bracket Assembly with Counterbalance
22	104060	1	Steam Damper Cable Link
23	154298	2	1/16" x 1/2" Cotter Pin
24	104049	1	Steam Damper Actuator (motor) Lever Arm
25	104050	1	Steam Damper Actuator (motor) 208v
	104051	1	Steam Damper Actuator (motor) 240v
26	323550	1	Steam Damper Actuator (motor) Mounting Bracket
27	153000	4	#8 Steel Burr
28	150100	4	#8-32 x 1/2" Round Head Machine Screw
29	851425	1	Steam Damper Front End Wall Plenum
30	154299	2	1/4" Clevis Pin
31	157000	1	Spring
32	150110	2	#8-32 x 1/4" Screw
33	328327	1	Spring Support Bracket

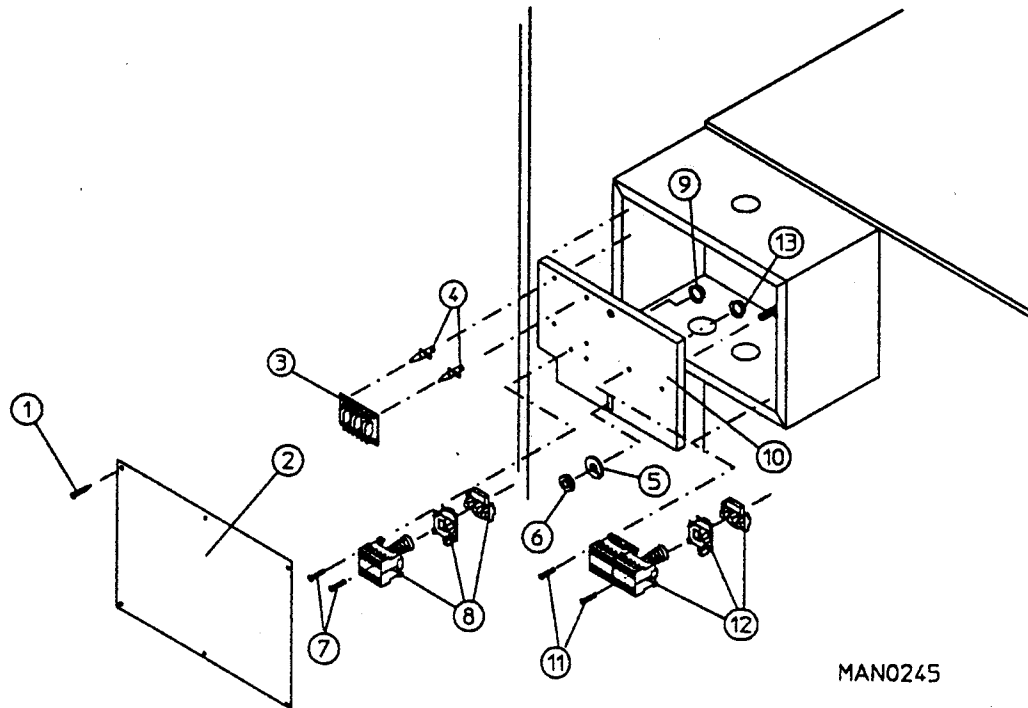
For Models Mfd. Prior to December 22, 1989



For Models Mfd. Prior to December 22, 1989

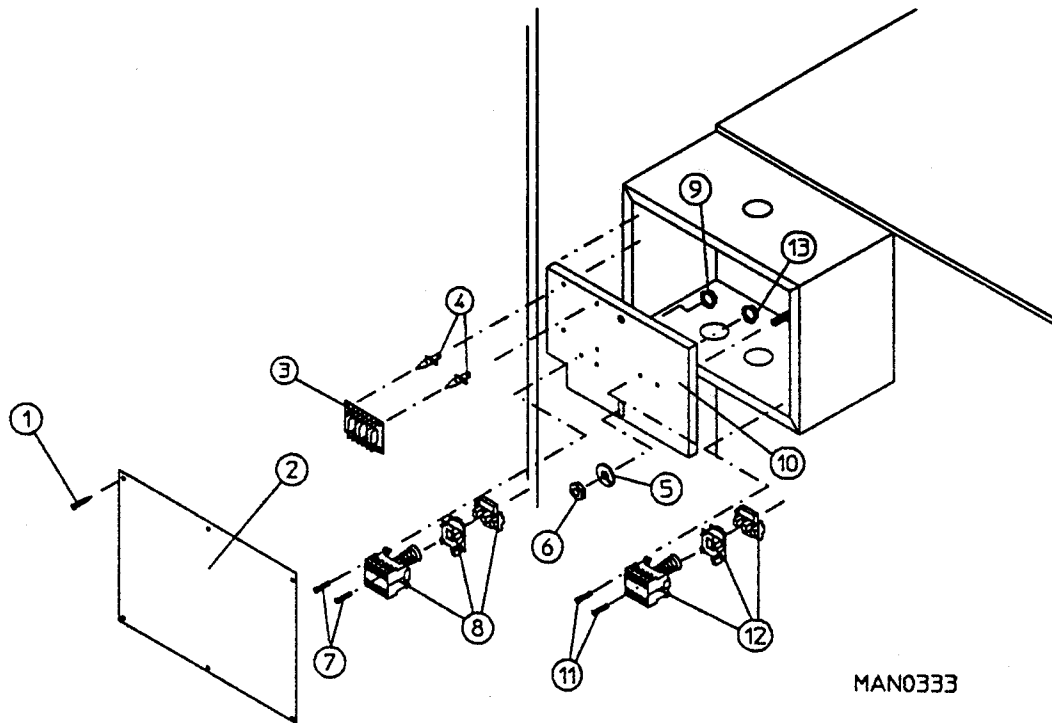
Illus. No.	Part No.	Qty	Description
1	851426	1	ADS-100 Steam Damper Assembly Complete 208v (includes illus. nos. 1 through 29)
	851427	1	ADS-100 Steam Damper Assembly Complete 240v (includes illus. nos. 1 through 29)
2	100214	2	5/8" Flange Bearing
3	150521	6	1/4-20 x 2" Carriage Bolt
4	152002	6	1/4-20 Hex Nut
5	153007	6	1/4" Lock Washer
6	323561	1	Steam Damper Rear End Wall Plenum
7	851420	1	Left Damper Assembly
	851421	1	Right Damper Assembly
8	323553	1	Steam Damper Center Bar
9	323551	1	Steam Damper Large Linkage Arm
10	154299	4	1/4" Clevis Pin
11	154298	4	1/16" x 1/2" Cotter Pin
12	323552	1	Steam Damper Small Linkage Arm
13	153018	6	1/4" Flat Washer
14	851423	1	Steam Damper Linkage Support Assembly
15	165004	2	ADS-100 High Pressure Steam Coil (for all models except low pressure steam)
	165006	2	ADS-100 Low Pressure Steam Coil (for low pressure steam models only)
16	150512	12	1/4-20 x 1/2" Hex Head Machine Bolt
17	153007	12	1/4" Lock Washer
18	152002	12	1/4-20 Hex Nut
19	152014	4	1/4-20 Free Spin Wash Nut
20	153018	2	1/4" Flat Washer
21	851424	1	Steam Damper Activating Bracket Assembly with Counterbalance
22	104052	1	Steam Damper Activating Rod
23	154298	2	1/16" x 1/2" Cotter Pin
24	104049	1	Steam Damper Actuator (motor) Lever Arm
25	104050	1	Steam Damper Actuator (motor) 208v
	104051	1	Steam Damper Actuator (motor) 240v
26	323550	1	Steam Damper Actuator (motor) Mounting Bracket
27	153000	4	#8 Steel Burr
28	150100	4	#8-32 x 1/2" Round Head Machine Screw
29	851425	1	Steam Damper Front End Wall Plenum

For Models with 24 Volt Controls Only



Illus. No.	Part No.	Qty.	Description
1	150301	6	#8-18 x 7/16" Phillips Pan Head Tek Screw
2	322808	1	Control Box Cover Plate Only
3	137060	1	Arc Suppressor Board (3)
4	137013	4	Nylon Standoff
5	153002	2	5/16" Lock Washer
6	152004	2	5/16-18 Hex Nut
7	150108	2	#8-32 x 1/2" Pan Head Machine Screw
8	132430	1	Impellor Contactor (24 volt)
	132432	1	Contactor Replacement Coil (24 volt)
9	151001	2	#8-32 Pal Nut
10	322807	1	Contactor Mounting Panel Only
11	150108	2	#8-32 x 1/2" Pan Head Machine Screw
12	132431	1	Reversing Contactor (24 volt)
	132432	1	Contactor Replacement Coil (24 volt)
13	151001	2	#8-32 Pal Nut

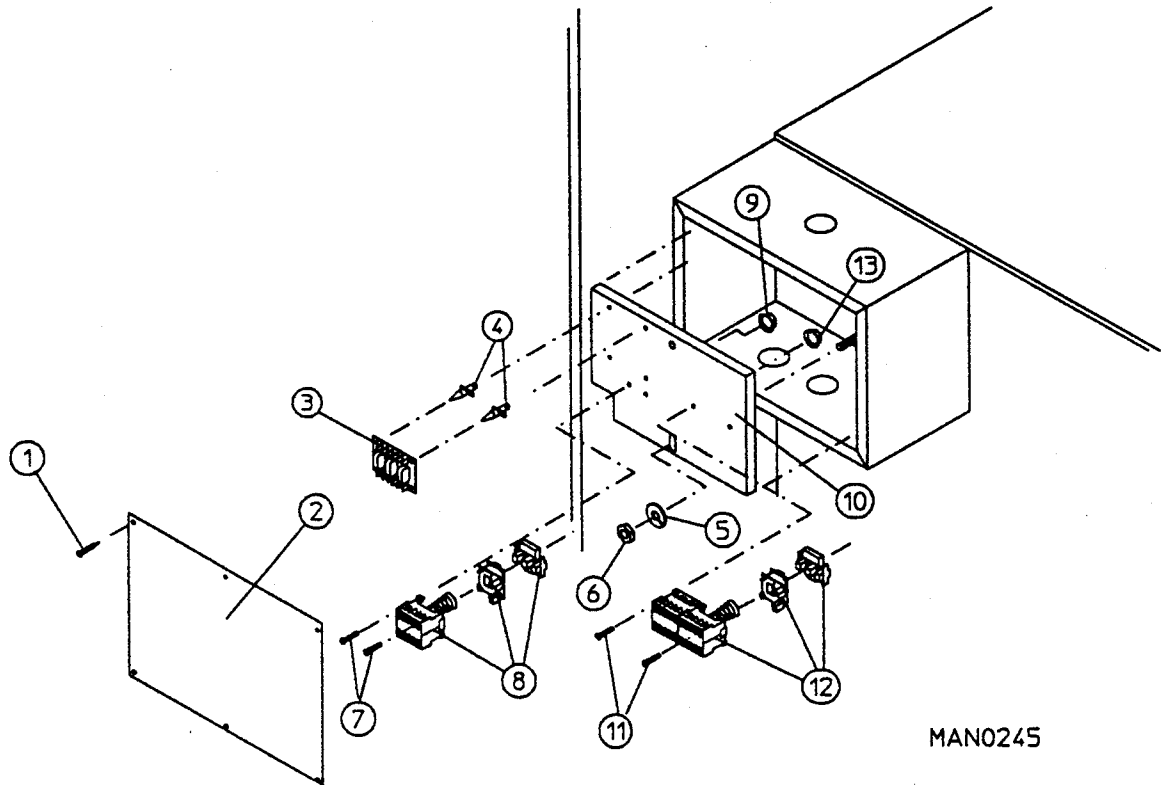
For Models with 24 Volt Controls Only



MAN0333

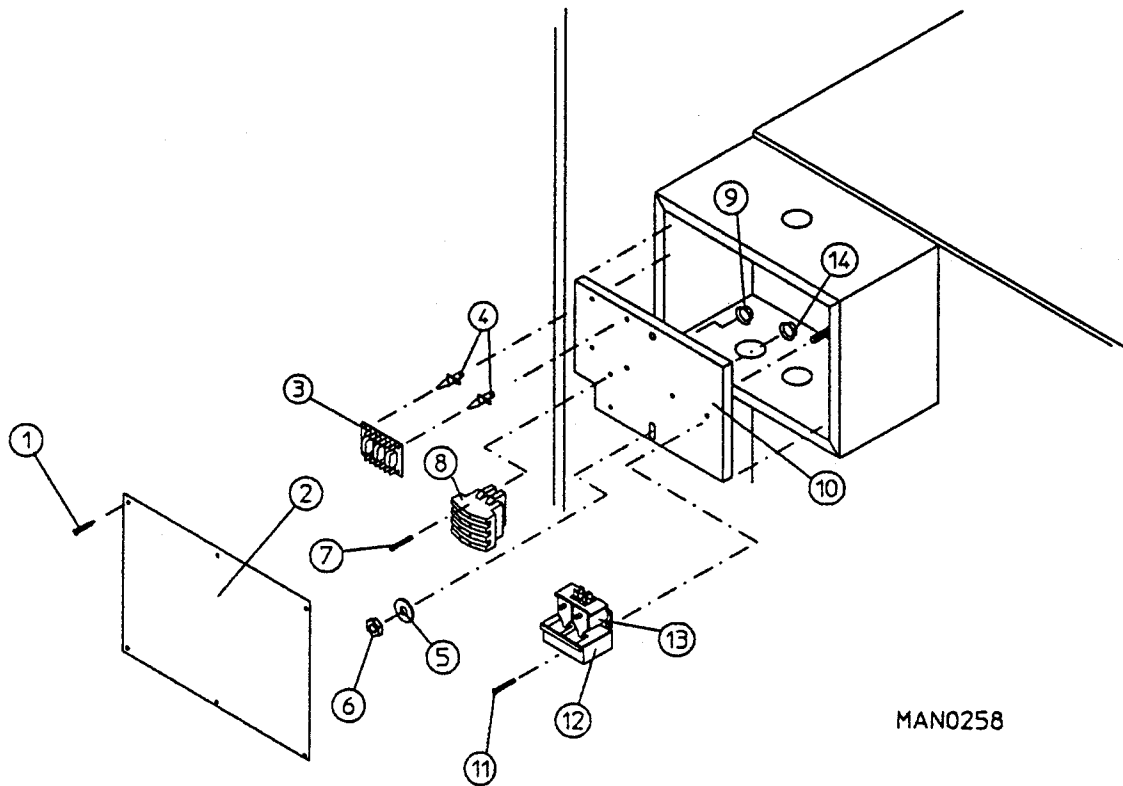
Illus. No.	Part No.	Qty.	Description
1	150301	6	#8-18 x 7/16" Phillips Pan Head Tek Screw
2	322808	1	Control Box Cover Plate Only
3	137060	1	Arc Suppressor Board (3)
4	137013	4	Nylon Standoff
5	153002	2	5/16" Lock Washer
6	152004	2	5/16-18 Hex Nut
7	150108	2	#8-32 x 1/2" Pan Head Machine Screw
8	132430	1	Impellor Contactor (24 volt)
	132432	1	Contactor Replacement Coil (24 volt)
9	151001	2	#8-32 Pal Nut
10	322807	1	Contactor Mounting Panel Only
11	150108	2	#8-32 x 1/2" Pan Head Machine Screw
12	132430	1	Impellor Contactor (24 volt)
	132432	1	Impellor Contactor Replacement Coil (24 volt)
13	151001	2	#8-32 Pal Nut

For Models with 208 or 230 Volt Controls Only with Telemecanique Relays



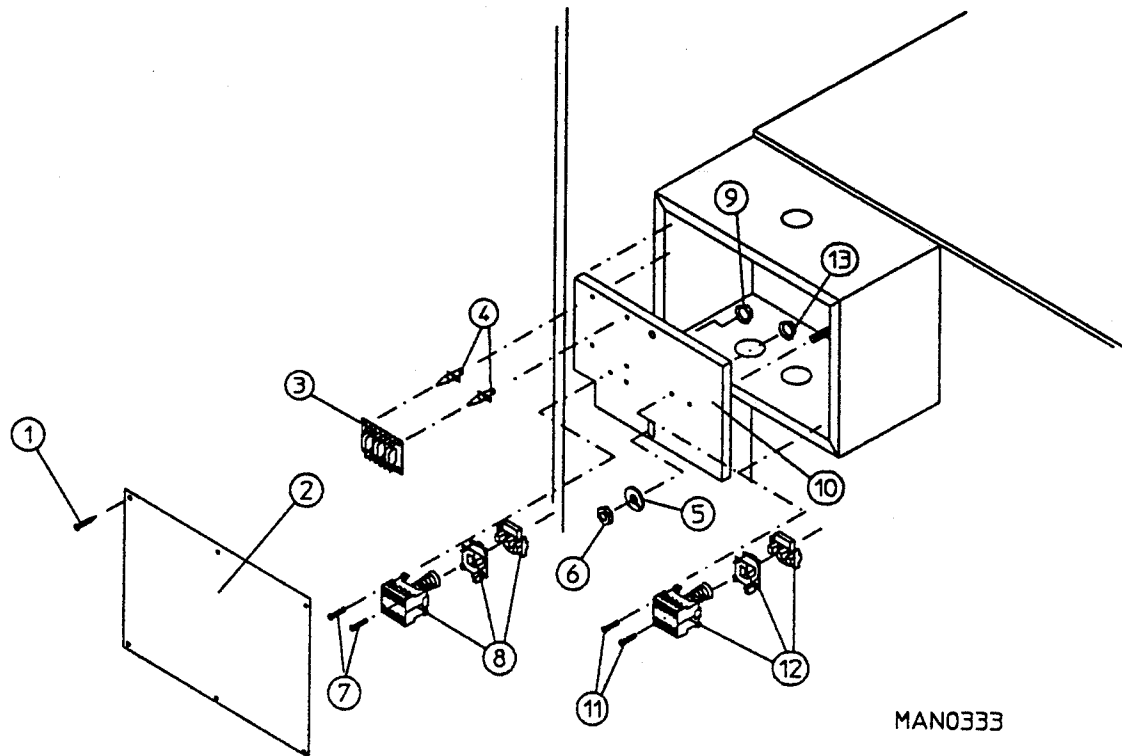
Illus. No.	Part No.	Qty.	Description
1	150301	6	#8-18 x 7/16" Phillips Pan Head Tek Screw
2	322808	1	Control Box Cover Plate Only
3	137060	1	Arc Suppressor Board (3)
4	137013	4	Nylon Standoff
5	153002	2	5/16" Lock Washer
6	152004	2	5/16-18 Hex Nut
7	150108	2	#8-32 x 1/2" Pan Head Machine Screw
8	132425	1	Impellor Contactor (208/230/240v, 50/60Hz)
	132427	1	Contactor Replacement Coil (208/230/240v, 50/60Hz)
9	151001	2	#8-32 Pal Nut
10	322807	1	Contactor Mounting Panel Only
11	150108	2	#8-32 x 1/2" Pan Head Machine Screw
12	132426	1	Reversing Contactor (208/230/240v, 50/60Hz)
	132427	1	Contactor Replacement Coil (208/230/240v, 50/60Hz)
13	151001	2	#8-32 Pal Nut

For Models with 208 or 230 Volt Controls Only with Dunco (Struthers-Dunn) Relays



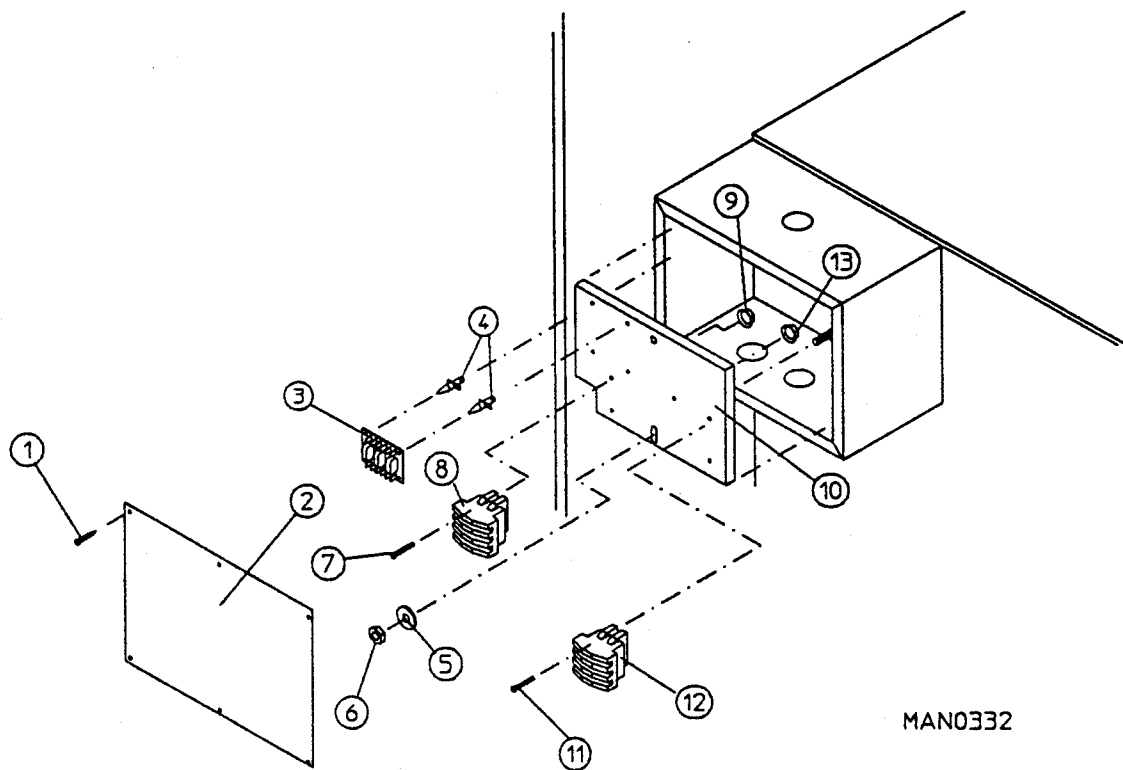
Illus. No.	Part No.	Qty.	Description
1	150301	6	#8-18 x 7/16" Phillips Pan Head Tek Screw
2	322808	1	Control Box Cover Plate Only
3	137060	1	Arc Suppressor Board (3)
4	137013	4	Nylon Standoff
5	153002	2	5/16" Lock Washer
6	152004	2	5/16-18 Hex Nut
7	150108	2	#8-32 x 1/2" Pan Head Machine Screw
8	132400	1	Impellor Contactor
9	151001	2	#8-32 Pal Nut
10	322807	1	Contactor Mounting Panel Only
11	150108	2	#8-32 x 1/2" Pan Head Machine Screw
12	132404	1	Reversing Contactor (208 volt)
	132401	1	Reversing Contactor (220/230 volt)
13	132416	2	Reversing Contactor Replacement Coil (208 volt, 60Hz)
	132415	2	Reversing Contactor Replacement Coil (220/230 volt, 60Hz)
	132407	2	Reversing Contactor Replacement Coil (240 volt, 50Hz)
14	151001	2	#8-32 Pal Nut

For Models with 208 or 230 Volt Controls Only with Telemecanique Relays



Illus. No.	Part No.	Qty.	Description
1	150301	6	#8-18 x 7/16" Phillips Pan Head Tek Screw
2	322808	1	Control Box Cover Plate Only
3	137060	1	Arc Suppressor Board (3)
4	137013	4	Nylon Standoff
5	153002	2	5/16" Lock Washer
6	152004	2	5/16-18 Hex Nut
7	150108	2	#8-32 x 1/2" Pan Head Machine Screw
8	132425	1	Impellor Contactor (208/230/240v, 50/60Hz)
	132427	1	Contactor Replacement Coil (208/230/240v, 50/60Hz)
9	151001	2	#8-32 Pal Nut
10	322807	1	Contactor Mounting Panel Only
11	150108	2	#8-32 x 1/2" Pan Head Machine Screw
12	132425	1	Impellor Contactor (208/230/240v, 50/60Hz)
	132427	1	Contactor Replacement Coil (208/230/240v, 50/60Hz)
13	151001	2	#8-32 Pal Nut

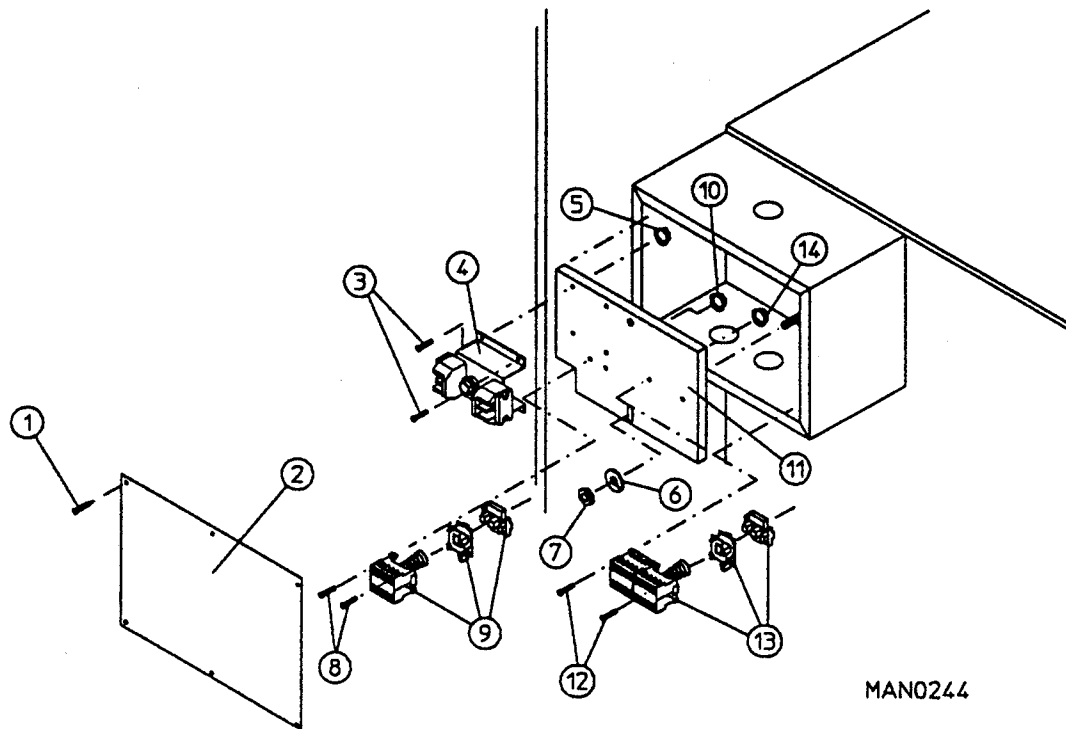
For Models with 208 or 230 Volt Controls Only with Dunco (Struthers-Dunn) Relays



MAN0332

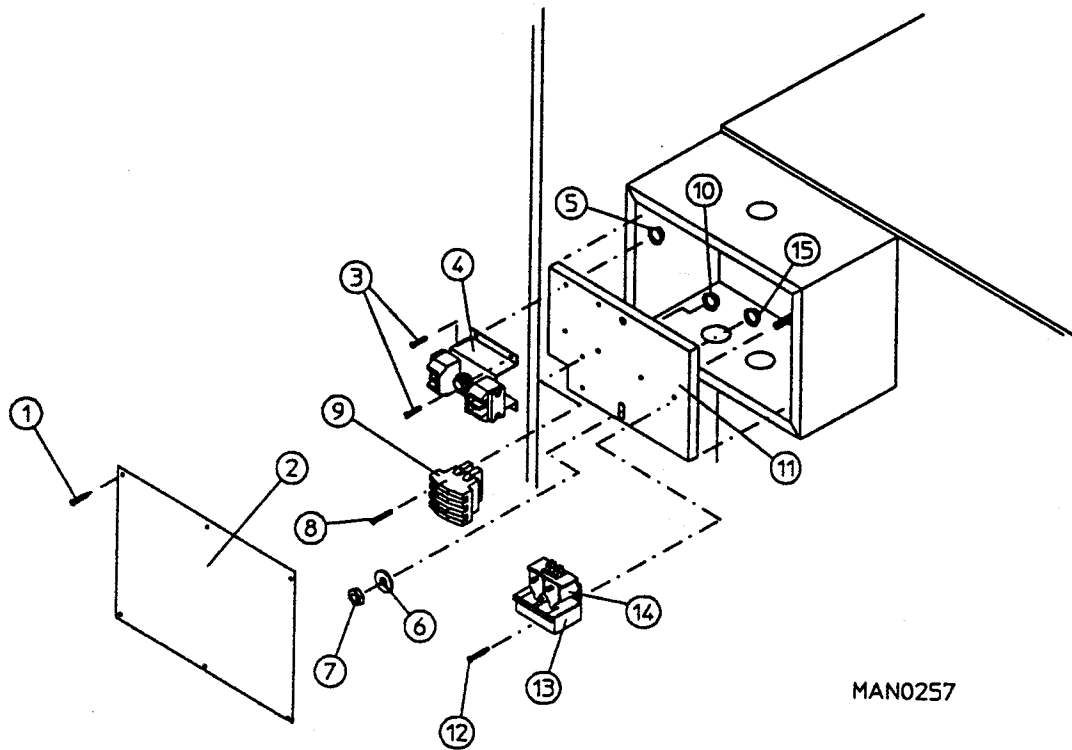
Illus. No.	Part No.	Qty.	Description
1	150301	6	#8-18 x 7/16" Phillips Pan Head Tek Screw
2	322808	1	Control Box Cover Plate Only
3	137060	1	Arc Suppressor Board (3)
4	137013	4	Nylon Standoff
5	153002	2	5/16" Lock Washer
6	152004	2	5/16-18 Hex Nut
7	150108	2	#8-32 x 1/2" Pan Head Machine Screw
8	132400	1	Impellor Contactor (208/230 volt)
9	151001	2	#8-32 Pal Nut
10	322807	1	Contactor Mounting Panel Only
11	150108	2	#8-32 x 1/2" Pan Head Machine Screw
12	132400	1	Impellor Contactor (208/230 volt)
13	151001	2	#8-32 Pal Nut

For Models with 208 or 230 Volt Controls Only with Telemecanique Relays



Illus. No.	Part No.	Qty.	Description
1	150301	6	#8-18 x 7/16" Phillips Pan Head Tek Screw
2	322808	1	Control Box Cover Plate Only
3	150108	2	#8-32 x 1/2" Pan Head Machine Screw
4	132200	1	Reversing Timer 60Hz
	132202	1	Reversing Timer 50Hz
5	151001	2	#8-32 Pal Nut
6	153002	2	5/16" Lock Washer
7	152004	2	5/16-18 Hex Nut
8	150108	2	#8-32 x 1/2" Pan Head Machine Screw
9	132425	1	Impellor Contactor (208/230/240v, 50/60Hz)
	132427	1	Contactor Replacement Coil (208/230/240v, 50/60Hz)
10	151001	2	#8-32 Pal Nut
11	322807	1	Contactor Mounting Panel Only
12	150108	2	#8-32 x 1/2" Pan Head Machine Screw
13	132426	1	Reversing Contactor (208/230/240v, 50/60Hz)
	132427	1	Contactor Replacement Coil (208/230/240v, 50/60Hz)
14	151001	2	#8-32 Pal Nut

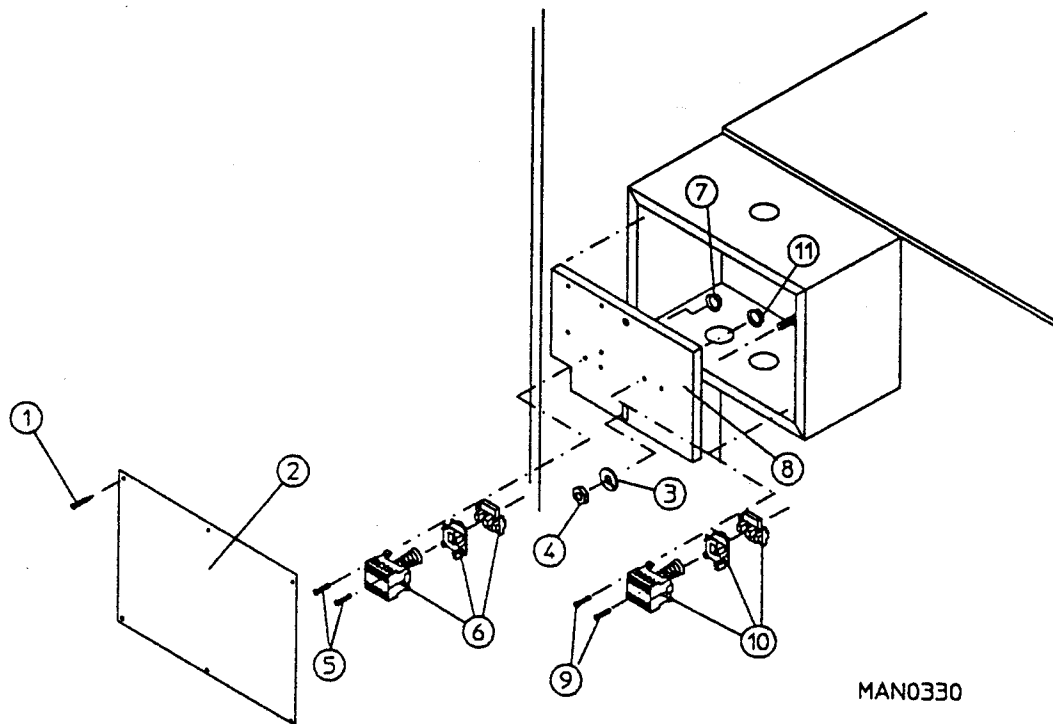
For Models with 208 or 230 Volt Controls Only with Dunco (Struthers-Dunn) Relays



MAN0257

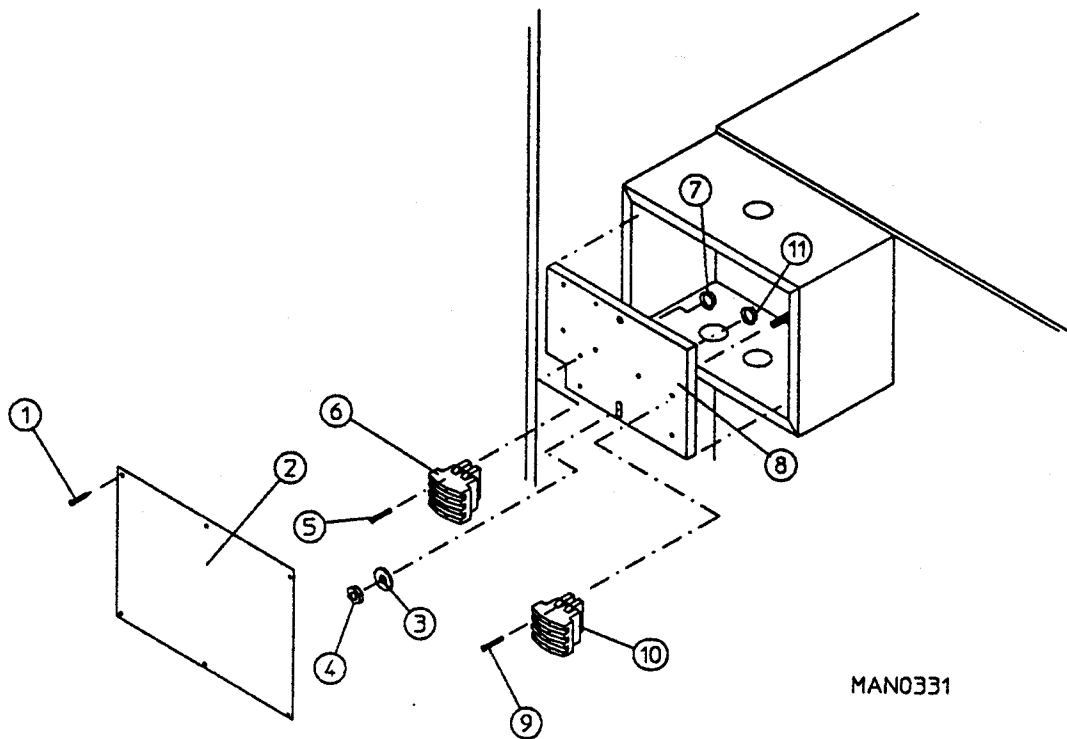
Illus. No.	Part No.	Qty.	Description
1	150301	6	#8-18 x 7/16" Phillips Pan Head Tek Screw
2	322808	1	Control Box Cover Plate Only
3	150108	2	#8-32 x 1/2" Pan Head Machine Screw
4	132200	1	Reversing Timer 60Hz
	132202	1	Reversing Timer 50Hz
5	151001	2	#8-32 Pal Nut
6	153002	2	5/16" Lock Washer
7	152004	2	5/16-18 Hex Nut
8	150108	2	#8-32 x 1/2" Pan Head Machine Screw
9	132400	1	Impellor Contactor (208/230 volt)
10	151001	2	#8-32 Pal Nut
11	322807	1	Contactor Mounting Panel Only
12	150108	2	#8-32 x 1/2" Pan Head Machine Screw
13	132404	1	Reversing Contactor (208 volt)
	132401	1	Reversing Contactor (208/230 volt)
14	132416	2	Reversing Contactor Replacement Coil (208 volt, 60Hz)
	132415	2	Reversing Contactor Replacement Coil (220/230 volt, 60Hz)
	132407	2	Reversing Contactor Replacement Coil (240 volt, 50Hz)
15	151001	2	#8-32 Pal Nut

For Models with 208 or 230 Volt Controls Only with Telemecanique Relays

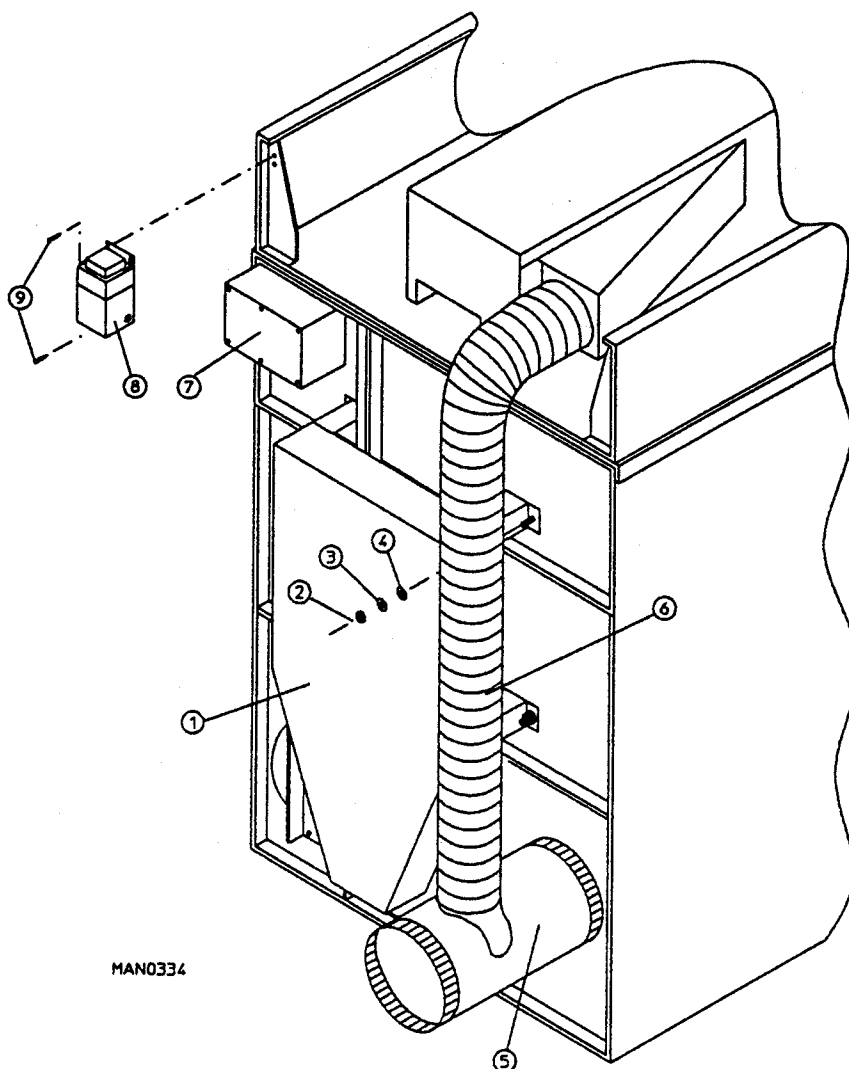


Illus. No.	Part No.	Qty.	Description
1	150301	6	#8-18 x 7/16" Phillips Pan Head Tek Screw
2	322808	1	Control Box Cover Plate Only
3	153002	2	5/16" Lock Washer
4	152004	2	5/16-18 Hex Nut
5	150108	2	#8-32 x 1/2" Pan Head Machine Screw
6	132425	1	Impellor Contactor (208/230/240v, 50/60Hz)
	132427	1	Contactor Replacement Coil (208/230/240v, 50/60Hz)
7	151001	2	#8-32 Pal Nut
8	322807	1	Contactor Mounting Panel Only
9	150108	2	#8-32 x 1/2" Pan Head Machine Screw
10	132425	1	Impellor Contactor 208/230/240v, 50/60Hz)
	132427	1	Contactor Replacement Coil 208/230/240v, 50/60Hz)
11	151001	2	#8-32 Pal Nut

For Models with 208 or 230 Volt Controls Only with Dunco (Struthers-Dunn) Relays



Illus. No.	Part No.	Qty.	Description
1	150301	6	#8-18 x 7/16" Phillips Pan Head Tek Screw
2	322808	1	Control Box Cover Plate Only
3	153002	2	5/16" Lock Washer
4	152004	2	5/16-18 Hex Nut
5	150108	2	#8-32 x 1/2" Pan Head Machine Screw
6	132400	1	Impellor Contactor (208/230 volt)
7	151001	2	#8-32 Pal Nut
8	322807	1	Contactor Mounting Panel Only
9	150108	2	#8-32 x 1/2" Pan Head Machine Screw
10	132400	1	Impellor Contactor (208/230 volt)
11	151001	2	#8-32 Pal Nut



Illus. No.	Part No.	Qty.	Description
1	801509	1	AD-100 Back Guard Assembly
2	152005	4	3/8-16 Hex Nut
3	153005	4	3/8" Lock Washer
4	153004	4	3/8" Flat Washer
5*	143507	1	12" x 12" x 8" Tee
6*	143510	1	8" Diameter Flexible Duct
	117505	**	Aluminum Duct Tape (sold in feet)
7	322808	1	Control Box Cover Plate Only
8	—	1	Transformer (see AD-100 Stepdown Transformer Usage Listing on page 53)
9	150300	2	#10 x 1/2" Hex Washer Tek Screw

* For heat reclaimer models ONLY.

** As required.

DSI Burner Orifice Listing*						
Model No.	Heat Reclaimer	Qty.	Natural Gas		L.P. Gas	
			D.M.S.	Part No.	D.M.S.	Part No.
ADG-100D	No	3	#17	140830	#36	140816
ADG-100DH	Yes	3	#18	140829	#37	140815

* Consult factory for elevations over 2,000 feet.

DSI Burner Assembly Listing				
Model No.	BTU/H Rating	Heat Reclaimer	Natural Gas Part No.	L.P. Gas Part No.
ADG-100D	265,000	No	806635	806636
ADG-100DH	250,000	Yes	806633	806634

NOTES: 1. Burner assemblies do not include burner orifices. They must be ordered separately.
 2. When ordering burner assemblies, specify model number and serial number of dryer.

DSI L.P. Conversion Kit Listing*	
Model No.	Kit Part No.
ADG-100D	874028
ADG-100DH	874041

* Consult factory for elevations over 2,000 feet.

Kw	60		60		60		60		60		
Volts	208		230		380		416		480		
Phase	3		3		3		3		3		
Wire	3		3		3 or 4		3 or 4		3 or 4		
Oven Assy Part No.	815800		815802		815809		815805		815806		
Elements*	Qty.	12	6	12	6	12	6	12	6	12	6
	Size	3	4	3	4	3	4	3	4	3	4
	Part No.	120006	120008	120007	120009	120006	120008	120006	120008	120007	120009
Oven Wire**	Qty.	51	9	51	9	22	8	22	8	22	8
	Size	#8	#10	#8	#10	#8	#10	#8	#10	#8	#10
	Part No.	133100	133000	133100	133300	133100	133000	133100	133000	133100	133000
Terminal Lug	Qty.	19		19		10		10		10	
	Part No.	121010		121010		121010		121010		121010	
Bus Bar P/N 121011	8		8		11		11		11		

* Refer to ADE-100 Electric Oven Element Structure on pages 54 and 55 for exact location of elements.

** Oven wire is sold in feet.

Applications / Identification / Specifications

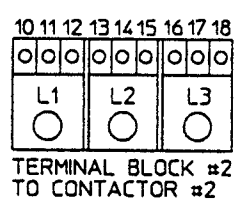
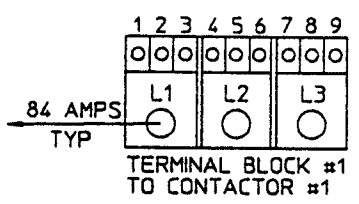
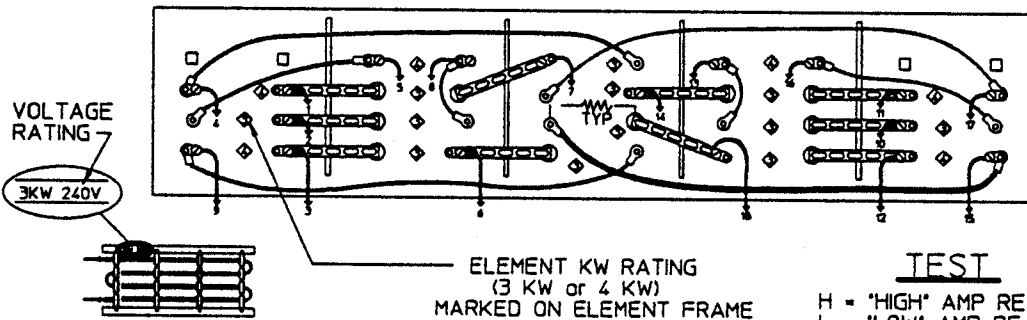
Stepdown Transformer Application Listing			
Heat	Voltage	Wire Service	Transformer
Gas	380	3	P/N 132011 at .250KVA
	380	4	None Used
	416	3	P/N 132014 at 1.00KVA
	416	4	None Used
	440/460/480	3	P/N 132007 at .750KVA
	440/460/480	4	P/N 132019 at .500KVA
	575	3	P/N 132011 at .250KVA
Electric	380	3	P/N 132011 at .250KVA
	380	4	None Used
	416	3	P/N 132014 at 1.00KVA
	416	4	None Used
	440/460/480	3	P/N 132005 at .150KVA
	440/460/480	4	P/N 132019 at .500KVA
	600	3	P/N 132011 at .250KVA
Steam	380	3	P/N 132011 at .250KVA
	380	4	None Used
	416	3	P/N 132014 at 1.00KVA
	416	4	None Used
	440/460/480	3	P/N 132005 at .150KVA
	440/460/480	4	P/N 132019 at .500KVA
	575	3	P/N 132011 at .250KVA

Transformer Identification / Specification Listing			
ADC Part Number	Manufacturer Part Number	Manufacturer	Specification / Description
132005	T-1-53006	ACME	240 x 480 / 24 x 48, 60 Hz; .150 KVA
132007	T-2-530009-S	ACME	240 x 480 / 120 x 240, 60 Hz; .750 KVA
132011	TA-1-54538	ACME	380 -600 / 115 x 230 , 60 Hz; .250 KVA
132014	TF-2-17437	ACME	190 -440 / 110 x 220 , 60 Hz; 1.00 KVA
132019	T-2-53008-S	ACME	240 x 480 / 120 x 240, 60 Hz; .500 KVA

ADE-100 ELECTRIC OVEN ELEMENT STRUCTURE

(208/240V-60KW-50/60HZ-3Ø)

IMPORTANT: 220-240V OVENS USE 240V ELEMENTS



TEST

H = 'HIGH' AMP READING
 L = 'LOW' AMP READING

1 - H	2 - L	3 - H	208V
4 - H	5 - H	6 - L	H = 29 AMPS
7 - L	8 - H	9 - H	AVG. L = 25 AMPS
10 - L	11 - H	12 - H	240V
13 - H	14 - L	15 - H	H = 25 AMPS
16 - H	17 - H	18 - L	AVG. L = 22 AMPS

**ELEMENT ARRANGEMENT, INTERCONNECTIONS,
 AND LINE LEAD IDENTIFICATION**

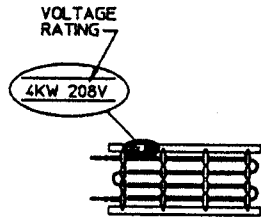
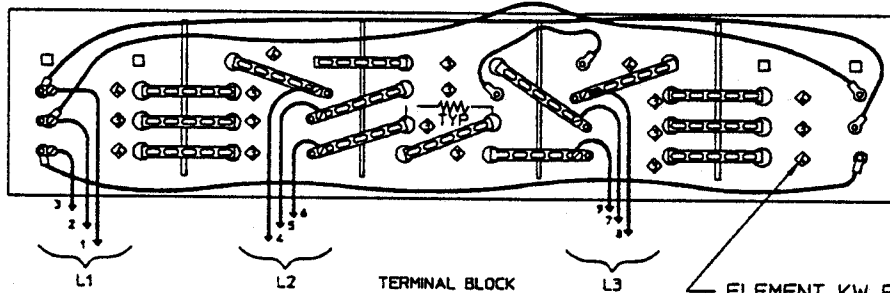
SEE DRAWING

416/480v-60Kw-50/60Hz-3ø

ADE-100 ELECTRIC OVEN ELEMENT STRUCTURE

(416/480V-60KW-50/60HZ-3Ø)

IMPORTANT: 416V OVENS USE 208V ELEMENTS
440-480V OVENS USE 240V ELEMENTS



ELEMENT KW RATING
(3 KW or 4 KW)
MARKED ON ELEMENT FRAME

TEST

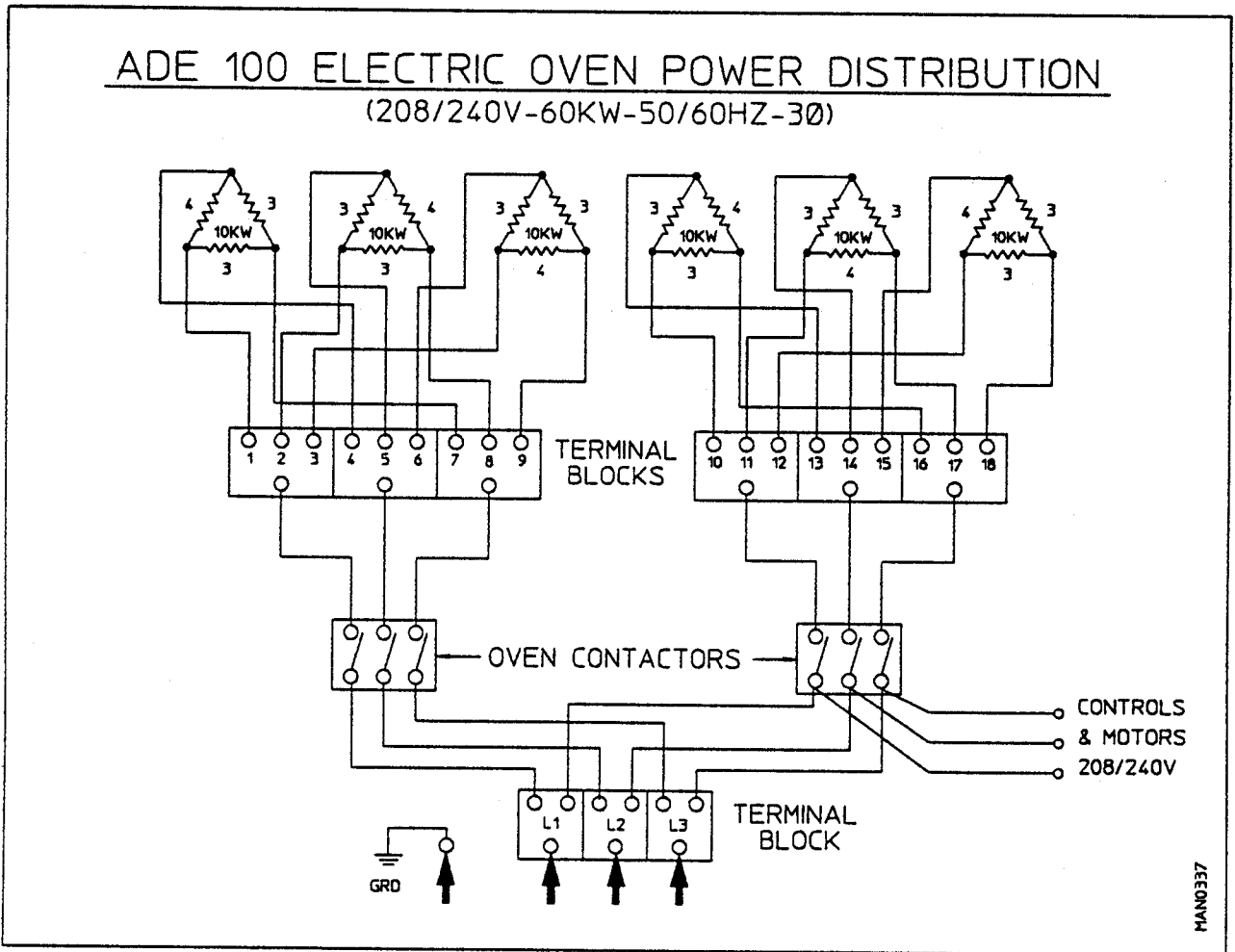
H = "HIGH" AMP READING
L = "LOW" AMP READING
1 - L 2 - L 3 - H
4 - H 5 - L 6 - L
7 - L 8 - H 9 - L

416V
27.8 H = 29 AMPS
AVG. L = 25 AMPS
480V
24.1 H = 25 AMPS
AVG. L = 22 AMPS

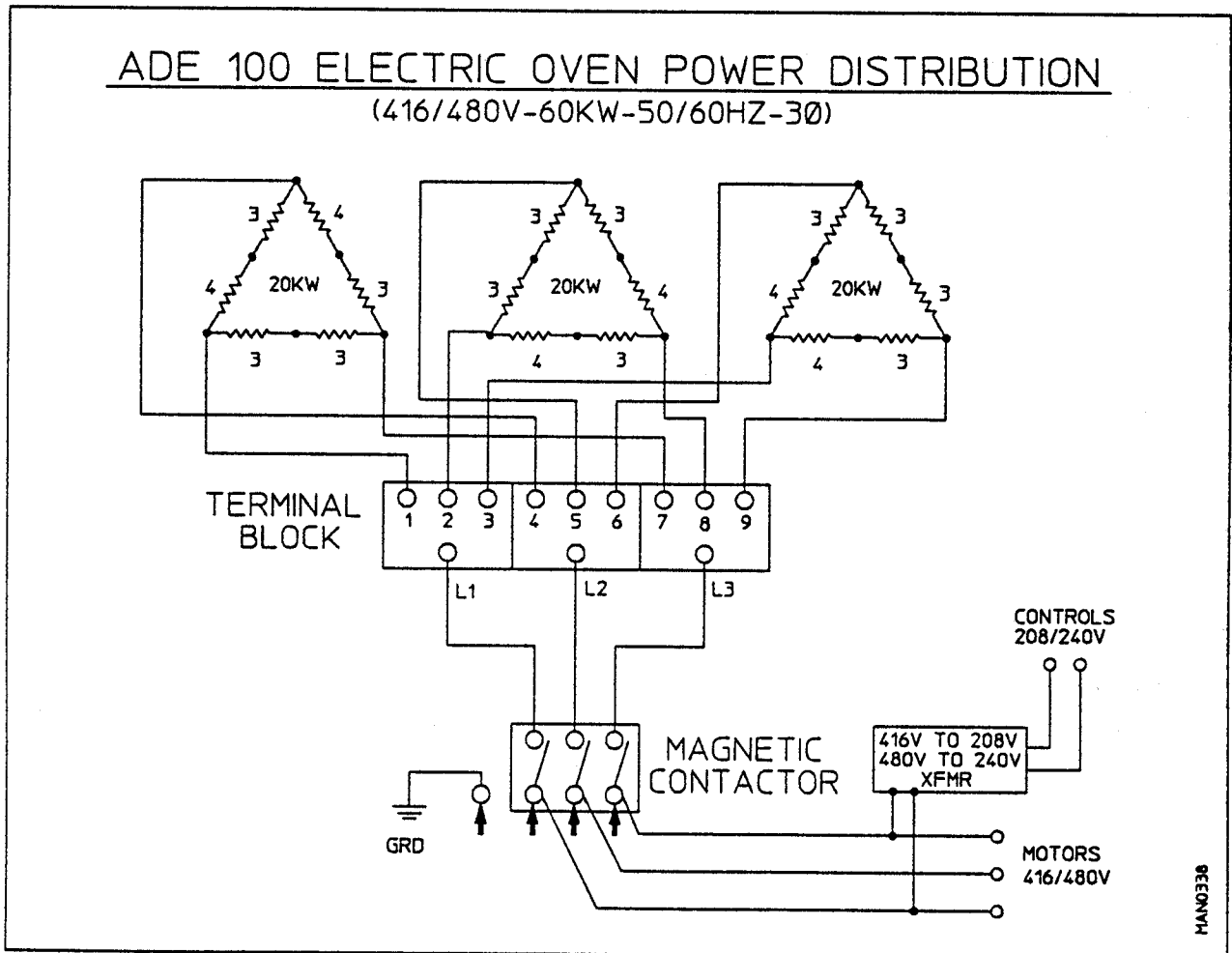
ELEMENT ARRANGEMENT, INTERCONNECTIONS,
AND LINE LEAD IDENTIFICATION

MAN336

208/240v 60Kw 50/60Hz 3Ø



416/480 60Kw 50/60Hz 3ø



<u>Part No.</u>	<u>Description</u>
112027	"Water Washed Fabrics" Label
112040	"Lint Compartment" Label
112041	"Caution-Exhausted" Label
112090	"Phase 4 OPL Program Location Summary " Label
112531	"Phase 3 OPL Program Location Summary " Label
120100	3/8" Straight (BX) Connector
120300	3/8" x 45° (BX) Connector
120400	3/8" Red Jacket (BX) Insulator
120500	3/8" Jiffy Clip (BX Retainer Clip)
120600	3/8" Greenfield (BX)
120800	1/4" In-Line Connector
120802	Red Butt Connector
120902	#74B Wire Nut
120903	Crimp-on Wire Nut
121014	1/4" Insulated (female) Terminal
121499	4" Harness Tie
121500	7" Harness Tie
121503	Harness Tie Mounting Clip
122804	Manometer (water column test gauge)
880200	Electrical Terminal (assortment) Kit

ADC450098

1 - 04/04/90-250
4 - 05/15/92-50
7 - 02/28/95-100

2 - 01/07/92-100
5 - 10/19/92-100
8 * 01/29/98-50

3 - 01/22/92-50
6 - 02/22/93-100
9 - 04/18/01-25

