



# **AD-120 Parts Manual**

## **24 VAC Phase 5**

*for models mfd. prior to July 7, 1995*

---

**American Dryer Corporation**  
88 Currant Road  
Fall River MA 02720-4781  
Telephone: (508) 678-9010 / Fax: (508) 678-9447  
E-mail: [service@amdry.com](mailto:service@amdry.com)

# Retain This Manual In A Safe Place For Future Reference

American Dryer Corporation products embody advanced concepts in engineering, design, and safety. If this product is properly maintained, it will provide many years of safe, efficient, and trouble free operation.

*ONLY qualified technicians should service this equipment.*

**OBSERVE ALL SAFETY PRECAUTIONS** displayed on the equipment or specified in the installation manual included with the dryer.

The following “**FOR YOUR SAFETY**” caution must be posted near the dryer in a prominent location.

## FOR YOUR SAFETY

Do not store or use gasoline or other flammable vapors and liquids in the vicinity of this or any other appliance.

## POUR VOTRE SÉCURITÉ

Ne pas entreposer ni utiliser d'essence ni d'autres vapeurs ou liquides inflammables à proximité de cet appareil ou de tout autre appareil.

We have tried to make this manual as complete as possible and hope you will find it useful. ADC reserves the right to make changes from time to time, without notice or obligation, in prices, specifications, colors, and material, and to change or discontinue models.

## Important

For your convenience, log the following information:

DATE OF PURCHASE \_\_\_\_\_ MODEL NO. **AD-120**

RESELLER'S NAME \_\_\_\_\_

Serial Number(s) \_\_\_\_\_

Replacement parts can be obtained from your reseller or the ADC factory. When ordering replacement parts from the factory, you can FAX your order to ADC at (508) 678-9447 or telephone your order directly to the ADC Parts Department at (508) 678-9000. Please specify the dryer model number and serial number in addition to the description and part number, so that your order is processed accurately and promptly.

The illustrations on the following pages may not depict your particular dryer exactly. The illustrations are a composite of the various dryer models. Be sure to check the descriptions of the parts thoroughly before ordering.

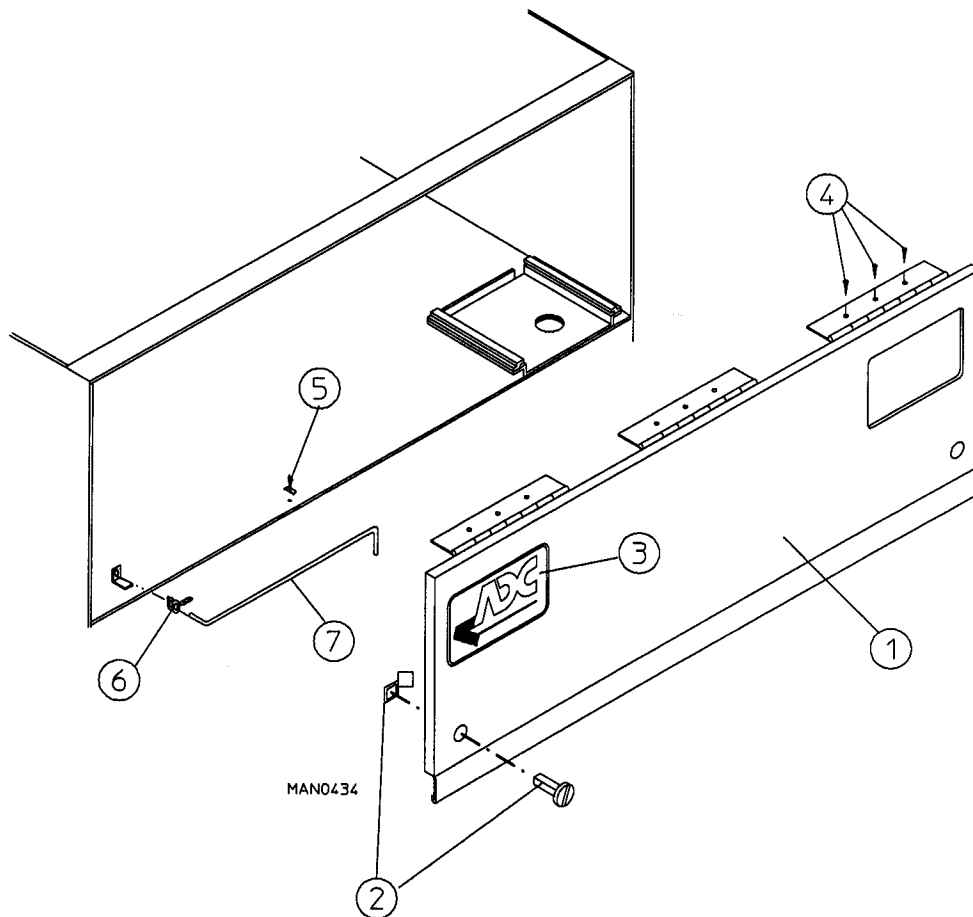
### **“IMPORTANT NOTE TO PURCHASER”**

Information must be obtained from your local gas supplier on the instructions to be followed if the user smells gas. These instructions must be posted in a prominent location near the dryer.

# Table of Contents

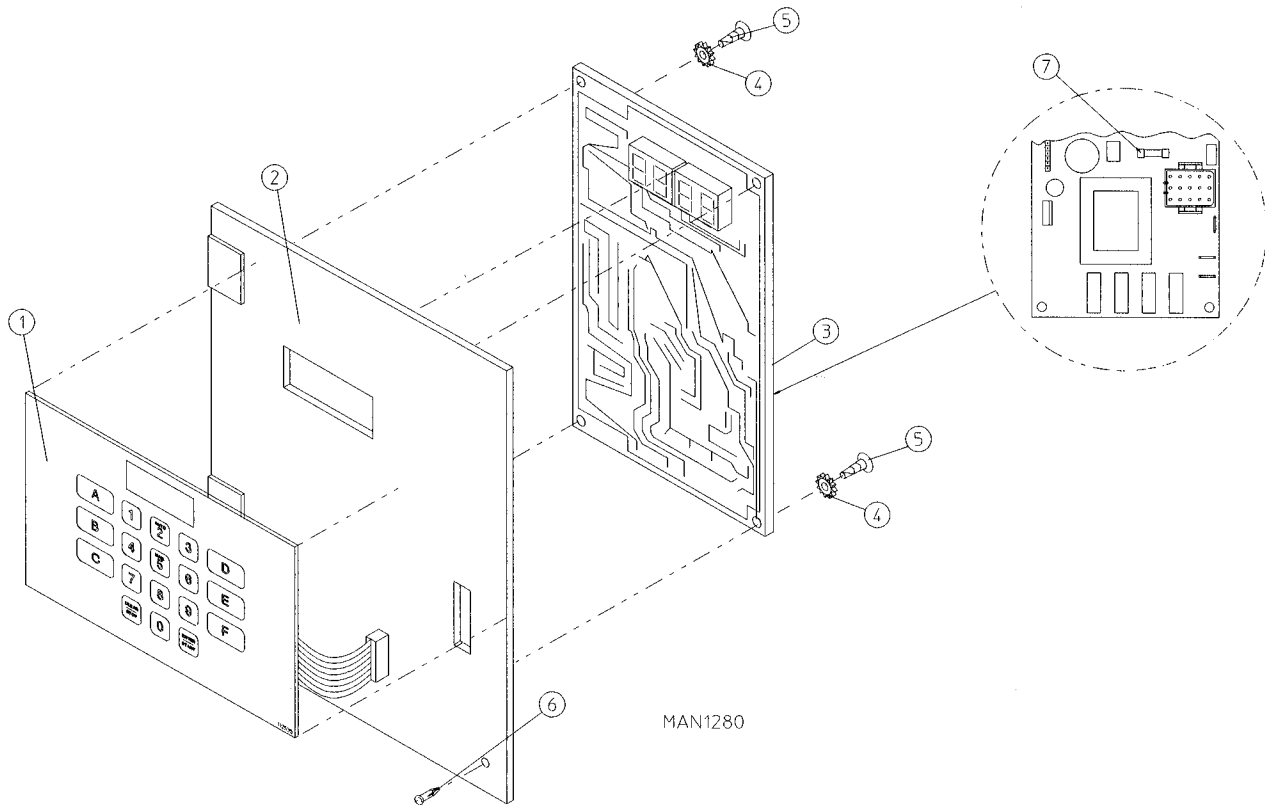
AD-120 Control Door Assembly .....	3
AD-120 Microprocessor Control Panel Assembly .....	4
AD-120 Microprocessor Control Box Assembly .....	5
AD-120 Dual Timer Control Panel Assembly .....	6, 7
AD-120 Dual Timer Control Box Assembly .....	8, 9
AD-120 Front Panel / Main Door Assemblies .....	10, 11
AD-120 Main Door Switch Assembly	
<b>For models mfd. as of December 15, 1994</b> .....	12
Main Door Switch Assembly	
<b>For models mfd. prior to December 15, 1994</b> .....	13
AD-120 Lint Drawer / Lint Drawer Switch Box Assemblies	
<b>For models mfd. as of March 28, 1995</b> .....	14
AD-120 Lint Drawer / Lint Drawer Switch Box Assemblies	
<b>For models mfd. prior to March 28, 1995</b> .....	15
AD-120 Drop Lint Door Assembly .....	16
AD-120 Microprocessor Temperature Sensor Bracket Assembly .....	17
AD-120 Non-Microprocessor Temperature Sensor Bracket Assembly .....	18, 19
AD-120 Basket (Tumbler) / Support Assemblies .....	20, 21
AD-120 Tumbler Bearing Assembly .....	22, 23
AD-120 Idler Bearing Mount Assembly .....	24, 25
AD-120 Totally Enclosed, Fan-Cooled (T.E.F.C.) Basket Motor Mount Assembly .....	26, 27
AD-120 Blower Motor Mount Assembly	
<b>For Gas and Steam Models ONLY</b> .....	28, 29
ADE-120 Blower Motor Mount Assembly	
<b>For Electric Models ONLY</b> .....	30, 31
ADG-120 Direct Spark Ignition (DSI) Burner Assembly	
<b>For <u>ALL</u> Gas Models mfd. with the 3/4" White-Rodgers Gas Valve as of October 8, 1993</b>	
<b>For <u>ALL</u> CURRENT PRODUCTION ADG-120 DRYERS</b>	
<b>EXCLUDING CSA/CANADA MODELS</b> .....	32, 33
ADG-120 Direct Spark Ignition (DSI) Burner Assembly	
<b>For <u>ALL</u> Gas Models mfd. with the 1" Robertshaw Gas Valve prior to October 8, 1993</b>	
<b>For <u>ALL</u> CURRENT PRODUCTION CSA/CANADA MODELS</b> .....	34, 35
ADG-120 Direct Spark Ignition (DSI) Module Mount Assembly	
<b>For Gas Models ONLY</b>	

Sail Switch Assembly .....	37
ADE-120 Electric Oven Assembly .....	38, 39
ADE-120 Electric Oven Relay Box Assembly	
<b>208/240 VAC - 50/60 Hz - 3ø</b> .....	40
ADE-120 Electric Oven Relay Box Assembly	
<b>380/416/480 VAC - 50/60 Hz - 3ø</b> .....	41
ADS-120 Steam Damper Assembly .....	42, 43
AD-120 Microprocessor Reversing Rear Control Box Assembly	
<b>For Gas and Steam Models, and for Electric Models mfd. prior to March 29, 1995</b> .....	44
AD-120 Microprocessor Reversing Rear Control Box Assembly	
<b>For Electric Models mfd. as of March 29, 1995</b> .....	45
ADE-120 Dual Timer Reversing Rear Control Box Assembly	
<b>For Gas and Steam Models, and for Electric Models mfd. prior to March 29, 1995</b> .....	46
ADE-120 Dual Timer Reversing Rear Control Box Assembly	
<b>For Electric Models mfd. as of March 29, 1995</b> .....	47
AD-120 Extended Back Guard Assembly	
<b>For <u>ALL</u> 60 Hertz Models mfd. as of January 26, 1995</b>	
<b>For <u>ALL</u> 50 Hertz Models mfd. as of January 9, 1995</b> .....	48
AD-120 Back Guard Assembly	
<b>For <u>ALL</u> 60 Hertz Models mfd. prior to January 26, 1995</b>	
<b>For <u>ALL</u> 50 Hertz Models mfd. prior to January 9, 1995</b> .....	49
AD-120 Step Down Transformer Usage Listing .....	50
ADE-120 Electric Oven Component Application Charts .....	51
ADE-120 Electric Oven Power Distribution	
<b>208/240 VAC - 72 Kw - 50/60 Hz - 3ø</b> .....	52
ADE-120 Electric Oven Power Distribution	
<b>380/416/480 VAC 72 Kw - 50/60 Hz - 3ø</b> .....	53
ADE-120 Electric Oven Power Distribution	
<b>208/240 VAC - 80 Kw - 50/60 Hz - 3ø</b> .....	54
ADE-120 Electric Oven Power Distribution	
<b>380/416/480 VAC 80 Kw - 50/60 Hz - 3ø</b> .....	55
ADE-120 Electric Oven Wiring	
<b>208/240 VAC - 72/80 Kw - 50/60 Hz - 3ø</b> .....	56
ADE-120 Electric Oven Wiring	
<b>380/416/480 VAC 72/80 Kw - 50/60 Hz - 3ø</b> .....	57
Additional Parts Available .....	58



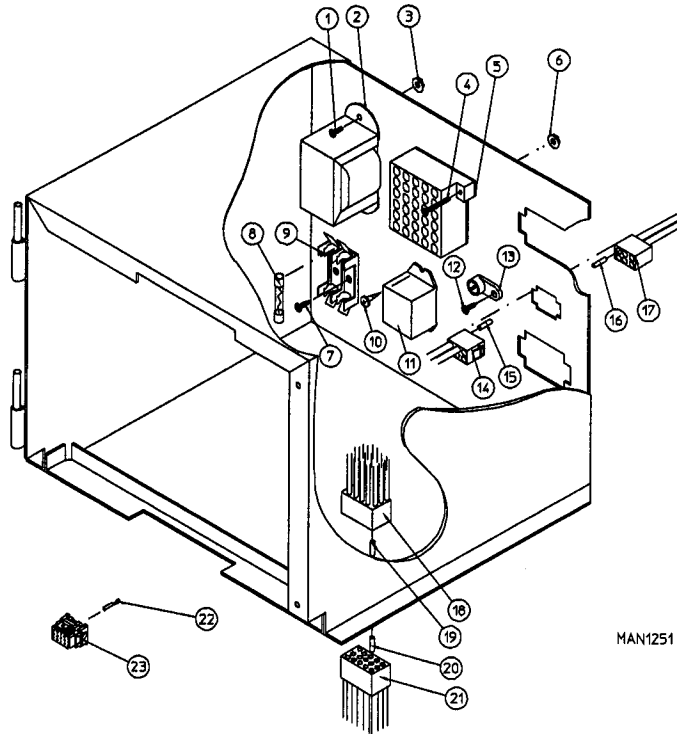
Illus. No.	Part No.	Qty.	Description
1	820004*	1	AD-120 Control Door Assembly ONLY (for Gas Models and Electric Models ONLY)
	820003	1	AD-120 Stainless Steel Control Door Assembly ONLY (for Gas Models and Electric Models ONLY)
	820006*	1	ADS-120 Short Control Door ONLY (for Steam Models ONLY)
	820009	1	ADS-120 Stainless Steel Short Control Door ONLY (for Steam Models ONLY)
2	160005	2	Spring Turn Latch (2-piece)
3	112360	1	ADC Logo ONLY
	870011	1	Double Tape Kit
4	150415	9	#10-16 x 1/2" Phillips Round Head Crimptite Screw
5	102600	1	Control Door Support Rod Catch
6	102601	1	Control Door Rod Retainer Clip
7	102505	1	AD-120 Control Door Support Rod

\* Specify color when ordering.



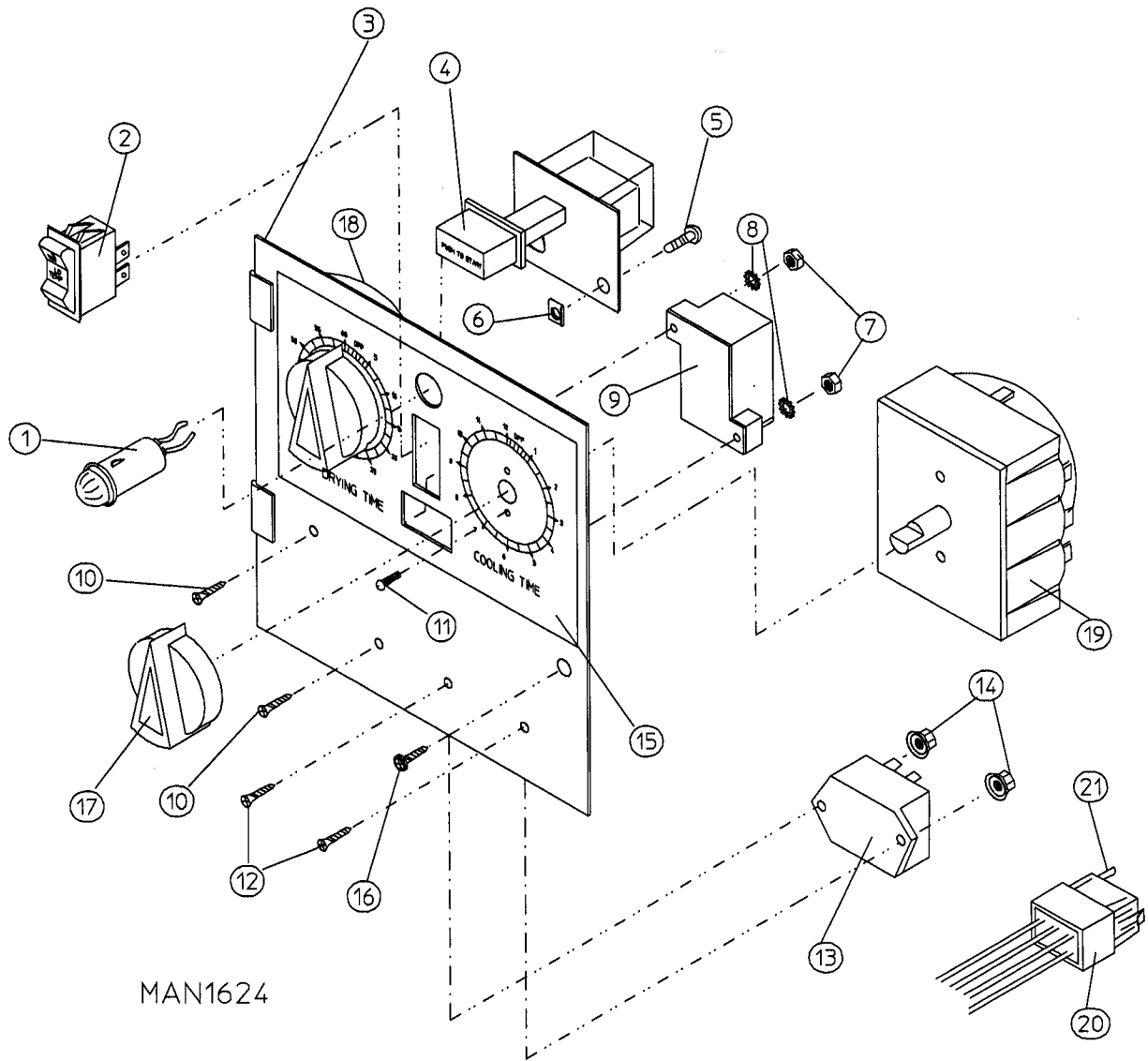
<u>Illus. No.</u>	<u>Part No.</u>	<u>Qty</u>	<u>Description</u>
1	112535	1	OPL English Keyboard Label Assembly
	112276	1	OPL Stick-on Labels (English Only) ... Not Illustrated
	112275	1	OPL Stick-on Labels (Spanish, Italian, and Hebrew) ...Not Illustrated
	112277	1	3-Language OPL Stick-on Labels (English, Spanish, and Hebrew) ... Not Illustrated
	112278	1	5-Language OPL Stick-on Labels (Italian, Dutch, French, German, and Chinese) ... Not Illustrated
2	880836	1	AD-120 Microprocessor Control Panel ONLY
	801260	1	AD-120 Microprocessor Control Panel Only with Battery Bracket
	801215	1	AD-120 Microprocessor Control Panel Assembly Complete (includes illus. nos. 1 through 5 and 7)
	801214	1	AD-120 Microprocessor Control Panel Assembly Complete with Battery Option (includes illus. nos. 1 through 5 and 7)
3	137231	1	Phase 5 OPL Reversing Microprocessor Controller (computer) ONLY
	824998	1	Phase 5 Battery Clip
4	153010	2	#6 Star Washer
5	150005	2	#6-32 x 3/4" Phillips Round Head Machine Screw
6	150415	1	#10-16 x 1/2" Phillips Round Head CrimpTite Screw (for models mfd. as of March 1, 1994)
	160005	1	Spring Turn Latch (2-piece) (for models mfd. prior to March 1, 1994)
7	136048	1	1/8-Amp (Slo Blo) Fuse ONLY

**IMPORTANT:** Check label on computer chip to verify correct part number for microprocessor (computer).



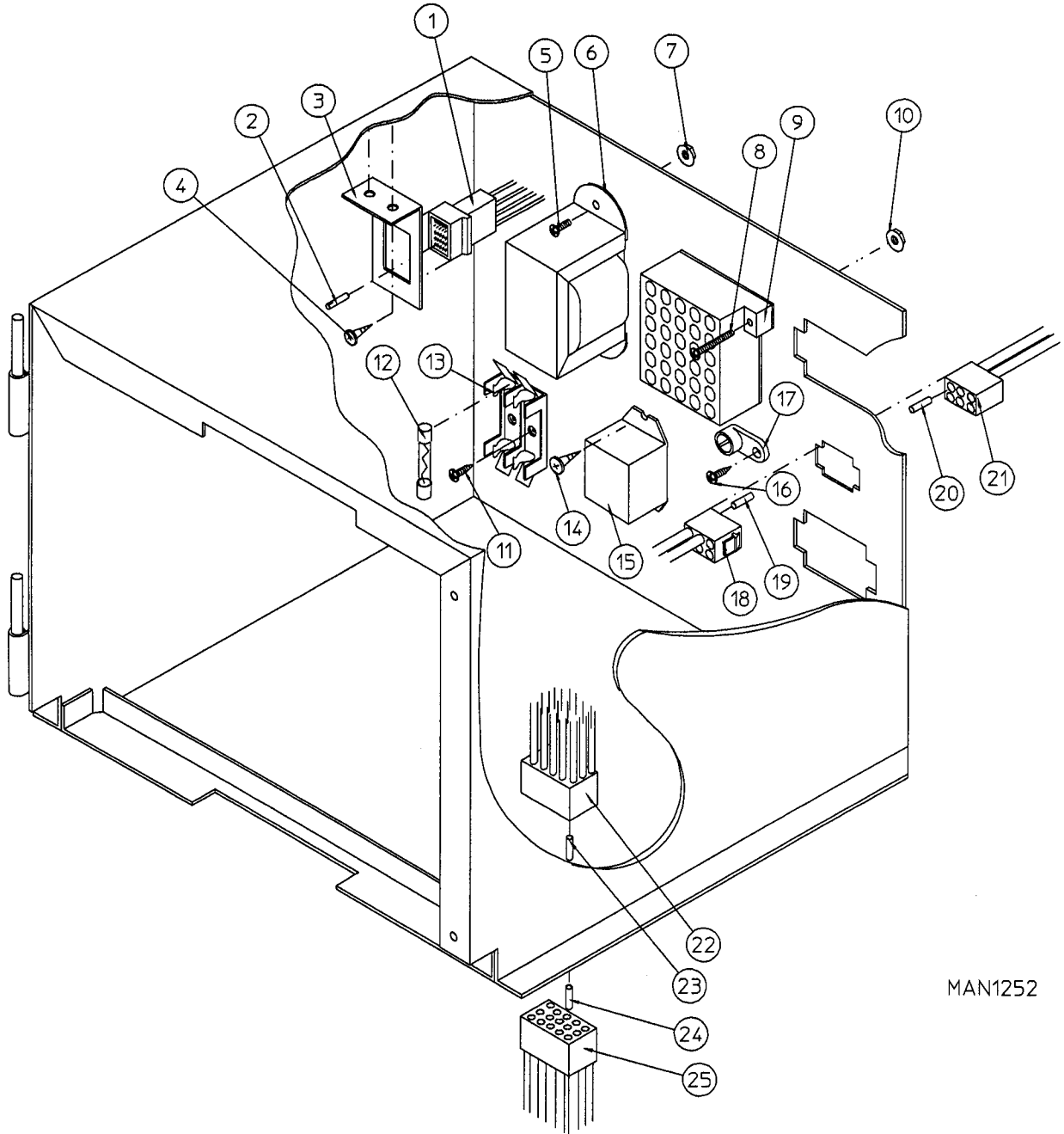
Illus. No.	Part No.	Qty.	Description
1	150100	2	#8-32 x 1/2" Round Head Machine Screw
2	141403	1	24 VAC Transformer - 50/60 Hz
3	151001	2	#8-32 Pal Nut
4	150002	2	#6-32 x 1" Round Head Machine Screw
5	120715	1	30-Position Terminal Block
6	151000	2	#6-32 Pal Nut
7	150102	2 or 3	#8 x 3/8" Phillips Pan Head TEK Screw
8	136057	2	1/2-Amp (Slo Blo) Fuse ONLY
	182453	1	6-Amp Fuse (for Electric Models ONLY)
9	136008	2 or 3	Fuse Block/Strip ONLY
10	150415	2	#10-16 x 1/2" Phillips Round Head Crimptite Screw
11	131932	1	24 VAC Relay (for Electric Models ONLY)
12	150415	1	#10-16 x 1/2" Phillips Round Head Crimptite Screw
13	121010	1	L-70 Ground Lug
14	122631	1	6-Pin Connector ONLY
15	122705	*	Socket Terminal ONLY
16	122704	*	Pin Terminal Only
17	122630	1	6-Pin Connector ONLY
	137025	1	6/15 Position Strain Relief ... Not Illustrated
18	122625	1	15-Pin Connector ONLY
19	122704	12	Pin Terminal ONLY
20	122705	12	Socket Terminal ONLY
21	122626	1	15-Pin Socket Connector ONLY
22	122706	11	Microprocessor Socket ONLY
23	122641	1	15-Pin Microprocessor Connector ONLY
---	122800	1	Microprocessor (female) Pin Extraction Tool
---	122801	1	Pin/Socket Extraction Tool

\* As required (either 2 or 3).



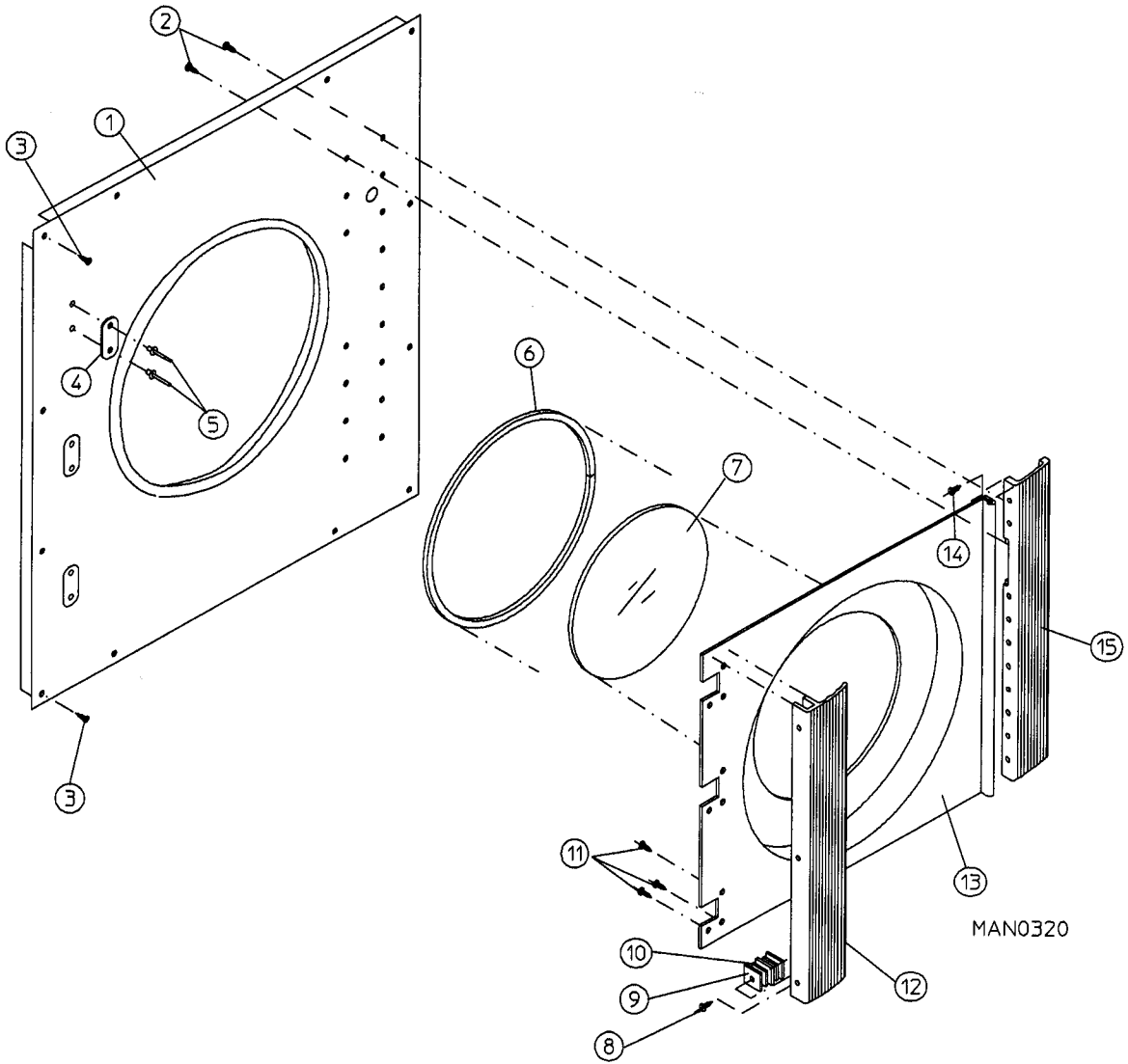


<u>Illus. No.</u>	<u>Part No.</u>	<u>Qty.</u>	<u>Description</u>
1	123005	1	Red Indicator Light - 24 VAC
2	122400	1	Rocker Heat Selector Switch
3	880838	1	AD-120 Dual Timer Control Panel Assembly Complete - 24 VAC (includes illus nos. 1 through 15 and 17 through 21)
	880837	1	AD-120 Dual Timer Control Panel ONLY
4	131917	1	Push to Start Relay - 24 VAC
5	150207	2	#10-24 x 1/2" Round Head Machine Screw
6	154001	2	#10-24 Speed Nut
7	152000	2	#6-32 Hex Nut
8	153010	2	#6 Star Washer
9	120730	1	30-Position Terminal Block (for models mfd. as of May 2, 1993)
	120713	1	18-Position Terminal Block (for models mfd. prior to May 2, 1993)
10	153565	2	#6-32 x 1" Clinch Stud
11	150110	4	#8-32 x 1/4" Phillips Round Head Machine Screw
12	153560	2	#6-32 x 1/2" Clinch Stud
13	131931	1	Dual Timer Relay - 24 VAC
14	151000	2	#6-32 Pal Nut
15	112050	1	Dual Timer Label ONLY
16	150415	1	#10-16 x 1/2" Phillips Round Head Crimptite Screw (for models mfd. as of March 1, 1994)
	160005	1	Spring Turn Latch (2-piece) For models mfd. prior to March 1, 1994
17	124103	2	Arrow Timer Knob
18	124025	1	60 Minute Timer - 24 VAC
19	124030	1	15 Minute Timer - 24 VAC
20	122602	1	9-Pin Connector ONLY
21	122700	7	Pin Terminal ONLY
---	122801	1	Pin/Socket Extraction Tool



MAN1252

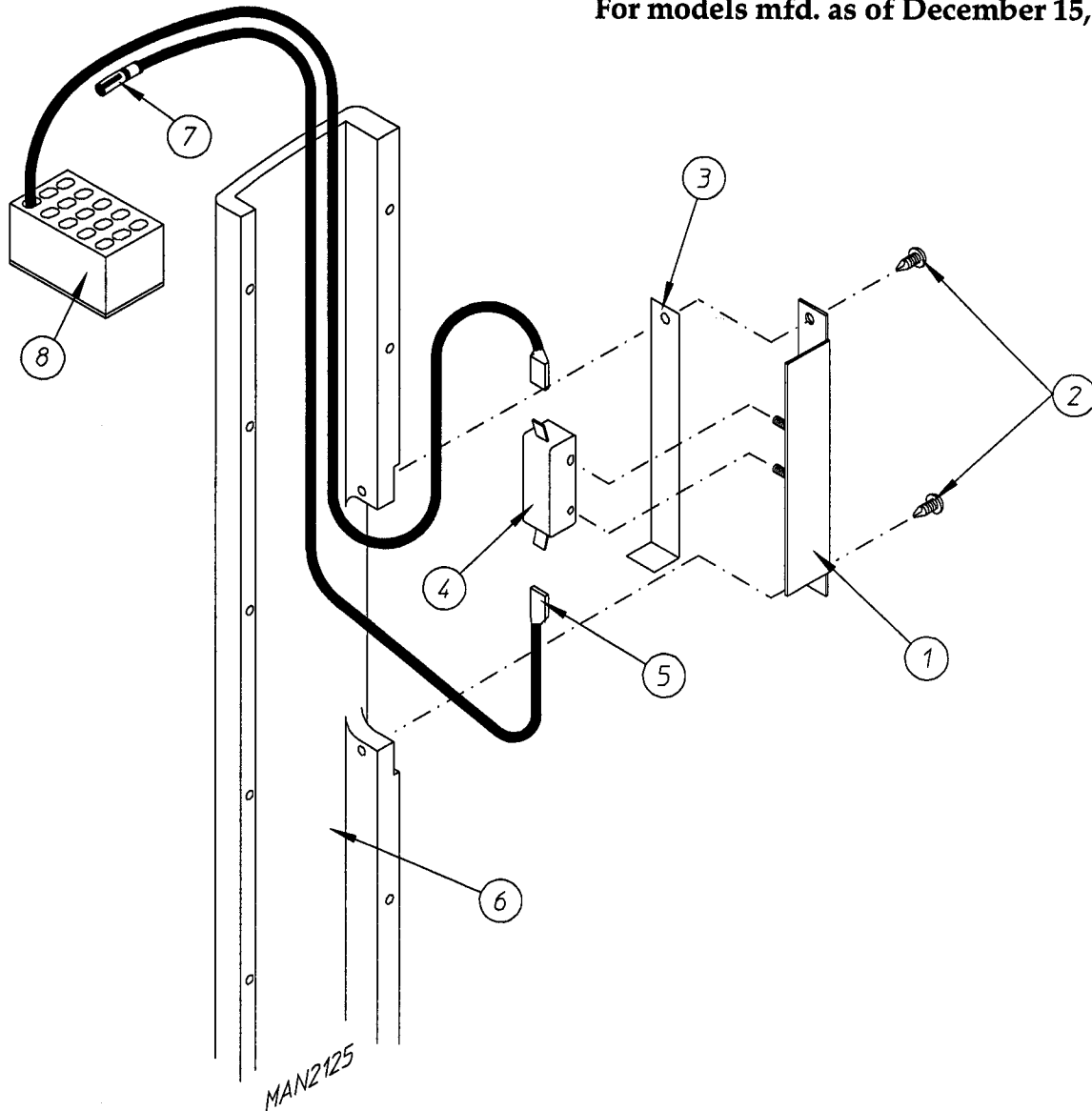
<u>Illus. No.</u>	<u>Part No.</u>	<u>Qty.</u>	<u>Description</u>
1	122603	1	9-Pin Socket Connector
2	122701	7	Socket Terminal ONLY
	122801	1	Pin/Socket Extraction Tool
3	315010	1	9-Pin Connector Bracket
4	150300	2	#10 x 1/2" Hex Washer TEK Screw
5	150100	2	#8-32 x 1/2" Round Head Machine Screw
6	141403	1	24 VAC Transformer - 50/60 Hz
7	151001	2	#8-32 Pal Nut
8	150002	2	#6-32 x 1" Round Head Machine Screw
9	120715	1	30-Position Terminal Block
10	151000	2	#6-32 Pal Nut
11	150301	2 or 3	#8-18 x 7/16" Phillips Pan Head TEK Screw
12	136057	2	1/2-Amp (Slo Blo) Fuse ONLY
	182453	1	6-Amp Fuse (for Electric Models ONLY)
13	136008	2 or 3	Fuse Block/Strip
14	150415	2	#10-16 x 1/2" Phillips Round Head Crimptite Screw
15	131932	1	24 VAC Relay (for Electric Models ONLY)
16	150415	1	#10-16 x 1/2" Phillips Round Head Crimptite Screw
17	121010	1	L-70 Ground Lug
18	122631	1	6-Pin Socket Connector ONLY
19	122705	2	Socket Terminal ONLY
20	122704	2	Pin Terminal ONLY
21	122630	1	6-Pin Connector ONLY
	137025	1	6/15 Position Strain Relief ... Not Illustrated
22	122625	1	15-Pin Connector ONLY
23	122704	10	Pin Terminal ONLY
24	122705	10	Socket Terminal ONLY
25	122626	1	15-Pin Socket Connector ONLY
---	122801	1	Pin/Socket Extraction Tool



<u>Illus. No.</u>	<u>Part No.</u>	<u>Qty.</u>	<u>Description</u>
1	820012*	1	AD-120 Right Hand Front Panel Assembly (includes illus. nos. 1, 4, and 5)
	820014	1	AD-120 Stainless Steel Right Hand Front Panel Assembly (includes illus. nos. 1, 4, and 5)
2	150415	15	#10-16 x 1/2" Phillips Round Head Crimptite Screw
3	150412	12	#10-16 x 3/4" Phillips Round Head Crimptite Screw
4	170340	3	3-1/2" Stainless Steel Striker Pad
5	154200	6	5/32" Pop Rivet
6	102308	1	AD-120 Door Gasket ONLY (94" length)
7	102210	1	20-7/16" Door Glass ONLY
	170730	1	Glass and Gasket Adhesive (10.3 oz. cartridge)
8	150401	3	#10-24 x 1 1/4" Phillips Taptite Screw
9	306801	6	Magnet Keeper ONLY
10	102100	6	1" x 1" x 1/4" Main Door Magnet ONLY
11	150415	9	#10-16 x 1/2" Phillips Round Hand Crimptite Screw
12	180151	1	35" Granite Main Door Handle ONLY (for models mfd. as of March 8, 1993)
	180150	1	35" Gray Main Door Handle ONLY (for models mfd. prior to March 8, 1993)
13	800265*	1	AD-120 Main Door Assembly Complete with Granite Handle (includes illus. nos. 6 through 13) For models mfd. as of March 8, 1993
	800127*	1	AD-120 Main Door Assembly Complete with Gray Handle (includes illus. nos. 6 through 13) For models mfd. prior to March 8, 1993
	800266	1	AD-120 Stainless Steel Main Door Assembly Complete with Granite Handle (includes illus. nos. 6 through 13) For models mfd. as of March 8, 1993
	800128	1	AD-120 Stainless Steel Main Door Assembly Complete with Gray Handle (includes illus. nos. 6 through 13) For models mfd. prior to March 8, 1993
	800122*	1	AD-120 Main Door Assembly with Glass and Gasket ONLY (includes illus. nos. 6, 7, and 13)
	800123	1	AD-120 Stainless Steel Main Door Assembly with Glass and Gasket ONLY (includes illus. nos. 6, 7, and 13)
14	150430	10	#10 x 1/2" Phillips Self Drilling Screw
15	180156	1	35" Granite Main Door Hinge Block ONLY (for models mfd. as of March 8, 1993)
	180155	1	35" Gray Main Door Hinge Block ONLY (for models mfd. prior to March 8, 1993)

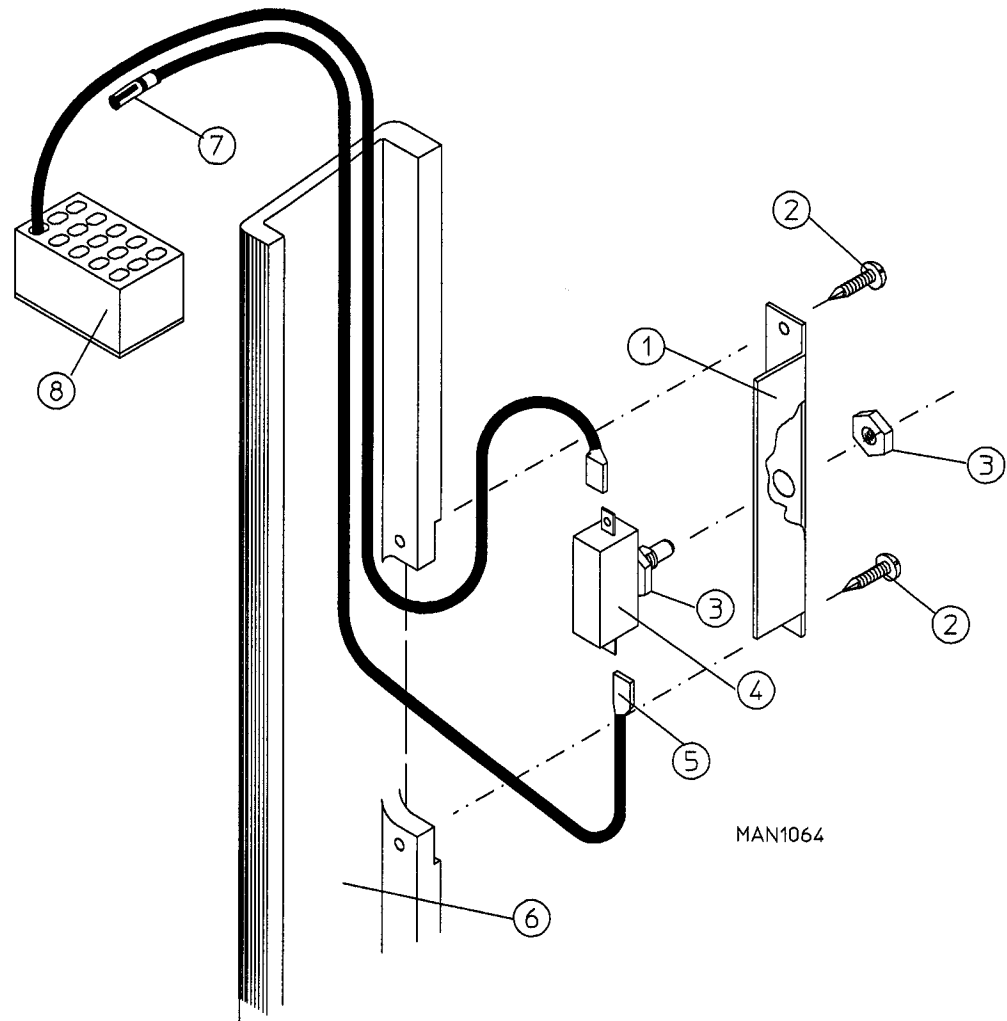
\* Specify color when ordering.

For models mfd. as of December 15, 1994



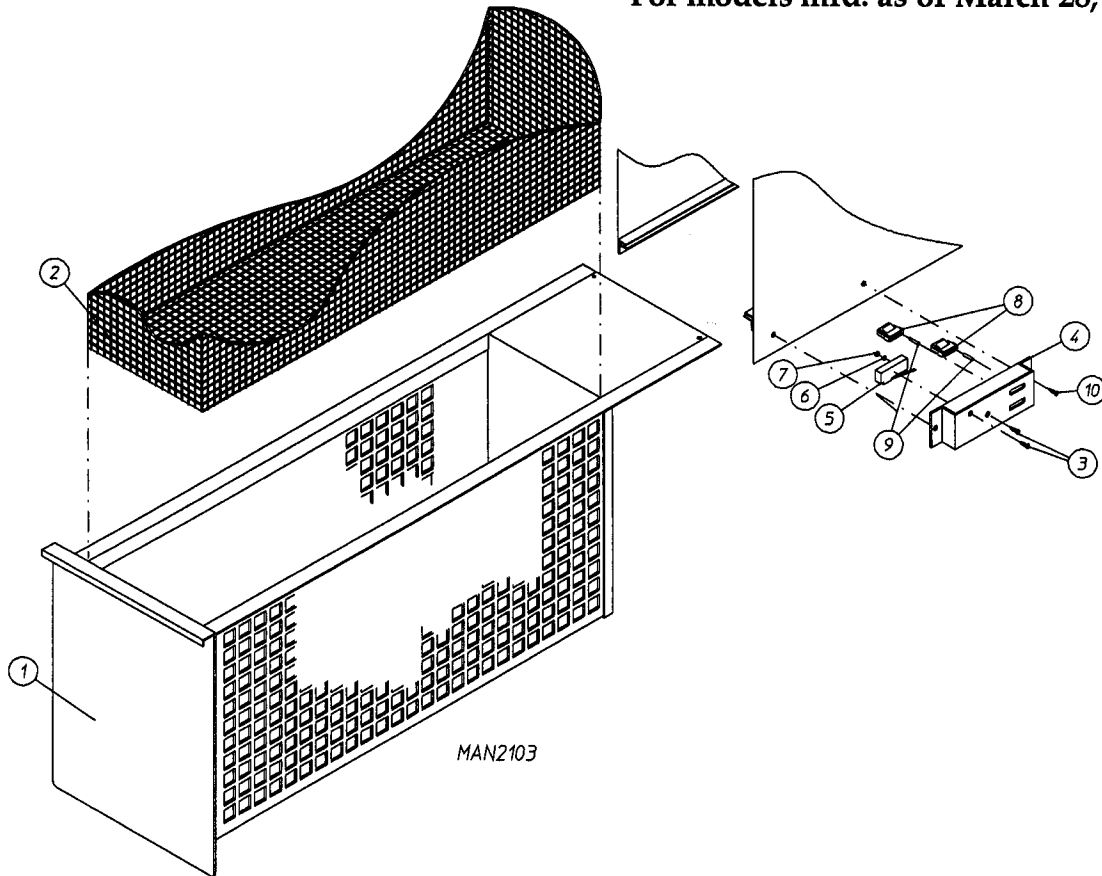
<u>Illus. No.</u>	<u>Part No.</u>	<u>Qty.</u>	<u>Description</u>
1	821098	1	AD-120 Main Door Switch Assembly Complete (includes illus. nos. 1 through 4 and 6)
	821097	1	Main Door Switch Bracket Assembly ONLY
	102405	1	Main Door Switch Actuator ONLY
2	150415	2	#10-16 x 1/2" Phillips Round Head Crimptite Screw
3	102405	1	Main Door Switch Actuator
4	137005	1	Main Door Switch ONLY
5	121028	2	1/4" x .032 Insulated Terminal ONLY
6	180156	1	35" Granite Main Door Hinge Block ONLY
7	122705	2	Socket Mate to Split Pin
8	122626	1	15-Pin Cap Housing ONLY (M/L)

For models mfd. prior to December 15, 1994



Illus. No.	Part No.	Qty.	Description
1	313208	1	Main Door Switch Bracket ONLY
2	150415	2	#10-16 x 1/2" Phillips Round Head Crimptite Screw
3	152003	2	3/8-32 x 1/2" x 1/16" Door Switch Nut
4	136995	1	Door Switch ONLY (for models mfd. as of June 26, 1992)
	137006	1	Door Switch ONLY (for models mfd. prior to June 26, 1992)
5	121028	2	1/4" x .032 Insulated Terminal ONLY
6	180156	1	35" Granite Main Door Hinge Block ONLY (for models mfd. as of March 8, 1993)
	180155	1	35" Gray Main Door Hinge Block ONLY (models mfd. prior to March 8, 1993)
7	122705	2	Socket Mate to Split Pin
8	122626	1	15-Pin Cap Housing Only (M/L)

For models mfd. as of March 28, 1995

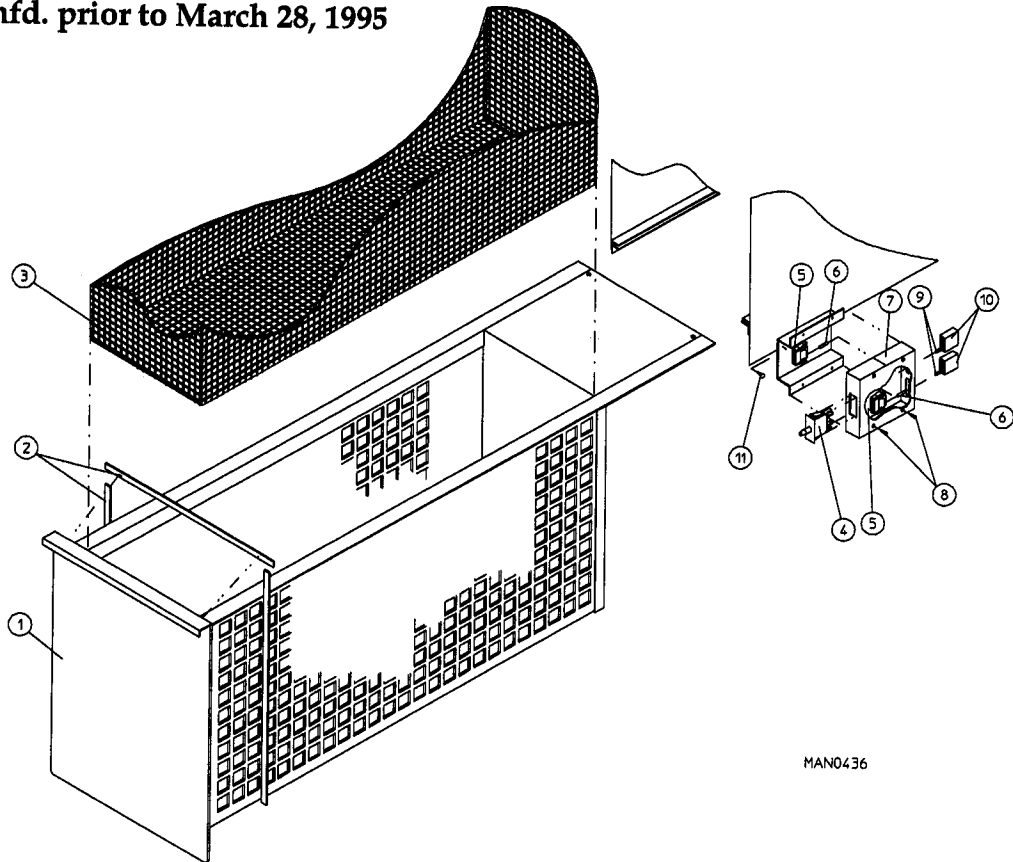


Illus. No.	Part No.	Qty.	Description
1	881141*	1	AD-120 Lint Drawer Assembly with Safety Switch Actuator Complete
	881142	1	AD-120 Stainless Steel Lint Drawer Assembly with Safety Switch Actuator Complete
2	820017	1	AD-120 Lint Screen Assembly ONLY
3	153532	2	#8-32 x 3/4" Clinch Stud
4	136992	1	AD-120 Lint Drawer Switch ONLY
5	153000	2	#8 Steel Burr
6	152001	2	#8-32 Hex Nut
7	122605	2	4-Pin Socket Connector ONLY
8	122701	4	Socket Terminal ONLY
	122801	1	Pin/Socket Extraction Tool
9	821119	1	Lint Drawer Switch Assembly Complete (includes illus. nos. 3 through 10)
	821116	1	Lint Drawer Switch Mounting Bracket Assembly ONLY (includes illus. nos. 3 and 4)
10	150415	2	#10-16 x 1/2" Phillips Round Head Crimpite Screw

\* Specify color when ordering.



For models mfd. prior to March 28, 1995

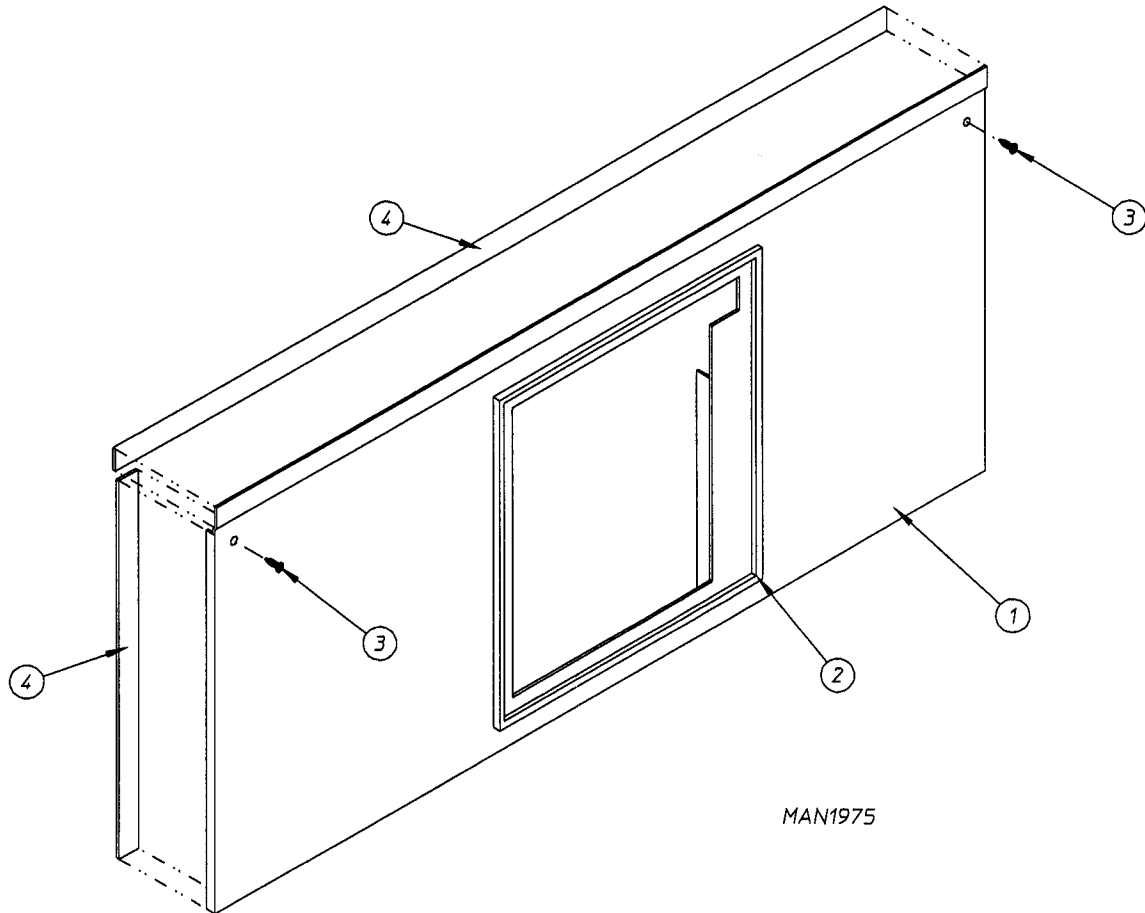


MAN0436

Illus. No.	Part No.	Qty.	Description
1*	820005	1	AD-120 Lint Drawer Assembly Complete (includes illus. nos. 1 and 2)
2	117602	5	Gasket (sold in feet)
3	820017	1	AD-120 Lint Screen Assembly ONLY
4	122116	1	Lint Drawer Switch ONLY
5	122605	2	4-Pin Socket Connector ONLY
6	122701	4	Socket Terminal ONLY
	122801	1	Pin/Socket Extraction Tool
7	800264	1	Lint Drawer Switch Box Assembly Complete (includes illus. nos. 4 through 7)
	304034	1	Lint Drawer Switch Box ONLY
8	150301	2	#8-18 x 7/16" Phillips Pan Head TEK Screw
9	122700	4	Pin Terminal ONLY
10	122604	2	4-Pin Connector ONLY
11	150301	2	#8-18 x 7/16" Phillips Pan Head TEK Screw

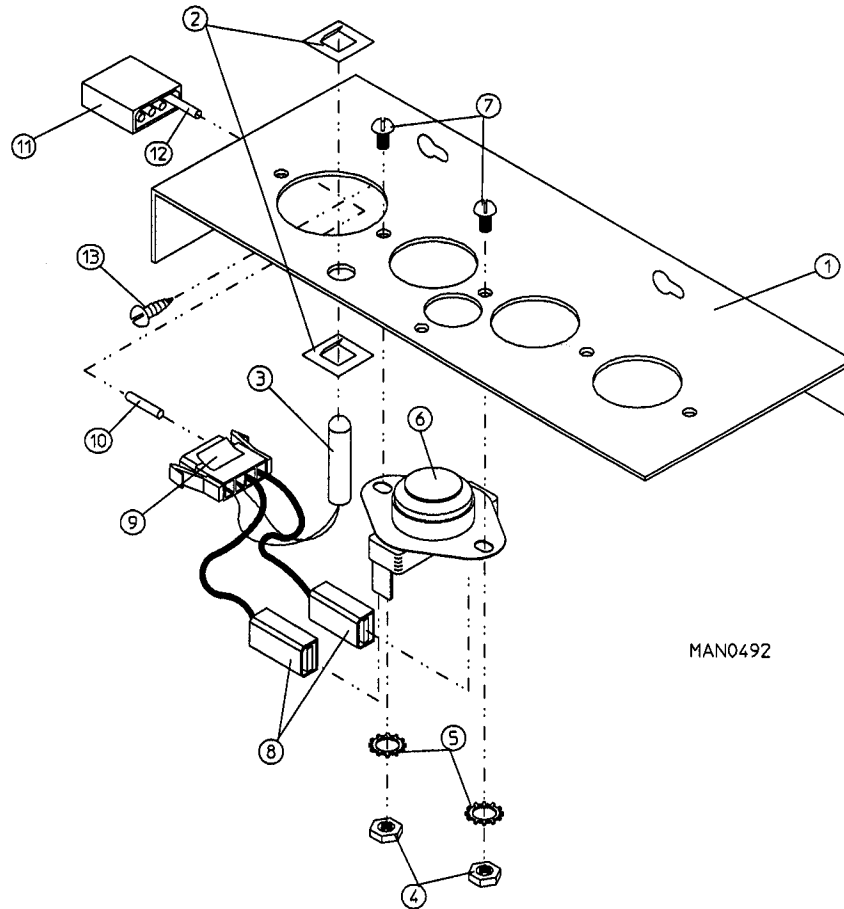
\* Specify color when ordering.

**NOTE:** Gasket used on models mfd. prior to December 1, 1994. For current gasket placement refer to AD-120 Drop Lint Door Assembly on page 16.



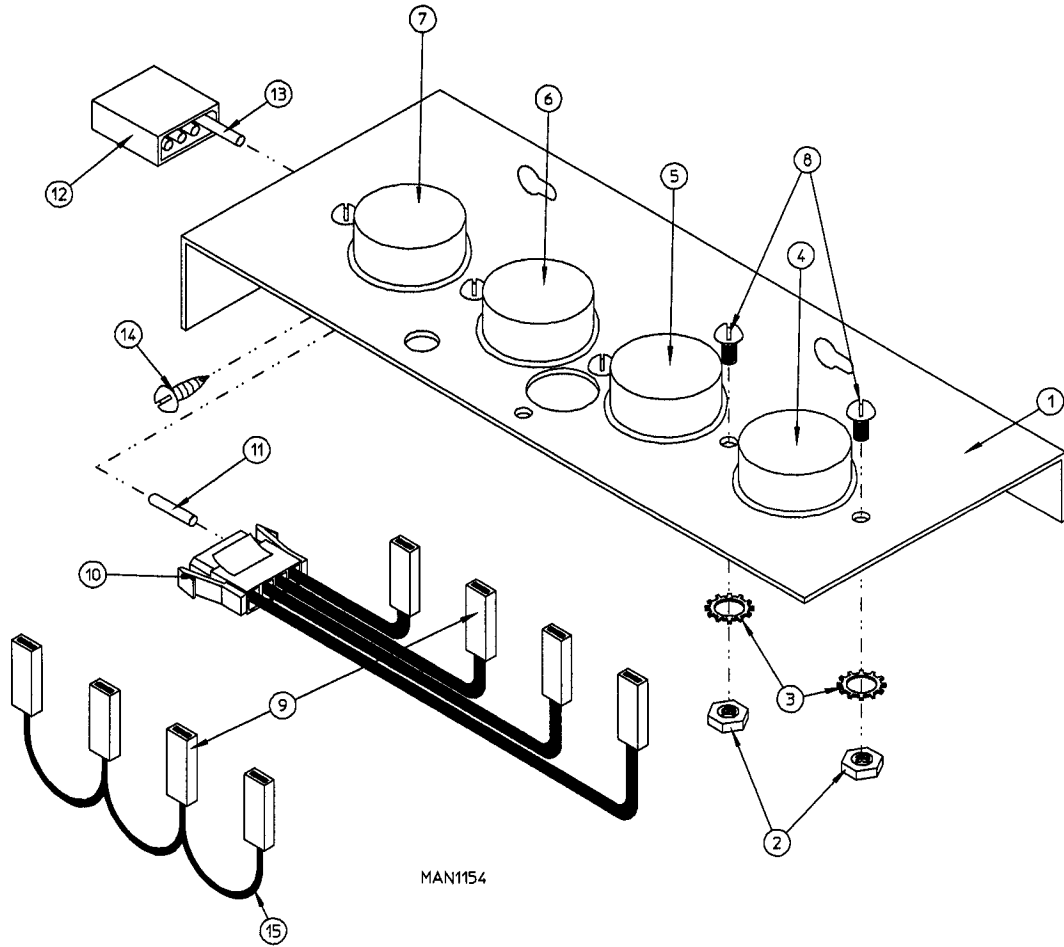
Illus. No.	Part No.	Qty.	Description
1	820015*	1	AD-120 Drop Lint Door Assembly (includes illus. nos. 1, 2, and 4)
	820021	1	AD-120 Stainless Steel Drop Lint Door Assembly (includes illus. nos. 1, 2, and 4)
2	117602	5	Gasket (sold in feet)
3	150415	5	#10-16 x 1/2" Phillips Round Head Crimptite Screw
4	117600	5	Noise Suppressor Tape (sold in feet)

\* Specify color when ordering.

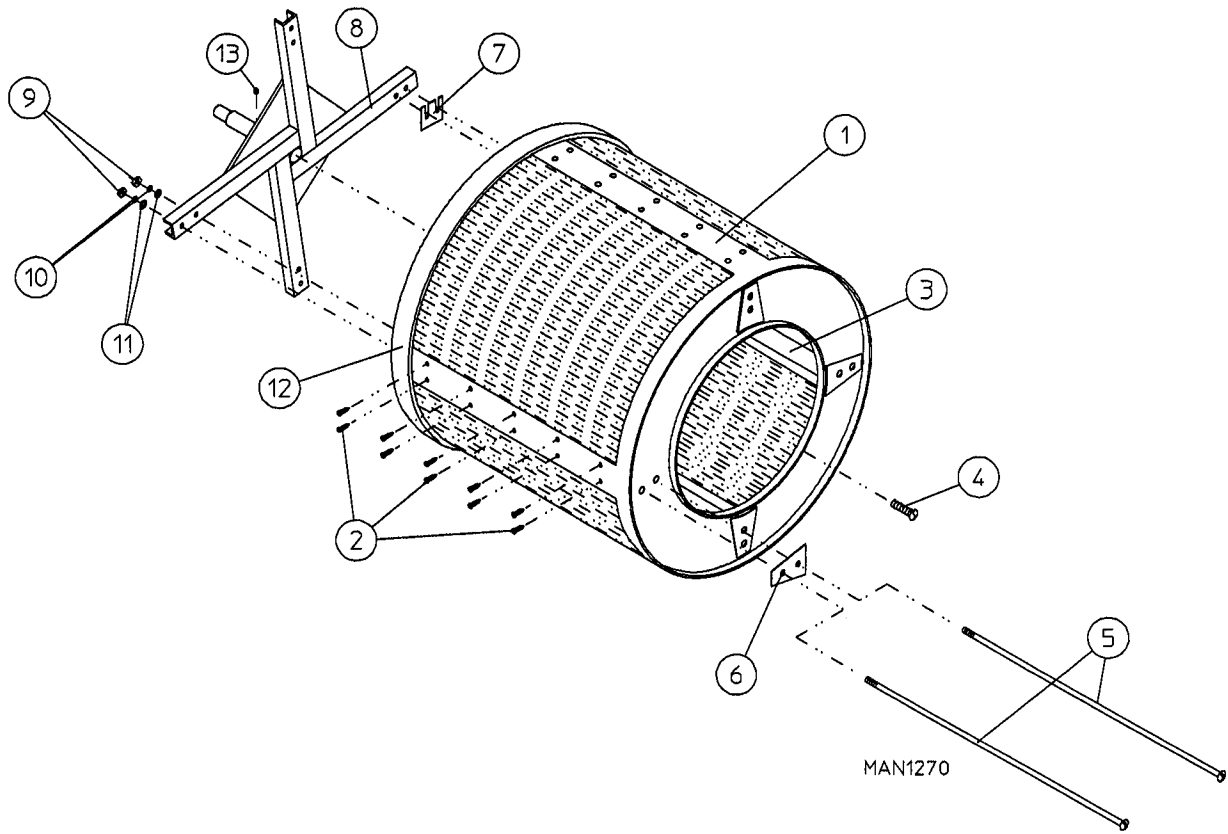


**Illus. No. Part No. Qty. Description**

1	820022	1	AD-120 Temperature Sensor Bracket Assembly Complete (includes illus. nos. 1 through 10)
	331295	1	AD-120 Temperature Sensor Bracket ONLY
2	154007	2	1/4" Tinnerman Push-on Fastener
3	880251	1	1/4" Temperature Sensor Probe Assembly (includes illus. nos. 2, 3, 8, 9, and 10)
4	152000	2	#6-32 Hex Nut
5	153010	2	#6 Star Washer
6	130112	1	225° Large Automatic Reset Thermostat ONLY
7	150000	2	#6-32 x 1/4" Round Head Machine Screw
8	121028	2	Insulated Terminal
9	122605	1	4-Pin Socket Connector ONLY
10	122701	4	Socket Terminal ONLY
11	122604	1	4-Pin Connector ONLY
12	122700	4	Pin Terminal ONLY
	122801	1	Pin/Socket Extraction Tool
13	150301	2	#8-18 x 7/16" Phillips Pan Head Screw



<u>Illus. No.</u>	<u>Part No.</u>	<u>Qty.</u>	<u>Description</u>
1	801404	1	ADG-120 Non-Microprocessor Sensor Bracket Assembly Complete (includes illus. nos. 1 through 11 and 15) For Gas and Electric Models ONLY
	880839	1	ADS-120 Non-Microprocessor Sensor Bracket Assembly Complete (includes illus. nos. 1 through 11 and 15) For Steam Models ONLY
	331295	1	AD-120 Sensor Bracket ONLY
2	152000	5	#6-32 Hex Nut
3	153010	5	#6 Star Washer
4	130101	1	180° Large Thermostat (for Gas Models and Electric Models ONLY)
	130104	1	215° Large Thermostat (for Steam Models ONLY)
5	130109	1	140° Large Thermostat (for Gas Models and Electric Models ONLY)
	130100	1	150° Large Thermostat (for Steam Models ONLY)
6	130107	1	160° Large Thermostat (for Gas Models and Electric Models ONLY)
	130101	1	180° Large Thermostat (for Steam Models ONLY)
7	130112	1	225° Large Automatic Reset Thermostat (for <b>ALL</b> Models)
8	150000	5	#6-32 x 1/4" Round Head Machine Screw
9	121028	8	Insulated Terminal
10	122605	1	4-Pin Socket (female) Connector ONLY
	840062	1	Sensor (4) Bracket Harness Assembly (includes illus. nos. 9, 10, and 11)
11	122701	4	Socket Terminal ONLY
12	122604	1	4-Pin Connector ONLY
13	122700	4	Pin Terminal ONLY
	122801	1	Pin/Socket Extraction Tool
14	150301	2	#8-18 x 7/16" Phillips Pan Head TEK Screw
15	840065	1	AD-120 Sensor Jumper (4) ONLY

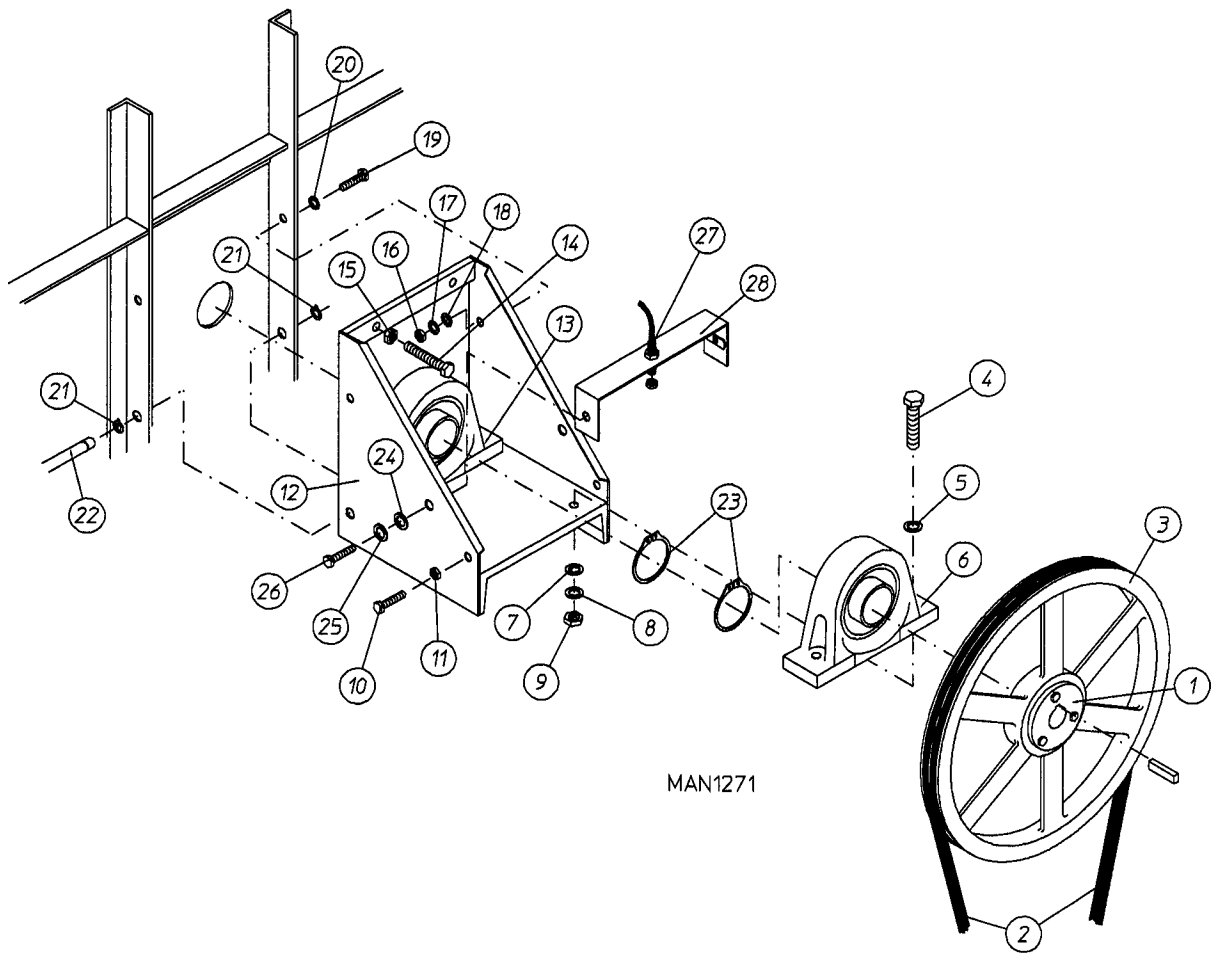


<u>Illus. No.</u>	<u>Part No.</u>	<u>Qty.</u>	<u>Description</u>
1	820110*	1	AD-120 Basket (Tumbler) ONLY without Felt Collar
	820111*	1	AD-120 Stainless Steel Basket (Tumbler) ONLY without Felt Collar
	820020	1	AD-120 Basket (Tumbler) and Support Assembly Complete (includes illus. nos. 1 through 12)
	820052	1	AD-120 Basket (Tumbler) and Support Assembly Complete with Rotation Sensor Option (includes illus. nos. 1 through 12)
	820030	1	AD-120 Stainless Steel Basket (Tumbler) and Support Assembly Complete (includes illus. nos. 1 through 12)
	820029	1	AD-120 Stainless Steel Basket and Support Assembly Complete with Rotation Sensor Option (includes illus. nos. 1 through 12)
2	150415	40	#10-16 x 1/2" Phillips Round Head Crimptite Screw
3	331105	4	AD-120 Basket (Tumbler) Rib ONLY
	331106	4	AD-120 Stainless Steel (Tumbler) Basket Rib ONLY
4	150500	1	5/16-18 x 3/4" Socket Button Head Screw
5	100910	8	1/2-13 x 44" Tie Rod
	100908**	8	7/16-14 x 44" Tie Rod
6	301700	4	Basket (Tumbler) Reinforcing Plate ONLY
7	301701	***	AD-120 Basket (Tumbler) Shim ONLY
8	820115	1	AD-120 Basket (Tumbler) Support ONLY
	820116	1	AD-120 Basket (Tumbler) Support ONLY with Rotation Sensor Option
9	152011	8	#1/2-13 Hex Nut
	152009**	8	#7/16-14 Hex Nut
10	153026	8	1/2" Lock washer
	153013**	8	7/16" Lock Washer
11	153011	8	9/16" Flat Washer
	152014**	8	7/16" Flat Washer
12	116006	1	Felt Collar ONLY
	401010	1	#847 Adhesive for Felt Collar (5 oz. tube)
13	821002	1	Rotational Magnet Holder Assembly (for microprocessor models with optional Rotation Sensor)

\* Felt collar not included and **must be ordered** separately.

\*\* For models mfd. prior to June 27, 1994.

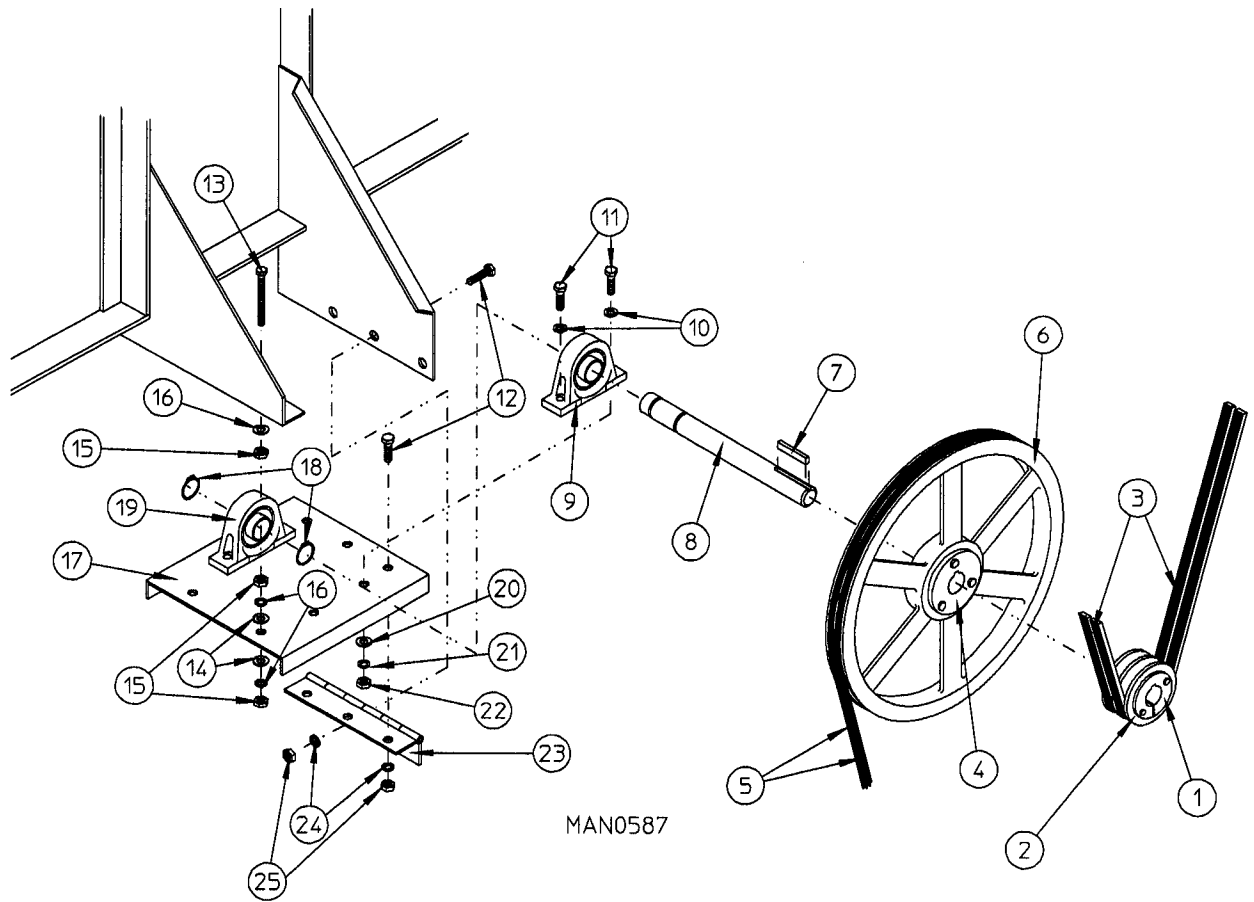
\*\*\* As required.





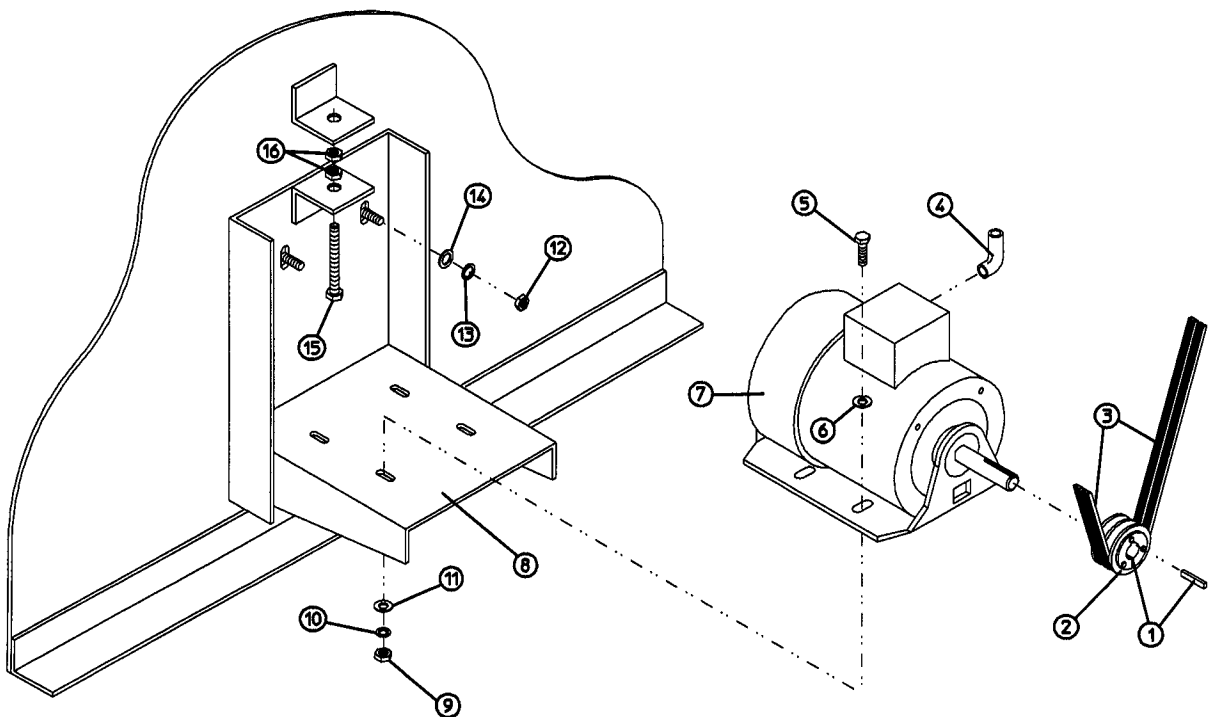
<u>Illus. No.</u>	<u>Part No.</u>	<u>Qty.</u>	<u>Description</u>
1	101137	1	2-1/4" SFX Bushing
2*	100135	2	AP74 "V" Belt
3	101136	1	AD-120 20" Basket (Tumbler) Pulley
4	150602	4	#5/8-11 x 3" Hex Head Machine Bolt
5	153016	4	5/8" Flat Washer
6	100204	1	2-1/4" Pillow Block Bearing ONLY
7	153016	4	5/8" Flat Washer
8	153015	4	5/8" Lock Washer
9	152010	4	#5/8-11 Hex Nut
10	150600	2	#3/8-16 x 1-1/2" Hex Head Machine Bolt
11	152005	2	#3/8-16 Hex Nut
12	801102	1	AD-120 Tumbler Bearing Mount Assembly (includes illus. nos. 4 through 13)
13	100204	1	2-1/4" Pillow Block Bearing ONLY
14	150603	2	#1/2-13 x 3" Square Head Machine Bolt
15	152011	2	#1/2-13 Hex Nut
16	152005	2	#3/8-16 Hex Nut
17	153005	2	3/8" Lock Washer
18	153004	4	3/8" Flat Washer
19	150600	2	#3/8-16 x 1-1/2" Hex Head Machine Bolt
20	153004	2	3/8" Flat Washer
21	100801	2	5/8" Retaining Ring
22	301810	1	AD-120 (5/8") Hinge Pin
23	100811	2	2-1/4" Retaining Ring
24	153018	2	1/4" Flat Washer
25	153007	2	1/4" Lock Washer
26	150512	2	#1/4-20 x 1/2" Hex Head Machine Bolt
27	824807	1	Rotational Sensor Assembly
28	880841	1	Rotational Sensor Mounting Bracket

\* Replace in matched sets (both belts).



<u>Illus. No.</u>	<u>Part No.</u>	<u>Qty.</u>	<u>Description</u>
1	101110	1	1" Bushing
2	101113	1	2A3.0 Pulley
3*	100135	2	AP74 "V" Belt
4	101107	1	1" SK Bushing
5*	100102	2	3V740 "V" Belt
6	101112	1	AD-120 19" Idler Pulley
7	100715	1	1/4" x 1/4" x 4-5/8" Key
8	301852	1	AD-120 1" Idler Shaft ONLY
9	100205	1	1" Pillow Block Bearing ONLY
10	153004	4	3/8" Flat Washer
11	150600	4	#3/8-16 x 1-1/2" Hex Head Machine Bolt
12	150512	6	#1/4-20 x 1/2" Hex Head Machine Bolt
13	150509	2	#5/16-18 x 3" Hex Head Machine Bolt
14	153001	4	5/16" Flat Washer
15	152004	6	#5/16-18 Hex Nut
16	153002	8	5/16" Lock Washer
17	801001	1	AD-120 Idler Bearing Mount Assembly Complete (includes illus. nos. 8 through 11 and 17 through 25)
	311401	1	AD-120 Idler Bearing Mount ONLY
18	100800	2	1" Retaining Ring
19	100205	1	1" Pillow Block Bearing ONLY
20	153004	4	3/8" Flat Washer
21	153005	4	3/8" Lock Washer
22	152005	4	#3/8-16 Hex Nut
23	103005	1	AD-120 Idler Adjustment Hinge ONLY
24	153007	6	1/4" Lock Washer
25	152002	6	#1/4-20 Hex Nut

\* Replace in matched sets (both belts).



MAN0329

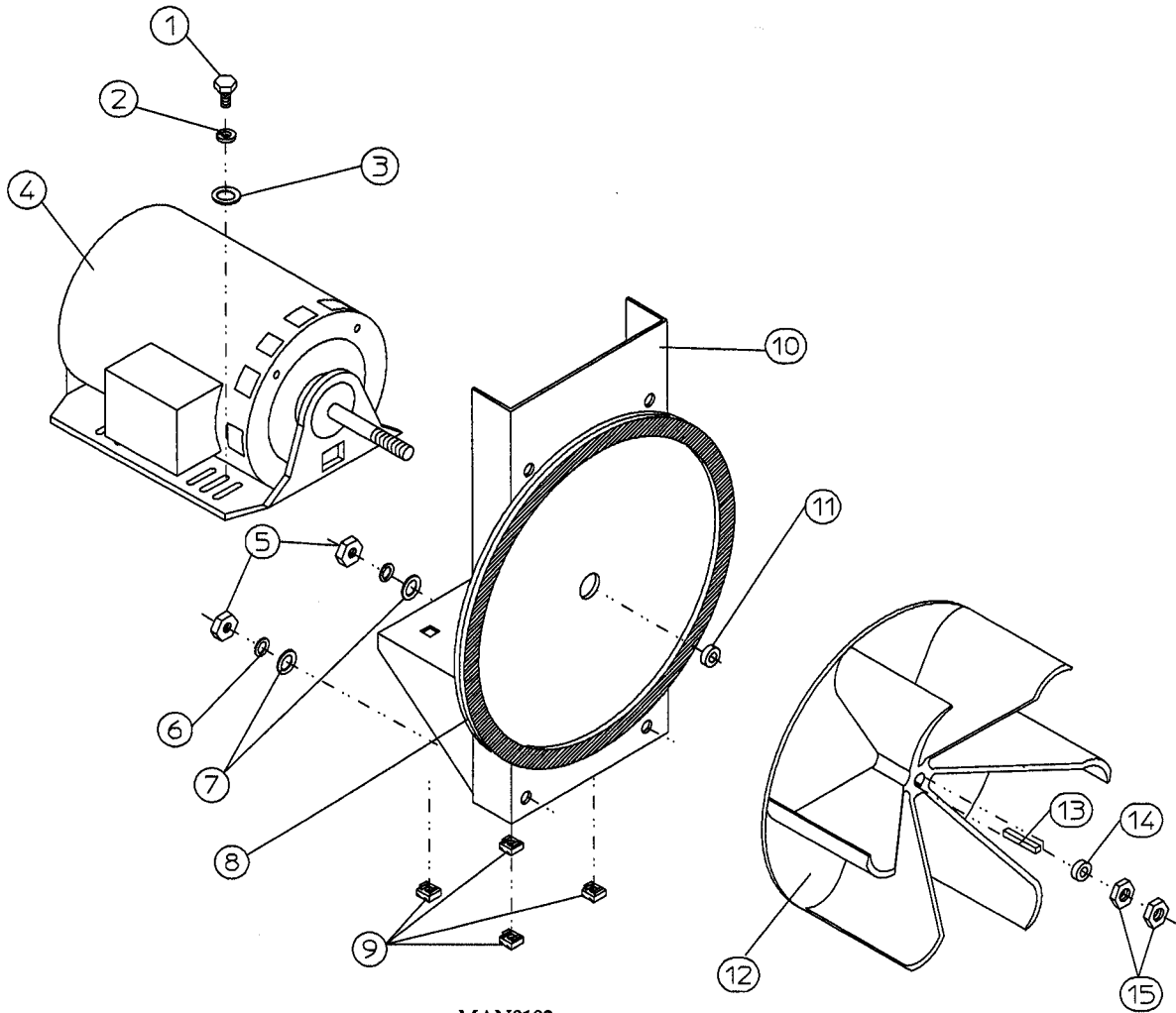
<u>Illus. No.</u>	<u>Part No.</u>	<u>Qty.</u>	<u>Description</u>
1	101121	1	5/8" SK Bushing
2	101114	1	2.65" Pulley (for 60 Hz Models ONLY)
	101120	1	3.15" Pulley (for 50 Hz Models ONLY)
3*	100102	2	3V740 "V" Belt
4	120200	1	3/8" x 90° Connector
5	150501	4	#5/16-18 x 3/4" Hex Head Machine Bolt
6	153001	4	5/16" Flat Washer
7	100029	1	3/4 HP 208/230/380/460v 50/60Hz 3ø T.E.F.C. Motor (56Z frame)
8	800952	1	AD-120 Basket (Tumbler) Motor Mount Only (56Z frame)
	800953**	1	AD-120 (60 Hz) T.E.F.C. Basket (Tumbler) Motor Mount Assembly Complete (includes illus. nos. 1, 2, 4 through 11, 15, and 16)
	800955**	1	AD-120 (50 Hz) T.E.F.C. Basket (Tumbler) Motor Mount Assembly Complete (includes illus. nos. 1, 2, 4 through 11, 15, and 16)
9	152004	4	#5/16-18 Hex Nut
10	153002	4	5/16" Lock Washer
11	153001	4	5/16" Flat Washer
12	152004	4	#5/16-18 Hex Nut
13	153002	4	5/16" Lock Washer
14	153001	4	5/16" Flat Washer
15	150619	1	#3/18-16 x 3" Hex Head Machine Bolt
16	152005	2	#3/8-16 Hex Nut

\* Replace in matched sets (both belts).

\*\* Specify voltage when ordering.

**IMPORTANT:** For voltages higher than 460 VAC, contact the factory for correct part number of motor or motor mount assembly.

For Gas and Steam Models ONLY



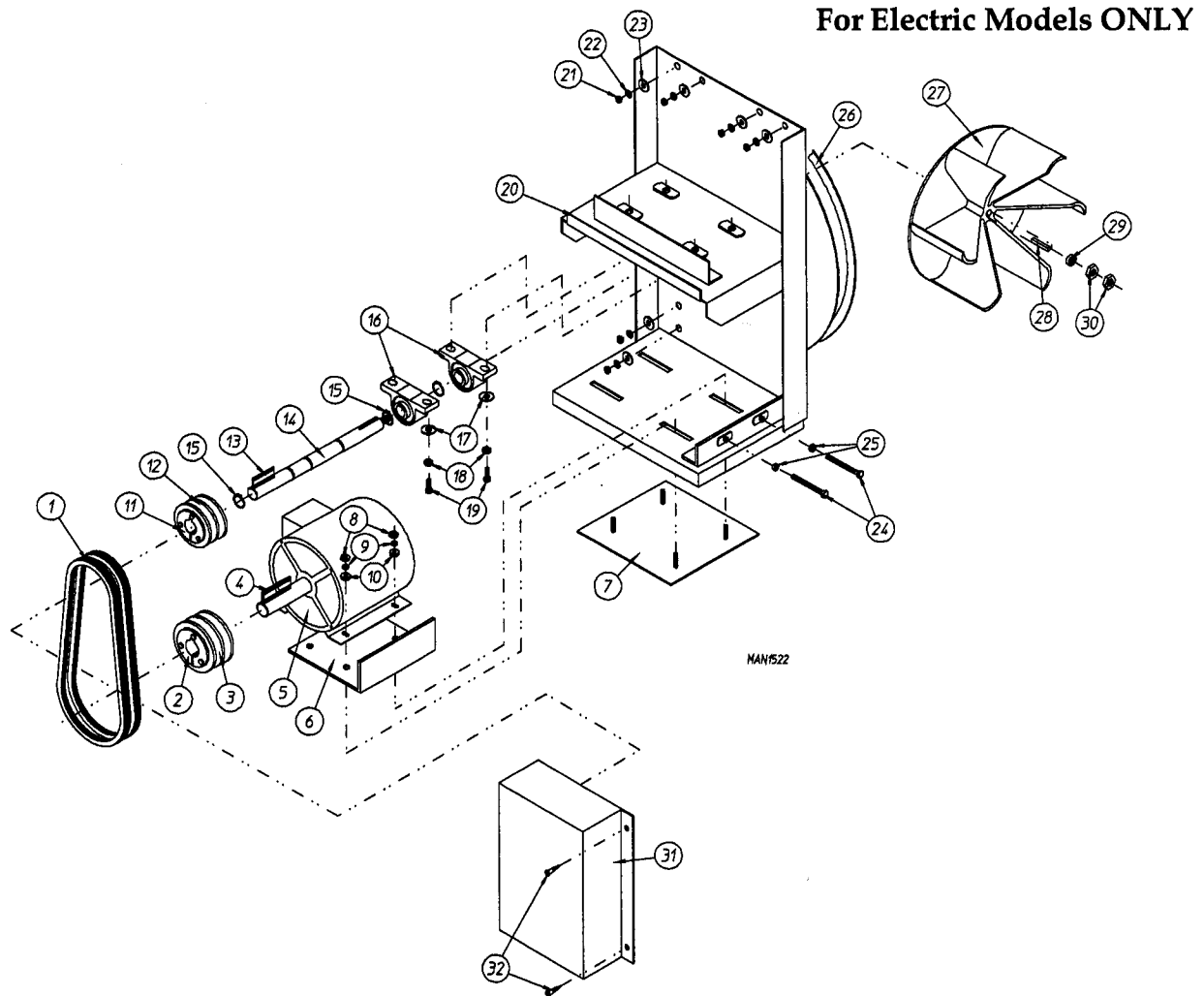
**For Gas and Steam Models ONLY**

<u>Illus. No.</u>	<u>Part No.</u>	<u>Qty.</u>	<u>Description</u>
1	150501	4	#5/16-18 x 3/4" Hex Head Machine Bolt
2	153002	4	5/16" Lock Washer
3	153001	4	5/16" Flat Washer
4*	100023	1	3HP 208/230/460v 50/60Hz 3ø Motor (56Z frame)
5	152004	4	#5/16-18 Hex Nut
6	153002	4	5/16" Lock Washer
7	153001	4	5/16" Flat Washer
8	117600	4	Noise Suppressor Tape (sold in feet)
9	154000	4	#5/16-18 Tinnerman Nut
10	800913	1	3HP Blower Motor Mount Assembly Only (56Z frame)
	803892*	1	3HP Blower Motor Mount Assembly Complete (includes illus. nos. 1 through 4, and 8 through 15)
11	153055	1	5/8" Motor Washer
12	100605	1	13" Magnesium Impellor (Blower/Fan)
13	100705	1	3/16" x 3/16" x 1-3/8" Key
14	153055	**	5/8" Motor Washer
15	152006	2	#1/2-20 Left Hand Jam Nut

\* Specify voltage when ordering.

\*\* As required.

**IMPORTANT:** For voltages higher than 460 VAC, contact the factory for correct part number of motor or motor mount assembly.



Illus. No.	Part No.	Qty.	Description
1*	100119	2	5L 320 "V" Belt (for 60 Hz Models <b>ONLY</b> )
	100118	2	5L 310 "V" Belt (for 50 Hz Models <b>ONLY</b> )
2	101138	1	SDS x 1-1/8" Bushing
3	101135	1	2B x 5.4 Pulley (for 72 Kw Electric Oven Models <b>ONLY</b> )
	101185	1	2B x 6.2 Pulley (for 80 Kw Electric Oven Models <b>ONLY</b> )
4	100706	1	5/16" x 5/16" x 1-3/8" Key
5	100043	1	3 HP 208/230/460v 60Hz and 380/416v 50Hz <b>ONLY</b> 3ø Motor
	100081	1	3 HP 220v 50Hz 3ø Motor
6	332198	1	AD-120 Motor Adjustment Plate
7	821012	1	AD-120 Motor Bolt Plate Assembly
8	152005	4	#3/8-16 Hex Nut
9	153005	4	3/8" Lock Washer
10	153004	4	3/8" Flat Washer
11	101194	1	SDS x 1-3/8" Bushing (for 60 Hz Models <b>ONLY</b> )
	101152	1	SH x 1-3/8" Busing (for 50 Hz Models <b>ONLY</b> )
12	101147	1	2B x 4.8 Pulley (for 60 Hz Models <b>ONLY</b> )
	101148	1	2B x 4.0 Pulley (for 50 Hz Models <b>ONLY</b> )



## For Electric Models ONLY

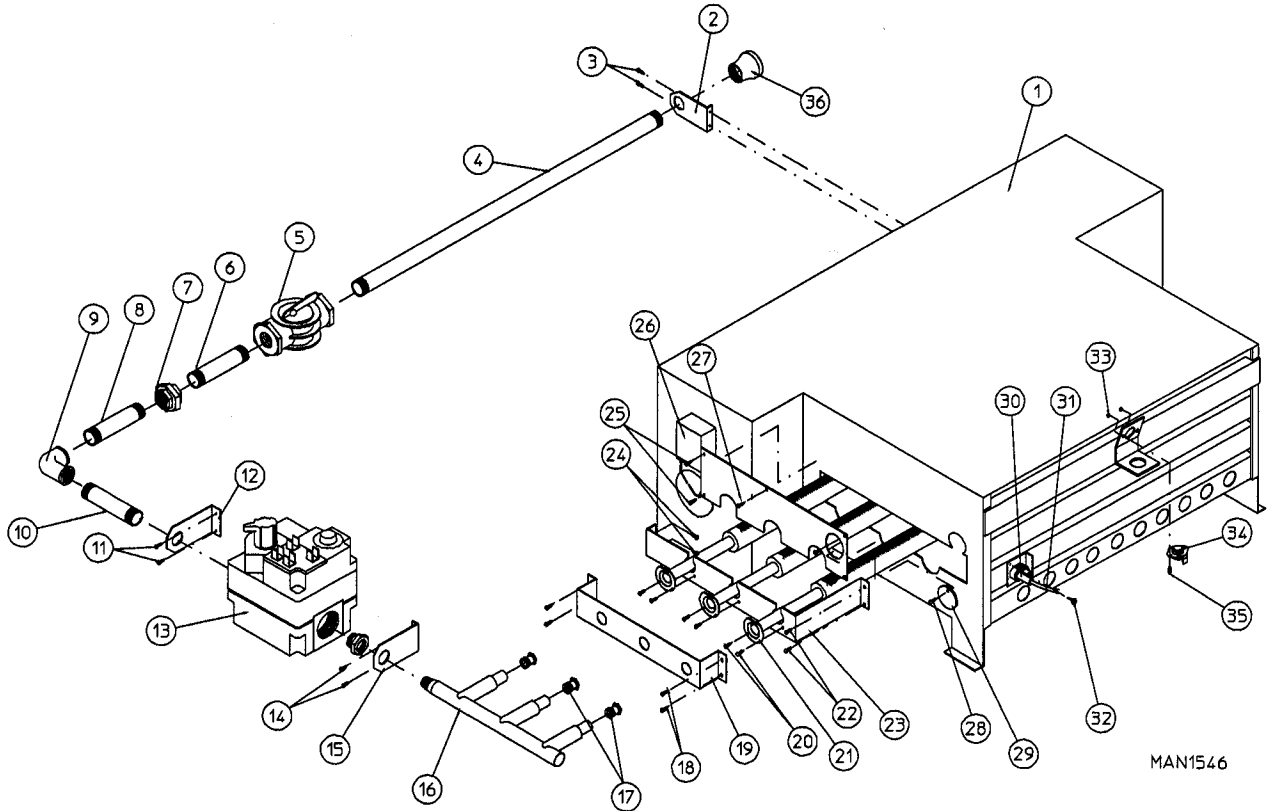
<u>Illus. No.</u>	<u>Part No.</u>	<u>Qty.</u>	<u>Description</u>
13	100706	1	5/16" x 5/16" x 1-3/8" Key
14	317400	1	Shouldered Impellor (Blower/Fan) Shaft
15	100802	2	1-3/8" Retaining Ring
16	880709	2	1-3/8" Pillow Block Bearing (includes Set Screws and Grease Fitting) For models mfd. as of March 20, 1995
	154326	4	5/16" x 3/8" Allen Set Screw ONLY
	170511	2	#1/8-27 N.P.T. Grease Fitting ONLY
17	153004	4	3/8" Flat Washer
18	153005	4	3/8" Lock Washer
19	150601	4	#3/8-16 x 2" Hex Head Machine Bolt
20	850480	1	AD-120 Blower Motor Mount ONLY
	820350**	1	ADE-120 - 72 Kw Motor Mount Assembly Complete (includes illus. nos. 1 through 20 and 24 through 32) <b>For 60 Hz Models ONLY</b>
	820351**	1	ADE-120 - 72 Kw Motor Mount Assembly Complete (includes illus. nos. 1 through 20 and 24 through 32) <b>For 380/416v 50 Hz Models ONLY</b>
	820252	1	ADE-120 - 72 Kw Motor Mount Assembly Complete (includes illus. nos. 1 through 20 and 24 through 32) <b>For 220v 50 Hz Models ONLY</b>
	820959**	1	ADE-120 - 72 Kw Motor Mount Assembly Complete (includes illus. nos. 1 through 20 and 24 through 32) <b>For 60 Hz Models ONLY</b>
	820960**	1	ADE-120 - 80 Kw Motor Mount Assembly Complete (includes illus. nos. 1 through 20 and 24 through 32) <b>For 380/416v 50 Hz Models ONLY</b>
	820254	1	ADE-120 - 80 Kw Motor Mount Assembly Complete (includes illus. nos. 1 through 20 and 24 through 32) <b>For 220v 50 Hz Models ONLY</b>
21	152005	8	#3/8-16 Hex Nut
22	153005	8	3/8" Lock Washer
23	153004	8	3/8" Flat Washer
24	150609	2	#1/2-13 x 4-1/2" Hex Head Machine Bolt
25	152011	2	#1/2-13 Hex Nut
26	117600	4	Noise Suppressor Tape (sold in feet)
27	100603	1	16" Impellor (Blower/Fan) with 3/4" Bore
28	100714	1	3/16" x 3/16" x 1-7/8" Key
29	153050	1	1/2" Flat Washer
30	152006	2	#1/2-20 Left Hand Jam Nut
31	820379	1	AD-120 Blower Motor Belt Guard
32	150415	4	#10-16 x 1/2" Phillips Round Head Crimptite Screw

\* Replace in matched sets (both belts).

\*\* Specify voltage when ordering.

**IMPORTANT:** For voltages higher than 460 VAC - 50 Hz, contact the factory for correct part number for motor or motor mount assembly.

For ALL Gas Models mfd. with the 3/4" White-Rodgers Gas Valve as of October 8, 1993



**For ALL CURRENT PRODUCTION ADG-120 DRYERS**  
**EXCLUDING CSA/CANADA MODELS ONLY**

Illus. Nos.	Part No.	Qty.	Description
1	880874*	1	ADG-120 DSI Natural Gas Burner Assembly Complete less Orifices (includes illus. nos. 1 through 16 and 18 through 36)
	820201	1	ADG-120 Burner Box ONLY
2	331291	1	ADG-120 Pipe Bracket
3	150415	2	#10-16 x 1/2" Phillips Round Head Crimptite Screw
4	142813	1	3/4" x 33-1/2" Nipple
5	141300	1	3/4" Union Shutoff
6	142701	1	3/4" Closed Nipple
7	142601	1	3/4" Union
8	142710	1	3/4" x 4" Nipple
9	142504	1	3/4" x 90° Elbow
10	142734	1	3/4" x 5-1/2" Nipple

For ALL Gas Models mfd. with the 3/4" White-Rodgers Gas Valve as of October 8, 1993

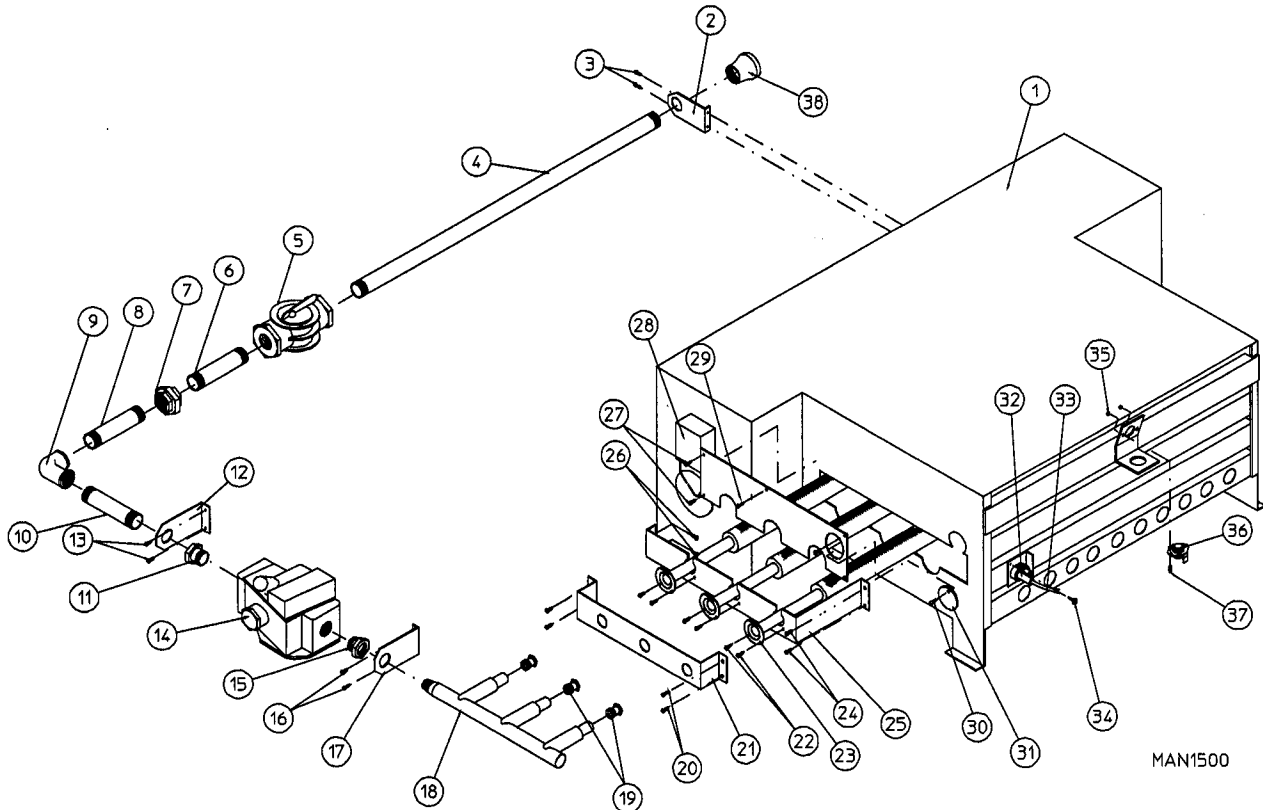
<u>Illus. No.</u>	<u>Part No.</u>	<u>Qty.</u>	<u>Description</u>
11	150415	2	#10-16 x 1/2" Phillips Round Head Crimptite Screw
12	354030	1	ADG-120 Gas Valve Straight Pipe Bracket
13**	140026	1	3/4" DSI 24 VAC Redundant (natural gas) Gas Valve (3/4" to 1/2" Reducing Bushing included with Gas Valve)
	140411	-	24 VAC Gas Valve L.P. (liquid propane) Conversion Kit
14	150415	2	#10-16 x 1/2" Phillips Round Head Crimptite Screw
15	331291	1	ADG-120 Gas Valve Pipe Bracket
16	141208	1	3-Port Manifold
17***	140832	3	#4 Burner Orifice (natural gas) ONLY
	140819	3	#30 Burner Orifice (liquid propane gas) ONLY
18	150415	4	#10-16 x 1/2" Phillips Round Head Crimptite Screw
19	331288	1	ADG-120 Manifold Support ONLY
20	150415	6	#10-16 x 1/2" Phillips Round Head Crimptite Screw
21	881492	3	ADG-120 Burner Tube ONLY
22	150415	2	#10-16 x 1/2" Phillips Round Head Crimptite Screw
23	331287	1	ADG-120 Burner Tube Support ONLY
24	150415	2	#10-16 x 1/2" Phillips Round Head Crimptite Screw
25	150415	6	#10-16 x 1/2" Phillips Round Head Crimptite Screw
26	-----	1	Sail Switch (refer to <b>Sail Switch Assembly</b> on <b>page 37</b> )
27	331289	1	ADG-120 Burner Box Cover Plate ONLY
28	150415	1	#10-16 x 1/2" Phillips Round Hand Crimptite Screw
29	331290	1	ADG-120 Ignitor/Flame-Probe Sight Hole Disc ONLY
30	880325	1	ADG-120 Ignitor/Flame-Probe Assembly Kit (includes high voltage [HV] wire and connector)
	305410	1	DSI Ignitor Gap Feeler Gauge ... Not Illustrated
31	880330	1	DSI Ignitor HV Wire/Connector Only
32	150415	2	#10-16 x 1/2" Phillips Round Head Crimptite Screw
33	151000	2	#6-32 Pal Nut
34	130401	1	330° Hi-Limit ONLY
35	150001	2	#6-32 x 1/2" Round Head Machine Screw
36	142924	1	1" to 3/4" Reducing Coupling
---	880886**	1	ADG-120 (3/4" White-Rodgers Gas Valve) DSI L.P. Conversion Kit

\* Orifices are not included and **must be ordered separately.**

\*\* For ADG-120 models manufactured with the 3/4" (White-Rodgers) DSI 24 VAC Redundant Gas Valve, **EXCLUDING ALL CSA/CANADA MODELS.**

\*\*\* Consult factory for elevations over 2,000 feet.

For ALL Gas Models mfd. with the 1" Robershaw Gas Valve Prior to October 8, 1993



For ALL CURRENT PRODUCTION CSA/CANADA MODELS ONLY

<u>Illus. Nos.</u>	<u>Part No.</u>	<u>Qty.</u>	<u>Description</u>
1	820125*	1	ADG-120 DSI Natural Gas Burner Assembly Complete less Orifices (includes illus. nos. 1 through 18, and 20 through 37)
	880846*	1	ADG-120 DSI L.P. Burner Assembly Complete less Orifices (includes illus. nos. 1 through 18, and 20 through 37)
	820201	1	ADG-120 Burner Box ONLY
2	318364	1	ADG-120 Pipe Bracket
3	150415	2	#10-16 x 1/2" Phillips Round Head Crimpite Screw
4	142821	1	3/4" x 36" Nipple
5	141300	1	3/4" Union Shutoff
6	142701	1	3/4" Close Nipple
7	142601	1	3/4" Union
8	142701	1	3/4" Close Nipple
9	142504	1	3/4" x 90° Elbow
10	142709	1	3/4" x 2" Nipple

For ALL Gas Models mfd. with the 1" Robershaw Gas Valve Prior to October 8, 1993

<u>Illus. No.</u>	<u>Part No.</u>	<u>Qty.</u>	<u>Description</u>
11	142916	1	1" to 3/4" Reducing Bushing
12	331291	1	ADG-120 Gas Valve Pipe Bracket
13	150415	2	#10-16 x 1/2" Phillips Round Head Crimptite Screw
14**	140017***	1	DSI 1" 24 VAC Redundant (natural gas) Gas Valve
	140018	1	1" 24 VAC Gas Valve L.P. (liquid propane) Conversion Kit
15	142911	1	1" to 1/2" Reducing Bushing
16	150415	2	#10-16 x 1/2" Phillips Round Head Crimptite Screw
17	331291	1	ADG-120 Gas Valve Pipe Bracket
18	141208	1	3-Port Manifold
19****	140832	3	#4 Burner Orifice (natural gas) ONLY
	140819	3	#30 Burner Orifice (liquid propane gas) ONLY
20	150415	4	#10-16 x 1/2" Phillips Round Head Crimptite Screw
21	331288	1	ADG-120 Manifold Support ONLY
22	150415	6	#10-16 x 1/2" Phillips Round Head Crimptite Screw
23	881492	3	ADG-120 Burner Tube ONLY
24	150415	2	#10-16 x 1/2" Phillips Round Head Crimptite Screw
25	331287	1	ADG-120 Burner Tube Support ONLY
26	150415	2	#10-16 x 1/2" Phillips Round Head Crimptite Screw
27	150415	6	#10-16 x 1/2" Phillips Round Crimptite Screw
28	-----	1	Sail Switch (refer to <b>Sail Switch Assembly</b> on <b>page 37</b> )
29	331289	1	ADG-120 Burner Box Cover Plate ONLY
30	150415	1	#10-16 x 1/2" Phillips Round Head Crimptite Screw
31	331290	1	ADG-120 Ignitor/Flame-Probe Sight Hole Disc ONLY
32	880325	1	ADG-120 Ignitor/Flame-Probe Assembly Kit (includes high voltage [HV] wire and connector)
	305410	1	DSI Ignitor Gap Feeler Gauge ... Not Illustrated
33	880330	1	DSI Ignitor HV Wire/Connector ONLY
34	150415	2	#10-16 x 1/2" Phillips Round Head Crimptite Screw
35	151000	2	#6-32 Pal Nut
36	130401	1	330° Hi-Limit ONLY
37	150001	2	#6-32 x 1/2" Round Machine Screw
38	142924	1	1" to 3/4" Reducing Coupling (for models mfd. as of August 23, 1993)
---	880491****	1	ADG-120 (1" Robertshaw Gas Valve) DSI L.P. Conversion Kit

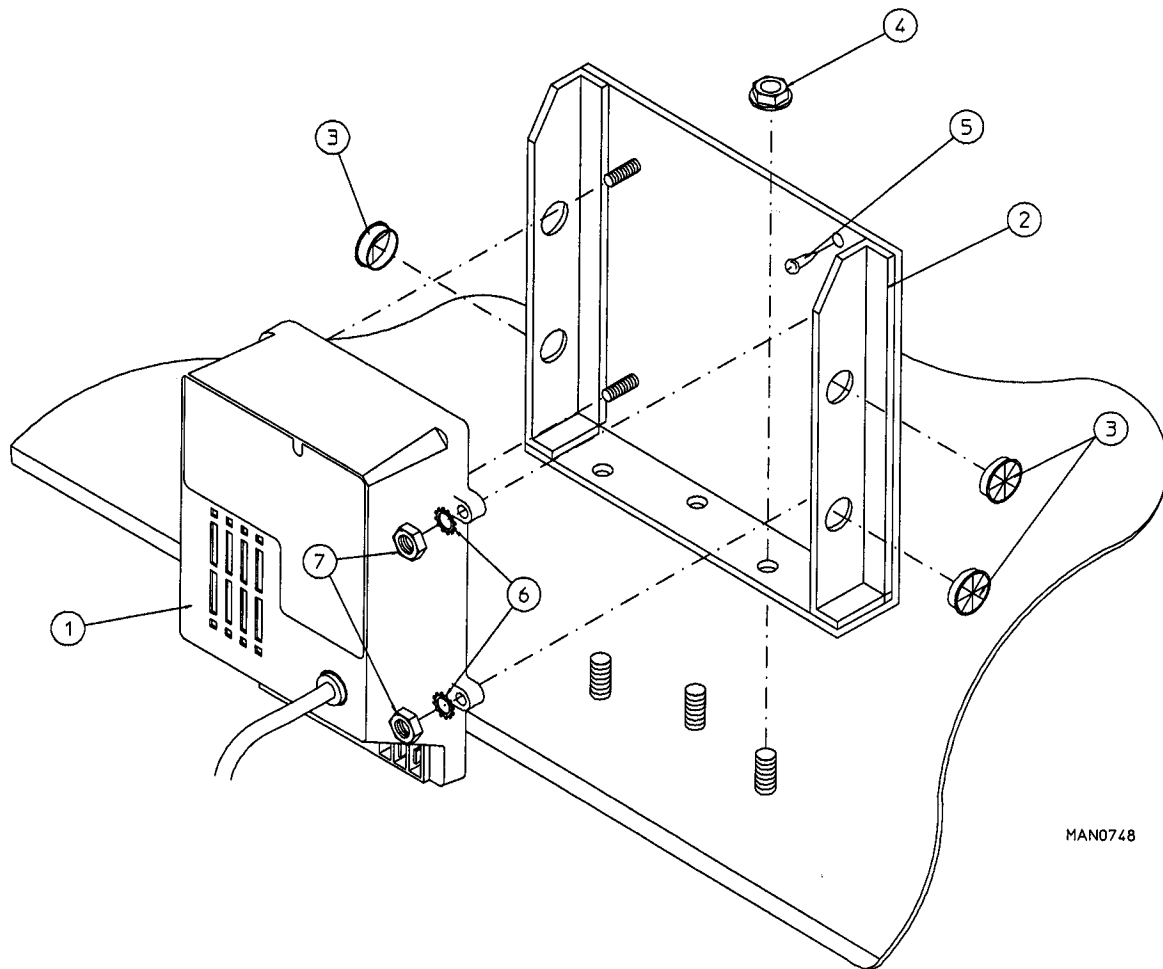
\* Orifices not included and must be ordered separately.

\*\* For models built with the 1" Robertshaw gas valve manufactured prior to October 8, 1993.

\*\*\* For ALL CURRENT PRODUCTION CSA/CANADA MODELS ONLY.

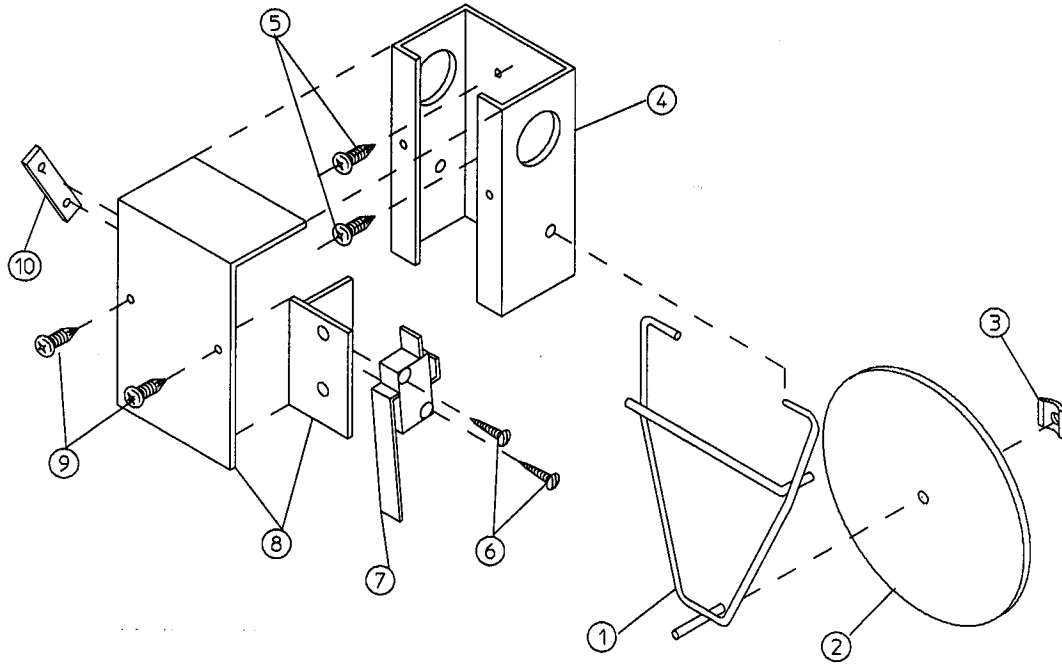
\*\*\*\* Consult factory for elevations over 2,000 feet.

For Gas Models ONLY



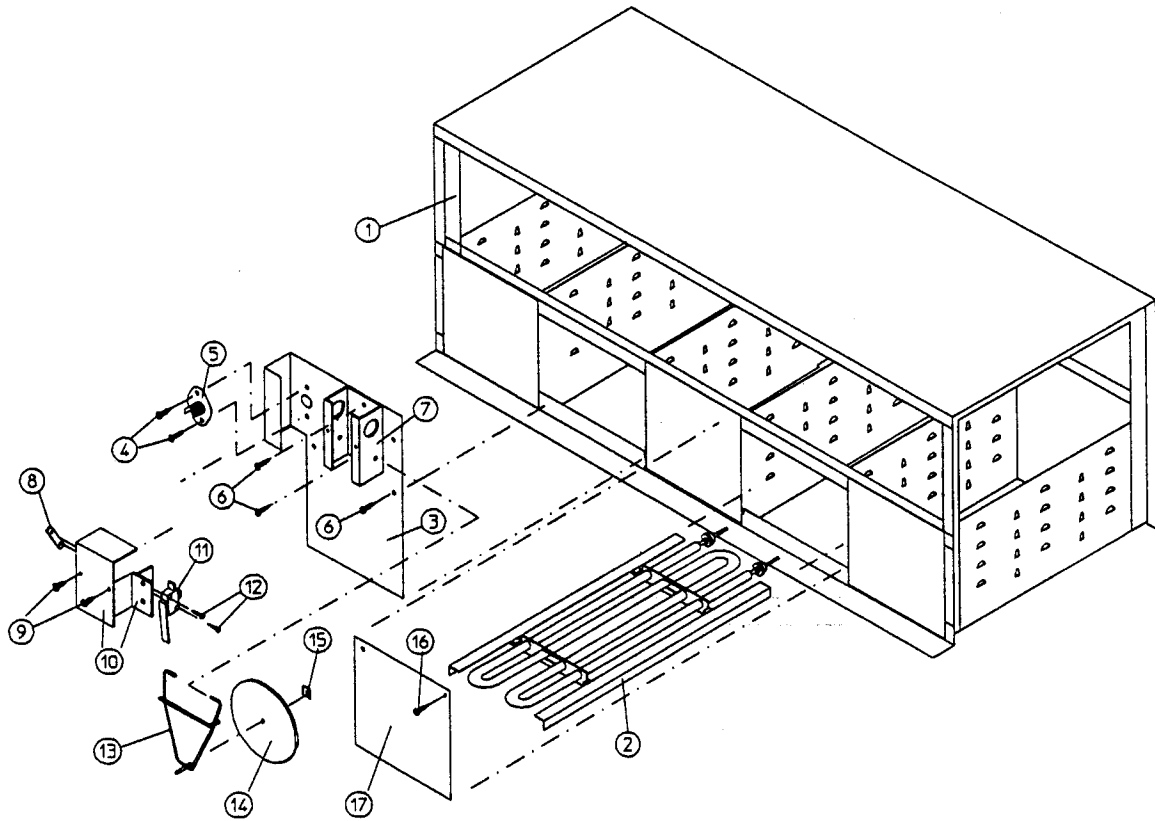
Illus. No.	Part No.	Qty.	Description
------------	----------	------	-------------

1	880815	1	ADC DSI Module ONLY - 50/60 Hz
2	820100	1	ADG-120 DSI Module Mount Assembly ONLY
3	121400	3	Universal Bushing
4	152014	3	1/4-20 Free Spin Wash Nut
5	150301	1	#8-18 x 7/16" Phillips Pan Head TEK Screw
6	153010	4	#6 Star Washer
7	152000	4	#6-32 Hex Nut

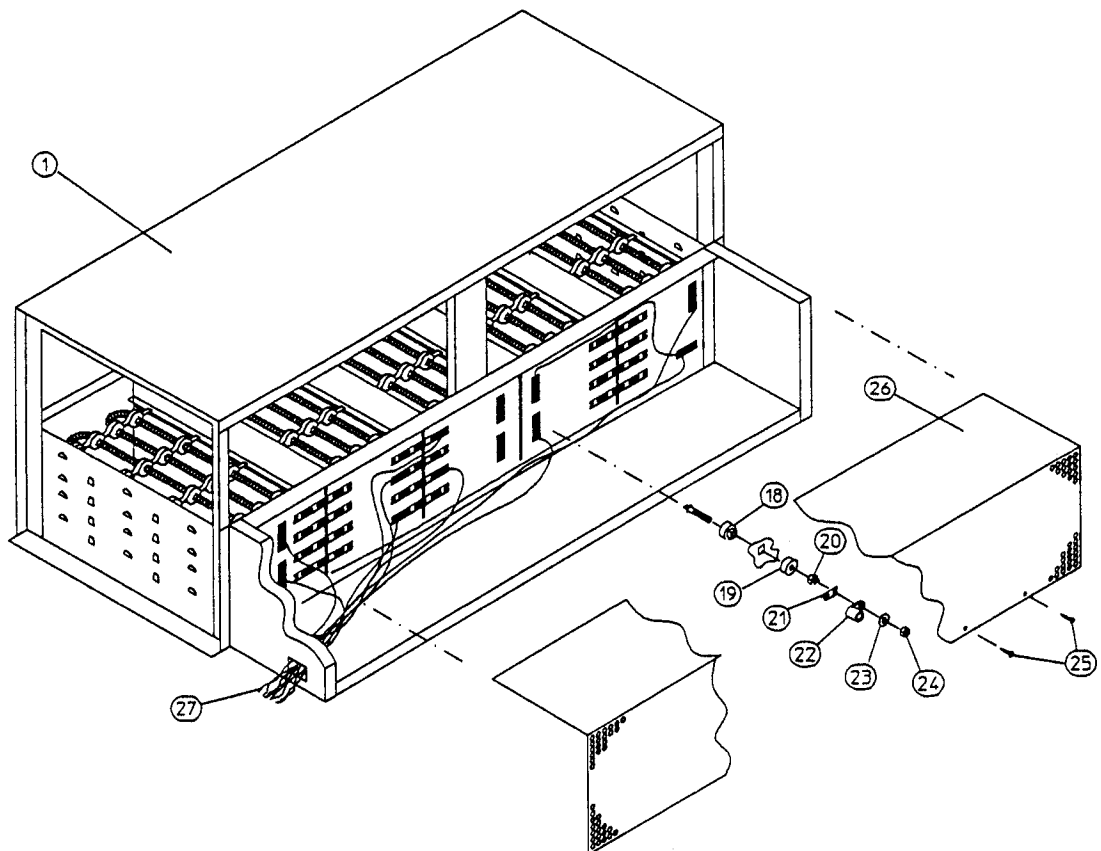


MAN0440

<u>Illus. No.</u>	<u>Part No.</u>	<u>Qty.</u>	<u>Description</u>
1	105500	1	Sail Switch Actuator Rod
2	319202	1	Sail Switch Damper (flat)
3	154002	1	1/8" Push-on Fastener
4	802800	1	Sail Switch Box with Cover and Bracket ONLY
	802801	1	Sail Switch Box Assembly Complete (includes illus. nos. 1 through 4 and 6 through 10)
5	150300	2	#10 x 1/2" Hex Washer TEK Screw
6	150303	2	#4 x 3/4" Pan Head "A" Machine Screw
7	122200	1	Sail Switch ONLY
8	802799	1	Sail Switch Box Cover and Bracket Only
9	150415	2	#10-16 x 1/2" Phillips Round Head Crimptite Screw
10	154004	1	Twin Speed Nut



MAN1638

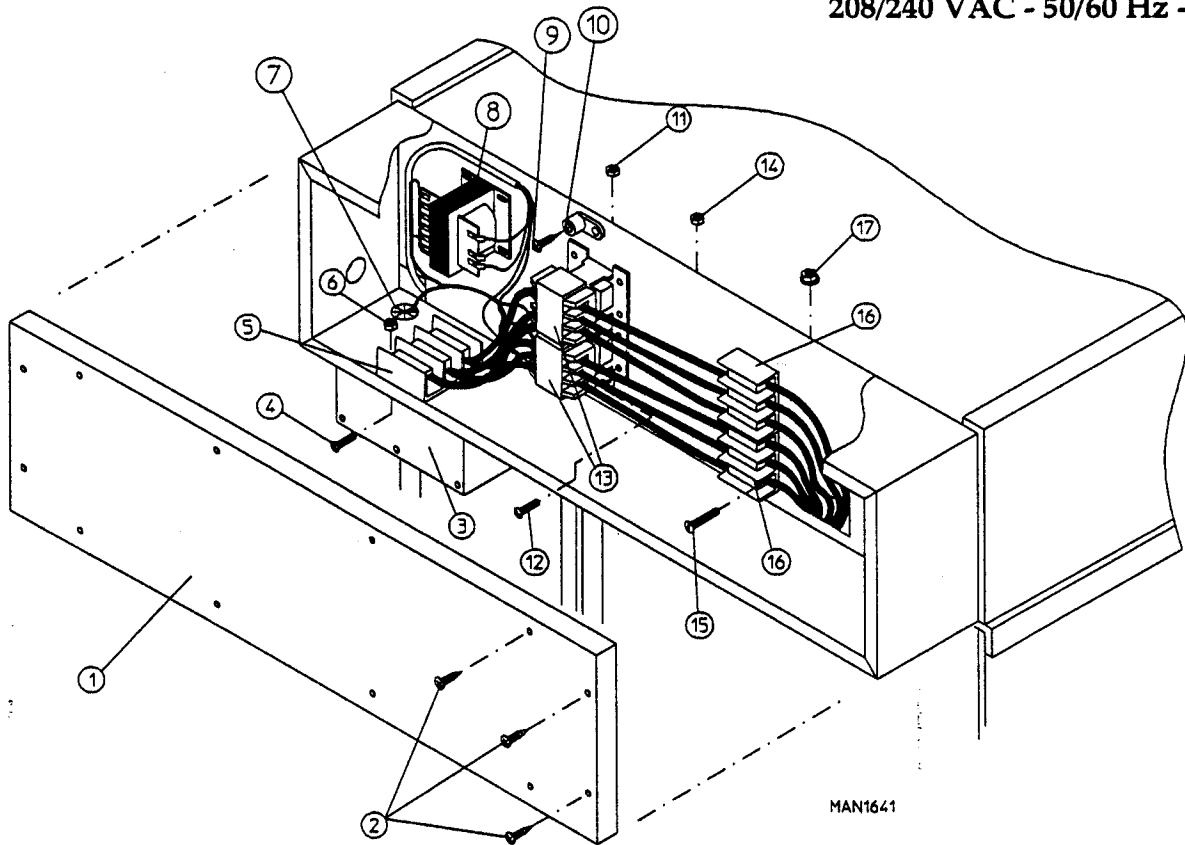




<u>Illus. No.</u>	<u>Part No.</u>	<u>Qty.</u>	<u>Description</u>
1	803002	1	ADE-120 Electric Oven Box ONLY
	-----*	1	Electric Oven Assembly Complete
2	-----*	18	Electric Element
3	802802	1	ADE-120 Safety Control Bracket ONLY
4	150301	2	#8-18 x 7/16" Phillips Pan Head TEK Screw
5	130400	1	290° Hi-Limit ONLY
6	150415	4	#10-16 x 1/2" Phillips Round Head Crimptite Screw
7	802800	1	Sail Switch Box with Cover and Bracket ONLY
	802801	1	Sail Switch Box Assembly Complete (includes illus. nos. 7 through 15)
8	154004	1	Twin Speed Nut
9	150415	2	#10-16 x 1/2" Phillips Round Head Crimptite Screw
10	802799	1	Sail Switch Box Cover and Bracket ONLY
11	122200	1	Sail Switch ONLY
12	150303	2	#4 x 3/4" Pan Head "A" Machine Screw
13	105500	1	Sail Switch Actuator Rod
14	319202	1	Sail Switch Damper (flat)
15	154002	1	1/8" Push-On Fastener
16	150415	8	#10-16 x 1/2" Phillips Round Head Crimptite Screw
17	803101	4	ADE-120 Element Cover ONLY
18	120081	36	Internal Ceramic Insulator
19	120080	36	External Ceramic Insulator
20	152008	36	#10-32 Hex Nut
21	121011*	—	Bus Bar (sold in feet)
22	121010*	—	Terminal Lug
23	153009	36	#10 Star Washer
24	152008	36	#10-32 Hex Nut
25	150415	14	#10-16 x 1/2" Phillips Round Head Crimptite Screw
26	321403	1	ADE-120 Cover ONLY
27	-----*	—	Oven Wire (sold in feet)

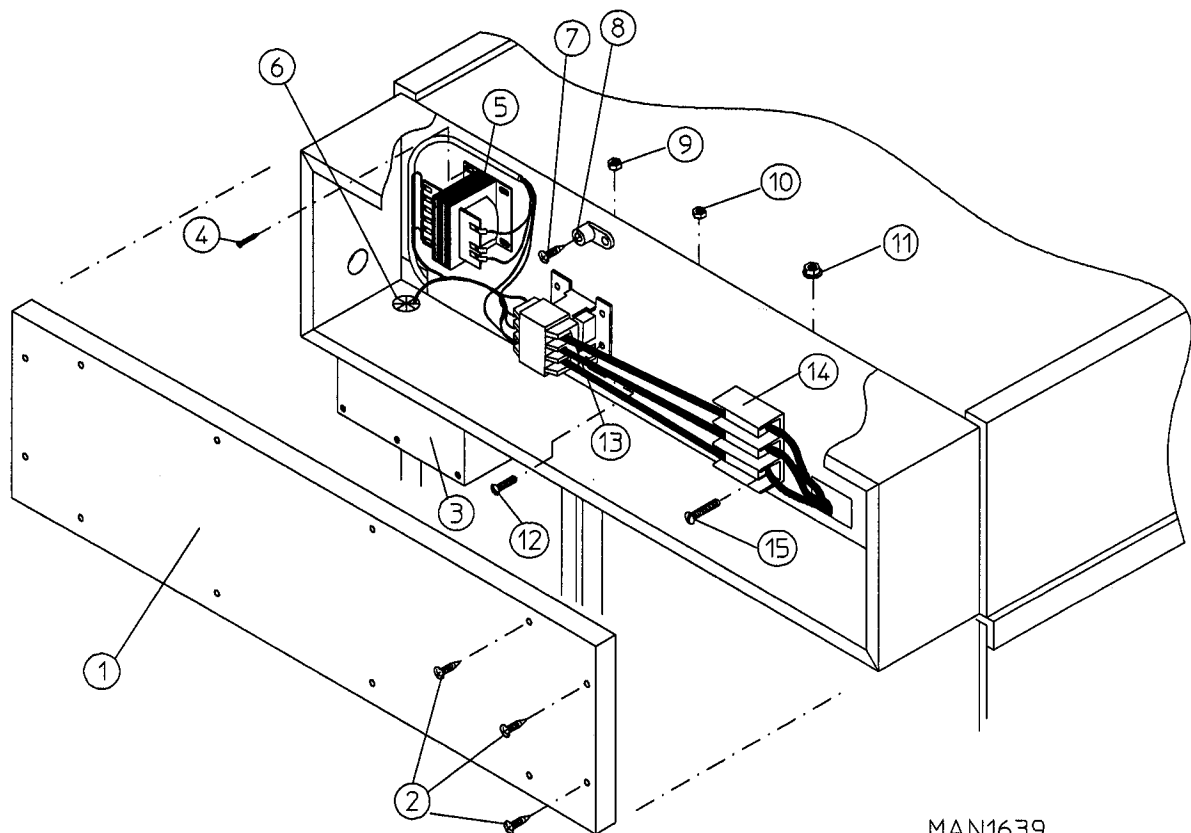
\* Refer to ADE-120 Electric Oven Component Application Charts on page 51.

208/240 VAC - 50/60 Hz - 3ø



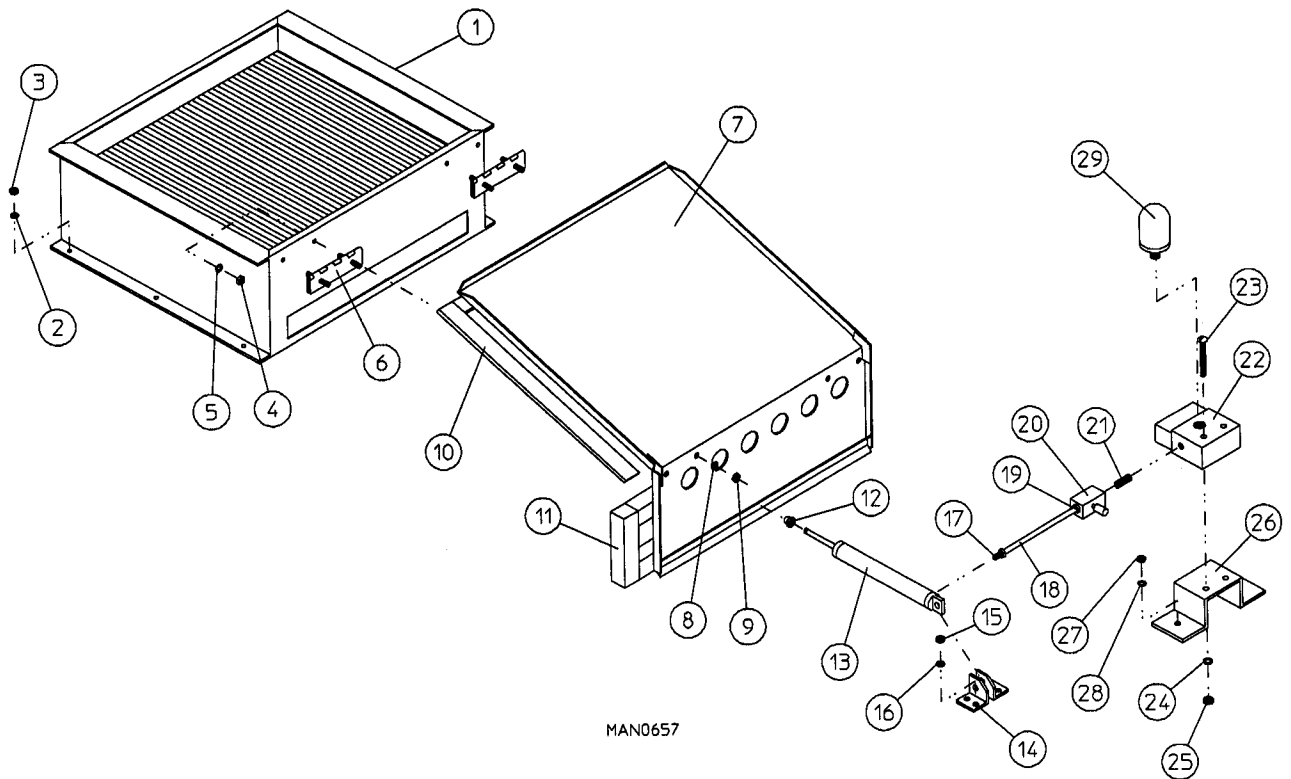
Illus. No.	Part No.	Qty.	Description
1	320902	1	ADE-120 Electric Oven Relay Box Cover
2	150301	12	#8-18 x 7/16" Phillips Pan Head TEK Screw
3	322815	1	Control Box Cover Plate Only (8-1/2" x 15-1/2") For models mfd. as of January 4, 1993
	322808	1	Control Box Cover Plate Only (8-1/2" x 12") For models mfd. prior to January 4, 1993
4	150108	2	#8-32 x 1/2" Pan Head Machine Screw
5	120710	1	Power Distribution Block
6	151001	2	#8-32 Pal Nut
7	121400	2	Universal Bushing
8	132004	1	Transformer (for <u>ALL</u> Microprocessor [computer] Models and Timer Models)
9	150108	1	#8-32 x 1/2" Pan Head Machine Screw
10	121010	1	L-70 Ground Lug
11	151001	1	#8-32 Pal Nut
12	150108	3	#8-32 x 1/2" Pan Head Machine Screw
13	131385	2	TPST 112-Amp - 24 VAC Relay
14	151001	3	#8-32 Pal Nut
15	150521	4	1/4-20 x 2" Carriage Bolt
16	120706	2	Power Distribution Block
17	152014	4	1/4-20 Free Spin Wash Nut

380/416/480 VAC - 50/60 Hz - 3Ø



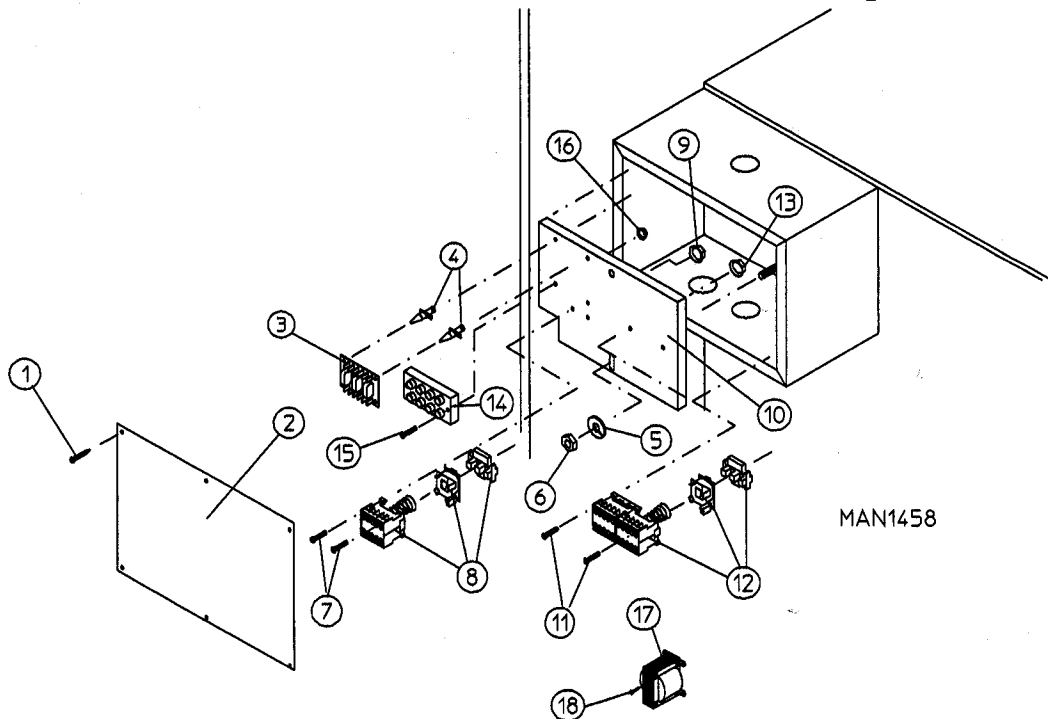
MAN1639

Illus. No.	Part No.	Qty.	Description
1	320902	1	ADE-120 Electric Oven Relay Box Cover
2	150301	12	#8-18 x 7/16" Phillips Pan Head TEK Screw
3	322815	1	Control Box Cover Plate Only (8-1/2" x 15-1/2") For models mfd. as of January 4, 1993
	322808	1	Control Box Cover Plate Only (8-1/2" x 12") For models mfd. prior to January 4, 1993
4	150300	3	#10 x 1/2" Hex Washer TEK Screw
5	132004	1	Transformer (for <u>ALL</u> Electric Models - 380 VAC thru 480 VAC)
6	121400	2	Universal Bushing
7	150108	3	#8-32 x 1/2" Pan Head Machine Screw
8	121010	1	L-70 Terminal Lug
9	151001	1	#8-32 Pal Nut
10	151001	3	#8-32 Pal Nut
11	152014	2	1/4-20 Free Spin Wash Nut
12	150108	1	#8-32 x 1/2" Pan Head Machine Screw
13	131385	1	TSPT 112-Amp - 24 VAC Relay
14	120706	1	Power Distribution Block
15	150521	2	1/4-20 x 2" Carriage Bolt



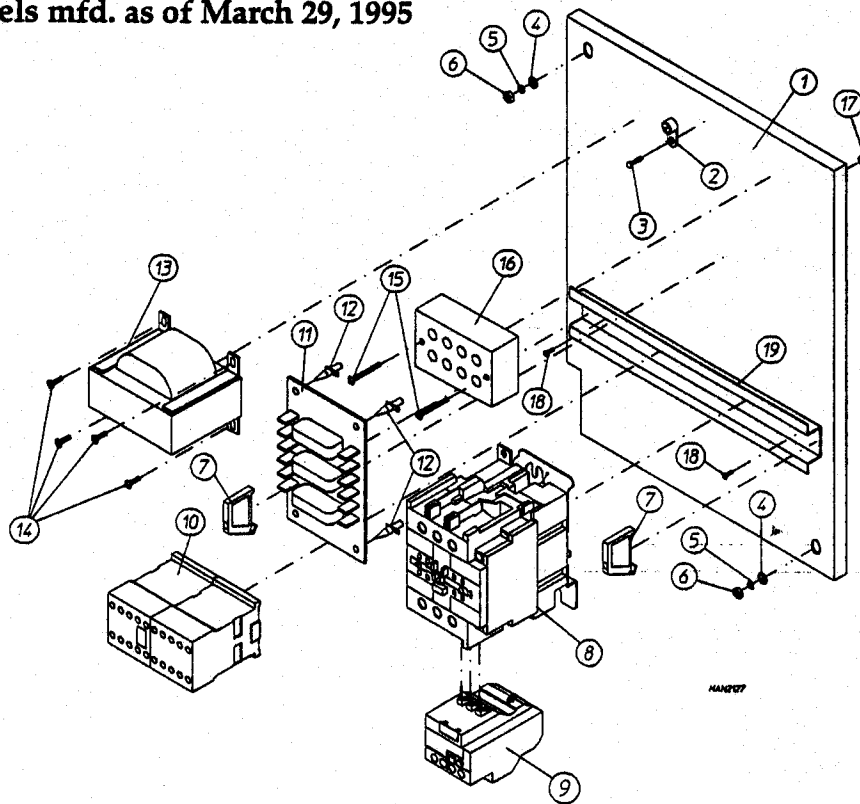
<u>Illus. No.</u>	<u>Part No.</u>	<u>Qty.</u>	<u>Description</u>
1	165012	1	ADS-120 Steam Coil Assembly
	165019	1	ADS-120 Steel Steam Coil Assembly
2	153002	6	5/16" Lock Washer
3	152004	6	#5/16-18 Hex Nut
4	152002	4	#1/4-20 Hex Nut
5	153007	4	1/4" Lock Washer
6	820321	2	ADS-120 Steam Damper Hinge Assembly
7	820320	1	ADS-120 Steam Damper Assembly (includes illus. nos. 7, 10, and 11)
8	153007	4	1/4" Lock Washer
9	152002	4	#1/4-20 Hex Nut
10	115995	84	ADS-120 Steam Damper Gasket (sold by the inch)
11	102350	1	ADS-120 Steam Damper Foam (68-1/2" length)
12	151007	1	#7/16-20 Stainless Steel Acorn Nut
13	100499	1	1-1/2" Bore x 3" Stroke Piston
14	100500	1	Piston Support Bracket
15	152002	4	#1/4-20 Hex Nut
16	153007	4	1/4" Lock Washer
17	100472	1	1/4" x 1/8" Connector
18	143110	1	1/4" Tubing (sold in feet)
19	100472	1	1/4" x 1/8" Connector
20	100496	1	1/8" Needle Valve
21	143238	1	1/8" Close Nipple
22	100498	1	3-Way Micro Valve - 24 VAC
23	150002	2	#6-32 x 1" Slotted Machine Screw
24	153010	2	#6 Star Washer
25	152000	2	#6-32 Hex Nut
26	330987	1	Micro Valve Support Bracket
27	152002	2	#1/4-20 Hex Nut
28	153007	2	1/4" Lock Washer
29	100520	1	1/8" NPT Silencer (muffler)

For Gas and Steam Models, and for Electric Models mfd. prior to March 29, 1995



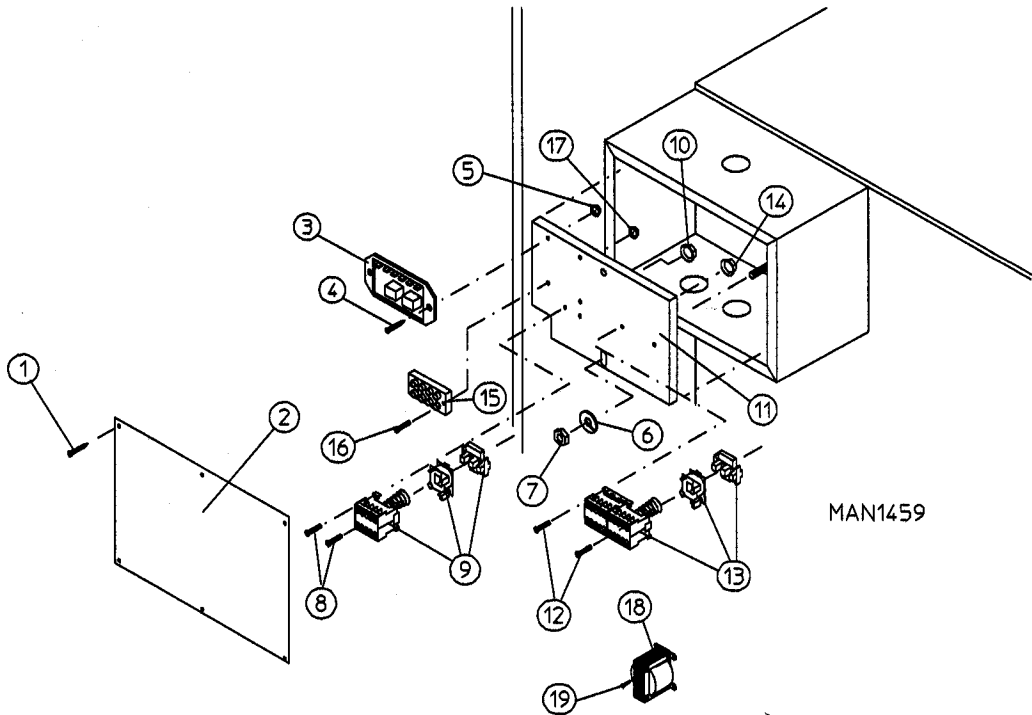
Illus. No.	Part No.	Qty	Description
1	150301	6	#8-18 x 7/16" Phillips Pan Head TEK Screw
2	322815	1	Control Box Cover Plate ONLY (8-1/2" x 15-1/2") For models mfd. as of January 4, 1993
	322808	1	Control Box Cover Plate ONLY (8-1/2" x 12") For models mfd. prior to January 4, 1993
3	137060	1	Arc Suppressor Board (3)
4	137013	4	Nylon Standoff
5	153002	2	5/16" Lock Washer
6	152004	2	5/16-18 Hex Nut
7	150108	4	#8-32 x 1/2" Pan Head Machine Screw
8	132445	1	3 HP Impellor (Blower/Fan) Contactor
9	151001	2	#8-32 Pal Nut
10	322816	1	Contactor Mounting Panel ONLY (7" x 15-1/2") For models mfd. as of January 4, 1993
	322807	1	Contactor Mounting Panel ONLY (7" x 10-1/2") For models mfd. prior to January 4, 1993
11	150108	4	#8-32 x 1/2" Pan Head Machine Screw
12	132431	1	Reversing (Impellor/Blower/Fan) Contactor - 24 VAC
	132432	1	Contactor Replacement Coil - 24 VAC
13	151001	4	#8-32 Pal Nut
14	120704	1	3-Position Power Distribution Block
15	150108	2	#8-32 x 1/2" Pan Head Machine Screw
16	151001	4	#8-32 Pal Nut
17	-----	-	Transformer (refer to AD-120 Step Down Transformer Usage Listing on page 50)
18	150300	2	#10 x 1/2" Hex Washer TEK Screw

For Electric Models mfd. as of March 29, 1995



Illus. No.	Part No.	Qty	Description
1	332344	1	ADE-120 Contactor/Relay Mounting Panel ONLY
2	121010	1	L-70 Ground Lug
3	150108	1	#8-32 x 1/2" Pan Head Machine Screw
4	153001	2	5/16" Flat Washer
5	153002	2	5/16" Lock Washer
6	152004	2	#5/16-18 Hex Nut
7	120765	2	End Stop/Bracket
8	132445	1	3 HP Impellor (Blower/Fan) Contactor
9	132467	1	208 Volt Blower Overload (for use on models mfd. for 208/230/240 Volt Electric Service)
	132468	1	380 Volt Blower Overload (for use on models mfd. for 380/460/480/575/600 Volt Electric Service)
10	132431	1	Reversing (Impellor/Blower/Fan) Contactor - 24 VAC
	132432	1	Contactor Replacement Coil - 24 VAC
11	137060	1	Arc Suppressor Board (3)
12	137013	4	Nylon Standoff
13	-----	1	Step Down Transformer (refer to AD-120 Step Down Transformer Usage Listing on page 50)
14	150300	4	#10 x 1/2" Hex Washer TEK Screw
15	150008	2	#6-32 x 1-1/4" Slotted Round Head Machine Screw
16	120701	1	4-Position Power Distribution Block
17	151000	2	#6-32 Pal Nut
18	150415	2	#10-16 x 1/2" Phillips Round Head Crimptite Screw
19	120768	1	8-1/2" Din Mounting Rail

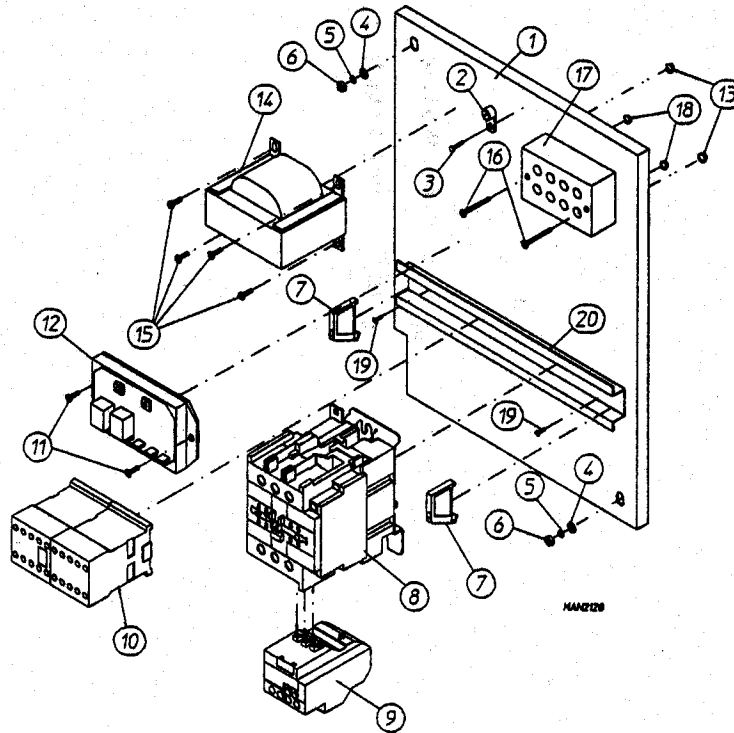
For Gas and Steam Models, and for Electric Models mfd. prior to March 29, 1995



Illus. No.	Part No.	Qty	Description
1	150301	6	#8-18 x 7/16" Phillips Pan Head TEK Screw
2	322815	1	Control Box Cover Plate ONLY (8-1/2" x 15-1/2") For models mfd. as of January 4, 1993
	322808	1	Control Box Cover Plate ONLY (8-1/2" x 12") For models mfd. prior to January 4, 1993
3	132198	1	Reversing Timer ONLY (50/60 Hz) - 24 VAC
4	150108	2	#8-18 x 1/2" Pan Head Machine Screw
5	151001	2	#8-32 Pal Nut
6	153002	2	5/16" Lock Washer
7	152004	2	5/16-18 Hex Nut
8	150108	4	#8-32 x 1/2" Pan Head Machine Screw
9	132445	1	3 HP Impellor (Blower/Fan) Contactor
10	151001	4	#8-32 Pal Nut
11	322816	1	Contactor Mounting Panel ONLY (7" x 15-1/2") For models mfd. as of January 4, 1993
	322807	1	Contactor Mounting Panel ONLY (7" x 10-1/2") For models mfd. prior to January 4, 1993
12	150108	4	#8-32 x 1/2" Pan Head Machine Screw
13	132431	1	Reversing (Impellor/Blower/Fan) Contactor - 24 VAC
	132432	1	Contactor Replacement Coil - 24 VAC
14	151001	4	#8-32 Pal Nut
15	120704	1	3-Position Power Distribution Block
16	150108	2	#8-18 x 1/2" Pan Head Machine Screw
17	151001	2	#8-32 Pal Nut
18	-----	-	Transformer (refer to AD-120 Step Down Transformer Usage Listing on page 50)
19	150300	2	#10 x 1/2" Hex Washer TEK Screw

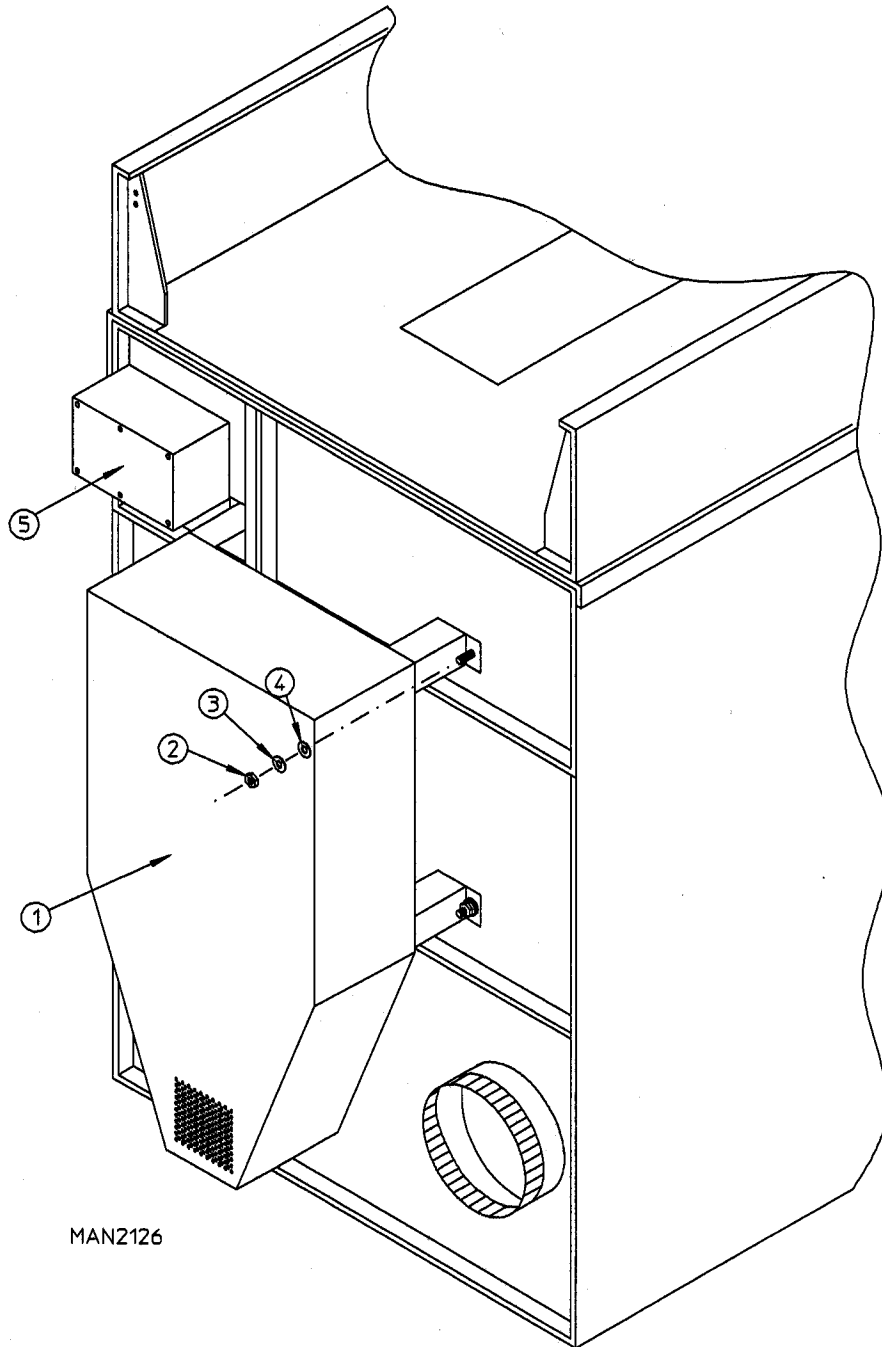


For Electric Models mfd. as of March 29, 1995



<u>Illus. No.</u>	<u>Part No.</u>	<u>Qty</u>	<u>Description</u>
1	332344	1	ADE-120 Contactor/Relay Mounting Panel ONLY
2	121010	1	L-70 Ground Lug
3	150108	1	#8-32 x 1/2" Pan Head Machine Screw
4	153001	2	5/16" Flat Washer
5	153002	2	5/16" Lock Washer
6	152004	2	#5/16-18 Hex Nut
7	120765	2	End Stop/Bracket
8	132445	1	3 HP Impellor (Blower/ Fan) Contactor
9	132467	1	208 Volt Blower Overload (for use on models mfd. for 208/230/240 Volt Electric Service)
	132468	1	380 Volt Blower Overload (for use on models mfd. for 380/460/480/575/600 Volt Electric Service)
10	132431	1	Reversing (Impellor/Blower/ Fan) Contactor - 24 VAC
	132432	1	Contactor Replacement Coil - 24 VAC
11	150100	2	#8-32 x 1/2" Phillips Round Head Screw
12	132198	1	Reversing Timer ONLY (50/60 Hz) - 24 VAC
13	151001	2	#8-32 Pal Nut
14	-----	1	Step Down Transformer (refer to AD-120 Step Down Transformer Usage Listing on <a href="#">page 50</a> )
15	150300	4	#10 x 1/2" Hex Washer TEK Screw
16	150008	2	#6-32 x 1-1/4" Slotted Round Head Machine Screw
17	120701	1	4-Position Power Distribution Block
18	151000	2	#6-32 Pal Nut
19	150415	2	#10-16 x 1/2" Phillips Round Head Crimptite Screw
20	120768	1	8-1/2" Din Mounting Rail

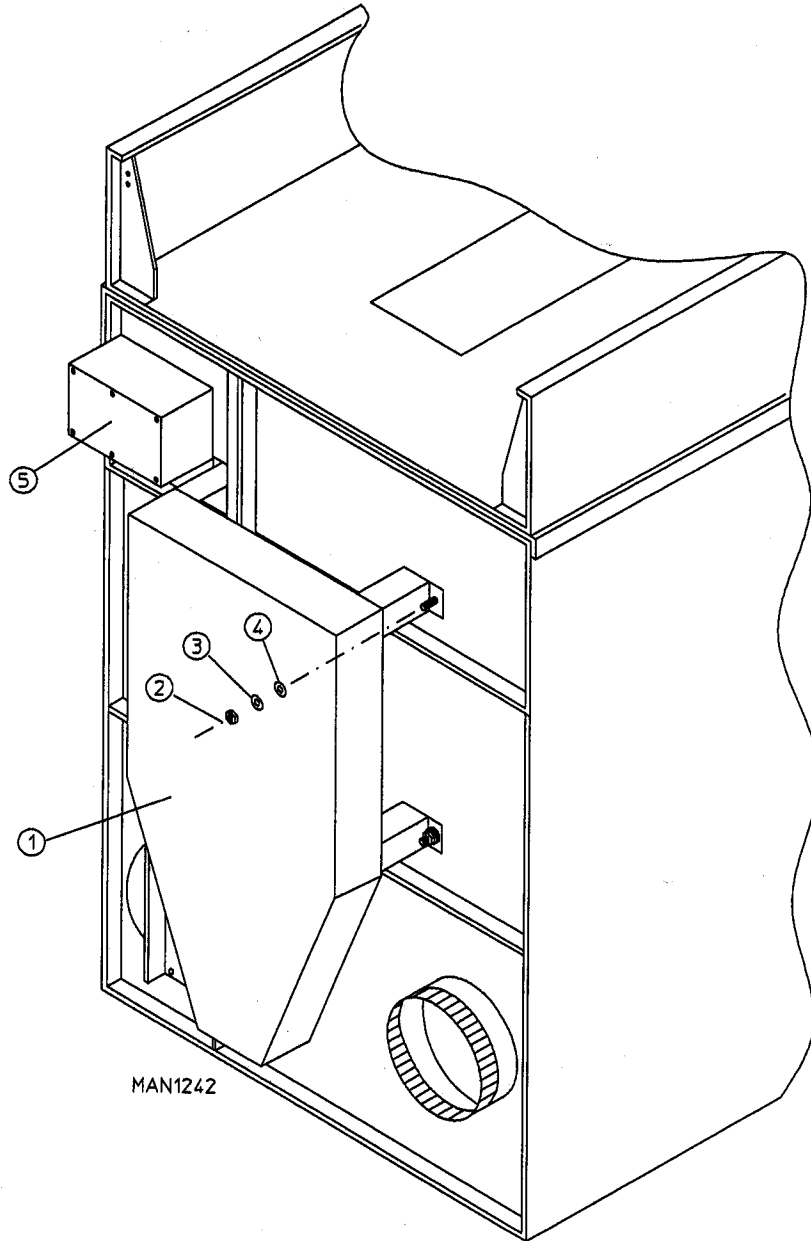
For **ALL 60 Hertz Models** mfd. as of January 26, 1995  
 For **ALL 50 Hertz Models** mfd. as of January 9, 1995



MAN2126

Illus. No.	Part No.	Qty	Description
1	801510	1	AD-120 Extended Back Guard Assembly
2	152005	4	3/8-16 Hex Nut
3	153005	4	3/8" Lock Washer
4	153004	4	3/8" Flat Washer
5	322815	1	Control Box Cover Plate ONLY (8-1/2" x 15-1/2")

For **ALL 60 Hertz Models** mfd. prior to January 26, 1995  
 For **ALL 50 Hertz Models** mfd. prior to January 9, 1995



Illus. No.	Part No.	Qty	Description
1	801509	1	AD-120 Back Guard Assembly
2	152005	4	3/8-16 Hex Nut
3	153005	4	3/8" Lock Washer
4	153004	4	3/8" Flat Washer
5	322815	1	Control Box Cover Plate ONLY (8-1/2" x 15-1/2") (for models mfd. as of January 4, 1993)
	322808	1	Control Box Cover Plate ONLY (8-1/2" x 12") (for models mfd. prior to January 4, 1993)

<b>Step Down Transformer Application Listing (Reversing Relay Box)</b>				
<b>Heat</b>	<b>Voltage</b>	<b>Wire Service</b>	<b>Transformer Part Number</b>	
			<b>Microprocessor Models</b>	<b>Timer Models</b>
<b>Gas / Steam</b>	380	3 or 4	132059	132059
	416	3 or 4	132062	132062
	460/480	3 or 4	132053	132053
	440	3 or 4	132056	132056
	575	3	132050	132050
<b>Electric</b>	380	3 or 4	132059	N/R
	416	3 or 4	132062	N/R
	460/480	3 or 4	132053	N/R
	575	3	N/A	N/A

N/A = Not Available

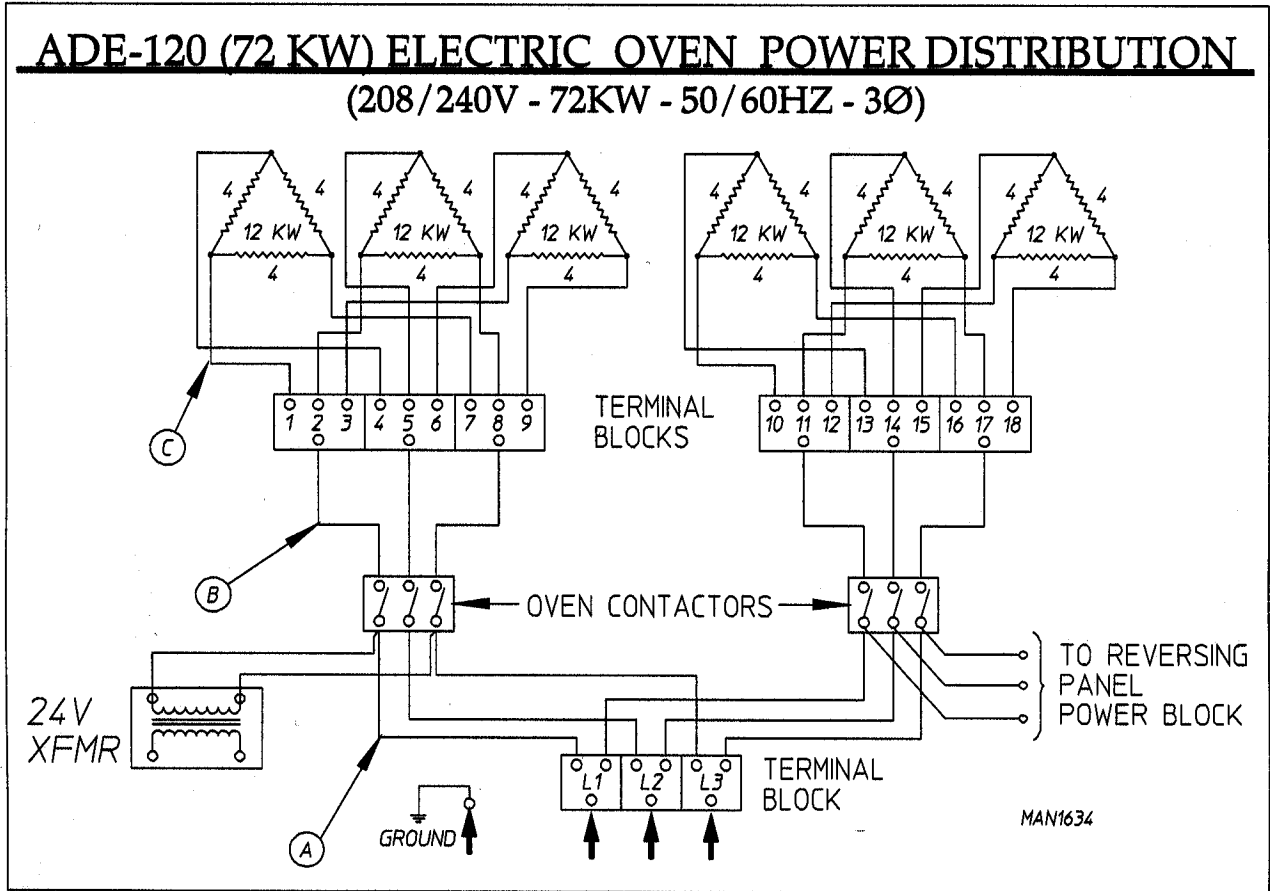
N/R = Not Required

<b>72 Kw Oven</b>	Volts	208		230		380		416		480		
	Phase	3ø		3ø		3ø		3ø		3ø		
	Wire	3		3		3 or 4		3 or 4		3 or 4		
	Oven Assy Part No.	815816		815817		815820		815821		815822		
	Elements	Qty.	18		18		18		18		18	
		Size	4 Kw		4 Kw		4 Kw		4 Kw		4 Kw	
		Part No.	120008		120009		120044		120008		120009	
	Oven Wire	Qty.	6'	25'	6'	25'	3'	8'	3'	25'	3'	25'
		Size	2	8	2	8	2	8	2	8	2	8
		Part No.	133302	133100	133302	133100	133302	133100	133302	133100	133302	133100
	Terminal Lug	Qty.	13	6	13	6	9	1	9	1	9	1
		Part No.	121010	121012	121010	121012	121010	121012	121010	121012	121010	121012
	Bus Bar Part No. 121011	2'		2'		3'		3'		3'		

<b>80 Kw Oven</b>	Volts	208		230		380		416		480		
	Phase	3ø		3ø		3ø		3ø		3ø		
	Wire	3		3		3 or 4		3 or 4		3 or 4		
	Oven Assy Part No.	815823		815824		815810		815826		815827		
	Elements	Qty.	18		18		18		18		18	
		Size	4.5 Kw		4.5 Kw		4.5 Kw		4.5 Kw		4.5 Kw	
		Part No.	120047		120048		120022		120047		120048	
	Oven Wire	Qty.	6'	25'	6'	25'	3'	25'	3'	25'	3'	25'
		Size	2	8	2	8	1	8	1	8	2	8
		Part No.	133302	133100	133302	133100	133301	133100	133301	133100	133302	133100
	Terminal Lug	Qty.	18		18		10	1	18	1	18	1
		Part No.	121010		121010		121010	121012	121010	121012	121010	121012
	Bus Bar Part No. 121011	8'		8'		11'		11'		11'		

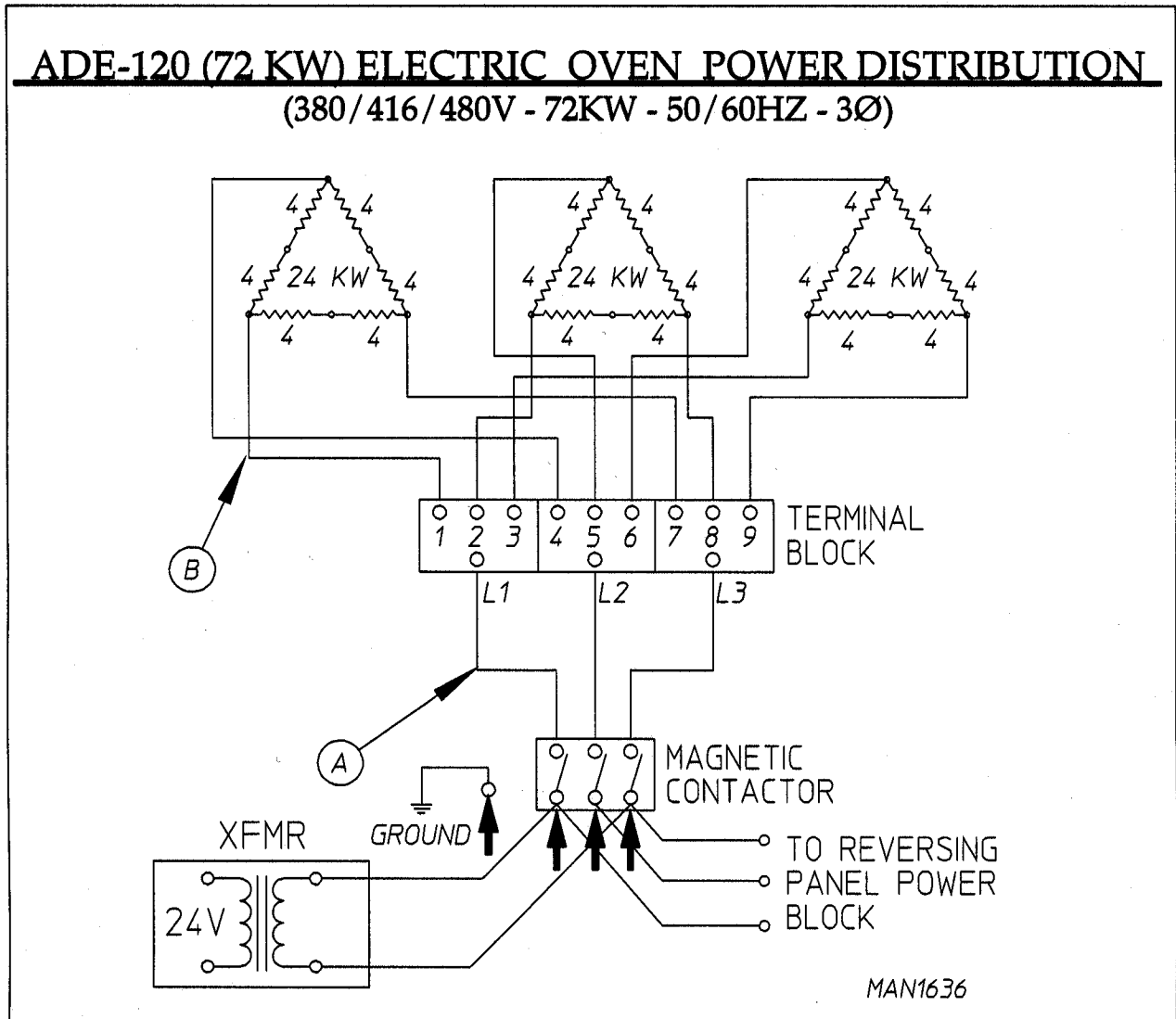
NOTE: Oven Wire and Bus Bar are sold in feet.

208/240 VAC - 72 Kw - 50/60 Hz - 3Ø



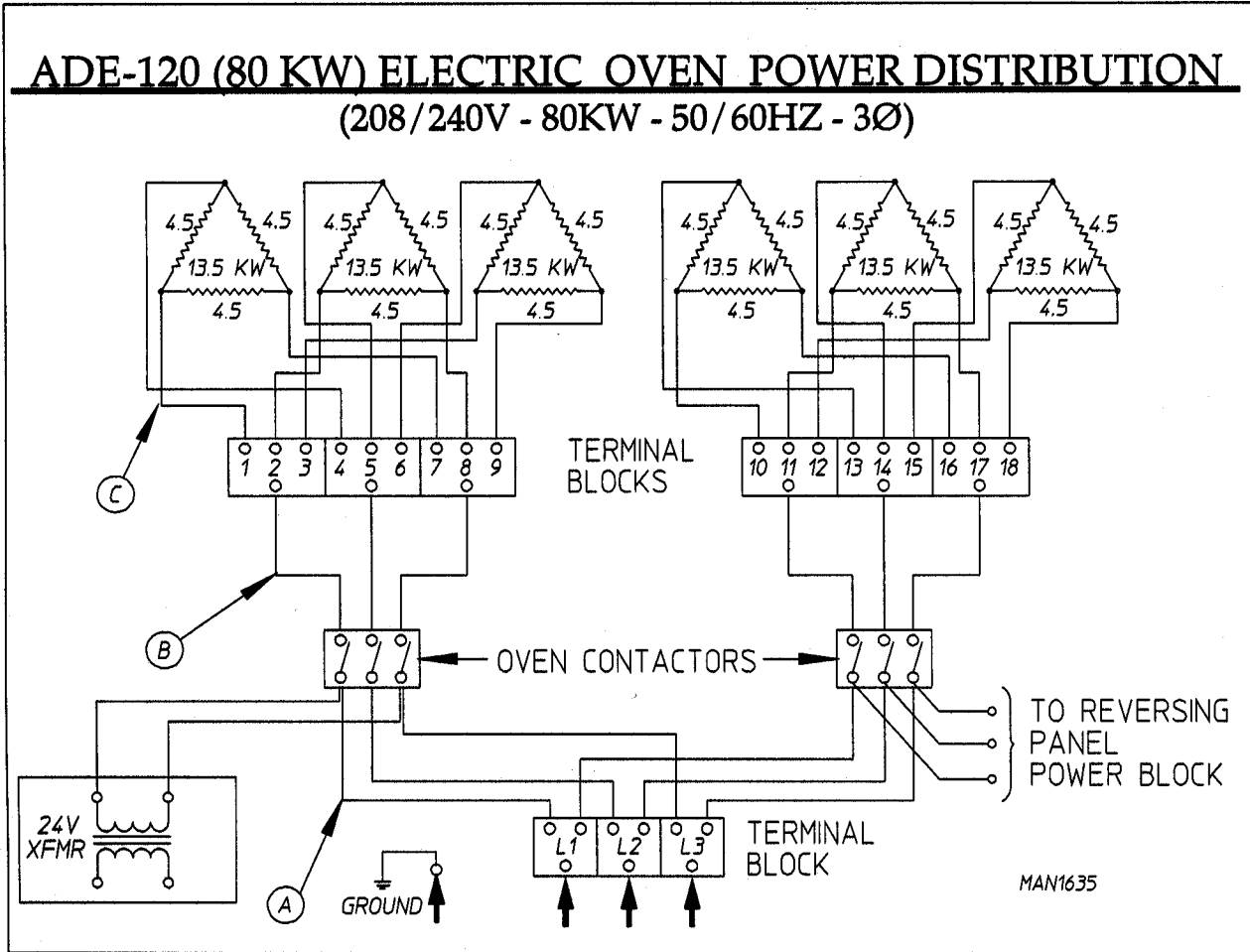
Electric Service	Qty. Elements	Element Part Number	Oven Amps	Wire Size			Contactor	24 VAC Step Down Transformer
				A	B	C		
208v 3Ø 3,4w	18	120008	200	2	2	8	131385	132004
240v 3Ø 3,4w	18	120009	174	2	2	8	131385	132004

380/416/480 VAC - 72 Kw - 50/60 Hz - 3ø



Electric Service	Qty. Elements	Element Part Number	Oven Amps	Wire Size		Contactor	24 VAC Step Down Transformer
				A	B		
380v 3ø 3, 4w	18	120044	110	2	8	131385	132004
416v 3ø 3, 4w	18	120008	100	2	8	131385	132004
480v 3ø 3, 4w	18	120009	87	2	8	131385	132004

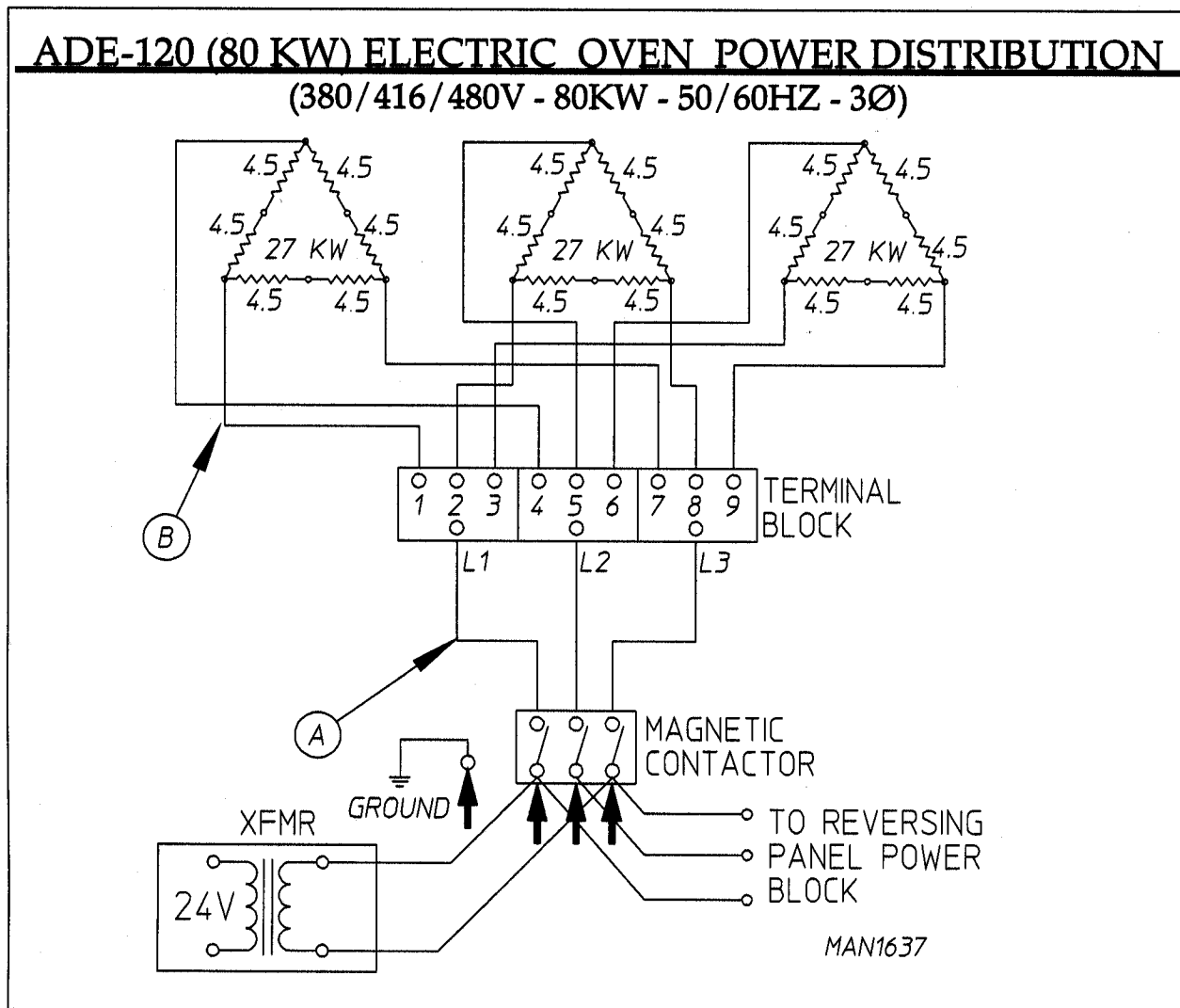
208/240 VAC - 80 Kw - 50/60 Hz - 3Ø



Electric Service	Qty. Elements	Element Part Number	Oven Amps	Wire Size			Contactor	24 VAC Step Down Transformer
				A	B	C		
208v 3Ø 3, 4w	18	120047	222	2	2	8	131385	132004
240v 3Ø 3, 4w	18	120048	193	2	2	8	131385	132004

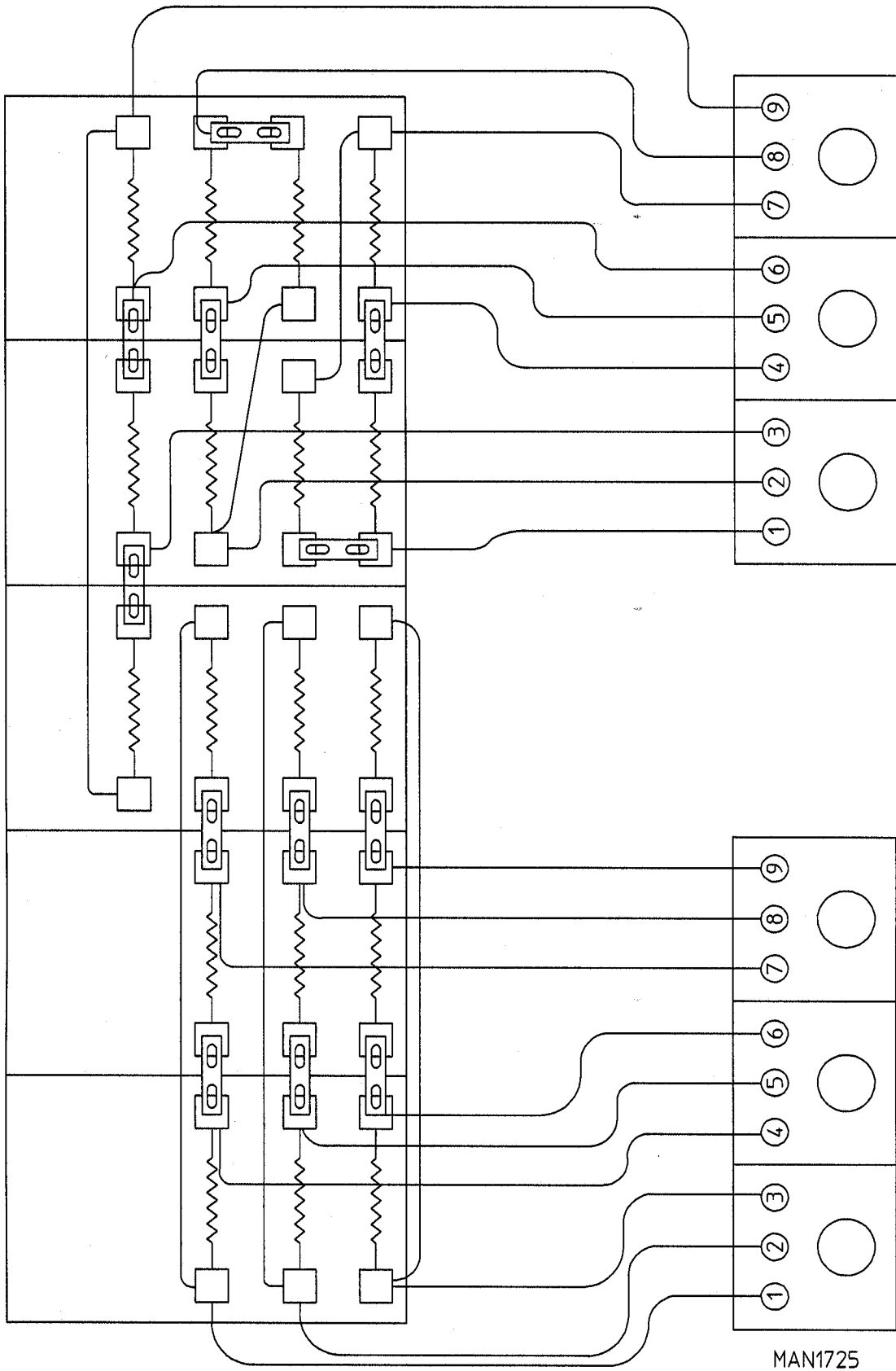


380/416/480 VAC - 80 Kw - 50/60 Hz - 3Ø



Electric Service	Qty. Elements	Element Part Number	Oven Amps	Wire Size		Contactor	24 VAC Step Down Transformer
				A	B		
380v 3Ø 3, 4w	18	120022	122	1	8	131385	132004
416v 3Ø 3, 4w	18	120047	111	1	8	131385	132004
480v 3Ø 3, 4w	18	120048	96.3	2	8	131385	132004

208/240 VAC - 72/80 Kw - 50/60 Hz - 3ø



380/416/480 VAC - 72/80 Kw - 50/60 Hz - 3Ø

