



# **AD-120ES Parts Manual Phase 7**

---

**American Dryer Corporation**  
88 Currant Road  
Fall River, MA 02720-4781  
Telephone: (508) 678-9000 / Fax: (508) 678-9447  
e-mail: techsupport@amdry.com

**[www.amdry.com](http://www.amdry.com)**

ADC Part No. 450217

# Retain This Manual In A Safe Place For Future Reference

American Dryer Corporation products embody advanced concepts in engineering, design, and safety. If this product is properly maintained, it will provide many years of safe, efficient, and trouble free operation.

*ONLY qualified technicians should service this equipment.*

**OBSERVE ALL SAFETY PRECAUTIONS** displayed on the equipment or specified in the installation manual included with the dryer.

The following “**FOR YOUR SAFETY**” caution **must be** posted near the dryer in a prominent location.

**FOR YOUR SAFETY**

Do not store or use gasoline or other flammable vapors and liquids in the vicinity of this or any other appliance.

**POUR VOTRE SÉCURITÉ**

Ne pas entreposer ni utiliser d'essence ni d'autres vapeurs ou liquides inflammables à proximité de cet appareil ou de tout autre appareil.

We have tried to make this manual as complete as possible and hope you will find it useful. **ADC** reserves the right to make changes from time to time, without notice or obligation, in prices, specifications, colors, and material, and to change or discontinue models.

## Important

For your convenience, log the following information:

**DATE OF PURCHASE** \_\_\_\_\_ **MODEL NO.** **AD-120ES Phase 7**

**RESELLER'S NAME** \_\_\_\_\_

**Serial Number(s)** \_\_\_\_\_

\_\_\_\_\_

\_\_\_\_\_

Replacement parts can be obtained from your reseller or the **ADC** factory. When ordering replacement parts from the factory, you can FAX your order to **ADC** at (508) 678-9447 or telephone your order directly to the **ADC** Parts Department at (508) 678-9000. Please specify the dryer **model number** and **serial number** in addition to the **description** and **part number**, so that your order is processed accurately and promptly.

The illustrations on the following pages may not depict your particular dryer exactly. The illustrations are a composite of the various dryer models. Be sure to check the descriptions of the parts thoroughly before ordering.

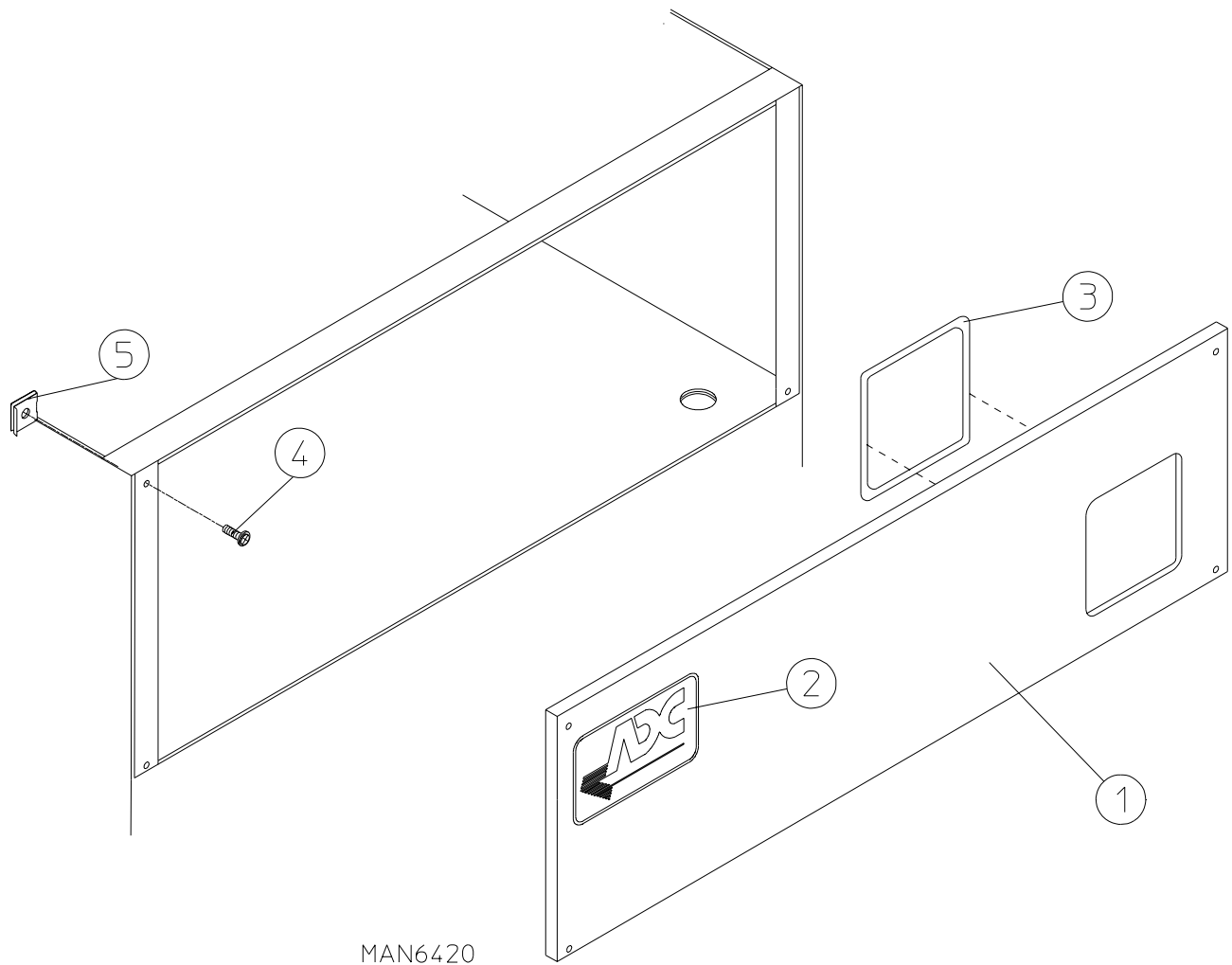
**“IMPORTANT NOTE TO PURCHASER”**

Information **must be** obtained from your local gas supplier on the instructions to be followed if the user smells gas. These instructions **must be** posted in a prominent location near the dryer.

# *Table of Contents*

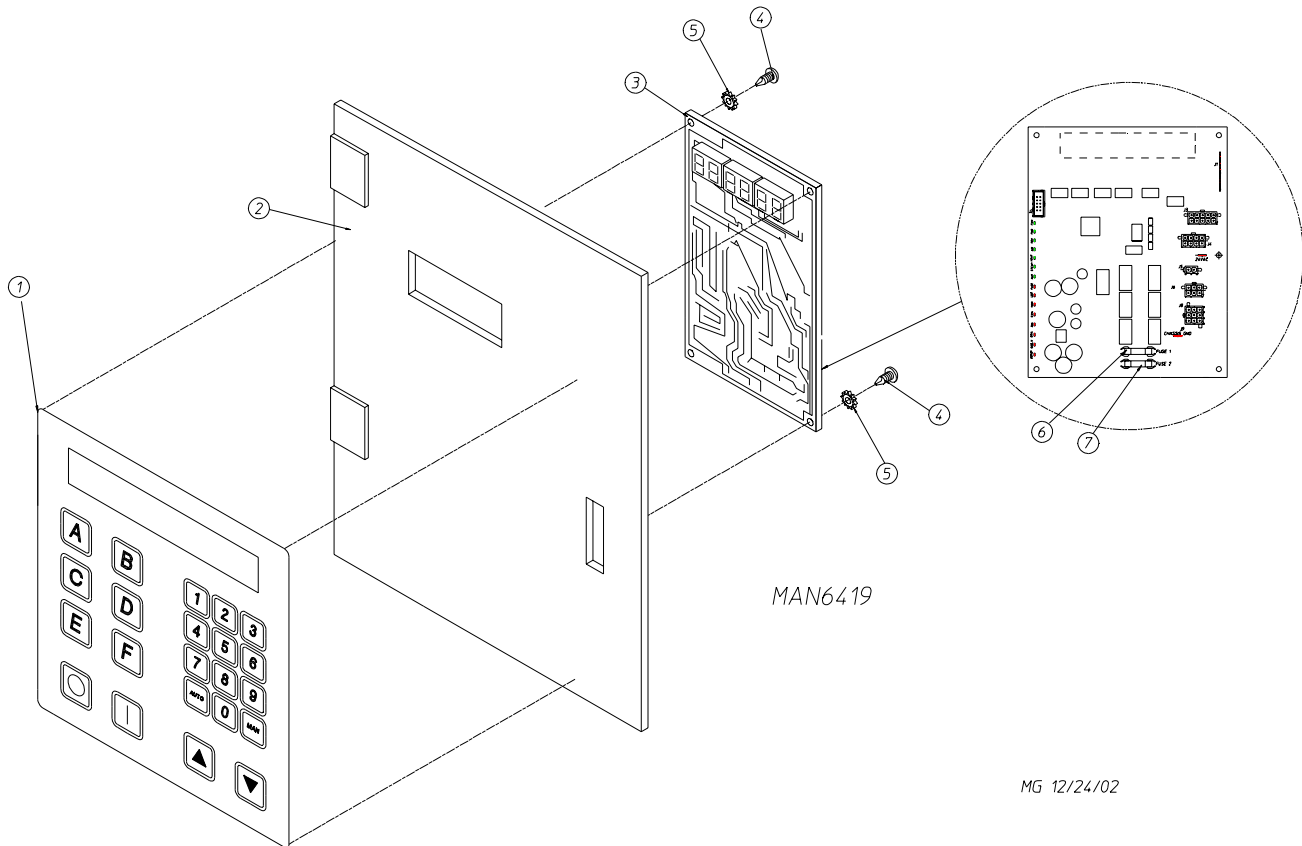
|  |        |
|--|--------|
| Control Door Assembly .....  | 3      |
| Phase 7 Non-Coin Microprocessor Control Panel Assembly .....                   | 4      |
| Front Door Assembly .....  | 5      |
| Dual Timer Control Box Assembly .....  | 6, 7   |
| Dual Timer “Tap Touch” Controls .....  | 8      |
| Front Panel Assembly .....   | 9      |
| Main Door Switch Assembly .....  | 10     |
| Lint Drawer/Lint Drawer Switch Box Assemblies                                  |        |
| For Models Mfd. as of March 25, 2003 .....                                     | 11     |
| Lint Drawer/Lint Drawer Switch Box Assemblies                                  |        |
| For Models Mfd. prior to March 25, 2003 .....                                  | 12     |
| Lint Door Assembly .....   | 13     |
| Microprocessor Controller (Computer) Temperature Sensor Bracket Assembly ..... | 14     |
| Dual Timer Temperature Sensor Bracket Assembly .....                           | 15     |
| Basket (Tumbler)/Support Assemblies .....                                      | 16, 17 |
| Basket (Tumbler) Bearing Mount Assembly .....                                  | 18, 19 |
| Idler Bearing Mount Assembly .....   | 20, 21 |
| Basket (Tumbler) Drive Motor Mount Assembly .....                              | 22, 23 |
| Blower Motor Mount Assembly .....  | 24, 25 |
| Direct Spark Ignition (DSI) Burner Assembly                                    |        |
| For Gas Models Only .....  | 26, 27 |
| Direct Spark Ignition (DSI) Module Assembly .....                              | 28, 29 |
| Electric Oven Assembly   |        |
| For Electric Models Only .....   | 30, 31 |
| Electric Oven Relay Box Assembly   |        |
| 208-240 VAC 3 $\phi$ 50/60 Hz .....  | 32     |
| Electric Oven Relay Box Assembly   |        |
| 380-416/480 VAC 3 $\phi$ 50/60 Hz .....  | 33     |
| Sail Switch Assembly .....   | 34     |
| Steam Damper Assembly  |        |
| For Steam Models Only .....  | 35     |

|  |        |
|--|--------|
| Microprocessor Reversing Contactor Mounting Panel Assembly (Gas and Steam) |        |
| 208-240 Volt 3 $\phi$ – For Models Mfd. prior to February 3, 2002 .....    | 36     |
| Microprocessor Reversing Contactor Mounting Panel Assembly (Gas and Steam) |        |
| 380-416 Volt 3 $\phi$ – For Models Mfd. prior to February 3, 2002 .....    | 37     |
| Microprocessor Reversing Contactor Mounting Panel Assembly (Electric)      |        |
| 208-240 Volt 3 $\phi$ – For Models Mfd. prior to February 2003 .....       | 38     |
| Microprocessor Reversing Contactor Mounting Panel Assembly (Electric)      |        |
| 380-480 Volt 3 $\phi$ – For Models Mfd. prior to February 2003 .....       | 39     |
| Microprocessor Reversing Contactor Mounting Panel Assembly (Electric)      |        |
| 208-240 Volt 3 $\phi$ – For Models Mfd. as of February 2003 .....          | 40     |
| Microprocessor Reversing Contactor Mounting Panel Assembly (Electric)      |        |
| 380-480 Volt 3 $\phi$ – For Models Mfd. as of February 2003 .....          | 41     |
| Microprocessor Reversing Contactor Mounting Panel Assembly (Gas and Steam) |        |
| 208-240 Volt – For Models Mfd. as of February 3, 2003 .....                | 42, 43 |
| Microprocessor Reversing Contactor Mounting Panel Assembly (Gas and Steam) |        |
| 380-416 Volt – For Models Mfd. as of February 3, 2003 .....                | 44, 45 |
| Microprocessor Reversing Contactor Mounting Panel Assembly (Gas and Steam) |        |
| 460-480 Volt – For Models Mfd. as of February 25, 2003 .....               | 46, 47 |
| Electric Oven Component Application Listings                               |        |
| For Electric Models Only .....   | 48     |
| Electric Oven Power Distribution   |        |
| 72 kW 208-240 VAC 3 $\phi$ 50/60 Hz .....                                  | 49     |
| Electric Oven Power Distribution   |        |
| 72 kW 380-416/440-480 VAC 3 $\phi$ 50/60 Hz .....                          | 50     |
| Electric Oven Power Distribution   |        |
| 60 kW 380-416/480 VAC 3 $\phi$ 50/60 Hz .....                              | 51     |
| 72 kW Electric Oven Assembly .....   | 52     |
| 60 kW Electric Oven Assembly .....   | 53     |
| Extended Back Guard Assembly .....   | 54     |
| S.A.F.E. Solenoid Assembly .....   | 55     |
| S.A.F.E. Temperature Probe Assembly .....                                  | 56     |

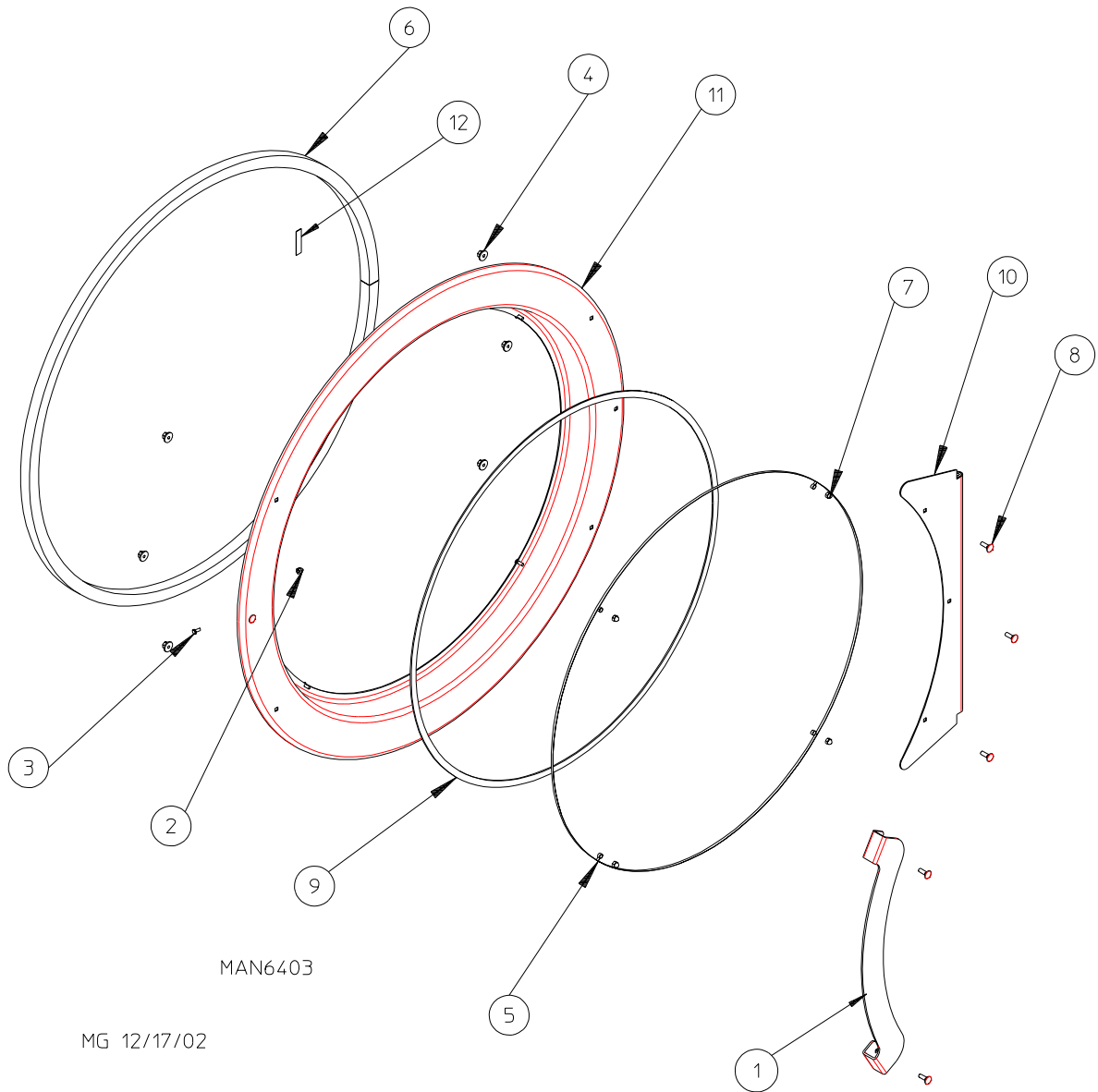


| <u>Illus. No.</u> | <u>Part No.</u> | <u>Qty.</u> | <u>Description</u>   |
|-------------------|-----------------|-------------|--|
| 1                 | 883765*         | 1           | Control Door Assembly (for gas and electric models Only)<br>(includes illus. nos. 1 and 3) |
|                   | 883766*         | 1           | Control Door Assembly (for steam models Only)<br>(includes illus. nos. 1 and 3)            |
| 2                 | 112360          | 1           | <b>ADC</b> Logo  |
| 3                 | 117604          | 1           | 1/8" x 3/8" Noise Suppression Tape   |
| 4                 | 150314          | 4           | #10-32 x 1/2" <b>DRX</b> Screw   |
| 5                 | 154011          | 4           | #10-32 Multi-Thread U-Nut  |

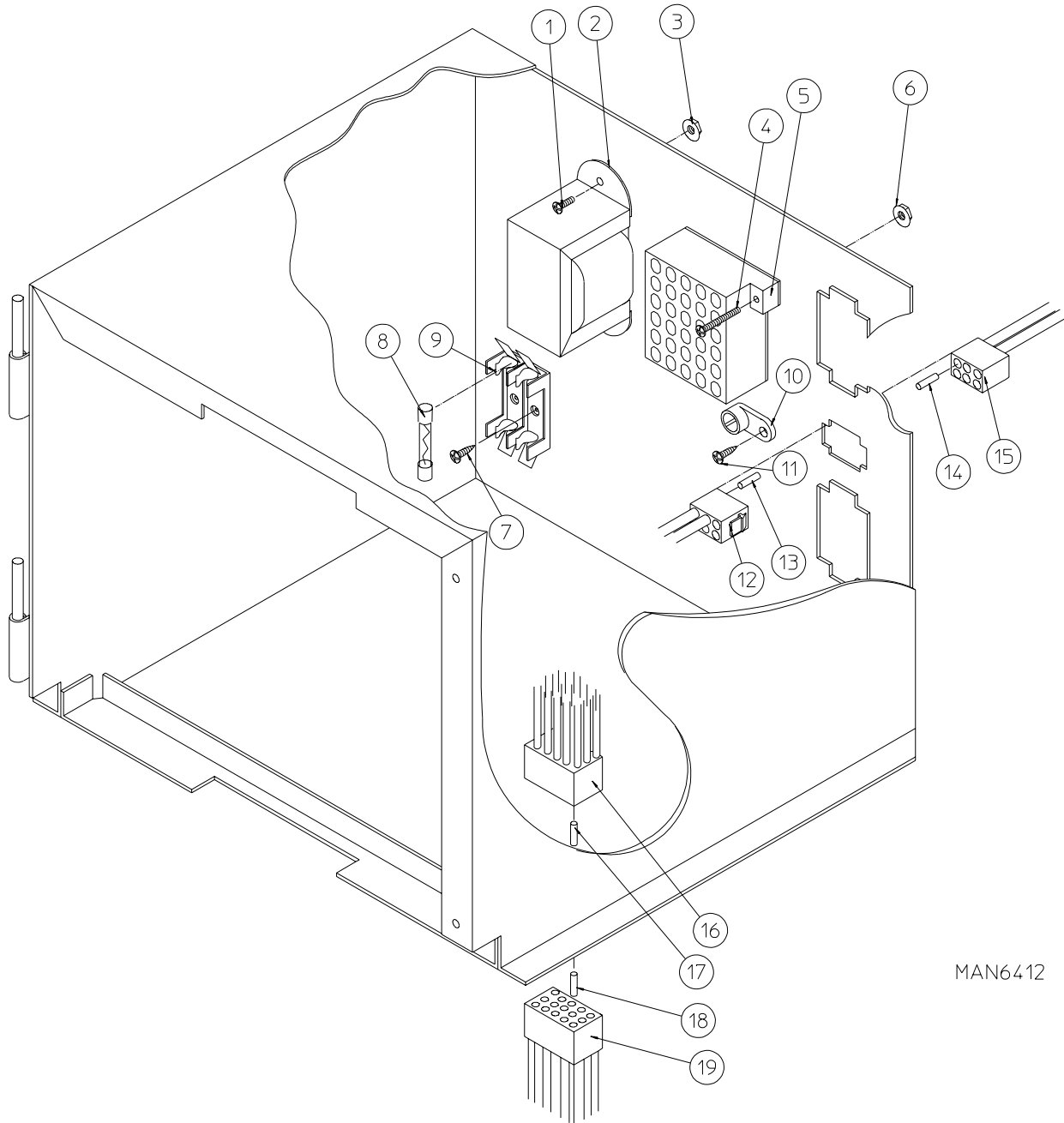
\* Specify color when ordering.



| <u>Illus No.</u> | <u>Part No.</u> | <u>Qty.</u> | <u>Description</u>  |
|------------------|-----------------|-------------|---|
| 1                | 112571          | 1           | Phase 7 Non-Coin Keyboard   |
| 2                | 850979          | 1           | Phase 7 Non-Coin Microprocessor Controller (computer) Panel ONLY  |
| 3                | 883732          | 1           | Phase 7 Non-Coin Reversing Microprocessor Controller (computer) Control Panel Assembly Complete<br>(includes illus. nos. 1 through 7) |
|                  | 883745          | 1           | Phase 7 Non-Coin Microprocessor Controller (computer) ONLY  |
| 4                | 150005          | 4           | #6-32 x 3/4" Phillips Round Head Machine Screw  |
| 5                | 153010          | 4           | #6 Star Washer  |
| 6                | 136016          | 1           | 5-amp Fuse  |
| 7                | 136097          | 1           | 500-mA (Slo-Blo) Fuse   |



| <u>Illus. No.</u> | <u>Part No.</u> | <u>Qty.</u> | <u>Description</u>  |
|-------------------|-----------------|-------------|---|
| 1                 | 883252          | 1           | Large Black Main Door Handle  |
| 2                 | 151010          | 1           | #10-32 Hex Acorn Lock Nut (black)   |
| 3                 | 150120          | 1           | #10-32 x 0.4375 Door Latch Screw  |
| 4                 | 152014          | 6           | 1/4-20 Free Spin Wash Nut   |
| 5                 | 102214          | 1           | 30" Door Glass  |
| 6                 | 102357          | 1           | Large Steel Door Gasket   |
| 7                 | 151013          | 4           | #10-32 Acorn Nut (black)  |
| 8                 | 150683          | 6           | 1/4-20" x 5/8" Carriage Bolt  |
| 9                 | 102361          | 1           | 3/32" x 1/2" Black Gasket Tape  |
| 10                | 835056          | 1           | Door Hinge  |
| 11                | 835057          | 1           | Cold Rolled Steel (CRS) Door Ring Assembly  |
| 12                | 110006          | 2"          | 1/2" Black Strapping Tape   |
| ---               | 883083          | 1           | Black Large Cold Rolled Steel (CRS) Main Door Assembly<br>(includes illus. nos. 1 through 12) |

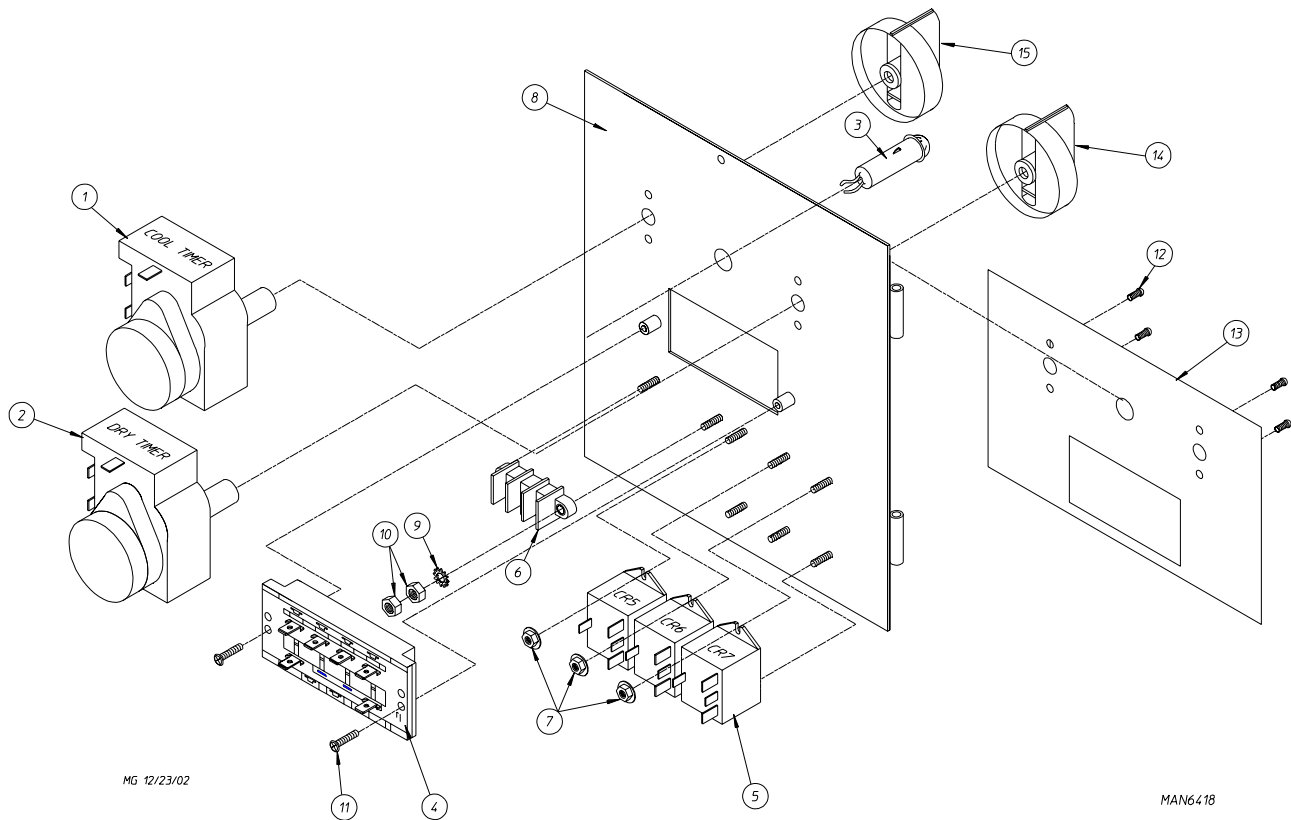


MAN6412

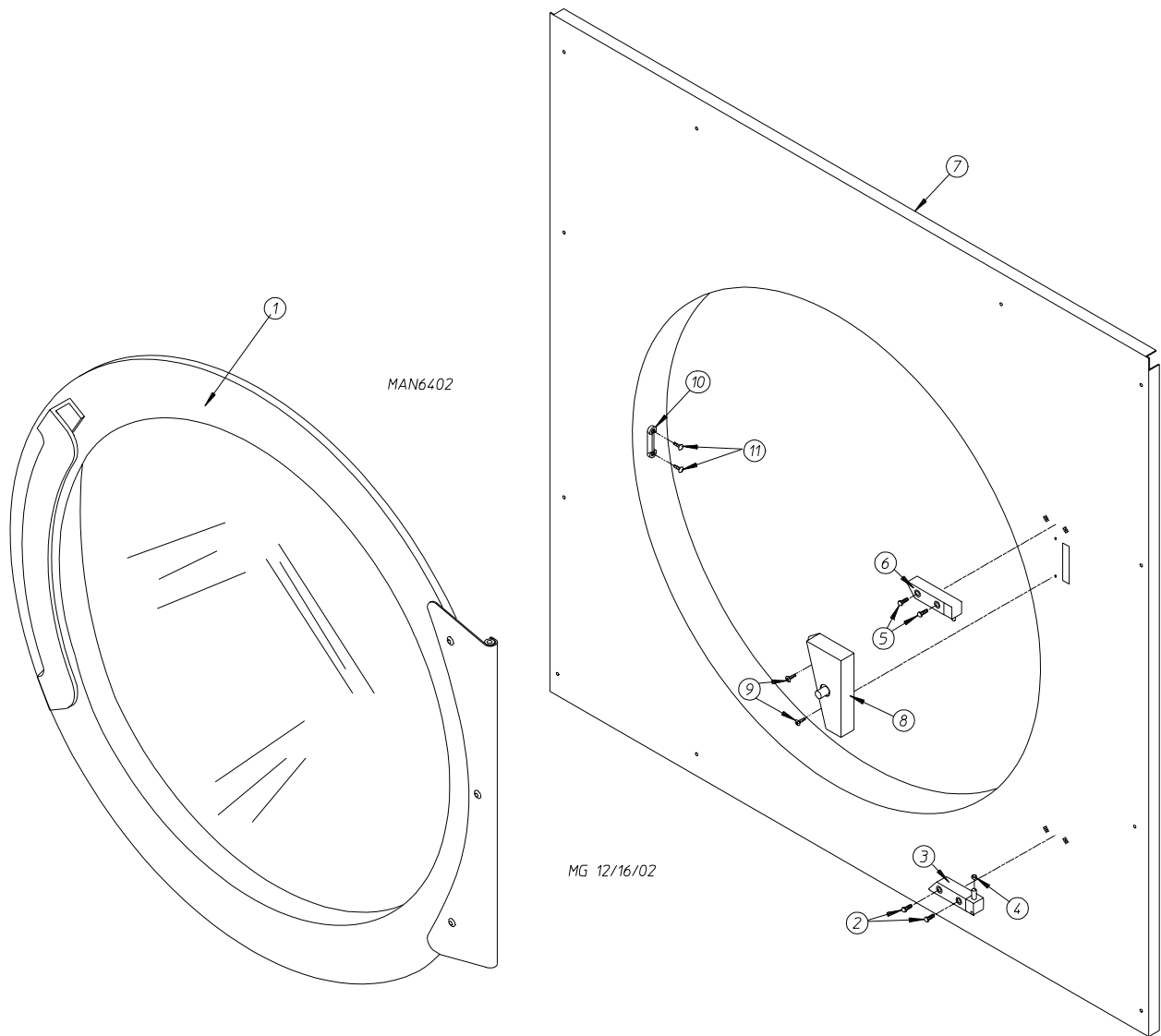


| <u>Illus. No.</u> | <u>Part No.</u> | <u>Qty.</u> | <u>Description</u>   |
|-------------------|-----------------|-------------|--|
| 1                 | 150100          | 2           | #8-32 x 1/2" Phillips Round Head Machine Screw                       |
| 2                 | 141403          | 1           | 24 VAC Transformer – 50/60 Hz (for gas models and steam models Only) |
| 3                 | 151001          | 2           | #8-23 Pal Nut  |
| 4                 | 150002          | 2           | #6-32 x 1" Phillips Round Head Machine Screw                         |
| 5                 | 120715          | 1           | 30-Position Terminal Block   |
| 6                 | 151000          | 2           | #6-32 Pal Nut  |
| 7                 | 150102          | *           | #8 x 3/8" Phillips Round Head TEK Screw                              |
| 8                 | 136057          | 2           | 1/2-amp (Slo-Blo) Fuse ONLY  |
|                   | 182453          | 1           | Amp (fast acting) Fuse (for electric models Only)                    |
| 9                 | 136008          | *           | Fuse Block/Strip ONLY  |
| 10                | 150413          | 1           | #10-16 x 1/2" Torx Crimptite Screw                                   |
| 11                | 121010          | 1           | L-70 Ground Lug  |
| 12                | 122631          | 1           | 6-Pin Connector ONLY   |
| 13                | 122705          | *           | Socket Terminal ONLY   |
| 14                | 122704          | *           | Pin Terminal ONLY  |
| 15                | 122630          | 1           | 6-Pin Connector ONLY   |
|                   | 137025          | 1           | 6/15-Position Strain Relief (not illustrated)                        |
| 16                | 122625          | 1           | 15-Pin Connector ONLY  |
| 17                | 122704          | 12          | Pin Terminal ONLY  |
| 18                | 122705          | 12          | Socket Terminal ONLY   |
| 19                | 122626          | 1           | 15-Pin Socket Connector ONLY   |
| ---               | 122801          | 1           | Pin/Socket Extraction Tool   |

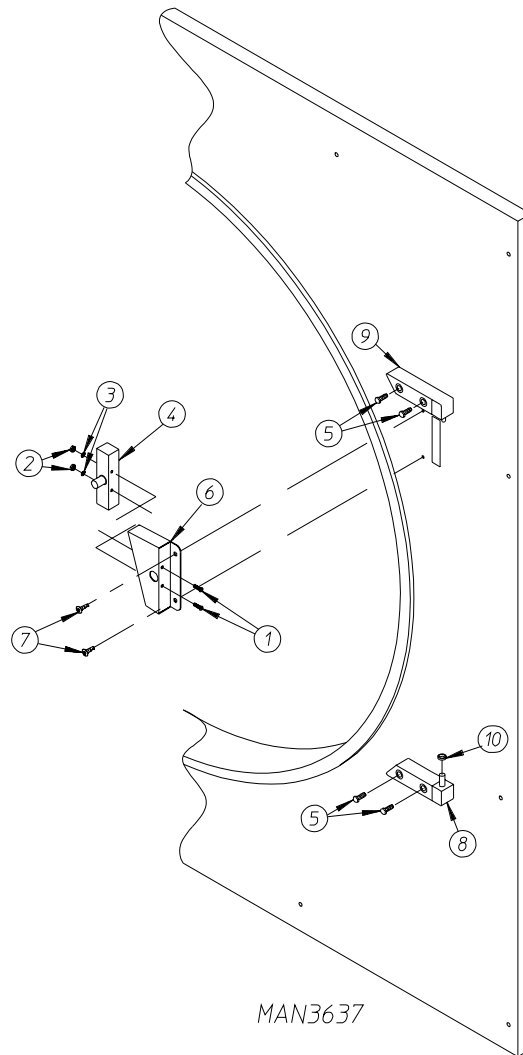
\* As required (either 2 or 3).



| <u>Illus. No.</u> | <u>Part No.</u> | <u>Qty.</u> | <u>Description</u>  |
|-------------------|-----------------|-------------|---|
| 1                 | 124030          | 1           | 15 Minute Timer – 24 VAC  |
| 2                 | 124025          | 1           | 60 Minute Timer – 24 VAC  |
| 3                 | 824175          | 1           | Red Pilot Light – 24 VAC  |
| 4                 | 122301          | 1           | "Tap Touch" Switch  |
| 5                 | 131932          | 3           | Relay SPST 24 Volt  |
| 6                 | 120708          | 1           | Terminal Closed Block   |
| 7                 | 151000          | 6           | #6-32 Pal Nut   |
| 8                 | 824067          | 1           | Dual Timer Panel ONLY   |
| 9                 | 153010          | 2           | #6 Star Washer  |
| 10                | 152000          | 2           | #6-32 Hex Nut   |
| 11                | 150207          | 2           | #10-24 x 1/2" Phillips Pan Head Machine Screw                             |
| 12                | 150110          | 4           | #8-32 x 1/4" Phillips Round Head Machine Screw                            |
| 13                | 112563          | 1           | Dual Timer Panel Overlay  |
| 14                | 124104          | 1           | Pure Touch Knob with Red Pointer  |
| 15                | 124105          | 1           | Pure Touch Knob with Blue Pointer   |
| ---               | 824296          | 1           | Dual Timer Panel Complete Assembly<br>(includes illus. nos. 1 through 15) |

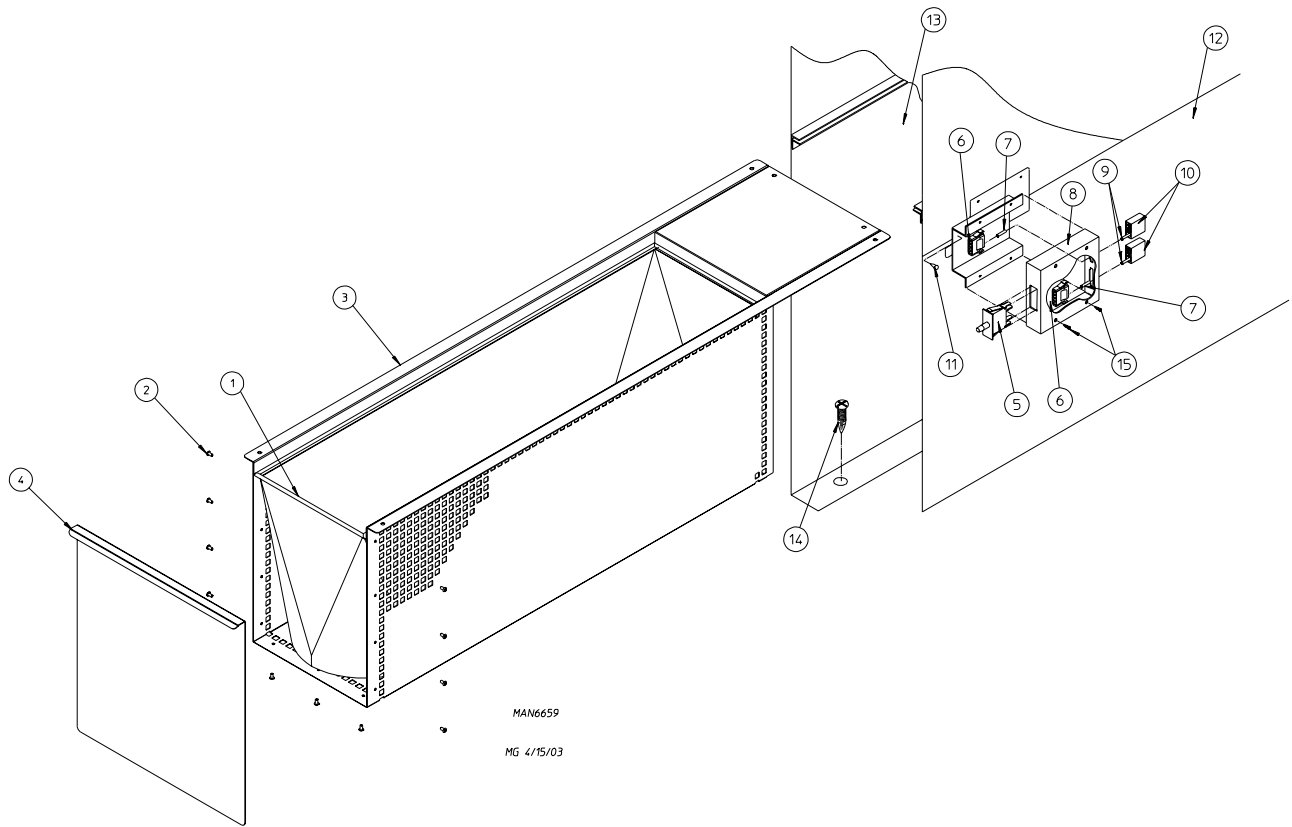


| <u>Illus. No.</u> | <u>Part No.</u> | <u>Qty.</u> | <u>Description</u>                                    |
|-------------------|-----------------|-------------|---|
| 1                 | 883083          | 1           | Black Cold Rolled Steel (CRS) Main Door Assembly      |
| 2                 | 150445          | 2           | Socket Cap Screw (black)                              |
| 3                 | 170331          | 1           | Bottom Hinge Block                                    |
| 4                 | 153031          | 2           | Nylon Washer  |
| 5                 | 150445          | 2           | Socket Cap Screw (black)                              |
| 6                 | 170329          | 1           | Top Hinge Block                                       |
| 7                 | 851081          | 1           | Front Panel Assembly for Cold Rolled Steel (CRS) Door |
| 8                 | 801786          | 1           | Main Door Switch and Housing                          |
| 9                 | 150301          | 2           | #8 x 7/16" Phillips Head TEK Screw                    |
| 10                | 170330          | 1           | Friction Door Latch                                   |
| 11                | 154215          | 2           | 5/32" x 1/4" Rivet                                    |



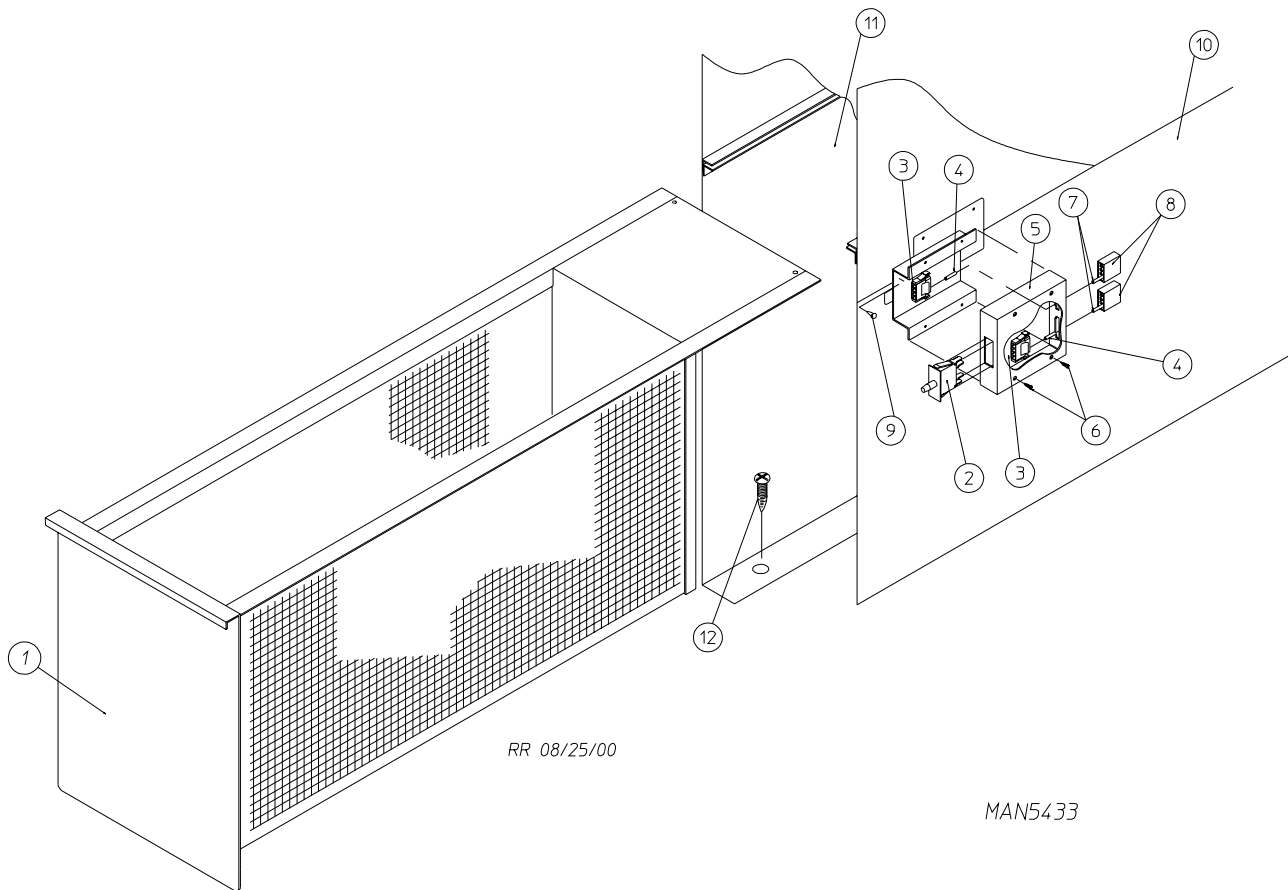
| <u>Illus. No.</u> | <u>Part No.</u> | <u>Qty.</u> | <u>Description</u>   |
|-------------------|-----------------|-------------|--|
| 1                 | 150006          | 2           | #6-32 x 7/8" Phillips Pan Head Machine Screw   |
| 2                 | 152013          | 2           | #6-32 Hex Nut  |
| 3                 | 153010          | 2           | #6 Star Washer   |
| 4                 | 137005          | 1           | Single-Pole Door Switch  |
| 5                 | 150445          | 4           | 1/4-20 x 3/4" Socket Head Cap Screw  |
| 6                 | 881687          | 1           | Main Door Switch Housing ONLY (white)  |
|                   | 881695          | 1           | Main Door Switch Housing ONLY (blue)   |
|                   | 881702          | 1           | Main Door Switch with Housing Assembly (white)<br>(includes illus. nos. 1 through 4 and 6) |
|                   | 881700          | 1           | Main Door Switch with Housing Assembly (blue)<br>(includes illus. nos. 1 through 4 and 6)  |
| 7                 | 150443          | 2           | 1/4-20 x 3/4" Stainless Steel Cap Screw  |
| 8                 | 881441          | 1           | Bottom Hinge Block (white)   |
|                   | 881735          | 1           | Bottom Hinge Block (blue)  |
| 9                 | 881440          | 1           | Top Hinge Block (white)  |
|                   | 881736          | 1           | Top Hinge Block (blue)   |
| 10                | 153031          | 1           | Nylon Washer   |

For Models Mfd. as of March 25, 2003

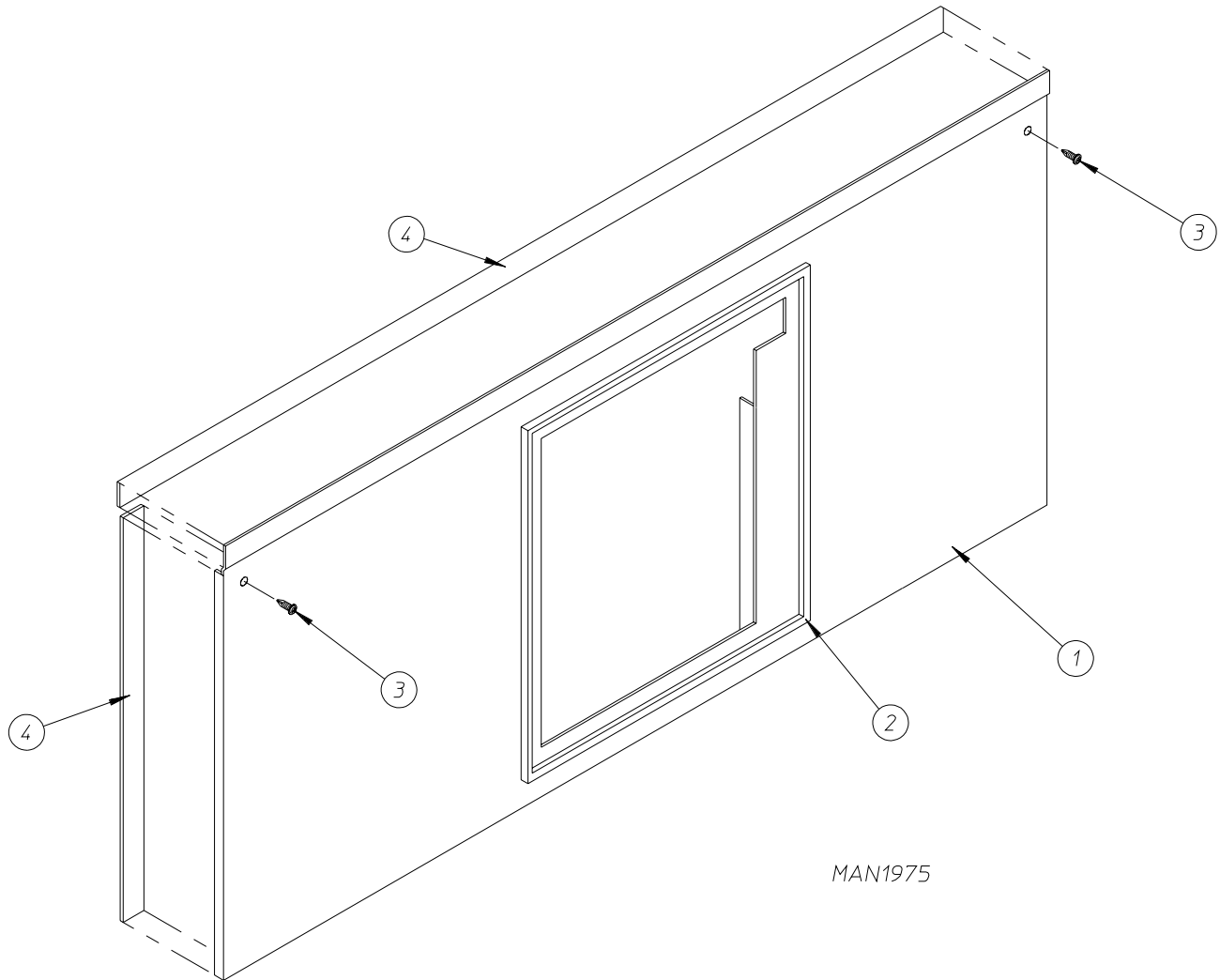


| <u>Illus. No.</u> | <u>Part No.</u> | <u>Qty.</u> | <u>Description</u>  |
|-------------------|-----------------|-------------|---|
| 1                 | 108209          | 1           | Lint Bag  |
| 2                 | 154211          | 11          | Button Head Rivet   |
| 3                 | 850949          | 1           | Lint Basket   |
| 4                 | 801137          | 1           | Lint Drawer Handle  |
|                   | 801138          | 1           | Stainless Steel Lint Drawer Handle  |
|                   | 883828          | 1           | Stainless Steel Lint Drawer Assembly<br>(includes illus. nos. 2 through 4)            |
|                   | 883829          | 1           | Lint Drawer Assembly<br>(includes illus. nos. 2 through 4)                            |
| 5                 | 122116          | 1           | Lint Drawer Switch ONLY   |
| 6                 | 122605          | 1           | 4-Pin Socket Connector  |
| 7                 | 122701          | 2           | Socket Terminal ONLY  |
|                   | 122801          | 1           | Pin/Socket Extraction Tool  |
| 8                 | 882507          | 1           | Lint Drawer Switch Box Assembly Complete<br>(includes illus. nos. 6 through 8 and 15) |
| 9                 | 122700          | 2           | Pin Terminal ONLY   |
| 10                | 122604          | 1           | 4-Pin Connector   |
| 11                | 150301          | 2           | #8-18 x 7/16" Phillips Pan Head TEK Screw   |
| 12                | 319076          | 1           | Right Hand Divider Panel  |
| 13                | 319077          | 1           | Left Hand Divider Panel   |
| 14                | 150301          | 14          | #8-18 x 7/16" Phillips Pan Head TEK Screw   |
| 15                | 150301          | 4           | #8-18 x 7/16" Phillips Pan Head TEK Screw   |

For Models Mfd. prior to March 25, 2003

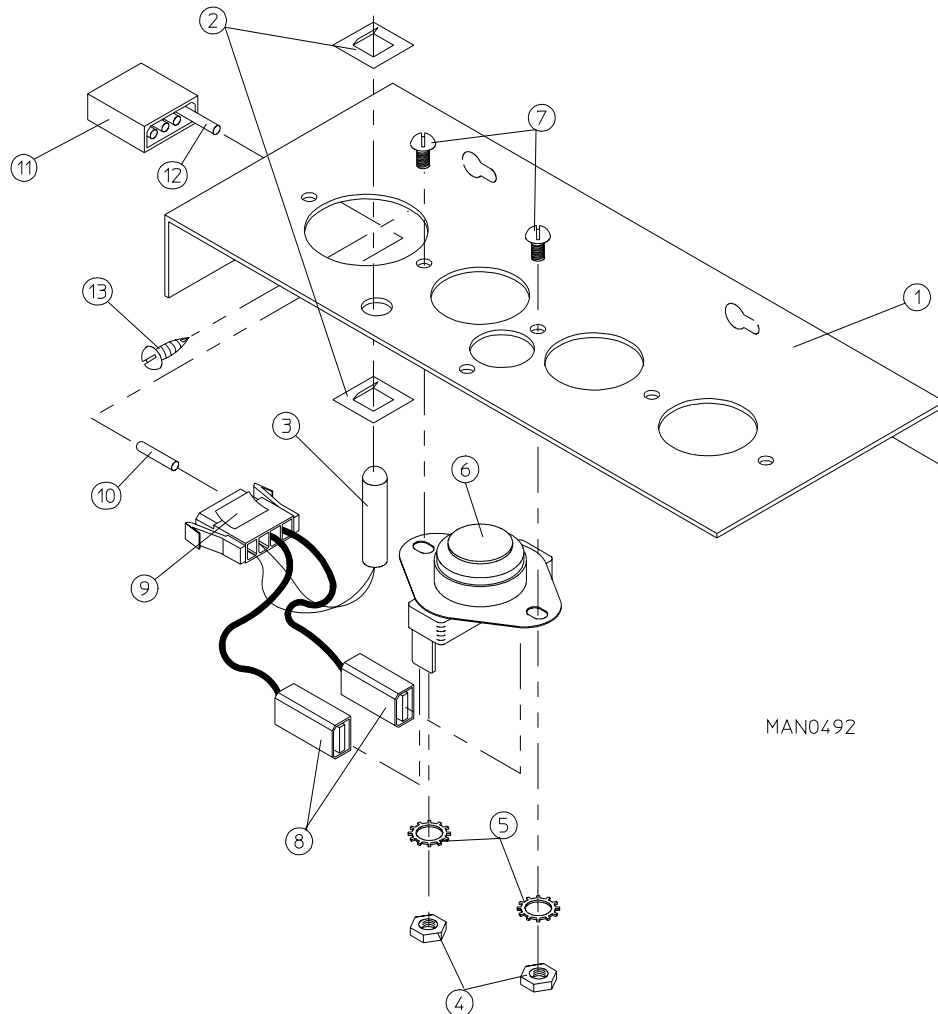


| <u>Illus. No.</u> | <u>Part No.</u> | <u>Qty.</u> | <u>Description</u>   |
|-------------------|-----------------|-------------|--|
| 1                 | 802106          | 1           | Lint Basket Assembly   |
|                   | 802125          | 1           | Stainless Steel Lint Basket Assembly   |
| 2                 | 122116          | 1           | Lint Drawer Switch ONLY  |
| 3                 | 122605          | 1           | 4-Pin Socket Connector   |
| 4                 | 122701          | 2           | Socket Terminal ONLY   |
|                   | 122801          | 1           | Pin/Socket Extraction Tool   |
| 5                 | 882507          | 1           | Lint Drawer Switch Box Assembly Complete<br>(includes illus. nos. 3 through 6) |
| 6                 | 150301          | 4           | #8-18 x 7/16" Phillips Pan Head TEK Screw                                      |
| 7                 | 122700          | 2           | Pin Terminal ONLY  |
| 8                 | 122604          | 1           | 4-Pin Connector  |
| 9                 | 150301          | 2           | #8-18 x 7/16" Phillips Pan Head TEK Screw                                      |
| 10                | 319076          | 1           | Right Hand Divider Panel   |
| 11                | 319077          | 1           | Left Hand Divider Panel  |
| 12                | 150301          | 14          | #8-18 x 7/16" Phillips Pan Head TEK Screw                                      |



| <u>Illus. No.</u> | <u>Part No.</u> | <u>Qty.</u> | <u>Description</u>                                       |
|-------------------|-----------------|-------------|--|
| 1                 | 824256*         | 1           | Lint Door Assembly<br>(includes illus. nos. 1, 2, and 4) |
|                   | 820021          | 1           | Stainless Steel Lint Door Assembly                       |
| 2                 | 117602          | 5           | Gasket (sold by the foot)                                |
| 3                 | 150309          | 5           | #10-16 x 1/2" Hex Head TEK Crimptite Screw               |
| 4                 | 117604          | 8           | Neoprene Sponge Tape (sold by the foot)                  |

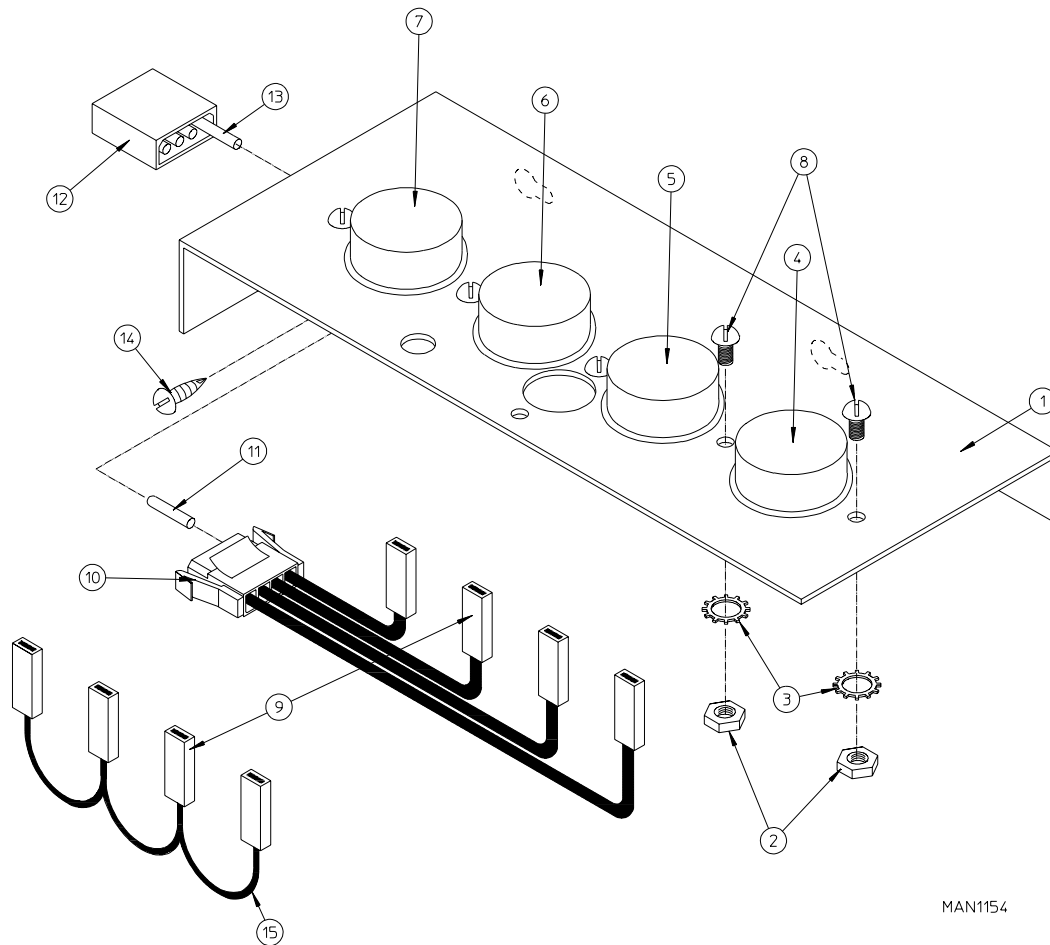
\* Specify color when ordering.



MAN0492

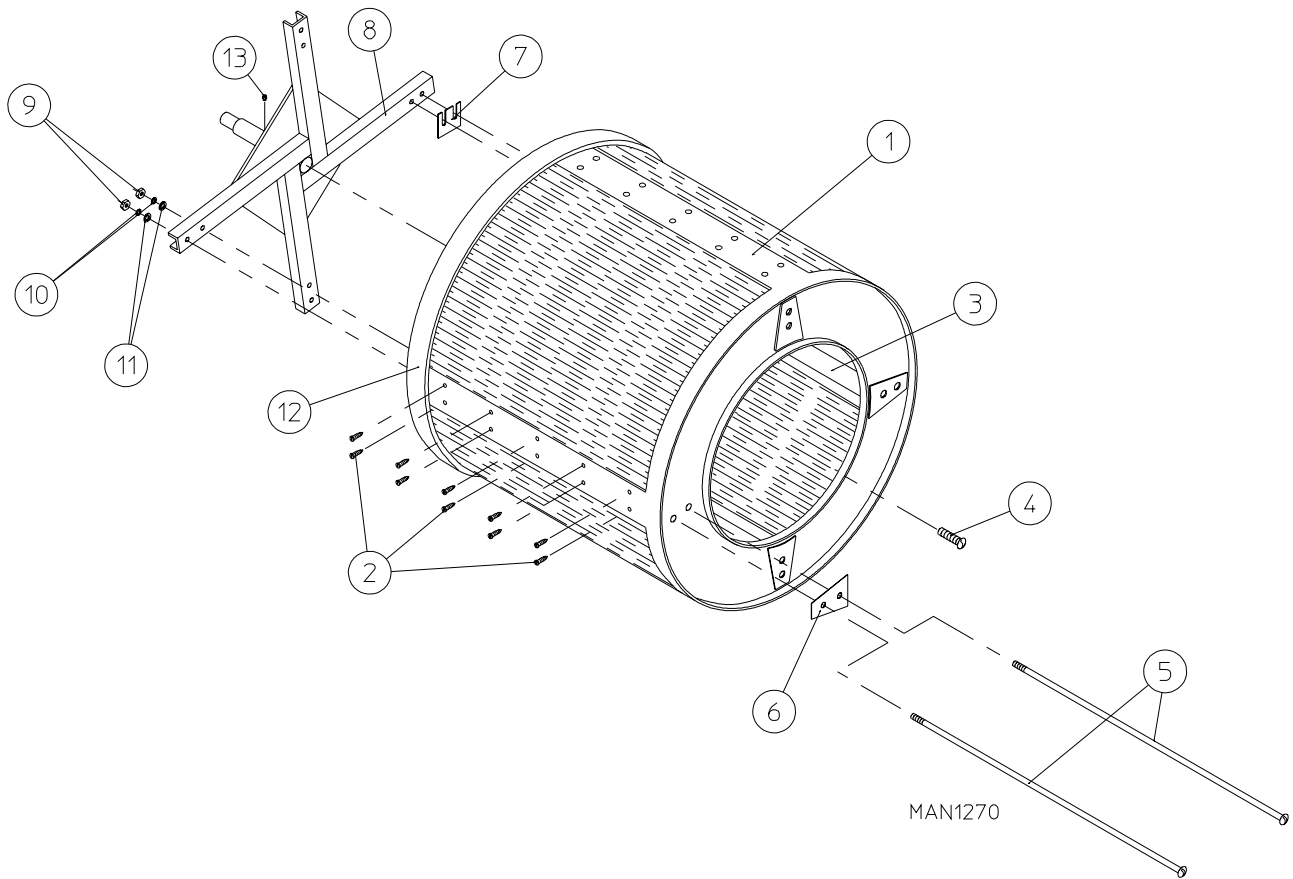
| <u>Illus. No.</u> | <u>Part No.</u> | <u>Qty.</u> | <u>Description</u>   |
|-------------------|-----------------|-------------|--|
| 1                 | 820022          | 1           | Microprocessor Controller (computer) Temperature Sensor Bracket Assembly Complete<br>(includes illus. nos. 1 through 10) |
|                   | 331295          | 1           | Temperature Sensor Bracket ONLY  |
| 2                 | 154007          | 2           | 1/4" Tinnerman Push On Fastener  |
| 3                 | 880251          | 1           | 1/4" Temperature Sensor Probe Assembly<br>(includes illus. nos. 2, 3, and 8 through 10)                                  |
| 4                 | 152000          | 2           | #6-32 Hex Nut  |
| 5                 | 153010          | 2           | #6 Star Washer   |
| 6                 | 130302          | 1           | 225° Large Automatic Reset Thermostat ONLY   |
| 7                 | 150000          | 2           | #6-32 x 1/4" Round Head Machine Screw  |
| 8                 | 121028          | 2           | Insulated Terminal   |
| 9                 | 122605          | 1           | 4-Pin Socket Connector ONLY  |
| 10                | 122701          | 4           | Socket Terminal ONLY   |
| 11                | 122604          | 1           | 4-Pin Connector ONLY   |
| 12                | 122700          | 4           | Pin Terminal ONLY  |
|                   | 122801          | 1           | Pin/Socket Extraction Tool   |
| 13                | 150301          | 2           | #8-18 x 7/16" Phillips Pan Head TEK Screw  |





MAN1154

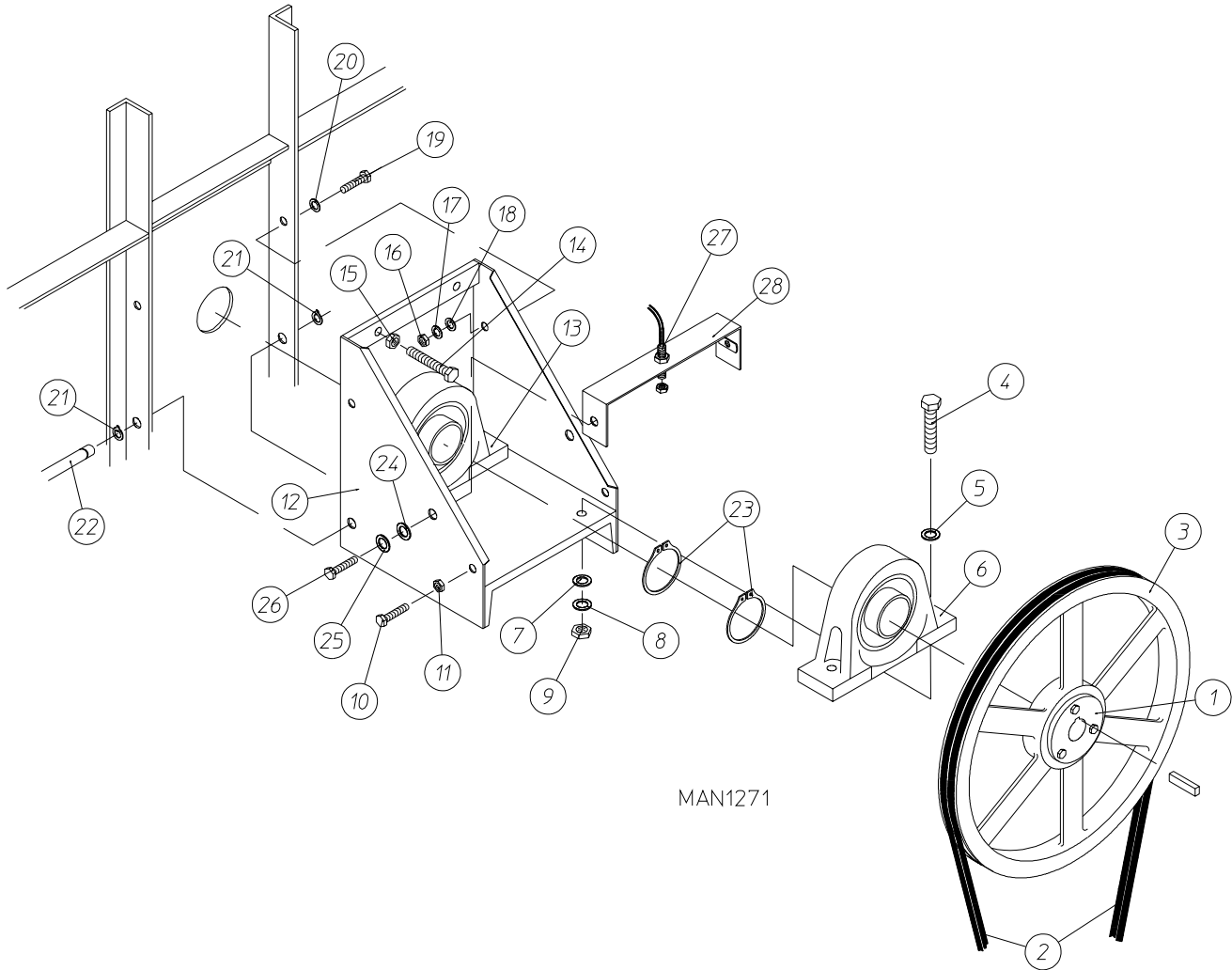
| <u>Illus. No.</u> | <u>Part No.</u> | <u>Qty.</u> | <u>Description</u>  |
|-------------------|-----------------|-------------|---|
| 1                 | 801404          | 1           | Dual Timer Sensor Bracket Assembly Complete<br>(includes illus. nos. 1 through 11 and 15) |
|                   | 331295          | 1           | Sensor Bracket ONLY   |
| 2                 | 152000          | 5           | #6-32 Hex Nut   |
| 3                 | 153010          | 5           | #6 Star Washer  |
| 4                 | 130302          | 1           | 225° Large Thermostat ONLY  |
| 5                 | 130107          | 1           | 160° Large Thermostat ONLY  |
| 6                 | 130109          | 1           | 140° Large Thermostat ONLY  |
| 7                 | 130101          | 1           | 180° Large Thermostat ONLY  |
| 8                 | 150001          | 5           | #6-32 x 1/2" Phillips Round Head Machine Screw  |
| 9                 | 121028          | 8           | Insulated Terminal  |
| 10                | 122605          | 1           | 4-Pin Socket (female) Connector ONLY  |
|                   | 840062          | 1           | Sensor Bracket Harness Assembly<br>(includes illus. nos. 9 through 11)                    |
| 11                | 122701          | 4           | Socket Terminal ONLY  |
| 12                | 122604          | 1           | 4-Pin Connector ONLY  |
| 13                | 122700          | 4           | Pin Terminal ONLY   |
|                   | 122801          | 1           | Pin/Extraction Tool   |
| 14                | 150301          | 2           | #8-18 x 7/16" Phillips Pan Head TEK Screw   |
| 15                | 840065          | 1           | Sensor Jumper Harness ONLY  |



| <u>Illus. No.</u> | <u>Part No.</u> | <u>Qty.</u> | <u>Description</u>  |
|-------------------|-----------------|-------------|---|
| 1                 | 820110*         | 1           | Basket (tumbler) ONLY without Felt Collar   |
|                   | 820111*         | 1           | Stainless Steel Basket (tumbler) ONLY without Felt Collar   |
|                   | 820052          | 1           | Basket (tumbler) and Support Assembly Complete with Rotational Sensor Option<br>(includes illus. nos. 1 through 12)                 |
|                   | 820029          | 1           | Stainless Steel Basket (tumbler) and Support Assembly Complete with Rotational Sensor Option<br>(includes illus. nos. 1 through 12) |
| 2                 | 150413          | 40          | #10-16 x 1/2" TORX Crimptite Screw  |
| 3                 | 331105          | 4           | Basket (tumbler) Rib ONLY   |
|                   | 331106          | 4           | Stainless Steel Basket (tumbler) Rib ONLY   |
| 4                 | 150500          | 1           | 5/16-18 x 3/4" Socket Button Head Screw   |
| 5                 | 100910          | 8           | 1/2-13 x 44" Tie Rod  |
| 6                 | 301700          | 4           | Basket (tumbler) Reinforcing Plate ONLY   |
| 7                 | 301701          | **          | Basket (tumbler) Shim ONLY  |
| 8                 | 820116          | 1           | Basket (tumbler) Support ONLY with Rotational Sensor Option   |
| 9                 | 152011          | 8           | 1/2-13 Hex Nut  |
| 10                | 153026          | 8           | 1/2" Lock Washer  |
| 11                | 153011          | 8           | 9/16" Flat Washer   |
| 12                | 116006          | 1           | Felt Collar ONLY  |
|                   | 401010          | 1           | #847 Adhesive for Felt Collar (5 oz. tube)  |
| 13                | 821002          | 1           | Rotational Magnet Holder Assembly   |

\* Felt collar *is not included* and **must be** ordered separately.

\*\* As required.

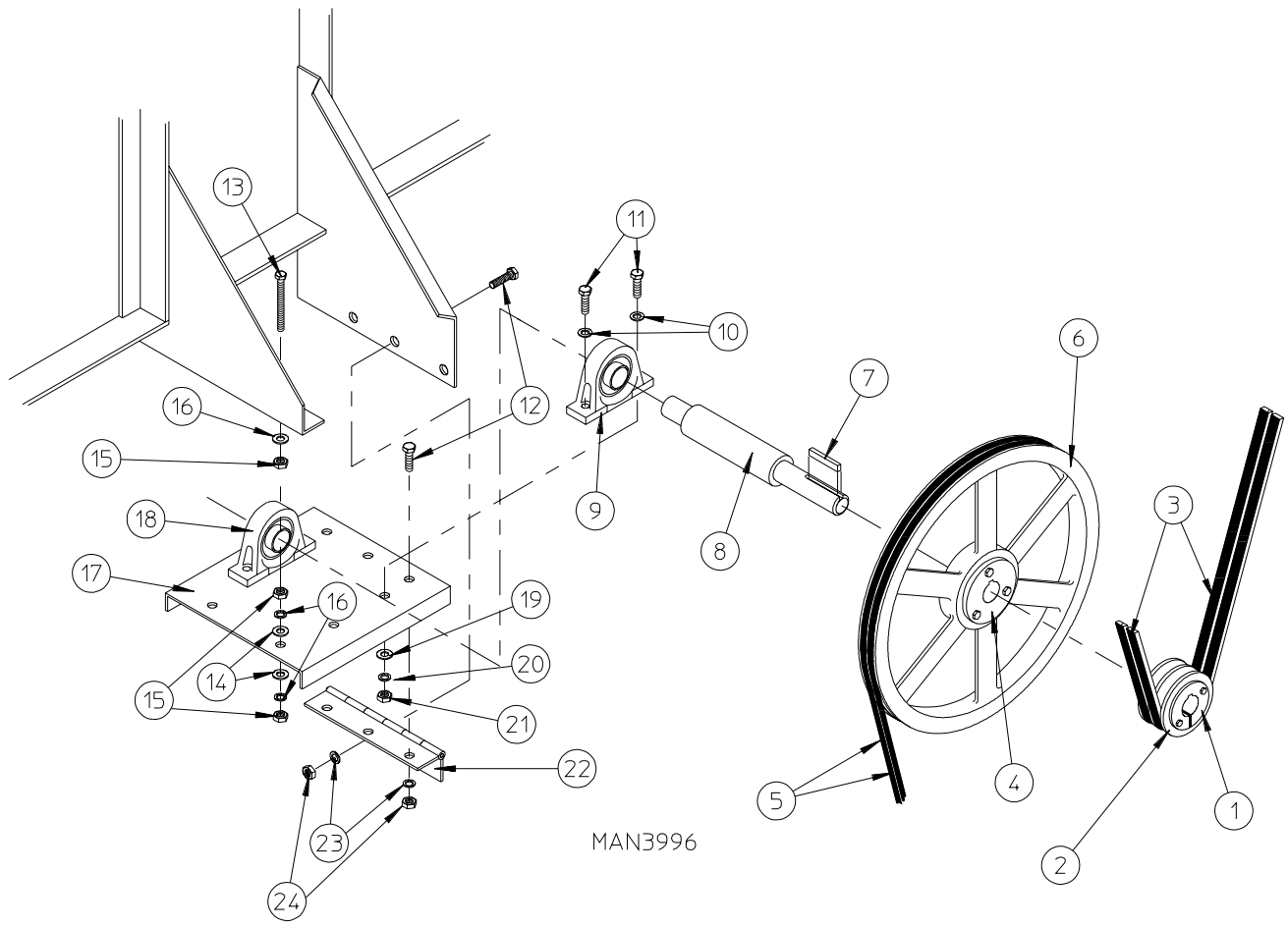


MAN1271

---

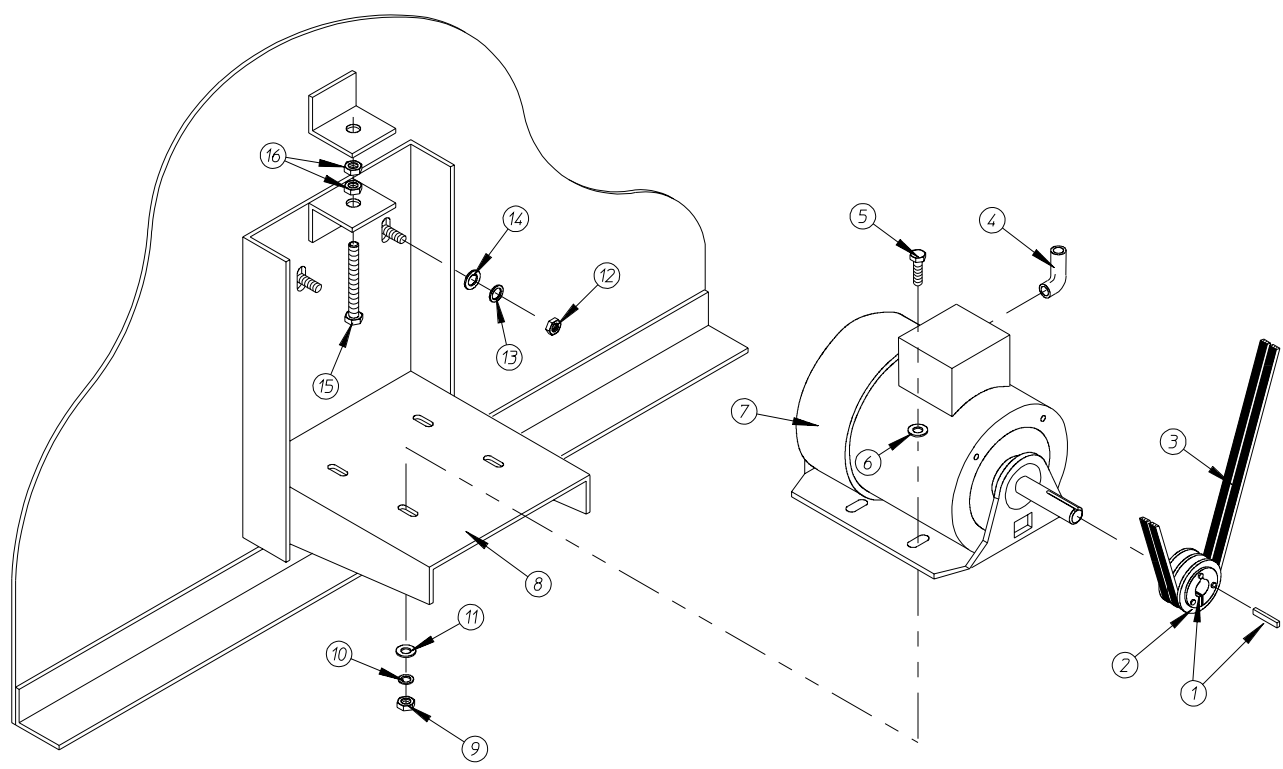
| <u>Illus. No.</u> | <u>Part No.</u> | <u>Qty.</u> | <u>Description</u>   |
|-------------------|-----------------|-------------|--|
| 1                 | 101137          | 1           | 2-1/4" SFX Bushing   |
| 2*                | 100135          | 2           | AP-74 V-Belt   |
| 3                 | 101136          | 1           | 20" Basket (tumbler) Pulley  |
| 4                 | 150602          | 4           | 5/8-11 x 3" Hex Head Machine Bolt  |
| 5                 | 153016          | 4           | 5/8" Flat Washer   |
| 6                 | 883767          | 1           | 2-1/4" (Griplock) Pillow Block Bearing ONLY                                    |
| 7                 | 153016          | 4           | 5/8" Flat Washer   |
| 8                 | 153015          | 4           | 5/8" Lock Washer   |
| 9                 | 152010          | 4           | 5/8-11 Hex Nut   |
| 10                | 150600          | 2           | 3/8-16 x 1-1/2" Hex Head Machine Bolt  |
| 11                | 152005          | 2           | 3/8-16 Hex Nut   |
| 12                | 801102          | 1           | Basket (tumbler) Bearing Mount Assembly<br>(includes illus. nos. 4 through 13) |
| 13                | 883767          | 1           | 2-1/4" (Griplock) Pillow Block Bearing ONLY                                    |
| 14                | 150603          | 2           | 1/2-13 x 3" Square Head Machine Bolt   |
| 15                | 152011          | 2           | 1/2-13 Hex Nut   |
| 16                | 152005          | 2           | 3/8-16 Hex Nut   |
| 17                | 153005          | 2           | 3/8" Lock Washer   |
| 18                | 153004          | 4           | 3/8" Flat Washer   |
| 19                | 150600          | 2           | 3/8-16 x 1-1/2" Hex Head Machine Bolt  |
| 20                | 153004          | 2           | 3/8" Flat Washer   |
| 21                | 100801          | 2           | 5/8" Retaining Ring  |
| 22                | 883033          | 1           | 5/8" Hinge Pin Assembly  |
| 23                | 100811          | 2           | 2-1/4" Retaining Ring  |
| 24                | 153018          | 2           | 1/4" Flat Washer   |
| 25                | 153007          | 2           | 1/4" Lock Washer   |
| 26                | 150512          | 2           | 1/4-20 x 1/2" Hex Head Machine Bolt  |
| 27                | 883386          | 1           | Rotational Sensor Assembly   |
| 28                | 880841          | 1           | Rotational Sensor Mounting Bracket   |

\* Replace in matched sets (both belts).



| <u>Illus. No.</u> | <u>Part No.</u> | <u>Qty.</u> | <u>Description</u>   |
|-------------------|-----------------|-------------|--|
| 1                 | 101110          | 1           | 1" Bushing   |
| 2                 | 101113          | 1           | 2A3.0 Pulley   |
| 3*                | 100135          | 1           | AP-74 V-Belt   |
| 4                 | 101107          | 1           | 1" SK Bushing  |
| 5*                | 100170          | 1           | 3V-710 V-Belt  |
| 6                 | 101112          | 1           | 19" Idler Pulley   |
| 7                 | 100715          | 1           | 1/4" x 1/4" x 4-5/8" Key   |
| 8                 | 301852          | 1           | 1" Idler Shaft ONLY  |
| 9                 | 880205          | 1           | 1" Pillow Block Bearing ONLY   |
| 10                | 153004          | 4           | 3/8" Flat Washer   |
| 11                | 150600          | 4           | 3/8-16 x 1-1/2" Hex Head Machine Bolt  |
| 12                | 150512          | 6           | 1/4-20 x 1/2" Hex Head Machine Bolt  |
| 13                | 150509          | 2           | 5/16-18 x 3" Hex Head Machine Bolt   |
| 14                | 153001          | 4           | 5/16" Flat Washer  |
| 15                | 152004          | 6           | 5/16" Hex Nut  |
| 16                | 153002          | 8           | 5/16" Lock Washer  |
| 17                | 801001          | 1           | Idler Bearing Mount Assembly Complete<br>(includes illus. nos. 8 through 12 and 17 through 24) |
|                   | 311401          | 1           | Idler Bearing Mount ONLY   |
| 18                | 880205          | 1           | 1" Pillow Block Bearing ONLY   |
| 19                | 153004          | 4           | 3/8" Flat Washer   |
| 20                | 153005          | 4           | 3/8" Lock Washer   |
| 21                | 152005          | 4           | 3/8-16 Hex Nut   |
| 22                | 103005          | 1           | Idler Adjustment Hinge ONLY  |
| 23                | 153007          | 6           | 1/4" Lock Washer   |
| 24                | 152002          | 6           | 1/4-20 Hex Nut   |

\* Replace in matched sets (both belts).



MAN0329

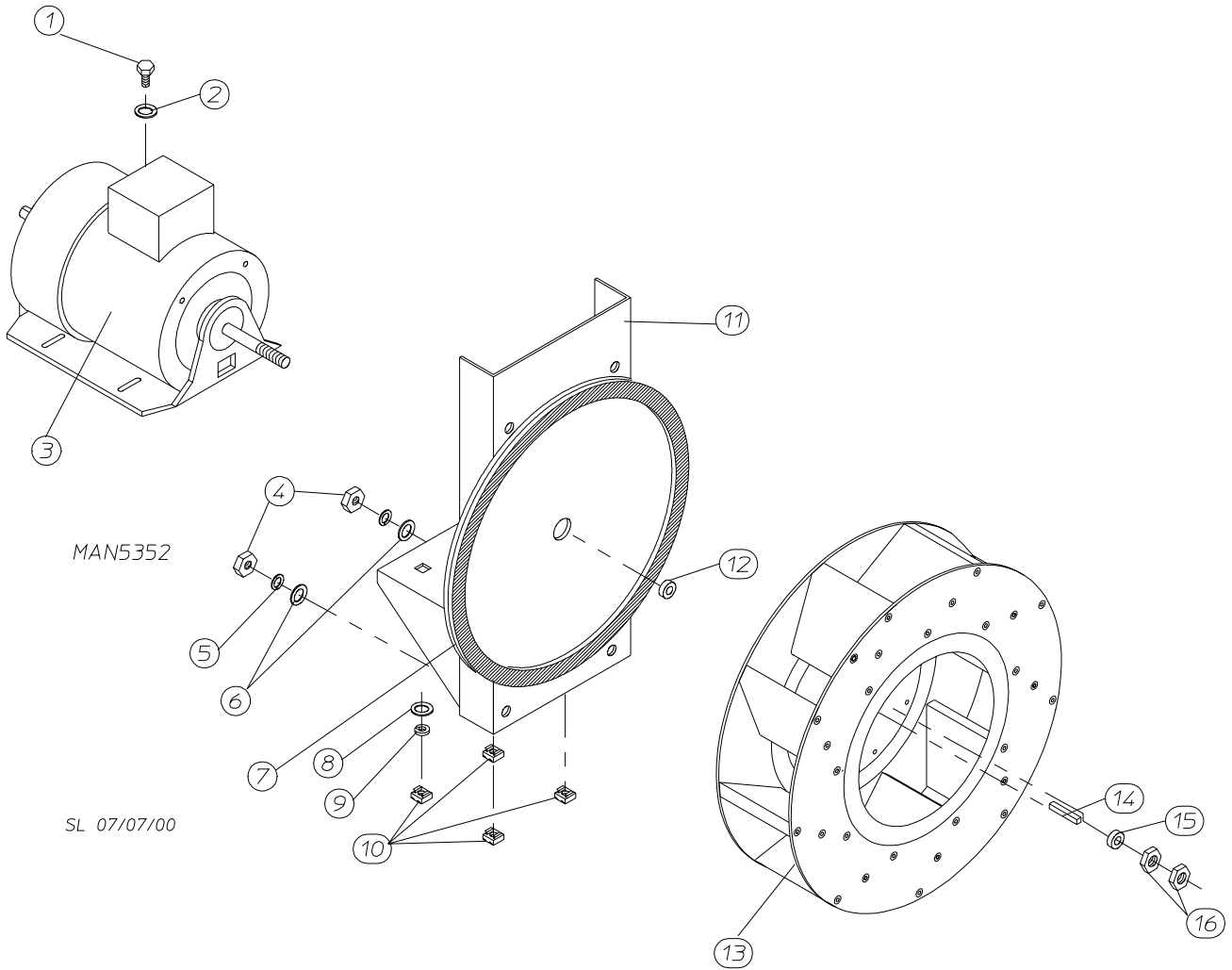


| <u>Illus. No.</u> | <u>Part No.</u> | <u>Qty.</u> | <u>Description</u>   |
|-------------------|-----------------|-------------|--|
| 1                 | 101121          | 1           | 5/8" SK Bushing  |
| 2                 | 101114          | 1           | 2.65" Pulley (for 60 Hz models Only)   |
|                   | 101120          | 1           | 3.15" Pulley (for 50 Hz models Only)   |
| 3*                | 100170          | 1           | 3V-710 V-Belt  |
| 4                 | 120200          | 1           | 3/8" x 90° Connector   |
| 5                 | 150501          | 4           | 5/16-18 x 3/4" Hex Head Machine Bolt   |
| 6                 | 153001          | 4           | 5/16" Flat Washer  |
| 7                 | 100029          | 1           | 3/4 hp 208/230/460v 3ø 50/60 Hz and 380v 3ø 50 Hz Totally Enclosed, Fan-Cooled (T.E.F.C.) Motor (56Z frame)                          |
|                   | 100084          | 1           | 3/4 hp 380v 3ø 60 Hz Totally Enclosed, Fan-Cooled (T.E.F.C.) Motor (56Z frame)   |
| 8                 | 800952          | 1           | Basket (tumbler) Motor Mount ONLY (56Z frame)  |
|                   | 800953**        | 1           | 3/4 hp 208/230/460v 3ø 60 Hz Basket (tumbler) Motor Mount Assembly Complete<br>(includes illus. nos. 1, 2, 4 through 11, 15, and 16) |
|                   | 800955**        | 1           | 3/4 hp 208/230/380/460v 3ø 50 Hz Motor Mount Assembly Complete<br>(includes illus. nos. 1, 2, 4 through 11, 15, and 16)              |
|                   | 800956**        | 1           | 3/4 hp 380v 3ø 60 Hz Basket (tumbler) Motor Mount Assembly Complete<br>(includes illus. nos. 1, 2, 4 through 11, 15, and 16)         |
| 9                 | 152004          | 4           | 5/16-18 Hex Nut  |
| 10                | 153002          | 4           | 5/16" Lock Washer  |
| 11                | 153001          | 4           | 5/16" Flat Washer  |
| 12                | 152004          | 4           | 5/16-18 Hex Nut  |
| 13                | 153002          | 4           | 5/16" Lock Washer  |
| 14                | 153001          | 4           | 5/16" Flat Washer  |
| 15                | 150619          | 1           | 3/8-16 x 3" Hex Head Machine Bolt  |
| 16                | 152005          | 2           | 3/8-16 Hex Nut   |

\* Replace in matched sets (both belts).

\*\* Specify voltage when ordering.

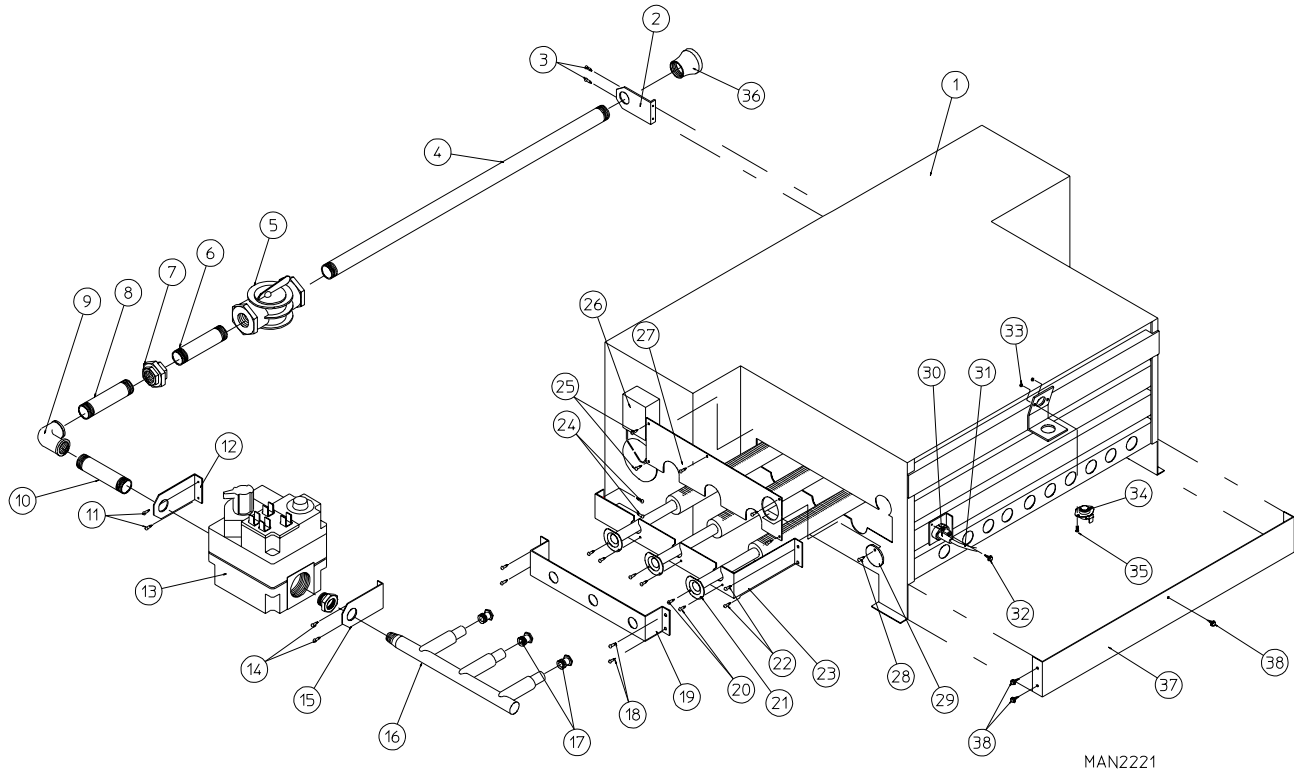
**IMPORTANT:** For voltages higher than 460 VAC, contact the ADC factory for correct part number of motor mount assembly.



---

| <u>Illus. No.</u> | <u>Part No.</u> | <u>Qty.</u> | <u>Description</u>                                      |
|-------------------|-----------------|-------------|---|
| 1                 | 150501          | 4           | 5/16-18 x 1" Hex Head Bolt                              |
| 2                 | 153001          | 4           | 5/16" Flat Washer                                       |
| 3                 | 181043          | 1           | 3 hp Motor 208/230/460/416v 50 Hz                       |
|                   | 100022          | 1           | 3 hp Motor 380v 3ø 60 Hz                                |
|                   | 100088          | 1           | 3 hp Motor 575v 3ø 60 Hz                                |
| 4                 | 152004          | 4           | 5/16-18 Hex Nut   |
| 5                 | 153002          | 4           | 5/16" Lock Washer                                       |
| 6                 | 153001          | 4           | 5/16" Flat Washer                                       |
| 7                 | 117604          | 4'          | Noise Suppressor Tape (sold by the foot)                |
| 8                 | 153001          | 4           | 5/16" Flat Washer                                       |
| 9                 | 153002          | 4           | 5/16" Lock Washer                                       |
| 10                | 152004          | 4           | 5/16-18 Hex Nut   |
| 11                | 803561          | 1           | Blower Motor Mount                                      |
| 12                | 153055          | 1           | 5/8" Motor Washer                                       |
| 13                | 802027          | 1           | 16" Riveted High Flow Impellor 7/8" Bore (60 Hz dryers) |
|                   | 802024          | 1           | 16" Riveted Impellor 7/8" Bore (50 Hz dryers)           |
| 14                | 100705          | 1           | 3/16" x 3/16" x 1-3/8" Key                              |
| 15                | 153055          | 1           | 5/8" Motor Washer                                       |
| 16                | 152006          | 2           | 1/2-20 Left Hand Jam Nut                                |

For Gas Models ONLY



MAN2221

| <u>Illus. No.</u> | <u>Part No.</u> | <u>Qty.</u> | <u>Description</u>   |
|-------------------|-----------------|-------------|--|
| 1                 | 880874*         | 1           | Direct Spark Ignition (DSI) Natural Gas Burner Assembly Complete Less Orifice<br>(includes illus. nos. 1 through 16 and 18 through 36)               |
|                   | 880875*         | 1           | Direct Spark Ignition (DSI) Liquid Propane (L.P.) Gas Burner Assembly Complete Less Orifice<br>(includes illus. nos. 1 through 16 and 18 through 38) |
|                   | 820201          | 1           | Burner Box ONLY  |
| 2                 | 331291          | 1           | Pipe Bracket   |
| 3                 | 150309          | 2           | #10-16 x 1/2" Hex Head TEK Crimptite Screw   |
| 4                 | 142813          | 1           | 3/4" x 32-1/2" Pipe  |
| 5                 | 141300          | 1           | 3/4" Union Shutoff   |
| 6                 | 142701          | 1           | 3/4" Closed Nipple   |
| 7                 | 142601          | 1           | 3/4" Union   |
| 8                 | 142710          | 1           | 3/4" x 4" Nipple   |
| 9                 | 142504          | 1           | 3/4" x 90° Elbow   |
| 10                | 142734          | 1           | 3/4" x 5-1/2" Nipple   |
| 11                | 150413          | 2           | #10-16 x 1/2" TORX Crimptite Screw   |
| 12                | 331291          | 1           | Gas Valve Pipe Bracket   |
| 13                | 140026          | 1           | 3/4" Direct Spark Ignition (DSI) 24 VAC Redundant (natural gas) Gas Valve<br>(3/4" to 1/2" reducing bushing included with gas valve)                 |
|                   | 140411          | -           | 24 VAC Gas Valve Liquid Propane (L.P.) Conversion Kit  |
| 14                | 150309          | 2           | #10-16 x 1/2" Hex Head TEK Crimptite Screw   |
| 15                | 331291          | 1           | Gas Valve Pipe Bracket   |
| 16                | 141208          | 1           | 3-Port Manifold  |

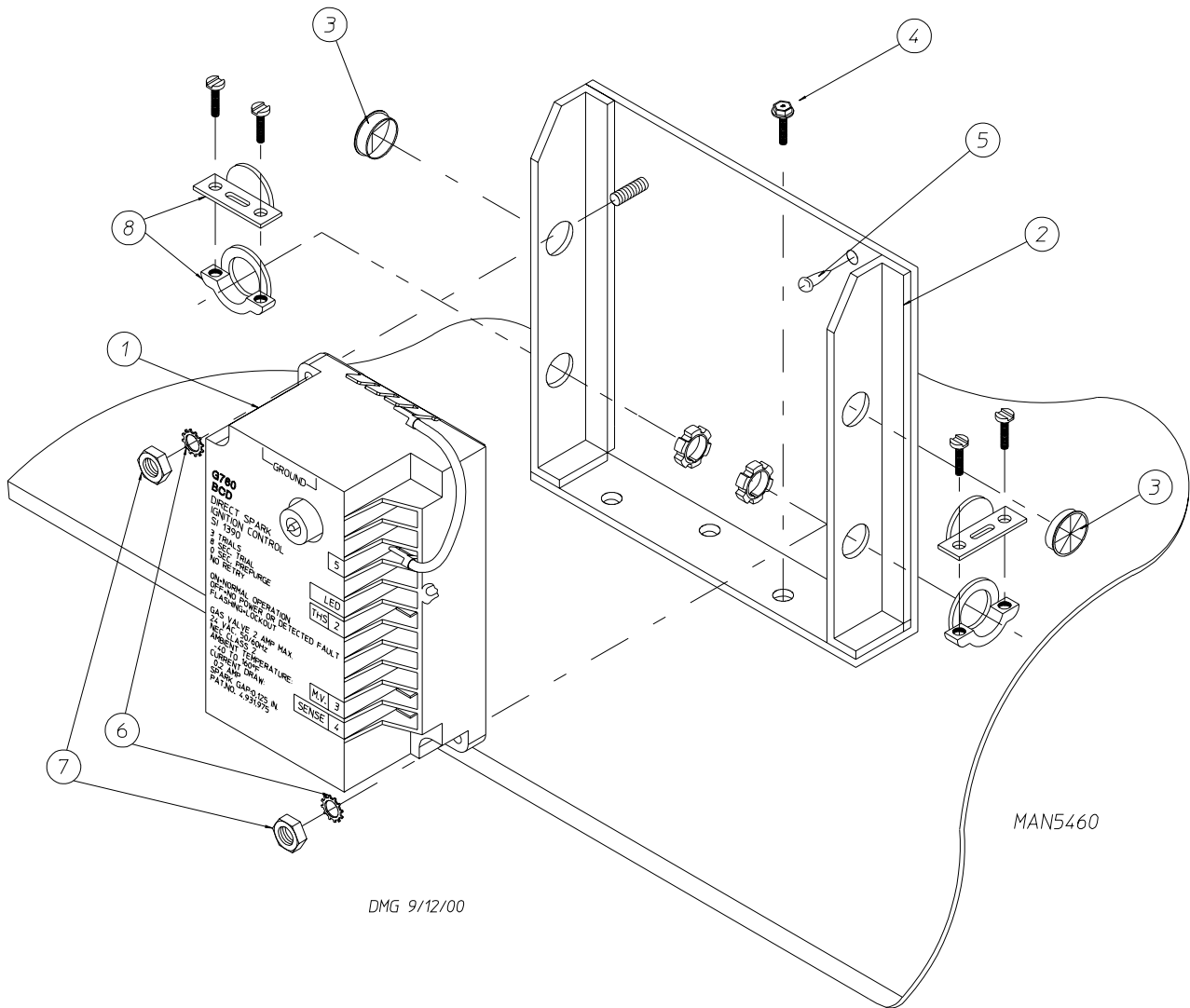
**For Gas Models ONLY**

| <u>Illus. No.</u> | <u>Part No.</u> | <u>Qty.</u> | <u>Description</u>  |
|-------------------|-----------------|-------------|---|
| 17**              | 140832          | 3           | #4 Burner Orifice (natural gas) ONLY  |
|                   | 140819          | 3           | #30 Burner Orifice (liquid propane [L.P.] gas) ONLY   |
| 18                | 150309          | 4           | #10-16 x 1/2" Hex Head TEK Crimptite Screw  |
| 19                | 331288          | 1           | Manifold Support ONLY   |
| 20                | 150309          | 6           | #10-16 x 1/2" Hex Head TEK Crimptite Screw  |
| 21                | 141110          | 3           | Burner Tube ONLY  |
| 22                | 150309          | 2           | #10-16 x 1/2" Hex Head TEK Crimptite Screw  |
| 23                | 331287          | 1           | Burner Tube Support ONLY  |
| 24                | 150309          | 2           | #10-16 x 1/2" Hex Head TEK Crimptite Screw  |
| 25                | 150309          | 6           | #10-16 x 1/2" Hex Head TEK Crimptite Screw  |
| 26                | -----           | 1           | Sail Switch<br>(refer to <b>Sail Switch Assembly</b> on <b>page 34</b> )                                |
| 27                | 331289          | 1           | Burner Box Cover Plate ONLY   |
| 28                | 150413          | 1           | #10-16 x 1/2" Phillips Round Head Screw   |
| 29                | 331290          | 1           | Ignitor/Flame-Probe Sight Hole Disc ONLY  |
| 30                | 880325          | 1           | Ignitor High Voltage (HV) Wire/Connector ONLY<br>(includes high voltage [HV] wire and connector)        |
|                   | 305410          | 1           | Direct Spark Ignition (DSI) Ignitor Gap Feeler Gauge (not illustrated)                                  |
| 31                | 880330          | 1           | Direct Spark Ignition (DSI) Ignitor High Voltage (HV) Wire/Connector ONLY                               |
| 32                | 150413          | 2           | #10-16 x 1/2" Phillips Round Head Screw   |
| 33                | 151000          | 2           | #6-32 Pal Nut   |
| 34                | 130201          | 1           | 330° Hi-Limit Small Manual Reset Thermostat ONLY  |
| 35                | 150001          | 2           | #6-32 x 1/2" Round Head Machine Screw   |
| 36                | 142924          | 1           | 1" to 3/4" Reducing Coupling  |
|                   | 142937          | 1           | 1" BSPT x 3/4" N.P.T. Coupling (for CE models Only)   |
| 37***             | 332256          | 1           | Liquid Propane (L.P.) Burner Baffle ONLY  |
| 38***             | 150309          | 5           | #10-16 x 1/2" Hex Head TEK Crimptite Screw  |
| ---               | 880886**        | 1           | Direct Spark Ignition (DSI) Liquid Propane (L.P.) Conversion Kit<br>(with 3/4" White-Rodgers gas valve) |

\* Orifices *are not included* and **must be** ordered separately.

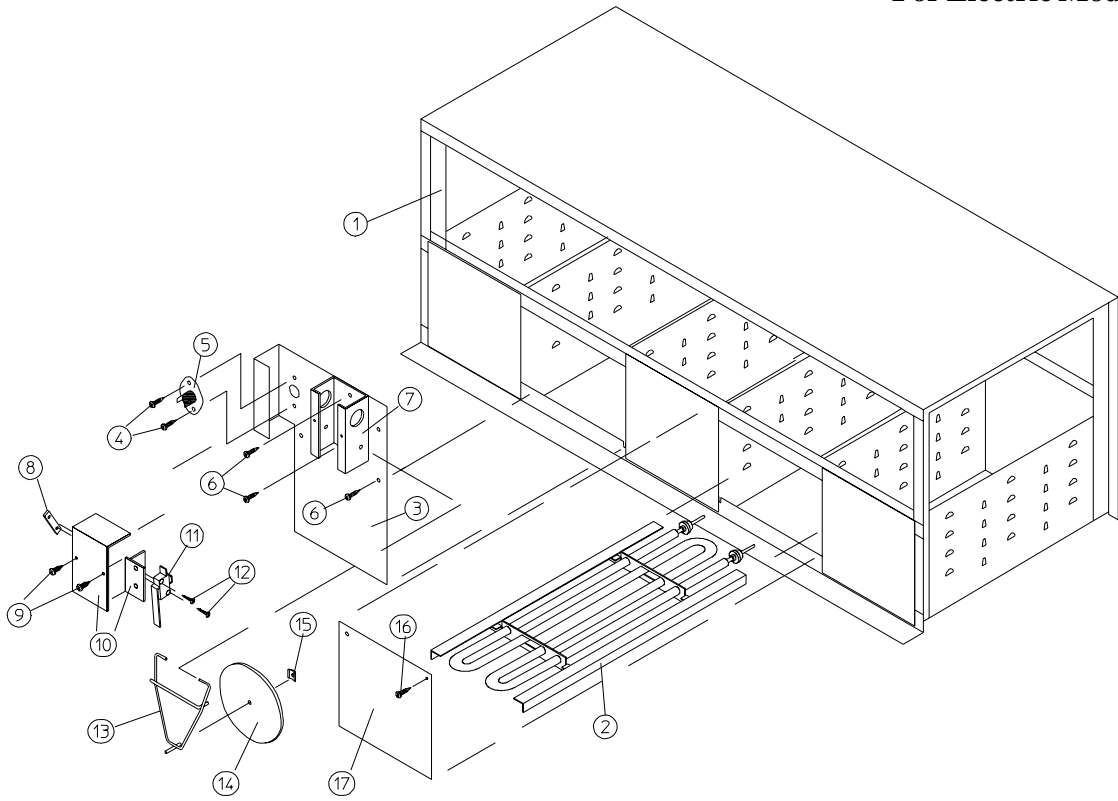
\*\* Consult factory for elevations over 2,000 feet.

\*\*\* For liquid propane (L.P.) gas models ONLY.

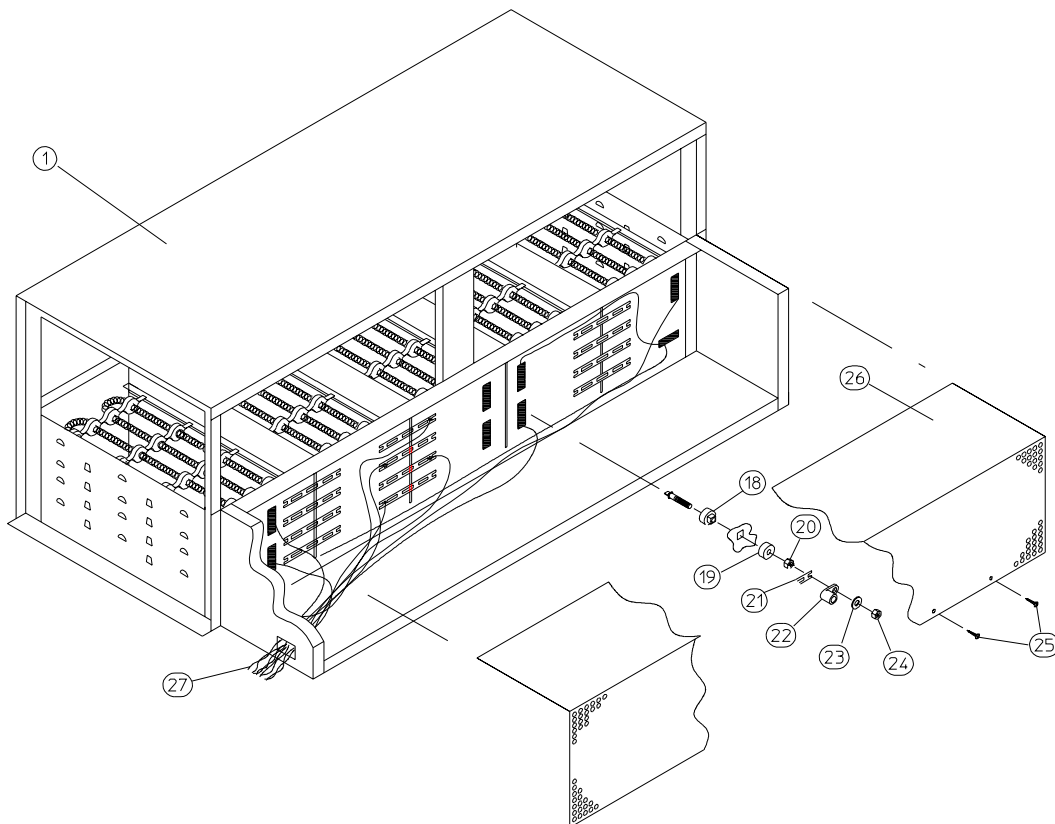


---

| <u>Illus. No.</u> | <u>Part No.</u> | <u>Qty.</u> | <u>Description</u>                                     |
|-------------------|-----------------|-------------|--|
| 1                 | 128935          | 1           | Direct Spark Ignition (DSI) Module ONLY – 50/60 Hz     |
| 2                 | 820100          | 1           | Direct Spark Ignition (DSI) Module Mount Assembly ONLY |
| 3                 | 121400          | 2           | Universal Bushing                                      |
| 4                 | 150522          | 3           | 1/4-20 x 1/2" Hex Head TEK Screw                       |
| 5                 | 150301          | 1           | #8-18 x 7/16" Phillips Pan Head TEK Screw              |
| 6                 | 153010          | 4           | #6 Star Washer   |
| 7                 | 152000          | 4           | #6-32 Hex Nut  |
| 8                 | 120102          | 2           | 3/8" Straight x 1/2" Knock-Out Connector               |



MAN1638

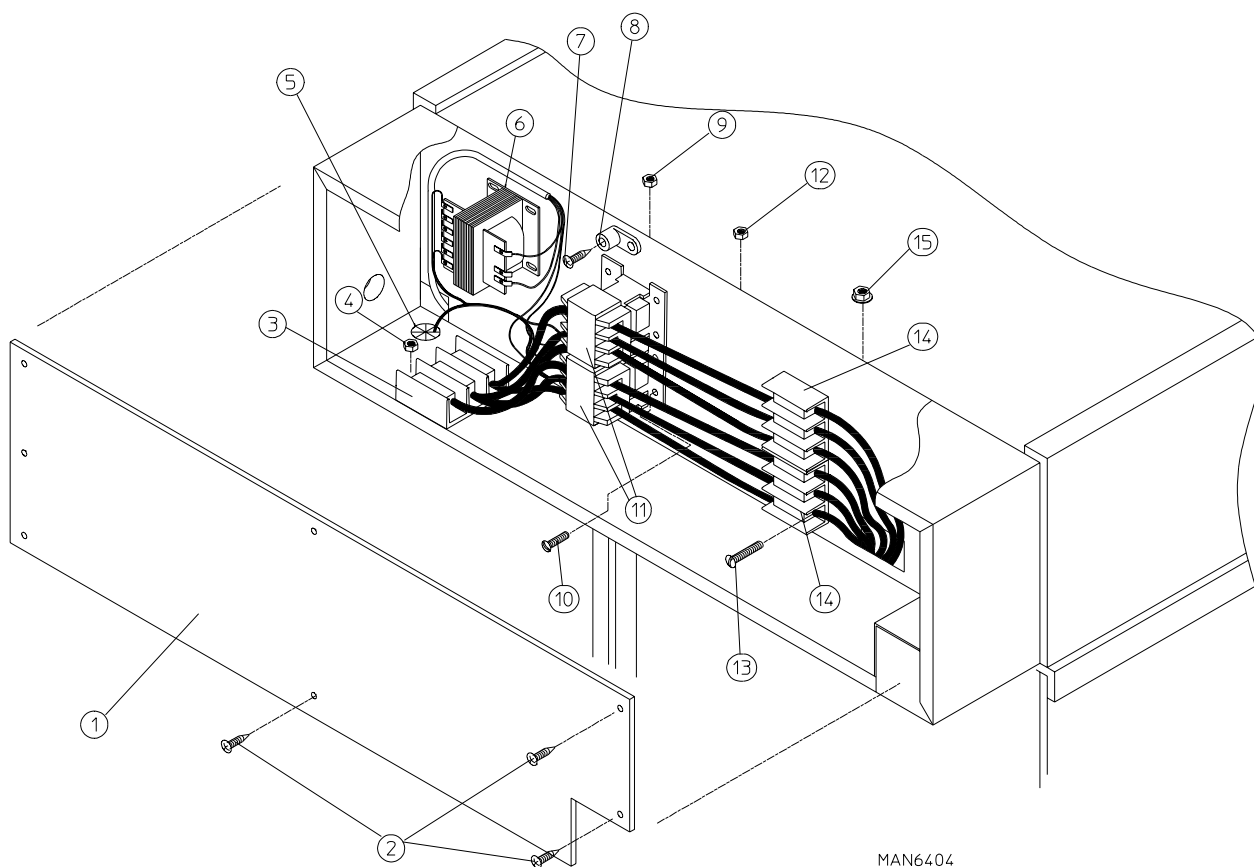




**For Electric Models ONLY**

| <u>Illus. No.</u> | <u>Part No.</u> | <u>Qty.</u> | <u>Description</u>   |
|-------------------|-----------------|-------------|--|
| 1                 | 816103          | 1           | Electric Oven Box ONLY   |
|                   | -----*          | 1           | Electric Oven Assembly Complete  |
| 2                 | -----*          | 18          | Electric Element   |
| 3                 | 802802          | 1           | Safety Control Bracket ONLY  |
| 4                 | 150301          | 2           | #8-18 x 7/16" Phillips Pan Head TEK Screw                                |
| 5                 | 130400          | 1           | 290° Hi-Limit ONLY   |
| 6                 | 150309          | 4           | #10-16 x 1/2" Hex Head TEK Crimptite Screw                               |
| 7                 | 802800          | 1           | Sail Switch Box with Cover and Bracket ONLY                              |
|                   | 802801          | 1           | Sail Switch Box Assembly Complete<br>(includes illus. nos. 7 through 15) |
| 8                 | 154004          | 1           | Twin Speed Nut   |
| 9                 | 150309          | 2           | #10-16 x 1/2" Hex Head TEK Crimptite Screw                               |
| 10                | 802799          | 1           | Sail Switch Box with Cover and Bracket ONLY                              |
| 11                | 122200          | 1           | Sail Switch ONLY   |
| 12                | 150303          | 2           | #4 x 3/4" Pan Head "A" Machine Screw                                     |
| 13                | 105500          | 1           | Sail Switch Actuator Rod   |
| 14                | 319202          | 1           | Sail Switch Damper (flat)  |
| 15                | 154002          | 1           | 1/8" Push On Fastener  |
| 16                | 150413          | 8           | #10-16 x 1/2" TORX Crimptite Screw                                       |
| 17                | 803101          | 4           | Element Cover ONLY   |
| 18                | 120081          | 36          | Internal Ceramic Insulator   |
| 19                | 120080          | 36          | External Ceramic Insulator   |
| 20                | 152008          | 36          | #10-32 Hex Nut   |
| 21                | 121011*         | ---         | Bus Bar (sold by the foot)   |
| 22                | 121010*         | ---         | Terminal Lug   |
| 23                | 153009          | 36          | #10 Star Washer  |
| 24                | 152008          | 36          | #10-32 Hex Nut   |
| 25                | 150413          | 14          | #10-16 x 1/2" TORX Crimptite Screw                                       |
| 26                | 320823          | 1           | Electric Wire Burner Cover ONLY  |
|                   | 321400          | 1           | Electric Wire Burner Cover ONLY  |
| 27                | -----*          | ---         | Oven Wire (sold by the foot)   |

\* Refer to **Electric Oven Component Application Listings** on **page 48**.

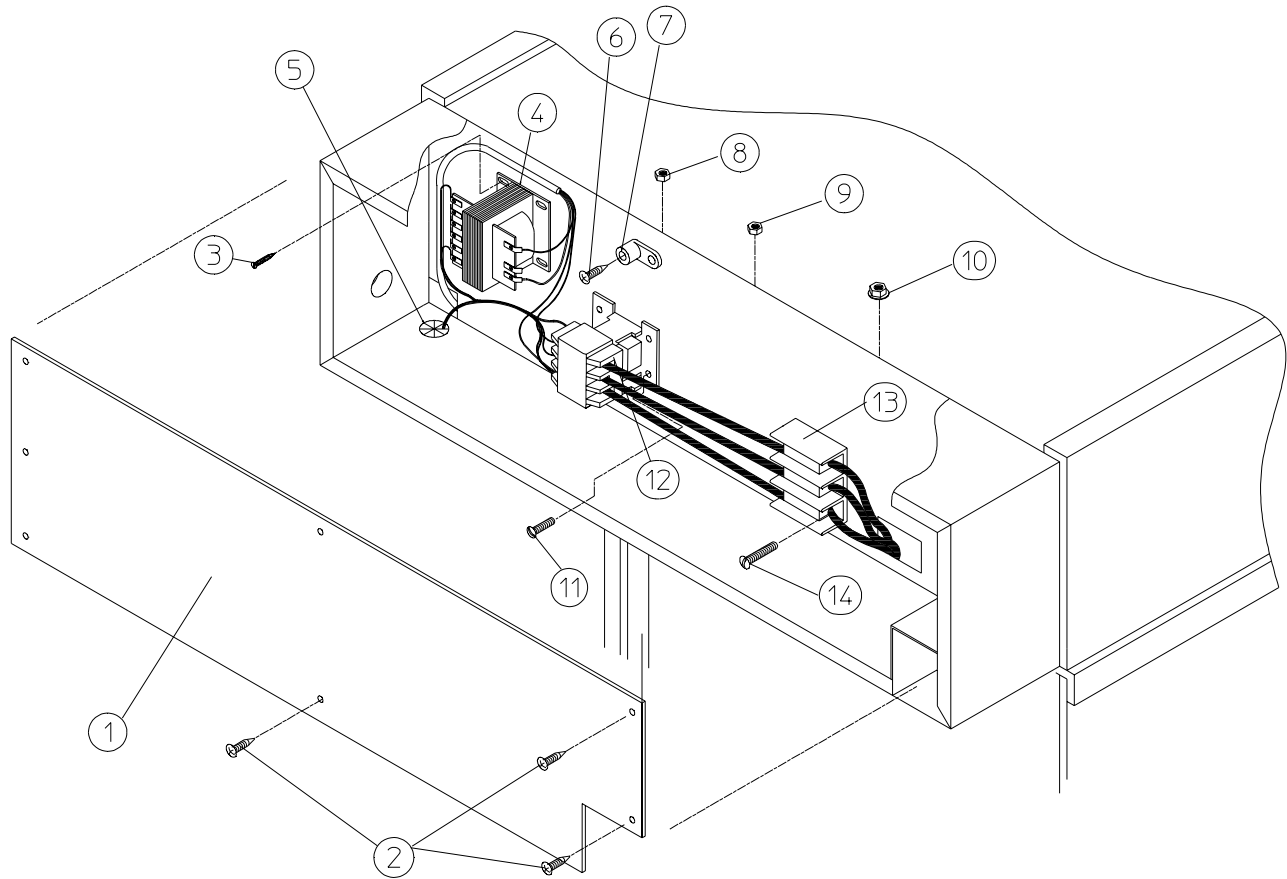


MAN6404

MGOLDSTEIN 12/17/02

| <u>Illus. No.</u> | <u>Part No.</u> | <u>Qty.</u> | <u>Description</u>   |
|-------------------|-----------------|-------------|--|
| 1                 | 331328          | 1           | Electric Oven Relay Box Cover  |
| 2                 | 150301          | 8           | #8-18 x 7/16" Phillips Pan Head TEK Screw  |
| 3                 | 120710          | 1           | Power Distribution Block   |
| 4                 | 151001          | 2           | #8-32 Pal Nut  |
| 5                 | 121400          | 2           | Universal Bushing  |
| 6                 | 132004          | 1           | Transformer<br>(for <b>ALL</b> microprocessor controller [computer] models and timer models) |
| 7                 | 150108          | 3           | #8-32 x 1/2" Pan Head Machine Screw  |
| 8                 | 121010          | 1           | L-70 Terminal Lug  |
| 9                 | 151001          | 1           | #8-32 Pal Nut  |
| 10                | 150108          | 1           | #8-32 x 1/2" Pan Head Machine Screw  |
| 11                | 131385          | 2           | Single Pole Single Throw 112-amp – 24 VAC Relay  |
| 12                | 151001          | 3           | #8-32 Pal Nut  |
| 13                | 150521          | 2           | 1/4-20 x 2" Carriage Bolt  |
| 14                | 120706          | 1           | Power Distribution Block   |
| 15                | 152014          | 2           | 1/4-20 Free Spin Wash Nut  |

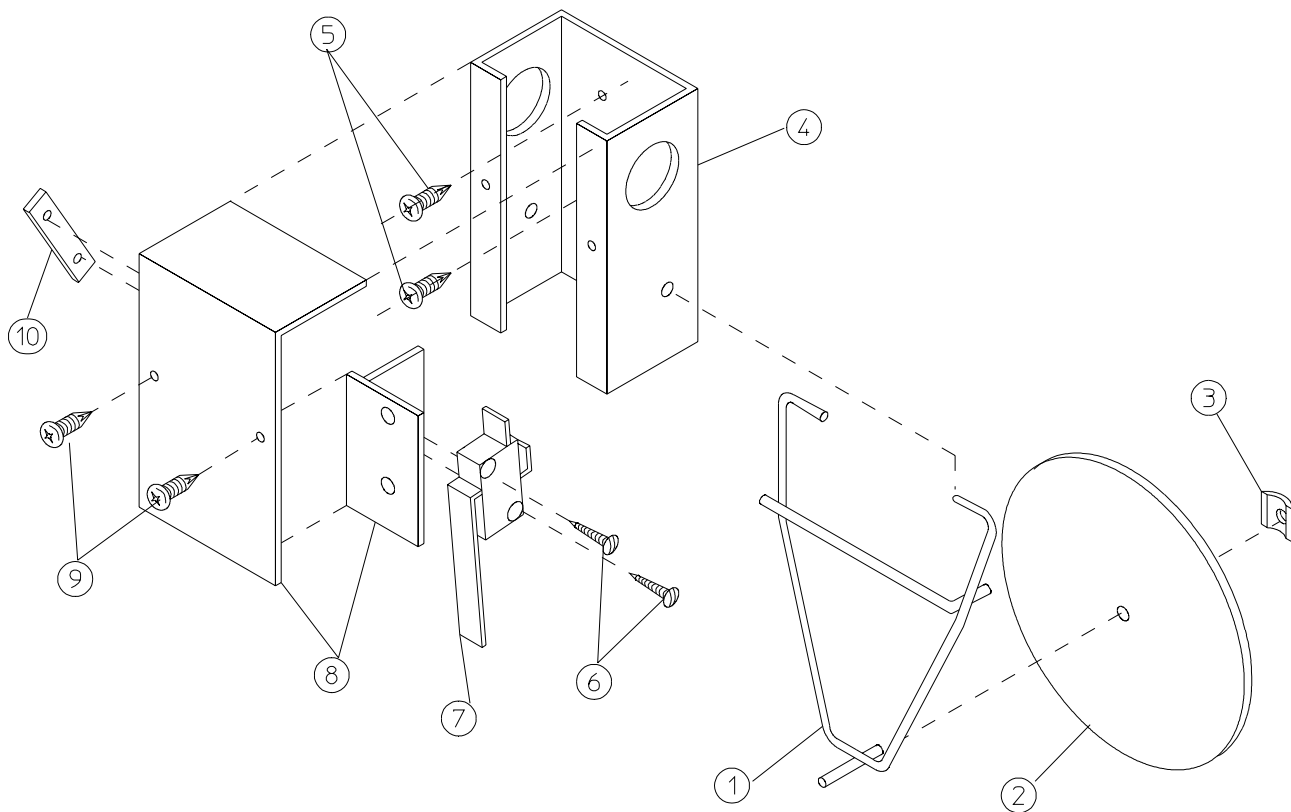
380-416/480 VAC 3 $\phi$  50/60 Hz



MAN6405

MGOLDSTEIN 12/17/02

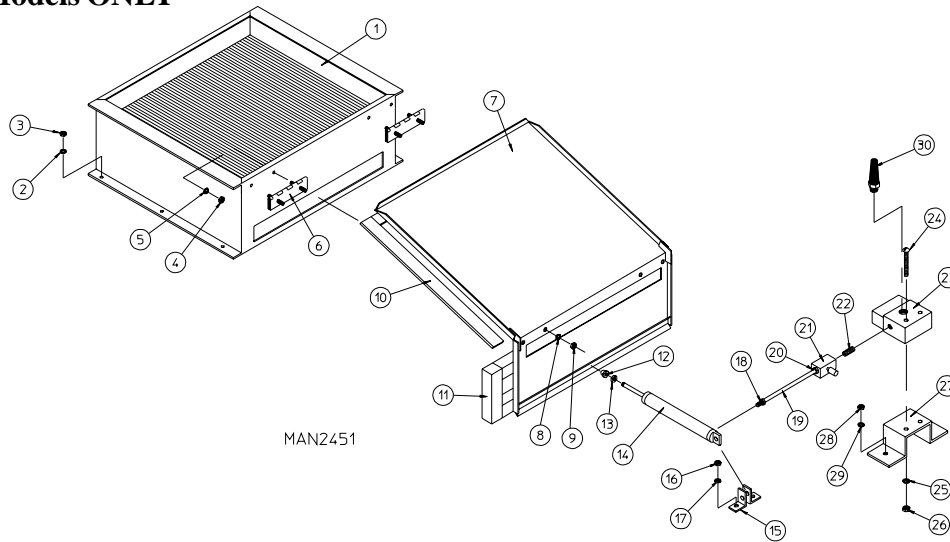
| Illus. No. | Part No. | Qty. | Description  |
|------------|----------|------|--|
| 1          | 331328   | 1    | Electric Oven Relay Box Cover  |
| 2          | 150301   | 8    | #8-18 x 7/16" Phillips Pan Head TEK Screw                              |
| 3          | 150300   | 3    | #10 x 1/2" Hex Washer TEK Screw  |
| 4          | 132004   | 1    | Transformer (for <b>ALL</b> electric models – 380 VAC through 480 VAC) |
| 5          | 121400   | 2    | Universal Bushing  |
| 6          | 150108   | 3    | #8-32 x 1/2" Pan Head Machine Screw                                    |
| 7          | 121010   | 1    | L-70 Terminal Lug  |
| 8          | 151001   | 1    | #8-32 Pal Nut  |
| 9          | 151001   | 3    | #8-32 Pal Nut  |
| 10         | 152014   | 2    | 1/4-20 Free Spin Wash Nut  |
| 11         | 150108   | 1    | #8-32 x 1/2" Pan Head Machine Screw                                    |
| 12         | 131385   | 1    | Single Pole Single Throw 112-amp – 24 VAC Relay                        |
| 13         | 120706   | 1    | Power Distribution Block   |
| 14         | 150501   | 2    | 1/4-20 x 2" Carriage Bolt  |



MAN0440

| <u>Illus. No.</u> | <u>Part No.</u> | <u>Qty.</u> | <u>Description</u>   |
|-------------------|-----------------|-------------|--|
| 1                 | 105500          | 1           | Sail Switch Actuator Rod   |
| 2                 | 319202          | 1           | Sail Switch Damper (flat)  |
| 3                 | 154002          | 1           | 1/8" Push On Fastener  |
| 4                 | 802800          | 1           | Sail Switch Box Cover and Bracket ONLY   |
|                   | 802801          | 1           | Sail Switch Box Assembly Complete<br>(includes illus. nos. 1 through 4 and 6 through 10) |
| 5                 | 150309          | 2           | #10 x 1/2" Hex Head TEK Crimptite Screw  |
| 6                 | 150303          | 2           | #4 x 3/4" Pan Head "A" Machine Screw   |
| 7                 | 122200          | 1           | Sail Switch ONLY   |
| 8                 | 802799          | 1           | Sail Switch Box Cover and Bracket ONLY   |
| 9                 | 150413          | 2           | #10-16 x 1/2" TORX Crimptite Screw   |
| 10                | 154004          | 1           | Twin Speed Nut   |

**For Steam Models ONLY**

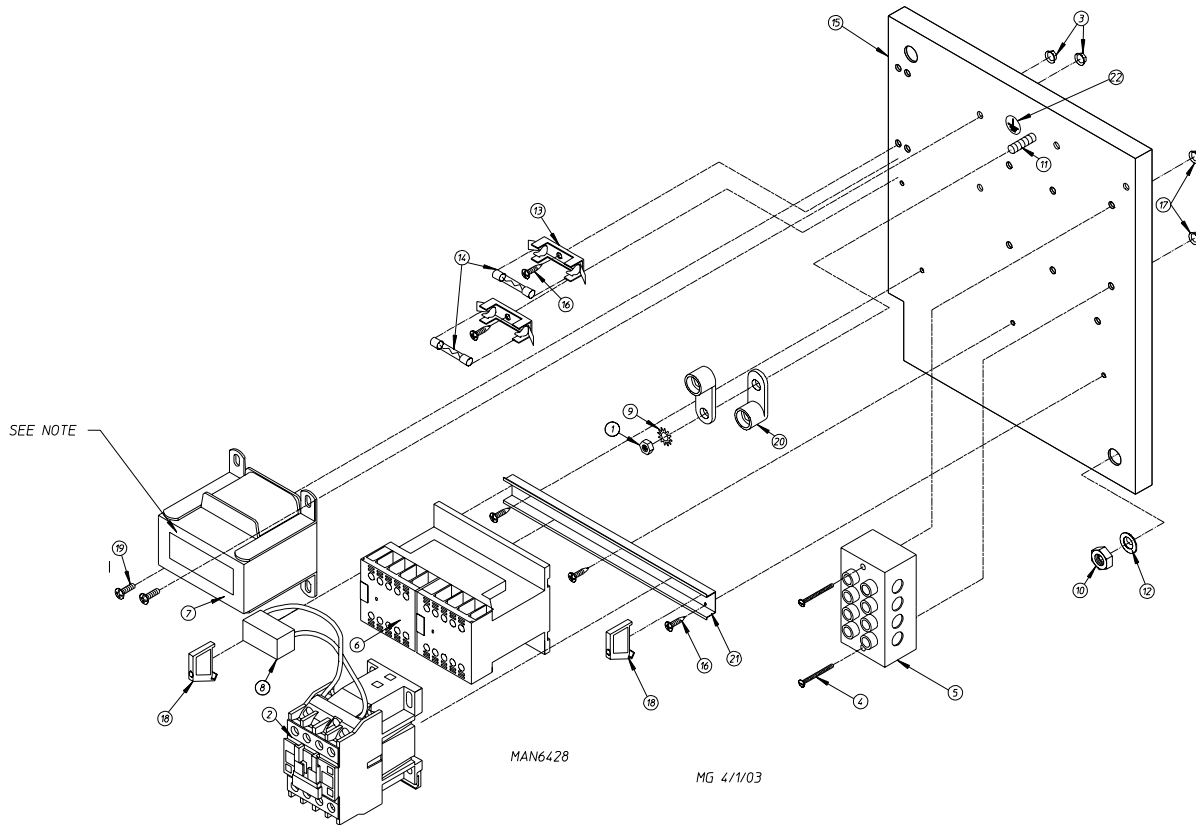


| <u>Illus. No.</u> | <u>Part No.</u> | <u>Qty.</u> | <u>Description</u>  |
|-------------------|-----------------|-------------|---|
| 1                 | 165012          | 1           | Steam Coil Assembly   |
|                   | 165019          | 1           | Steel Steam Coil Assembly (optional)                          |
| 2                 | 153002          | 6           | 5/16" Lock Washer   |
| 3                 | 152004          | 6           | 5/16-18 Hex Nut   |
| 4                 | 152002          | 4           | 1/4-20 Hex Nut  |
| 5                 | 153007          | 4           | 1/4" Lock Washer  |
| 6                 | 820321          | 2           | Steam Damper Hinge Assembly                                   |
| 7                 | 820320          | 1           | Steam Damper Assembly<br>(includes illus. nos. 7, 10, and 11) |
| 8                 | 153007          | 4           | 1/4" Lock Washer  |
| 9                 | 152002          | 4           | 1/4-20 Hex Nut  |
| 10                | 115995          | 84          | Steam Damper Gasket (sold by the inch)                        |
| 11                | 102350          | 1           | Steam Damper Foam (68-1/2" length)                            |
| 12                | 151007          | 1           | 7/16-20 Stainless Steel Acorn Nut                             |
| 13                | 152007          | 1           | 7/16-20 Hex Nut   |
| 14                | 100499          | 1           | 1-1/2" Bore x 3" Stroke Piston                                |
| 15                | 100500          | 1           | Piston Support Bracket  |
| 16                | 152002          | 4           | 1/4-20 Hex Nut  |
| 17                | 153007          | 4           | 1/4" Lock Washer  |
| 18                | 100472          | 1           | 1/4" x 1/8" Connector   |
| 19                | 143110          | 1           | 1/4" Tubing (sold by the foot)                                |
| 20                | 100472          | 1           | 1/4" x 1/8" Connector   |
| 21                | 100496          | 1           | 1/8" Needle Valve   |
| 22                | 143238          | 1           | 1/8" Close Nipple   |
| 23                | 100498          | 1           | 3-Way Micro Valve – 24 VAC                                    |
| 24                | 150002          | 2           | #6-32 x 1" Slotted Machine Screw                              |
| 25                | 153010          | 2           | #6 Star Washer  |
| 26                | 152000          | 2           | #6-32 Hex Nut   |
| 27                | 330987          | 1           | Micro Valve Support Bracket                                   |
| 28                | 152002          | 2           | 1/4-20 Hex Nut  |
| 29                | 153007          | 2           | 1/4" Lock Washer  |
| 30                | 100520          | 1           | 1/8" N.P.T. Silencer (muffler)                                |

# 36 Microprocessor Reversing Contactor Mounting Panel Assembly (Gas and Steam)

208-240 Volt 3 $\phi$

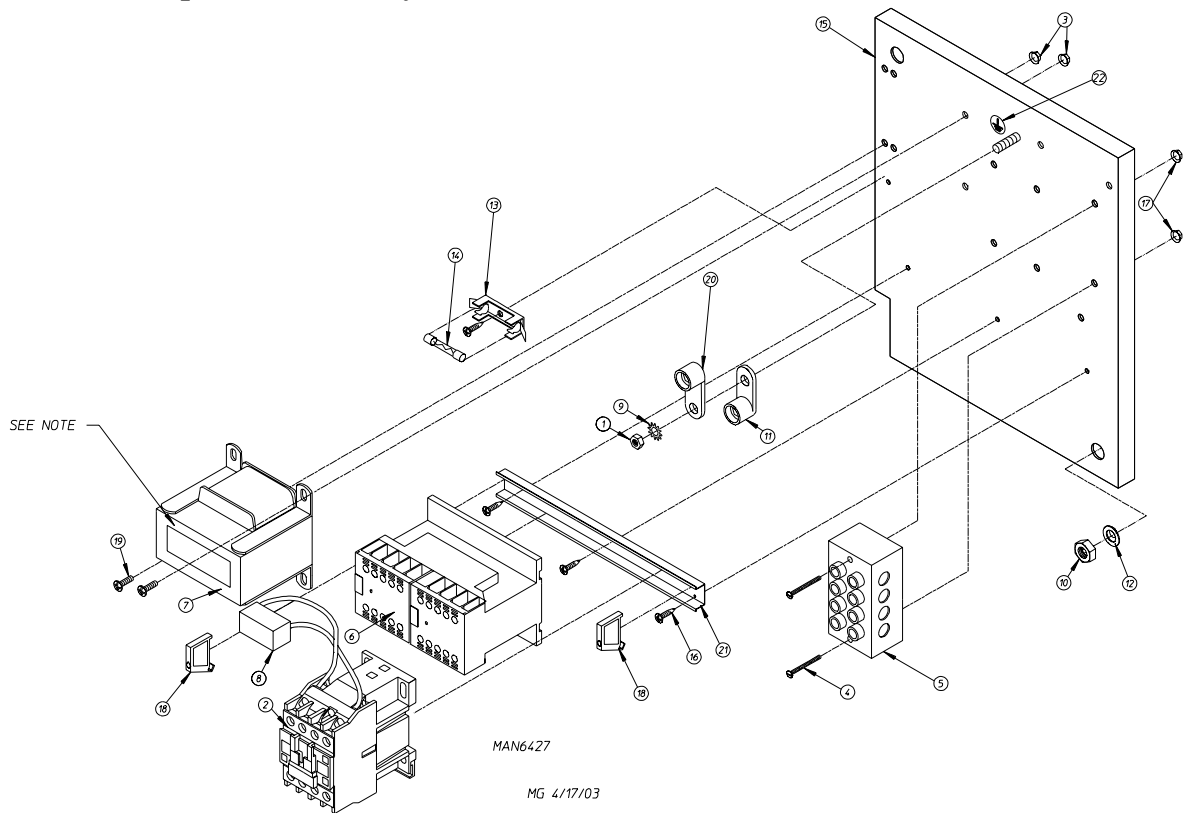
For Models Mfd. prior to February 3, 2002



| Illus. No. | Part No. | Qty.   | Description                                     |
|------------|----------|--------|---|
| 1          | 152002   | 1      | 1/4-20 Hex Nut                                  |
| 2          | 132445   | 1      | 3 hp Contactor                                  |
| 3          | 151001   | 2      | #8-32 Pal Nut                                   |
| 4          | 150009   | 2      | #6-32 x 1-1/2" Slotted Round Head Machine Screw |
| 5          | 120701   | 1      | 4-Position Terminal Block                       |
| 6          | 132497   | 1      | Reversing Contactor                             |
| 7          | 822745   | 1      | 208-240V Transformer Assembly                   |
| 8          | 137015   | 1      | Arc Suppressor with 3" Insulated Leads          |
| 9          | 153021   | 1      | 1/4" External/Internal Shake Proof Washer       |
| 10         | 152004   | 1      | 5/16-18 Hex Nut                                 |
| 11         | 153525   | 2      | 1/4-20 x 1" Self-Clinching Stud                 |
| 12         | 153002   | 1      | 5/16" Lock Washer                               |
| 13         | 136008   | 2      | Fuse Holder                                     |
| 14         | 136057   | 2      | 1/2-amp 3AG (Slo-Blo) Fuse                      |
| 15         | 332346   | 1      | Relay Panel                                     |
| 16         | 150301   | 5      | #8-18 x 7/16" Phillips Head TEK Screw           |
| 17         | 151000   | 2      | #6-32 Pal Nut                                   |
| 18         | 120765   | 2      | End Stop  |
| 19         | 150108   | 2      | #8-32 x 1/2" Phillips Pan Head Machine Screw    |
| 20         | 121010   | 2      | L-70 14-4 Terminal Lug                          |
| 21         | 120768   | 7-3/4" | 35 x 15mm Din Rail                              |
| 22         | 112075   | 1      | Ground Label                                    |

380-416 Volt 3 $\phi$

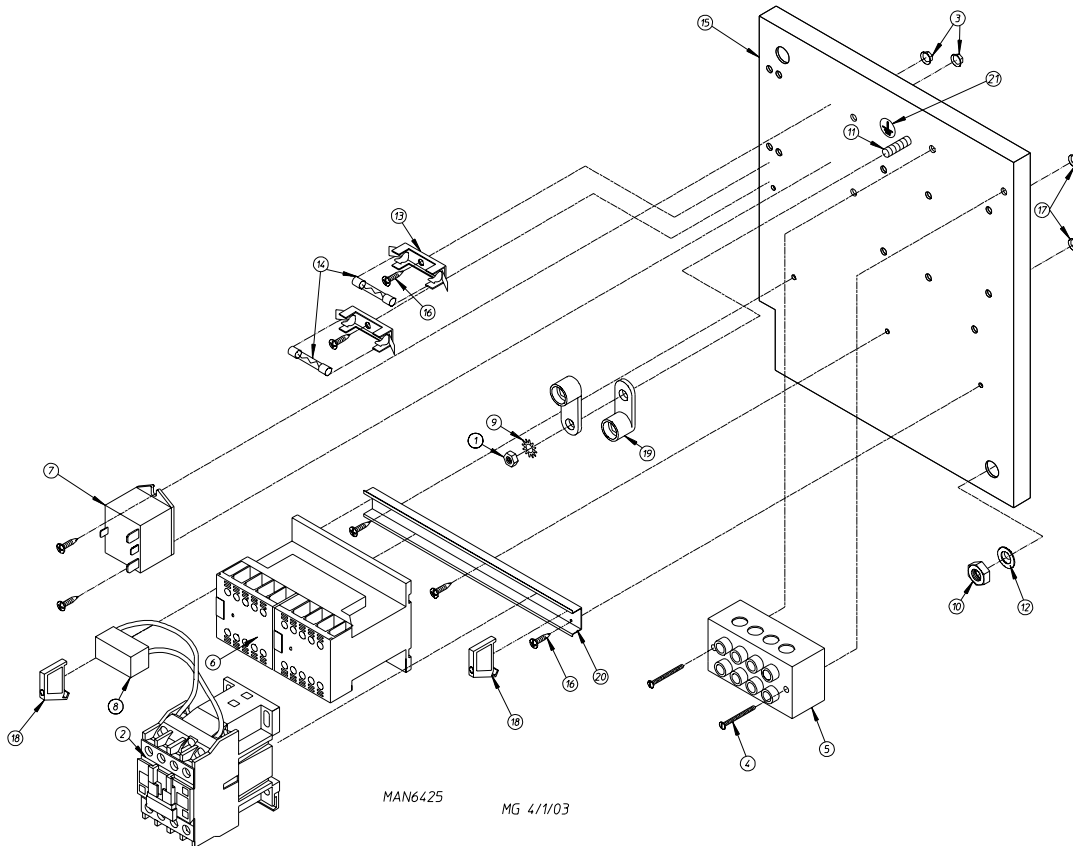
For Models Mfd. prior to February 3, 2002



| <u>Illus. No.</u> | <u>Part No.</u> | <u>Qty.</u> | <u>Description</u>                              |
|-------------------|-----------------|-------------|---|
| 1                 | 152002          | 1           | 1/4-20 Hex Nut                                  |
| 2                 | 132445          | 1           | 3 hp Contactor                                  |
| 3                 | 151001          | 2           | #8-32 Pal Nut                                   |
| 4                 | 150009          | 2           | #6-32 x 1-1/2" Slotted Round Head Machine Screw |
| 5                 | 120701          | 1           | 4-Position Terminal Block                       |
| 6                 | 132497          | 1           | Reversing Contactor                             |
| 7                 | 801850          | 1           | 380-416V Transformer Assembly                   |
| 8                 | 137015          | 1           | Arc Suppressor with 3" Insulated Leads          |
| 9                 | 153021          | 1           | 1/4" External/Internal Shake Proof Washer       |
| 10                | 152004          | 1           | 5/16-18 Hex Nut                                 |
| 11                | 121012          | 1           | Ground Lug                                      |
| 12                | 153002          | 1           | 5/16" Lock Washer                               |
| 13                | 136008          | 1           | Fuse Holder                                     |
| 14                | 136057          | 1           | 1/2-amp 3AG (Slo-Blo) Fuse                      |
| 15                | 332346          | 1           | Relay Panel                                     |
| 16                | 150301          | 4           | #8-18 x 7/16" Phillips Head TEK Screw           |
| 17                | 151000          | 2           | #6-32 Pal Nut                                   |
| 18                | 120765          | 2           | End Stop  |
| 19                | 150108          | 2           | #8-32 x 1/2" Phillips Pan Head Machine Screw    |
| 20                | 121010          | 1           | L-70 14-4 Terminal Lug                          |
| 21                | 120768          | 7-3/4"      | 35 x 15mm Din Rail                              |
| 22                | 112075          | 1           | Ground Label                                    |

# 38 Microprocessor Reversing Contactor Mounting Panel Assembly (Electric)

208-240 Volt 3 $\phi$   
For Models Mfd. prior to February 2003



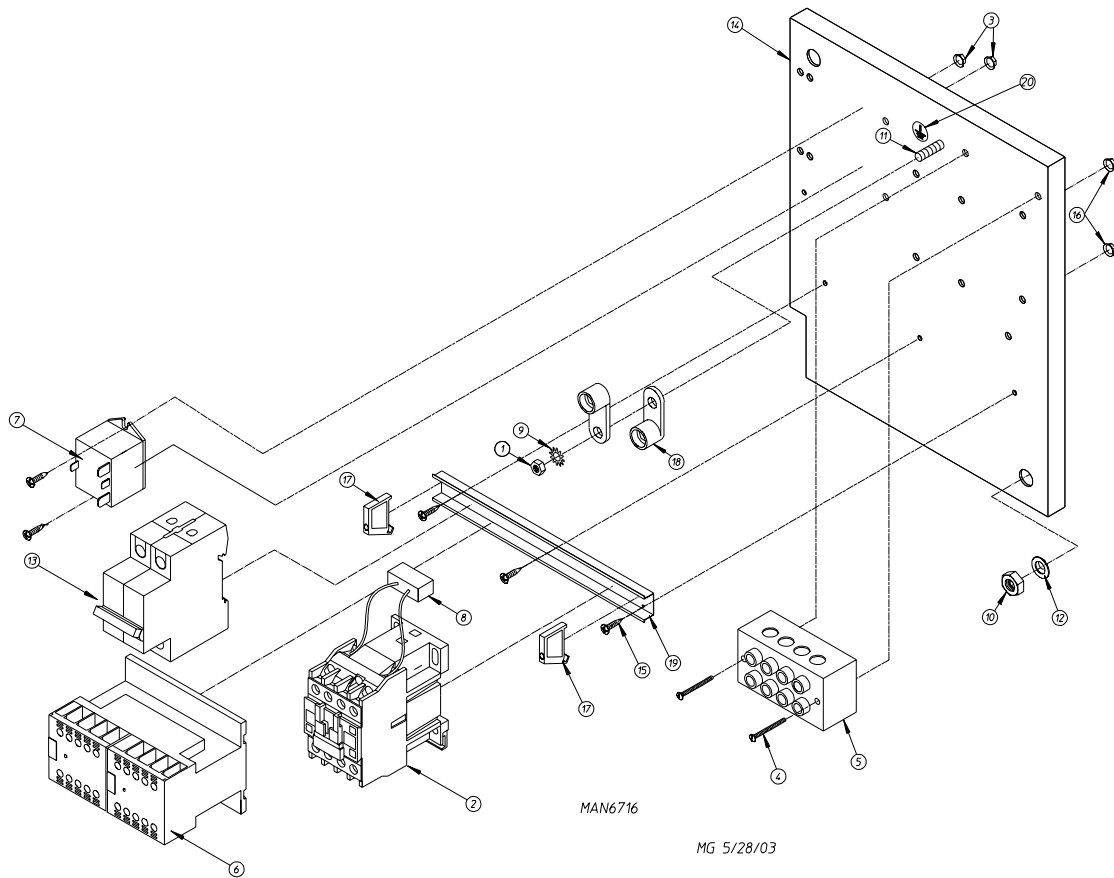
| Illus. No. | Part No. | Qty.   | Description                                     |
|------------|----------|--------|---|
| 1          | 152002   | 1      | 1/4-20 Hex Nut                                  |
| 2          | 132445   | 1      | 3 hp Contactor                                  |
| 3          | 151001   | 2      | #8-32 Pal Nut                                   |
| 4          | 150009   | 2      | #6-32 x 1-1/2" Slotted Round Head Machine Screw |
| 5          | 120701   | 1      | 4-Position Terminal Block                       |
| 6          | 132497   | 1      | Reversing Contactor                             |
| 7          | 131932   | 1      | Relay   |
| 8          | 137015   | 1      | Arc Suppressor with 3" Insulated Leads          |
| 9          | 153021   | 1      | 1/4" External/Internal Shake Proof Washer       |
| 10         | 152004   | 1      | 5/16-18 Hex Nut                                 |
| 11         | 153525   | 2      | 1/4-20 x 1" Self-Clinching Stud                 |
| 12         | 153002   | 1      | 5/16" Lock Washer                               |
| 13         | 136008   | 2      | Fuse Holder                                     |
| 14         | 136112   | 2      | 1.5-amp 3AG (Slo-Blo) Fuse                      |
| 15         | 332346   | 1      | Relay Panel                                     |
| 16         | 150301   | 7      | #8-18 x 7/16" Phillips Head TEK Screw           |
| 17         | 151000   | 2      | #6-32 Pal Nut                                   |
| 18         | 120765   | 2      | End Stop  |
| 19         | 121010   | 2      | L-70 14-4 Terminal Lug                          |
| 20         | 120768   | 7-3/4" | 35 x 15mm Din Rail                              |
| 21         | 112075   | 1      | Ground Label                                    |



# Microprocessor Reversing Contactor Mounting Panel Assembly (Electric) 39

**380-480 Volt 3 $\phi$**

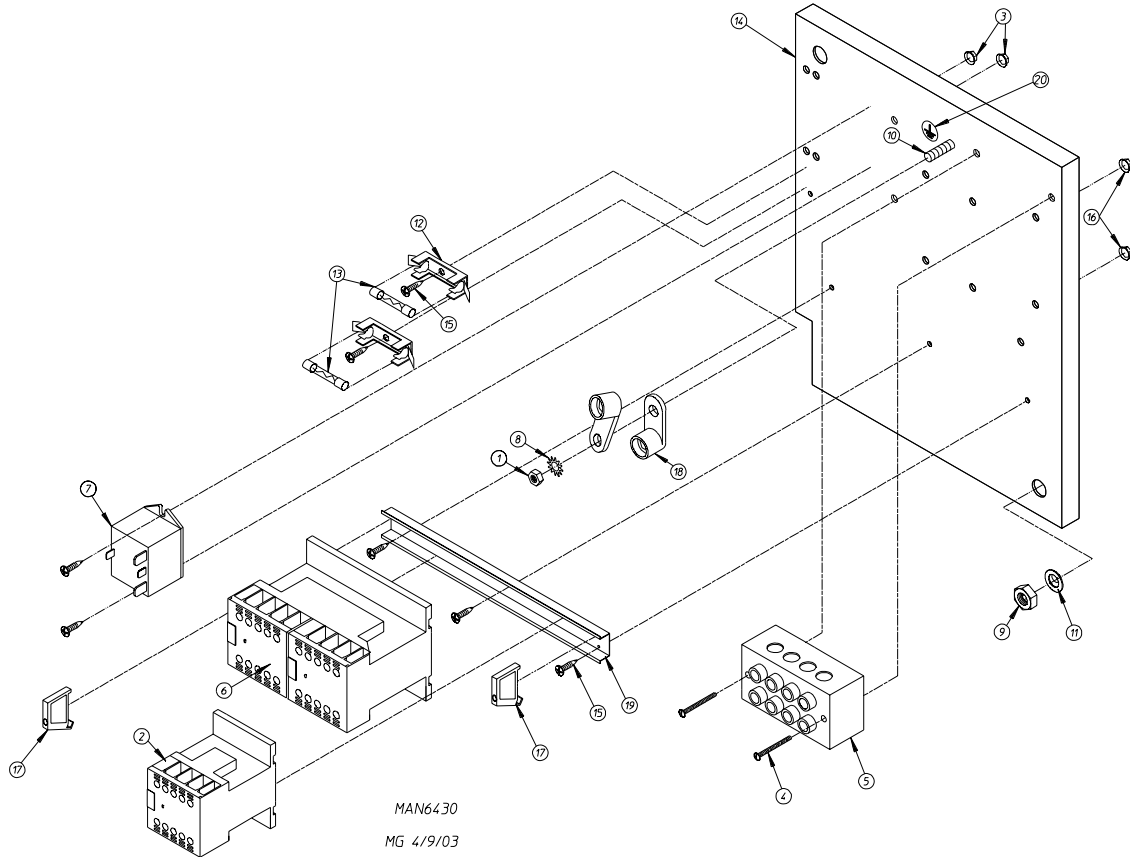
**For Models Mfd. prior to February 2003**



| <u>Illus. No.</u> | <u>Part No.</u> | <u>Qty.</u> | <u>Description</u>                              |
|-------------------|-----------------|-------------|---|
| 1                 | 152002          | 1           | 1/4-20 Hex Nut                                  |
| 2                 | 132445          | 1           | 3 hp Contactor                                  |
| 3                 | 151001          | 2           | #8-32 Pal Nut                                   |
| 4                 | 150009          | 2           | #6-32 x 1-1/2" Slotted Round Head Machine Screw |
| 5                 | 120701          | 1           | 4-Position Terminal Block                       |
| 6                 | 132497          | 1           | Reversing Contactor                             |
| 7                 | 131932          | 1           | Relay   |
| 8                 | 137015          | 1           | Arc Suppressor with 3" Insulated Leads          |
| 9                 | 153021          | 1           | 1/4" External/Internal Shake Proof Washer       |
| 10                | 152004          | 1           | 5/16-18 Hex Nut                                 |
| 11                | 153525          | 2           | 1/4-20 x 1" Self-Clinching Stud                 |
| 12                | 153002          | 1           | 5/16" Lock Washer                               |
| 13                | 135501          | 1           | 2-Pole 1-amp Circuit Breaker                    |
| 14                | 332346          | 1           | Relay Panel                                     |
| 15                | 150301          | 7           | #8-18 x 7/16" Phillips Head TEK Screw           |
| 16                | 151000          | 2           | #6-32 Pal Nut                                   |
| 17                | 120765          | 2           | End Stop  |
| 18                | 121010          | 2           | L-70 14-4 Terminal Lug                          |
| 19                | 120768          | 7-3/4"      | 35 x 15mm Din Rail                              |
| 20                | 112075          | 1           | Ground Label                                    |

# 40 Microprocessor Reversing Contactor Mounting Panel Assembly (Electric)

208-240 Volt 3 $\phi$   
For Models Mfd. as of February 2003

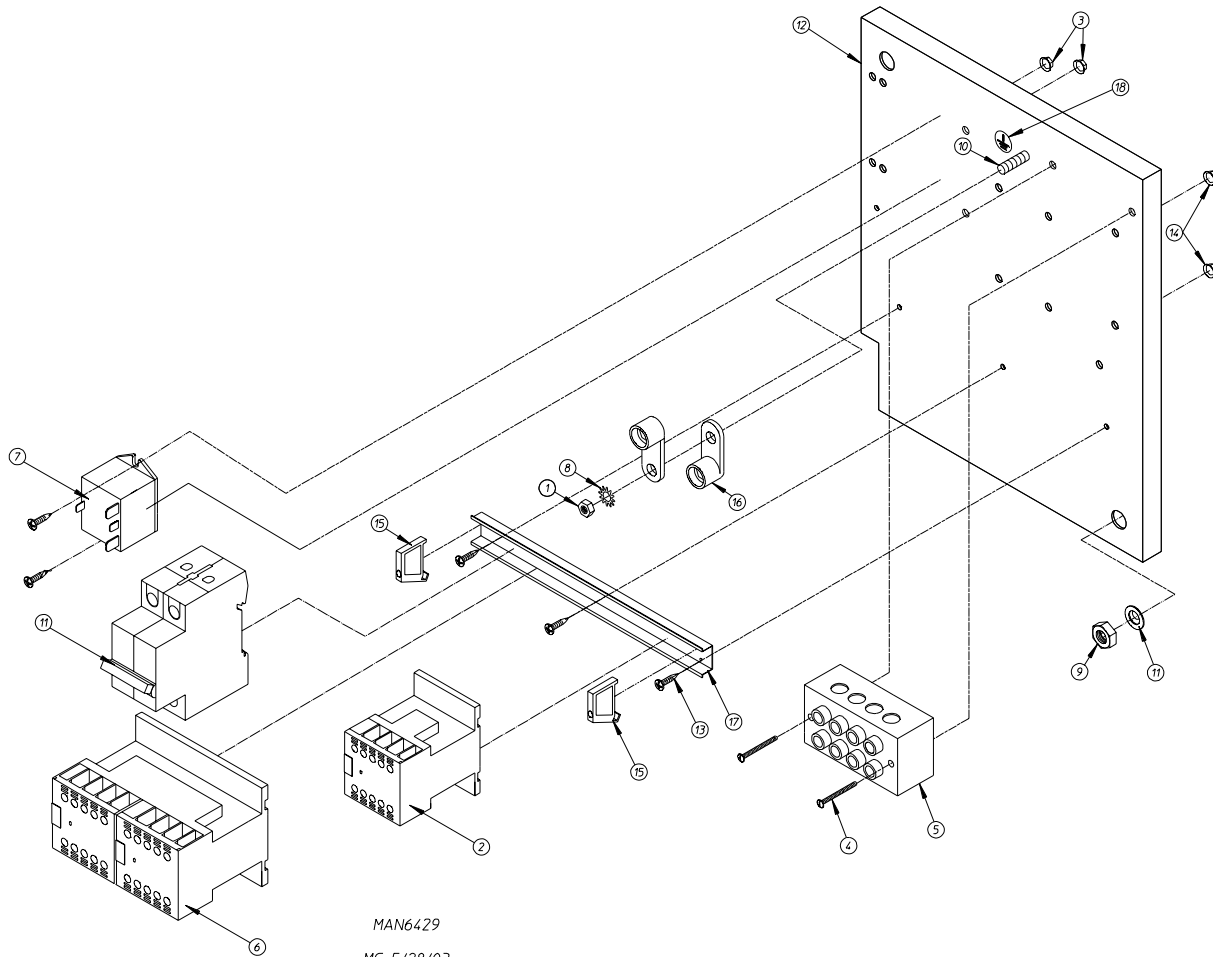


| Illus. No. | Part No. | Qty.   | Description                                     |
|------------|----------|--------|---|
| 1          | 152002   | 1      | 1/4-20 Hex Nut                                  |
| 2          | 132514   | 1      | 3 $\phi$ Contactor with Arc Suppressor          |
| 3          | 151001   | 2      | #8-32 Pal Nut                                   |
| 4          | 150009   | 2      | #6-32 x 1-1/2" Slotted Round Head Machine Screw |
| 5          | 120701   | 1      | 4-Position Terminal Block                       |
| 6          | 132497   | 1      | Reversing Contactor                             |
| 7          | 131932   | 1      | Relay   |
| 8          | 153021   | 1      | 1/4" External/Internal Shake Proof Washer       |
| 9          | 152004   | 1      | 5/16-18 Hex Nut                                 |
| 10         | 153525   | 2      | 1/4-20 x 1" Self-Clinching Stud                 |
| 11         | 153002   | 1      | 5/16" Lock Washer                               |
| 12         | 136008   | 2      | Fuse Holder                                     |
| 13         | 136112   | 2      | 1.5-amp 3AG (Slo-Blo) Fuse                      |
| 14         | 332346   | 1      | Relay Panel                                     |
| 15         | 150301   | 7      | #8-18 x 7/16" Phillips Head TEK Screw           |
| 16         | 151000   | 2      | #6-32 Pal Nut                                   |
| 17         | 120765   | 2      | End Stop  |
| 18         | 121010   | 2      | L-70 14-4 Terminal Lug                          |
| 19         | 120768   | 7-3/4" | 35 x 15mm Din Rail                              |
| 20         | 112075   | 1      | Ground Label                                    |

# Microprocessor Reversing Contactor Mounting Panel Assembly (Electric) 41

**380-480 Volt 3 $\phi$**

**For Models Mfd. as of February 2003**

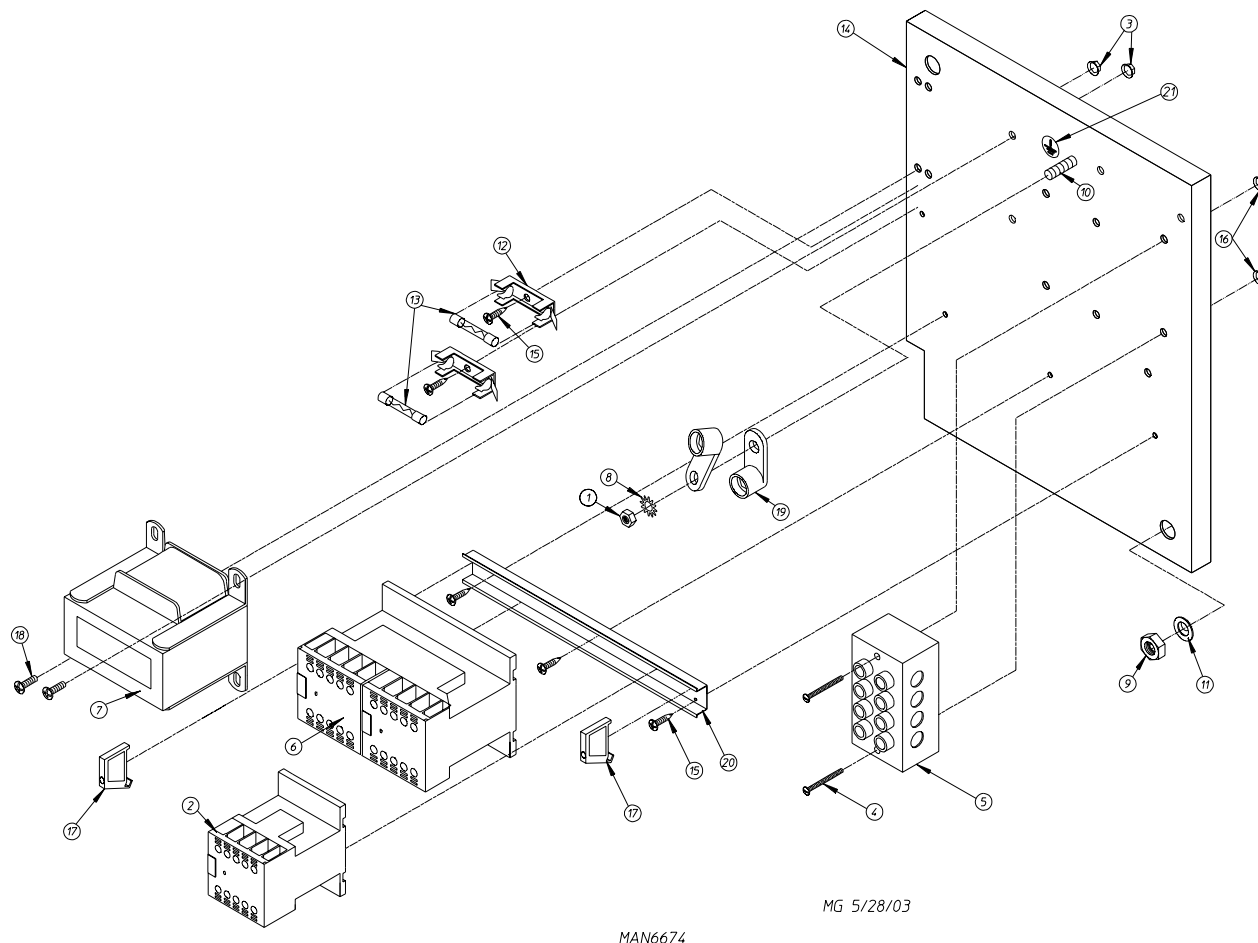


MAN6429  
MG 5/28/03

| <u>Illus. No.</u> | <u>Part No.</u> | <u>Qty.</u> | <u>Description</u>                              |
|-------------------|-----------------|-------------|---|
| 1                 | 152002          | 1           | 1/4-20 Hex Nut                                  |
| 2                 | 132514          | 1           | 3 $\phi$ Contactor with Arc Suppressor          |
| 3                 | 151001          | 2           | #8-32 Pal Nut                                   |
| 4                 | 150009          | 2           | #6-32 x 1-1/2" Slotted Round Head Machine Screw |
| 5                 | 120701          | 1           | 4 Position Terminal Block                       |
| 6                 | 132497          | 1           | Reversing Contactor with Arc Suppressor         |
| 7                 | 131932          | 1           | Relay   |
| 8                 | 153012          | 1           | 1/4" Exterior/Interior Shake Proof Washer       |
| 9                 | 152004          | 1           | 5/16-18 Hex Nut                                 |
| 10                | 153525          | 2           | 1/4-20 x 1" Self-Clinching Stud                 |
| 11                | 135501          | 1           | 2-Pole 1-amp Circuit Breaker                    |
| 12                | 332346          | 1           | Relay Panel                                     |
| 13                | 150301          | 7           | #8-18 x 7/16" Phillips Head TEK Screw           |
| 14                | 151000          | 2           | #6-32 Pal Nut                                   |
| 15                | 120765          | 2           | End Stop  |
| 16                | 121010          | 2           | L-70 14-4 Terminal Lug                          |
| 17                | 120768          | 7-3/4"      | 35 x 15mm Din Rail                              |
| 18                | 112075          | 1           | Ground Label                                    |

# 42 Microprocessor Reversing Contactor Mounting Panel Assembly (Gas and Steam)

208-240 Volt  
For Models Mfd. as of February 3, 2003



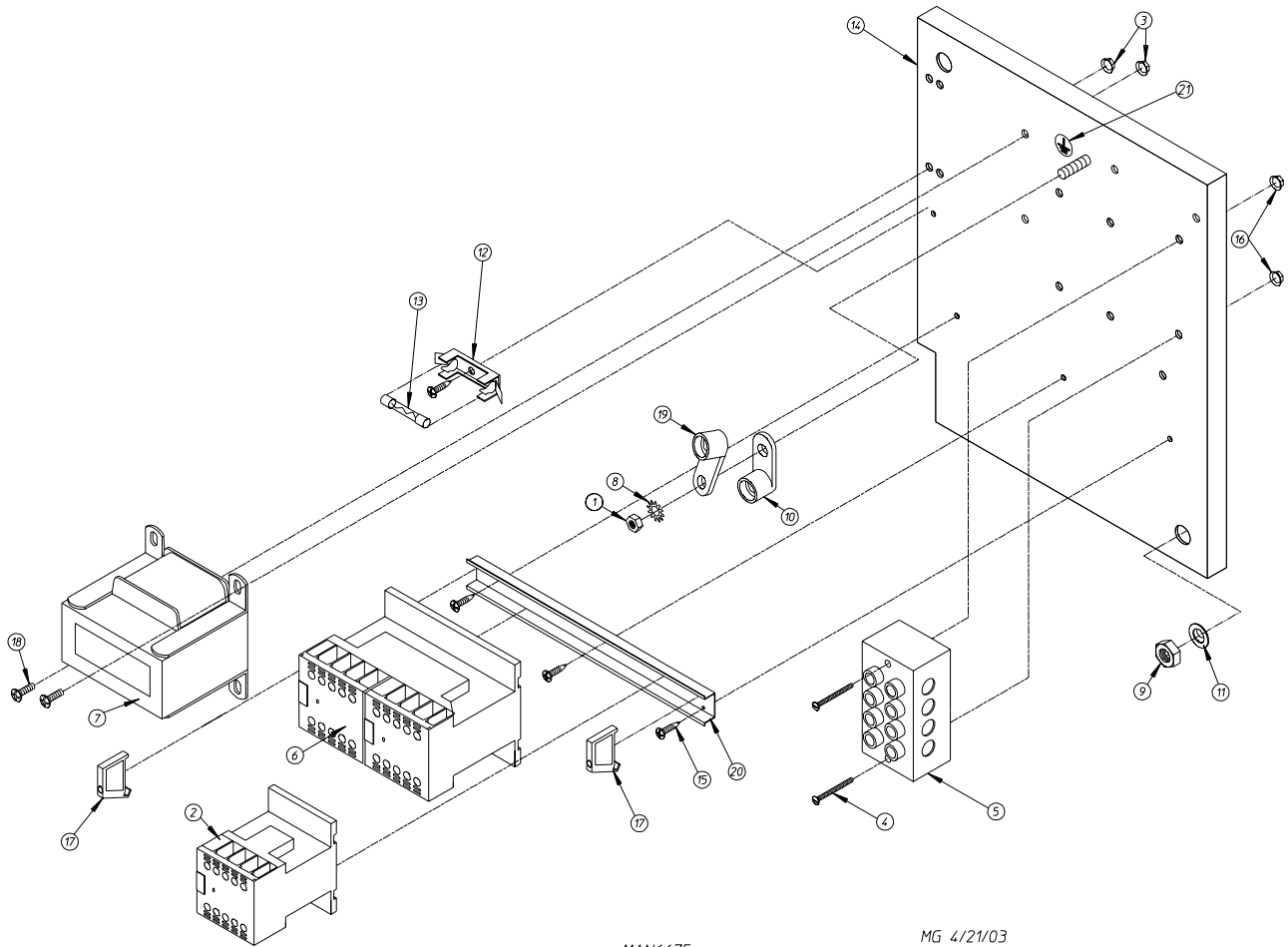
**208-240 Volt**

**For Models Mfd. as of February 3, 2003**

| <u>Illus. No.</u> | <u>Part No.</u> | <u>Qty.</u> | <u>Description</u>                              |
|-------------------|-----------------|-------------|---|
| 1                 | 152002          | 1           | 1/4-20 Hex Nut                                  |
| 2                 | 132514          | 1           | 3ø Contactor with Arc Suppressor                |
| 3                 | 151001          | 2           | #8-32 Pal Nut                                   |
| 4                 | 150009          | 2           | #6-32 x 1-1/2" Slotted Round Head Machine Screw |
| 5                 | 120701          | 1           | 4 Position Terminal Block                       |
| 6                 | 132497          | 1           | Reversing Contactor with Arc Suppressor         |
| 7                 | 822764          | 1           | 208-240v Transformer Assembly                   |
| 8                 | 153021          | 1           | 1/4" Exterior/Interior Shake Proof Washer       |
| 9                 | 152004          | 1           | 5/16-18 Hex Nut                                 |
| 10                | 153525          | 1           | 1/4-20 x 1" Self-Clinching Stud                 |
| 11                | 153002          | 1           | 5/16" Lock Washer                               |
| 12                | 136008          | 2           | Fuse Holder                                     |
| 13                | 136057          | 2           | 1/2-amp 3AG (Slo-Blo) Fuse                      |
| 14                | 332346          | 1           | Relay Panel                                     |
| 15                | 150301          | 5           | #8-18 x 7/16" Phillips Head TEK Screw           |
| 16                | 151000          | 2           | #6-32 Pal Nut                                   |
| 17                | 120765          | 2           | End Stop  |
| 18                | 150108          | 2           | #8-32 x 1/2" Phillips Head Machine Screw        |
| 19                | 121010          | 2           | L-70 14-4 Terminal Lug                          |
| 20                | 120768          | 7-3/4"      | 35 x 15mm Din Rail                              |
| 21                | 112075          | 1           | Ground Label                                    |
| ---               | 112068          | 1           | 3ø Power Input Label (not illustrated)          |

# 44 Microprocessor Reversing Contactor Mounting Panel Assembly (Gas and Steam)

380-416 Volt  
For Models Mfd. as of February 3, 2003



MAN6675

MG 4/21/03

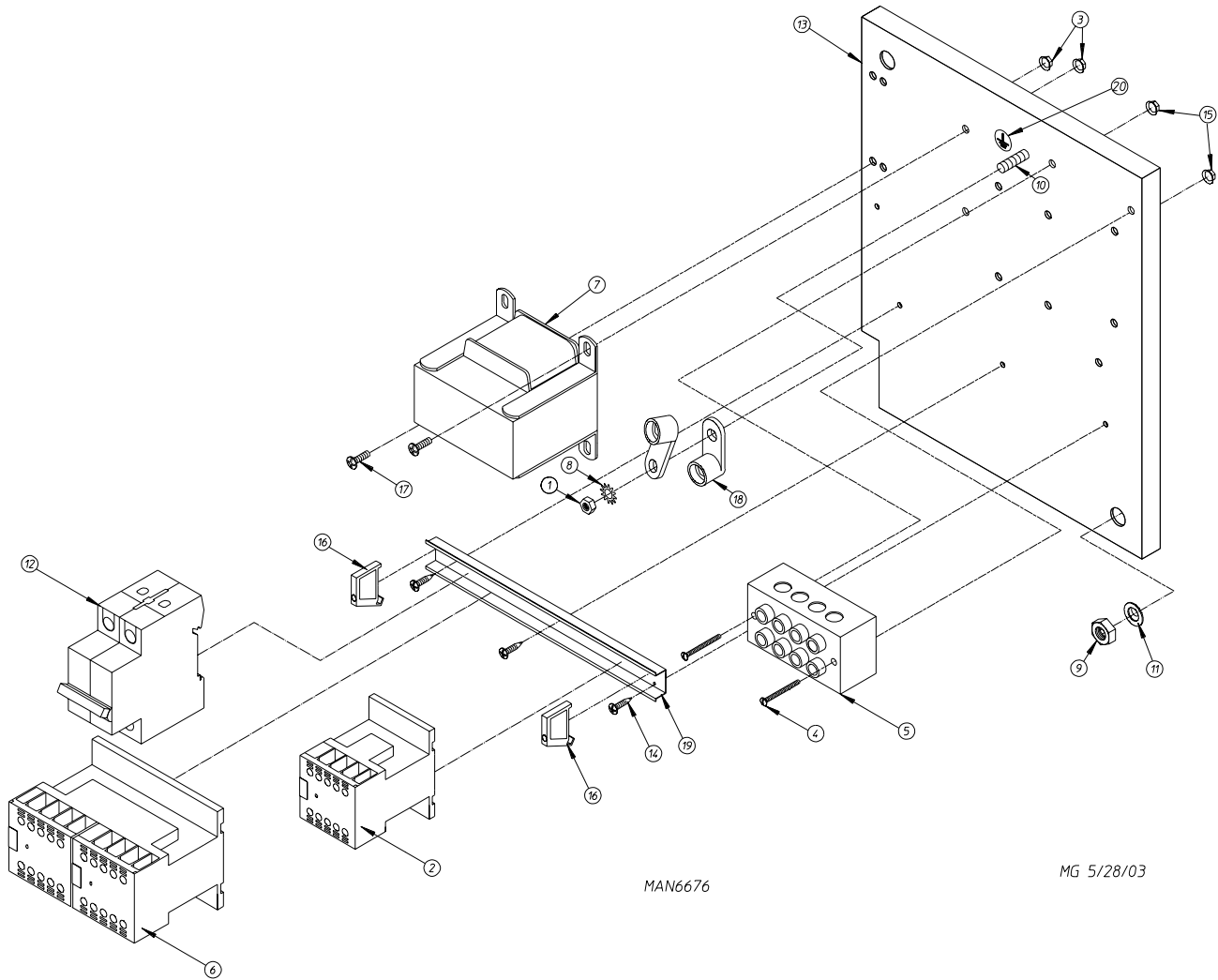
**380-416 Volt**

**For Models Mfd. as of February 3, 2003**

| <u>Illus. No.</u> | <u>Part No.</u> | <u>Qty.</u> | <u>Description</u>                              |
|-------------------|-----------------|-------------|---|
| 1                 | 152002          | 1           | 1/4-20 Hex Nut                                  |
| 2                 | 132514          | 1           | 3ø Contactor with Arc Suppressor                |
| 3                 | 151001          | 2           | #8-32 Pal Nut                                   |
| 4                 | 150009          | 2           | #6-32 x 1-1/2" Slotted Round Head Machine Screw |
| 5                 | 120701          | 1           | 4 Position Terminal Block                       |
| 6                 | 132497          | 1           | Reversing Contactor with Arc Suppressor         |
| 7                 | 830211          | 1           | 380-416V Transformer Assembly                   |
| 8                 | 153021          | 1           | 1/4" Exterior/Interior Shake Proof Washer       |
| 9                 | 152004          | 1           | 5/16-18 Hex Nut                                 |
| 10                | 121012          | 1           | Ground Lug                                      |
| 11                | 153002          | 1           | 5/16" Lock Washer                               |
| 12                | 136008          | 1           | Fuse Holder                                     |
| 13                | 136057          | 1           | 1/2-amp 3AG (Slo-Blo) Fuse                      |
| 14                | 332346          | 1           | Relay Panel                                     |
| 15                | 150301          | 4           | #8-18 x 7/16" Phillips Head TEK Screw           |
| 16                | 151000          | 2           | #6-32 Pal Nut                                   |
| 17                | 120765          | 2           | End Stop  |
| 18                | 150108          | 2           | #8-32 x 1/2" Phillips Pan Head Machine Screw    |
| 19                | 121012          | 1           | Ground Lug                                      |
| 20                | 120768          | 7-3/4"      | 35 x 15mm Din Rail                              |
| 21                | 112075          | 1           | Ground Label                                    |
| ---               | 112068          | 1           | 3ø Power Input Label (not illustrated)          |

# 46 Microprocessor Reversing Contactor Mounting Panel Assembly (Gas and Steam)

460-480 Volt  
For Models Mfd. as of February 25, 2003



MAN6676

MG 5/28/03



**460-480 Volt**

**For Models Mfd. as of February 25, 2003**

| <u>Illus. No.</u> | <u>Part No.</u> | <u>Qty.</u> | <u>Description</u>                              |
|-------------------|-----------------|-------------|---|
| 1                 | 152002          | 1           | 1/4-20 Hex Nut                                  |
| 2                 | 132514          | 1           | 3ø Contactor with Arc Suppressor                |
| 3                 | 151001          | 2           | #8-32 Pal Nut                                   |
| 4                 | 150009          | 2           | #6-32 x 1-1/2" Slotted Round Head Machine Screw |
| 5                 | 120701          | 1           | 4 Position Terminal Block                       |
| 6                 | 132497          | 1           | Reversing Contactor with Arc Suppressor         |
| 7                 | 830226          | 1           | 460-480V Transformer Assembly                   |
| 8                 | 153021          | 1           | 1/4" Exterior/Interior Shake Proof Washer       |
| 9                 | 152004          | 1           | 5/16-18 Hex Nut                                 |
| 10                | 153525          | 1           | 1/4-20 x 1" Self-Clinching Stud                 |
| 11                | 153002          | 1           | 5/16" Lock Washer                               |
| 12                | 135501          | 1           | 2-Pole 1-amp Circuit Breaker                    |
| 13                | 332346          | 1           | Relay Panel                                     |
| 14                | 150301          | 3           | #8-18 x 7/16" Phillips Head TEK Screw           |
| 15                | 151000          | 2           | #6-32 Pal Nut                                   |
| 16                | 120765          | 2           | End Stop  |
| 17                | 150108          | 2           | #8-32 x 1/2" Phillips Pan Head Machine Screw    |
| 18                | 121010          | 2           | L-70 14-4 Terminal Lug                          |
| 19                | 120768          | 8-1/4"      | 35 x 55mm Din Rail                              |
| 20                | 112075          | 1           | Ground Label                                    |
| ---               | 112068          | 1           | 3ø Power Input Label (not illustrated)          |

For Electric Models ONLY

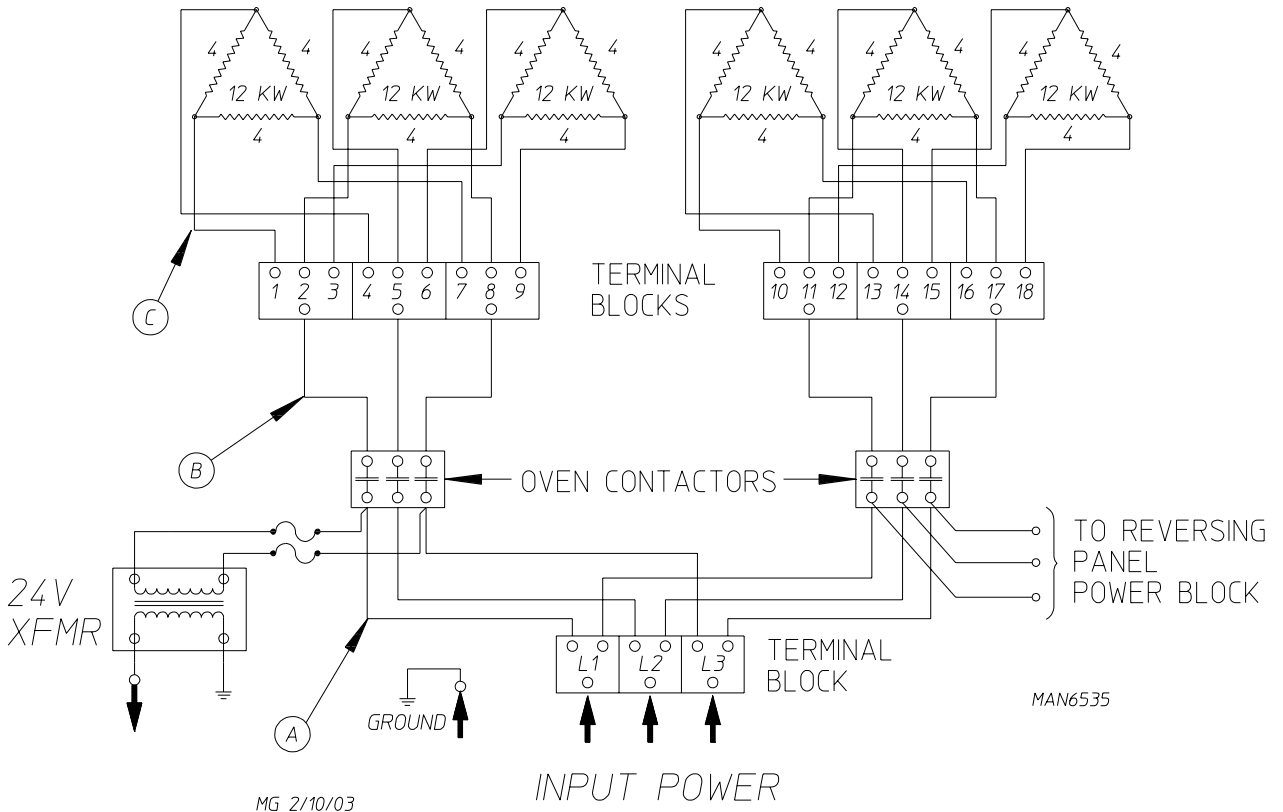
|                                 |                                    |                 |        |        |        |        |        |        |        |        |     |     |     |     |
|---------------------------------|------------------------------------|-----------------|--------|--------|--------|--------|--------|--------|--------|--------|-----|-----|-----|-----|
| <b>72 kW OVEN</b>               | <b>VOLTS</b>                       | 208             |        | 240    |        | 380    |        | 400    |        | 416    |     | 480 |     |     |
|                                 | <b>PHASE</b>                       | 3ø              |        | 3ø     |        | 3ø     |        | 3ø     |        | 3ø     |     | 3ø  |     |     |
|                                 | <b>WIRE</b>                        | 3               |        | 3      |        | 3 or 4 |        | 3 or 4 |        | 3 or 4 |     | 3   |     |     |
|                                 | <b>OVEN ASSY. PART NO.</b>         | 802768          |        | 802761 |        | 802769 |        | 802777 |        | ---    |     | --- |     |     |
|                                 | <b>ELEMENTS</b>                    | <b>QTY.</b>     | 18     |        | 18     |        | ---    |        | 18     |        | --- |     | --- |     |
|                                 |                                    | <b>SIZE</b>     | 4 kW   |        | 4 kW   |        | 4 kW   |        | ---    |        | --- |     | --- |     |
|                                 |                                    | <b>PART NO.</b> | 120010 |        | 120011 |        | 120044 |        | 120010 |        | --- |     | --- |     |
|                                 | <b>OVEN WIRE WITH TERMINAL LUG</b> | <b>QTY.*</b>    | ---    | 18'    | ---    | 18'    | ---    | ---    | ---    | 18'    | --- | --- | --- | --- |
|                                 |                                    | <b>SIZE</b>     | #2     | #8     | #2     | #8     | #2     | #8     | #2     | #8     | --- | --- | --- | --- |
|                                 |                                    | <b>PART NO.</b> | 883789 | 883777 | 883789 | 883777 | 883789 | 883777 | 883789 | 883777 | --- | --- | --- | --- |
| <b>BUS BAR PART NO. 121011*</b> | 2'                                 |                 | 2'     |        | ---    |        | 3'     |        | ---    |        | --- |     |     |     |

\* Call factory for information not listed.

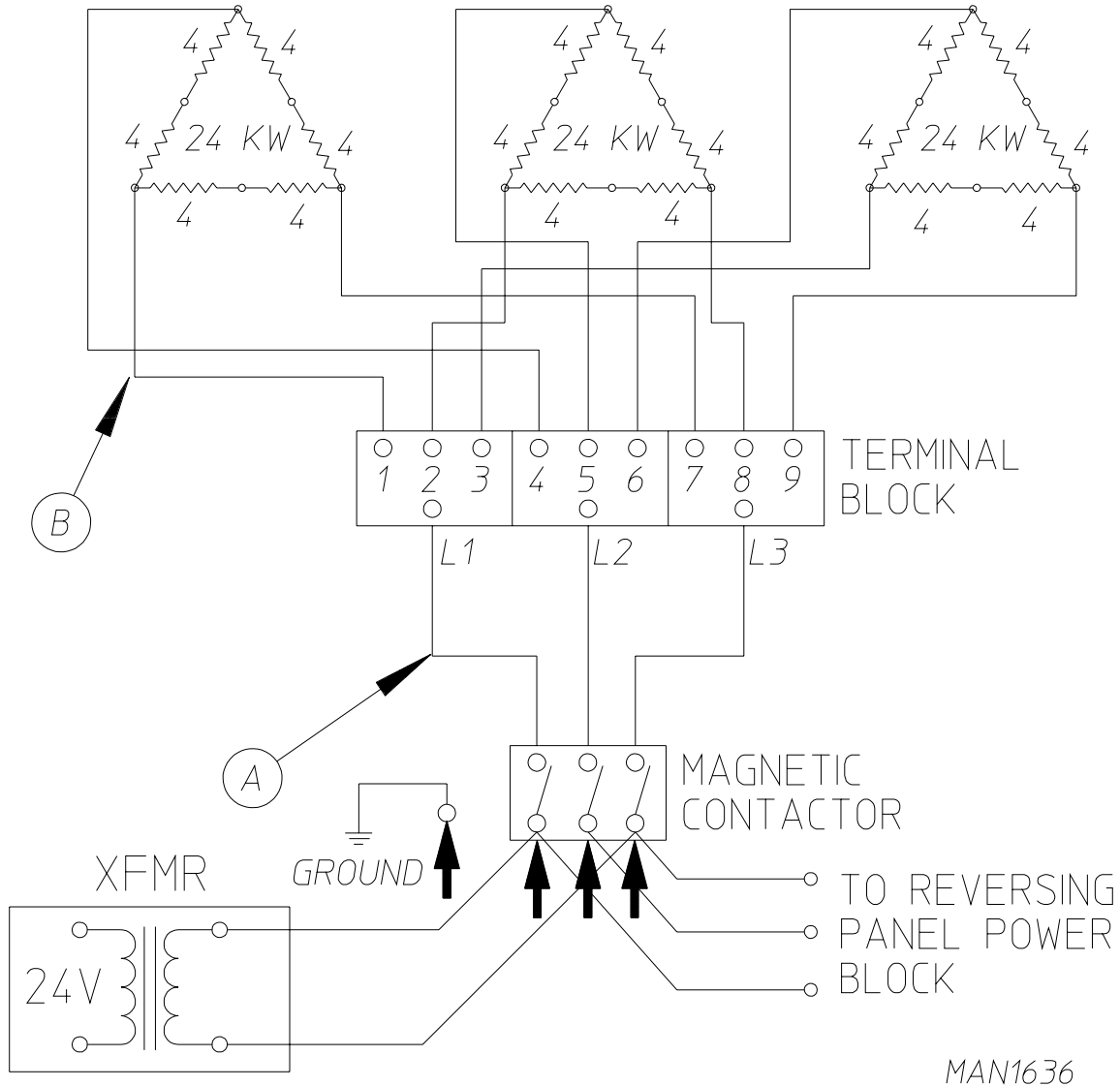
|                                 |                                    |                 |     |     |     |     |     |     |     |        |        |        |        |        |
|---------------------------------|------------------------------------|-----------------|-----|-----|-----|-----|-----|-----|-----|--------|--------|--------|--------|--------|
| <b>60 kW OVEN</b>               | <b>VOLTS</b>                       | ---             |     | --- |     | --- |     | --- |     | 480    |        | ---    |        |        |
|                                 | <b>PHASE</b>                       | ---             |     | --- |     | --- |     | --- |     | 3ø     |        | ---    |        |        |
|                                 | <b>WIRE</b>                        | ---             |     | --- |     | --- |     | --- |     | 3      |        | ---    |        |        |
|                                 | <b>OVEN ASSY. PART NO.</b>         | ---             |     | --- |     | --- |     | --- |     | 803872 |        | ---    |        |        |
|                                 | <b>ELEMENTS</b>                    | <b>QTY.</b>     | --- |     | --- |     | --- |     | --- |        | 18     |        | ---    |        |
|                                 |                                    | <b>SIZE</b>     | --- |     | --- |     | --- |     | --- |        | 3.3 kW |        | ---    |        |
|                                 |                                    | <b>PART NO.</b> | --- |     | --- |     | --- |     | --- |        | 120076 |        | ---    |        |
|                                 | <b>OVEN WIRE WITH TERMINAL LUG</b> | <b>QTY.*</b>    | --- | --- | --- | --- | --- | --- | --- | ---    | ---    | 9'     | 3'     | 3'     |
|                                 |                                    | <b>SIZE</b>     | #2  | #8  | #2  | #8  | #1  | #8  | #1  | #8     | #2     | #8     | #8     | #8     |
|                                 |                                    | <b>PART NO.</b> | --- | --- | --- | --- | --- | --- | --- | ---    | ---    | 883777 | 883775 | 883776 |
| <b>BUS BAR PART NO. 121011*</b> | ---                                |                 | --- |     | --- |     | --- |     | 11' |        | 2.5"   |        | 11"    |        |

\* Sold by the foot.

72 kW 208-240 VAC 3 $\phi$  50/60 Hz

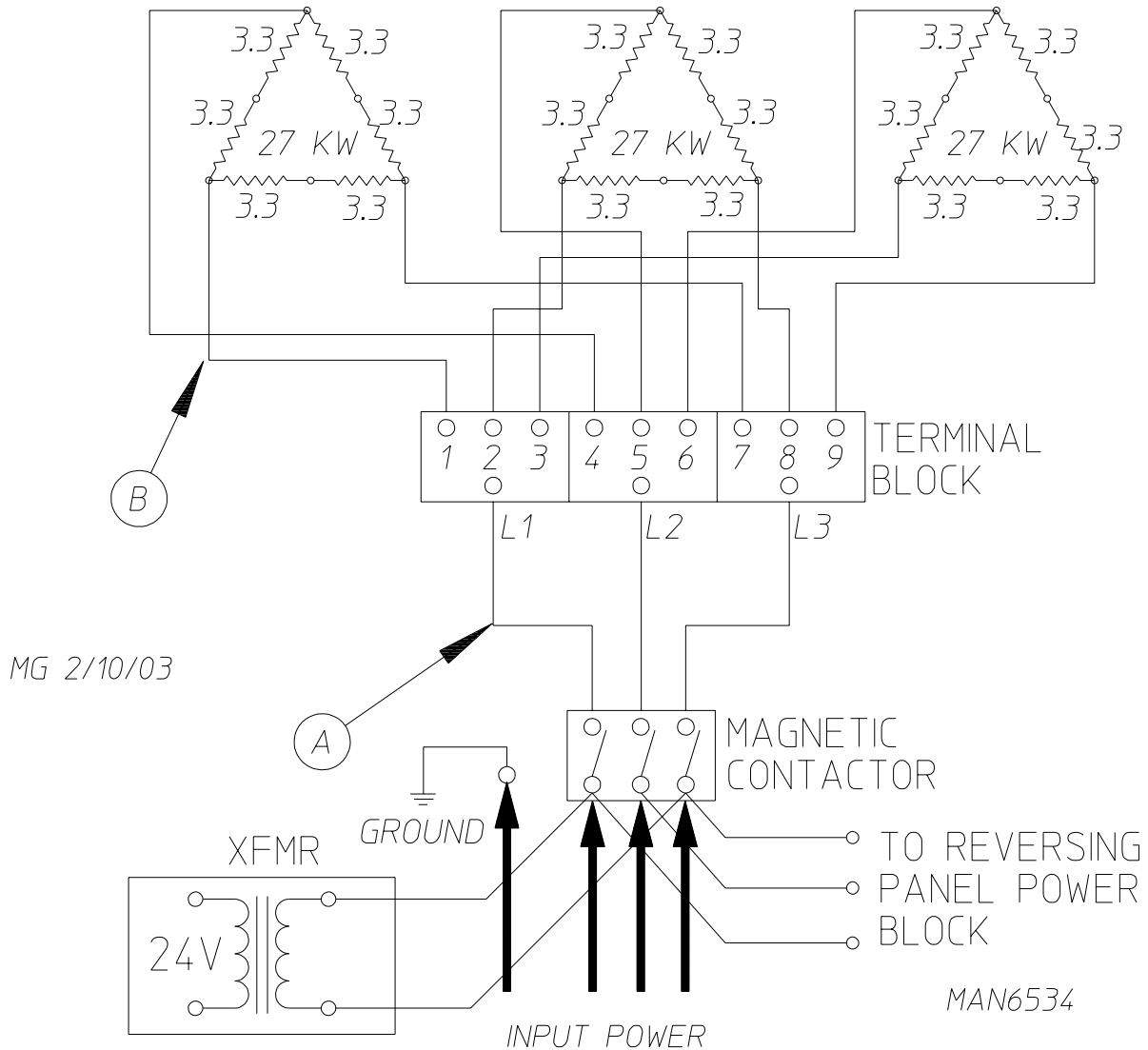


| ELECTRIC SERVICE | QTY. ELEMENTS | ELEMENT PART NUMBER | OVEN AMPS | WIRE SIZE |   |   | CONTACTOR | 24 VAC STEP DOWN TRANSFORMER |
|------------------|---------------|---------------------|-----------|-----------|---|---|-----------|------------------------------|
|                  |               |                     |           | A         | B | C |           |                              |
| 208v 3 $\phi$ 3  | 18            | 120010              | 200       | 2         | 2 | 8 | 131358    | 883782                       |
| 240v 3 $\phi$ 3  | 18            | 120011              | 174       | 2         | 2 | 8 | 131358    | 883782                       |

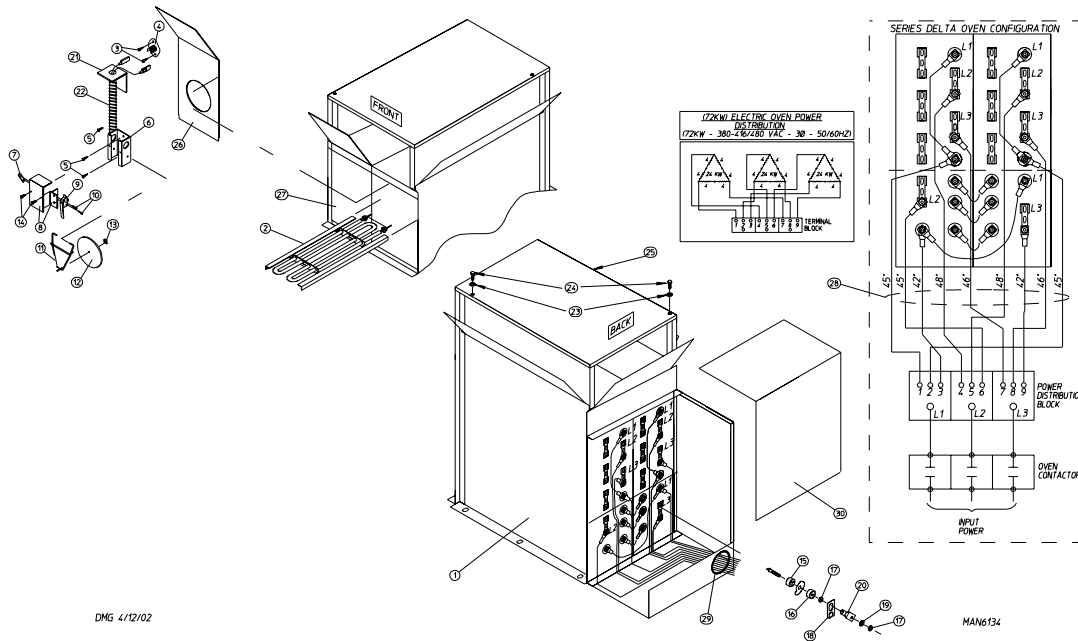


| ELECTRIC SERVICE    | QTY. ELEMENTS | ELEMENT PART NUMBER | OVEN AMPS | WIRE SIZE |   | CONTACTOR | 24 VAC STEP DOWN TRANSFORMER |
|---------------------|---------------|---------------------|-----------|-----------|---|-----------|------------------------------|
|                     |               |                     |           | A         | B |           |                              |
| 380v 3 $\phi$ 3, 4w | 18            | 120044              | 110       | 2         | 8 | 131385    | 132004                       |
| 400v 3 $\phi$ 3, 4w | 18            | 120010              | 104       | 2         | 8 | 131358    | 132004                       |
| 416v 3 $\phi$ 3, 4w | 18            | 120008              | 100       | 2         | 8 | 131385    | 132004                       |
| 440v 3 $\phi$ 3, 4w | 18            | 120013              | 100       | 2         | 8 | 131358    | 132098                       |
| 480v 3 $\phi$ 3, 4w | 18            | 120009              | 87        | 2         | 8 | 131385    | 132004                       |

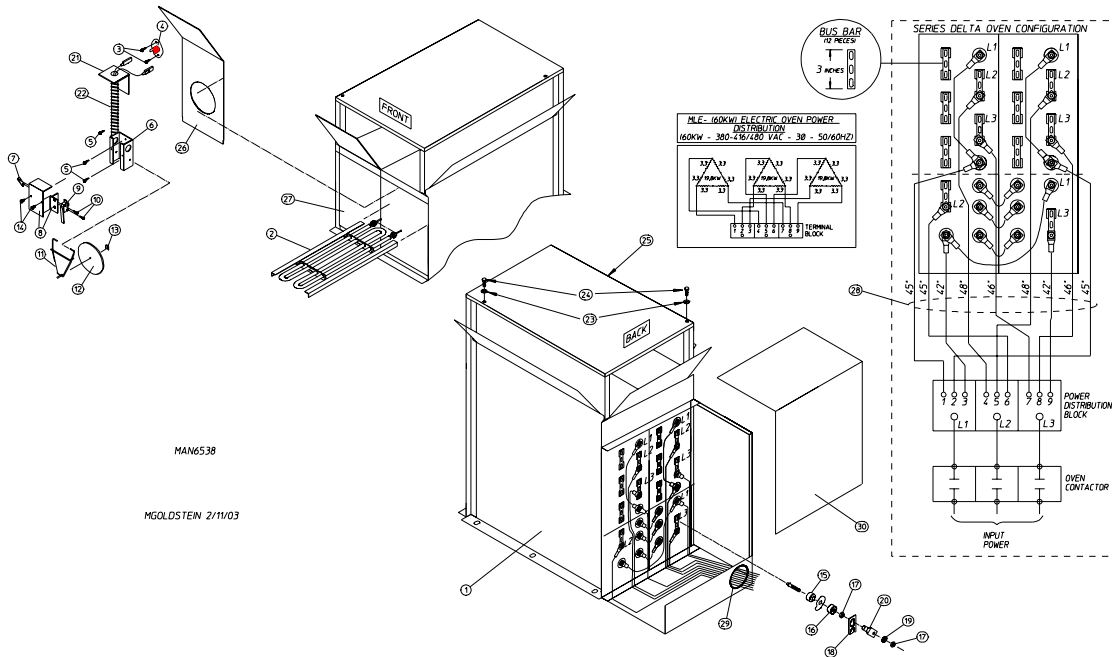
60 kW 380-416/480 VAC 3 $\phi$  50/60 Hz



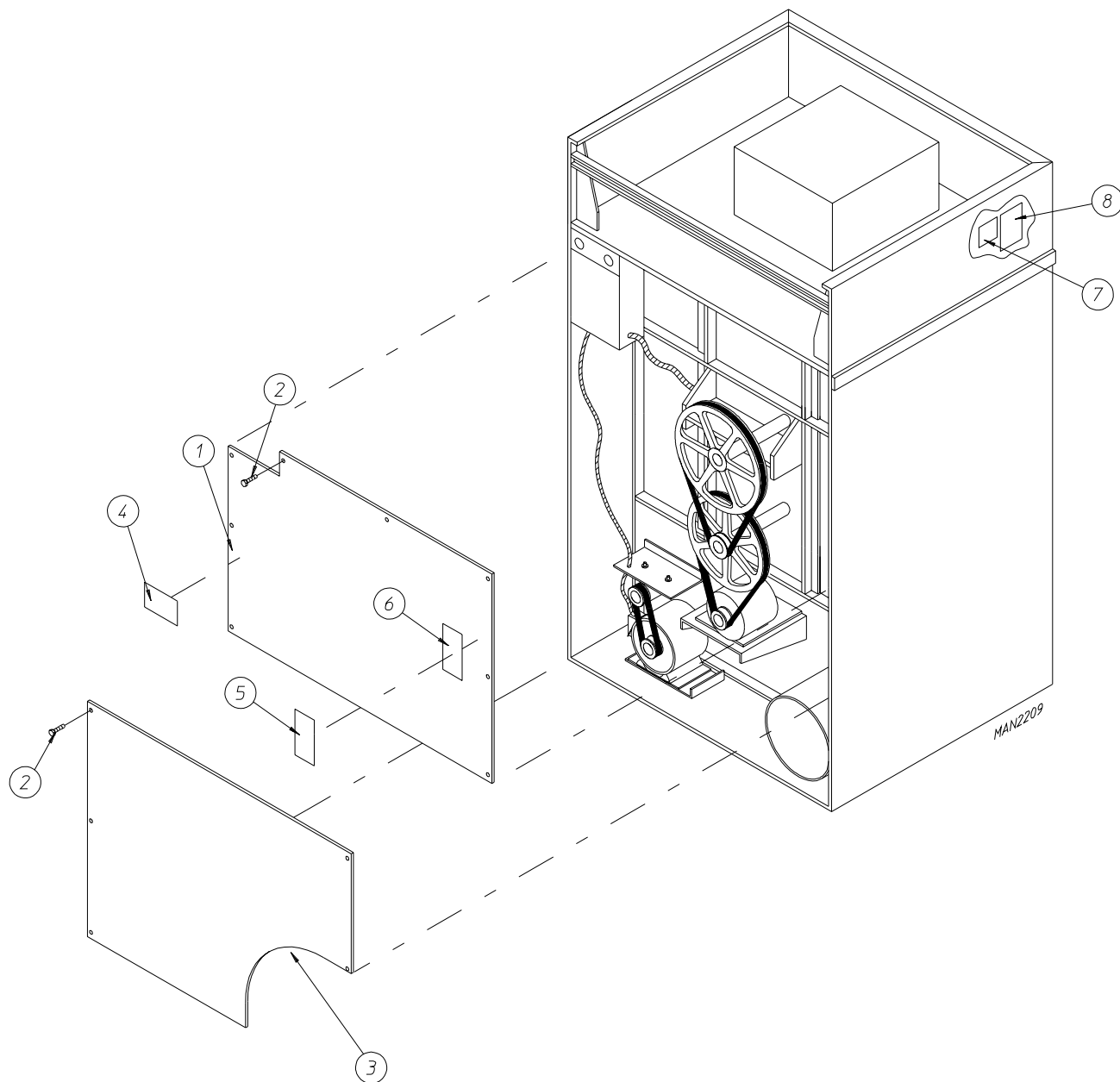
| ELECTRIC SERVICE    | QTY. ELEMENTS | ELEMENT PART NUMBER | OVEN AMPS | WIRE SIZE |     | CONTACTOR | 24 VAC STEP DOWN TRANSFORMER |
|---------------------|---------------|---------------------|-----------|-----------|-----|-----------|------------------------------|
|                     |               |                     |           | A         | B   |           |                              |
| 308v 3 $\phi$ 3, 4w | ---           | ---                 | ---       | ---       | --- | ---       | ---                          |
| 416v 3 $\phi$ 3, 4w | ---           | ---                 | ---       | ---       | --- | ---       | ---                          |
| 480v 3 $\phi$ 3, 4w | 18            | 120076              | 96.2      | 2         | 8   | 131385    | 132004                       |



| <u>Illus. No.</u> | <u>Part No.</u> | <u>Qty.</u> | <u>Description</u>  |
|-------------------|-----------------|-------------|---|
| 1                 | 816103          | 1           | Electric Oven Box ONLY                                      |
| 2                 | 120011          | 18          | 4 kW/240V Open Coil Element (for 240 volt oven)             |
|                   | 120010          | 18          | 4 kW/208V Open Coil Element (for 208 volt or 400 volt oven) |
|                   | 120073          | 18          | 4 kW/190V Open Coil Element (for 380 volt oven)             |
| 3                 | 150301          | 2           | #8-18 x 7/16" Phillips Pan Head TEK Screw                   |
| 4                 | 130400          | 1           | 290° Hi-Limit ONLY  |
| 5                 | 150309          | 4           | #10-16 x 1/2" Hex Head TEK CrimpTite Screw                  |
| 6                 | 319200          | 1           | Sail Switch Box   |
| 7                 | 154004          | 1           | Twin Speed Nut  |
| 8                 | 802799          | 1           | Sail Switch Box Cover                                       |
| 9                 | 122200          | 1           | Sail Switch ONLY  |
| 10                | 150303          | 2           | #4 x 3/4" Pan Head "A" Machine Screw                        |
| 11                | 105500          | 1           | Sail Switch Actuator Rod                                    |
| 12                | 319202          | 1           | Sail Switch Damper (flat)                                   |
| 13                | 154002          | 1           | 1/8" Push On Fastener                                       |
| 14                | 150309          | 28          | #10-16 x 1/2" Hex Head TEK CrimpTite Screw                  |
| 15                | 120081          | 36          | Internal Ceramic Insulator                                  |
| 16                | 120080          | 36          | External Ceramic Insulator                                  |
| 17                | 152008          | 72          | #10-32 Hex Nut  |
| 18                | 121011          | 3'          | Bus Bar   |
| 19                | 153009          | 36          | #10 Star Washer   |
| 20                | 121032          | 36          | #8 Rocktherm Connector                                      |
| 21                | 353222          | 1           | Pipe Bracket  |
| 22                | 815707          | 1           | Hi-Limit and Sail Switch Harness                            |
| 23                | 153007          | 2           | 1/4" Lock Washer  |
| 24                | 150512          | 2           | 1/4-20 x 1/2" Long Bolt                                     |
| 25                | 819961          | 1           | Burner Cover Assembly                                       |
| 26                | 321503          | 1           | Right Front Oven Panel                                      |
| 27                | 321502          | 1           | Left Front Oven Panel                                       |
| 28                | 815710          | 1           | #8 Oven Assembly Wiring                                     |
| 29                | 156001          | 1           | Caterpillar Grommet   |
| 30                | 321501          | 1           | Oven Electrical Cover                                       |

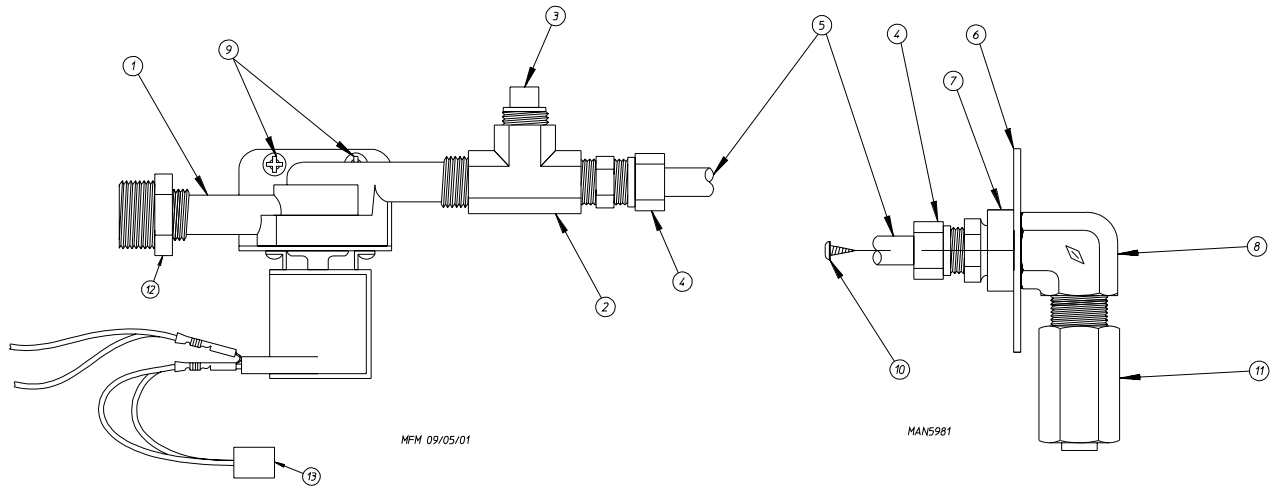


| <u>Illus. No.</u> | <u>Part No.</u> | <u>Qty.</u> | <u>Description</u>                         |
|-------------------|-----------------|-------------|--|
| 1                 | 816103          | 1           | Electric Oven Box ONLY                     |
| 2                 | 120076          | 18          | 3.3 kW/240V Open Coil Element              |
| 3                 | 150301          | 2           | #8-18 x 7/16" Phillips Pan Head TEK Screw  |
| 4                 | 130400          | 1           | 290° Hi-Limit ONLY                         |
| 5                 | 150309          | 4           | #10-16 x 1/2" Hex Head TEK Crimptite Screw |
| 6                 | 319200          | 1           | Sail Switch Box                            |
| 7                 | 154004          | 1           | Twin Speed Nut                             |
| 8                 | 802799          | 1           | Sail Switch Box Cover                      |
| 9                 | 122200          | 1           | Sail Switch Only                           |
| 10                | 150303          | 2           | #4 x 3/4" Pan Head "A" Machine Screw       |
| 11                | 105500          | 1           | Sail Switch Actuator Rod                   |
| 12                | 319202          | 1           | Sail Switch Damper (flat)                  |
| 13                | 154002          | 1           | 1/8" Push On Fastener                      |
| 14                | 150309          | 28          | #10-16 x 1/2" Hex Head TEK Crimptite Screw |
| 15                | 120081          | 36          | Internal Ceramic Insulator                 |
| 16                | 120080          | 36          | External Ceramic Insulator                 |
| 17                | 152008          | 72          | #10-32 Hex Nut                             |
| 18                | 121011          | 3'          | Bus Bar                                    |
| 19                | 153009          | 36          | #10 Star Washer                            |
| 20                | 121032          | 19          | #8 Rocktherm Connector                     |
| 21                | 353222          | 1           | Pipe Bracket                               |
| 22                | 802760          | 1           | Hi-Limit Sail Switch Harness               |
| 23                | 153007          | 2           | 1/4" Lock Washer                           |
| 24                | 150512          | 2           | 1/4-20 x 1/2" Long Bolt                    |
| 25                | 819961          | 1           | Burner Cover Assembly                      |
| 26                | 331278          | 1           | Right Front Oven Panel                     |
| 27                | 331276          | 1           | Left Front Oven Panel                      |
| 28                | 815710          | 1           | #8 Oven Assembly Wiring                    |
| 29                | 156001          | 1           | Caterpillar Grommet                        |
| 30                | 331279          | 1           | Oven Electrical Cover                      |



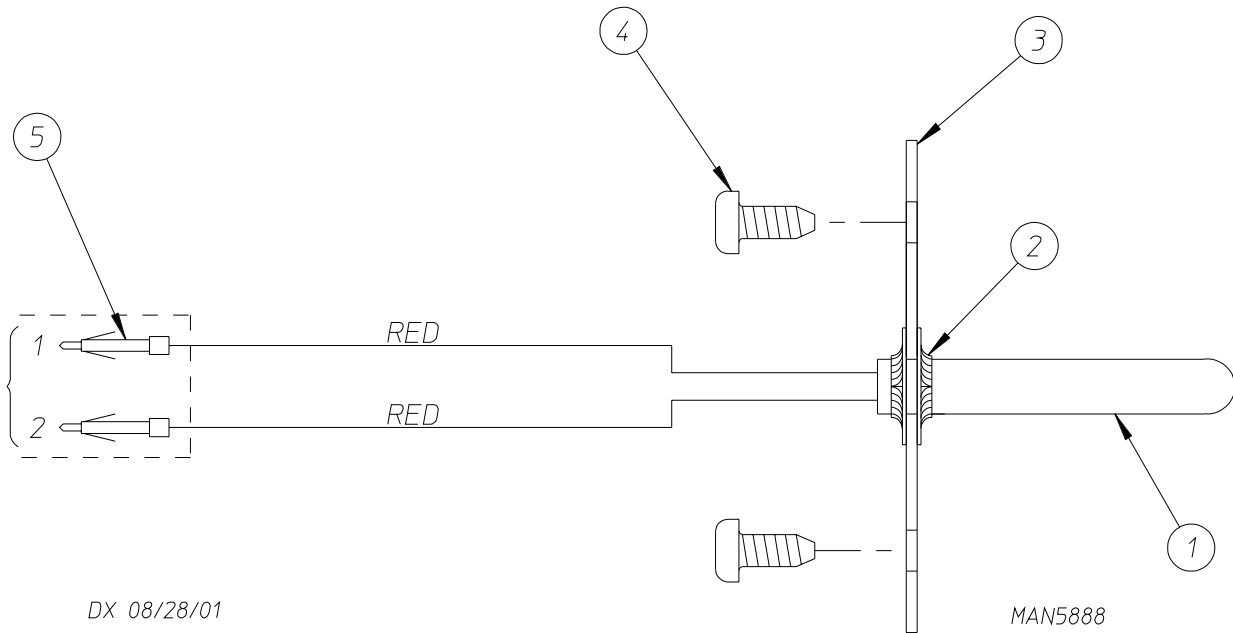
| <u>Illus. No.</u> | <u>Part No.</u> | <u>Qty.</u> | <u>Description</u>  |
|-------------------|-----------------|-------------|---|
| 1                 | 813029          | 1           | Top Back Guard  |
| 2                 | 150301          | 12          | #8-18 x 7/16" Phillips Pan Head TEK Screw                                   |
| 3                 | 354000          | 1           | Gas and Electric Lower Back Guard   |
|                   | 354003          | 1           | Steam Lower Back Guard  |
| 4                 | 112017          | 1           | <b>ADC</b> Name and Address Label   |
| 5                 | 112229          | 1           | Installation Instructions Label   |
| 6                 | 112519          | 1           | Routine Maintenance Label   |
| 7                 | -----           | 1           | Dryer Data Label  |
| 8                 | 114521          | 1           | Phase 7 Non-Coin Program Location Label<br>(for microprocessor models Only) |





| <u>Illus. No.</u> | <u>Part No.</u> | <u>Qty.</u> | <u>Description</u>  |
|-------------------|-----------------|-------------|---|
| 1                 | 165114          | 1           | Sensor Activated Fire Extinguishing (S.A.F.E.) System Solenoid Water Valve 24V 50/60 Hz |
| 2                 | 143220          | 1           | 3/8" F.P.T. Brass Tee   |
| 3                 | 143251          | 1           | 3/8" M.P.T. Brass Plug  |
| 4                 | 143208          | 2           | 3/8" Comp x 3/8" M.P.T. Brass Connector   |
| 5                 | 143099*         | 6'          | 3/8" OD x 0.035 Wall Copper Tubing  |
| 6                 | 311588          | 1           | Sprinkler Head Mounting Plate   |
| 7                 | 143303          | 1           | 3/8" N.P.T. Brass Locknut   |
| 8                 | 143155          | 1           | 3/8" Brass Elbow 90°  |
| 9                 | 150430          | 2           | #10 x 1/2" Self Drilling Screw  |
| 10                | 150301          | 2           | #8-18 x 7/16" Phillips Pan Head TEK Screw   |
| 11                | 143581          | 1           | 3 GPM 3/8" F.P.T. Spray Nozzle  |
| 12                | 142888          | 1           | 1/2" to 3/8" Bushing for Sensor Activated Fire Extinguishing (S.A.F.E.) System Valve    |
| 13                | 824828          | 1           | Arc Suppressor  |

\* Sold by the foot.



| <u>Illus. No.</u> | <u>Part No.</u> | <u>Qty.</u> | <u>Description</u>  |
|-------------------|-----------------|-------------|---|
| 1                 | 822752          | 1           | Sensor Activated Fire Extinguishing (S.A.F.E.) System Temperature Probe Assembly (includes illus. nos. 1 through 5) |
| 2                 | 154007          | 2           | Push On Fastener  |
| 3                 | 390390          | 1           | Sensor Bracket ONLY   |
| 4                 | 150301          | 2           | #8-18 x 7/16" Phillips Pan Head TEK Screw   |
| 5                 | 122647          | 1           | Connector ONLY  |
|                   | 122700          | 2           | Pins  |



