



**AD-15 Parts Manual
24 VAC Phase 5
For models as of July 1, 2002**

American Dryer Corporation
88 Currant Road
Fall River, MA 02720-4781
Telephone: (508) 678-9000 / Fax: (508) 678-9447
E-mail: techsupport@amdry.com
www.amdry.com

ADC Part No. 451101

Retain This Manual In A Safe Place For Future Reference

American Dryer Corporation products embody advanced concepts in engineering, design, and safety. If this product is properly maintained, it will provide many years of safe, efficient, and trouble-free operation.

ONLY qualified technicians should service this equipment.

OBSERVE ALL SAFETY PRECAUTIONS displayed on the equipment or specified in the installation manual included with the dryer.

The following “**FOR YOUR SAFETY**” caution **must be** posted near the dryer in a prominent location.

FOR YOUR SAFETY

Do not store or use gasoline or other flammable vapors and liquids in the vicinity of this or any other appliance.

POUR VOTRE SÉCURITÉ

Ne pas entreposer ni utiliser d'essence ni d'autres vapeurs ou liquides inflammables à proximité de cet appareil ou de tout autre appareil.

We have tried to make this manual as complete as possible and hope you will find it useful. **ADC** reserves the right to make changes from time to time, without notice or obligation, in prices, specifications, colors, and material, and to change or discontinue models.

Important

For your convenience, log the following information:

DATE OF PURCHASE _____ **MODEL NO.** AD-15

RESELLER'S NAME _____

Serial Number(s) _____

Replacement parts can be obtained from your reseller or the **ADC** factory. When ordering replacement parts from the factory, you can FAX your order to **ADC** at (508) 678-9447 or telephone your order directly to the **ADC** Parts Department at (508) 678-9000. Please specify the dryer **model number** and **serial number** in addition to the **description** and **part number**, so that your order is processed accurately and promptly.

The illustrations on the following pages may not depict your particular dryer exactly. The illustrations are a composite of the various dryer models. Be sure to check the descriptions of the parts thoroughly before ordering.

“IMPORTANT NOTE TO PURCHASER”

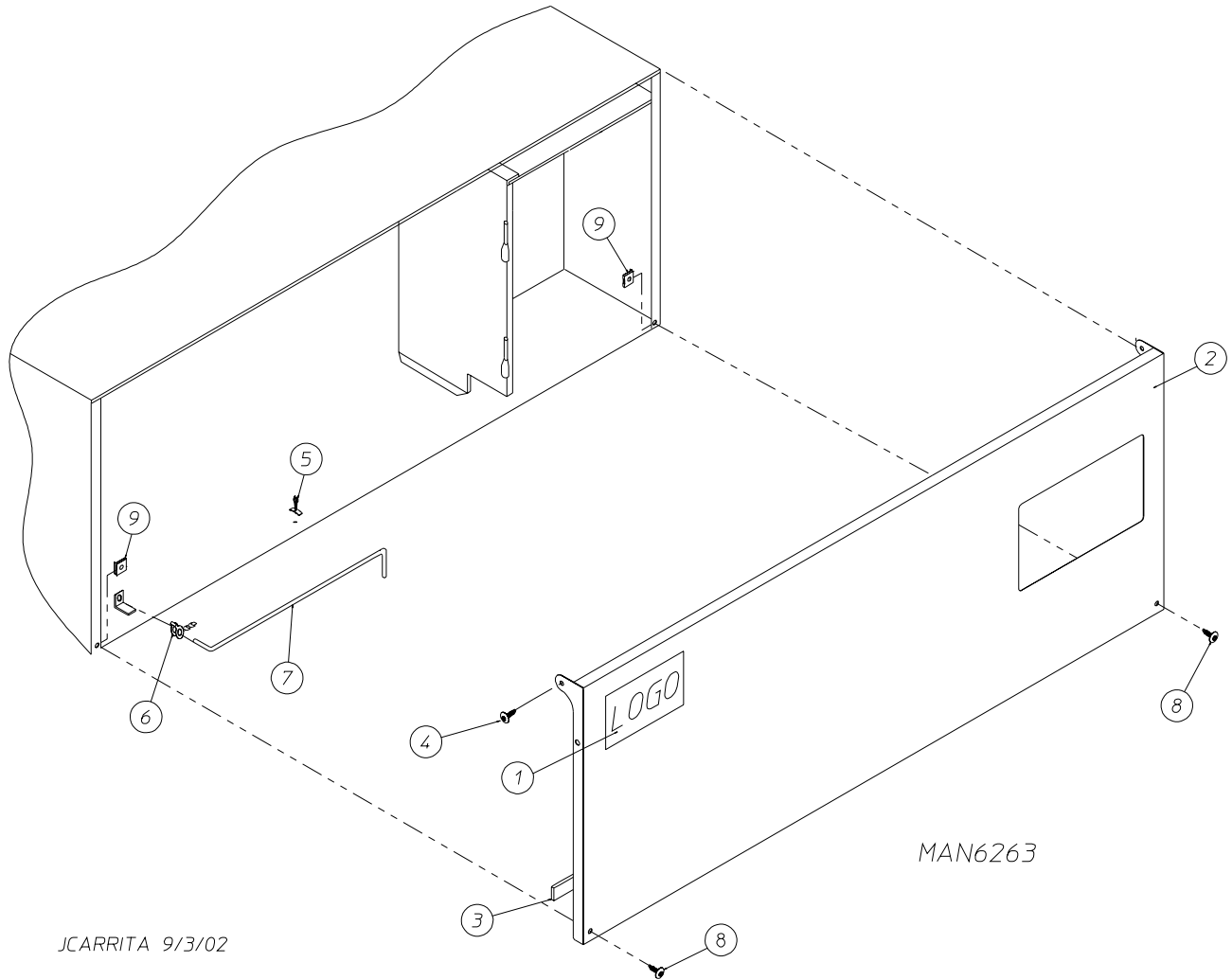
Information **must be** obtained from your local gas supplier on the instructions to be followed if the user smells gas. These instructions **must be** posted in a prominent location near the dryer.

Table of Contents

| | |
|---------------------------------------------------------------------|--------|
| OPL Control Door Assembly | 3 |
| Coin Control Door Assembly | 4 |
| Phase 5 Coin Microprocessor Control Panel Assembly | 5 |
| Phase 5 OPL Microprocessor Control Panel Assembly | 6 |
| Phase 5 Coin and OPL Microprocessor Control Box Assembly | 7 |
| Control Vault Assembly | 8 |
| Dual Timer “Tap Touch” Controls | 9 |
| Non-Microprocessor Coin Meter Control Panel Assembly | 10 |
| Non-Microprocessor Control Box Assembly | 11 |
| Slide Meter Case Assembly | 12 |
| Main Door Assembly | 13 |
| Main Door Switch Assembly | 14 |
| Front Panel Assembly | 15 |
| Basket (Tumbler)/Support Assembly | 16 |
| OPL Drop Lint Door Assembly | 17 |
| Coin Drop Lint Door Assembly | 18 |
| Lint Trap Assembly | 19 |
| Basket (Tumbler) Bearing Assembly | 20 |
| Idler Bearing Assembly | 21 |
| Non-Reversing Motor Mount Assembly | 22, 23 |
| Sensor Bracket Assemblies | 24, 25 |
| Direct Spark Ignition (DSI) Burner Assembly | 26, 27 |
| Electric Oven Assembly | 28, 29 |
| DSI Control Module Assembly | 30 |
| Single-Phase (1 ϕ) Motor, Electric Relay Panel Assembly | 31 |
| 3-Phase (3 ϕ) Motor, Electric Relay Panel Assembly | 32 |

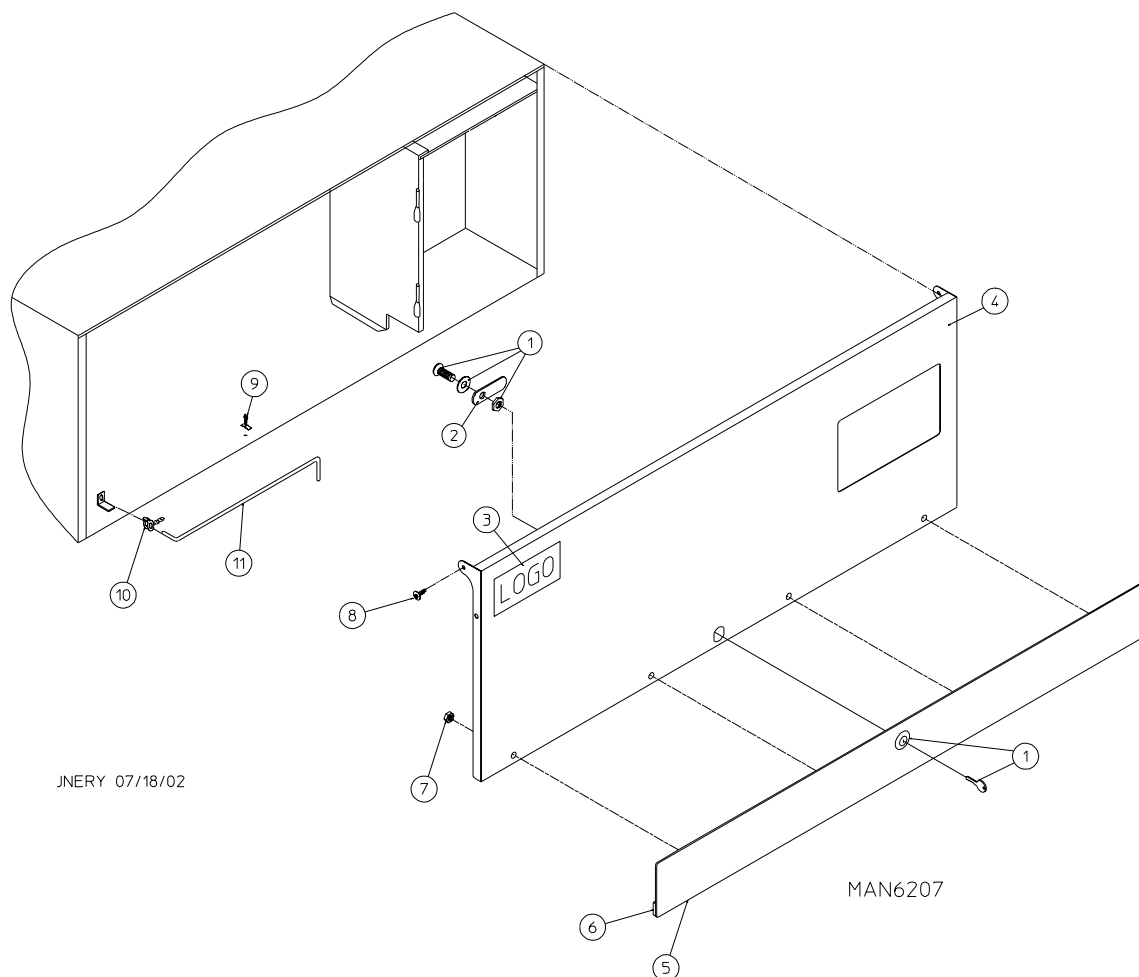
| | |
|------------------------------------------------------|--------|
| Slide Meter Control Box Assembly | 33 |
| Steam Coil/Air-Operated Steam Damper Assembly | 34, 35 |
| Steam Coil/Mechanical Steam Damper Assembly | 36, 37 |
| Outer Top/Back Guard Assembly | 38 |
| Coin Meter Replacement Parts | 39 |
| Transformer Usage Listing for Gas/Steam Dryers | 40 |
| Transformer Usage Listing for Electric Dryers | 41 |
| Electric Oven Component Application Chart | 42 |
| Additional Parts Available | 43 |

OPL Control Door Assembly



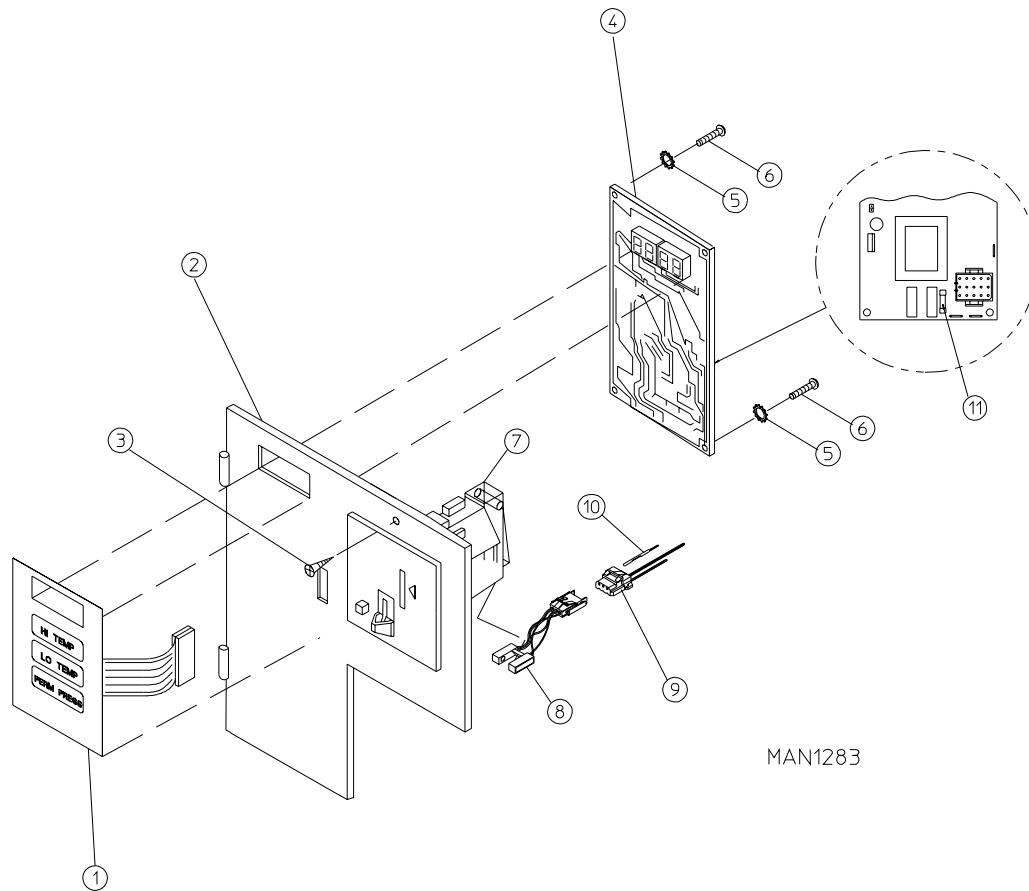
| <u>Illus. No.</u> | <u>Part No.</u> | <u>Qty.</u> | <u>Description</u> |
|-------------------|-----------------|-------------|-----------------------------------------------------------------------|
| 1 | 881053 | 1 | ADC Logo ONLY (with double adhesive tape) |
| | 870011 | 1 | Logo Double Tape Kit...Not Illustrated |
| 2 | 883388 | 1 | White Control Door (includes illus. nos. 2 and 3) |
| | 883389 | 1 | Coral Blue Control Door (includes illus. nos. 2 and 3) |
| | 883390 | 1 | Ivory Control Door (includes illus. nos. 2 and 3) |
| | 817180 | 1 | Stainless Steel Control Door (includes illus. nos. 2 and 3) |
| 3 | 117604 | 4 | Neoprene Sponge Tape (sold by the foot) |
| 4 | 150317 | 2 | #10-16 x 3/4" TORX Plus BTN Type 1 |
| 5 | 102603 | 1 | Control Door Rod Catch |
| 6 | 102601 | 1 | Control Door Rod Retainer Clip |
| 7 | 102502 | 1 | Control Door Support Rod |
| 8 | 150321 | 2 | #10-32 x 1/2" Phillips Machine Screw |
| 9 | 154011 | 2 | #10-32 Multi-Thread U-Nut |

Coin Control Door Assembly



| <u>Illus. No.</u> | <u>Part No.</u> | <u>Qty.</u> | <u>Description</u> |
|-------------------|-----------------|-------------|--------------------------------------------------------------------------------------------------|
| 1 | 160015 | 1 | High Security MK-100 Lock Assembly with Key (for coin models Only) |
| | 160104 | 1 | MK-100 Key ONLY |
| 2 | 160016 | 1 | Lock Cam ONLY |
| 3 | 881053 | 1 | ADC Logo with Tape |
| | 870011 | 1 | Double Sided Tape Kit...Not Illustrated |
| 4 | 883416 | 1 | White High Security Control Door Assembly with Black Trim (includes illus. nos. 4 through 7) |
| | 883417 | 1 | Stainless Steel High Security Control Door with Black Trim (includes illus. nos. 4 through 7) |
| | 883418 | 1 | Coral Blue High Security Door Assembly with Black Trim (includes illus. nos. 4 through 7) |
| | 883419 | 1 | Ivory High Security Door Assembly with Black Trim (includes illus. nos. 4 through 7) |
| 5 | 883525 | 1 | Top Black Trim Strip with Lock Hole |
| 6 | 117604 | 6 | Sponge Tape (sold by the foot) |
| 7 | 152014 | 4 | 1/4-20 with 3/4" Free Spin Wash Nut |
| 8 | 150317 | 2 | #10-16 x 3/4" TORX Plus BTN Type 1 |
| 9 | 102603 | 1 | Control Door Rod Catch |
| 10 | 102601 | 1 | Control Door Rod Retainer Clip |
| 11 | 102502 | 1 | Control Door Support Rod |

Phase 5 Coin Microprocessor Control Panel Assembly

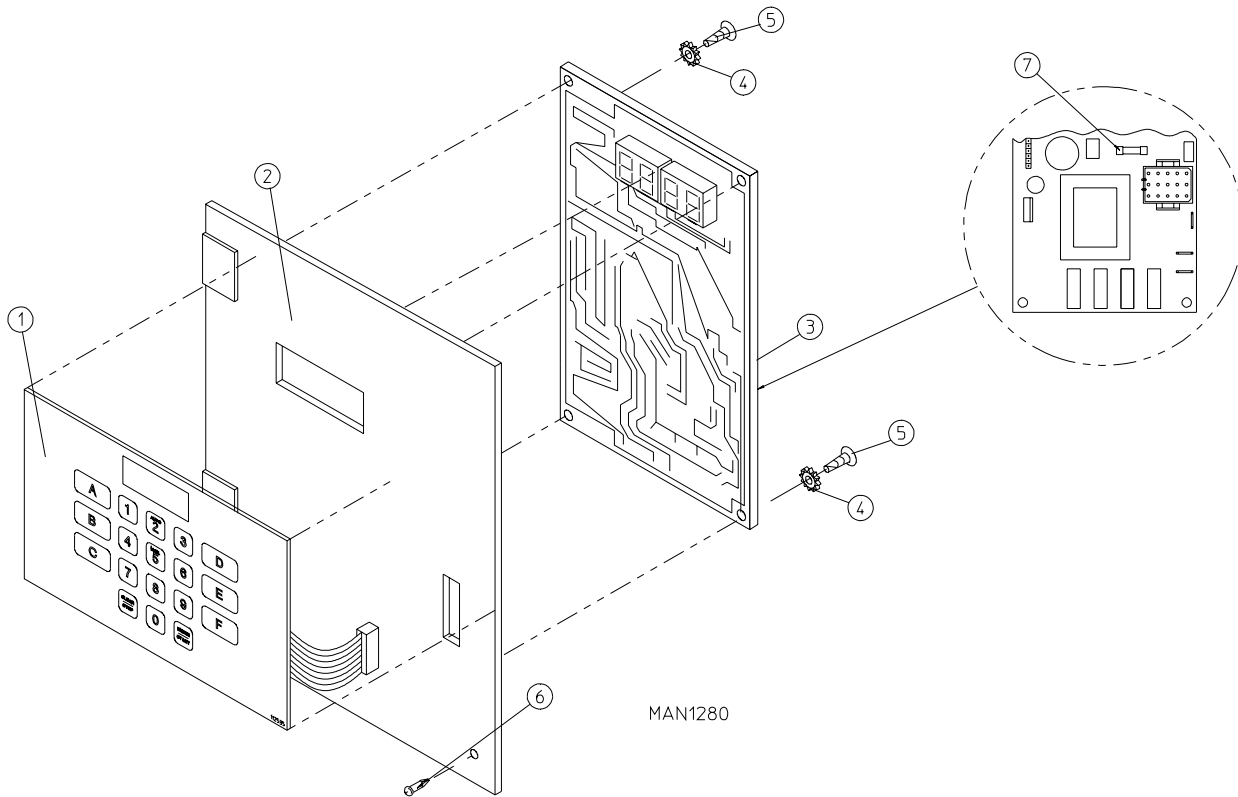


| <u>Illus. No.</u> | <u>Part No.</u> | <u>Qty.</u> | <u>Description</u> |
|-------------------|-----------------|-------------|-----------------------------------------------------------------------------------------------------------------|
| 1 | 112526 | 1 | Coin Keyboard Label Assembly |
| 2 | 883537 | 1 | Phase 5 Coin Control Panel Assembly (includes illus. nos. 1, 2, 4 through 6 and 11) |
| | 883538 | 1 | Phase 5 Coin Control Panel Assembly ONLY with Battery Option (includes illus. nos. 1, 2, 4 through 6 and 11) |
| | 883539 | 1 | Coin Control Panel ONLY |
| | 883540 | 1 | Coin Control Panel with Battery Bracket |
| 3 | 150309 | 1 | #10-16 x 1/2" Hex Head Crimptite Screw |
| 4 | 137213 | 1 | Phase 5 Coin Controller ONLY |
| | 824998 | 1 | Phase 5 Battery Clip |
| 5 | 153010 | 2 | #6 Star Washer |
| 6 | 150005 | 2 | #6-32 x 1/4" Phillips Round Head Machine Screw |
| 7 | 883363 | 1 | Microprocessor Coin Acceptor with Optical Switch |
| 8 | 881143 | 1 | Optic Switch ONLY |
| 9 | 137023 | 1* | Optic Switch Connector ONLY |
| 10 | 137021 | 3* | Microprocessor Socket ONLY |
| | 122800 | 1 | Pin/Socket Extraction Tool...Not Illustrated |
| 11 | 136048 | 1 | 1/8-Amp (Slo-Bl) Fuse ONLY |

* For dual coin models, double the quantity.

IMPORTANT: Check label on computer chip to verify correct part number for controller.

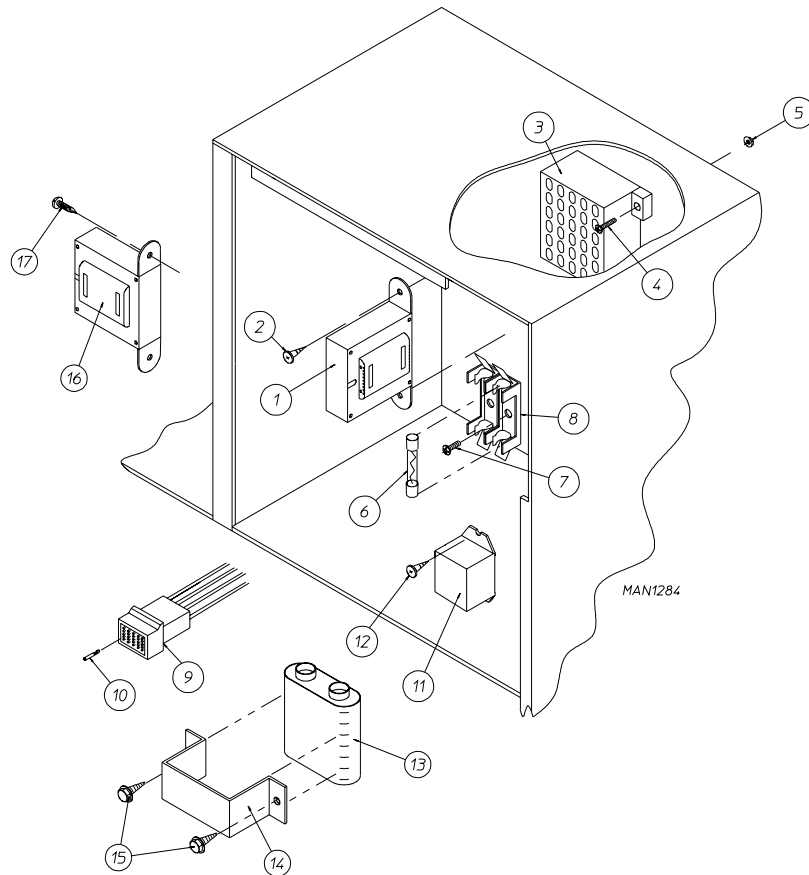
Phase 5 OPL Microprocessor Control Panel Assembly



| <u>Illus. No.</u> | <u>Part No.</u> | <u>Qty.</u> | <u>Description</u> |
|-------------------|-----------------|-------------|-------------------------------------------------------------------------------------------------------------------|
| 1 | 112535 | 1 | OPL English Keyboard Label Assembly |
| | 112276 | 1 | OPL Stick-On Labels (English Only)...Not Illustrated |
| | 112275 | 1 | 3-Language OPL Stick-On Labels...Not Illustrated (Spanish, Italian, and Hebrew) |
| | 112277 | 1 | 3-Language OPL Stick-On Labels...Not Illustrated (English, Spanish, and Hebrew) |
| | 112278 | 1 | 5-Language OPL Stick-On Labels...Not Illustrated (Italian, Dutch, French, German, and Chinese) |
| 2 | 801255 | 1 | Phase 5 Microprocessor Control Panel ONLY |
| | 801256 | 1 | Phase 5 Microprocessor Control Panel ONLY with Battery Bracket |
| | 801206 | 1 | Phase 5 OPL Non-Reversing Microprocessor Control Panel Assembly Complete (includes illus. nos. 1 through 6) |
| | 801207 | 1 | Phase 5 OPL Reversing Microprocessor Control Panel Assembly Complete (includes illus. nos. 1 through 6) |
| 3 | 137222 | 1 | Phase 5 OPL Non-Reversing Controller ONLY |
| | 137231 | 1 | Phase 5 OPL Reversing Controller ONLY |
| | 824998 | 1 | Phase 5 Battery Clip |
| 4 | 153010 | 2 | #6 Star Washer |
| 5 | 150005 | 2 | #6-32 x 1/4" Phillips Round Head Machine Screw |
| 6 | 150300 | 1 | #10-16 x 1/2" Hex Washer TEK Screw |
| 7 | 136048 | 1 | 1/8-Amp (Slo-Blo) Fuse |

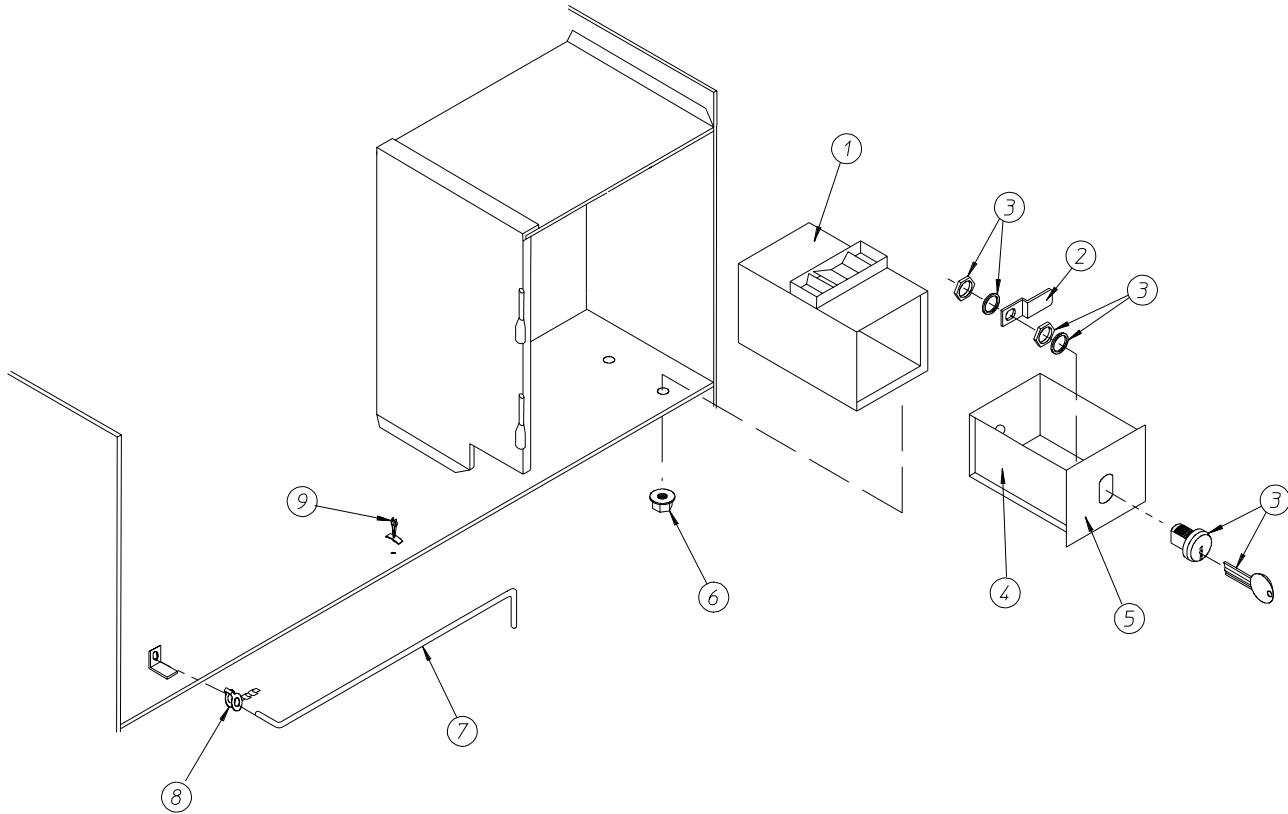
IMPORTANT: Check label on computer chip to verify correct part number for controller.

Phase 5 Coin and OPL Microprocessor Control Box Assembly



| <u>Illus. No.</u> | <u>Part No.</u> | <u>Qty.</u> | <u>Description</u> |
|-------------------|-----------------|-------------|---------------------------------------------------------------------------------------------------------------------------------------------------------------------------------------------------|
| 1 | ----- | 1 | 24 VAC Control Voltage Transformer (refer to Transformer Usage Listing for Gas/Steam Dryers on page 40) (refer to Transformer Usage Listing for Electric Dryers on page 41) |
| 2 | 150300 | 2 | #10-16 x 1/2" Hex Washer TEK Screw |
| 3 | 120715 | 1 | 30-Position Terminal Block |
| 4 | 150002 | 2 | #6-32 x 1" Phillips Round Head Screw |
| 5 | 151000 | 2 | #6-32 Pal Nut |
| 6 | 136057 | * | 1/2-Amp (Slo-Blo) Fuse |
| 7 | 150301 | * | #8-18 x 7/16" Self Drilling Screw |
| 8 | 136008 | * | Fuse Block/Strip ONLY |
| 9 | 122641 | 1 | 15-Pin Microprocessor Connector |
| 10 | 122706 | * | Sockets ONLY |
| 11 | 131931 | 1 | Steam Valve Relay - 24 VAC (for mechanical steam damper models Only) |
| 12 | 150309 | 2 | #10-16 x 1/2" Hex Head Crimptite Screw |
| 13 | 137035 | 1 | Motor Capacitor (for mechanical steam damper models Only) |
| 14 | 323583 | 1 | Capacitor Bracket (for mechanical steam damper models Only) |
| 15 | 150300 | 2 | #10-16 x 1/2" Hex Washer TEK Screw |
| 16 | 132002 | 1 | Transformer (for mechanical steam damper models 208 volts and higher) |
| 17 | 150300 | 2 | #10-16 x 1/2" Hex Washer TEK Screw |

* As required.

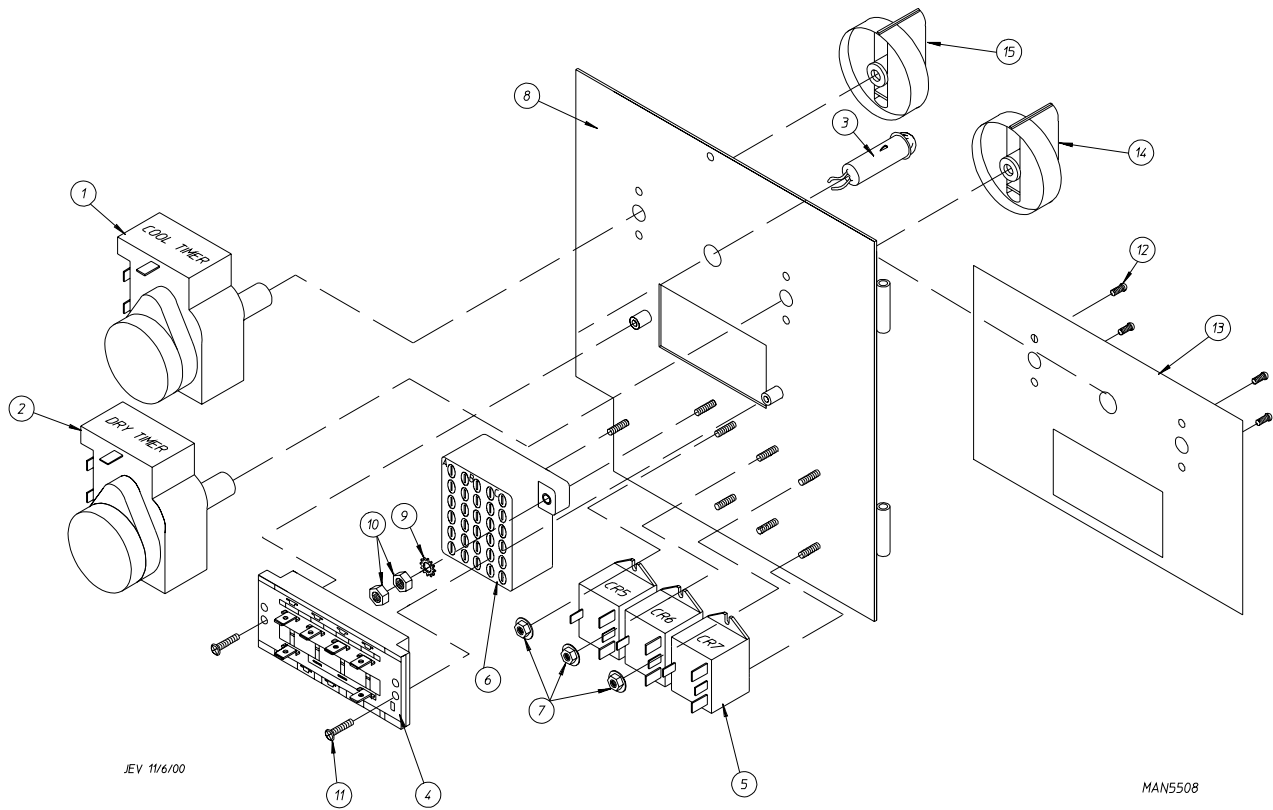


MAN1734

| <u>Illus. No.</u> | <u>Part No.</u> | <u>Qty.</u> | <u>Description</u> |
|-------------------|-----------------|-------------|---------------------------------------------------------------------------------------|
| 1 | 802112 | 1 | Microprocessor Coin Vault Assembly Complete (includes illus. nos. 1 through 6) |
| | 802117 | 1 | Microprocessor Coin Vault ONLY |
| | 802110 | 1 | Non-Microprocessor Coin Vault Assembly Complete (includes illus. nos. 1 through 6) |
| | 802115 | 1 | Non-Microprocessor Coin Vault ONLY |
| 2 | 160028 | 1 | Cam ONLY for 1/4 Turn Lock |
| 3 | 875061 | 1 | 1/4 Turn Lock with Key and Cam |
| | 160105* | 1 | 1/4 Turn Mer-Pel Key ONLY |
| 4 | 802020 | 1 | 1/4 Turn Coin Box Assembly (includes illus. nos. 2 through 5) |
| | 802019 | 1 | 1/4 Turn Coin Box ONLY without Faceplate |
| | 125915 | 1 | High Security (Greenwald) Coin Box ONLY with Key |
| 5 | 802018 | 1 | 1/4 Turn Coin Box Faceplate ONLY |
| 6 | 152014 | 4 | 1/4-20 Free Spin Wash Nut |
| 7 | 102502 | 1 | Control Door Support Rod |
| 8 | 102601 | 1 | Control Door Rod Retainer Clip |
| 9 | 102603 | 1 | Control Door Rod Catch |

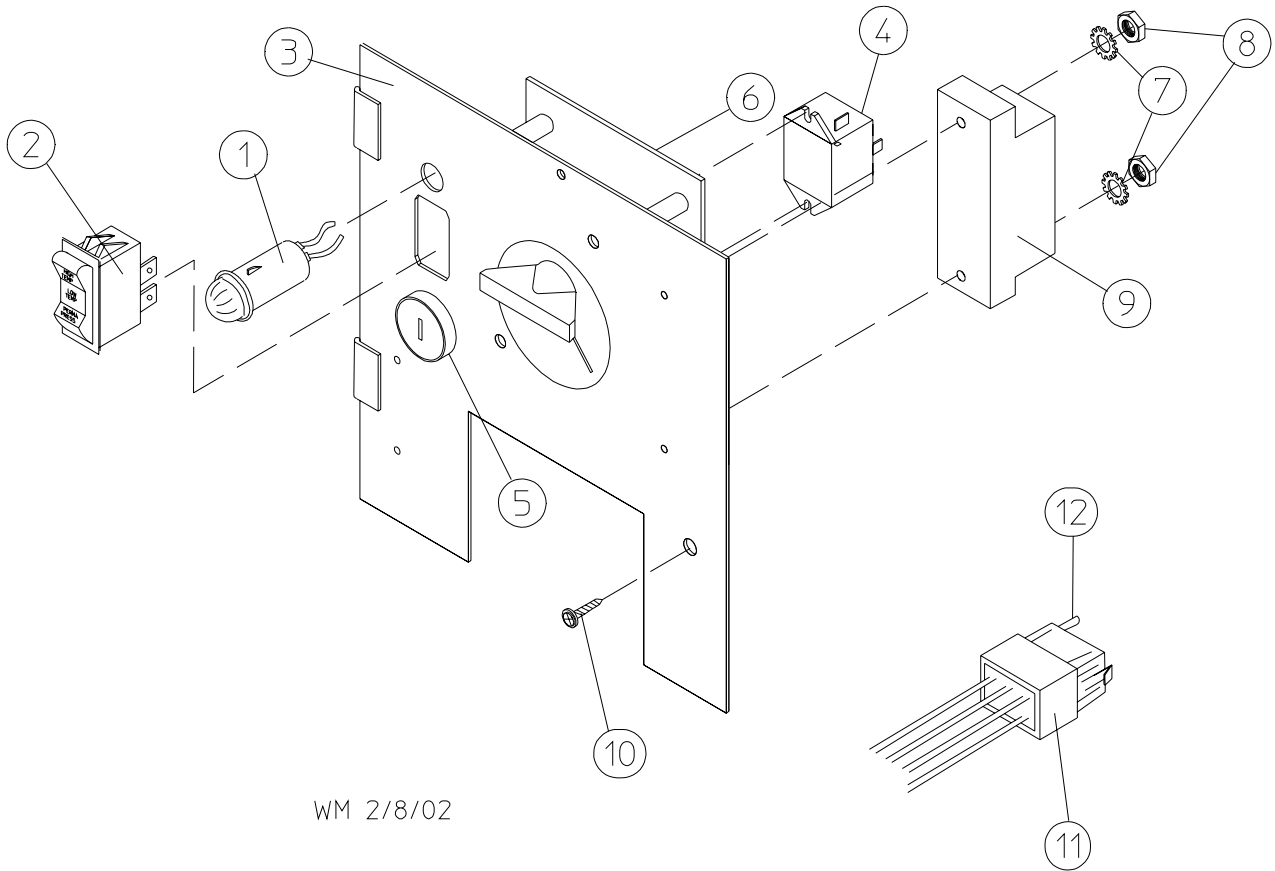
* Specify key number when ordering.

Dual Timer “Tap Touch” Controls



| <u>Illus. No.</u> | <u>Part No.</u> | <u>Qty.</u> | <u>Description</u> |
|-------------------|-----------------|-------------|------------------------------------------------------------------|
| 1 | 124030 | 1 | 15 Minute Timer - 24 VAC |
| 2 | 124025 | 1 | 60 Minute Timer - 24 VAC |
| 3 | 824175 | 1 | Red Pilot Light - 24 VAC |
| 4 | 122301 | 1 | “Tap Touch” Switch |
| 5 | 131932 | 3 | Relay SPST 24v |
| 6 | 120730 | 1 | 30-Position Terminal Block |
| 7 | 151000 | 6 | #6-32 Pal Nut |
| 8 | 882903 | 1 | Dual Timer Panel Complete (includes illus. nos. 1 through 15) |
| | 850392 | 1 | Dual Timer Panel ONLY |
| 9 | 153010 | 2 | #6 Star Washer |
| 10 | 152000 | 3 | #6-32 Hex Nut |
| 11 | 150207 | 2 | #10-24 x 1/2” Phillips Pan Head Machine Screw |
| 12 | 150110 | 4 | #8-32 x 1/4” Phillips Round Head Machine Screw |
| 13 | 112563 | 1 | Dual Timer Panel Overlay |
| 14 | 124104 | 1 | Pure Touch Knob with Red Pointer |
| 15 | 124105 | 1 | Pure Touch Knob with Blue Pointer |

Non-Microprocessor Coin Meter Control Panel Assembly



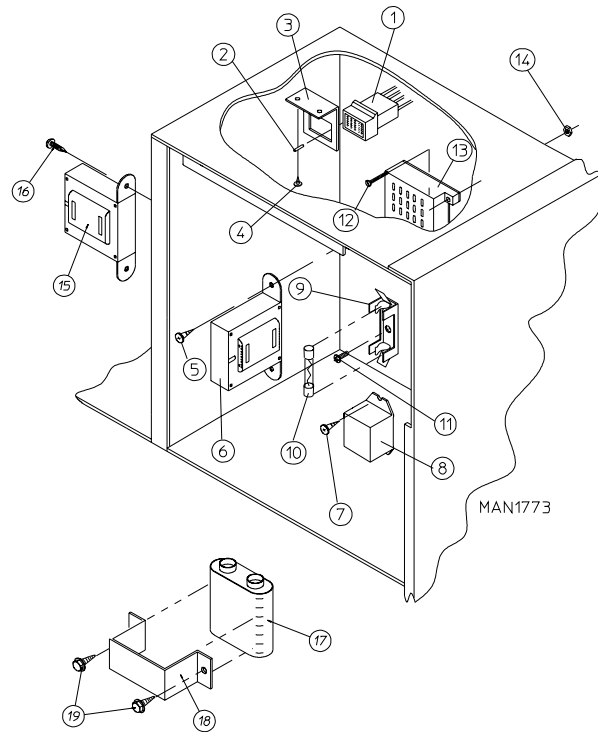
WM 2/8/02

MAN6086

| <u>Illus. No.</u> | <u>Part No.</u> | <u>Qty.</u> | <u>Description</u> |
|-------------------|-----------------|-------------|---------------------------------------------------------------------------------------------------------|
| 1 | 123005 | 1 | Red Indicator Light - 24 VAC |
| 2 | 122400 | 1 | Rocker Heat Selector Switch |
| 3 | 824172 | 1 | Coin Meter Control Panel Assembly Less Coin Meter (includes illus. nos. 1 through 5 and 7 through 9) |
| | 824109 | 1 | Coin Meter Control Panel ONLY |
| 4 | 131932 | 1 | 24 VAC Relay |
| | 154001 | 2 | #10-24 Speed Nut (used on P/N 131932, 24 VAC Relay) |
| 5 | 123225 | 1 | Green Push-To-Start Button |
| 6 | 125601 | 1 | 25¢ Coin Meter - 24 VAC (specify timing) |
| 7 | 153010 | 2 | #6 Star Washer |
| 8 | 152016 | 2 | Hex Nut |
| 9 | 120712 | 1 | 12-Position Terminal Block |
| 10 | 150300 | 1 | #10-16 x 1/2" Hex Washer TEK Screw |
| 11 | 122602 | 1 | 9-Pin Connector |
| 12 | 122700 | 7 | Pin Terminal ONLY |
| | 122801 | 1 | Pin/Socket Extraction Tool...Not Illustrated |

NOTE: For Coin Meter Replacement Parts refer to **page 39**.

Non-Microprocessor Control Box Assembly

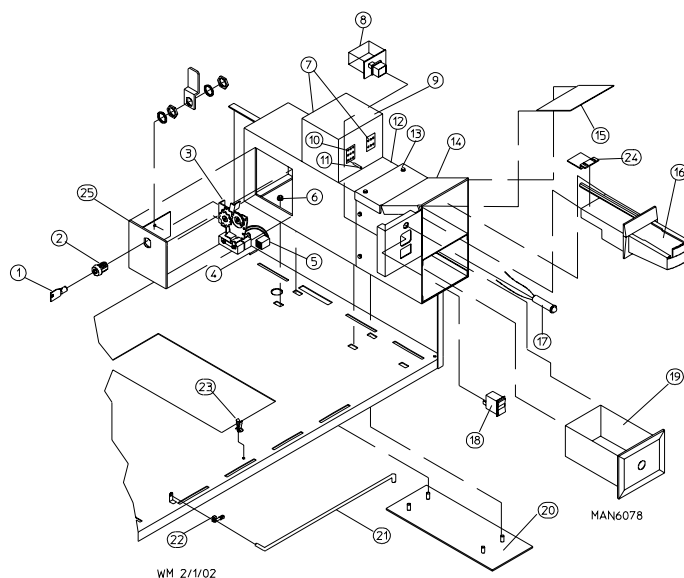


| Illus. No. | Part No. | Qty. | Description |
|------------|----------|------|---------------------------------------------------------------------------------------------------------------------------------------------------------------------------------------------------|
| 1 | 122603 | 1 | 9-Pin Socket Connector |
| 2 | 122701 | 9 | Socket Terminal ONLY |
| | 122801 | 1 | Pin/Socket Extraction Tool...Not Illustrated |
| 3 | 315010 | 1 | 9-Pin Connector Bracket |
| 4 | 150300 | 2 | #10-16 x 1/2" Hex Washer TEK Screw |
| 5 | 150300 | 2 | #10-16 x 1/2" Hex Washer TEK Screw |
| 6 | ----- | 1 | 24 VAC Control Voltage Transformer (refer to Transformer Usage Listing for Gas/Steam Dryers on page 40) (refer to Transformer Usage Listing for Electric Dryers on page 41) |
| 7 | 150309 | 2 | #10-16 x 1/2" Hex Head CrimpTite Screw |
| 8 | 131931 | 1 | Steam Valve Relay (for mechanical steam damper models Only) - 24 VAC |
| 9 | 136008 | * | Fuse Block/Strip ONLY |
| 10** | 136057 | * | 1/2-Amp (Slo-Blo) Fuse ONLY |
| 11 | 150301 | * | #8-18 x 7/16" Phillips Pan Head TEK Screw |
| 12 | 150002 | 2 | #6-32 x 1" Phillips Round Head Machine Screw |
| 13 | 120715 | 1 | 30-Position Terminal Block |
| 14 | 151000 | 2 | #6-32 Pal Nut |
| 15 | 132002 | 1 | Transformer (for mechanical steam damper 208 VAC and higher) |
| 16 | 150300 | 2 | #10-16 x 1/2" Hex Washer TEK Screw |
| 17 | 137035 | 1 | Motor Capacitor (for mechanical steam damper models Only) |
| 18 | 323583 | 1 | Capacitor Bracket (for mechanical steam damper models Only) |
| 19 | 150300 | 2 | #10-16 x 1/2" Hex Washer TEK Screw |

* As required.

** Check fuse on dryer for verification.

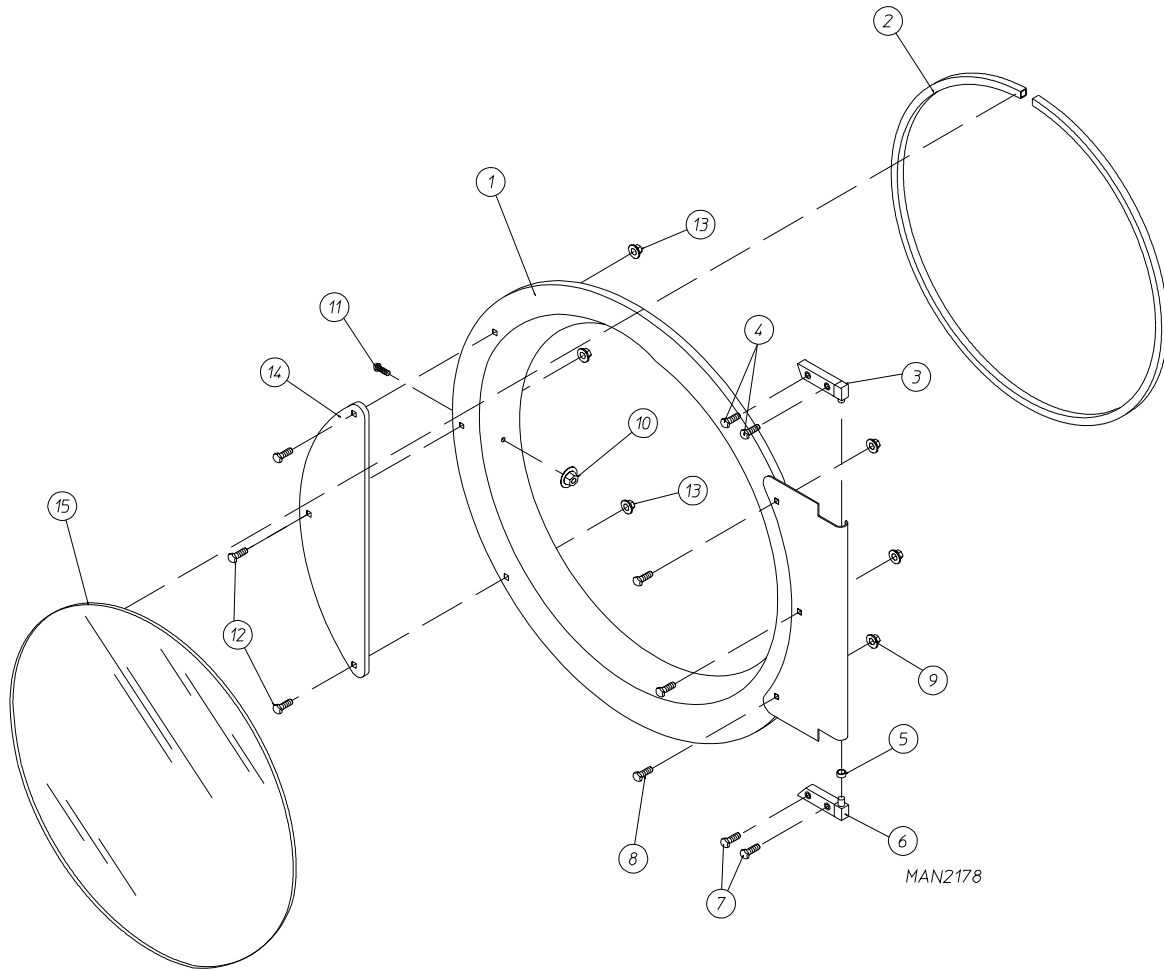
Slide Meter Case Assembly



| <u>Illus. No.</u> | <u>Part No.</u> | <u>Qty.</u> | <u>Description</u> |
|-------------------|-----------------|-------------|----------------------------------------------------------------------------|
| 1* | 160199 | 1 | Key ONLY for Slide Meter Lock |
| 2 | 160099 | 1 | Lock/Key/Cam and Hardware |
| 3 | 125908 | 1 | Slide Meter Accumulator - 24 VAC |
| 4 | 122643 | 9 | Mate-N-Lok Pin ONLY |
| 5 | 122642 | 1 | 9-Pin Mini-Universal Connector |
| 6 | 152014 | 4 | 1/4-20 Free Spin Wash Nut |
| 7 | 122631 | 2 | 6-Pin Connector (Mate-N-Lok) |
| 8 | 131917 | 1 | Push-To- Start Relay - 24 VAC |
| 9 | 883034 | 1 | White Slide Meter Case |
| | 883035 | 1 | Coral Blue Slide Meter Case |
| | 883036 | 1 | Ivory Slide Meter Case |
| 10 | 122603 | 1 | 9-Pin Connector (Mate-N-Lok) |
| 11 | 122701 | 21 | Socket Terminal ONLY |
| 12 | 883165 | 1 | Slide Meter Case ONLY with Door Less Lock |
| 13 | 154203 | 6 | 1/4" Drive Rivet |
| 14 | 801700 | 1 | Slide Meter Extension ONLY with Mirror (includes illus. nos. 14 and 15) |
| 15 | 315404 | 1 | Stainless Steel Mirror ONLY |
| 16 | ----- | 1 | Typical Slide Meter Coin Chute (not available from ADC) |
| 17 | 123005 | 1 | Red Indicator Light - 24 VAC |
| 18 | 122400 | 1 | Rocker Heat Selector Switch |
| 19 | ----- | 1 | Typical Slide Meter Coin Box (not available from ADC) |
| 20 | 801701 | 1 | Slide Meter Case Mounting Plate |
| 21 | 102502 | 1 | Control Door Support Rod |
| 22 | 102601 | 1 | Control Door Rod Retainer Clip |
| 23 | 102603 | 1 | Control Door Rod Catch |
| 24 | 883044 | 1 | Slide Meter Extension |
| 25 | 883038 | 1 | White Slide Meter Timer Door |
| | 883039 | 1 | Coral Blue Slide Meter Timer Door |
| | 883040 | 1 | Ivory Slide Meter Timer Door |

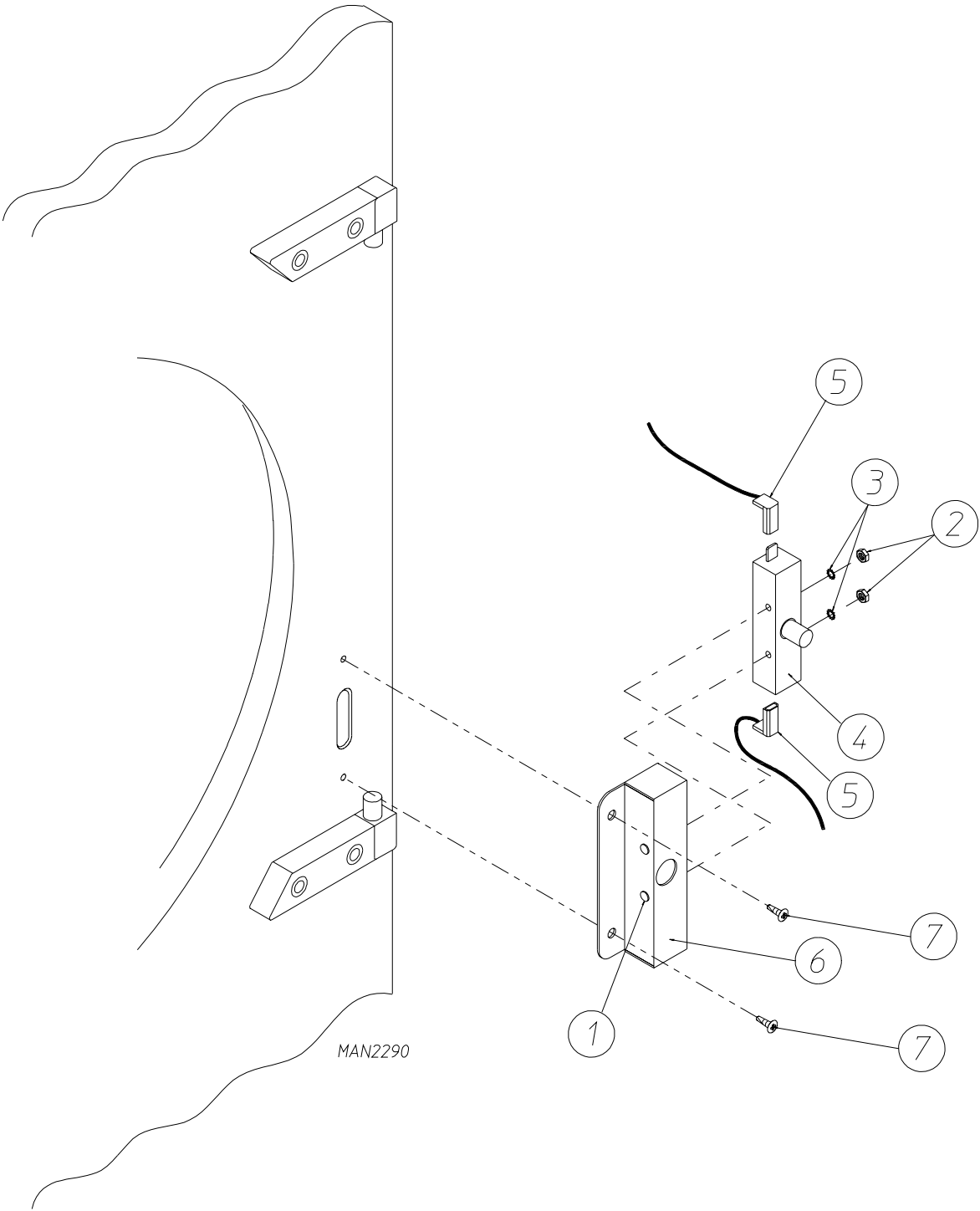
* Specify key number when ordering.

Main Door Assembly



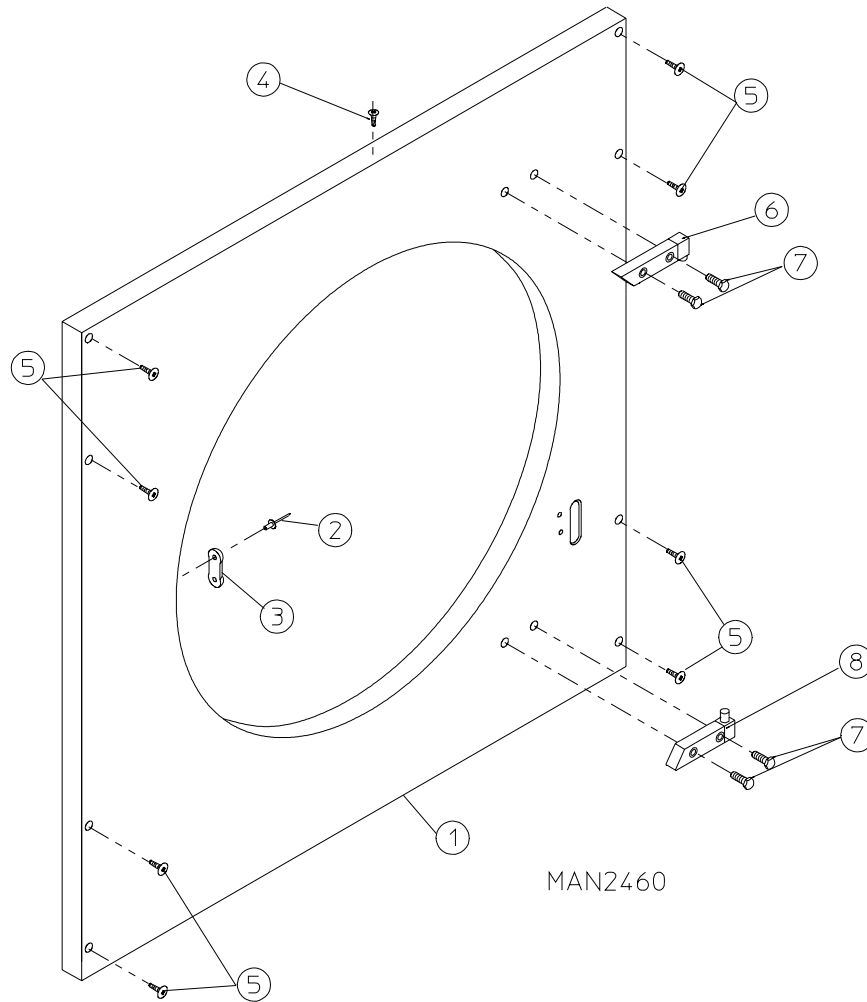
| <u>Illus. No.</u> | <u>Part No.</u> | <u>Qty.</u> | <u>Description</u> |
|-------------------|-----------------|-------------|------------------------------------------------------------------------------------|
| 1 | 881150 | 1 | Black Main Door Assembly Complete (includes illus. nos. 1, 2, and 8 through 15) |
| 2 | 102354 | 1 | Door Gasket |
| | 170731 | 1 | Black Glass Adhesive (10.3 oz. cartridge)...Not Illustrated |
| 3 | 881152 | 1 | Black Top Hinge Block Assembly (includes illus. nos. 3 and 4) |
| 4 | 150445 | 2 | 1/4-20 x 3/4" Black Cap Head Setscrew |
| 5 | 153031 | 1 | 1/4" Nylon Washer |
| 6 | 881151 | 1 | Black Bottom Hinge Block Assembly (includes illus. nos. 5 through 7) |
| 7 | 150445 | 2 | 1/4-20 x 3/4" Black Cap Head Setscrew |
| 8 | 150683 | 3 | 1/4-20 x 5/8" Black Carriage Bolt |
| 9 | 152014 | 3 | 1/4-20 Free Spin Wash Nut |
| 10 | 151010 | 1 | #10-32 Black Hex Acorn Nut |
| 11 | 150120 | 1 | Door Latch Screw |
| 12 | 150683 | 3 | 1/4-20 x 5/8" Black Carriage Bolt |
| 13 | 152014 | 3 | 1/4-20 Free Spin Wash Nut |
| 14 | 881210 | 1 | Black Main Door Handle ONLY |
| 15 | 102211 | 1 | 20-7/16" Door Glass |
| | 170731 | 1 | Black Glass Adhesive (10.3 oz. cartridge)...Not Illustrated |

Main Door Switch Assembly



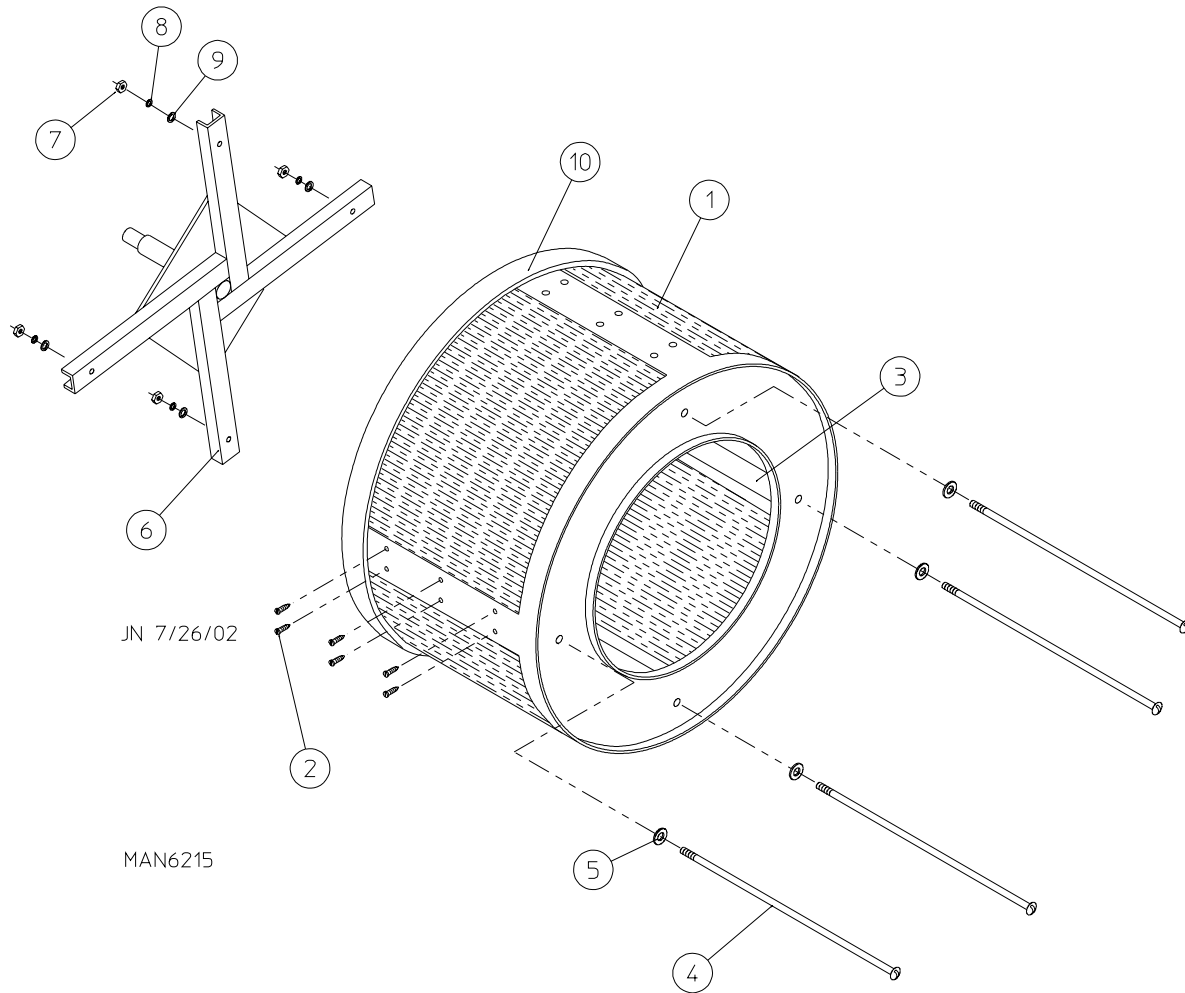
| <u>Illus. No.</u> | <u>Part No.</u> | <u>Qty.</u> | <u>Description</u> |
|-------------------|-----------------|-------------|-------------------------------------------|
| 1 | 150006 | 2 | #6-32 x 7/8" Phillips Pan Head |
| 2 | 152013 | 2 | #6-32 Hex Nut |
| 3 | 153010 | 2 | #6 Star Washer |
| 4 | 137005 | 1 | Single-Pole Door Switch (SDS) |
| 5 | 122636 | 2 | Flag Terminal |
| 6 | 881211 | 1 | Main Door Switch Housing |
| 7 | 150301 | 2 | #8-18 x 7/16" Phillips Pan Head TEK Screw |

Front Panel Assembly



| <u>Illus. No.</u> | <u>Part No.</u> | <u>Qty.</u> | <u>Description</u> |
|-------------------|-----------------|-------------|----------------------------------------------------------------------------|
| 1 | 883553 | 1 | White Front Panel Assembly (includes illus. nos. 1 through 3) |
| | 881287 | 1 | Stainless Steel Front Panel Assembly (includes illus. nos. 1 through 3) |
| | 883554 | 1 | Ivory Front Panel Assembly (includes illus. nos. 1 through 3) |
| | 883555 | 1 | Coral Blue Front Panel Assembly (includes illus. nos. 1 through 3) |
| 2 | 154215 | 2 | 5/32" x 1/4" Rivet |
| 3 | 881987 | 1 | Friction Door Latch Kit (includes illus. nos. 2 and 3) |
| 4 | 150300 | 1 | #10-16 x 1/2" Hex Washer TEK Screw |
| 5 | 150309 | 8 | #10-16 x 1/2" Phillips Hex Head TEK Crimptite Screw |
| 6 | 881152 | 1 | Black Top Hinge Block Assembly |
| | 881208 | 1 | Stainless Steel Top Hinge Block Assembly |
| 7 | 150445 | 4 | 1/4-20 x 7/8" Black Cap Head Setscrew |
| | 150443 | 4 | 1/4-20 x 7/8" Stainless Steel Cap Head Setscrew |
| 8 | 881151 | 1 | Black Bottom Hinge Block Assembly |
| | 881209 | 1 | Stainless Steel Bottom Hinge Assembly |

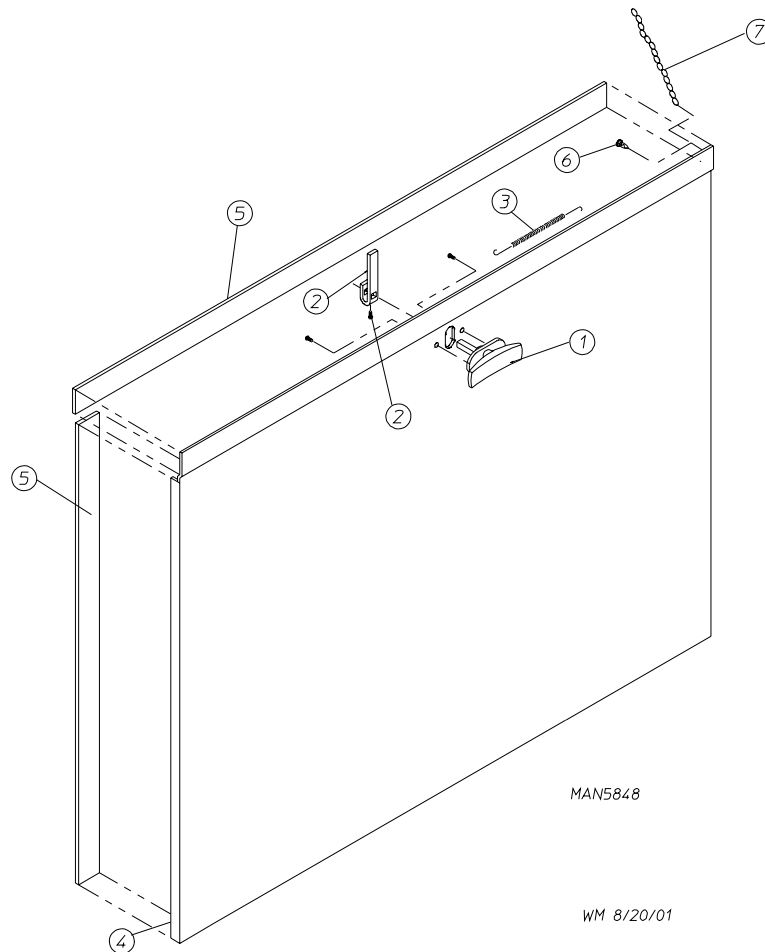
Basket (Tumbler)/Support Assembly



| <u>Illus. No.</u> | <u>Part No.</u> | <u>Qty.</u> | <u>Description</u> |
|-------------------|-----------------|-------------|----------------------------------------------------------------------------------------------|
| 1* | 800700 | 1 | Galvanized Basket (tumbler) ONLY (without felt collar) |
| | 800850 | 1 | Stainless Steel Basket (tumbler) ONLY (without felt collar) |
| | 800812 | 1 | Galvanized Basket (tumbler) and Support Assembly (includes illus. nos. 1 through 10) |
| | 800860 | 1 | Stainless Steel Basket (tumbler) and Support Assembly (includes illus. nos. 1 through 10) |
| 2 | 150313 | 24 | #10-16 x 1/2" TORX Plus BTN Type 1 |
| 3 | 301307 | 4 | Galvanized Basket (tumbler) Rib ONLY |
| | 301407 | 4 | Stainless Steel Basket (tumbler) Rib ONLY |
| 4 | 100900 | 4 | 5/16-18 x 17-1/2" Tie Rod |
| 5 | 153001 | 4 | 5/16" Flat Washer |
| 6 | 800610 | 1 | Basket (tumbler) Support ONLY |
| 7 | 152004 | 4 | 5/16-18 Hex Nut |
| 8 | 153002 | 4 | 5/16" Lock Washer |
| 9 | 153001 | 4 | 5/16" Flat Washer |
| 10 | 116002 | 1 | Felt Collar ONLY |
| | 401010 | 1 | #847 Adhesive for Felt Collar (5.0 oz. tube)...Not Illustrated |

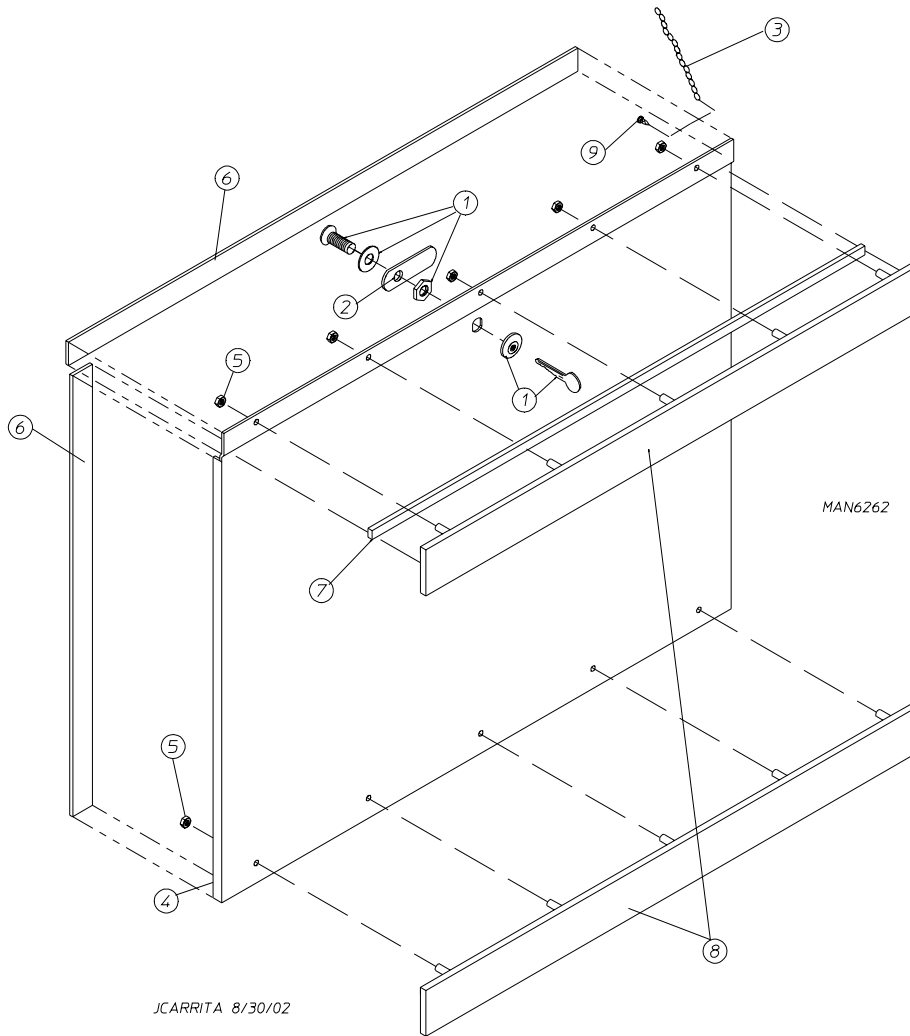
* Felt collar *is not included* and **must be** ordered separately.

OPL Drop Lint Door Assembly



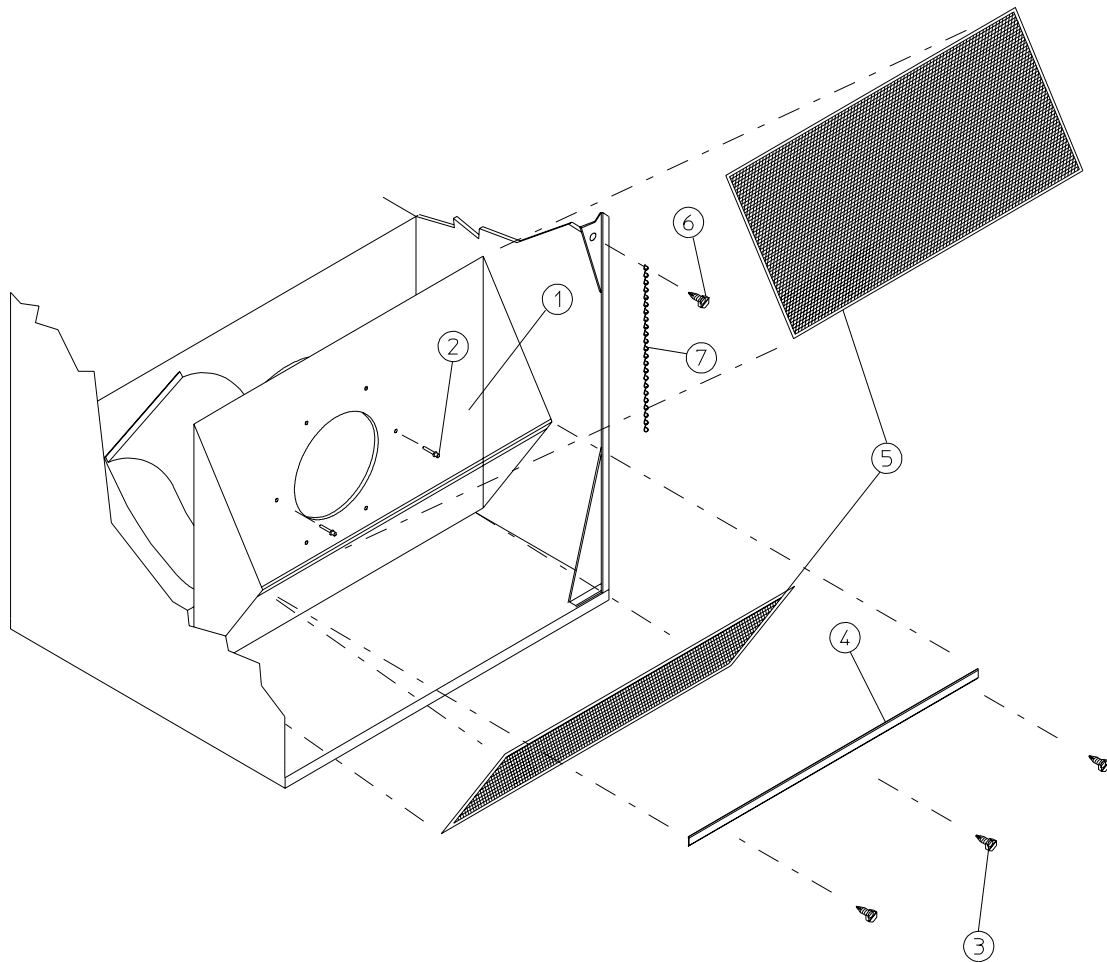
| <u>Illus. No.</u> | <u>Part No.</u> | <u>Qty.</u> | <u>Description</u> |
|-------------------|-----------------|-------------|--------------------------------------------------------------------------------------|
| 1 | 800150 | 1 | Knob Latch Kit Assembly (includes illus. nos. 1 and 2) |
| | 160003 | 1 | Dummy Lock ONLY (for non-coin models Only) |
| | 160104 | 1 | MK-100 Key ONLY (for dummy lock) |
| 2 | 160008 | 1 | Lock Cam for Dummy Lock |
| | 160009 | 1 | Knob Latch Adjustable Cam ONLY |
| | 150425 | 1 | #12-24 x 3/8" Round Head Machine Screw ONLY (screw for knob latch adjustable cam) |
| 3 | 157000 | 1 | Drop Lint Door Spring |
| 4 | 883564 | 1 | White Drop Lint Door Assembly without Trim (includes illus. nos. 4 and 5) |
| | 883565 | 1 | Ivory Drop Lint Door Assembly without Trim (includes illus. nos. 4 and 5) |
| | 883566 | 1 | Coral Blue Drop Lint Door Assembly without Trim (includes illus. nos. 4 and 5) |
| | 883141 | 1 | Stainless Steel Lint Door Assembly without Trim (includes illus. nos. 4 and 5) |
| 5 | 117604 | 7 | Neoprene Sponge Tape (sold by the foot) |
| 6 | 150419 | 2 | #6 x 1/2" Tamperproof TEK Screw |
| | 150418 | 1 | Tamperproof Screw Hand Driver...Not Illustrated |
| 7 | 108120 | 1 | Chain for Drop Lint Door (10-1/2" length) |

Coin Drop Lint Door Assembly



| <u>Illus. No.</u> | <u>Part No.</u> | <u>Qty.</u> | <u>Description</u> |
|-------------------|-----------------|-------------|-----------------------------------------------------------------------------------------------|
| 1 | 160001 | 1 | Lock Assembly with Key |
| | 160103 | 1 | Key ONLY |
| 2 | 160008 | 1 | Cam ONLY |
| 3 | 108120 | 1 | Chain for Drop Lint Door |
| 4 | 883421 | 1 | White Drop Lint Door Assembly with Black Trim (includes illus. nos. 4 through 8) |
| | 883423 | 1 | Ivory Drop Lint Door Assembly with Black Trim (includes illus. nos. 4 through 8) |
| | 883424 | 1 | Coral Blue Drop Lint Door Assembly with Black Trim (includes illus. nos. 4 through 8) |
| | 883422 | 1 | Stainless Steel Drop Lint Door Assembly with Black Trim (includes illus. nos. 4 through 8) |
| 5 | 152014 | 10 | 1/4-20 with 3/4" Free Spin Wash Nut |
| 6 | 117604 | 7 | Noise Suppression Tape (sold by the foot) |
| 7 | 117603 | 3 | 1/8" x 9/16" Sponge Tape (sold by the foot) |
| 8 | 883531 | 2 | Black Drop Lint Door Trim |
| 9 | 150419 | 2 | #6 x 1/2" Tamperproof TEK Screw |
| | 150418 | 1 | Tamperproof Screw Hand Driver...Not Illustrated |

Lint Trap Assembly



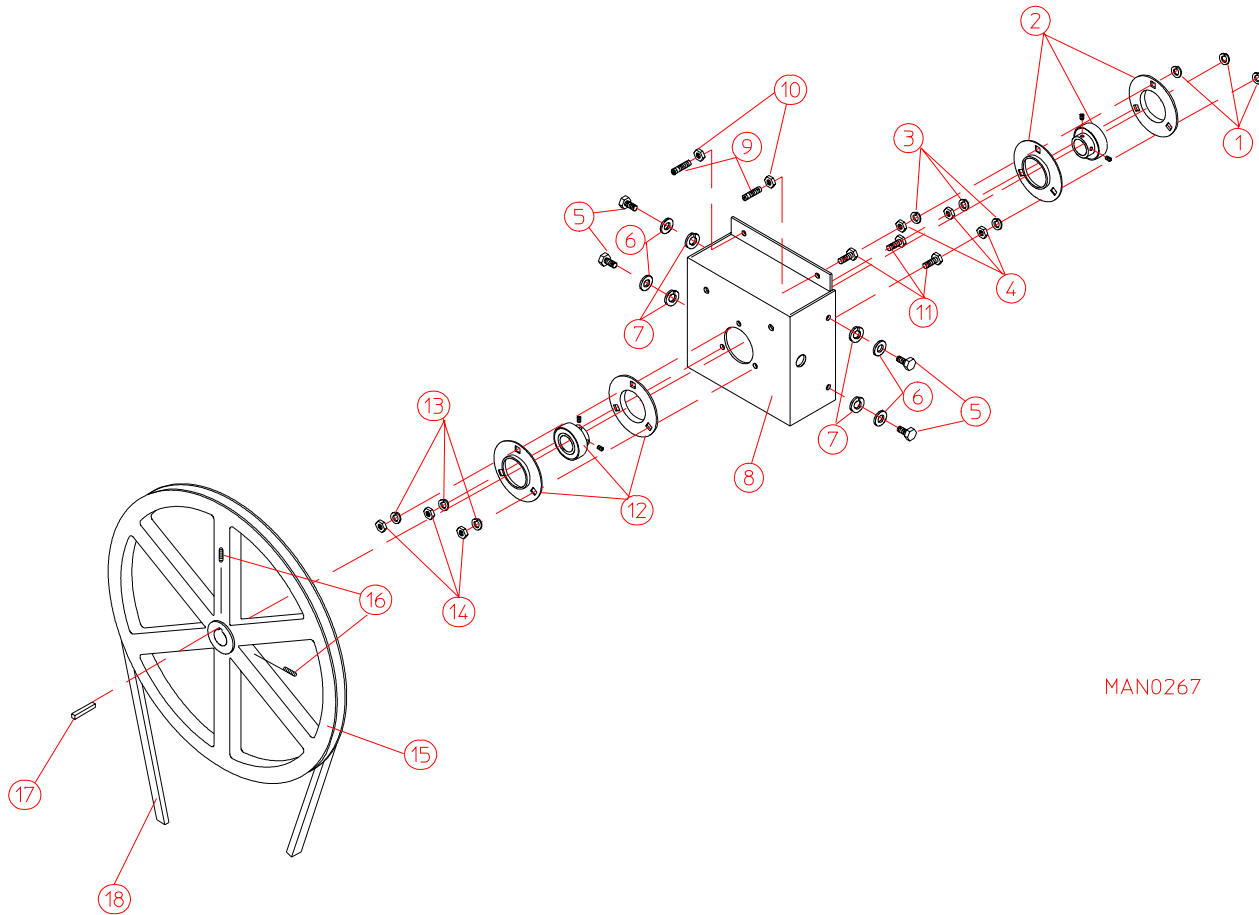
MAN0275

| <u>Illus. No.</u> | <u>Part No.</u> | <u>Qty.</u> | <u>Description</u> |
|-------------------|-----------------|-------------|--------------------------------------------------------------------------------|
| 1 | 800425* | 1 | Choked Lint Trap Assembly Complete (includes illus. nos. 1 and 3 through 5) |
| | 800426* | 1 | Choked Lint Trap ONLY |
| | 800400** | 1 | Lint Trap Assembly Complete (includes illus. nos. 1 and 3 through 5) |
| | 800403** | 1 | Lint Trap ONLY |
| 2 | 154200 | 6 | 5/32" Pop Rivet |
| 3 | 150300 | 3 | #10-16 x 1/2" Hex Washer TEK Screw |
| 4 | 304100 | 1 | Lint Screen Holder ONLY |
| 5 | 800500 | 2 | Lint Screen ONLY |
| 6 | 150419 | 2 | #6 x 1/2" Tamperproof TEK Screw |
| | 150418 | 1 | Tamperproof Screw Hand Driver...Not Illustrated |
| 7 | 108120 | 1 | Chain for Drop Lint Door |

* For gas models ONLY.

** For electric models and steam models ONLY.

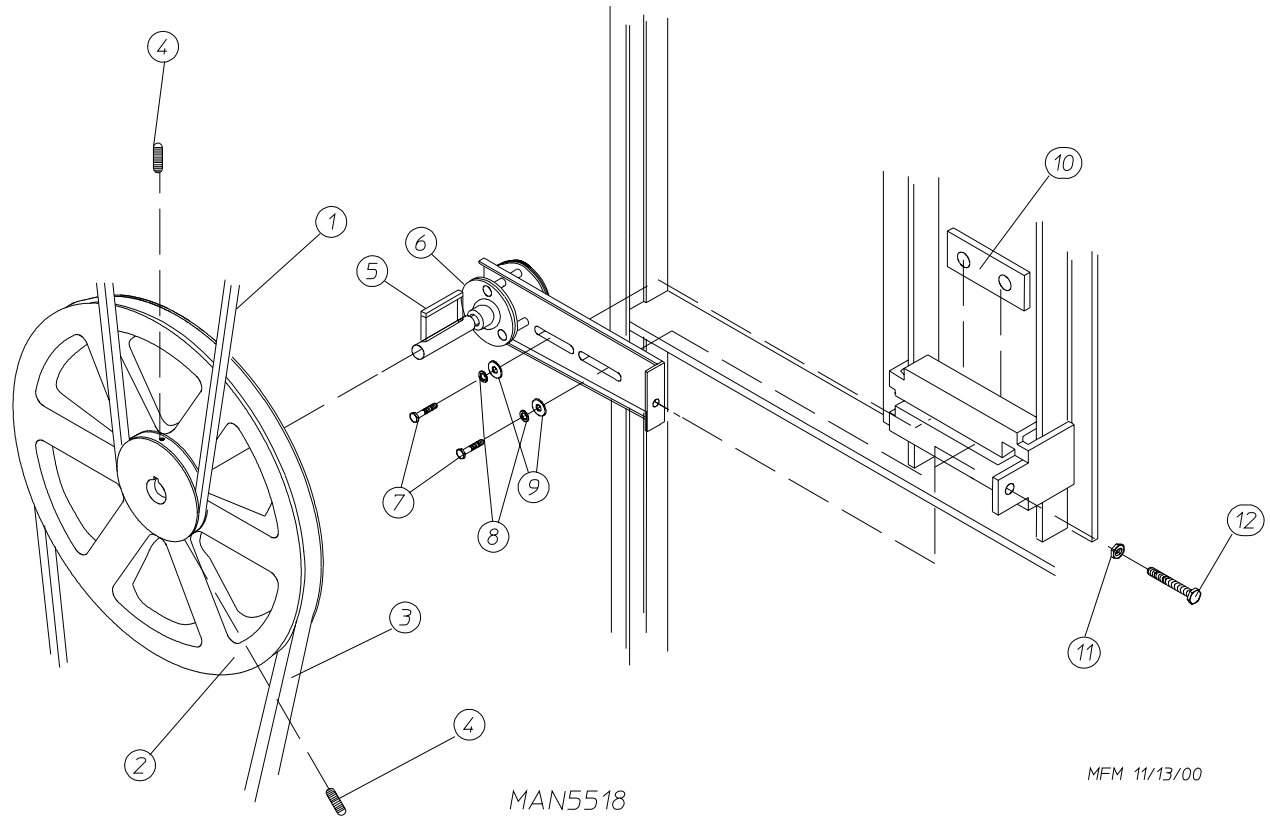
Basket (Tumbler) Bearing Assembly



MAN0267

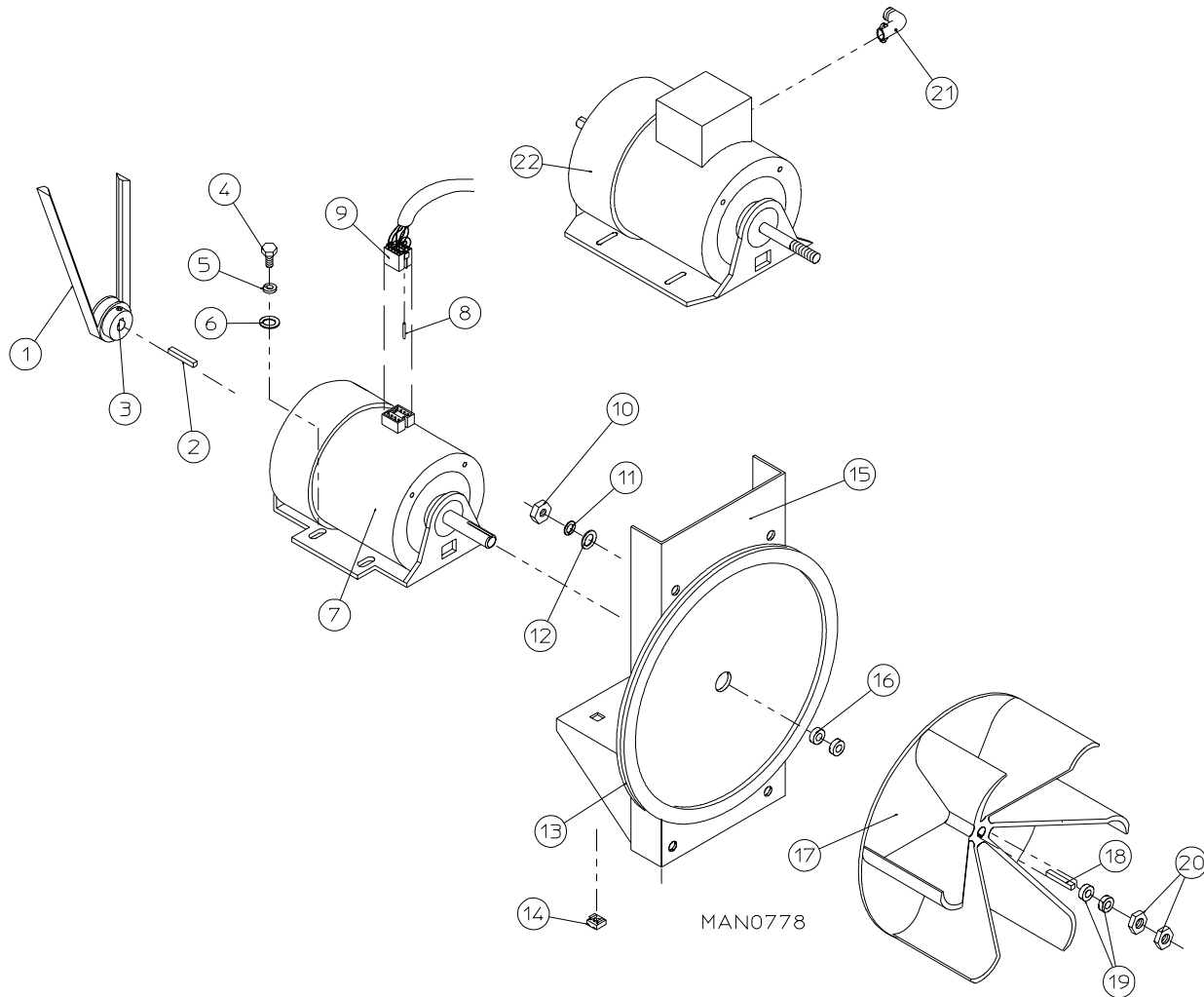
| <u>Illus. No.</u> | <u>Part No.</u> | <u>Qty.</u> | <u>Description</u> |
|-------------------|-----------------|-------------|-------------------------------------------------------------------------|
| 1 | 153002 | 3 | 5/16" Lock Washer |
| 2 | 880213 | 1 | 1-1/4" Flange Bearing ONLY |
| 3 | 153002 | 3 | 5/16" Lock Washer |
| 4 | 152004 | 3 | 5/16-18 Hex Nut |
| 5 | 150501 | 4 | 5/16-18 x 3/4" Hex Head Machine Bolt |
| 6 | 153002 | 4 | 5/16" Lock Washer |
| 7 | 153004 | 4 | 3/8" Flat Washer |
| 8 | 801100 | 1 | 1" Bearing Box Assembly Complete (includes illus. nos. 8 through 14) |
| | 801105 | 1 | Bearing Box ONLY |
| 9 | 150610 | 2 | 5/16-18 x 1-1/2" Allen Setscrew |
| 10 | 152004 | 2 | 5/16-18 Hex Nut |
| 11 | 150501 | 3 | 5/16-18 x 3/4" Hex Head Machine Bolt |
| 12 | 880201 | 1 | 1" Flange Bearing ONLY |
| 13 | 153002 | 3 | 5/16" Lock Washer |
| 14 | 152004 | 3 | 5/16-18 Hex Nut |
| 15 | 101100 | 1 | 18" Pulley ONLY |
| 16 | 154301 | 2 | 5/16-18 x 1" Setscrew |
| 17 | 100713 | 1 | 1/4" x 1/4" x 7/8" Key |
| 18 | 100108 | 1 | 5L-680 V-Belt (basket [tumbler] to idler) |

Idler Bearing Assembly



| <u>Illus. No.</u> | <u>Part No.</u> | <u>Qty.</u> | <u>Description</u> |
|-------------------|-----------------|-------------|------------------------------------------------------------------------|
| 1 | 100108 | 1 | 5L-680 V-Belt (idler to basket [tumbler]) |
| 2 | 101129 | 1 | 9" x 2-1/2" Compound Pulley |
| 3 | 100110 | 1 | 4L-500 V-Belt (idler to motor) |
| 4 | 154301 | 2 | 5/16-18 x 1" Allen Setscrew |
| 5 | 100705 | 1 | 3/16" x 3/16" x 1-3/8" Key |
| 6 | 882576 | 1 | Idler Bearing Assembly Complete (includes illus. nos. 5 through 12) |
| 7 | 150617 | 2 | 3/8-16 x 1" Hex Head Machine Bolt |
| 8 | 153005 | 2 | 3/8" Lock Washer |
| 9 | 153004 | 2 | 3/8" Flat Washer |
| 10 | 801009 | 1 | Idler Square Washer |
| 11 | 152004 | 1 | 5/16-18 Hex Nut |
| 12 | 150509 | 2 | 5/16-18 x 3" Hex Head Machine Bolt |

Non-Reversing Motor Mount Assembly

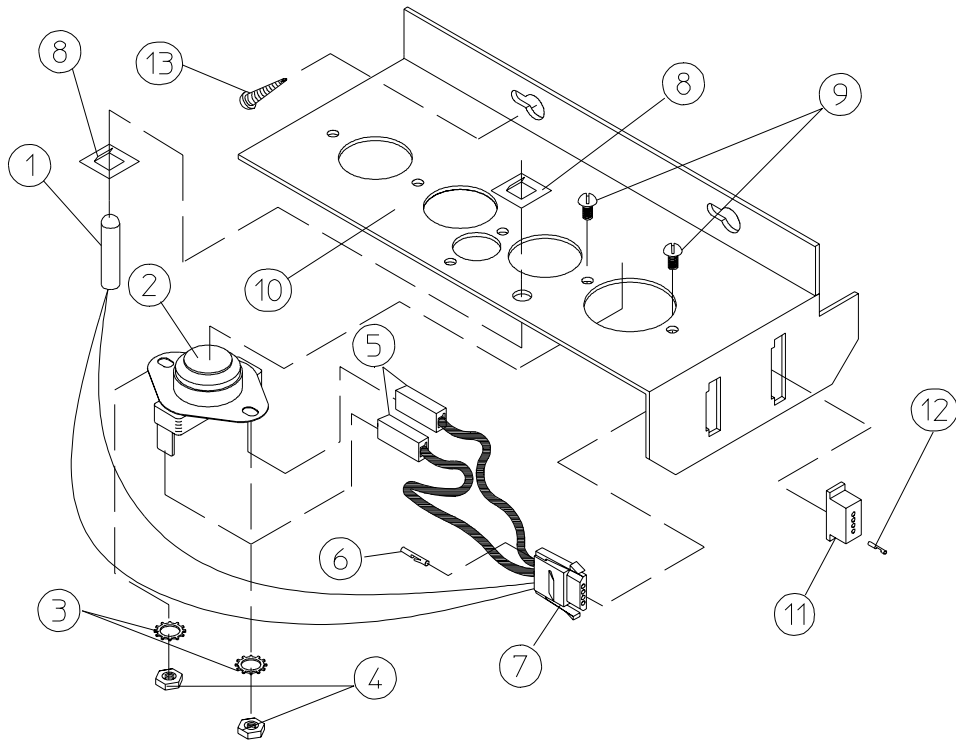


| <u>Illus. No.</u> | <u>Part No.</u> | <u>Qty.</u> | <u>Description</u> |
|-------------------|-----------------|-------------|----------------------------------------------------------------------------------------------------------------------------------------|
| 1 | 100110 | 1 | 4L-500 V-Belt (motor to idler) |
| 2 | 100701 | 1 | 3/16" x 3/16" x 1" Key (for use on 3 ϕ models Only) |
| 3 | 101104 | 1 | 1/2" x 2" Motor Pulley (for use on 1 ϕ - 60 Hz motors Only) |
| | 101132 | 1 | 5/8" x 2" Motor Pulley (for use on 3 ϕ - 60 Hz motors Only) |
| | 101133 | 1 | 5/8" x 2-1/4" Motor Pulley (for use on 100066 and 100007 - 50 Hz motors Only) |
| | 101131 | 1 | 1/2" x 2-1/4" Motor Pulley (for use on 181049 - 50 Hz motors Only) |
| 4 | 150501 | 4 | 5/16-18 x 3/4" Hex Head Machine Bolt |
| | 153002 | 4 | 5/16" Lock Washer |
| | 153001 | 4 | 5/16" Flat Washer |
| 7 | 181049 | 1 | 1/2 HP 100-230v 1 ϕ 50/60 Hz Plug-Type Motor |
| | 100066 | 1 | 1/2 HP 240v 1 ϕ 50 Hz Totally Enclosed, Fan-Cooled (T.E.F.C.) Plug-Type Motor (for 50 Hz models mfd. prior to August 22, 2002) |

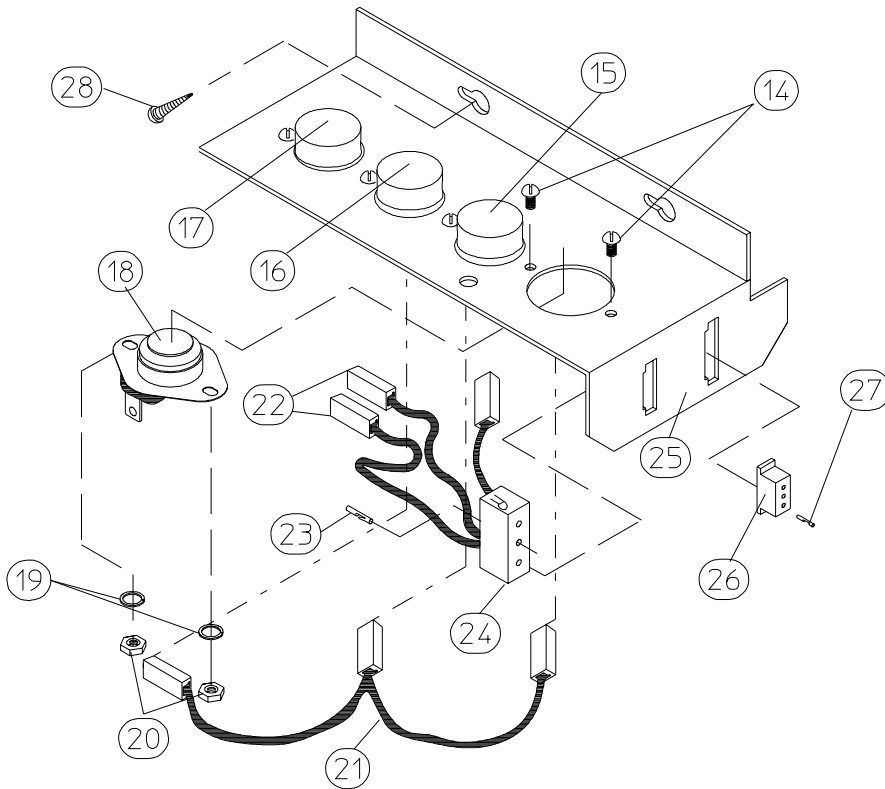
Non-Reversing Motor Mount Assembly (continued)

| <u>Illus. No.</u> | <u>Part No.</u> | <u>Qty.</u> | <u>Description</u> |
|-------------------|-----------------|-------------|-----------------------------------------------------------------------------------------------------------------------------------------|
| 8 | 122701 | 8 | Socket Terminal ONLY |
| | 122801 | 1 | Pin/Socket Extraction Tool...Not Illustrated |
| 9 | 137030 | 1 | 8-Pin Housing Connection |
| 10 | 152004 | 4 | 5/16-18 Hex Nut |
| 11 | 153002 | 4 | 5/16" Lock Washer |
| 12 | 153001 | 4 | 5/16" Flat Washer |
| 13 | 117604 | 4 | 1/8" x 3/8" Sponge Tape (sold by the foot) |
| 14 | 154000 | 4 | 5/16-18 Tinnerman Nut |
| 15 | 800908 | 1 | 1/2 HP Motor Mount ONLY (56Z frame) |
| | 803930* | 1 | 1/2 HP 115-230v 1 ϕ 50/60 Hz Motor Mount Assembly Complete with Plug Motor (includes illus. nos. 2 through 7 and 13 through 20) |
| | 880819 | 1 | 1/2 HP 240v 1 ϕ 50 Hz Motor Mount Assembly Complete with Plug Motor (includes illus. nos. 2 through 7 and 13 through 20) |
| | 803801* | 1 | 1/2 HP 208/230/380/460v 3 ϕ 60 Hz Motor Mount Assembly Complete (includes illus. nos. 2 through 6 and 13 through 22) |
| | 803800* | 1 | 1/2 HP 208/230/380/460v 3 ϕ 50 Hz Motor Mount Assembly Complete (includes illus. nos. 2 through 6 and 13 through 22) |
| 16 | 153050 | 2 | 1/2" Flat Washer |
| 17 | 100604 | 1 | 12-1/2" Impellor with 1/2" Bore |
| 18 | 100702 | 1 | 1/8" x 1/8" x 1-1/2" Key |
| 19 | 153050 | 2 | 1/2" Flat Washer |
| 20 | 152006 | 2 | 1/2-20 Left Hand Jam Nut |
| 21 | 120200 | 1 | 3/8" 90° Connector |
| 22 | 100007* | 1 | 1/2 HP 208/230/380/460v 3 ϕ 50/60 Hz Motor (56Z frame) |

* Specify voltage when ordering.



MICROPROCESSOR SENSOR BRACKET ASSEMBLY



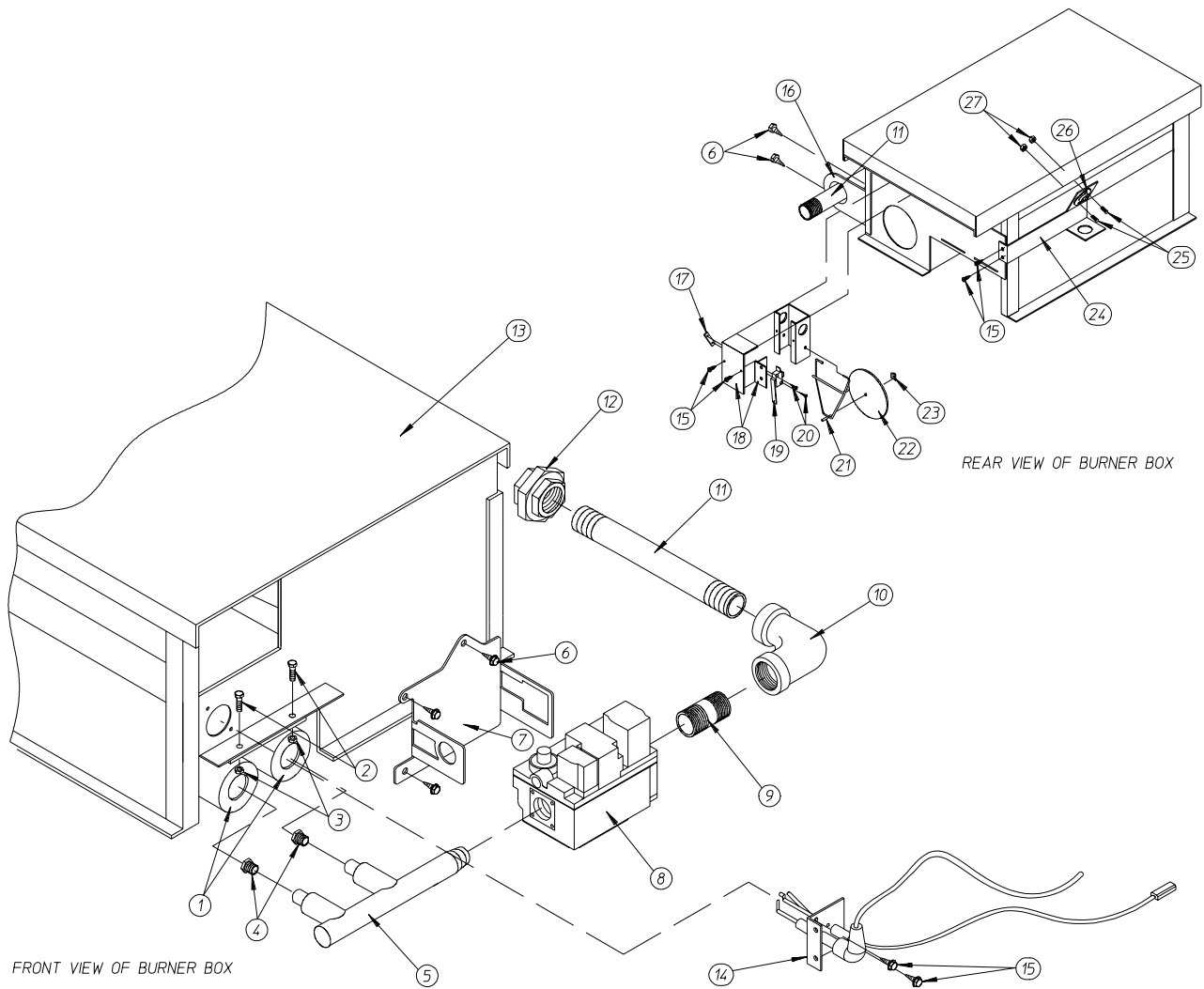
NON-COMPUTER SENSOR BRACKET ASSEMBLY

MAN0238

Sensor Bracket Assemblies

| <u>Illus. No.</u> | <u>Part No.</u> | <u>Qty.</u> | <u>Description</u> |
|-------------------|-----------------|-------------|-------------------------------------------------------------------------------------------------------------|
| 1 | 880251 | 1 | 1/4" Temperature Sensor Probe Assembly (includes illus. nos. 1 and 5 through 8) |
| 2 | 130103 | 1 | 225° Automatic Reset Thermostat |
| 3 | 153010 | 2 | #6 Star Washer |
| 4 | 152000 | 2 | #6-32 Hex Nut |
| 5 | 121028 | 2 | Insulated Terminal ONLY |
| 6 | 122701 | 4 | Socket Terminal ONLY |
| 7 | 122605 | 1 | 4-Pin Socket Connector ONLY |
| 8 | 154007 | 2 | 1/4" Push On Fastener |
| 9 | 150005 | 2 | #6-32 x 1/4" Round Head Machine Screw |
| 10 | 801425 | 1 | Microprocessor Sensor Bracket Assembly Complete (includes illus. nos. 1 through 10) |
| | 305007 | 1 | Universal Sensor Bracket ONLY |
| 11 | 122604 | 1 | 4-Pin Connector ONLY |
| 12 | 122700 | 4 | Pin Terminal ONLY |
| 13 | 150301 | 2 | #8-18 x 7/16" Phillips Pan Head TEK Screw |
| 14 | 150005 | 5 | #6-32 x 1/4" Round Head Machine Screw |
| 15 | 130111 | 1 | 130° Thermostat |
| 16 | 130100 | 1 | 150° Thermostat |
| 17 | 130103 | 1 | 225° Automatic Reset Thermostat |
| 18 | 130101 | 1 | 180° Thermostat |
| 19 | 153010 | 5 | #6 Star Washer |
| 20 | 152000 | 5 | #6-32 Hex Nut |
| 21 | 840065 | 1 | Sensor Jumper ONLY |
| 22 | 121028 | 4 | Insulated Terminal ONLY |
| 23 | 122701 | 4 | Socket Terminal ONLY |
| 24 | 122605 | 1 | 4-Pin Socket Connector ONLY |
| | 840062 | 1 | Sensor Bracket Harness Assembly (includes illus. nos. 22 through 24) |
| 25 | 801418 | 1 | Noncomputer Sensor Bracket Assembly Complete (includes thermostats) (includes illus. nos. 14 through 25) |
| | 305007 | 1 | Universal Sensor Bracket ONLY |
| 26 | 122604 | 1 | 4-Pin Connector ONLY |
| 27 | 122700 | 4 | Pin Terminal ONLY |
| | 122801 | 1 | Pin/Socket Extraction Tool...Not Illustrated |
| 28 | 150301 | 2 | #8-18 x 7/16" Phillips Pan Head TEK Screw |

Direct Spark Ignition (DSI) Burner Assembly



FRONT VIEW OF BURNER BOX

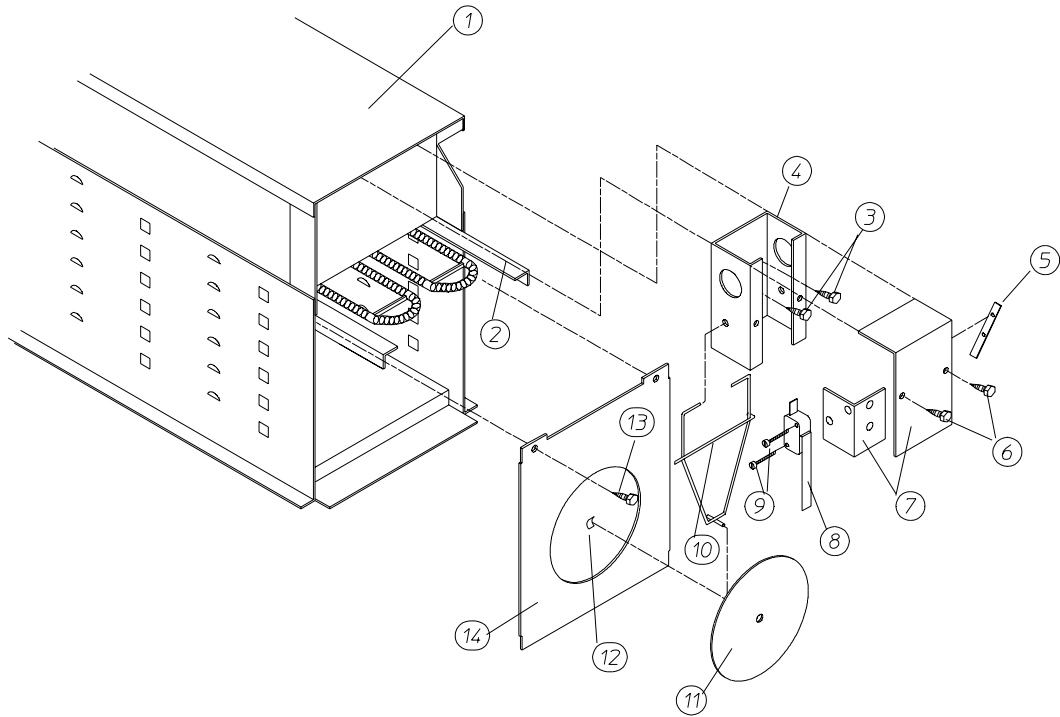
REAR VIEW OF BURNER BOX

WM 9/11/01

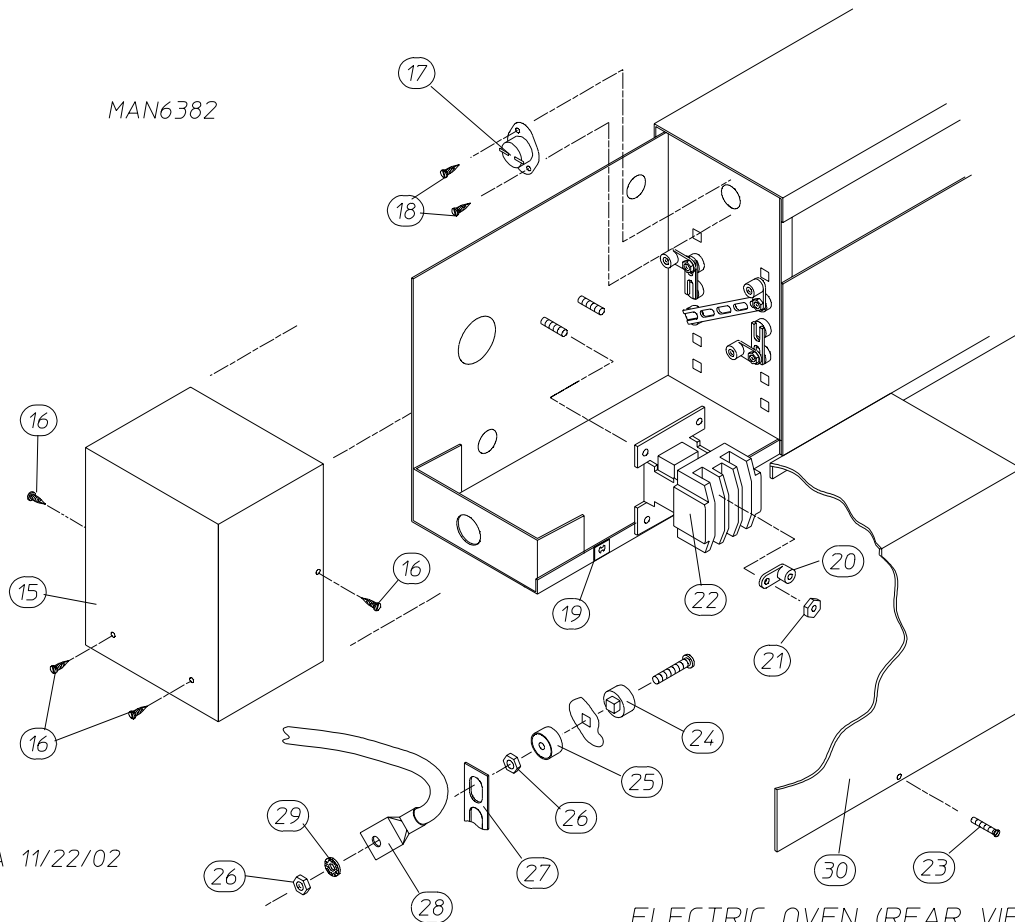
MAN5904

Direct Spark Ignition (DSI) Burner Assembly

| <u>Illus. No.</u> | <u>Part No.</u> | <u>Qty.</u> | <u>Description</u> |
|-------------------|-----------------|-------------|-----------------------------------------------------------------------------------------------------------------------|
| 1 | 141104 | 2 | Small Burner Tube |
| 2 | 150108 | 2 | #8-32 x 1/2" Pan Head Machine Screw |
| 3 | 151001 | 2 | #8-32 Pal Nut |
| 4 | 140811 | 2 | #41 Natural Gas Burner Orifice |
| | 140848 | 2 | #54 Liquid Propane (L.P.) Burner Orifice |
| 5 | 141230 | 1 | 1/2" 2-Port Manifold |
| 6 | 150309 | 5 | #10-16 x 1/2" Hex Head TEK Crimptite Screw |
| 7 | 318716 | 1 | Gas Valve Bracket |
| 8 | 128927 | 1 | 1/2" 24 VAC Redundant Gas Valve (natural gas) |
| | 880960 | 1 | 1/2" 24 VAC Liquid Propane (L.P.) Gas Valve |
| 9 | 142707 | 1 | 1/2" x 1-1/2" B.I. Nipple |
| 10 | 142500 | 1 | 1/2 x 90° Elbow |
| 11 | 142754 | 2 | 1/2" x 8" B.I. Nipple |
| 12 | 142600 | 1 | 1/2" Black Union |
| 13 | 883145 | 1 | Natural Gas Burner Box Assembly Complete Less Orifice (includes illus. nos.1 through 3 and 5 through 27) |
| | 883146 | 1 | Liquid Propane (L.P.) Burner Box Assembly Complete Less Orifice (includes illus. nos.1 through 3 and 5 through 27) |
| | 850850 | 1 | Burner Box ONLY |
| | 874051 | 1 | Liquid Propane (L.P.) Conversion Kit |
| 14 | 809308 | 1 | Ignitor Flame-Probe Assembly with Leads |
| | 880330 | 1 | High Voltage (HV) Wire and Connector Assembly |
| 15 | 150300 | 6 | #10-16 x 1/2" Hex Washer TEK Screw |
| 16 | 318700 | 1 | Pipe Bracket |
| 17 | 154004 | 1 | Twin Speed Nut |
| 18 | 802799 | 1 | Sail Switch Box Cover and Bracket ONLY |
| 19 | 122200 | 1 | Sail Switch |
| 20 | 150303 | 2 | #4 x 3/4" Pan Head Machine Screw |
| 21 | 105500 | 1 | Sail Switch Actuator Rod |
| 22 | 319202 | 1 | Sail Switch Damper (flat) |
| 23 | 154002 | 1 | 1/8" Push On Fastener |
| | 802800 | 1 | Sail Switch Box with Cover |
| | 802801 | 1 | Sail Switch Assembly Complete (includes illus. nos. 15 and 17 through 23) |
| 24 | 319704 | 1 | Hi-Limit Mounting Bracket |
| 25 | 150001 | 2 | #6-32 x 1/2" Phillips Round Head Machine Screw |
| 26 | 130201 | 1 | 330° Manual Reset Hi-Limit |
| 27 | 151000 | 2 | #6-32 Pal Nut |



ELECTRIC OVEN (FRONT VIEW)



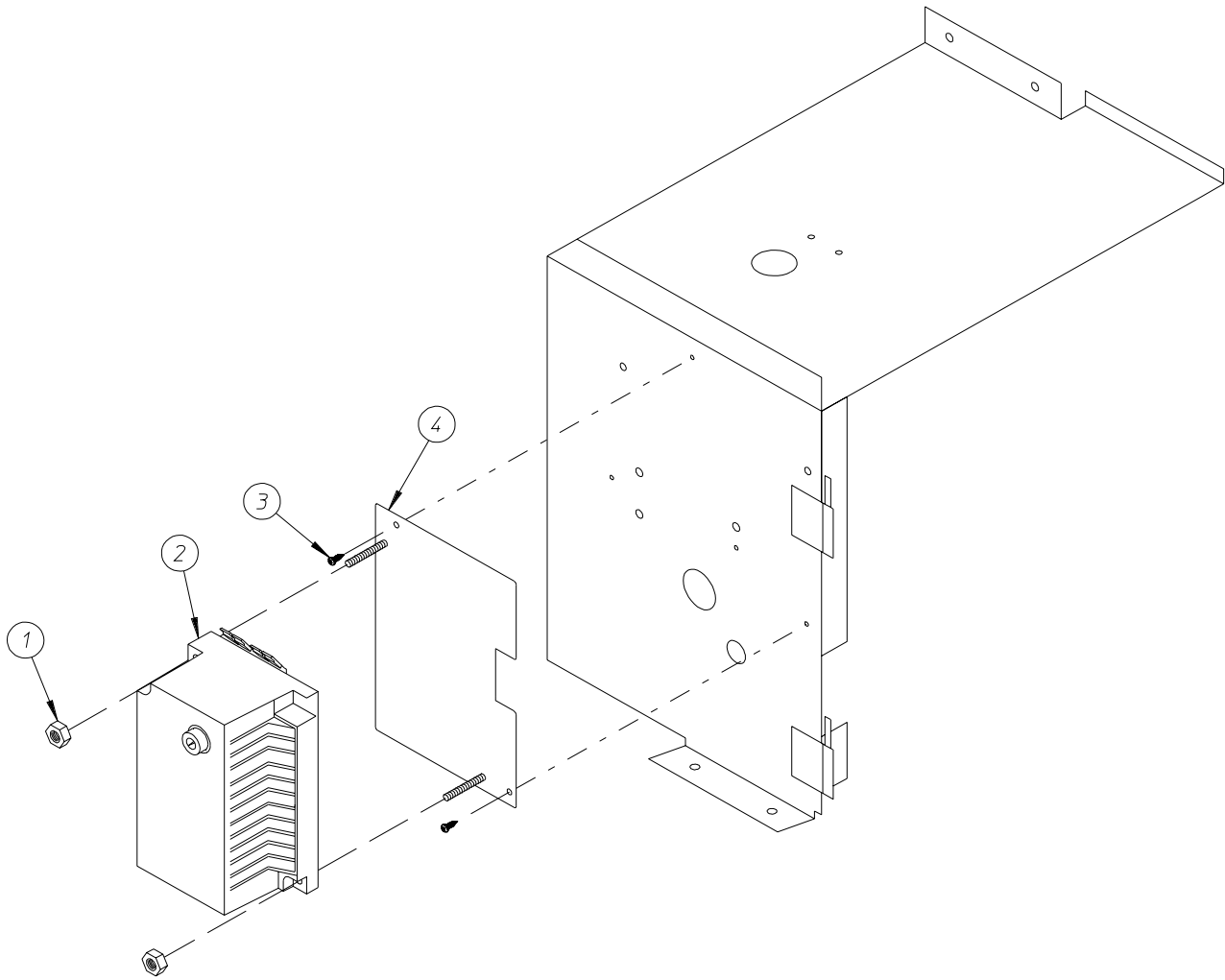
ELECTRIC OVEN (REAR VIEW)

Electric Oven Assembly

| <u>Illus. No.</u> | <u>Part No.</u> | <u>Qty.</u> | <u>Description</u> |
|-------------------|-----------------|-------------|--------------------------------------------------------------------------|
| 1 | 803003 | 1 | Small Electric Oven Box ONLY |
| | -----* | 1 | Electric Oven Assembly Complete |
| 2 | -----* | - | Electric Element |
| 3 | 150300 | 2 | #10-16 x 1/2" Hex Washer TEK Screw |
| 4 | 802800 | 1 | Sail Switch Box with Bracket and Cover ONLY |
| | 802801 | 1 | Sail Switch Box Assembly Complete (includes illus. nos. 4 through 12) |
| 5 | 154004 | 1 | Twin Speed Nut |
| 6 | 150309 | 2 | #10-16 x 1/2" Hex Head Crimptite Screw |
| 7 | 802799 | 1 | Sail Switch Box Cover ONLY |
| 8 | 122200 | 1 | Sail Switch ONLY |
| 9 | 150303 | 2 | #4 x 3/4" Pan Head "A" Machine Screw |
| 10 | 105500 | 1 | Sail Switch Actuator Rod |
| 11 | 319202 | 1 | Sail Switch Damper (flat) |
| 12 | 154002 | 1 | 1/8" Push On Fastener |
| 13 | 150300 | 2 | #10-16 x 1/2" Hex Washer TEK Screw |
| 14 | 803100 | 1 | Electric Oven Front Cover ONLY |
| 15 | 320611 | 1 | Large Relay Box Cover ONLY |
| 16 | 150207 | 2 | #10-24 x 1/2" Phillips Round Head Machine Screw |
| 17 | 130400 | 1 | 290° Hi-Limit |
| 18 | 150300 | 2 | #10-16 x 1/2" Hex Washer TEK Screw |
| 19 | 154001 | 2 | #10-24 Speed Nut |
| 20 | 121010 | 1 | L-70 Ground Lug |
| 21 | 152014 | 3 | 1/4-20 Free Spin Wash Nut |
| 22 | -----* | 1 | Oven Relay |
| 23 | 150207 | 2 | #10-24 x 1/2" Phillips Pan Machine Screw |
| 24 | 120081 | - | Internal Ceramic Insulator (2 per element) |
| 25 | 120080 | - | External Ceramic Insulator (2 per element) |
| 26 | 152008 | - | #10-32 Hex Nut (4 per element) |
| 27 | 121011* | - | Bus Bar |
| 28 | -----* | - | Oven Wiring |
| 29 | 153009 | - | #10 Star Washer (2 per element) |
| 30 | 320607 | 1 | Small Electric Oven Right Side Cover ONLY |

* Refer to **Electric Oven Component Application Chart** on **page 42**.

DSI Control Module Assembly

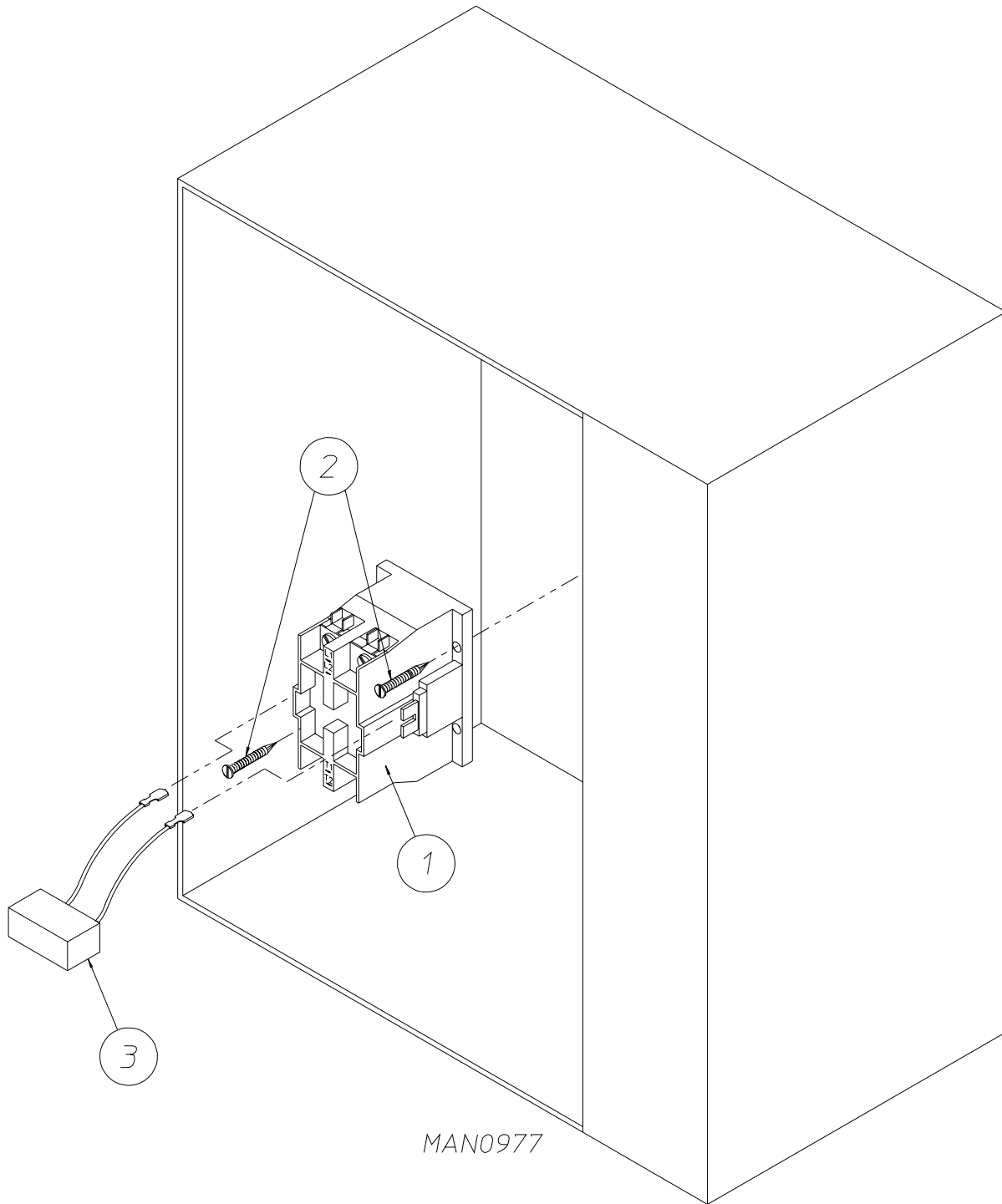


WM 9/14/01

MAN5910

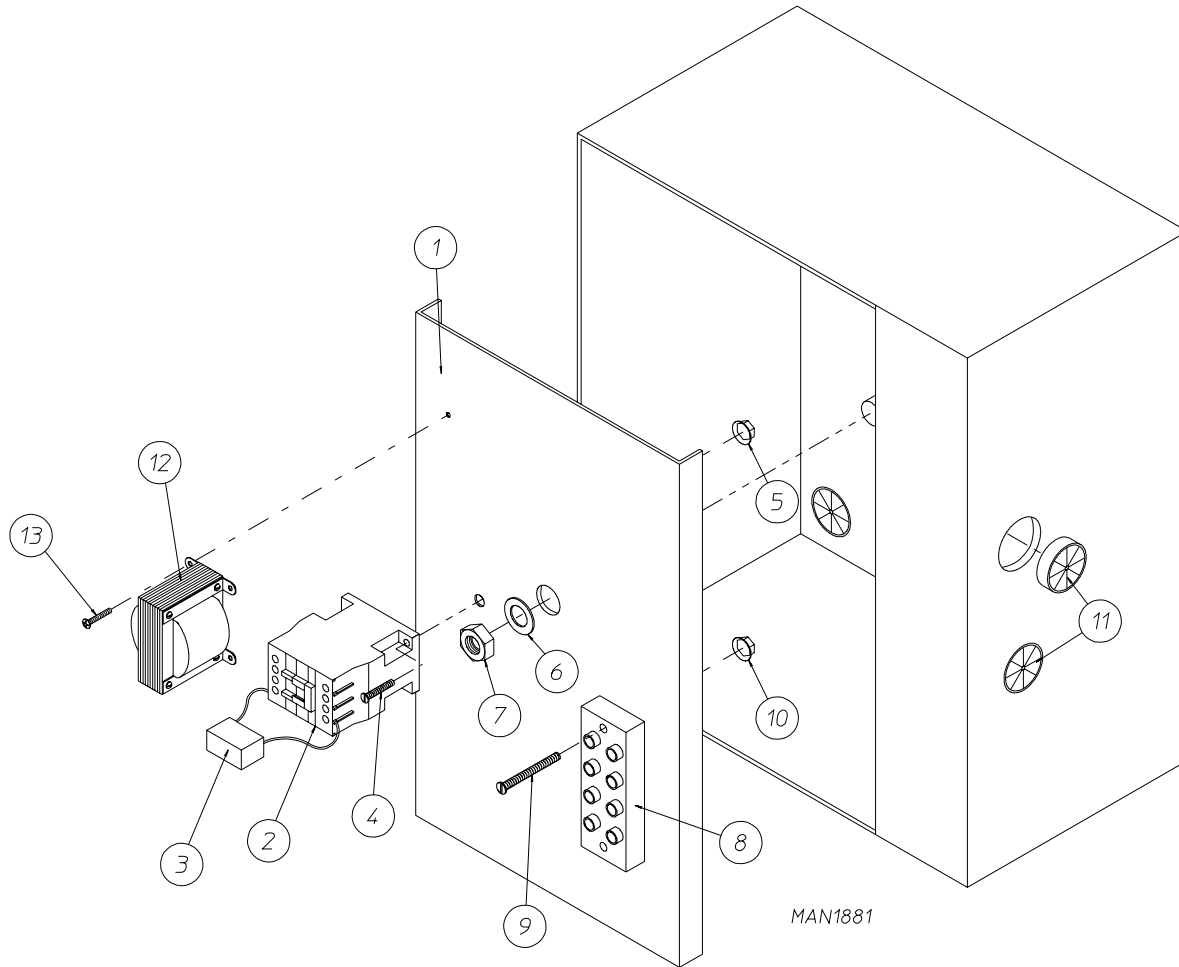
| <u>Illus. No.</u> | <u>Part No.</u> | <u>Qty.</u> | <u>Description</u> |
|-------------------|-----------------|-------------|-------------------------------------------------------|
| 1 | 152013 | 2 | #6-32 Hex Nut |
| 2 | 801048 | 1 | ADC Direct Spark Ignition (DSI) Control Module |
| 3 | 150301 | 2 | #8-18 x 7/16" Phillips Head TEK Screw |
| 4 | 801711 | 1 | Direct Spark Ignition (DSI) Module Mounting Plate |

Single-Phase (1 ϕ) Motor, Electric Relay Panel Assembly



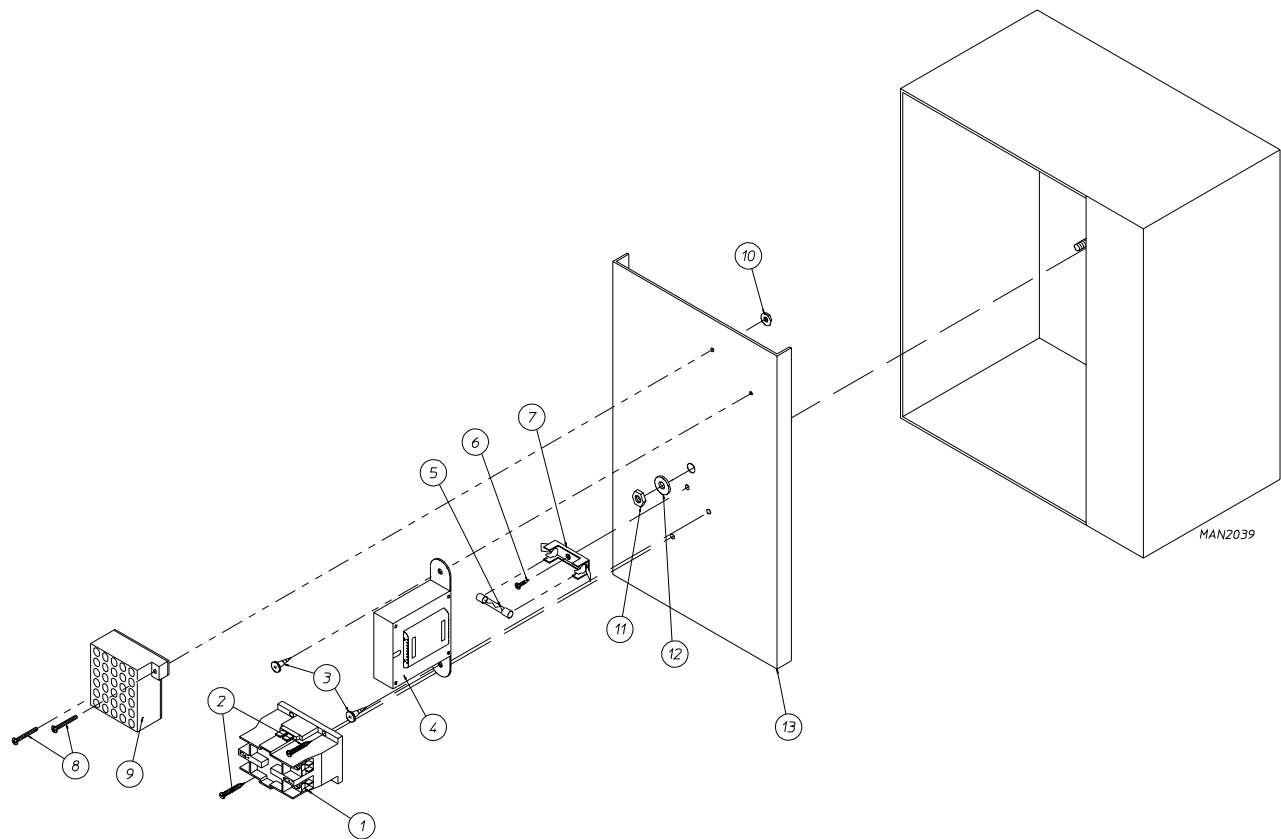
| <u>Illus. No.</u> | <u>Part No.</u> | <u>Qty.</u> | <u>Description</u> |
|-------------------|-----------------|-------------|----------------------------------------------------------------|
| 1 | 132475 | 1 | 2-Pole Contactor - 24 VAC |
| 2 | 150299 | 2 | #10 x 1" Hex Head TEK Screw |
| 3 | 824828 | 1 | RC Network with Connectors (for microprocessor models Only) |
| - | 322809 | 1 | Back Electrical Box Cover...Not Illustrated |
| - | 150301 | 4 | #8-18 x 7/16" Phillips Head TEK Screw...Not Illustrated |

3-Phase (3 ϕ) Motor, Electric Relay Panel Assembly



| <u>Illus. No.</u> | <u>Part No.</u> | <u>Qty.</u> | <u>Description</u> |
|-------------------|-----------------|-------------|--------------------------------------------------------------------------------------------------------------------------------------------------------------------------------------|
| 1 | 322812 | 1 | Back Electrical Box Component Mounting Plate |
| 2 | 132447 | 1 | Impellor Contactor (208/230/240v, 50/60 Hz) 24 VAC |
| 3 | 137015 | 1 | RC Filter (for microprocessor models Only) |
| 4 | 150103 | 2 | #8-32 x 3/4" Phillips Round Head Machine Screw |
| 5 | 151001 | 2 | #8-32 Pal Nut |
| 6 | 153002 | 1 | 5/16" Lock Washer |
| 7 | 152004 | 1 | 5/16-18 Hex Nut |
| 8 | 120701 | 1 | 4-Position Terminal Block |
| 9 | 150008 | 2 | #6-32 x 1-1/4" Slotted Round Head Machine Screw |
| 10 | 151000 | 2 | #6-32 Pal Nut |
| 11 | 121300 | 3 | Open/Closed Bushing |
| 12 | ----- | 1 | Step-Down Transformer (refer to Transformer Usage Listing for Gas/Steam Dryers on page 40) (refer to Transformer Usage Listing for Electric Dryers on page 41) |
| 13 | 150300 | 2 | #10-16 x 1/2" Hex Washer TEK Screw |
| -- | 322809 | 1 | Back Electrical Box Cover...Not Illustrated |
| -- | 150301 | 4 | #8-18 x 7/16" Phillips Round Head TEK Screw...Not Illustrated |

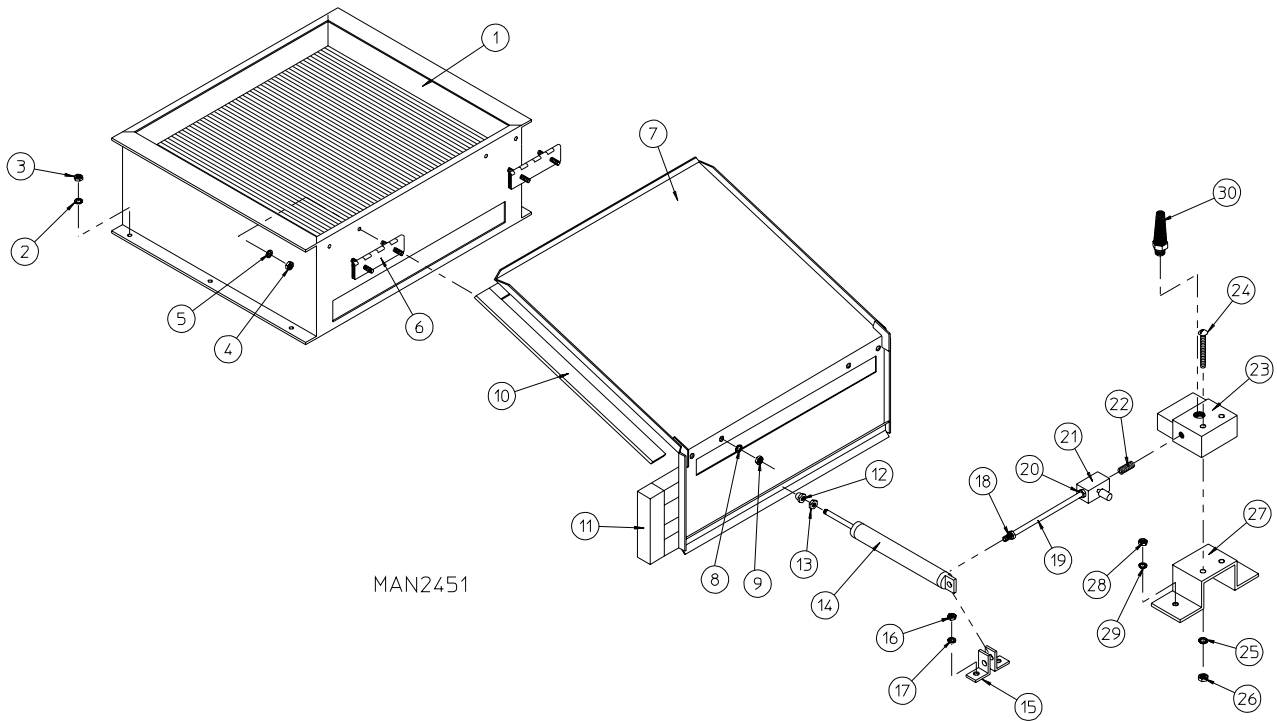
Slide Meter Control Box Assembly



| Illus. No. | Part No. | Qty. | Description |
|------------|----------|------|-----------------------------------------------------------------------------------------------------------------------------------------------------------------------------------|
| 1 | 132475 | 1 | 2-Pole Contactor - 24 VAC |
| 2 | 150299 | 2 | #10 x 1" Hex Head Screw |
| 3 | 150300 | 2 | #10-16 x 1/2" Hex Head Washer TEK Screw |
| 4 | ----- | - | 24 VAC Transformer (refer to Transformer Usage Listing for Gas/Steam Dryers on page 40) (refer to Transformer Usage Listing for Electric Dryers on page 41) |
| 5 | 136057 | * | 1/2-Amp (Slo-Blo) Fuse ONLY |
| 6 | 150301 | * | #8-18 x 7/16" Phillips Pan Head TEK Screw |
| 7 | 136008 | * | Fuse Block/Strip ONLY |
| 8 | 150002 | 2 | #6-32 x 1" Round Head Machine Screw |
| 9 | 120715 | 1 | 30-Position Terminal Block ONLY |
| 10 | 151000 | 2 | #6-32 Pal Nut |
| 11 | 153002 | 1 | 5/16-18 Lock Washer |
| 12 | 152004 | 1 | 5/16-18 Hex Nut |
| 13 | 305520 | 1 | Rear Contactor Plate ONLY |
| -- | 322809 | 1 | Back Electrical Box Cover...Not Illustrated |
| -- | 150301 | 4 | #8-18 x 7/16" Phillips Pan Head TEK Screw...Not Illustrated |

* As required.

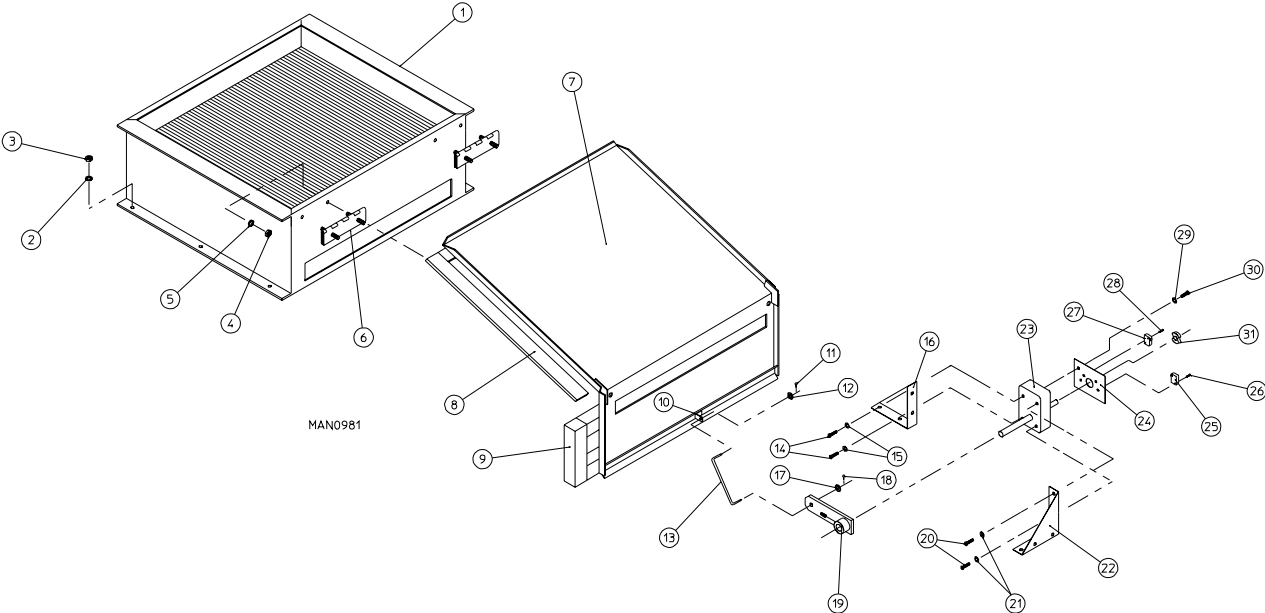
Steam Coil/Air-Operated Steam Damper Assembly



Steam Coil/Air-Operated Steam Damper Assembly

| <u>Illus. No.</u> | <u>Part No.</u> | <u>Qty.</u> | <u>Description</u> |
|-------------------|-----------------|-------------|---------------------------------------------------------------|
| 1 | 165013 | 1 | Steam Coil Assembly |
| 2 | 153002 | 6 | 5/16" Lock Washer |
| 3 | 152004 | 6 | 5/16-18 Hex Nut |
| 4 | 152002 | 4 | 1/4-20 Hex Nut |
| 5 | 153007 | 4 | 1/4" Lock Washer |
| 6 | 820321 | 2 | Steam Damper Hinge Assembly |
| 7 | 880834 | 1 | Steam Damper Assembly (includes illus. nos. 7, 10, and 11) |
| 8 | 153007 | 4 | 1/4" Lock Washer |
| 9 | 152002 | 4 | 1/4-20 Hex Nut |
| 10 | 115995 | 48 | Steam Damper Gasket (sold by the inch) |
| 11 | 102350 | 1 | Steam Damper Foam (68-1/2" length) |
| 12 | 151006 | 1 | 5/16-24 Stainless Steel Acorn Nut |
| 13 | 152051 | 1 | 5/16-24 Right Hand Jam Nut |
| 14 | 100495 | 1 | 1-1/16" Diameter x 3" Stroke Piston |
| 15 | 323365 | 2 | Left and Right Piston Support |
| 16 | 152002 | 2 | 1/4-20 Hex Nut |
| 17 | 153007 | 2 | 1/4" Lock Washer |
| 18 | 100472 | 1 | 1/4" Poly x 1/8" M.P.T. Connector |
| 19 | 143110 | 1 | 1/4" Poly-Flo Tubing |
| 20 | 100472 | 1 | 1/4" Poly x 1/8" M.P.T. Connector |
| 21 | 100496 | 1 | 1/8" Needle Valve |
| 22 | 143238 | 1 | 1/8" Brass Close Nipple |
| 23 | 100498 | 1 | 3-Way Micro Valve - 24 VAC |
| 24 | 150002 | 2 | #6-32 x 1" Machine Bolt |
| 25 | 153010 | 2 | #6 Star Washer |
| 26 | 152000 | 2 | #6-32 Hex Nut |
| 27 | 330987 | 1 | Micro Valve Support |
| 28 | 152002 | 2 | 1/4-20 Hex Nut |
| 29 | 153007 | 2 | 1/4" Lock Washer |
| 30 | 100520 | 1 | 1/8" N.P.T. Silencer (muffler) #N-25 |

Steam Coil/Mechanical Steam Damper Assembly

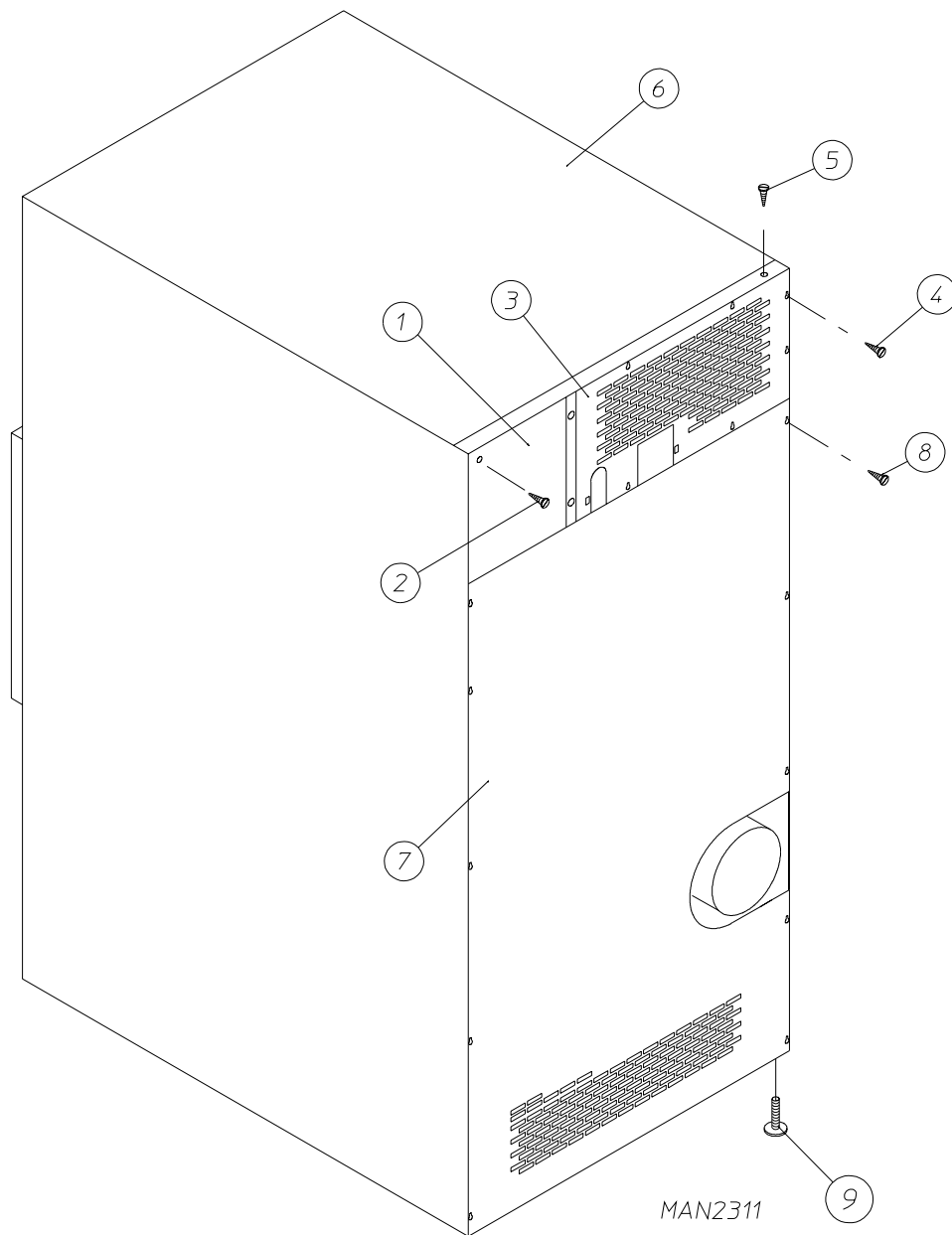


Steam Coil/Mechanical Steam Damper Assembly

| <u>Illus. No.</u> | <u>Part No.</u> | <u>Qty.</u> | <u>Description</u> |
|-------------------|-----------------|-------------|---------------------------------------------------------------|
| 1 | 165013 | 1 | Steam Coil Assembly ONLY |
| 2 | 153002 | 6 | 5/16" Lock Washer |
| 3 | 152004 | 6 | 5/16-18 Hex Nut |
| 4 | 152002 | 4 | 1/4-20 Hex Nut |
| 5 | 153007 | 4 | 1/4" Lock Washer |
| 6 | 820321 | 2 | Steam Damper Hinge Assembly |
| 7 | 880835 | 1 | Steam Damper Assembly (includes illus. nos. 7, 10, and 11) |
| 8 | 115995 | 48 | Steam Damper Gasket (sold by the inch) |
| 9 | 102350 | 1 | Steam Damper Foam (68-1/2" - length) |
| 10 | 309300 | 1 | Rod Bracket |
| 11 | 154300 | 1 | 1/2" x 3/32" Cotter Pin |
| 12 | 153022 | 1 | #10 Flat Washer |
| 13 | 104052 | 1 | Mechanical Steam Damper Actuator Rod |
| 14 | 150110 | 2 | #8-32 x 1/4" Phillips Head Machine Screw |
| 15 | 153012 | 2 | #8 Star Washer |
| 16 | 312315 | 1 | Mechanical Steam Damper Motor Mount |
| 17 | 153022 | 1 | #10 Flat Washer |
| 18 | 154300 | 1 | 1/2" x 3/32" Cotter Pin |
| 19 | 850268 | 1 | Mechanical Steam Damper Arm |
| 20 | 150110 | 2 | #8-32 x 1/4" Phillips Head Machine Screw |
| 21 | 153012 | 2 | #8 Star Washer |
| 22 | 312315 | 1 | Mechanical Steam Damper Motor Mount |
| 23 | 104054 | 1 | Mechanical Steam Damper Motor |
| 24 | 100511 | 1 | Mechanical Steam Damper Switch Plate |
| 25 | 122120 | 1 | Mechanical Steam Damper Switch |
| 26 | 150026 | 2 | #4-40 x 5/8" Phillips Pan Head Machine Screw |
| 27 | 122120 | 1 | Mechanical Steam Damper Switch |
| 28 | 150026 | 2 | #4-40 x 5/8" Phillips Pan Head Machine Screw |
| 29 | 153012 | 2 | #8 Star Washer |
| 30 | 150102 | 2 | #8-32 x 3/8" Pan Head Machine Screw |
| 31 | -----* | 1 | Mechanical Steam Damper Motor Cam |

* The mechanical steam damper motor cam is part of the mechanical steam damper motor.

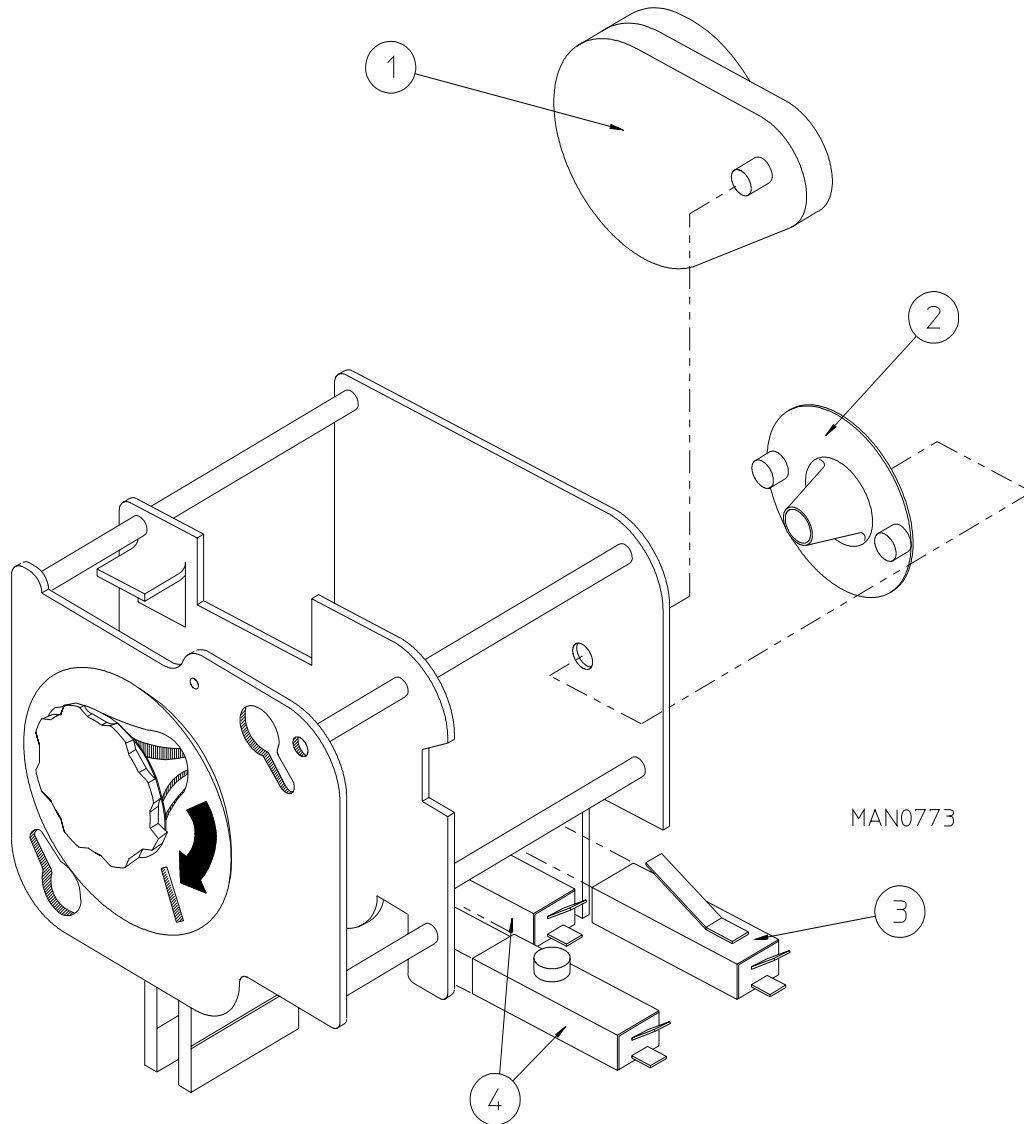
Outer Top/Back Guard Assembly



| <u>Illus. No.</u> | <u>Part No.</u> | <u>Qty.</u> | <u>Description</u> |
|-------------------|-----------------|-------------|-------------------------------------------|
| 1 | 322809 | 1 | Back Electrical Box Cover |
| 2 | 150301 | 4 | #8-18 x 7/16" Phillips Pan Head TEK Screw |
| 3* | 330076 | 1 | Top Back Guard |
| 4 | 150301 | 7 | #8-18 x 7/16" Phillips Pan Head TEK Screw |
| 5 | 150301 | 10 | #8-18 x 7/16" Phillips Pan Head TEK Screw |
| 6* | 312532 | 1 | Outer Top |
| 7 | 330086 | 1 | "Plain" Bottom Back Guard |
| 8 | 150301 | 13 | #8-18 x 7/16" Phillips Pan Head TEK Screw |
| 9 | 103500 | 4 | Leveling Leg |

* There is no top back guard or outer top on steam models.

Coin Meter Replacement Parts



| <u>Illus. No.</u> | <u>Part No.</u> | <u>Qty.</u> | <u>Description</u> |
|-------------------|-----------------|-------------|-----------------------------------|
| 1 | 125541 | 1 | 1/60 RPM 24 VAC/60 Hz Meter Motor |
| | 125540 | 1 | 1/30 RPM 24 VAC/50 Hz Meter Motor |
| 2 | 125500 | 1 | 2-Point Cam |
| | 125501 | 1 | 3-Point Cam |
| | 125502 | 1 | 4-Point Cam |
| | 125503 | 1 | 5-Point Cam |
| | 125504 | 1 | 6-Point Cam |
| | 125506 | 1 | 8-Point Cam |
| | 125507 | 1 | 9-Point Cam |
| | 125508 | 1 | 10-Point Cam |
| | 125510 | 1 | 12-Point Cam |
| | 3 | 125515 | 1 |
| 4 | 125516 | 2 | Meter Switch "A" or "C" |

Transformer Usage Listing for Gas/Steam Dryers

| HEAT | VOLTAGE | WIRE SERVICE | STEP DOWN TRANSFORMER PART. NO. | CONTROL VOLTAGE PART NO. |
|------------------|---------|--------------|---------------------------------|--------------------------|
| GAS/STEAM | 208-240 | 3 or 4 | ----- | 141403 |
| | 380 | 3 | 132059 | 141403 |
| | 380 | 4 | 132059 | 141403 |
| | 416 | 3 | 132062 | 141403 |
| | 416 | 4 | 132062 | 141403 |
| | 460/480 | 3 | 132053 | 141403 |
| | 460/480 | 4 | 132053 | 141403 |
| | 575 | 3 | 132050 | 141403 |

Transformer Usage Listing for Electric Dryers

| KW | VOLTAGE | PHASE | WIRE SERVICE | STEP DOWN TRANSFORMER PART NO. | CONTROL VOLTAGE PART NO. |
|-----------|----------------|--------------|---------------------|---------------------------------------|---------------------------------|
| 18 | 208 | 3ø | 3 | ----- | 132070 |
| 18 | 208 | 1ø | 2 | ----- | 132063 |
| 18 | 240 | 3ø | 3 | ----- | 141403 |
| 18 | 416 | 3ø | 4 | ----- | 132082 |
| 18 | 460/480 | 3ø | 3 | 132053 | 141403 |
| 15 | 208 | 3ø | 3 or 4 | ----- | 141403 |
| 15 | 208 | 1ø | 2 | ----- | 132063 |
| 15 | 380 | 3ø | 4 | ----- | 132082 |
| 15 | 400 | 3ø | 4 | ----- | 132082 |
| 12 | 208 | 3ø | 3 | ----- | 141403 |
| 12 | 240 | 3ø | 3 | ----- | 141403 |
| 12 | 240 | 1ø | 2 | ----- | 132070 |
| 12 | 380 | 3ø | 4 | ----- | 132082 |
| 11 | 400 | 3ø | 4 | ----- | 132082 |

Electric Oven Component Application Chart

| KW | VOLTAGE | PHASE | WIRE SERVICE | OVEN ASSEMBLY | ELEMENT | | | OVEN WIRE | | | TERMINAL LUG | | BUS BAR P/N: 121011 | OVEN RELAY | |
|----|---------|-------|--------------|---------------|---------|----|----------|-----------|------|----------|--------------|----------|---------------------|------------|----------|
| | | | | | QTY | KW | PART NO. | QTY | SIZE | PART NO. | QTY | PART NO. | | CAT. NO. | PART NO. |
| 18 | 460/480 | 3ø | 3 or 4 | 883597 | 6 | 3 | 120007 | 1 | #8 | 882559 | 1 | 121010 | 2 | DPA33 | 131352 |
| 18 | 416 | 3ø | 4 | 826389 | 6 | 3 | 120007 | 1 | #8 | 882558 | 1 | 121010 | 1 | DPA33 | 131352 |
| 18 | 240 | 3ø | 3 | 883542 | 6 | 3 | 120007 | 1 | #8 | 882558 | 1 | 121010 | 2 | DPA43 | 131357 |
| 18 | 208 | 3ø | 3 or 4 | 824914 | 6 | 3 | 120006 | 1 | #6 | 882556 | 1 | 121010 | 2 | DPA53 | 131359 |
| 18 | 208 | 1ø | 2 | 883546 | 6 | 3 | 120006 | 1 | #2 | 883384 | 1 | 121010 | 2 | DPA93 | 131358 |
| 15 | 380 | 3ø | 4 | 826389 | 6 | 3 | 120007 | 1 | #8 | 882558 | 1 | 121010 | 1 | DPA33 | 131352 |
| 15 | 208 | 1ø | 2 | 883547 | 5 | 3 | 120006 | 1 | #4 | 883385 | 1 | 121010 | 1 | DPA73 | 131376 |
| 12 | 240 | 3ø | 3 | 883543 | 3 | 4 | 120009 | 1 | #8 | 882558 | 1 | 121010 | 2 | DPA33 | 131352 |
| 12 | 240 | 1ø | 2 | 883545 | 4 | 3 | 120007 | 1 | #6 | 883548 | 1 | 121010 | 1 | DPA53 | 131359 |
| 12 | 208 | 3ø | 3 or 4 | 883544 | 3 | 4 | 120008 | 1 | #8 | 882558 | 1 | 121010 | 1 | DPA33 | 131352 |
| 11 | 400 | 3ø | 4 | 826401 | 6 | 2 | 120004 | 1 | #8 | 882558 | 1 | 121010 | 1 | DPA33 | 131352 |

Additional Parts Available

| <u>Part No.</u> | <u>Description</u> |
|-----------------|----------------------------------------------------|
| 112280 | “Lint Screen” Label |
| 112533 | “Phase 5 Coin Program Location Summary” Label |
| 112534 | “Phase 5 OPL Program Location Summary” Label |
| 114001 | “Caution-Exhausted/Lint Screen” Label |
| 114006 | “Warning-Fire Hazards” Label |
| 114533 | “120V Electric Service” Label |
| 120100 | 3/8” Straight (BX) Connector |
| 120200 | 3/8” x 90° (BX) Connector |
| 120300 | 3/8” x 45° (BX) Connector |
| 120400 | 3/8” Red Jacket (BX) Insulator |
| 120500 | 3/8” Jiffy Clip (BX retainer clip) |
| 120600 | 3/8” Flexible Steel Electrical Conduit |
| 120707 | Terminal Strip (2-position) |
| 120708 | Terminal Strip (3-position) |
| 120800 | 1/4” In-Line Connector |
| 120902 | #74B Wire Nut |
| 120903 | Crimp-On Wire Nut |
| 121499 | 5-1/2” Harness Tie |
| 121500 | 8” Harness Tie |
| 121503 | Harness Tie Mounting Clip |
| 122804 | Manometer (hydro gauge) for Measuring Gas Pressure |
| 404502 | White Brush-In-Cap Bottle Touch-Up Paint |
| 404515 | Coral Blue Brush-In-Cap Bottle Touch-Up Paint |
| 404516 | Ivory Brush-In-Cap Bottle Touch-Up Paint |

ADC451101 2 - 02/24/05-0

