



AD-15 Parts Manual 24 VAC Phase 7

American Dryer Corporation
88 Currant Road
Fall River, MA 02720-4781
Telephone: (508) 678-9000 / Fax: (508) 678-9447
E-mail: techsupport@amdry.com
www.amdry.com

ADC Part No. 450436

Retain This Manual In A Safe Place For Future Reference

American Dryer Corporation products embody advanced concepts in engineering, design, and safety. If this product is properly maintained, it will provide many years of safe, efficient, and trouble free operation.

ONLY qualified technicians should service this equipment.

OBSERVE ALL SAFETY PRECAUTIONS displayed on the equipment or specified in the installation manual included with the dryer.

The following “**FOR YOUR SAFETY**” caution **must be** posted near the dryer in a prominent location.

FOR YOUR SAFETY

Do not store or use gasoline or other flammable vapors and liquids in the vicinity of this or any other appliance.

POUR VOTRE SÉCURITÉ

Ne pas entreposer ni utiliser d'essence ni d'autres vapeurs ou liquides inflammables à proximité de cet appareil ou de tout autre appareil.

We have tried to make this manual as complete as possible and hope you will find it useful. **ADC** reserves the right to make changes from time to time, without notice or obligation, in prices, specifications, colors, and material, and to change or discontinue models.

Important

For your convenience, log the following information:

DATE OF PURCHASE _____ **MODEL NO.** AD-15 _____

RESELLER'S NAME _____

Serial Number(s) _____

Replacement parts can be obtained from your reseller or the **ADC** factory. When ordering replacement parts from the factory, you can FAX your order to **ADC** at (508) 678-9447 or telephone your order directly to the **ADC** Parts Department at (508) 678-9000. Please specify the dryer **model number** and **serial number** in addition to the **description** and **part number**, so that your order is processed accurately and promptly.

The illustrations on the following pages may not depict your particular dryer exactly. The illustrations are a composite of the various dryer models. Be sure to check the descriptions of the parts thoroughly before ordering.

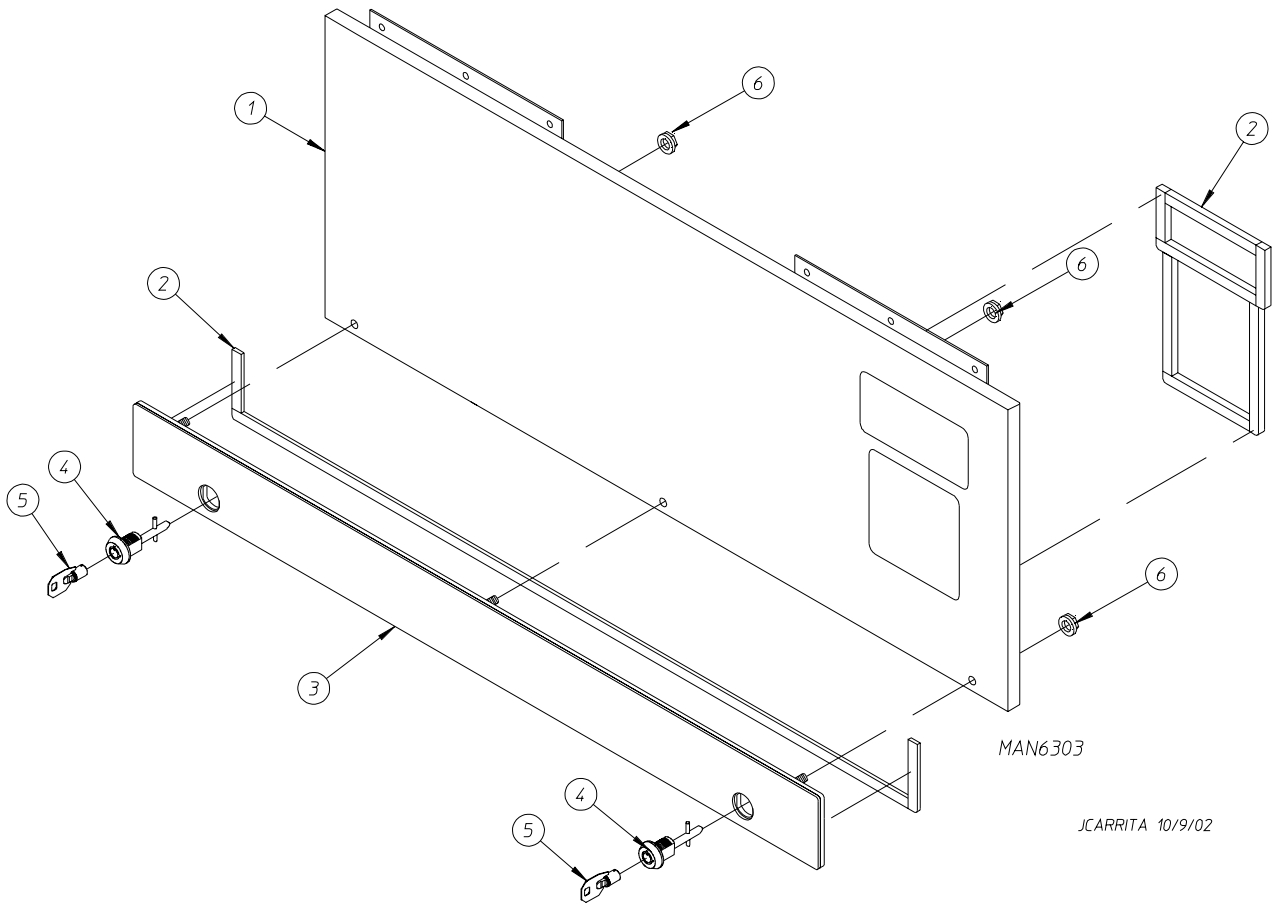
“IMPORTANT NOTE TO PURCHASER”

Information **must be** obtained from your local gas supplier on the instructions to be followed if the user smells gas. These instructions **must be** posted in a prominent location near the dryer.

Table of Contents

Coin Control Door Assembly	4
Phase 7 Coin Microprocessor Control Panel Assembly	5
Phase 7 Coin Microprocessor Control Box Assembly	6
Microprocessor Coin Vault Assembly	7
Phase 7 Non-Coin Microprocessor Control Panel Assembly	8
Front Panel Assembly	9
Main Door “Steel” Assembly	10
Main Door Switch Assembly	11
Tumbler Support Assembly	12
Tumbler Bearing Assembly	13
Non-Coin Drop Lint Door Assembly	14
Coin Drop Lint Door Assembly	15
Lint Trap Assembly	16
Idler Bearing Assembly	17
Non-Reversing Motor Mount Assembly	18, 19
Sensor Bracket Assemblies	20, 21
Direct Spark Ignition Burner Assembly	22, 23
Electric Oven Assembly	24, 25
Direct Spark Ignition Control Module Assembly	26
Single-Phase (1 ϕ) Motor, Electric Relay Panel Assembly	27
3-Phase (3 ϕ) Motor, Electric Relay Panel Assembly	28
Slide Meter Control Box Assembly	29
Steam Coil/Air-Operated Steam Damper Assembly	30, 31
Steam Coil/Mechanical Steam Damper Assembly	32, 33
Outer Top/Back Guard Assembly	34
Coin Meter Replacement Parts	35
Transformer Usage Listing for Gas/Steam Dryers	36
Transformer Usage Listing for Electric Dryers	37
Electric Oven Component Application Chart	38
Additional Parts Available	39

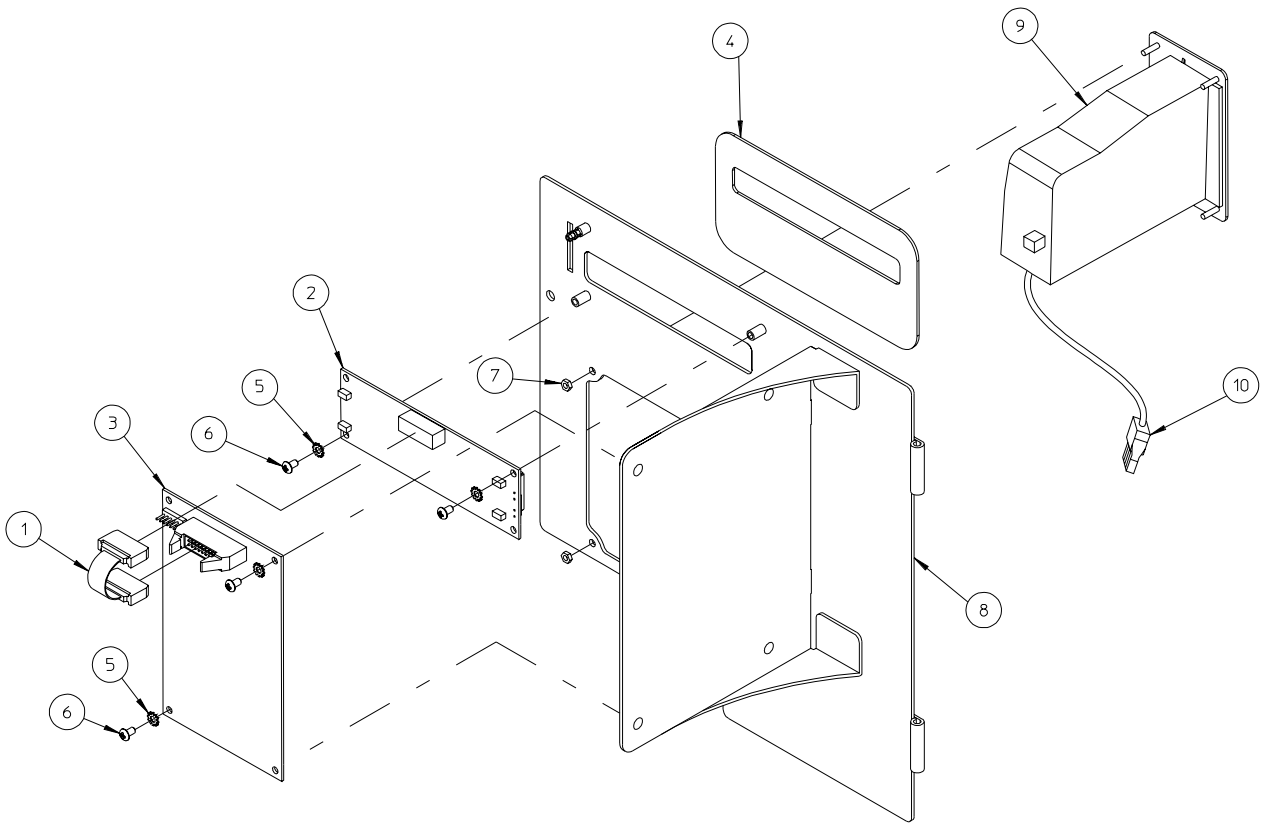
Coin Control Door Assembly



<u>Illus. No.</u>	<u>Part No.</u>	<u>Qty.</u>	<u>Description</u>
1	883589	1	White Control Door without Locks (includes illus. nos. 1 through 3 and 6)
	883590	1	Coral Blue Control Door without Locks (includes illus. nos. 1 through 3 and 6)
	883591	1	Ivory Control Door without Locks (includes illus. nos. 1 through 3 and 6)
2	117604	5	1/8" x 3/8" Neoprene Sponge Tape (sold by the foot)
3	883588	1	Black Control Door Trim
4	160040	2	XX4451 Lock Only
5	160140	*	XX4451 Key Only
6	152014	3	1/4-20 Free Spin Wash Nut

* As required.

Phase 7 Coin Microprocessor Control Panel Assembly

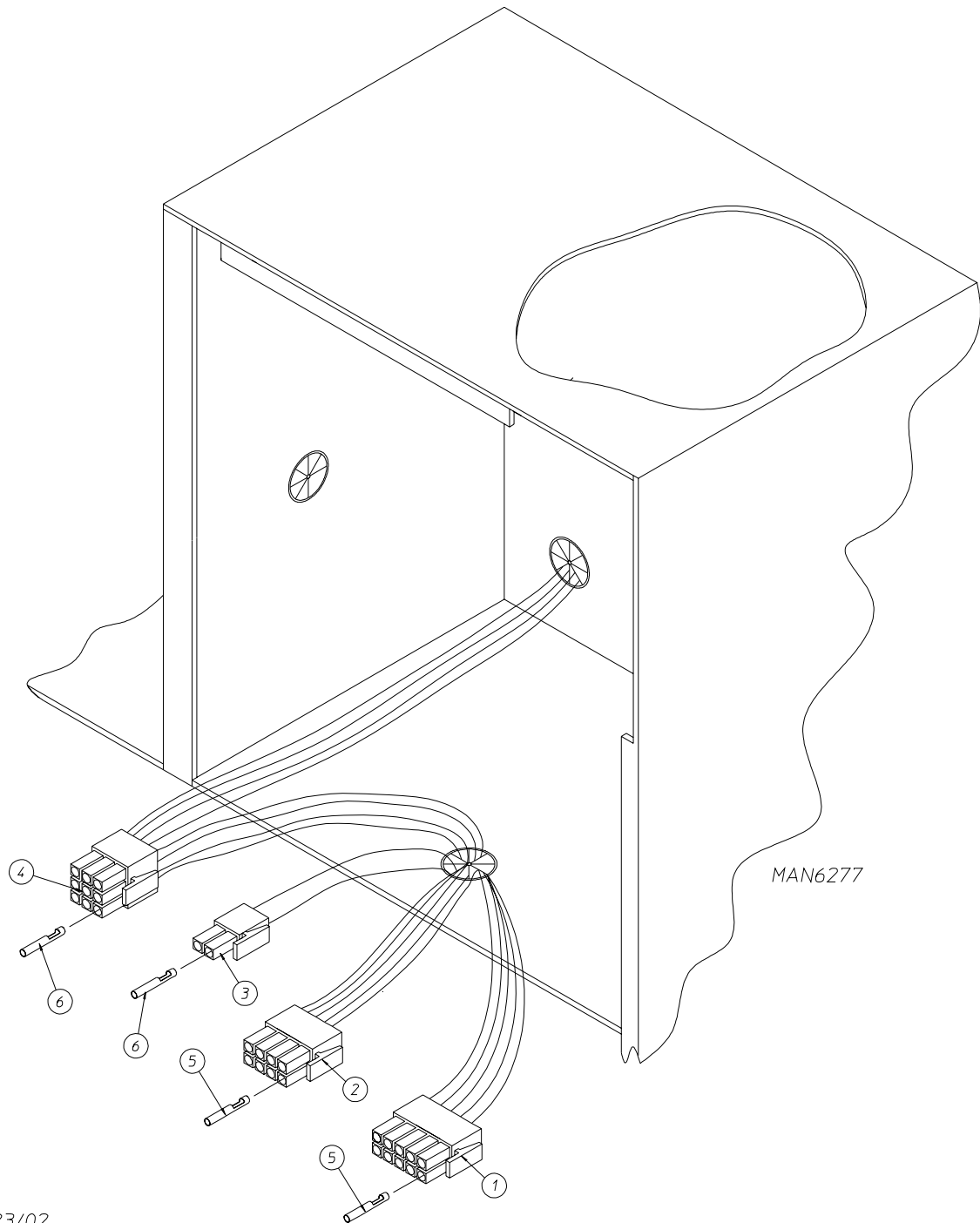


JCARRITA 10/17/02

MAN6308

<u>Illus. No.</u>	<u>Part No.</u>	<u>Qty.</u>	<u>Description</u>
1	137250	1	Phase 7 Coin Ribbon Cable
2	137270	1	16" x 1" Large Character Display
3	883435	1	Phase 7 Coin Board
4	112575	1	Phase 7 Keyboard
5	153010	4	#6 Internal and External Star Washers
6	150005	4	#6-32 x 1/4" Phillips Round Head Machine Screw
7	152102	4	M3 Metric Hex Nut
8	802536	1	Phase 7 Coin Control Panel Only
	802537	1	Phase 7 Coin Control Panel Assembly (includes illus. nos. 1 through 8)
9	803612	1	Phase 7 25¢ Coin Acceptor Assembly
10	122633	1	3-Pin Connector

Phase 7 Coin Microprocessor Control Box Assembly

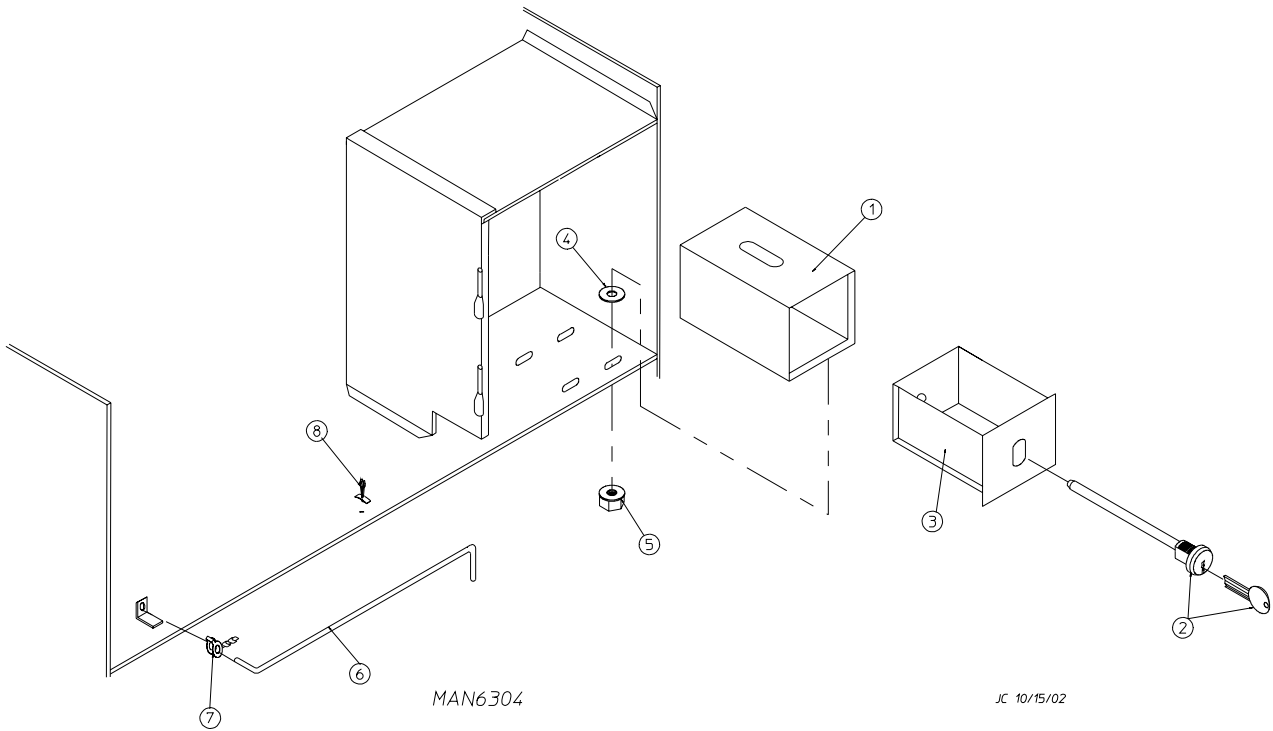


JCARRITA 9/23/02

<u>Illus. No.</u>	<u>Part No.</u>	<u>Qty.</u>	<u>Description</u>
1	122681	1	10-Pin Connector
2	122676	1	8-Pin Connector
3	122646	1	2-Pin Connector
4	122640	1	9-Pin Connector
5	122669	*	Female Crimp Terminal
6	122706	*	#20-16 U.M.N.L. Socket

* As needed.

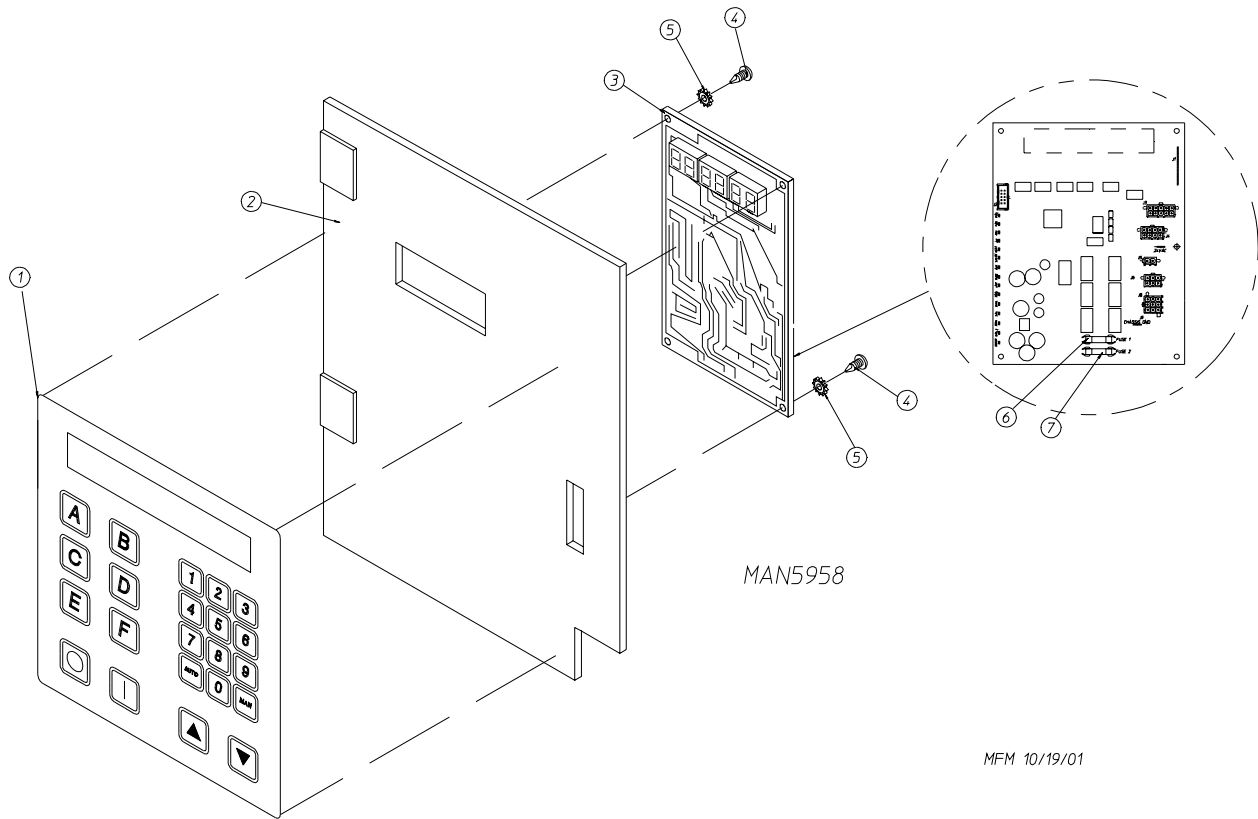
Microprocessor Coin Vault Assembly



<u>Illus. No.</u>	<u>Part No.</u>	<u>Qty.</u>	<u>Description</u>
1	883596	1	Security Coin Vault Assembly Complete (includes illus. nos. 1 through 3)
	802535	1	High Security Coin Vault Only
2	160022	1	High Security Screw Lock with Key
	160113*	1	Key Only For High Security Screw Lock
3	802534	1	High Security Coin Box Only
4	153050	4	1/2" S.A.E. Flat Washer
5	152014	4	1/4-20 Free Spin Wash Nut
6	102502	1	Control Door Support Rod
7	102601	1	Control Door Rod Retainer Clip
8	102603	1	Control Door Support Rod Catch

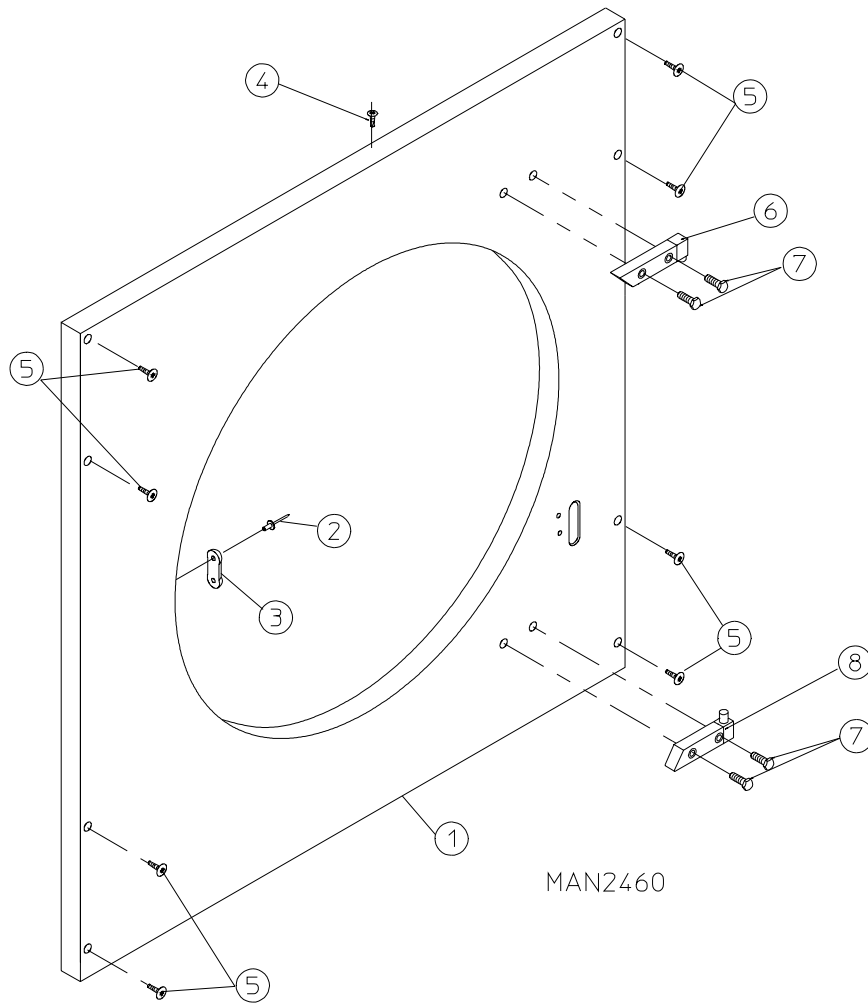
* Specify key number when ordering.

Phase 7 Non-Coin Microprocessor Control Panel Assembly



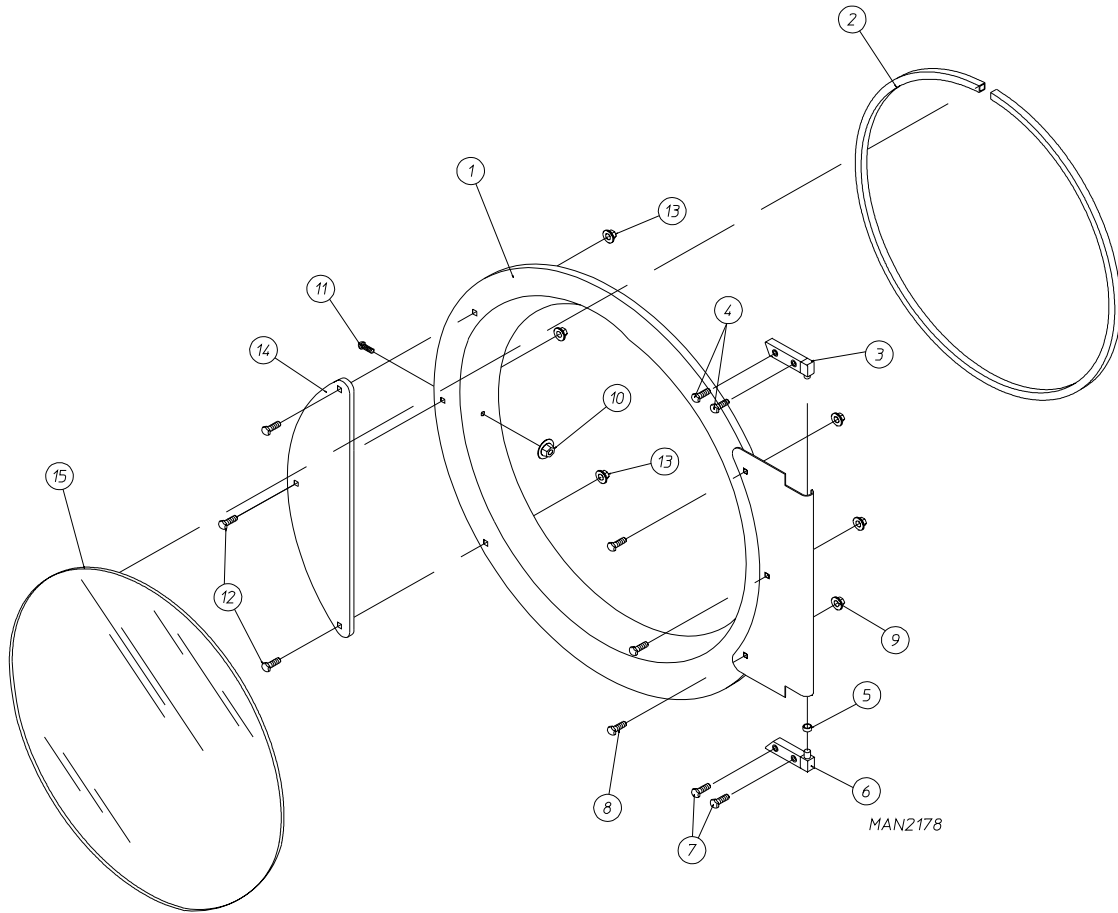
<u>Illus. No.</u>	<u>Part No.</u>	<u>Qty.</u>	<u>Description</u>
1	112571	1	Phase 7 Non-Coin Keyboard
2	850984	1	Phase 7 Microprocessor Controller (computer) Panel Only
	883301	1	Phase 7 Non-Coin Reversing Microprocessor Controller (computer) ControlPanel Assembly Complete (includes illus. nos. 1 through 7)
3	883277	1	Phase 7 Non-Coin Microprocessor Controller (computer) Only
4	150005	2	#6-32 x 3/4" Phillips Round Head Machine Screw
5	153010	2	#6 Star Washer
6	136016	1	5-amp Fuse
7	136097	1	500 mA Fuse

Front Panel Assembly



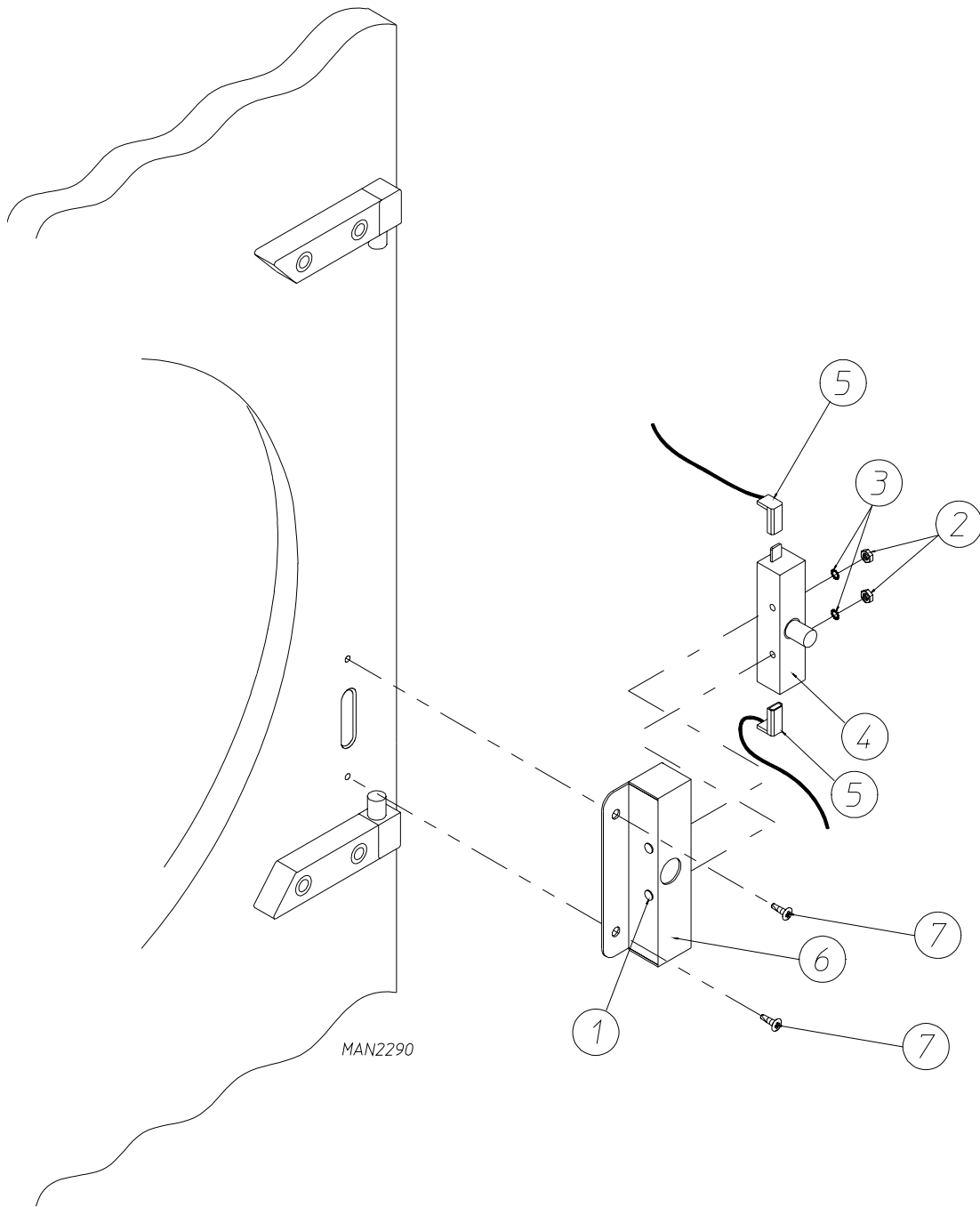
<u>Illus. No.</u>	<u>Part No.</u>	<u>Qty.</u>	<u>Description</u>
1	883553	1	White Front Panel Assembly (includes illus. nos. 1 through 3)
	881287	1	Stainless Steel Front Panel Assembly (includes illus. nos. 1 through 3)
	883554	1	Ivory Front Panel Assembly (includes illus. nos. 1 through 3)
	883555	1	Coral Blue Front Panel Assembly (includes illus. nos. 1 through 3)
2	154215	2	5/32" x 1/4" Rivet
3	881987	1	Friction Door Latch Kit (includes illus. nos. 2 and 3)
4	150300	1	#10-16 x 1/2" Hex Washer TEK Screw
5	150309	8	#10-16 x 1/2" Phillips Hex Head TEK Crimpite Screw
6	881152	1	Black Top Hinge Block Assembly
	881208	1	Stainless Steel Top Hinge Block Assembly
7	150445	4	1/4-20 x 7/8" Black Cap Head Setscrew
	150443	4	1/4-20 x 7/8" Stainless Steel Cap Head Setscrew
8	881151	1	Black Bottom Hinge Block Assembly
	881209	1	Stainless Steel Bottom Hinge Assembly

Main Door "Steel" Assembly



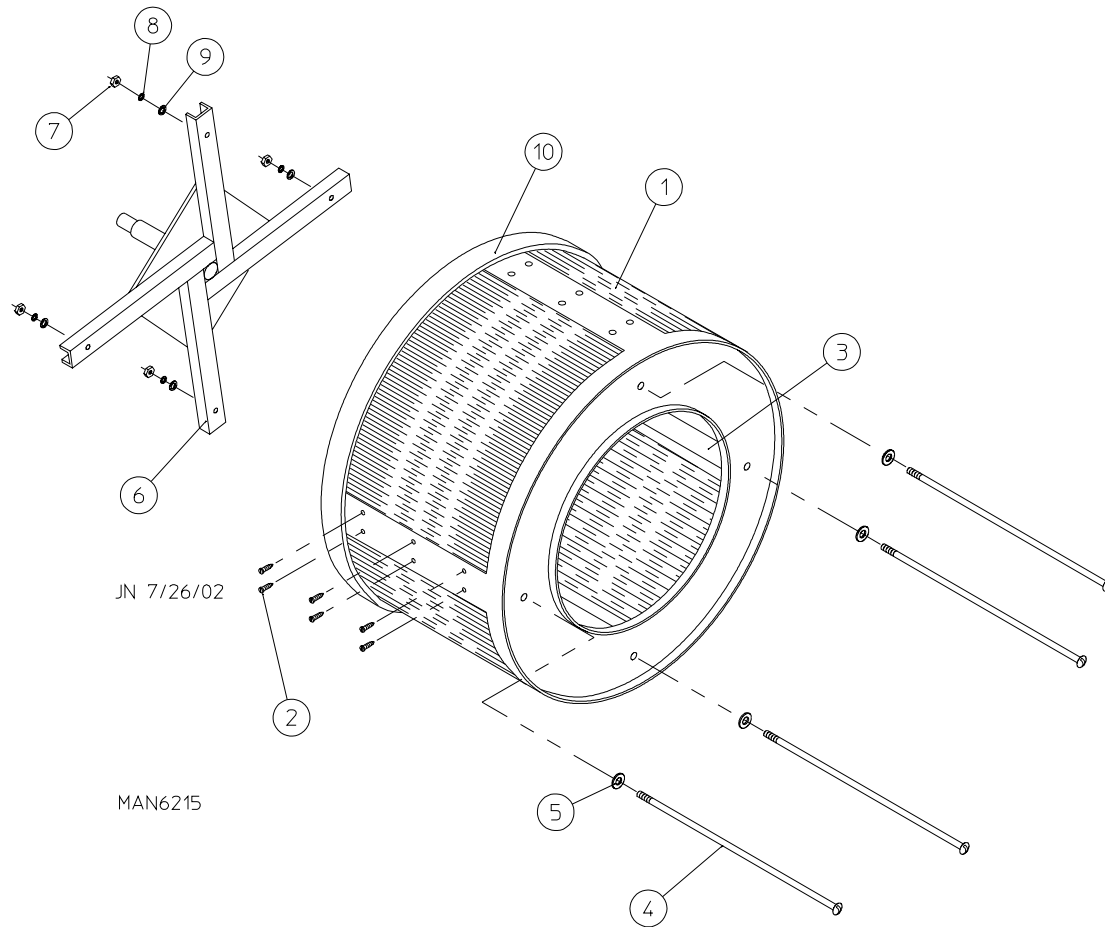
<u>Illus. No.</u>	<u>Part No.</u>	<u>Qty.</u>	<u>Description</u>
1	881150	1	Black Main Door Assembly Complete (includes illus. nos. 1, 2, and 8 through 15)
2	102354	1	Door Gasket
	170731	1	Black Gasket Adhesive (10.3 oz. cartridge)
3	881152	1	Black Top Hinge Block Assembly (includes illus. nos. 3 and 4)
4	150445	2	1/4-20 x 3/4" Black Cap Head Setscrew
5	153031	1	1/4" Nylon Washer
6	881151	1	Black Bottom Hinge Block Assembly (includes illus. nos. 5, 6, and 7)
7	150445	2	1/4-20 x 3/4" Black Cap Head Setscrew
8	150683	3	1/4-20 x 5/8" Black Carriage Bolt
9	152014	3	1/4-20 Free Spin Wash Nut
10	151010	1	#10-32 Black Hex Acorn Nut
11	150120	1	Door Latch Screw
12	150683	3	1/4-20 x 5/8" Black Carriage Bolt
13	152014	3	1/4-20 Free Spin Wash Nut
14	881210	1	Black Main Door Handle Only
15	102211	1	20-7/16" Door Glass
	170731	1	Black Glass Adhesive (10.3 oz. cartridge)

Main Door Switch Assembly



<u>Illus. No.</u>	<u>Part No.</u>	<u>Qty.</u>	<u>Description</u>
1	150006	2	#6-32 x 7/8" Phillips Pan Head Machine Screw
2	152013	2	#6-32 Hex Nut
3	153010	2	#6 Star Washer
4	137005	1	Door Switch Only
5	122636	2	Flag Terminal
6	881211	1	Black Main Door Switch Housing Only
	881153	1	Black Main Door Switch Housing Complete (includes illus. nos. 1 through 4 and 6)
7	150301	2	#8-18 x 7/16" Phillips Pan Head TEK Screw

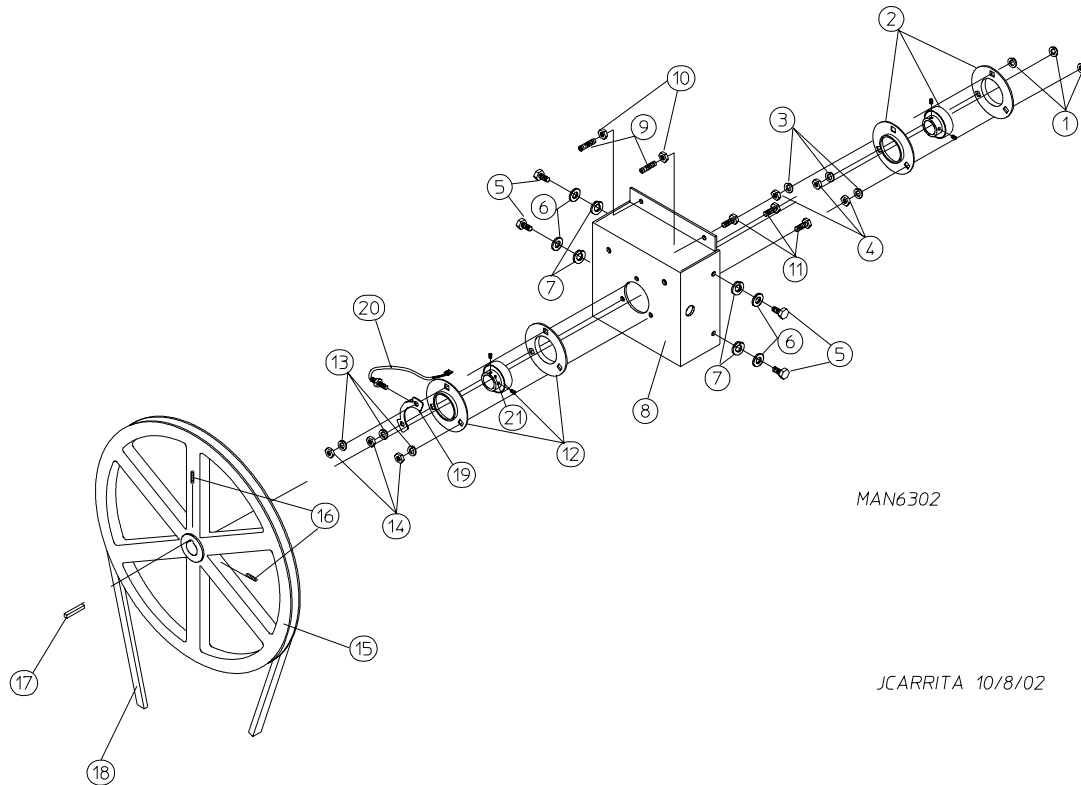
Tumbler Support Assembly



<u>Illus. No.</u>	<u>Part No.</u>	<u>Qty.</u>	<u>Description</u>
1*	800700	1	Galvanized Tumbler Only (without felt collar)
	800850	1	Stainless Steel Tumbler Only (without felt collar)
	800812	1	Galvanized Tumbler and Support Assembly (includes illus. nos. 1 through 10)
	800860	1	Stainless Steel Tumbler and Support Assembly (includes illus. nos. 1 through 10)
2	150313	24	#10-16 x 1/2" TORX Plus BTN Type 1
3	301307	4	Galvanized Tumbler Rib Only
	301407	4	Stainless Steel Tumbler Rib Only
4	100900	4	5/16-18 x 17-1/2" Tie Rod
5	153001	4	5/16" Flat Washer
6	800610	1	Tumbler Support Only
7	152004	4	5/16-18 Hex Nut
8	153002	4	5/16" Lock Washer
9	153001	4	5/16" Flat Washer
10	116002	1	Felt Collar Only
	401010	1	#847 Adhesive for Felt Collar (5.0 oz. tube)...Not Illustrated

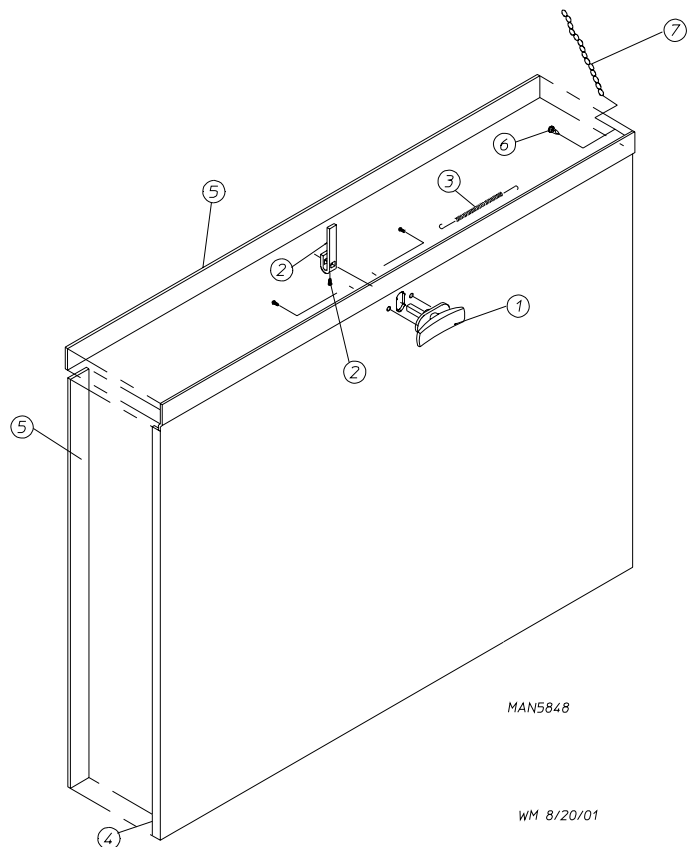
* Felt collar *is not included* and **must be** ordered separately.

Tumbler Bearing Assembly



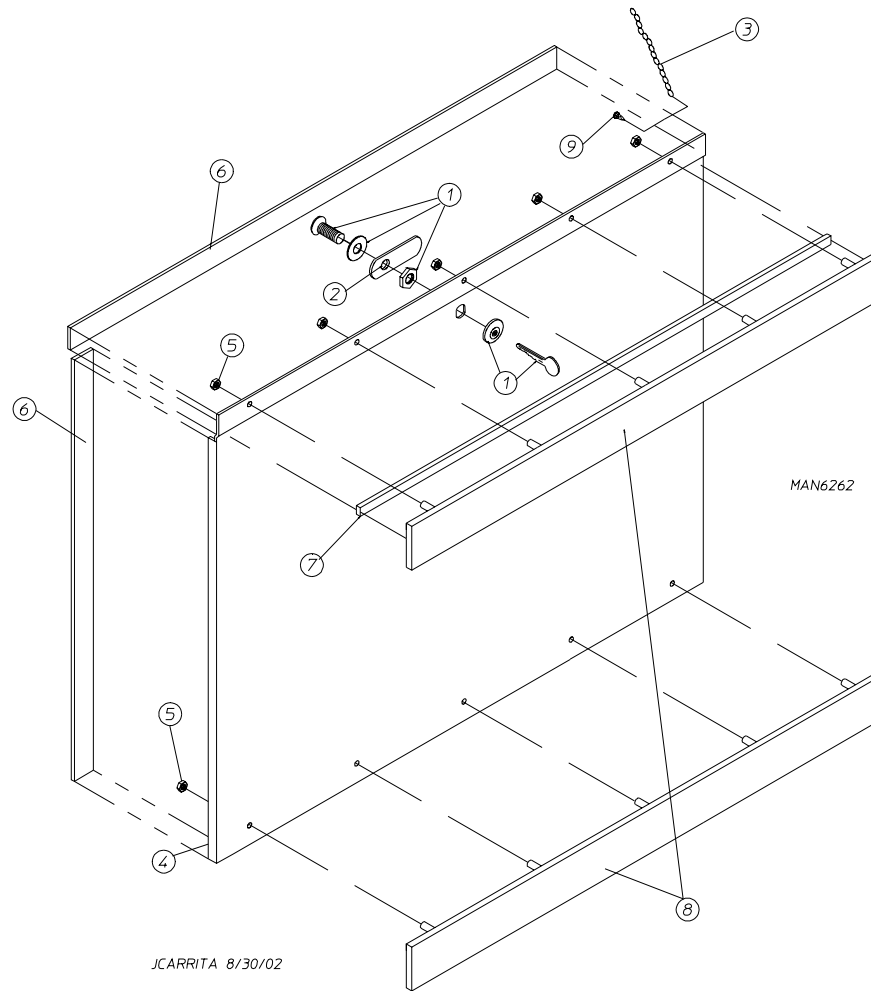
<u>Illus. No.</u>	<u>Part No.</u>	<u>Qty.</u>	<u>Description</u>
1	153002	3	5/16" Lock Washer
2	880213	1	1-1/4" Flange Bearing with Nylock Setscrew
3	153002	3	5/16" Lock Washer
4	152004	3	5/16-18 Hex Nut
5	150501	4	5/16-18 x 3/4" Hex Head Machine Bolt
6	153002	4	5/16" Lock Washer
7	153004	4	3/8" Flat Washer
8	883609	1	1" Bearing Box Assembly Complete for Phase 7 Models Only (includes illus. nos. 8 through 14 and 19 through 21)
	801100	1	1" Bearing Box Assembly Complete for Dual Timer Models Only (includes illus. nos. 8 through 14)
	801105	1	Bearing Box Only
9	150610	2	5/16-18 x 1-1/2" Allen Setscrew
10	152004	2	5/16-18 Hex Nut
11	150501	3	5/16-18 x 3/4" Hex Head Machine Bolt
12	880201	1	1" Flange Bearing with Nylock Setscrew
13	153002	3	5/16" Lock Washer
14	152004	3	5/16-18 Hex Nut
15	101100	1	18" Pulley Only
16	154301	2	5/16-18 x 5/16" Setscrew
17	100713	1	1/4" x 1/4" x 7/8" Key
18	100108	1	5L-680 V-Belt (Tumbler to idler)
19	319004	1	Rotational Sensor Bracket (for phase 7 models Only)
20	882735	1	Rotational Sensor Assembly (for phase 7 models Only)
21	102120	1	Rotational Sensor Magnet (for phase 7 models Only)

Non-Coin Drop Lint Door Assembly

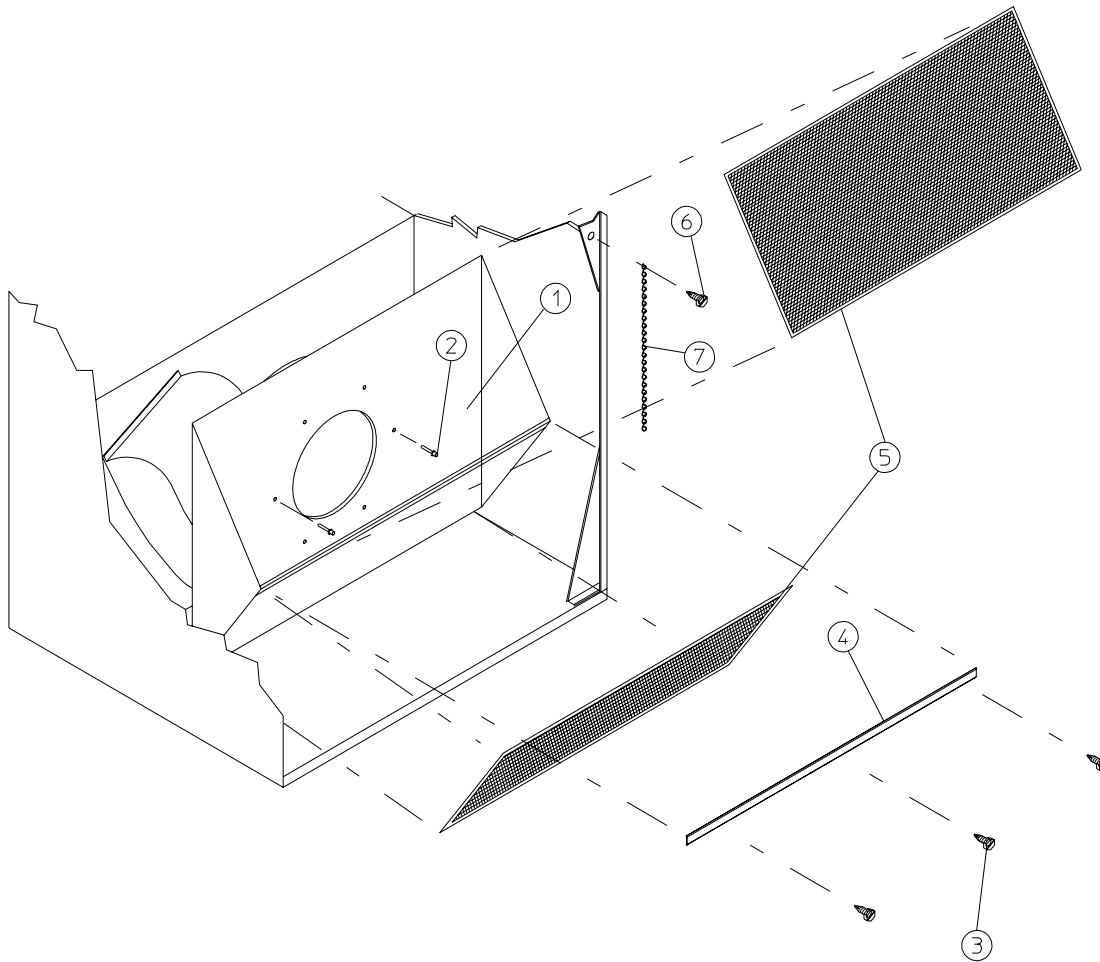


<u>Illus. No.</u>	<u>Part No.</u>	<u>Qty.</u>	<u>Description</u>
1	800150	1	Knob Latch Kit Assembly (includes illus. nos. 1 and 2)
	160003	1	Dummy Lock Only (for non-coin models Only)
	160104	1	MK-100 Key Only (for dummy lock)
2	160008	1	Lock Cam for Dummy Lock
	160009	1	Knob Latch Adjustable Cam Only
	150425	1	#12-24 x 3/8" Round Head Machine Screw Only (screw for knob latch adjustable cam)
3	157000	1	Drop Lint Door Spring
4	883564	1	White Drop Lint Door Assembly without Trim (includes illus. nos. 4 and 5)
	883565	1	Ivory Drop Lint Door Assembly without Trim (includes illus. nos. 4 and 5)
	883566	1	Coral Blue Drop Lint Door Assembly without Trim (includes illus. nos. 4 and 5)
	883141	1	Stainless Steel Lint Door Assembly without Trim (includes illus. nos. 4 and 5)
5	117604	7	Neoprene Sponge Tape (sold by the foot)
6	150419	2	#6 x 1/2" Tamperproof TEK Screw
	150418	1	Tamperproof Screw Hand Driver...Not Illustrated
7	108120	1	Chain for Drop Lint Door (10-1/2" length)

Coin Drop Lint Door Assembly



<u>Illus. No.</u>	<u>Part No.</u>	<u>Qty.</u>	<u>Description</u>
1	160001	1	Lock Assembly with Key
	160103	1	Key Only
2	160008	1	Cam Only
3	108120	1	Chain for Drop Lint Door
4	817182	1	White Drop Lint Door Assembly with Black Trim (includes illus. nos. 4 through 8)
	883423	1	Ivory Drop Lint Door Assembly with Black Trim (includes illus. nos. 4 through 8)
	883424	1	Coral Blue Drop Lint Door Assembly with Black Trim (includes illus. nos. 4 through 8)
	883422	1	Stainless Steel Drop Lint Door Assembly with Black Trim (includes illus. nos. 4 through 8)
5	152014	10	1/4-20 with 3/4" Free Spin Wash Nut
6	117604	7	Noise Suppression Tape (sold by the foot)
7	117603	3	1/8" x 9/16" Sponge Tape (sold by the foot)
8	883531	2	Black Drop Lint Door Trim
9	150419	2	#6 x 1/2" Tamperproof TEK Screw
	150418	1	Tamperproof Screw Hand Driver...Not Illustrated



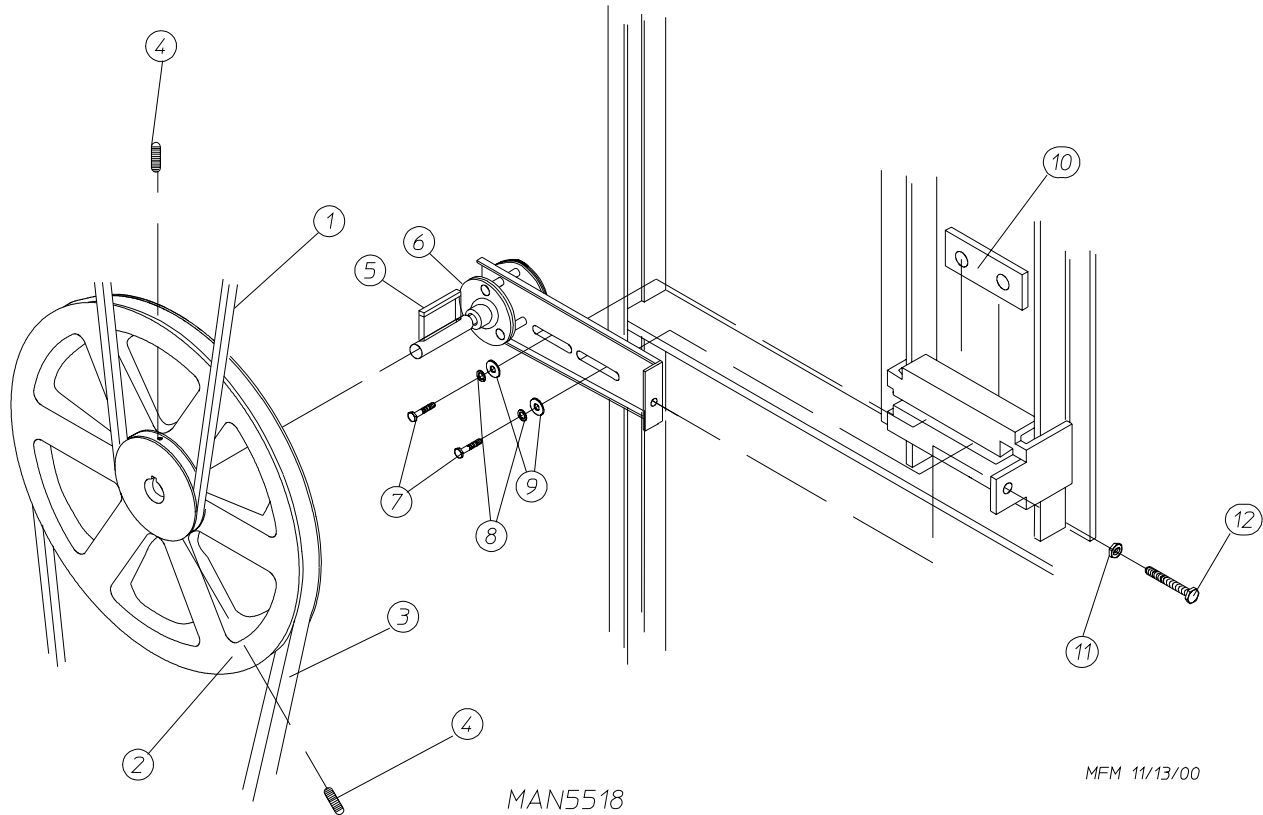
MAN0275

<u>Illus. No.</u>	<u>Part No.</u>	<u>Qty.</u>	<u>Description</u>
1	800425*	1	Choked Lint Trap Assembly Complete (includes illus. nos. 1 and 3 through 5)
	800426*	1	Choked Lint Trap Only
	800400**	1	Lint Trap Assembly Complete (includes illus. nos. 1 and 3 through 5)
	800403**	1	Lint Trap Only
2	154200	6	5/32" Pop Rivet
3	150300	3	#10-16 x 1/2" Hex Washer TEK Screw
4	304100	1	Lint Screen Holder Only
5	800500	2	Lint Screen Only
6	150419	2	#6 x 1/2" Tamperproof TEK Screw
	150418	1	Tamperproof Screw Hand Driver...Not Illustrated
7	108120	1	Chain for Drop Lint Door

* For gas models Only.

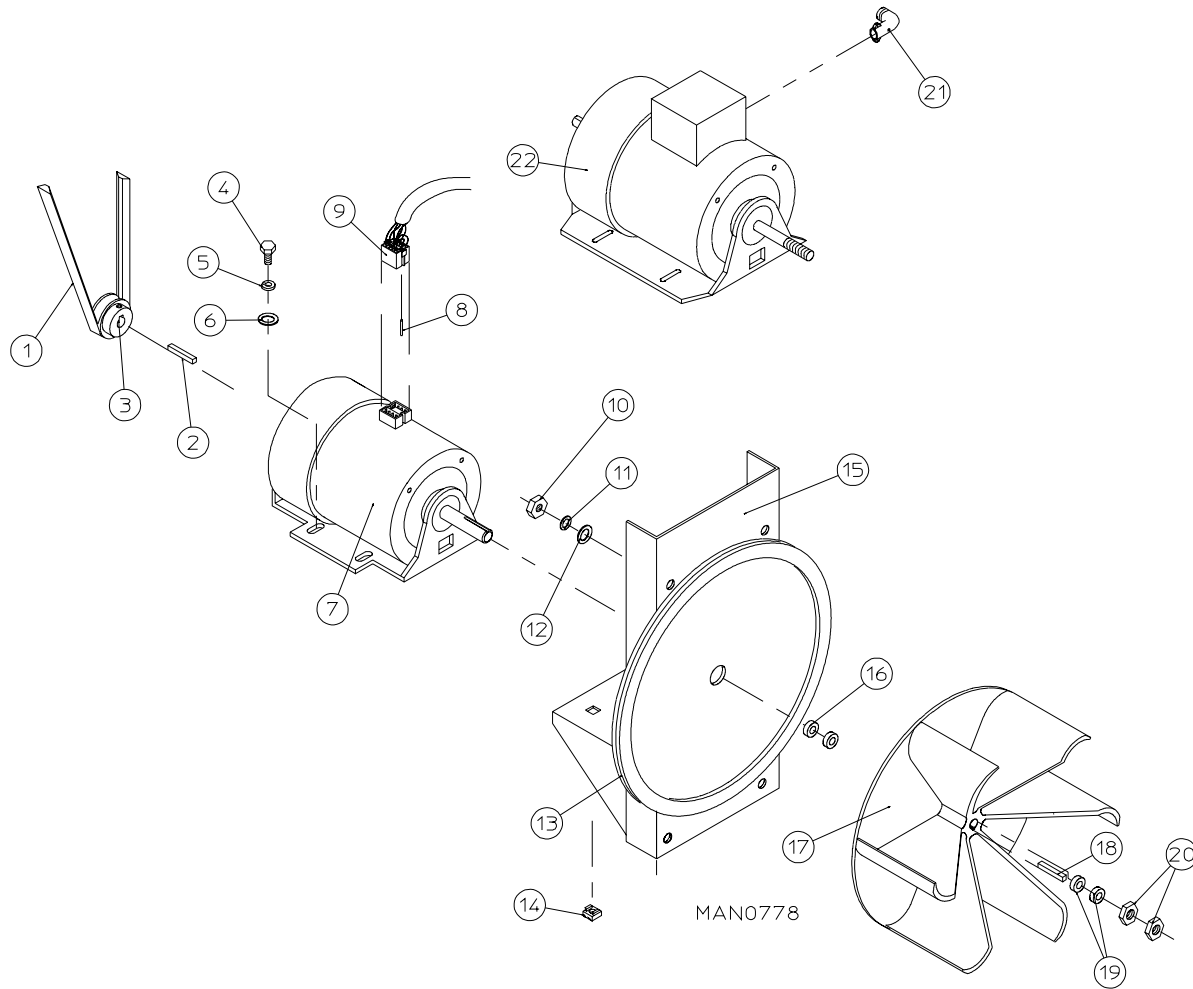
** For electric models and steam models Only.

Idler Bearing Assembly



<u>Illus. No.</u>	<u>Part No.</u>	<u>Qty.</u>	<u>Description</u>
1	100108	1	5L-680 V-Belt (idler to tumbler)
2	101129	1	9" x 2-1/2" Compound Pulley
3	100110	1	4L-500 V-Belt (idler to motor)
4	154301	2	5/16-18 x 1" Allen Setscrew
5	100705	1	3/16" x 3/16" x 1-3/8" Key
6	882576	1	Idler Bearing Assembly Complete (includes illus. nos. 5 through 12)
7	150617	2	3/8-16 x 1" Hex Head Machine Bolt
8	153005	2	3/8" Lock Washer
9	153004	2	3/8" Flat Washer
10	801009	1	Idler Square Washer
11	152004	1	5/16-18 Hex Nut
12	150509	2	5/16-18 x 3" Hex Head Machine Bolt

Non-Reversing Motor Mount Assembly

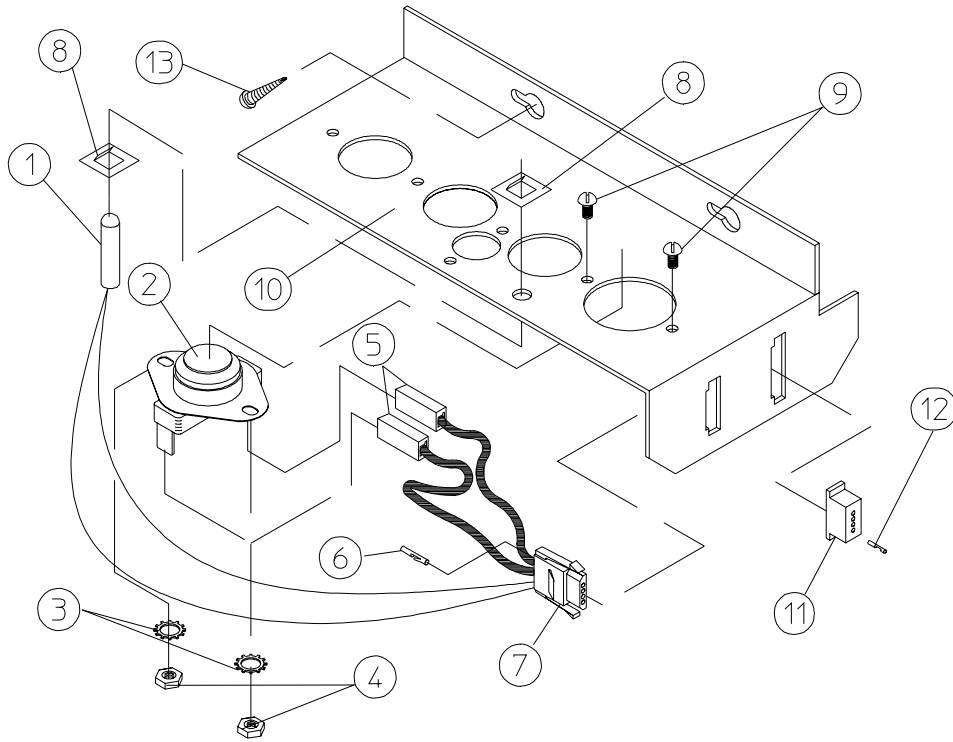


<u>Illus. No.</u>	<u>Part No.</u>	<u>Qty.</u>	<u>Description</u>
1	100110	1	4L-500 V-Belt (motor to idler)
2	100701	1	3/16" x 3/16" x 1" Key (for use on 3 ϕ models Only)
3	101104	1	1/2" x 2" Motor Pulley (for use on 1 ϕ - 60 Hz motors Only)
	101132	1	5/8" x 2" Motor Pulley (for use on 3 ϕ - 60 Hz motors Only)
	101133	1	5/8" x 2-1/4" Motor Pulley (for use on 100066 and 100007 - 50 Hz motors Only)
	101131	1	1/2" x 2-1/4" Motor Pulley (for use on 181049 - 50 Hz motors Only)
4	150501	4	5/16-18 x 3/4" Hex Head Machine Bolt
	153002	4	5/16" Lock Washer
	153001	4	5/16" Flat Washer
7	181049	1	1/2 hp 100-230v 1 ϕ 50/60 Hz Plug-Type Motor
	100066	1	1/2 hp 240v 1 ϕ 50 Hz Totally Enclosed, Fan-Cooled Plug-Type Motor (for 50 Hz models mfd. prior to August 22, 2002)

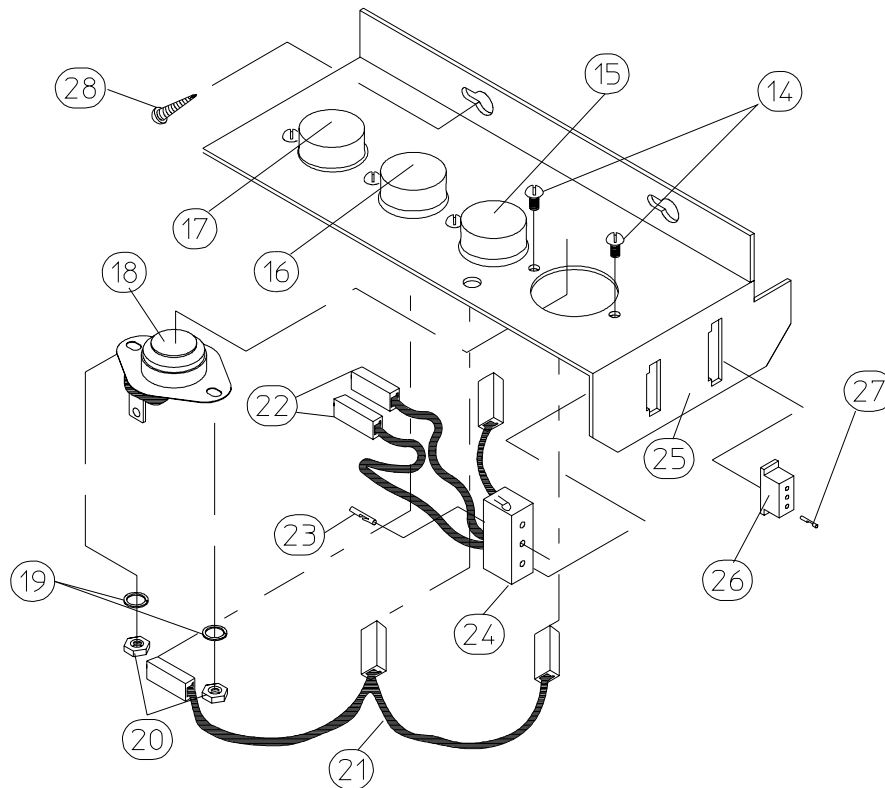
Non-Reversing Motor Mount Assembly (continued)

<u>Illus. No.</u>	<u>Part No.</u>	<u>Qty.</u>	<u>Description</u>
8	122701	8	Socket Terminal Only
	122801	1	Pin/Socket Extraction Tool...Not Illustrated
9	137030	1	8-Pin Housing Connection
10	152004	4	5/16-18 Hex Nut
11	153002	4	5/16" Lock Washer
12	153001	4	5/16" Flat Washer
13	117604	4	1/8" x 3/8" Sponge Tape (sold by the foot)
14	154000	4	5/16-18 Tinnerman Nut
15	800908	1	1/2 hp Motor Mount Only (56Z frame)
	803930*	1	1/2 hp 115-230v 1 ϕ 50/60 Hz Motor Mount Assembly Complete with Plug Motor (includes illus. nos. 2 through 7 and 13 through 20)
	880819	1	1/2 hp 240v 1 ϕ 50 Hz Motor Mount Assembly Complete with Plug Motor (includes illus. nos. 2 through 7 and 13 through 20)
	803801*	1	1/2 hp 208/230/380/460v 3 ϕ 60 Hz Motor Mount Assembly Complete (includes illus. nos. 2 through 6 and 13 through 22)
	803800*	1	1/2 hp 208/230/380/460v 3 ϕ 50 Hz Motor Mount Assembly Complete (includes illus. nos. 2 through 6 and 13 through 22)
16	153050	2	1/2" Flat Washer
17	100604	1	12-1/2" Impellor with 1/2" Bore
18	100702	1	1/8" x 1/8" x 1-1/2" Key
19	153050	2	1/2" Flat Washer
20	152006	2	1/2-20 Left Hand Jam Nut
21	120200	1	3/8" 90° Connector
22	100007*	1	1/2 hp 208/230/380/460v 3 ϕ 50/60 Hz Motor (56Z frame)

* Specify voltage when ordering.



MICROPROCESSOR SENSOR BRACKET ASSEMBLY



MAN0238

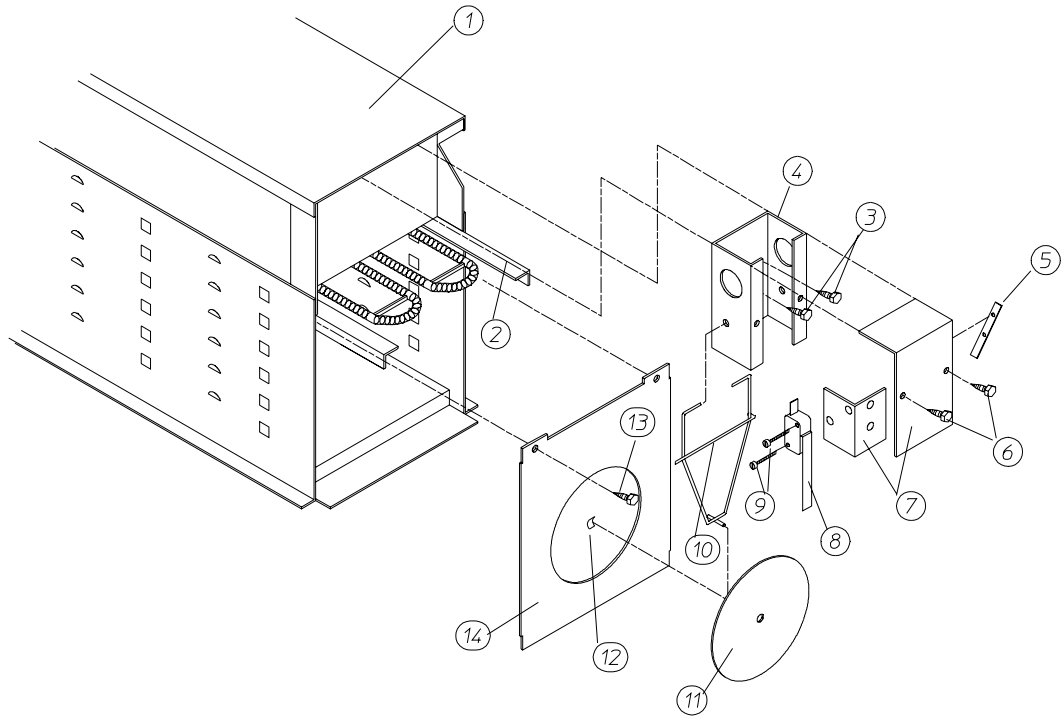
NON-COMPUTER SENSOR BRACKET ASSEMBLY

Sensor Bracket Assemblies

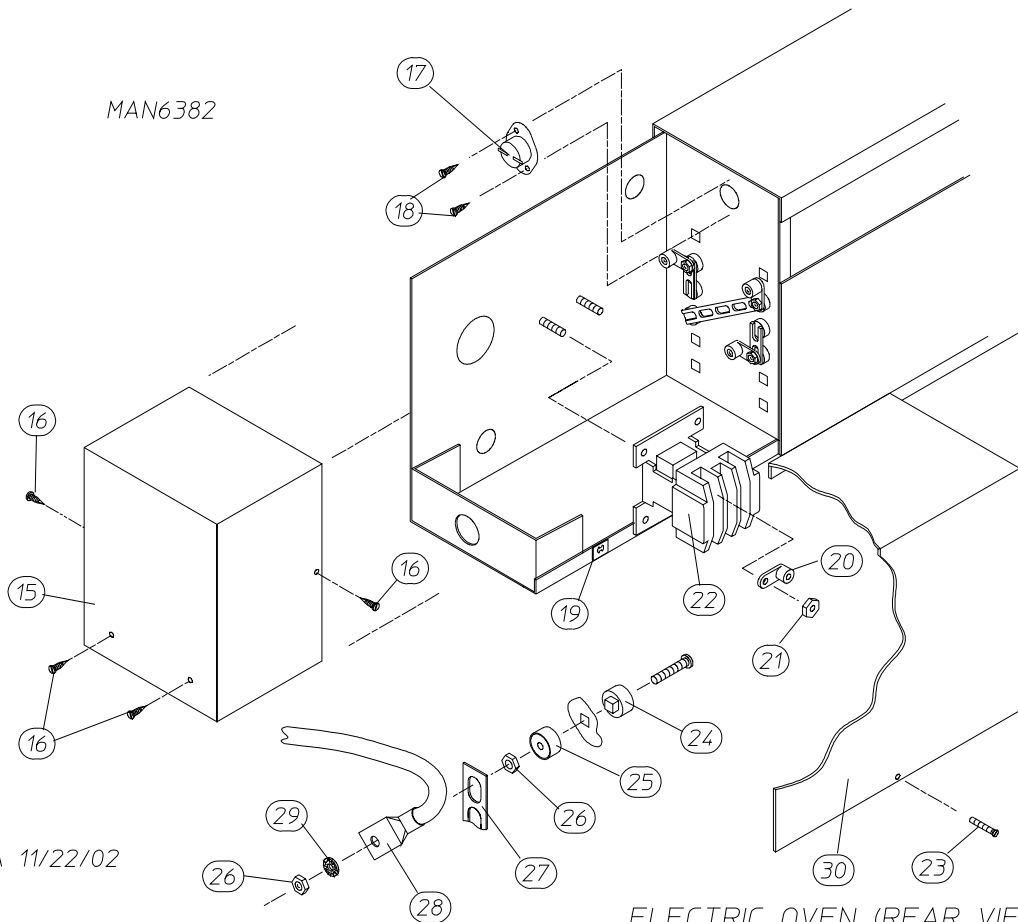
<u>Illus. No.</u>	<u>Part No.</u>	<u>Qty.</u>	<u>Description</u>
1	880251	1	1/4" Temperature Sensor Probe Assembly (includes illus. nos. 1 and 5 through 8)
2	130103	1	225° Automatic Reset Thermostat
3	153010	2	#6 Star Washer
4	152000	2	#6-32 Hex Nut
5	121028	2	Insulated Terminal Only
6	122701	4	Socket Terminal Only
7	122605	1	4-Pin Socket Connector Only
8	154007	2	1/4" Push On Fastener
9	150005	2	#6-32 x 1/4" Round Head Machine Screw
10	801425	1	Microprocessor Sensor Bracket Assembly Complete (includes illus. nos. 1 through 10)
	305007	1	Universal Sensor Bracket Only
11	122604	1	4-Pin Connector Only
12	122700	4	Pin Terminal Only
13	150301	2	#8-18 x 7/16" Phillips Pan Head TEK Screw
14	150005	5	#6-32 x 1/4" Round Head Machine Screw
15	130111	1	130° Thermostat
16	130100	1	150° Thermostat
17	130103	1	225° Automatic Reset Thermostat
18	130101	1	180° Thermostat
19	153010	5	#6 Star Washer
20	152000	5	#6-32 Hex Nut
21	840065	1	Sensor Jumper Only
22	121028	4	Insulated Terminal Only
23	122701	4	Socket Terminal Only
24	122605	1	4-Pin Socket Connector Only
	840062	1	Sensor Bracket Harness Assembly (includes illus. nos. 22 through 24)
25	801418	1	Noncomputer Sensor Bracket Assembly Complete (includes thermostats) (includes illus. nos. 14 through 25)
	305007	1	Universal Sensor Bracket Only
26	122604	1	4-Pin Connector Only
27	122700	4	Pin Terminal Only
	122801	1	Pin/Socket Extraction Tool...Not Illustrated
28	150301	2	#8-18 x 7/16" Phillips Pan Head TEK Screw

Direct Spark Ignition Burner Assembly

<u>Illus. No.</u>	<u>Part No.</u>	<u>Qty.</u>	<u>Description</u>
1	141104	2	Small Burner Tube
2	150108	2	#8-32 x 1/2" Pan Head Machine Screw
3	151001	2	#8-32 Pal Nut
4	140811	2	#41 Natural Gas Burner Orifice
	140848	2	#54 Liquid Propane Burner Orifice
5	141230	1	1/2" 2-Port Manifold
6	150309	5	#10-16 x 1/2" Hex Head TEK Crimptite Screw
7	318716	1	Gas Valve Bracket
8	128927	1	1/2" 24 VAC Redundant Gas Valve (natural gas)
	880960	1	1/2" 24 VAC Liquid Propane Gas Valve
9	142707	1	1/2" x 1-1/2" B.I. Nipple
10	142500	1	1/2 x 90° Elbow
11	142754	2	1/2" x 8" B.I. Nipple
12	142600	1	1/2" Black Union
13	883145	1	Natural Gas Burner Box Assembly Complete Less Orifice (includes illus. nos.1 through 3 and 5 through 27)
	883146	1	Liquid Propane Burner Box Assembly Complete Less Orifice (includes illus. nos.1 through 3 and 5 through 27)
	850850	1	Burner Box Only
	874051	1	Liquid Propane Conversion Kit
14	809308	1	Ignitor Flame-Probe Assembly with Leads
	880330	1	High Voltage Wire and Connector Assembly
15	150300	6	#10-16 x 1/2" Hex Washer TEK Screw
16	318700	1	Pipe Bracket
17	154004	1	Twin Speed Nut
18	802799	1	Sail Switch Box Cover and Bracket Only
19	122200	1	Sail Switch
20	150303	2	#4 x 3/4" Pan Head Machine Screw
21	105500	1	Sail Switch Actuator Rod
22	319202	1	Sail Switch Damper (flat)
23	154002	1	1/8" Push On Fastener
	802800	1	Sail Switch Box with Cover
	802801	1	Sail Switch Assembly Complete (includes illus. nos. 15 and 17 through 23)
24	319704	1	Hi-Limit Mounting Bracket
25	150001	2	#6-32 x 1/2" Phillips Round Head Machine Screw
26	130201	1	330° Manual Reset Hi-Limit
27	151000	2	#6-32 Pal Nut



ELECTRIC OVEN (FRONT VIEW)



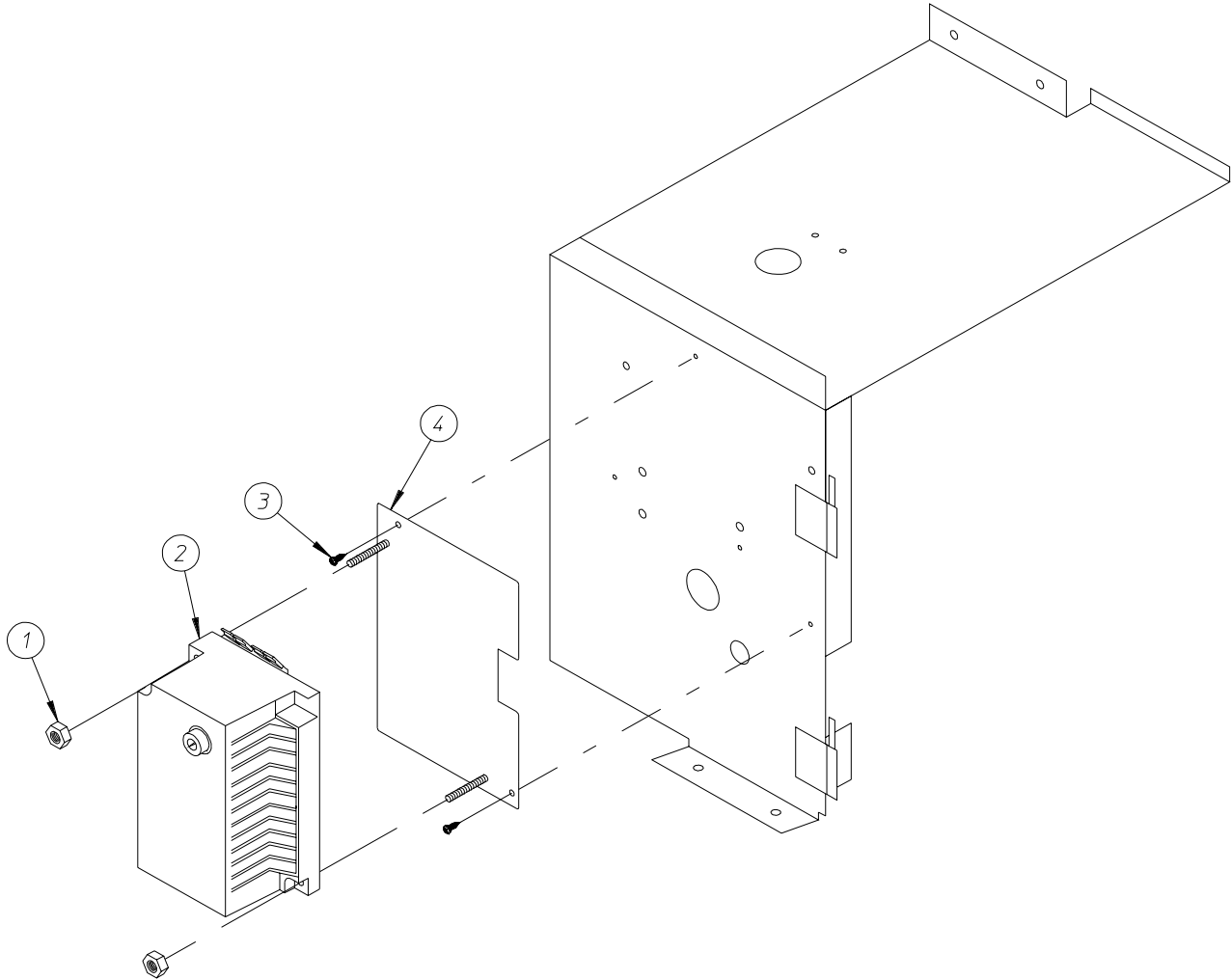
ELECTRIC OVEN (REAR VIEW)

Electric Oven Assembly

<u>Illus. No.</u>	<u>Part No.</u>	<u>Qty.</u>	<u>Description</u>
1	803003	1	Small Electric Oven Box Only
	-----*	1	Electric Oven Assembly Complete
2	-----*	-	Electric Element
3	150300	2	#10-16 x 1/2" Hex Washer TEK Screw
4	802800	1	Sail Switch Box with Bracket and Cover Only
	802801	1	Sail Switch Box Assembly Complete (includes illus. nos. 4 through 12)
5	154004	1	Twin Speed Nut
6	150309	2	#10-16 x 1/2" Hex Head Crimptite Screw
7	802799	1	Sail Switch Box Cover Only
8	122200	1	Sail Switch Only
9	150303	2	#4 x 3/4" Pan Head "A" Machine Screw
10	105500	1	Sail Switch Actuator Rod
11	319202	1	Sail Switch Damper (flat)
12	154002	1	1/8" Push On Fastener
13	150300	2	#10-16 x 1/2" Hex Washer TEK Screw
14	803100	1	Electric Oven Front Cover Only
15	320611	1	Large Relay Box Cover Only
16	150207	2	#10-24 x 1/2" Phillips Round Head Machine Screw
17	130400	1	290° Hi-Limit
18	150300	2	#10-16 x 1/2" Hex Washer TEK Screw
19	154001	2	#10-24 Speed Nut
20	121010	1	L-70 Ground Lug
21	152014	3	1/4-20 Free Spin Wash Nut
22	-----*	1	Oven Relay
23	150207	2	#10-24 x 1/2" Phillips Pan Machine Screw
24	120081	-	Internal Ceramic Insulator (2 per element)
25	120080	-	External Ceramic Insulator (2 per element)
26	152008	-	#10-32 Hex Nut (4 per element)
27	121011*	-	Bus Bar
28	-----*	-	Oven Wiring
29	153009	-	#10 Star Washer (2 per element)
30	320607	1	Small Electric Oven Right Side Cover Only

* Refer to **Electric Oven Component Application Chart** on **page 38**.

Direct Spark Ignition Control Module Assembly

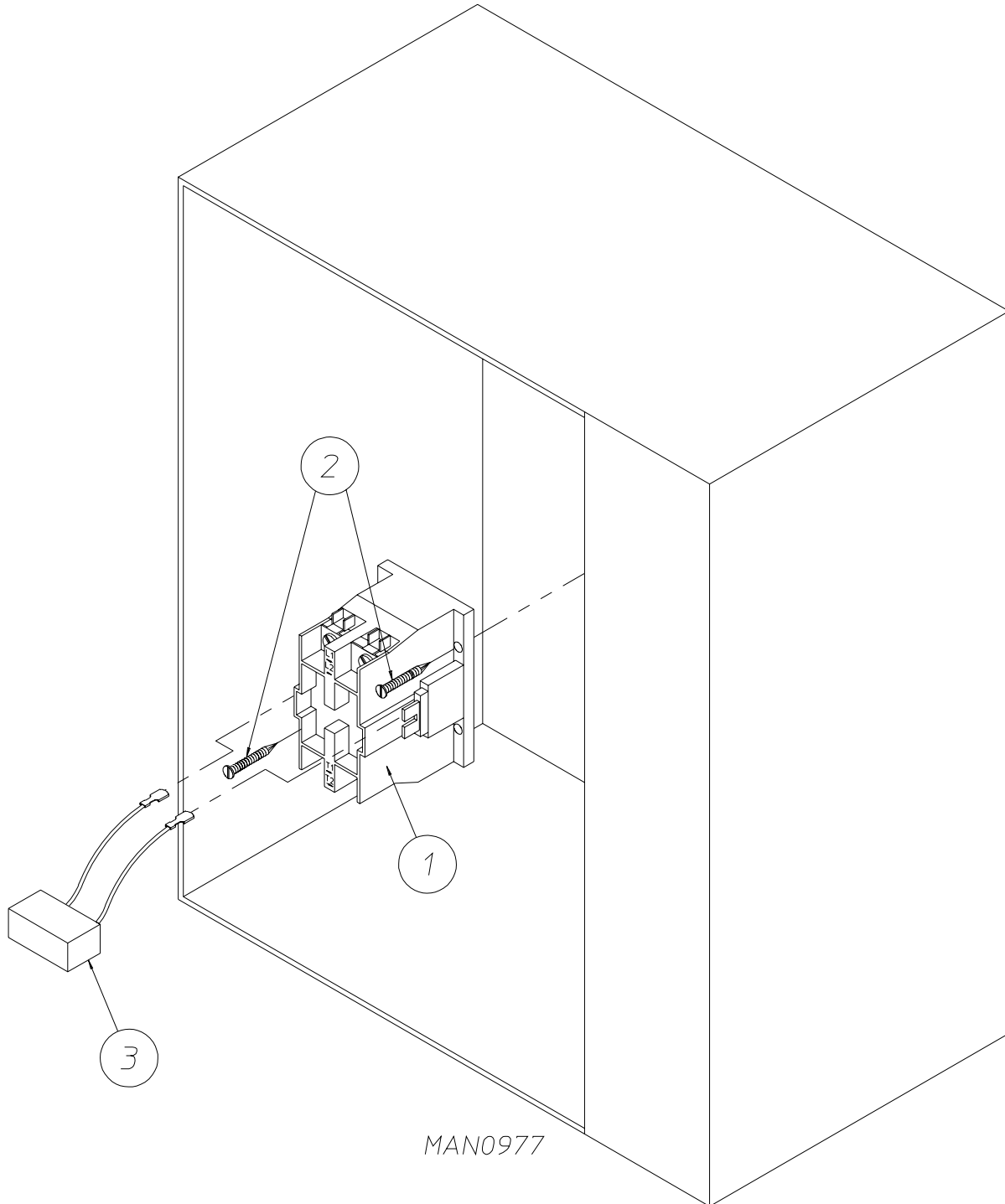


WM 9/14/01

MAN5910

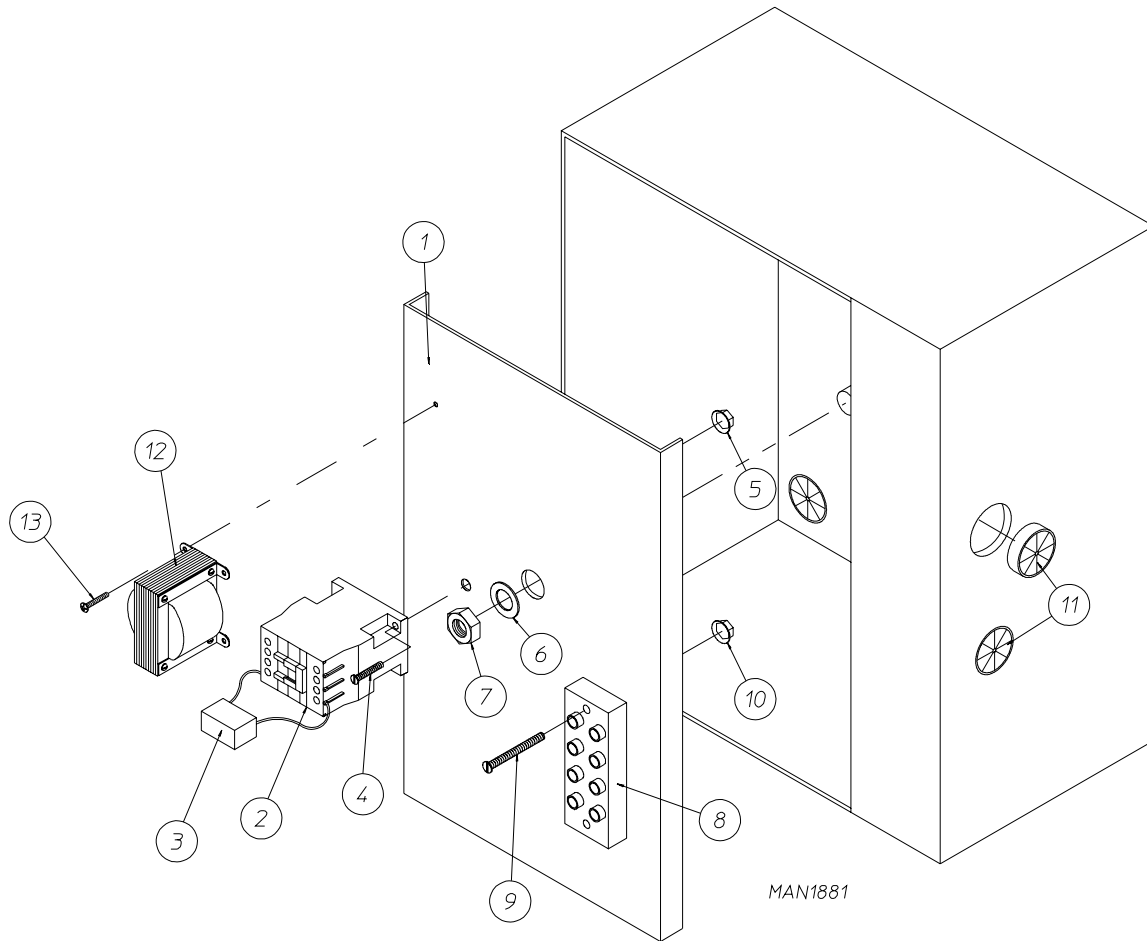
<u>Illus. No.</u>	<u>Part No.</u>	<u>Qty.</u>	<u>Description</u>
1	152013	2	#6-32 Hex Nut
2	801048	1	ADC Direct Spark Ignition Control Module
3	150301	2	#8-18 x 7/16" Phillips Head TEK Screw
4	801711	1	Direct Spark Ignition Module Mounting Plate

Single-Phase (1 ϕ) Motor, Electric Relay Panel Assembly



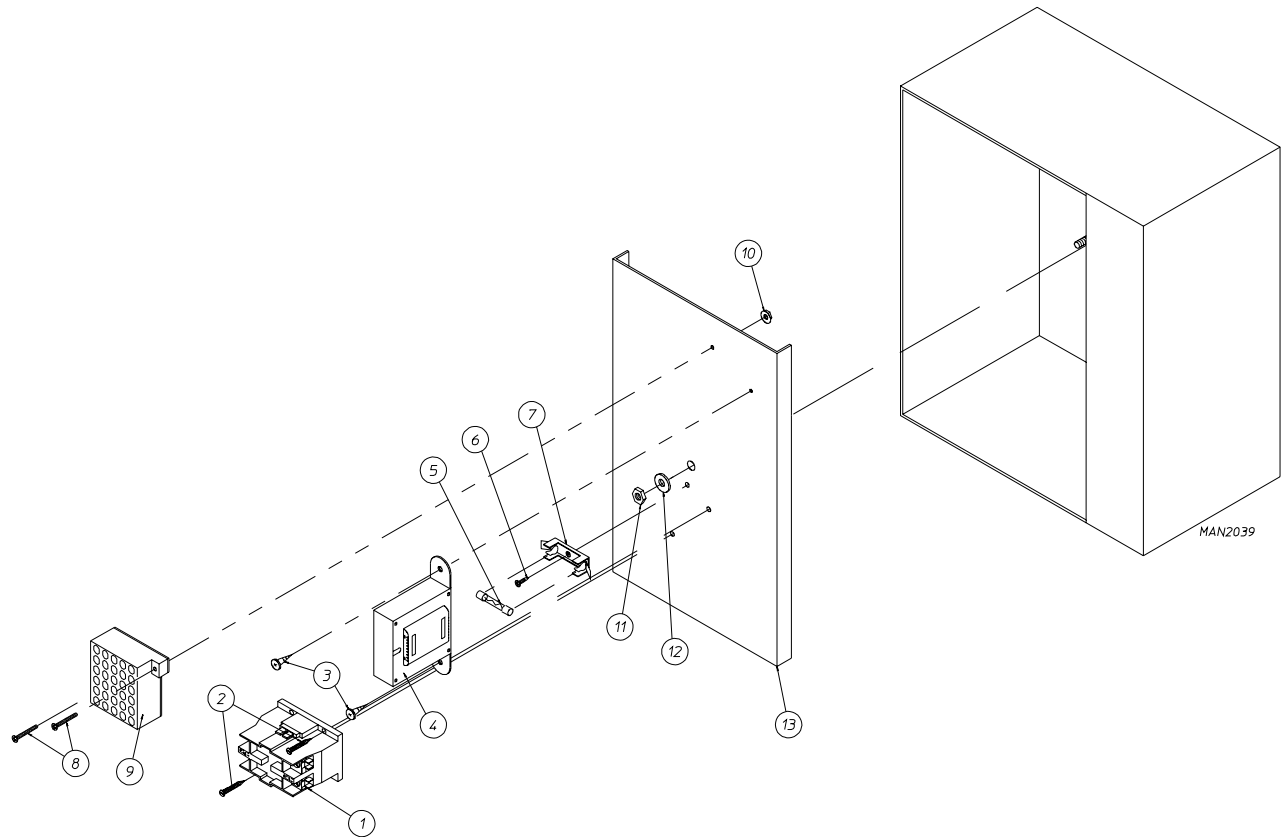
<u>Illus. No.</u>	<u>Part No.</u>	<u>Qty.</u>	<u>Description</u>
1	132475	1	2-Pole Contactor - 24 VAC
2	150299	2	#10 x 1" Hex Head TEK Screw
3	824828	1	RC Network with Connectors (for microprocessor models Only)
-	322809	1	Back Electrical Box Cover...Not Illustrated
-	150301	4	#8-18 x 7/16" Phillips Head TEK Screw...Not Illustrated

3-Phase (3 ϕ) Motor, Electric Relay Panel Assembly



<u>Illus. No.</u>	<u>Part No.</u>	<u>Qty.</u>	<u>Description</u>
1	322812	1	Back Electrical Box Component Mounting Plate
2	132447	1	Impellor Contactor (208/230/240v, 50/60 Hz) 24 VAC
3	137015	1	RC Filter
			(for microprocessor models Only)
4	150103	2	#8-32 x 3/4" Phillips Round Head Machine Screw
5	151001	2	#8-32 Pal Nut
6	153002	1	5/16" Lock Washer
7	152004	1	5/16-18 Hex Nut
8	120701	1	4-Position Terminal Block
9	150008	2	#6-32 x 1-1/4" Slotted Round Head Machine Screw
10	151000	2	#6-32 Pal Nut
11	121300	3	Open/Closed Bushing
12	-----	1	Step-Down Transformer
			(refer to Transformer Usage Listing for Gas/Steam Dryers on page 36)
			(refer to Transformer Usage Listing for Electric Dryers on page 37)
13	150300	2	#10-16 x 1/2" Hex Washer TEK Screw
--	322809	1	Back Electrical Box Cover...Not Illustrated
--	150301	4	#8-18 x 7/16" Phillips Round Head TEK Screw...Not Illustrated

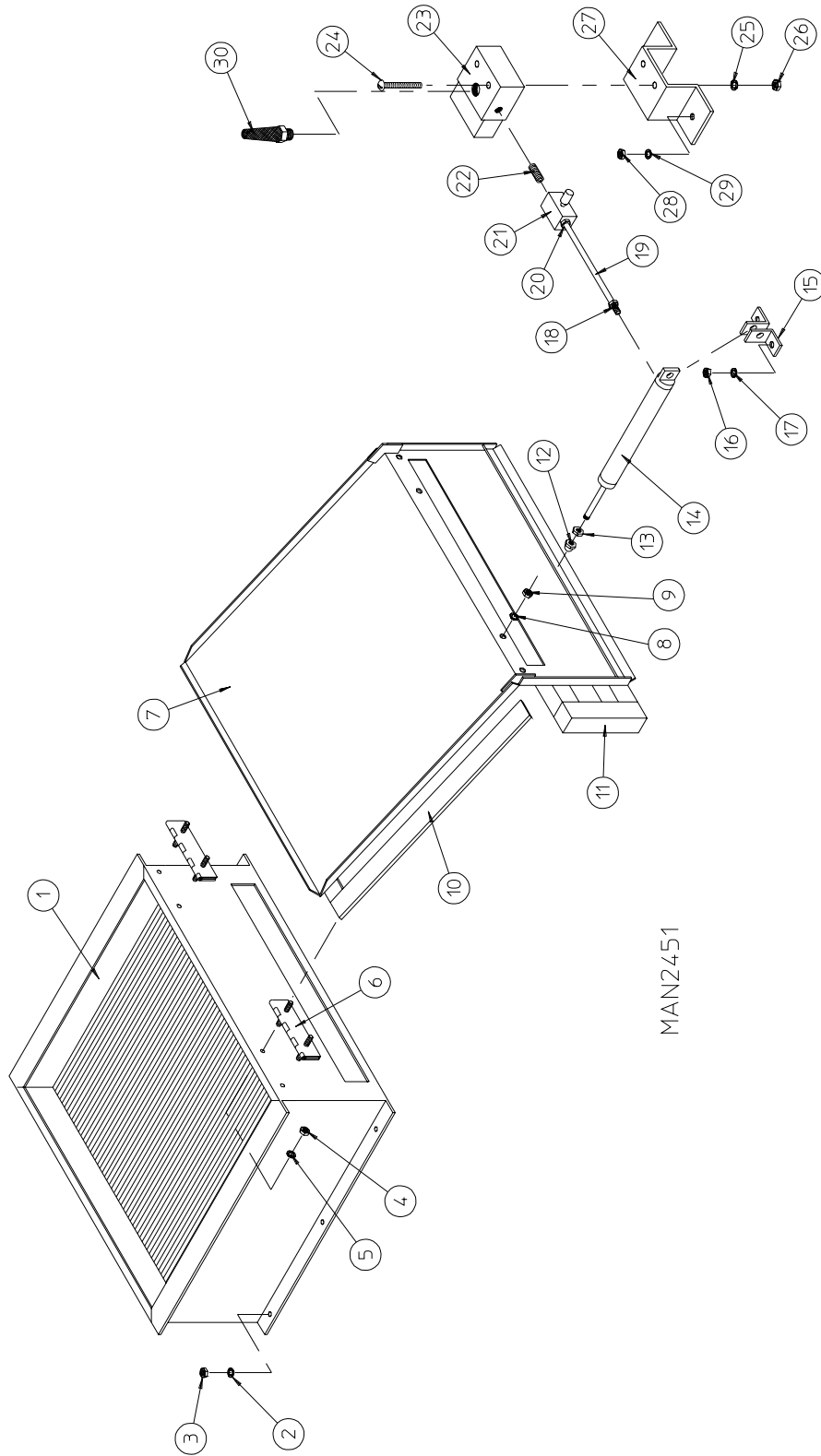
Slide Meter Control Box Assembly



<u>Illus. No.</u>	<u>Part No.</u>	<u>Qty.</u>	<u>Description</u>
1	132475	1	2-Pole Contactor - 24 VAC
2	150299	2	#10 x 1" Hex Head Screw
3	150300	2	#10-16 x 1/2" Hex Head Washer TEK Screw
4	-----	-	24 VAC Transformer (refer to Transformer Usage Listing for Gas/Steam Dryers on page 36) (refer to Transformer Usage Listing for Electric Dryers on page 37)
5	136057	*	1/2-amp (Slo-Blo) Fuse Only
6	150301	*	#8-18 x 7/16" Phillips Pan Head TEK Screw
7	136008	*	Fuse Block/Strip Only
8	150002	2	#6-32 x 1" Round Head Machine Screw
9	120715	1	30-Position Terminal Block Only
10	151000	2	#6-32 Pal Nut
11	153002	1	5/16-18 Lock Washer
12	152004	1	5/16-18 Hex Nut
13	305520	1	Rear Contactor Plate Only
--	322809	1	Back Electrical Box Cover...Not Illustrated
--	150301	4	#8-18 x 7/16" Phillips Pan Head TEK Screw...Not Illustrated

* As required.

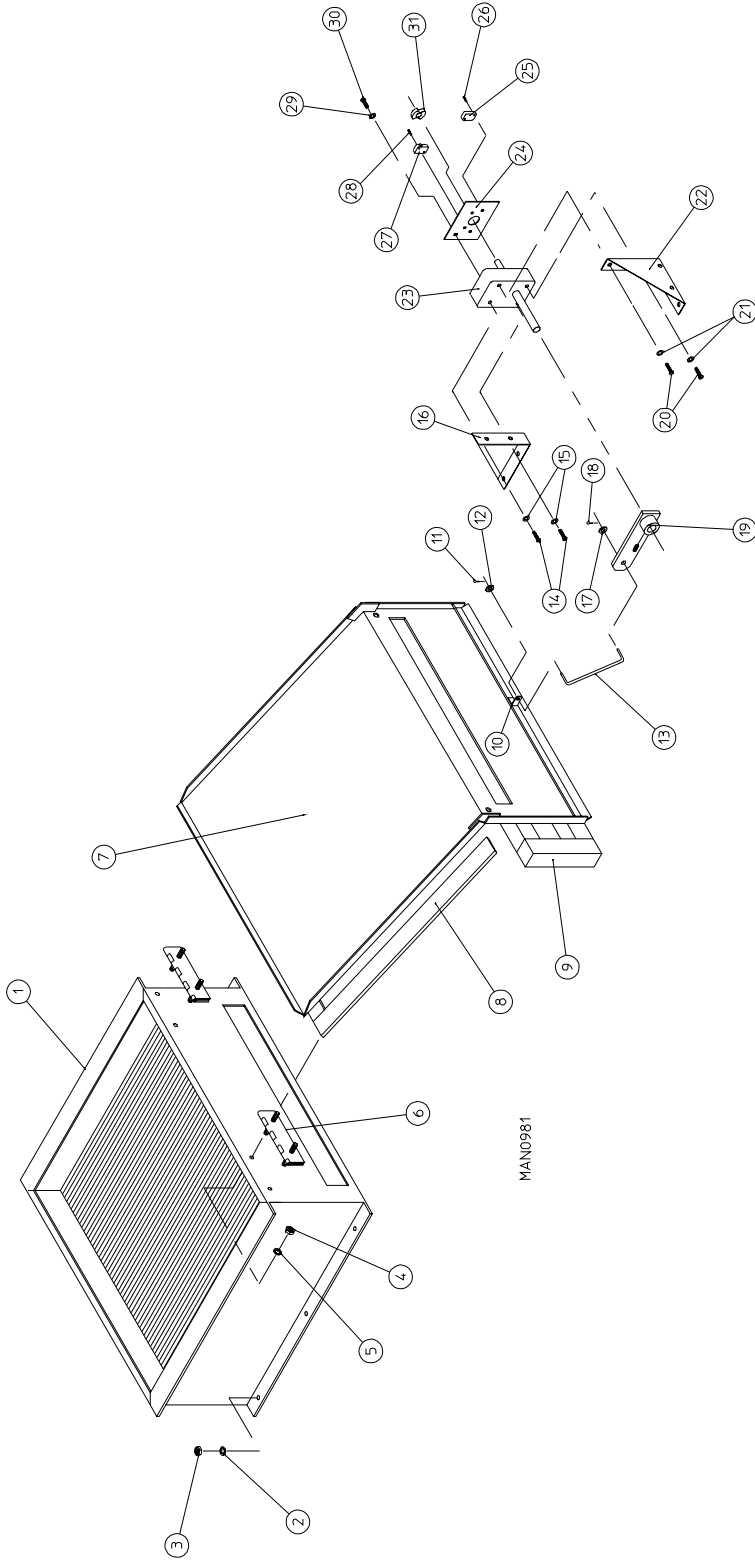
Steam Coil/Air-Operated Steam Damper Assembly



Steam Coil/Air-Operated Steam Damper Assembly

<u>Illus. No.</u>	<u>Part No.</u>	<u>Qty.</u>	<u>Description</u>
1	165013	1	Steam Coil Assembly
2	153002	6	5/16" Lock Washer
3	152004	6	5/16-18 Hex Nut
4	152002	4	1/4-20 Hex Nut
5	153007	4	1/4" Lock Washer
6	820321	2	Steam Damper Hinge Assembly
7	880834	1	Steam Damper Assembly (includes illus. nos. 7, 10, and 11)
8	153007	4	1/4" Lock Washer
9	152002	4	1/4-20 Hex Nut
10	115995	48	Steam Damper Gasket (sold by the inch)
11	102350	1	Steam Damper Foam (68-1/2" length)
12	151006	1	5/16-24 Stainless Steel Acorn Nut
13	152051	1	5/16-24 Right Hand Jam Nut
14	100495	1	1-1/16" Diameter x 3" Stroke Piston
15	323365	2	Left and Right Piston Support
16	152002	2	1/4-20 Hex Nut
17	153007	2	1/4" Lock Washer
18	100472	1	1/4" Poly x 1/8" M.P.T. Connector
19	143110	1	1/4" Poly-Flo Tubing
20	100472	1	1/4" Poly x 1/8" M.P.T. Connector
21	100496	1	1/8" Needle Valve
22	143238	1	1/8" Brass Close Nipple
23	100498	1	3-Way Micro Valve - 24 VAC
24	150002	2	#6-32 x 1" Machine Bolt
25	153010	2	#6 Star Washer
26	152000	2	#6-32 Hex Nut
27	330987	1	Micro Valve Support
28	152002	2	1/4-20 Hex Nut
29	153007	2	1/4" Lock Washer
30	100520	1	1/8" N.P.T. Silencer (muffler) #N-25

Steam Coil/Mechanical Steam Damper Assembly

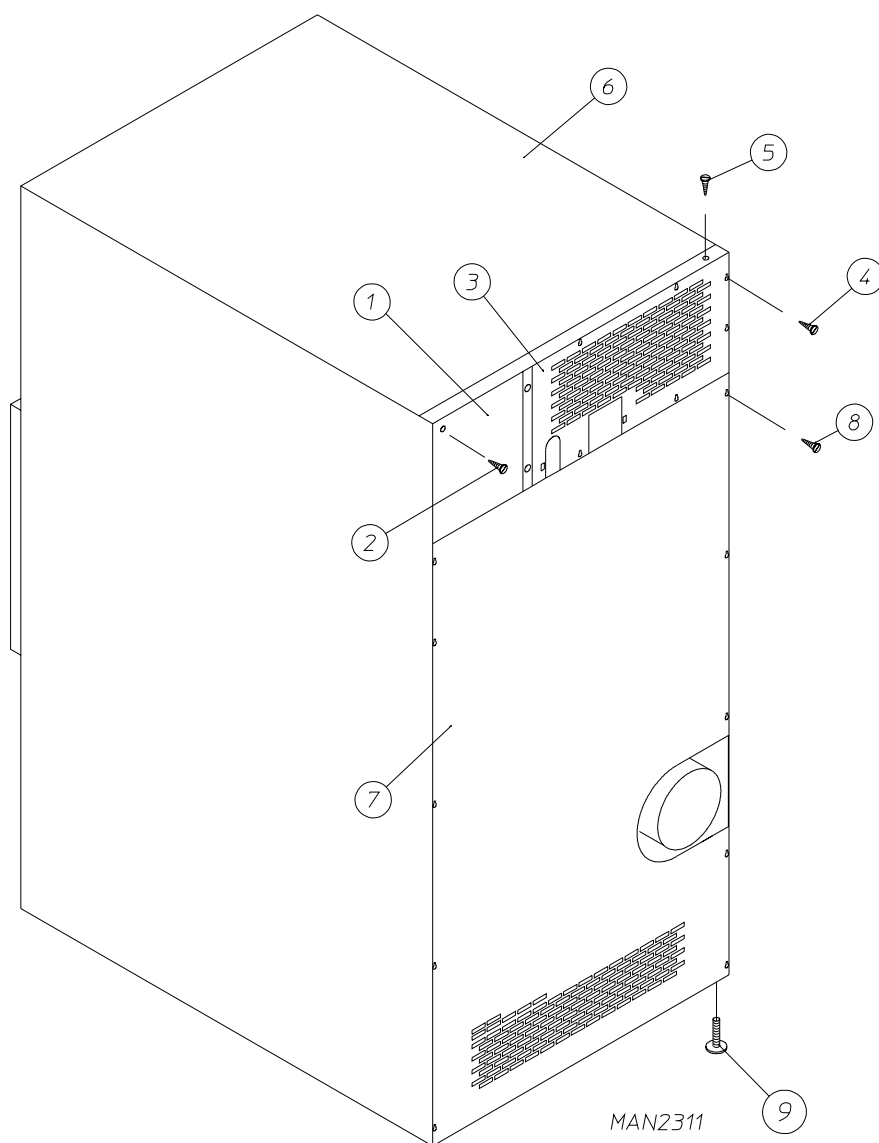


Steam Coil/Mechanical Steam Damper Assembly

<u>Illus. No.</u>	<u>Part No.</u>	<u>Qty.</u>	<u>Description</u>
1	165013	1	Steam Coil Assembly Only
2	153002	6	5/16" Lock Washer
3	152004	6	5/16-18 Hex Nut
4	152002	4	1/4-20 Hex Nut
5	153007	4	1/4" Lock Washer
6	820321	2	Steam Damper Hinge Assembly
7	880835	1	Steam Damper Assembly (includes illus. nos. 7, 10, and 11)
8	115995	48	Steam Damper Gasket (sold by the inch)
9	102350	1	Steam Damper Foam (68-1/2" - length)
10	309300	1	Rod Bracket
11	154300	1	1/2" x 3/32" Cotter Pin
12	153022	1	#10 Flat Washer
13	104052	1	Mechanical Steam Damper Actuator Rod
14	150110	2	#8-32 x 1/4" Phillips Head Machine Screw
15	153012	2	#8 Star Washer
16	312315	1	Mechanical Steam Damper Motor Mount
17	153022	1	#10 Flat Washer
18	154300	1	1/2" x 3/32" Cotter Pin
19	850268	1	Mechanical Steam Damper Arm
20	150110	2	#8-32 x 1/4" Phillips Head Machine Screw
21	153012	2	#8 Star Washer
22	312315	1	Mechanical Steam Damper Motor Mount
23	104054	1	Mechanical Steam Damper Motor
24	100511	1	Mechanical Steam Damper Switch Plate
25	122120	1	Mechanical Steam Damper Switch
26	150026	2	#4-40 x 5/8" Phillips Pan Head Machine Screw
27	122120	1	Mechanical Steam Damper Switch
28	150026	2	#4-40 x 5/8" Phillips Pan Head Machine Screw
29	153012	2	#8 Star Washer
30	150102	2	#8-32 x 3/8" Pan Head Machine Screw
31	-----*	1	Mechanical Steam Damper Motor Cam

* The mechanical steam damper motor cam is part of the mechanical steam damper motor.

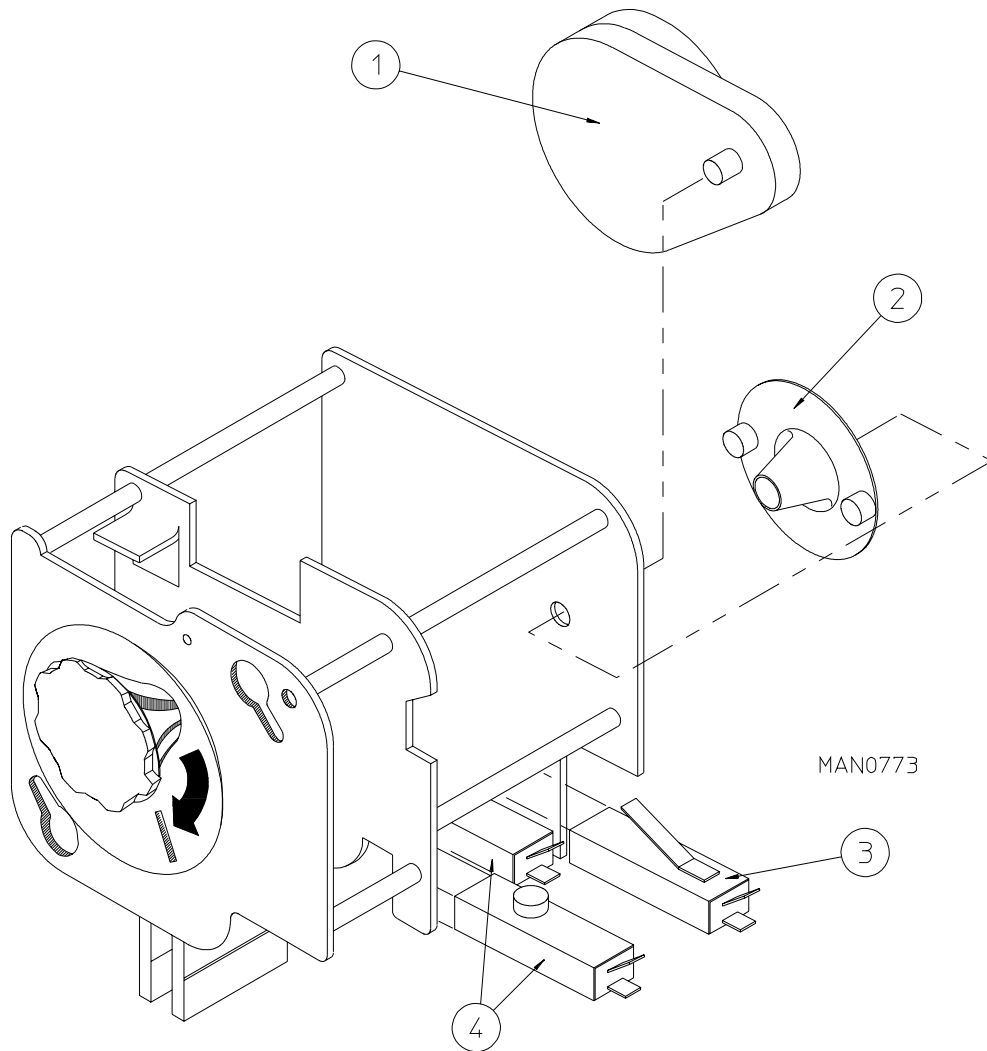
Outer Top/Back Guard Assembly



<u>Illus. No.</u>	<u>Part No.</u>	<u>Qty.</u>	<u>Description</u>
1	322809	1	Back Electrical Box Cover
2	150301	4	#8-18 x 7/16" Phillips Pan Head TEK Screw
3*	330076	1	Top Back Guard
4	150301	7	#8-18 x 7/16" Phillips Pan Head TEK Screw
5	150301	10	#8-18 x 7/16" Phillips Pan Head TEK Screw
6*	312532	1	Outer Top
7	330086	1	"Plain" Bottom Back Guard
8	150301	13	#8-18 x 7/16" Phillips Pan Head TEK Screw
9	103500	4	Leveling Leg

* There is no top back guard or outer top on steam models.

Coin Meter Replacement Parts



<u>Illus. No.</u>	<u>Part No.</u>	<u>Qty.</u>	<u>Description</u>
1	125541	1	1/60 RPM 24 VAC/60 Hz Meter Motor
	125540	1	1/30 RPM 24 VAC/50 Hz Meter Motor
2	125500	1	2-Point Cam
	125501	1	3-Point Cam
	125502	1	4-Point Cam
	125503	1	5-Point Cam
	125504	1	6-Point Cam
	125506	1	8-Point Cam
	125507	1	9-Point Cam
	125508	1	10-Point Cam
	125510	1	12-Point Cam
	3	125515	1
4	125516	2	Meter Switch "A" or "C"

Transformer Usage Listing for Gas/Steam Dryers

HEAT	VOLTAGE	WIRE SERVICE	STEP DOWN TRANSFORMER PART. NO.	CONTROL VOLTAGE PART NO.
<i>GAS</i> <i>STEAM</i>	208-240	3 or 4	-----	141403
	380	3	132059	141403
	380	4	132059	141403
	416	3	132062	141403
	416	4	132062	141403
	460/480	3	132053	141403
	460/480	4	132053	141403
	575	3	132050	141403

Transformer Usage Listing for Electric Dryers

KW	VOLTAGE	PHASE	WIRE	STEP DOWN TRANSFORMER PART NO.	CONTROL VOLTAGE TRANSFORMER PART NO.
18	208	3ø	3	-----	132070
18	208	1ø	2	-----	132063
18	240	3ø	3	-----	141403
18	416	3ø	4	-----	132082
18	460/480	3ø	3	132053	141403
15	208	3ø	3 or 4	-----	141403
15	208	1ø	2	-----	132063
15	380	3ø	4	-----	132082
15	400	3ø	4	-----	132082
12	208	3ø	3	-----	141403
12	240	3ø	3	-----	141403
12	240	1ø	2	-----	132070
12	380	3ø	4	-----	132082
11	400	3ø	4	-----	132082

Electric Oven Component Application Chart

KW	VOLTAGE	PHASE	WIRE	OVEN ASSEMBLY	ELEMENT			OVEN WIRE			TERMINAL LUG		BUS BAR P/N: 121011	OVEN RELAY	
					QTY	KW	PART NO.	QTY	SIZE	PART NO.	QTY	PART NO.		CAT. NO.	PART NO.
18	460/480	3ø	3 or 4	883597	6	3	120007	1	#8	882559	1	121010	2	DPA33	131352
18	416	3ø	4	826389	6	3	120007	1	#8	882558	1	121010	1	DPA33	131352
18	240	3ø	3	883542	6	3	120007	1	#8	882558	1	121010	2	DPA43	131357
18	208	3ø	3 or 4	824914	6	3	120006	1	#6	882556	1	121010	2	DPA53	131359
18	208	1ø	2	883546	6	3	120006	1	#2	883384	1	121010	2	DPA93	131358
15	380	3ø	4	826389	6	3	120007	1	#8	882558	1	121010	1	DPA33	131352
15	208	1ø	2	883547	5	3	120006	1	#4	883385	1	121010	1	DPA73	131376
12	240	3ø	3	883543	3	4	120009	1	#8	882558	1	121010	2	DPA33	131352
12	240	1ø	2	883545	4	3	120007	1	#6	883548	1	121010	1	DPA53	131359
12	208	3ø	3 or 4	883544	3	4	120008	1	#8	882558	1	121010	1	DPA33	131352
11	400	3ø	4	826401	6	2	120004	1	#8	882558	1	121010	1	DPA33	131352

