



# AD-170 Parts Manual Phase 5

For Models Mfd. prior to October 7, 1994

---

**American Dryer Corporation**  
88 Currant Road  
Fall River, MA 02720-4781  
Telephone: (508) 678-9000 / Fax: (508) 678-9447  
E-mail: [techsupport@amdry.com](mailto:techsupport@amdry.com)

[www.amdry.com](http://www.amdry.com)

# Retain This Manual In A Safe Place For Future Reference

American Dryer Corporation products embody advanced concepts in engineering, design, and safety. If this product is properly maintained, it will provide many years of safe, efficient, and trouble free operation.

**ONLY qualified technicians should service this equipment.**

**OBSERVE ALL SAFETY PRECAUTIONS** displayed on the equipment or specified in the installation manual included with the dryer.

The following “**FOR YOUR SAFETY**” caution must be posted near the dryer in a prominent location.

## FOR YOUR SAFETY

Do not store or use gasoline or other flammable vapors and liquids in the vicinity of this or any other appliance.

## POUR VOTRE SÉCURITÉ

Ne pas entreposer ni utiliser d'essence ni d'autres vapeurs ou liquides inflammables à proximité de cet appareil ou de tout autre appareil.

We have tried to make this manual as complete as possible and hope you will find it useful. ADC reserves the right to make changes from time to time, without notice or obligation, in prices, specifications, colors, and material, and to change or discontinue models.

## Important

For your convenience, log the following information:

DATE OF PURCHASE \_\_\_\_\_ MODEL NO. **AD-170**  
RESELLER'S NAME \_\_\_\_\_  
Serial Number(s) \_\_\_\_\_  
\_\_\_\_\_  
\_\_\_\_\_

Replacement parts can be obtained from your reseller or the ADC factory. When ordering replacement parts from the factory, you can FAX your order to ADC at (508) 678-9447 or telephone your order directly to the ADC Parts Department at (508) 678-9000. Please specify the dryer model number and serial number in addition to the description and part number, so that your order is processed accurately and promptly.

The illustrations on the following pages may not depict your particular dryer exactly. The illustrations are a composite of the various dryer models. Be sure to check the descriptions of the parts thoroughly before ordering.

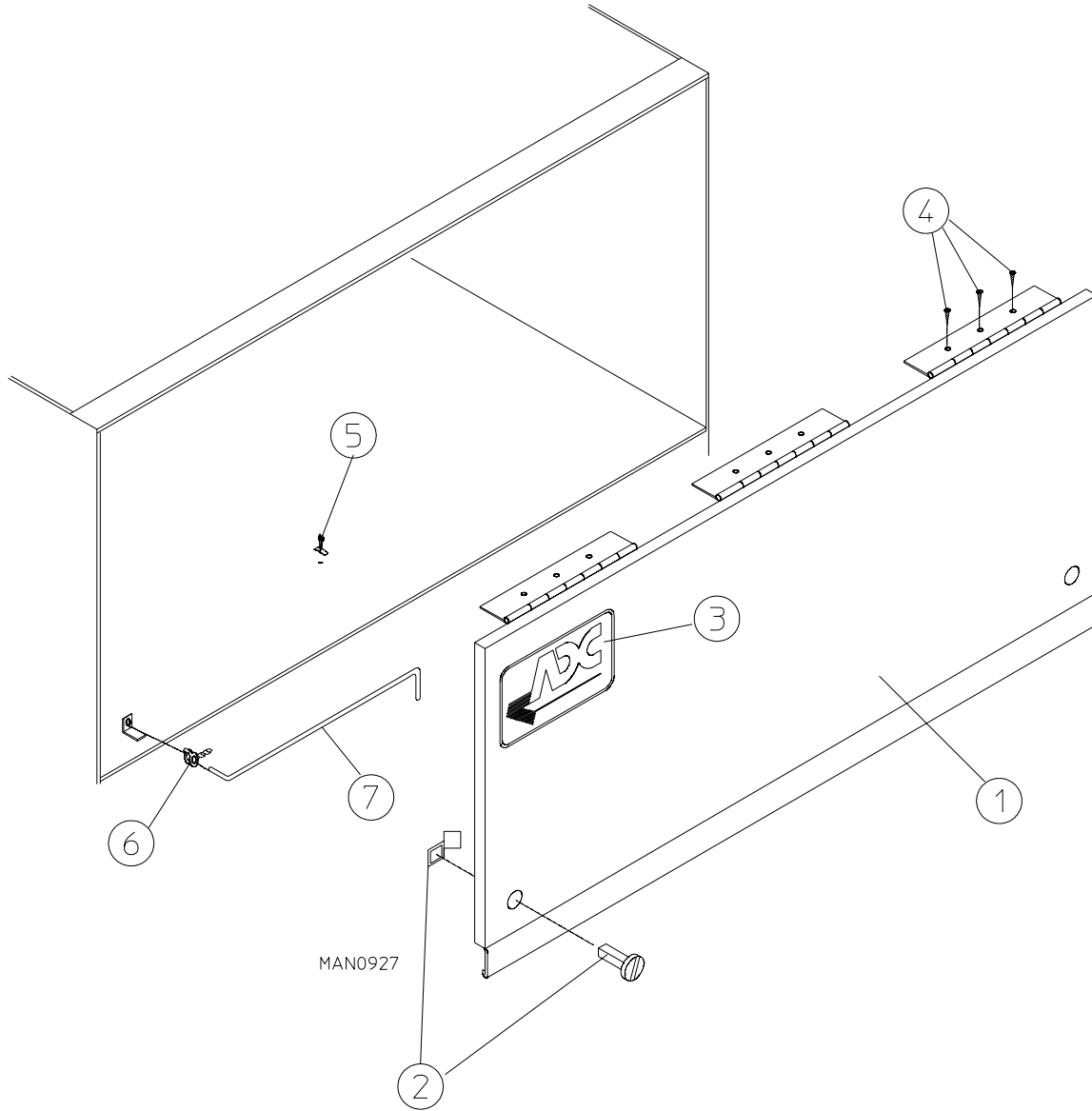
### **“IMPORTANT NOTE TO PURCHASER”**

Information must be obtained from your local gas supplier on the instructions to be followed if the user smells gas. These instructions must be posted in a prominent location near the dryer.

# Table of Contents

|  |    |
|--|----|
| Control Door Assembly .....  | 4  |
| Microprocessor Control Panel Assembly .....  | 5  |
| Single Timer Control Panel Assembly .....  | 6  |
| Control Box Assembly .....   | 7  |
| Front Panel / Main Door Assemblies .....   | 8  |
| Main Door Switch Assembly .....  | 10 |
| Drop Lint Door Assembly .....  | 11 |
| Lint Drawer / Lint Drawer Switch Box Assemblies .....  | 12 |
| Tumbler / Support Assemblies .....   | 13 |
| Tumbler Bearing Mount Assembly .....   | 14 |
| Idler Bearing Mount Assembly .....   | 15 |
| Totally Enclosed, Fan-Cooled Tumbler Motor Mount Assembly .....                              | 16 |
| Blower Motor Mount Assembly for 60 Hz Gas Models ONLY .....                                  | 17 |
| Blower Motor, Fan, and Shaft Assembly for 60 Hz Steam Models and 50 Hz Gas Models ONLY ..... | 18 |
| Blower Motor, Fan, and Shaft Assembly for 50 Hz Steam Models ONLY .....                      | 20 |
| Direct Spark Ignition Burner Assembly for Gas Models ONLY .....                              | 22 |
| Steam Damper Assembly .....  | 24 |
| Microprocessor Temperature Sensor Bracket Assembly .....                                     | 25 |
| Timer Temperature Sensor Bracket Assembly .....  | 26 |
| Direct Spark Ignition Module Mount Assembly for Gas Models ONLY .....                        | 27 |
| Sail Switch Assembly .....   | 28 |
| Microprocessor Reversing Control Box Assembly .....  | 29 |
| Timer Reversing Control Box Assembly .....   | 30 |
| Back Guard Assembly .....  | 31 |
| Additional Parts Available .....   | 32 |

# Control Door Assembly

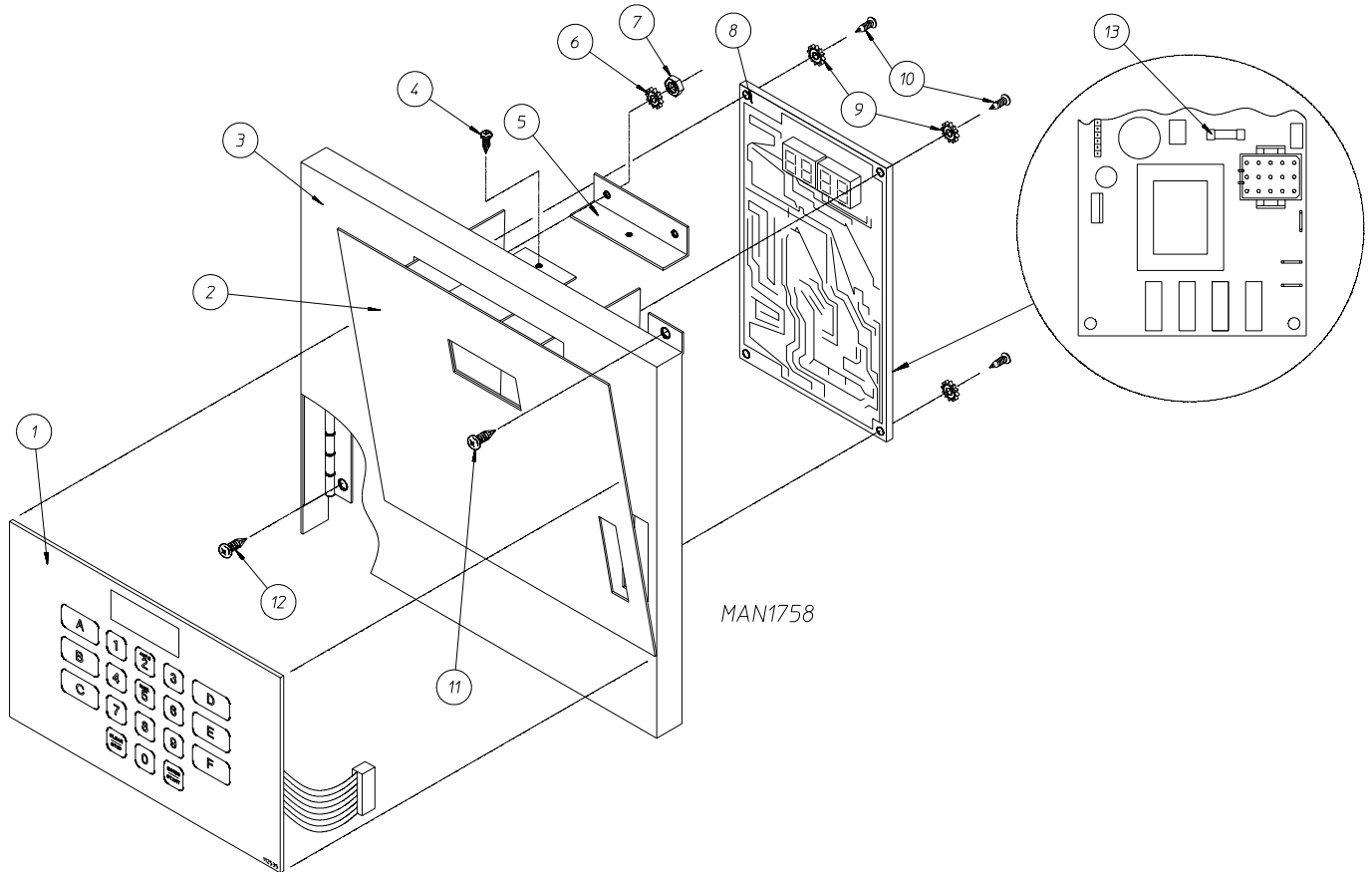


| Illus. No. | Part No. | Qty. | Description                                      |
|------------|----------|------|--|
| 1*         | 820944   | 1    | Control Door Assembly ONLY (for Gas Models Only) |
|            | 820963   | 1    | Short Control Door ONLY (for Steam Models Only)  |
| 2          | 160005   | 2    | Spring Turn Latch (2-piece)                      |
| 3          | 112360** | 1    | ADC Logo ONLY                                    |
|            | 870011   | 1    | Logo Double Tape Kit                             |
| 4          | 150415   | 9    | #10-16 x 1/2" Phillips Round Head Crimpite Screw |
| 5          | 102600   | 1    | Control Door Support Rod Catch                   |
| 6          | 102601   | 1    | Control Door Rod Retainer Clip                   |
| 7          | 102505   | 1    | Control Door Support Rod                         |

\* Specify color when ordering.

\*\* Logo tape kit not included and must be ordered separately.

# Microprocessor Control Panel Assembly

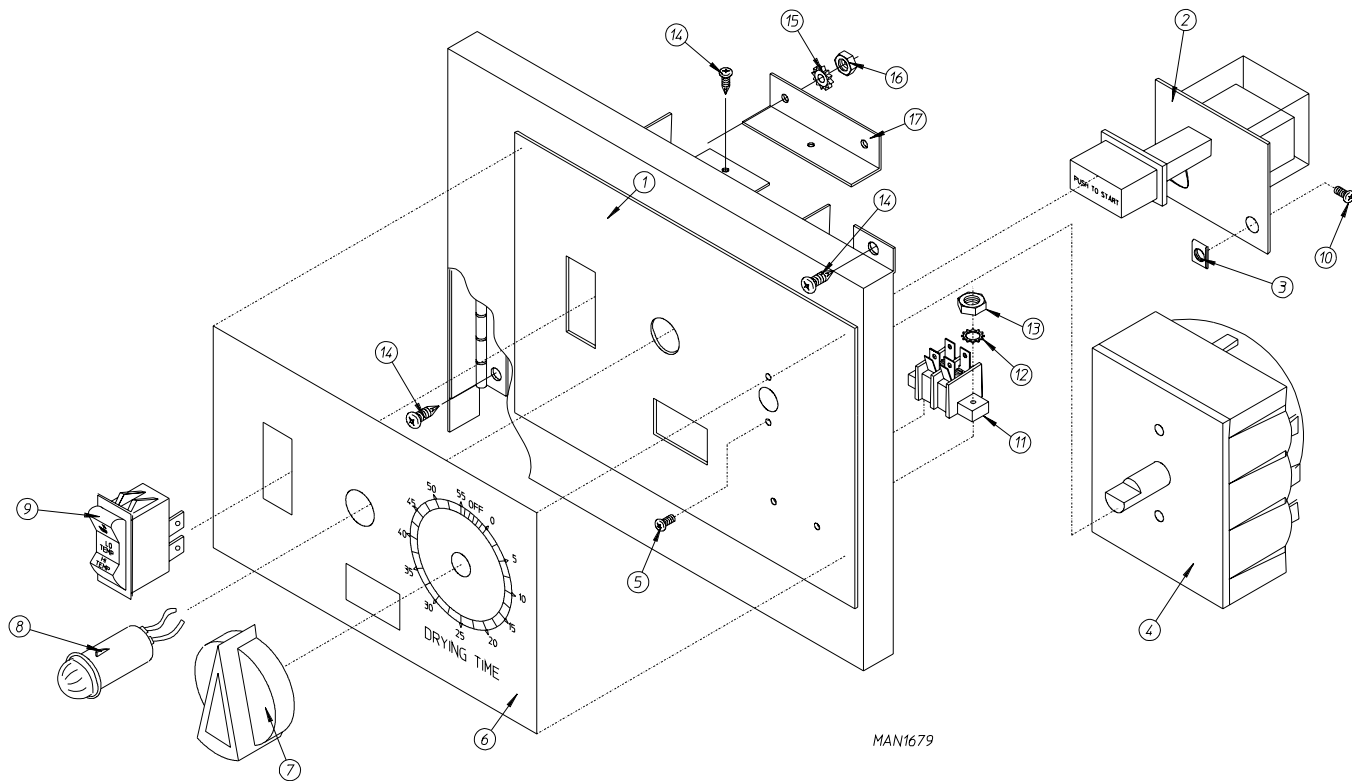


MAN1758

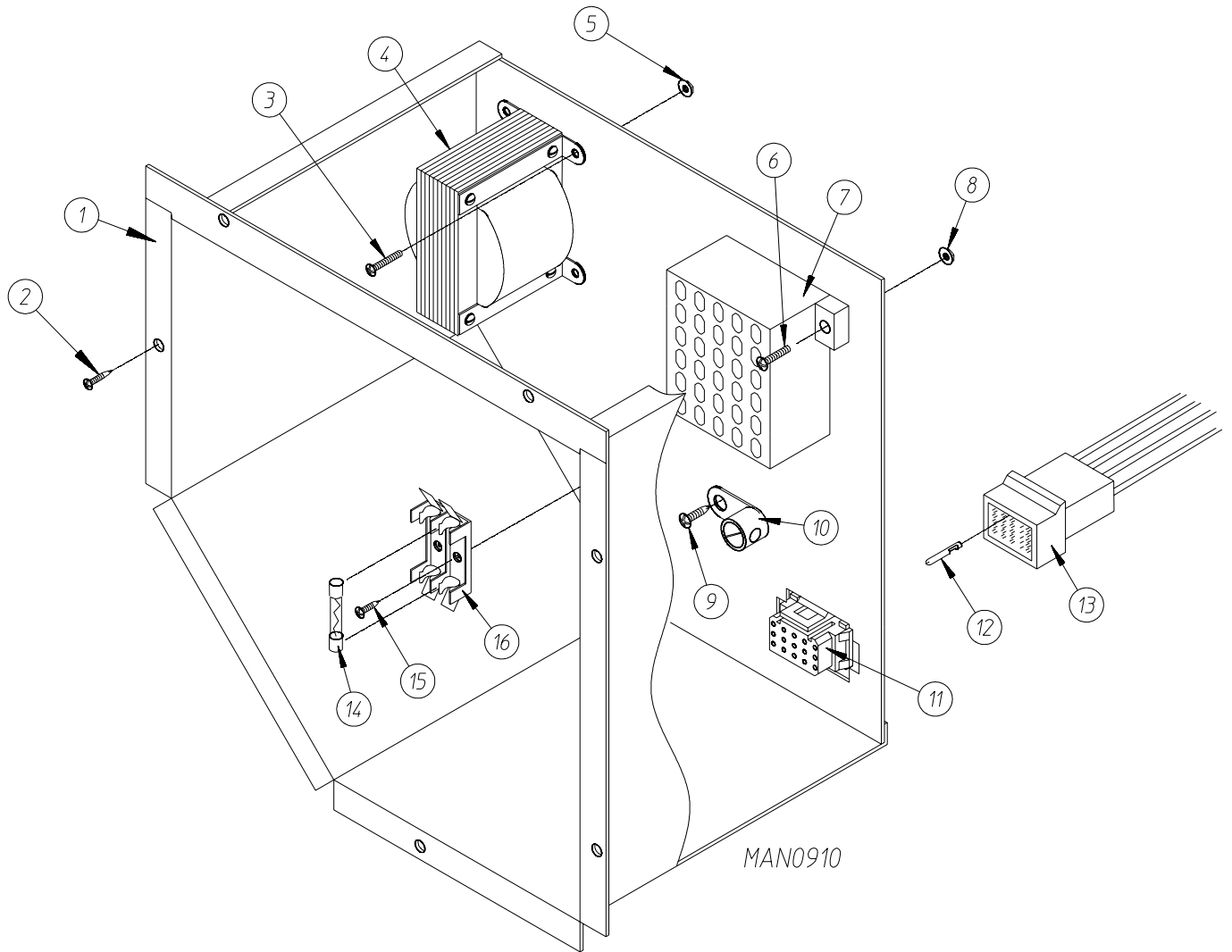
| Illus. No. | Part No. | Qty. | Description  |
|------------|----------|------|--|
| 1          | 112535   | 1    | Non-Coin English Keypad Label Assembly   |
|            | 112276   | 1    | Non-Coin Stick-On Labels<br>(English Only) ... Not Illustrated   |
|            | 112275   | 1    | Non-Coin Stick-On Labels<br>(Spanish, Italian, and Hebrew) ... Not Illustrated                           |
|            | 112277   | 1    | 3-Language Non-Coin Stick-On Labels<br>(English, Spanish, and Hebrew) ... Not Illustrated                |
|            | 112278   | 1    | 5-Language Non-Coin Stick-On Labels<br>(Italian, Dutch, French, German, and Chinese) ... Not Illustrated |
| 2          | 820935   | 1    | Swing Out Computer Drawer Complete<br>(includes illus. nos. 1 through 10 and 13)                         |
| 3          | 820912   | 1    | Control Box Door   |
| 4          | 150000   | 1    | #6-32 x 1/4" Slotted Round Head Screw  |
| 5          | 332200   | 1    | Computer Drawer Angle  |
| 6          | 153010   | 2    | #6 Star Washer   |
| 7          | 152010   | 2    | #6-32 Hex Nut  |
| 8          | 137231   | 1    | Phase 5 Non-Coin Reversing Microprocessor Controller ONLY  |
| 9          | 153010   | 4    | #6 Star Washer   |
| 10         | 150005   | 4    | #6-32 x 1/4" Phillips Round Head Machine Screw   |
| 11         | 150000   | 1    | #6-32 x 1/4" Slotted Round Head Machine Screw  |
| 12         | 150000   | 3    | #6-32 x 1/4" Slotted Round Head Machine Screw  |
| 13         | 136048   | 1    | 1/8-Amp (Slo-Blow) Fuse  |

IMPORTANT: Check label on computer chip to verify correct part number.

# Single Timer Control Panel Assembly

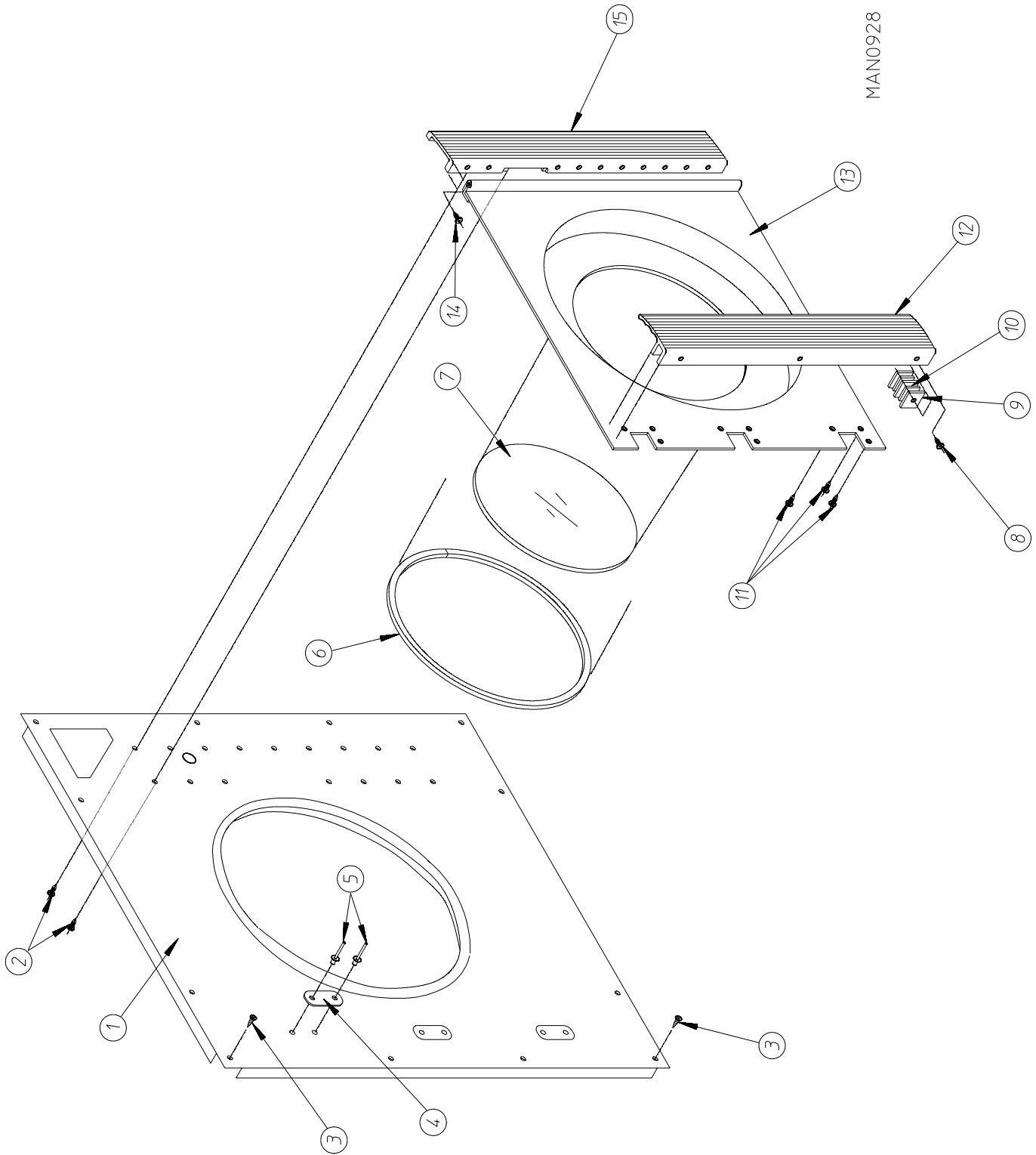


| Illus. No. | Part No. | Qty. | Description   |
|------------|----------|------|---|
| 1          | 880940   | 1    | Single Timer Control Panel Assembly Complete<br>(includes illus. nos. 1 through 17) |
|            | 821015   | 1    | Single Timer Control Panel ONLY   |
| 2          | 131917   | 1    | Push-to-Start Relay – 24 VAC  |
| 3          | 154001   | 2    | #10-24 Speed Nut  |
| 4          | 124025   | 1    | 60 Minute Timer – 24 VAC  |
| 5          | 150110   | 2    | #8-32 x 1/4" Phillips Round Head Screw  |
| 6          | 112048   | 1    | Single Timer Label  |
| 7          | 124103   | 1    | Arrow Timer Knob  |
| 8          | 123005   | 1    | Red Light Indicator – 24 VAC  |
| 9          | 122400   | 1    | Rocker Heat Selector Switch   |
| 10         | 150207   | 2    | #10-24 x 1/2" Round Head Machine Screw  |
| 11         | 120707   | 1    | Terminal Strip  |
| 12         | 153010   | 2    | #6 Star Washer  |
| 13         | 152000   | 2    | #6-32 Hex Nut   |
| 14         | 150301   | 5    | #8-18 x 7/16" Phillips Pan Head TEK Screw   |
| 15         | 153012   | 2    | #8 Star Washer  |
| 16         | 152001   | 2    | #8-32 Hex Nut   |
| 17         | 332257   | 1    | Single Timer Drawer Stop  |



| <u>Illus. No.</u> | <u>Part No.</u> | <u>Qty.</u> | <u>Description</u>   |
|-------------------|-----------------|-------------|--|
| 1                 | 820940          | 1           | Control Box Assembly Complete<br>(includes illus. nos. 1, 2, 6 through 10, 14, 15, and 16) |
| 2                 | 150301          | 6           | #8-32 x 7/16" Phillips Round Head TEK Screw  |
| 3                 | 150100          | 2           | #8-32 x 1/2" Round Head Machine Screw  |
| 4                 | 141403          | 1           | 24 VAC Transformer   |
| 5                 | 151001          | 2           | #8-32 Pal Nut  |
| 6                 | 150002          | 2           | #6-32 x 1" Round Head Machine Screw  |
| 7                 | 120715          | 1           | 30-Position Terminal Block   |
| 8                 | 151000          | 2           | #6-32 Pal Nut  |
| 9                 | 150415          | 1           | #10-16 x 1/2" Phillips Round Head Crimpite Screw   |
| 10                | 121010          | 1           | L-70 Ground Lug  |
| 11                | 122626          | 1           | 15-Pin Socket Connector  |
| 12                | 122704          | 14          | Pin Terminal   |
| 13                | 122625          | 1           | 15-Pin Connector   |
| 14                | 136057          | 2           | 1/2-Amp (Slo-Blo) Fuse   |
| 15                | 150301          | 1           | #8-32 x 7/16" Phillips Round Head TEK Screw  |
| 16                | 136008          | 2           | Fuse Block / Strip   |
| —                 | 122800          | 1           | Microprocessor (female) Pin Extraction Tool  |
| —                 | 122801          | 1           | Pin / Socket Extraction Tool   |

# Front Panel / Main Door Assemblies



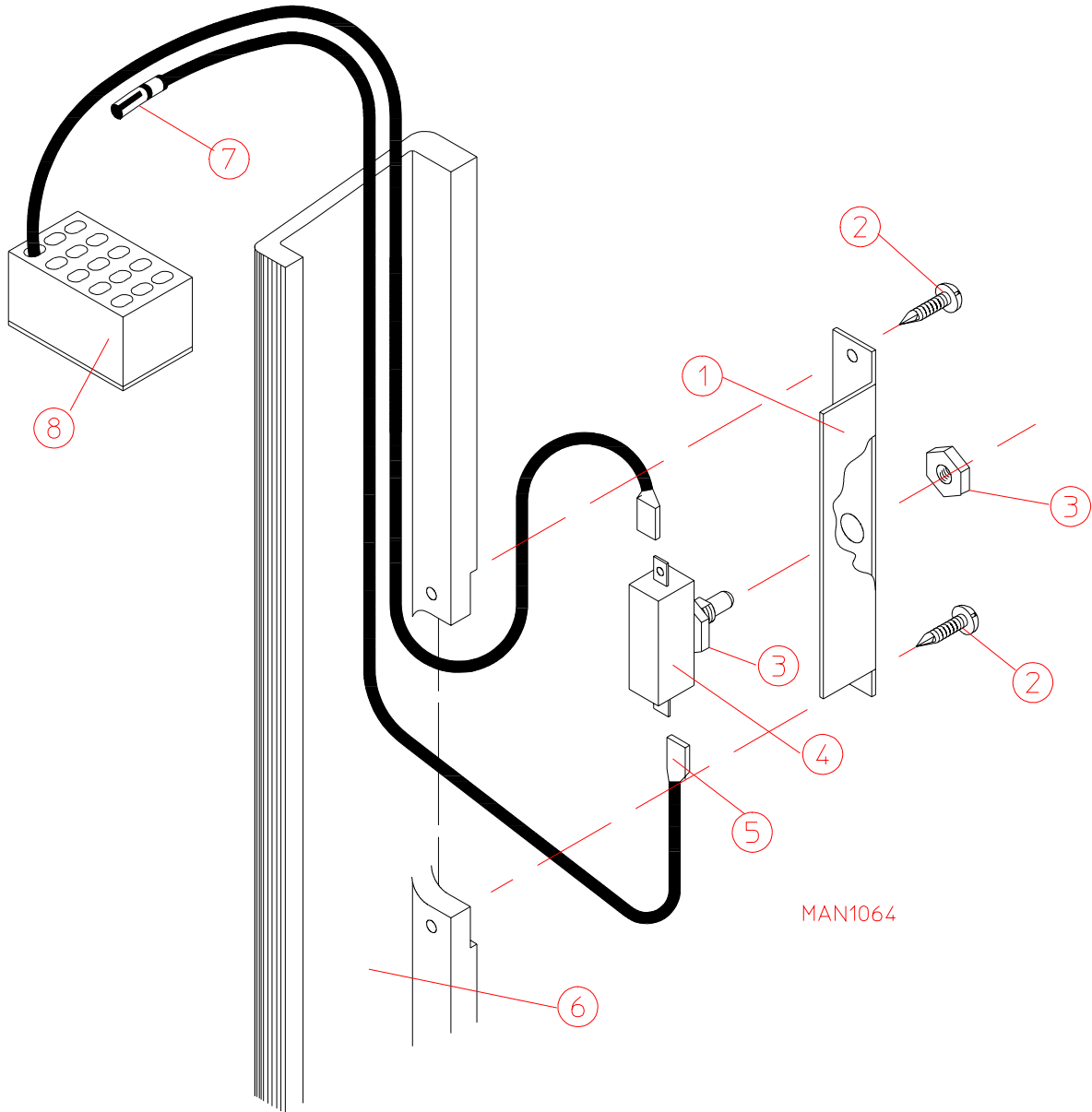


## Front Panel / Main Door Assemblies

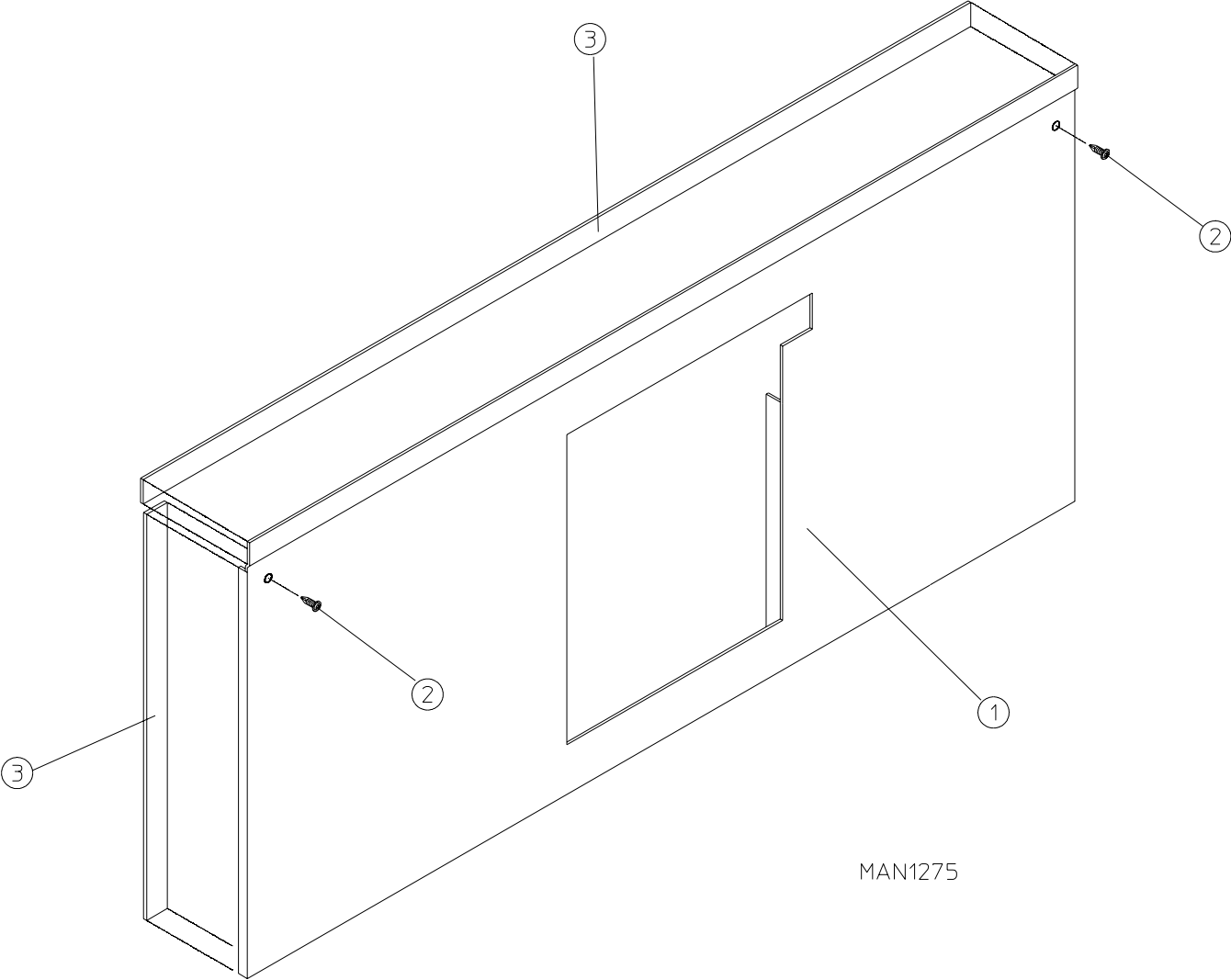
| <u>Illus. No.</u> | <u>Part No.</u> | <u>Qty.</u> | <u>Description</u>  |
|-------------------|-----------------|-------------|---|
| 1*                | 820929          | 1           | Right-Hand Front Panel Assembly<br>(includes illus. nos. 1, 4, and 5)   |
| 2                 | 150415          | 15          | #10-16 x 1/2" Phillips Round Head Crimptite Screw   |
| 3                 | 150412          | 12          | #10-16 x 3/4" Phillips Round Head Crimptite Screw   |
| 4                 | 170340          | 3           | 3-1/2" Stainless Steel Striker Pad  |
| 5                 | 154200          | 6           | 5/32" Pop Rivet   |
| 6                 | 102308          | 1           | Door Gasket ONLY (94" length)   |
| 7                 | 102210          | 1           | 20-7/16" Door Glass ONLY  |
|                   | 170730          | 1           | Door Glass Adhesive (10.3 oz. cartridge)  |
| 8                 | 150401          | 3           | #10-24 x 1-1/4" Phillips Taptite Screw  |
| 9                 | 306801          | 6           | Magnet Keeper ONLY  |
| 10                | 102100          | 6           | 1" x 1" x 1/4" Main Door Magnet ONLY  |
| 11                | 150415          | 9           | #10-16 x 1/2" Phillips Round Head Crimptite Screw   |
| 12                | 180151          | 1           | 35" Granite Main Door Handle ONLY<br>(for models mfd. as of March 8, 1993)  |
|                   | 180150          | 1           | 35" Gray Main Door Handle ONLY<br>(for models mfd. prior to March 8, 1993)  |
| 13                | 800265*         | 1           | Main Door Assembly Complete with Granite Handle<br>(for models mfd. as of March 8, 1993)<br>(includes illus. nos. 6 through 13)                 |
|                   | 800127*         | 1           | Main Door Assembly Complete with Gray Handle<br>(for models mfd. prior to March 8, 1993)<br>(includes illus. nos. 6 through 13)                 |
|                   | 800266          | 1           | Stainless Steel Main Door Assembly Complete with Granite Handle<br>(for models mfd. as of March 8, 1993)<br>(includes illus. nos. 6 through 13) |
|                   | 800128          | 1           | Stainless Steel Main Door Assembly Complete with Gray Handle<br>(for models mfd. prior to March 8, 1993)<br>(includes illus. nos. 6 through 13) |
|                   | 800122*         | 1           | Main Door Assembly with Glass and Gasket ONLY<br>(includes illus. nos. 6, 7, and 13)  |
|                   | 800125          | 1           | Stainless Steel Main Door Assembly with Glass and Gasket ONLY<br>(includes illus. nos. 6, 7, and 13)  |
| 14                | 150430          | 11          | #10 x 1/2" Phillips Self-Drilling Screw   |
| 15                | 180156          | 1           | 35" Granite Main Door Hinge Block ONLY<br>(for models mfd. as of March 8, 1993)   |
|                   | 180155          | 1           | 35" Gray Main Door Hinge Block ONLY<br>(for models mfd. prior to March 8, 1993)   |

\* Specify color when ordering.

# Main Door Switch Assembly



| Illus. No. | Part No. | Qty. | Description  |
|------------|----------|------|--|
| 1          | 313208   | 1    | Door Switch Bracket  |
| 2          | 150415   | 2    | #10-16 x 1/2" Phillips Round Head Crimpite Screw                           |
| 3          | 152003   | 2    | 3/8-32 x 1/2" x 1/16" Door Switch Nut                                      |
| 4          | 136995   | 1    | Door Switch<br>(for models mfd. as of June 26, 1992)                       |
|            | 137006   | 1    | Door Switch<br>(for models mfd. prior to June 26, 1992)                    |
| 5          | 121028   | 2    | 1/4" x .032 Insulated Terminal   |
| 6          | 180156   | 1    | 35" Granite Main Door Hinge Block<br>(for models mfd. as of March 8, 1993) |
|            | 180155   | 1    | 35" Gray Main Door Hinge Block<br>(for models mfd. prior to March 8, 1993) |
| 7          | 122705   | 2    | Socket Mate to Split Pin   |
| 8          | 122626   | 1    | 15-Pin Cap Housing ONLY (M / L)  |

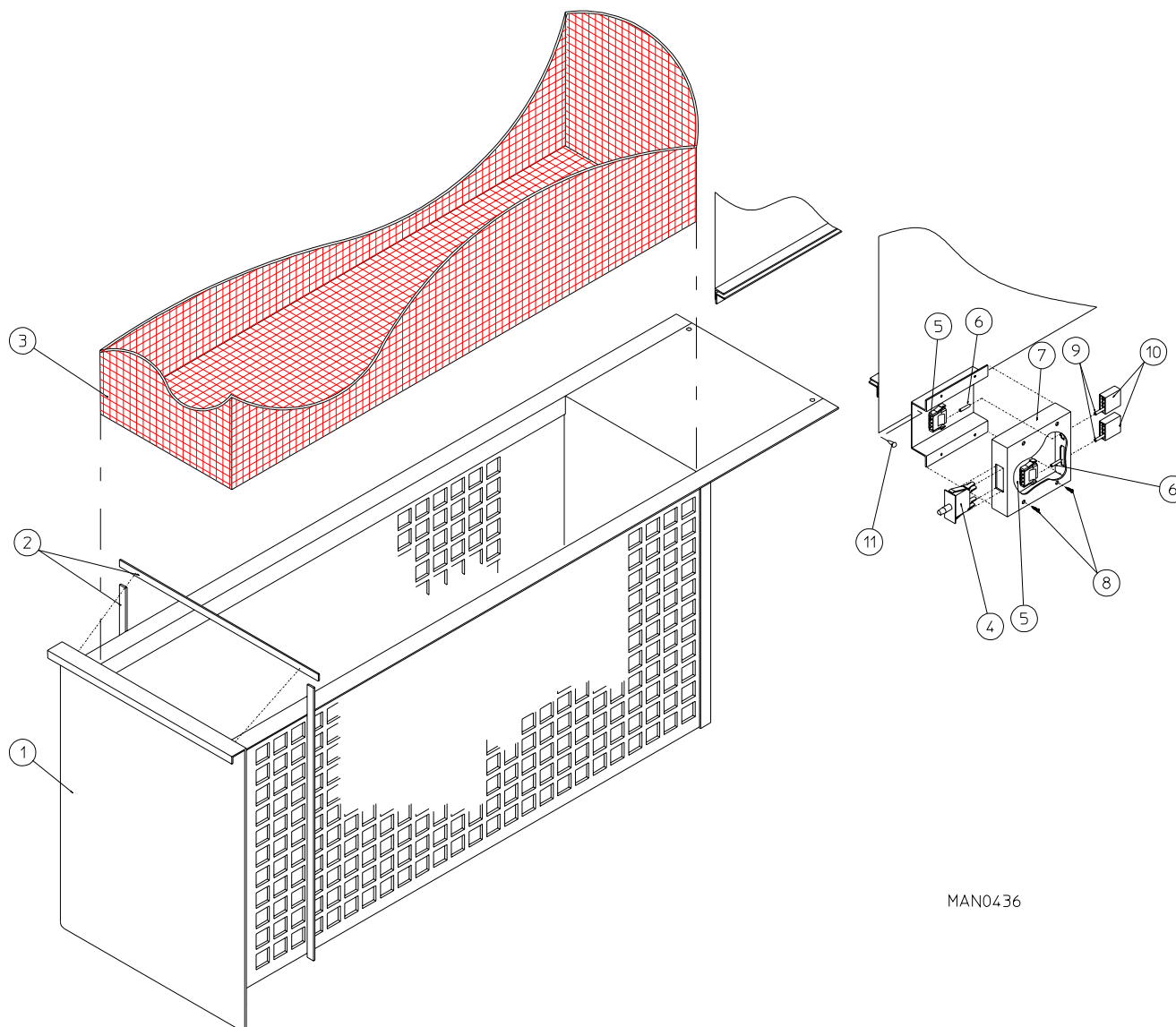


MAN1275

| Illus. No. | Part No. | Qty. | Description   |
|------------|----------|------|---|
| 1*         | 820945   | 1    | Drop Lint Door Assembly<br>(includes illus. nos. 1 and 3) |
| 2          | 150415   | 5    | #10-16 x 1/2" Phillips Round Head Crimptite Screw         |
| 3          | 117600   | 9    | Noise Suppressor Tape (sold by the foot)                  |

\* Specify color when ordering.

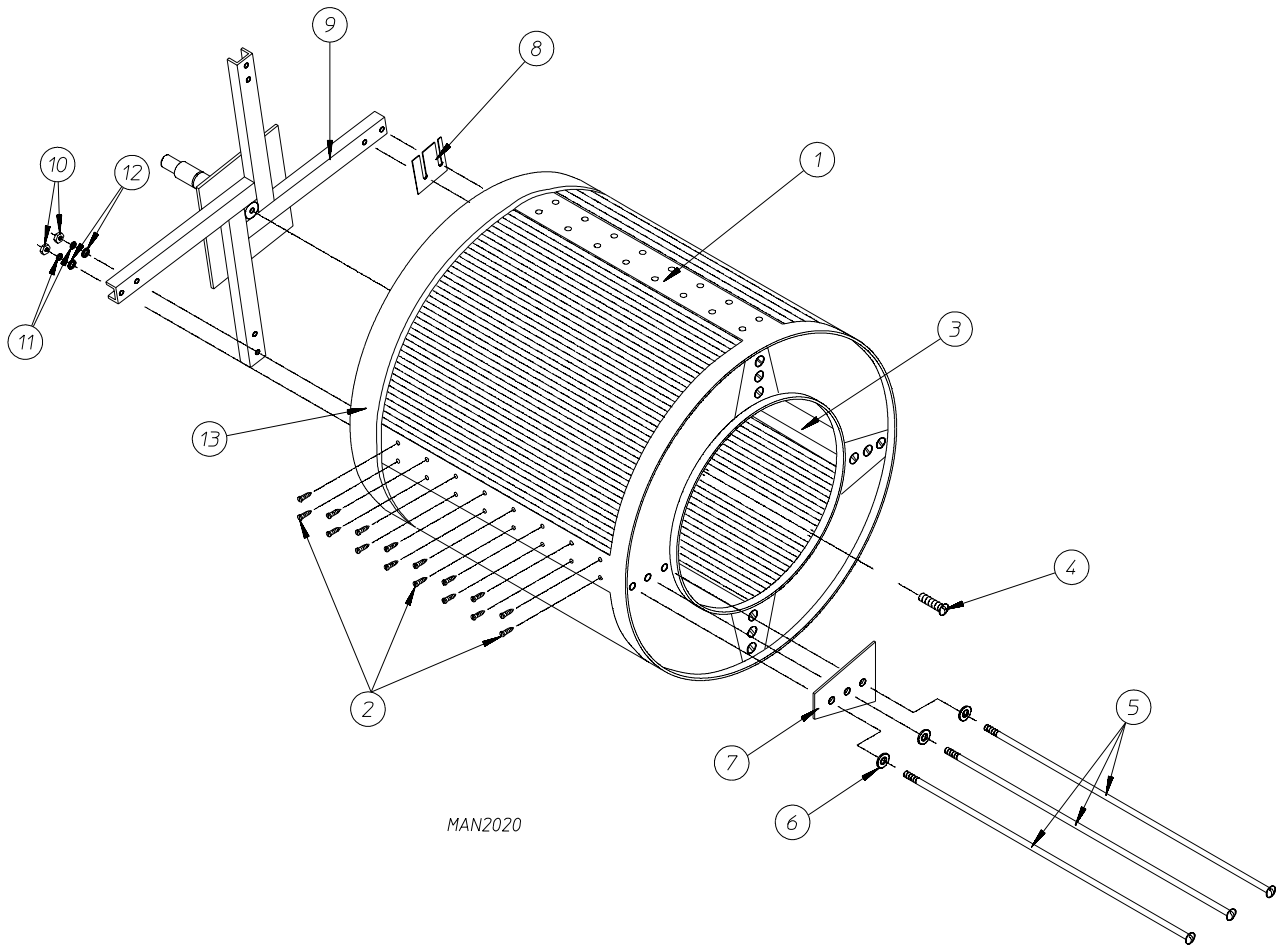
# Lint Drawer / Lint Drawer Switch Box Assemblies



MAN0436

| Illus. No. | Part No. | Qty. | Description  |
|------------|----------|------|--|
| 1*         | 820955   | 1    | Lint Drawer Assembly Complete<br>(includes illus. nos. 1 and 2)                |
| 2          | 117602   | 7    | Noise Suppressor Tape (sold by the foot)                                       |
| 3          | 820925   | 1    | Lint Screen Assembly   |
| 4          | 122116   | 1    | Lint Drawer Switch   |
| 5          | 122605   | 2    | 4-Pin Socket Connector   |
| 6          | 122701   | 8    | Socket Terminal  |
|            | 122801   | 1    | Pin / Socket Extraction Tool   |
| 7          | 800264   | 1    | Lint Drawer Switch Box Assembly Complete<br>(includes illus. nos. 4 through 7) |
|            | 304034   | 1    | Lint Drawer Switch Box ONLY  |
| 8          | 150301   | 4    | #8-18 x 7/16" Phillips Pan Head TEK Screw                                      |
| 9          | 122700   | 8    | Pin Terminal   |
| 10         | 122604   | 2    | 4-Pin Connector  |
| 11         | 150301   | 2    | #8-18 x 7/16" Phillips Pan Head TEK Screw                                      |

\* Specify color when ordering.

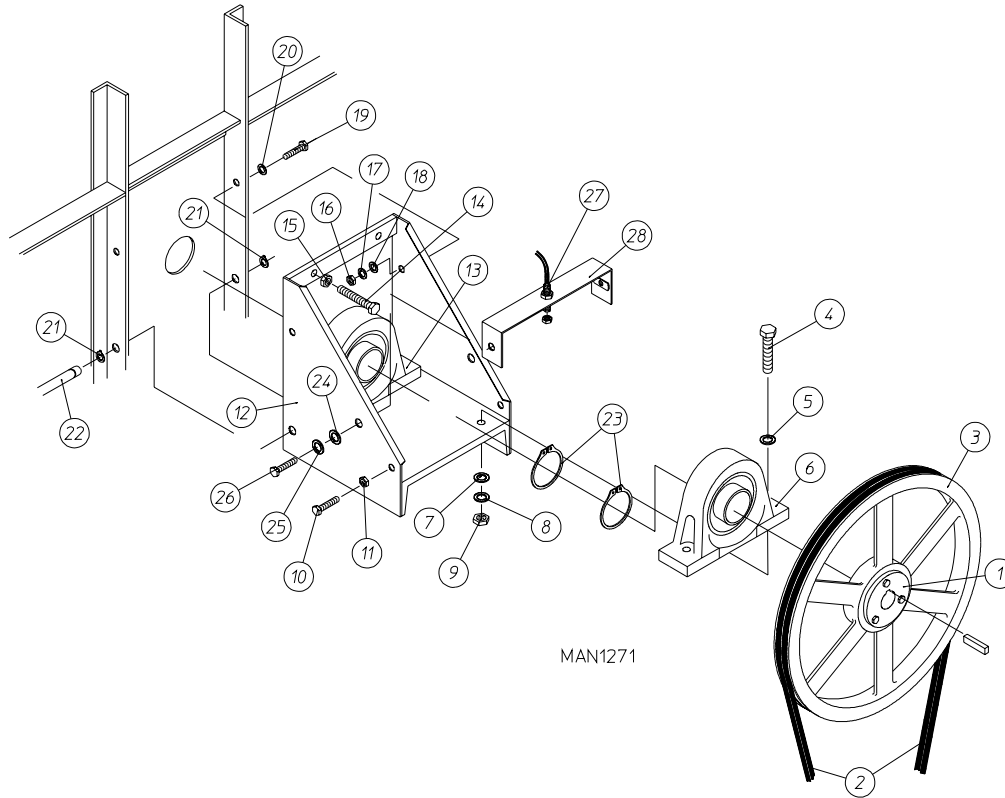


| Illus. No. | Part No. | Qty. | Description   |
|------------|----------|------|---|
| 1          | 820979*  | 1    | Tumbler ONLY without Felt Collar  |
|            | 821001   | 1    | Tumbler and Support Assembly Complete with Rotational Sensor Option<br>(for models mfd. as of March 1, 1993)<br>(includes illus. nos. 1 through 13) |
|            | 820927   | 1    | Tumbler and Support Assembly Complete without Rotational Sensor Option<br>(includes illus. nos. 1 through 13)                                       |
| 2          | 150415   | 64   | #10-16 x 1/2" Phillips Round Head CrimpTite Screw   |
| 3          | 332140   | 4    | Tumbler Rib   |
| 4          | 150500   | 1    | 5/16-18 x 3/4" Socket Button Head Screw   |
| 5          | 880967   | 12   | 1/2-13 x 44" Tie Rod Kit with Hardware<br>(includes 1 each ONLY of illus. nos. 5, 6, 10, and 11)  |
| 6          | 153011   | 12   | 9/16" Flat Washer   |
| 7          | 332139   | 4    | Basket Reinforcing Plate  |
| 8          | 332177   | **   | Tumbler Shim  |
| 9          | 821000   | 1    | Tumbler Support with Rotational Sensor Option<br>(for models mfd. as of March 1, 1993)  |
|            | 820909   | 1    | Tumbler Support without Rotational Sensor Option  |
| 10         | 152011   | 12   | 1/2-13 Hex Nut  |
| 11         | 153026   | 12   | 1/2" Lock Washer  |
| 12         | 153014   | 12   | 7/16" Flat Washer   |
| 13         | 116007   | 1    | Felt Collar   |
| —          | 401010   | 1    | #847 Adhesive for Felt Collar   |

\* Felt collar not included and must be ordered separately.

\*\* As required.

# Tumbler Bearing Mount Assembly

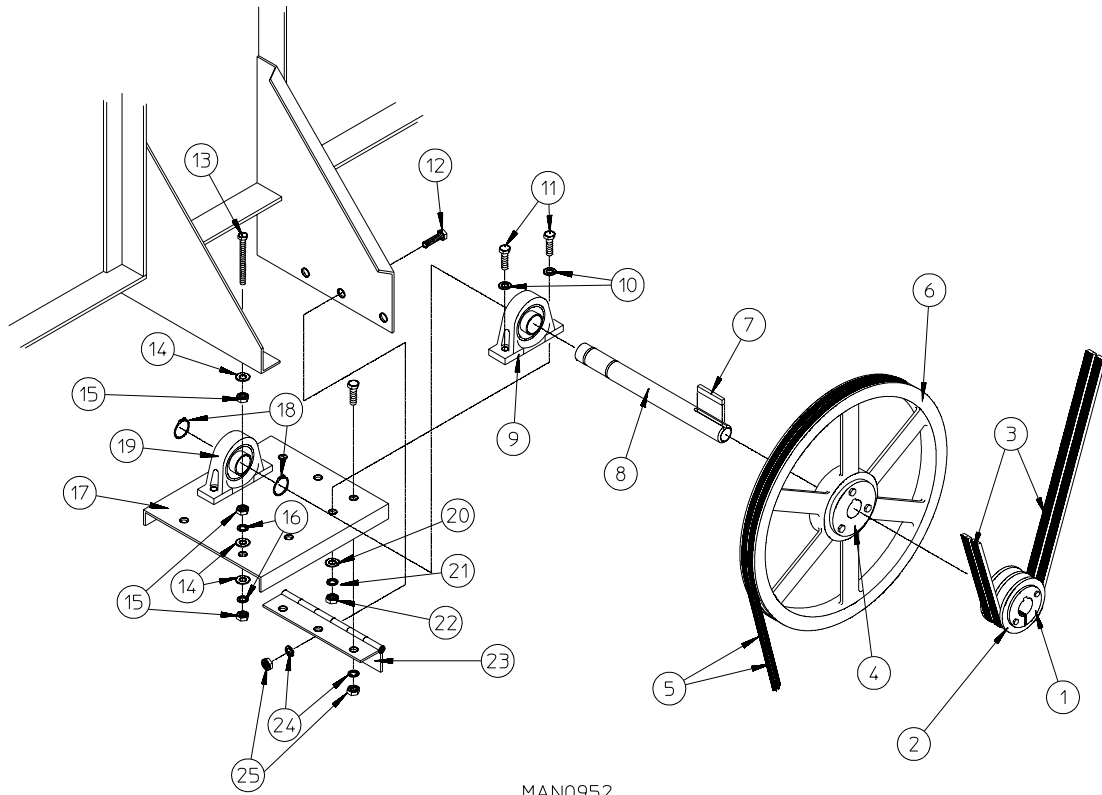


MAN1271

| Illus. No. | Part No. | Qty. | Description                           |
|------------|----------|------|---------------------------------------|
| 1          | 101137   | 1    | 2-1/4" SFX Bushing                    |
| 2*         | 100137   | 2    | AB91 V-Belt                           |
| 3          | 101182   | 1    | 25" Tumbler Pulley                    |
| 4          | 150602   | 4    | 5/8-11 x 3" Hex Head Machine Bolt     |
| 5          | 153016   | 4    | 5/8" Flat Washer                      |
| 6          | 100223   | 1    | 3-1/8" Pillow Block Bearing ONLY      |
| 7          | 153016   | 4    | 5/8" Flat Washer                      |
| 8          | 153015   | 4    | 5/8" Lock Washer                      |
| 9          | 152010   | 4    | 5/8-11 Hex Nut                        |
| 10         | 150600   | 2    | 3/8-16 x 1-1/2" Hex Head Machine Bolt |
| 11         | 152005   | 2    | 3/8-16 Hex Nut                        |
| 12         | 820910   | 1    | Tumbler Bearing Mount                 |
| 13         | 100223   | 1    | 3-1/8" Pillow Block Bearing           |
| 14         | 150604   | 2    | 1/2-20 x 3" Square Head Machine Bolt  |
| 15         | 152012   | 2    | 1/2-20 Hex Nut                        |
| 16         | 152005   | 2    | 3/8-16 Hex Nut                        |
| 17         | 153005   | 2    | 3/8" Lock Washer                      |
| 18         | 153004   | 4    | 3/8" Flat Washer                      |
| 19         | 150600   | 2    | 3/8-16 x 1-1/2" Hex Head Machine Bolt |
| 20         | 153004   | 2    | 3/8" Flat Washer                      |
| 21         | 100801   | 2    | 5/8" Retaining Ring                   |
| 22         | 332153   | 1    | 5/8" Hinge Pin                        |
| 23         | 100810   | 2    | 3-1/8" Retaining Ring                 |
| 24         | 153018   | 2    | 1/4" Flat Washer                      |
| 25         | 153007   | 2    | 1/4" Lock Washer                      |
| 26         | 150512   | 2    | 1/4-20 x 1/2" Hex Head Machine Bolt   |
| 27         | 824807   | 1    | Rotational Sensor Assembly            |
| 28         | 880841   | 1    | Rotational Sensor Mounting Bracket    |

\* Replace in matched sets (both belts).

# Idler Bearing Mount Assembly

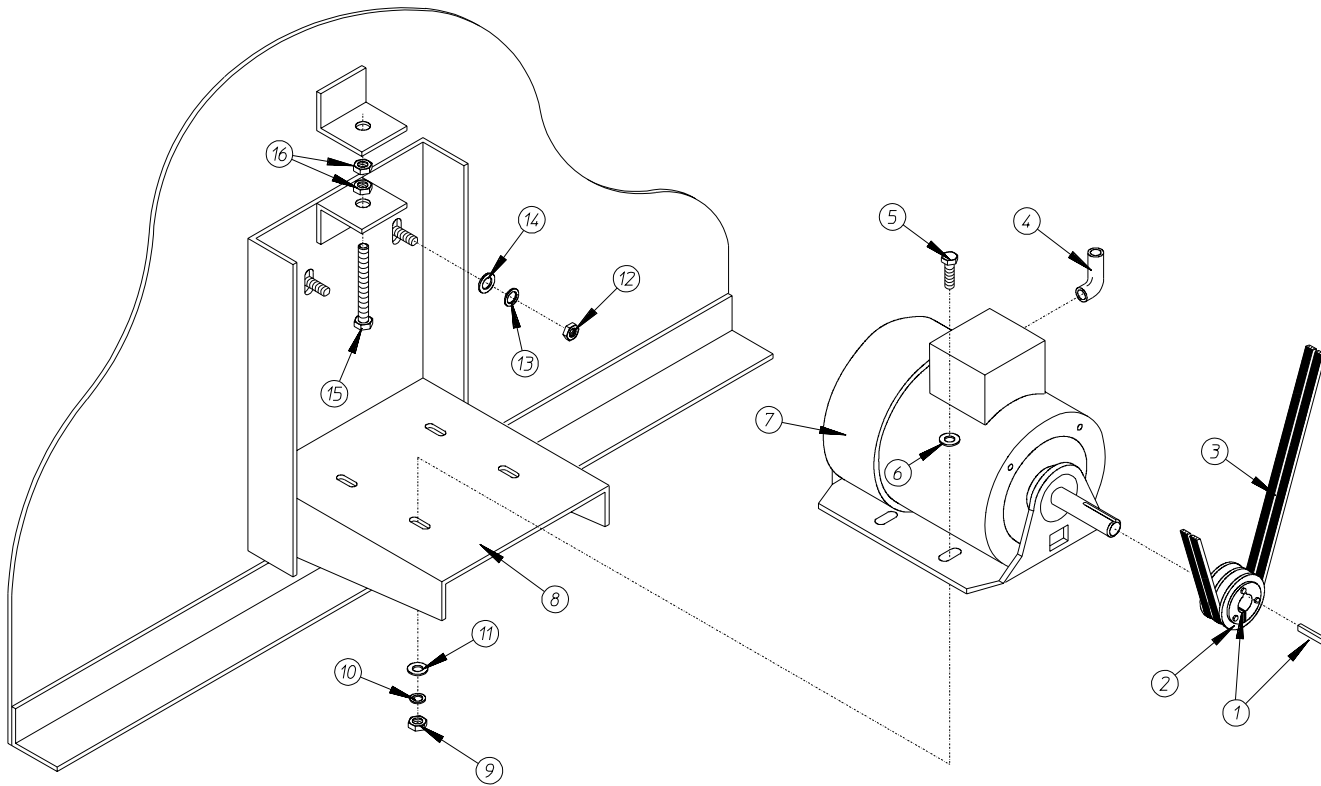


MAN0952

| Illus. No. | Part No. | Qty. | Description  |
|------------|----------|------|--|
| 1          | 101152   | 1    | SH x 1-3/8" Bushing  |
| 2          | 101143   | 1    | 2B 3.8 SH Pulley   |
| 3*         | 100137   | 2    | AB91 V-Belt  |
| 4          | 101184   | 1    | SK x 1-3/8" Bore Bushing   |
| 5*         | 100102   | 2    | 3V740 V-Belt   |
| 6          | 101112   | 1    | 19" Idler Pulley   |
| 7          | 100730   | 1    | 1/4" x 1/4" x 4-5/8" Key   |
| 8          | 332152   | 1    | Idler Shaft  |
| 9          | 880879   | 1    | 1-3/8" Pillow Block Bearing with Setscrews and Grease Fitting                                  |
| 10         | 153004   | 4    | 3/8" Flat Washer   |
| 11         | 150600   | 4    | 3/8-16 x 1-1/2" Hex Head Machine Bolt  |
| 12         | 150504   | 6    | 1/4-20 x 1/2" Hex Head Machine Bolt  |
| 13         | 150509   | 2    | 5/16-18 x 3" Hex Head Machine Bolt   |
| 14         | 153001   | 6    | 5/16" Flat Washer  |
| 15         | 152004   | 6    | 5/16-18 Hex Nut  |
| 16         | 153002   | 8    | 5/16" Lock Washer  |
| 17         | 820932   | 1    | Idler Bearing Mount Assembly Complete<br>(includes illus. nos. 8 through 11 and 17 through 25) |
|            | 332151   | 1    | Idler Bearing Mount ONLY   |
| 18         | 100802   | 2    | 1-3/8" Retaining Ring  |
| 19         | 880879   | 1    | 1-3/8" Pillow Block Bearing with Setscrews and Grease Fitting                                  |
| 20         | 153004   | 4    | 3/8" Flat Washer   |
| 21         | 153005   | 4    | 3/8" Lock Washer   |
| 22         | 152005   | 4    | 3/8-16 Hex Nut   |
| 23         | 103005   | 1    | Idler Adjustment Hinge   |
| 24         | 153002   | 6    | 1/4" Lock Washer   |
| 25         | 152004   | 6    | 1/4-20 Hex Nut   |

\* Replace in matched sets (both belts).

# Totally Enclosed, Fan-Cooled Tumbler Motor Mount Assembly



MAN0329

| Illus. No. | Part No. | Qty. | Description  |
|------------|----------|------|--|
| 1          | 101121   | 1    | 5/8" SK Bushing  |
| 2          | 101114   | 1    | 2.65" Pulley (for 60 Hz Models Only)   |
|            | 101120   | 1    | 3.15" Pulley (for 50 Hz Models Only)   |
| 3*         | 100102   | 2    | 3V740 V-Belt   |
| 4          | 120200   | 1    | 3/8" x 90° Connector   |
| 5          | 150501   | 4    | 5/16-18 x 3/4" Hex Head Machine Bolt   |
| 6          | 153001   | 4    | 5/16" Flat Washer  |
| 7          | 100050   | 1    | 1 hp 208 / 230 / 380 / 460v 50 / 60 Hz 3ø Totally Enclosed, Fan-Cooled Motor (56Z frame)   |
| 8          | 800952   | 1    | Tumbler Motor Mount ONLY (56Z frame)   |
|            | 820941** | 1    | 50 / 60 Hz Totally Enclosed, Fan-Cooled Tumbler Motor Mount Assembly Complete (includes illus. nos. 1 and 4 through 11)<br>NOTE: Motor Pulley Must Be Ordered Separately |
| 9          | 152004   | 4    | 5/16-18 Hex Nut  |
| 10         | 153002   | 4    | 5/16" Lock Washer  |
| 11         | 153001   | 4    | 5/16" Flat Washer  |
| 12         | 152004   | 4    | 5/16-18 Hex Nut  |
| 13         | 153002   | 4    | 5/16" Lock Washer  |
| 14         | 153001   | 4    | 5/16" Flat Washer  |
| 15         | 150619   | 1    | 3/8-16 x 3" Hex Head Machine Bolt  |
| 16         | 152005   | 2    | 3/8-16 Hex Nut   |

\* Replace in matched sets (both belts).

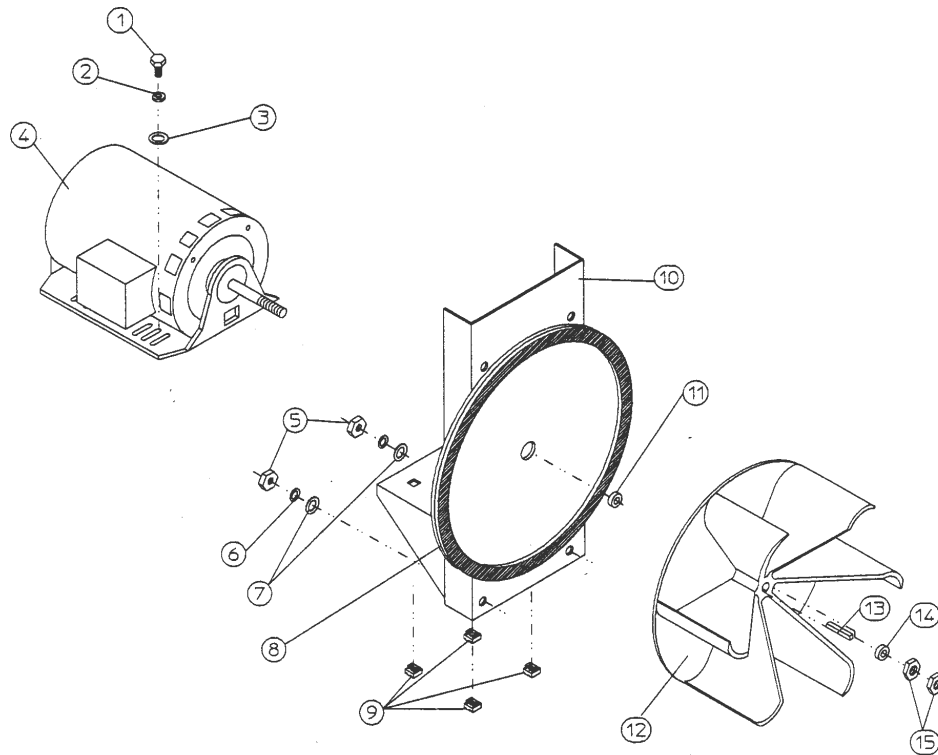
\*\* Specify voltage when ordering.

**IMPORTANT:** For voltages higher than 460v / contact the factory for correct part number of motor or motor mount assembly.



# Blower Motor Mount Assembly

For 60 Hz Gas Models ONLY



MAN0193

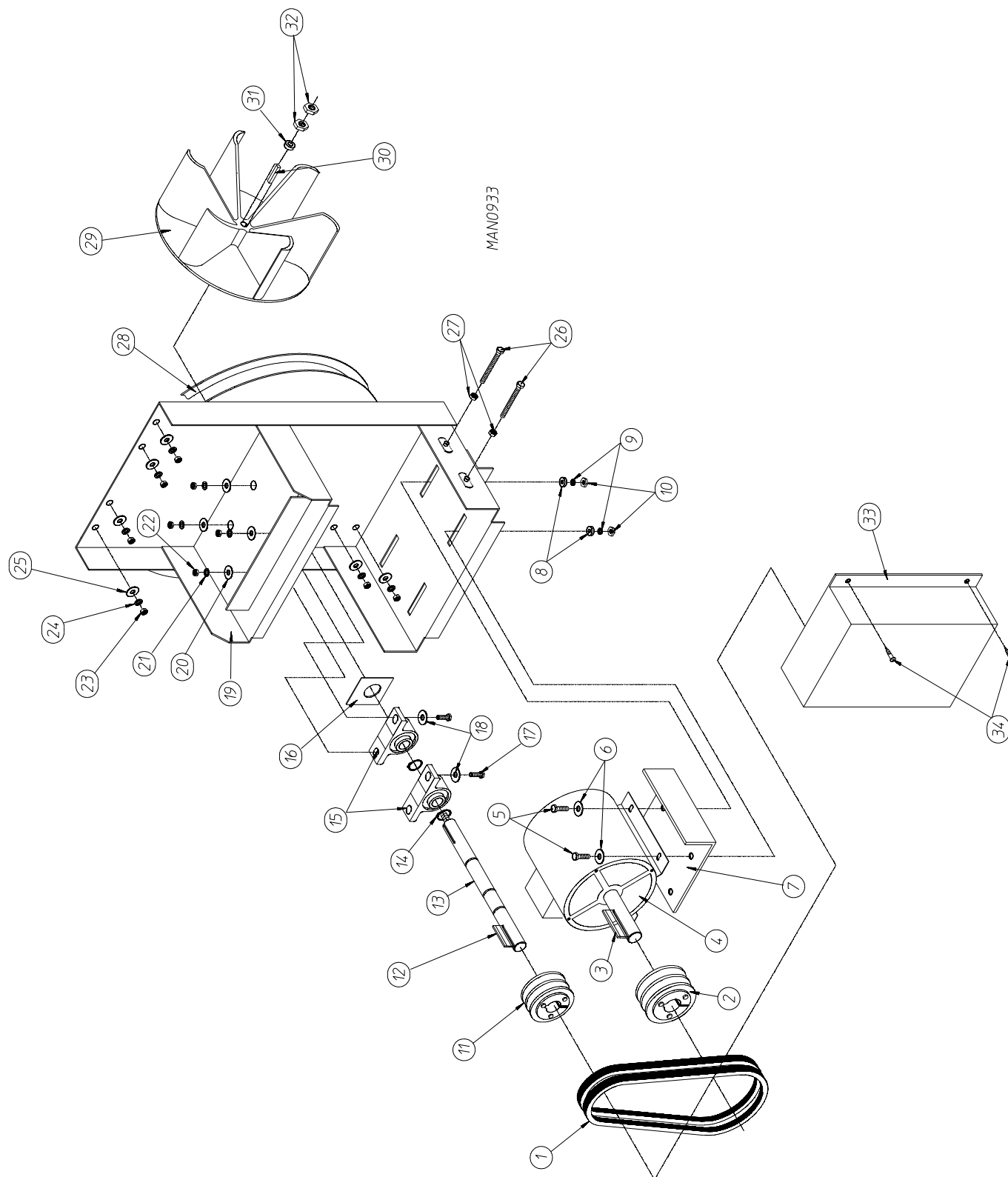
| Illus. No. | Part No. | Qty. | Description   |
|------------|----------|------|---|
| 1          | 150501   | 4    | 5/16-18 x 3/4" Hex Head Machine Bolt  |
| 2          | 153002   | 4    | 5/16" Lock Washer   |
| 3          | 153001   | 4    | 5/16" Flat Washer   |
| 4          | 100051   | 1    | 3 hp 208 / 230 / 460 / 3ø / 50 / 60 Hz Motor (56Z frame)  |
| 5          | 152004   | 4    | 5/16-18 Hex Nut   |
| 6          | 153002   | 4    | 5/16" Lock Washer   |
| 7          | 153001   | 4    | 5/16" Flat Washer   |
| 8          | 117600   | 4    | Noise Suppressor Tape (sold by the foot)  |
| 9          | 154000   | 4    | 5/16-18 Tinnerman Nut   |
| 10         | 880828   | 1    | 3 hp Blower Motor Mount ONLY (56Z frame)<br>(for models mfd. as of September 11, 1992)  |
|            | 820924   | 1    | 3 hp Blower Motor Mount ONLY (56Z frame)<br>(for models mfd. prior to September 11, 1992)   |
|            | 880829   | 1    | 3 hp Blower Motor Mount Assembly Complete<br>(for models mfd. as of September 11, 1992)<br>(includes illus. nos. 1 through 4 and 8 through 15)    |
|            | 820942   | 1    | 3 hp Blower Motor Mount Assembly Complete<br>(for models mfd. prior to September 11, 1992)<br>(includes illus. nos. 1 through 4 and 8 through 15) |
| 11         | 153063   | 1    | Motor Washer  |
| 12         | 100609   | 1    | 20" Aluminum Impellor (Fan / Blower)  |
| 13         | 100703   | 1    | 1/2" x 1/2" x 2" Key  |
| 14         | 153063   | *    | 5/8" Motor Washer   |
| 15         | 152006   | 2    | 1/2-20 Left-Hand Jam Nut  |

\* Replace in matched sets (both belts).

**IMPORTANT:** For voltages higher than 460v, contact the factory for correct part number of motor or motor mount assembly.

# Blower Motor, Fan, and Shaft Assembly

For 60 Hz Steam Models and 50 Hz Gas Models ONLY



# Blower Motor, Fan, and Shaft Assembly

For 60 Hz Steam Models and 50 Hz Gas Models ONLY

| <u>Illus. No.</u> | <u>Part No.</u> | <u>Qty.</u> | <u>Description</u>  |
|-------------------|-----------------|-------------|---|
| 1*                | 100118          | 2           | 5L-310 V-Belt   |
| 2                 | 101134          | 1           | 2B x 4.6 Motor Pulley   |
|                   | 101138          | 1           | SDS x 1-1/8" Bushing  |
| 3                 | 100704          | 1           | 1/4" x 1/4" x 1-3/4" Key  |
| 4                 | 100045          | 1           | 5 hp 230 / 460 / 3ø / 50 / 60 Hz Motor  |
| 5                 | 150617          | 4           | 3/8-16 x 1" Hex Head Machine Bolt   |
| 6                 | 153004          | 4           | 3/8" Flat Washer  |
| 7                 | 332198          | 1           | Motor Adjustment Bracket  |
| 8                 | 153004          | 4           | 3/8" Flat Washer  |
| 9                 | 153005          | 4           | 3/8" Lock Washer  |
| 10                | 152005          | 4           | 3/8-16 Hex Nut  |
| 11                | 101143          | 1           | 2B x 3.8 Pulley   |
|                   | 101152          | 1           | SH x 1-3/8" Bushing   |
| 12                | 100706          | 1           | 5/16" x 5/16" x 1-3/8" Key  |
| 13                | 332195          | 1           | Impellor (Fan / Blower) Shaft   |
| 14                | 100802          | 2           | 1-3/8" Retaining Ring   |
| 15                | 880879          | 2           | 1-3/8" Pillow Block Bearing with Setscrews and Grease Fitting   |
| 16                | 116014          | 1           | 3" x 3" Impellor (Fan / Blower) Shaft Gasket  |
| 17                | 150606          | 4           | 1/2-13 x 2" Hex Head Machine Bolt   |
| 18                | 153016          | 4           | 1/2" Flat Washer  |
| 19                | 820990          | 1           | Blower Motor Mount ONLY<br>(for models mfd. as of September 11, 1992)   |
|                   | 820960          | 1           | Blower Motor Mount ONLY<br>(for models mfd. prior to September 11, 1992)  |
|                   | 820974          | 1           | ADS-170 60 Hz / ADG-170 50 Hz Blower Motor Mount Assembly Complete<br>(for models mfd. as of September 11, 1992)<br>(includes illus. nos. 1 through 22 and 26 through 34) |
|                   | 820981          | 1           | ADS-170 60 Hz / ADG-170 50 Hz Blower Motor Mount Assembly Complete<br>(for models mfd. as of September 11, 1992)<br>(includes illus. nos. 1 through 22 and 26 through 34) |
| 20                | 153016          | 4           | 1/2" Flat Washer  |
| 21                | 153026          | 4           | 1/2" Lock Washer  |
| 22                | 152011          | 4           | 1/2-13 Hex Nut  |
| 23                | 152005          | 8           | 3/8-16 Hex Nut  |
| 24                | 153005          | 8           | 3/8" Lock Washer  |
| 25                | 153004          | 8           | 3/8" Flat Washer  |
| 26                | 150609          | 2           | 1/2-13 x 4-1/2" Hex Head Machine Bolt   |
| 27                | 152011          | 2           | 1/2-13 Hex Nut  |
| 28                | 117600          | 6           | Noise Suppressor Tape (sold by the foot)  |
| 29                | 100609          | 1           | 20" Aluminum Impellor (Fan / Blower)  |
| 30                | 100708          | 1           | 3/16" x 3/16" x 2-1/16" Key   |
| 31                | 153065          | 1           | Fan / Impellor Washer   |
| 32                | 152006          | 2           | 1/2-20 Left-Hand Jam Nut  |
| 33                | 820965          | 1           | Belt Guard ONLY   |
| 34                | 150522          | 4           | 1/4-20 x 1" Hex Washer TEK Screw  |

\* Replace in matched sets (both belts).



# Blower Motor, Fan, and Shaft Assembly

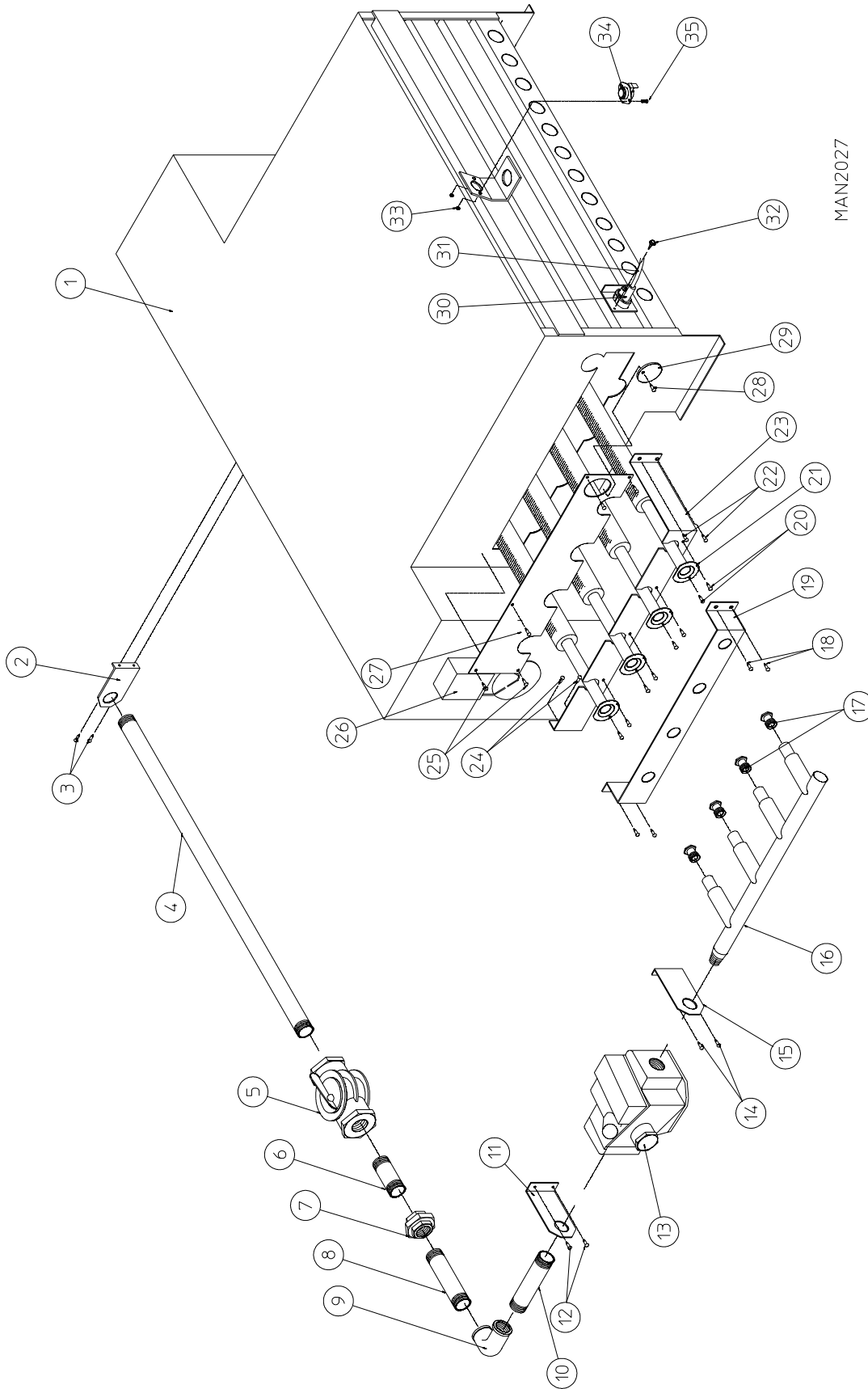
For 50 Hz Steam Models ONLY

| <u>Illus. No.</u> | <u>Part No.</u> | <u>Qty.</u> | <u>Description</u>   |
|-------------------|-----------------|-------------|--|
| 1*                | 100119          | 2           | 5L-320 V-Belt  |
| 2                 | 101135          | 1           | 2B x 5.4 Motor Pulley  |
|                   | 101138          | 1           | SDS x 1-1/8" Bushing   |
| 3                 | 100704          | 1           | 1/4" x 1/4" x 1-3/4" Key   |
| 4                 | 100045          | 1           | 5 hp 230 / 460 / 3ø / 50 / 60 Hz Motor   |
| 5                 | 150617          | 4           | 3/8-16 x 1" Hex Head Machine Bolt  |
| 6                 | 153004          | 4           | 3/8" Flat Washer   |
| 7                 | 332198          | 1           | Motor Adjustment Bracket   |
| 8                 | 153004          | 4           | 3/8" Flat Washer   |
| 9                 | 153005          | 4           | 3/8" Lock Washer   |
| 10                | 152005          | 4           | 3/8-16 Hex Nut   |
| 11                | 101148          | 1           | 2B x 4.0 Pulley (replaces 2B x 3.8 pulley previously used)   |
|                   | 101152          | 1           | SH x 1-3/8" Bushing  |
| 12                | 100706          | 1           | 5/16" x 5/16" x 1-3/8" Key   |
| 13                | 332195          | 1           | Impellor (Fan / Blower) Shaft  |
| 14                | 100802          | 2           | 1-3/8" Retaining Ring  |
| 15                | 880879          | 2           | 1-3/8" Pillow Block Bearing with Setscrews and Grease Fitting  |
| 16                | 116014          | 1           | 3" x 3" Impellor (Fan / Blower) Shaft Gasket   |
| 17                | 150606          | 4           | 1/2-13 x 2" Hex Head Machine Bolt  |
| 18                | 153016          | 4           | 1/2" Flat Washer   |
| 19                | 820990          | 1           | Blower Motor Mount ONLY<br>(for models mfd. as of September 11, 1992)  |
|                   | 820960          | 1           | Blower Motor Mount ONLY<br>(for models mfd. prior to September 11, 1992)   |
|                   | 820977          | 1           | 50 Hz Blower Motor Mount Assembly Complete<br>(for models mfd. as of September 11, 1992)<br>(includes illus. nos. 1 through 22 and 26 through 34)    |
|                   | 820982          | 1           | 50 Hz Blower Motor Mount Assembly Complete<br>(for models mfd. prior to September 11, 1992)<br>(includes illus. nos. 1 through 22 and 26 through 34) |
| 20                | 153016          | 4           | 1/2" Flat Washer   |
| 21                | 153026          | 4           | 1/2" Lock Washer   |
| 22                | 152011          | 4           | 1/2-13 Hex Nut   |
| 23                | 152005          | 8           | 3/8-16 Hex Nut   |
| 24                | 153005          | 8           | 3/8" Lock Washer   |
| 25                | 153004          | 8           | 3/8" Flat Washer   |
| 26                | 150609          | 2           | 1/2-13 x 4-1/2" Hex Head Machine Bolt  |
| 27                | 152011          | 2           | 1/2-13 Hex Nut   |
| 28                | 117600          | 6           | Noise Suppressor Tape (sold by the foot)   |
| 29                | 100609          | 1           | 20" Aluminum Impellor (Fan / Blower)   |
| 30                | 100708          | 1           | 3/16" x 3/16" x 2-1/16" Key  |
| 31                | 153065          | 1           | Impellor / Fan Washer  |
| 32                | 152006          | 2           | 1/2-20 Left-Hand Jam Nut   |
| 33                | 820965          | 1           | Belt Guard ONLY  |
| 34                | 150522          | 4           | 1/4-20 x 1" Hex Washer TEK Screw   |

\* Replace in matched sets (both belts).

# Direct Spark Ignition Burner Assembly

For Gas Models ONLY



MAN2027

# Direct Spark Ignition Burner Assembly

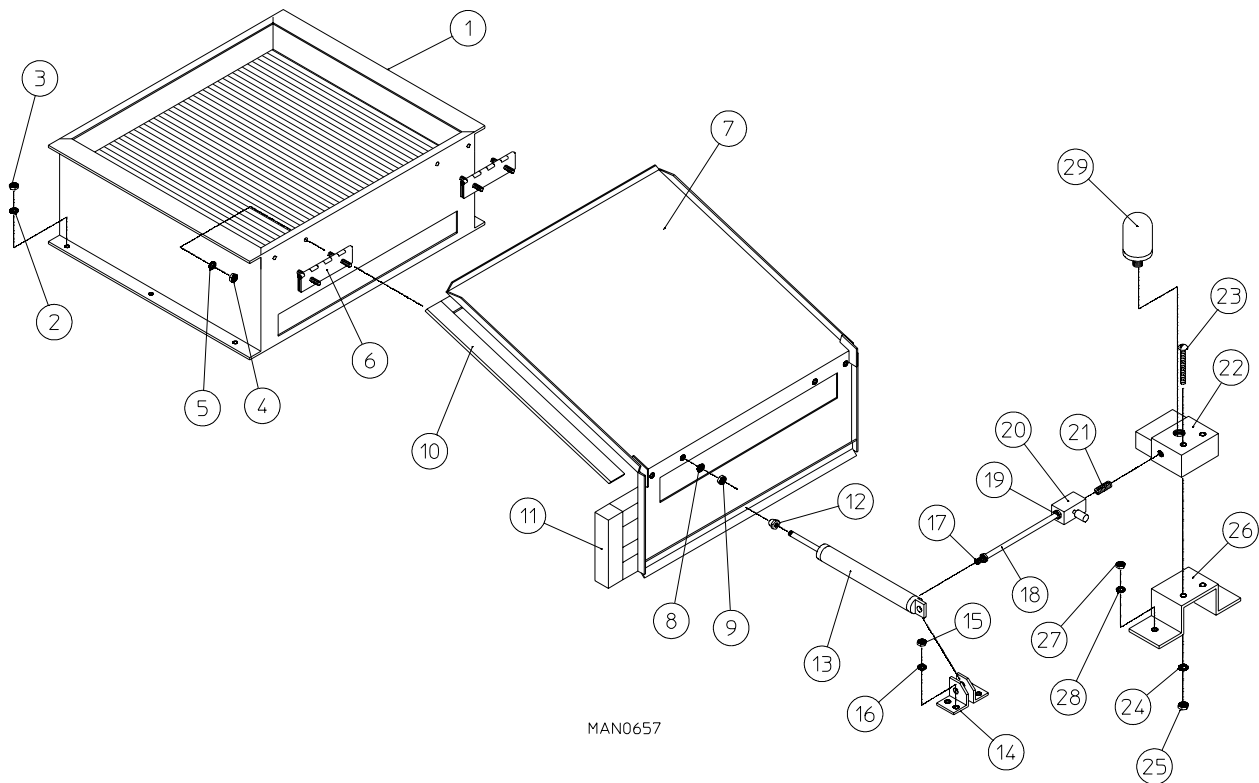
For Gas Models ONLY

| <u>Illus. No.</u> | <u>Part No.</u> | <u>Qty.</u> | <u>Description</u>   |
|-------------------|-----------------|-------------|--|
| 1                 | 820988*         | 1           | Natural Gas Direct Spark Ignition Burner Assembly Complete Less Orifices<br>(includes illus. nos. 1 through 16 and 18 through 35)        |
|                   | 820989*         | 1           | Liquid Propane Gas Direct Spark Ignition Burner Assembly Complete Less Orifices<br>(includes illus. nos. 1 through 16 and 18 through 35) |
|                   | 820987          | 1           | Burner Box ONLY  |
| 2                 | 332117          | 1           | Pipe Bracket   |
| 3                 | 150415          | 2           | #10-16 x 1/2" Phillips Round Head Crimptite Screw  |
| 4                 | 142817          | 1           | 1" x 28-1/2" Pipe  |
| 5                 | 141302          | 1           | 1" Union Shutoff   |
| 6                 | 142724          | 1           | 1" x 2" Nipple   |
| 7                 | 142602          | 1           | 1" Union   |
| 8                 | 142581          | 1           | 1" x 5" Nipple   |
| 9                 | 142548          | 1           | 1" x 90° Elbow   |
| 10                | 142581          | 1           | 1" x 5" Nipple   |
| 11                | 332119          | 1           | Gas Valve Pipe Bracket   |
| 12                | 150415          | 2           | #10-16 x 1/2" Phillips Round Head Crimptite Screw  |
| 13                | 140017          | 1           | 1" 24 VAC Redundant (natural gas) Gas Valve  |
|                   | 882945          | 1           | 1" 24 VAC Redundant (liquid propane) Gas Valve   |
|                   | 140018          | 1           | 1" 24 VAC Gas Valve Liquid Propane Conversion Kit  |
| 14                | 150415          | 2           | #10-16 x 1/2" Phillips Round Head Crimptite Screw  |
| 15                | 332119          | 1           | Gas Valve Pipe Bracket   |
| 16                | 141240          | 1           | 4-Port Manifold  |
| 17**              | 140832          | 4           | #4 Burner Orifice (natural gas) ONLY   |
|                   | 140819          | 4           | #30 Burner Orifice (liquid propane gas) ONLY   |
| 18                | 150415          | 4           | #10-16 x 1/2" Phillips Round Head Crimptite Screw  |
| 19                | 332114          | 1           | Manifold Support   |
| 20                | 150415          | 8           | #10-16 x 1/2" Phillips Round Head Crimptite Screw  |
| 21                | 141110          | 4           | Burner Tube  |
| 22                | 150415          | 2           | #10-16 x 1/2" Phillips Round Head Crimptite Screw  |
| 23                | 332121          | 1           | Burner Tube Support  |
| 24                | 150415          | 2           | #10-16 x 1/2" Phillips Round Head Crimptite Screw  |
| 25                | 150415          | 6           | #10-16 x 1/2" Phillips Round Head Crimptite Screw  |
| 26                | ————            | 1           | Sail Switch<br><b>(refer to Sail Switch Assembly on page 28)</b>   |
| 27                | 332113          | 1           | Burner Box Cover Plate   |
| 28                | 150415          | 1           | #10-16 x 1/2" Phillips Round Head Crimptite Screw  |
| 29                | 331290          | 1           | Ignitor / Flame-Probe Sight Hole Disc  |
| 30                | 128914          | 1           | Ignitor / Flame-Probe Assembly   |
|                   | 305410          | 1           | Direct Spark Ignition Ignitor Gap Feeler Gauge ... Not Illustrated   |
| 31                | 884278          | 1           | High Voltage Wire (for models with 1/4" spade connection at module)  |
|                   | 880330          | 1           | High Voltage Wire (for models with spike style connection at module)   |
| 32                | 150415          | 2           | #10-16 x 1/2" Phillips Round Head Crimptite Screw  |
| 33                | 151000          | 2           | #6-32 Pal Nut  |
| 34                | 130401          | 1           | 330° Hi-Limit  |
| 35                | 150001          | 2           | #6-32 x 1" Round Head Machine Screw  |

\* Orifices not included and must be ordered separately.

\*\* Consult factory for elevations over 2,000 feet.

# Steam Damper Assembly

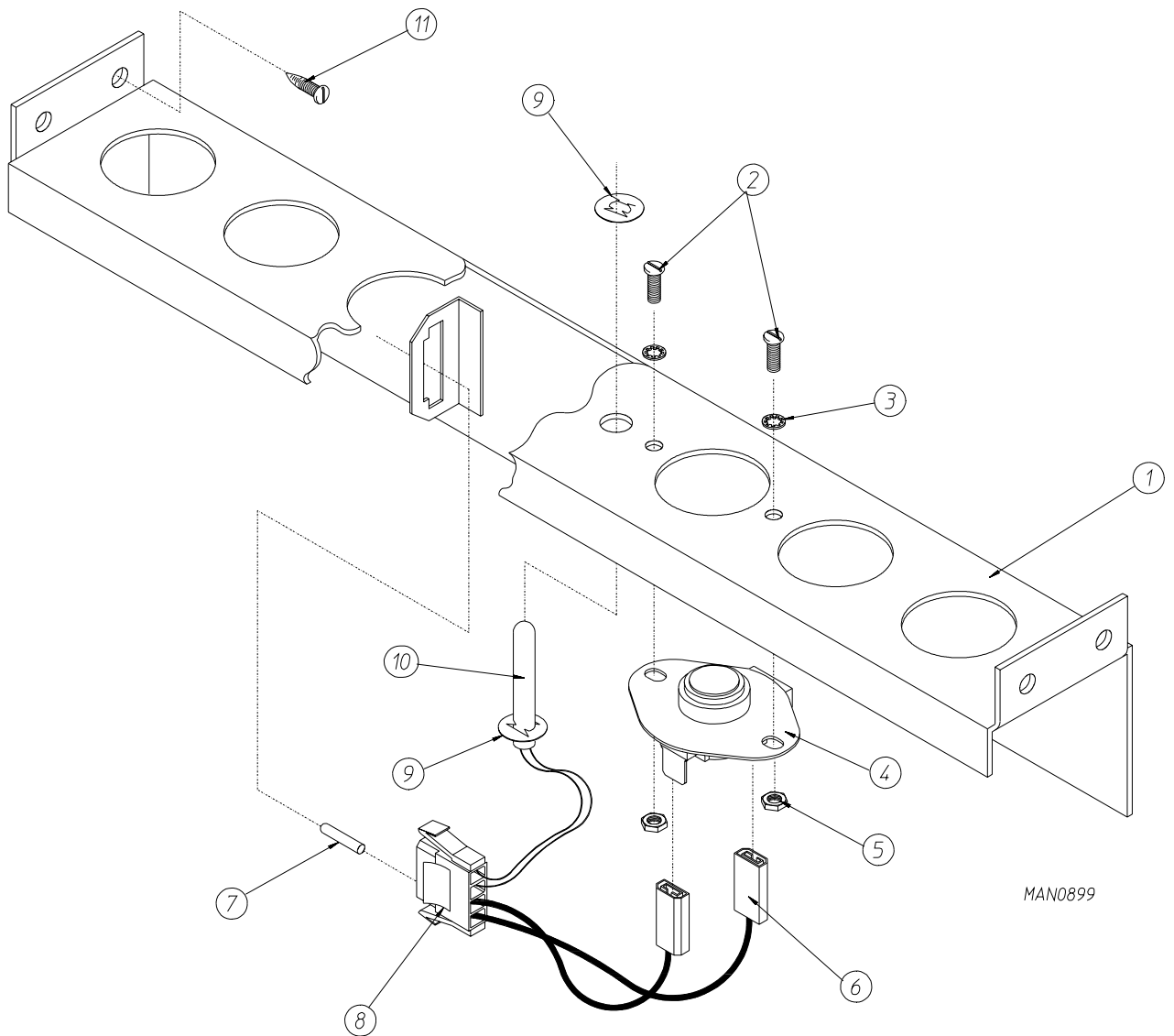


MAN0657

| Illus. No. | Part No. | Qty. | Description   |
|------------|----------|------|---|
| 1          | 165017   | 1    | Steam Coil Assembly   |
| 2          | 153002   | 6    | 5/16" Lock Washer   |
| 3          | 152004   | 6    | 5/16-18 Hex Nut   |
| 4          | 152002   | 4    | 1/4-20 Hex Nut  |
| 5          | 153007   | 4    | 1/4" Lock Washer  |
| 6          | 820321   | 2    | Steam Damper Hinge Assembly                                   |
| 7          | 820994   | 1    | Steam Damper Assembly<br>(includes illus. nos. 7, 10, and 11) |
| 8          | 153007   | 4    | 1/4" Lock Washer  |
| 9          | 152002   | 4    | 1/4-20 Hex Nut  |
| 10         | 115995   | 96   | Steam Damper Gasket (sold by the inch)                        |
| 11         | 102350   | 1    | Steam Damper Foam (68-1/2" length)                            |
| 12         | 151007   | 1    | 7/16-20 Stainless Steel Acorn Nut                             |
| 13         | 100499   | 1    | 1-1/2" Bore x 3" Stroke Piston                                |
| 14         | 100500   | 1    | Piston Support Bracket  |
| 15         | 152002   | 4    | 1/4-20 Hex Nut  |
| 16         | 153007   | 4    | 1/4" Lock Washer  |
| 17         | 100472   | 1    | 1/4" x 1/8" Connector   |
| 18         | 143110   | 1    | 1/4" Tubing (sold by the foot)                                |
| 19         | 100472   | 1    | 1/4" x 1/8" Connector   |
| 20         | 100496   | 1    | 1/8" Needle Valve   |
| 21         | 143238   | 1    | 1/8" Close Nipple   |
| 22         | 100498   | 1    | 3-Way Micro Valve – 24 VAC                                    |
| 23         | 150002   | 2    | #6-32 x 1" Slotted Machine Screw                              |
| 24         | 153010   | 2    | #6 Star Washer  |
| 25         | 152000   | 2    | #6-32 Hex Nut   |
| 26         | 330987   | 1    | Micro Valve Support Bracket                                   |
| 27         | 152002   | 2    | 1/4-20 Hex Nut  |
| 28         | 153007   | 2    | 1/4" Lock Washer  |
| 29         | 100520   | 1    | 1/8" N.P.T. Silencer (muffler)                                |

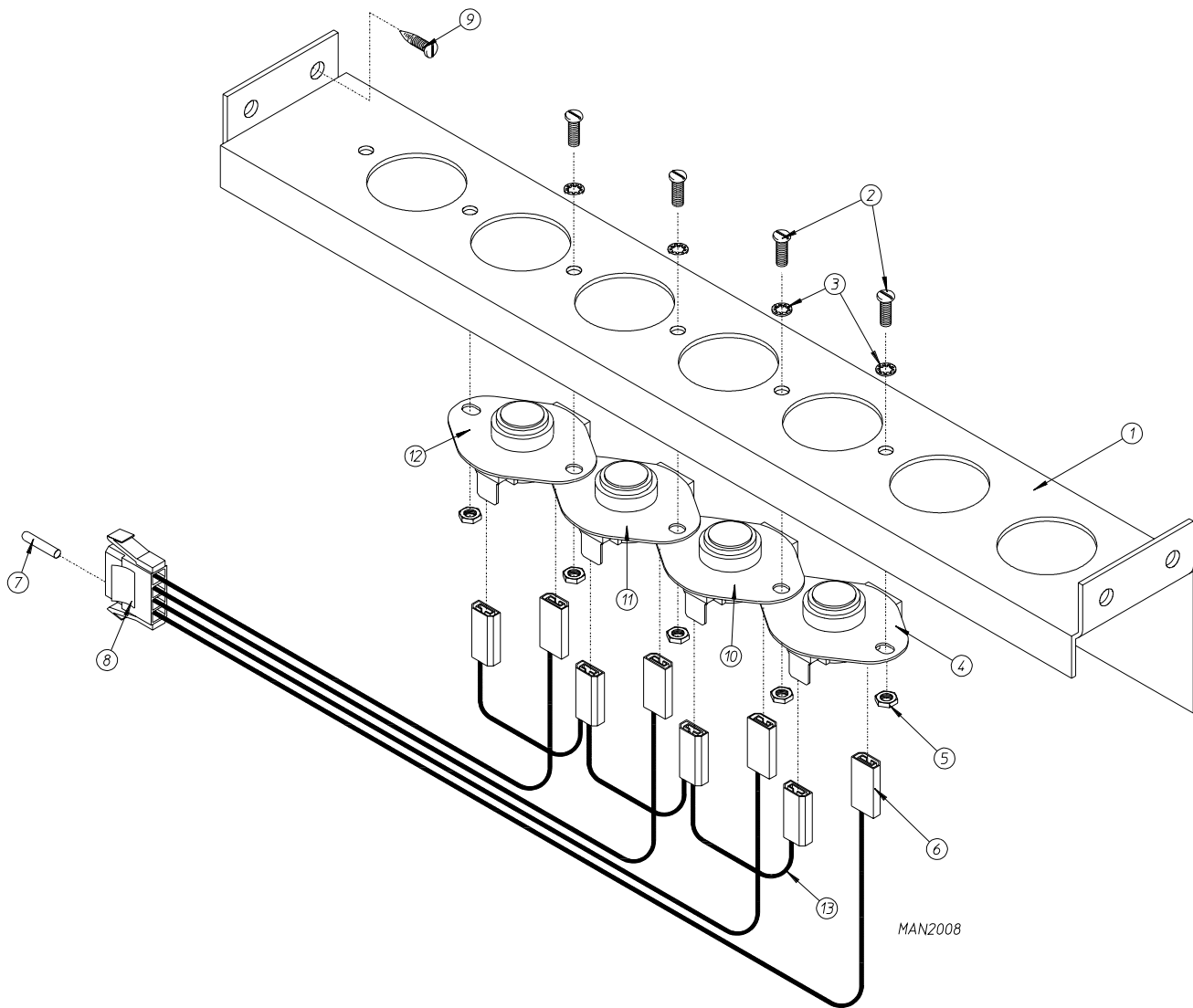


# Microprocessor Temperature Sensor Bracket Assembly



| Illus. No. | Part No. | Qty. | Description   |
|------------|----------|------|---|
| 1          | 820968   | 1    | Microprocessor Temperature Sensor Bracket Complete<br>(includes illus. nos. 1 through 10) |
|            | 820967   | 1    | Temperature Sensor Bracket ONLY   |
| 2          | 150000   | 2    | #6-32 x 1/4" Round Head Machine Screw   |
| 3          | 153010   | 2    | #6 Star Washer  |
| 4          | 130112   | 1    | 225° Large Automatic Reset Thermostat (Side Terminals)                                    |
| 5          | 152000   | 2    | #6-32 Hex Nut   |
| 6          | 121028   | 2    | 1/4" x .032 Insulated Terminal  |
| 7          | 122701   | 4    | Socket Terminal   |
| 8          | 122605   | 1    | 4-Pin Socket Connector  |
| 9          | 154007   | 2    | 1/4" Push-On Fastener   |
| 10         | 880251   | 1    | 1/4" Temperature Sensor Probe Assembly<br>(includes illus. nos. 6 through 10)             |
| 11         | 150301   | 4    | #8-18 x 7/16" Phillips Pan Head TEK Screw   |

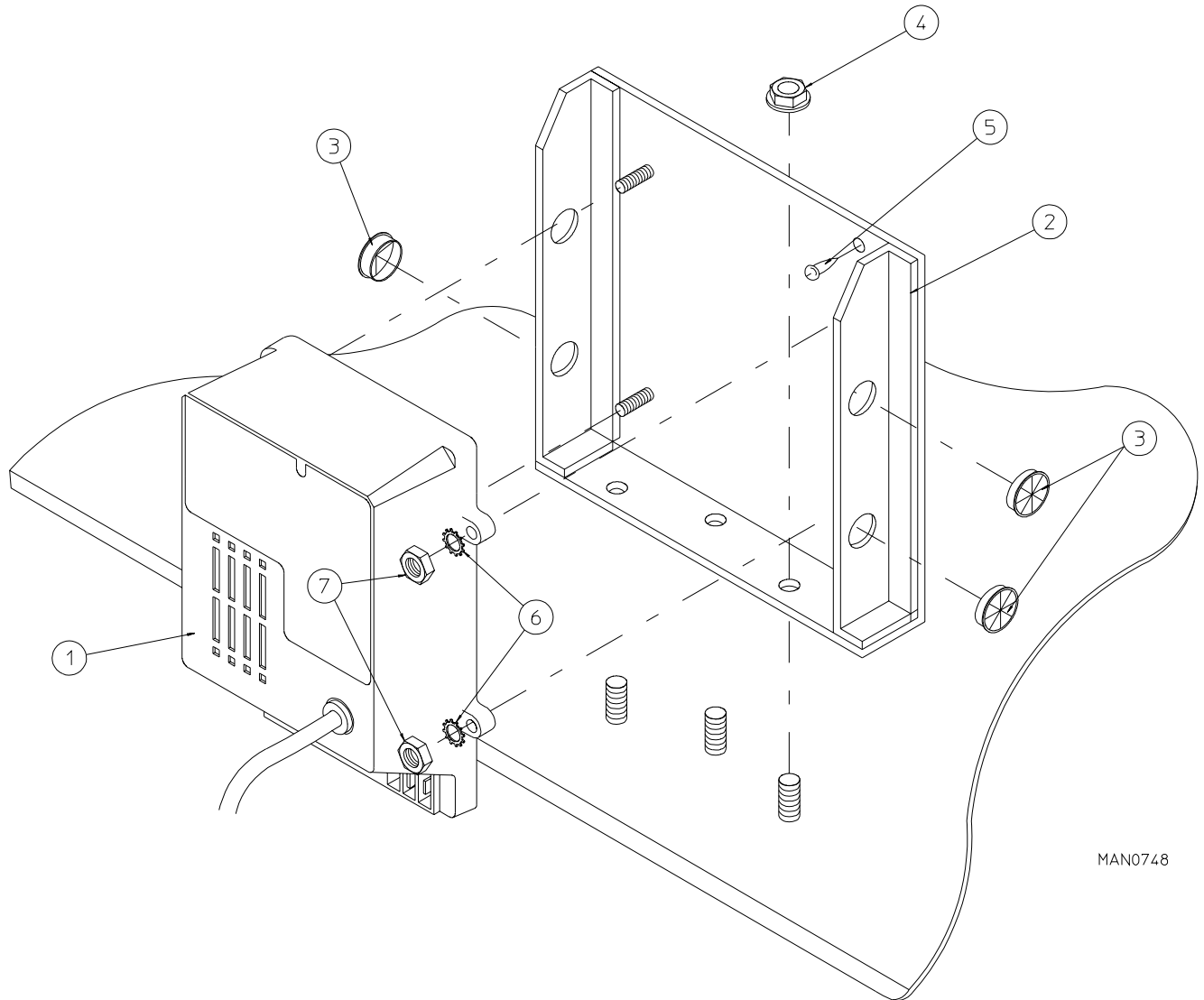
# Timer Temperature Sensor Bracket Assembly



| Illus. No. | Part No. | Qty. | Description  |
|------------|----------|------|--|
| 1          | 821016   | 1    | Timer Temperature Sensor Bracket Complete<br>(includes illus. nos. 1 through 13) |
|            | 820999   | 1    | Timer Temperature Sensor Bracket ONLY  |
| 2          | 150005   | 5    | #6-32 x 1/4" Round Head Machine Screw  |
| 3          | 153010   | 5    | #6 Star Washer   |
| 4          | 130101   | 1    | 180° Large Thermostat  |
| 5          | 152000   | 2    | #6-32 Hex Nut  |
| 6          | 121028   | 4    | 1/4" x .032 Insulated Terminal   |
| 7          | 122701   | 4    | Socket Terminal  |
| 8          | 122605   | 1    | 4-Pin Socket Connector   |
| 9          | 150301   | 4    | #8-18 x 7/16" Phillips Pan Head TEK Screw  |
| 10         | 130109   | 1    | 140° Large Thermostat  |
| 11         | 130107   | 1    | 160° Large Thermostat  |
| 12         | 130103   | 1    | 225° Large Automatic Reset Thermostat  |
| 13         | 831701   | 1    | Sensor Jumper (4)  |

# Direct Spark Ignition Module Mount Assembly

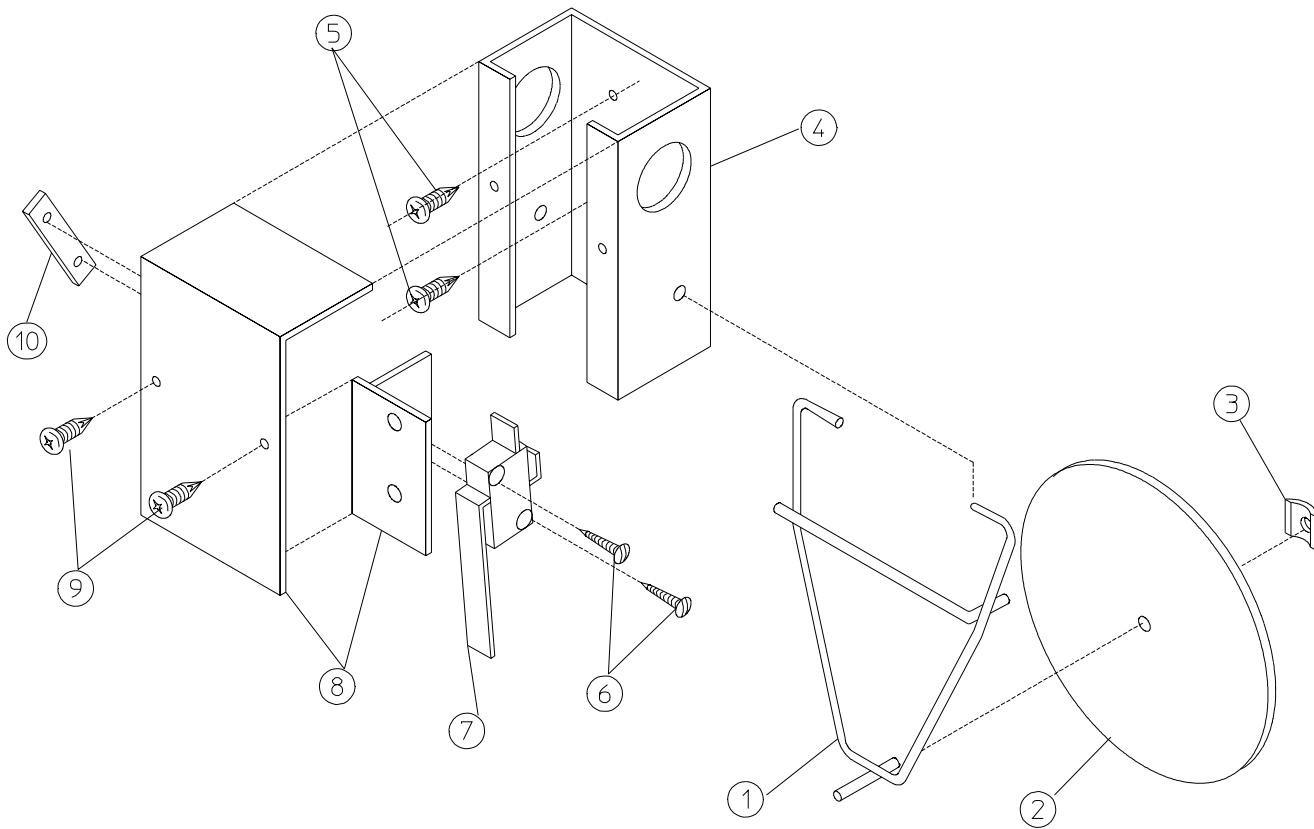
For Gas Models ONLY



MAN0748

| <u>Illus. No.</u> | <u>Part No.</u> | <u>Qty.</u> | <u>Description</u>                               |
|-------------------|-----------------|-------------|--|
| 1                 | 883849          | 1           | Direct Spark Ignition Module                     |
| 2                 | 820100          | 1           | Direct Spark Ignition Module Mount Assembly ONLY |
| 3                 | 121400          | 3           | Universal Bushing                                |
| 4                 | 152014          | 3           | 1/4-20 Free Spin Wash Nut                        |
| 5                 | 150301          | 1           | #8-18 x 7/16" Phillips Pan Head TEK Screw        |
| 6                 | 153010          | 4           | #6 Star Washer                                   |
| 7                 | 152000          | 4           | #6-32 Hex Nut                                    |

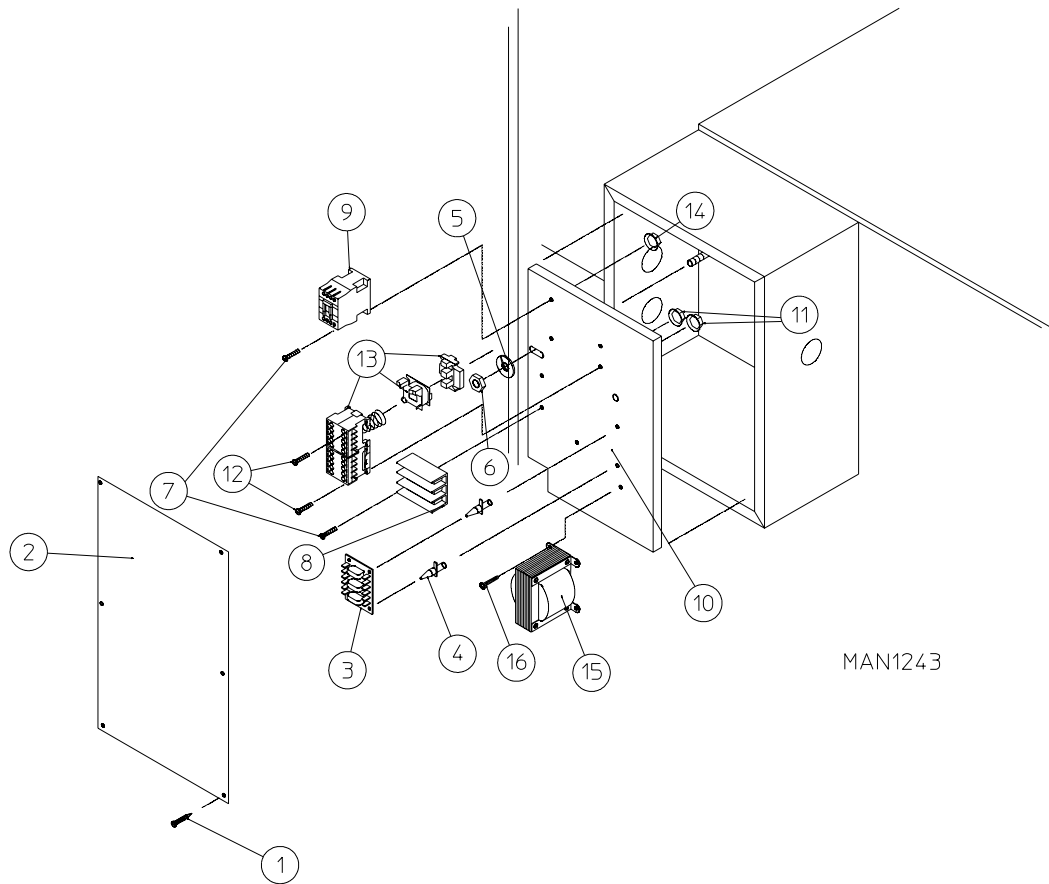
# Sail Switch Assembly



MAN0440

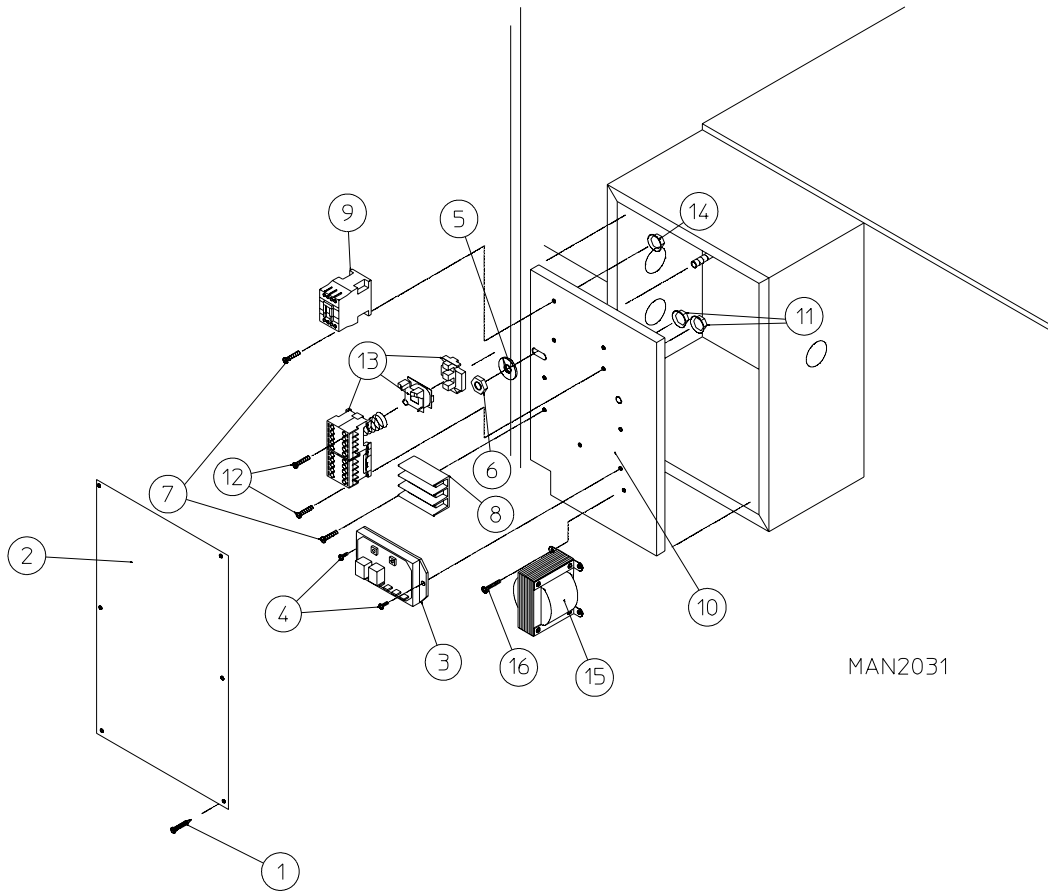
| <u>Illus. No.</u> | <u>Part No.</u> | <u>Qty.</u> | <u>Description</u>   |
|-------------------|-----------------|-------------|--|
| 1                 | 105500          | 1           | Sail Switch Actuator Rod   |
| 2                 | 319202          | 1           | Sail Switch Damper (flat)  |
| 3                 | 154002          | 1           | 1/8" Push-On Fastener  |
| 4                 | 802800          | 1           | Sail Switch Box with Cover and Bracket ONLY  |
|                   | 802801          | 1           | Sail Switch Box Assembly Complete<br>(includes illus. nos. 1 through 4 and 6 through 10) |
| 5                 | 150300          | 2           | #10 x 1/2" Hex Washer TEK Screw  |
| 6                 | 150303          | 2           | #4 x 3/4" Pan Head "A" Machine Screw   |
| 7                 | 122200          | 1           | Sail Switch ONLY   |
| 8                 | 802799          | 1           | Sail Switch Box Cover and Bracket  |
| 9                 | 150415          | 2           | #10-16 x 1/2" Phillips Round Head Crimptite Screw  |
| 10                | 154004          | 1           | Twin Speed Nut   |

# Microprocessor Reversing Control Box Assembly

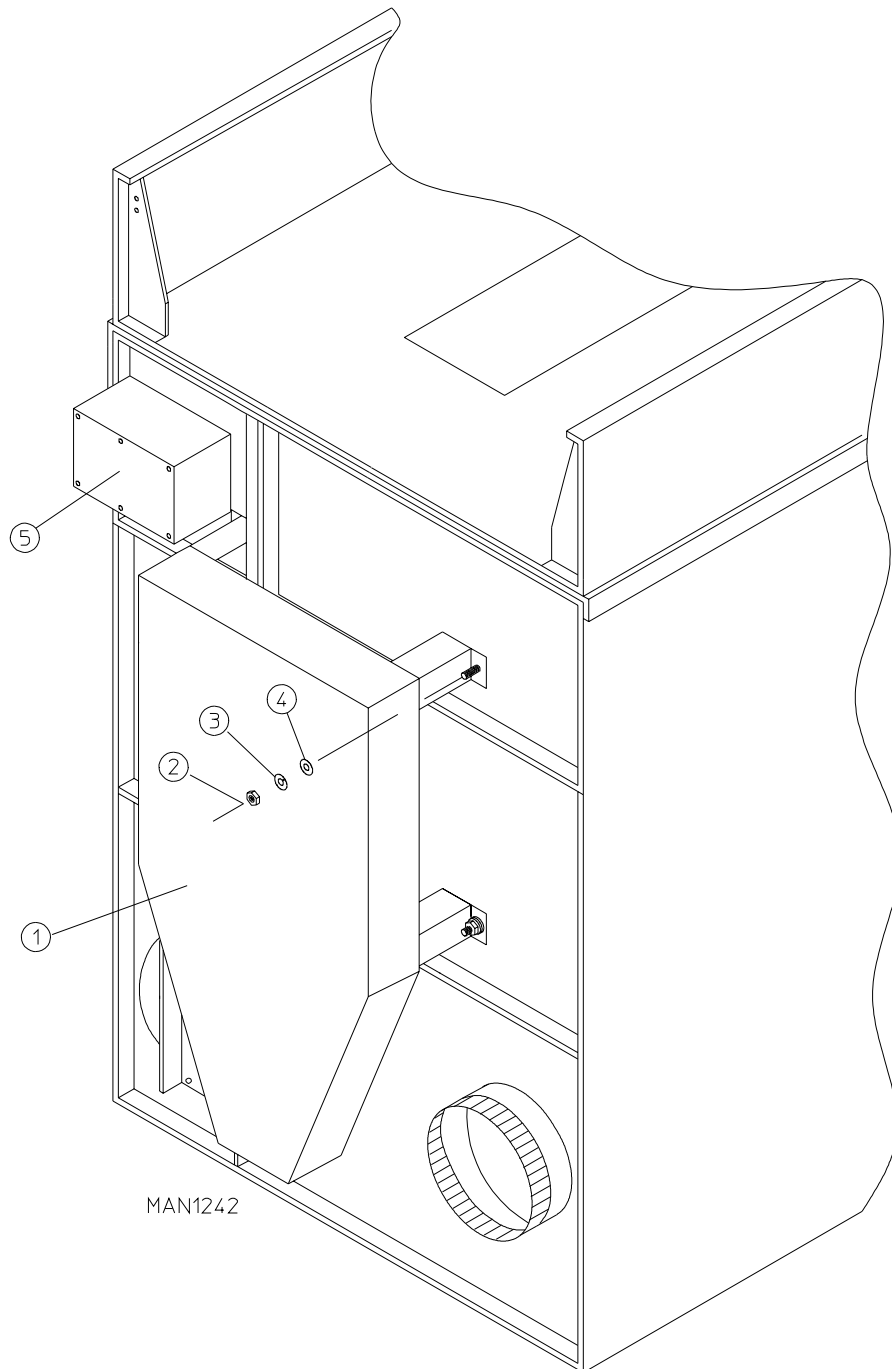


| Illus. No. | Part No. | Qty. | Description  |
|------------|----------|------|--|
| 1          | 150301   | 6    | #8-18 x 7/16" Phillips Pan Head TEK Screw  |
| 2          | 322815   | 1    | Control Box Cover Plate (8-1/2" x 15-1/2")<br>(for models mfd. as of January 4, 1993)  |
|            | 322808   | 1    | Control Box Cover Plate (8-1/2" x 12")<br>(for models mfd. prior to January 4, 1993)   |
| 3          | 137060   | 1    | Arc Suppressor Board (3)   |
| 4          | 137013   | 4    | Nylon Standoff   |
| 5          | 153002   | 1    | 5/16" Lock Washer  |
| 6          | 152004   | 1    | 5/16-18 Hex Nut  |
| 7          | 150108   | 4    | #8-32 x 1/2" Pan Head Machine Screw  |
| 8          | 120704   | 1    | 3-Position Power Distribution Block  |
| 9          | 132445   | 1    | Impellor (Fan / Blower) Contactor  |
| 10         | 322816   | 1    | Contacting Mounting Panel (7" x 15-1/2")<br>(for models mfd. as of January 4, 1993)    |
|            | 322807   | 1    | Contacting Mounting Panel (7" x 10-1/2")<br>(for models mfd. prior to January 4, 1993) |
| 11         | 151001   | 4    | #8-32 Pal Nut  |
| 12         | 150108   | 4    | #8-32 x 1/2" Pan Head Machine Screw  |
| 13         | 132431   | 1    | Reversing Contactor – 24 VAC   |
|            | 132432   | 1    | Contacting Replacement Coil – 24 VAC   |
| 14         | 151001   | 4    | #8-32 Pal Nut  |
| 15         | 132023   | 1    | 208-240 Volt Step Down Transformer – 24 VAC  |
|            | 132059   | 1    | 380 Volt Step Down Transformer – 24 VAC  |
|            | 132062   | 1    | 416 Volt Step Down Transformer – 24 VAC  |
|            | 132053   | 1    | 460 / 480 Volt Step Down Transformer – 24 VAC  |
| 16         | 150300   | 2    | #10 x 1/2" Hex Washer TEK Screw  |

# Timer Reversing Control Box Assembly



| Illus. No. | Part No. | Qty. | Description  |
|------------|----------|------|--|
| 1          | 150301   | 6    | #8-18 x 7/16" Phillips Pan Head TEK Screw  |
| 2          | 322815   | 1    | Control Box Cover Plate (8-1/2" x 15-1/2")<br>(for models mfd. as of January 4, 1993)  |
|            | 322808   | 1    | Control Box Cover Plate (8-1/2" x 12")<br>(for models mfd. prior to January 4, 1993)   |
| 3          | 132198   | 1    | Reversing Timer (50/60 Hz) – 24 VAC  |
| 4          | 150108   | 2    | #8-32 x 1/2" Pan Head Machine Screw  |
| 5          | 153002   | 1    | 5/16" Lock Washer  |
| 6          | 152004   | 1    | 5/16-18 Hex Nut  |
| 7          | 150108   | 4    | #8-32 x 1/2" Pan Head Machine Screw  |
| 8          | 120704   | 1    | 3-Position Power Distribution Block  |
| 9          | 132445   | 1    | Impellor (Fan / Blower) Contactor  |
| 10         | 322816   | 1    | Contacting Mounting Panel (7" x 15-1/2")<br>(for models mfd. as of January 4, 1993)    |
|            | 322807   | 1    | Contacting Mounting Panel (7" x 10-1/2")<br>(for models mfd. prior to January 4, 1993) |
| 11         | 151001   | 4    | #8-32 Pal Nut  |
| 12         | 150108   | 4    | #8-32 x 1/2" Pan Head Machine Screw  |
| 13         | 132431   | 1    | Reversing Contactor – 24 VAC   |
|            | 132432   | 1    | Contacting Replacement Coil – 24 VAC   |
| 14         | 151001   | 4    | #8-32 Pal Nut  |
| 15         | 132023   | 1    | 208-240 Volt Step Down Transformer – 24 VAC  |
|            | 132059   | 1    | 380 Volt Step Down Transformer – 24 VAC  |
|            | 132062   | 1    | 416 Volt Step Down Transformer – 24 VAC  |
|            | 132053   | 1    | 460 / 480 Volt Step Down Transformer – 24 VAC  |
| 16         | 150300   | 2    | #10 x 1/2" Hex Washer TEK Screw  |



MAN1242

| <u>Illus. No.</u> | <u>Part No.</u> | <u>Qty.</u> | <u>Description</u>  |
|-------------------|-----------------|-------------|---|
| 1                 | 820908          | 1           | Back Guard Assembly (for Gas Models)  |
|                   | 820978          | 1           | Back Guard Assembly (for Steam Models)  |
| 2                 | 152004          | 4           | 3/8-16 Hex Nut  |
| 3                 | 153002          | 4           | 3/8" Lock Washer  |
| 4                 | 153001          | 4           | 3/8" Flat Washer  |
| 5                 | 322815          | 1           | Control Box Cover Plate (8-1/2" x 15-1/2")<br>(for models mfd. as of January 4, 1993) |
|                   | 322808          | 1           | Control Box Cover Plate (8-1/2" x 12")<br>(for models mfd. prior to January 4, 1993)  |

## *Additional Parts Available*

---

| <u>Part No.</u> | <u>Description</u>                                 |
|-----------------|--|
| 112027          | "Water Washed Fabrics" Label                       |
| 112040          | "Lint Compartment" Label                           |
| 112041          | "Caution – Exhausted" Label                        |
| 112534          | "Phase 5 OPL Program Location Summary" Label       |
| 117505          | Aluminum Duct Tape (sold by the foot)              |
| 120100          | 3/8" Straight (BX) Connector                       |
| 120300          | 3/8" x 45° (BX) Connector                          |
| 120400          | 3/8" Red Jacket (BX) Insulator                     |
| 120500          | 3/8" Jiffy Clip (BX Retainer Clip)                 |
| 120600          | 3/8" Greenfield (BX)                               |
| 120800          | 1/4" In-Line Connector                             |
| 120802          | Red Butt Connector                                 |
| 120902          | #74B Wire Nut                                      |
| 120903          | Crimp-On Wire Nut                                  |
| 121014          | 1/4" Insulated (female) Terminal                   |
| 121499          | 4" Harness Tie                                     |
| 121500          | 7" Harness Tie                                     |
| 121503          | Harness Tie Mounting Clip                          |
| 122804          | Manometer (water column test gauge)                |
| 404500          | Almond Brush-In-Cap Bottle Touch-Up Paint          |
| 404502          | White Brush-In-Cap Bottle Touch-Up Paint           |
| 404506          | Almond "B" Brush-In-Cap Bottle Touch-Up Paint      |
| 404507          | Cornflower Blue Brush-In-Cap Bottle Touch-Up Paint |





