



AD-235ED Parts Manual

24 VAC Phase 5

1999/2000

American Dryer Corporation
88 Currant Road
Fall River, MA 02720-4781
Telephone: (508) 678-9000 / Fax: (508) 678-9447
E-mail: techsupport@amdry.com

Retain This Manual In A Safe Place For Future Reference

American Dryer Corporation products embody advanced concepts in engineering, design, and safety. If this product is properly maintained, it will provide many years of safe, efficient, and trouble-free operation.

ONLY qualified technicians should service this equipment.

OBSERVE ALL SAFETY PRECAUTIONS displayed on the equipment or specified in the installation manual included with the dryer.

The following “**FOR YOUR SAFETY**” caution **must be** posted near the dryer in a prominent location.

FOR YOUR SAFETY

Do not store or use gasoline or other flammable vapors or liquids in the vicinity of this or any other appliance.

POUR VOTRE SÉCURITÉ

Ne pas entreposer ni utiliser d'essence ni d'autres vapeurs ou liquides inflammables dans le voisinage de cet appareil ou de tout autre appareil.

We have tried to make this manual as complete as possible and hope you will find it useful. **ADC** reserves the right to make changes from time to time, without notice or obligation, in prices, specifications, colors, and material, and to change or discontinue models.

Important

For your convenience, log the following information:

DATE OF PURCHASE _____ **MODEL NO.** AD-235ED

RESELLER'S NAME _____

Serial Number(s) _____

Replacement parts can be obtained from your reseller or the **ADC** factory. When ordering replacement parts from the factory, you can FAX your order to **ADC** at (508) 678-9447 or telephone your order directly to the **ADC** Parts Department at (508) 678-9000. Please specify the dryer **model number** and **serial number** in addition to the **description** and **part number**, so that your order is processed accurately and promptly.

The illustrations on the following pages may not depict your particular dryer exactly. The illustrations are a composite of the various dryer models. Be sure to check the descriptions of the parts thoroughly before ordering.

“IMPORTANT NOTE TO PURCHASER”

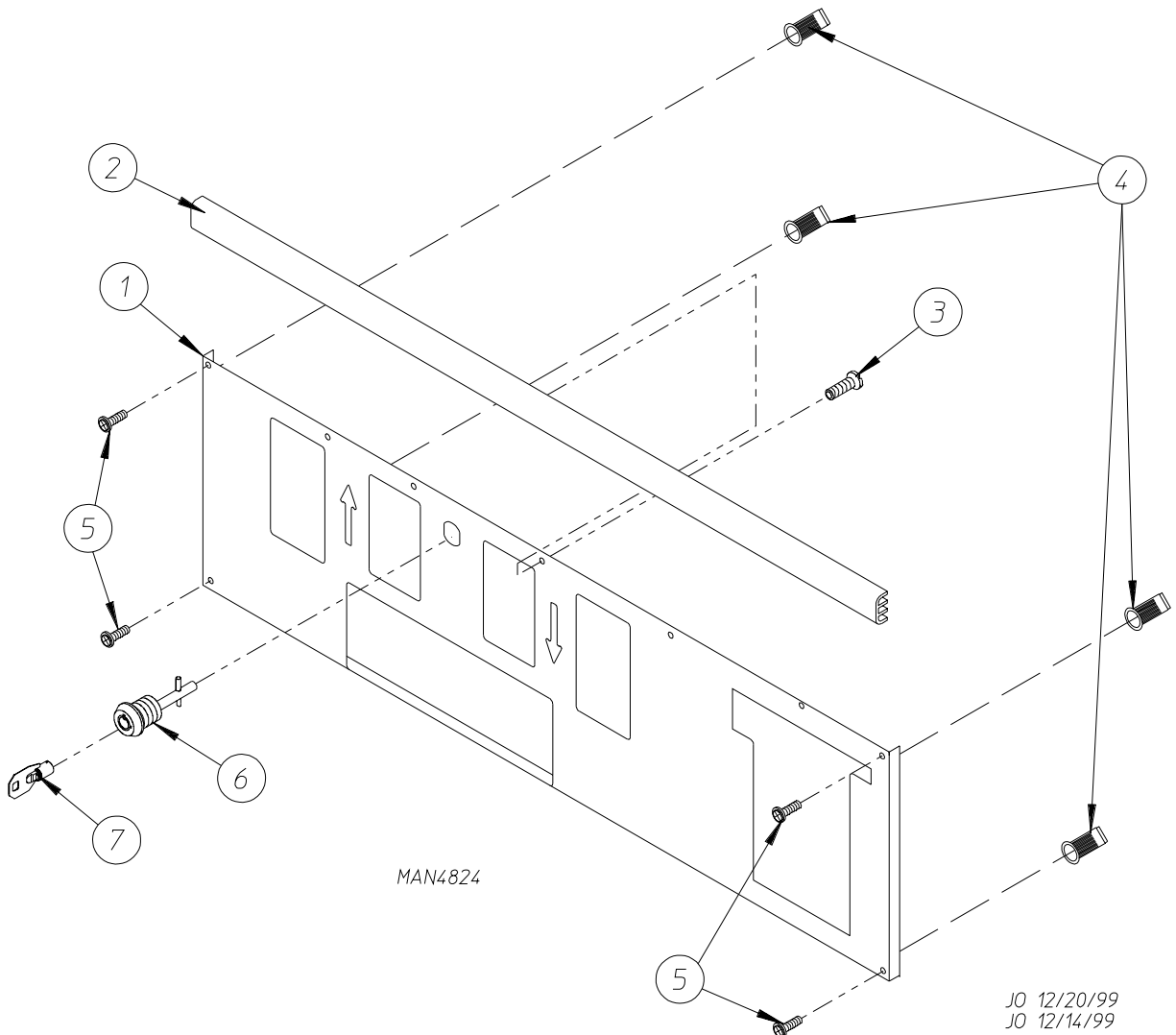
Information **must be** obtained from your local gas supplier on the instructions to be followed if the user smells gas. These instructions **must be** posted in a prominent location near the dryer.

Table of Contents

Locking Control Door Assembly	
For Models Mfd. as of December 14, 1999	2
Control Door Assembly	
For Models Mfd. prior to December 14, 1999	3
Coin Microprocessor Control Panel/Box Assemblies	
For Models Mfd. as of December 2, 1999	4, 5
Coin Microprocessor Control Panel/Box Assemblies	
For Models Mfd. prior to December 2, 1999	6, 7
Top Front Panel Assembly	8
Bottom Front Panel Assembly	9
Main Door Switch Assembly	10
Main Door Assembly	11
Basket (Tumbler)/Support Assembly	12
Lint Drawer Assembly	13
Lint Drawer Switch Assembly	14
Upper Pocket Sensor Bracket Assembly	15
Lower Pocket Sensor Bracket Assembly	16
Idler Bearing Assembly	17
Basket (Tumbler) Bearing Assembly	18, 19
Totally Enclosed, Fan-Cooled (T.E.F.C.) Motor Mount Assembly	20, 21
Direct Spark Ignition (DSI) Gas Valve/Burner Assembly	22, 23
Gas Piping Assembly	24
Gas Burner Assembly	25
Sail Switch Assembly	26
3-Phase (3Ø) Motor, Electrical Relay Panel Assembly	27
Back Guard Assembly	28
Exhaust Ducting Assembly	29
Microprocessor Coin Acceptor Listing	30
Additional Parts Available	31

Locking Control Door Assembly

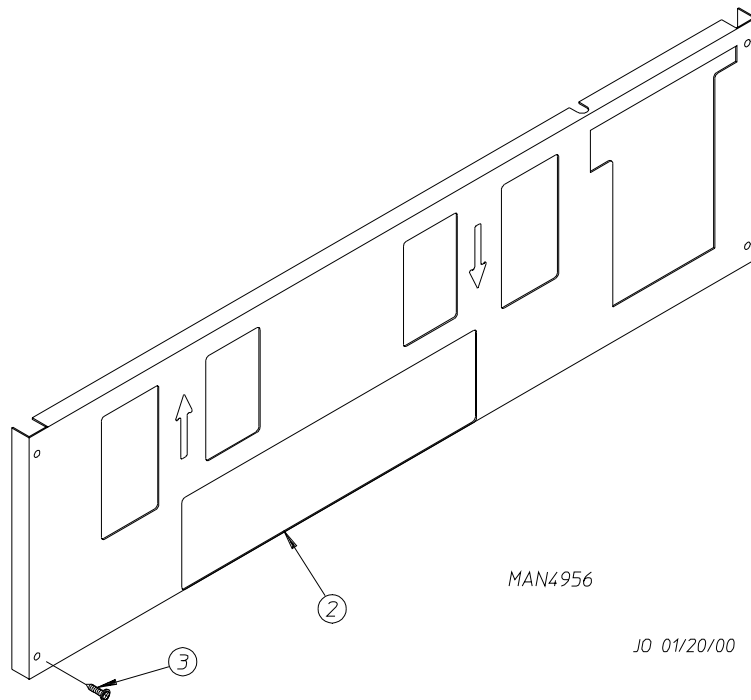
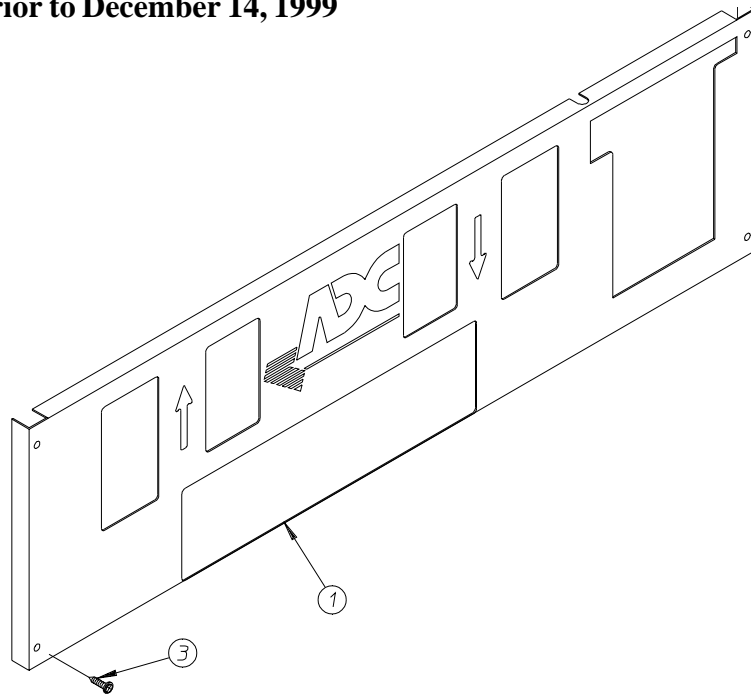
For Models Mfd. as of December 14, 1999



<u>Illus. No.</u>	<u>Part No.</u>	<u>Qty.</u>	<u>Description</u>
1	882463	1	White Locking Control Door Complete (includes illus. nos. 1, 2, and 3)
	882464	1	Almond Locking Control Door Complete (includes illus. nos. 1, 2, and 3)
	882465	1	Blue Locking Control Door Complete (includes illus. nos. 1, 2, and 3)
2	882601	1	Black Trim (for models mfd. as of December 14, 1999)
	180225	1	Gray Trim (29.65" length) (for models mfd. prior to December 14, 1999)
3	150201	5	#10-32 x 1/4" Phillips Round Head Machine Screw
4	152103	4	Rivnut
5	150212	4	#10-32 x 5/16" Phillips Pan Head Stainless Steel Machine Screws
6	160040	1	ACE® Control Door Lock
7	160140	1	ACE® Key xx4451

Control Door Assembly

For Models Mfd. prior to December 14, 1999



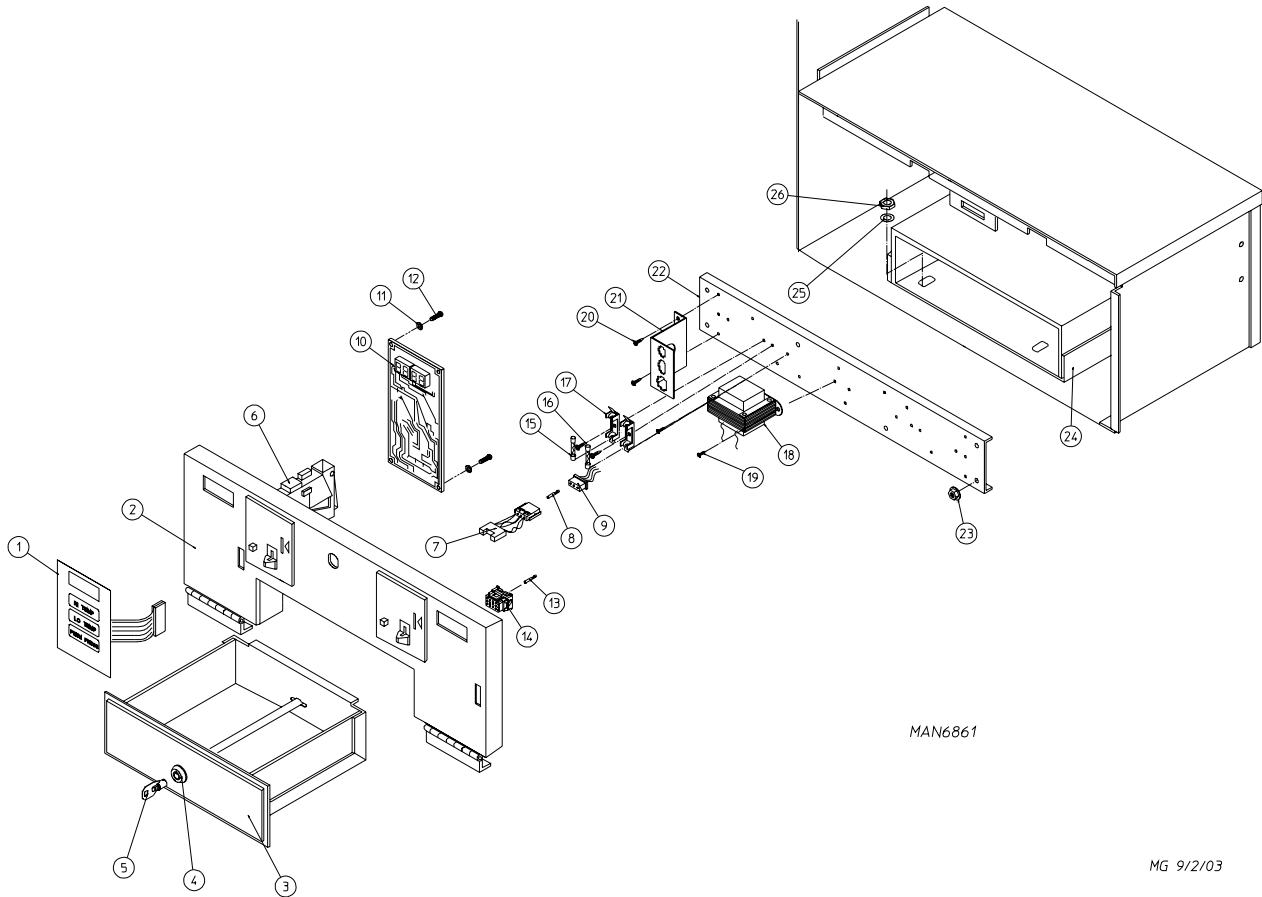
MAN4956

JO 01/20/00

<u>Illus. No.</u>	<u>Part No.</u>	<u>Qty.</u>	<u>Description</u>
1	882413	1	Almond "ADC" Control Door
	882412	1	White "ADC" Control Door
	882414	1	Blue "ADC" Control Door
2	882415	1	White Control Door
	882416	1	Almond Control Door
	882417	1	Blue Control Door
3	150212	4	#10-32 x 5/16" Phillips
	150309	4	#10-16 x 1/2" Hex Head TEK Crimptite Screw
--	152103	4	Rivnuts ... Not Illustrated

Coin Microprocessor Control Panel/Box Assemblies

For Models Mfd. as of December 2, 1999



NOTE: Duplicate **ALL** components for right hand side of control box.

<u>Illus. No.</u>	<u>Part No.</u>	<u>Qty.</u>	<u>Description</u>
1	112526	1	Coin Keyboard (touch pad) Label Assembly
2	882469	1	Control Panel Assembly Less Acceptor (includes illus. nos. 1, 2, 10, 11, and 12)
3	882472	1	White Coin Box Complete Assembly Less Lock
	882473	1	Almond Coin Box Complete Assembly Less Lock
	882474	1	Blue Coin Box Complete Assembly Less Lock
4	160042	1	ACE® Standard Coin Box Lock Assembly ONLY with Key
5	160136*	1	Key ONLY (for standard coin box lock)
6	-----	1	Microprocessor Single Coin Acceptor with Optical Switch (refer to Microprocessor Coin Acceptor Listing on page 30)
7	881163**	1	Optical Switch ONLY (Hanke)

Coin Microprocessor Control Panel/Box Assemblies (continued)

For Models Mfd. as of December 2, 1999

<u>Illus. No.</u>	<u>Part No.</u>	<u>Qty.</u>	<u>Description</u>
8	137021***	3	Microprocessor Socket ONLY
9	137023**	1	Optical Switch Connector ONLY
	880772	1	Single Coin Optic Switch Harness
	824080	1	Dual Coin Optic Switch Harness
10	137213	1	Phase 5 Coin Controller ONLY
	824998	1	Phase 5 Battery Clip
11	153010	2	#6 Star Washer
12	150005	2	#6-32 x 1/4" Phillips Round Head Machine Screw
13	122706***	15	Microprocessor Socket ONLY
14	122641	1	15-Pin Microprocessor Connector ONLY
	122800	1	Microprocessor (female) Pin Extraction Tool
15	136057	1 or 2	1/2-Amp (slo blo) Fuse
16	150002	1 or 2	#6-32 x 1" Round Head Machine Screw
17	136008	1 or 2	3-Position Fuse Block
18	826329	1	208/240v Transformer Assembly
	826326	1	115v Transformer Assembly
19	150301	2	#8-8 x 7/16" Phillips Head TEK Screw
20	150301	2	#8-8 x 7/16" Phillips Head TEK Screw
21	353258	1	Rear Panel Connector Bracket
22	315028	1	Front Electrical Panel
	826343	1	Electric Panel Assembly 115v
	826342	1	Electric Panel Assembly 208v
23	151001	4	#8-32 Pal Nut
24	882699	1	White Coin Vault ONLY
	882700	1	Almond Coin Vault ONLY
	882701	1	Blue Coin Vault
25	153018	4	1/4" Flat Washer
26	152013	4	#6-32 Hex Nut

* Specify key number when ordering.

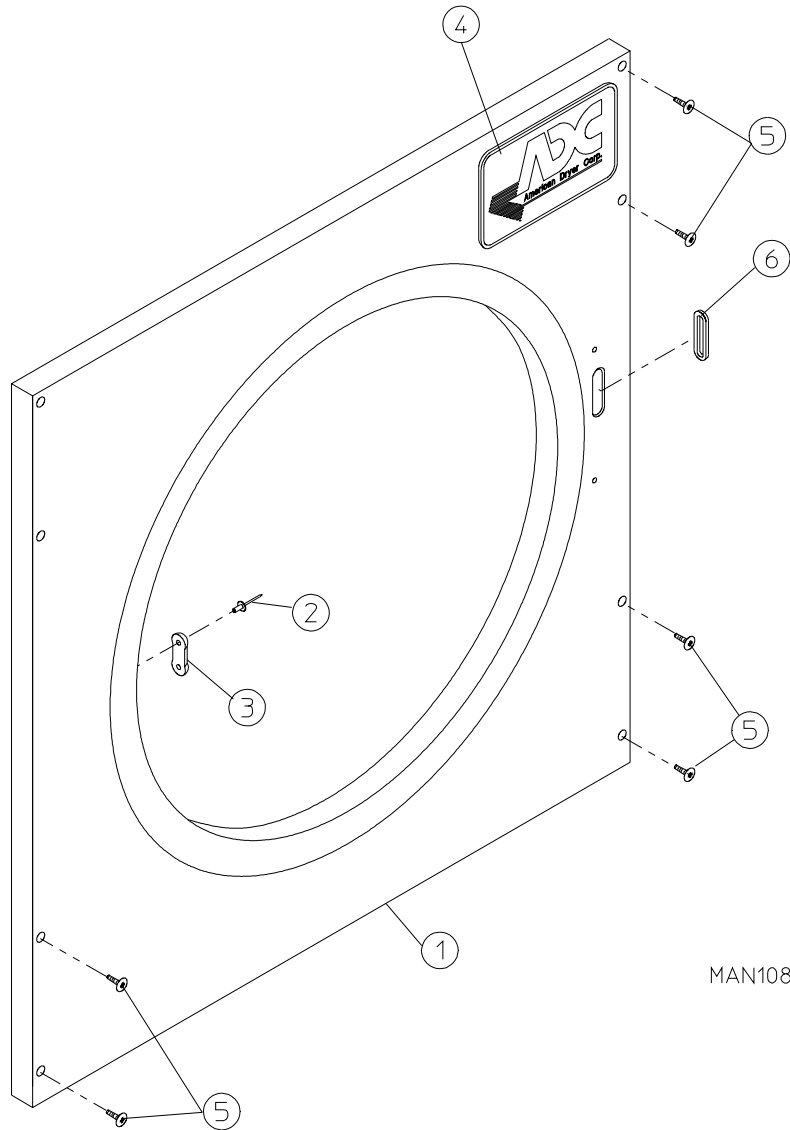
** For dual coin, double the quantity.

*** Quantity as required.

**** For use on high security coin vault ONLY.

IMPORTANT: Check label on computer chip to verify correct part number for microprocessor controller (computer).

Top Front Panel Assembly

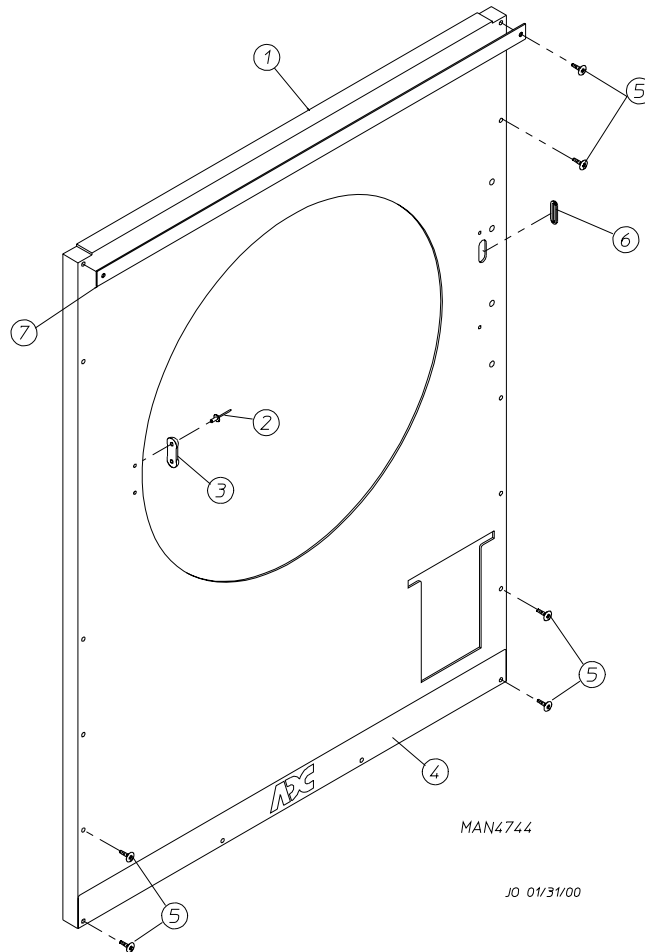


MAN1084

<u>Illus. No.</u>	<u>Part No.</u>	<u>Qty.</u>	<u>Description</u>
1	800692*	1	Right Hand Insulated Front Panel Assembly (includes illus. nos. 1, 2, 3, and 6)
2	154215	2	1/8" Pop Rivet
3	170330	1	Friction Door Latch
4	881053	1	ADC Logo (with adhesive tape)
	870011	1	Logo Double Tape Kit
5	150313	8	#10-16 x 1/2" TORX Plus Screw (for models mfd. as of October 2, 2000)
	150309	8	#10-16 x 1/2" Hex Head TEK Crimptite Screw (for models mfd. prior to October 2, 2000)
	400505	-	25IP TORX Plus Tip Bit (for removal of P/N 150313)
6	121405	1	Rubber Grommet

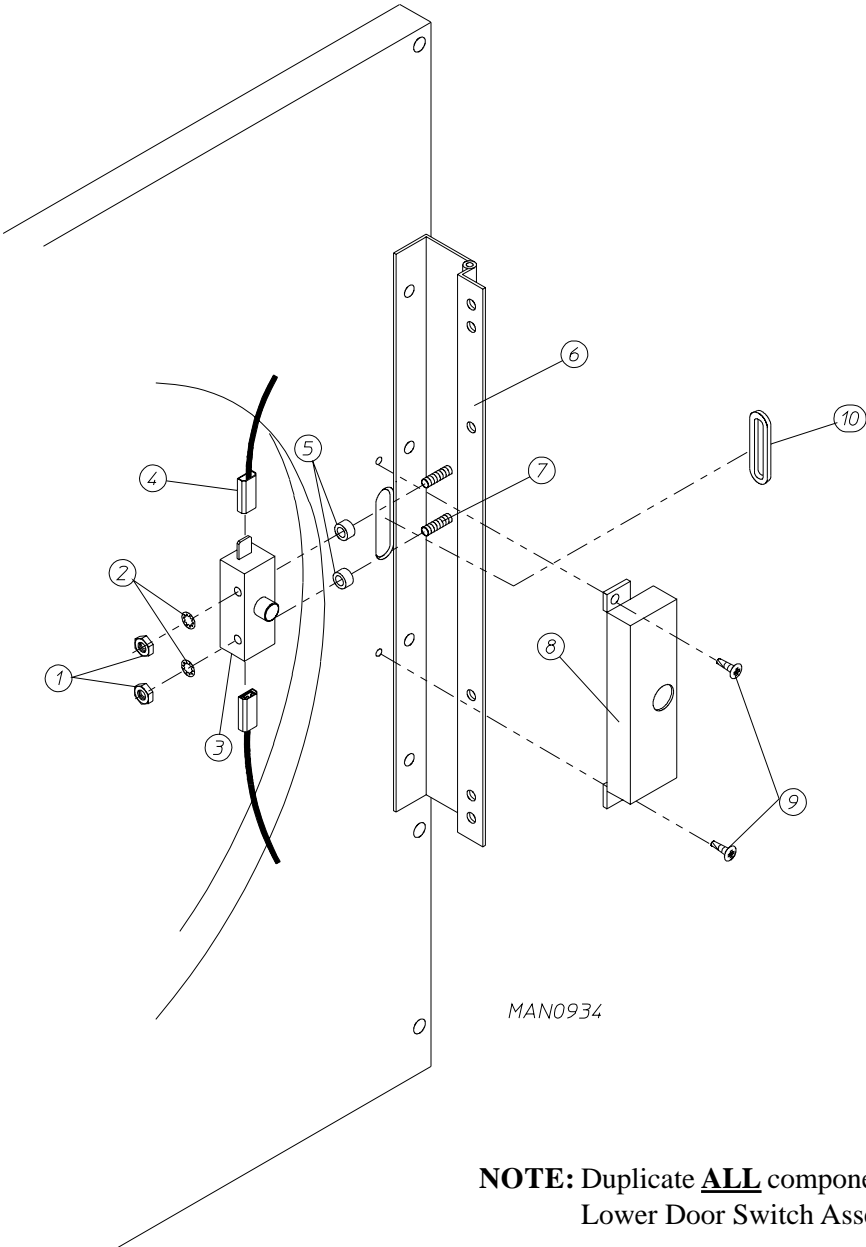
* Specify color when ordering.

Bottom Front Panel Assembly



<u>Illus. No.</u>	<u>Part No.</u>	<u>Qty.</u>	<u>Description</u>	
1	882418	1	Insulated White Bottom Front Panel With Trim (includes illus. nos. 1 through 6)	
	882419	1	Insulated Almond Bottom Front Panel With Trim (includes illus. nos. 1 through 6)	
	882420	1	Insulated Blue Bottom Front Panel with Trim (includes illus. nos. 1 through 6)	
	882432	1	Insulated White Bottom Front Panel Assembly (without trim) (includes 1, 2, 3, 5, and 6)	
	882433	1	Insulated Almond Bottom Front Panel Assembly (without trim) (includes 1, 2, 3, 5, and 6)	
	882434	1	Insulated Blue Bottom Front Panel Assembly (without trim) (includes 1, 2, 3, 5, and 6)	
	2	154215	2	1/8" Pop Rivet
	3	170330	1	Friction Door Latch
	4	315187	1	Kick Plate Trim
	5	150313	14	#10-16 x 1/2" TORX Plus Screw (for models mfd. as of October 2, 2000)
		150309		#10-16 x 1/2" Hex Head TEK Crimptite Screw (for models mfd. prior to October 2, 2000)
		400505		25IP TORX Plus Tip Bit (for removal of P/N 150313)
	6	121405	1	Rubber Grommet
	7	882602	1	Black Lower Front Panel Trim

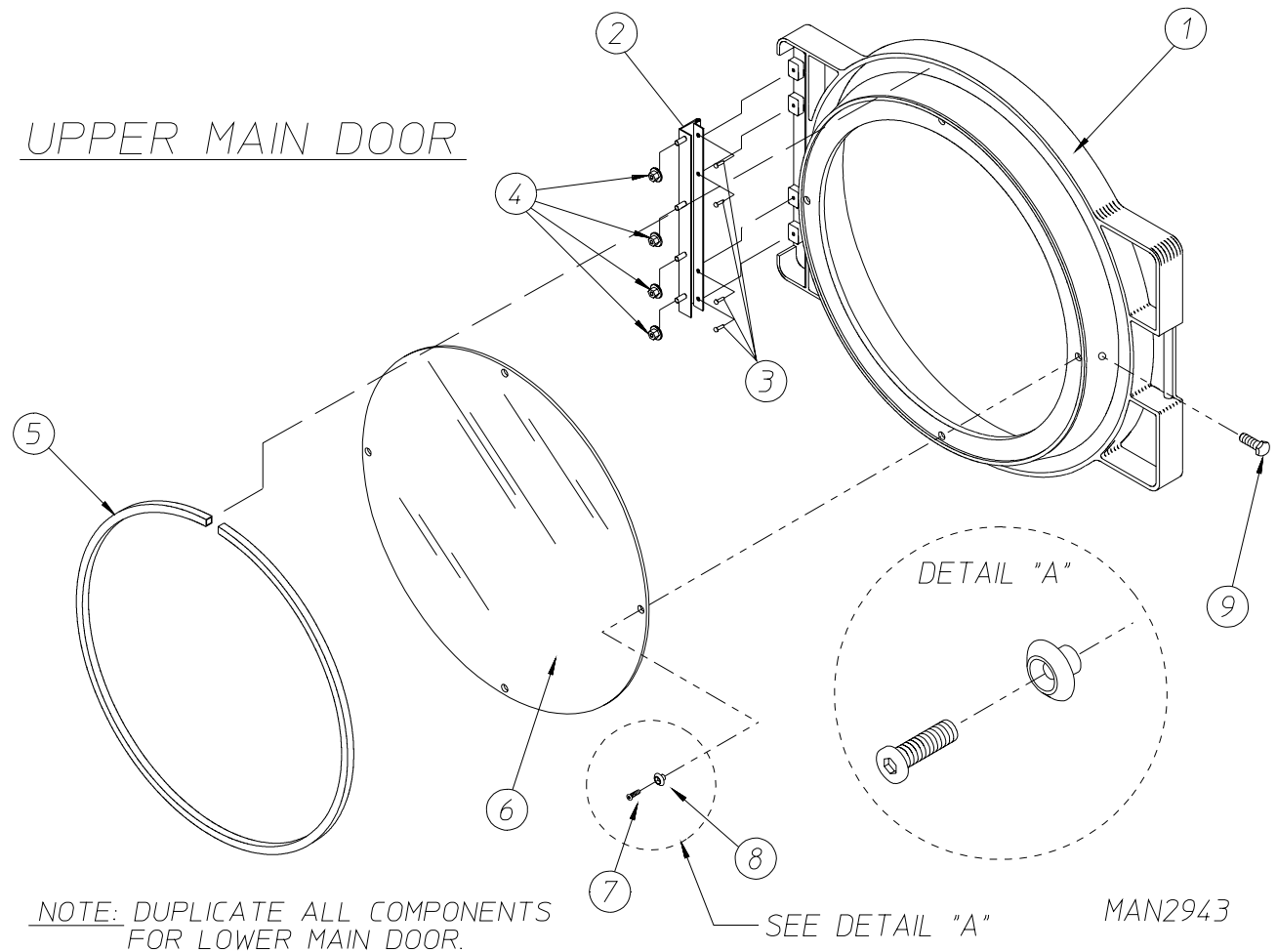
Main Door Switch Assembly



NOTE: Duplicate ALL components for Lower Door Switch Assembly.

<u>Illus. No.</u>	<u>Part No.</u>	<u>Qty.</u>	<u>Description</u>
1	152012	2	#6-32 Hex Nut
2	153008	2	#6 Lock Washer
3	137005	1	Single Pole Door Switch
4	121028	2	Insulated Female Terminal
5	154281	2	3/8" Standard Nylon Spacer
6	800448	1	12-1/2" Stainless Steel Main Door Hinge (includes illus. nos. 6 and 7)
7	153565	2	#6 Stud
8	881246	1	Main Door Switch Housing ONLY
9	150201	2	#10-32 x 1/4" Phillips Pan Head Screw
10	121405	1	Rubber Grommet

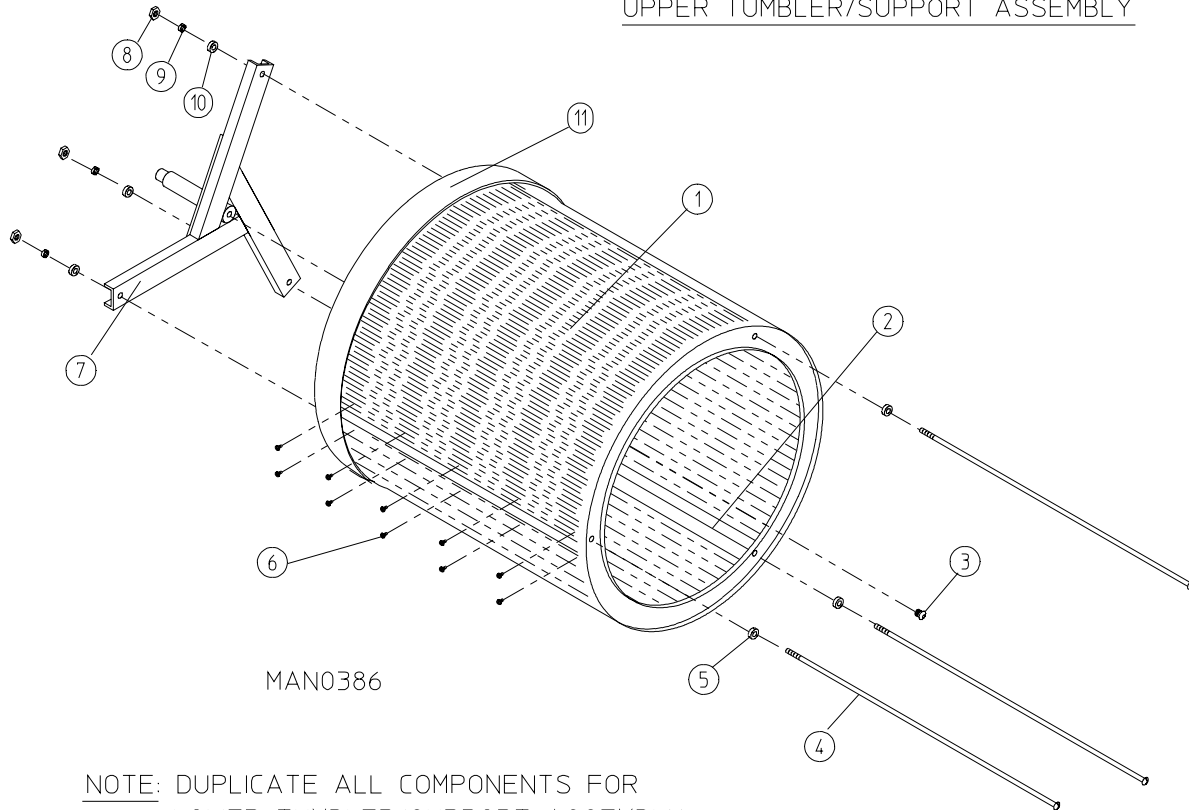
Main Door Assembly



<u>Illus. No.</u>	<u>Part No.</u>	<u>Qty.</u>	<u>Description</u>
1	881422	1	Black Plastic Main Door Assembly Complete with Mechanical Fasteners (includes illus. nos. 1 and 5 through 9)
2	800448	4	12-1/2" Stainless Steel Main Door Hinge Assembly
3	150410	4	#10-24 x 3/8" Phillips Pan Head Taptite Screw
4	152014	1	1/4-20 Free Spin Wash Nut
5	102353	1	Main Door Gasket
6	102212	1	20-7/16" Door Glass with Four (4) Holes
	170730	1	Main Door Glass Adhesive (10.3 oz. cartridge)
7	150448	4	1/2" Stainless Steel Flat Head Allen Screw
8	170319	4	Door Glass (nylon) Spacer
9	150431	1	Main Door Latch Screw (#10 x 7/16" dome hex head)

Basket (Tumbler)/Support Assembly

UPPER TUMBLER/SUPPORT ASSEMBLY

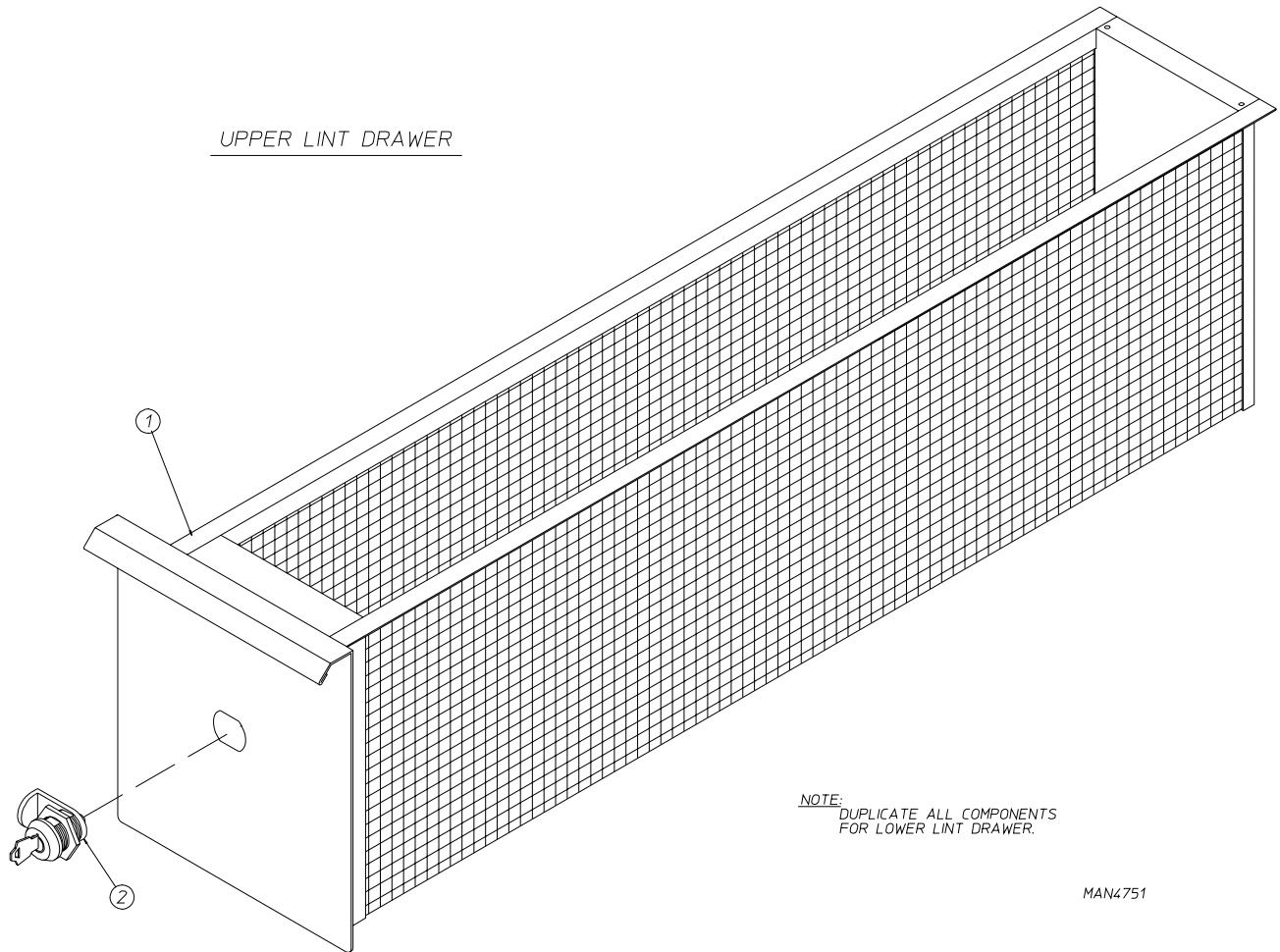


NOTE: DUPLICATE ALL COMPONENTS FOR LOWER TUMBLER/SUPPORT ASSEMBLY.

Illus. No.	Part No.	Qty.	Description
1	800831	1	Basket (tumbler) and Support Assembly Complete with Felt Collar (includes illus. nos. 1 through 11)
	800721*	1	Basket (tumbler) ONLY (includes illus. nos. 1, 2, and 6)
	800891	1	Stainless Steel Basket (tumbler) and Support Assembly Complete with Felt Collar (includes illus. nos. 1 through 11)
	800841*	1	Stainless Steel Basket (tumbler) ONLY (includes illus. nos. 1, 2, and 6)
2	301315	2	Short Basket (tumbler) Rib ONLY
	301316	1	Tall Basket (tumbler) Rib ONLY
	301414	2	Stainless Steel Short Basket (tumbler) Rib ONLY
	301415	1	Stainless Steel Tall Basket (tumbler) Rib ONLY
3	150518	1	5/16-18 x 3/8" Socket Button Head Screw
4	100902	3	5/16-18 x 31" Tie Rod
5	153001	3	5/16" Flat Washer
6	154210	30	5/32" x 3/16" Pop Rivet
7	800617	1	Basket (tumbler) Support ONLY
8	152004	3	5/16-18 Hex Nut
9	153002	3	5/16" Lock Washer
10	153001	3	5/16" Flat Washer
11	116003	1	Felt Collar ONLY
--	401010	1	#847 Adhesive For Felt Collar (5 oz. tube)

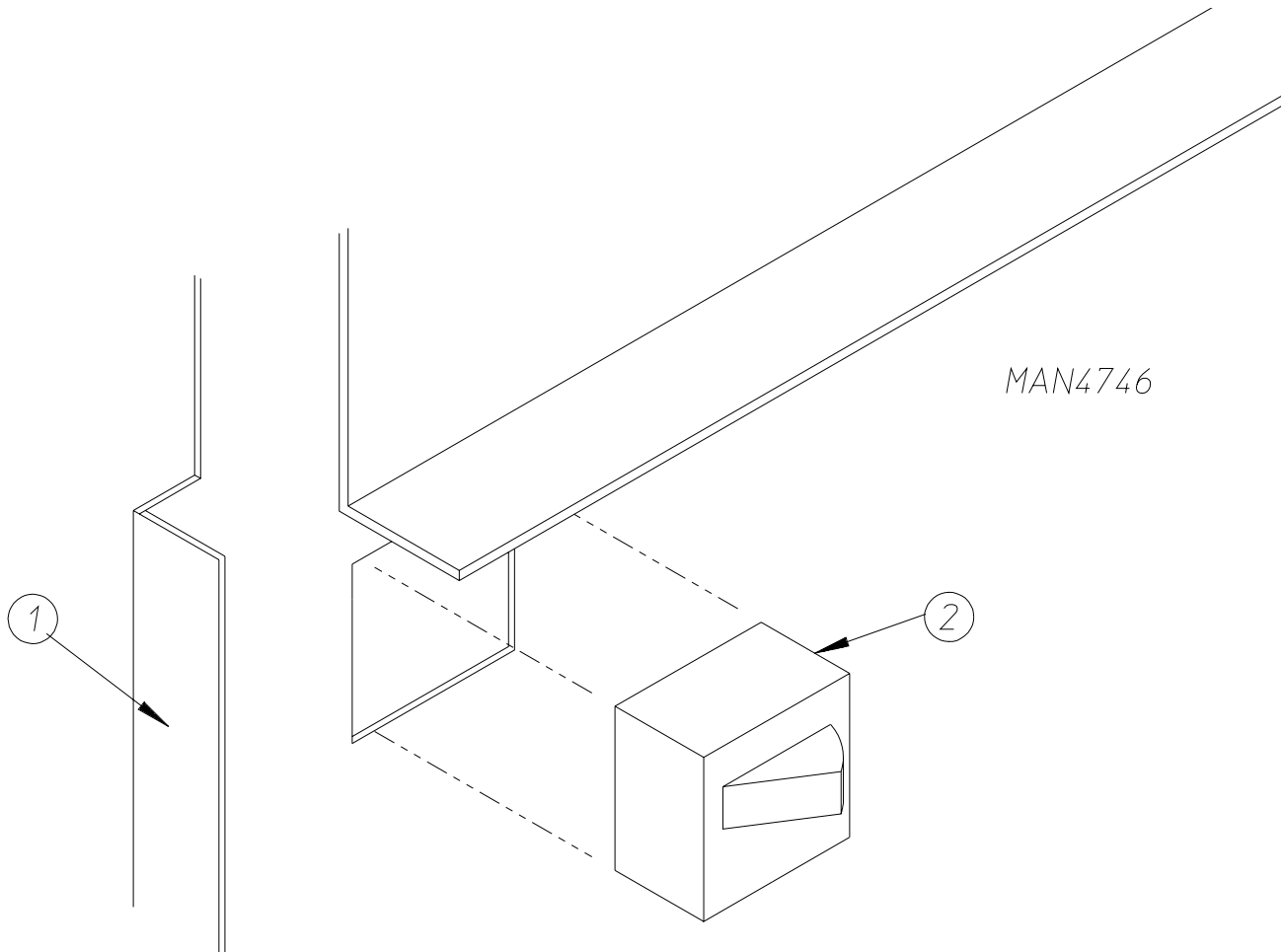
* Felt collar is not included and **must be** ordered separately.

Lint Drawer Assembly



<u>Illus. No.</u>	<u>Part No.</u>	<u>Qty.</u>	<u>Description</u>
1	882421	1	Locking External White Lint Drawer
	882422	1	Locking External Almond Lint Drawer
	882423	1	Locking External Blue Lint Drawer
	882479	1	External White Lint Drawer
	882480	1	External Almond Lint Drawer
	882481	1	External Blue Lint Drawer
2	882478	1	Lint Drawer Lock Assembly (with MK-100 key)

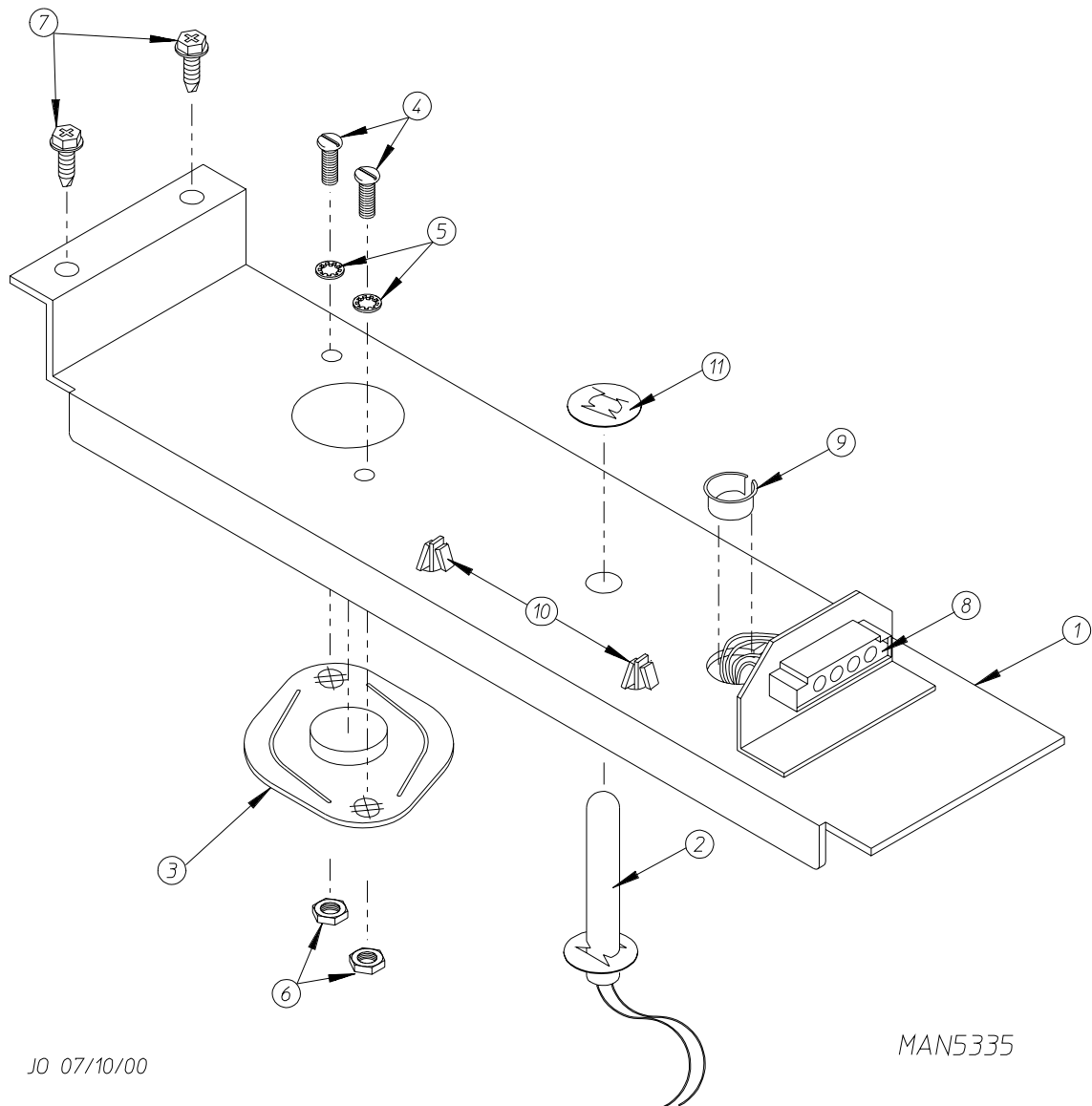
Lint Drawer Switch Assembly



<u>Illus. No.</u>	<u>Part No.</u>	<u>Qty.</u>	<u>Description</u>
1	800972	1	Lint Drawer Switch Box (for bottom pocket Only)
2	122002*	1	Lint Drawer Switch
--	150301	1	#8-18 x 7/16" Phillips Pan Head TEK Screw ... Not Illustrated (for bottom pocket Only)

* **(Note:** duplicate lint drawer switch for upper pocket).

Upper Pocket Sensor Bracket Assembly

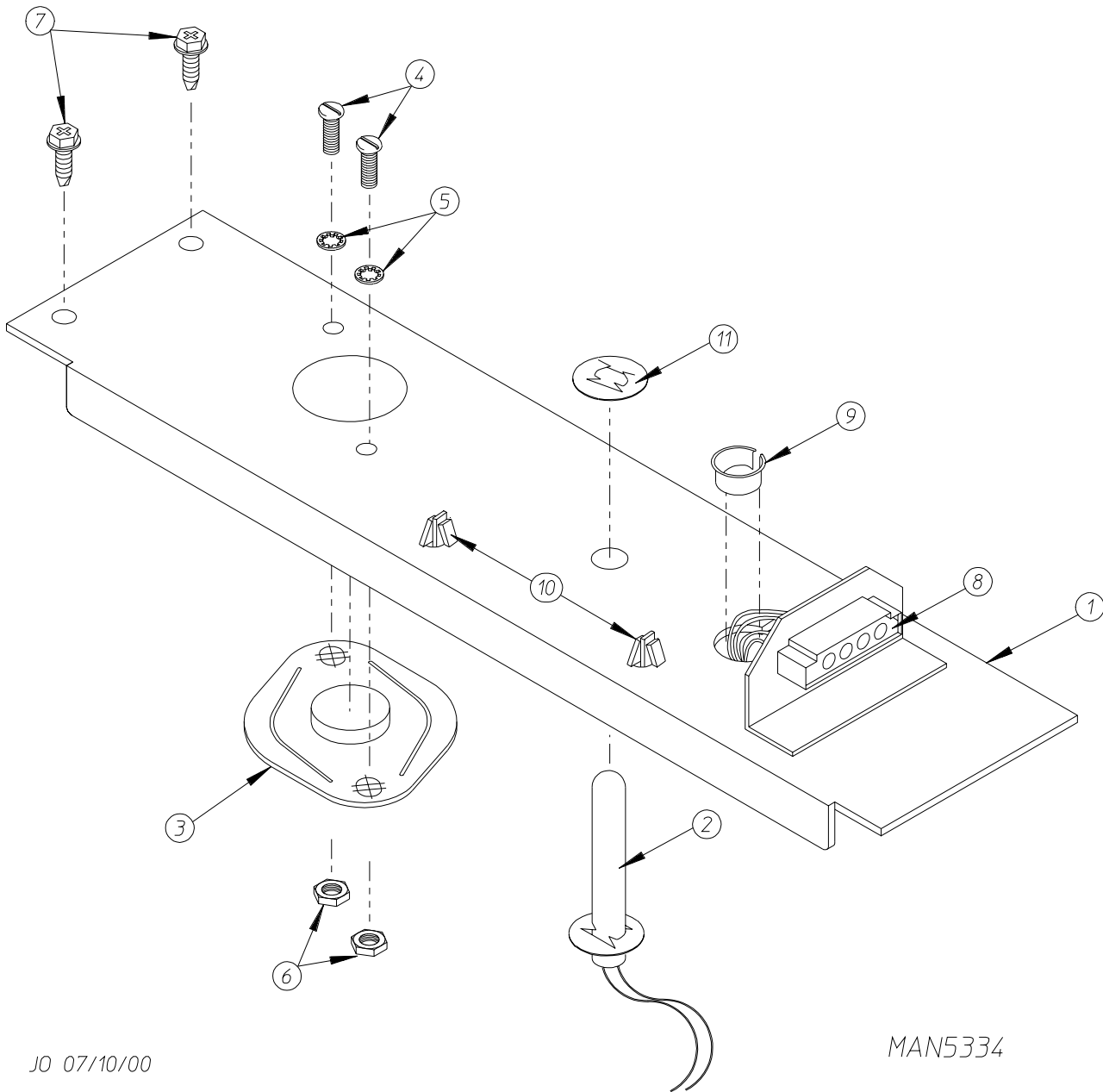


JO 07/10/00

MAN5335

Illus. No.	Part No.	Qty.	Description
1	882931	1	1/4" Temperature Sensor Probe Assembly (includes illus. nos. 1 through 4)
2	122605	1	4-Pin Socket Connector ONLY
3	122701	4	Socket Terminal ONLY
4	154007	2	1/4" Tinnerman Push On Fastener
5	150000	2	#6-32 x 1/4" Round Head Machine Screw
6	801428	1	Sensor Bracket Assembly Complete (includes illus. nos. 1 through 9)
	305107	1	Temperature Sensor Bracket ONLY
7	130301	1	225° Manual Reset Thermostat
8	153010	2	#6 Star Washer
9	152000	2	#6-32 Hex Nut
10	150301	2	#8-18 x 7/16" Phillips Pan Head TEK Screw
11	122604	1	4-Pin Connector ONLY
---	122700	4	Pin Terminal ONLY
---	122801	1	Pin/Socket Extraction Tool

Lower Pocket Sensor Bracket Assembly

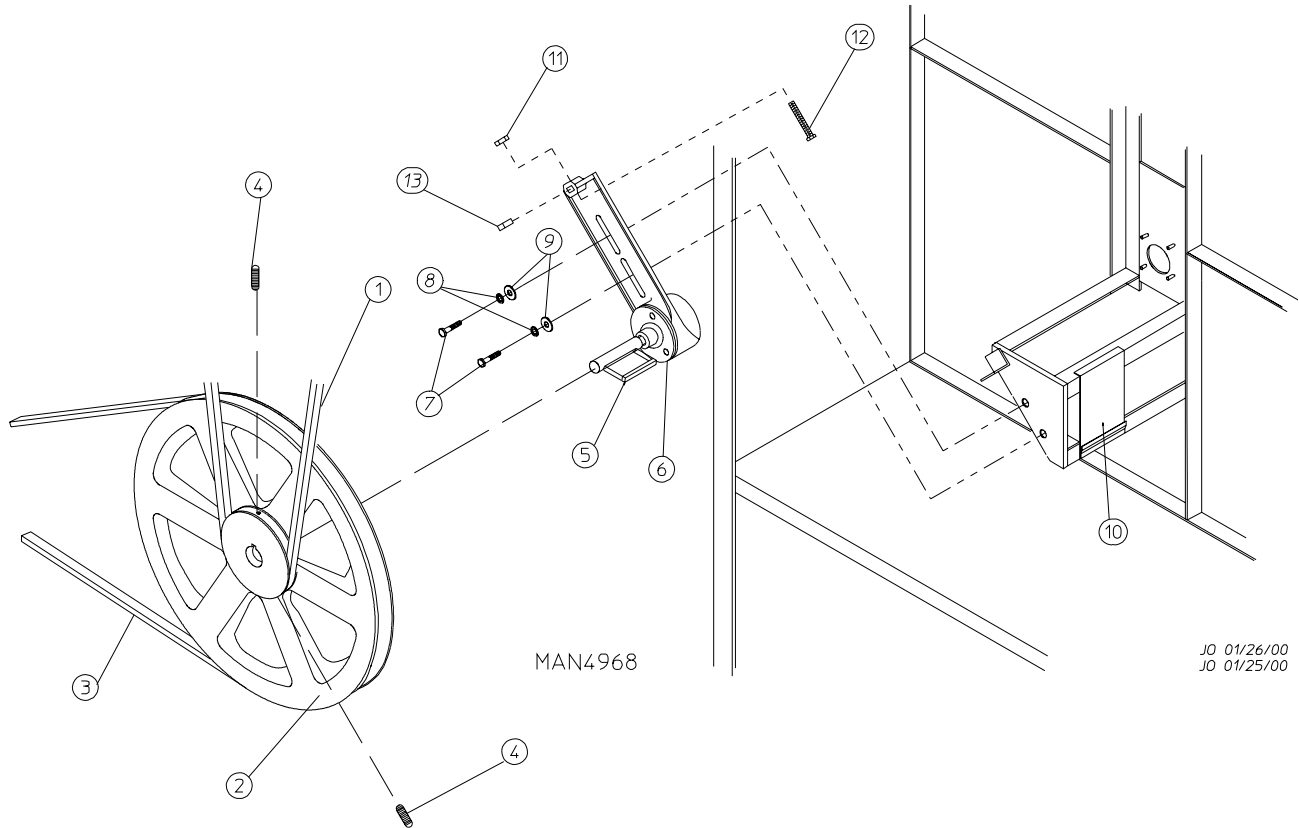


JO 07/10/00

MAN5334

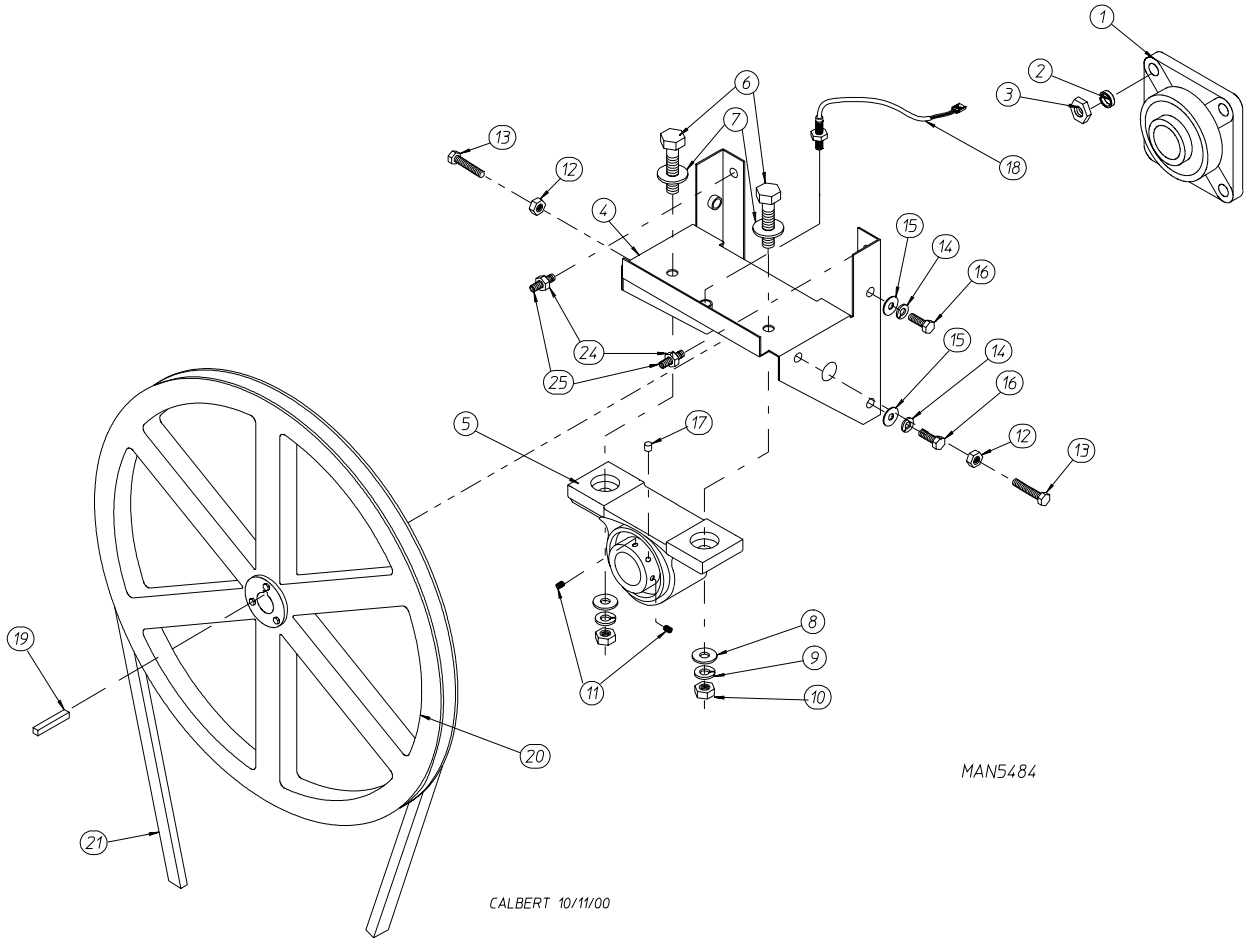
<u>Illus. No.</u>	<u>Part No.</u>	<u>Qty.</u>	<u>Description</u>
1	800770	1	Temperature Sensor Bracket ONLY
	882727	1	Temperature Sensor Bracket Complete (includes illus. nos. 1 through 11)
2	882931	1	Temperature Sensor Probe
3	130112	1	225° Automatic Reset Thermostat
4	150000	2	#6-32 x 1/4" Round Head Machine Screw
5	153010	2	#6 Star Washer
6	152000	2	#6-32 Hex Nut
7	150309	2	#10-16 x 1/2" Hex Head TEK Crimptite Screw
8	825092	1	Sensor Harness
9	121300	1	Open/Closed Bushing
10	121494	2	3/16" Push Mount Wire Tie
11	154007	2	1/4" Tinnerman Push On Fastener

Idler Bearing Assembly



<u>Illus. No.</u>	<u>Part No.</u>	<u>Qty.</u>	<u>Description</u>
1	100111	1	5L-650 V-Belt (to basket [tumbler] pulley) (for models mfd. as of March 13, 2000)
	100100	1	5L-660 V-Belt (to basket [tumbler] pulley) (for models mfd. prior to March 13, 2000)
2	101129	1	9" x 2-1/2" Pulley with 3/16" Key
3	100113	1	4L-400 V-Belt (to motor pulley) (for 60 Hz models Only)
	100115	1	4L-410 V-Belt (to motor pulley) (for 50 Hz models Only)
4	154301	2	5/16-18 x 5/16" Allen Setscrew
5	100705	1	3/16" x 3/16" x 1-3/8" Key
6	882777	1	Idler Bearing Assembly Complete (includes illus. nos. 5 through 9 and 11, 12, and 13)
7	150617	2	3/8-16 x 1" Hex Head Machine Bolt
8	153005	2	3/8" Lock Washer
9	153004	2	3/8" Flat Washer
10	-----	-	Direct Spark Ignition (DSI) Module Mounting Bracket (refer to Direct Spark Ignition [DSI] Gas Valve/Burner Assembly on page 22 and page 23)
11	152004	1	5/16-18 Hex Nut
12	150509	1	5/16-18 x 3" Hex Head Machine Bolt
13	152004	1	5/16-18 Hex Nut

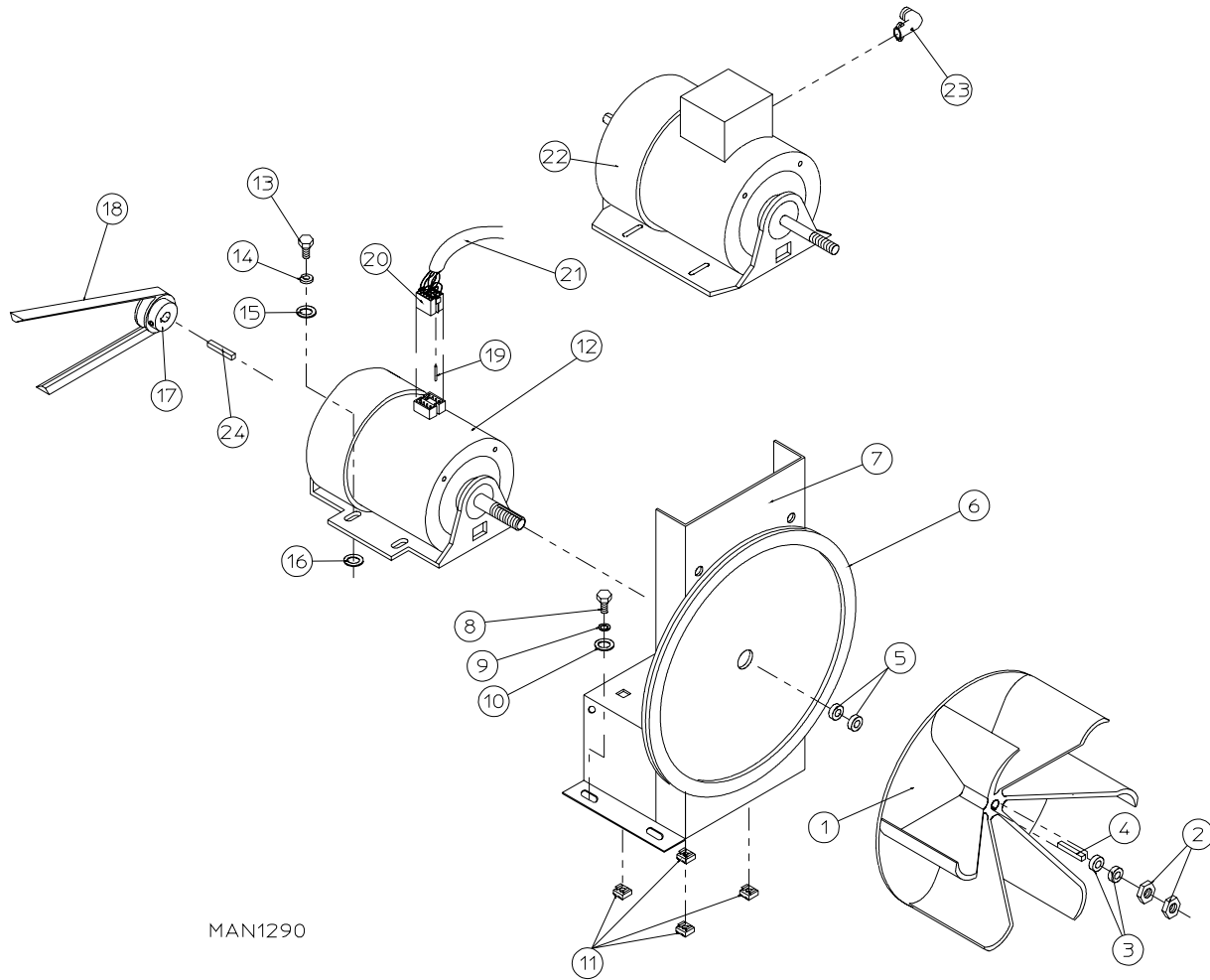
Basket (Tumbler) Bearing Assembly



Basket (Tumbler) Bearing Assembly

<u>Illus. No.</u>	<u>Part No.</u>	<u>Qty.</u>	<u>Description</u>
1	880203	1	1-3/8" Flange Bearing
2	153005	4	3/8" Lock Washer
3	152005	4	3/8-16 Hex Nut
4	882544	1	Pillow Block Bearing Assembly Complete (includes illus. nos. 4 through 17)
	882545	1	Pillow Block Bearing Assembly Complete with Rotational Sensor (includes illus. nos. 4 through 18)
	882542	1	Pillow Block Bearing Platform ONLY
	882543	1	Pillow Block Bearing Platform ONLY
5	880202	1	1-3/8" Pillow Block Bearing
	880779	1	1-3/8" Pillow Block Bearing (for models with optional rotation sensor assembly)
6	150601	2	3/8-16 x 2" Hex bolt
7	153004	2	3/8" Flat Washer
8	153004	2	3/8" Flat Washer
9	153005	2	3/8" Lock Washer
10	152005	2	3/8-16 Hex Nut
11	154326	2	5/16-24 x 3/8" Setscrew
12	152004	2	5/16-18 Hex Nut
13	150621	2	5/16-18 x 1-1/2" Tap Bolt Zinc
14	153002	4	5/16" Lock Washer
15	153004	6	3/8" Flat Washer
16	150501	4	5/16-18 x 3/4" Tap Bolt Zinc
17	102120	1	Sintered 8 Magnet (for models with optional rotation sensor assembly)
18	824807	1	Rotational Sensor Assembly (for models with optional rotation sensor assembly)
19	100713	1	1/4" x 1/4" x 1" Key
20	101100	1	18" Pulley
21	100111	1	5L-650 V-Belt (basket [tumbler] to idler) (for models mfd. as of March 13, 2000)
	100100	1	5L-660 V-Belt (basket [tumbler] to idler) (for models mfd. prior to March 13, 2000)

Totally Enclosed, Fan-Cooled (T.E.F.C.) Motor Mount Assembly



<u>Illus. No.</u>	<u>Part No.</u>	<u>Qty.</u>	<u>Description</u>
1	100604	1	12-1/2" Impellor with 1/2" Bore
2	152006	2	1/2-20 Left Hand Jam Nut
3	153050	*	1/2" S.A.E. Flat Washer
4	100702	1	1/8" x 1/8" x 1-1/2" Key
5	153050	*	1/2" S.A.E. Flat Washer
6	117604	4	Neoprene Sponge Tape (sold by the foot)

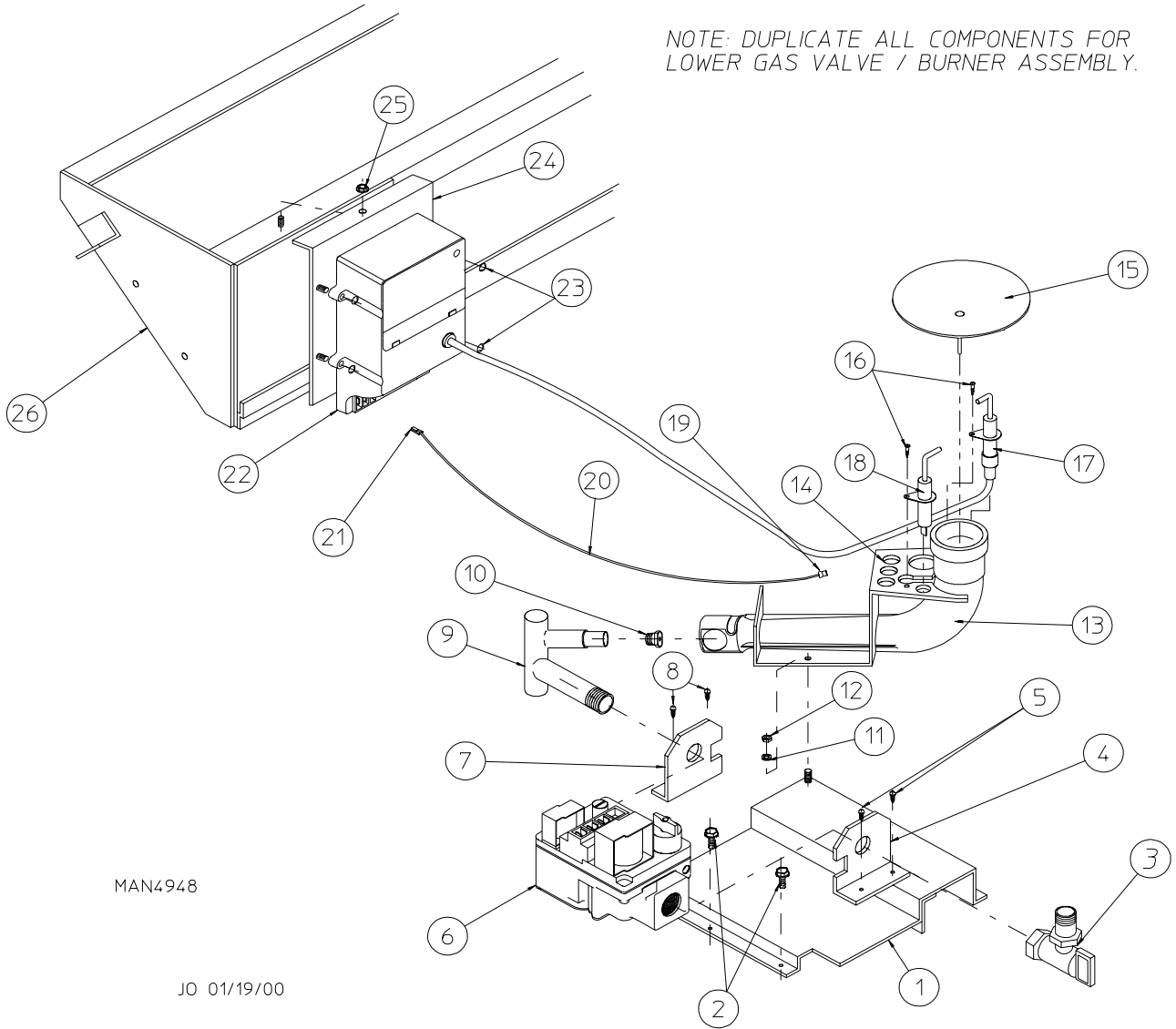
Totally Enclosed, Fan-Cooled (T.E.F.C.) Motor Mount Assembly

<u>Illus. No.</u>	<u>Part No.</u>	<u>Qty.</u>	<u>Description</u>
7	850019	1	Motor Mount ONLY
	803963	1	1/2 HP, 100-50 Hz 115-230v 1ø 60 Hz Totally Enclosed, Fan-Cooled (T.E.F.C.) Motor Mount Assembly Complete with Plug Motor (includes illus. nos. 1 through 7 and 11 through 17)
	803961	1	1/2 HP, 240v 1ø 50 Hz Totally Enclosed, Fan-cooled (T.E.F.C.) Motor Mount Assembly Complete with Plug Motor (includes illus. nos. 1 through 7 and 11 through 17)
	803902**	1	1/2 HP 208/230/380/460v 3ø 50 Hz Totally Enclosed, Fan-Cooled (T.E.F.C.) Motor Mount Assembly Complete (includes illus. nos. 1 through 7, 11, 13 through 17, 22 and 23)
	880848**	1	1/2 HP, 208/230/380/460v 3ø 60 Hz T.E.F.C. Motor Mount Assembly Complete (includes illus. nos. 1 through 7, 11, 13 through 17, 22 and 23)
8	150501	4	5/16-18 x 3/4" Hex Head Machine Bolt
9	153002	4	5/16" Lock Washer
10	153001	4	5/16" Flat Washer
11	154000	4	5/16-18 Tinnerman Nut
12	100065	1	1/2 HP, 100-230v 1ø 50/60 Hz Totally Enclosed, Fan-Cooled (T.E.F.C.) Motor with Plug
	100066	1	1/2 HP, 240v 1ø 50 Hz Totally Enclosed, Fan-Cooled (T.E.F.C.) Motor with Plug
13	150501	4	5/16-18 x 3/4" Hex Head Machine Bolt
14	153002	4	5/16" Lock Washer
15	153001	4	5/16" Flat Washer
16	153001	*	5/16" Flat Washer
17	101131	1	1/2" x 2-1/4" Motor Pulley (for use on 1ø, 60 Hz models Only)
	101133	1	5/8" x 2-1/4" Motor Pulley (for use on 3ø, 60 Hz models Only)
	101130	1	5/8" x 2-1/2" Motor Pulley (for use on 3ø, 50 Hz models Only)
18	100113	1	4L-400 V-Belt (to idler) For Use On 60 Hz Models ONLY
	100115	1	4L-410 V-Belt (to idler) For Use On 50 Hz Models ONLY
19	122701	8	Socket Terminal ONLY
20	137030	1	8-Pin Housing ONLY
	122801	1	Pin/Socket Extraction Tool
21	837005	1	120v/1ø Motor Harness with Plug
	837006	1	230v/1ø Motor Harness with Plug
22	100007	1	1/2 HP 208/230/380/460v 3ø 50/60 Hz Totally Enclosed, Fan-Cooled (T.E.F.C.) Motor
23	120200	1	3/8" x 90° Connector
24	100701	1	3/16" x 3/16" x 1" Key (for use on 3ø models Only)

* As required.

** Specifying voltage when ordering.

Direct Spark Ignition (DSI) Gas Valve/Burner Assembly



MAN4948

JO 01/19/00

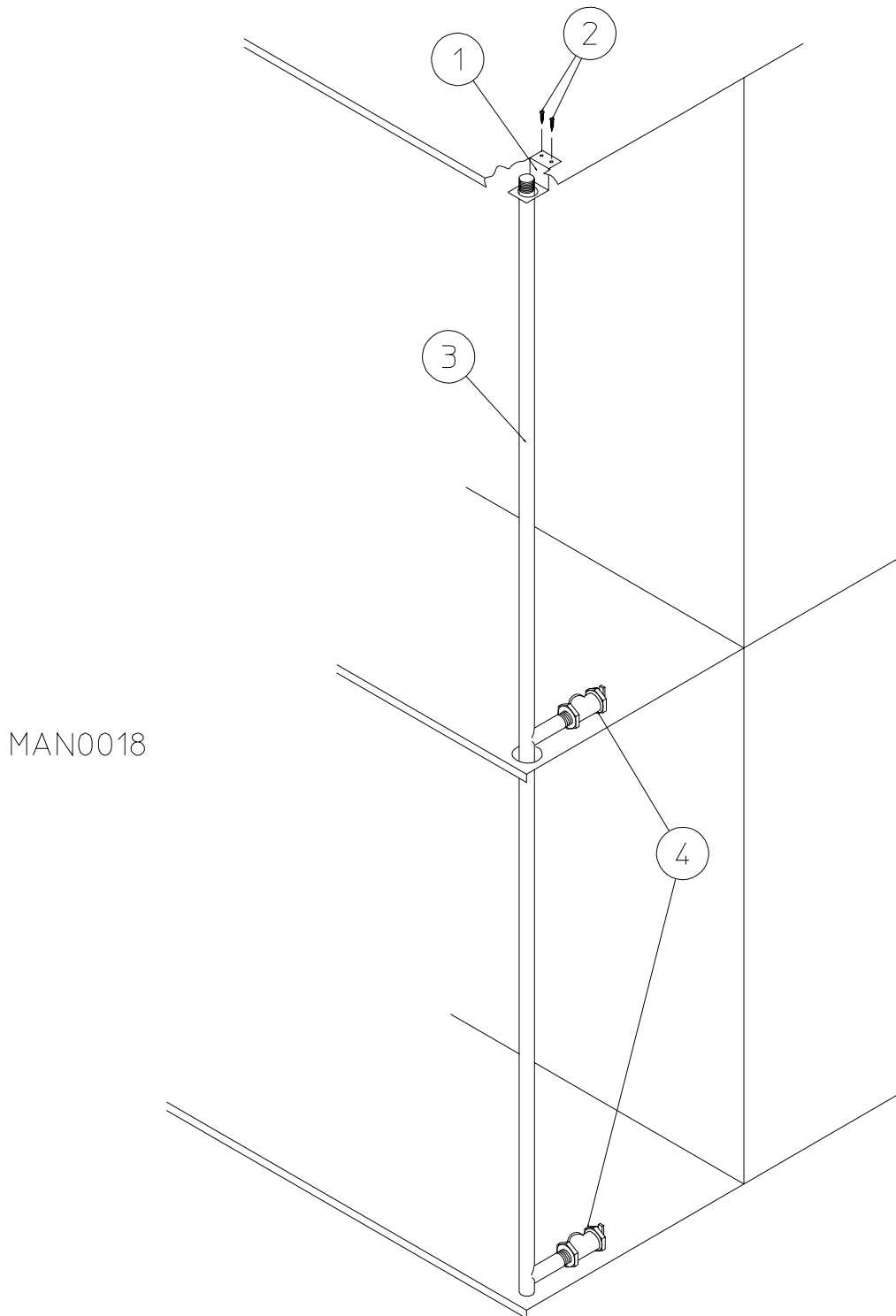
<u>Illus. No.</u>	<u>Part No.</u>	<u>Qty.</u>	<u>Description</u>
1	850804	1	Direct Spark Ignition (DSI) Gas Valve/Burner Tube Mounting Plate ONLY
	809313*	1	Direct Spark Ignition (DSI) (natural gas) Gas Valve/Burner Assembly Complete Less Orifice (includes illus. nos. 1, 3, 5 through 10, and 12 through 21)
	809314*	1	Direct Spark Ignition (DSI) Liquid Propane (L.P.) Gas Valve/Burner Assembly Complete Less Orifice (includes illus. nos. 1, 3, 5 through 10, and 12 through 21)
2	150300	2	#10 x 1/2" Hex Washer TEK Screw
3	881367	1	Union Shutoff with 1/2" Tail Piece
4	318650	1	Notched Pipe Bracket

Direct Spark Ignition (DSI) Gas Valve/Burner Assembly

<u>Illus. No.</u>	<u>Part No.</u>	<u>Qty.</u>	<u>Description</u>
5	150301	2	#8-18 x 7/16" Phillips Pan Head TEK Screw
6	128927	1	1/2" 24 VAC Redundant (natural gas) Gas Valve
	140411	1	1/2" 24 VAC Gas Valve Liquid Propane (L.P.) Conversion Kit
7	318650	1	Notched Pipe Bracket
8	150301	2	#8-18 x 7/16" Phillips Pan Head TEK Screw
9	141235	1	1/2" Single Port Manifold
10	140828	1	#20 Burner Orifice (natural gas Only)
	140811	1	#41 Burner Orifice (liquid propane [L.P.] gas Only)
11	153000	1	#8 Steel Burr
12	152001	1	#8-32 Hex Nut
13	141130	1	Direct Spark Ignition (DSI) Up-Shot Burner Tube
14	318009	1	Burner Tube Bracket (PSE)
15	141109	1	Flame Spreader ONLY
16	150315	2	#6 x 3/8" Phillips Pan Head Machine Screw
17	128917	1	Spark Electrode with High Voltage (HV) Wire
	305412	1	Direct Spark Ignition (DSI) Ignitor Gap Feeler Gauge ... Not Illustrated
18	128918	1	Flame Sensor Probe
19	121006	1	#10 Insulated Terminal
20	132607	2	#18 Gauge Red Silicone Wire (sold by the foot)
21	121028	1	1/4" x .032 Insulated Terminal
22	882627	1	ADC Direct Spark Ignition (DSI) Module ONLY (50/60 Hz) (for models mfd. as of April 17, 2000)
	880815		ADC Direct Spark Ignition (DSI) Module ONLY (50/60 Hz) (for models mfd. prior to April 17, 2000)
23	151000	4	#6-32 Pal Nut
24	835045	1	Direct Spark Ignition (DSI) Module Mounting Bracket (for models mfd. as of April 17, 2000)
	801013		Direct Spark Ignition (DSI) Module Mounting Bracket (for models mfd. prior to April 17, 2000)
25	152014	1	1/4-20 Free Spin Wash Nut
26	-----	-	Idler Bearing Mount (refer to Idler Bearing Assembly on page 16 and page 17)
---	874059**	1	ADG-235ED Liquid Propane (L.P.) Conversion Kit with Orifice

* Burner orifice *is not included* and **must be** ordered separately.

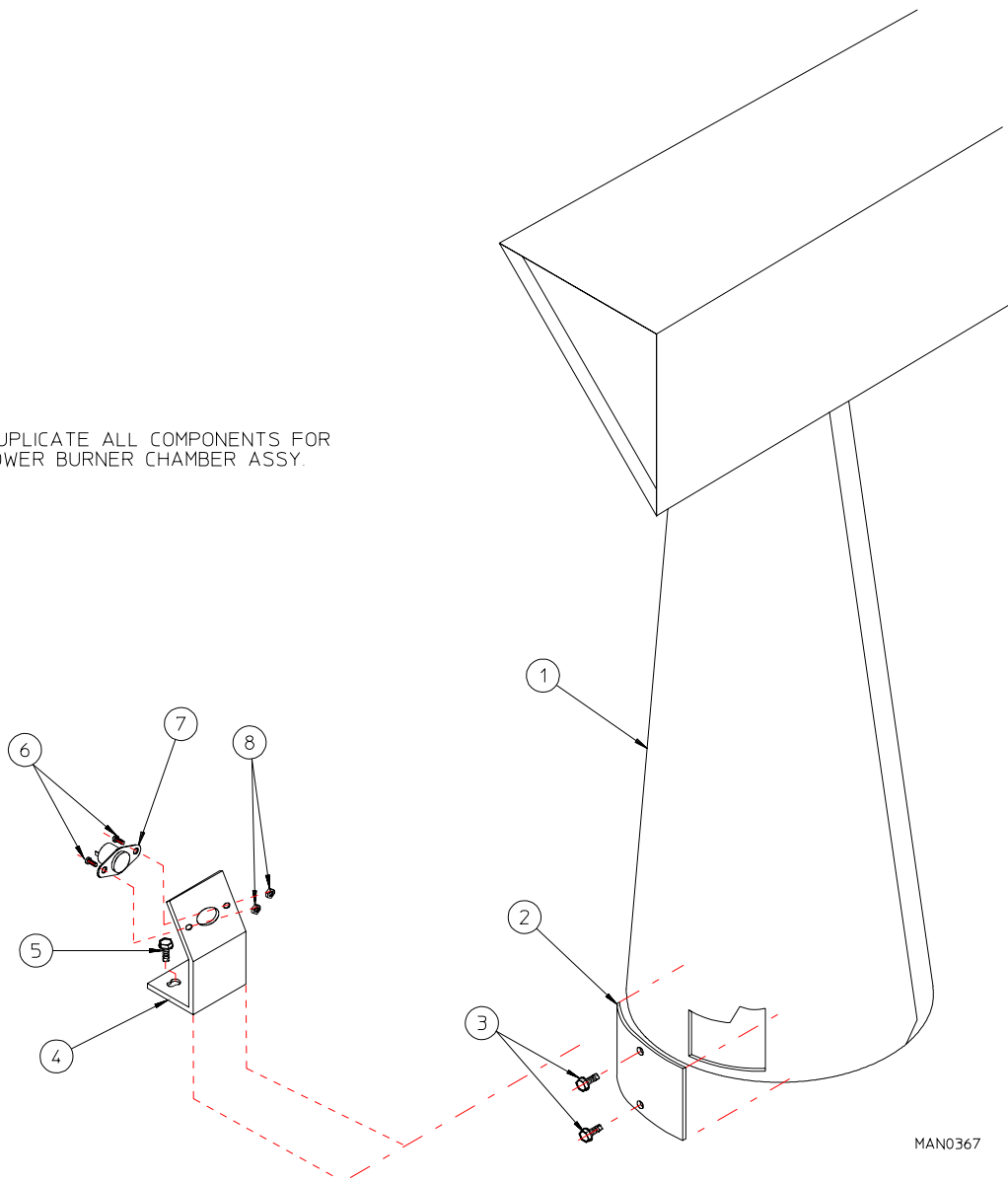
** Consult factory for elevations over 2,000 feet.



<u>Illus. No.</u>	<u>Part No.</u>	<u>Qty.</u>	<u>Description</u>
1	318702	1	Top Pipe Support Bracket ONLY
2	150300	2	#10 x 1/2" Hex Washer TEK Screw
3	141236	1	Gas Piping Manifold
4	881367	2	Union Shutoff with 1/2" Tail Piece

UPPER BURNER CHAMBER ASSY

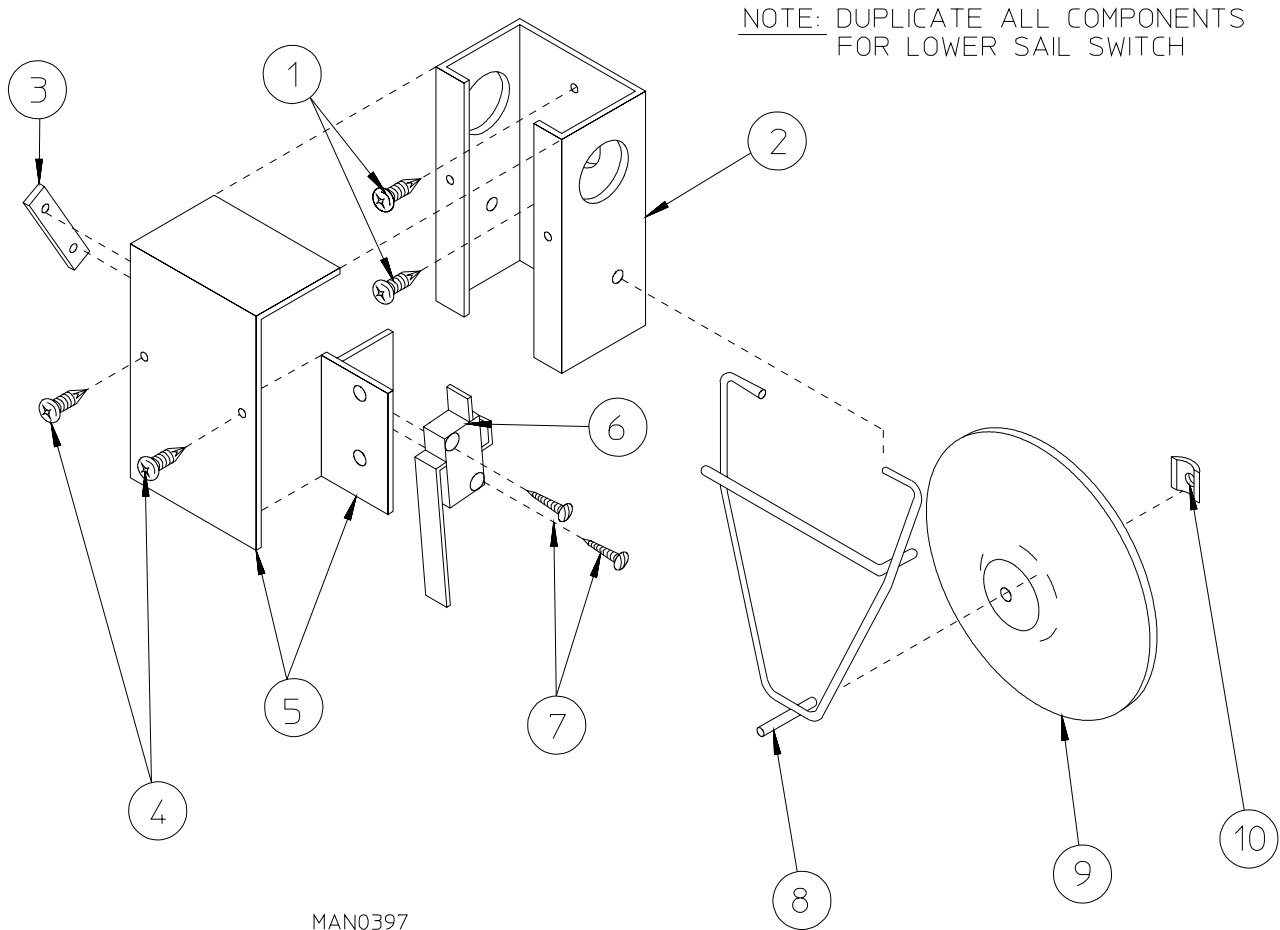
NOTE: DUPLICATE ALL COMPONENTS FOR LOWER BURNER CHAMBER ASSY.



MAN0367

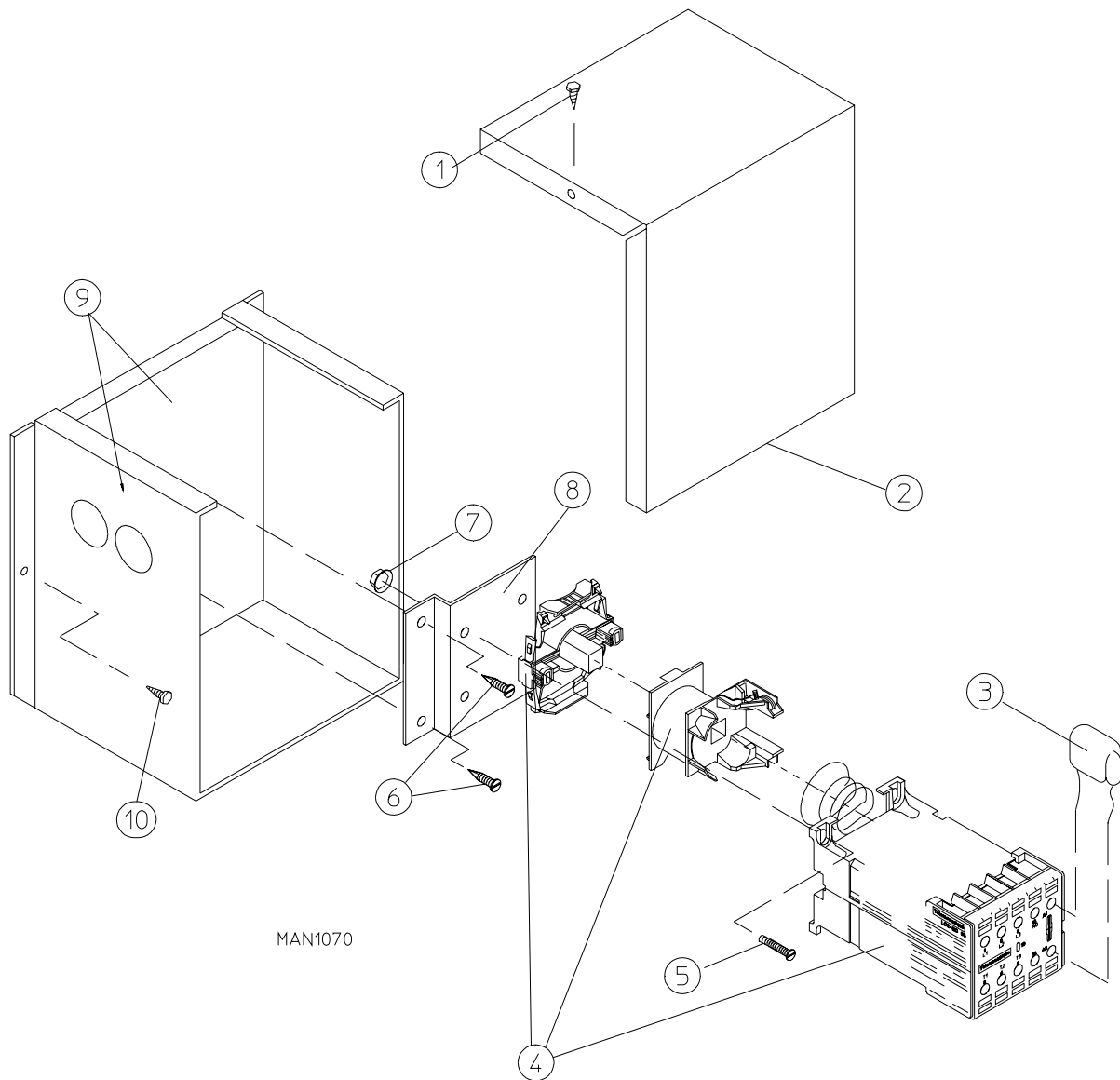
Illus. No.	Part No.	Qty.	Description
1	804025	1	Gas Burner/Electric Oven Chamber Assembly (includes illus. nos. 1, 2, and 3)
2	318006	1	Flame Viewing Plate
3	150300	2	#10 x 1/2" Hex Washer TEK Screw
4	802502	1	Hi-Limit Bracket Assembly (includes illus. nos. 4 through 8)
	319710	1	Hi-Limit Bracket ONLY
5	150301	2	#8-18 x 7/16" Phillips Pan Head TEK Screw
6	150001	2	#6-32 x 1/2" Right Hand Machine Screw
7	130301	1	225° Manual Reset Thermostat
8	151000	2	#6-32 Pal Nut

UPPER SAIL SWITCH

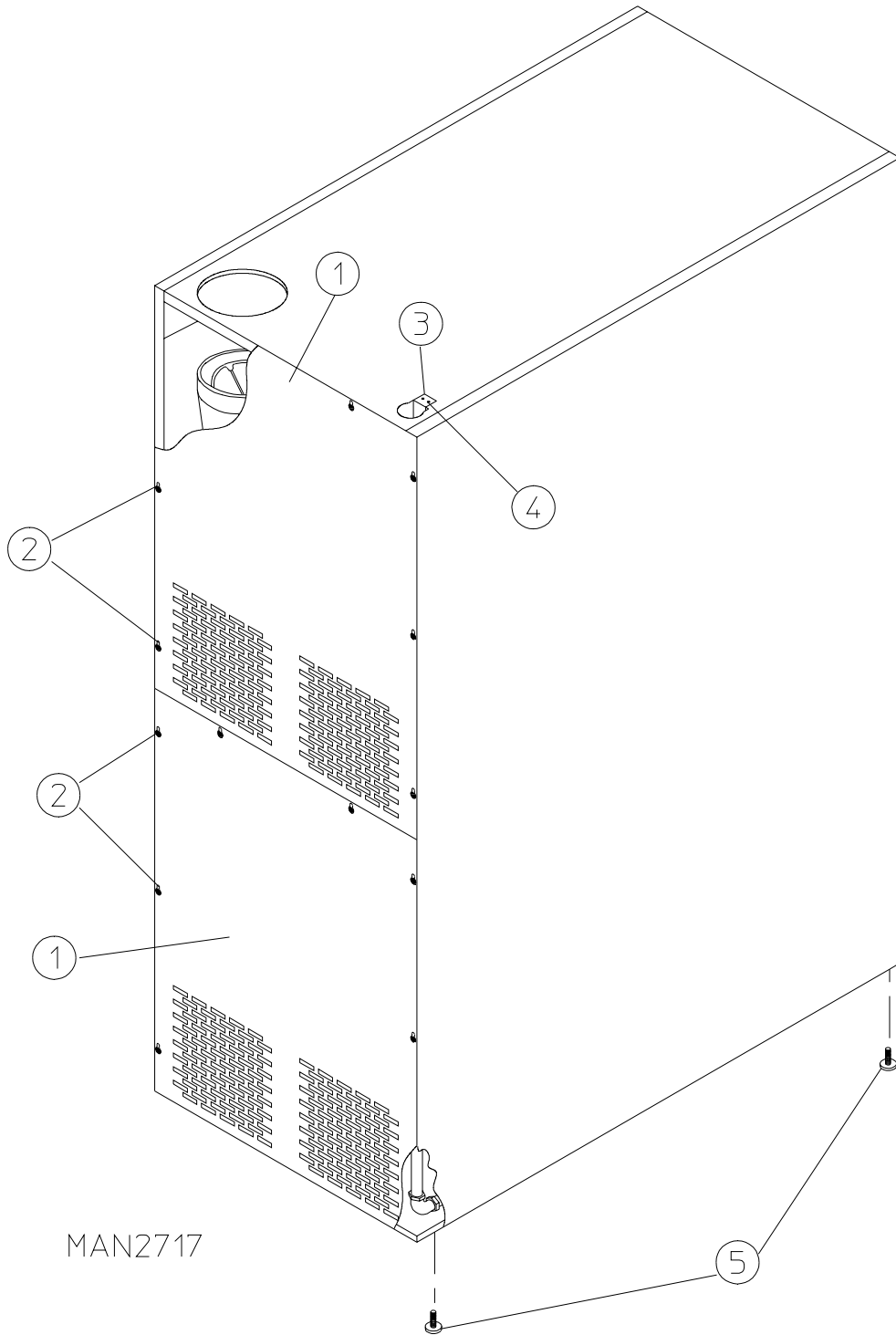


<u>Illus. No.</u>	<u>Part No.</u>	<u>Qty.</u>	<u>Description</u>
1	150301	2	#8-18 x 7/16" Phillips Pan Head TEK Screw
2	802800	1	Sail Switch Box with Cover and Bracket ONLY (includes illus. nos. 2, 4, and 5)
3	154004	1	Twin Speed Nut
4	150415	2	#10-16 x 1/2" Phillips Round Head Crimptite Screw
5	802799	1	Sail Switch Box Cover and Bracket ONLY
6	122200	1	Sail Switch ONLY
7	150303	2	#4 x 3/4" Pan Head "A" Machine Screw
8	105500	1	Sail Switch Actuator Rod
9	319206	1	Sail Switch Damper (embossed)
10	154002	1	1/8" Push On Fastener

3-Phase (3Ø) Motor, Electrical Relay Panel Assembly

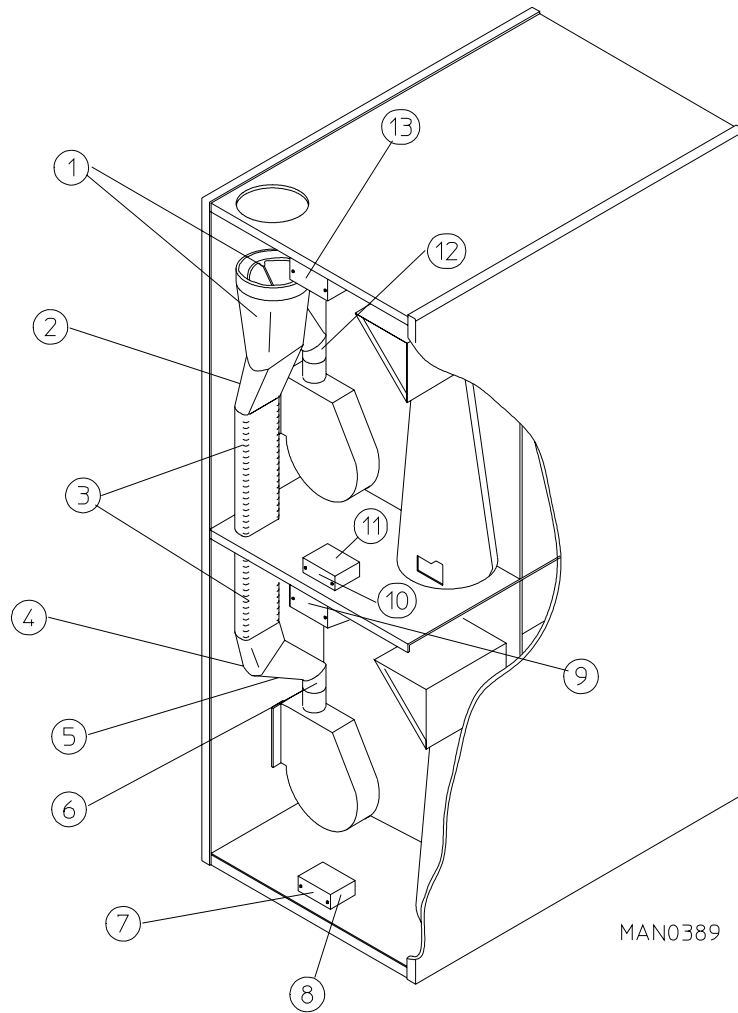


<u>Illus. No.</u>	<u>Part No.</u>	<u>Qty.</u>	<u>Description</u>
1	150300	2	#10 x 1/2" Hex Washer TEK Screw
2	321002	1	Electrical Relay Panel Cover ONLY
3	137015	1	Arc Suppressor (A.S.) Board (capacitor) ONLY
4	132430	1	(208/230/240v, 50/60 Hz) Impellor Contactor Coil - 24 VAC
5	150100	4	#8-32 x 1/2" Round Head Machine Screw
6	150300	2	#10 x 1/2" Hex Washer TEK Screw
7	151001	4	#8-32 Pal Nut
8	311920	1	3-Phase (3Ø) Contactor Mounting Bracket ONLY
9	850909	1	Electrical Relay Panel Assembly (includes illus. nos. 1, 2, and 9)



<u>Illus. No.</u>	<u>Part No.</u>	<u>Qty.</u>	<u>Description</u>
1	311014	2	Upper/Lower Back Guard Assembly
2	150301	16	#8-18 x 7/16" Phillips Pan Head TEK Screw
3	318702	1	Top Pipe Support Bracket ONLY
4	150300	2	#10 x 1/2" Hex Washer TEK Screw
5	103500	4	Adjustable Leveling Leg

Exhaust Ducting Assembly



<u>Illus. No.</u>	<u>Part No.</u>	<u>Qty.</u>	<u>Description</u>
1	880505	1	Wye Branch Damper Assembly
2	143527	1	6" Round x 7" Oval Straight Boot
3	143539	1	15-1/2" Long x 7" Oval Duct
4	143537	1	7" Oval x 45° Elbow
5	143538	1	6" Round x 7" Oval Straight Boot
6	143536	1	6" Round x 45° Elbow
7	121104	1	Junction Box ONLY
8	121105	1	Junction Box Cover ONLY
	150301	2	#8-18 x 7/16" Phillips Pan Head TEK Screw ... Not Illustrated
9	315025	1	Rear Wiring Box Cover ONLY
	150300	2	#10 x 1/2" Hex Washer TEK Screw ... Not Illustrated
10	121104	1	Junction Box ONLY
11	121105	1	Junction Box Cover ONLY
	150301	2	#8-18 x 7/16" Phillips Head TEK Screw ... Not Illustrated
12	143536	1	6" Round x 45° Elbow
13	315025	1	Rear Wiring Box Cover ONLY
	150300	2	#10 x 1/2" Hex Washer TEK Screw
---	117505	*	Aluminum Duct Tape (sold by the foot)

* As required.

NOTE: Coin acceptor listed includes optical switch (Hanke includes Part No. 881143).

Single Coin*

<u>Part Number</u>	<u>Nation</u>	<u>Description</u>
881163	United States and Canada	25¢ Hanke Coin Acceptor

***FOR COIN ACCEPTORS
NOT SHOWN CONSULT FACTORY
FOR AVAILABILITY**

Additional Parts Available

<u>Part No.</u>	<u>Description</u>
112039	“Black/White/Green Ground” Label
112280	“Clean Lint Screen” Label
112533	“Phase 5 Coin Program Location Summary” Label
114001	“Caution - Exhaust/Lint Screen” Label
114006	“Warning - Fire Hazards” Label
120800	1/4” In-Line Connector
120802	Red Butt Connector
120902	#74B Wire Nut
120903	Closed End Connector
121499	5-1/2” Harness Tie
121500	7” Harness Tie
121503	Harness Tie Mounting Clip
122804	Manometer (water column test gauge)
170194	Tumbler Lint Cleaning Brush
404500	Almond Brush-In-Cap Bottle Touch-Up Paint
404502	White Brush-In-Cap Bottle Touch-Up Paint
404506	Almond “B” Brush-In-Cap Bottle Touch-Up Paint
404507	Cornflower Blue Brush-In-Cap Bottle Touch-Up Paint
404516	Ivory Brush-In-Cap Bottle Touch-Up Paint
404515	Coral Blue Brush-In-Cap Bottle Touch-Up Paint

