



# AD-24 Parts Manual

## 24 VAC Phase 7

---

**American Dryer Corporation**  
88 Currant Road  
Fall River MA 02720-4781 USA  
Telephone: +1 (508) 678-9000 / Fax: +1 (508) 678-9447  
e-mail: techsupport@amdry.com

[www.adclaundry.com](http://www.adclaundry.com)

# Retain This Manual In A Safe Place For Future Reference

American Dryer Corporation products embody advanced concepts in engineering, design, and safety. If this product is properly maintained, it will provide many years of safe, efficient, and trouble free operation.

**ONLY qualified technicians should service this equipment.**

**OBSERVE ALL SAFETY PRECAUTIONS** displayed on the equipment or specified in the installation manual included with the dryer.

The following “**FOR YOUR SAFETY**” caution must be posted near the dryer in a prominent location.

## FOR YOUR SAFETY

Do not store or use gasoline or other flammable vapors and liquids in the vicinity of this or any other appliance.

## POUR VOTRE SÉCURITÉ

Ne pas entreposer ni utiliser d'essence ni d'autres vapeurs ou liquides inflammables à proximité de cet appareil ou de tout autre appareil.

We have tried to make this manual as complete as possible and hope you will find it useful. ADC reserves the right to make changes from time to time, without notice or obligation, in prices, specifications, colors, and material, and to change or discontinue models.

## Important

For your convenience, log the following information:

DATE OF PURCHASE \_\_\_\_\_ MODEL NO. **AD-24**  
RESELLER'S NAME \_\_\_\_\_  
Serial Number(s) \_\_\_\_\_  
\_\_\_\_\_  
\_\_\_\_\_

Replacement parts can be obtained from your reseller or the ADC factory. When ordering replacement parts from the factory, you can FAX your order to ADC at (508) 678-9447 or telephone your order directly to the ADC Parts Department at (508) 678-9000. Please specify the dryer model number and serial number in addition to the description and part number, so that your order is processed accurately and promptly.

The illustrations on the following pages may not depict your particular dryer exactly. The illustrations are a composite of the various dryer models. Be sure to check the descriptions of the parts thoroughly before ordering.

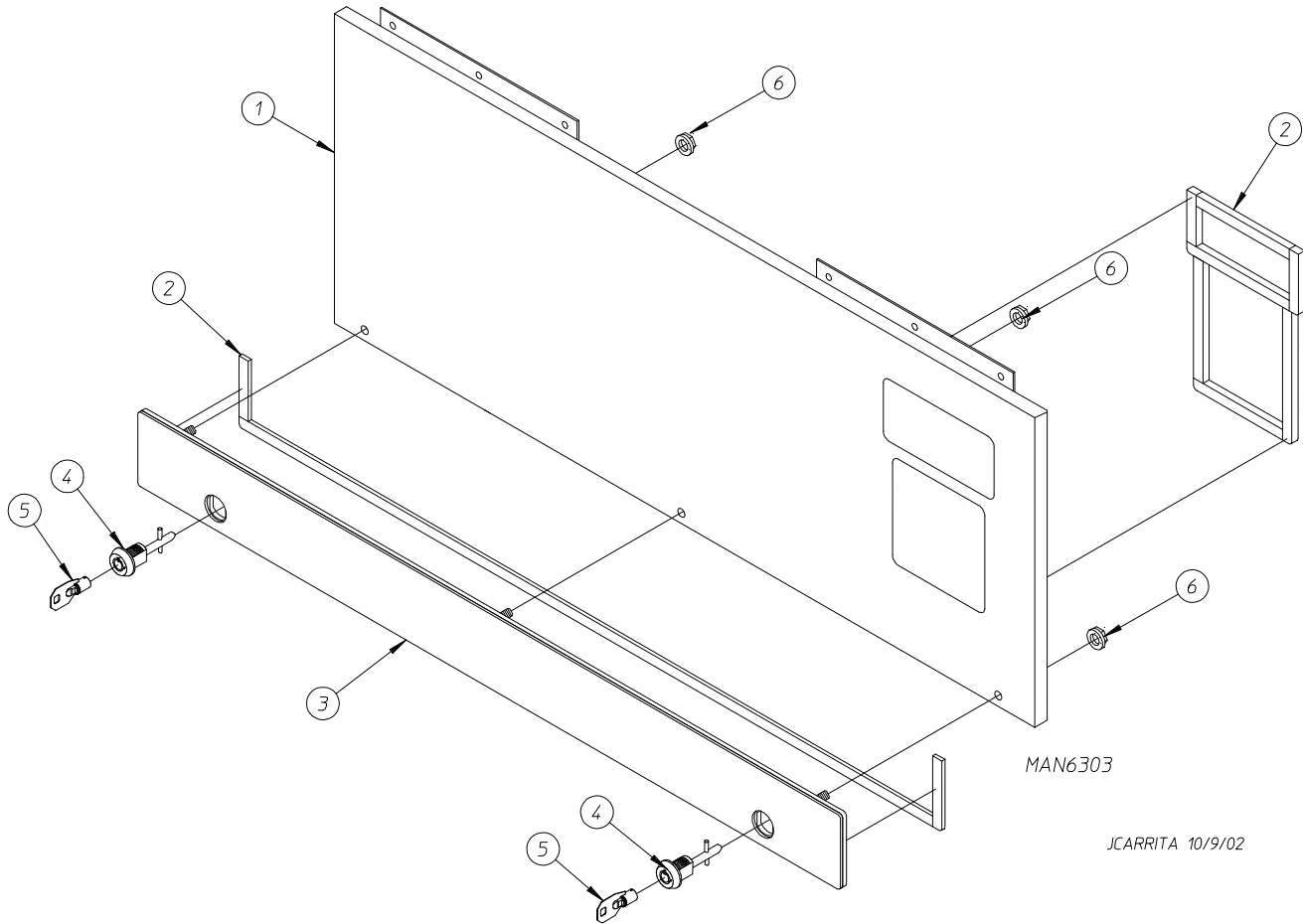
### **“IMPORTANT NOTE TO PURCHASER”**

Information must be obtained from your local gas supplier on the instructions to be followed if the user smells gas. These instructions must be posted in a prominent location near the dryer.

# Table of Contents

Coin Control Door Assembly .....	4
Phase 7 Coin Microprocessor Control Panel Assembly .....	5
Phase 7 Coin Microprocessor Control Box Assembly .....	6
Microprocessor Coin Vault Assembly .....	7
Main Door "Steel" Assembly .....	8
Cold Rolled Steel Front Panel Assembly .....	9
Main Door Switch Assembly .....	10
Tumbler / Support Assemblies .....	11
Lint Door Assembly .....	12
Microprocessor Sensor Bracket Assembly .....	13
Tumbler Bearing Assembly .....	14
Lint Trap Assembly .....	16
Idler Bearing Assembly .....	17
Motor Mount Assembly .....	18
Gas Burner Assembly .....	19
Sail Switch / Hi-Limit Assemblies .....	20
Rear Electric Relay Panel Assembly .....	21
Outer Top / Back Guard Assemblies .....	22
Additional Parts Available .....	23

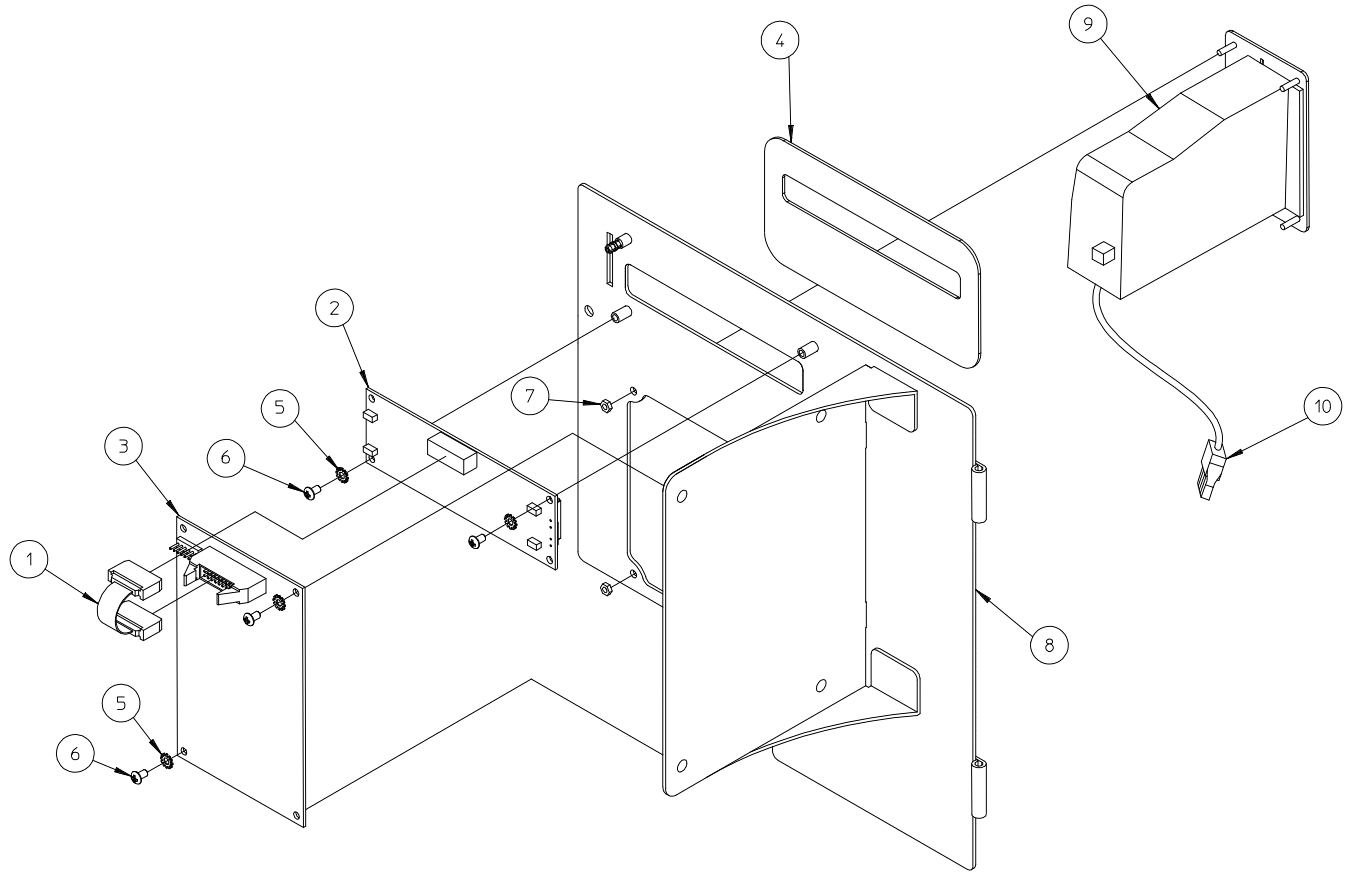
# Coin Control Door Assembly



<u>Illus. No.</u>	<u>Part No.</u>	<u>Qty.</u>	<u>Description</u>
1	883589	1	White Control Door without Locks (includes illus. nos. 1 through 3 and 6)
	883590	1	Coral Blue Control Door without Locks (includes illus. nos. 1 through 3 and 6)
	883591	1	Ivory Control Door without Locks (includes illus. nos. 1 through 3 and 6)
2	117604	5	1/8" x 3/8" Neoprene Sponge Tape (sold by the foot)
3	883588	1	Black Control Door Trim
4	160040	2	XX4451 Lock ONLY
5	160140	*	XX4451 Key ONLY
6	152014	3	1/4-20 Free Spin Wash Nut

\* As required.

# Phase 7 Coin Microprocessor Control Panel Assembly

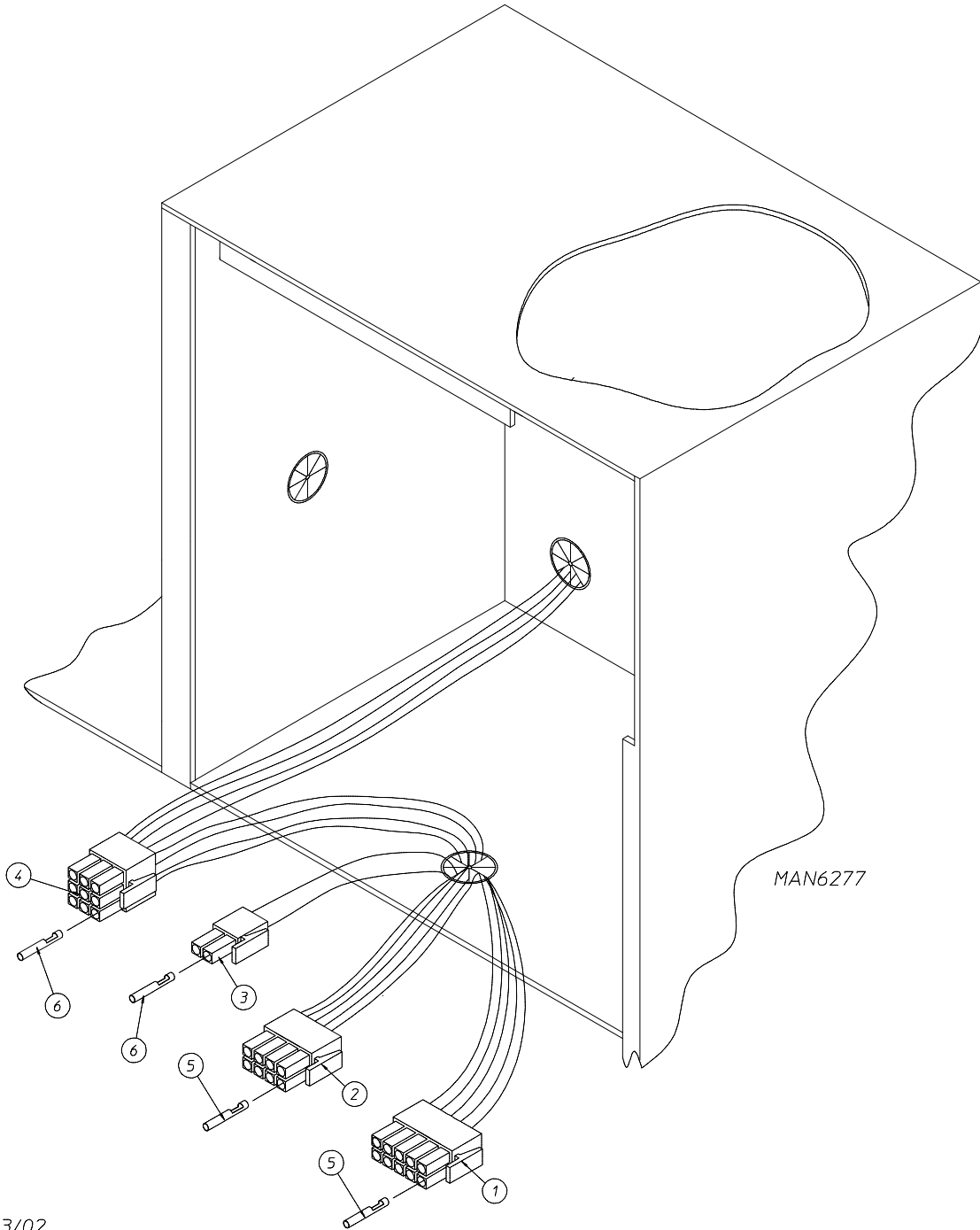


JCARRITA 10/17/02

MAN6308

<u>Illus. No.</u>	<u>Part No.</u>	<u>Qty.</u>	<u>Description</u>
1	137250	1	Phase 7 Coin Ribbon Cable
2	137270	1	16" x 1" Large Character Display
3	883435	1	Phase 7 Coin Board
4	112575	1	Phase 7 Keyboard
5	153010	4	#6 Internal and External Star Washers
6	150005	4	#6-32 x 1/4" Phillips Round Head Machine Screw
7	152102	4	M3 Metric Hex Nut
8	802536	1	Phase 7 Coin Control Panel ONLY
	802537	1	Phase 7 Coin Control Panel Assembly (includes illus. nos. 1 through 8)
9	803612	1	Phase 7 25¢ Coin Acceptor Assembly
10	122633	1	3-Pin Connector

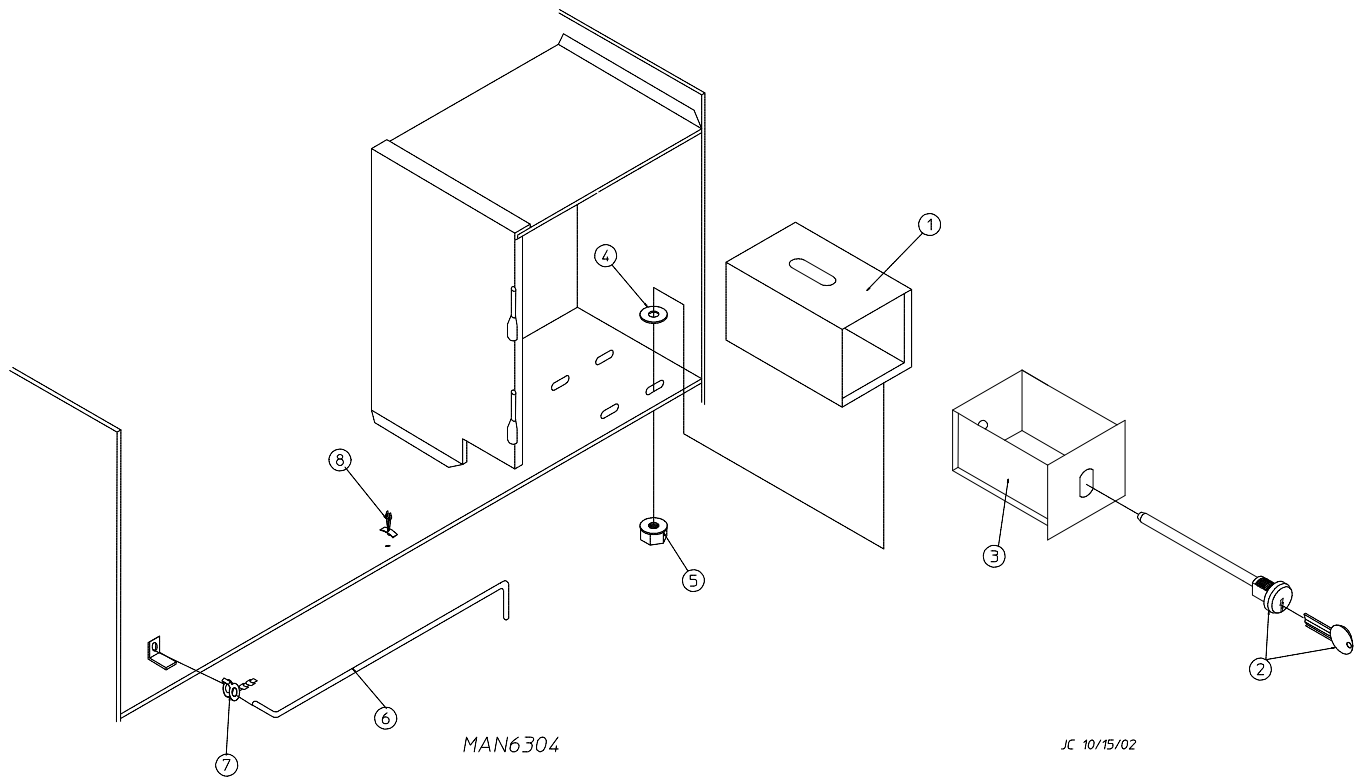
# Phase 7 Coin Microprocessor Control Box Assembly



JCARRITA 9/23/02

Illus. No.	Part No.	Qty.	Description
1	122681	1	10-Pin Connector
2	122676	1	8-Pin Connector
3	122646	1	2-Pin Connector
4	122640	1	9-Pin Connector
5	122669	*	Female Crimp Terminal
6	122706	*	#20-16 U.M.N.L. Socket

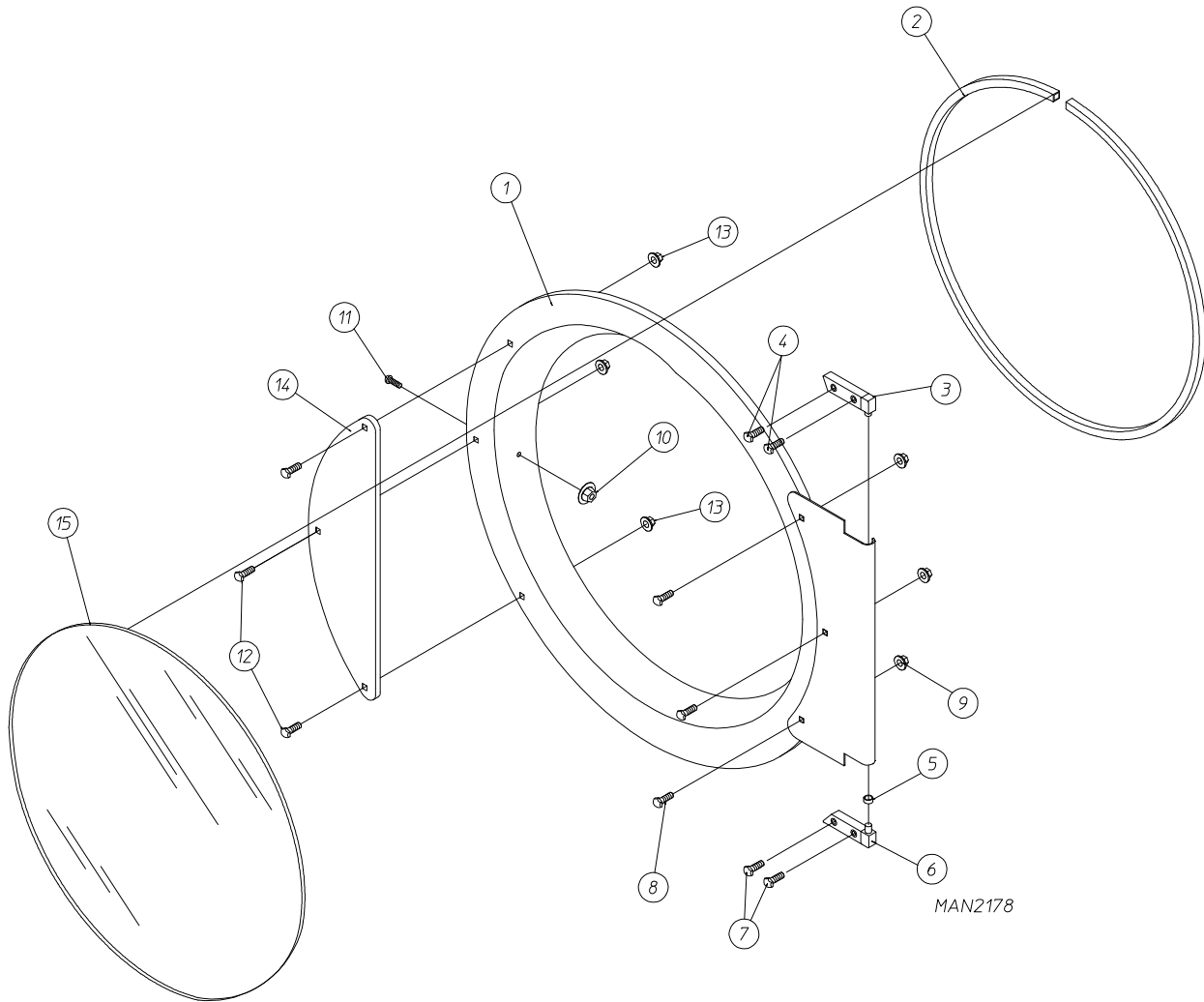
\* As needed.



<u>Illus. No.</u>	<u>Part No.</u>	<u>Qty.</u>	<u>Description</u>
1	883596	1	Security Coin Vault Assembly Complete (includes illus. nos. 1 through 3)
	802535	1	High Security Coin Vault ONLY
2	160022	1	High Security Screw Lock with Key
	160113*	1	Key ONLY for High Security Screw Lock
3	802534	1	High Security Coin Box ONLY
4	153050	4	1/2" S.A.E. Flat Washer
5	152014	4	1/4-20 Free Spin Wash Nut
6	102502	1	Control Door Support Rod
7	102601	1	Control Door Rod Retainer Clip
8	102603	1	Control Door Support Rod Catch

\* Specify key number when ordering.

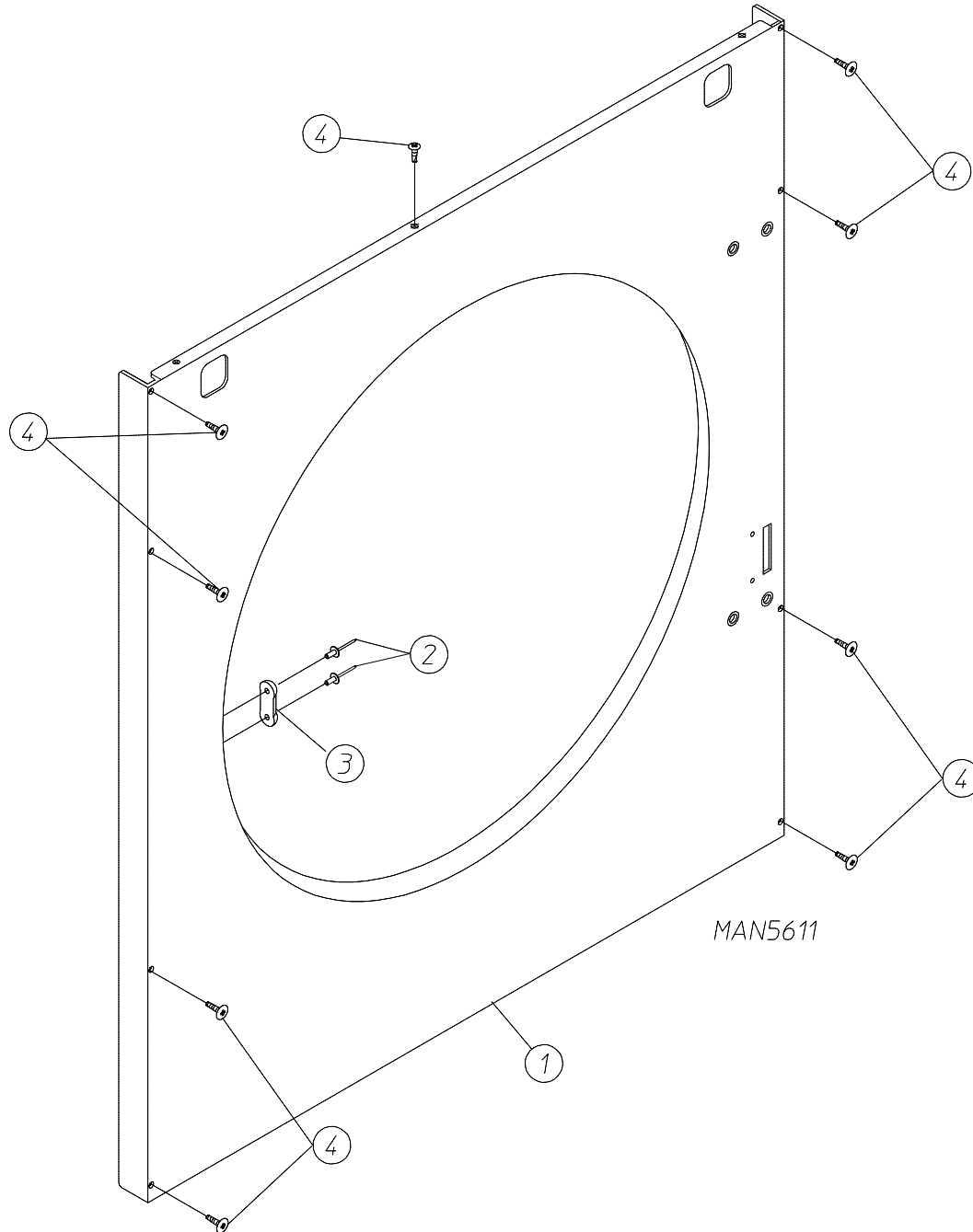
# Main Door "Steel" Assembly



<u>Illus. No.</u>	<u>Part No.</u>	<u>Qty.</u>	<u>Description</u>
1	881150	1	Black Main Door Assembly Complete (includes illus. nos. 1, 2, and 8 through 15)
2	102354	1	Door Gasket
	170731	1	Black Gasket Adhesive (10.3 oz. cartridge)
3	881152	1	Black Top Hinge Block Assembly (includes illus. nos. 3 and 4)
4	150445	2	1/4-20 x 3/4" Black Cap Head Setscrew
5	153031	1	1/4" Nylon Washer
6	881151	1	Black Bottom Hinge Block Assembly (includes illus. nos. 5, 6, and 7)
7	150445	2	1/4-20 x 3/4" Black Cap Head Setscrew
8	150683	3	1/4-20 x 5/8" Black Carriage Bolt
9	152014	3	1/4-20 Free Spin Wash Nut
10	151010	1	#10-32 Black Hex Acorn Nut
11	150120	1	Door Latch Screw
12	150683	3	1/4-20 x 5/8" Black Carriage Bolt
13	152014	3	1/4-20 Free Spin Wash Nut
14	881210	1	Black Main Door Handle ONLY
15	102211	1	20-7/16" Door Glass
	170731	1	Black Glass Adhesive (10.3 oz. cartridge)

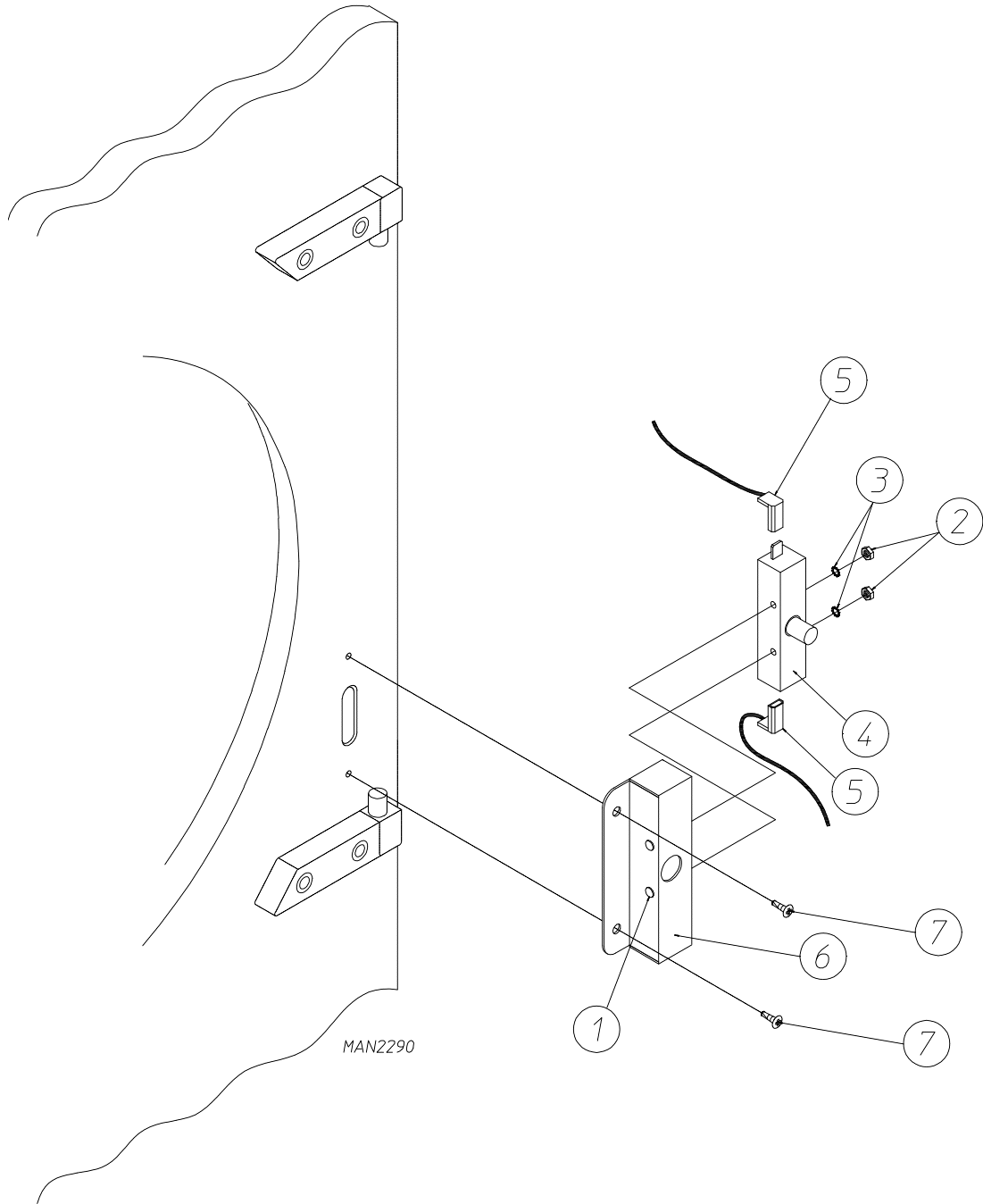


# Cold Rolled Steel Front Panel Assembly

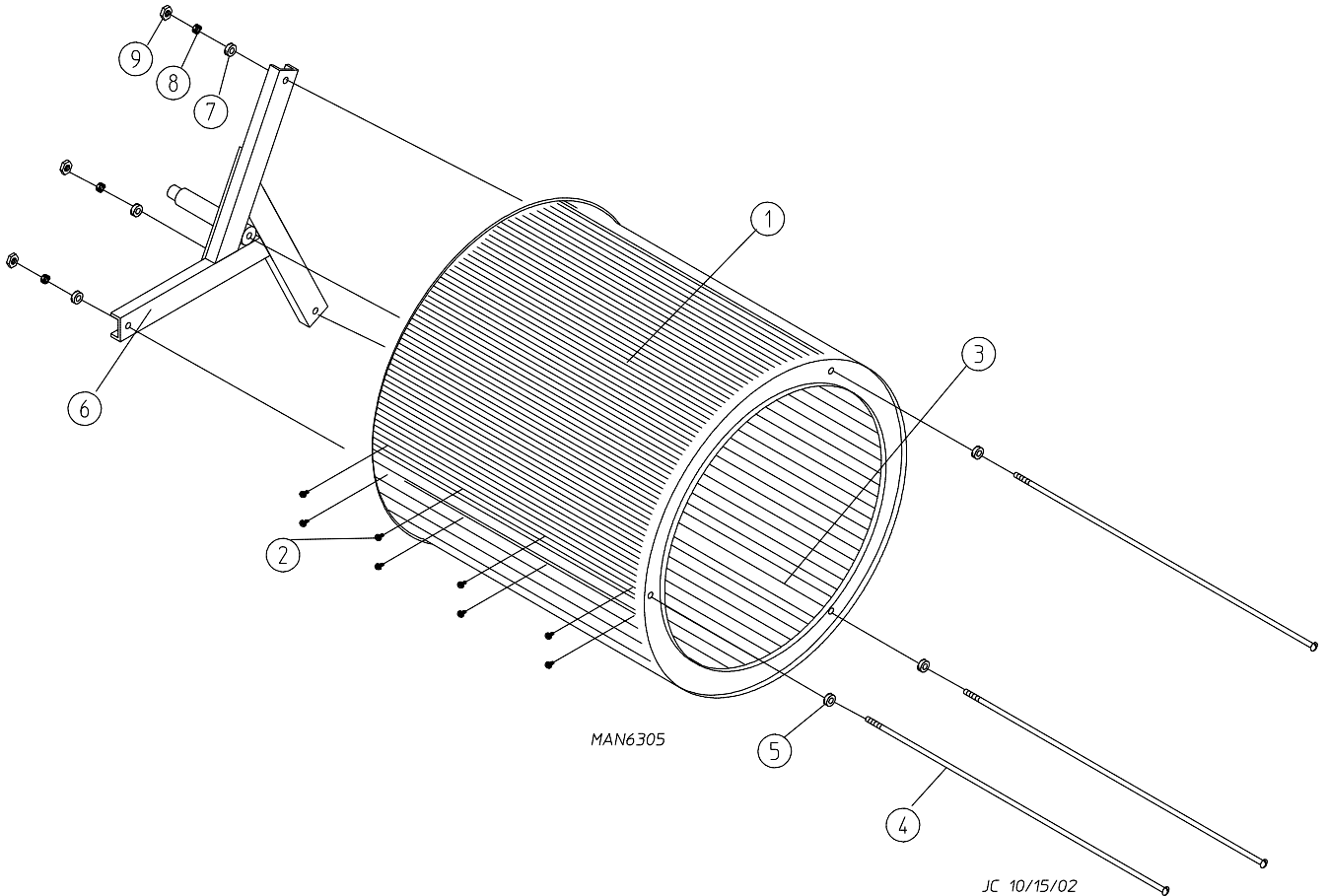


<u>Illus. No.</u>	<u>Part No.</u>	<u>Qty.</u>	<u>Description</u>
1	883598	1	White Front Panel Assembly (includes illus. nos. 1 through 3)
	883599	1	Coral Blue Front Panel Assembly (includes illus. nos. 1 through 3)
	883600	1	Ivory Front Panel Assembly (includes illus. nos. 1 through 3)
2	154215	2	1/8" Pop Rivets
3	170330	1	Friction Door Latch
4	150313	9	TORX Head Screw

# Main Door Switch Assembly

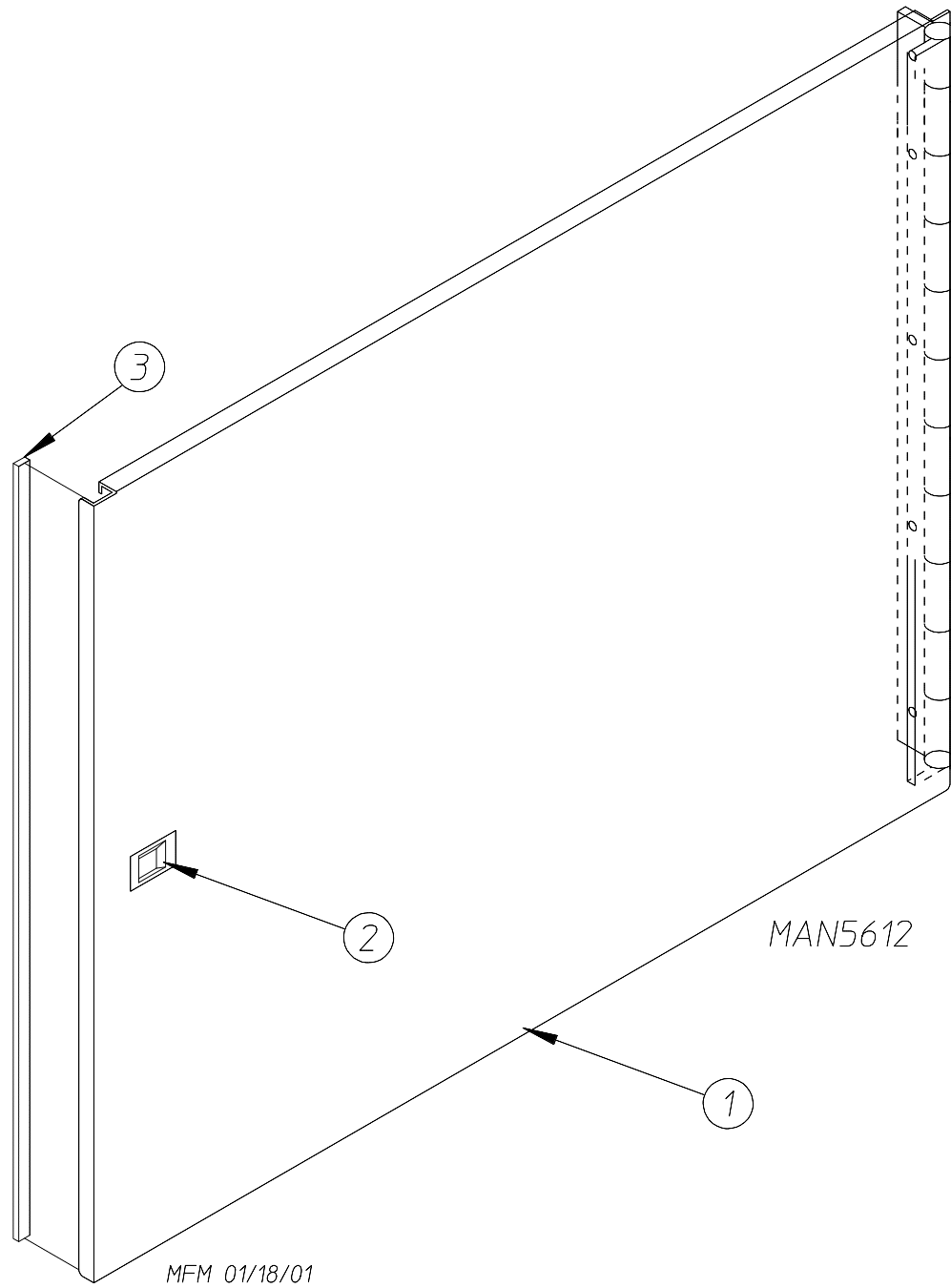


<u>Illus. No.</u>	<u>Part No.</u>	<u>Qty.</u>	<u>Description</u>
1	150006	2	#6-32 x 7/8" Phillips Pan Head Machine Screw
2	152013	2	#6-32 Hex Nut
3	153010	2	#6 Star Washer
4	137005	1	Door Switch ONLY
5	122636	2	Flag Terminal
6	881211	1	Black Main Door Switch Housing ONLY
	881153	1	Black Main Door Switch Housing Complete (includes illus. nos. 1 through 4 and 6)
7	150301	2	#8-18 x 7/16" Phillips Pan Head TEK Screw



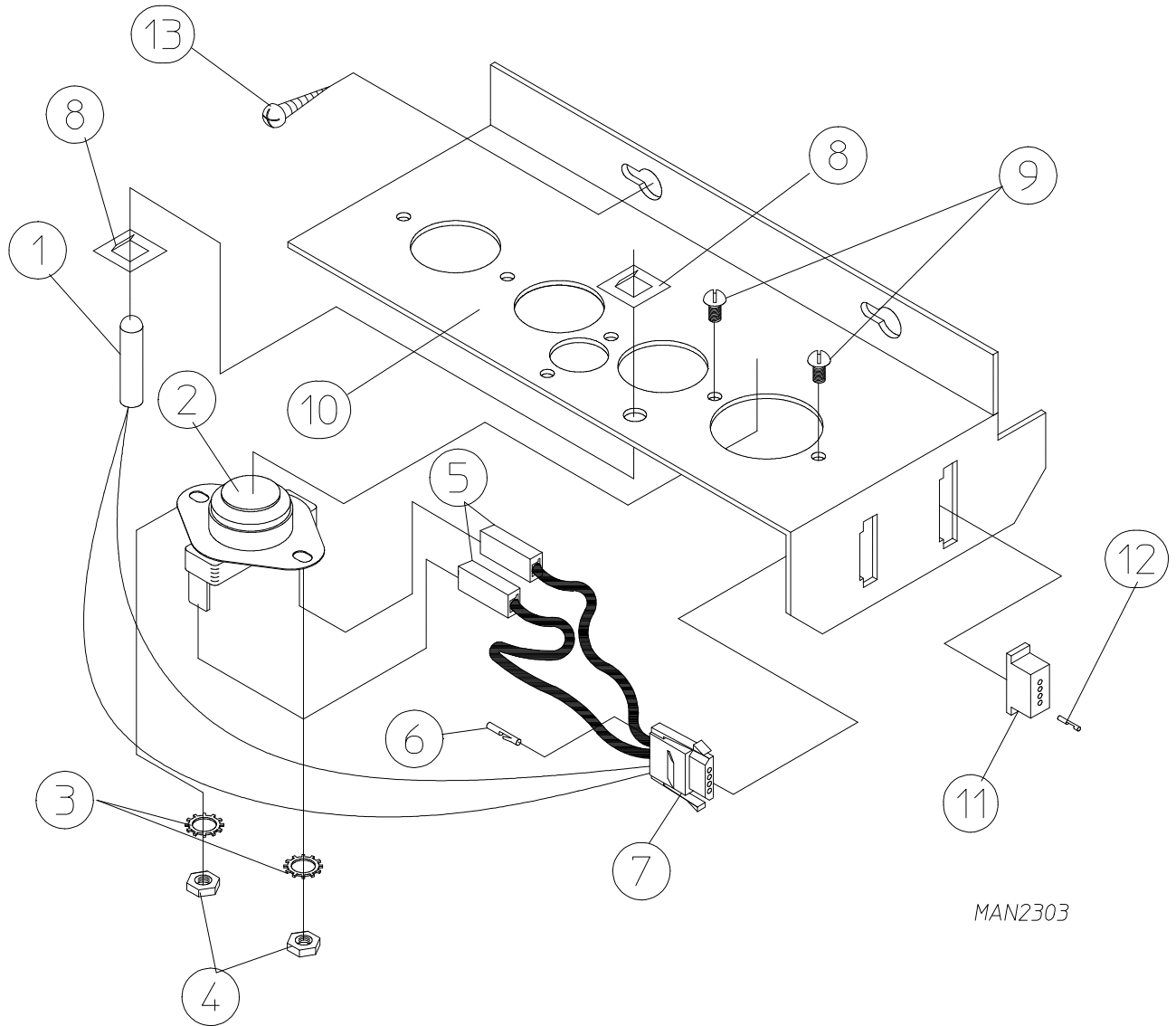
<u>Illus. No.</u>	<u>Part No.</u>	<u>Qty.</u>	<u>Description</u>
1	800843	1	Tumbler and Support Assembly Complete (includes illus. nos. 1 through 9)
	800717	1	Tumbler ONLY
2	154210	30	5/32" x 3/16" Large Flange Rivet
3	301318	2	Tapered Rib ONLY (low rib)
	301317	1	Tapered Rib ONLY (high rib)
4	100916	3	5/16-18 x 25" Tie Rod
5	153004	3	3/8" x 1" Flat Washer
6	800612	1	Tumbler Support ONLY
7	153004	3	3/8" x 1" Flat Washer
8	153005	3	3/8" Split Lock Washer
9	152005	3	3/8-16 Hex Nut

# Lint Door Assembly



<u>Illus. No.</u>	<u>Part No.</u>	<u>Qty.</u>	<u>Description</u>
1	883593	1	White Lint Door Assembly (includes illus. nos. 1 through 3)
	883594	1	Coral Blue Lint Door Assembly (includes illus. nos. 1 through 3)
	883595	1	Ivory Lint Door Assembly (includes illus. nos. 1 through 3)
2	170226	1	Slide Latch Flush Style (black)
3	117604	2	1/8" x 3/8" Neoprene Sponge Tape (sold by the foot)

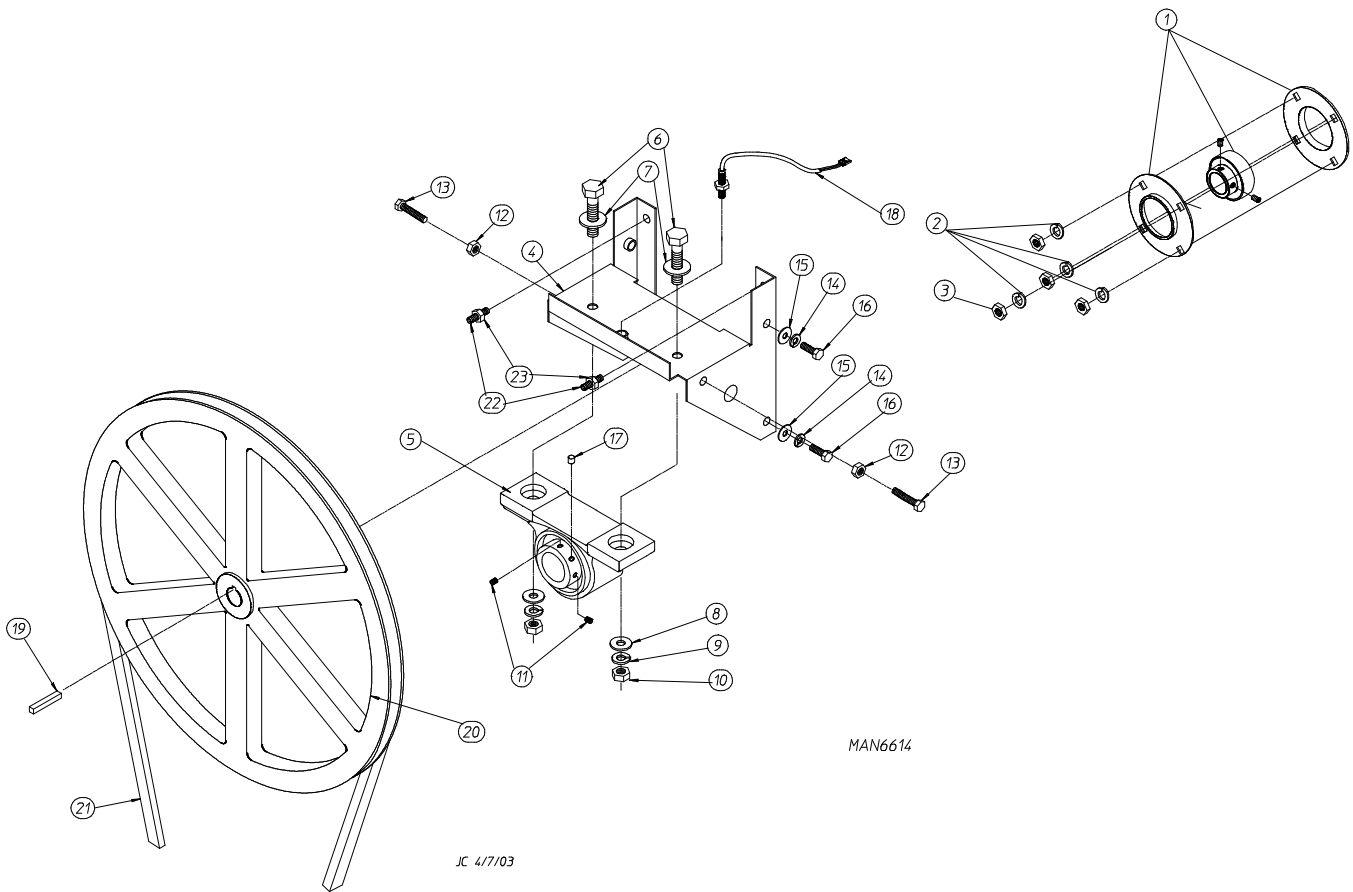
# Microprocessor Sensor Bracket Assembly



MAN2303

<u>Illus. No.</u>	<u>Part No.</u>	<u>Qty.</u>	<u>Description</u>
1	880251	1	1/4" Temperature Sensor Probe Assembly (includes illus. nos. 1 and 5 through 8)
2	130103	1	225° Large Automatic Reset Thermostat ONLY
3	153010	2	#6 Star Washer
4	152000	2	#6-32 Hex Nut
5	121028	2	Insulated Terminal ONLY
6	122701	4	Socket Terminal ONLY
7	122605	1	4-Pin Socket Connector ONLY
8	154007	2	1/4" Tinnerman Push On Fastener
9	150005	2	#6-32 x 1/4" Phillips Round Head Machine Screw
10	801425	1	Microprocessor Sensor Bracket Assembly Complete (includes illus. nos. 1 through 10)
11	122604	1	4-Pin Connector ONLY
12	122700	4	Pin Terminal ONLY
13	150301	2	#8-18 x 7/16" Phillips Pan Head TEK Screw

# Tumbler Bearing Assembly

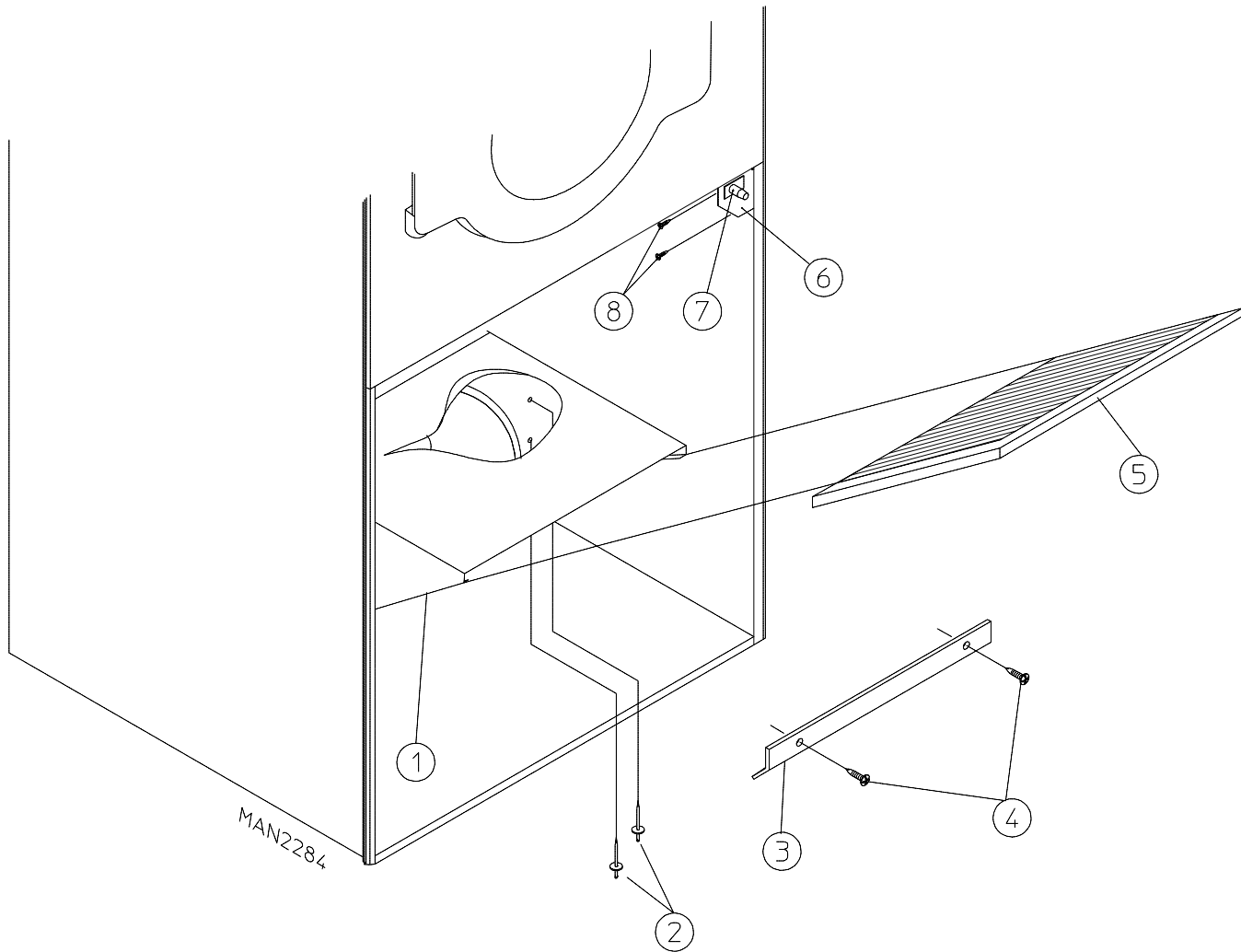


MAN6614

JC 4/7/03

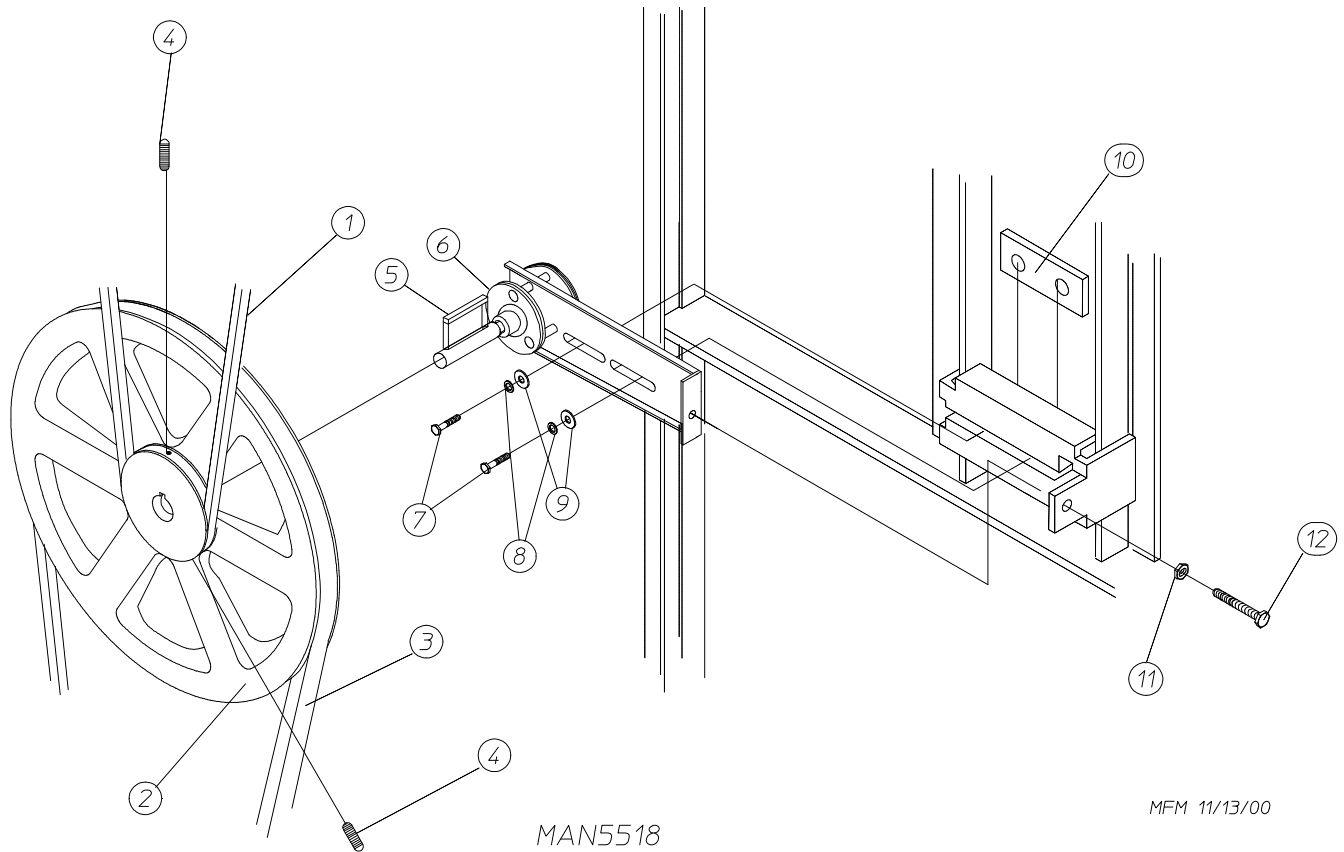
<u>Illus. No.</u>	<u>Part No.</u>	<u>Qty.</u>	<u>Description</u>
1	880209	1	1-3/4" Flange Bearing
2	153005	4	3/8" Lock Washer
3	152005	4	3/8-16 Hex Nut
4	883387	1	Pillow Block Bearing Assembly Complete (for micro models Only) (includes illus. nos. 4 through 18 and 23)
	882544	1	Pillow Block Bearing Assembly Complete (for dual timer models Only) (includes illus. nos. 4 through 16 and 23)
	882543	1	Pillow Block Bearing Platform ONLY (for micro models Only)
	882542	1	Pillow Block Bearing Platform ONLY (for dual timer models Only)
5	880779	1	1-3/8" Pillow Block Bearing (for micro models Only)
	880202	1	1-3/8" Pillow Block Bearing (for dual timer models Only)
6	150601	2	3/8-16 x 2" Hex Bolt
7	153004	2	3/8" Flat Washer
8	153004	2	3/8" Flat Washer
9	153005	2	3/8" Lock Washer
10	152005	2	3/8-16 Hex Nut
11	154326	2	5/16-24 x 3/8" Setscrew
12	152004	2	5/16-18 Hex Nut
13	150621	2	5/16-18 x 1-1/2" Tap Bolt
14	153002	4	5/16" Lock Washer
15	153004	6	3/8" Flat Washer
16	150501	4	5/16-18 x 3/4" Tap Bolt
17	102120	1	Sintered 8 Magnet (for micro models Only)
18	883386	1	Rotational Sensor Assembly (for micro models Only)
19	100713	1	Shaft Key
20	101100	1	18" Pulley
21	100111	1	5L-650 V-Belt (tumbler to idler)
22	150610	2	5/16-18 x 1-1/2" Allen Setscrew
23	152004	2	5/16-18 Hex Nut

# Lint Trap Assembly



<u>Illus. No.</u>	<u>Part No.</u>	<u>Qty.</u>	<u>Description</u>
1	800429	1	Lint Trap Assembly Complete (includes illus. nos. 1 and 3 through 5)
	801036	1	Lint Trap ONLY
2	154200	7	5/32" Pop Rivet
3	304102	1	Lint Screen Holder ONLY
4	150300	3	#10-16 x 1/2" Hex Washer TEK Screw
5	800503	1	Lint Screen ONLY
6	323724	1	Lint Drawer Switch Bracket
7	122116	1	Lint Drawer Switch ONLY
8	150425	2	#12-24 x 3/8" Slotted Pan Head Screw

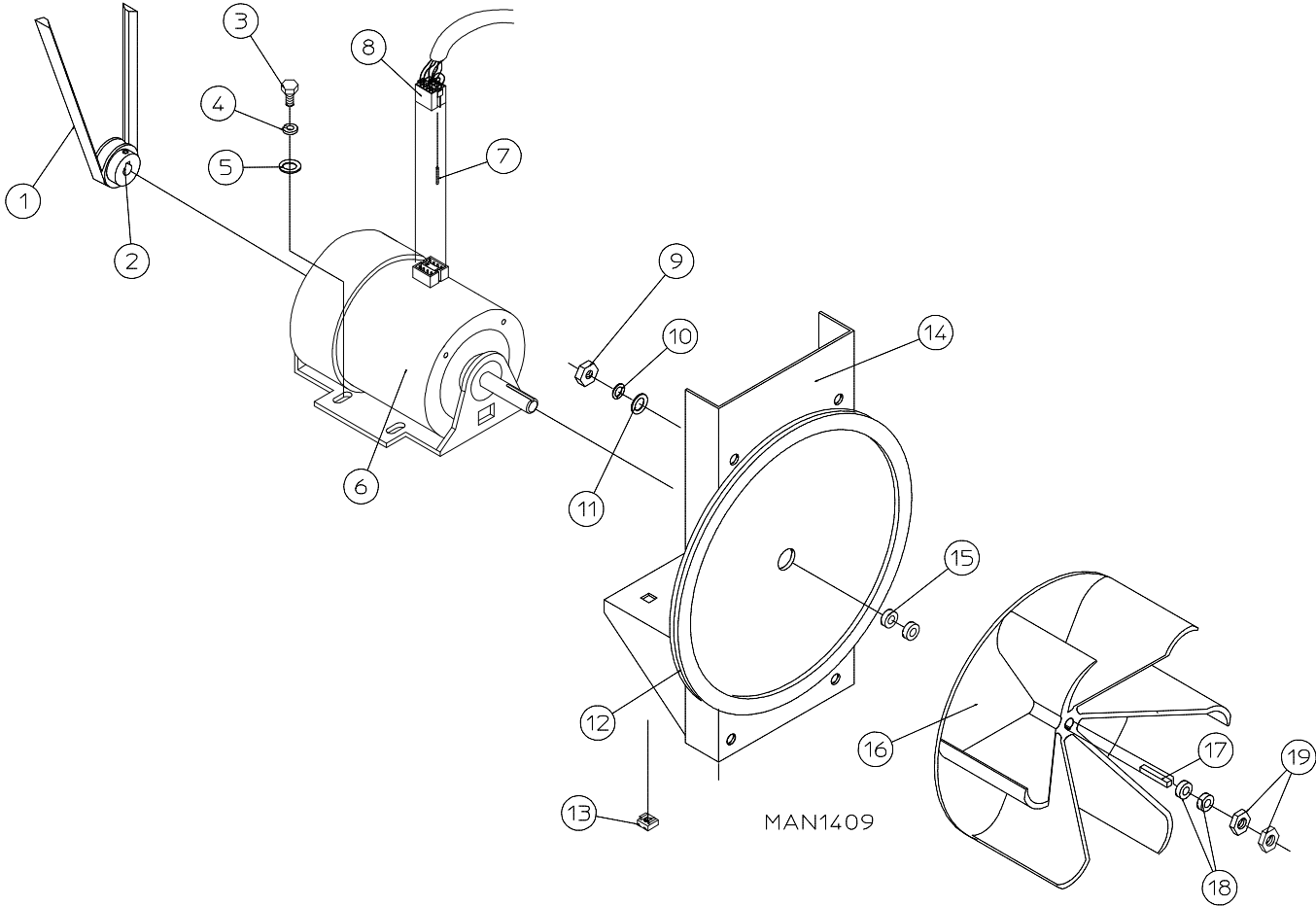




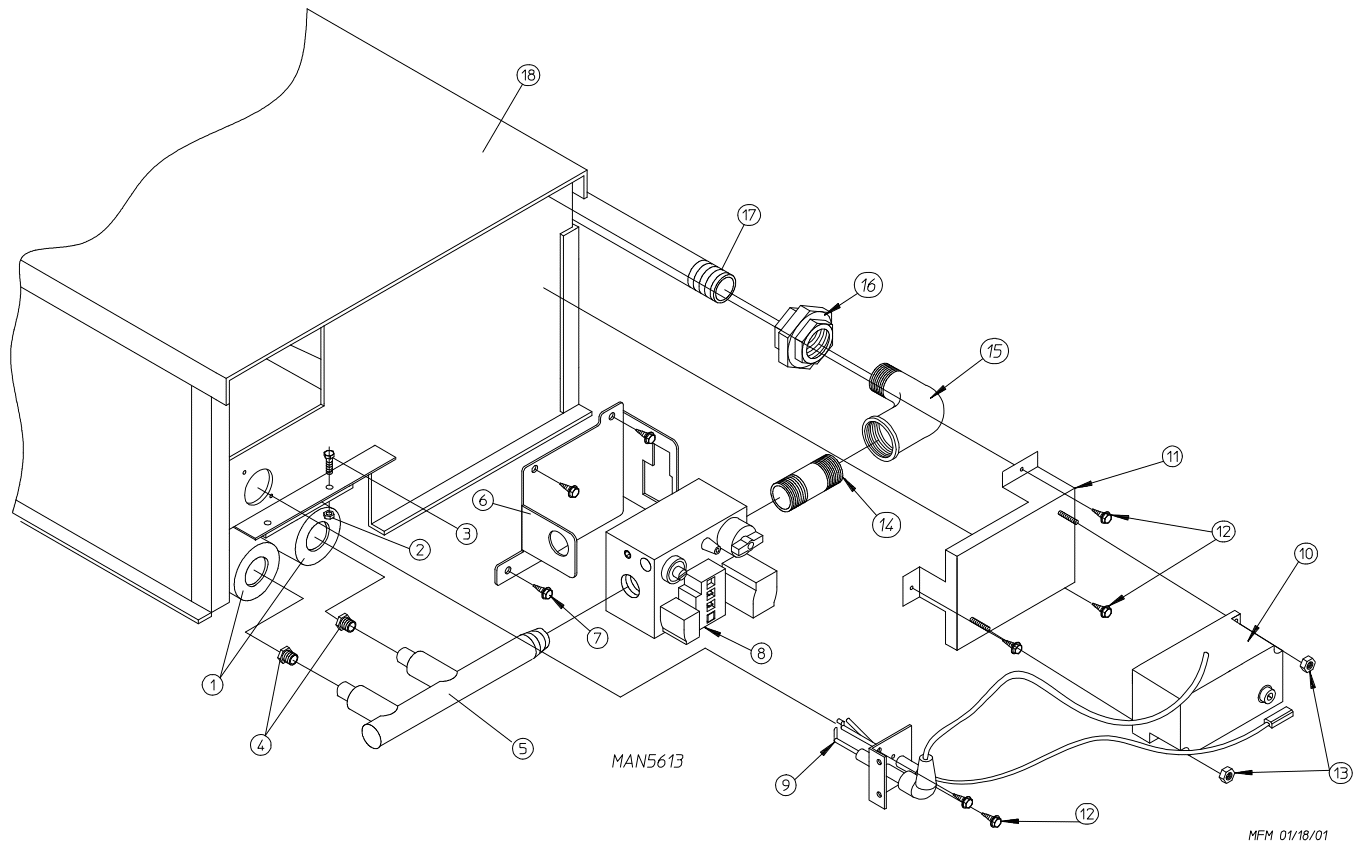
MFM 11/13/00

<u>Illus. No.</u>	<u>Part No.</u>	<u>Qty.</u>	<u>Description</u>
1	100111	1	5L-650 V-Belt
2	101129	1	9" x 2-1/2" Compound Pulley
3	100105	1	4L-520 V-Belt (idler to motor)
4	154301	2	5/16-18 x 1" Allen Setscrew
5	100705	1	3/16" x 3/16" x 1-3/8" Key
6	882576	1	Idler Bearing Assembly Complete (includes illus. nos. 5 through 12)
7	150617	2	3/8-16 x 1" Hex Head Machine Bolt
8	153005	2	3/8" Lock Washer
9	153004	2	3/8" Flat Washer
10	801009	1	Idler Square Washer
11	152004	1	5/16-18 Hex Nut
12	150509	1	5/16-18 x 3" Hex Head Machine Bolt

# Motor Mount Assembly

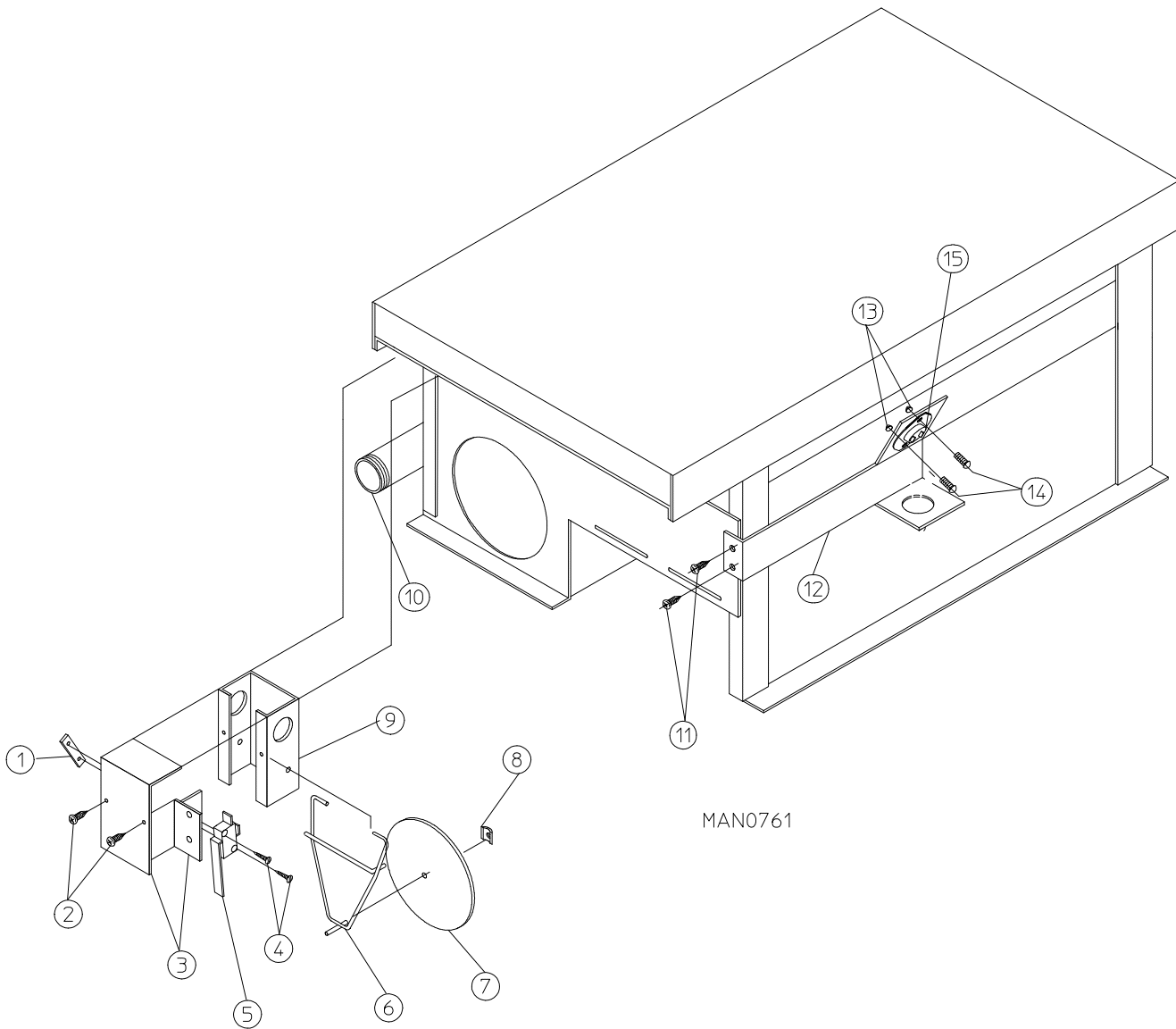


<u>Illus. No.</u>	<u>Part No.</u>	<u>Qty.</u>	<u>Description</u>
1	100105	1	4L-520 V-Belt (to idler bearing assembly)
2	101131	1	1/2" x 2-1/4" Motor Pulley (for use on 1Ø 60 Hz models Only)
3	150501	4	5/16-18 x 3/4" Tap Bolt
4	153002	4	5/16" Lock Washer
5	153001	4	5/16" Flat Washer
6	181049	1	1/2 HP 115-230v 1Ø 60 Hz Motor with Plug
7	122701	8	Socket Terminal ONLY
8	137030	1	8-Pin Housing Connector ONLY
	122801	1	Pin / Socket Extraction Tool
9	152004	4	5/16-18 Hex Nut
10	153002	4	5/16" Lock Washer
11	153001	4	5/16" Flat Washer
12	117600	4	Noise Suppressor Tape (sold by the foot)
13	154000	4	5/16-18 Tinnerman Nut
14	850016	1	1/2 HP Motor Mount ONLY (56Z frame)
	803871	1	1/2 HP 115-230v 1Ø 60 Hz Motor Mount Assembly with Plug Motor (includes illus. nos. 2 through 6 and 12 through 19)
15	153050	2	1/2" S.A.E. Flat Washer
16	100604	1	12-1/2" Impellor (fan) with 1/2" Bore
17	100702	1	1/8" x 1/8" x 1-1/2" Key
18	153050	2	1/2" S.A.E. Flat Washer
19	152006	2	1/2-20 Left Hand Jam Nut



<u>Illus. No.</u>	<u>Part No.</u>	<u>Qty.</u>	<u>Description</u>
1	141104	2	Small Tube Burner
2	151001	2	#8-32 Pal Nut
3	150108	2	#8-32 x 1/2" Phillips Pan Head Machine Screw
4	140815	2	#37 Orifice (natural gas)
	140800	2	#52 Orifice (liquid propane gas)
5	141230	1	1/2" Direct Spark Ignition Manifold (2-port)
6	318714	1	1-Piece Gas Valve Bracket
7	150309	5	#10-16 x 1/2" Hex Head TEK Crimptite Screw
8	128979	1	Gas Valve (natural gas)
	887273	1	Gas Valve (liquid propane gas)
9	809307	1	Ignitor-Probe Assembly
10	887133	1	Direct Spark Ignition Module (3 tries)
11	810030	1	Direct Spark Ignition Module Mounting Bracket
12	150300	9	#10-16 x 1/2" Hex Washer TEK Screw
13	152013	2	#6-32 Hex Nut
14	142707	1	1/2" x 1-1/2" Long Black Nipple
15	142506	1	1/2" Street Elbow
16	142600	1	1/2" Black Union
17	142809	1	1/2" x 29-1/8" Pipe
18	882982	1	Direct Spark Ignition Burner Box – Natural Gas (includes illus. nos. 1 through 3 and 5 through 18)
	882983	1	Direct Spark Ignition Burner Box – Liquid Propane Gas (includes illus. nos. 1 through 3 and 5 through 18)
—	874058	1	AD-24 Liquid Propane Conversion Kit...Not Illustrated

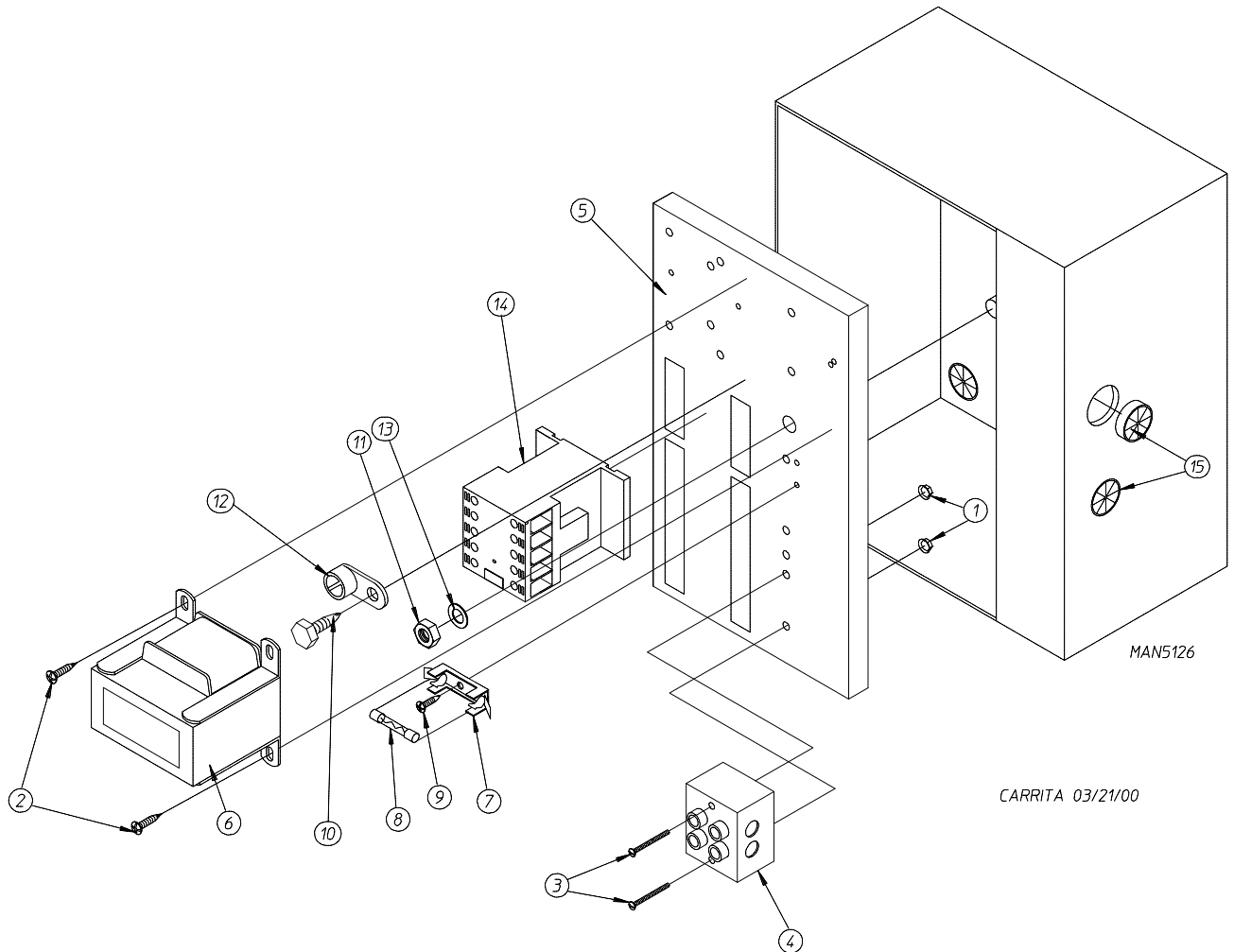
# Sail Switch / Hi-Limit Assemblies



MAN0761

<u>Illus. No.</u>	<u>Part No.</u>	<u>Qty.</u>	<u>Description</u>
1	154004	1	Twin Speed Nut
2	150309	2	#10-16 x 1/2" Hex Head TEK Crimptite Screw
3	802799	1	Sail Switch Box Cover and Bracket ONLY
4	150303	2	#4 x 3/4" Pan Head "A" Machine Screw
5	122200	1	Sail Switch ONLY
6	105500	1	Sail Switch Actuator Rod
7	319202	1	Sail Switch Damper (flat)
8	154002	1	1/8" Push On Fastener
9	802801	1	Sail Switch Box Assembly Complete (includes illus. nos. 1 through 9)
	802800	1	Sail Switch Box with Cover and Bracket ONLY
10	142809	1	1/2" x 29-1/8" Pipe
11	150309	2	#10-16 x 1/2" Hex Head TEK Crimptite Screw
12	319704	1	Hi-Limit Mounting Bracket ONLY
13	151000	2	#6-32 Pal Nut
14	150001	2	#6-32 x 1/2" Round Head Machine Screw
15	130403	1	330° Hi-Limit ONLY

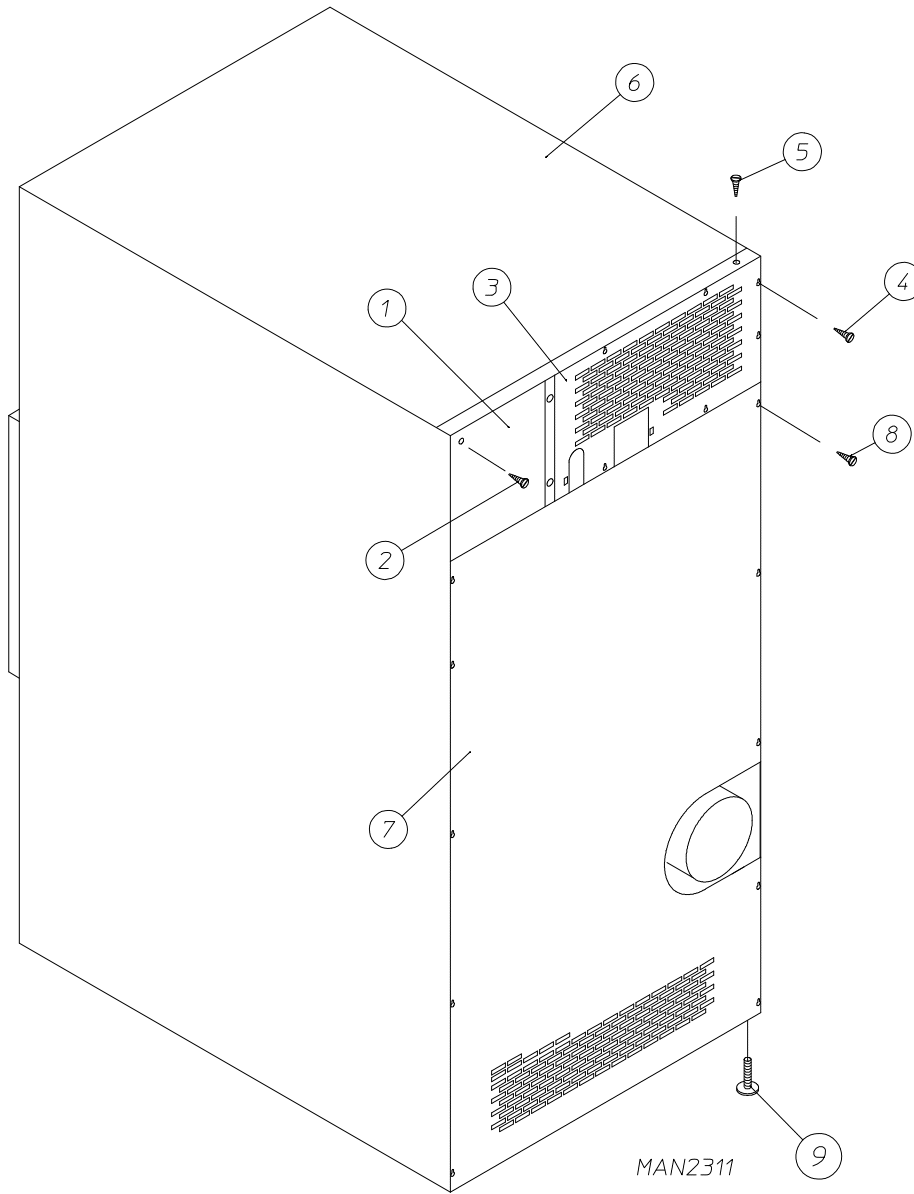
# Rear Electric Relay Panel Assembly



CARRITA 03/21/00

<u>Illus. No.</u>	<u>Part No.</u>	<u>Qty.</u>	<u>Description</u>
1	151000	2	#6-32 Pal Nut
2	150300	2	#10-16 x 1/2" Hex Washer TEK Screw
3	150008	2	#6-32 x 1-1/4" Phillips Pan Head Machine Screw
4	120716	1	2-Position Terminal Block
5	322812	1	Rear Electric Mounting Plate ONLY
	822796	1	Rear Electric Panel Assembly Complete – 115 Volt (includes illus. nos. 1 through 14)
	822798	1	Rear Electric Panel Assembly Complete – 208-240 Volt (includes illus. nos. 1 through 14)
6	822794	1	Transformer Assembly – 115 Volt
	822799	1	Transformer Assembly – 208-240 Volt
7	136008	2	Fuse Holder ONLY
8	136057	2	1/2-Amp (Slo-Blo) Fuse ONLY
9	150301	4	#8-18 x 7/16" Phillips Pan Head TEK Screw
10	150297	1	#10 x 1/2" Green Hex Washer TEK Screw
11	152004	1	5/16-18 Hex Nut
12	121010	1	L-70 Ground Lug
13	153002	1	5/16" Lock Washer
14	132514	1	3-Pole Contactor
15	121300	3	Open / Closed Bushing

# Outer Top / Back Guard Assemblies



<u>Illus. No.</u>	<u>Part No.</u>	<u>Qty.</u>	<u>Description</u>
1	322809	1	Back Electrical Box Cover
2	150301	4	#8-18 x 7/16" Phillips Pan Head TEK Screw
3	330660	1	Top Back Guard
4	150301	7	#8-18 x 7/16" Phillips Pan Head TEK Screw
5	150309	10	#10-16 x 1/2" Crimptite Hex Head TEK Screw
6	330767	1	Outer Top
7	330609	1	Bottom Back Guard
8	150301	10	#8-18 x 7/16" Phillips Pan Head TEK Screw
9	103500	4	Leveling Leg

<u>Part No.</u>	<u>Description</u>
112280	"Clean Lint Screen" Label
114001	"CAUTION Exhaust / Lint Screen" Label
114548	"Phase 7 Coin Program Location Summary" Label
120100	3/8" Straight (BX) Connector
120300	3/8" x 45° (BX) Connector
120400	3/8" Red Jacket (BX) Insulator
120500	3/8" Jiffy Clip (BX retainer clip)
120600	3/8" Greenfield (BX)
120707	Terminal Strip (2-position)
120708	Terminal Strip (3-position)
120800	1/4" In-Line Connector
120802	Red Butt Connector
120902	#74B Wire Nut
120903	Crimp-On Wire Nut
121014	1/4" Insulated (female) Terminal
121026	Tab Receptacle Combination
121499	5-1/2" Harness Tie
121500	8" Harness Tie
121503	Harness Tie Mounting Clip
122804	Manometer (hydro gauge) for Measuring Gas Pressure
404502	White Brush-In-Cap Bottle Touch-Up Paint
404515	Coral Blue Brush-In-Cap Bottle Touch-Up Paint
404516	Ivory Brush-In-Cap Bottle Touch-Up Paint

