



AD-25V Parts Manual

Phase 7 / Dual Timer

with S.A.F.E. System Option

(for models mfd. as of July 1, 2002)

American Dryer Corporation
88 Currant Road
Fall River, MA 02720-4781
Telephone: (508) 678-9000 / Fax: (508) 678-9447
E-mail: techsupport@amdry.com

www.amdry.com

Retain This Manual In A Safe Place For Future Reference

American Dryer Corporation products embody advanced concepts in engineering, design, and safety. If this product is properly maintained, it will provide many years of safe, efficient, and trouble free operation.

ONLY qualified technicians should service this equipment.

OBSERVE ALL SAFETY PRECAUTIONS displayed on the equipment or specified in the installation manual included with the dryer.

The following “**FOR YOUR SAFETY**” caution must be posted near the dryer in a prominent location.

FOR YOUR SAFETY

Do not store or use gasoline or other flammable vapors and liquids in the vicinity of this or any other appliance.

POUR VOTRE SÉCURITÉ

Ne pas entreposer ni utiliser d'essence ni d'autres vapeurs ou liquides inflammables à proximité de cet appareil ou de tout autre appareil.

We have tried to make this manual as complete as possible and hope you will find it useful. ADC reserves the right to make changes from time to time, without notice or obligation, in prices, specifications, colors, and material, and to change or discontinue models.

Important

For your convenience, log the following information:

DATE OF PURCHASE _____ MODEL NO. **AD-25V**
RESELLER'S NAME _____
Serial Number(s) _____

Replacement parts can be obtained from your reseller or the ADC factory. When ordering replacement parts from the factory, you can FAX your order to ADC at (508) 678-9447 or telephone your order directly to the ADC Parts Department at (508) 678-9000. Please specify the dryer model number and serial number in addition to the description and part number, so that your order is processed accurately and promptly.

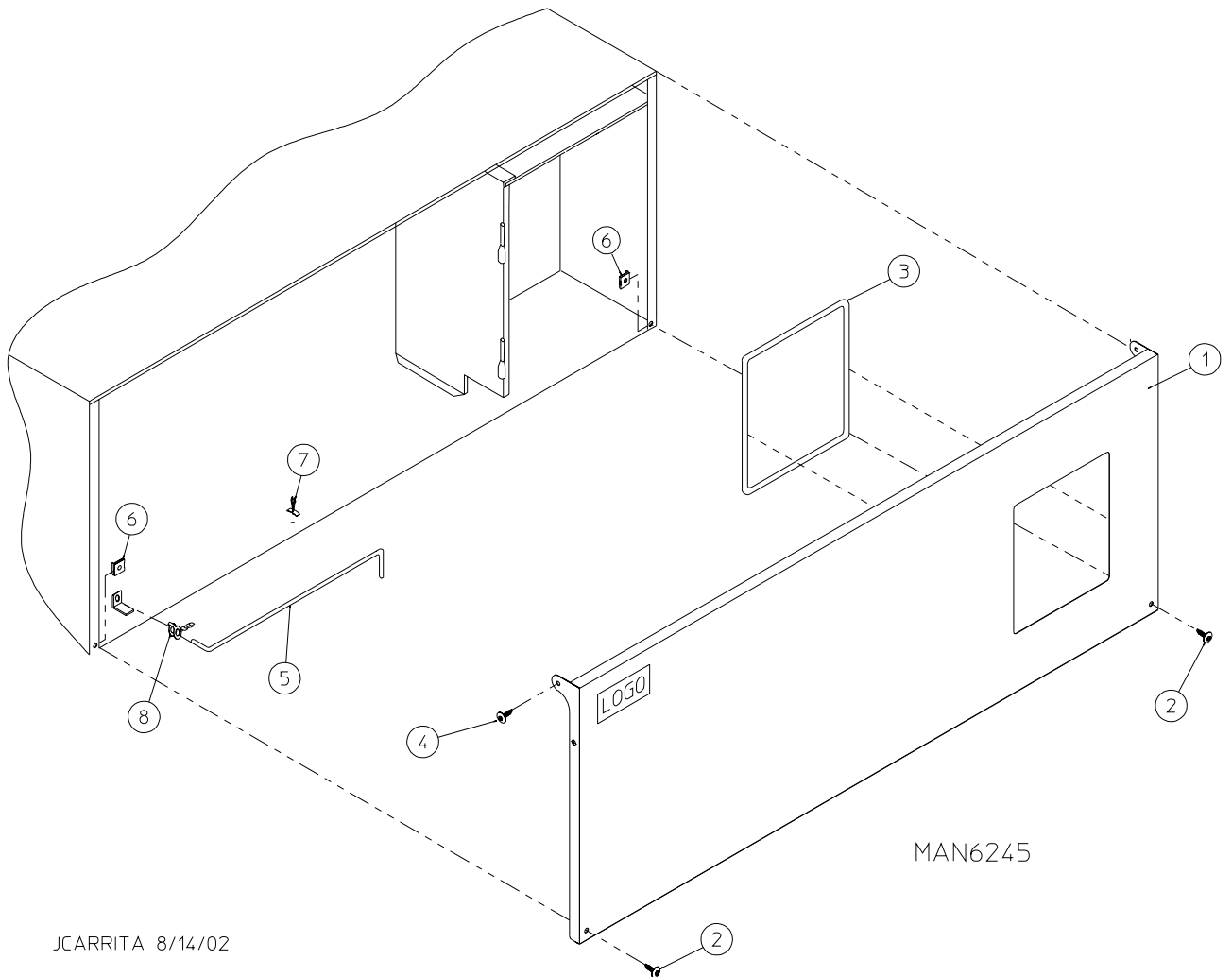
The illustrations on the following pages may not depict your particular dryer exactly. The illustrations are a composite of the various dryer models. Be sure to check the descriptions of the parts thoroughly before ordering.

“IMPORTANT NOTE TO PURCHASER”

Information must be obtained from your local gas supplier on the instructions to be followed if the user smells gas. These instructions must be posted in a prominent location near the dryer.

Table of Contents

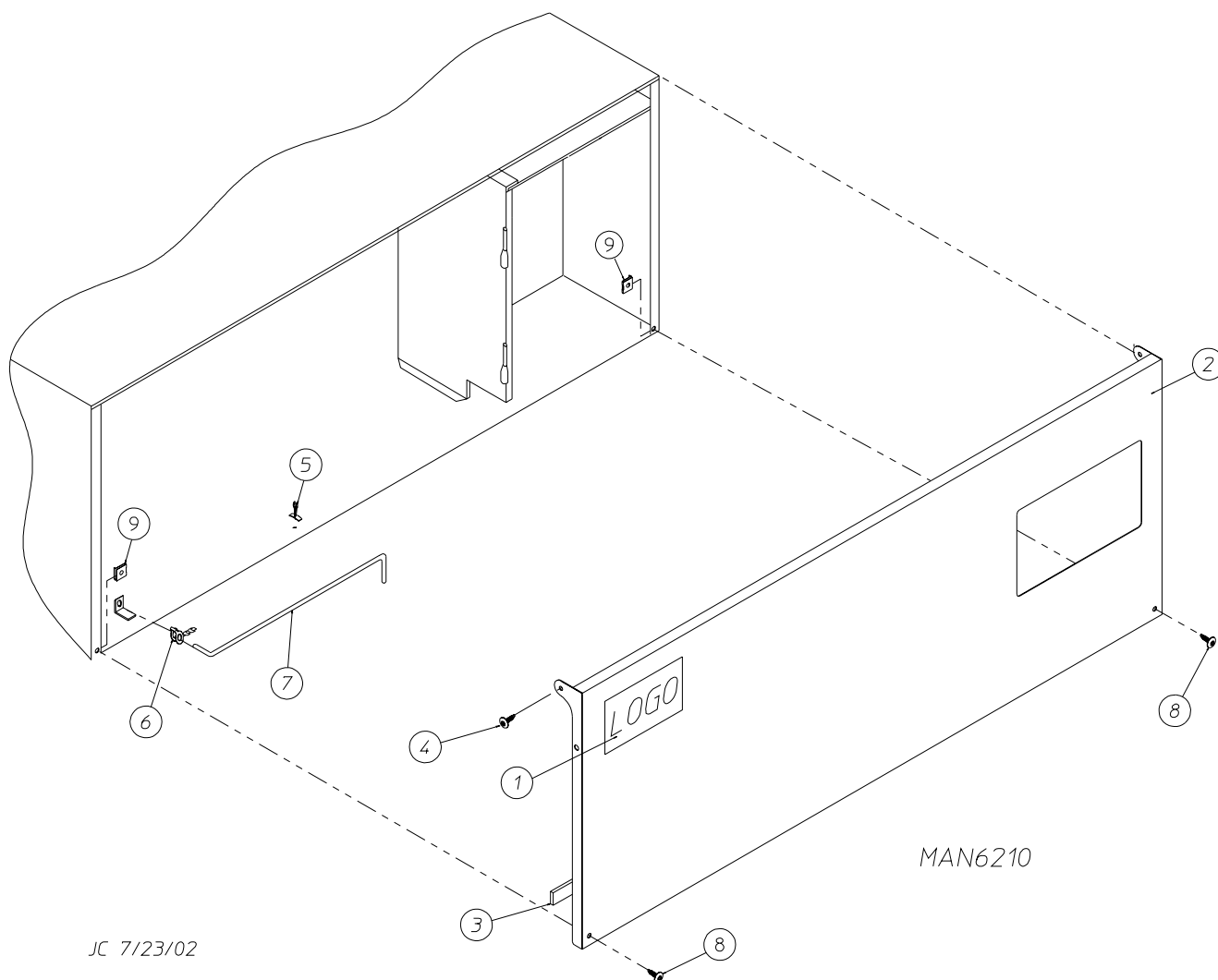
Phase 7 OPL Control Door Assembly	5
Dual Timer Control Door Assembly	6
Coin Control Door Assembly	7
Phase 7 OPL Microprocessor Control Panel Assembly	8
Phase 7 Coin Microprocessor Control Panel Assembly	9
Coin Vault Assembly	10
Phase 7 OPL Microprocessor Control Box Assembly	11
Dual Timer “Tap Touch” Controls	12
Dual Timer Control Box Assembly	13
Front Panel Assembly	14
Main Door “Steel” Assembly	15
Main Door Switch Assembly	16
Tumbler / Support Assemblies	17
Drop Lint Door Assembly	18
Lint Trap Assembly	19
Idler Bearing Assembly	20
Tumbler Bearing Assembly	21
Non-Reversing Motor Mount Assembly	22
Reversing Motor Mount Assembly	24
Sensor Bracket Assemblies	26
Gas Burner Assembly	28
CE Gas Burner Assembly for Models Mfd. as of August 27, 2002	30
CE Gas Burner Assembly for Models Mfd. prior to August 27, 2002	32
Electric Oven Assembly	34
Phase 7 OPL Single-Phase (1 \emptyset) Rear Relay Panel Assembly	36
Phase 7 OPL 208-416V 3-Phase (3 \emptyset) Rear Relay Panel Assembly	38
Phase 7 OPL 460-480V Rear Relay Panel Assembly	40
Phase 7 OPL 208-416V Reversing Rear Relay Panel Assembly	42
Phase 7 OPL 460-480V Reversing Rear Relay Panel Assembly	44
Dual Timer Single-Phase (1 \emptyset) Rear Relay Panel Assembly	45
Dual Timer 208-416V 3-Phase (3 \emptyset) Rear Relay Panel Assembly	46
Dual Timer 460-480V 3-Phase (3 \emptyset) Rear Relay Panel Assembly	47
Dual Timer 208-416V Reversing Rear Relay Panel Assembly	48
Dual Timer 460-480V Reversing Rear Relay Panel Assembly	49
Steam Coil / Air-Operated Steam Damper Assembly	50
Sensor Activated Fire Extinguishing System Assembly for Models Mfd. as of November 8, 2011	51
Sensor Activated Fire Extinguishing System Assemblies for Models Mfd. prior to November 8, 2011	52
Outer Top / Back Guard Assemblies	53
Electrical Oven Component Application Charts	54
Additional Parts Available	55



JCARRITA 8/14/02

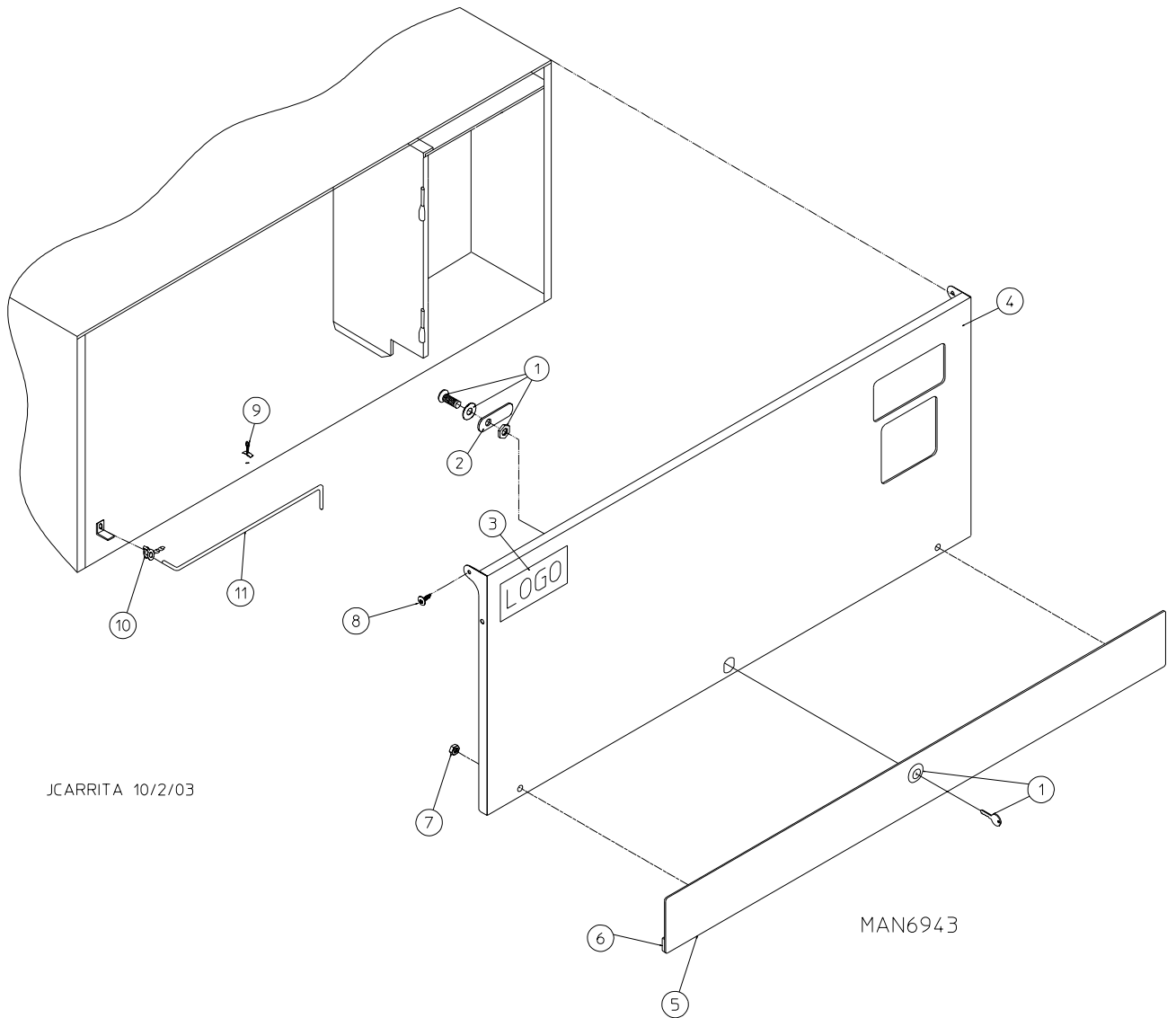
Illus. No.	Part No.	Qty.	Description
1	883574	1	White Control Door Assembly (includes illus. nos. 1 and 3)
	883746	1	Coral Blue Control Door Assembly (includes illus. nos. 1 and 3)
	883747	1	Ivory Control Door Assembly (includes illus. nos. 1 and 3)
2	150321	2	#10-32 x 1/2" Phillips Machine Screw
3	117604	4	Noise Suppression Tape (sold by the foot)
4	150317	2	#10-16 x 3/4" TORX + Screw
	150318	1	25 IP TORX + Bit (for removal of TORX head screw)
5	102502	1	Control Door Support Rod
6	154011	2	#10-32 Multi-Thread U-Nut
7	102603	1	Control Door Rod Support Catch
8	102601	1	Control Door Retainer Clip

Dual Timer Control Door Assembly



Illus. No.	Part No.	Qty.	Description
1	881053	1	ADC Logo with Tape
	870011	1	Double Sided Tape Kit
2	883550	1	White Control Door Assembly (includes illus. nos. 2 and 3)
	883551	1	Ivory Control Door Assembly (includes illus. nos. 2 and 3)
	883552	1	Coral Blue Control Door Assembly (includes illus. nos. 2 and 3)
3	117604	3	Noise Suppression Tape (sold by the foot)
4	150317	2	#10-16 x 3/4" TORX + Screw
	150318	1	25 IP TORX + Bit (for removal of TORX head screw)
5	102603	1	Control Door Rod Support Catch
6	102601	1	Control Door Rod Retainer Clip
7	102502	1	Control Door Support Rod
8	150321	2	#10-32 x 1/2" Phillips Machine Screw
9	154011	2	#10-32 Multi-Thread U-Nut

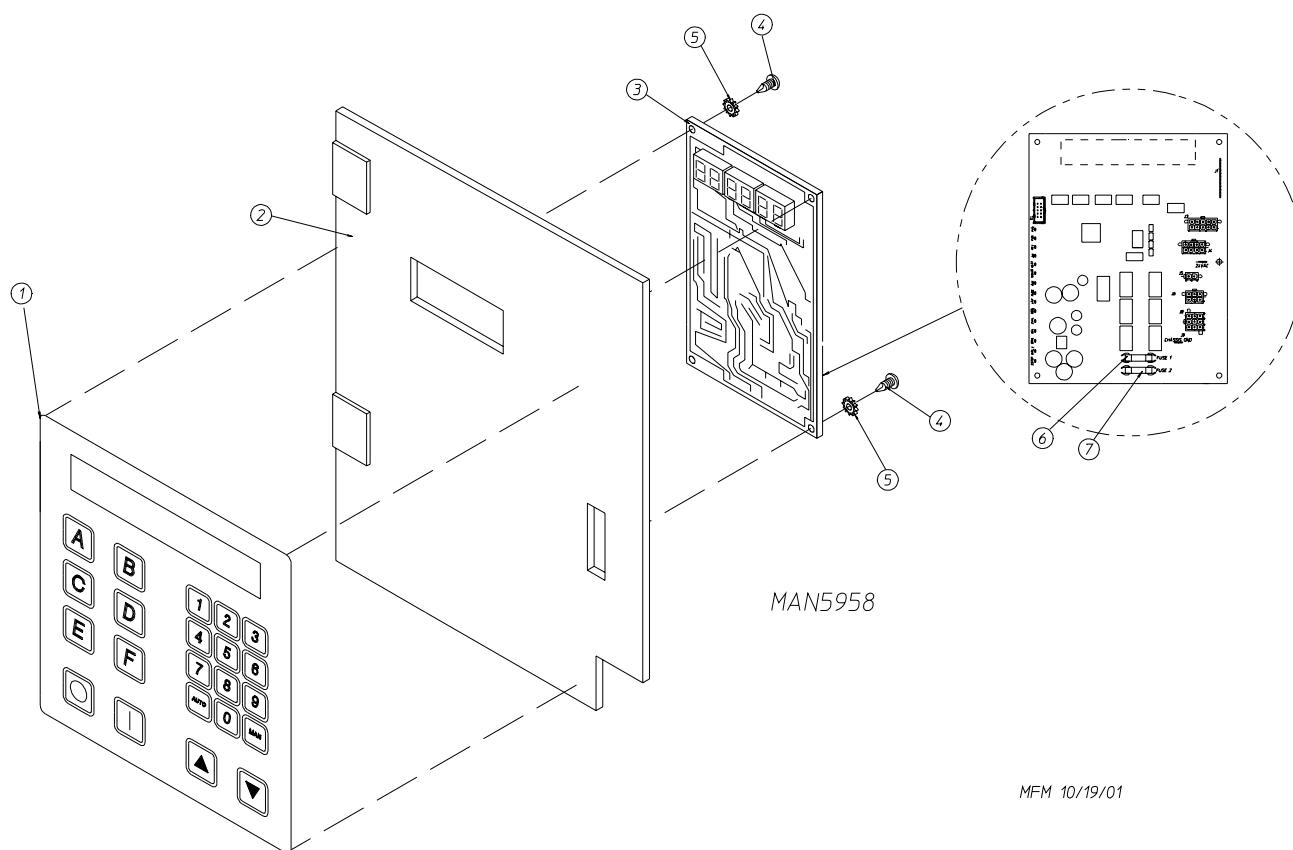
Coin Control Door Assembly



<u>Illus. No.</u>	<u>Part No.</u>	<u>Qty.</u>	<u>Description</u>
1	160015	1	High Security MK-100 Lock Assembly with Key
	160104	1	MK-100 Key Only
2	160032	1	Lock Cam Only
3	881053	1	ADC Logo with Tape
4	823147*	1	Control Door Assembly with Black Trim (includes illus. nos. 4 through 7)
5	883476	1	Black Trim
6	117604	6	Neoprene Sponge Tape (sold by the foot)
7	152014	4	1/4-20 Free Spin Wash Nut
8	150317	2	#10-16 x 3/4" TORX + BTN, Type 1
	150318	1	TORX + Bit
9	102603	1	Control Door Support Rod Catch
10	102601	1	Control Door Rod Retainer Clip
11	102503	1	Control Door Support Rod

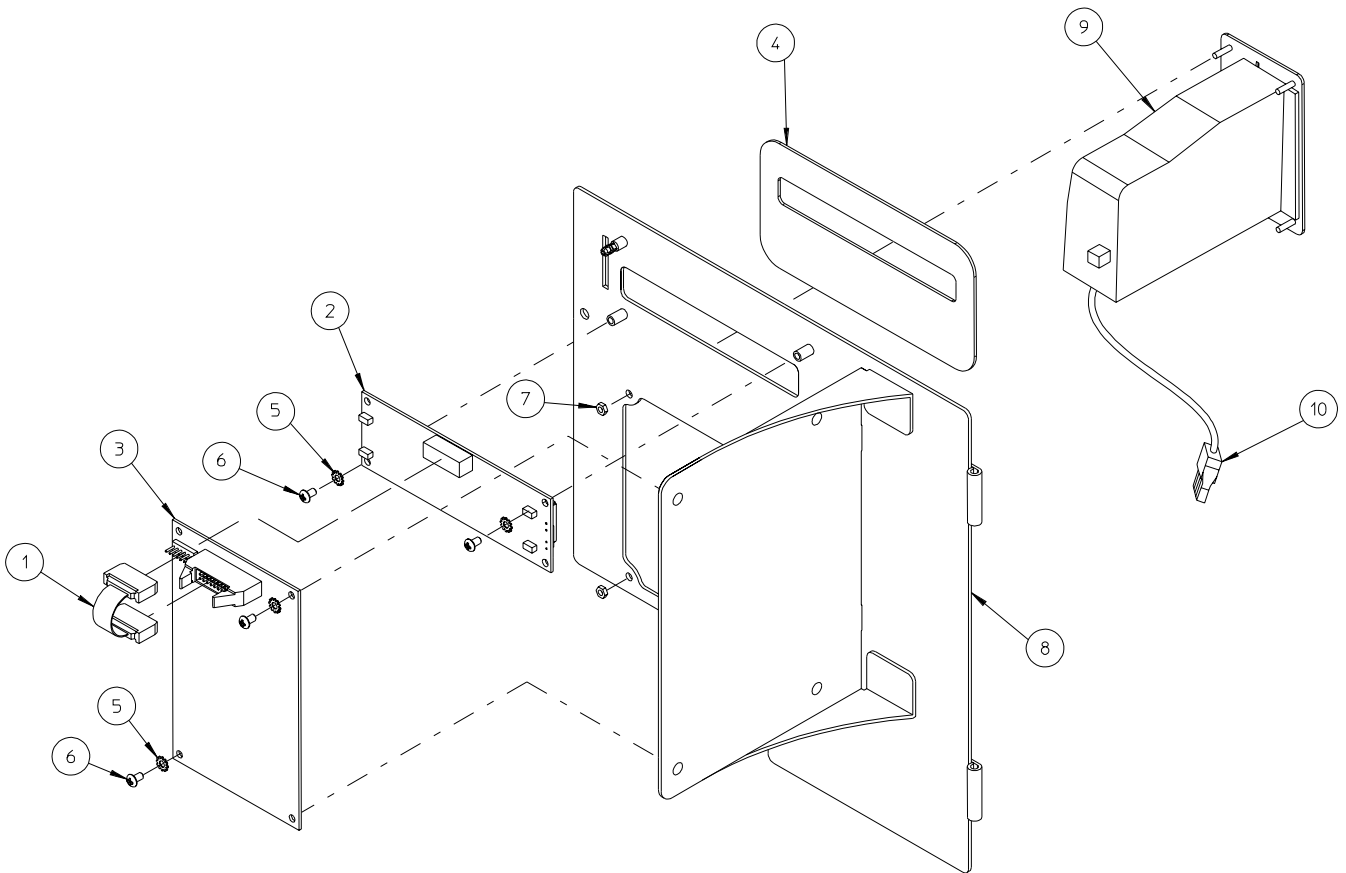
* Specify color when ordering.

Phase 7 OPL Microprocessor Control Panel Assembly



Illus. No.	Part No.	Qty.	Description
1	112571	1	Phase 7 OPL Keyboard
2	850984	1	Phase 7 OPL Microprocessor Panel ONLY
3	887024		Phase 7 OPL No Sensor Activated Fire Extinguishing Pressure Switch (for models mfd. as of December 3, 2003)
	887003		Phase 7 OPL with Sensor Activated Fire Extinguishing Pressure Switch (for models mfd. as of December 3, 2003)
	887000	1	Phase 7 OPL Microprocessor with Sensor Activated Fire Extinguishing No H ₂ O (for models mfd. prior to December 3, 2003)
4	150005	2	#6-32 x 3/4" Phillips Round Head Machine Screw
5	153010	2	#6 Star Washer
6	136097	1	500 mA Fuse
7	136016	1	5-Amp Fuse

Phase 7 Coin Microprocessor Control Panel Assembly

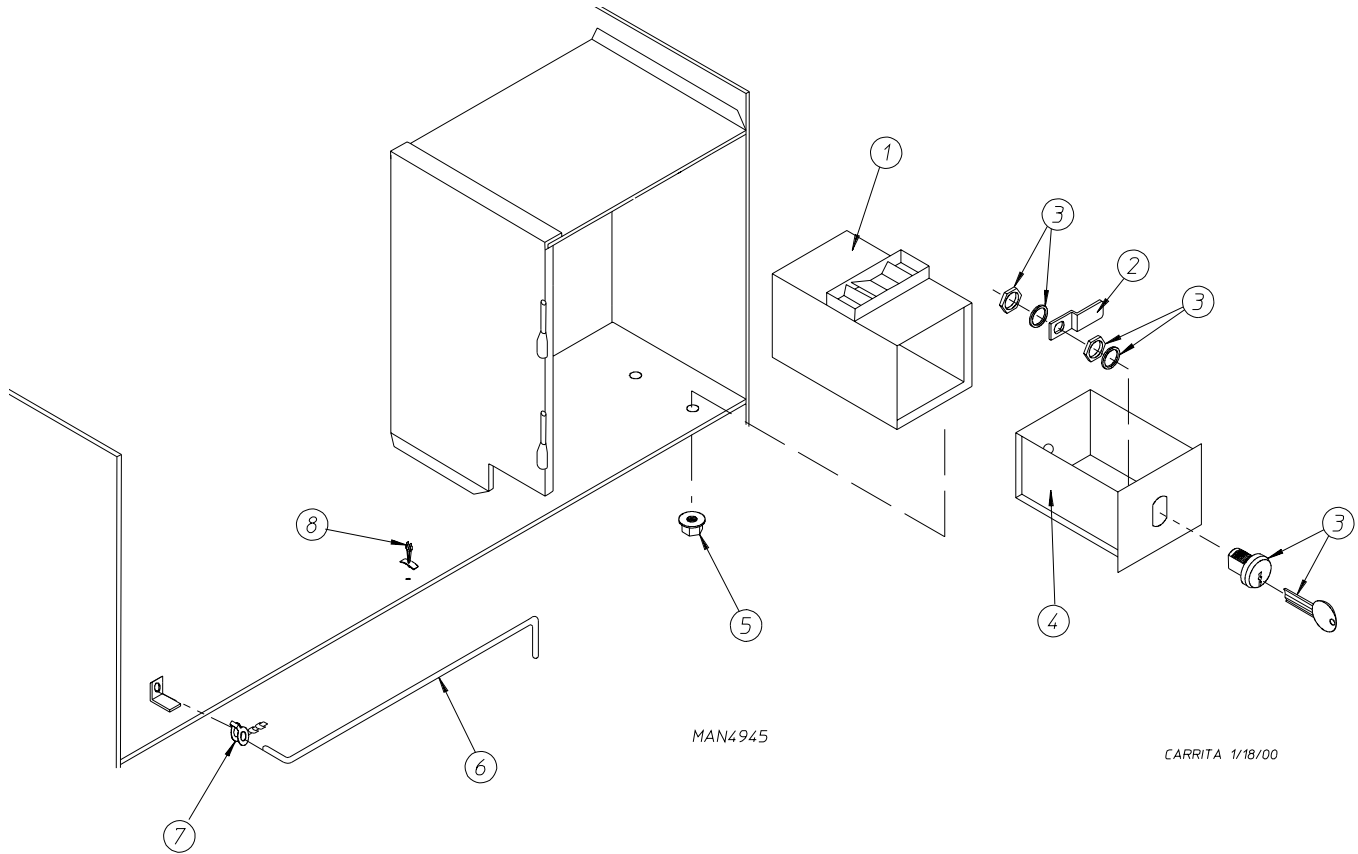


JCARRITA 10/17/02

MAN6308

<u>Illus. No.</u>	<u>Part No.</u>	<u>Qty.</u>	<u>Description</u>
1	137250	1	Phase 7 Coin Ribbon Cable
2	137270	1	16" x 1" Large Character Display
3	887007	1	Phase 7 Coin Board (for models without Sensor Activated Fire Extinguishing System)
	887009	1	Phase 7 Coin Board (for models with Sensor Activated Fire Extinguishing System)
4	112575	1	Phase 7 Keyboard
5	153010	4	#6 Internal and External Star Washers
6	150005	4	#6-32 x 1/4" Phillips Round Head Machine Screw
7	152102	4	M3 Metric Hex Nut
8	823145	1	Phase 7 Coin Control Panel Only
	823146	1	Phase 7 Coin Control Panel Assembly (includes illus. nos. 1 through 8)
9	818232	1	Phase 7 25¢ Coin Acceptor Assembly
	830159		Phase 7 Programmable Euro Coin Acceptor Assembly
	830136		Phase 7 Programmable Shekel Coin Acceptor Assembly
	830006		Phase 7 Programmable NZD / AUD / HKD Coin Acceptor Assembly
10	122633	1	3-Pin Connector

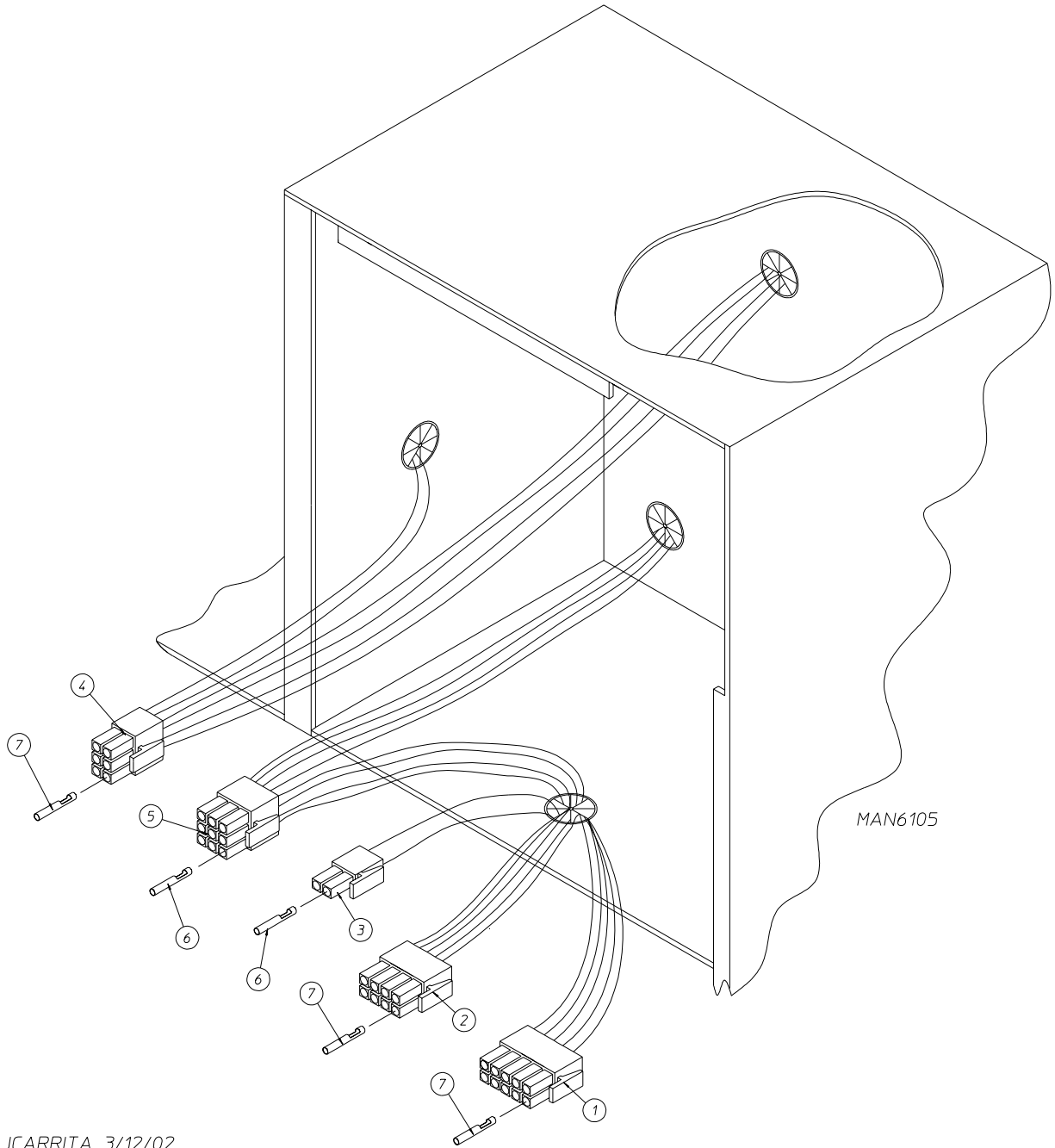
Coin Vault Assembly



<u>Illus. No.</u>	<u>Part No.</u>	<u>Qty.</u>	<u>Description</u>
1	884050	1	Microprocessor Coin Vault Assembly Complete (includes illus. nos. 1 through 5)
	823143	1	Microprocessor Coin Vault ONLY
2	160028	1	Cam for 1/4 Turn Lock ONLY
3	875061	1	1/4 Turn Lock with Key and Cam
	160105*	1	1/4 Turn Mer-Pel Key ONLY
4	802020	1	1/4 Turn Coin Box Assembly (includes illus. nos. 2 through 4)
5	152014	4	1/4-20 Free Spin Wash Nut
6	102502	1	Control Door Support Rod
7	102601	1	Control Door Rod Retainer Clip
8	102603	1	Control Door Rod Catch

* Specify key number when ordering.

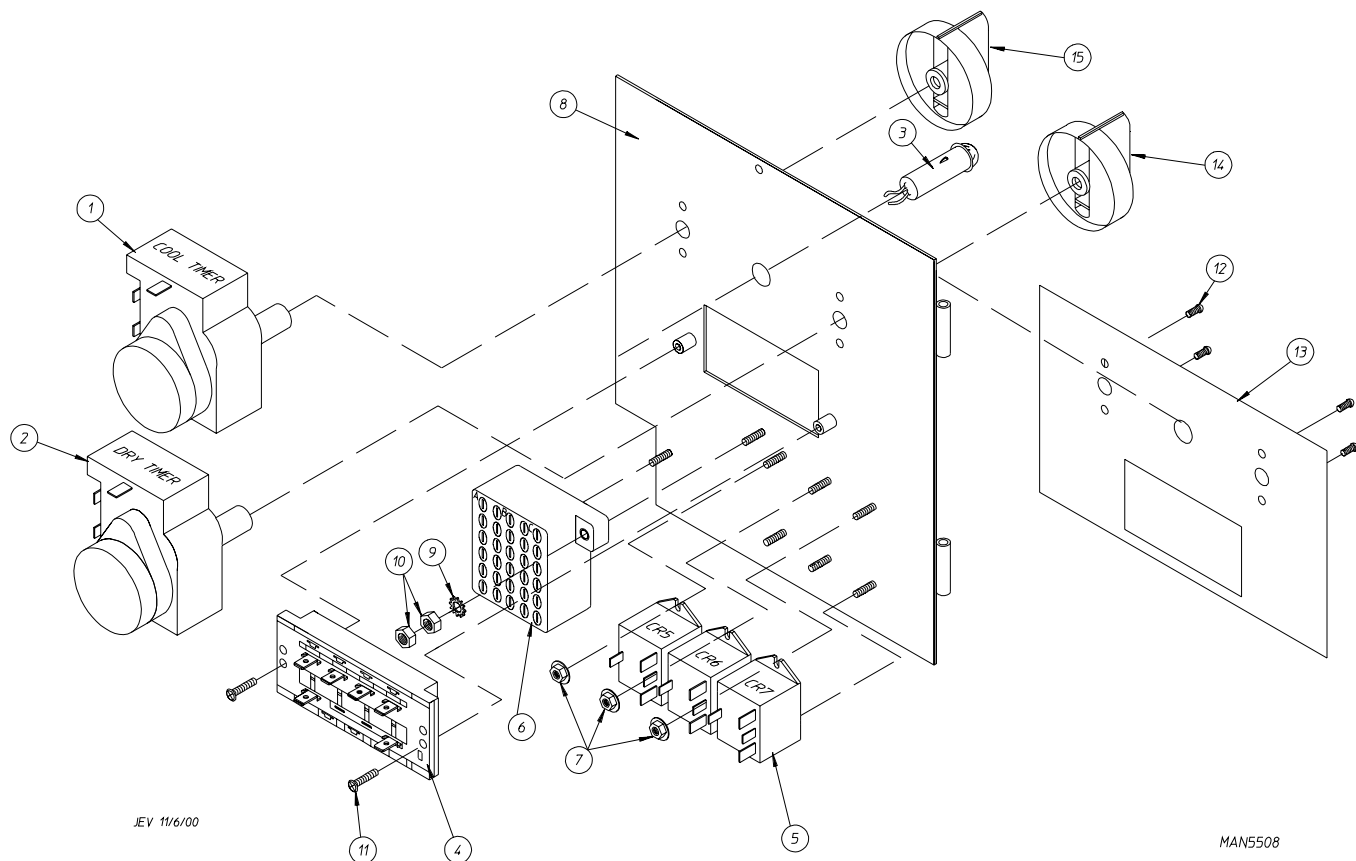
Phase 7 OPL Microprocessor Control Box Assembly



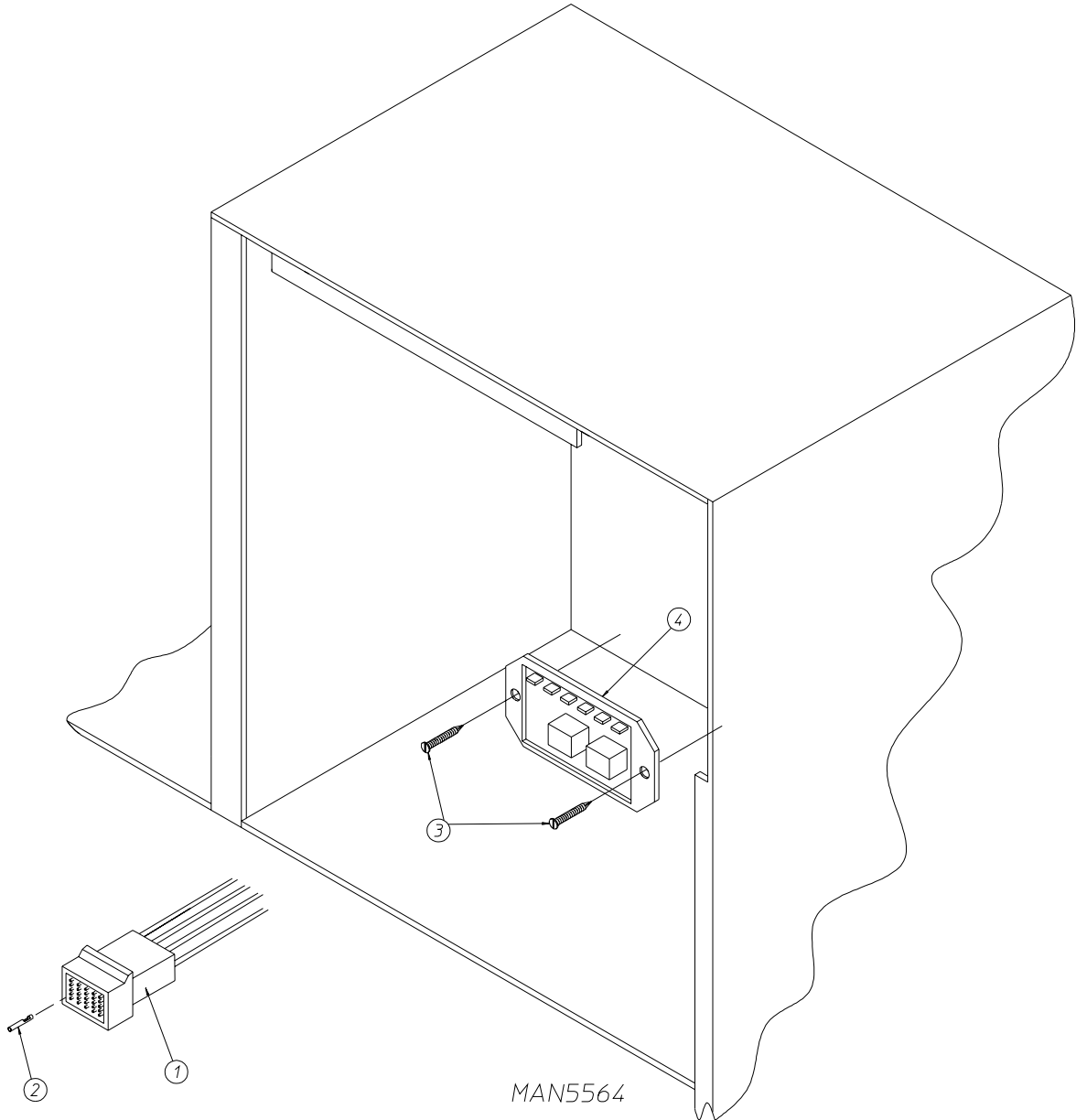
Illus. No.	Part No.	Qty.	Description
1	122681	1	10-Pin Connector
2	122676	1	8-Pin Connector
3	122646	1	2-Pin Connector
4	122683	1	6-Pin Connector
5	122640	1	9-Pin Connector
6	122706	*	#20-16 AWG Socket
7	122669	*	Female Crimp Terminal

* As needed.

Dual Timer "Tap Touch" Controls



Illus. No.	Part No.	Qty.	Description
1	824298	1	15 Minute Timer – 24 VAC
2	824299	1	60 Minute Timer – 24 VAC
3	824175	1	Red Pilot Light – 24 VAC
4	122301	1	"Tap Touch" Switch
5	131932	3	Relay SPST 24v
6	120730	1	30-Position Terminal Block
7	151000	6	#6-32 Pal Nut
8	882903	1	Dual Timer Panel Complete (includes illus. nos. 1 through 15)
	850392	–	Dual Timer Panel ONLY
9	153010	2	#6 Star Washer
10	152000	2	#6-32 Hex Nut
11	150108	2	#8-32 x 1/2" Phillips Pan Head Machine Screw
12	150110	4	#8-32 x 1/4" Phillips Round Head Machine Screw
13	112563	1	Dual Timer Panel Overlay
14	124104	1	Pure Touch Knob with Red Pointer
15	124105	1	Pure Touch Knob with Blue Pointer

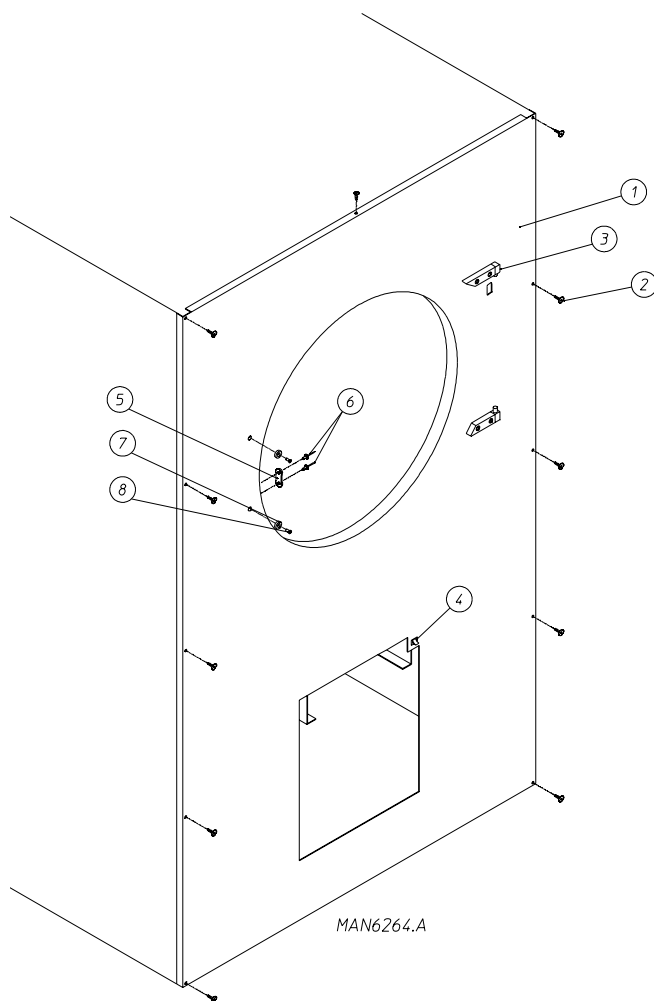


JCARRITA 12/26/00

Illus. No.	Part No.	Qty.	Description
1	122641	1	15-Pin Connector
2	122706	*	Socket Terminal
	122801	1	Pin / Socket Extraction Tool ... Not Illustrated
3	150301	2	#8-18 x 7/16" Phillips Pan Head TEK Screw
4	132198	1	Reversing Timer 24v (for reversing dual timer models Only)

* As required.

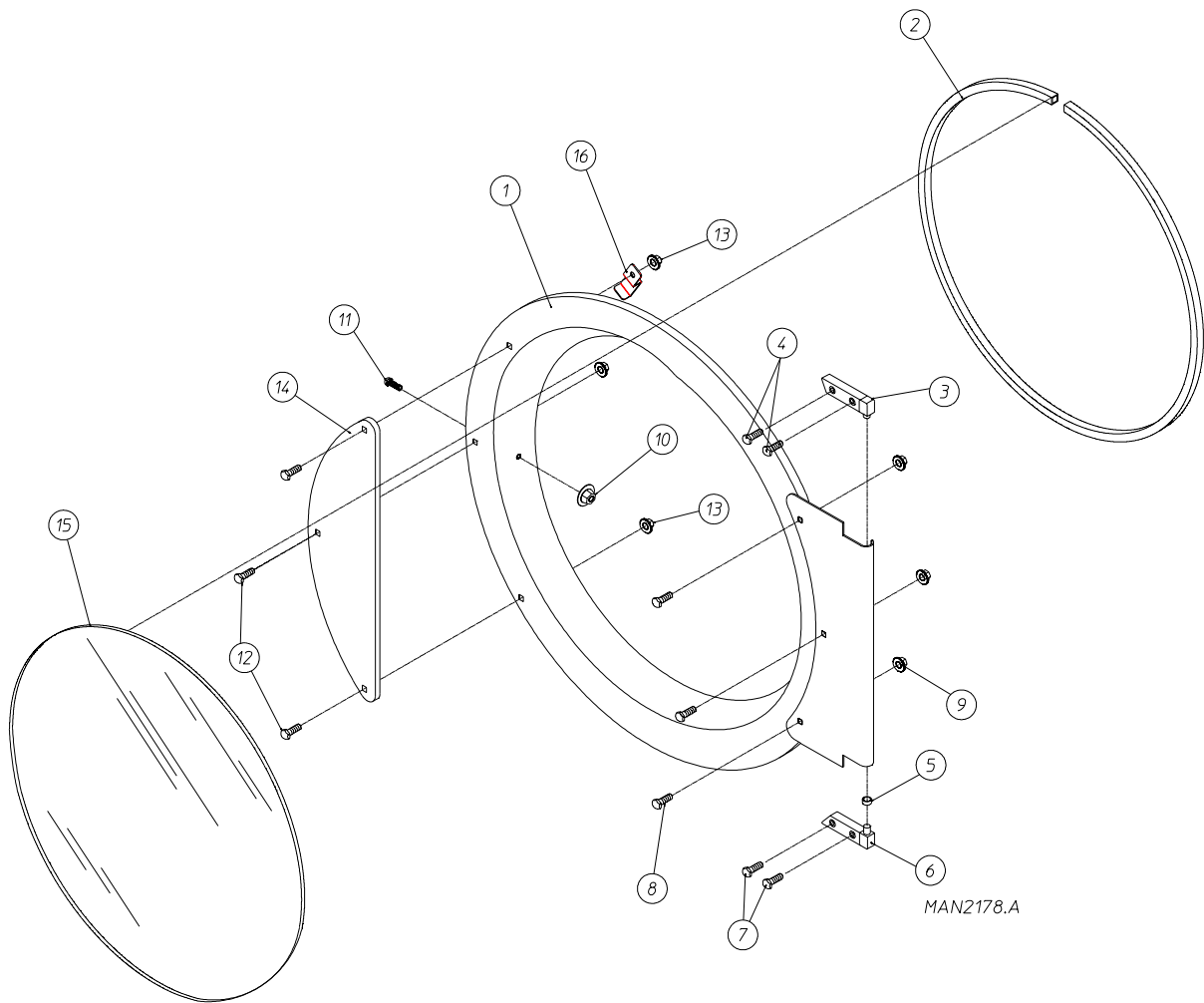
Front Panel Assembly



<u>Illus. No.</u>	<u>Part No.</u>	<u>Qty.</u>	<u>Description</u>
1	883567*	1	RH Front Panel Assembly (for models prior to August 22, 2007) (includes illus. nos. 1, 5 and 6)
	883568*	1	Ivory Front Panel Assembly (for models prior to August 22, 2007) (includes illus. nos. 1, 5 and 6)
	883569*	1	Coral Blue Front Panel Assembly (for models prior to August 22, 2007) (includes illus. nos. 1, 5 and 6)
	822684		RH Front Magnetic Panel Assembly (for models as of August 22, 2007)
	822692		RH Front Magnetic Panel Assembly
2	150313	11	#10-16 x 1/2" TORX + Screw
	150318	1	25 IP TORX + Bit (for removal of TORX head screw)
3	—	1	Main Door Hinge (refer to Main Door "Steel" Assembly on page 15)
4	122002	1	Lint Drawer Switch
5	170330	1	Friction Door Latch
6	154215	2	5/32" Pop Rivet
7	102004	2	Magnet
8	152223	2	Screw

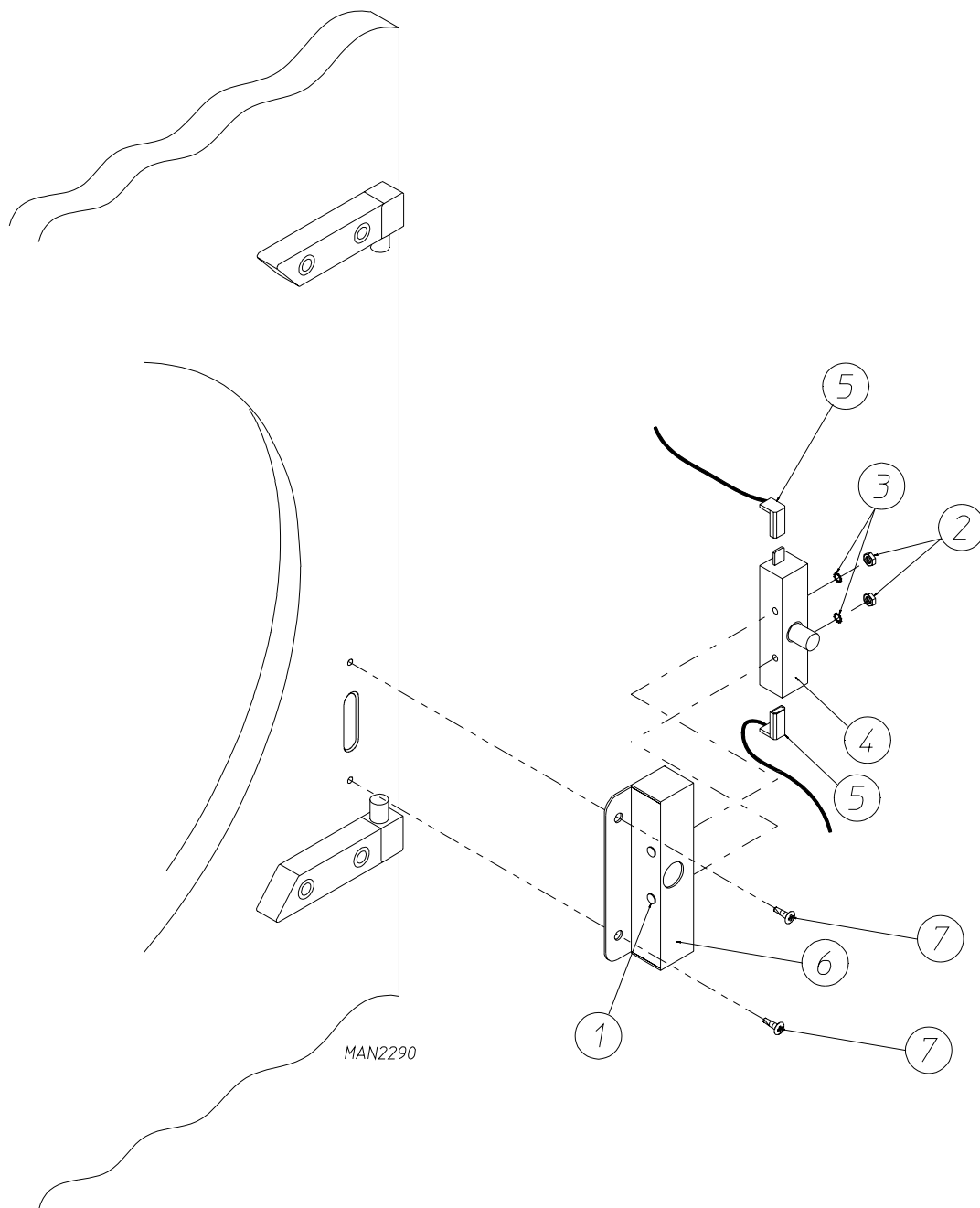
* Specify color.

Main Door "Steel" Assembly

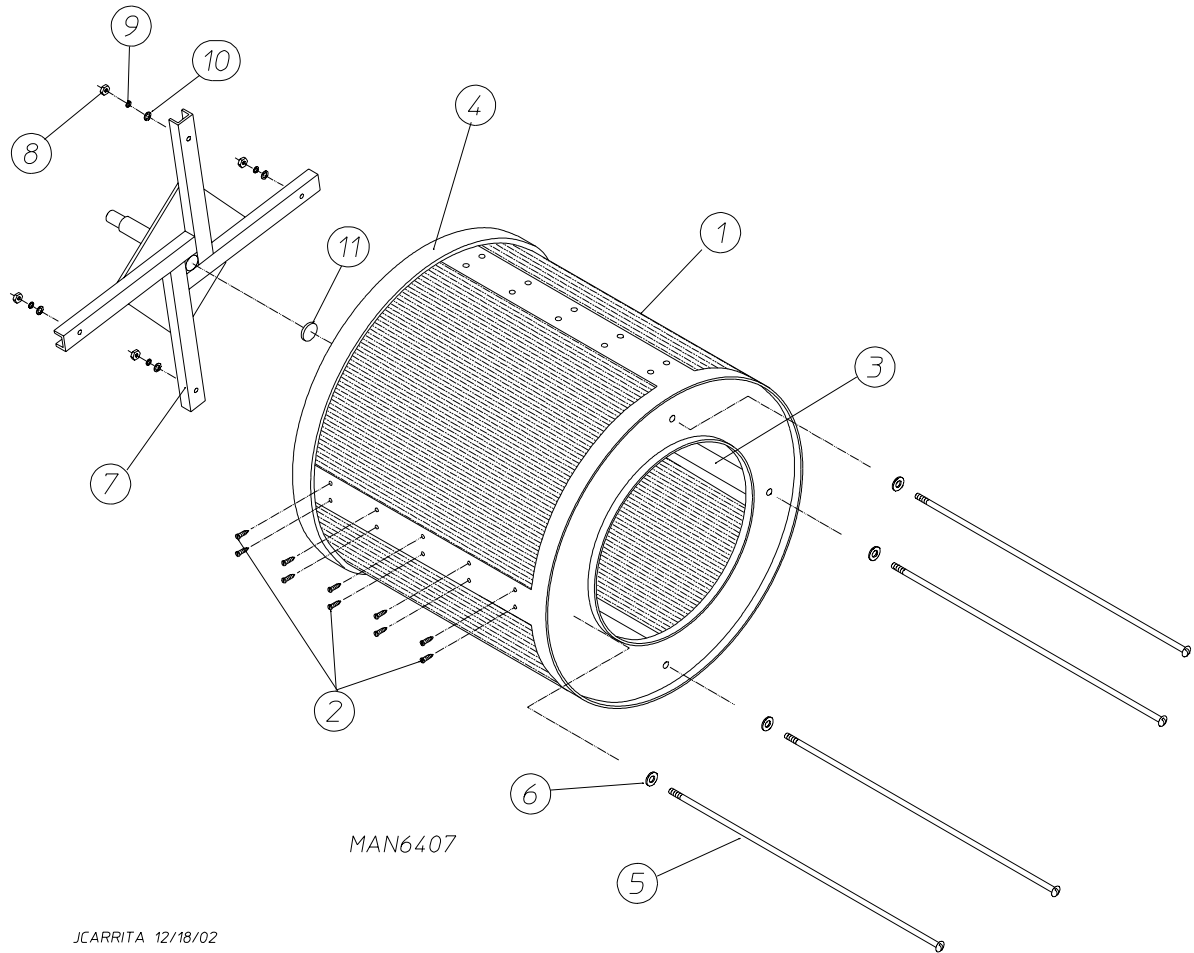


<u>Illus. No.</u>	<u>Part No.</u>	<u>Qty.</u>	<u>Description</u>
1	881150	1	Black Main Door Assembly Complete (includes illus. nos. 1, 2, and 8 through 15)
2	102354	1	Door Gasket
	170731	1	Black Gasket Adhesive (10.3 oz. cartridge)
3	881152	1	Black Top Hinge Block Assembly (includes illus. nos. 3 and 4)
4	150445	2	1/4-20 x 3/4" Black Cap Head Screw
5	153031	1	1/4" Nylon Washer
6	881151	1	Black Bottom Hinge Block Assembly (includes illus. nos. 5 through 7)
7	150445	2	1/4-20 x 3/4" Black Cap Head Screw
8	150683	3	1/4-20 x 5/8" Black Carriage Bolt
9	152014	3	1/4-20 Free Spin Wash Nut
10	151010	1	#10-32 Black Hex Acorn Nut
11	150125	1	Door Latch Screw
12	150683	3	1/4-20 x 5/8" Black Carriage Bolt
13	152014	3	1/4-20 Free Spin Wash Nut
14	881210	1	Black Main Door Handle
15	102211	1	20-7/16" Door Glass
	170731	1	Black Glass Adhesive (10.3 oz. cartridge)
16	319298	2	Main Door Magnet Bracket (for models mfd. as of August 22, 2007)

Main Door Switch Assembly



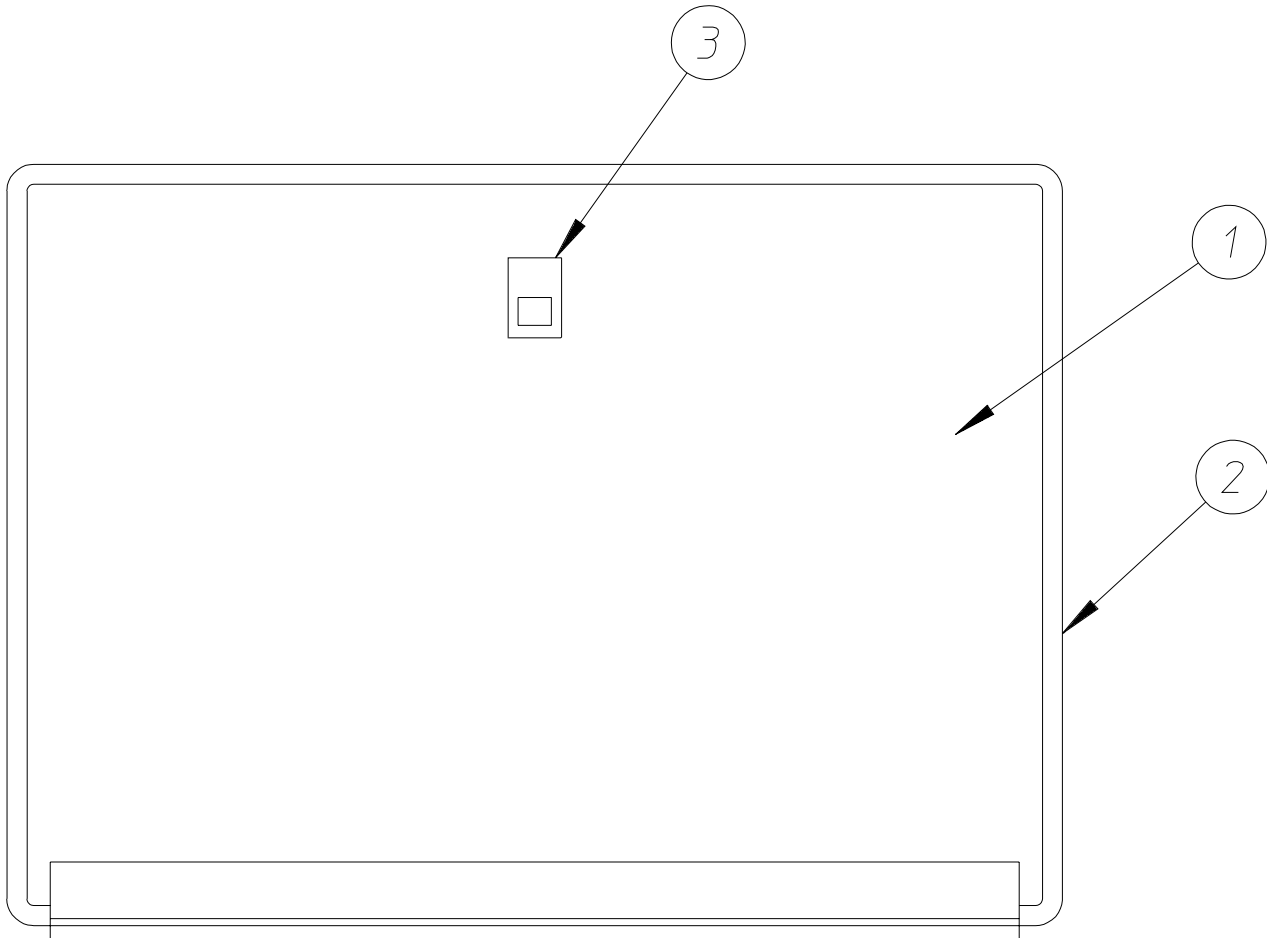
Illus. No.	Part No.	Qty.	Description
1	150006	2	#6-32 x 7/8" Phillips Pan Head Machine Screw
2	152013	2	#6-32 Hex Nut
3	153010	2	#6 Star Washer
4	137005	1	Door Switch
5	122636	2	Flag Terminal
6	881211	1	Black Main Door Switch Housing ONLY (includes illus. nos. 1 and 6)
	881153	1	Black Main Door Switch Housing Complete (includes illus. nos. 1 through 4 and 6)
7	150301	2	#8-18 x 7/16" Phillips Pan Head TEK Screw



<u>Illus. No.</u>	<u>Part No.</u>	<u>Qty.</u>	<u>Description</u>
1*	800702	1	Galvanized Tumbler ONLY (includes illus. nos. 1 through 3)
	817085	1	Galvanized Tumbler / Support Assemblies Complete (includes illus. nos. 1 through 3 and 5 through 11)
	800731	1	Stainless Steel Tumbler ONLY (includes illus. nos. 1 through 3)
	800752	1	Stainless Steel Tumbler / Support Assemblies Complete (includes illus. nos. 1 through 3 and 5 through 11)
2	150313	24	#10-16 x 1/2" TORX Crimptite Screw
3	301305	4	Galvanized Tumbler Rib
	301420	4	Stainless Steel Tumbler Rib
4	116002	1	Felt Collar
5	100914	4	3/8-18 x 20" Tie Rod
6	153004	4	3/8" Flat Washer
7	817084	1	Tumbler Support
8	152027	4	3/8-16 Lock Nut
9	153005	4	3/8" Lock Washer
10	153004	4	3/8" Flat Washer
11	115986	1	1/4" x 2" Felt Tumbler Pad
	401010	1	#847 Adhesive for Felt Collar (5.0 oz. tube) ... Not Illustrated

* Felt collar is not included and must be ordered separately.

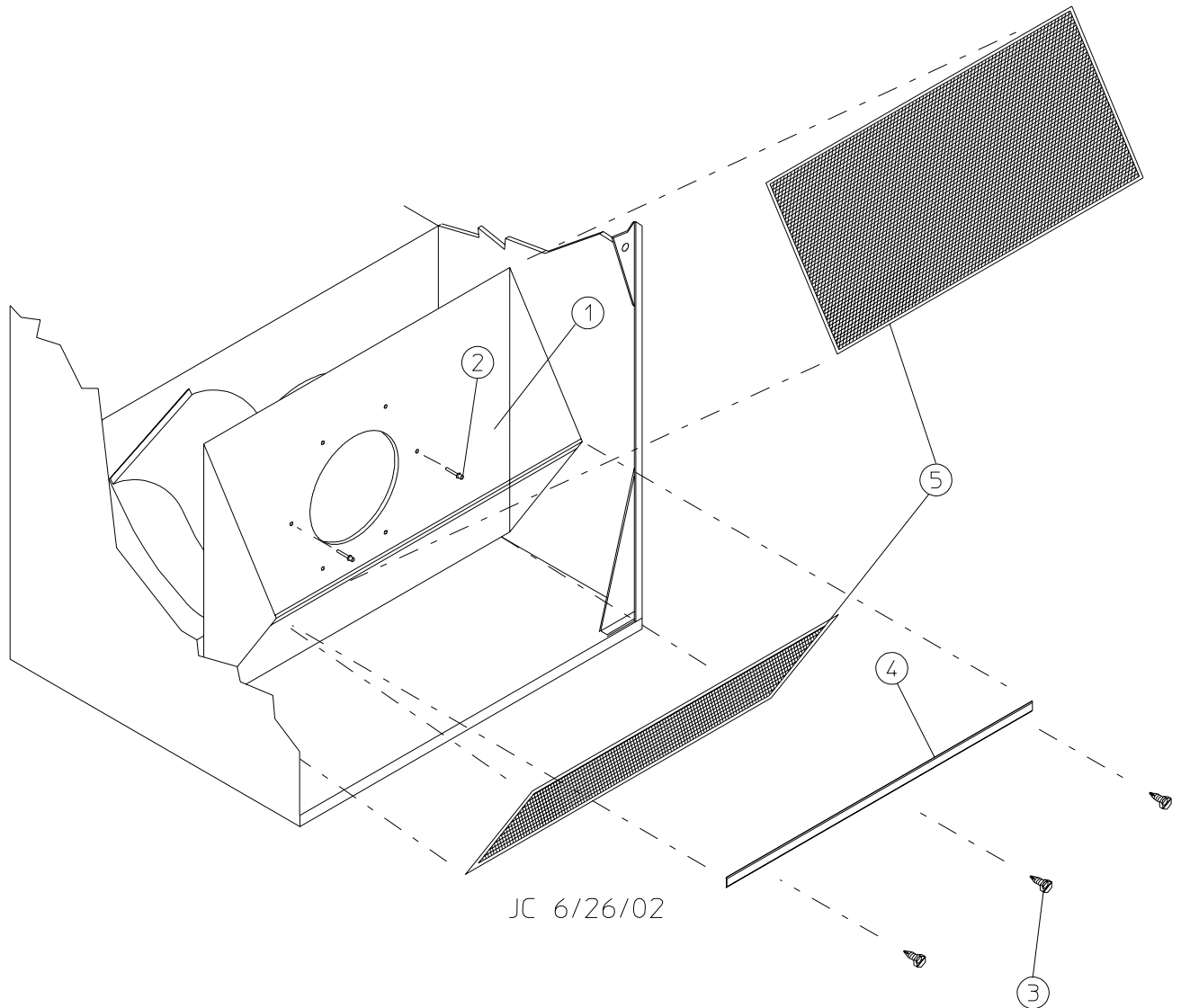
Drop Lint Door Assembly



ST 12/11/01

MAN6030

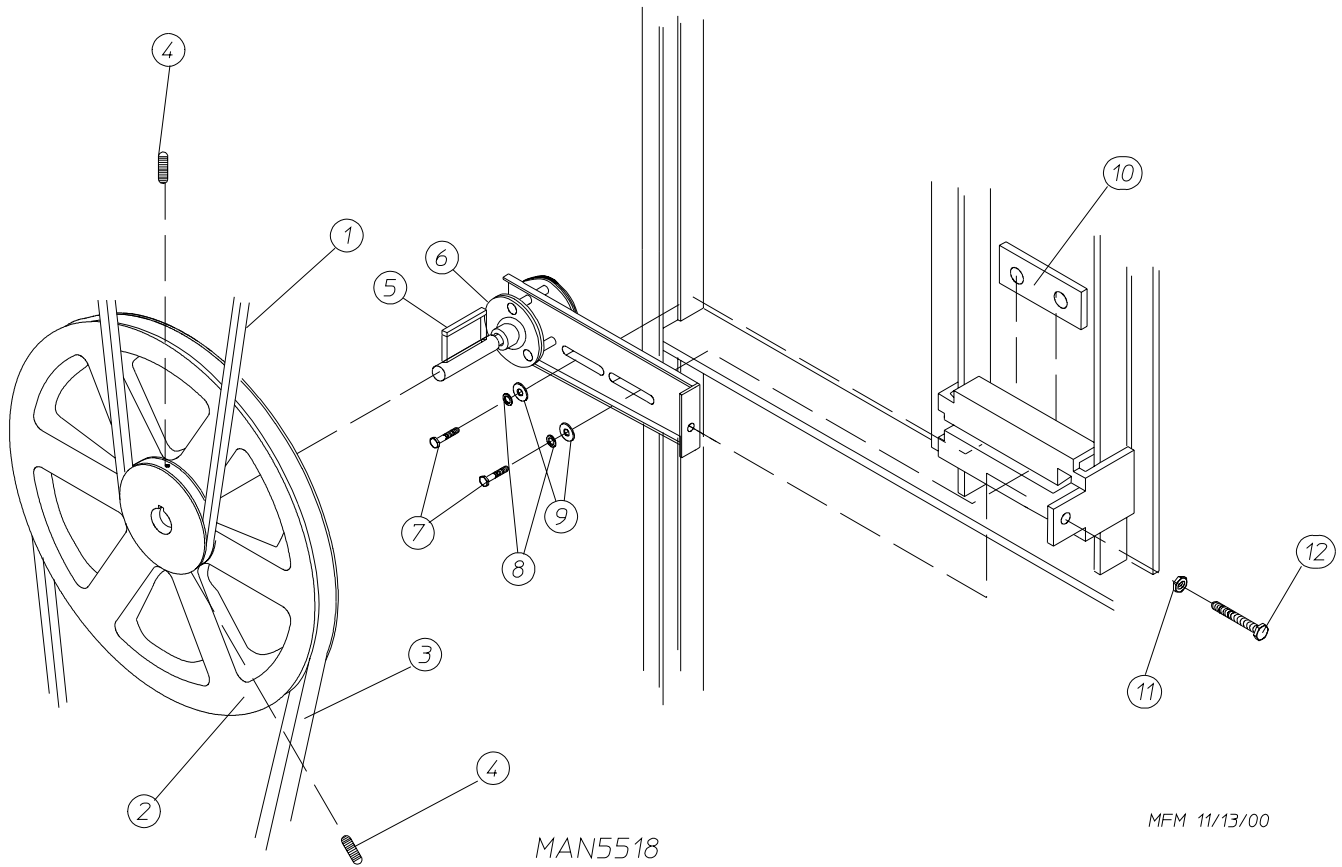
<u>Illus. No.</u>	<u>Part No.</u>	<u>Qty.</u>	<u>Description</u>
1	802277	1	Drop Lint Door (includes illus. nos. 1 through 3)
2	117604	5	Noise Suppression Tape (sold by the foot)
3	170226	1	Slide Latch
-	802265		Locking Drop Lint Door (optional coin) ... Not Illustrated
-	160015	1	High Security MK-100 Lock Assembly with Key ... Not Illustrated
-	160104	1	MK-100 Key ONLY ... Not Illustrated



MAN6192

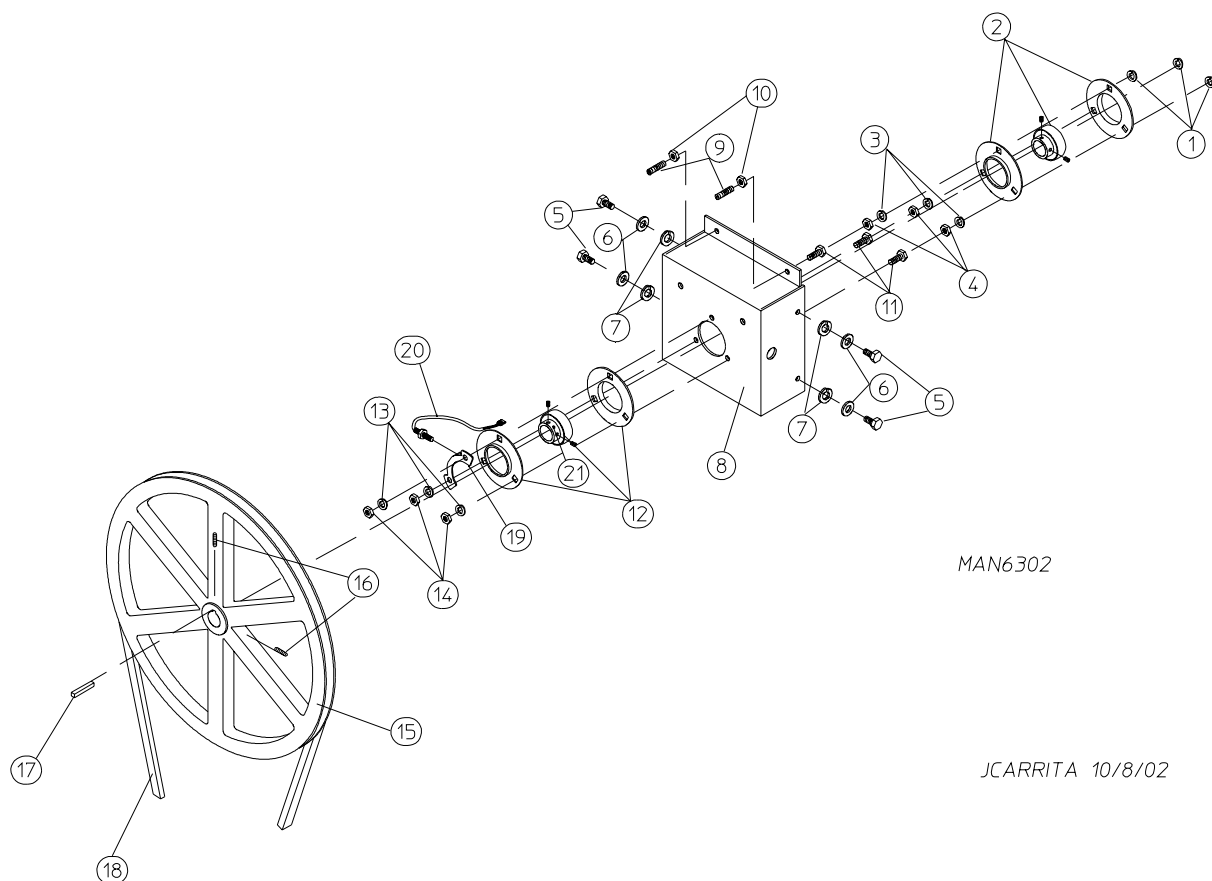
<u>Illus. No.</u>	<u>Part No.</u>	<u>Qty.</u>	<u>Description</u>
1	801070	1	Lint Trap Assembly Complete for 60 Hz Models ONLY (includes illus. nos. 1 and 3 through 5)
	800401	1	Lint Trap Assembly Complete for 50 Hz Models ONLY (includes illus. nos. 1 and 3 through 5)
	801069	1	Lint Trap ONLY (for 60 Hz models Only)
	800443	1	Lint Trap ONLY (for 50 Hz models Only)
2	154200	6	5/32" Pop Rivet
3	150300	3	#10-16 x 1/2" Hex Washer TEK Screw
4	304100	1	Lint Screen Holder
5	800500	2	Lint Screen Assembly

Idler Bearing Assembly



<u>Illus. No.</u>	<u>Part No.</u>	<u>Qty.</u>	<u>Description</u>
1	100107	1	5L-670 V-Belt (tumbler to idler) (for non-reversing models Only)
	100108	1	5L-680 V-Belt (tumbler to idler) (for reversing models Only)
2	101129	1	9" x 2-1/2" Compound Pulley
3	100103	1	4L-510 V-Belt (for non-reversing models Only)
	100112	1	4L-610 V-Belt (for reversing models Only)
4	154301	2	5/16-18 x 1" Allen Setscrew
5	100705	1	3/16" x 3/16" x 1-3/8" Key
6	882576	1	Idler Bearing Assembly Complete (includes illus. nos. 5 through 12)
7	150617	2	3/8-16 x 1" Hex Head Machine Bolt
8	153005	2	3/8" Lock Washer
9	153004	2	3/8" Flat Washer
10	801009	1	Idler Square Washer
11	152004	1	5/16-18 Hex Nut
12	150509	1	5/16-18 x 3" Hex Head Machine Bolt

Tumbler Bearing Assembly



MAN6302

JCARRITA 10/8/02

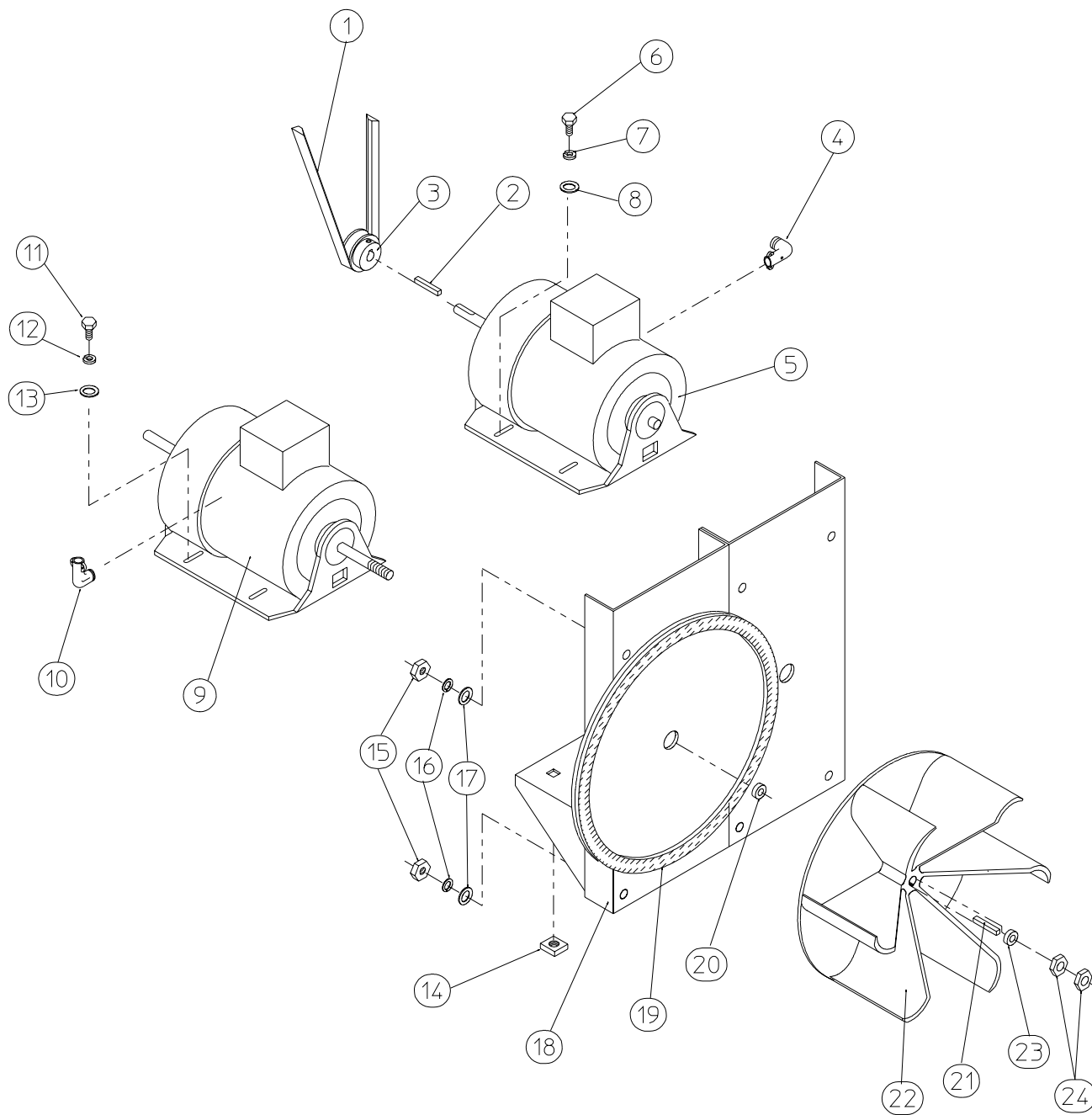
<u>Illus. No.</u>	<u>Part No.</u>	<u>Qty.</u>	<u>Description</u>
1	153002	3	5/16" Lock Washer
2	880213	1	1-1/4" Flange Bearing with Nylock Setscrew
3	153002	3	5/16" Lock Washer
4	152004	3	5/16-18 Hex Nut
5	150501	4	5/16-18 x 3/4" Hex Head Machine Bolt
6	153002	4	5/16" Lock Washer
7	153004	4	3/8" Flat Washer
8	883609	1	1" Bearing Box Assembly Complete for Phase 7 Models ONLY (includes illus. nos. 8 through 14 and 19 through 21)
	801100	1	1" Bearing Box Assembly Complete for Dual Timer Models ONLY (includes illus. nos. 8 through 14)
	801105	1	Bearing Box ONLY
9	150610	2	5/16-18 x 1-1/2" Allen Setscrew
10	152004	2	5/16-18 Hex Nut
11	150501	3	5/16-18 x 3/4" Hex Head Machine Bolt
12	880201	1	1" Flange Bearing with Nylock Setscrew
13	153002	3	5/16" Lock Washer
14	152004	3	5/16-18 Hex Nut
15	101100	1	18" Pulley ONLY
16	154301	2	5/16-18 x 5/16" Setscrew
17	100713	1	1/4" x 1/4" x 7/8" Key
18	100107	1	5L-670 V-Belt (tumbler to idler) for Non-Reversing Models ONLY
	100108	1	5L-680 V-Belt (tumbler to idler) for Reversing Models ONLY
19	319004	1	Rotational Sensor Bracket (for phase 7 models Only)
20	883386	1	Rotational Sensor Assembly (for phase 7 models Only)
21	102120	1	Rotational Sensor Magnet (for phase 7 models Only)

Non-Reversing Motor Mount Assembly

<u>Illus. No.</u>	<u>Part No.</u>	<u>Qty.</u>	<u>Description</u>
1	100103	1	4L-510 V-Belt (motor to idler)
2	100701	1	3/16" x 3/16" x 1" Key
3	101104	1	1/2" x 2" Motor Pulley (for use on 1Ø – 60 Hz motors Only)
	101132	1	5/8" x 2" Motor Pulley (for use on 3Ø – 60 Hz motors Only)
	101133	1	5/8" x 2-1/4" Motor Pulley (for use on all 50 Hz 3Ø and 1Ø 50 Hz models mfd. prior to August 22, 2002)
	101131	1	1/2" x 2-1/4" Motor Pulley (for use on 1Ø 50 Hz models mfd. as of August 22, 2002)
4	150501	4	5/16-18 x 3/4" Hex Head Machine Bolt
5	153002	4	5/16" Lock Washer
6	153001	4	5/16" Flat Washer
7	181049	1	1/2 HP 100-230v 1Ø 50/60 Hz Plug-Type Motor
	883572	1	1/2 HP 240v 1Ø 50 Hz Plug-Type Motor (for 50 Hz models mfd. prior to August 22, 2002)
8	122701	8	Socket Terminal
	122801	1	Pin / Socket Extraction Tool ... Not Illustrated
9	137030	1	8-Pin Housing Connector
10	152004	4	5/16-18 Hex Nut
11	153002	4	5/16" Lock Washer
12	153001	4	5/16" Flat Washer
13	117604	4	Noise Suppression Tape (sold by the foot)
14	154000	4	5/16-18 Nut
15	850017	1	1/2 HP Motor Mount ONLY (56Z frame) (includes illus. nos. 13 and 15)
	817075	1	1/2 HP 115-230v 1Ø 60 Hz Motor Mount Assembly Complete with Plug Motor (includes illus. nos. 2 through 7 and 13 through 20)
	817076	1	1/2 HP 240v 1Ø 50 Hz Motor Mount Assembly Complete with Plug Motor (includes illus. nos. 2 through 7 and 13 through 20)
	817080*	1	1/2 HP 208/230/380/460v 3Ø 60 Hz Totally Enclosed, Fan-Cooled Motor Mount Assembly Complete (includes illus. nos. 2 through 6 and 13 through 22)
	883271*	1	1/2 HP 208/230/380/460v 3Ø 50 Hz Totally Enclosed, Fan-Cooled Motor Mount Assembly Complete (includes illus. nos. 2 through 6 and 13 through 22)
16	153050	2	1/2" Flat Washer
17	100604	1	12-1/2" Impellor with 1/2" Bore
18	100702	1	1/8" x 1/8" x 1-1/2" Key
19	153050	2	1/2" Flat Washer
20	152006	2	1/2-20 Left Hand Jam Nut
21	120200	1	3/8" 90° Connector
22*	100007	1	1/2 HP 208/230/380/460v 3Ø 50/60 Hz Totally Enclosed, Fan-Cooled Motor (56Z frame)

* Specify voltage when ordering.

Reversing Motor Mount Assembly



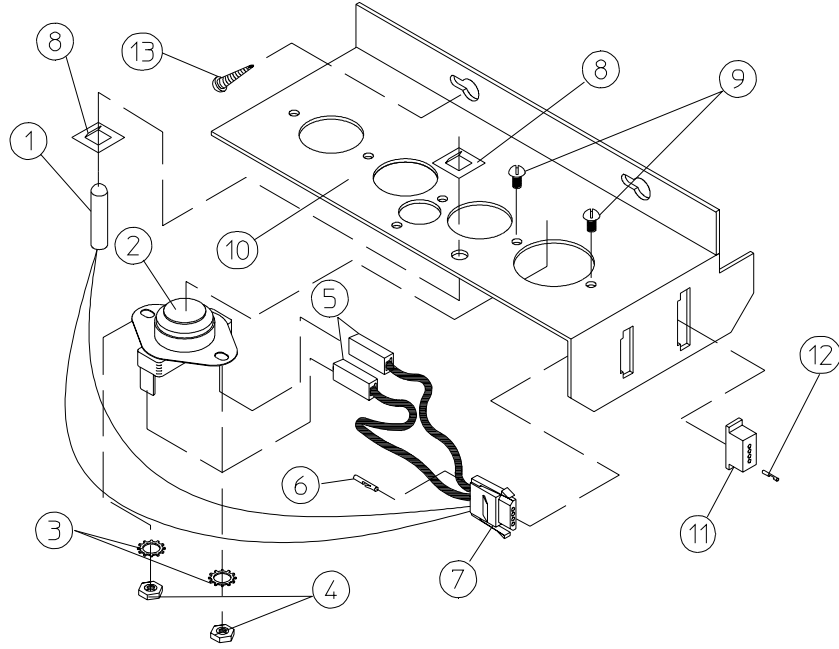
MAN1970

Reversing Motor Mount Assembly

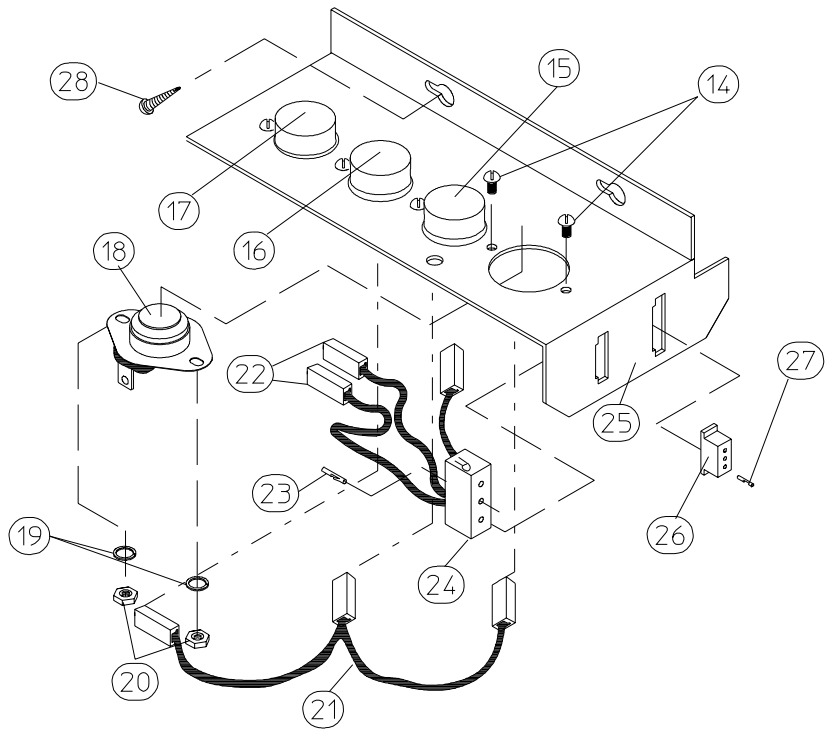
<u>Illus. No.</u>	<u>Part No.</u>	<u>Qty.</u>	<u>Description</u>
1	100112	1	4L-610 V-Belt (motor to idler)
2	100701	1	3/16" x 3/16" x 1" Key
3	101132	1	5/8" x 2" Motor Pulley (for 60 Hz models Only)
	101133	1	5/8" x 2-1/4" Motor Pulley (for 50 Hz models Only)
4	120200	1	3/8" x 90° Connector
5	181003*	1	1/2 HP 208/230/380/460v 3ø 50/60 Hz Motor (56Z frame)
6	150501	4	5/16-18 x 3/4" Hex Head Machine Bolt
7	153002	4	5/16" Lock Washer
8	153001	4	5/16" Flat Washer
9	100007*	1	1/2 HP 208/230/380/460v 3ø 50/60 Hz Totally Enclosed, Fan-Cooled Motor (56Z frame)
10	120200	1	3/8" x 90° Connector
11	150501	4	5/16-18 x 3/4" Hex Head Machine Bolt
12	153002	4	5/16" Lock Washer
13	153001	4	5/16" Flat Washer
14	154000	8	5/16" Nut
15	152004	4	5/16" Hex Nut
16	153002	4	5/16" Lock Washer
17	153001	4	5/16" Flat Washer
18	850070	1	Motor Mount ONLY (56Z frame) (includes illus. nos. 18 and 19)
	803802*	1	Totally Enclosed, Fan-Cooled Motor Mount Assembly Complete (for 60 Hz models Only) (includes illus. nos. 2 through 14 and 18 through 24)
	803803*	1	Totally Enclosed, Fan-Cooled Motor Mount Assembly Complete (for 50 Hz models Only) (includes illus. nos. 2 through 14 and 18 through 24)
19	117604	4	Noise Suppression Tape (sold by the foot)
20	153050	2	1/2" Flat Washer
21	100702	1	1/8" x 1/8" x 1-1/2" Key
22	100604	1	12-1/2" Impellor with 1/2" Bore
23	153050	2	1/2" Flat Washer
24	152006	2	1/2-20 Left Hand Jam Nut

* Specify voltage when ordering.

Sensor Bracket Assemblies



MICROPROCESSOR SENSOR BRACKET ASSEMBLY

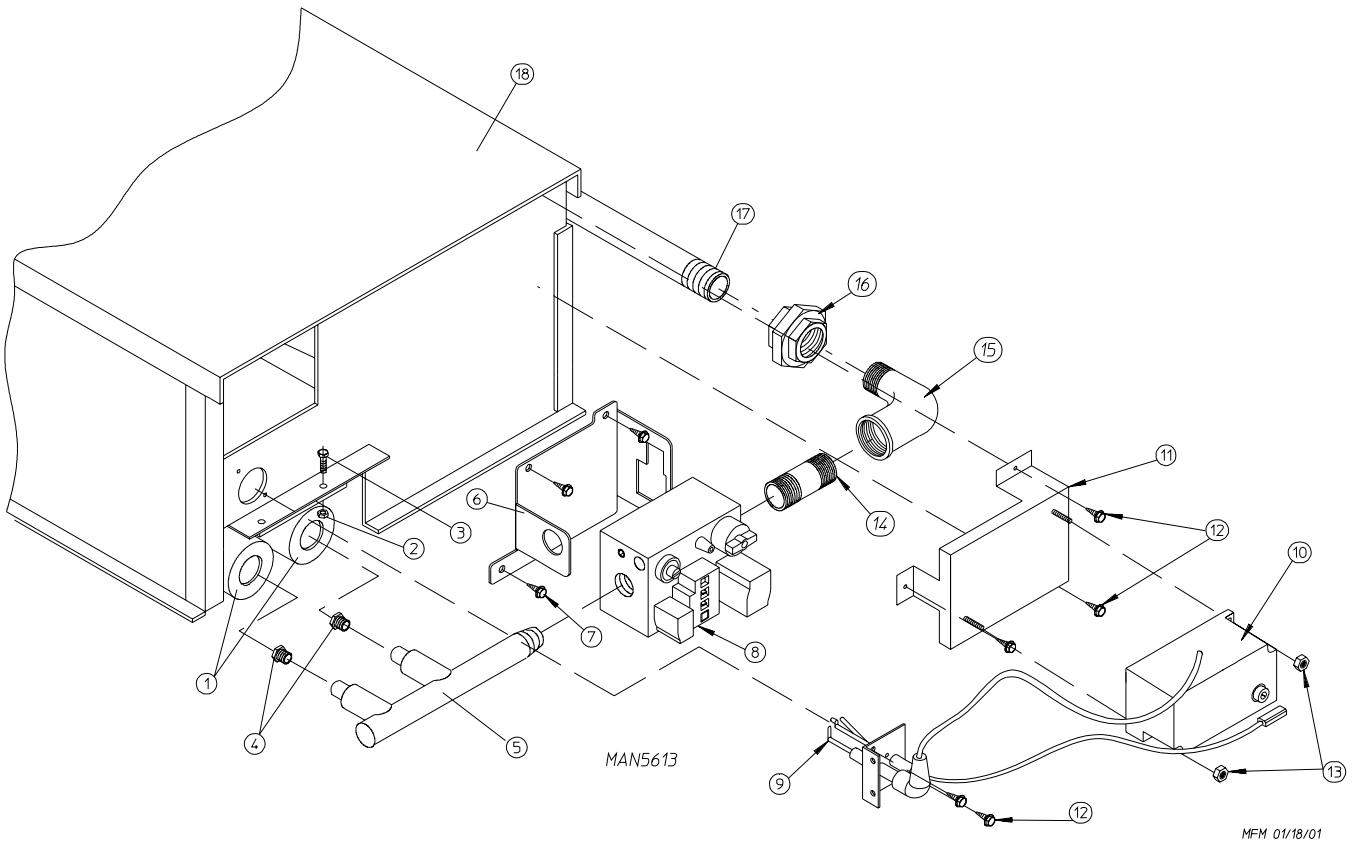


NON-COMPUTER SENSOR BRACKET ASSEMBLY

MAN0238

<u>Illus. No.</u>	<u>Part No.</u>	<u>Qty.</u>	<u>Description</u>
1	880251	1	1/4" Temperature Sensor Probe Assembly (includes illus. nos. 1 and 5 through 8)
2	130301	1	225° Hi-Limit Thermostat
3	153010	2	#6 Star Washer
4	152000	2	#6-32 Hex Nut
5	121028	2	Insulated Terminal
6	122701	4	Socket Terminal
7	122605	1	4-Pin Connector (female)
8	154007	2	1/4" Push On Fastener
9	150005	2	#6-32 x 1/4" Phillips Round Head Machine Screw
10	801424	1	Microprocessor Sensor Bracket Assembly Complete (includes illus. nos. 1 through 10)
	305007	1	Universal Sensor Bracket ONLY
11	122604	1	4-Pin Connector (male)
12	122700	4	Pin Terminal
13	150301	2	#8-18 x 7/16" Phillips Pan Head TEK Screw
14	150005	5	#6-32 x 1/4" Phillips Round Head Machine Screw
15	130111	1	130° Thermostat
16	130100	1	150° Thermostat
17	130103	1	225° Hi-Limit Thermostat
18	130101	1	180° Thermostat
19	153010	5	#6 Star Washer
20	152000	5	#6-32 Hex Nut
21	840065	1	Sensor Jumper
22	121028	8	Insulated Terminal
23	122701	4	Socket Terminal
24	122605	1	4-Pin Connector (female)
	818007	1	Sensor Bracket Harness Assembly (includes illus. nos. 21 through 24)
25	818321	1	Noncomputer Sensor Bracket Assembly Complete (includes illus. nos. 14 through 25)
	305007	1	Universal Sensor Bracket ONLY
26	122604	1	4-Pin Connector (male)
27	122700	4	Pin Terminal
	122801	1	Pin / Socket Extraction Tool ... Not Illustrated
28	150301	2	#8-18 x 7/16" Phillips Pan Head TEK Screw

Gas Burner Assembly



<u>Illus. No.</u>	<u>Part No.</u>	<u>Qty.</u>	<u>Description</u>
1	141104	2	Small Tube Burner
2	151001	2	#8-32 Pal Nut
3	150108	2	#8-32 x 1/2" Phillips Pan Head Machine Screw
4	140818*	2	#31 Orifice (natural gas)
	140802*	2	#50 Orifice (liquid propane gas)
5	141230	1	1/2" Manifold (2-port)
6	318714	1	1-Piece Gas Valve Bracket
7	150309	3	#10-16 x 1/2" Hex Head TEK Crimptite Screw
8	128927	1	Natural Gas Valve
	880960	1	Liquid Propane Gas Valve
9	884265	1	Phase 7 Ignitor with Flame Probe
	884278		High Voltage Cable (for models mfd. as of May 19, 2005)
	128919		High Voltage Cable (for models mfd. prior to May 19, 2005)
10	887133	1	Fenwal Direct Spark Ignition Module (3 tries) (for models mfd. as of May 19, 2005)
	883849		Fenwal Direct Spark Ignition Conversion Kit (for models mfd. prior to May 19, 2005)
11	817027	1	Direct Spark Ignition Module Mounting Bracket
12	150300	5	#10-16 x 1/2" Hex Washer TEK Screw
13	152013	2	#6-32 Hex Nut
14	142707	1	1/2" x 1-1/2" Long Black Nipple
15	142506	1	1/2" Street Elbow
16	142600	1	1/2" Black Union
17	142800	1	1/2" x 18" Pipe
18	817058**	1	Direct Spark Ignition Burner Box Assembly – Natural Gas (includes illus. nos. 1 through 3 and 5 through 18)
	817059**	1	Direct Spark Ignition Burner Box Assembly – Liquid Propane Gas (includes illus. nos. 1 through 3 and 5 through 18)
	817088	1	Direct Spark Ignition Burner Box ONLY
	882267*	1	AD-25V Liquid Propane Conversion Kit (includes orifices)
	880604***	1	Steam to Gas Interface Assembly

* Consult factory for elevations over 2,000 feet.

** Burner orifices are not included and must be ordered separately.

***Needed when converting steam heat to gas heat.

CE Gas Burner Assembly

For Models Mfd. as of August 27, 2002

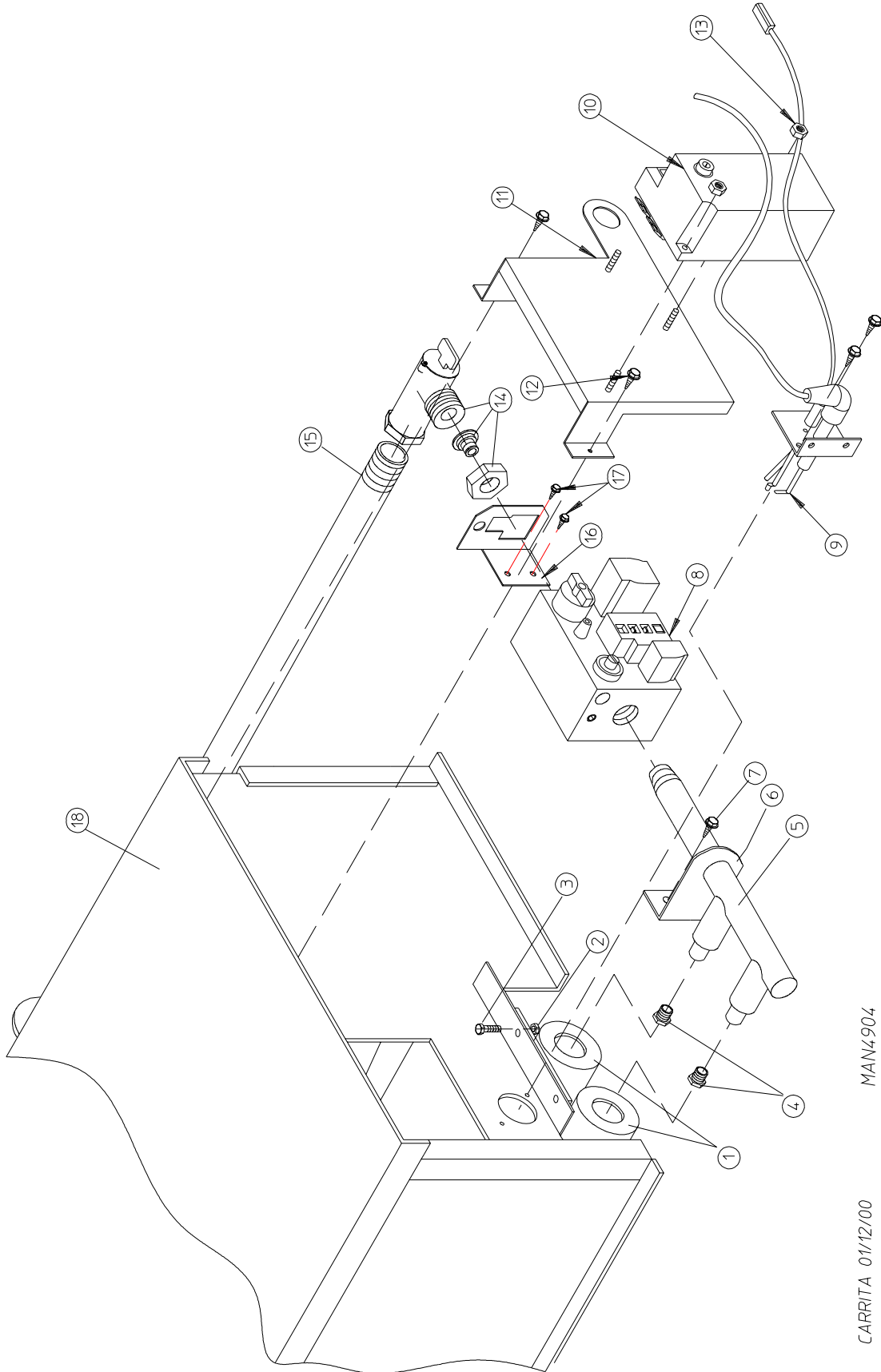
<u>Illus. No.</u>	<u>Part No.</u>	<u>Qty.</u>	<u>Description</u>
1	817088	1	Direct Spark Ignition Burner Box ONLY
	816998**	1	Natural Gas Burner Assembly (includes illus. nos. 1 through 8 and 10 through 31)
	883762**	1	Liquid Propane Gas Burner Assembly (includes illus. nos. 1 through 8 and 10 through 31)
	883297*	1	AD-25V Liquid Propane Conversion Kit
2	884265	1	Phase 7 Ignitor with Flame Probe
	884278		High Voltage Cable (for models mfd. as of May 19, 2005)
	128919		High Voltage Cable (for models mfd. prior to May 19, 2005)
3	152013	2	#6-32 Hex Nut
4	150309	2	#10-16 x 1/2" Hex Head TEK Crimptite Screw
5	141104	2	Small Tube Burner
6	150108	2	#8-32 x 1/2" Pan Head Machine Screw
7	887133	1	Fenwal Direct Spark Ignition (3 tries) (for models mfd. as of May 19, 2005)
	883849		Fenwal Direct Spark Ignition Conversion Kit (for models mfd. prior to May 19, 2005)
8	151001	2	#8-32 Pal Nut
9	140818*	2	#31 Burner Orifice (natural gas)
	140801*	2	#51 Burner Orifice (liquid propane gas)
10	141230	1	1/2" Manifold (2-port)
11	318700	1	Pipe Bracket (bent)
12	150300	2	#10-16 x 1/2" Hex Washer TEK Screw
13	128933	1	1/2" 24 VAC CE Gas Valve (natural gas)
	883255	1	1/2" 24 VAC CE Gas Valve (liquid propane gas)
14	141317	1	1/2" Bronze Union Elbow
15	142800	1	1/2" x 18" Pipe
16	318700	2	Pipe Bracket (bent)
17	150309	4	#10-16 x 1/2" Hex Head TEK Crimptite Screw
18	817027	1	Direct Spark Ignition Module Mounting Bracket
19	142935	1	1/2" B.S.P.T. x 1/2" N.P.T. Transition Coupling
20	150005	2	#6-32 x 1/4" Round Head Machine Screw
21	154004	1	Twin Speed Nut
22	150300	7	#10-16 x 1/2" Hex Washer TEK Screw
23	802799	1	Sail Switch Top and Switch Bracket
24	150303	2	#4 x 3/4" Pan Head Machine Screw
25	122200	1	SPST Sail Switch (for OPL micro models Only)
	122404	1	SPDT Sail Switch (for dual timer models Only)
26	105500	1	Sail Switch Actuator Rod
27	319202	1	Sail Switch Damper (flat)
28	154002	1	1/8" Push On Fastener
29	130201	1	330° Hi-Limit Thermostat
30	319704	1	Hi-Limit Mounting Bracket
31	152013	2	#6-32 Hex Nut
32	142800	1	1/2" x 18" Pipe

* Consult factory for elevations over 2,000 feet.

** Burner orifices are not included and must be ordered separately.

CE Gas Burner Assembly

For Models Mfd. prior to August 27, 2002



MAN4904

CARRITA 01/12/00

CE Gas Burner Assembly

For Models Mfd. prior to August 27, 2002

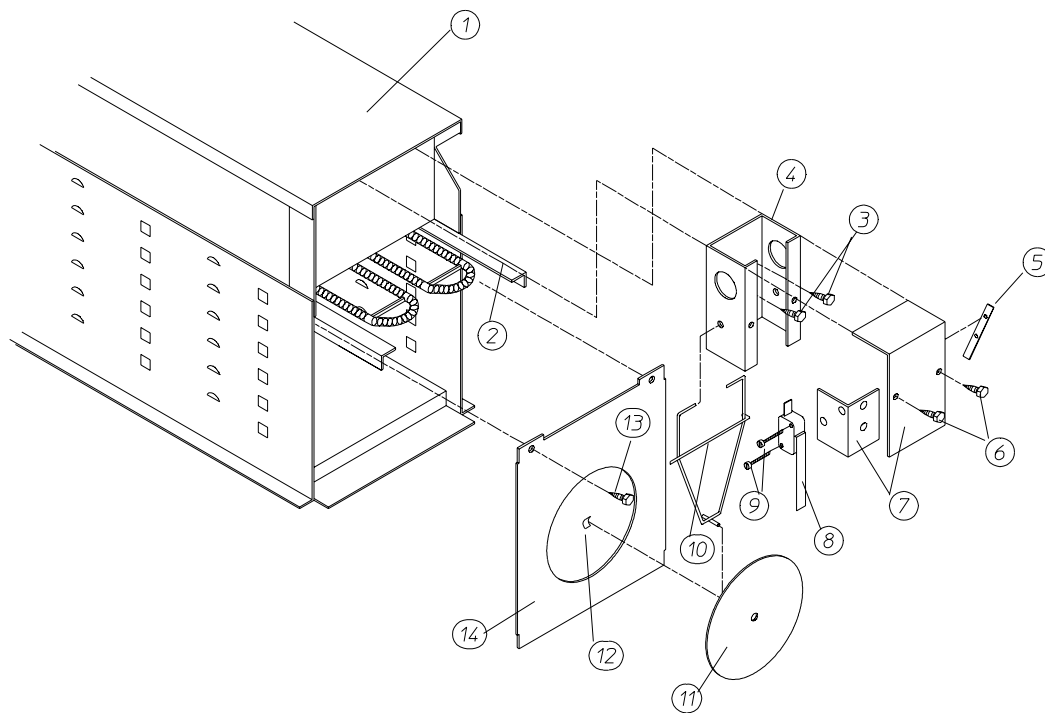
<u>Illus. No.</u>	<u>Part No.</u>	<u>Qty.</u>	<u>Description</u>
1	141104	2	Small Tube Burner
2	151001	2	#8-32 Pal Nut
3	150108	2	#8-32 x 1/2" Pan Head Machine Screw
4*	140818	2	#31 Burner Orifice (natural gas)
	140801	2	#51 Burner Orifice (liquid propane gas)
5	141230	1	1/2" Manifold (2-port)
6	318700	2	Pipe Bracket (bent)
7	150300	2	#10-16 x 1/2" Hex Washer TEK Screw
8	128933	1	CE Natural Gas Valve
	883255	1	CE Liquid Propane Gas Valve
9	884265	1	Phase 7 Ignitor with Flame Probe
	884278		High Voltage Cable (for models mfd. as of May 19, 2005)
	128919		High Voltage Cable (for models mfd. prior to May 19, 2005)
	882537	1	Flame-Probe Wire
10	887133	1	Fenwal Direct Spark Ignition Module (3 tries) (for models mfd. as of May 19, 2005)
	883849		Fenwal Direct Spark Ignition Conversion Kit (for models mfd. prior to May 19, 2005)
11	817027	1	Direct Spark Ignition Module Mounting Bracket Assembly
12	150309	3	#10-16 x 1/2" Hex Head TEK Crimptite Screw
13	152013	2	#6-32 Hex Nut
14	141313	1	90° x 1/2" x 1" Gas Shut Off Assembly
15	142800	1	1/2" x 18" Pipe
16	318712	1	Gas Valve Bracket
17	150309	2	#10-16 x 1/2" Hex Head TEK Crimptite Screw
18	816998**	1	Direct Spark Ignition Burner Box Assembly – Natural Gas (includes illus. nos. 1 through 3 and 5 through 18)
	883762**	1	Direct Spark Ignition Burner Box Assembly – Liquid Propane Gas (includes illus. nos. 1 through 3 and 5 through 18)
	817088	1	Direct Spark Ignition Burner Box ONLY
	883297*	1	AD-25V Liquid Propane Conversion Kit ... Not Illustrated
***	882604	1	Steam to Gas Interface Assembly

* Consult factory for elevations over 2,000 feet.

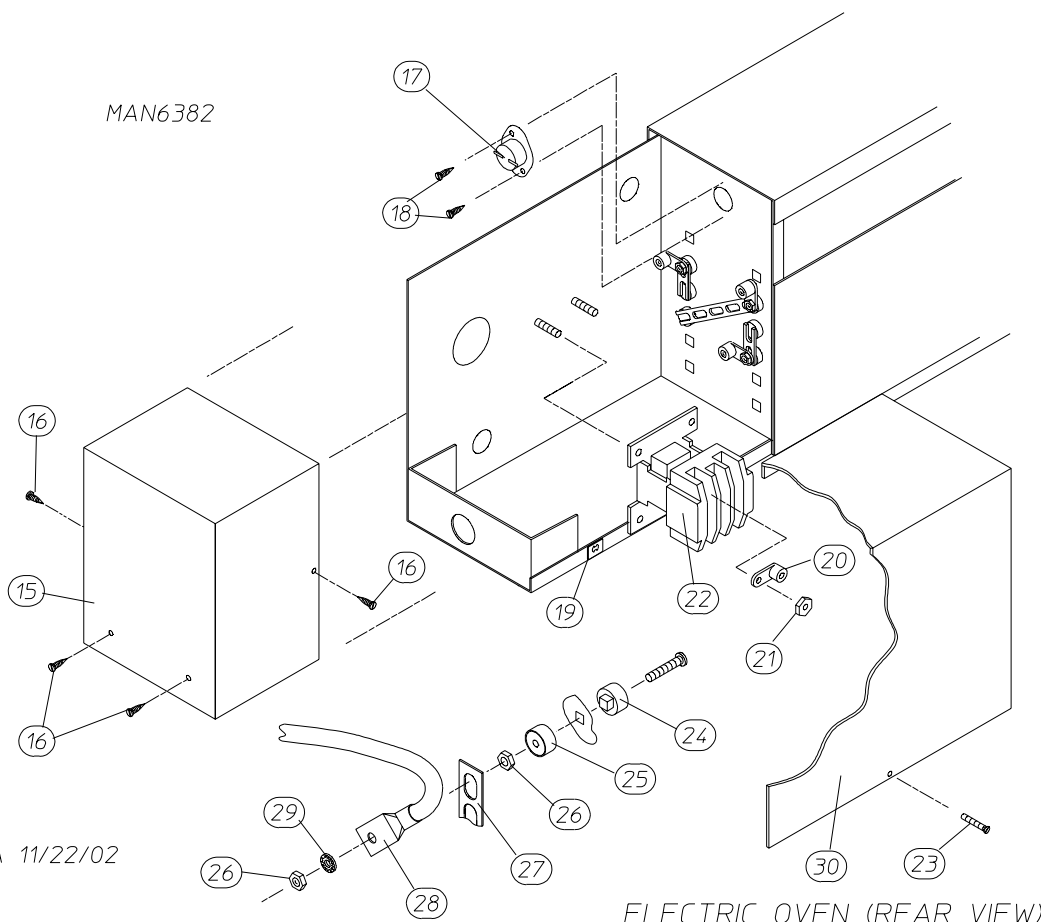
** Burner orifices are not included and must be ordered separately.

***Needed when converting steam heat to gas heat.

Electric Oven Assembly



ELECTRIC OVEN (FRONT VIEW)



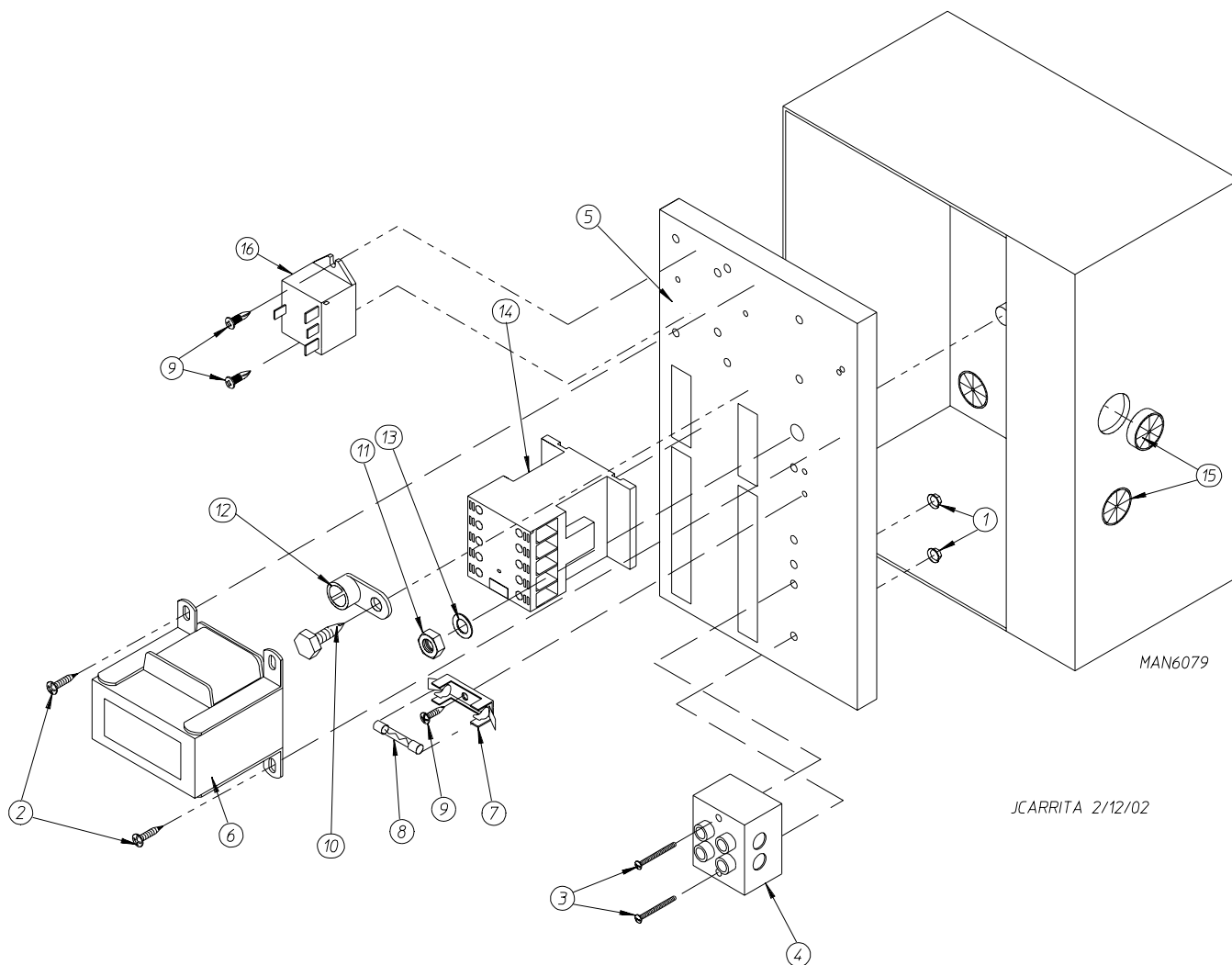
ELECTRIC OVEN (REAR VIEW)

<u>Illus. No.</u>	<u>Part No.</u>	<u>Qty.</u>	<u>Description</u>
1	803003	1	Small Electric Oven Box ONLY
	_____*	1	Electric Oven Assembly Complete
2	_____*	—	Electric Element
3	150300	2	#10-16 x 1/2" Hex Washer TEK Screw
4	802800	1	Sail Switch Box with Bracket and Cover ONLY
	802801	1	Sail Switch Box Assembly Complete (includes illus. nos. 4 through 12)
	802804	1	Sail Switch Box Assembly Complete (for dual timer CE models Only) (includes illus. nos. 4 through 12)
5	154004	1	Twin Speed Nut
6	150309	2	#10-16 x 1/2" Hex Head TEK Crimptite Screw
7	802799	1	Sail Switch Box Cover ONLY
8	122200	1	SPST Sail Switch
	122404	1	SPDT Sail Switch (for dual timer CE models Only)
9	150303	2	#4 x 3/4" Pan Head Machine Screw
10	105500	1	Sail Switch Actuator Rod
11	319202	1	Sail Switch Damper (flat)
12	154002	1	1/8" Push On Fastener
13	150300	2	#10-16 x 1/2" Hex Washer TEK Screw
14	803100	1	Electric Oven Front Cover
15	320611	1	Large Relay Box Cover
16	150301	3	#8-18 x 7/16 Phillips Pan Head TEK Screw
17	130400	1	290° Hi-Limit Thermostat
18	150300	2	#10-16 x 1/2" Hex Washer TEK Screw
19	154001	1	#10-24 Speed Nut
20	121010	1	L-70 Ground Lug
21	152014	3	1/4-20 Free Spin Wash Nut
22	_____*	1	Oven Relay
23	150207	1	#10-24 x 1/2" Phillips Head Machine Screw
24	120081	—	Internal Ceramic Insulator (2 per element)
25	120080	—	External Ceramic Insulator (2 per element)
26	152008	—	#10-32 Hex Nut (4 per element)
27	121011*	—	Bus Bar
28	_____*	—	Oven Wire with Crimp Lug
29	153009	—	#10 Star Washer (2 per element)
30	321300	1	Small Electric Oven Right Side Cover
	882604**	1	Steam to Electric Interface Assembly ... Not Illustrated

* Refer to Electrical Oven Component Application Charts on [page 54](#).

** Needed when converting steam heat to electric heat.

Phase 7 OPL Single-Phase (1Ø) Rear Relay Panel Assembly

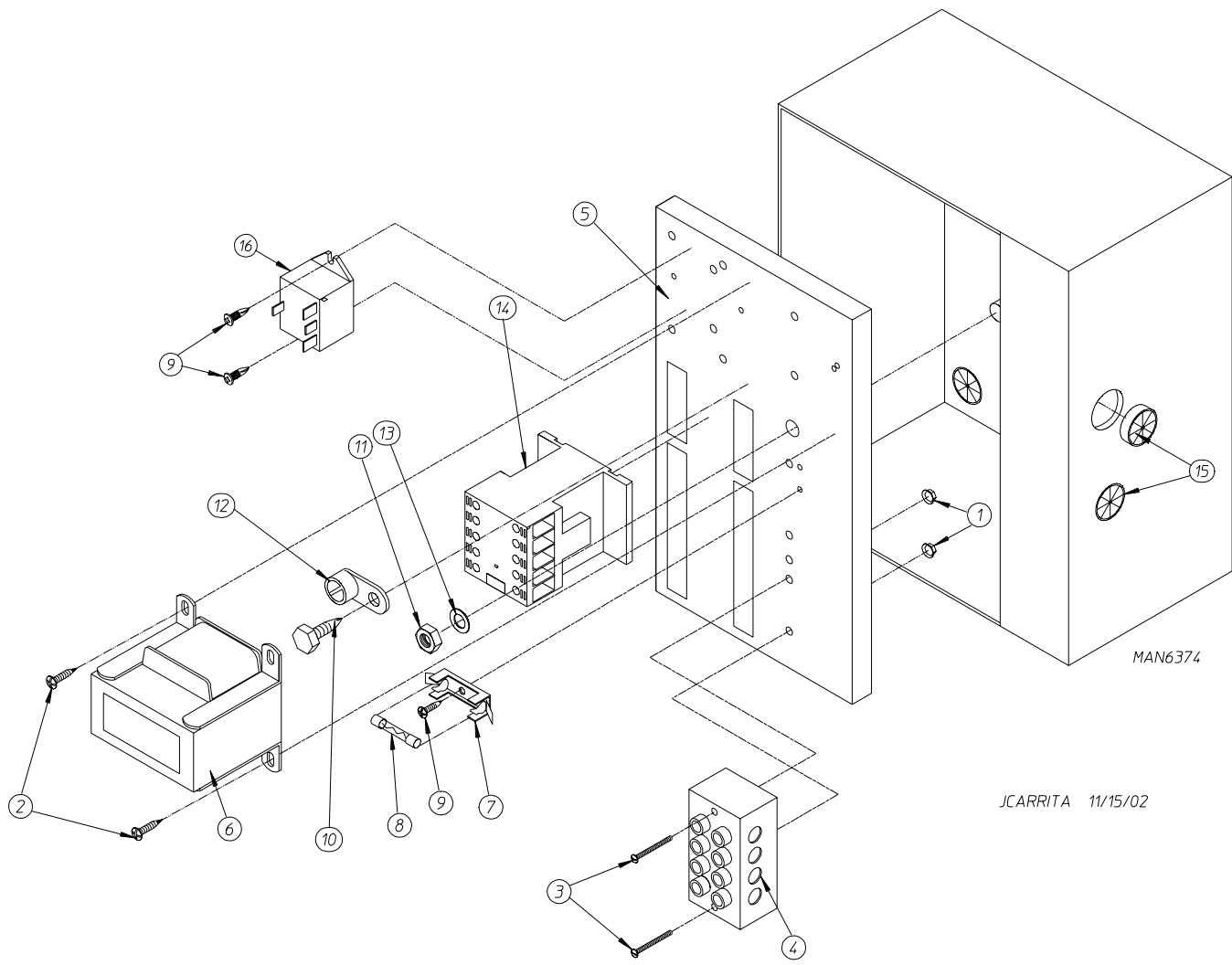


Phase 7 OPL Single-Phase (1 ϕ) Rear Relay Panel Assembly

<u>Illus. No.</u>	<u>Part No.</u>	<u>Qty.</u>	<u>Description</u>
1	151000	2	#6-32 Pal Nut
2	150300	2	#10-16 x 1/2" Hex Washer TEK Screw
3	150008	2	#6-32 x 1-1/4" Phillips Pan Head Machine Screw
4	120716	1	2-Position Terminal Block
5	322812	1	Rear Electric Mounting Plate ONLY
	822796	1	Rear Electric Panel Assembly Complete – 115 Volt (for gas models Only) (includes illus. nos. 1 through 14)
	830153	1	Rear Electric Panel Assembly Complete – 115 Volt (for steam models Only) (includes illus. nos. 1 through 14)
	822798	1	Rear Electric Panel Assembly Complete – 208-240 Volt (for gas models Only) (includes illus. nos. 1 through 14)
	830273	1	Rear Electric Panel Assembly Complete – 208-240 Volt (for steam models Only) (includes illus. nos. 1 through 14)
	830131	1	Rear Electric Panel Assembly Complete – 208-240 Volt (for electric models Only) (includes illus. nos. 1 through 14 and 16)
	830426	1	Rear Electric Panel Assembly Complete – 380-416 Volt (for electric models with 1 ϕ motors Only) (includes illus. nos. 1 through 14 and 16)
6	830151	1	Transformer Assembly – 115 Volt
	822799	1	Transformer Assembly – 208-240 Volt (for gas and steam models Only)
	822792	1	Transformer Assembly – 208-240 Volt (for electric models Only)
	830141	1	Transformer Assembly – 380-416 Volt
7	136008	*	Fuse Holder
8	136057	*	1/2-Amp (Slo-Blo) Fuse
9	150301	4	#8-18 x 7/16" Phillips Pan Head TEK Screw
10	150297	1	#10 x 1/2" Green Hex Washer TEK Screw
11	152004	1	5/16-18 Hex Nut
12	121010	1	L-70 Ground Lug
13	153002	1	5/16" Lock Washer
14	132495	1	3-Pole Contactor
15	121300	3	Open / Closed Bushing
16	131932	1	24V SPST Relay (for electric models Only)

* Quantity is 1 for 115v and 380-416V. Quantity is 2 for 208-240V.

Phase 7 OPL 208-416V 3-Phase (3 ϕ) Rear Relay Panel Assembly



MAN6374

JCARRITA 11/15/02

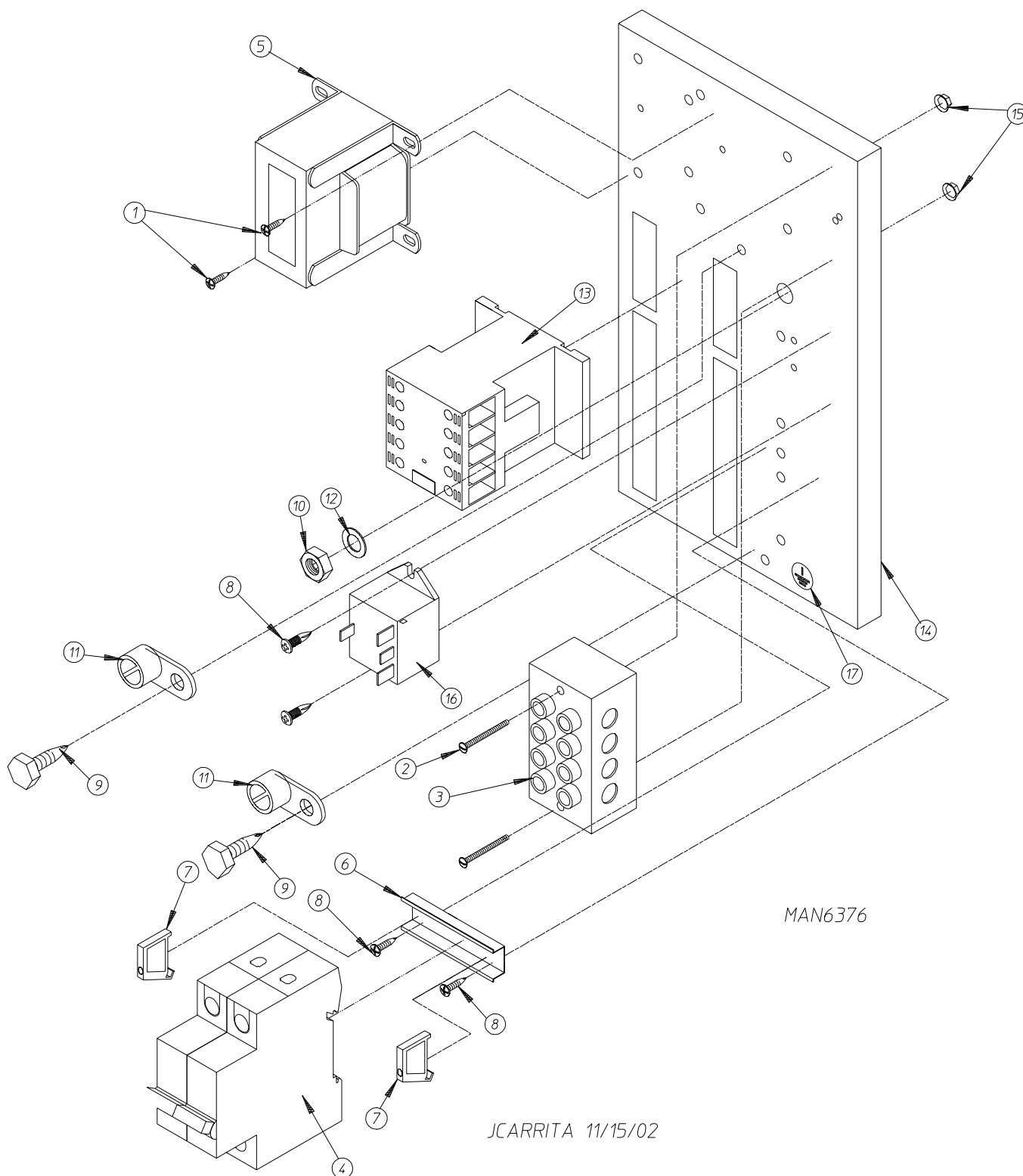
Phase 7 OPL 208-416V 3-Phase (3ø) Rear Relay Panel Assembly

<u>Illus. No.</u>	<u>Part No.</u>	<u>Qty.</u>	<u>Description</u>
1	151000	2	#6-32 Pal Nut
2	150300	2	#10-16 x 1/2" Hex Washer TEK Screw
3	150008	2	#6-32 x 1-1/4" Phillips Pan Head Machine Screw
4	120701	1	4-Position Terminal Block
5	322812	1	Rear Electric Mounting Plate ONLY
	830154	1	Rear Electric Panel Assembly Complete – 208-240 Volt (for gas models Only) (includes illus. nos. 1 through 14)
	830322	1	Rear Electric Panel Assembly Complete – 208-240 Volt (for steam models Only) (includes illus. nos. 1 through 14)
	830157	1	Rear Electric Panel Assembly Complete – 208-240 Volt (for electric models Only) (includes illus. nos. 1 through 14 and 16)
	————*	1	Rear Electric Panel Assembly Complete – 380-416 Volt (for gas models Only) (includes illus. nos. 1 through 14)
	803834	1	Rear Electric Panel Assembly Complete – 380-416 Volt (for steam models Only) (includes illus. nos. 1 through 14)
	830140	1	Rear Electric Panel Assembly Complete – 380-416 Volt (for electric models with 3ø motors Only) (includes illus. nos. 1 through 14 and 16)
6	822799	1	Transformer Assembly – 208-240 Volt (for gas and steam models Only)
	822792	1	Transformer Assembly – 208-240 Volt (for electric models Only)
	822784	1	Transformer Assembly – 380-416 Volt (for gas and steam models Only)
	830141	1	Transformer Assembly – 380-416 Volt (for electric models Only)
7	136008	**	Fuse Holder
8	136057	**	1/2-Amp (Slo-Blo) Fuse
9	150301	4	#8-18 x 7/16" Phillips Pan Head TEK Screw
10	150297	1	#10 x 1/2" Green Hex Washer TEK Screw
11	152004	1	5/16-18 Hex Nut
12	121010	1	L-70 Ground Lug
13	153002	1	5/16" Lock Washer
14	132495	1	3-Pole Contactor
15	121300	3	Open / Closed Bushing
16	131932	1	24V SPST Relay (for electric models Only)

* Not available at time of printing.

** Quantity is 2 for 208-240V and 1 for 380-416V.

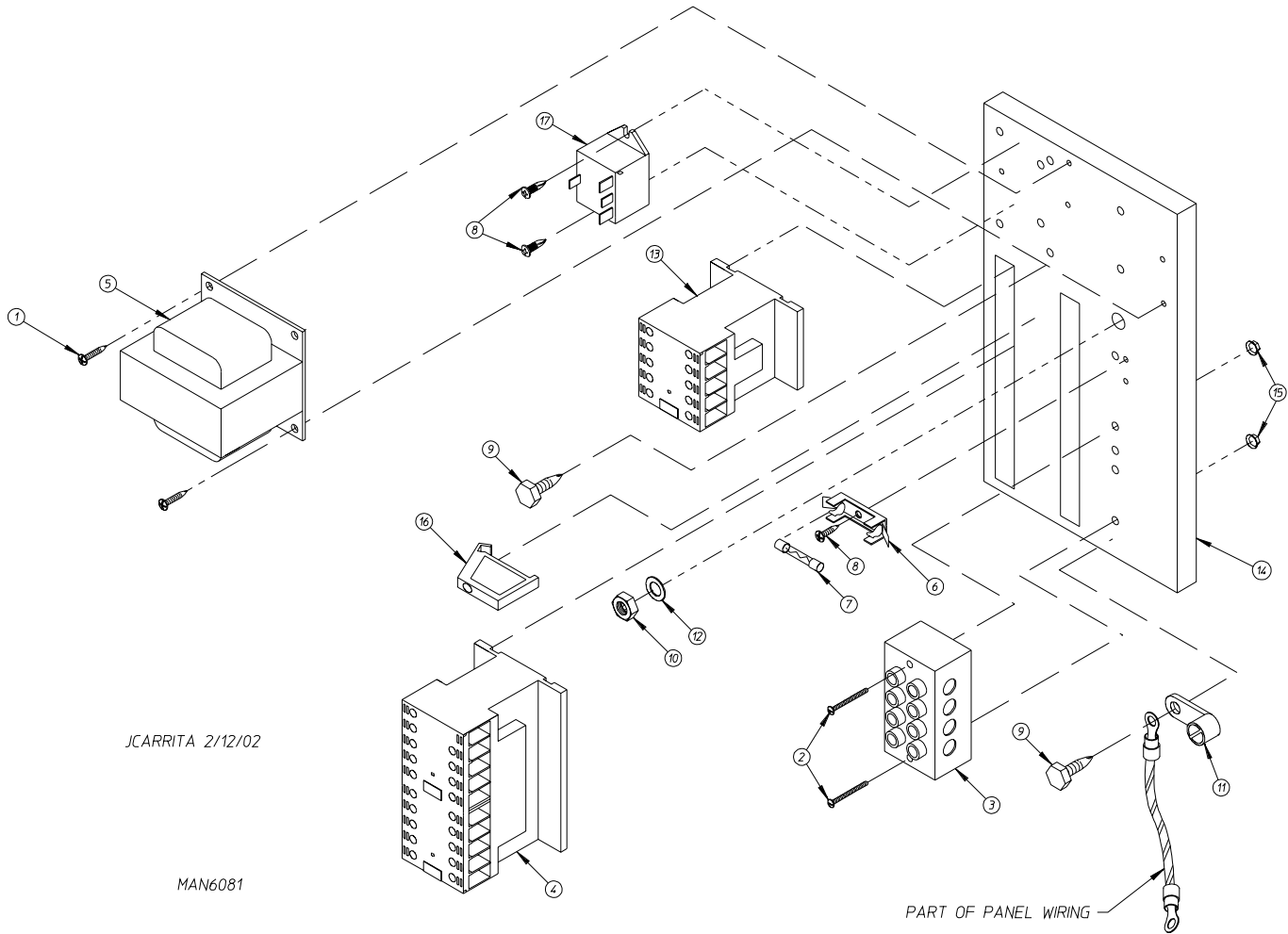
Phase 7 OPL 460-480V Rear Relay Panel Assembly



Phase 7 OPL 460-480V Rear Relay Panel Assembly

<u>Illus. No.</u>	<u>Part No.</u>	<u>Qty.</u>	<u>Description</u>
1	150300	2	#10-16 x 1/2" Hex Washer TEK Screw
2	150008	2	#6-32 x 1-1/4" Phillips Pan Head Machine Screw
3	120701	1	4-Position Terminal Block
4	135501	1	2-Pole 1-Amp Circuit Breaker
5	824221	1	Transformer Assembly – 460-480 Volt
6	120768	2	35 x 15mm Din Rail
7	120765	2	Standard End Bracket
8	150301	4	#8-18 x 7/16" Phillips Pan Head TEK Screw
9	150297	2	#10 x 1/2" Green Hex Washer TEK Screw
10	152004	1	5/16-18 Hex Nut
11	121010	2	L-70 Ground Lug
12	153002	1	5/16" Lock Washer
13	132495	1	3-Pole Contactor
14	322812	1	Rear Electric Mounting Plate ONLY
	830263	1	Rear Electric Panel Assembly Complete – 460-480 Volt (for gas models Only) (includes illus. nos. 1 through 15 and 17)
	830137	1	Rear Electric Panel Assembly Complete – 460-480 Volt (for steam models Only) (includes illus. nos. 1 through 15 and 17)
	830199	1	Rear Electric Panel Assembly Complete – 460-480 Volt (for electric models Only) (includes illus. nos. 1 through 17)
15	151000	2	#6-32 Pal Nut
16	131932	1	24V SPST Relay (for electric models Only)
17	112075	1	Ground Label

Phase 7 OPL 208-416V Reversing Rear Relay Panel Assembly

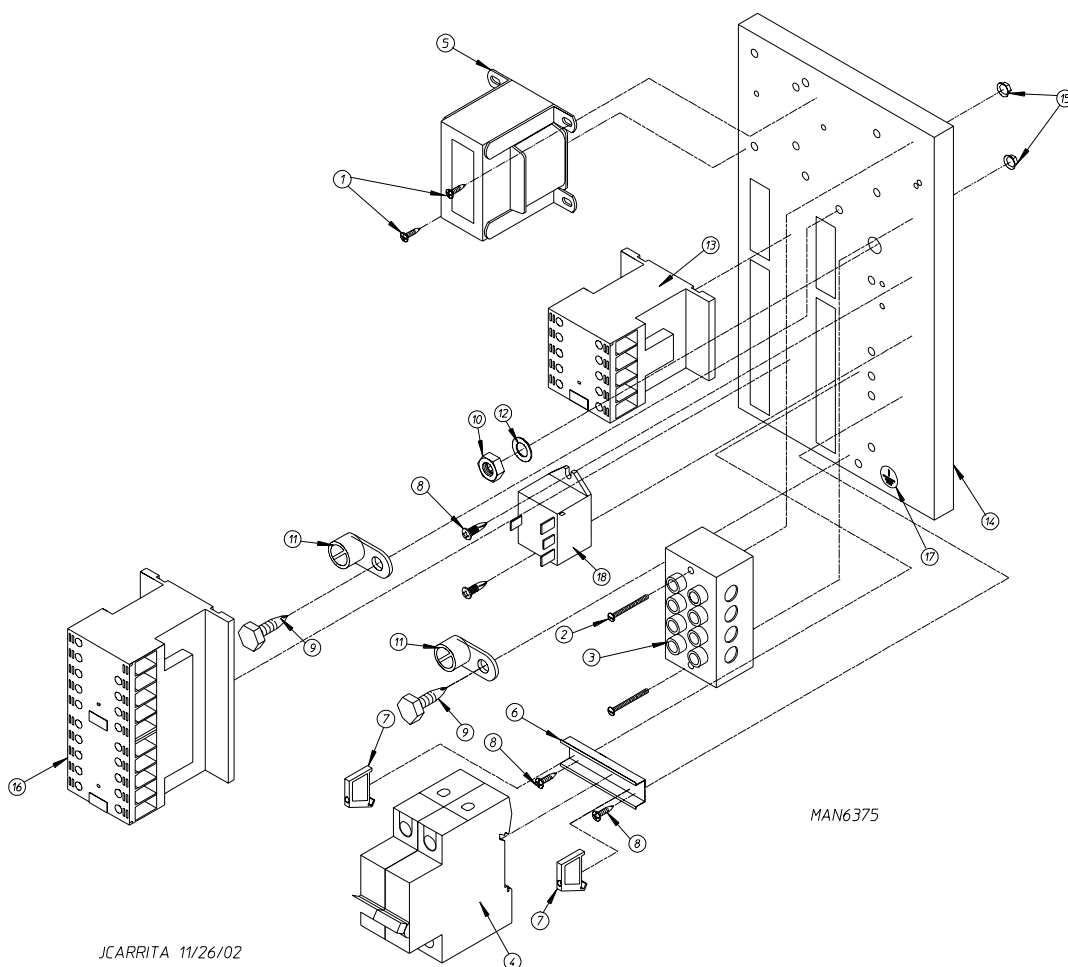


Phase 7 OPL 208-416V Reversing Rear Relay Panel Assembly

<u>Illus. No.</u>	<u>Part No.</u>	<u>Qty.</u>	<u>Description</u>
1	150300	2	#10-16 x 1/2" Hex Washer TEK Screw
2	150008	2	#6-32 x 1-1/4" Phillips Pan Head Machine Screw
3	120701	1	4-Position Terminal Block
4	132497	1	3-Pole Reversing Contactor
5	822799	1	Transformer Assembly – 208-240 Volt (for gas and steam models Only)
	822792	1	Transformer Assembly – 208-240 Volt (for electric models Only)
	822784	1	Transformer Assembly – 380-416 Volt
6	136008	*	Fuse Holder
7	136057	*	1/2-Amp (Slo-Blo) Fuse
8	150301	4	#8-18 x 7/16" Phillips Pan Head TEK Screw
9	150297	2	#10 x 1/2" Green Hex Washer TEK Screw
10	152004	1	5/16-18 Hex Nut
11	121010	2	L-70 Ground Lug
12	153002	1	5/16" Lock Washer
13	132495	1	3-Pole Contactor
14	322812	1	Rear Electric Mounting Plate ONLY
	822771	1	Rear Electric Panel Assembly Complete – 208-240 Volt (for gas models Only) (includes illus. nos. 1 through 16)
	830167	1	Rear Electric Panel Assembly Complete – 208-240 Volt (for steam models Only) (includes illus. nos. 1 through 16)
	822789	1	Rear Electric Panel Assembly Complete – 208-240 Volt (for electric models Only) (includes illus. nos. 1 through 17)
	822783	1	Rear Electric Panel Assembly Complete – 380-416 Volt (for gas models Only) (includes illus. nos. 1 through 16)
	830117	1	Rear Electric Panel Assembly Complete – 380-416 Volt (for steam models Only) (includes illus. nos. 1 through 16)
	818397	1	Rear Electric Panel Assembly Complete – 380-416 Volt (for electric models Only) (includes illus. nos. 1 through 17)
15	151000	2	#6-32 Pal Nut
16	120765	1	Standard End Bracket
17	131932	1	24V SPST Relay (for electric models Only)

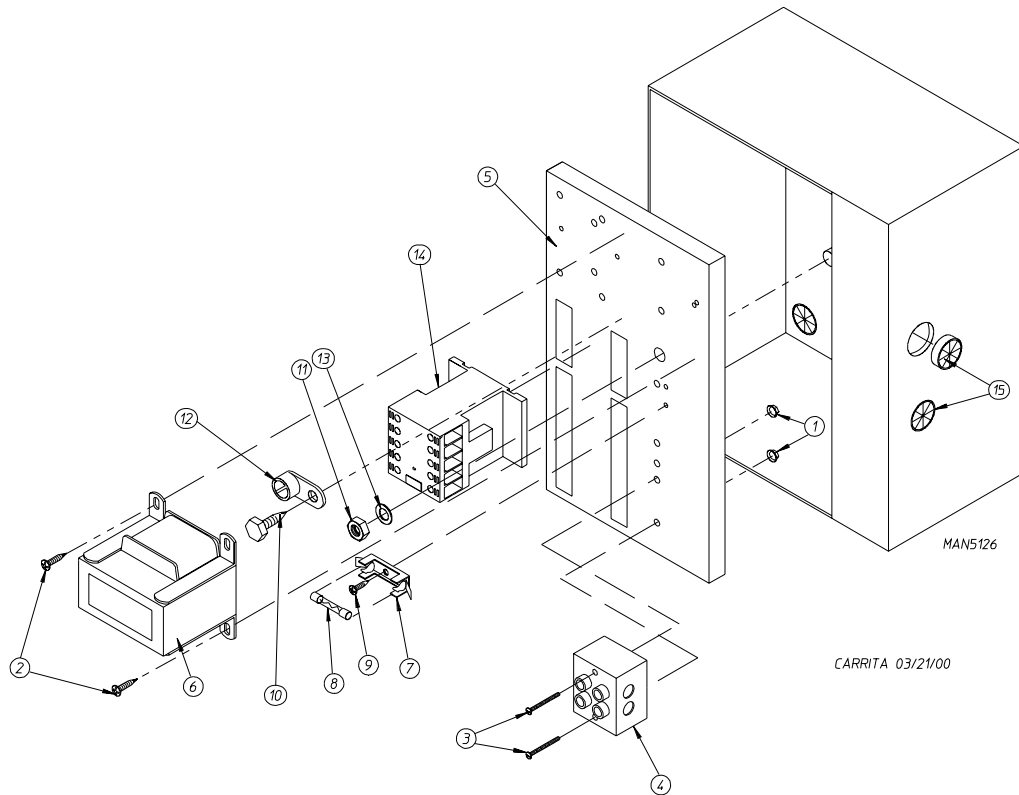
* Quantity is 2 for 208-240V and 1 for 380-416V.

Phase 7 OPL 460-480V Reversing Rear Relay Panel Assembly



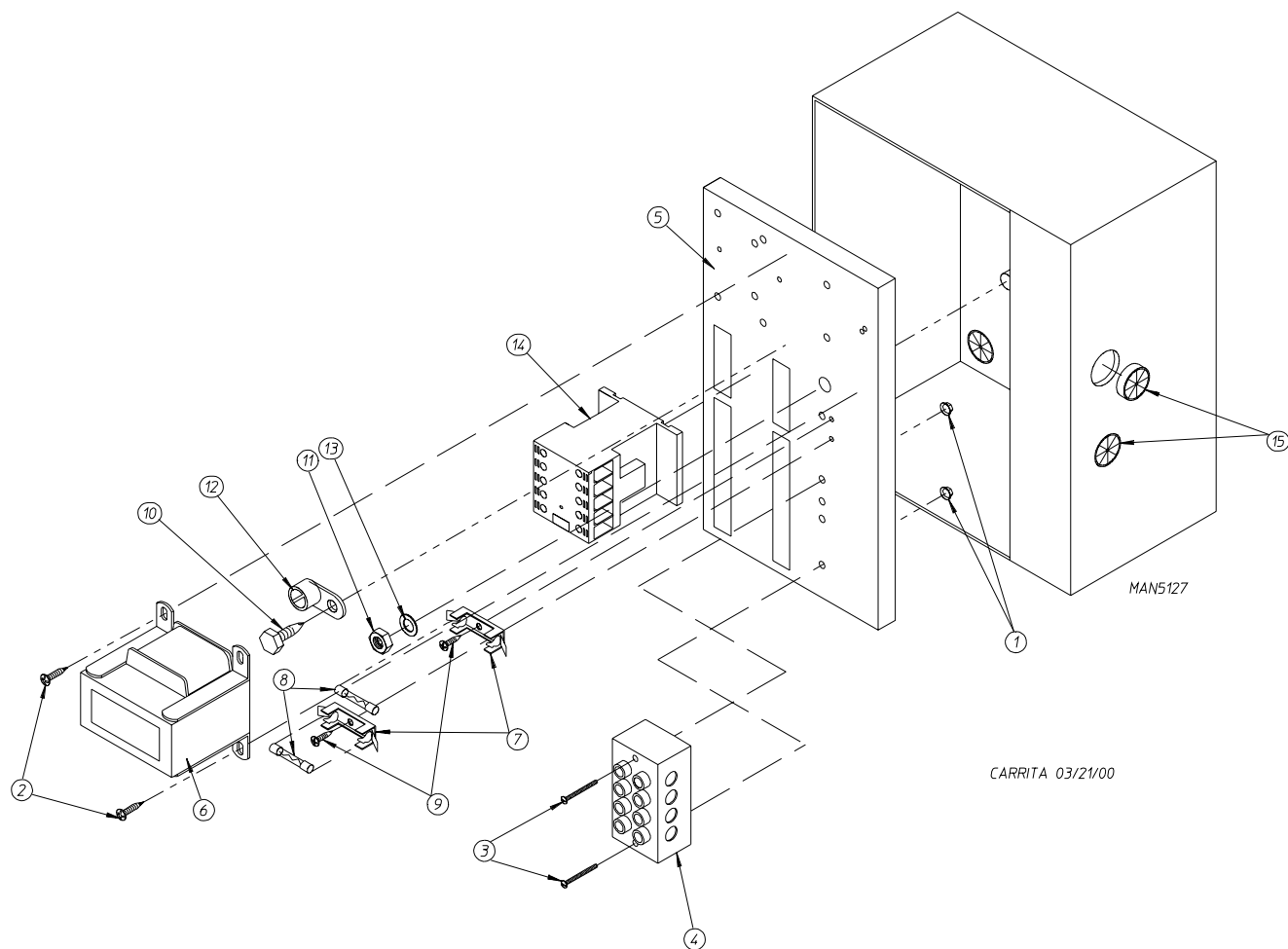
Illus. No.	Part No.	Qty.	Description
1	150300	2	#10-16 x 1/2" Hex Washer TEK Screw
2	150008	2	#6-32 x 1-1/4" Phillips Pan Head Machine Screw
3	120701	1	4-Position Terminal Block
4	135501	1	2-Pole 1-Amp Circuit Breaker
5	824221	1	Transformer Assembly – 460-480 Volt
6	120768	2	35 x 15mm Din Rail
7	120765	2	Standard End Bracket
8	150301	4	#8-18 x 7/16" Phillips Pan Head TEK Screw
9	150297	2	#10 x 1/2" Green Hex Washer TEK Screw
10	152004	1	5/16-18 Hex Nut
11	121010	2	L-70 Ground Lug
12	153002	1	5/16" Lock Washer
13	132495	1	3-Pole Contactor
14	322812	1	Rear Electric Mounting Plate ONLY
	830147	1	Rear Electric Panel Assembly Complete – 460-480 Volt (for gas models Only) (includes illus. nos. 1 through 17)
	830103	1	Rear Electric Panel Assembly Complete – 460-480 Volt (for steam models Only) (includes illus. nos. 1 through 17)
	824371	1	Rear Electric Panel Assembly Complete – 460-480 Volt (for electric models Only) (includes illus. nos. 1 through 18)
15	151000	2	#6-32 Pal Nut
16	132497	1	3-Pole Reversing Contactor
17	112075	1	Ground Label
18	131932	1	24V SPST Relay (for electric models Only)

Dual Timer Single-Phase (1 ϕ) Rear Relay Panel Assembly



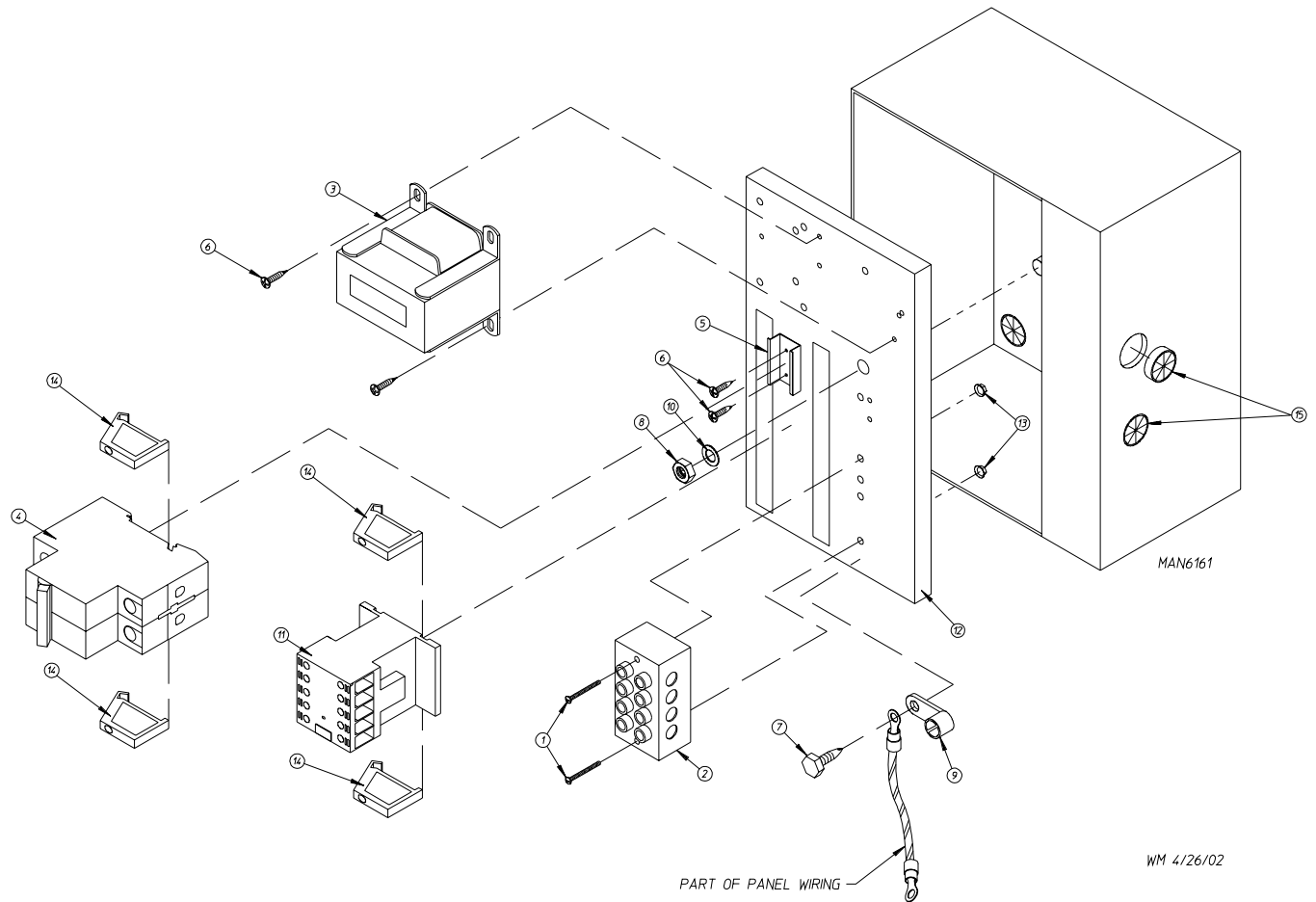
<u>Illus. No.</u>	<u>Part No.</u>	<u>Qty.</u>	<u>Description</u>
1	151000	2	#6-32 Pal Nut
2	150300	2	#10-16 x 1/2" Hex Washer TEK Screw
3	150008	2	#6-32 x 1-1/4" Phillips Pan Head Machine Screw
4	120716	1	2-Position Terminal Block
5	322817	1	Rear Electric Mounting Plate ONLY
	882662	1	Rear Electric Panel Assembly Complete – 120 Volt (includes illus. nos. 1 through 14)
	882663	1	Rear Electric Panel Assembly Complete – 208-240 Volt (for gas and steam models Only) (includes illus. nos. 1 through 14)
	818395	1	Rear Electric Panel Assembly Complete – 208-240 Volt (for electric models mfd. with single-phase [1 ϕ] motor Only) (includes illus. nos. 1 through 14)
	882667	1	Rear Electric Panel Assembly Complete – 380-416 Volt (for electric models mfd. with single-phase [1 ϕ] motor Only) (includes illus. nos. 1 through 14)
6	882652	1	Transformer Assembly – 120 Volt
	882653	1	Transformer Assembly – 208-240 Volt (for gas and steam models Only)
	818396	1	Transformer Assembly – 208-240 Volt (for electric models Only)
	882654	1	Transformer Assembly – 380-416 Volt
7	136008	1 or 2	Fuse Holder
8	136049	1	3/4-Amp (Slo-Blo) Fuse – 120 Volt
	136057	2	1/2-Amp (Slo-Blo) Fuse – 208-416 Volt
9	150301	1 or 2	#8-18 x 7/16" Phillips Pan Head TEK Screw
10	150297	1	#10 x 1/2" Green Hex Washer TEK Screw
11	152004	1	5/16-18 Hex Nut
12	121010	1	L-70 Ground Lug
13	153002	1	5/16" Lock Washer
14	132459	1	3-Pole Contactor
15	121300	3	Open / Closed Bushing

Dual Timer 208-416V 3-Phase (3Ø) Rear Relay Panel Assembly



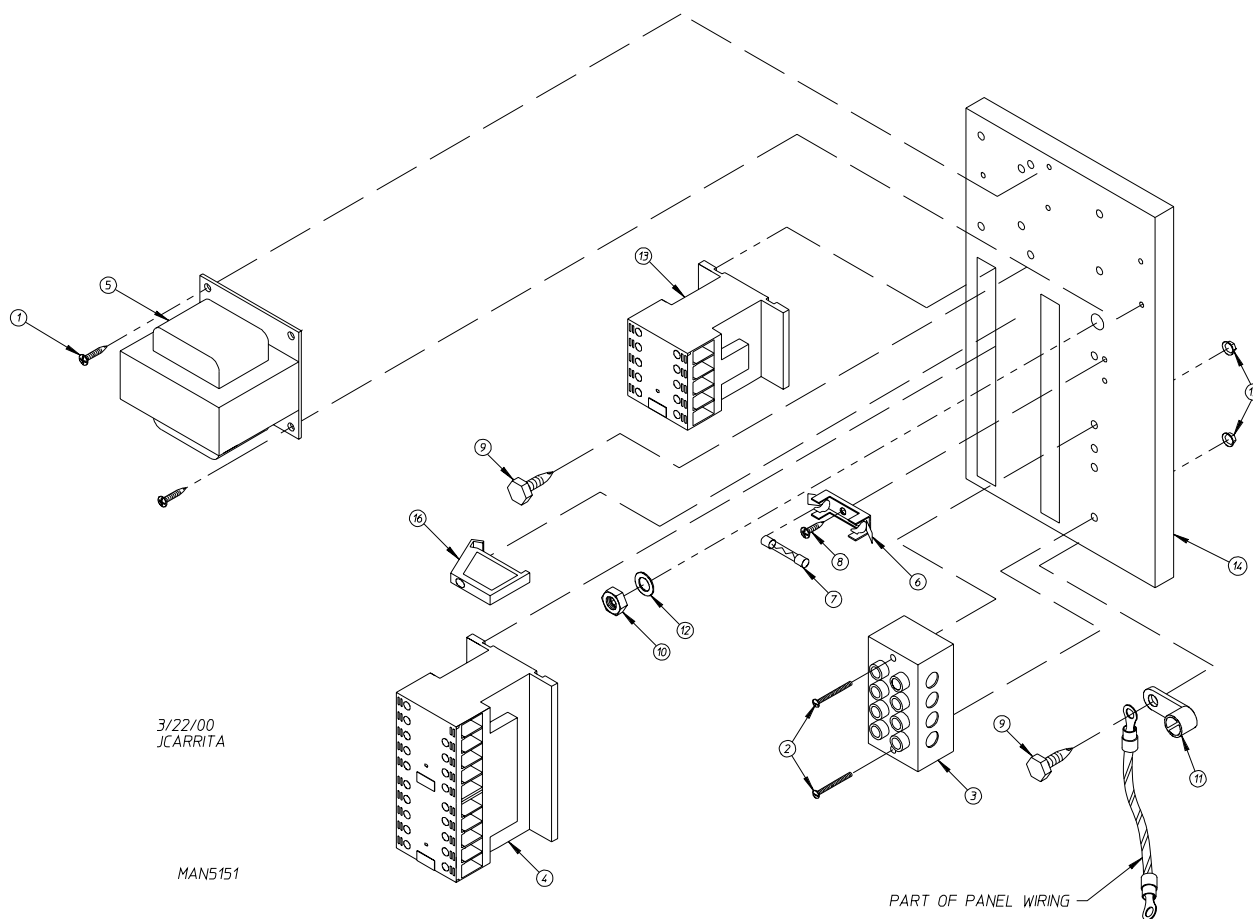
Illus. No.	Part No.	Qty.	Description
1	151000	2	#6-32 Pal Nut
2	150300	2	#10-16 x 1/2" Hex Washer TEK Screw
3	150008	2	#6-32 x 1-1/4" Phillips Pan Head Machine Screw
4	120701	1	4-Position Terminal Block
5	322817	1	Rear Electric Mounting Plate ONLY
	882664	1	Rear Electric Panel Assembly Complete – 208-240 Volt (for gas and steam models Only) (includes illus. nos. 1 through 14)
	818400	1	Rear Electric Panel Assembly – 208-240 Volt (for electric models Only) (includes illus. nos. 1 through 14)
	882665	1	Rear Electric Panel Assembly Complete – 380-416 Volt (for gas and steam models Only) (includes illus. nos. 1 through 14)
6	882653	1	Transformer Assembly – 208-240 Volt (for gas and steam models Only)
	818396	1	Transformer Assembly – 208-240 Volt (for electric models Only)
	882654	1	Transformer Assembly – 380-416 Volt
7	136008	2	Fuse Holder
8	136057	2	1/2-Amp (Slo-Blo) Fuse
9	150301	2	#8-18 x 7/16" Phillips Pan Head TEK Screw
10	150297	1	#10 x 1/2" Green Hex Washer TEK Screw
11	152004	1	5/16-18 Hex Nut
12	121010	1	L-70 Ground Lug
13	153002	1	5/16" Lock Washer
14	132459	1	3-Pole Contactor
15	121300	3	Open / Closed Bushing

Dual Timer 460-480V 3-Phase (3Ø) Rear Relay Panel Assembly



Illus. No.	Part No.	Qty.	Description
1	150009	2	#6-32 x 1-1/2" Phillips Pan Head Machine Screw
2	120701	1	4-Position Terminal Block
3	824161	1	Transformer Assembly
4	135501	1	2-Pole 1-Amp Circuit Breaker
5	120768	2	35 x 15mm Din Rail
6	150301	4	#8-18 x 7/16" Phillips Pan Head TEK Screw
7	150297	1	#10 x 1/2" Green Hex Washer TEK Screw
8	152004	1	5/16-18 Hex Nut
9	121010	1	L-70 Ground Lug
10	153002	1	5/16" Lock Washer
11	132459	1	24 VAC 3-Pole Contactor
12	322817	1	Mounting Plate ONLY
	830262	1	Rear Panel Assembly Complete (includes illus. nos. 1 through 14)
13	151000	2	#6-32 Pal Nut
14	120765	4	End Stop
15	121300	3	Open / Closed Bushing

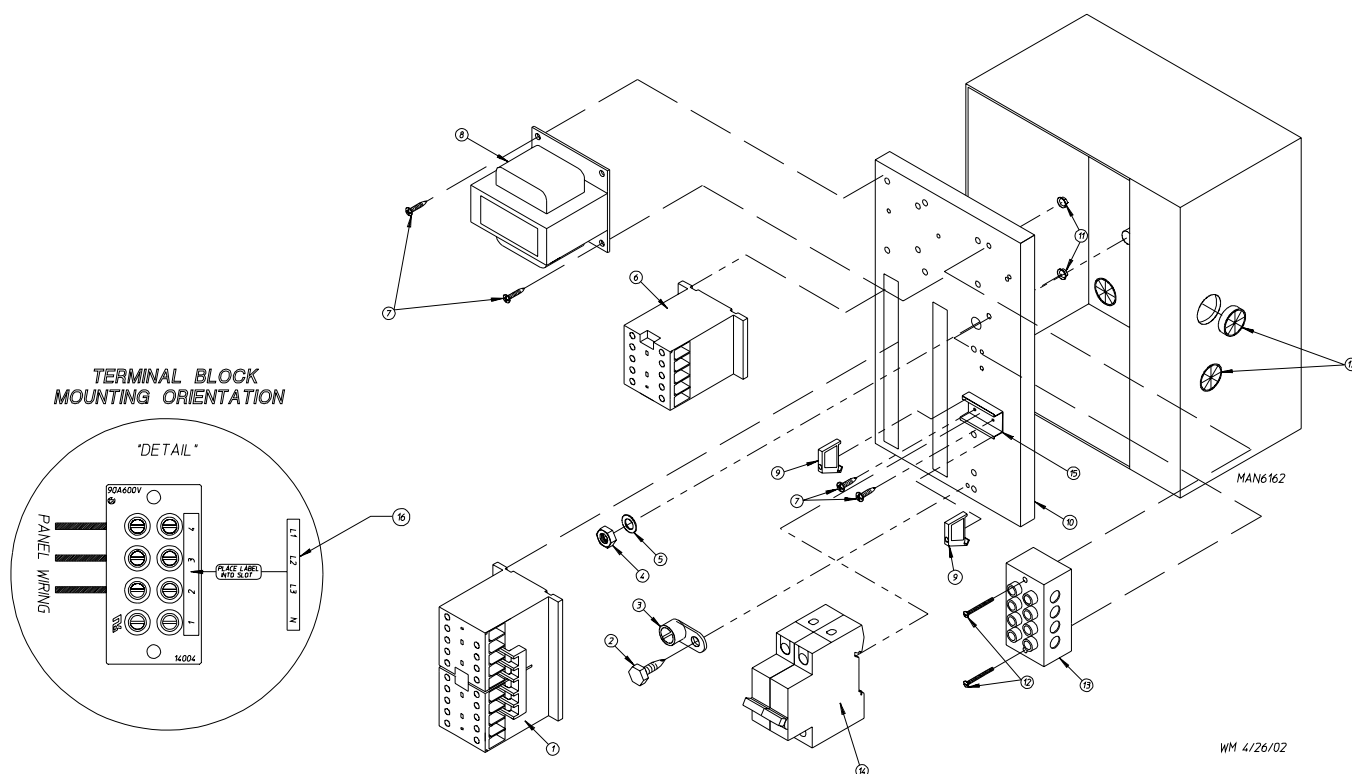
Dual Timer 208-416V Reversing Rear Relay Panel Assembly



<u>Illus. No.</u>	<u>Part No.</u>	<u>Qty.</u>	<u>Description</u>
1	150300	2	#10-16 x 1/2" Hex Washer TEK Screw
2	150008	2	#6-32 x 1-1/4" Phillips Pan Head Machine Screw
3	120701	1	4-Position Terminal Block
4	132458	1	3-Pole Reversing Contactor
5	882653	1	Transformer Assembly – 208-240 Volt (for gas and steam models Only)
	825428	1	Transformer Assembly – 208-240 Volt (for electric models Only)
	882654	1	Transformer Assembly – 380-416 Volt
6	136008	*	Fuse Holder
7	136057	*	1/2-Amp (Slo-Blo) Fuse
8	150301	*	#8-18 x 7/16" Phillips Pan Head TEK Screw
9	150297	2	#10 x 1/2" Green Hex Washer TEK Screw
10	152004	1	5/16-18 Hex Nut
11	121010	1	L-70 Ground Lug
12	153002	1	5/16" Lock Washer
13	132459	1	3-Pole Contactor
14	322812	1	Rear Electric Mounting Plate ONLY
	882673	1	Rear Electric Panel Assembly Complete – 208-240 Volt (for gas and steam models Only) (includes illus. nos. 1 through 16)
	883335	1	Rear Electric Panel Assembly Complete – 208-240 Volt (for electric models Only) (includes illus. nos. 1 through 16)
	882676	1	Rear Electric Panel Assembly Complete – 380-416 Volt (includes illus. nos. 1 through 16)
15	151000	2	#6-32 Pal Nut
16	120765	1	Standard End Bracket

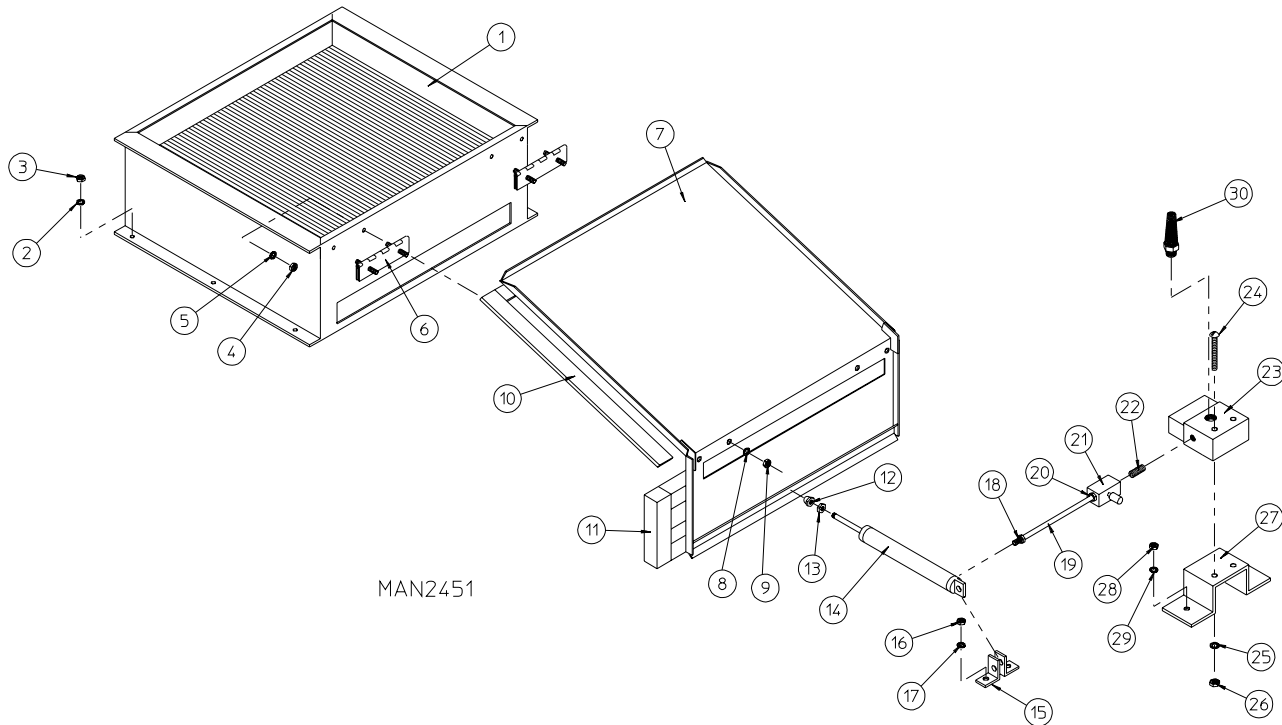
* Quantity is 2 for 208-240v and 1 for 380-416v.

Dual Timer 460-480V Reversing Rear Relay Panel Assembly



Illus. No.	Part No.	Qty.	Description
1	132458	1	24 VAC Reversing Contactor
2	150297	1	#10 x 1/2" Green Hex Washer TEK Screw
3	121010	1	L-70 Ground Lug
4	152004	1	5/16-18 Hex Nut
5	153002	1	5/16" Lock Washer
6	132459	1	24 VAC 3-Pole Blower Contactor
7	150300	4	#10-16 x 1/2" Hex Washer TEK Screw
8	824161	1	Transformer Assembly (460 VAC)
9	120765	2	Standard End Bracket
10	322817	1	Mounting Plate ONLY
	824412	1	460 VAC Reversing Rear Electric Panel Assembly Complete (includes illus. nos. 1 through 16)
11	151000	2	#6-32 Pal Nut
12	150009	2	#6-32 x 1-1/2" Phillips Pan Head Machine Screw
13	120701	1	4-Position Terminal Block
14	135501	1	2-Pole 1-Amp Circuit Breaker
15	120768	2	35 x 15mm Din Rail (sold by the inch)
16	112068	1	3-Phase (3 ϕ) Power Input Label
17	121300	3	Open / Closed Bushing

Steam Coil / Air-Operated Steam Damper Assembly

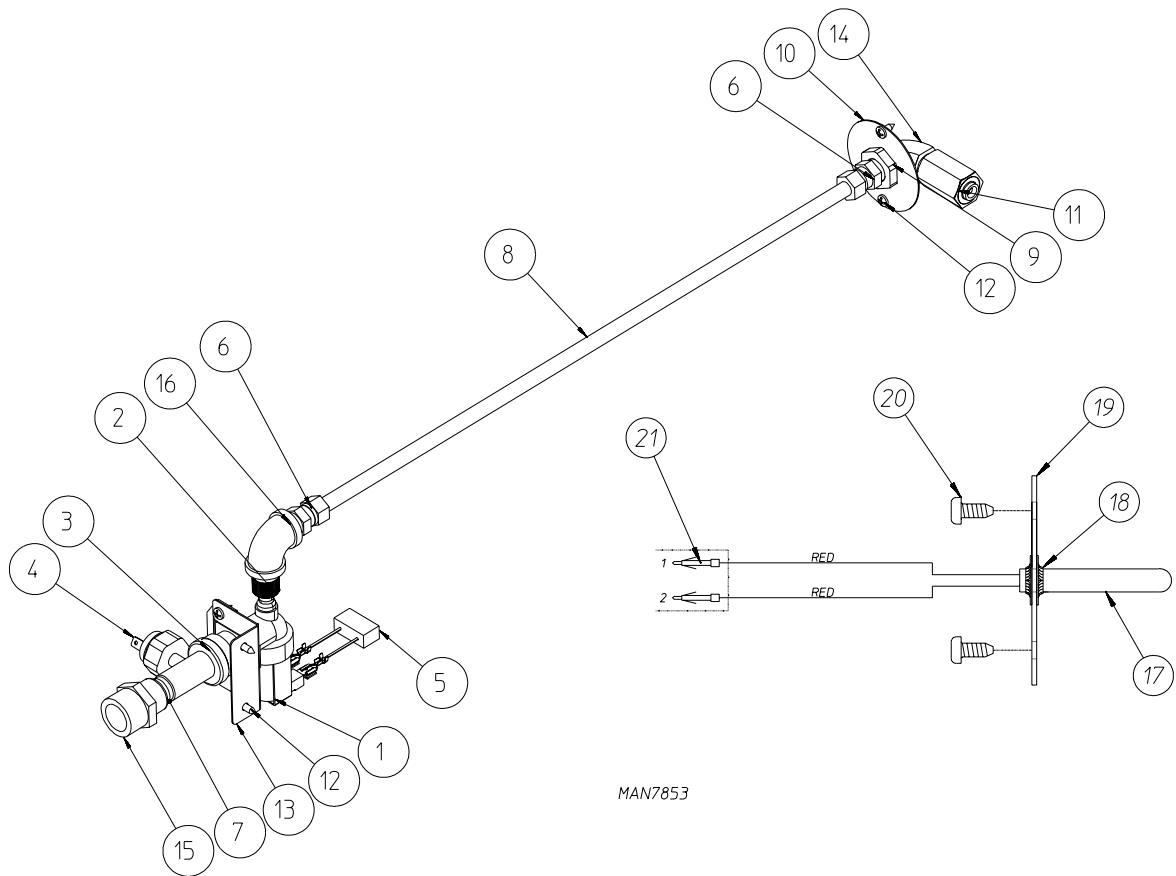


MAN2451

Illus. No.	Part No.	Qty.	Description
1	165013	1	Steam Coil Assembly
2	153002	6	5/16" Lock Washer
3	152004	6	5/16-18 Hex Nut
4	152002	4	1/4-20 Hex Nut
5	153007	4	1/4" Lock Washer
6	820321	2	Steam Damper Hinge Assembly
7	880835	1	Steam Damper Assembly (includes illus. nos. 7, 10, and 11)
8	153007	4	1/4" Lock Washer
9	152002	4	1/4-20 Hex Nut
10	115995	48	Steam Damper Gasket (sold by the inch)
11	102350	1	Steam Damper Foam (68-1/2" length)
12	151006	1	5/16-24 Stainless Steel Acorn Nut
13	152051	1	5/16-24 Right Hand Jam Nut
14	100495	1	11/16" Dia. x 3" Stroke Piston
15	323365	2	Left and Right Piston Support
16	152002	2	1/4-20 Hex Nut
17	153007	2	1/4" Lock Washer
18	100472	1	1/4" Poly x 1/8" M.P.T. Connector
19	143110	1	1/4" Poly-Flo Tubing
20	100472	1	1/4" Poly x 1/8" M.P.T. Connector
21	100496	1	1/8" Needle Valve
22	143238	1	1/8" Brass Close Nipple
23	100498	1	3-Way Micro Valve – 24 VAC
24	150002	2	#6-32 x 1" Phillips Round Head Machine Screw
25	153010	2	#6 Star Washer
26	152000	2	#6-32 Hex Nut
27	330987	1	Micro Valve Support
28	152002	2	1/4-20 Hex Nut
29	153007	2	1/4" Lock Washer
30	100520	1	1/8" N.P.T. Silencer (muffler)

Sensor Activated Fire Extinguishing System Assembly

For Models Mfd. as of November 8, 2011

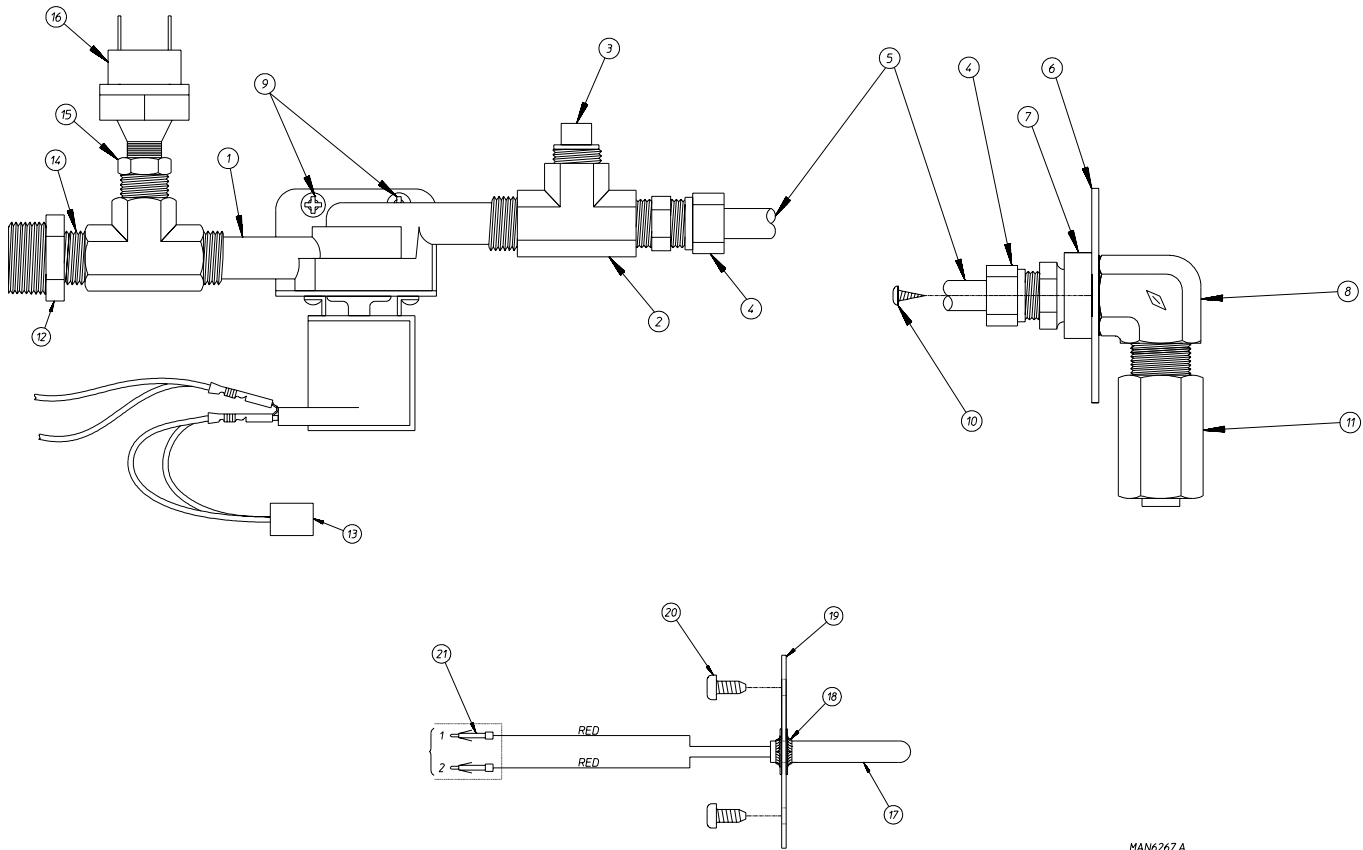


MAN7853

<u>Illus. No.</u>	<u>Part No.</u>	<u>Qty.</u>	<u>Description</u>
1	165119	1	Sensor Activated Fire Extinguishing System H ₂ O Valve 24VAC
2	143183	1	7/16-20 x 3/8 NPD Brass Adaptor
3	143182	1	3/4GHT x 1/8 x 3/8 NPT Brass Tee
4	136987	1	Water Pressure Switch
5	824081	1	RC Network Assembly
6	143208	2	3/8 Comp x 3/8 MPT Brass Connect
7	143241	1	3/8 x Close Brass Nipple
8	143099	1	3/8" OD x .035 Wall Copper Tubing
9	143303	1	3/8 NPT Brass Lock Nut
10	311588	1	Sensor Activated Fire Extinguishing System Sprinkler Head Mounting Plate
11	143581	1	Sensor Activated Fire Extinguishing System 3GPM 3/8 NPT Spray Nozzle
12	150301	6	#8-18 x 7/16 PHL-PH-TEX PLTD
13	313962	1	Main Line Sensor Activated Fire Extinguishing System 90° Valve Bracket
14	143155	1	3/8 Brass Street Elbow
15	143025	1	3/8 NPT x 3/4 NH Nylon Adaptor
16	143310	1	3/8 Brass 90° Elbow
—	817574	1	Sensor Activated Fire Extinguishing System Assembly Complete (includes illus. nos. 1 through 16)
17	822752	1	Sensor Activated Fire Extinguishing System Temperature Probe Assembly (includes illus. nos. 17 through 19 and 21)
18	159007	2	Push-On Fastener
19	390390	1	Sensor Bracket ONLY
20	150301	2	#8-18 x 7/16" Phillips Pan Head TEK Screw
21	122647	1	Connector ONLY (does not include terminals)

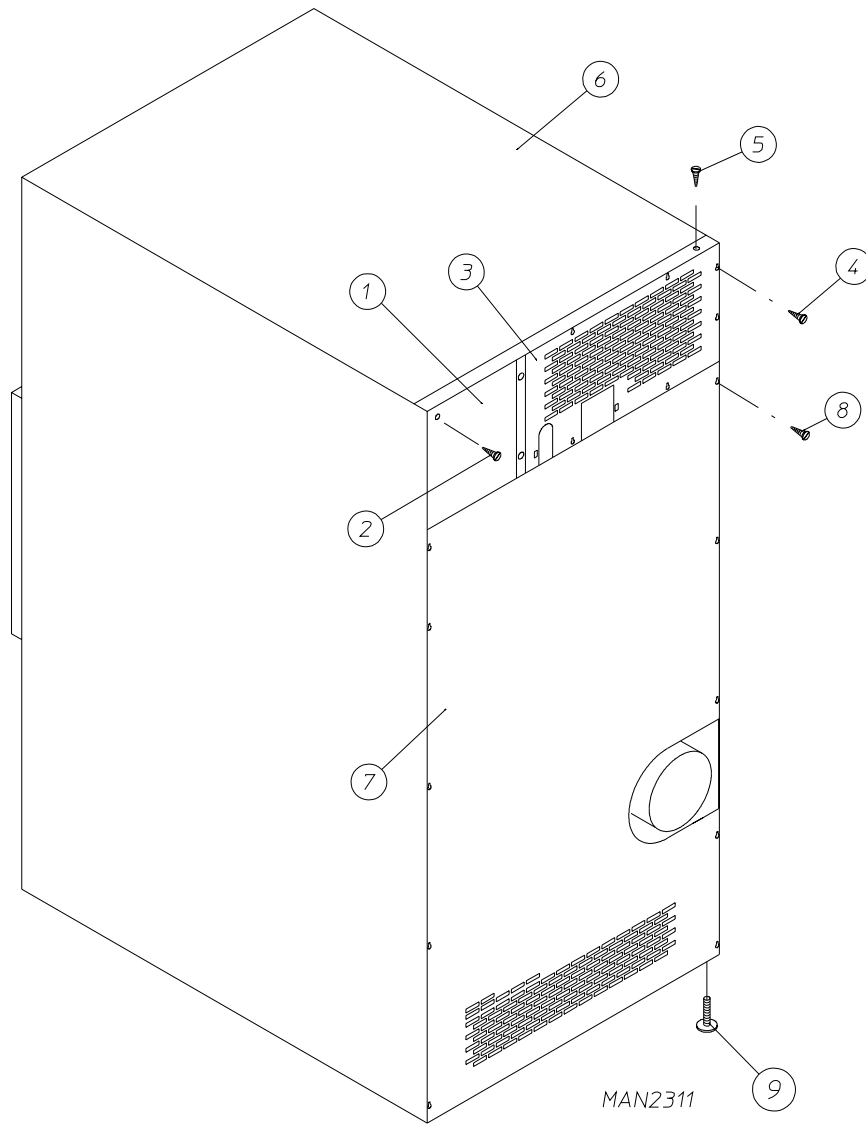
Sensor Activated Fire Extinguishing System Assemblies

For Models Mfd. prior to November 8, 2011



MAN6267.A

<u>Illus. No.</u>	<u>Part No.</u>	<u>Qty.</u>	<u>Description</u>
1	165114	1	Sensor Activated Fire Extinguishing System Solenoid Valve 24V 50/60 Hz
2	143220	1	3/8" F.P.T. Brass Tee
3	143251	1	3/8" M.P.T. Brass Plug
4	143208	2	3/8" Comp x 3/8" M.P.T. Brass Connector
5	143099	6'	3/8" OD x 0.035 Wall Copper Tubing (sold by the foot)
6	311588	1	Sprinkler Head Mounting Plate
7	143303	1	3/8" N.P.T. Brass Locknut
8	143155	1	3/8" Brass Elbow 90°
9	150430	2	#10 x 1/2" Self-Drilling Screw
10	150301	2	#8-18 x 7/16" TEK Screw
11	143581	1	3 GPM 3/8" F.P.T. Spray Nozzle
12	143025	1	3/8 x 3/4 NH 60 Hz
	143177		3/4 M.P.T. x 3/8 Adapt 50 Hz
13	824081	1	R.C. Network Assembly
14	143241	1	3/8" x Close Brass Nipple
15	143315	1	3/8" M.N.P.T. x 1/8" F.N.P.T. Brass Bushing
16	136987	1	Water Jet Pressure Switch (for models mfd. as of December 1, 2003)
17	822752	1	Sensor Activated Fire Extinguishing System Temperature Probe Assembly (includes illus. nos. 17 through 19 and 21)
18	154007	2	Push-On Fastener
19	390390	1	Sensor Bracket ONLY
20	150301	2	#8-18 x 7/16" Phillips Pan Head TEK Screw
21	122647	1	Connector ONLY (does not include terminals)



<u>Illus. No.</u>	<u>Part No.</u>	<u>Qty.</u>	<u>Description</u>
1	322809	1	Back Electrical Box Cover
2	150301	4	#8-18 x 7/16" Phillips Pan Head TEK Screw
3*	314424	1	Gas Top Back Guard
	322075	1	Electric Top Back Guard (for dual timer models Only)
	322841	1	Electric Top Back Guard (for micro models Only)
4	150301	7	#8-18 x 7/16" Phillips Pan Head TEK Screw
5	150300	10	#10-16 x 1/2" Hex Washer TEK Screw
6*	312545	1	Outer Top (for all dual timer and gas micro models Only)
	322154	1	Outer Top (for electric micro models Only)
7	322082	1	Bottom Back Guard
8	150301	13	#8-18 x 7/16" Phillips Pan Head TEK Screw
9	103500	4	Leveling Leg

* There is no outer top or top back guard on steam models.

Electrical Oven Component Application Charts

For Micro Models ONLY

For Dual Timer Models ONLY

kW	Voltage	Phase	Wire	Oven Assembly*	Element			Oven Wire with Crimp Terminal			Terminal Lug		Bus Bar P/N: 121011	Oven Relay	
					Qty	kW	Part No.	Qty	Size	Part No.	Qty	Part No.		Cat. No.	Part No.
20	380	3Ø	3 or 4	824052	6	4	120009	1	#8	882558	1	121010	DPA33	131352	
18	416	3Ø	3	846960	6	3	120007	1	#8	882558	1	121010	DPA33	131352	

* When ordering oven assembly complete, specify 3 or 4 wire when applicable.

kW	Voltage	Phase	Wire	Oven Assembly	Element			Oven Wire			Terminal Lug		Bus Bar P/N: 121011	Oven Relay	
					Qty	kW	Part No.	Qty	Size	Part No.	Qty	Part No.		Cat. No.	Part No.
24	460/480	3Ø	3 or 4	824951	6	4	120009	1	#8	882559	1	121010	DPA33	131352	
24	416	3Ø	3 or 4	826394	6	4	120009	1	#8	882558	1	121010	DPA33	131352	
24	240	3Ø	3	883557	6	4	120009	1	#6	882556	1	121010	DPA63	131369	
24	208	3Ø	3 or 4	824915	6	4	120008	1	#4	882553	1	121010	DPA73	131376	
20	380	3Ø	3 or 4	826243	6	4	120007	1	#8	882558	1	121010	DPA33	131352	
20	240	1Ø	2	883559	5	4	120009	1	#4	882552	1	121010	DPA93	131358	
20	208	1Ø	2	883561	5	4	120008	1	#2	883384	1	121010	DPA93	131358	
18	460/480	3Ø	3 or 4	883560	6	3	120007	1	#8	882559	1	121010	DPA33	131352	
18	416	3Ø	3 or 4	826389	6	3	120007	1	#8	882558	1	121010	DPA33	131352	
18	240	3Ø	3	883562	6	3	120007	1	#8	882558	1	121010	DPA43	131357	
18	240	1Ø	2	883558	6	3	120007	1	#4	882552	1	121010	DPA73	131376	
18	208	3Ø	3 or 4	824914	6	3	120006	1	#6	882556	1	121010	DPA53	131359	
18	208	1Ø	2	883563	6	3	120006	1	#2	883384	1	121010	DPA93	131358	
15	380	3Ø	3 or 4	826389	6	3	120007	1	#8	882558	1	121010	DPA33	131352	

<u>Part No.</u>	<u>Description</u>
114006	"WARNING – Fire Hazards" Label
112280	"Clean Lint Screen" Label
114001	"CAUTION – Exhaust / Lint Screen" Label
114521	"Phase 7 OPL Program Location Summary" Label
120100	3/8" Straight (BX) Connector
120300	3/8" x 45° (BX) Connector
120400	3/8" Red Jacket (BX) Insulator
120500	3/8" Jiffy Clip (BX) Retainer Clip
120600	3/8" Greenfield (BX)
120707	(2-Position) Terminal Strip
120708	(3-Position) Terminal Strip
120800	1/4" In-Line Connector
120802	Red Butt Connector
120902	#74B Wire Nut
120903	Crimp-On Wire Nut
121014	1/4" Insulated (female) Terminal
121026	Tab Receptacle Combination
121499	5-1/2" Harness Tie
121500	8" Harness Tie
122804	Manometer (hydro gauge) for Measuring Gas Pressure
404500	Almond Brush-In-Cap Bottle Touch-Up Paint
404502	White Brush-In-Cap Bottle Touch-Up Paint
404513	Wrinkle Blue Brush-In-Cap Bottle Touch-Up Paint

