



AD-265

Parts Manual

Phase 5

American Dryer Corporation
88 Currant Road
Fall River MA 02720-4781 USA
Telephone: +1 (508) 678-9000 / Fax: +1 (508) 678-9447
e-mail: techsupport@amdry.com

www.adclaundry.com

Retain This Manual In A Safe Place For Future Reference

American Dryer Corporation products embody advanced concepts in engineering, design, and safety. If this product is properly maintained, it will provide many years of safe, efficient, and trouble free operation.

ONLY qualified technicians should service this equipment.

OBSERVE ALL SAFETY PRECAUTIONS displayed on the equipment or specified in the installation manual included with the dryer.

The following “**FOR YOUR SAFETY**” caution must be posted near the dryer in a prominent location.

FOR YOUR SAFETY

Do not store or use gasoline or other flammable vapors and liquids in the vicinity of this or any other appliance.

POUR VOTRE SÉCURITÉ

Ne pas entreposer ni utiliser d'essence ni d'autres vapeurs ou liquides inflammables à proximité de cet appareil ou de tout autre appareil.

We have tried to make this manual as complete as possible and hope you will find it useful. ADC reserves the right to make changes from time to time, without notice or obligation, in prices, specifications, colors, and material, and to change or discontinue models.

Important

For your convenience, log the following information:

DATE OF PURCHASE _____ MODEL NO. **AD-265**

RESELLER'S NAME _____

Serial Number(s) _____

Replacement parts can be obtained from your reseller or the ADC factory. When ordering replacement parts from the factory, you can FAX your order to ADC at (508) 678-9447 or telephone your order directly to the ADC Parts Department at (508) 678-9000. Please specify the dryer model number and serial number in addition to the description and part number, so that your order is processed accurately and promptly.

The illustrations on the following pages may not depict your particular dryer exactly. The illustrations are a composite of the various dryer models. Be sure to check the descriptions of the parts thoroughly before ordering.

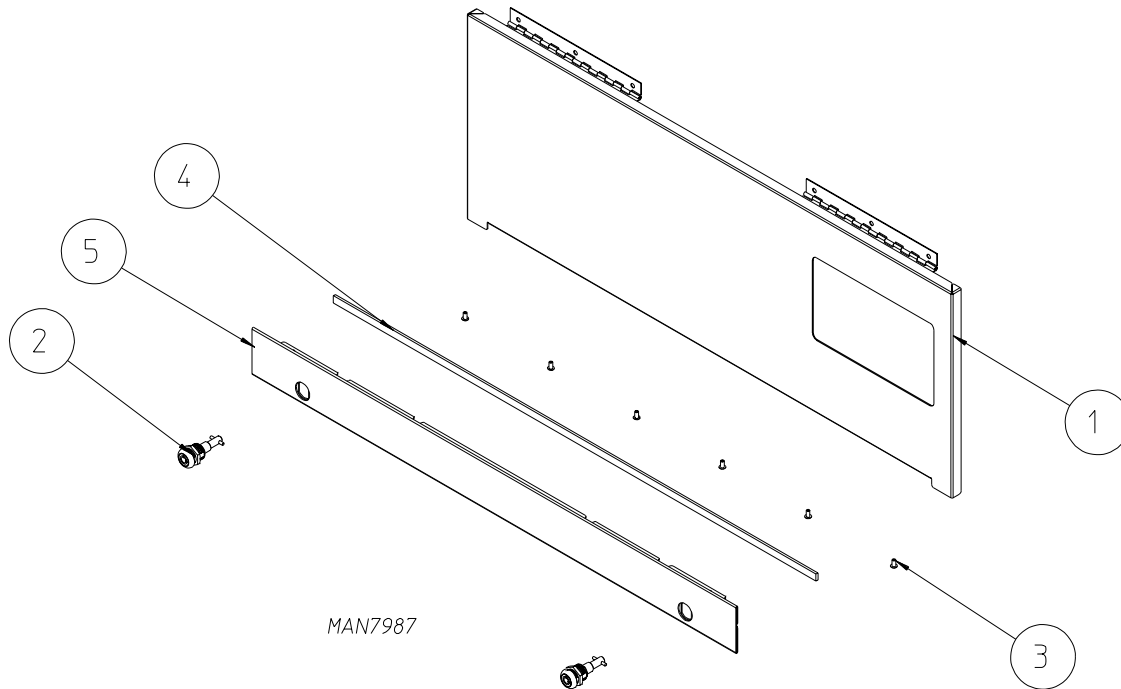
“IMPORTANT NOTE TO PURCHASER”

Information must be obtained from your local gas supplier on the instructions to be followed if the user smells gas. These instructions must be posted in a prominent location near the dryer.

Table of Contents

Coin Control Door Assembly	4
Single Coin Microprocessor Control Panel Assembly	5
Magnetic Main Door Cold Rolled Steel Assembly	6
Coin Front Panel Assembly	7
Coin Vault Assembly	8
Lint Door Assembly	9
Microprocessor Temperature Sensor Bracket Assembly	10
Motor / Fan Assembly	11
Tumbler Bearing Assembly	12
Basket Assembly	13
Burner Box	14
Rear Electrical Panel	15
Additional Parts Available	16

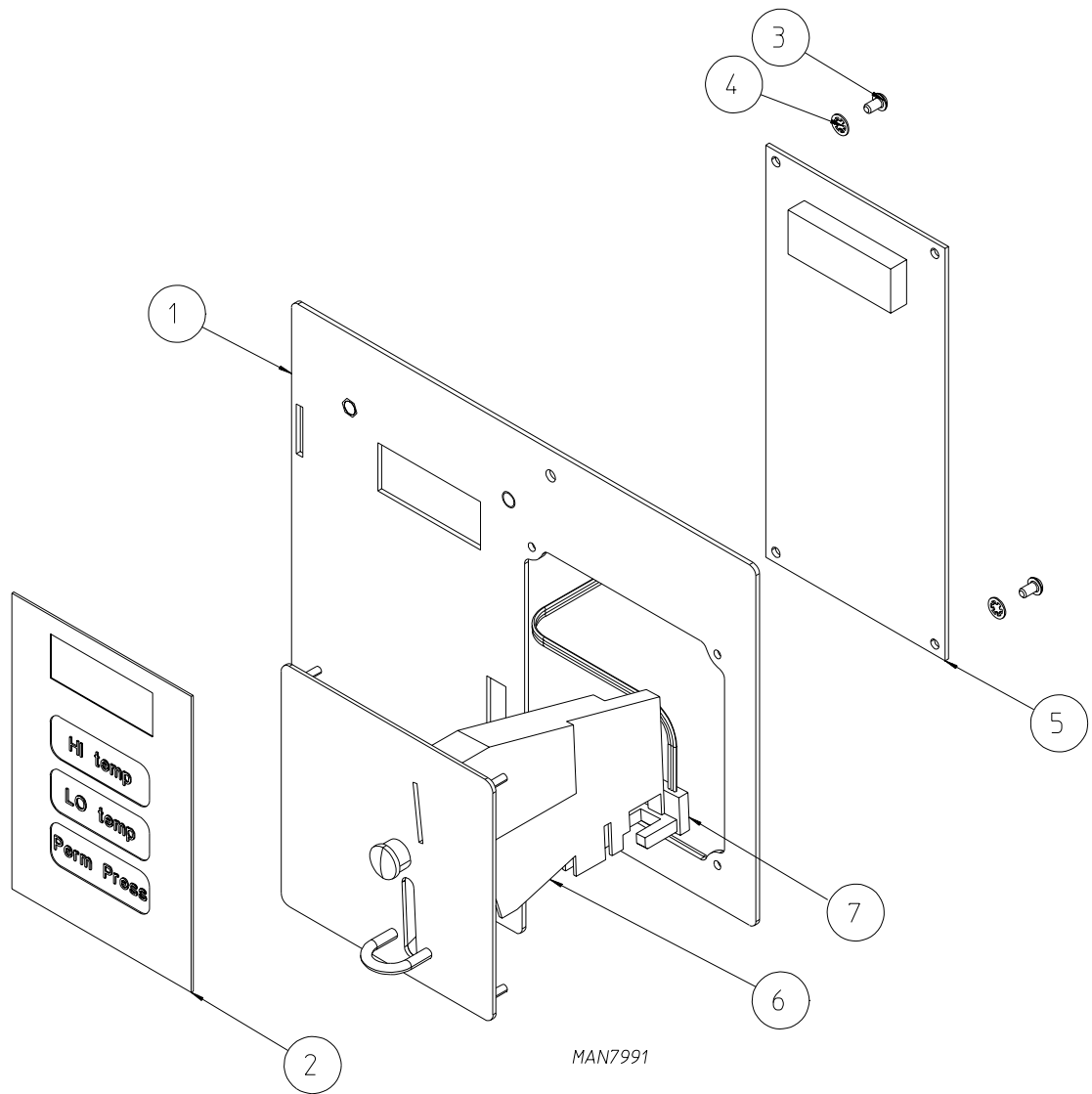
Coin Control Door Assembly



Illus. No.	Part No.	Qty.	Description
1	812608*	1	Coin Control Door Complete (No Logo) (includes illus. nos. 1 through 5)
	112350	1	ADC Logo Only
	870011	1	Logo Double Stick Tape Kit
2	160040	2	ACE® Lock Assembly
	160140	–	ACE® Key (key number XX4451)
3	154211	6	5/32" Button Head Rivet
4	117604	3	1/8" x 3/8" Neosponge Tape
5	812627	1	Control Door Trim

* Specify color when ordering.

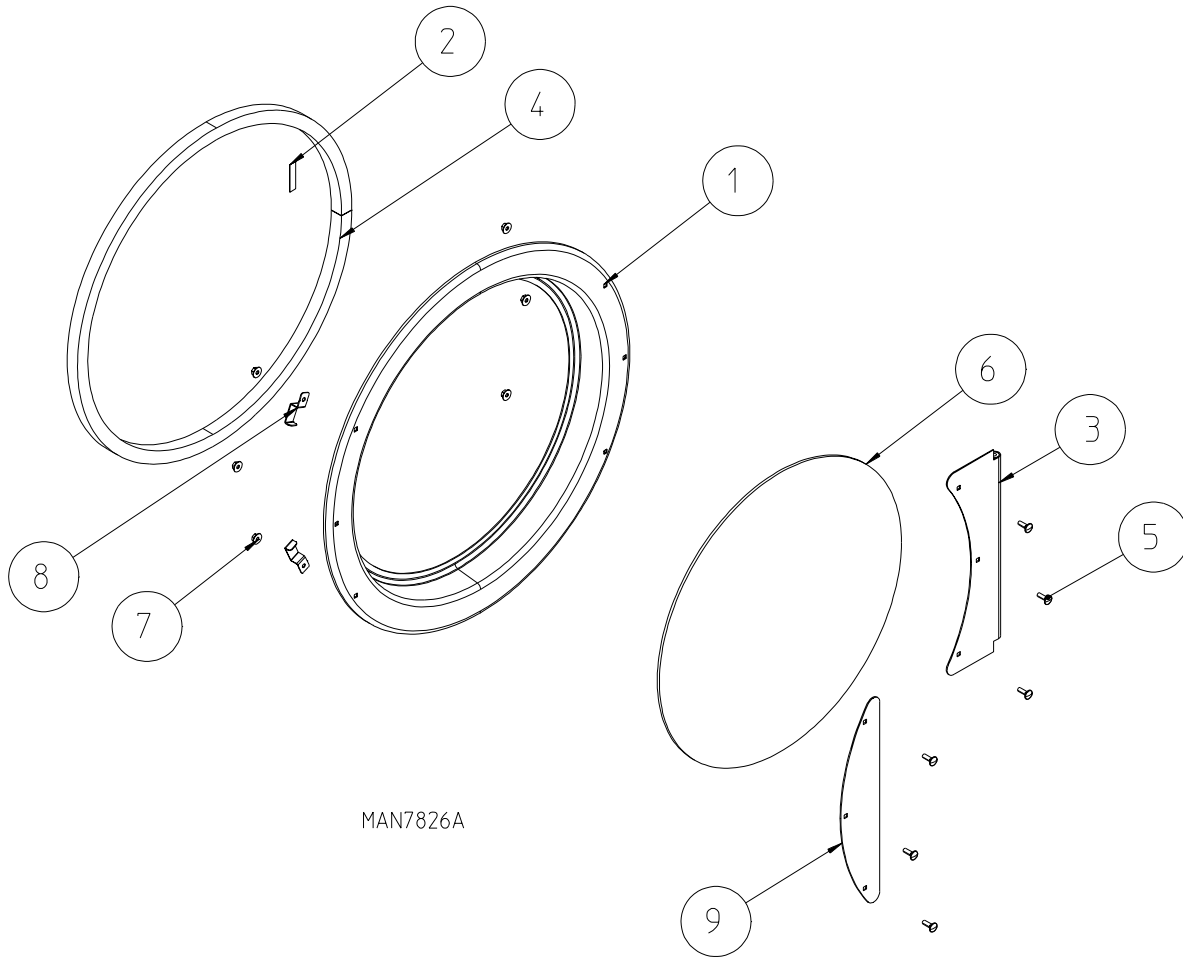
Single Coin Microprocessor Control Panel Assembly



MAN7991

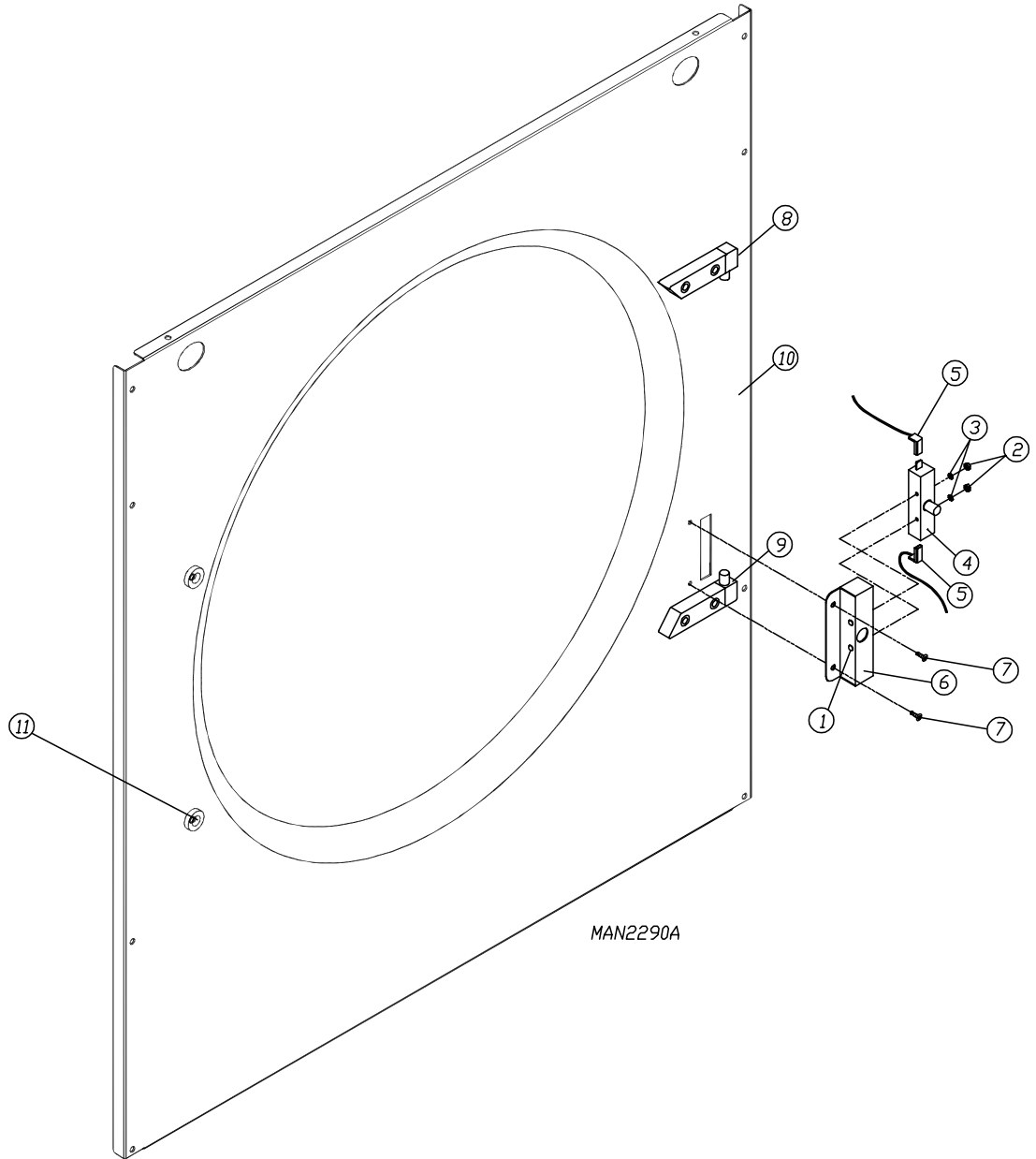
<u>Illus. No.</u>	<u>Part No.</u>	<u>Qty.</u>	<u>Description</u>
1	814933	1	Phase 5 Coin Control Panel Assembly (includes illus. nos. 1 through 7)
	814922	1	Coin Control Panel Only
2	112526	1	Phase 5 Coin Keypad
3	150005	2	Phillips Head Machine Screw
4	153010	2	Star Washer
5	137213	1	Phase 5 Coin Computer
6	881163	1	Coin Acceptor Assembly with Optic Switch
7	881143	1	Optic Switch Assembly

Magnetic Main Door Cold Rolled Steel Assembly



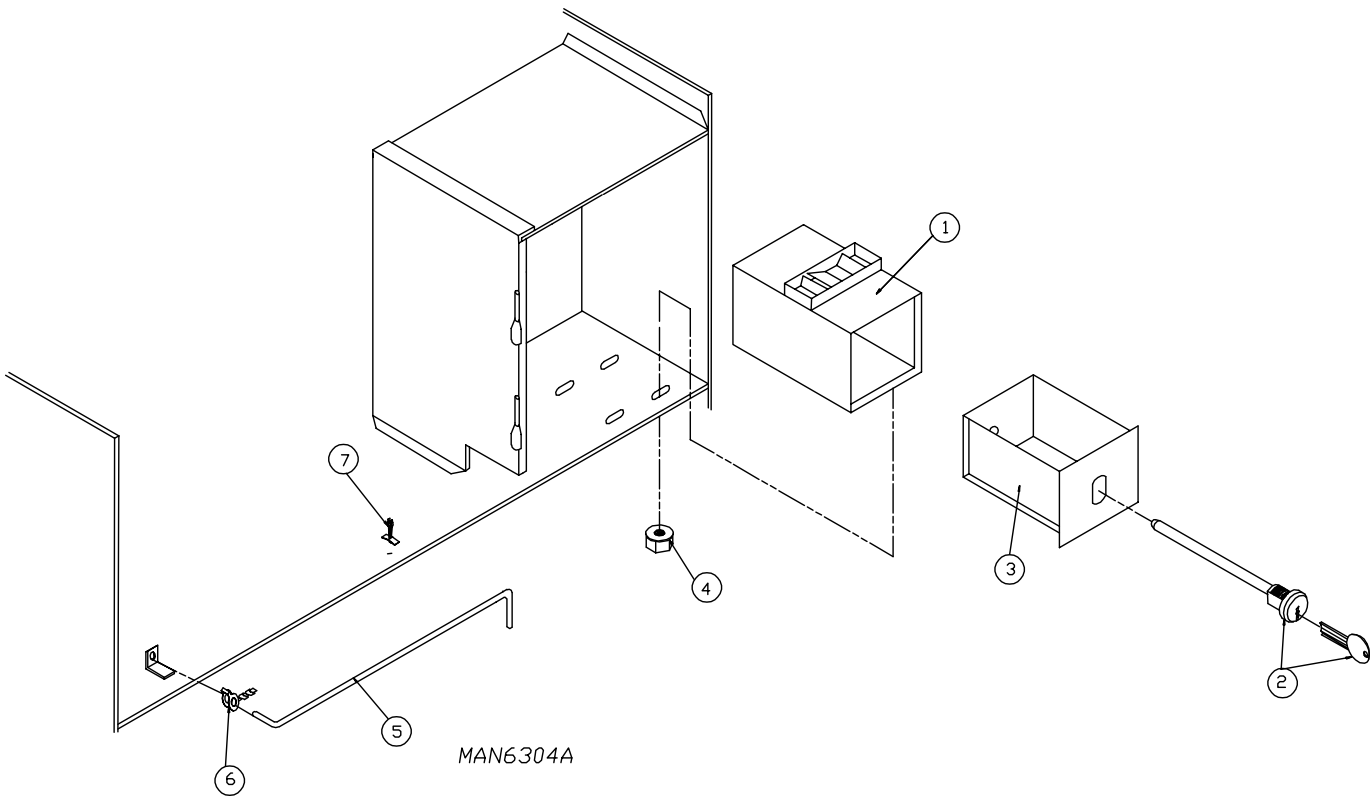
<u>Illus. No.</u>	<u>Part No.</u>	<u>Qty.</u>	<u>Description</u>
1	822661	1	Magnetic Black Main Door Assembly Complete (includes illus. nos. 1 through 9)
2	110006	1	1/2" Black Strapping Tape
3	851033	1	Cold Rolled Steel Main Door Hinge
4	102354	1	Door Gasket
5	150683	6	1/4-20 x 5/8" Carriage Bolt
6	102224	1	Main Door Glass without Notch
	401055	1	Black Silicone ... Not Illustrated
7	152014	6	1/4-20 Hex Flange Nut
8	319298	2	31-1/4" Main Door Magnet Bracket
9	170337	1	Cold Rolled Steel Main Door Handle

Coin Front Panel Assembly

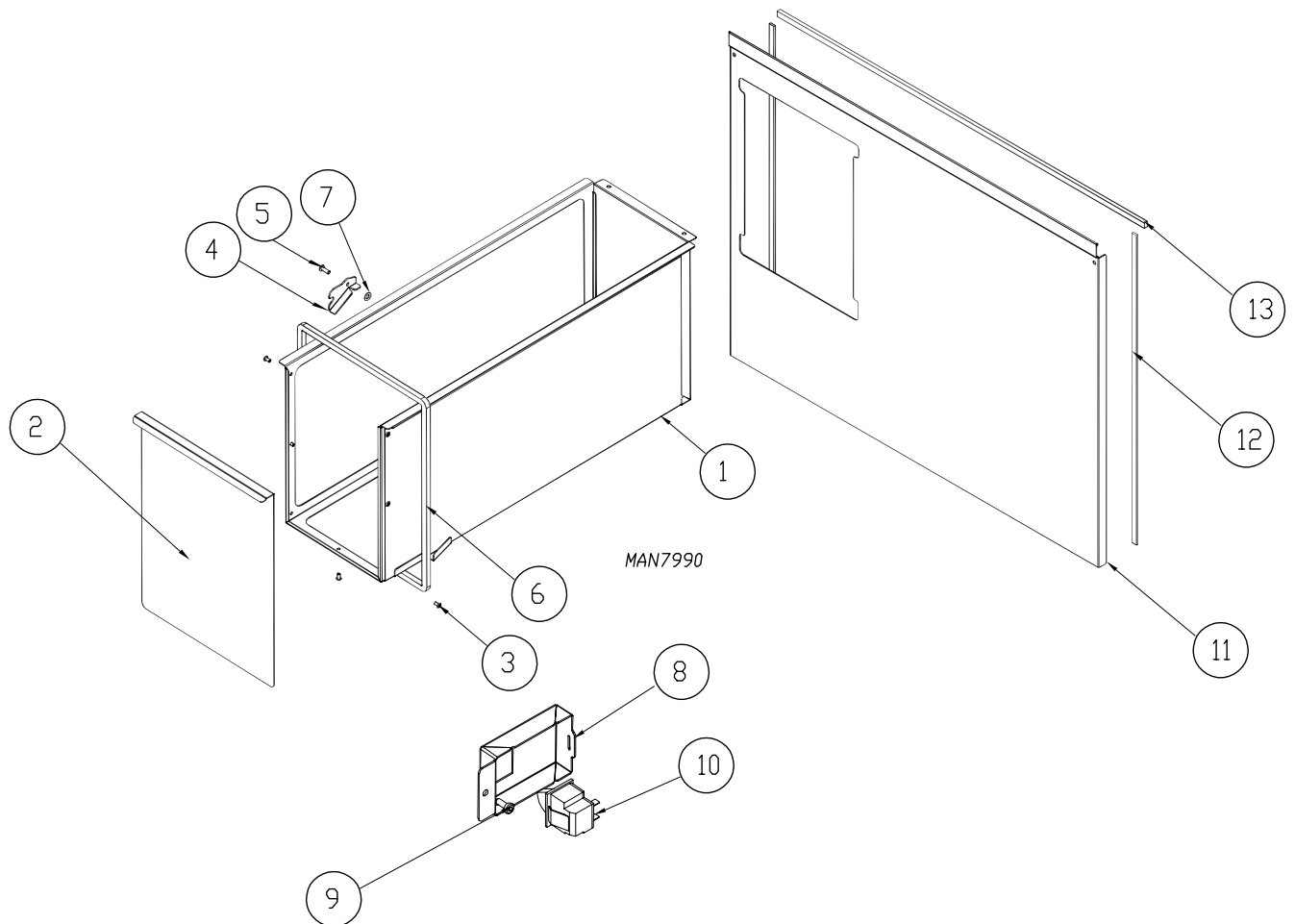


Illus. No.	Part No.	Qty.	Description
1	150006	2	Phillips Head Pan Screw
2	152013	2	Hex Nut
3	153010	2	Star Washer
4	137005	1	Door Switch
	800453	1	Door Switch Assembly (includes illus. nos. 1 through 4 and 6)
5	121028	2	Insulated Female Terminal
6	353162	1	Main Door Switch Housing
7	150201	2	Phillips Head TEK screw
8	800293	1	Top Hinge Block Assembly (includes screws)
9	800292	1	Bottom Hinge Block Assembly (includes screws)
10	812602	1	Magnet Front Panel
11	102004	2	Front Panel Magnet

Coin Vault Assembly

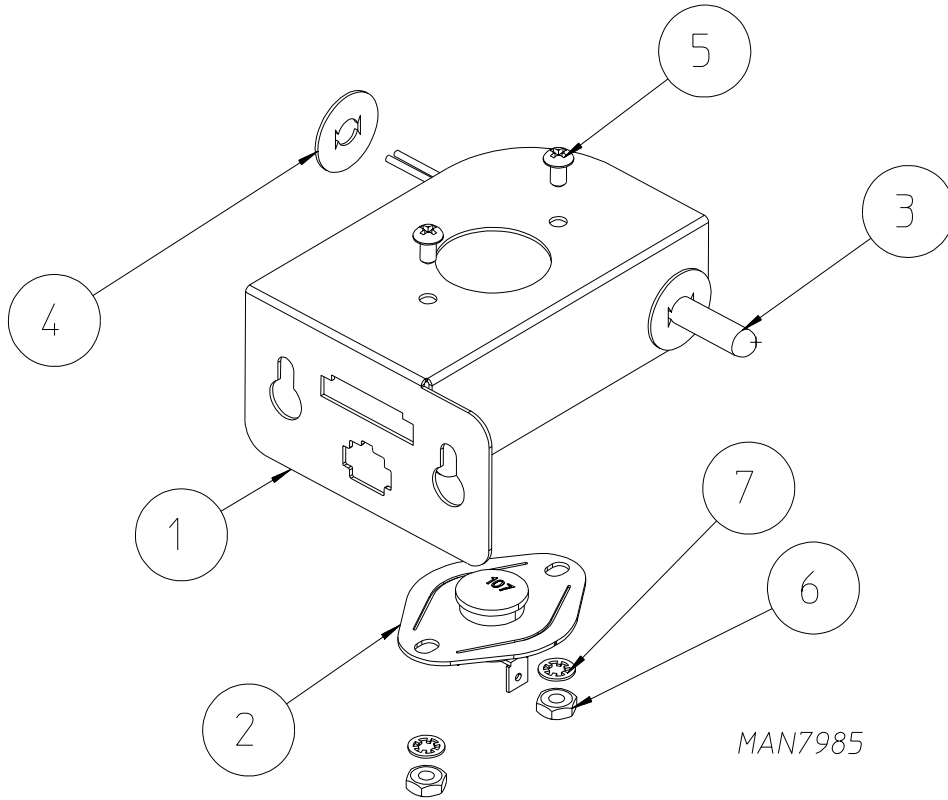


<u>Illus. No.</u>	<u>Part No.</u>	<u>Qty.</u>	<u>Description</u>
1	802139	1	Coin Vault
2	160022	1	Lock and Key
3	850996	1	Coin Box Assembly
4	152014	1	1/4-20 Free Spin Wash Nut
5	102502	1	Control Door Support Rod
6	102601	1	Support Rod Retaining Clip
7	102600	1	Support Rod Catch

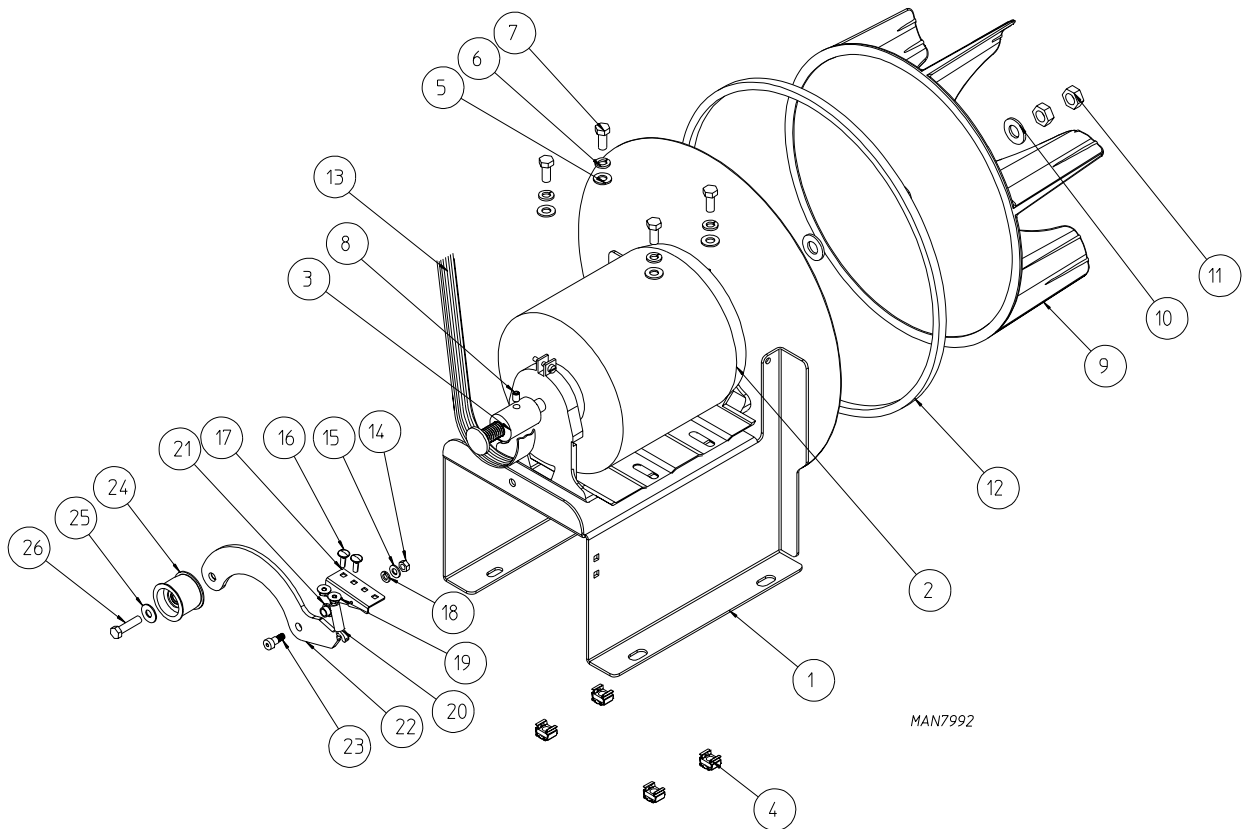


Illus. No.	Part No.	Qty.	Description
1	812618	1	Complete Lint Drawer Assembly
2	812617	1	Lint Drawer Handle
3	154211	7	5/32" Pop Rivet
4	345048	1	Lint Drawer Stop
5	154220	1	3/16" Pop Rivet
6	117617	3	Sponge Tape
7	153022	1	Flat Washer
8	312636	1	Lint Drawer Switch Bracket
9	150331	1	Pan Head TORX® Screw
10	122002	1	Lint Drawer Switch
11	812620	1	Drop Lint Door Assembly
12	117605	3	1/4" x 3/8" Neoprene Sponge Tape (sold by the foot)
13	117604	4	1/8" x 3/8" Neoprene Sponge Tape (sold by the foot)

Microprocessor Temperature Sensor Bracket Assembly



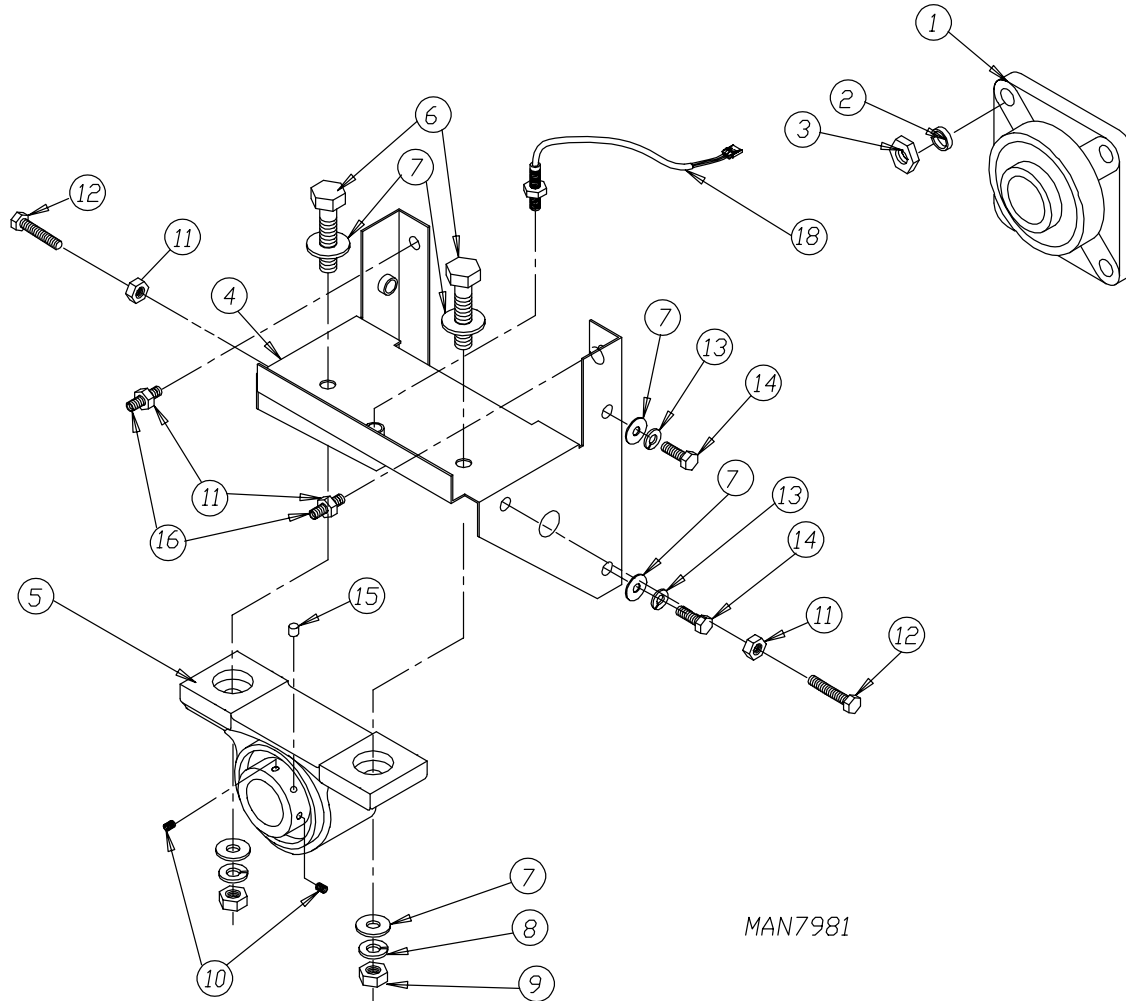
<u>Illus. No.</u>	<u>Part No.</u>	<u>Qty.</u>	<u>Description</u>
1	812630	1	Temperature Sensor Bracket Assembly (includes illus. nos. 1 through 7)
	322214	1	Bracket Only
2	130107	1	160° Auto Hi-Limit
3	880251	1	Temperature Sensor Assembly
4	154007	2	Push-On Fastener
5	150005	2	Phillips Head Screw
6	152000	2	Hex Nut
7	153010	2	Star Washer



MAN7992

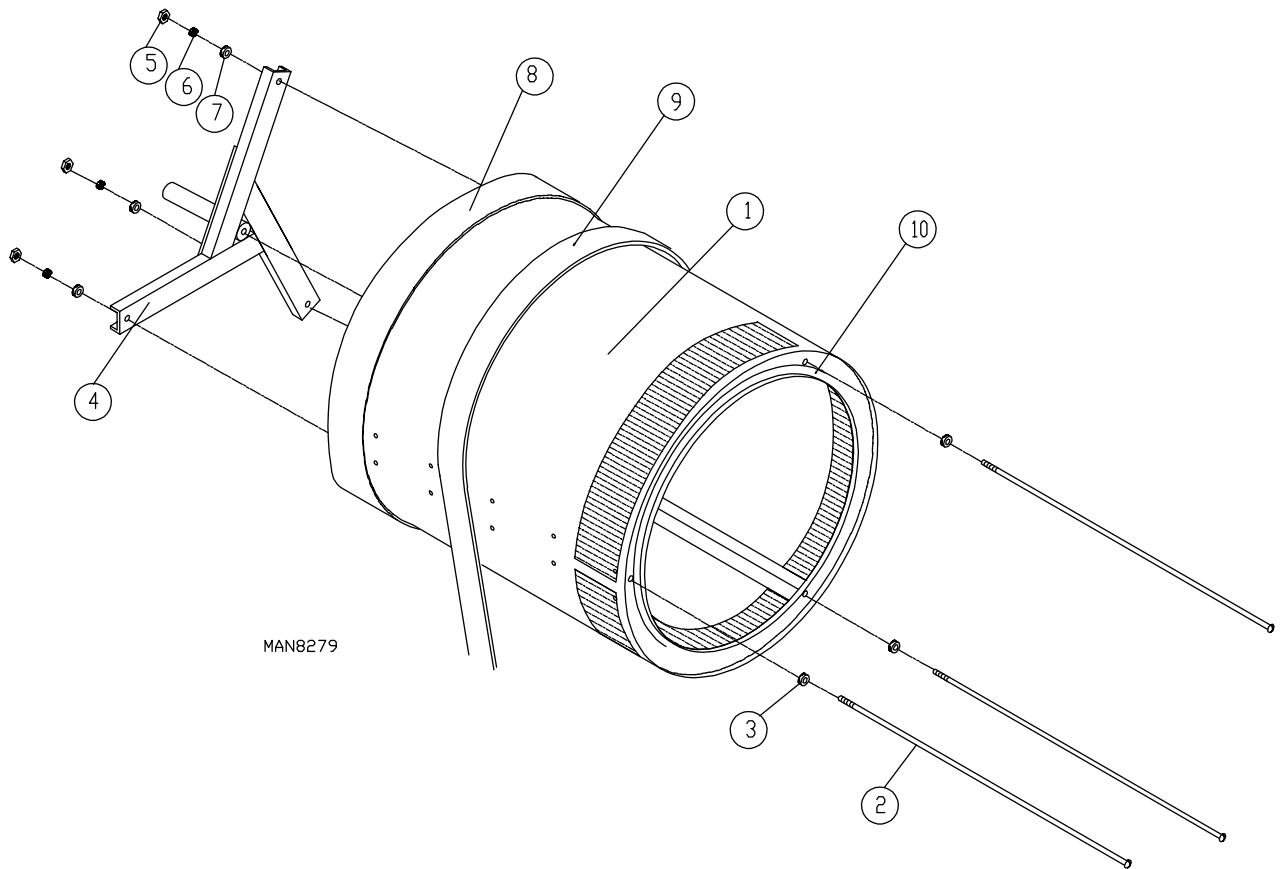
<u>Illus. No.</u>	<u>Part No.</u>	<u>Qty.</u>	<u>Description</u>
1	812611	1	Motor Mount Weldment
	812614	1	Motor Mount Assembly (includes illus. nos. 1 through 12)
2	181049	1	1/2 hp 120V 1Ø Motor
3	312649	1	60 Hz Sheave
4	154000	4	5/16" Tennerman Clip
5	153001	4	5/16" Flat Washer
6	153002	4	5/16" Lock Washer
7	150501	4	5/16" x 3/4" Machine Bolt
8	154327	1	.25-20 x .375 Setscrew
9	100604	1	12" Impellor
10	153050	2	1/2" Flat Washer
11	152006	2	1/2-20 L.H. Jam Nut
12	117617	4	Foam Tape
13	102423	1	Belt 110.75" Long
14	152004	1	5/16-18 Hex Nut
15	153001	1	5/16" Flat Washer
16	150683	2	.25-20 x .625 Carriage Bolt
17	312624	1	Idler Tension Bracket
18	153002	1	5/16" Lock Washer
19	152014	2	1/4-20 Hex Nut
20	157010	1	1.875 Ext. Spring
21	121352	1	.365 x .375 ID Bushing
22	812612	1	Idler Arm Weldment
23	154266	1	3/8" x 3/8" Shoulder Bolt
24	100250	1	Back Side Idler
25	153004	1	3/8" Flat Washer
26	150600	1	3/8-16 x 1-1/2 Machine Bolt

Tumbler Bearing Assembly



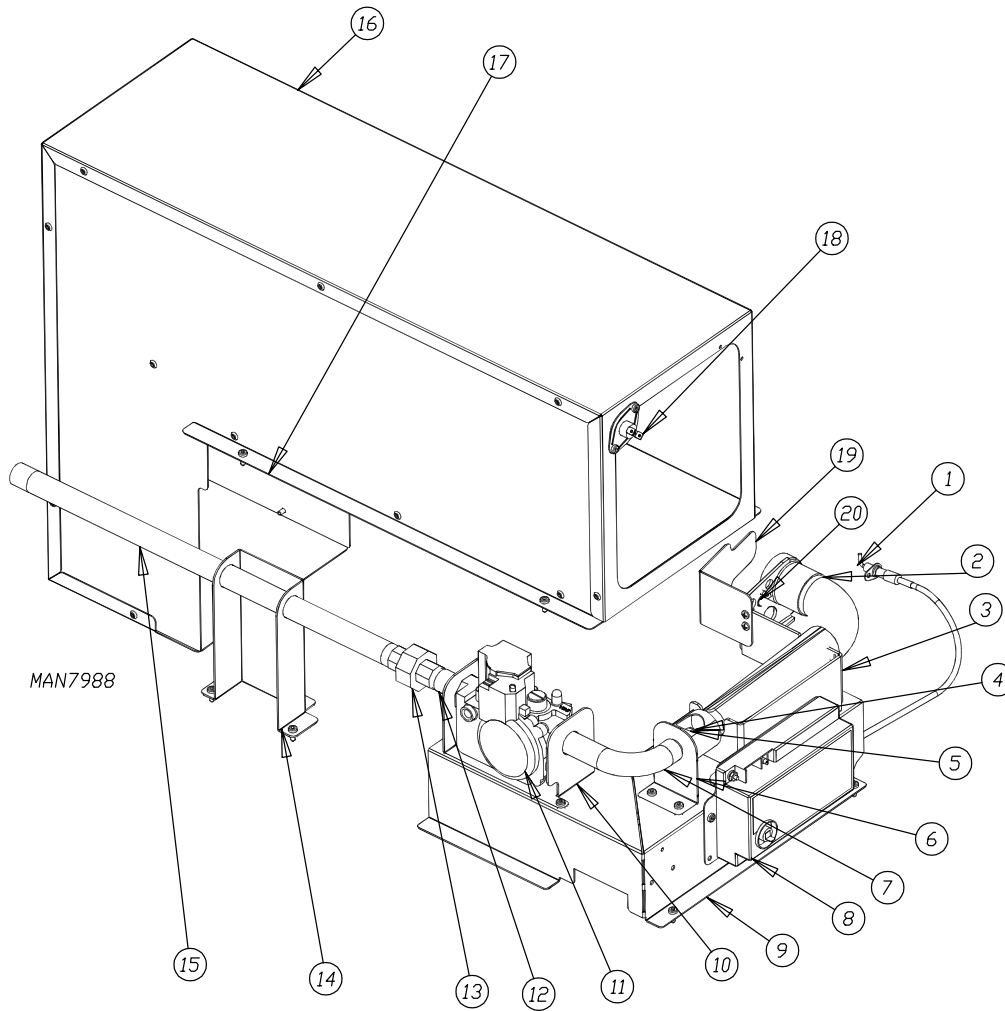
MAN7981

Illus. No.	Part No.	Qty.	Description
1	880203	1	1-3/8" Flange Bearing
2	153005	4	3/8" Split Lock Washer
3	152005	4	3/8-16 Hex Nut
4	800980	1	Tumbler Bearing Support
	800981	1	Tumbler Bearing Support Assembly Complete (includes illus. nos. 4 through 16)
5	880202	1	1-3/8" Pillow Block Bearing
	880779	1	1-3/8" Pillow Block Bearing (for models with rotation sensor)
6	150601	2	3/8-16 x 2" Hex Head Tap Bolt
7	153004	8	3/8" Flat Washer
8	153005	2	3/8" Lock Washer
9	152005	2	3/16" x 16" Hex Nut
10	154321	2	5/16-24 x 3/8" Allen Setscrew
11	152004	4	5/16-18 Hex Nut
12	150621	2	5/16-8 x 1-1/2" Hex Head Machine Bolt
13	153002	4	5/16 Lock Washer
14	150501	4	5/16-18 x 3/4"
15	170608	1	Magnet (for models with rotation sensor)
16	150610	2	5/16-18 x 1-1/2" Allen Setscrew

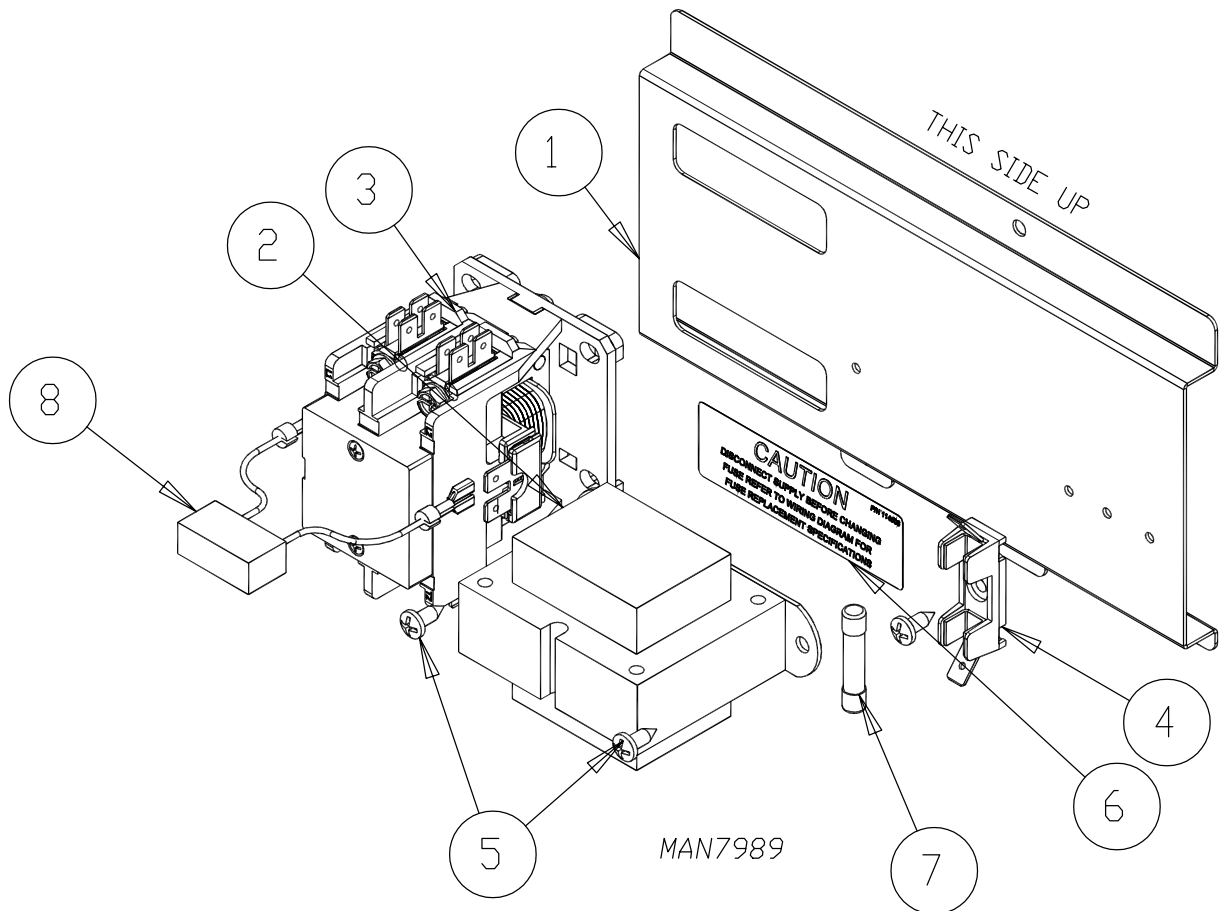


Illus. No.	Part No.	Qty.	Description
1	800844	1	Tumbler Support Assembly Complete with Felt Collars
	800718	1	Tumbler Only
2	100916	3	3/8-16 x 25" Tie Rod
3	153003	3	3/8" x 1-1/2" Fender Washer
4	850066	1	Trunnion
5	152027	3	3/8" Hex Nylon Insert
6	153005	3	3/8" Lock Washer
7	153004	3	3/8" Flat Washer
8	116003	1	Rear Tumbler Felt
9	102423	1	10 Rib Belt
10	115992	1	Front Tumbler Felt

Burner Box



<u>Illus. No.</u>	<u>Part No.</u>	<u>Qty.</u>	<u>Description</u>
1	128902	1	Ignitor with Noise Suppression Wire
2	141130	1	Burner Tube
3	312644	1	Burner Tube Bracket
4	140823	1	Natural Gas Burner Orifice Size #26
	140809	1	Liquid Propane Gas Burner Orifice Size #43
5	812625	1	Gas Module Mounting Plate
6	312651	1	Gas Manifold Bracket
7	141238	1	90 Degree Burner Manifold
8	887133	1	Direct Spark Ignition Module
9	312643	1	Gas Train Mounting Channel
10	312645	1	Gas Valve Mounting Bracket
11	128979	1	Redundant Gas Valve
12	142715	1	1/2" x 2" Nipple
13	142600	1	1/2" Black Union
14	312653	1	Gas Pipe Bracket
15	142800	1	1/2" x 18" Black Iron Pipe
16	812624	1	Burner Box Assembly
17	312642	1	Burner Box Bottom
	150331	10	T20 TORX® Screw
18	130403	1	Burner Hi-Limit
19	312652	1	Flame Spreader
20	128918	1	Flame Sensor



<u>Illus. No.</u>	<u>Part No.</u>	<u>Qty.</u>	<u>Description</u>
1	801982	1	Complete Electrical Panel 120V
	312647	1	Electrical Panel Only
2	801984	1	24V Transformer Assembly
3	132498	1	24V Transformer
4	136008	1	Fuse Holder
5	150301	1	#8-18 x 7/16 Phillips Pan Head TEK Screw
6	114506	1	Disconnect Power Label
7	136049	1	3/4 Amp Fuse
8	824828	1	RC Network Assembly

Additional Parts Available

<u>Part No.</u>	<u>Description</u>
312646	Rear Horizontal Guard
314408	Back Guard
828264	Drive Belt Seal Assembly

