



AD-27 Parts Manual

Slide Meter/Phase 5

Single Coin Microprocessor

1995 Thru 2001

American Dryer Corporation
88 Currant Road
Fall River, MA 02720-4781
Telephone: (508) 678-9000 / Fax: (508) 678-9447
E-mail: techsupport@amdry.com
www.amdry.com

Retain This Manual In A Safe Place For Future Reference

American Dryer Corporation products embody advanced concepts in engineering, design, and safety. If this product is properly maintained, it will provide many years of safe, efficient, and trouble-free operation.

ONLY qualified technicians should service this equipment.

OBSERVE ALL SAFETY PRECAUTIONS displayed on the equipment or specified in the installation manual included with the dryer.

The following “**FOR YOUR SAFETY**” caution **must be** posted near the dryer in a prominent location.

FOR YOUR SAFETY

Do not store or use gasoline or other flammable vapors or liquids in the vicinity of this or any other appliance.

POUR VOTRE SÉCURITÉ

Ne pas entreposer ni utiliser d'essence ni d'autres vapeurs ou liquides inflammables dans le voisinage de cet appareil ou de tout autre appareil.

We have tried to make this manual as complete as possible and hope you will find it useful. **ADC** reserves the right to make changes from time to time, without notice or obligation, in prices, specifications, colors, and material, and to change or discontinue models.

Important

For your convenience, log the following information:

DATE OF PURCHASE _____ **MODEL NO.** AD-27

RESELLER'S NAME _____

Serial Number(s) _____

Replacement parts can be obtained from your reseller or the **ADC** factory. When ordering replacement parts from the factory, you can FAX your order to **ADC** at (508) 678-9447 or telephone your order directly to the **ADC** Parts Department at (508) 678-9000. Please specify the dryer **model number** and **serial number** in addition to the **description** and **part number**, so that your order is processed accurately and promptly.

The illustrations on the following pages may not depict your particular dryer exactly. The illustrations are a composite of the various dryer models. Be sure to check the descriptions of the parts thoroughly before ordering.

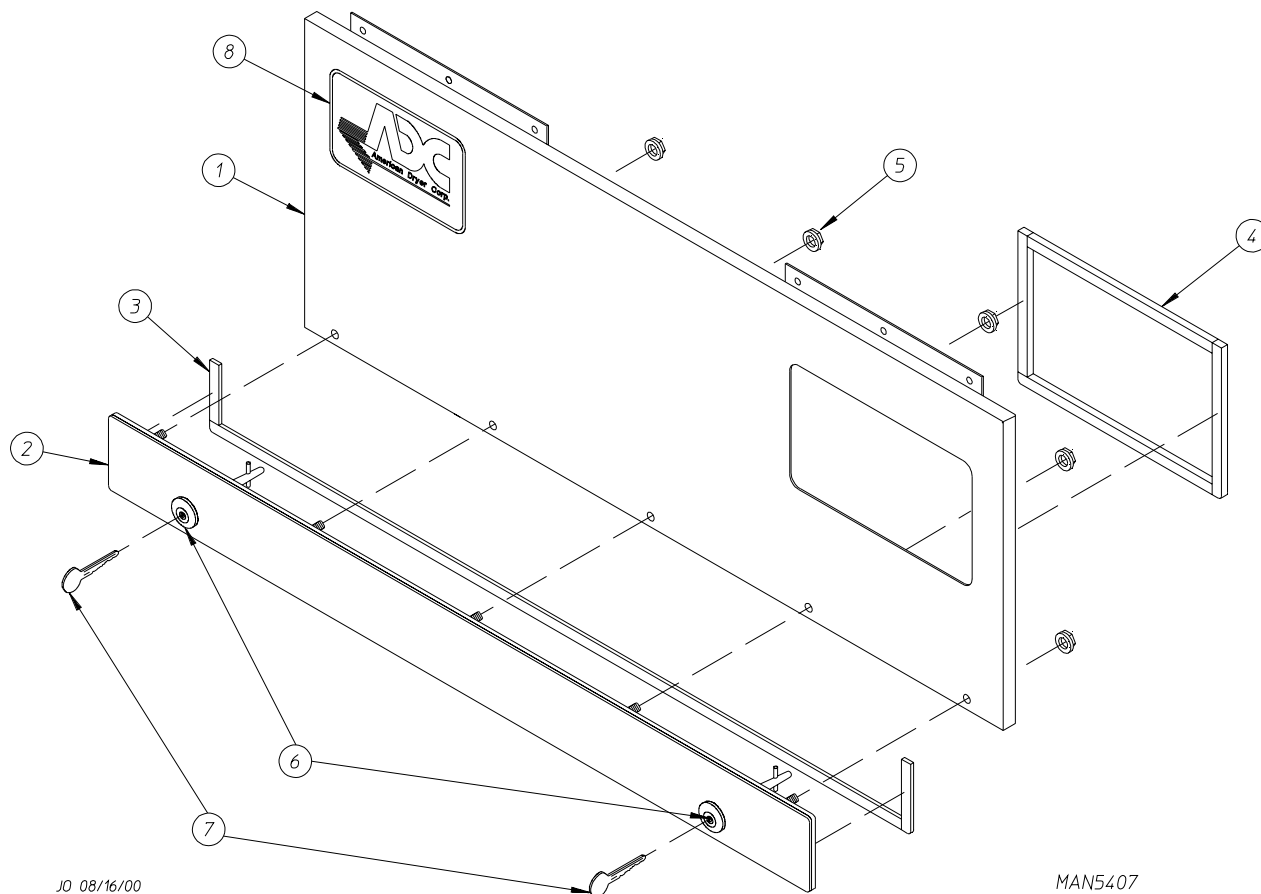
“IMPORTANT NOTE TO PURCHASER”

Information **must be** obtained from your local gas supplier on the instructions to be followed if the user smells gas. These instructions **must be** posted in a prominent location near the dryer.

Table of Contents

OPL and Coin Control Door Assembly	2
OPL and Coin Control Door Assembly	3
High Security Control Door Assembly	4
Slide Meter Case Assembly	5
Phase 5 Coin Microprocessor Control Panel Assembly	6
Phase 5 Coin Microprocessor Control Panel Assembly	7
Coin Vault Assembly	8
Phase 5 Coin and OPL Microprocessor Control Box Assembly	9
Main Door “Steel” Assembly	10
Plastic Main Door Assembly	11
Main Door Switch Assembly (Cold Rolled Steel [CRS] Type Door)	12
Plastic Main Door Switch Assembly	13
Cold Rolled Steel (CRS) Front Panel Assembly	14
Plastic Door Front Panel Assembly	15
Basket (Tumbler) Bearing Assembly (as of April 3, 2001)	16, 17
Basket (Tumbler) Bearing Assembly (prior to April 3, 2001)	18, 19
Basket (Tumbler)/Support Assemblies	20
Idler Bearing Assembly	21, 22
Lint Door Assembly (as of February 12, 2001)	23
Lint Door Assembly (prior to February 12, 2001)	24
Lint Trap Assembly	25
Sensor Bracket Assembly	26, 27
Totally Enclosed, Fan-Cooled (T.E.F.C.) Motor Mount Assembly	28, 29
Direct Spark Ignition (DSI) Burner Assembly For Models without Shutoff	30, 31
Direct Spark Ignition (DSI) Burner Assembly	32, 33
Sail Switch/ Hi-Limit Assembly	34
Single-Phase (1 ϕ) Motor, Electric Relay Panel Assembly	35
Outer Top/Back Guard Assemblies	36
Additional Parts Available	37

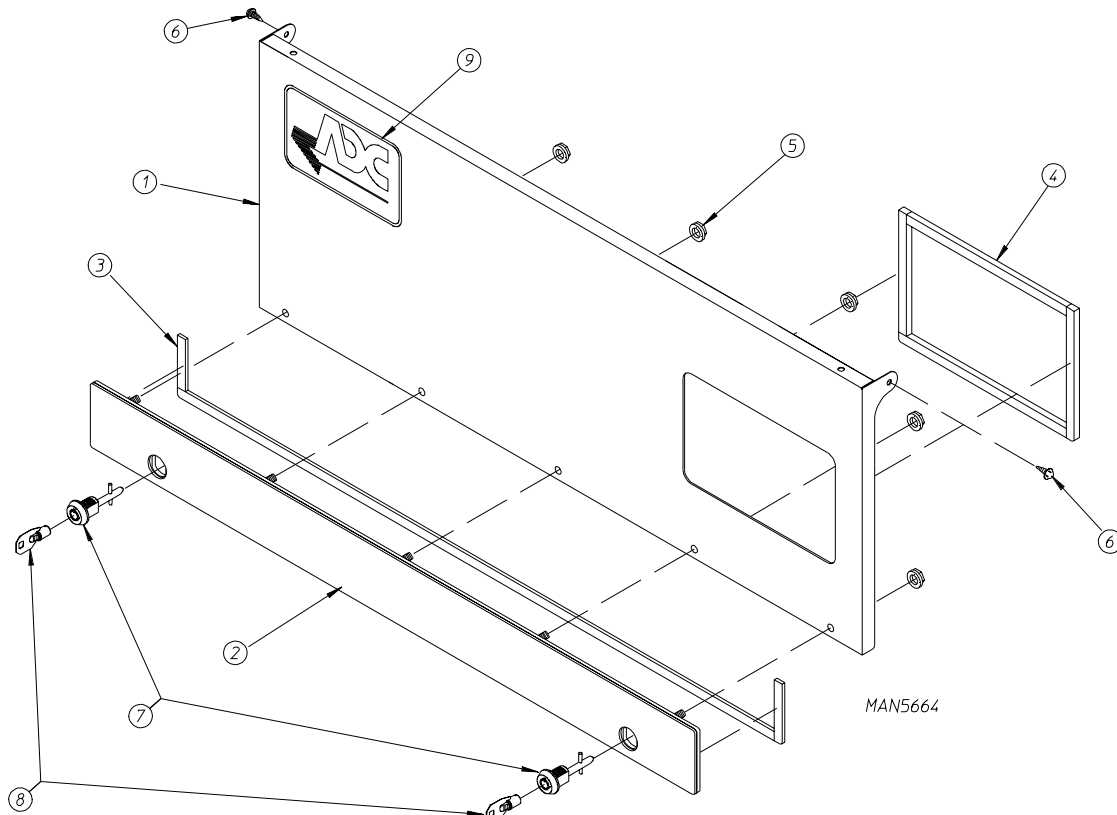
For Models Mfd. as of March 20, 2001



<u>Illus. No.</u>	<u>Part No.</u>	<u>Qty.</u>	<u>Description</u>
1	883100*	1	Control Door with Cold Rolled Steel (CRS) Trim with Hinge (includes illus. nos. 1 through 5)
	883103*	1	Slide Meter Control Door with Cold Rolled Steel (CRS) Trim and Hinge (includes illus. nos. 1 through 5)
2	802514		Cold Rolled Steel (CRS) Control Door Trim
3	117604	3	1/8" x 3/8" Neoprene Sponge Tape
4	117604	2	1/8" x 3/8" Neoprene Sponge Tape
5	152014	5	1/4-20 Free Spin Wash Nut
6	160040	2	XX4451 Lock ONLY
7	160140	2	XX4451 Key ONLY
8	881053	1	ADC Logo with Adhesive Tape

* Specify color when ordering.

For Models Mfd. Between February 12, 2001 and March 20, 2001

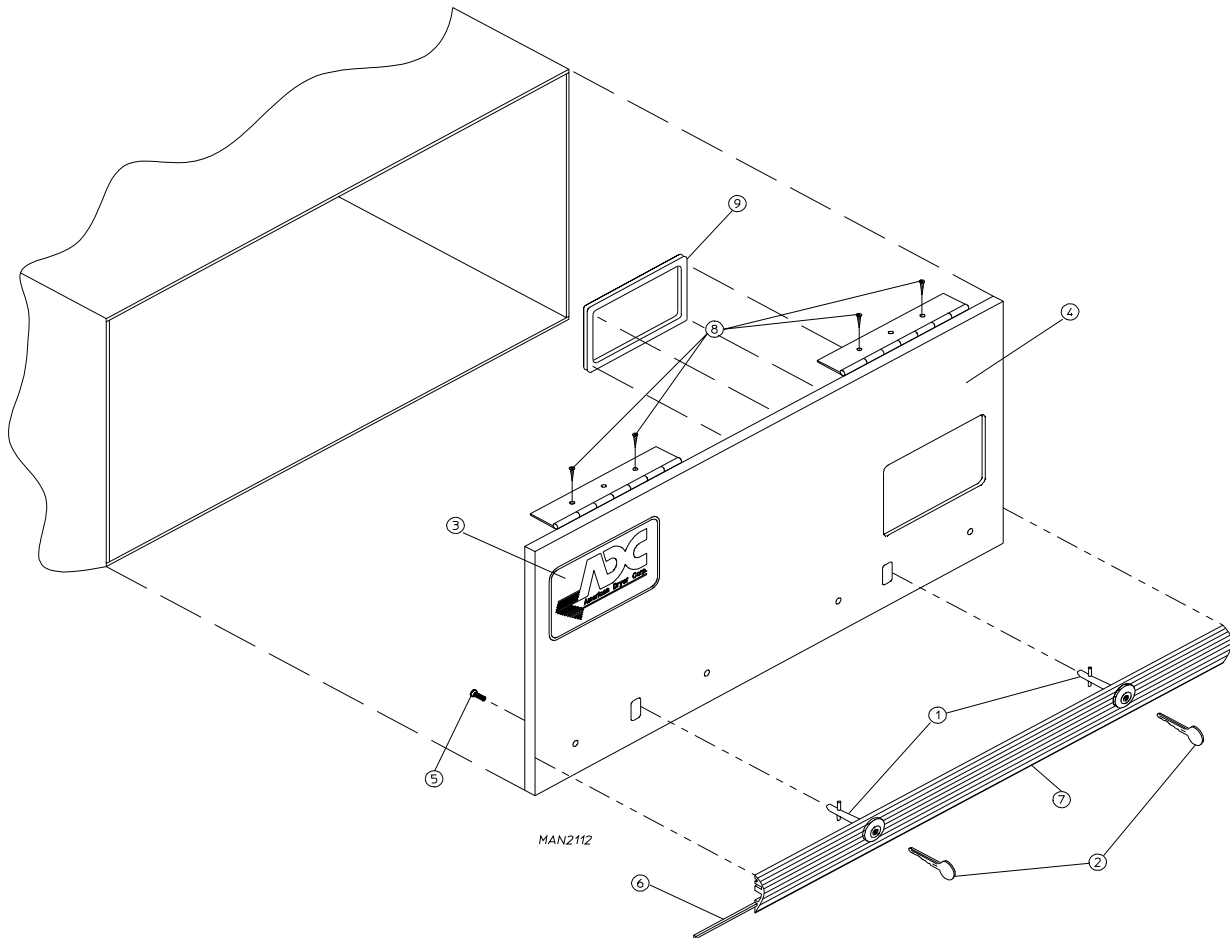


MFM 03/06/01

<u>Illus. No.</u>	<u>Part No.</u>	<u>Qty.</u>	<u>Description</u>
1	883099**	1	OPL and Coin Control Door without Locks (includes illus. nos. 1 through 5)
	883102**	1	Slide Meter Control Door without Locks (includes illus. nos. 1 through 5)
2	802514	1	Control Door Trim (cold rolled steel [CRS])
3	117604	3	1/8" x 3/8" Neoprene Sponge Tape
4	117604	2	1/8" x 3/8" Neoprene Sponge Tape
5	152014	5	1/4-20 Free Spin Wash Nut
6	150420	2	#10-16 x 5/8" TEK-3 Tamperproof Screw
7	160040	2	XX4451 Lock ONLY
8	160140	*	XX4451 Key ONLY
9	881053	1	ADC Logo with Adhesive Tape

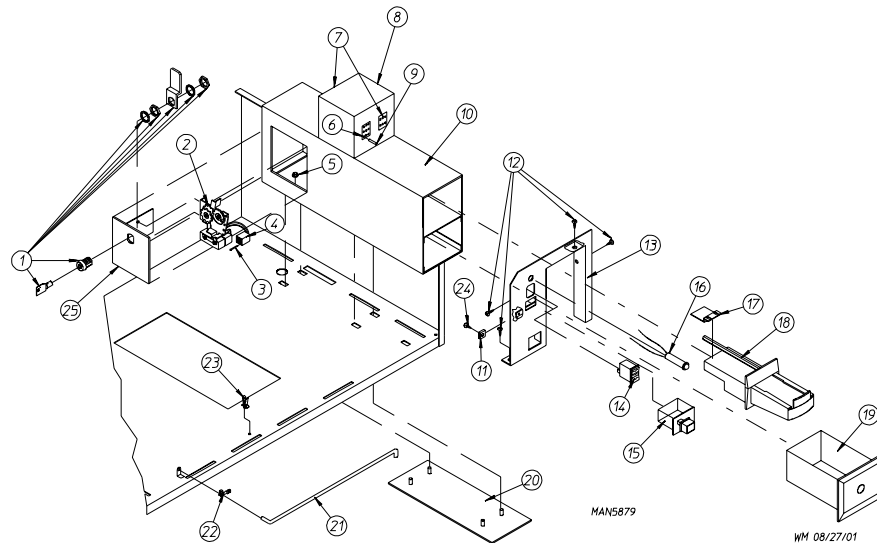
* As required.

** Specify color when ordering.



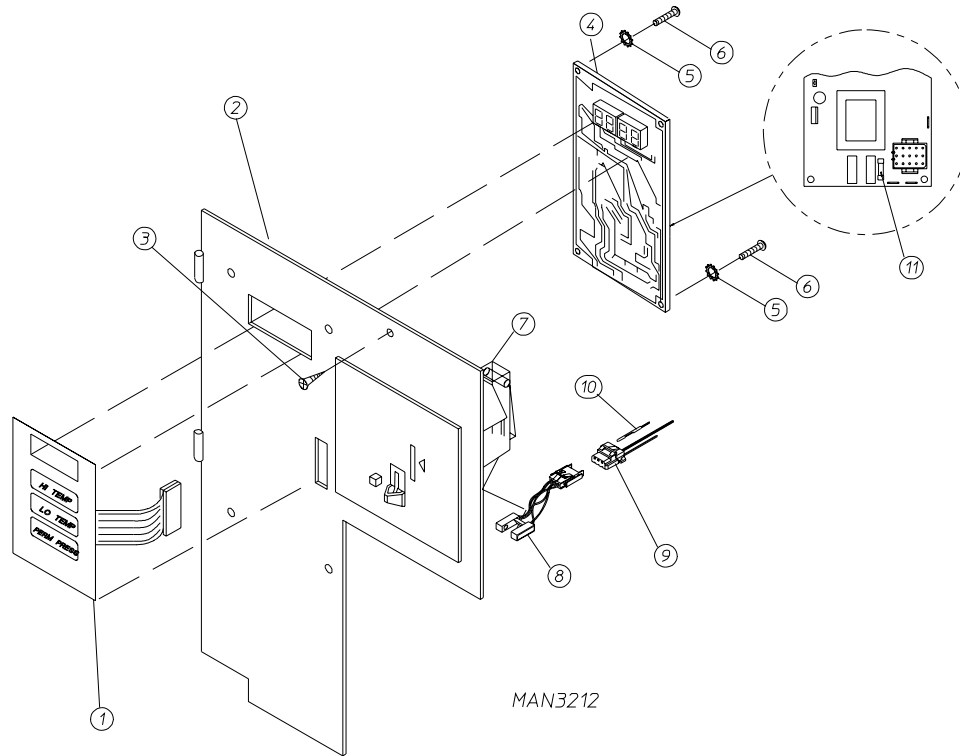
<u>Illus. No.</u>	<u>Part No.</u>	<u>Qty.</u>	<u>Description</u>
1	160040	2	High Security Control Door Lock ONLY (keyed XX4451)
2	160140	2	Key ONLY For High Security Control Door Lock (keyed XX4451)
3	881053	1	ADC Logo with Tape
	870011	1	Double Sided Tape Kit
4*	881137	1	Control Door Assembly Complete For Models Mfd. with Slide Meter Controls ONLY (includes illus. nos. 4 through 7 and 9)
	882771	1	Microprocessor Control Door Assembly Complete For Models Mfd. with Microprocessor Controls ONLY (includes illus. nos. 4 through 7 and 9)
5	150201	4	#10-32 x 1/4" Phillips Round Head Machine Screw
6	117603	3	Suppressor Tape/Gasket (sold by the foot)
7	180206	1	Gray Top Trim with 2 Lock Holes
8	150420	6	#10-16 x 5/8" TEK-3 Tamperproof Screw
	150421	1	Tamperproof Screw Hand Driver
9	117603	1	Suppressor Tape/Gasket (sold by the foot)

* Specify color when ordering.



<u>Illus. No.</u>	<u>Part No.</u>	<u>Qty.</u>	<u>Description</u>
1	160099	1	Lock/Key/Cam and Hardware (keyed GR100)
	160199	1	Key ONLY For Slide Meter Lock (keyed GR100)
2	125908	1	Slide Meter Accumulator 24 VAC (specify timing)
	125905	1	Slide Meter - 24 VAC/50 Hz
3	122643	9	Pin ONLY
4	122642	1	9-Position Mini-Universal Socket
5	152014	4	1/4-20 Free Spin Washer
6	122603	1	9-Position Connector (mate-n-lock)
7	122631	2	6-Position Connector (mate-n-lock)
8	881100	1	Slide Meter Modular J-Box
9	122701	21	Socket Terminal ONLY
10	125900	1	Slide Meter Case ONLY with Door Less Lock
11	154001	2	#10-24 Speed Nut
12	150300	4	#10 x 1/2" Hex Head TEK Screw
13	881015	1	Chute Meter Faceplate Complete (includes illus. nos. 11 and 13 through 16)
	880937	1	Chute Meter Faceplate ONLY
14	122400	1	Rocker Heat Selector Switch
15	131917	1	Push to Start Relay - 24 VAC
16	123005	1	Red Indicator Light - 24 VAC
17	883044	1	Slide Meter Extension (white)
	883045	1	Slide Meter Extension (coral blue)
	883046	1	Slide Meter Extension (ivory)
18	-----	1	Typical Slide Meter Coin Chute (not available from ADC)
19	-----	1	Coin Box Assembly (not available from ADC)
20	801701	1	Slide Meter Case Mounting Plate
21	102503	1	Control Door Support Rod
22	102601	1	Control Door Support Rod Retainer Clip
23	102603	1	Control Door Support Rod Catch
24	150207	2	#10-24 x 1/2" Round Head Machine Screw
25	883037	1	White Slide Meter Timer Door

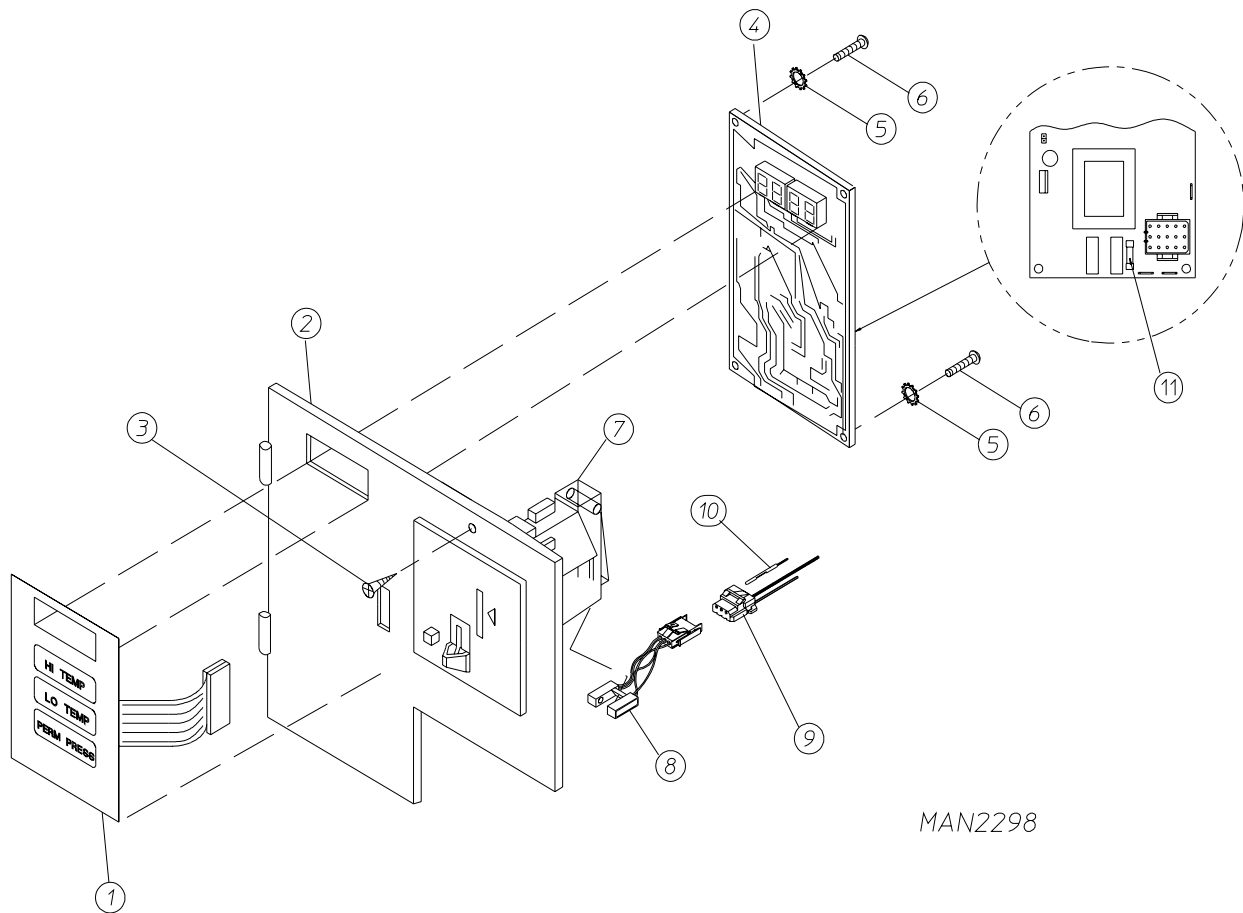
For Models Mfd. as of March 12, 2001



<u>Illus. No.</u>	<u>Part No.</u>	<u>Qty.</u>	<u>Description</u>
1	112526	1	Coin Keyboard Label Assembly
2	881506	1	Coin Control Panel Assembly Less Acceptor (includes illus. nos. 1, 2, 4, 5, 6, and 11)
	881507	1	Coin Control Panel Assembly with Battery Bracket Less Acceptor (includes illus. nos. 1, 2, 4, 5, 6, and 11)
	881540	1	Coin Control Panel ONLY
	881430	1	Coin Control Panel with Battery Bracket ONLY
3	150309	1	#10-16 x 1/2" Hex Head TEK Crimptite Screw
4	137213	1	Phase 5 Coin Controller ONLY
	824998	1	Phase 5 Battery Clip
5	153010	2	#6 Star Washer
6	150005	2	#6-32 x 1/4" Phillips Round Head Machine Screw
7	-----	1	Microprocessor Coin Acceptor with Optical Switch
8	137056	1*	Optic Switch ONLY
9	137023	1*	Optic Switch Connector ONLY
10	137021	3*	Microprocessor Socket ONLY
	880772	1	Single Coin Optical Switch Harness
	824080	1	Dual Coin Optical Switch Harness
	122800	1	Microprocessor (female) Pin Extraction Tool
11	136048	1	1/8-Amp (slo blo) Fuse ONLY

* For dual coin models, double the quantity.

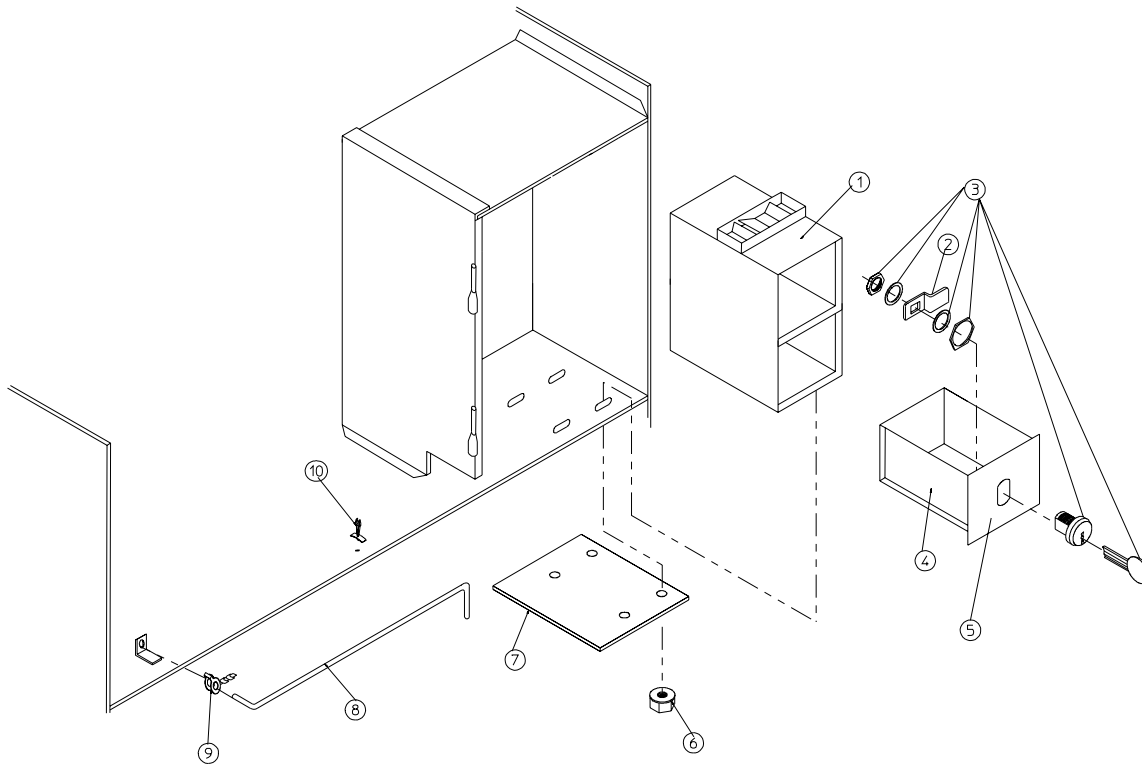
For Models Mfd. prior to March 12, 2001



MAN2298

<u>Illus. No.</u>	<u>Part No.</u>	<u>Qty.</u>	<u>Description</u>
1	112526	1	Coin Keyboard Label Assembly
2	880959	1	Phase 5 Coin Microprocessor Control Panel Assembly (includes illus. nos. 1, 2, 4, 5, 6, and 11)
	880958	1	Coin Control Panel ONLY
3	150309	1	#10-16 x 1/2" Hex Head TEK Crimptite Screw
4	137213	1	Phase 5 Coin Microprocessor Controller (computer) ONLY
	824998	1	Phase 5 Battery Clip
5	153010	2	#6 Star Washer
6	150005	2	#6-32 x 1/4" Phillips Round Head Machine Screw
7	-----	1	Microprocessor Coin Acceptor with Optical Switch
8	137056	1	Optical Switch ONLY
9	137023	1	Optical Switch Connector ONLY
10	137021	3	Microprocessor Socket ONLY
--	880772	1	Single Coin Optic Switch Harness
--	824080	1	Dual Coin Optic Switch Harness
--	122800	1	Microprocessor (female) Pin Extraction Tool
11	136048	1	1/8-Amp (slo blo) Fuse ONLY

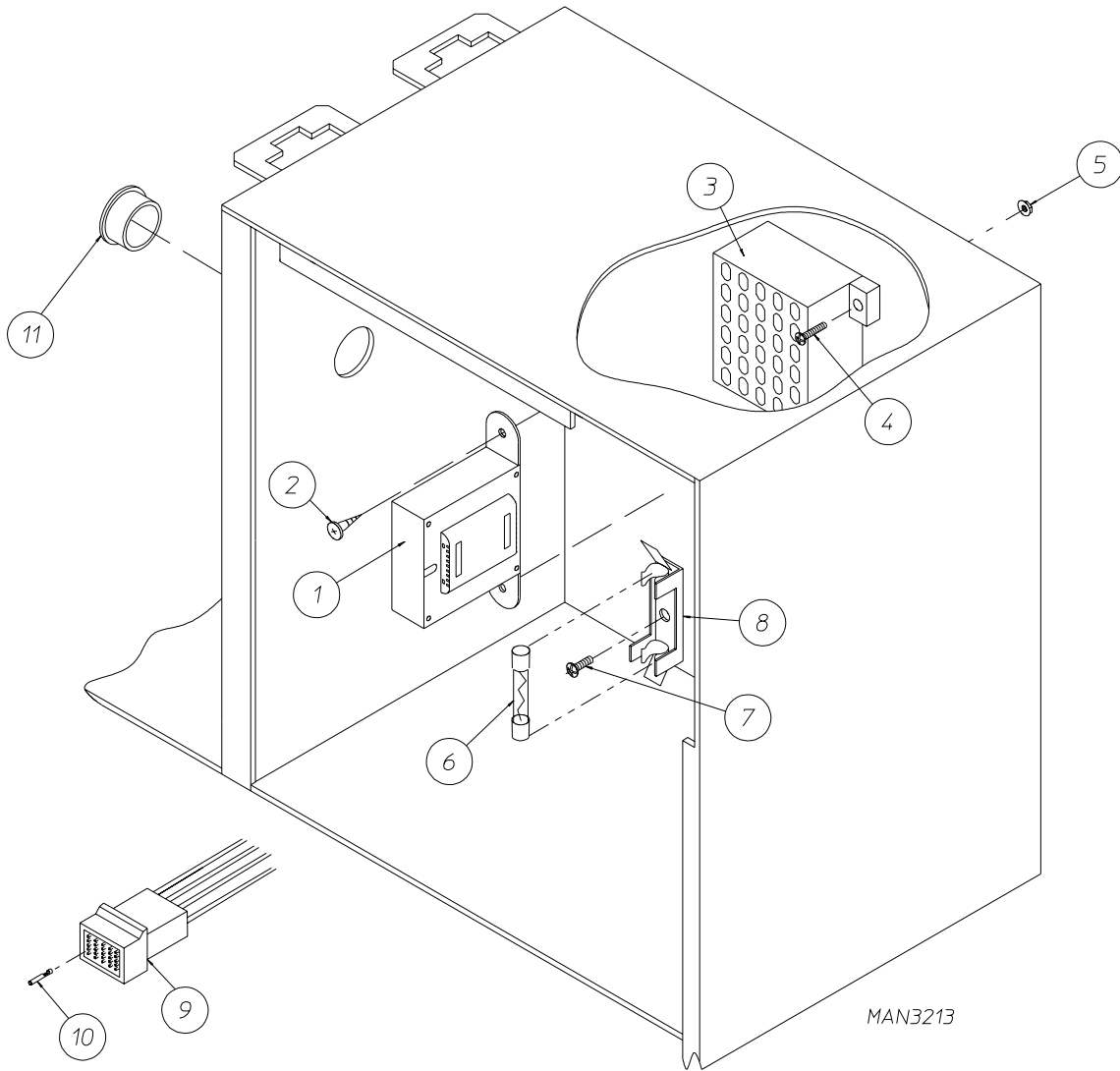
IMPORTANT: Check label on computer chip to verify correct part number for microprocessor controller.



MAN0136

<u>Illus. No.</u>	<u>Part No.</u>	<u>Qty.</u>	<u>Description</u>
1	881431	1	Microprocessor Coin Vault Assembly Complete (includes illus. nos. 1 through 6)
	802121	1	Microprocessor Coin Vault ONLY
2	160006	1	Cam For 1/4-Turn Lock ONLY
3	875061	1	1/4-Turn Lock Assembly (includes illus. nos. 2 and 3)
	160105*	1	1/4-Turn Mer-Pel Key ONLY
4	802020	1	1/4-Turn Coin Box Assembly (includes illus. nos. 2 through 5)
	802019	1	1/4-Turn Coin Box ONLY without Faceplate
5	802018	1	1/4-Turn Coin Box Faceplate ONLY
6	152014	4	1/4-20 Free Spin Wash Nut
7	309250	1	Coin Vault Slot Cover
8	102503	1	Control Door Support Rod
9	102601	1	Control Door Rod Retainer Clip
10	102603	1	Control Door Support Rod Catch

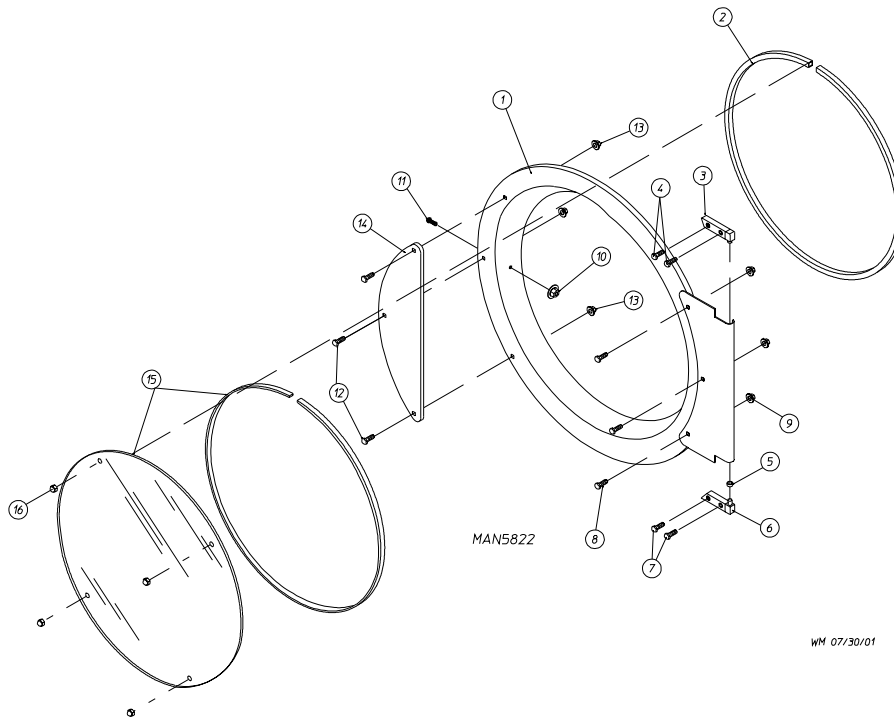
* Specify key number when ordering.



<u>Illus. No.</u>	<u>Part No.</u>	<u>Qty.</u>	<u>Description</u>
1	141403	1	Step Down Transformer (24 VAC)
2	150300	2	#10-16 x 1/2" Hex Washer TEK Screw
3	120715	1	30-Position Terminal Block
4	150002	2	#6-32 x 1" Slotted Round Head Machine Screw
5	151000	2	#6-32 Pal Nut
6	136057	*	1/2-Amp (slo blo) Fuse
7	150411	*	#8-18 x 3/8" Phillips Pan Head Screw
8	136008	*	Fuse Block/Strip ONLY
9	122641	1	15-Pin Microprocessor Connector
10	122706	*	Socket Terminal ONLY
11	121400	1	7/8" Universal Bushing

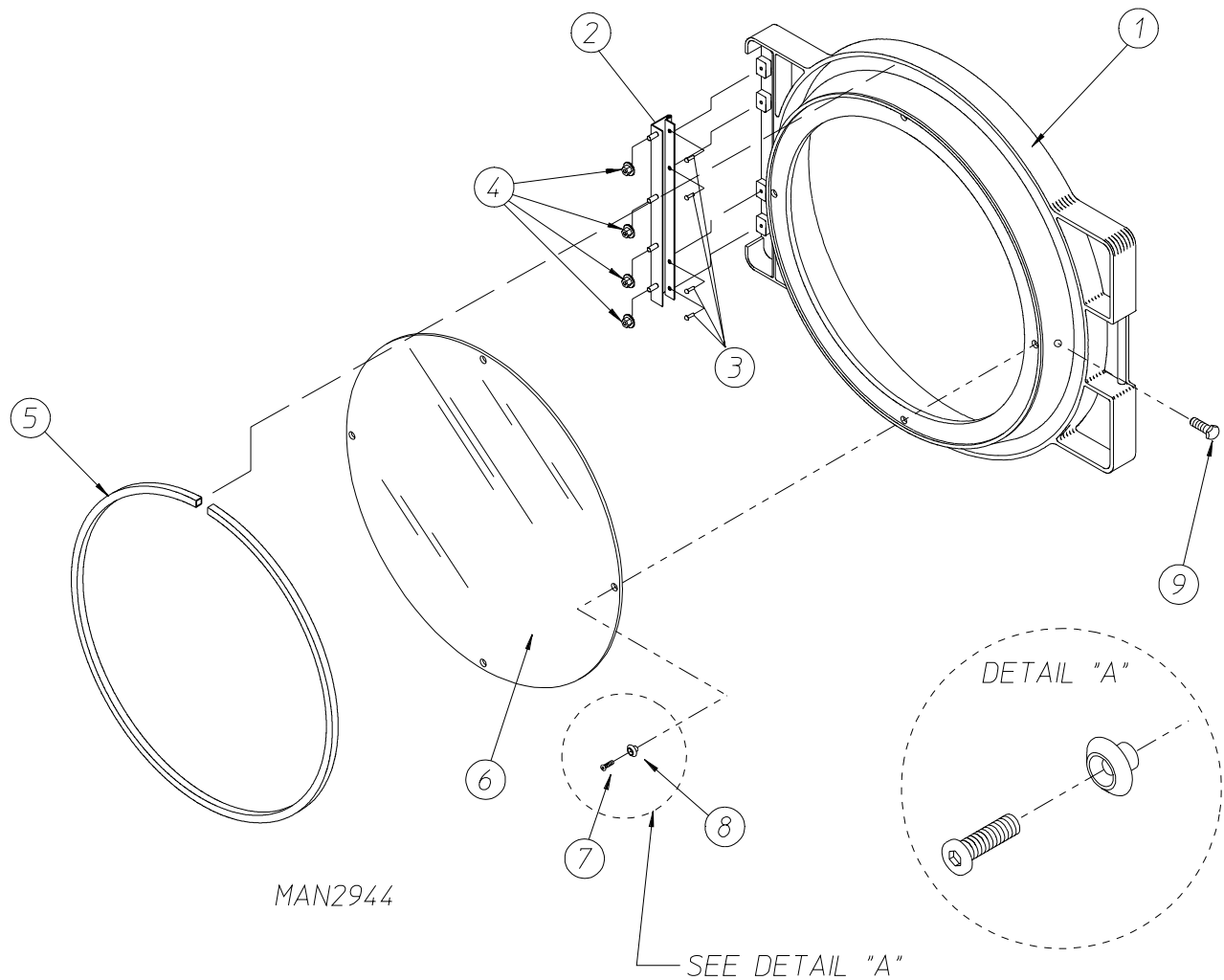
* As required.

For Models Mfd. as of February 12, 2001



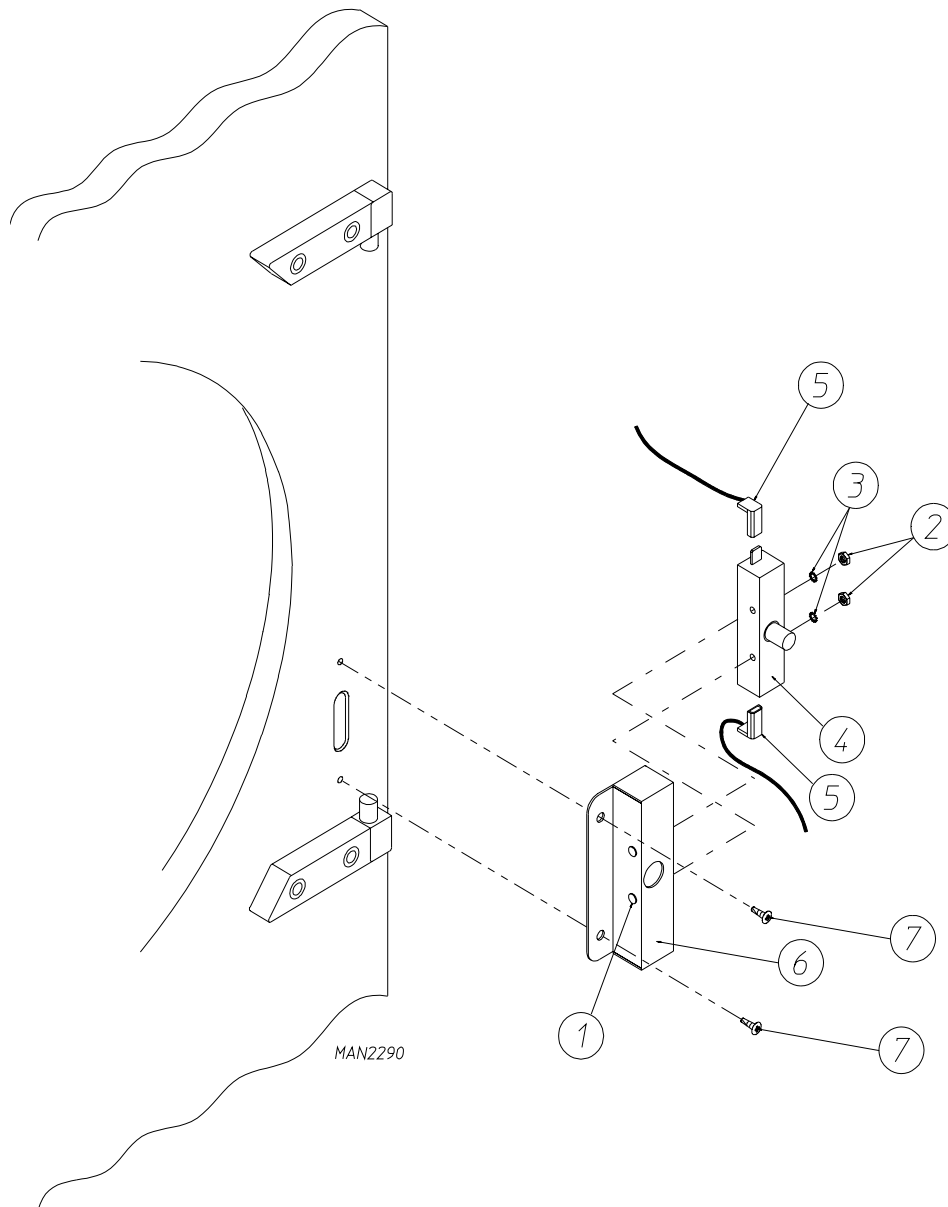
<u>Illus. No.</u>	<u>Part No.</u>	<u>Qty.</u>	<u>Description</u>
1	881150	1	Black Main Door Assembly Complete (includes illus. nos. 1, 2, and 8 through 15)
2	102354	1	Door Gasket
	170730	1	Clear Glass Adhesive (10.3 oz. cartridge)
	170731	1	Black Glass Adhesive (10.3 oz. cartridge)
3	881152	1	Black Top Hinge Block Assembly (includes illus. nos. 3 and 4)
4	150445	2	1/4-20 x 3/4" Black Cap Head Setscrew
5	153031	1	1/4" Nylon Washer
6	881151	1	Black Bottom Hinge Block Assembly (includes illus. nos. 5, 6, and 7)
7	150445	2	1/4-20 x 3/4" Black Cap Head Setscrew
	150443	2	1/4-20 x 3/4" Stainless Steel Cap Head Setscrew
8	150683	3	1/4-20 x 5/8" Black Carriage Bolt
9	152014	3	1/4-20 Free Spin Wash Nut
10	151010	1	#10-32 Black Hex Acorn Nut
11	150120	1	Door Latch Screw
12	150683	3	1/4-20 x 5/8" Black Carriage Bolt
13	152014	3	1/4-20 Free Spin Wash Nut
14	881210	1	Black Main Door Handle ONLY
15	102218	1	20-7/16" Door Glass with Four (4) Holes for Mechanical Fasteners
	102360	1	Glass/Door Gasket Tape
	102211	1	Door Glass with Notch (for cold rolled steel [CRS] door without mechanical fasteners)
	170731	1	Black Glass Adhesive (10.3 oz. cartridge)
16	151013	4	#10-32 Black Nylon Acorn Nut

For Models Mfd. prior to February 12, 2001



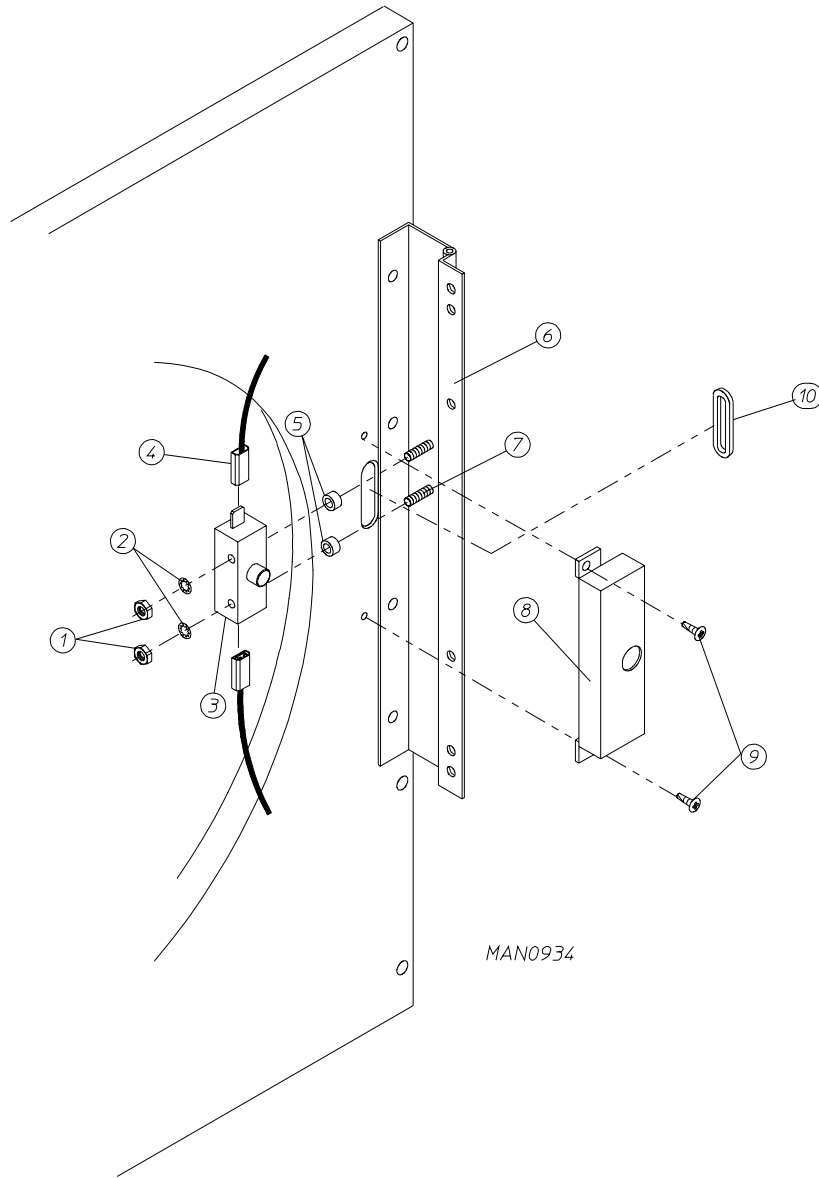
<u>Illus. No.</u>	<u>Part No.</u>	<u>Qty.</u>	<u>Description</u>
1	881421	1	Gray Plastic Main Door Assembly Complete with Mechanical Fasteners (includes illus. nos. 1 and 5 through 9)
2	800448	1	12-1/2" Stainless Steel Main Door Hinge Assembly
3	150410	4	#10-24 x 3/8" Phillips Pan Head Taptite Screw
4	152014	4	1/4-20 Free Spin Wash Nut
5	102349	1	Main Door Gasket
6	102212	1	20-7/16" Door Glass with Four (4) Holes
	170730	1	Main Door Glass Adhesive (10.3 oz. cartridge)
7	150448	4	1/2" Stainless Steel Flat Head Allen Screw
8	170319	4	Door Glass (nylon) Spacer
9	150431	1	Main Door Latch Screw (#10 x 7/16" dome hex head)

For Models Mfd. as of February 12, 2001



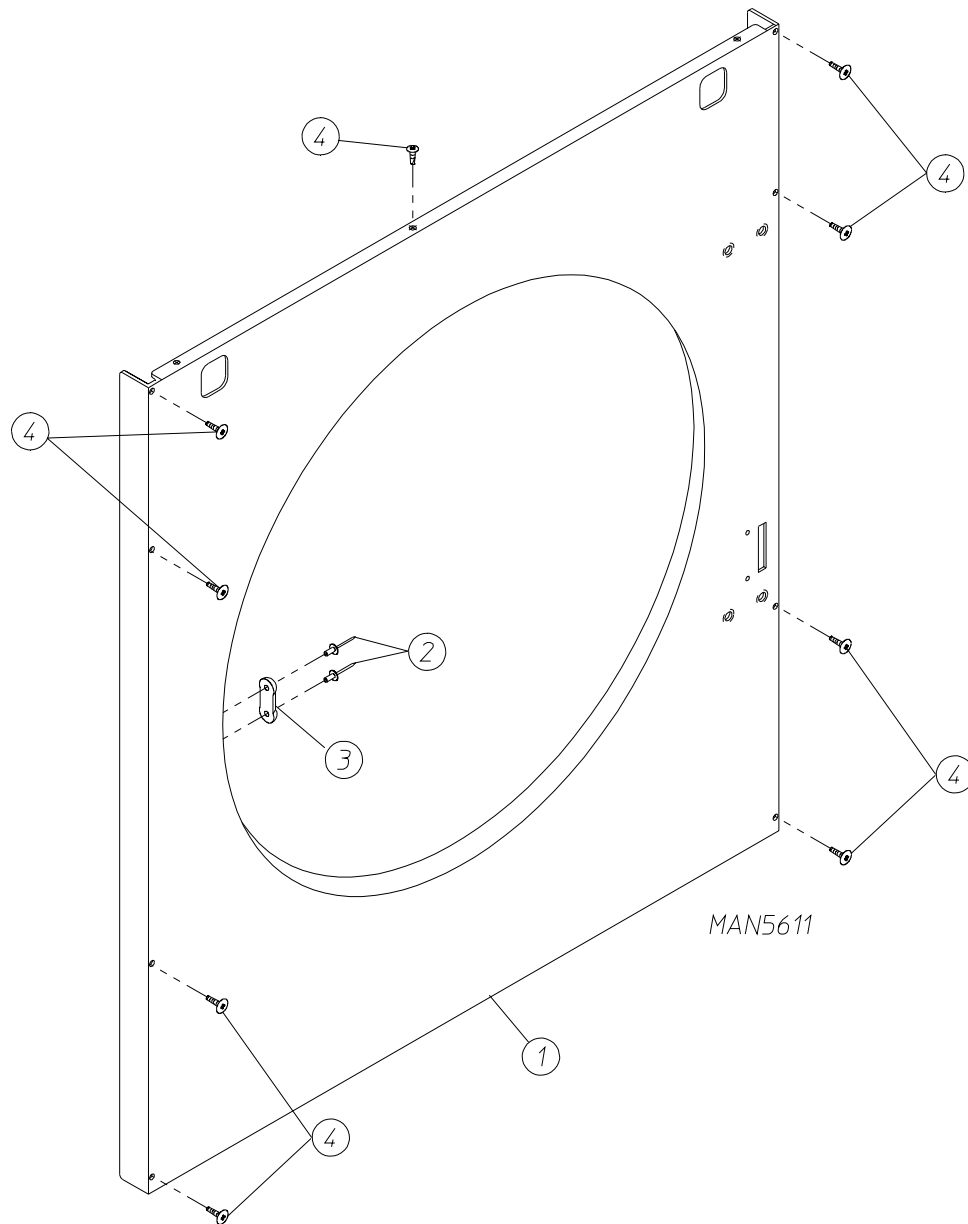
<u>Illus. No.</u>	<u>Part No.</u>	<u>Qty.</u>	<u>Description</u>
1	150006	2	#6-32 x 7/8" Phillips Pan Head Machine Screw
2	152013	2	#6-32 Hex Nut
3	153010	2	#6 Star Washer
4	137005	1	Door Switch ONLY
5	122636	2	Flag Terminal
6	881211	1	Black Main Door Switch Housing ONLY
	881153	1	Black Main Door Switch Housing Complete (includes illus. nos. 1, 2, 3, 4, and 6)
7	150301	2	#8-18 x 7/16" Phillips Pan Head TEK Screw

For Models Mfd. prior to February 12, 2001



Illus. No.	Part No.	Qty.	Description
1	152013	2	#6-32 Hex Nut
2	153008	2	#6 Lock Washer
3	137005	1	Single Pole Door Switch
4	121028	2	Insulated Female Terminal
5	154281	2	3/8" Standard Nylon Spacers
6	800448	1	12-1/2" Stainless Steel Main Door Hinge Assembly (includes illus. nos. 6 and 7)
7	153565	2	#6-32 x 1" Self Clinching Stud
8	881246	1	Main Door Switch Housing
9	150201	2	#10-32 x 1/4" Phillips Pan Head Screw
10	121405	1	Rubber Grommet

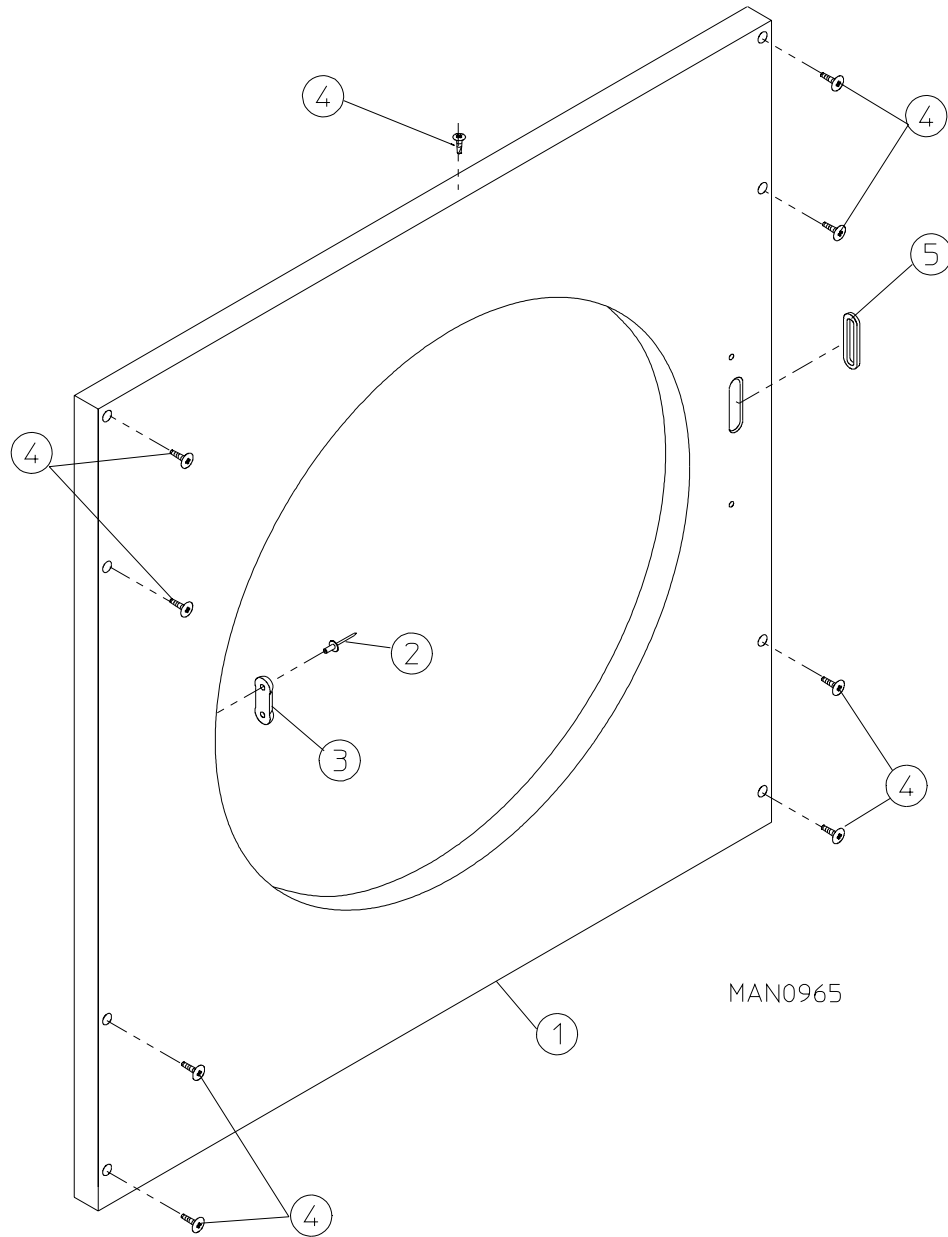
For Models Mfd. as of February 12, 2001



<u>Illus. No.</u>	<u>Part No.</u>	<u>Qty.</u>	<u>Description</u>
1	881266*	1	Front Panel Assembly (cold rolled steel [CRS] door)
2	154215	2	1/8" Pop Rivets
3	170330	1	Friction Door Latch
4	150309	9	#10-16 x 1/2" Hex Head TEK Crimptite Screw
	150313	9	TORX Head Screw (for models mfd. as of October 2, 2000)

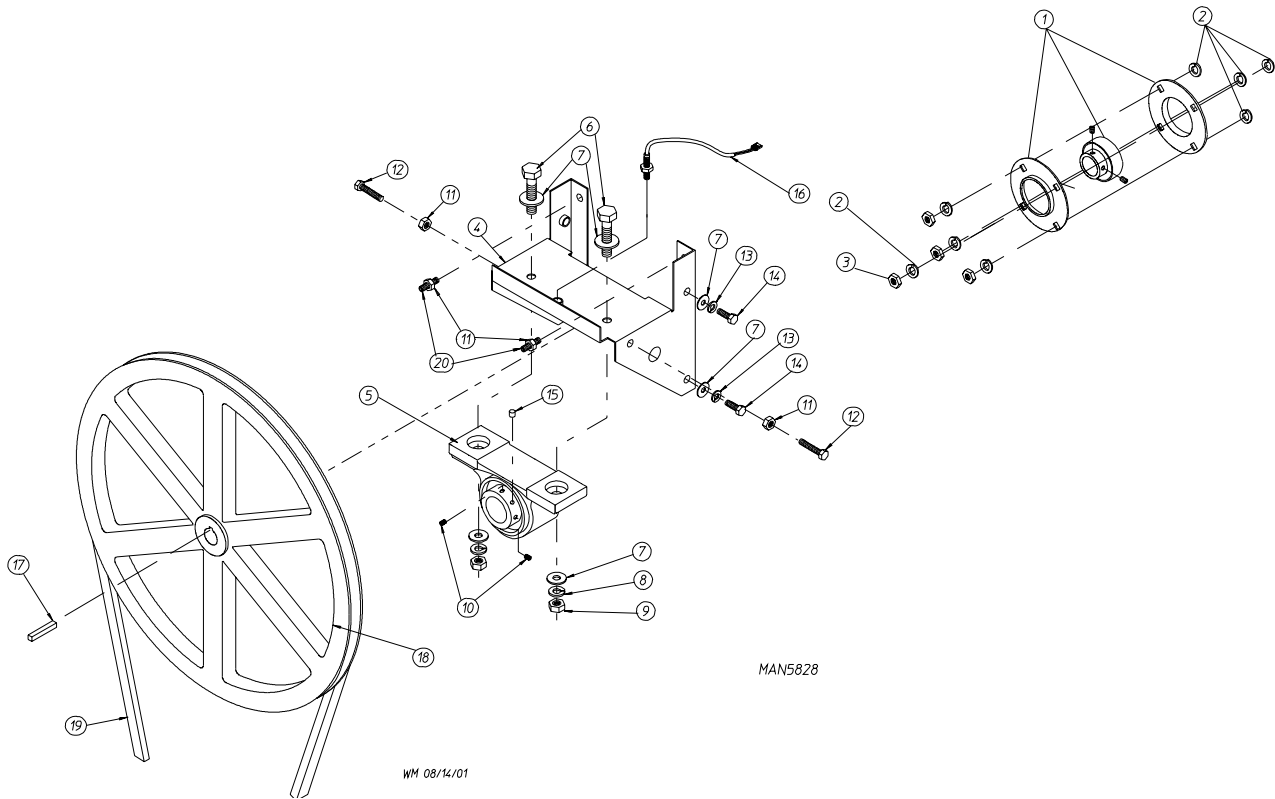
* Specify color when ordering

For Models Mfd. prior to February 12, 2001



<u>Illus. No.</u>	<u>Part No.</u>	<u>Qty.</u>	<u>Description</u>
1	881175*	1	Front Panel Assembly Complete without Hinge (includes illus. nos. 1 through 3 and 5)
2	154215	2	5/32" Pop Rivet
3	170330	1	Friction Door Latch
4	150309	9	#10-16 x 1/2" Hex Head TEK Crimptite Screw
5	121405	1	Rubber Grommet

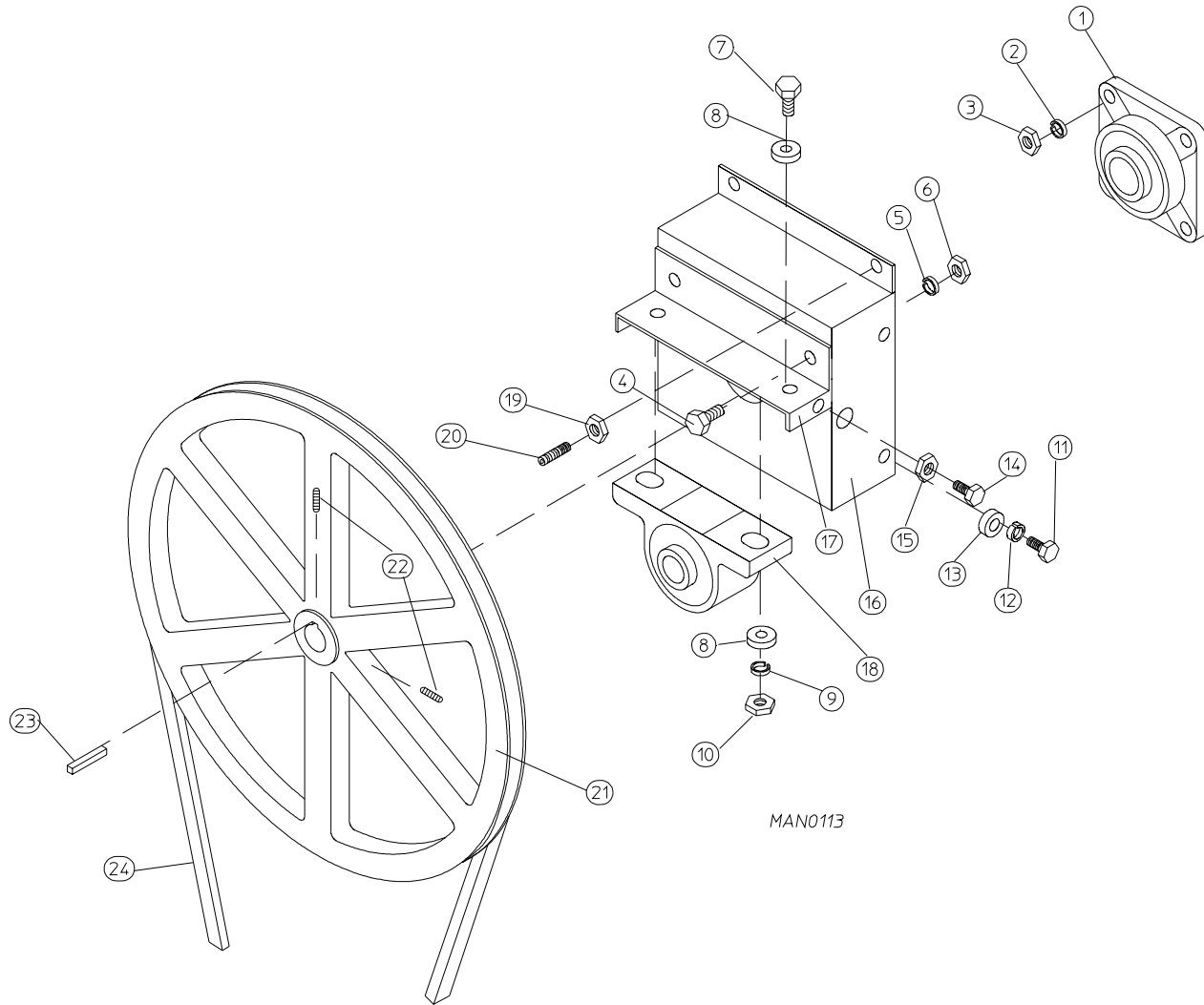
* Specify color when ordering.



For Models Mfd. as of April 3, 2001

<u>Illus. No.</u>	<u>Part No.</u>	<u>Qty.</u>	<u>Description</u>
1	880209	1	1-3/8" 4 Bolt Pressed Steel Round Bearing
2	153005	12	3/8" Lock Washer
3	152005	4	3/8-16 Hex Nut
4	882544	1	Pillow Block Bearing Assembly Complete (includes illus. nos. 4 through 16 and 20)
	882545	1	Bearing Assembly Complete (for models mfd. with rotational sensor)
	882542	1	Bearing Support ONLY
	882543	1	Bearing Support ONLY (for models mfd. with rotational sensor)
5	880202	1	1-3/8" Pillow Block Bearing ONLY
	880779	1	1-3/8" Pillow Block Bearing (for models mfd. with rotational sensor)
6	150601	2	3/8-16 x 2" Hex Bolt
7	153004	8	3/8" Flat Washer
8	153005	2	3/8" Lock Washer
9	152005	2	3/8-16 Hex Nut
10	154326	2	5/16-24 x 3/8" Setscrew Black
11	152004	4	5/16-18 Hex Nut
12	150621	2	5/16-18 x 1-1/2" Tap Bolt
13	153002	4	5/16" Lock Washer
14	150501	4	5/16-18 x 3/4" Tap Bolt
15	102120	1	Sintered 8 Magnet
16	824807	1	Rotational Sensor Assembly (for models mfd. with rotational sensor)
17	100713	1	1/4" x 1/4" x 7/8" Key
18	101100	1	18" Pulley
19	100100	1	5L-660 V-Belt (to idler assembly)
20	150610	2	5/16-18 x 1-1/2" Allen Setscrew

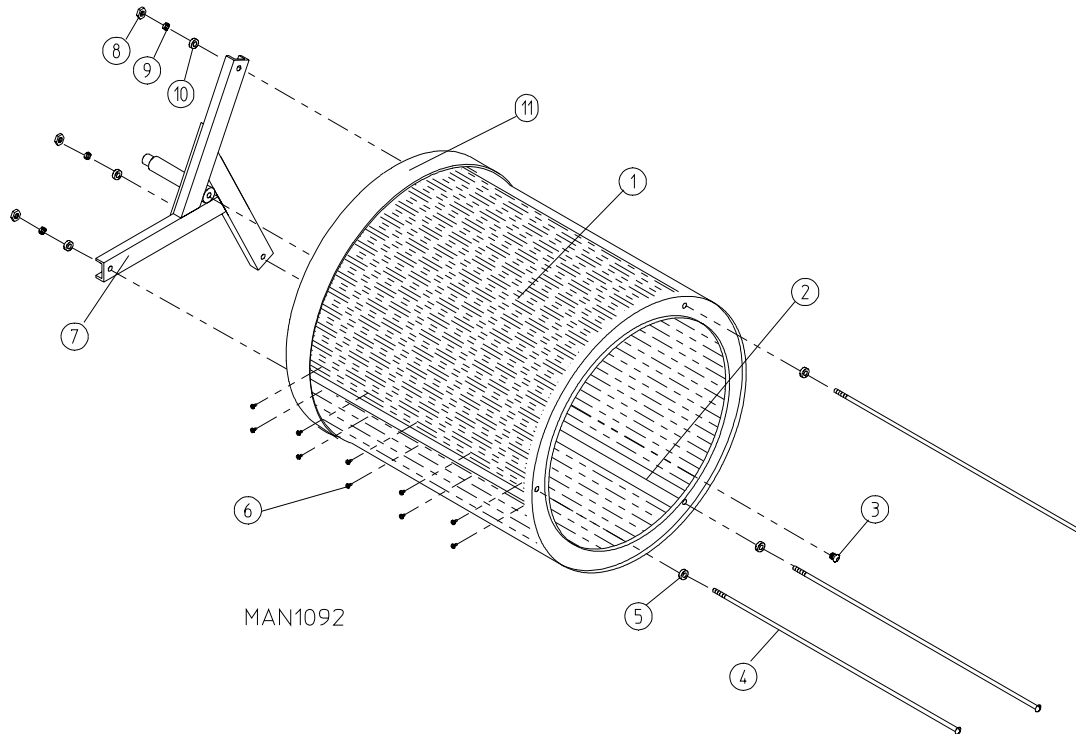
For Models Mfd. prior to April 3, 2001



For Models Mfd. prior to April 3, 2001

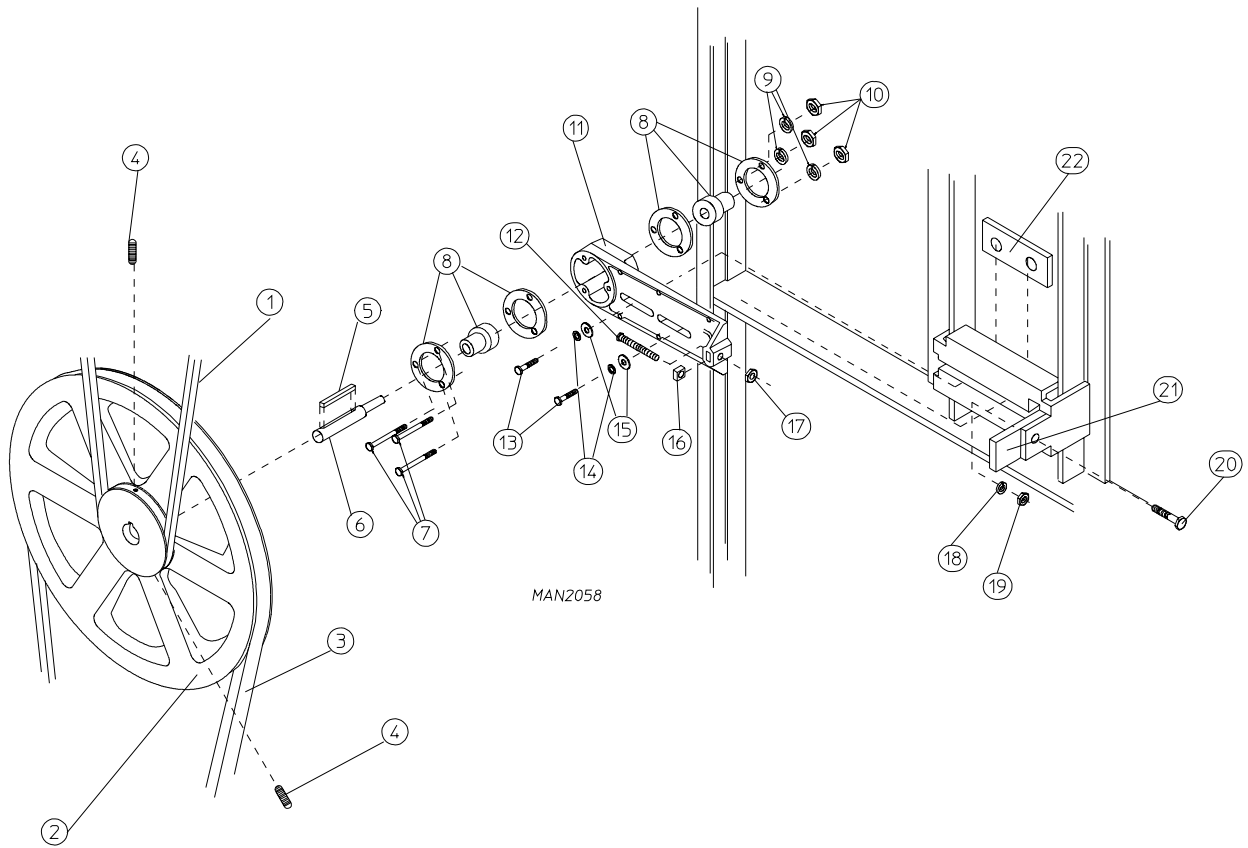
<u>Illus. No.</u>	<u>Part No.</u>	<u>Qty.</u>	<u>Description</u>
1	880203	1	1-3/8" Flange Bearing
2	153005	4	3/8" Lock Washer
3	152005	4	3/8-16 Hex Nut
4	150508	2	3/8-16 x 3/4" Hex Head Machine Bolt
5	153005	2	3/8" Lock Washer
6	152005	2	3/8-16 Hex Nut
7	150600	2	3/8-16 x 1-1/2" Hex Head Machine Bolt
8	153004	2*	3/8" Flat Washer
9	153005	2*	3/8" Lock Washer
10	152005	2*	3/8-16 Hex Nut
11	150501	4	5/16-18 x 3/4" Hex Head Machine Bolt
12	153005	4	3/8" Lock Washer
13	153004	4	3/8" Flat Washer
14	150621	2	5/16-18 x 1-1/2" Hex Head Machine Bolt
15	152005	2	3/8-16 Hex Nut
16	801101	1	1-3/8" Bearing Box Assembly Complete (includes illus. nos. 4 through 20)
	801103	1	1-3/8" Bearing Box and Support ONLY (includes illus. nos. 4 through 6, 16, and 17)
	801105	1	1-3/8" Bearing Box ONLY
17	801104	1	Pillow Block Bearing Support ONLY
18	880202	1	1-3/8" Pillow Block Bearing ONLY
19	152004	2	5/16-18 Hex Nut
20	150610	2	5/16-18 x 1-1/2" Allen Setscrew
21	101100	1	18" Pulley
22	154301	2	5/16-18 x 5/16" Allen Setscrew
23	100713	1	1/4" x 1/4" x 7/8" Key
24	100111	1	5L-650 V-Belt (basket [tumbler] to idler)

* Some models require a quantity of 4.



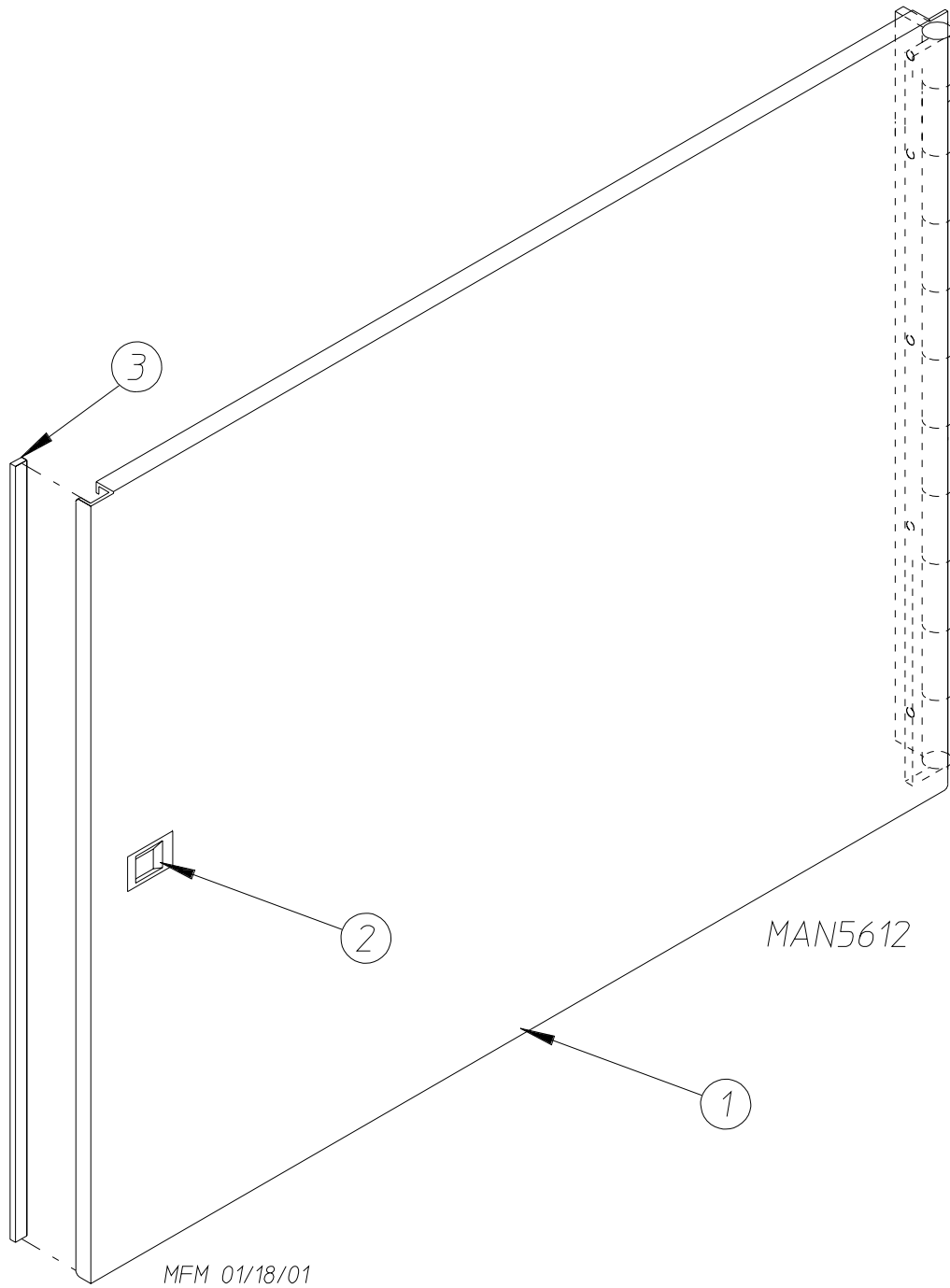
<u>Illus. No.</u>	<u>Part No.</u>	<u>Qty.</u>	<u>Description</u>
1	800830	1	Basket (tumbler) and Support Assembly Complete with Felt Collar (includes illus. nos. 1 through 11)
	800890	1	Stainless Steel Basket (tumbler) and Support Assembly Complete with Felt Collar (includes illus. nos. 1 through 11)
	800720*	1	Basket (tumbler) ONLY (includes illus. nos. 1, 2, and 6)
	800840*	1	Stainless Steel Basket (tumbler) ONLY (includes illus. nos. 1, 2, and 6)
2	301315	2	Basket (tumbler) Rib ONLY (short)
	301316	1	Basket (tumbler) Rib ONLY (tall)
	301414	2	Stainless Steel Basket (tumbler) Rib ONLY (short)
	301415	1	Stainless Steel Basket (tumbler) Rib ONLY (tall) (includes illus. nos. 1, 2, and 6)
3	150518	1	5/16-18 x 3/8" Socket Button Head Screw
4	100915	3	3/8-16 x 31" Tie Rod
5	153004	3	3/8" Flat Washer
6	150309	30	#10-16 x 1/2" Hex Head TEK Crimptite Screw
7	800612	1	Basket (tumbler) Support ONLY
8	152005	3	3/8-16 Hex Nut
9	153005	3	3/8" Split Lock Washer
10	153001	3	5/16" Flat Washer
11	116003	1	Felt Collar ONLY
	401010	1	#847 Adhesive For Felt Collar (5.0 oz. tube)

* Felt collar is not included and **must be** ordered separately.



<u>Illus. No.</u>	<u>Part No.</u>	<u>Qty.</u>	<u>Description</u>
1	100111	1	5L-650 V-Belt (idler to basket [tumbler])
2	101129	1	9" x 2-1/2" Compound Pulley
3	100105	1	4L-520 V-Belt (idler to motor)
4	154301	2	5/16-18 x 5/16" Allen Setscrew
5	100705	1	3/16" x 3/16" x 1-3/8" Key
6	301850	1	5/8" x 3/4" Idler Shaft
7	150529	3	1/4-20 x -1/4" Carriage Bolt
8	100214	2	5/8" Flange Bearing
9	153007	3	1/4" Lock Washer
10	152002	3	1/4-20 Hex Nut
11	801008	1	Idler Bearing Assembly Complete (includes illus. nos. 6 through 22)
	100406	1	Idler Bearing Mount ONLY
12	150613	1	5/16-18 x 4" Hex Head Machine Bolt
13	150617	2	3/8-16 x 1" Hex Head Machine Bolt
14	153005	2	3/8" Lock Washer
15	153004	2	3/8" Flat Washer
16	152020	1	5/16-18 Standard Square Nut
17	152004	1	5/16-18 Hex Nut
18	152005	1	3/8-16 Hex Nut
19	153005	1	3/8" Lock Washer
20	150617	1	3/8-16 x 1" Hex Head Machine Bolt
21	301851	1	Idler Bracket Adjustment Plate
22	801009	1	Idler Square Washer

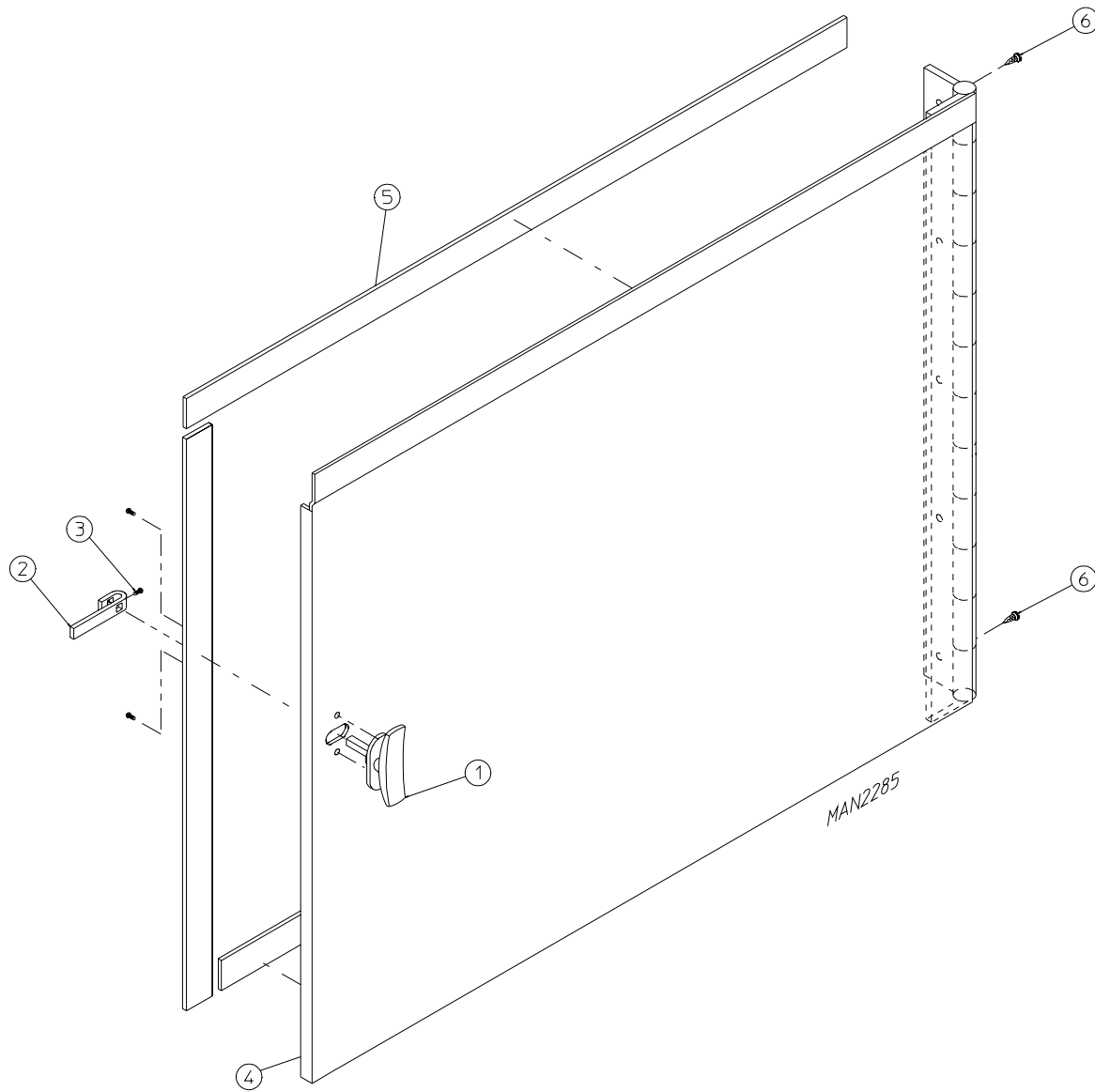
For Models Mfd. as of February 12, 2001



<u>Illus. No.</u>	<u>Part No.</u>	<u>Qty.</u>	<u>Description</u>
1	882981*	1	Right Hand Hinge Lint Door Assembly with Slide Latch
2	170226	1	Slide Latch Flush Style (black)
3	117604	2	1/8" x 3/8" Neoprene Sponge Tape

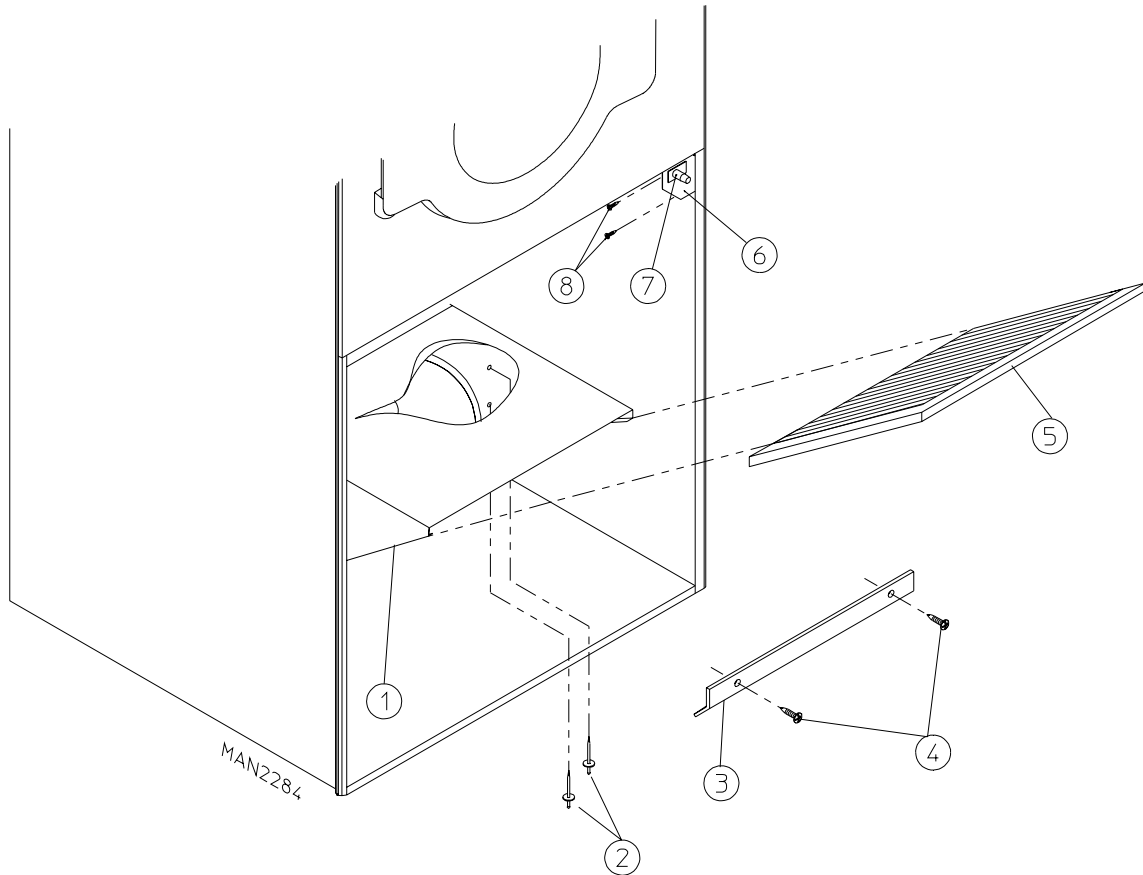
* Specify color when ordering.

For Models Mfd. prior to February 12, 2001



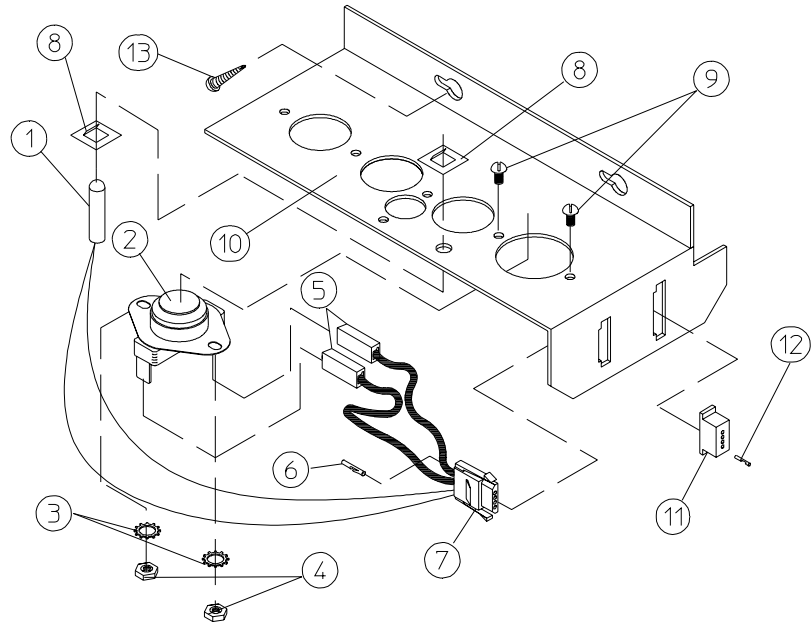
<u>Illus. No.</u>	<u>Part No.</u>	<u>Qty.</u>	<u>Description</u>
1	800150	1	Knob Latch Kit Complete (includes illus. nos. 1 through 3)
	160200	1	Knob Latch ONLY with Two (2) Screws
2	160009	1	Adjustable Cam ONLY
3	150425	1	#12-24 x 3/8" Cam Screw
4*	881138	1	Right Hand Lint Door Assembly Complete (includes illus. nos. 4 through 6)
5	117604	7	1/8" x 3/8" Neoprene Sponge Tape
6	150309	5	#10-16 x 1/2" Hex Head TEK Crimptite Screw

* Specify color when ordering.

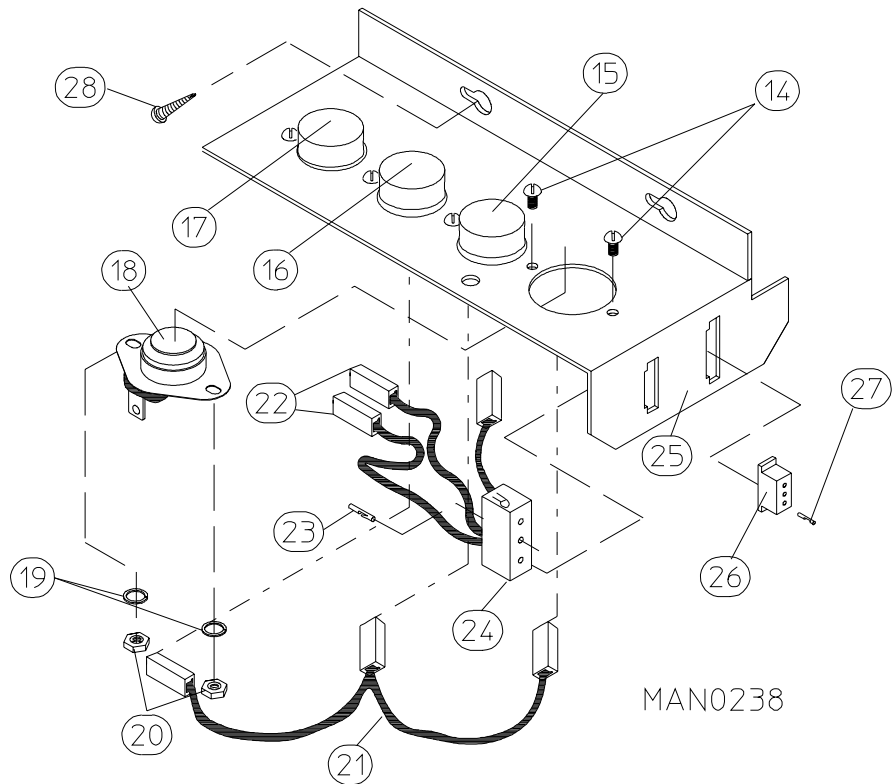


<u>Illus. No.</u>	<u>Part No.</u>	<u>Qty.</u>	<u>Description</u>
1	800410	1	Lint Trap Assembly Complete (includes illus. nos. 1, 3, 4, and 5)
	800411	1	Lint Trap ONLY
2	154200	7	5/32" Pop Rivet
3	304102	1	Lint Screen Holder ONLY
4	150300	2	#10-16 x 1/2" Hex Washer TEK Screw
5	800503	1	Lint Screen ONLY
6	323724	1	Lint Door Switch Bracket
7	122116	1	Lint Door Switch
8	150300	2	#10-16 x 1/2" Hex Washer TEK Screw

**Microprocessor
Sensor
Bracket
Assembly**

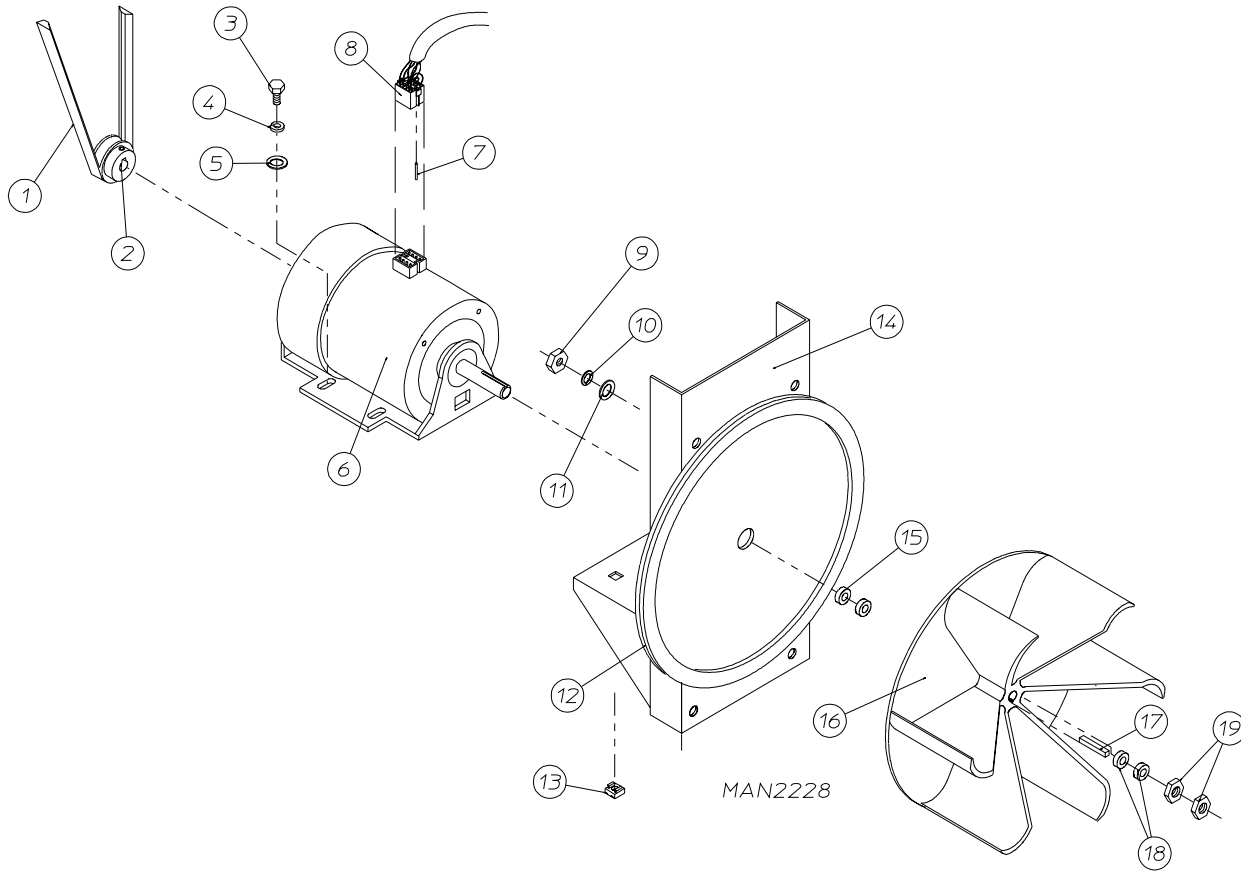


**Noncomputer
Sensor
Bracket
Assembly**



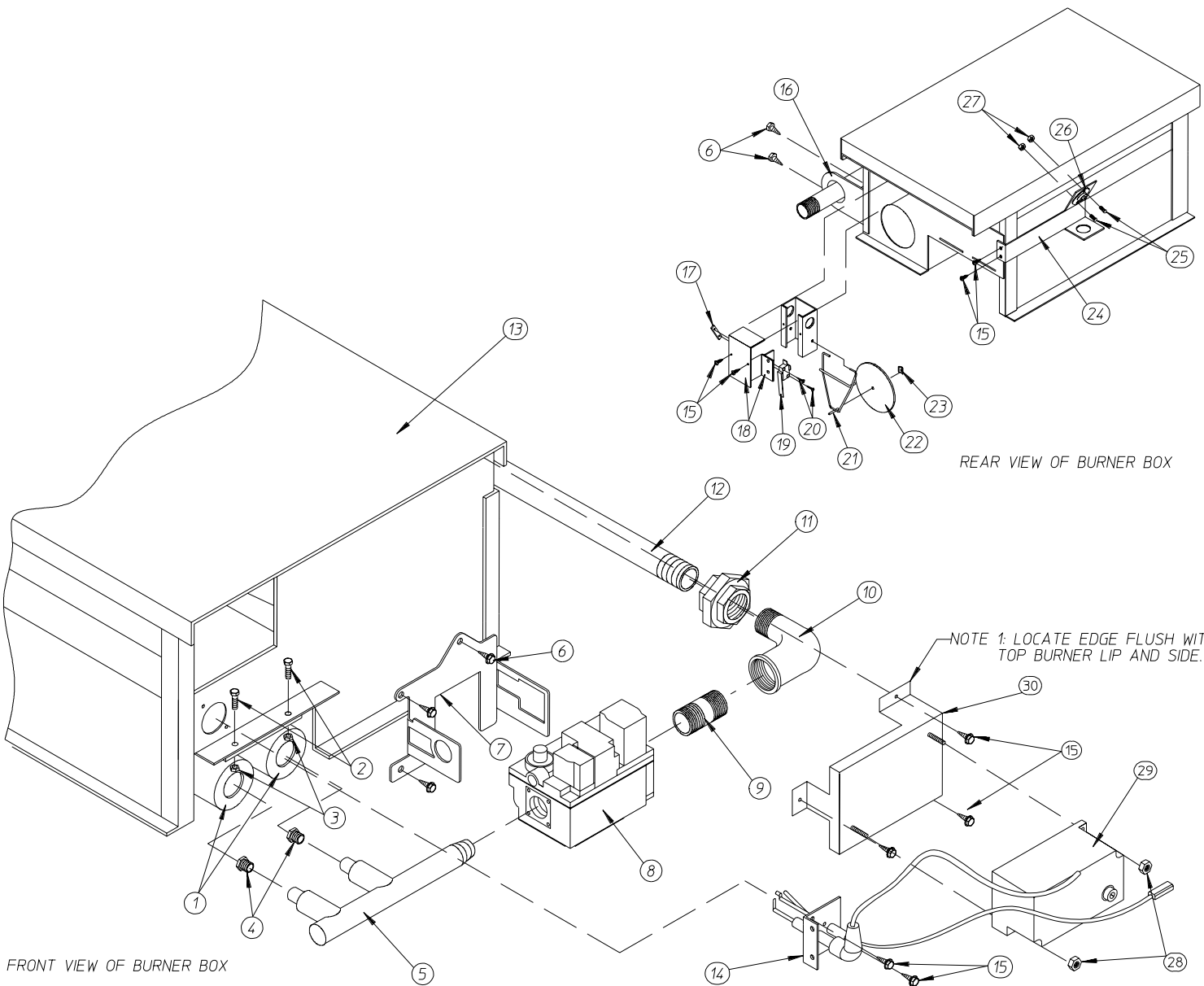
MAN0238

<u>Illus. No.</u>	<u>Part No.</u>	<u>Qty.</u>	<u>Description</u>
1	880251	1	1/4" Temperature Sensor Probe Assembly (includes illus. nos. 1 and 5 through 8)
2	130301	1	225° Large Automatic Thermostat
3	153010	2	#6 Star Washer
4	152000	2	#6-32 Hex Nut
5	121028	2	Insulated Terminal ONLY
6	122701	4	Socket Terminal ONLY
7	122605	1	4-Pin Socket Connector ONLY
8	154007	2	1/4" Tinnerman Push On Fastener
9	150005	2	#6-32 x 1/4" Round Head Machine Screw
10	801425	1	Microprocessor Sensor Bracket Assembly Complete (includes illus. nos. 1 through 10)
	305007	1	Universal Sensor Bracket ONLY
11	122604	1	4-Pin Connector ONLY
12	122700	4	Pin Terminal ONLY
13	150411	2	#8-18 x 3/8" Phillips Pan Head TEK Screw
14	150005	5	#6-32 x 1/4" Round Head Machine Screw
15	130111	1	130° Large Thermostat
16	130100	1	150° Large Thermostat
17	130301	1	225° Large Automatic Reset Thermostat
18	130106	1	170° Large Thermostat
19	153010	5	#6 Star Washer
20	152000	5	#6-32 Hex Nut
21	840065	1	Sensor Jumper (4) ONLY
22	121028	8	Insulated Terminal ONLY
23	122701	4	Socket Terminal ONLY
24	122605	1	4-Pin Socket Connector ONLY
	840062	1	Sensor (4) Bracket Harness Assembly (includes illus. nos. 22, 23, and 24)
25	801418	1	Noncomputer Sensor (4) Bracket Assembly Complete with Thermostats (includes illus. nos. 14 through 25)
	305007	1	Universal Sensor Bracket ONLY
26	122604	1	4-Pin Connector ONLY
27	122700	4	Pin Terminal ONLY
	122801	1	Pin/Socket Extraction Tool
28	150411	2	#8-18 x 3/8" Phillips Pan Head TEK Screw



<u>Illus. No.</u>	<u>Part No.</u>	<u>Qty.</u>	<u>Description</u>
1	100105	1	4L-520 V-Belt (motor to idler)
2	101131	1	1/2" x 2-1/4" Motor Pulley (for 60 Hz models Only)
3	150501	4	5/16-18 x 3/4" Hex Head Machine Bolt
4	153002	4	5/16" Lock Washer
5	153001	4	5/16" Flat Washer
6	100065*	1	1/2 HP 100-230v 1ø 50/60 Hz Totally Enclosed, Fan-Cooled (T.E.F.C.) Motor with Plug
7	122701	8	Socket Terminal ONLY
	122801	1	Pin/Socket Extraction Tool
8	137030	1	8-Pin Housing Connector
9	152004	4	5/16-18 Hex Nut
10	153002	4	5/16" Lock Washer
11	153001	4	5/16" Flat Washer
12	117604	4	1/8" x 3/8" Neoprene Sponge Tape
13	154000	4	5/16-18 Tinnerman Nut
14	800909	1	1/2 HP Motor Mount ONLY (56Z frame)
	803966*	1	1/2 HP 120-230v 1ø 60 Hz Totally Enclosed, Fan-Cooled (T.E.F.C.) Motor Mount with Plug Motor (includes illus. nos. 3 through 7 and 13 through 20)
15	153050	2	1/2" S.A.E. Flat Washer
16	100604	1	12-1/2" Impellor with 1/2" Bore
17	100702	1	1/8" x 1/8" x 1-1/2" Key
18	153050	2	1/2" S.A.E. Flat Washer
19	152006	2	1/2-20 Left Hand Jam Nut

* Specify voltage when ordering.



MAN5388

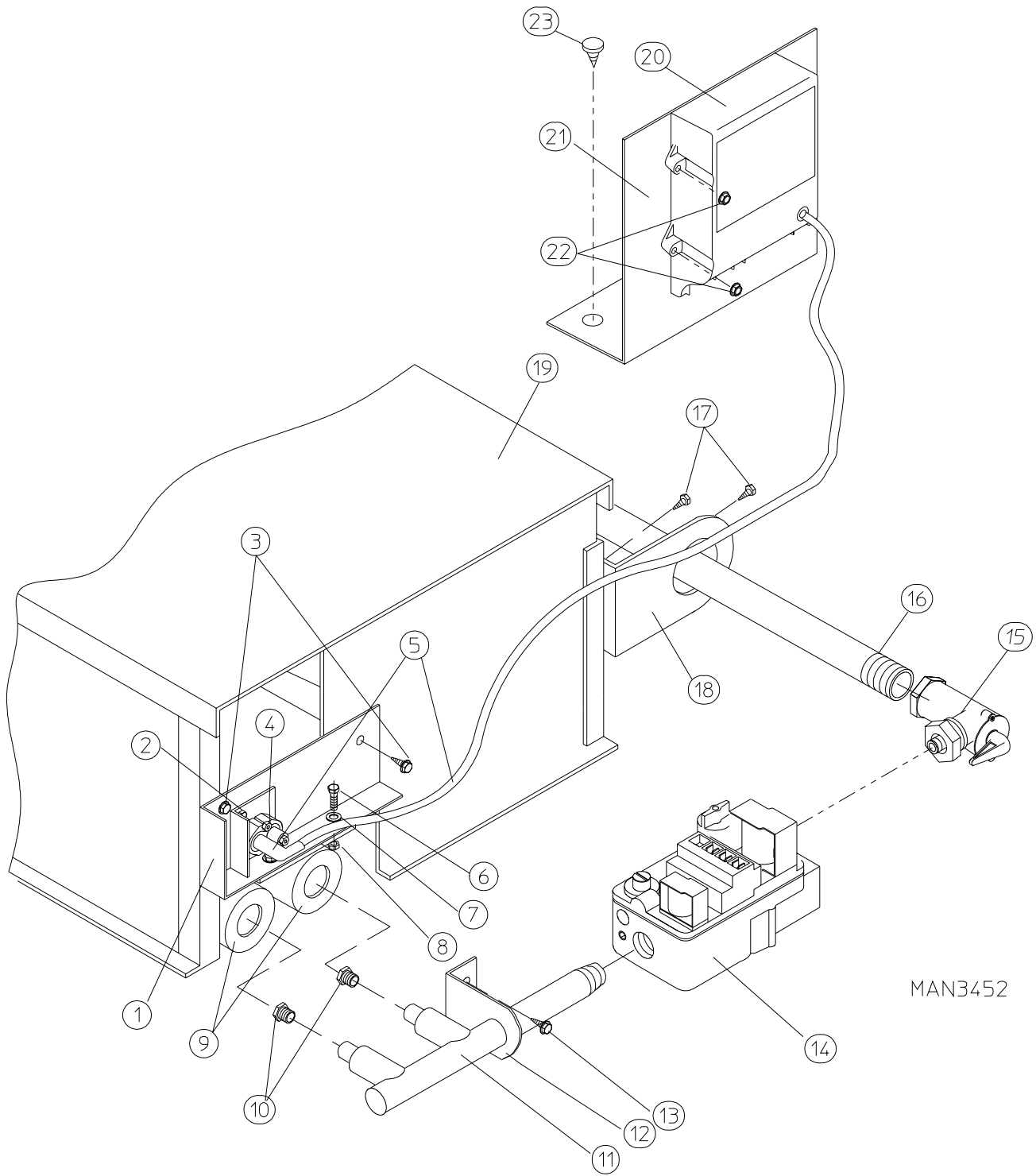
WM 07/31/00

For Models without Shutoff

<u>Illus. No.</u>	<u>Part No.</u>	<u>Qty.</u>	<u>Description</u>
1	141104	2	Small Burner Tube
2	151001	2	#8-32 Pal Nut
3	150108	2	#8-32 x 1/2" Pan Head Machine Screw
4	140851*	2	#32 (natural gas) Burner Orifice
	140802*	2	#50 (liquid propane [L.P.] gas) Burner Orifice
5	141230	1	1/2" 2-Port Manifold
6	150309	5	#10-16 1/2" Hex Head TEK Crimptite Screw
7	318716	1	Gas Valve Bracket
8	128927	1	1/2" 24 VAC Redundant (natural gas) Gas Valve
	880960	1	1/2" 24 VAC Redundant (liquid propane [L.P.] gas) Gas Valve Assembly
	140411	1	1/2" Gas Valve Liquid Propane (L.P.) Conversion Kit
9	142707	1	1/2" x 1 1/2" B.I. Nipple
10	142506	1	1/2" x 1/2" Street Elbow
11	142600	1	1/2" Black Union
12	142800	1	1/2" x 18" Pipe
13	882769**	1	Natural Gas Burner Assembly Complete Less Orifice
	882770**	1	Liquid Propane (L.P.) Gas Burner Assembly Complete Less Burner Orifice
	850850	1	Burner Box ONLY
14	880134	1	Ignitor Flame-Probe Kit Assembly (includes high voltage [H.V.] wire and connector)
	880330	1	High Voltage (H.V.) Wire and Connector Assembly
15	150300	9	#10-16 x 1/2" Hex Washer TEK Screw
16	318700	1	Pipe Bracket
17	154004	1	Twin Speed Nut
18	802799	1	Sail Switch Cover and Bracket ONLY
19	122200	1	Sail Switch ONLY
20	150303	2	#4 x 3/4" Pan Head "A" Machine Screw
21	105500	1	Sail Switch Actuator Rod
22	319202	1	Sail Switch Damper (flat)
23	154002	1	1/8" Push On Fastener
24	319704	1	Hi-Limit Mounting Bracket
25	150001	2	#6-32 x 1/2" Phillips Round Head Machine Screw
26	130201	1	330° Manual Reset Hi-Limit
27	151000	2	#6 x 32 Pal Nut
28	152013	2	#6-32 Hex Nut
29	128935	1	Direct Spark Ignition (DSI) Module with Three (3) Tries
30	810030	1	Direct Spark Ignition (DSI) Module Mounting Bracket

* Consult factory for elevations over 2,000 feet.

** Burner orifices *are not included* and **must be** ordered separately.

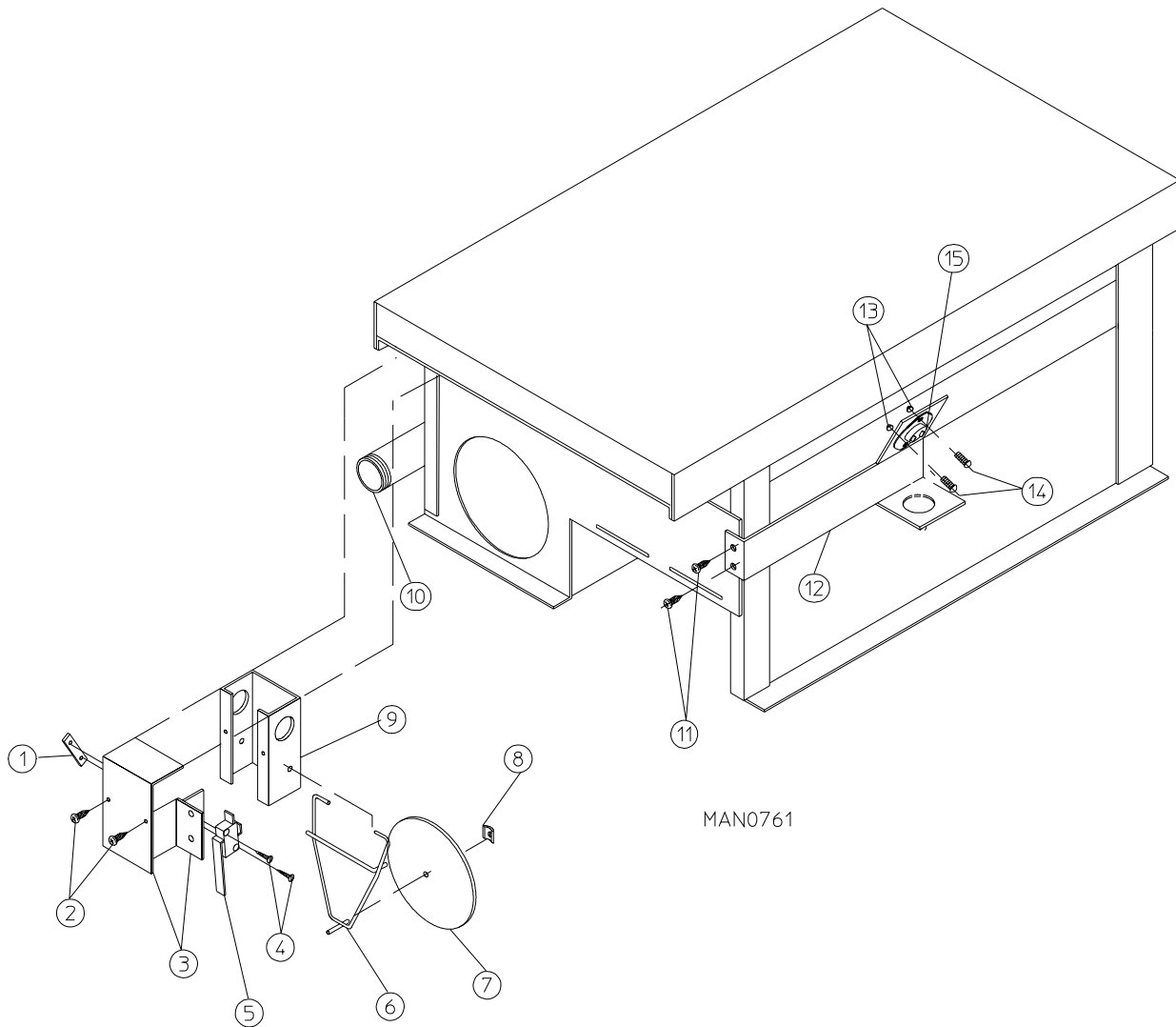


MAN3452

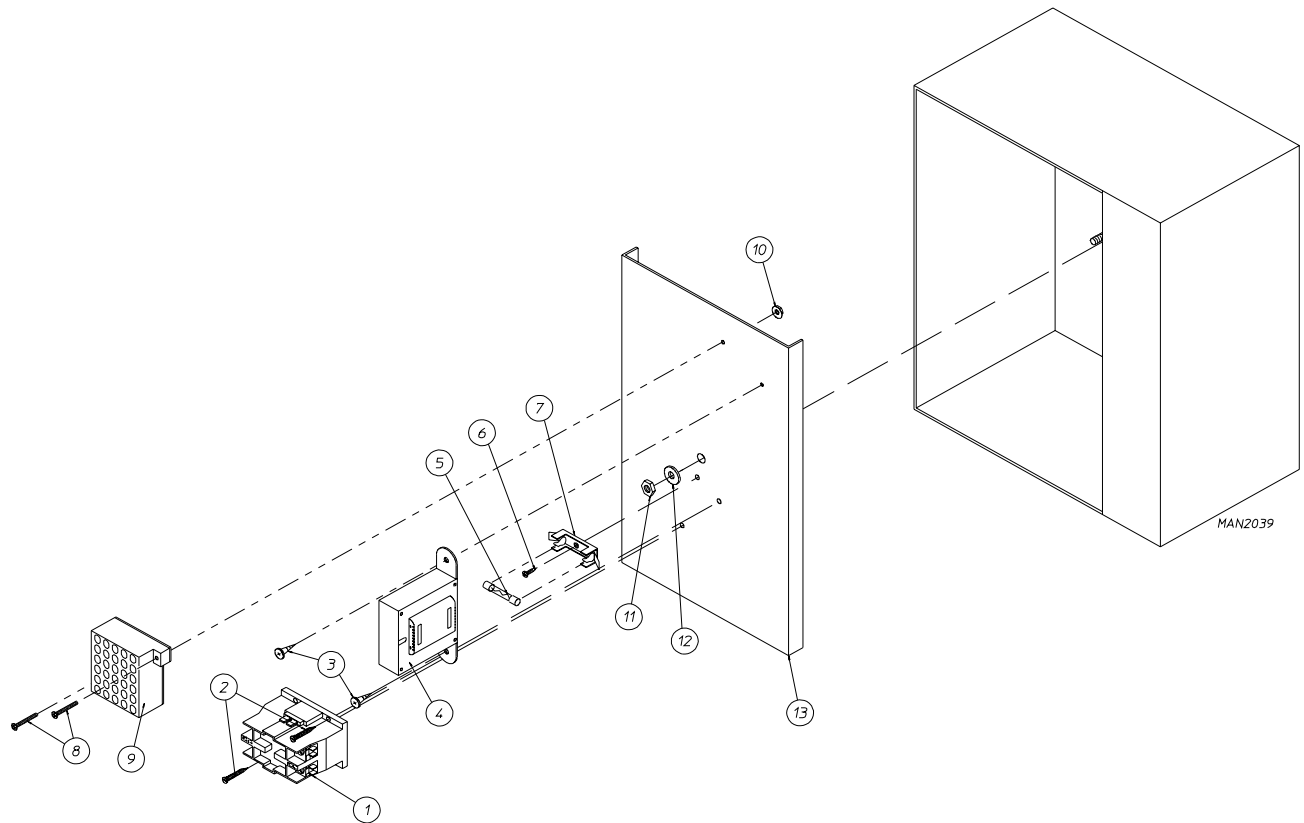
<u>Illus. No.</u>	<u>Part No.</u>	<u>Qty.</u>	<u>Description</u>
1	318030	1	Direct Spark Ignition (DSI) Burner Shield
2	150300	2	#10-16 x 1/2" Hex Head TEK Screw
3	150309	2	#10-16 x 1/2" Hex Head TEK Crimptite Screw
4	128915	1	Direct Spark Ignition (DSI) Ignitor/Flame-Probe Assembly
	880134	1	Ignitor/Flame-Probe Kit Assembly (includes illus. nos. 4 and 5)
5	880330	1	High Voltage (H.V.) Wire and Connector Assembly
6	150103	2	#8-32 x 1/2" Pan Head Machine Screw
7	153000	2	#8 Steel Burr
8	151001	2	#8-32 Pal Nut
9	141104	2	Small Tube Burner
10	140851*	2	#32 (natural gas) Burner Orifice
	140802*	2	#50 (liquid propane [L.P.] gas) Burner Orifice
11	141230	1	1/2" Direct Spark Ignition (DSI) Manifold (2-port)
12	318700	1	Pipe Bracket (bent)
13	150300	2	#10-16 x 1/2" Hex Washer TEK Screw
14	128927	1	1/2" 24 VAC Redundant (natural gas) Gas Valve
	880960	1	1/2" 24 VAC Redundant (L.P. gas) Gas Valve
	140411	1	1/2" Valve L.P. Conversion Kit
15	881367	1	1/2" Union Shutoff with Tail Piece
16	142800	1	1/2" x 18" Pipe
17	150309	4	#10-16 x 1/2" Hex Head TEK Crimptite Screw
18	318700	2	Pipe Bracket (bent)
19	850850	1	Non-Heat Reclaimer Burner Box ONLY
	809640**	1	Burner (natural gas) Assembly Complete Less Orifices (includes illus. nos. 1 through 9 and 11 through 23)
	809641**	1	Burner (L.P. gas) Assembly Complete Less Orifices (includes illus. nos. 1 through 9 and 11 through 23)
--	881134*	1	Direct Spark Ignition (DSI) (L.P.) Conversion Kit
20	880815	1	Direct Spark Ignition (DSI) Module ONLY (50/60 Hz)
21	801031	1	Direct Spark Ignition (DSI) Module Plate
22	150299	4	#10 x 1/2" Hex Washer
23	150300	2	#10-16 x 1/2" Hex Head TEK Screw

* Consult factory for elevations over 2,000 feet.

** Burner orifices *are not included* and **must be** ordered separately.

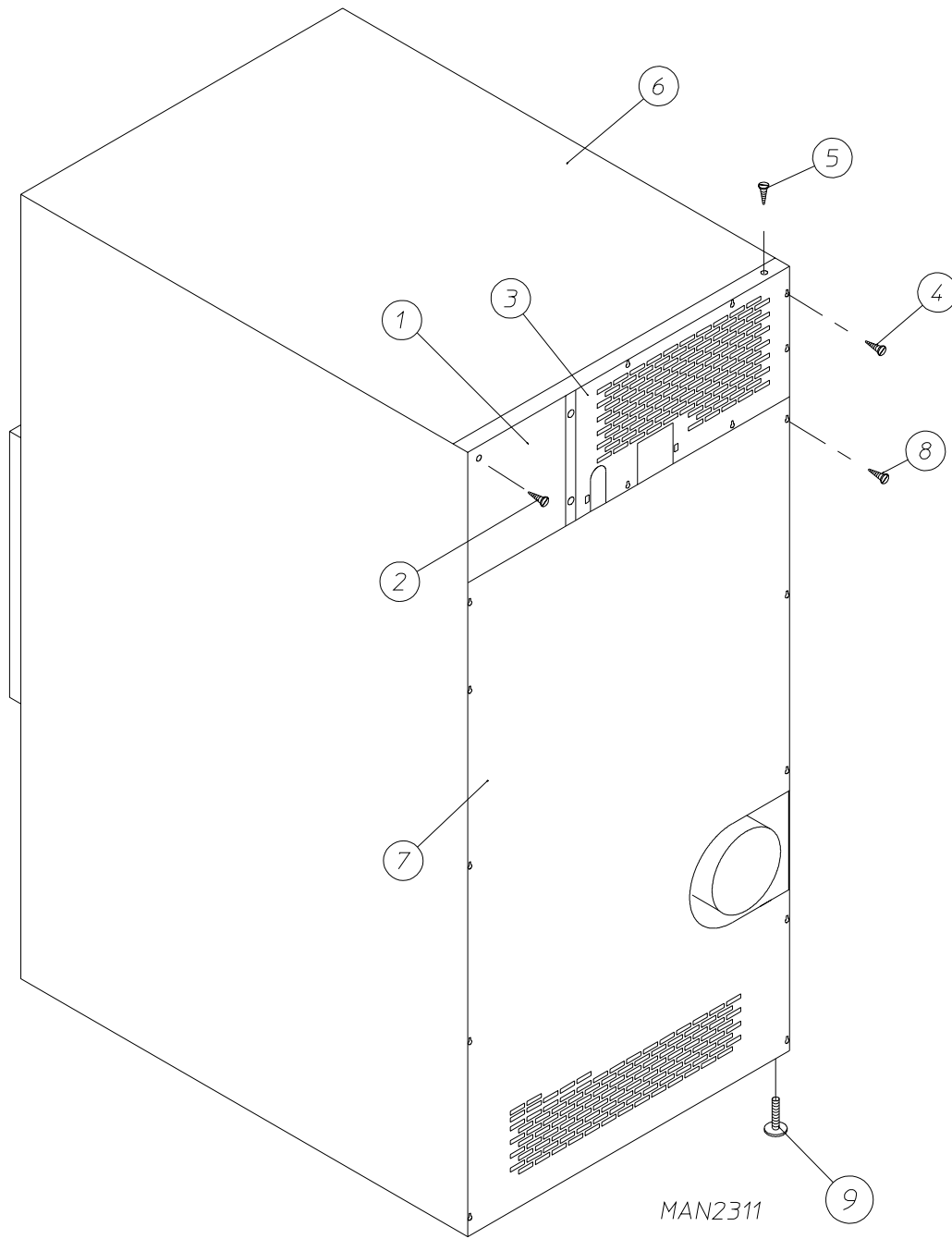


<u>Illus. No.</u>	<u>Part No.</u>	<u>Qty.</u>	<u>Description</u>
1	154004	1	Twin Speed Nut
2	150309	2	#10-16 x 1/2" Hex Head TEK Crimptite Screw
3	802799	1	Sail Switch Box Cover and Bracket ONLY
4	150303	2	#4 x 3/4" Pan Head "A" Machine Screw
5	122200	1	Sail Switch
6	105500	1	Sail Switch Actuator Rod
7	319202	1	Sail Switch Damper (flat)
8	154002	1	1/8" Push On Fastener
9	802801	1	Sail Switch Box Assembly Complete (includes illus. nos. 1 through 9)
	802800	1	Sail Switch Box with Cover and Bracket ONLY
10	142809	1	1/2" x 29-1/8" Pipe
11	150309	2	#10-16 x 1/2" Hex Head TEK Crimptite Screw
12	319704	1	Hi-Limit Mounting Bracket ONLY
13	151000	2	#6-32 Pal Nut
14	150001	2	#6-32 x 1/2" Round Head Machine Screw
15	130401	1	330° Hi-Limit



<u>Illus. No.</u>	<u>Part No.</u>	<u>Qty.</u>	<u>Description</u>
1	132475	1	2-Pole Contactor - 24 VAC
2	150299	2	#10 x 1" Hex Washer TEK Screw
3	150300	2	#10 x 1/2" Hex Washer TEK Screw
4	141403	1	Control Voltage Transformer - 24 VAC
5	136057	*	1/2-Amp (slo blo) Fuse
6	150411	*	#8-18 x 3/8" Phillips Pan Head TEK Screw
7	136008	*	Fuse Block/Strip ONLY
8	150002	2	#6-32 x 1" Round Head Machine Screw
9	120715	1	30-Position Terminal Block
10	151000	2	#6-32 Pal Nut
11	153002	1	5/16-18 Lock Washer
12	152004	1	5/16-18 Hex Nut
13	305520	1	Rear Contactor Plate
--	322809	1	Back Electrical Box Cover...Not Illustrated
--	150411	4	#8-18 x 3/8" Phillips Pan Head TEK Screw...Not Illustrated

* As required.



<u>Illus. No.</u>	<u>Part No.</u>	<u>Qty.</u>	<u>Description</u>
1	322809	1	Back Electrical Box Cover ONLY
2	150411	3	#8-18 x 3/8" Phillips Pan Head TEK Screw
3	330661	1	Top Back Guard ONLY
4	150411	8	#8-18 x 3/8" Phillips Pan Head TEK Screw
5	150411	8	#8-18 x 3/8" Phillips Pan Head TEK Screw
6	330607	1	Outer Top Guard ONLY
7	330609	1	Lower Back Guard ONLY
8	150411	10	#8-18 x 3/8" Phillips Pan Head TEK Screw
9	103500	4	Leveling Leg

<u>Part No.</u>	<u>Description</u>
112533	“Phase 5 Coin Program Location Summary” Label
112039	“Black/White/Green Ground” Label
114006	“WARNING - Fire Hazards” Label
112280	“Clean Lint Screen” Label
114001	“CAUTION - Exhaust/Lint Screen” Label
120800	1/4” In-Line Connector
120802	Red Butt Connector
120902	#74B Wire Nut
120903	Crimp-On Wire Nut
121014	1/4” Insulated (female) Terminal
121026	Tab Receptacle Combination
121499	5-1/2” Harness Tie
121500	8” Harness Tie
121503	Harness Tie Mounting Clip
122804	Manometer (hydro gauge)
404500	Almond Brush-In-Cap Bottle Touch-Up Paint
404502	White Brush-In-Cap Bottle Touch-Up Paint
404506	Beige Brush-In-Cap Bottle Touch-Up Paint
404507	Cornflower Blue Brush-In-Cap Bottle Touch-Up Paint
880200	Electrical Terminal (assortment) Kit

ADC450163 1 - 10/31/95-50 2* 02/25/98-50 3* 10/26/01-25

