



# **AD-30 / AD-50 Parts Manual 1987 thru 1991**

---

---

**American Dryer Corporation**  
88 Currant Road  
Fall River, MA 02720-4781  
Telephone: (508) 678-9000 / Fax: (508) 678-9447  
E-mail: techsupport@amdry.com

# Retain This Manual In A Safe Place For Future Reference

American Dryer Corporation products embody advanced concepts in engineering, design, and safety. If this product is properly maintained, it will provide many years of safe, efficient, and trouble-free operation.

*ONLY qualified technicians should service this equipment.*

**OBSERVE ALL SAFETY PRECAUTIONS** displayed on the equipment or specified in the installation manual included with the dryer.

The following “**FOR YOUR SAFETY**” caution **must be** posted near the dryer in a prominent location.

**FOR YOUR SAFETY**

Do not store or use gasoline or other flammable vapors or liquids in the vicinity of this or any other appliance.

**POUR VOTRE SÉCURITÉ**

Ne pas entreposer ni utiliser d'essence ni d'autres vapeurs ou liquides inflammables dans le voisinage de cet appareil ou de tout autre appareil.

We have tried to make this manual as complete as possible and hope you will find it useful. **ADC** reserves the right to make changes from time to time, without notice or obligation, in prices, specifications, colors, and material, and to change or discontinue models.

## Important

For your convenience, log the following information:

**DATE OF PURCHASE** \_\_\_\_\_ **MODEL NO.** \_\_\_\_\_

**RESELLER'S NAME** \_\_\_\_\_

**Serial Number(s)** \_\_\_\_\_  
\_\_\_\_\_  
\_\_\_\_\_

Replacement parts can be obtained from your reseller or the **ADC** factory. When ordering replacement parts from the factory, you can FAX your order to **ADC** at (508) 678-9447 or telephone your order directly to the **ADC** Parts Department at (508) 678-9000. Please specify the dryer **model number** and **serial number** in addition to the **description** and **part number**, so that your order is processed accurately and promptly.

The illustrations on the following pages may not depict your particular dryer exactly. The illustrations are a composite of the various dryer models. Be sure to check the descriptions of the parts thoroughly before ordering.

**“IMPORTANT NOTE TO PURCHASER”**

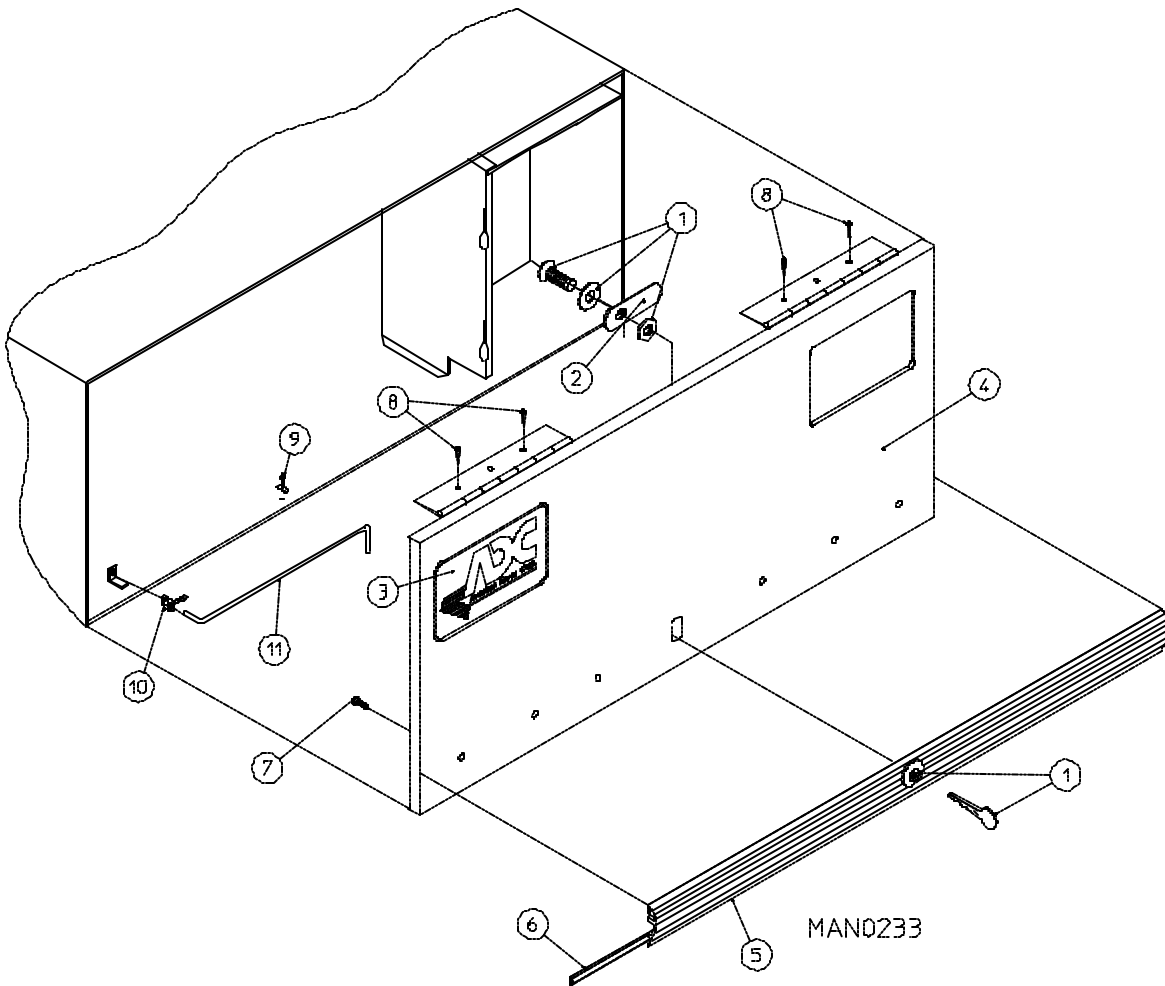
Information **must be** obtained from your local gas supplier on the instructions to be followed if the user smells gas. These instructions **must be** posted in a prominent location near the dryer.

# ***Table of Contents***

AD-30 High Security Control Door Assembly .....	4
AD-50 High Security Control Door Assembly .....	5
Phase 3 OPL Microprocessor Control Panel Assembly .....	6, 7
Phase 3 OPL Microprocessor Control Box Assembly .....	8, 9
Phase 4 OPL Non-Reversing Microprocessor Control Panel Assembly .....	10
Phase 4 OPL Non-Reversing Microprocessor Control Box Assembly .....	11
Phase 4 OPL Reversing Microprocessor Control Panel Assembly .....	12
Phase 4 OPL Reversing Microprocessor Control Box Assembly .....	13
Phase 4 Single Coin Microprocessor Control Panel Assembly .....	14
Phase 4 Single Coin Microprocessor Control Box Assembly .....	15
Phase 4 Dual Coin Microprocessor Control Panel Assembly .....	16
Phase 4 Dual Coin Microprocessor Control Box Assembly .....	17
Phase 4.1 Single Coin Microprocessor Control Panel Assembly .....	18
Phase 4.1 Single Coin Microprocessor Control Box Assembly .....	19
Phase 4.1 Dual Coin Microprocessor Control Panel Assembly .....	20
Phase 4.1 Dual Coin Microprocessor Control Box Assembly .....	21
Dual Timer Control Panel Assembly .....	22, 23
Dual Timer Control Box Assembly .....	24, 25
Non-Microprocessor Coin Meter Control Panel Assembly .....	26, 27
Non-Microprocessor Coin Meter Control Box Assembly .....	28, 29
AD-30/AD-50 Coin Vault Assembly .....	30
AD-30 Slide Meter Case Assembly .....	31
AD-30 Slide Meter Control Box Assembly	
<b>For Models Mfd. with Global® Ignition ONLY</b> .....	32
AD-30 Slide Meter Control Box Assembly	
<b>For Models Mfd. with Direct Spark Ignition (DSI) ONLY</b> .....	33
AD-30/AD-50 Main Door Assembly	
<b>For Door Magnet Type Models ONLY</b> .....	34
AD-30 Front Panel Assembly	
<b>For Door Magnet Type Models ONLY</b> .....	35
AD-30/AD-50 Main Door Assembly	
<b>For Door Latch Type Models ONLY</b> .....	36
AD-50 Front Panel Assembly	
<b>For Door Magnet Type Models ONLY</b> .....	37
AD-30 Front Panel Assembly	
<b>For Door Latch Type Models ONLY</b> .....	38

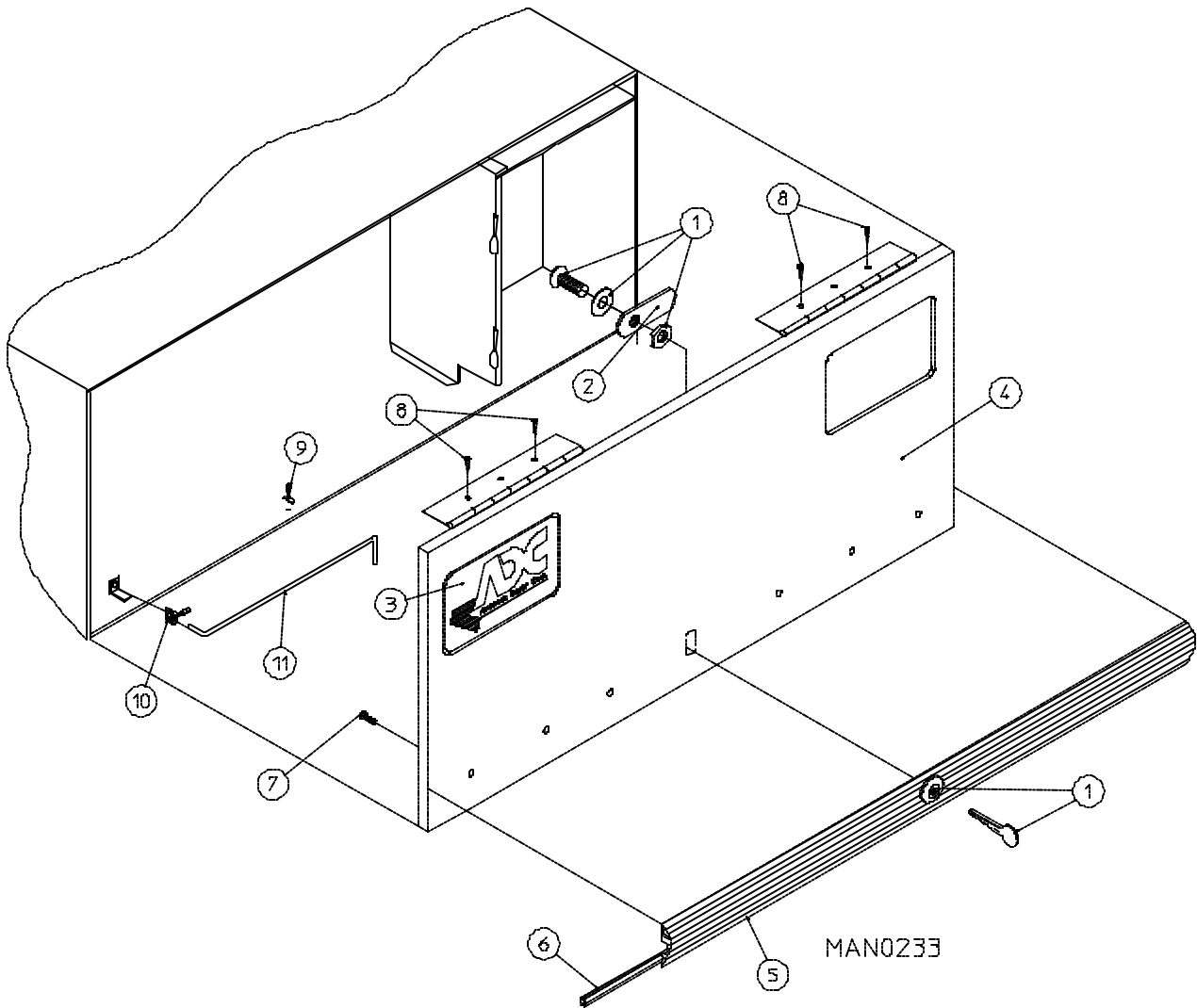
AD-50 Front Panel Assembly	
<b>For Door Latch Type Models ONLY</b> .....	39
Plunger Type Main Door Switch Assembly .....	40
New Style (N.S.) Series Main Door Switch Assembly .....	41
AD-30 Basket (Tumbler)/Support Assemblies	
<b>For Models Mfd. with Non-Tapered Ribs ONLY</b> .....	42
AD-50 Basket (Tumbler)/Support Assemblies	
<b>For Models Mfd. with Non-Tapered Ribs ONLY</b> .....	43
AD-50 Basket (Tumbler)/Support Assemblies	
<b>For Models Mfd. with Tapered Ribs ONLY</b> .....	44
AD-30 Drop Lint Door Assembly .....	45
AD-50 Drop Lint Door Assembly .....	46, 47
AD-30 Lint Trap Assembly .....	48
AD-50 Lint Trap Assembly .....	49
AD-30 Basket (Tumbler) Bearing Assembly .....	50, 51
AD-50 Basket (Tumbler) Bearing Assembly .....	52, 53
AD-30/AD-50 Idler Bearing Assembly .....	54, 55
AD-30 Non-Reversing Totally Enclosed, Fan-Cooled (T.E.F.C.) Motor Mount Assembly	
<b>For Models Mfd. with Non-Tapered Ribs ONLY</b> .....	56, 57
AD-50 Non-Reversing Totally Enclosed, Fan-Cooled (T.E.F.C.) Motor Mount Assembly	
<b>For Models Mfd. with Non-Tapered Ribs ONLY</b> .....	58, 59
AD-50 Reversing Totally Enclosed, Fan-Cooled (T.E.F.C.) Motor Mount Assembly	
<b>For Models Mfd. with Non-Tapered Ribs ONLY</b> .....	60, 61
AD-50 Non-Reversing Totally Enclosed, Fan-Cooled (T.E.F.C.) Motor Mount Assembly	
<b>For Models Mfd. with Tapered Ribs ONLY</b> .....	62, 63
AD-50 Reversing Totally Enclosed, Fan-Cooled (T.E.F.C.) Motor Mount Assembly	
<b>For Models Mfd. with Tapered Ribs ONLY</b> .....	64, 65
Sensor Bracket Assemblies .....	66, 67
ADG-30 Standard Non-Hi/Lo Burner Assembly	
<b>For Models Mfd. with Globar® Ignition ONLY</b> .....	68, 69
ADG-50 Standard Non-Hi/Lo Burner Assembly	
<b>For Models Mfd. with Globar® Ignition ONLY</b> .....	70, 71
ADG-30/ADG-50 Hi/Lo Computerized Burner Assembly	
<b>For Models Mfd. with Globar® Ignition ONLY</b> .....	72, 73
ADG-30/ADG-50 Direct Spark Ignition (DSI) Burner Assembly	
<b>For Models Mfd. with Direct Spark Ignition (DSI) ONLY</b> .....	74, 75
ADE-30/ADE-50 Electric Oven Assembly	
<b>For Models Mfd. as of November 12, 1990</b> .....	76, 77

ADE-30/ADE-50 Electric Oven Assembly	
<b>For Models Mfd. prior to November 12, 1990</b> .....	78, 79
ADG-30/ADG-50 Sail Switch/Hi-Limit Assemblies	
<b>For Global® Models and Direct Spark Ignition (DSI) Models ONLY</b> .....	80
ADG-30/ADG-50 Replacement Coils For 3/8" Non-Hi/Lo Gas Valve	
<b>For Global® Ignition Models ONLY</b> .....	81
ADG-30/ADG-50 Replacement Coils For 3/8" Hi/Lo Gas Valve	
<b>For Global® Ignition Models ONLY</b> .....	82
Microprocessor Reversing Rear Control Box Assembly	
<b>For Models Mfd. with 208 Volt or 230 Volt Controls with Telemecanique Relays</b> .....	83
Dual Timer Reversing Rear Control Box Assembly	
<b>For Models Mfd. with 208 Volt or 230 Volt Controls with Telemecanique Relays</b> .....	84
Microprocessor Reversing Rear Control Box Assembly	
<b>For Models Mfd. with 208 Volt or 230 Volt Controls with Dunco (Struthers-Dunn) Relays</b> ...	85
Dual Timer Reversing Rear Control Box Assembly	
<b>For Models Mfd. with 208 Volt or 230 Volt Controls with Dunco (Struthers-Dunn) Relays</b> ...	86
3-Phase (3Ø) Motor, Electric Relay Panel Assembly	
<b>For Models Mfd. with 208 Volt or 230 Volt Controls with Furnas Relays</b> .....	87
3-Phase (3Ø) Motor, Electric Relay Panel Assembly	
<b>For Models Mfd. with 208 Volt or 230 Volt Controls with Telemecanique Relays</b> .....	88
Control/Heat Step Down Transformer	
<b>For Global® Models and High Pressure Motorized Steam Valve Models ONLY</b> .....	89
ADS-30 Steam Coil Damper Assembly .....	90, 91
ADS-50 Steam Coil Damper Assembly .....	92, 93
ADS-30/ADS-50 Steam Coil/Valve Assembly	
<b>For Motorized Type and Solenoid Type Models ONLY</b> .....	94
AD-30/AD-50 Outer Top/Back Guard Assemblies .....	95
ADG-30/ADG-50 Heat Reclaimer Assembly .....	96
Relay Board Listing .....	97
Microprocessor Coin Acceptors Listing .....	98
Coin Meter Replacement Parts .....	99
ADG-30/ADG-50 Global® Burner Assembly Specifications .....	100
ADG-30/ADG-50 Direct Spark Ignition (DSI) Burner Assembly Specifications .....	101
ADE-30/ADE-50 Electric Oven Component Application Charts	
<b>For Models Mfd. as of November 12, 1990</b> .....	102
ADE-30/ADE-50 Electric Oven Component Application Charts	
<b>For Models Mfd. prior to November 12, 1990</b> .....	103
Additional Parts Available .....	104



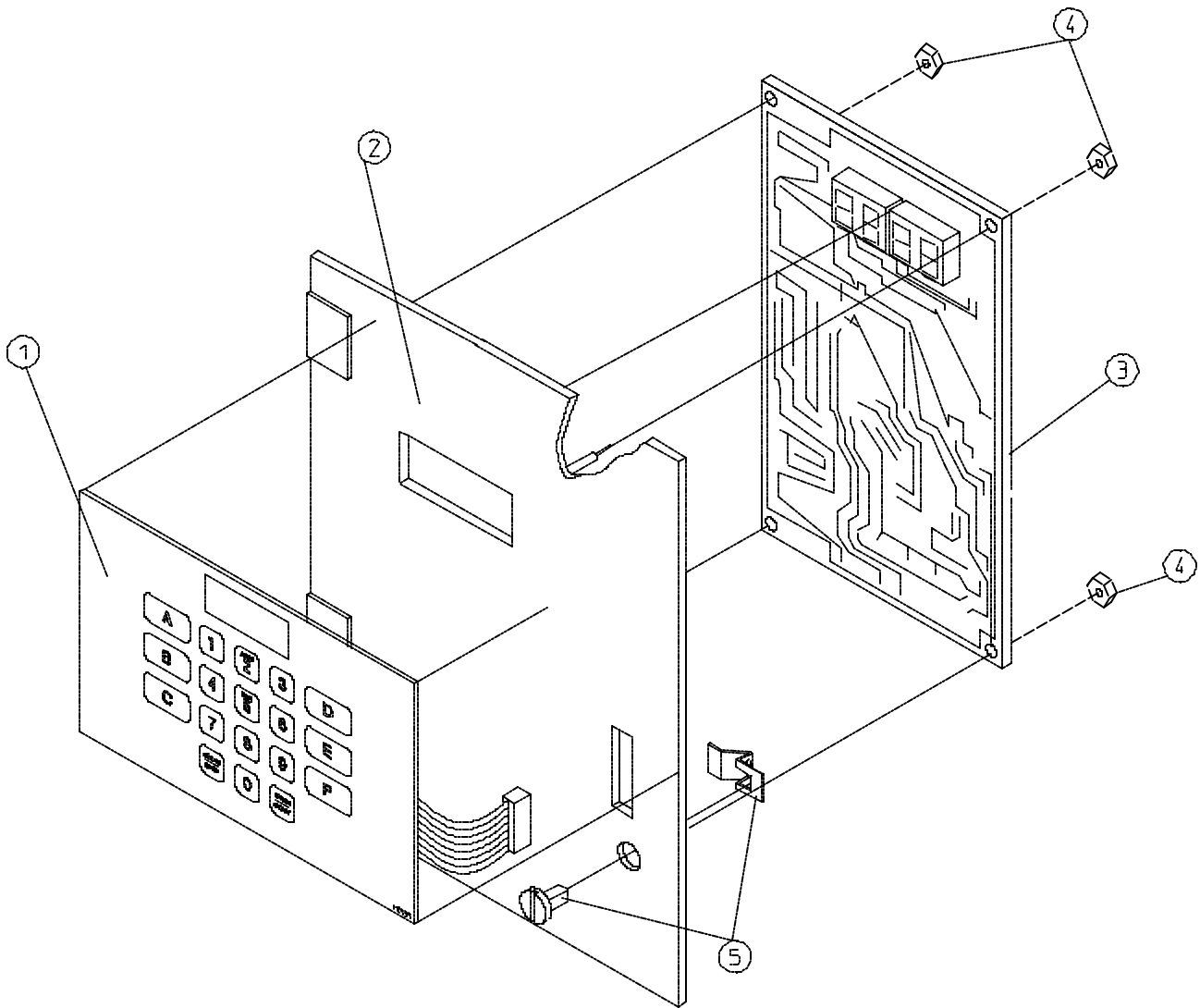
<u>Illus. No.</u>	<u>Part No.</u>	<u>Qty.</u>	<u>Description</u>
1	160015	1	High Security MK-100 Lock Assembly with Key (for coin models Only)
	160017	1	Special Dummy Lock ONLY (for non-coin models Only)
	160104	1	MK-100 Key ONLY
2	160016	1	Lock Cam ONLY
3	881053	1	<b>ADC</b> Logo with Tape
	870011	1	Double Sided Tape Kit
4	800023*	1	AD-30 High Security Control Door Assembly without Lock (includes illus. nos. 4 through 7)
	800140	1	AD-30 Stainless Steel High Security Control Door Assembly without Lock (includes illus. nos. 4 through 7)
5	180200	1	AD-30 Top Gray Trim Strip with Lock Hole
6	102307	3	Trim Bumper Gasket (sold by the foot)
7	150201	5	#10-32 x 1/4" Phillips Pan Head TEK Screw
8	150309	4	#10-16 x 1/2" Hex Head TEK Crimpite Screw
9	102600	1	Control Door Rod Support Catch
10	102601	1	Control Door Rod Retainer Clip
11	102502	1	Control Door Support Rod

\* Specify color when ordering.



<u>Illus. No.</u>	<u>Part No.</u>	<u>Qty.</u>	<u>Description</u>
1	160015	1	High Security MK-100 Lock Assembly with Key (for coin models Only)
	160017	1	Special Dummy Lock ONLY (for non-coin models Only)
	160104	1	MK-100 Key ONLY
2	160032	1	Lock Cam ONLY
3	881053	1	<b>ADC</b> Logo with Tape
	870011	1	Double Sided Tape Kit
4	800022*	1	AD-50 High Security Control Door Assembly without Lock (includes illus. nos. 4 through 7)
5	180201	1	AD-50 Top Gray Trim Strip with Lock Hole
6	102307	3	Trim Bumper Gasket (sold by the foot)
7	150201	5	#10-32 x 1/4" Phillips Pan Head TEK Screw
8	150309	4	#10-16 x 1/2" Hex Head TEK Crimpite Screw
9	102600	1	Control Door Rod Support Catch
10	102601	1	Control Door Rod Retainer Clip
11	102502	1	Control Door Support Rod

\* Specify color when ordering.



MAN0175

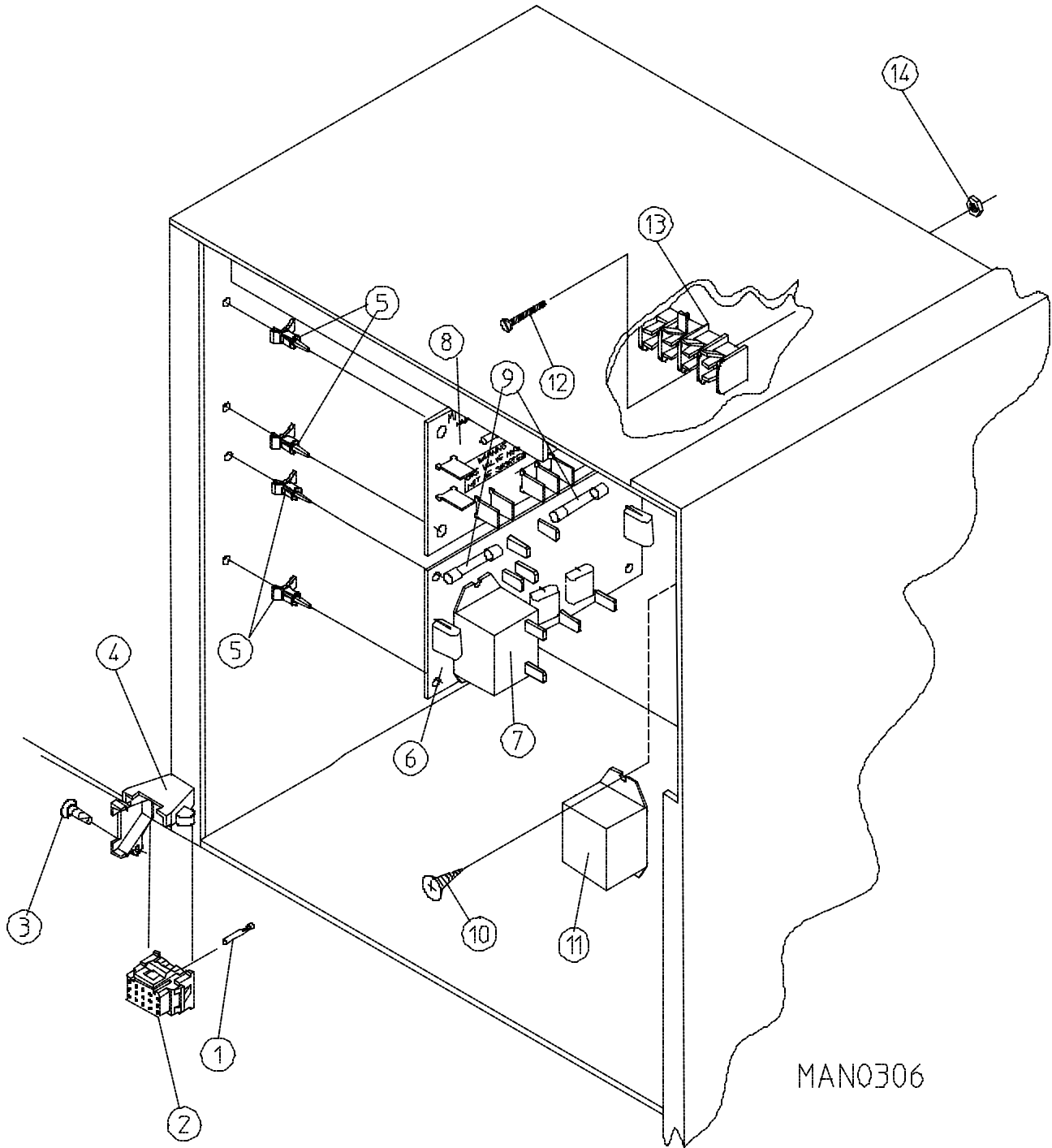


<u>Illus. No.</u>	<u>Part No.</u>	<u>Qty.</u>	<u>Description</u>
1	112535	1	OPL English Keyboard Label Assembly
	112276	1	OPL Stick-On Labels (English Only) ... Not Illustrated
	112275	1	OPL Stick-On Labels (Spanish, Italian, and Hebrew) ... Not Illustrated
	112277	1	3 Language OPL Stick-On Labels (English, Spanish, and Hebrew) ... Not Illustrated
	112278	1	5 Language OPL Stick-On Labels (Italian, Dutch, French, German, and Chinese) ... Not Illustrated
2	800057	1	Microprocessor Controller (computer) Control Panel ONLY
	800164	1	Microprocessor Controller (computer) Control Panel ONLY with Battery Bracket
	800161	1	Phase 3 OPL Non-Reversing Control Panel Assembly Complete (includes illus. nos. 1 through 5)
	800163	1	Phase 3 OPL Non-Reversing Control Panel Assembly Complete with Battery Option (includes illus. nos. 1 through 5)
	865088*	1	Phase 3 OPL Reversing Control Panel Assembly Complete (includes illus. nos. 1 through 5)
	865089*	1	Phase 3 OPL Reversing Control Panel Assembly Complete with Battery Option (includes illus. nos. 1 through 5)
3	137092	1	Phase 3 OPL Non-Reversing Microprocessor Controller (computer) ONLY
	137093	1	Phase 3 OPL Non-Reversing Microprocessor Controller (computer) ONLY with Battery Clip
	137094	1	Phase 3 OPL Reversing Microprocessor Controller (computer) ONLY
	137095	1	Phase 3 OPL Reversing Microprocessor Controller (computer) ONLY with Battery Clip
4	152001	4	#8-32 Hex Nut
5	882541	1	Spring Turn Latch Assembly

\* Used on dryer models with reversing option ONLY.

**IMPORTANT:** Check label on computer chip to verify correct part number of microprocessor controller (computer).

**NOTE:** OPL microprocessor controllers (computers) listed are suitable for **ALL** voltage applications.

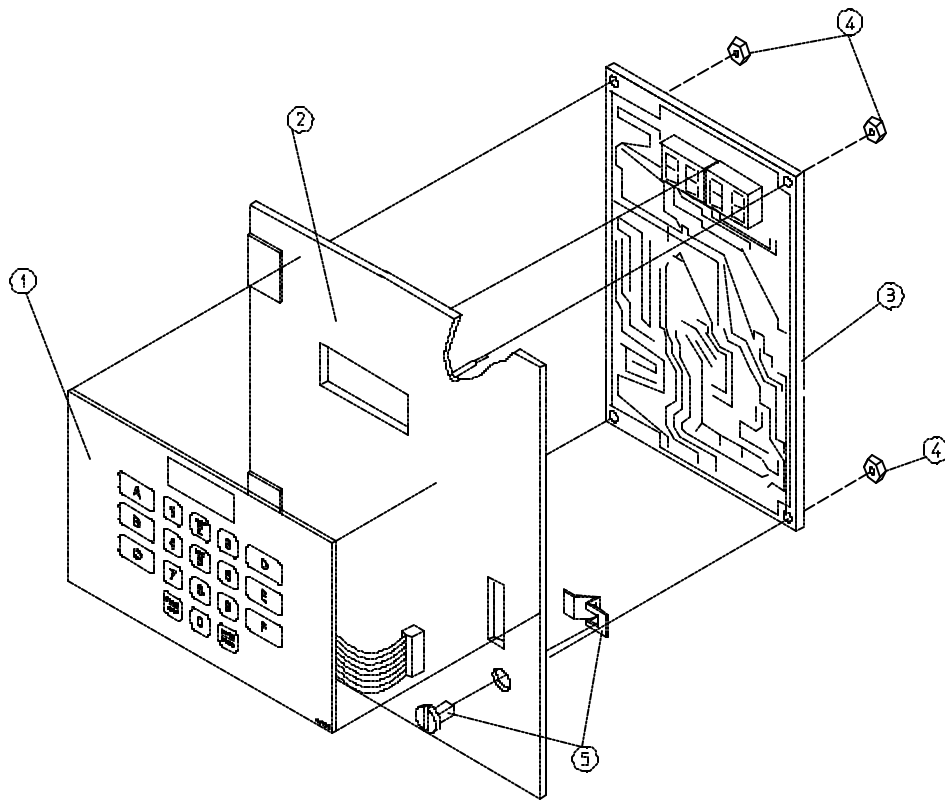


<u>Illus. No.</u>	<u>Part No.</u>	<u>Qty.</u>	<u>Description</u>
1	137021	*	Microprocessor Socket ONLY
	122800	1	Microprocessor (female) Pin Extraction Tool
2	137020	1	15-Pin Microprocessor Connector ONLY
3	150315	1	#6 x 3/8" Phillips Pan Head Screw
4	137022	1	15-Pin Strain Relief ONLY
5	137013	**	Nylon Standoff
6	-----	1	Arc Suppressor (A.S.) Relay Board (refer to <b>Relay Board Listing</b> on <b>page 97</b> )
	137061	1	Arc Suppressor (A.S.) Board ONLY without Relays
7	131916	***	P.C.B. (electromechanical) Relay ONLY (for 120 volt models Only)
	131930	***	P.C.B. (electromechanical) Relay ONLY (for 208/230 volt models Only)
8	140150	1	Diode Logic Board (for gas models Only)
9	136052	***	4-Amp Fuse ONLY
10	150309	2	#10-16 x 1/2" Hex Head TEK Crimptite Screw
11	131030	1	Steam Valve Relay (for high pressure steam models Only) For 120 Volt Models ONLY
	131031	1	Steam Valve Relay (for high pressure steam models Only) For 208/230 Volt Models ONLY
12	150002	2	#6-32 x 1" Phillips Round Head Machine Screw
13	120709	1	8-Position Terminal Strip
14	151000	2	#6-32 Pal Nut

\* Quantity required is 13 or 15 required.

\*\* Quantity required is 4 or 8 required.

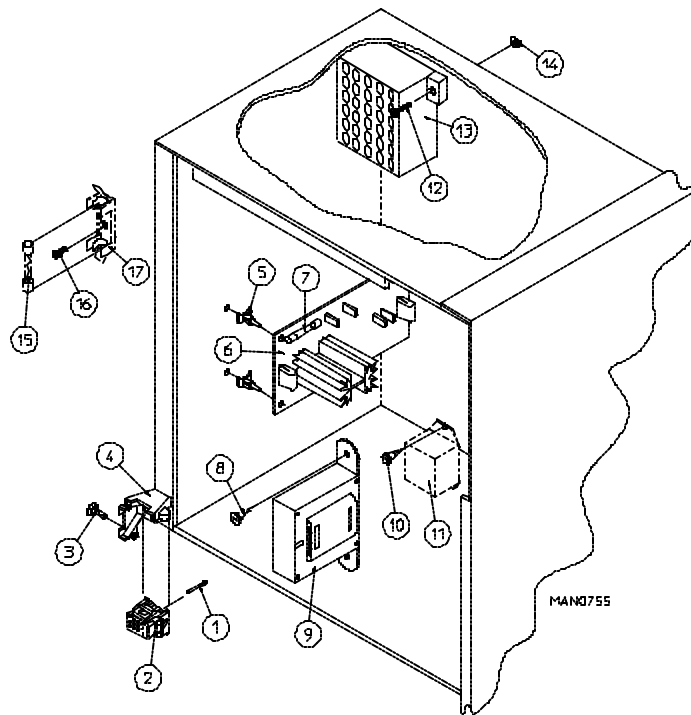
\*\*\* Quantity required is 1 or 2 required.



MAN0175

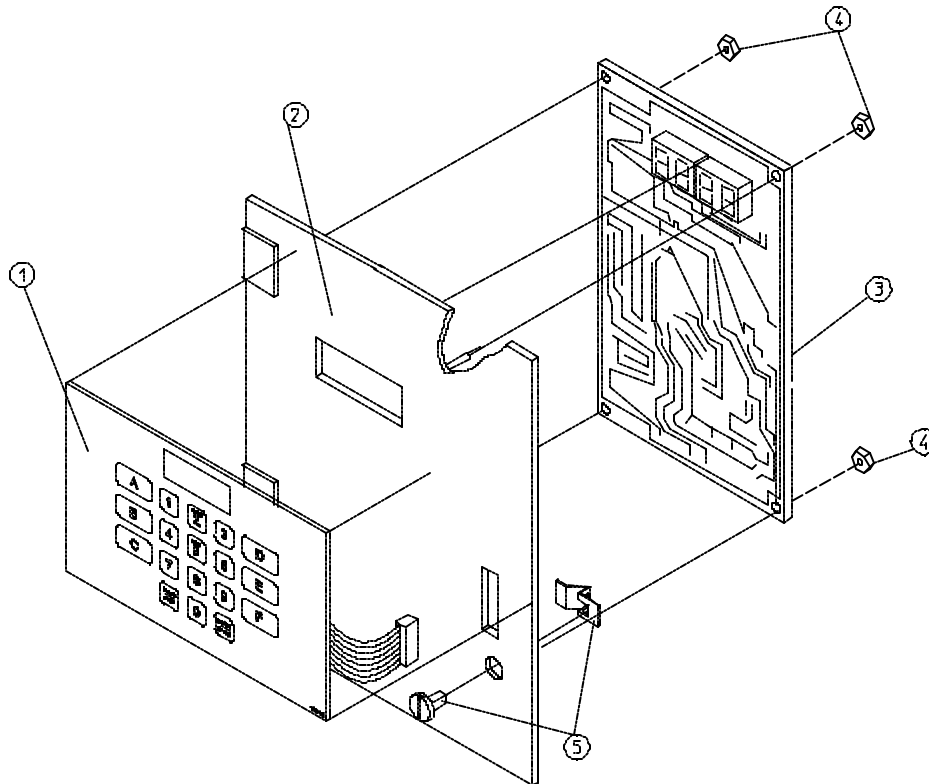
<u>Illus. No.</u>	<u>Part No.</u>	<u>Qty.</u>	<u>Description</u>
1	112535	1	OPL English Keyboard Label Assembly
	112276	1	OPL Stick-On Labels (English Only) ... Not Illustrated
	112275	1	OPL Stick-On Labels (Spanish, Italian, and Hebrew) ... Not Illustrated
	112277	1	3 Language OPL Stick-On Labels (English, Spanish, and Hebrew) ... Not Illustrated
	112278	1	5 Language OPL Stick-On Labels (Italian, Dutch, French, German, and Chinese) ... Not Illustrated
2	800057	1	Microprocessor Controller (computer) Control Panel ONLY
	800164	1	Microprocessor Controller (computer) Control Panel ONLY with Battery Bracket
	800171	1	Phase 4 OPL Non-Reversing Control Panel Assembly Complete (includes illus. nos. 1 through 5)
	865095	1	Phase 4 OPL Non-Reversing Control Panel Assembly Complete with Battery Option (includes illus. nos. 1 through 5)
3	137125	1	Phase 4 OPL Non-Reversing Microprocessor Controller (computer) ONLY
	137126	1	Phase 4 OPL Non-Reversing Microprocessor Controller (computer) ONLY with Battery Clip
4	152001	4	#8-32 Hex Nut
5	882541	1	Spring Turn Latch Assembly

**IMPORTANT:** Check label on computer chip to verify correct part number of microprocessor controller (computer).



<u>Illus. No.</u>	<u>Part No.</u>	<u>Qty.</u>	<u>Description</u>
1	137021	12	Microprocessor Socket ONLY
	122800	1	Microprocessor (female) Pin Extraction Tool
2	137020	1	15-Pin Microprocessor Connector ONLY
3	150315	1	#6 x 3/8" Phillips Pan Head Screw
4	137022	1	15-Pin Strain Relief ONLY
5	137013	4	Nylon Standoff
6	-----	1	Solid State Relay (SSR) Board (refer to <b>Relay Board Listing</b> on <b>page 97</b> )
	137061	1	Arc Suppressor (A.S.) Board ONLY without Relays
	131916	1	P.C.B. (electromechanical) Relay ONLY (for 120 volt models Only)
	131930	1	P.C.B. (electromechanical) Relay ONLY (for 208/230 volt models Only)
7	136057	*	1/2-Amp (slo blo) Fuse ONLY
	136052	*	4-Amp Fuse ONLY
8	150300	2	#10-16 x 1/2" Hex Washer TEK Screw
9	141403	1	Direct Spark Ignition (DSI) 24 VAC Transformer (for gas models with Direct Spark Ignition [DSI] Only)
10	150309	2	#10-16 x 1/2" Hex Head TEK Crimptite Screw
11	131030	1	Steam Valve Relay (for high pressure steam models Only) For 120 Volt Models ONLY
	131031	1	Steam Valve Relay (for high pressure steam models Only) For 208/230 Volt Models ONLY
12	150002	2	#6-32 x 1" Phillips Round Head Machine Screw
13	120715	1	30-Position Terminal Block
14	151000	2	#6-32 Pal Nut
15	136057	*	1/2-Amp (slo blo) Fuse ONLY
16	150301	*	#8-18 x 7/16" Phillips Pan Head TEK Screw
17	136008	*	Fuse Block/Strip ONLY

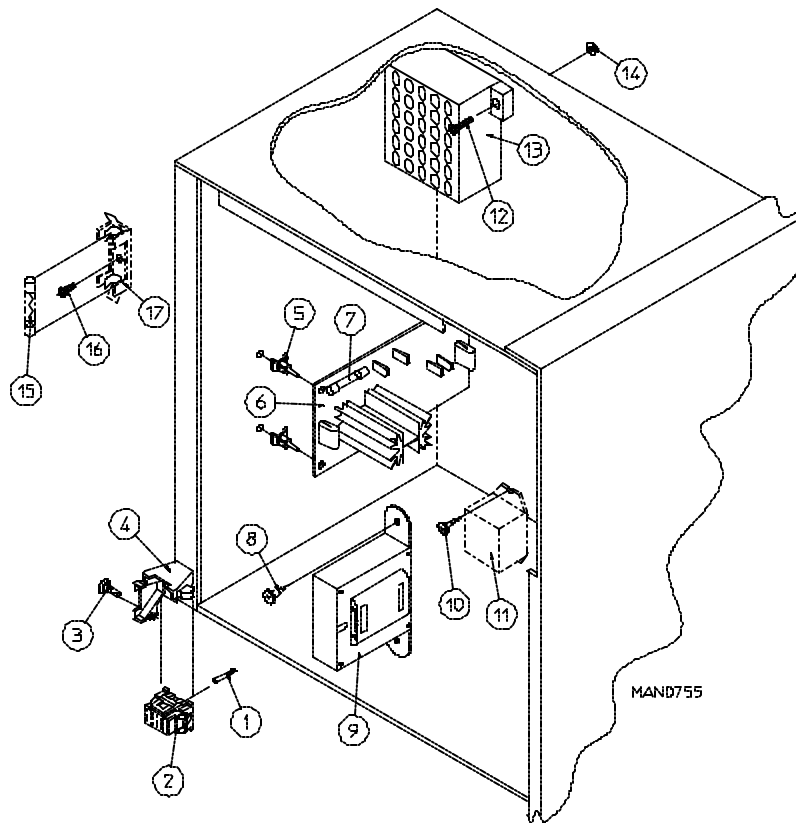
\* As required.



MAND175

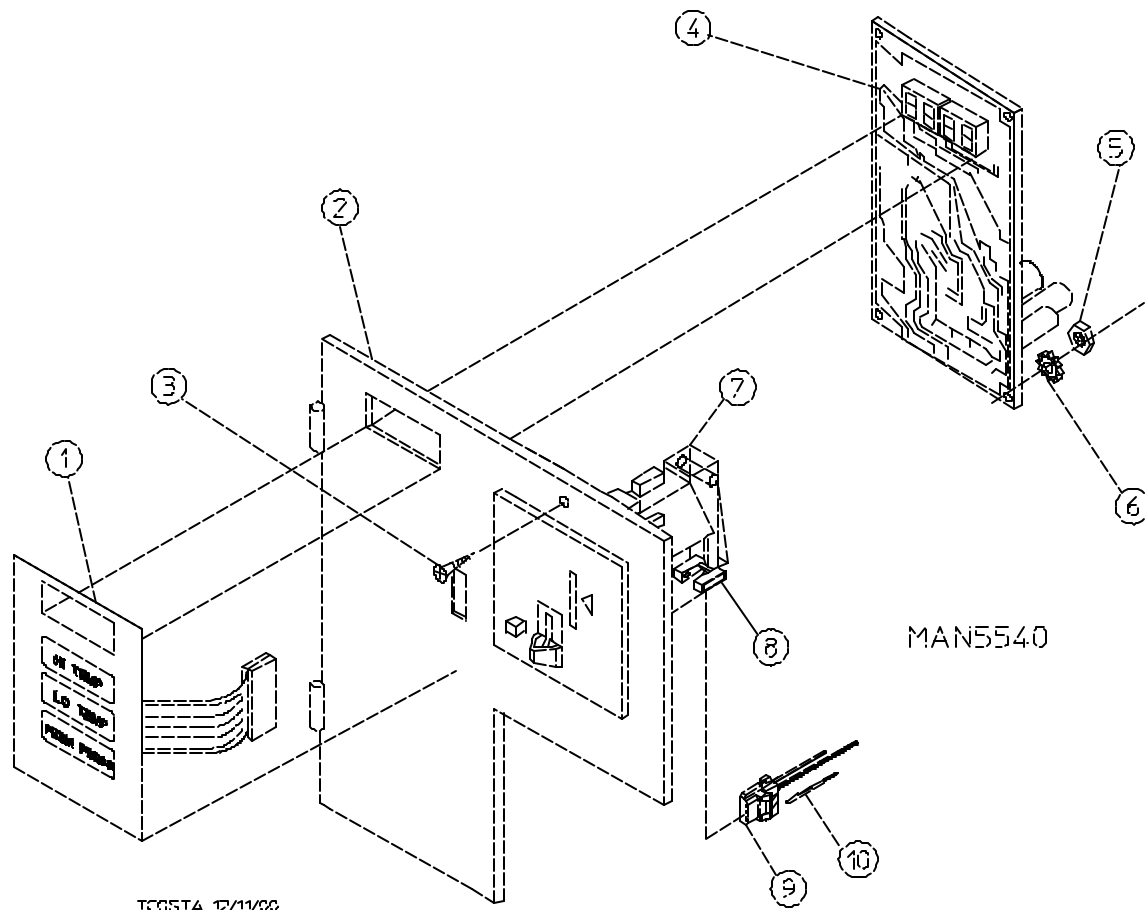
<u>Illus. No.</u>	<u>Part No.</u>	<u>Qty.</u>	<u>Description</u>
1	112535	1	OPL English Keyboard Label Assembly
	112276	1	OPL Stick-On Labels (English Only) ... Not Illustrated
	112275	1	OPL Stick-On Labels (Spanish, Italian, and Hebrew) ... Not Illustrated
	112277	1	3 Language OPL Stick-On Labels (English, Spanish, and Hebrew) ... Not Illustrated
	112278	1	5 Language OPL Stick-On Labels (Italian, Dutch, French, German, and Chinese) ... Not Illustrated
2	800057	1	Microprocessor Controller (computer) Control Panel ONLY
	800164	1	Microprocessor Controller (computer) Control Panel ONLY with Battery Bracket
	865092	1	Phase 4 OPL Reversing Control Panel Assembly Complete (includes illus. nos. 1 through 5)
	865096	1	Phase 4 OPL Reversing Control Panel Assembly Complete with Battery Option (includes illus. nos. 1 through 5)
3	137127	1	Phase 4 OPL Reversing Microprocessor Controller (computer) ONLY
	137128	1	Phase 4 OPL Reversing Microprocessor Controller (computer) ONLY with Battery Clip
4	152001	4	#8-32 Hex Nut
5	882541	1	Spring Turn Latch Assembly

**IMPORTANT:** Check label on computer chip to verify correct part number for microprocessor controller (computer).



Illus. No.	Part No.	Qty.	Description
1	137021	12	Microprocessor Socket ONLY
	122800	1	Microprocessor (female) Pin Extraction Tool
2	137020	1	15-Pin Microprocessor Connector ONLY
3	150315	1	#6 x 3/8" Phillips Pan Head Screw
4	137022	1	15-Pin Strain Relief ONLY
5	137013	4	Nylon Standoff
6	-----	1	Solid State Relay (SSR) Board (refer to <b>Relay Board Listing</b> on <b>page 97</b> )
	137061	1	Arc Suppressor (A.S.) Board ONLY without Relays
	131930	1	P.C.B. (electromechanical) Relay ONLY (for 220 volt models Only)
7	136057	*	1/2-Amp (slo blo) Fuse ONLY
	136052	*	4-Amp Fuse ONLY
8	150300	2	#10-16 x 1/2" Hex Washer TEK Screw
9	141403	1	Direct Spark Ignition (DSI) 24 VAC Transformer (for gas models with Direct Spark Ignition [DSI] Only)
10	150309	2	#10-16 x 1/2" Hex Head TEK Crimptite Screw
11	131030	1	Steam Valve Relay (for high pressure steam models Only) For 120 Volt Models ONLY
12	150002	2	#6-32 x 1" Phillips Round Head Machine Screw
13	120715	1	30-Position Terminal Block
14	151000	2	#6-32 Pal Nut
15	136057	*	1/2-Amp (slo blo) Fuse ONLY
16	150301	*	#8-18 x 7/16" Phillips Pan Head TEK Screw
17	136008	*	Fuse Block/Strip ONLY

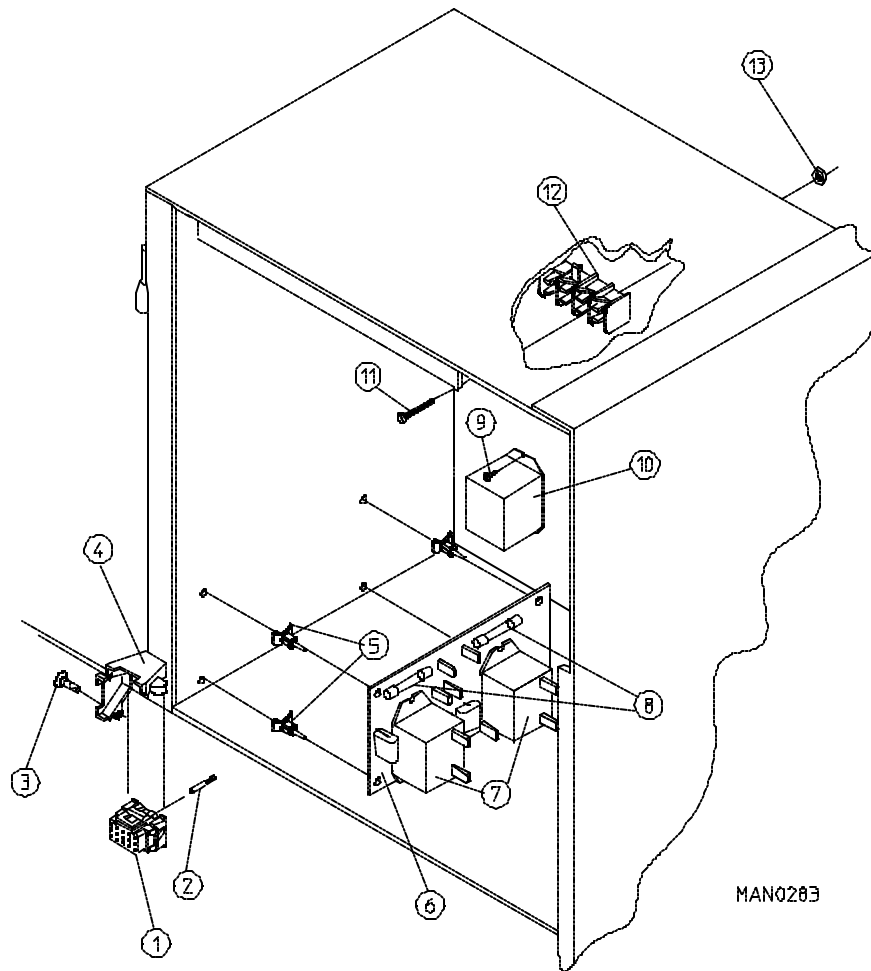
\* As required.



<u>Illus. No.</u>	<u>Part No.</u>	<u>Qty.</u>	<u>Description</u>
1	112526	1	Coin Keyboard Label Assembly
2	800088	1	Phase 4 Coin Control Panel Assembly (includes illus. nos. 1, 2, 4, 5, and 6)
	800168	1	Phase 4 Coin Control Panel Assembly with Battery Option (includes illus. nos. 1, 2, 4, 5, and 6)
	800040	1	Coin Control Panel ONLY
	800039	1	Coin Control Panel ONLY with Battery Bracket
3	150415	1	#10-16 x 1/2" Phillips Round Head CrimpTite Screw
4	137110	1	Phase 4 Coin Microprocessor Controller (computer) ONLY
	137115	1	Phase 4 Coin Microprocessor Controller (computer) ONLY with Battery Clip
5	152001	4	#8-32 Hex Nut
6	153012	4	#8 Star Washer
7	-----	1	Microprocessor Single Coin Acceptor with Optical Switch (refer to <b>Microprocessor Coin Acceptors Listing</b> on <a href="#">page 98</a> )
8	137056	1	Optic Switch ONLY
9	137023	1	Optic Switch Connector ONLY
10	137021	3	Microprocessor Socket ONLY
	865050	1	Single Coin Optical Switch Harness
--	122800	1	Microprocessor (female) Pin Extraction Tool

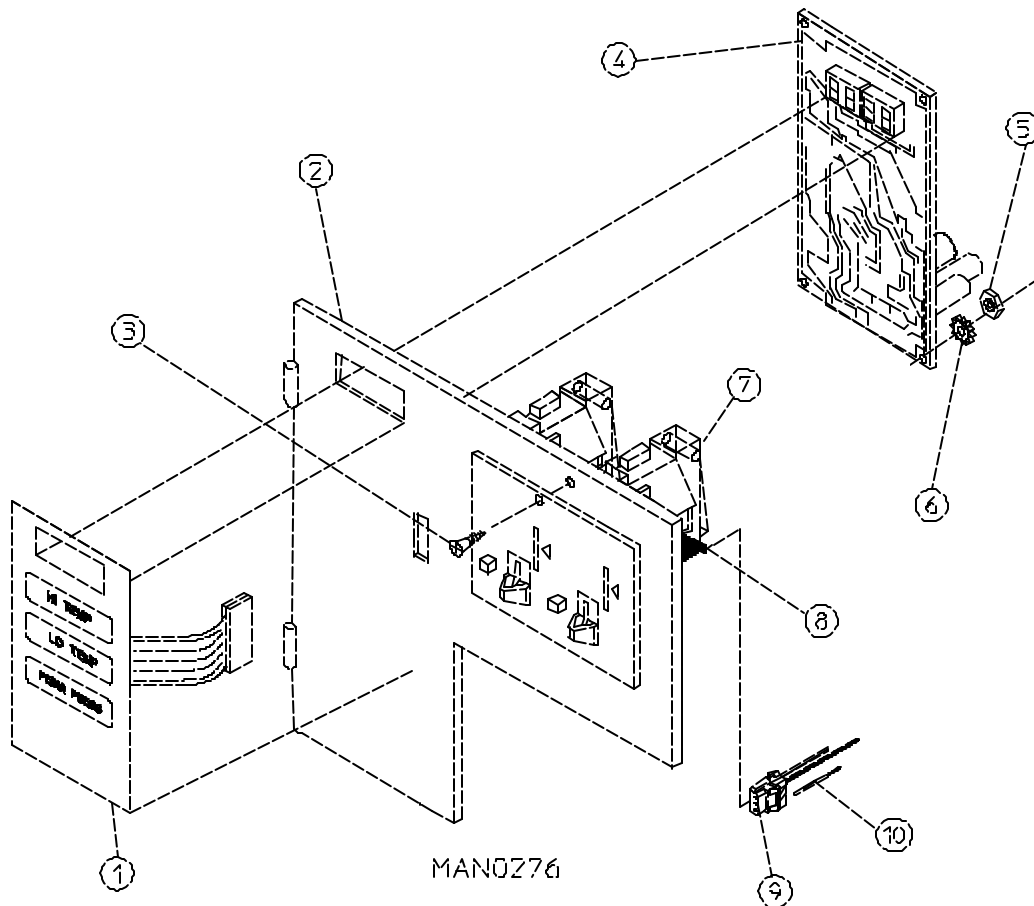
**IMPORTANT:** Check label on computer chip to verify correct part number for microprocessor controller (computer).





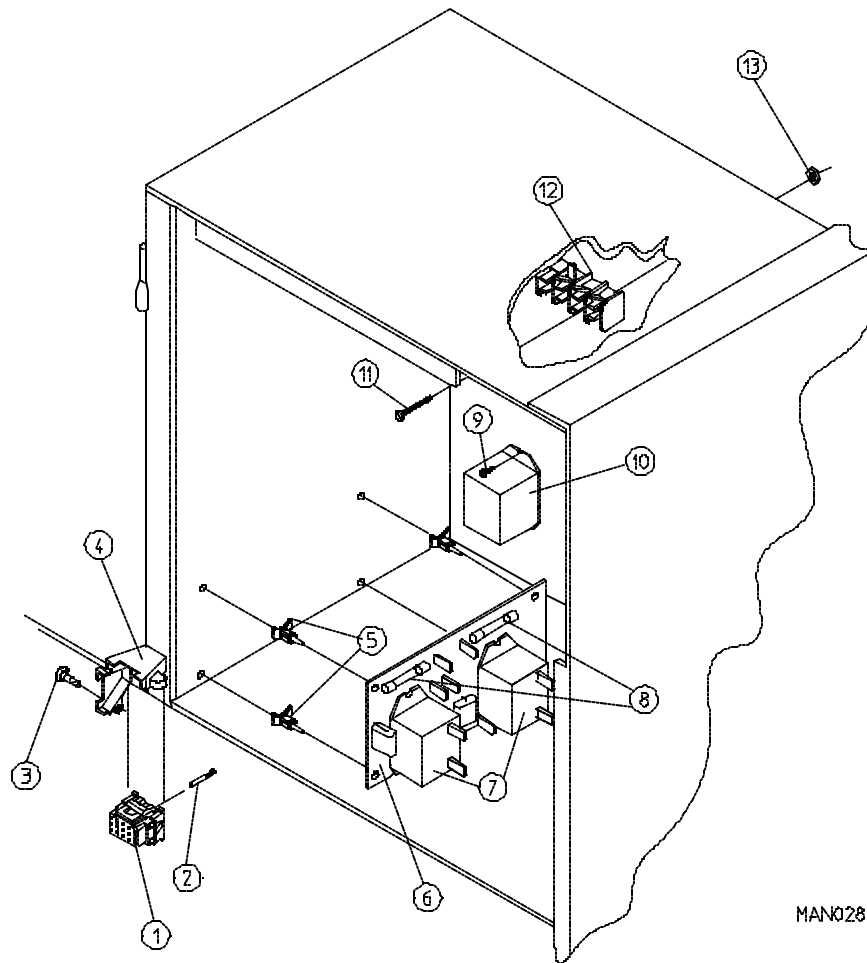
<u>Illus. No.</u>	<u>Part No.</u>	<u>Qty.</u>	<u>Description</u>
1	137020	1	15-Pin Microprocessor Connector ONLY
2	137021	14	Microprocessor Socket ONLY
	122800	1	Microprocessor (female) Pin Extraction Tool
3	150315	1	#6 x 3/8" Phillips Pan Head Screw
4	137022	1	15-Pin Strain Relief ONLY
5	137013	4	Nylon Standoff
6	-----	1	Arc Suppressor (A.S.) Relay Board (refer to <b>Relay Board Listing</b> on <b>page 97</b> )
	137061	1	Arc Suppressor (A.S.) Board ONLY without Relays
7	131916	*	P.C.B. (electromechanical) Relay ONLY (for 120 volt models Only)
	131930	*	P.C.B. (electromechanical) Relay ONLY (for 208/230 volt models Only)
8	136052	*	4-Amp Fuse ONLY
9	150309	2	#10-16 x 1/2" Hex Head TEK Crimptite Screw
10	131030	1	Steam Valve Relay (for high pressure steam models Only) For 120 Volt Models ONLY
	131031	1	Steam Valve Relay (for high pressure steam models Only) For 208/230 Volt Models ONLY
11	150002	2	#6-32 x 1" Phillips Round Head Machine Screw
12	120709	1	8-Position Terminal Strip
13	151000	2	#6-32 Pal Nut

\* Quantity required is 1 or 2.



<u>Illus. No.</u>	<u>Part No.</u>	<u>Qty.</u>	<u>Description</u>
1	112526	1	Coin Keyboard Label Assembly
2	800088	1	Phase 4 Coin Control Panel Assembly (includes illus. nos. 1, 2, 4, 5, and 6)
	800168	1	Phase 4 Coin Control Panel Assembly with Battery Option (includes illus. nos. 1, 2, 4, 5, and 6)
	800040	1	Coin Control Panel ONLY
	800039	1	Coin Control Panel ONLY with Battery Bracket
3	150309	1	#10-16 x 1/2" Hex Head TEK Crimptite Screw
4	137110	1	Phase 4 Coin Microprocessor Controller (computer) ONLY
	137115	1	Phase 4 Coin Microprocessor Controller (computer) ONLY with Battery Clip
5	152001	2	#8-32 Hex Nut
6	153012	2	#8 Star Washer
7	-----	1	Microprocessor Dual Coin Acceptor with Optical Switch (refer to <b>Microprocessor Coin Acceptors Listing</b> on <b>page 98</b> )
8	137056	1	Optic Switch ONLY
9	137023	1	Optic Switch Connector ONLY
10	137021	3	Microprocessor Socket ONLY
	865050	1	Single Coin Optical Switch Harness
	122800	1	Microprocessor (female) Pin Extraction Tool

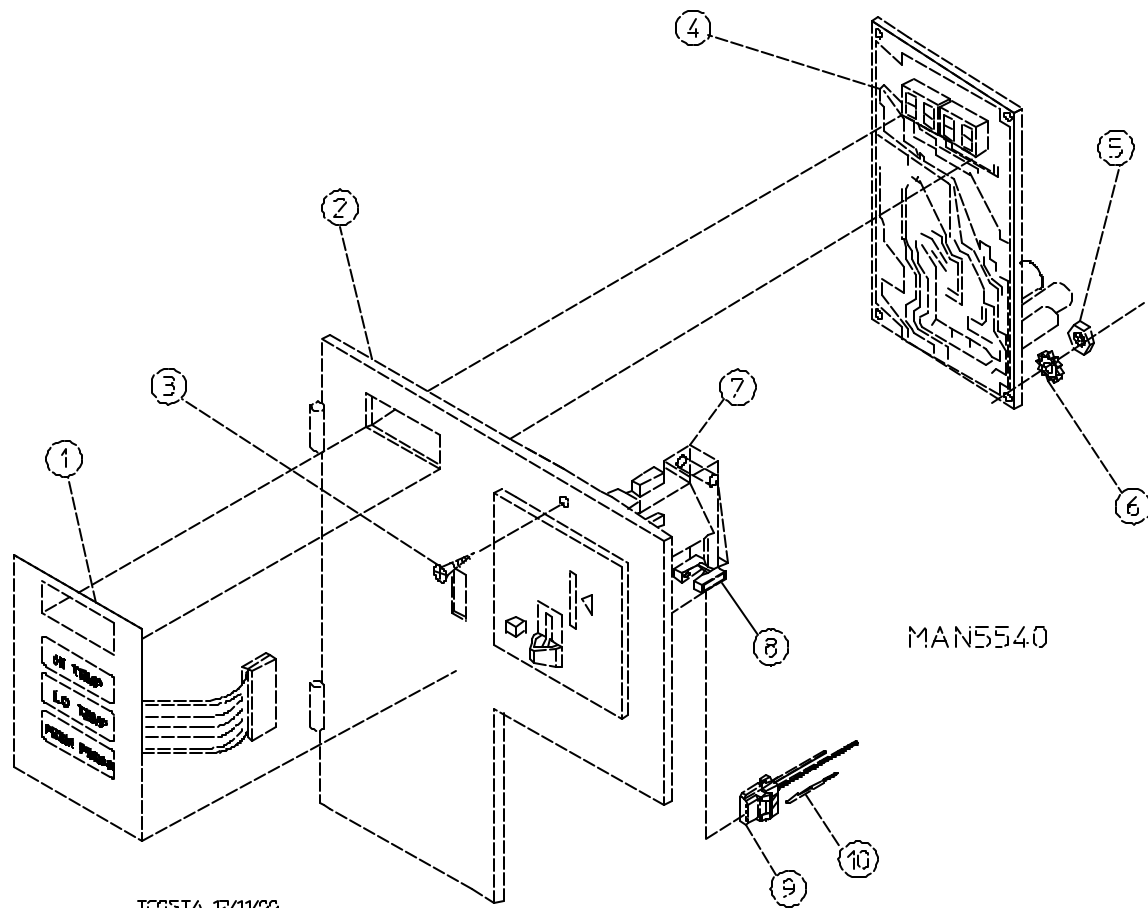
**IMPORTANT:** Check label on computer chip to verify correct part number for microprocessor controller (computer).



MAN0283

<u>Illus. No.</u>	<u>Part No.</u>	<u>Qty.</u>	<u>Description</u>
1	137020	1	15-Pin Microprocessor Connector ONLY
2	137021	15	Microprocessor Socket ONLY
	122800	1	Microprocessor (female) Pin Extraction Tool
3	150315	1	#6 x 3/8" Phillips Pan Head Screw
4	137022	1	15-Pin Strain Relief ONLY
5	137013	4	Nylon Standoff
6	-----	1	Arc Suppressor (A.S.) Relay Board (refer to <b>Relay Board Listing</b> on <b>page 97</b> )
	137061	1	Arc Suppressor (A.S.) Board ONLY without Relays
7	131916	*	P.C.B. (electromechanical) Relay ONLY (for 120 volt models Only)
	131930	*	P.C.B. (electromechanical) Relay ONLY (for 208/230 volt models Only)
8	136052	*	4-Amp Fuse ONLY
9	150309	2	#10-16 x 1/2" Hex Head TEK Crimptite Screw
10	131030	1	Steam Valve Relay (for high pressure steam models Only) For 120 Volt Models ONLY
	131031	1	Steam Valve Relay (for high pressure steam models Only) For 208/230 Volt Models ONLY
11	150002	2	#6-32 x 1" Phillips Round Head Machine Screw
12	120709	1	8-Position Terminal Strip
13	151000	2	#6-32 Pal Nut

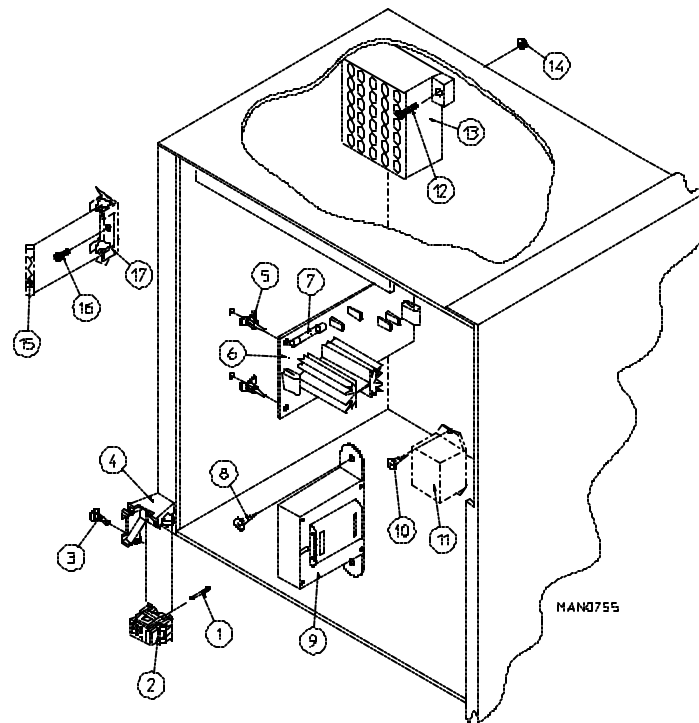
\* Quantity required is 1 or 2.



TCGSTA 12/11/00

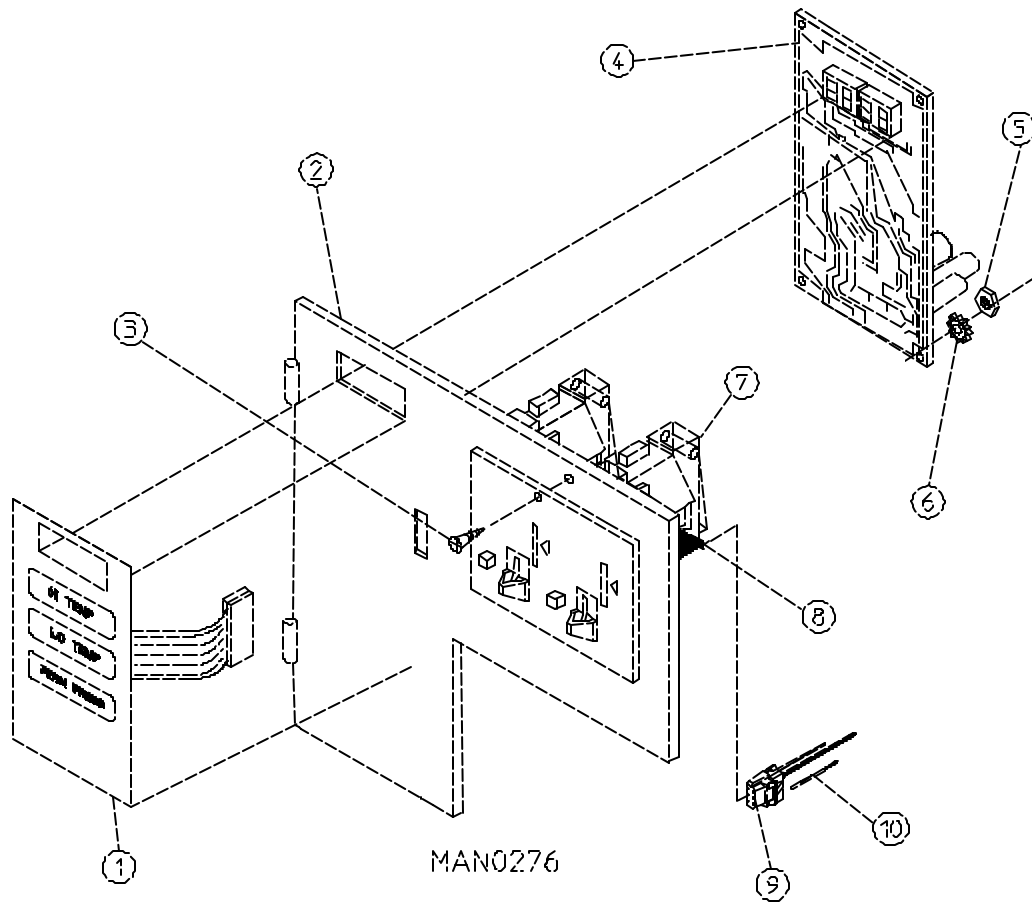
<u>Illus. No.</u>	<u>Part No.</u>	<u>Qty.</u>	<u>Description</u>
1	112526	1	Coin Keyboard Label Assembly
2	865098	1	Phase 4.1 Coin Control Panel Assembly (includes illus. nos. 1, 2, 4, 5, and 6)
	865099	1	Phase 4.1 Coin Control Panel Assembly with Battery Option (includes illus. nos. 1, 2, 4, 5, and 6)
	800040	1	Coin Control Panel ONLY
	800039	1	Coin Control Panel ONLY with Battery Bracket
3	150415	1	#10-16 x 1/2" Phillips Round Head CrimpTite Screw
4	137130	1	Phase 4.1 Coin Microprocessor Controller (computer) ONLY
	137131	1	Phase 4.1 Coin Microprocessor Controller (computer) ONLY with Battery Clip
5	152001	4	#8-32 Hex Nut
6	153012	4	#8 Star Washer
7	-----	1	Microprocessor Single Coin Acceptor with Optical Switch (refer to <b>Microprocessor Coin Acceptors Listing</b> on <b>page 98</b> )
8	137056	1	Optic Switch ONLY
9	137023	1	Optic Switch Connector ONLY
10	137021	3	Microprocessor Socket ONLY
---	865050	1	Single Coin Optical Switch Harness
---	122800	1	Microprocessor (female) Pin Extraction Tool

**IMPORTANT:** Check label on computer chip to verify correct part number for microprocessor controller (computer).



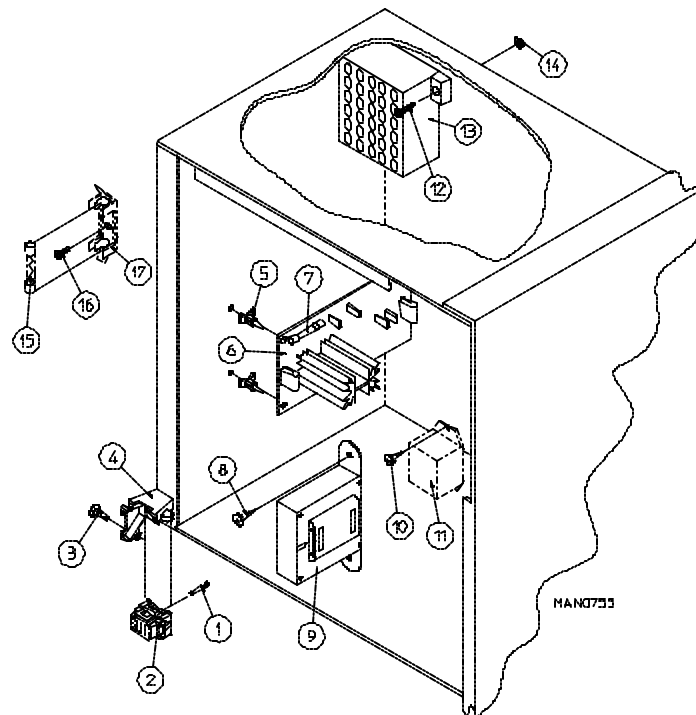
<u>Illus. No.</u>	<u>Part No.</u>	<u>Qty.</u>	<u>Description</u>
1	137021	12	Microprocessor Socket ONLY
	122800	1	Microprocessor (female) Pin Extraction Tool
2	137020	1	15-Pin Microprocessor Connector ONLY
3	150315	1	#6 x 3/8" Phillips Pan Head Screw
4	137022	1	15-Pin Strain Relief ONLY
5	137013	4	Nylon Standoff
6	-----	1	Arc Suppressor (A.S.) Relay Board (refer to <b>Relay Board Listing</b> on <b>page 97</b> )
	137061	1	Arc Suppressor (A.S.) Board ONLY without Relays
	131916	1	P.C.B. (electromechanical) Relay ONLY (for 120 volt models Only)
	131930	1	P.C.B. (electromechanical) Relay ONLY (for 208/230 volt models Only)
7	136057	*	1/2-Amp (slo blo) Fuse ONLY
	136052	*	4-Amp Fuse ONLY
8	150300	2	#10-16 x 1/2" Hex Washer TEK Screw
9	141403	1	Direct Spark Ignition (DSI) 24 VAC Transformer (for gas models with Direct Spark Ignition [DSI] Only)
10	150309	2	#10-16 x 1/2" Hex Head TEK Crimptite Screw
11	131030	1	Steam Valve Relay (for high pressure steam models Only) For 120 Volt Models ONLY
	131031	1	Steam Valve Relay (for high pressure steam models Only) For 208/230 Volt Models ONLY
12	150002	2	#6-32 x 1" Phillips Round Head Machine Screw
13	120715	1	30-Position Terminal Block
14	151000	2	#6-32 Pal Nut
15	136057	*	1/2-Amp (slo blo) Fuse ONLY
16	150301	*	#8-18 x 7/16" Phillips Pan Head TEK Screw
17	136008	*	Fuse Block/Strip ONLY

\* As required.



<u>Illus. No.</u>	<u>Part No.</u>	<u>Qty.</u>	<u>Description</u>
1	112526	1	Coin Keyboard Label Assembly
2	865098	1	Phase 4.1 Coin Control Panel Assembly (includes illus. nos. 1, 2, 4, 5, and 6)
	865099	1	Phase 4.1 Coin Control Panel Assembly with Battery Option (includes illus. nos. 1, 2, 4, 5, and 6)
	800040	1	Coin Control Panel ONLY
	800039	1	Coin Control Panel ONLY with Battery Bracket
3	150309	1	#10-16 x 1/2" Hex Head TEK Crimptite Screw
4	137130	1	Phase 4.1 Coin Microprocessor Controller (computer) ONLY
	137131	1	Phase 4.1 Coin Microprocessor Controller (computer) ONLY with Battery Clip
5	152001	2	#8-32 Hex Nut
6	153012	2	#8 Star Washer
7	-----	1	Microprocessor Dual Coin Acceptor with Optical Switch (refer to <b>Microprocessor Coin Acceptors Listing</b> on <b>page 98</b> )
8	137056	1	Optic Switch ONLY
9	137023	1	Optic Switch Connector ONLY
10	137021	3	Microprocessor Socket ONLY
	865051	1	Dual Coin Optical Switch Harness
	122800	1	Microprocessor (female) Pin Extraction Tool

**IMPORTANT:** Check label on computer chip to verify correct part number for microprocessor controller (computer).



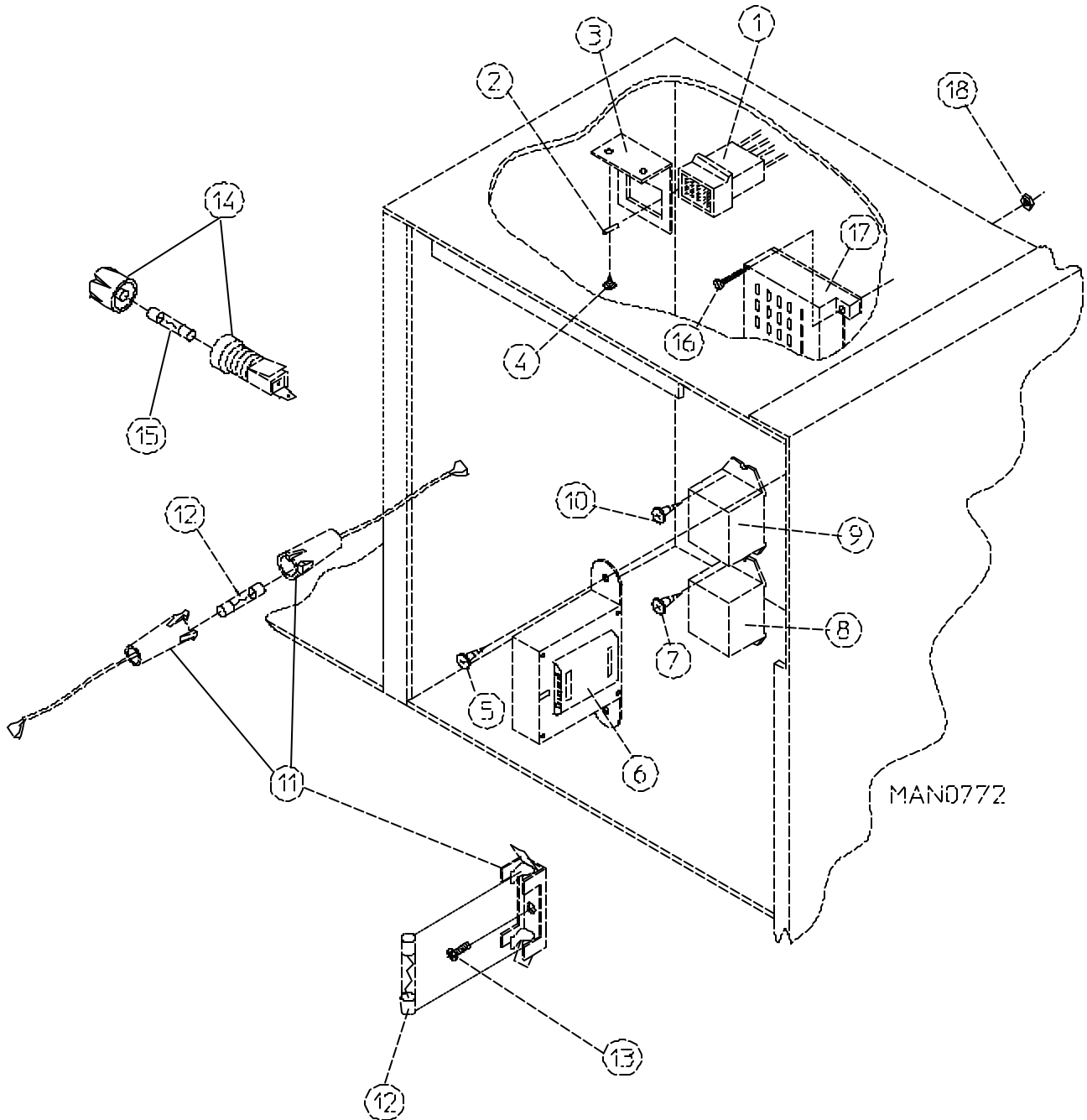
<u>Illus. No.</u>	<u>Part No.</u>	<u>Qty.</u>	<u>Description</u>
1	137021	12	Microprocessor Socket ONLY
	122800	1	Microprocessor (female) Pin Extraction Tool
2	137020	1	15-Pin Microprocessor Connector ONLY
3	150315	1	#6 x 3/8" Phillips Pan Head Screw
4	137022	1	15-Pin Strain Relief ONLY
5	137013	4	Nylon Standoff
6	-----	1	Arc Suppressor (A.S.) Relay Board (refer to <b>Relay Board Listing</b> on <b>page 97</b> )
	137061	1	Arc Suppressor (A.S.) Board ONLY without Relays
	131916	1	P.C.B. (electromechanical) Relay ONLY (for 120 volt models Only)
	131930	1	P.C.B. (electromechanical) Relay ONLY (for 208/230 volt models Only)
7	136057	*	1/2-Amp (slo blo) Fuse ONLY
	136052	*	4-Amp Fuse ONLY
8	150300	2	#10-16 x 1/2" Hex Washer TEK Screw
9	141403	1	Direct Spark Ignition (DSI) 24 VAC Transformer (for gas models with Direct Spark Ignition [DSI] Only)
10	150309	2	#10-16 x 1/2" Hex Head TEK Crimptite Screw
11	131030	1	Steam Valve Relay (for high pressure steam models Only) For 120 Volt Models ONLY
	131031	1	Steam Valve Relay (for high pressure steam models Only) For 208/230 Volt Models ONLY
12	150002	2	#6-32 x 1" Phillips Round Head Machine Screw
13	120715	1	30-Position Terminal Block
14	151000	2	#6-32 Pal Nut
15	136057	*	1/2-Amp (slo blo) Fuse ONLY
16	150301	*	#8-18 x 7/16" Phillips Pan Head TEK Screw
17	136008	*	Fuse Block/Strip ONLY

\* As required.





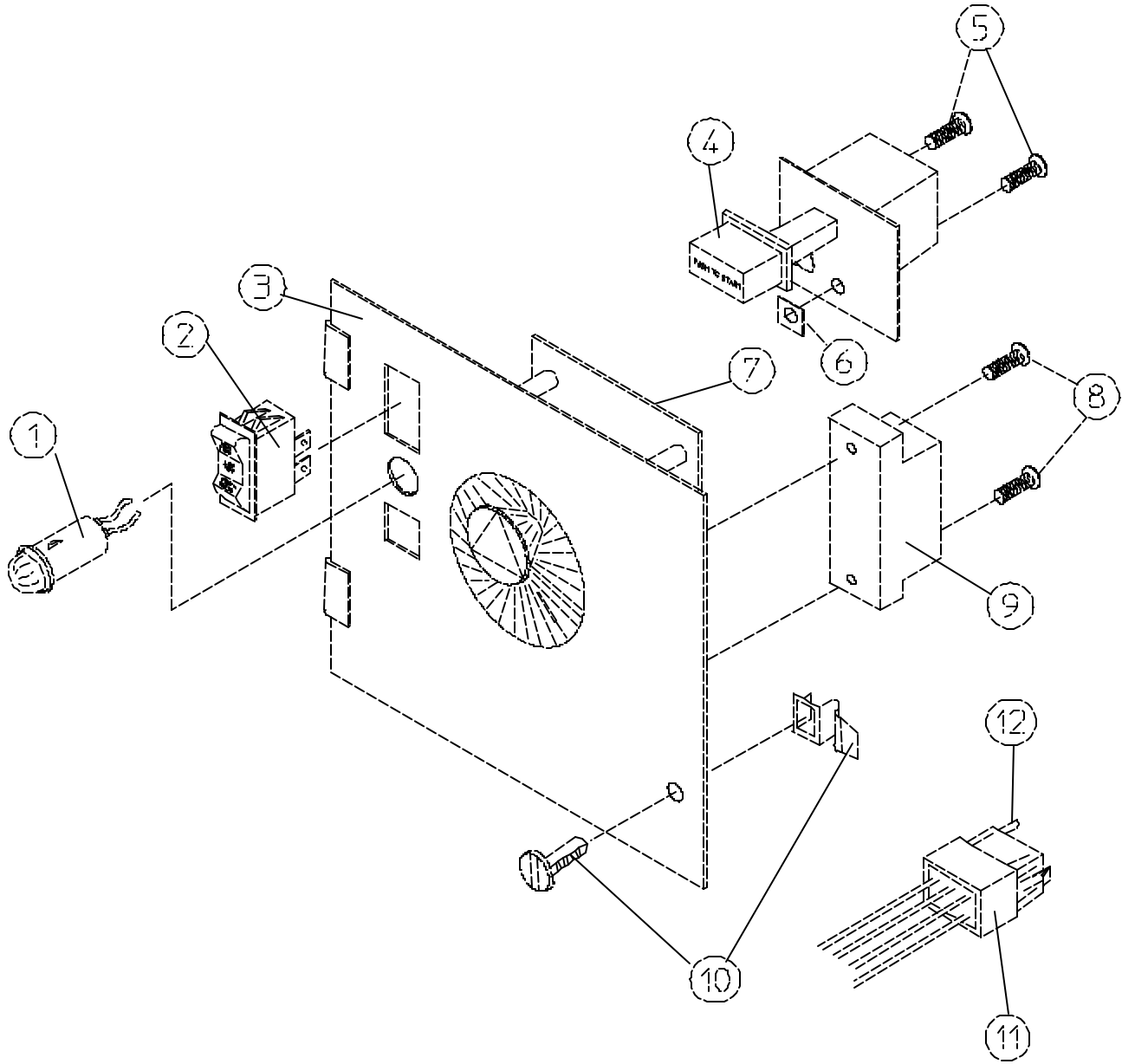
<u>Illus. No.</u>	<u>Part No.</u>	<u>Qty.</u>	<u>Description</u>
1	123000	1	Red Indicator Light (for 120 volt models Only)
	123001	1	Red Indicator Light (for 230 volt models Only)
2	122400	1	Rocker Heat Selector Switch
3	865550	1	Dual Timer Control Panel Assembly Complete (includes illus. nos. 1 through 21) For 120 Volt Models ONLY
	865551	1	Dual Timer Control Panel Assembly Complete (includes illus. nos. 1 through 21) For 230 Volt Models ONLY
	800051	1	Dual Timer Control Panel ONLY
4	131812	1	Push To Start Relay (for 120 volt models Only)
	131813	1	Push To Start Relay (for 230 volt models Only)
5	150207	2	#10-24 x 1/2" Phillips Pan Head Machine Screw
6	154001	2	#10-24 Speed Nut
7	152013	2	#6-32 Hex Nut
8	153010	2	#6 Star Washer
9	120713	1	18-Position Terminal Block (for models mfd. as of May 3, 1989)
	120708	1	3-Position Terminal Strip (for models mfd. prior to May 3, 1989)
10	150002	2	#6-32 x 1" Phillips Round Head Machine Screw
11	150110	4	#8-32 x 1/4" Phillips Round Head Machine Screw
12	150001	2	#6-32 x 1/2" Phillips Round Head Machine Screw
13	131030	1	Dual Timer Relay (for 120 volt models Only)
	131031	1	Dual Timer Relay (for 230 volt models Only)
14	151000	2	#6-32 Pal Nut
15	112050	1	Dual Timer Label ONLY
16	882541	1	Spring Turn Latch Assembly
17	124103	2	Arrow Timer Knob
18	124020	1	60 Minute Timer (for 120 volt models Only)
	124021	1	60 Minute Timer (for 230 volt models Only)
19	124022	1	15 Minute Timer (for 120 volt models Only)
	124023	1	15 Minute Timer (for 230 volt models Only)
20	122602	1	9-Pin Connector ONLY
21	122700	8	Pin Terminal ONLY
---	122801	1	Pin/Socket Extraction Tool



<u>Illus. No.</u>	<u>Part No.</u>	<u>Qty.</u>	<u>Description</u>
1	122603	1	9-Pin Socket Connector ONLY
2	122701	9	Socket Terminal ONLY
	122801	1	Pin/Socket Extraction Tool
3	315010	1	9-Pin Connector Bracket
4	150300	2	#10-16 x 1/2" Hex Washer TEK Screw
5	150300	2	#10-16 x 1/2" Hex Washer TEK Screw
6	141403	1	Direct Spark Ignition (DSI) 24 VAC Transformer (for gas models with Direct Spark Ignition [DSI] Only)
7	150309	2	#10-16 x 1/2" Hex Head TEK Crimptite Screw
8	131030	1	Steam Valve Relay (for high pressure steam models Only) For 120 Volt Models ONLY
	131031	1	Steam Valve Relay (for high pressure steam models Only) For 230 Volt Models ONLY
9	131814	1	Motor Control Relay (for 120 volt controls Only)
10	150309	2	#10-16 x 1/2" Hex Head TEK Crimptite Screw
11	136008	*	Fuse Block/Strip ONLY
	875250	*	In-Line Fuse Holder Assembly ONLY
12*	136057	**	1/2-Amp (slo blo) Fuse ONLY
	136052	**	4-Amp Fuse ONLY
	136054	**	15-Amp (slo blo) Fuse
	136056	**	20-Amp (slo blo) Fuse
13	150301	*	#8-18 x 7/16" Phillips Pan Head TEK Screw
14	136002	2	Panel Mount Fuse Holder Assembly
15*	136052	**	4-Amp Fuse ONLY
	136054	**	15-Amp (slo blo) Fuse
	136056	**	20-Amp (slo blo) Fuse
16	150002	2	#6-32 x 1" Phillips Round Head Machine Screw
17	120715	1	30-Position Terminal Block
	120709	1	8-Position Terminal Strip
18	151000	2	#6-32 Pal Nut

\* As required.

\*\* Check fuse rating for verification.

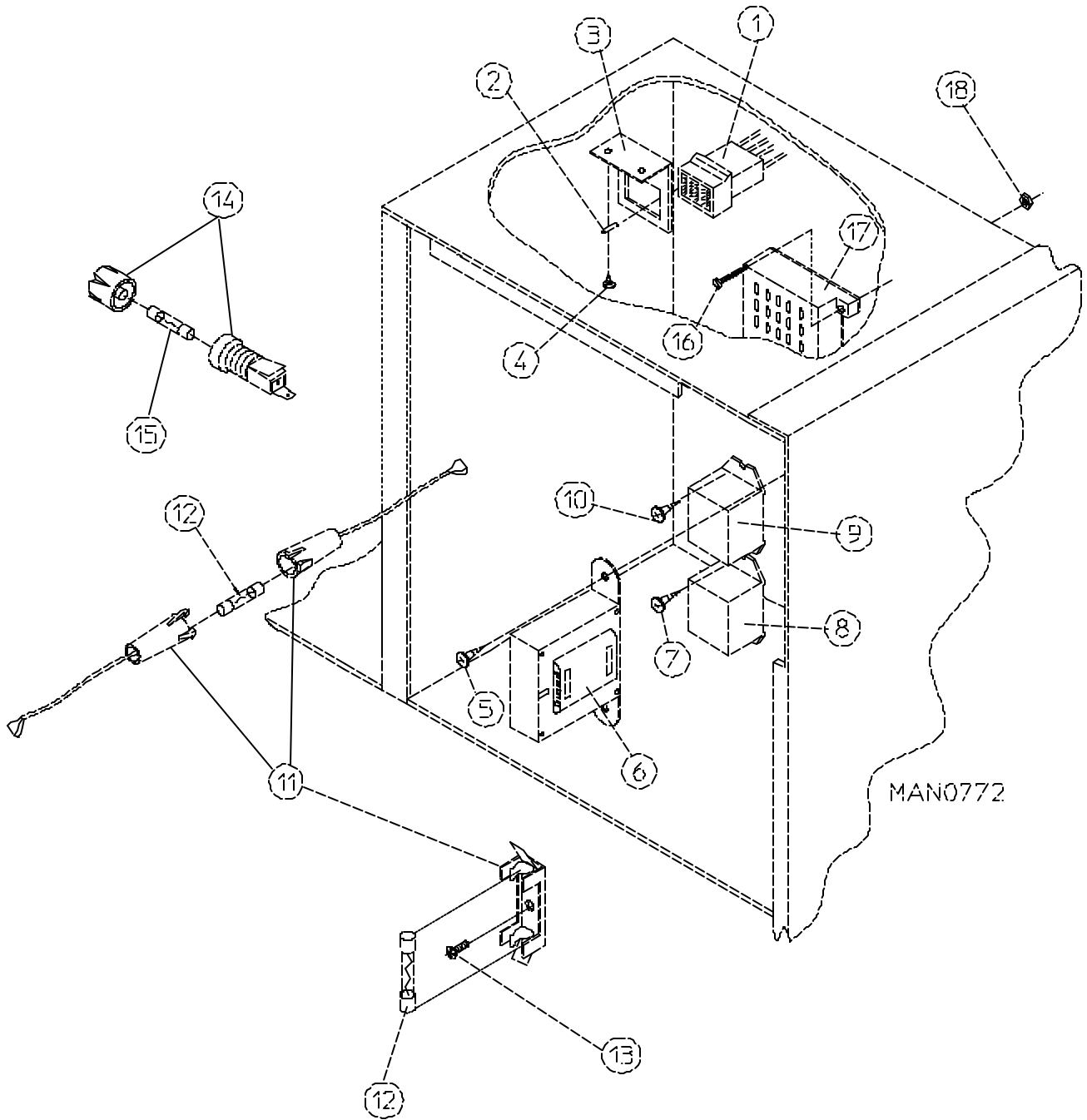


MAN0274

<u>Illus. No.</u>	<u>Part No.</u>	<u>Qty.</u>	<u>Description</u>
1	123000	1	Red Indicator Light (for 120 volt models Only)
	123001	1	Red Indicator Light (for 230 volt models Only)
2	122400	1	Rocker Heat Selector Switch
3	800070	1	Coin Meter Control Panel Assembly Complete (includes illus. nos. 1 through 6 and 8 through 12) For 120 Volt Models ONLY
	800071	1	Coin Meter Control Panel Assembly Complete (includes illus. nos. 1 through 6 and 8 through 12) For 230 Volt Models ONLY
	800054	1	Coin Meter Control Panel (for 12-position terminal block Only)
	800052	1	Coin Meter Control Panel (for 2-position terminal strip Only)
4	131812	1	Push To Start Relay (for 120 volt models Only)
	131813	1	Push To Start Relay (for 230 volt models Only)
5	150207	2	#10-24 x 1/2" Phillips Pan Head Machine Screw
6	154001	2	#10-24 Speed Nut
7*	125000	1	25¢ Coin Meter (specify timing) For 120 Volt Models ONLY
	125003	1	25¢ Coin Meter (specify timing) For 230 Volt Models ONLY
8	150303	2	#4 x 3/4" Phillips Pan Head "A" Machine Screw
9	120712	1	12-Position Terminal Block (for models mfd. as of May 15, 1989)
	120707	1	2-Position Terminal Strip (for models mfd. prior to May 15, 1989)
10	882541	1	Spring Turn Latch Assembly
11	122602	1	9-Pin Connector ONLY
12	122700	9	Pin Terminal ONLY
---	122801	1	Pin/Socket Extraction Tool

\* Consult factory for coin meters not listed.

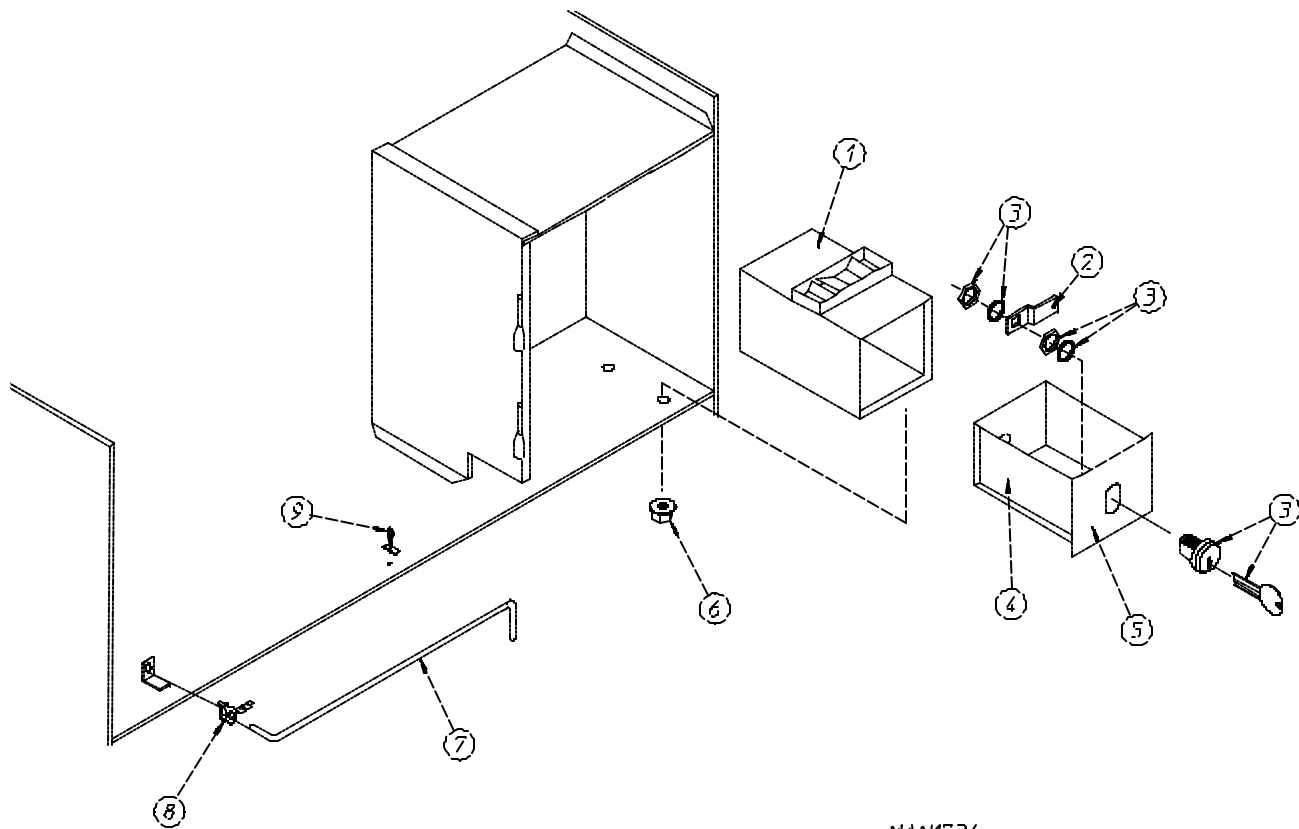
**NOTE:** For **Coin Meter Replacement Parts** refer to **page 99**.



<u>Illus. No.</u>	<u>Part No.</u>	<u>Qty.</u>	<u>Description</u>
1	122603	1	9-Pin Socket Connector ONLY
2	122701	9	Socket Terminal ONLY
	122801	1	Pin/Socket Extraction Tool
3	315010	1	9-Pin Connector Bracket
4	150300	2	#10-16 x 1/2" Hex Washer TEK Screw
5	150300	2	#10-16 x 1/2" Hex Washer TEK Screw
6	141403	1	Direct Spark Ignition (DSI) 24 VAC Transformer (for gas models with Direct Spark Ignition [DSI] Only)
7	150309	2	#10-16 x 1/2" Hex Head TEK Crimptite Screw
8	131030	1	Steam Valve Relay (for high pressure steam models Only) For 120 Volt Models ONLY
	131031	1	Steam Valve Relay (for high pressure steam models Only) For 208/230 Volt Models ONLY
9	131814	1	Motor Control Relay (for 120 volt controls Only)
10	150309	2	#10-16 x 1/2" Hex Head TEK Crimptite Screw
11	136008	*	Fuse Block/Strip ONLY
	875250	*	In-Line Fuse Holder Assembly ONLY
12*	136057	**	1/2-Amp (slo blo) Fuse ONLY
	136052	**	4-Amp Fuse ONLY
	136054	**	15-Amp (slo blo) Fuse
	136056	**	20-Amp (slo blo) Fuse
13	150301	*	#8-18 x 7/16" Phillips Pan Head TEK Screw
14	136002	2	Panel Mount Fuse Holder Assembly
15*	136052	**	4-Amp Fuse ONLY
	136054	**	15-Amp (slo blo) Fuse
	136056	**	20-Amp (slo blo) Fuse
16	150002	2	#6-32 x 1" Phillips Round Head Machine Screw
17	120715	1	30-Position Terminal Block
	120709	1	8-Position Terminal Strip
18	151000	2	#6-32 Pal Nut

\* As required.

\*\* Check fuse rating for verification.

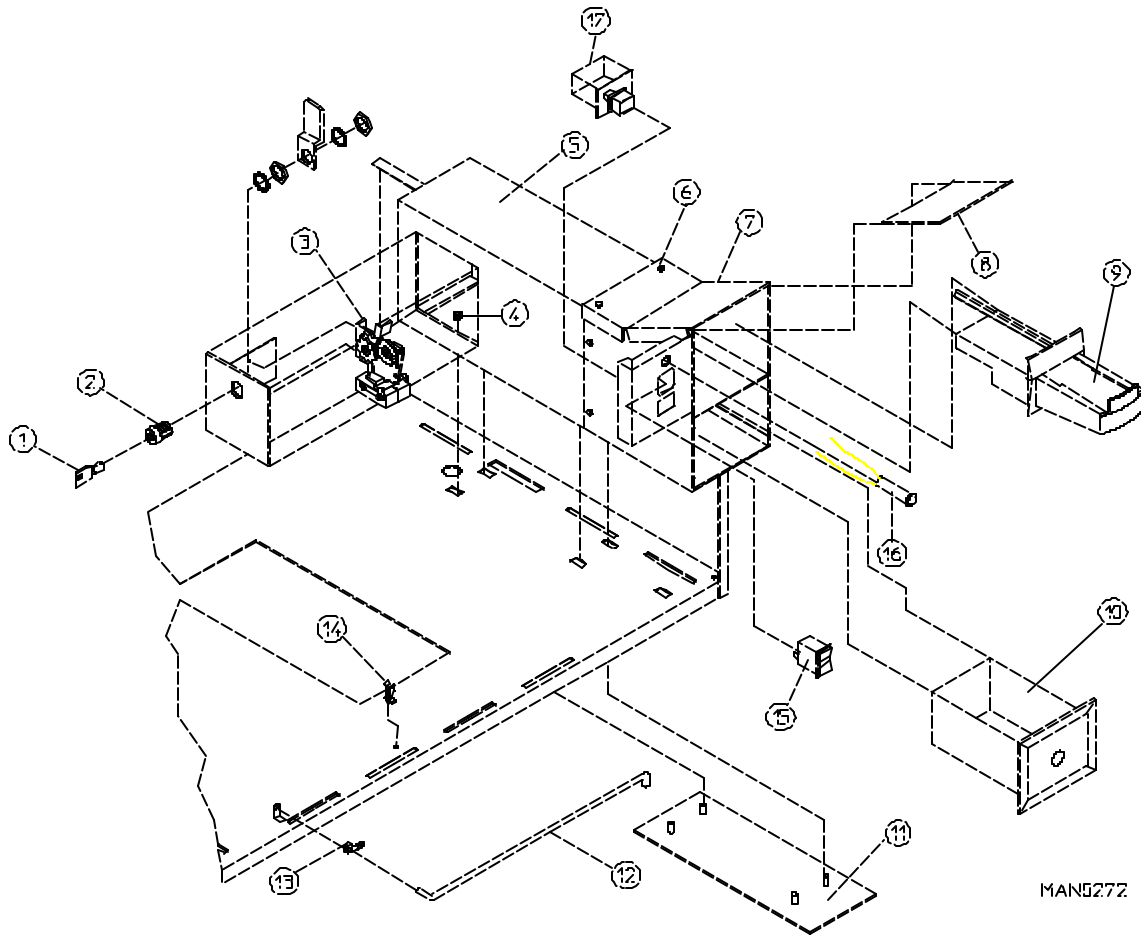


MAN1734

<u>Illus. No.</u>	<u>Part No.</u>	<u>Qty.</u>	<u>Description</u>
1	802112	1	Microprocessor Coin Vault Assembly Complete (includes illus. nos. 1 through 6)
	802117	1	Microprocessor Coin Vault ONLY
	802110	1	Non-Microprocessor Coin Vault Assembly Complete (includes illus. nos. 1 through 6)
	802115	1	Non-Microprocessor Coin Vault ONLY
2	160028	1	Cam for 1/4 Turn Lock ONLY
3	875061	1	1/4 Turn Lock with Key and Cam
	160105*	1	1/4 Turn Mer-Pel Key ONLY
4	802020	1	1/4 Turn Coin Box Assembly (includes illus. nos. 2 through 5)
	802019	1	1/4 Turn Coin Box ONLY without Face Plate
	125915	1	High Security (Greenwald) Coin Box ONLY with Key
5	802018	1	1/4 Turn Coin Box Face Plate ONLY
6	152014	4	1/4-20 Free Spin Wash Nut
7	102502	1	Control Door Support Rod
8	102601	1	Control Door Rod Retainer Clip
9	102600	1	Control Door Rod Support Catch

\* Specify key number when ordering.





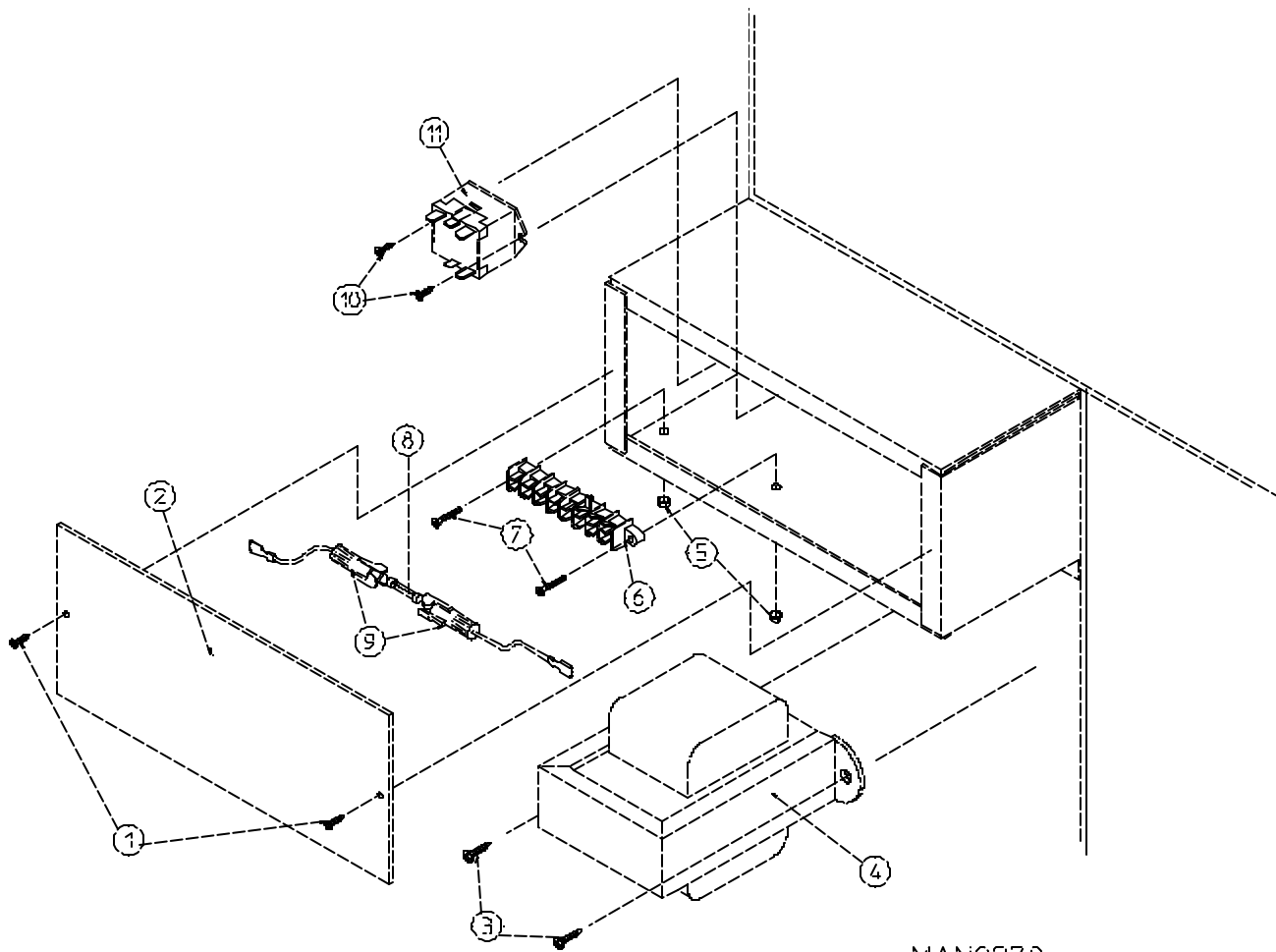
MAN5272

<u>Illus. No.</u>	<u>Part No.</u>	<u>Qty.</u>	<u>Description</u>
1*	160199	1	Key ONLY for Slide Meter Lock
2	160099	1	Lock, Key, Cam, and Hardware
3	125908	1	Slide Meter Accumulator - 120 Volt
4	152014	4	1/4-20 Free Spin Wash Nut
5	125900	1	Slide Meter Case ONLY with Door Less Lock
6	154203	6	1/4" Drive Rivet
7	801700	1	Slide Meter Extension ONLY with Mirror (includes illus. nos. 7 and 8)
8	315404	1	Stainless Steel Mirror ONLY
9	-----	1	Typical Slide Meter Coin Chute (not available from ADC)
10	-----	1	Typical Slide Meter Coin Box (not available from ADC)
11	801701	1	Slide Meter Case Mounting Plate
12	102502	1	Control Door Support Rod
13	102601	1	Control Door Rod Retainer Clip
14	102600	1	Control Door Rod Support Catch
15	122400	1	Rocker Heat Selector Switch
16	123005	1	Red Indicator Light (for 120 volt models Only)
17	131812	1	Push To Start Relay (for 120 volt models Only)

\* Specify key number when ordering.

**IMPORTANT:** Parts listed are for 120 volt controls ONLY...for other voltages contact factory.

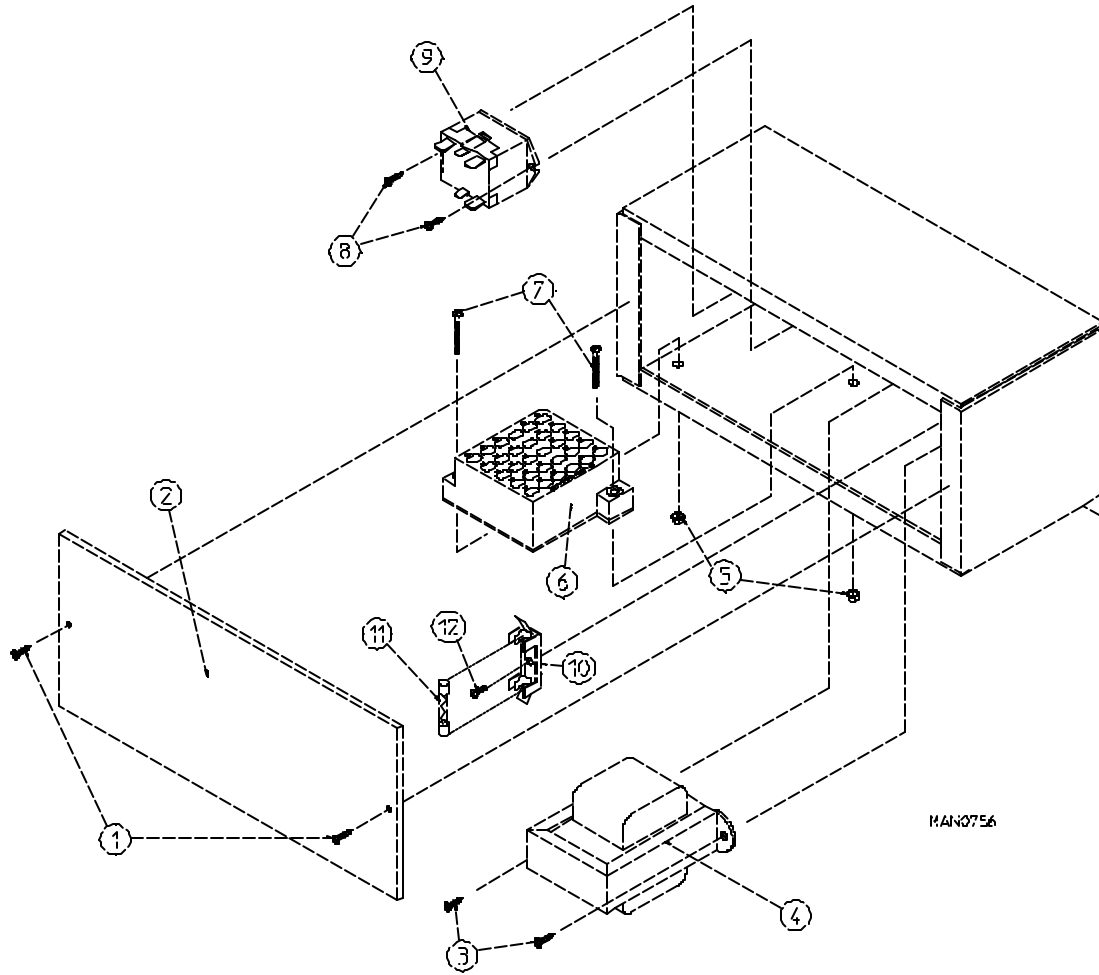
For Models Mfd. with Globar® Ignition ONLY



MAN0278

<u>Illus. No.</u>	<u>Part No.</u>	<u>Qty.</u>	<u>Description</u>
1	150300	2	#10-16 x 1/2" Hex Washer TEK Screw
2	311913	1	Service Box Cover Plate ONLY (9-7/8" x 4-3/8")
	311921	1	Service Box Cover Plate ONLY (9-7/8" x 5-3/4")
3	150309	2	#10-16 x 1/2" Hex Head TEK Crimpite Screw
4	132002	1	200 Watt Transformer (terminals are not included)
5	151000	2	#6-32 Pal Nut
6	120709	1	8-Position Terminal Strip
7	150002	2	#6-32 x 1" Phillips Round Head Machine Screw
8	136052	1	4-Amp Fuse ONLY
9	875250	1	In-Line Fuse Holder Assembly ONLY
10	150309	2	#10-16 x 1/2" Hex Head TEK Crimpite Screw
11	131814	1	Motor Control Relay (for 120 volt controls Only)

**For Models Mfd. with Direct Spark Ignition (DSI) ONLY**

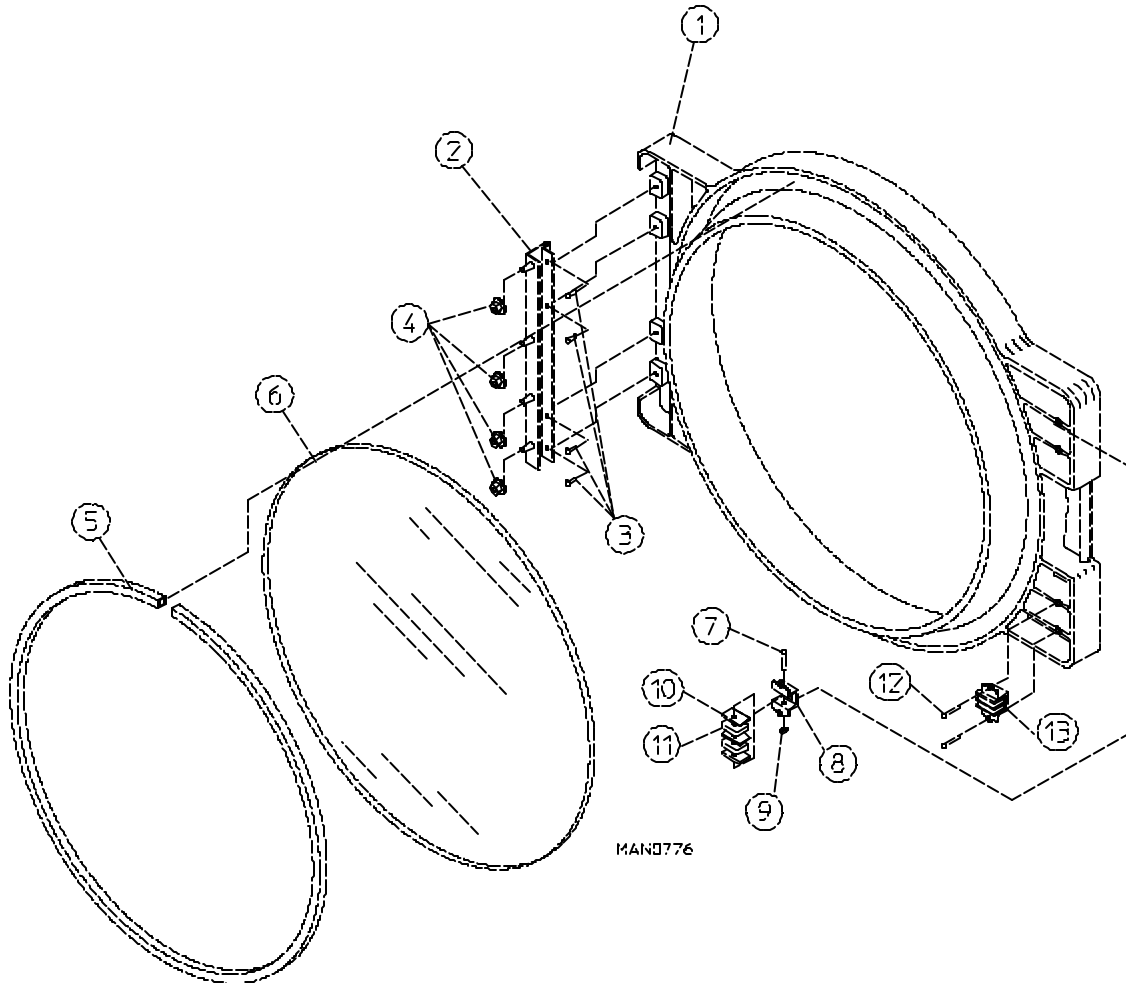


<u>Illus. No.</u>	<u>Part No.</u>	<u>Qty.</u>	<u>Description</u>
1	150300	2	#10-16 x 1/2" Hex Washer TEK Screw
2	311913	1	Service Box Cover Plate ONLY (9-7/8" x 4-3/8")
	311921	1	Service Box Cover Plate ONLY (9-7/8" x 5-3/4")
3	150300	2	#10-16 x 1/2" Hex Washer TEK Screw
4	141403	1	Direct Spark Ignition (DSI) 24 VAC Transformer (for gas models with Direct Spark Ignition [DSI] Only)
5	151000	2	#6-32 Pal Nut
6	120715	1	30-Position Terminal Block
7	150002	2	#6-32 x 1" Phillips Round Head Machine Screw
8	150309	2	#10-16 x 1/2" Hex Head TEK Crimptite Screw
9	131814	1	Motor Control Relay (for 120 volt controls Only)
10	136008	*	Fuse Block/Strip ONLY
	875250	*	In-Line Fuse Holder Assembly ONLY
11*	136057	**	1/2-Amp (slo blo) Fuse ONLY
	136054	**	15-Amp Fuse (for 120 volt models Only)
	136056	**	20-Amp (slo blo) Fuse (for 208/230 volt models Only)
12*	150301	*	#8-18 x 7/16" Phillips Pan Head TEK Screw

\* As required.

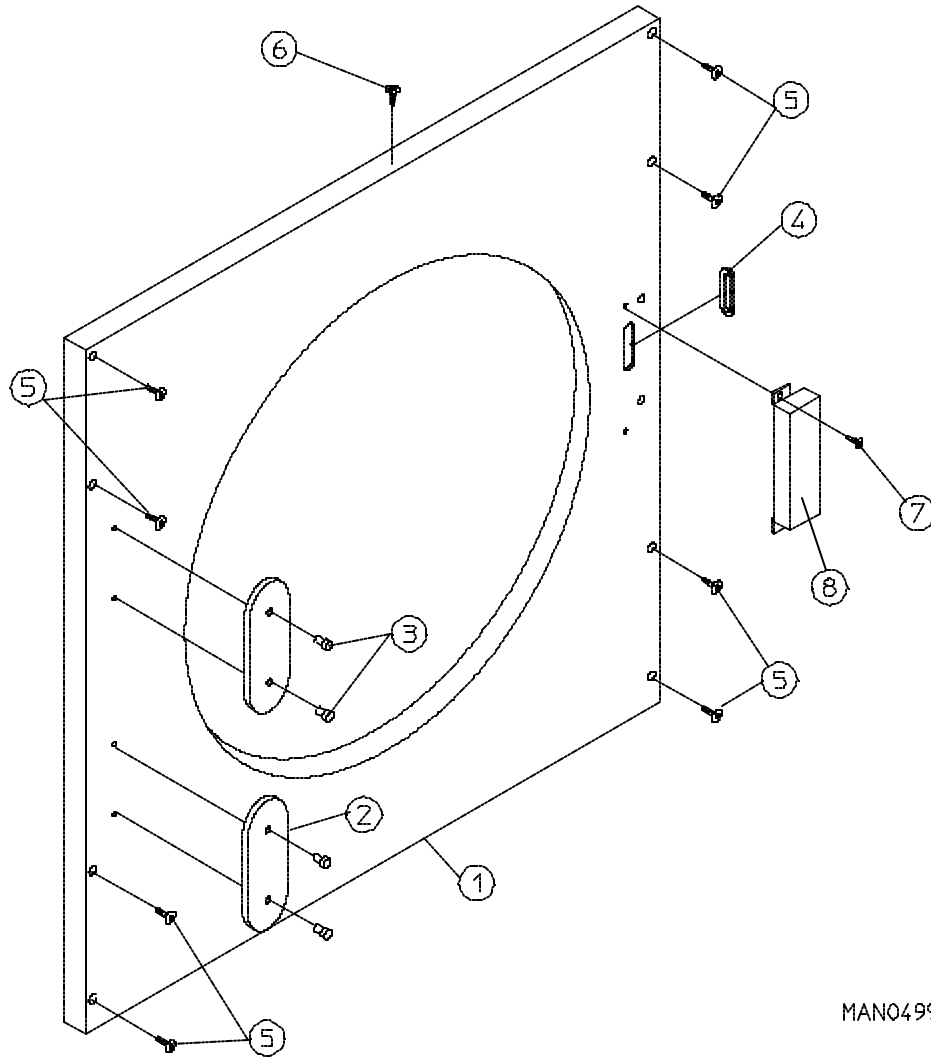
\*\* Check fuse rating for verification.

For Door Magnet Type Models ONLY



<u>Illus. No.</u>	<u>Part No.</u>	<u>Qty.</u>	<u>Description</u>
1	800136	1	AD-30/AD-50 Main Door Assembly Complete (includes illus. nos. 1 through 12)
	800133	1	AD-30/AD-50 Main Door Assembly Less Accessories (includes illus. nos. 1 through 3)
	800134	1	AD-30/AD-50 Main Door with Glass and Gasket ONLY (includes illus. nos. 1, 2, 3, 5, and 6)
2	103050	1	12-1/2" Stainless Steel Main Door Hinge
3	150410	4	#10-24 x 3/8" Phillips Pan Head Taptite Screw
4	152014	4	1/4-20 Free Spin Wash Nut
5	102350	1	Main Door Gasket
6	102210	1	20-7/16" Door Glass
7	150002	2	#6-32 x 1" Phillips Round Head Machine Screw
8	102105	2	Magnet Holder ONLY
9	152013	2	#6-32 Hex Nut
10	306802	6	Magnet Keeper
11	102102	4	0.215 Door Magnet
12	150410	4	#10-24 x 3/8" Phillips Pan Head Taptite Screw
13	800131	2	Cast Aluminum Magnet Holder Assembly Complete (includes illus. nos. 7 through 11)
---	170730	1	Main Door Glass Adhesive (10.3 oz. cartridge)

**For Door Magnet Type Models ONLY**

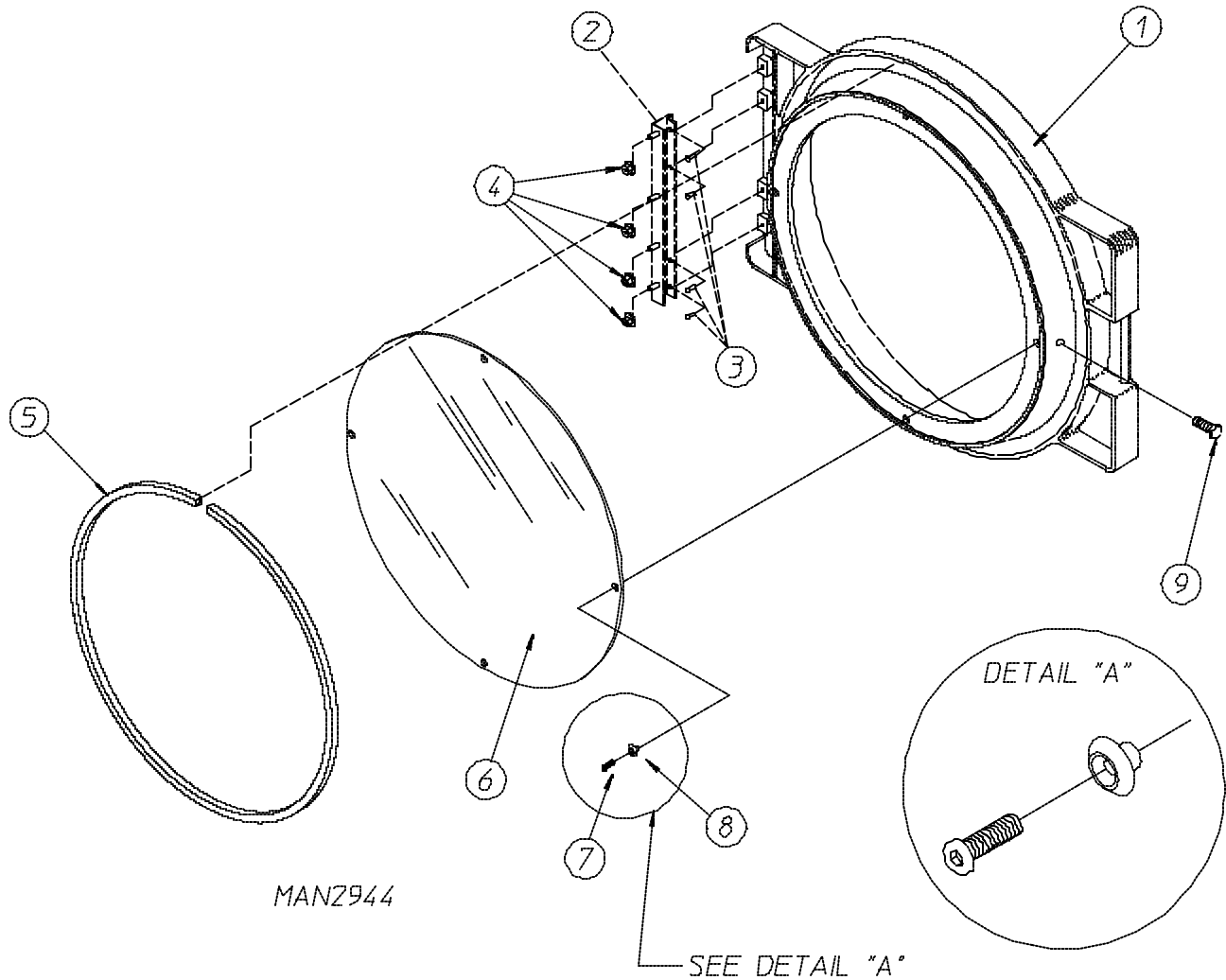


MAN0499

<u>Illus. No.</u>	<u>Part No.</u>	<u>Qty.</u>	<u>Description</u>
1	800369*	1	AD-30 Right Hand Front Panel (magnet type) Assembly Complete (includes illus. nos. 1 through 4)
	800366*	1	AD-30 Right Hand Insulated Front Panel (magnet type) Assembly Complete (includes illus. nos. 1 through 4)
	800383	1	AD-30 Stainless Steel Right Hand Front Panel (magnet type) Assembly Complete (includes illus. nos. 1 through 4)
2	170340	2	3-1/2" Stainless Steel Striker Pad
3	154200	4	5/32" Pop Rivet
4	121405	1	Rubber Grommet
5	150309	8	#10-16 x 1/2" Hex Head TEK Crimptite Screw
6	150300	1	#10-16 x 1/2" Hex Washer TEK Screw
7	150201	2	#10-32 x 1/4" Phillips Pan Head TEK Screw
8	-----	1	Main Door Switch (refer to <b>Plunger Type Main Door Switch Assembly</b> on <b>page 40</b> )

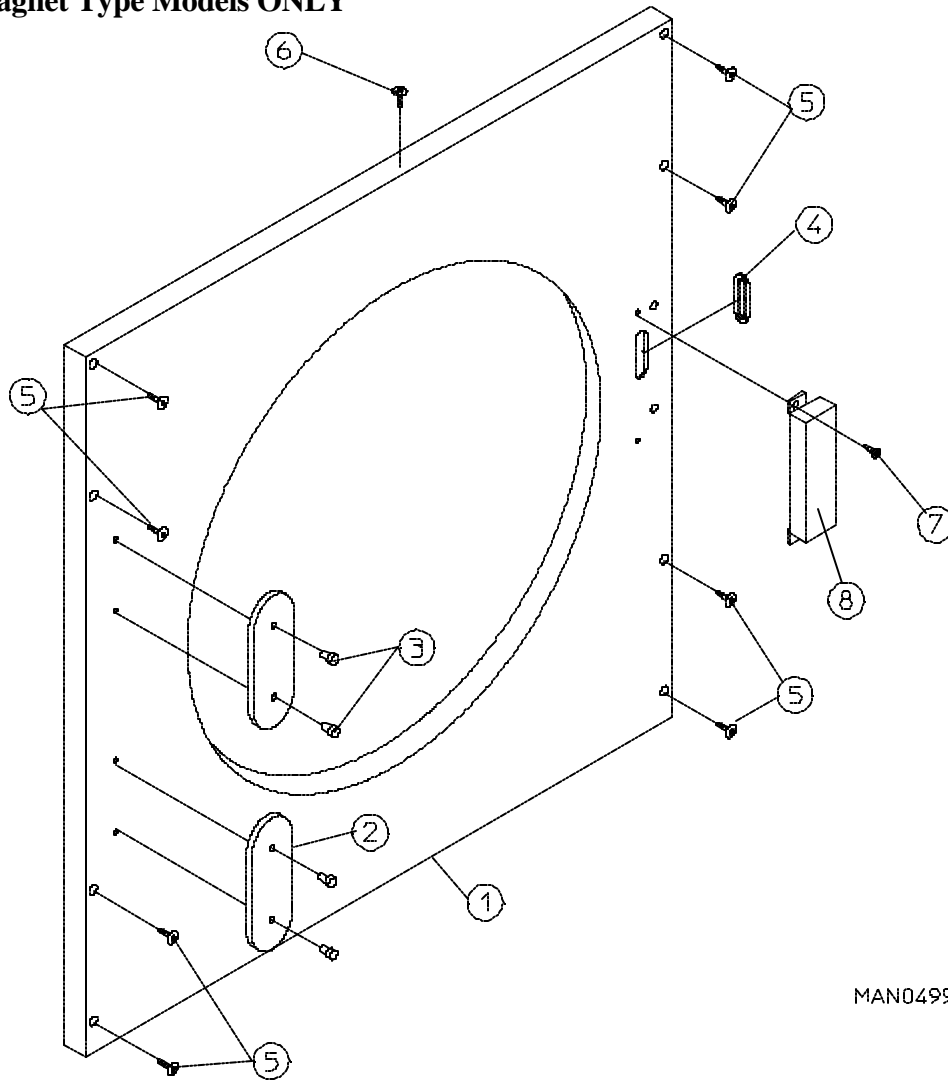
\* Specify color when ordering.

For Door Latch Type Models ONLY



<u>Illus. No.</u>	<u>Part No.</u>	<u>Qty.</u>	<u>Description</u>
1	881421	1	Gray Plastic Main Door Assembly Complete with Mechanical Fasteners (includes illus. nos. 1 and 5 through 9)
2	800448	1	12-1/2" Stainless Steel Main Door Hinge Assembly
3	150410	4	#10-24 x 3/8" Phillips Pan Head Taptite Screw
4	152014	4	1/4-20 Free Spin Wash Nut
5	102349	1	Main Door Gasket
6	102212	1	20-7/16" Door Glass with Four (4) Holes
	170730	1	Main Door Glass Adhesive (10.3 oz. cartridge)
7	150448	4	Door Glass (nylon) Spacer
8	170319	4	1/2" Stainless Steel Flat Head Allen Screw
9	150431	1	Main Door Latch Screw (#10 x 7/16" dome hex head screw)

**For Door Magnet Type Models ONLY**

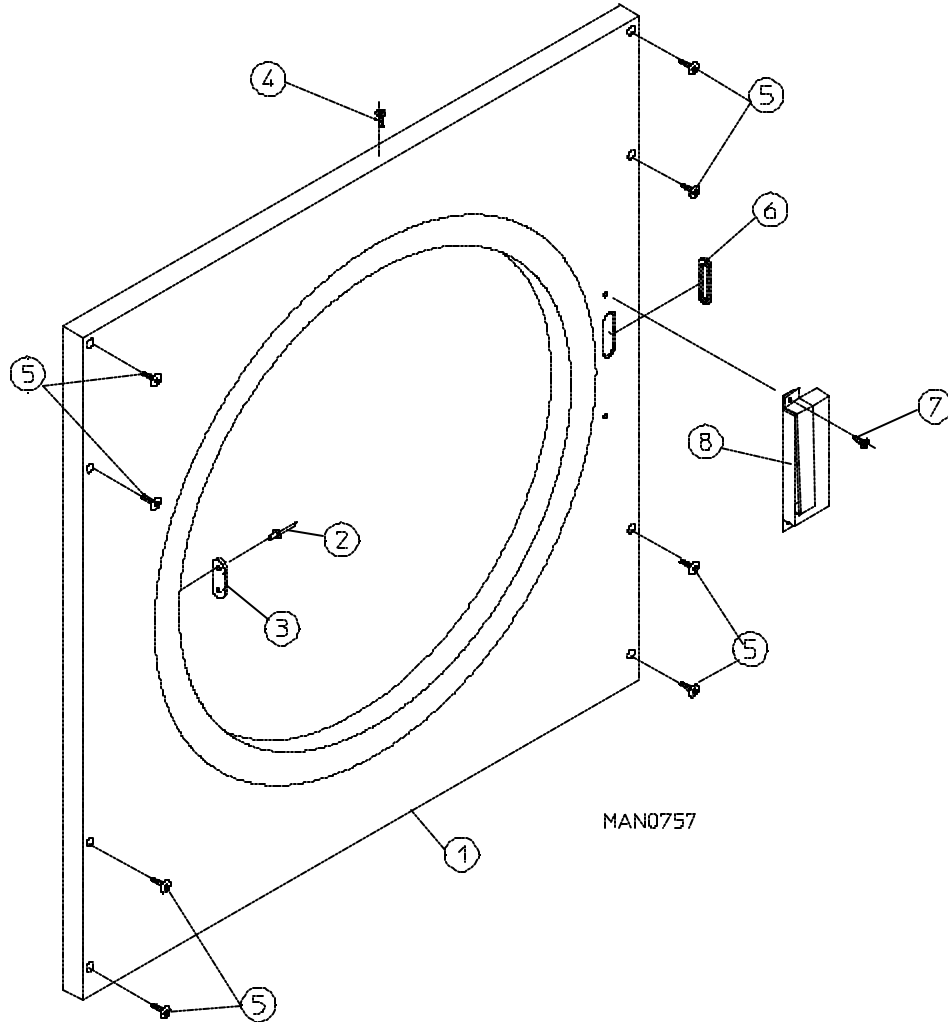


MAN0499

<u>Illus. No.</u>	<u>Part No.</u>	<u>Qty.</u>	<u>Description</u>
1	800368*	1	AD-50 Right Hand Front Panel (magnet type) Assembly Complete (includes illus. nos. 1 through 4)
	800371*	1	AD-50 Right Hand Insulated Front Panel (magnet type) Assembly Complete (includes illus. nos. 1 through 4)
	800388	1	AD-50 Stainless Steel Right Hand Front Panel (magnet type) Assembly Complete (includes illus. nos. 1 through 4)
2	170340	2	3-1/2" Stainless Steel Striker Pad
3	154200	4	5/32" Pop Rivet
4	121405	1	Rubber Grommet
5	150309	8	#10-16 x 1/2" Hex Head TEK Crimptite Screw
6	150300	1	#10-16 x 1/2" Hex Washer TEK Screw
7	150201	2	#10-32 x 1/4" Phillips Pan Head TEK Screw
8	-----	1	Main Door Switch (refer to <b>Plunger Type Main Door Switch Assembly</b> on <b>page 40</b> )

\* Specify color when ordering.

For Door Latch Type Models ONLY

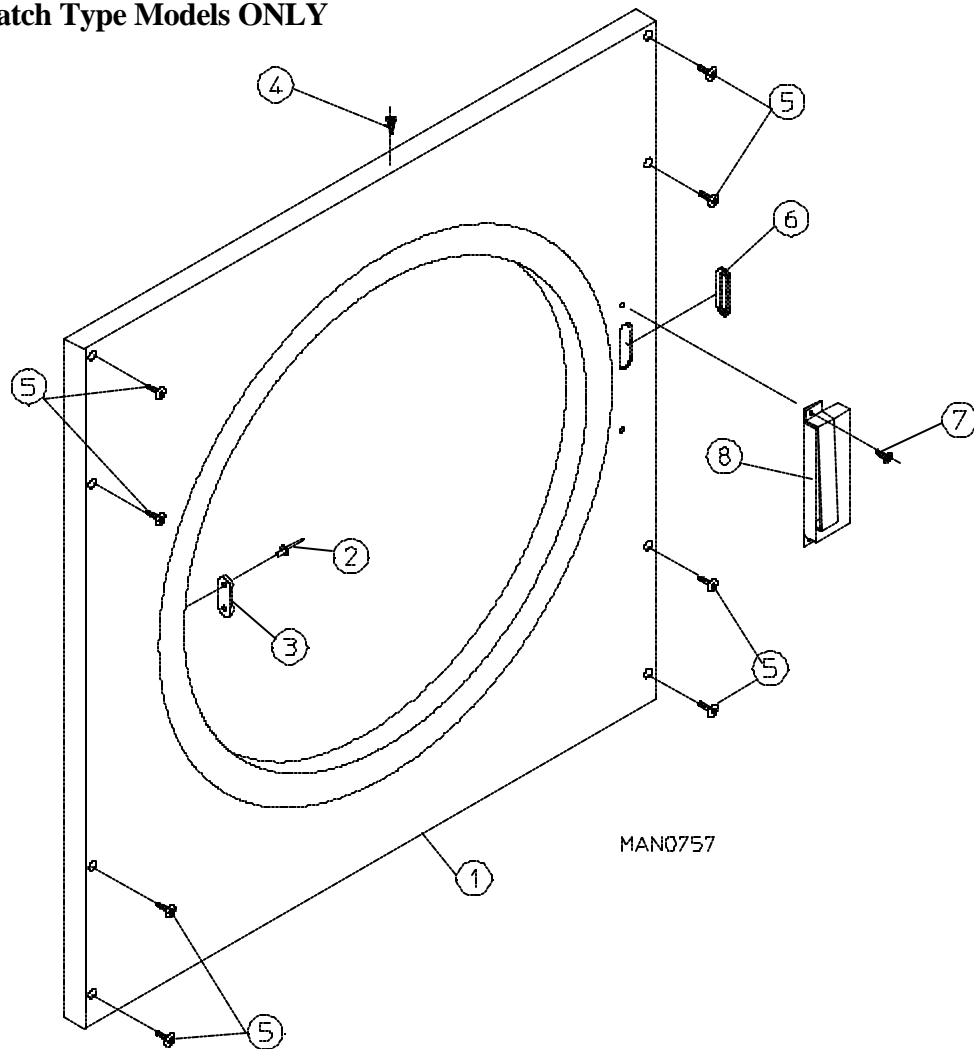


<u>Illus. No.</u>	<u>Part No.</u>	<u>Qty.</u>	<u>Description</u>
1	875300*	1	AD-30 Right Hand Insulated Front Panel (latch type) Assembly Complete (includes illus. nos. 1, 2, 3, and 6)
	875311	1	AD-30 Stainless Steel Right Hand Insulated Front Panel (latch type) Assembly Complete (includes illus. nos. 1, 2, 3, and 6)
2	154215	2	5/32" Pop Rivet
3	170330	1	Friction Door Catch
4	150300	1	#10-16 x 1/2" Hex Washer TEK Screw
5	150309	8	#10-16 x 1/2" Hex Head TEK Crimplite Screw
6	121405	1	Rubber Grommet
7	150201	2	#10-32 x 1/4" Phillips Pan Head TEK Screw
8	-----	1	New Style (N.S.) Series Main Door Switch (for microprocessor models mfd. as of November 21, 1990 and non-microprocessor models mfd. as of November 15, 1990) Refer to <b>New Style (N.S.) Series Main Door Switch Assembly</b> on <b>page 41</b>

\* Specify color when ordering.

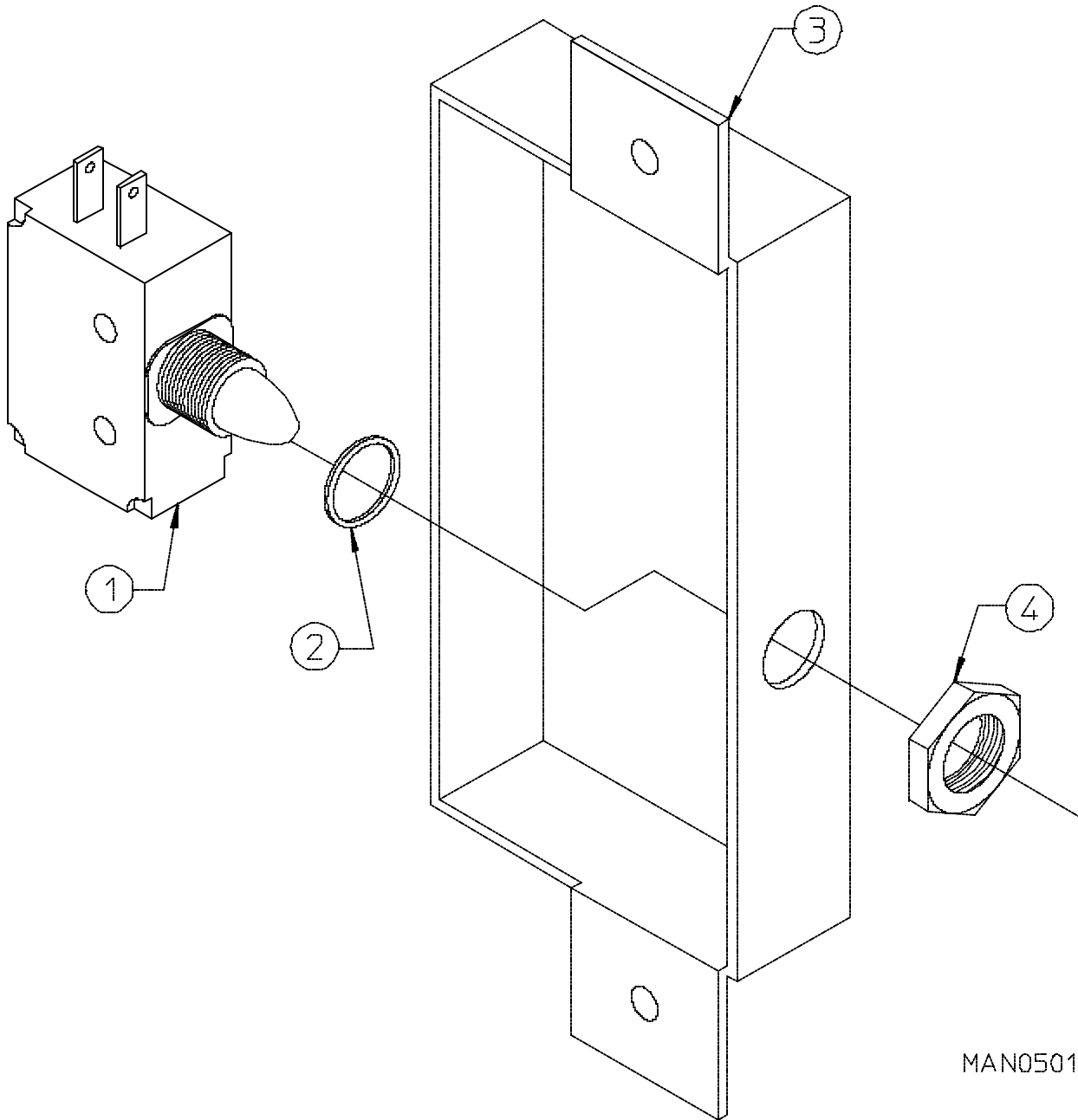


**For Door Latch Type Models ONLY**



<u>Illus. No.</u>	<u>Part No.</u>	<u>Qty.</u>	<u>Description</u>
1	875301*	1	AD-50 Right Hand Insulated Front Panel (latch type) Assembly Complete (includes illus. nos. 1, 2, 3, and 6)
	875312	1	AD-50 Stainless Steel Right Hand Insulated Front Panel (latch type) Assembly Complete (includes illus. nos. 1, 2, 3, and 6)
2	154215	2	5/32" Pop Rivet
3	170330	1	Friction Door Catch
4	150300	1	#10-16 x 1/2" Hex Washer TEK Screw
5	150309	8	#10-16 x 1/2" Hex Head TEK CrimpTite Screw
6	121405	1	Rubber Grommet
7	150201	2	#10-32 x 1/4" Phillips Pan Head TEK Screw
8	-----	1	New Style (N.S.) Series Main Door Switch (for microprocessor models mfd. as of November 21, 1990 and non-microprocessor models mfd. as of November 15, 1990) Refer to <b>New Style (N.S.) Series Main Door Switch Assembly</b> on <b>page 41</b>

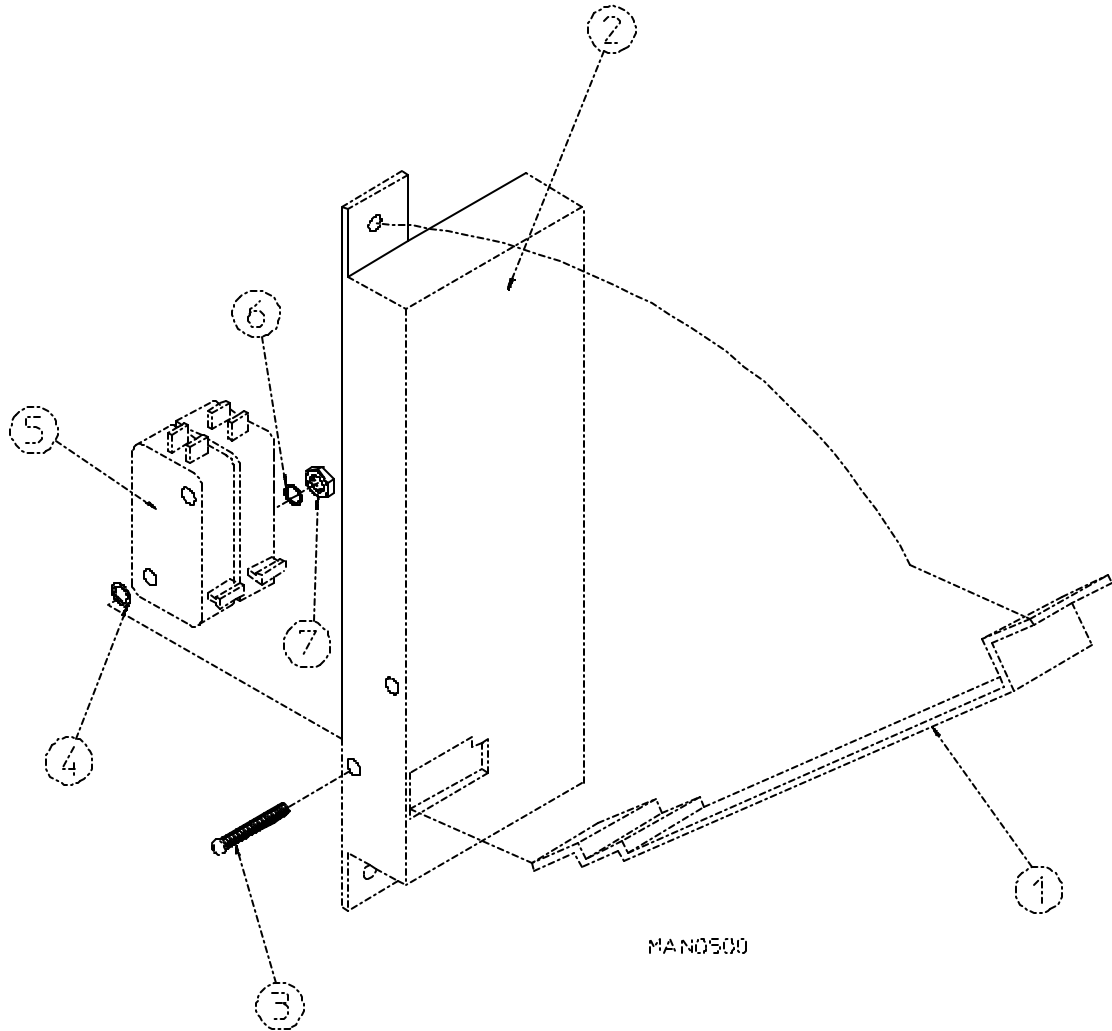
\* Specify color when ordering.



MAN0501

<u>Illus. No.</u>	<u>Part No.</u>	<u>Qty.</u>	<u>Description</u>
1	137003	1	Plunger Type Main Door Switch ONLY (includes illus. nos. 1, 2, and 4)
2	401551	*	Door Switch Spacer Washer
3	870010	1	Plunger Type Main Door Switch Assembly Complete (includes illus. nos. 1 through 4) For Microprocessor Models Mfd. prior to November 21, 1990 and Non-Microprocessor Models Mfd. prior to November 15, 1990
4	313209	1	Main Door Switch Housing ONLY
	152003	1	3/8-32 x 1/2" Door Switch Nut

\* As required.



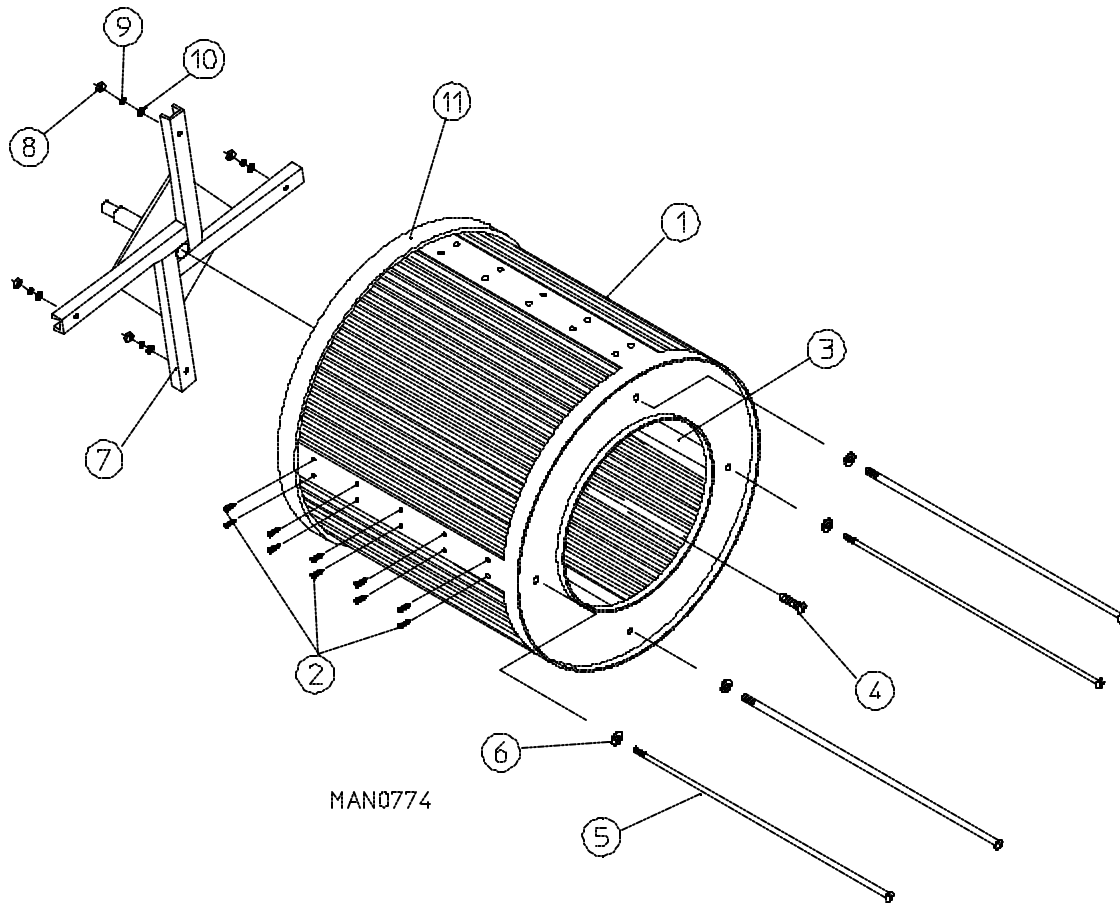
<u>Illus. No.</u>	<u>Part No.</u>	<u>Qty.</u>	<u>Description</u>
1	312215	1	Door Switch Actuator Arm
2	800445*	1	New Style (N.S.) Series Microprocessor Main Door Switch Housing Assembly Complete (includes illus. nos. 1 through 7) For Models Mfd. as of November 21, 1990
	880446*	1	New Style (N.S.) Series Non-Microprocessor Main Door Switch Housing Assembly Complete (includes illus. nos. 1 through 7) For Models Mfd. as of November 15, 1990
	313217	1	Main Door Switch Housing ONLY
3	150025	2	#4-40 x 1" Phillips Pan Head Machine Screw
4	153045	2	#4 Lock Washer
5*	137004	**	New Style (N.S.) Series Main Door Switch ONLY
6	153045	2	#4 Lock Washer
7	152016	2	#4-40 Hex Nut

\* Microprocessor controller (computer) models require two (2) New Style (N.S.) series door switches.  
Non-microprocessor controller (non-computer) models require one (1) New Style (N.S.) series door switch.

\*\* Quantity is 1 or 2.



## For Models Mfd. with Non-Tapered Ribs ONLY

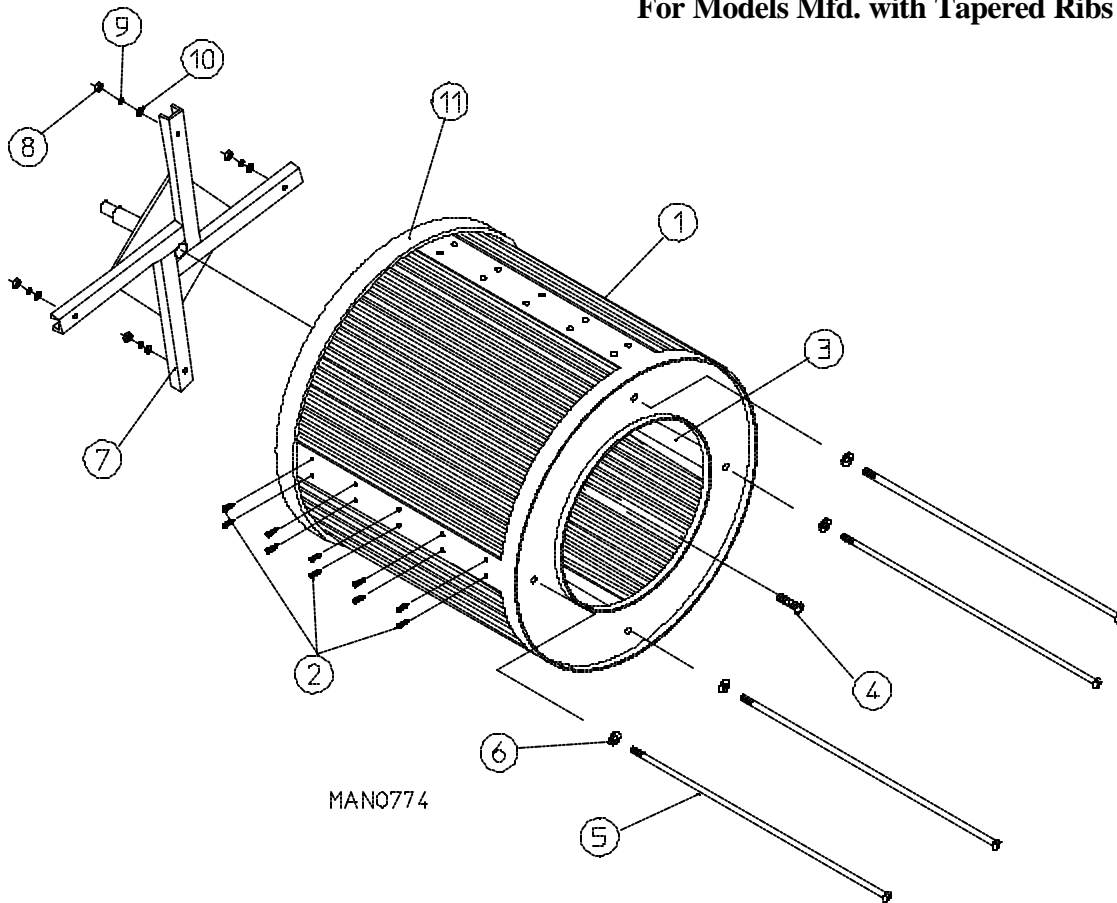


<u>Illus. No.</u>	<u>Part No.</u>	<u>Qty.</u>	<u>Description</u>
1*	800705**	1	AD-50 Basket (tumbler) ONLY without Felt Collar
	800820**	1	AD-50 Non-Reversing Basket (tumbler) and Support Assembly Complete (includes illus. nos. 1 through 10)
	800817**	1	AD-50 Reversing Basket (tumbler) and Support Assembly Complete (includes illus. nos. 1 through 10)
2	150309	40	#10-16 x 1/2" Hex Head TEK Crimptite Screw
3	301302	2	AD-50 Basket (tumbler) Rib ONLY (low rib)
	301310	2	AD-50 Basket (tumbler) Baffle Rib ONLY (high rib)
4	150518	1	5/16-18 x 3/8" Socket Button Head Screw
5	100902	4	5/16-18 x 31" Tie Rod
6	153001	4	5/16" Flat Washer
7	800616	1	AD-50 Non-Reversing Basket (tumbler) Support ONLY
	800614	1	AD-50 Reversing Basket (tumbler) Support ONLY
8	152004	4	5/16-18 Hex Nut
9	153002	4	5/16" Lock Washer
10	153001	4	5/16" Flat Washer
11	116002	1	Felt Collar ONLY
---	401010	1	#847 Adhesive For Felt Collar (5.0 oz. tube)

\* For stainless steel basket (tumbler), contact factory.

\*\* Felt collar *is not included* and **must be** ordered separately.

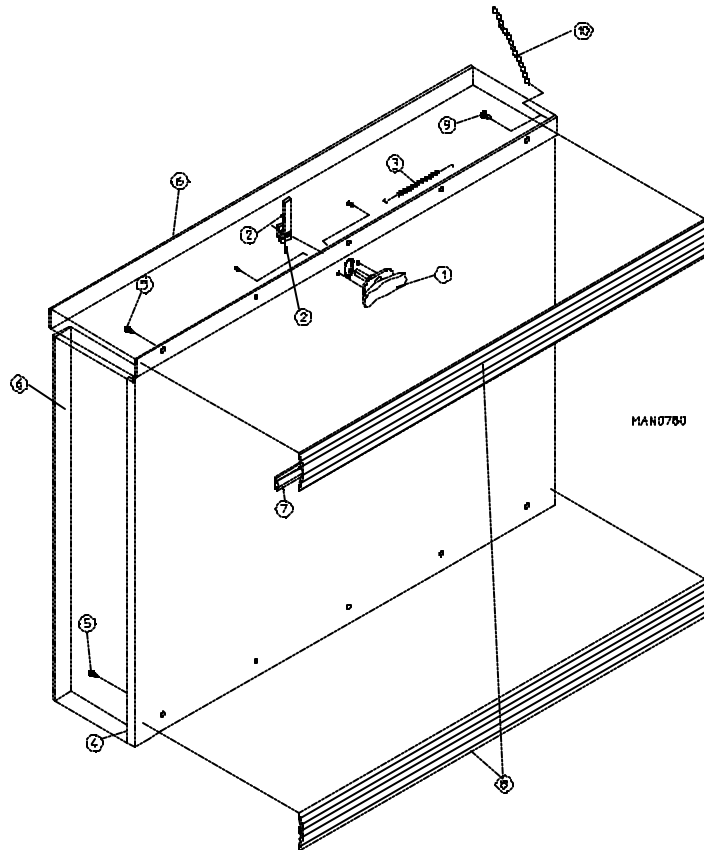
For Models Mfd. with Tapered Ribs ONLY



<u>Illus. No.</u>	<u>Part No.</u>	<u>Qty.</u>	<u>Description</u>
1*	800838**	1	AD-50 Basket (tumbler) ONLY with Tapered Ribs without Felt Collar
	800837**	1	AD-50 Non-Reversing Basket (tumbler) and Support Assembly Complete with Tapered Ribs (includes illus. nos. 1 through 10)
	800839**	1	AD-50 Reversing Basket (tumbler) and Support Assembly Complete with Tapered Ribs (includes illus. nos. 1 through 10)
2	150309	40	#10-16 x 1/2" Hex Head TEK Crimptite Screw
3	301302	2	AD-50 Basket (tumbler) Rib ONLY (low rib)
	301311	2	AD-50 Basket (tumbler) Baffle Rib ONLY (high rib)
4	150518	1	5/16-18 x 3/8" Socket Button Head Screw
5	100902	4	5/16-18 x 31" Tie Rod
6	153001	4	5/16" Flat Washer
7	800616	1	AD-50 Non-Reversing Basket (tumbler) Support ONLY
	800614	1	AD-50 Reversing Basket (tumbler) Support ONLY
8	152004	4	5/16-18 Hex Nut
9	153002	4	5/16" Lock Washer
10	153001	4	5/16" Flat Washer
11	116002	1	Felt Collar ONLY
---	401010	1	#847 Adhesive For Felt Collar (5.0 oz. tube)

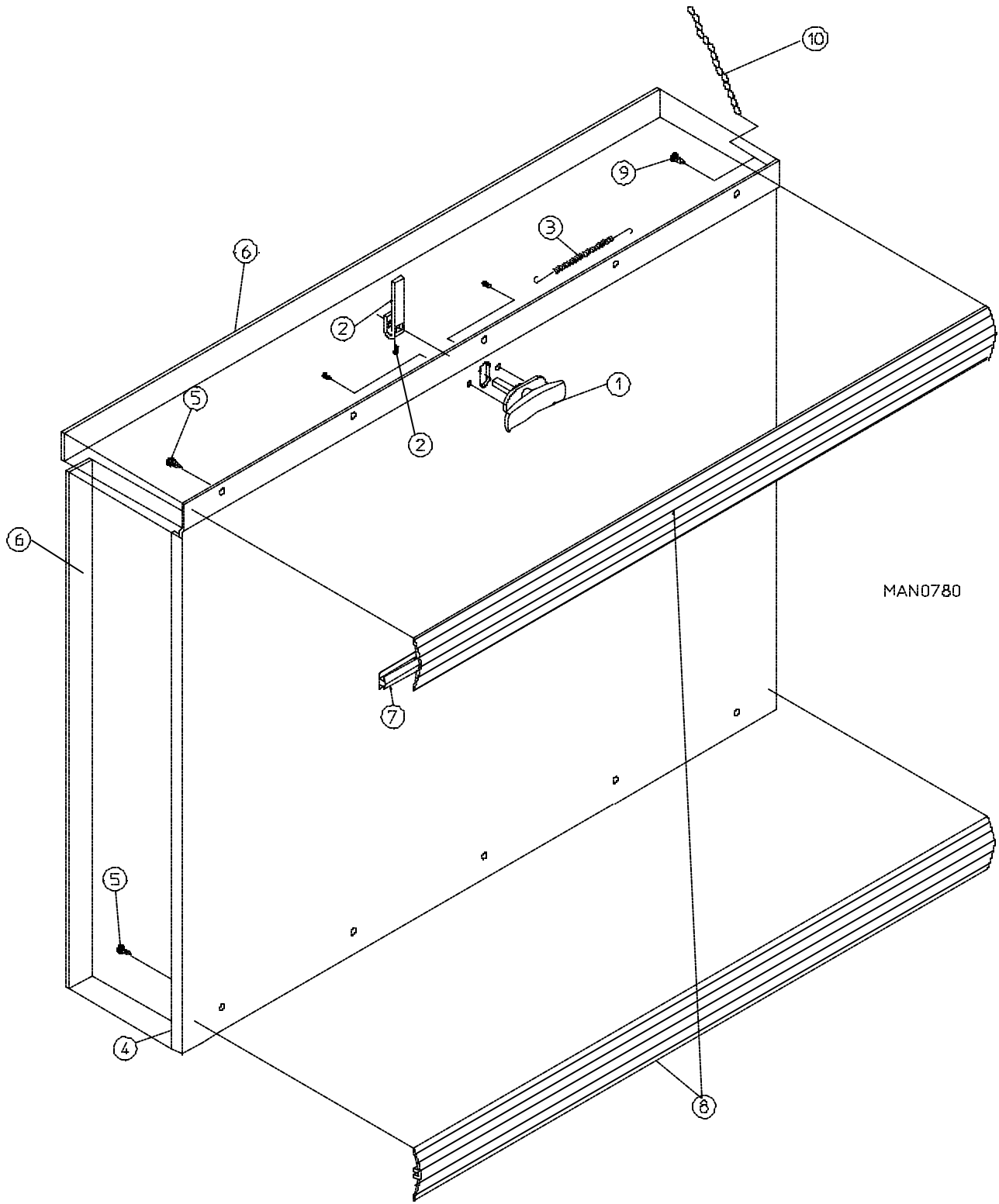
\* For stainless steel basket (tumbler), contact factory.

\*\* Felt collar is not included and **must be** ordered separately.



<u>Illus. No.</u>	<u>Part No.</u>	<u>Qty.</u>	<u>Description</u>
1	160001	1	AD-100 Lock Assembly with Key
	160103	1	AD-100 Key ONLY
	800150	1	Knob Latch Kit Assembly (for non-coin models Only)
	160200	1	Knob Latch ONLY with Two (2) Screws (for non-coin models Only)
	160003	1	Dummy Lock ONLY (for non-coin models Only)
	160104	1	MK-100 Key ONLY
2	160008	1	Lock Cam For AD-100 Lock
	160009	1	Knob Latch Adjustable Cam (for non-coin models Only)
	150425	1	#12-24 x 3/8" Phillips Round Head Machine Screw (for knob latch adjustable cam)
3	157000	1	Drop Lint Door Spring
4	800216*	1	AD-30 Drop Lint Door Assembly (includes illus. nos. 4 through 8)
	800233*	1	AD-30 Insulated Drop Lint Door Assembly (includes illus. nos. 4 through 8)
	800240	1	AD-30 Stainless Steel Drop Lint Door Assembly
5	150201	10	#10-32 x 1/4" Phillips Pan Head TEK Screw
6	117600	7	Noise Suppressor Tape (sold by the foot)
7	117603	3	Suppressor Tape/Gasket (sold by the foot)
8	180210	2	AD-30 Trim/Kick Plate (31-1/8" length)
9	150419	2	#6 x 1/2" Tamperproof TEK Screw
	150418	1	Tamperproof Screw Hand Driver
10	108120	1	Chain For Drop Lint Door

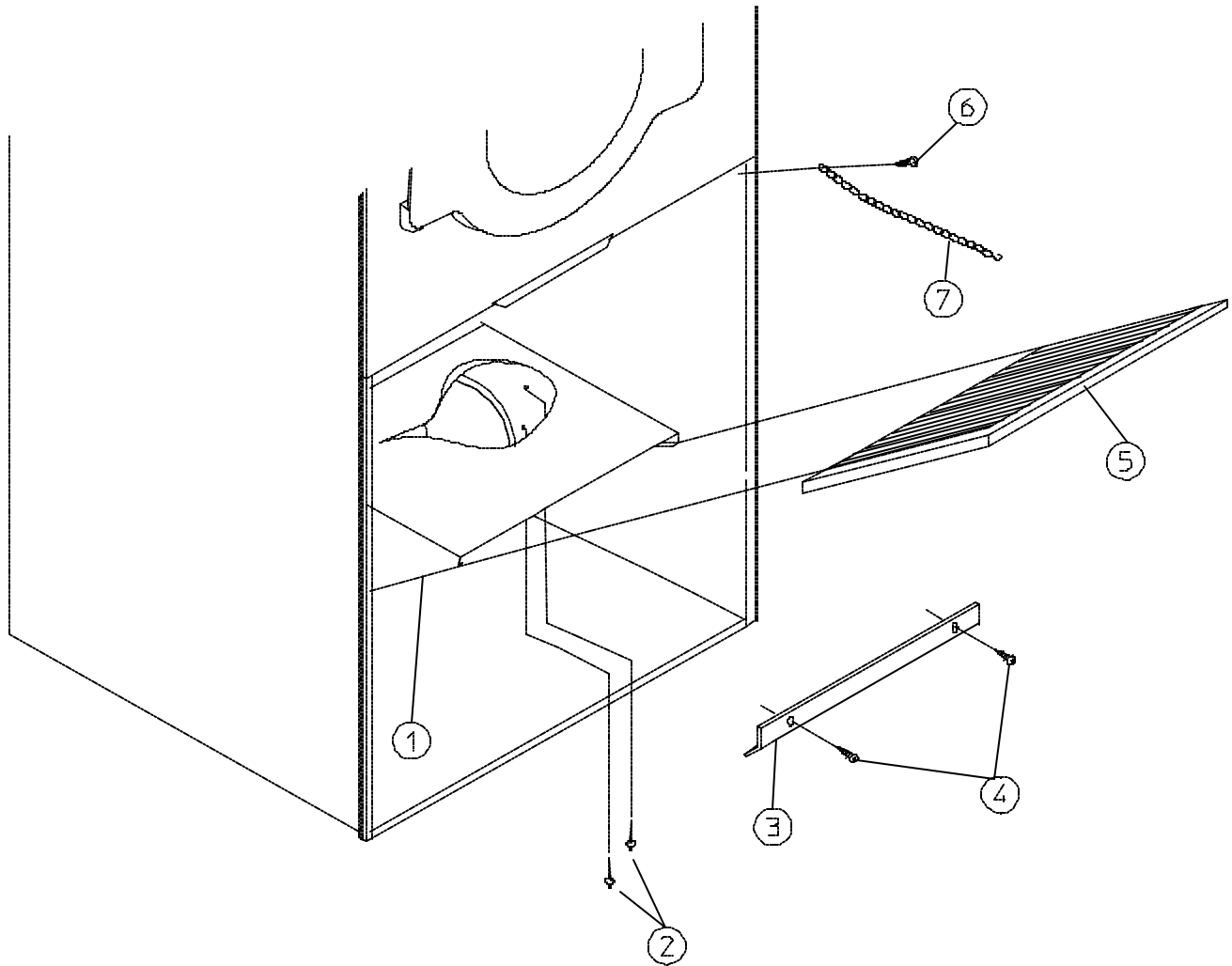
\* Specify color when ordering.





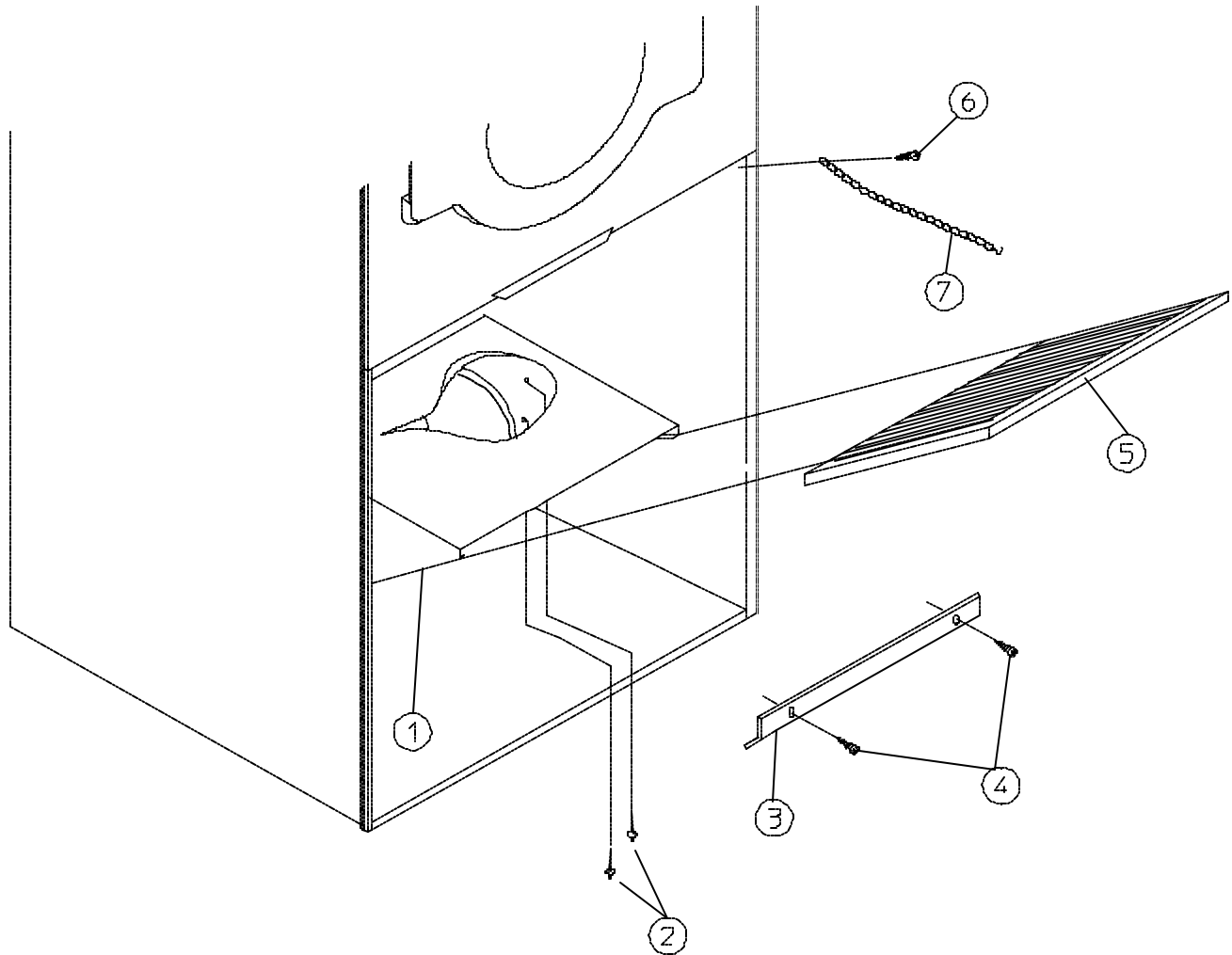
<u>Illus. No.</u>	<u>Part No.</u>	<u>Qty.</u>	<u>Description</u>
1	160001	1	AD-100 Lock Assembly with Key
	160103	1	AD-100 Key ONLY
	800150	1	Knob Latch Kit Assembly (for non-coin models Only)
	160200	1	Knob Latch ONLY with Two (2) Screws (for non-coin models Only)
	160003	1	Dummy Lock ONLY (for non-coin models Only)
	160104	1	MK-100 Key ONLY
2	160008	1	Lock Cam For AD-100 Lock
	160009	1	Knob Latch Adjustable Cam (for non-coin models Only)
	150425	1	#12-24 x 3/8" Phillips Round Head Machine Screw (for knob latch adjustable cam)
3	157000	1	Drop Lint Door Spring
4	800219*	1	AD-50 Drop Lint Door Assembly (includes illus. nos. 4 through 8)
	800232*	1	AD-50 Insulated Drop Lint Door Assembly (includes illus. nos. 4 through 8)
	800243	1	AD-50 Stainless Steel Drop Lint Door Assembly
5	150201	10	#10-32 x 1/4" Phillips Pan Head TEK Screw
6	117600	7	Noise Suppressor Tape (sold by the foot)
7	117603	3	Suppressor Tape/Gasket (sold by the foot)
8	180210	2	AD-30 Trim/Kick Plate (31-1/8" length)
9	150419	2	#6 x 1/2" Tamperproof TEK Screw
	150418	1	Tamperproof Screw Hand Driver
10	108120	1	Chain For Drop Lint Door

\* Specify color when ordering.



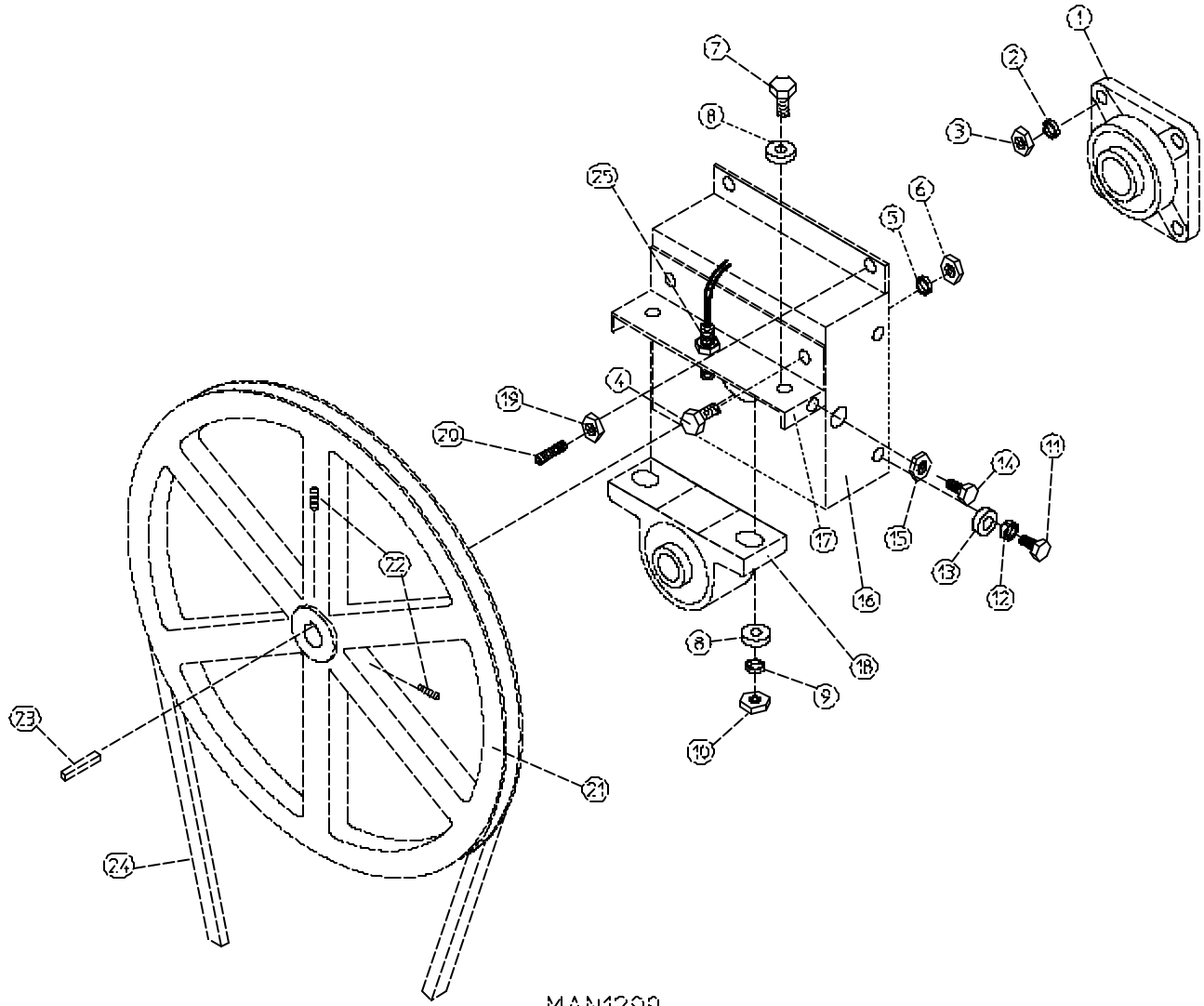
MAN0107

<u>Illus. No.</u>	<u>Part No.</u>	<u>Qty.</u>	<u>Description</u>
1	800408	1	AD-30 Lint Trap Assembly Complete (includes illus. nos. 1, 3, 4, and 5)
	800409	1	AD-30 Lint Trap ONLY
2	154200	7	5/32" Pop Rivet
3	304102	1	AD-30 Lint Screen Holder ONLY
4	150300	3	#10-16 x 1/2" Hex Washer TEK Screw
5	800503	1	AD-30 Lint Screen ONLY
6	150419	2	#6 x 1/2" Tamperproof TEK Screw
7	108120	1	Chain For Drop Lint Door (10-1/2" length)
-	150418	1	Tamperproof Screw Hand Driver



MAN0107

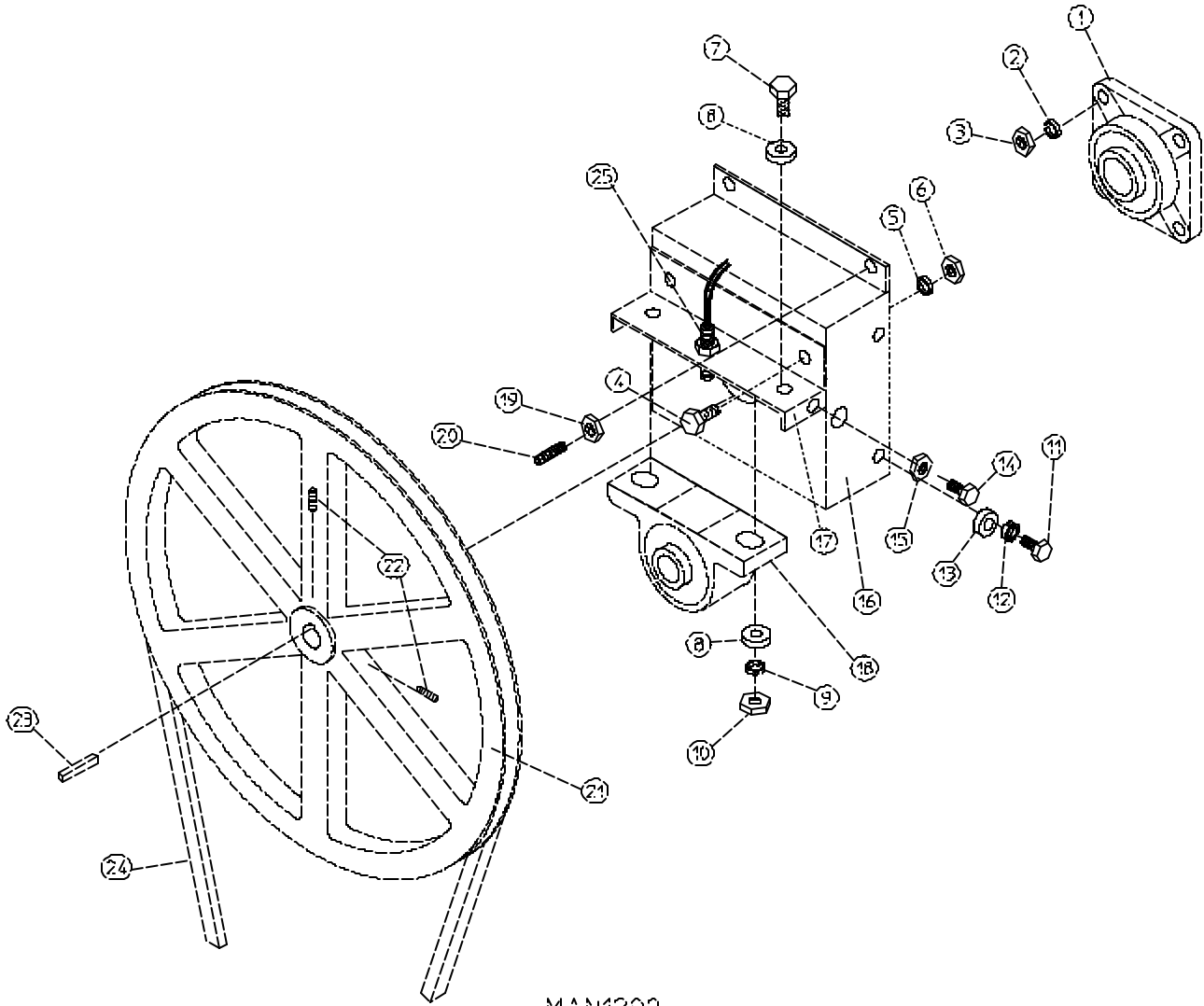
<u>Illus. No.</u>	<u>Part No.</u>	<u>Qty.</u>	<u>Description</u>
1	800402	1	AD-50 Lint Trap Assembly Complete (includes illus. nos. 1, 3, 4, and 5)
	800404	1	AD-50 Non-Reversing Lint Trap ONLY
	800407	1	AD-50 Reversing Lint Trap Assembly Complete (includes illus. nos. 1, 3, 4, and 5)
	800406	1	AD-50 Reversing Lint Trap ONLY
2	154200	7	5/32" Pop Rivet
3	304101	1	AD-50 Lint Screen Holder ONLY
4	150300	3	#10-16 x 1/2" Hex Washer TEK Screw
5	800501	1	AD-50 Lint Screen ONLY
6	150419	2	#6 x 1/2" Tamperproof TEK Screw
7	108120	1	Chain For Drop Lint Door
-	150418	1	Tamperproof Screw Hand Driver



MAN1299

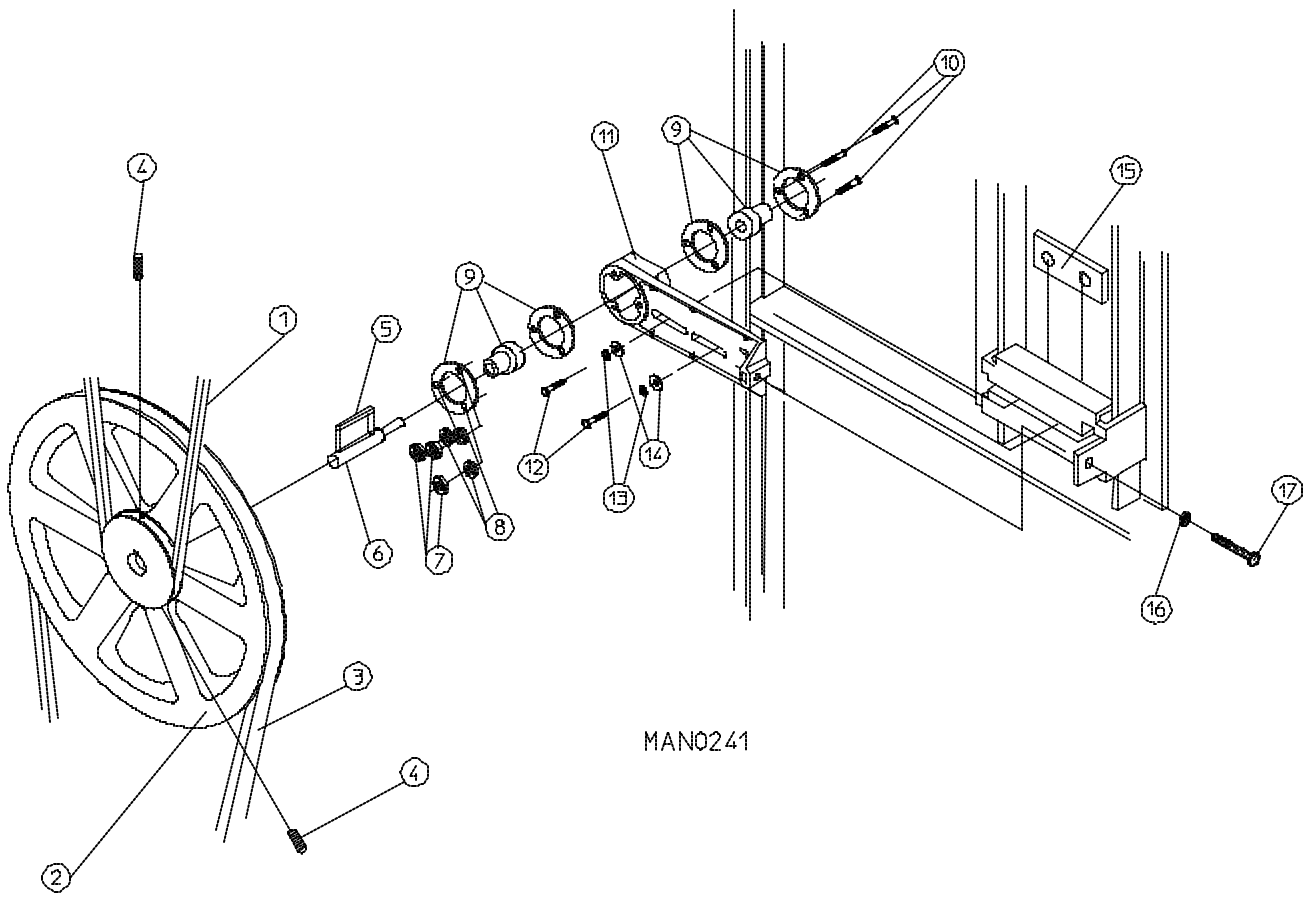
<u>Illus. No.</u>	<u>Part No.</u>	<u>Qty.</u>	<u>Description</u>
1	880203	1	1-3/8" Flange Bearing with Nylock Setscrew
2	153005	4	3/8" Lock Washer
3	152005	4	3/8-16 Hex Nut
4	150508	2	3/8-16 x 3/4" Hex Head Machine Bolt
5	153005	2	3/8" Lock Washer
6	152005	2	3/8-16 Hex Nut
7	150600	2	3/8-16 x 1-1/2" Hex Head Machine Bolt
8	153004	*	3/8" Flat Washer
9	153005	2	3/8" Lock Washer
10	152005	2	3/8-16 Hex Nut
11	150501	4	5/16-18 x 3/4" Hex Head Machine Bolt
12	153002	4	5/16" Lock Washer
13	153001	4	5/16" Flat Washer
14	150621	2	5/16-18 x 1-1/2" Hex Head Machine Bolt
15	152004	2	5/16-18 Hex Nut
16	801101	1	1-3/8" Bearing Box Assembly Complete (includes illus. nos. 4 through 20)
	801103	1	1-3/8" Bearing Box and Support ONLY (includes illus. nos. 4, 5, 6, 16, and 17)
	801105	1	1-3/8" Bearing Box ONLY
17	801104	1	Pillow Block Bearing Support ONLY
18	880779	1	1-3/8" Pillow Block Bearing Assembly with Magnet (for models mfd. with rotational sensor)
	880202	1	1-3/8" Pillow Block Bearing ONLY
19	152004	2	5/16-18 Hex Nut
20	150610	2	5/16-18 x 1-1/2" Allen Setscrew
21	101100	1	18" Pulley
22	154301	2	5/16-18 x 1" Allen Setscrew
23	100713	1	1/4" x 1/4" x 7/8" Key
24	100108	1	5L-680 V-Belt (basket [tumbler] to idler)
25	824807	1	Rotational Sensor Assembly

\* As required.



<u>Illus. No.</u>	<u>Part No.</u>	<u>Qty.</u>	<u>Description</u>
1	880220	1	1-3/4" Flange Bearing with Nylock Setscrew
2	153025	4	9/16" Lock Washer
3	152050	4	9/16-12 Hex Nut
4	150508	2	3/8-16 x 3/4" Hex Head Machine Bolt
5	153005	2	3/8" Lock Washer
6	152005	2	3/8-16 Hex Nut
7	150600	2	3/8-16 x 1-1/2" Hex Head Machine Bolt
8	153004	*	3/8" Flat Washer
9	153005	2	3/8" Lock Washer
10	152005	2	3/8-16 Hex Nut
11	150501	4	5/16-18 x 3/4" Hex Head Machine Bolt
12	153002	4	5/16" Lock Washer
13	153001	4	5/16" Flat Washer
14	150621	2	5/16-18 x 1-1/2" Hex Head Machine Bolt
15	152004	2	5/16-18 Hex Nut
16	801101	1	1-3/8" Bearing Box Assembly Complete (includes illus. nos. 4 through 20)
	801103	1	1-3/8" Bearing Box and Support ONLY (includes illus. nos. 4, 5, 6, 16, and 17)
	801105	1	1-3/8" Bearing Box ONLY
17	801104	1	Pillow Block Bearing Support ONLY
18	880779	1	1-3/8" Pillow Block Bearing Assembly with Magnet (for models mfd. with rotational sensor)
	880202	1	1-3/8" Pillow Block Bearing ONLY
19	152004	2	5/16-18 Hex Nut
20	150610	2	5/16-18 x 1-1/2" Allen Setscrew
21	101100	1	18" Pulley (for non-reversing models Only)
	101118	1	18-3/4" Pulley (for reversing models Only)
	101119	1	1-3/8" Taper Lock Hub (for reversing models Only)
22	154301	2	5/16-18 x 1" Allen Setscrew
23	100713	1	1/4" x 1/4" x 7/8" Key
24	100108	1	5L-680 V-Belt (basket [tumbler] to idler)
25	824807	1	Rotational Sensor Assembly

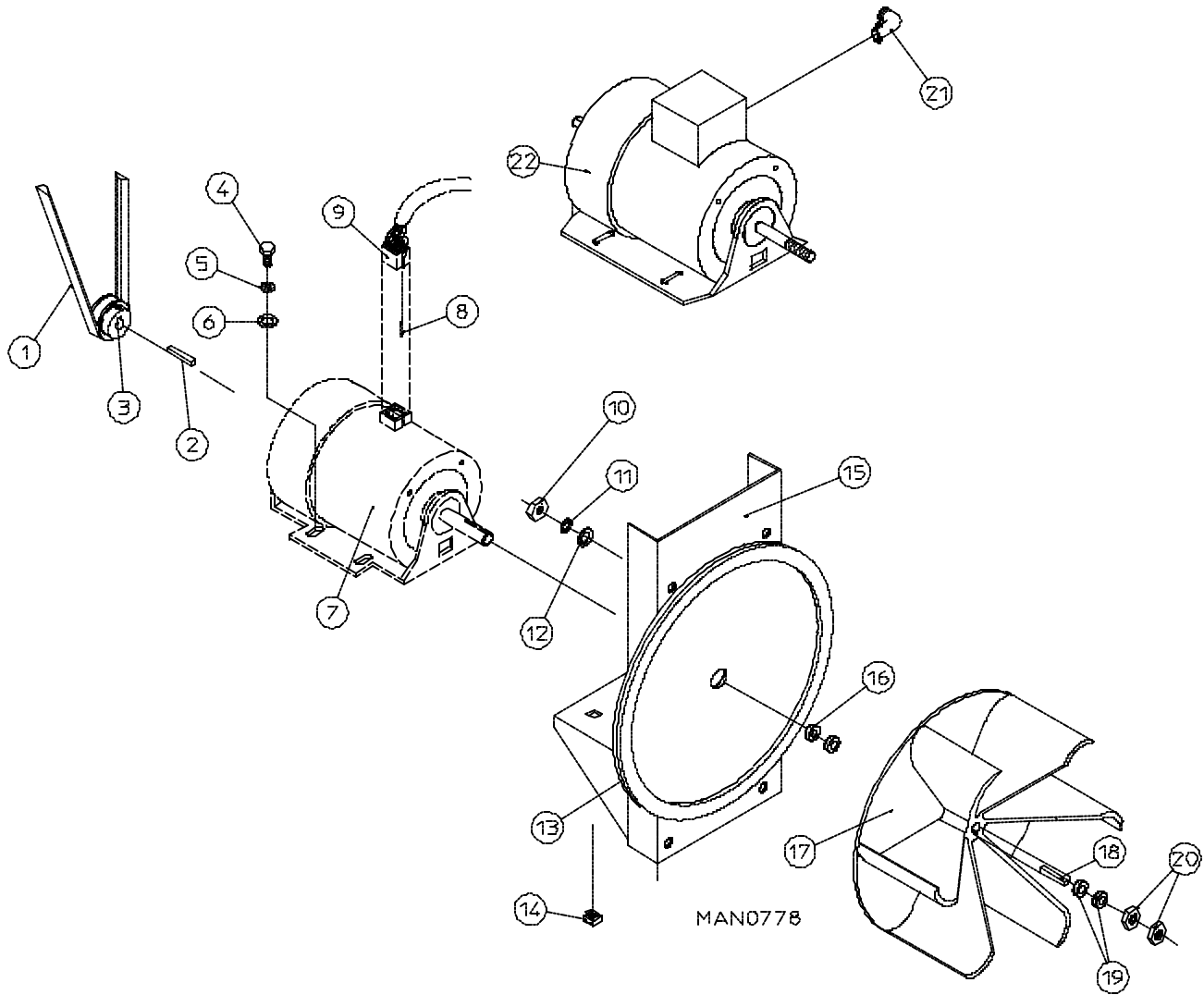
\* As required.





<u>Illus. No.</u>	<u>Part No.</u>	<u>Qty.</u>	<u>Description</u>
1	100108	1	5L-680 V-Belt (idler to basket [tumbler]) For Use On AD-30 and AD-50 Models
2	101129	1	9" x 2-1/2" Compound Pulley (for use on AD-30 models Only)
	101140	1	14" x 3" Compound Pulley (for use on AD-50 models Only)
3	100110	1	4L-500 V-Belt (idler to motor) For Use On AD-30 Models ONLY
	100112	1	4L-610 V-Belt (idler to motor) For Use On AD-50 Models ONLY
4	154301	2	5/16-18 x 1" Allen Setscrew
5	100705	1	3/16" x 3/16" x 1-3/8" Key
6	301850	1	5/8" x 3/4" Idler Shaft
7	152002	3	1/4-20 Hex Nut
8	153007	3	1/4" Lock Washer
9	100214	2	5/8" Flange Bearing
10	150521	3	1/4-20 x 2" Carriage Bolt
11	801007	1	Idler Bearing Assembly Complete (includes illus. nos. 5 through 17)
12	150617	2	3/8-16 x 1" Hex Head Machine Bolt
13	153005	2	3/8" Lock Washer
14	153004	2	3/8" Flat Washer
15	801009	1	Idler Square Washer
16	152004	1	5/16-18 Hex Nut
17	150509	1	5/16-18 x 3" Hex Head Machine Bolt

For Models Mfd. with Non-Tapered Ribs ONLY

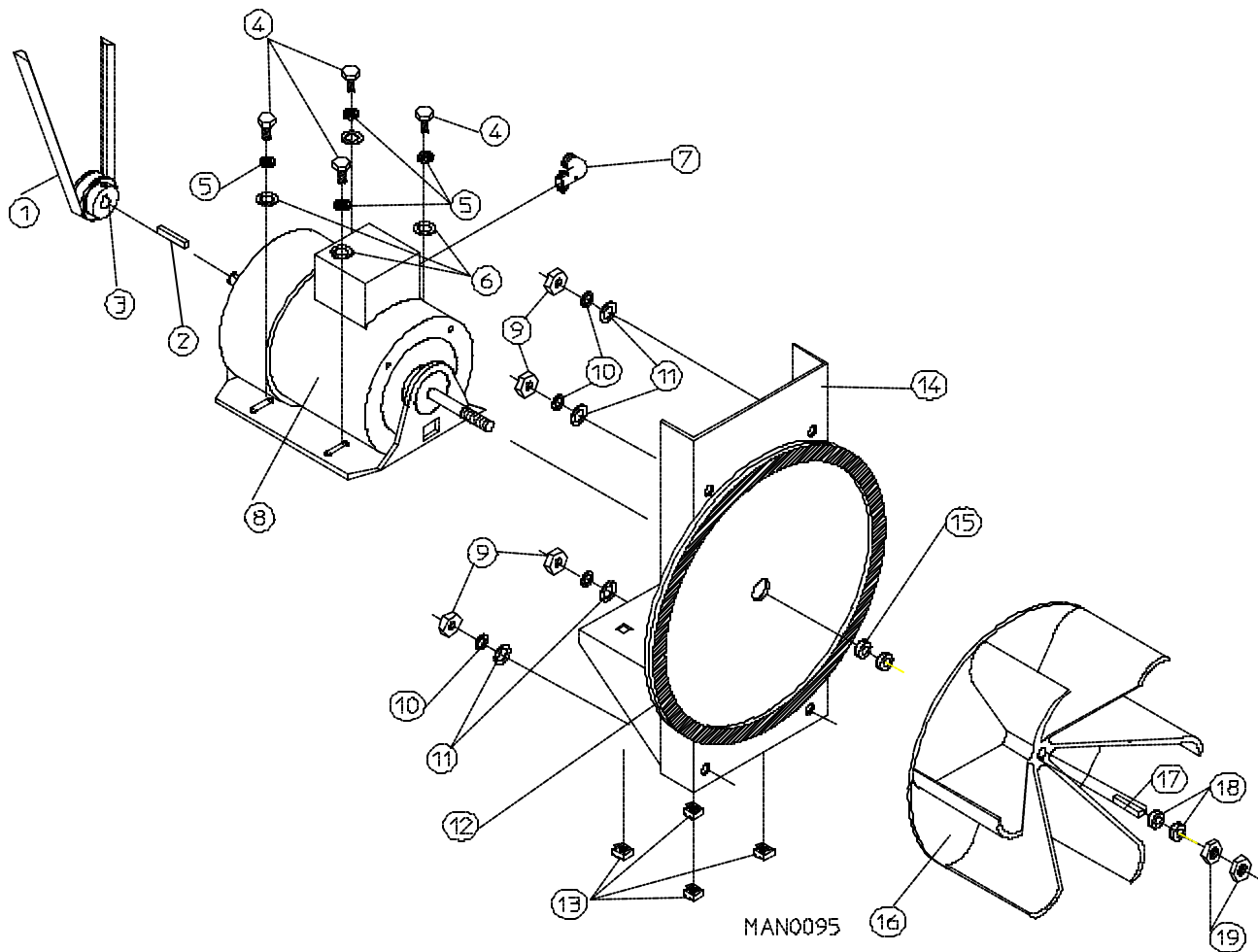


**For Models Mfd. with Non-Tapered Ribs ONLY**

<u>Illus. No.</u>	<u>Part No.</u>	<u>Qty.</u>	<u>Description</u>
1	100110	1	4L-500 V-Belt (motor to idler)
2	100701	1	3/16" x 3/16" x 1" Key (for use on 3-phase [3 $\phi$ ] models Only)
3	101104	1	1/2" x 2" Motor Pulley (for use on 1-phase [1 $\phi$ ] models Only)
	101132	1	5/8" x 2" Motor Pulley (for use on 3-phase [3 $\phi$ ] models Only)
4	150501	4	5/16-18 x 3/4" Hex Head Machine Bolt
5	153002	4	5/16" Lock Washer
6	153001	4	5/16" Flat Washer
7*	100065	1	1/2 HP 100-230v 1 $\phi$ 50/60 Hz Totally Enclosed, Fan-Cooled (T.E.F.C.) Motor with Plug
8	122701	8	Socket Terminal ONLY
	122801	1	Pin/Socket Extraction Tool
9	137030	1	8-Pin Housing Connector
10	152004	4	5/16-18 Hex Nut
11	153002	4	5/16" Lock Washer
12	153001	4	5/16" Flat Washer
13	117600	4	Noise Suppressor Tape (sold by the foot)
14	154000	4	5/16-18 Tinnerman Nut
15	800908	1	AD-30 Non-Reversing Motor Mount ONLY (56Z frame)
	803938*	1	1/2 HP 120-230v 1 $\phi$ 60 Hz Totally Enclosed, Fan-Cooled (T.E.F.C.) Non-Reversing Motor Mount Assembly Complete (includes illus. nos. 3 through 7 and 13 through 20) Plug Type Motor
	803883*	1	1/2 HP 120-230v 1 $\phi$ 60 Hz Totally Enclosed, Fan-Cooled (T.E.F.C.) Non-Reversing Motor Mount Assembly Complete (includes illus. nos. 3 through 7 and 13 through 22) Non-Plug Type Motor
	803809*	1	1/2 HP 208/230/380/460v 3 $\phi$ 60 Hz Totally Enclosed, Fan-Cooled (T.E.F.C.) Non-Reversing Motor Mount Assembly Complete (includes illus. nos. 3 through 7 and 13 through 22) Non-Plug Type Motor
16	153050	2	1/2" S.A.E. Flat Washer
17	100604	1	12-1/2" Impellor (fan/blower) with 1/2" Bore
18	100702	1	1/8" x 1/8" x 1-1/2" Key
19	153050	2	1/2" S.A.E. Flat Washer
20	152006	2	1/2-20 Left Hand Jam Nut
21	120200	1	3/8" x 90° Connector
22*	100004	1	1/2 HP 120-230v 1 $\phi$ 60 Hz Totally Enclosed, Fan-Cooled (T.E.F.C.) Motor (56Z frame) Non-Plug Type Motor
	100007	1	1/2 HP 208/230/380/460v 3 $\phi$ 60 Hz Totally Enclosed, Fan-Cooled (T.E.F.C.) Motor (56Z frame) Non-Plug Type Motor

\* Specify voltage when ordering.

For Models Mfd. with Non-Tapered Ribs ONLY

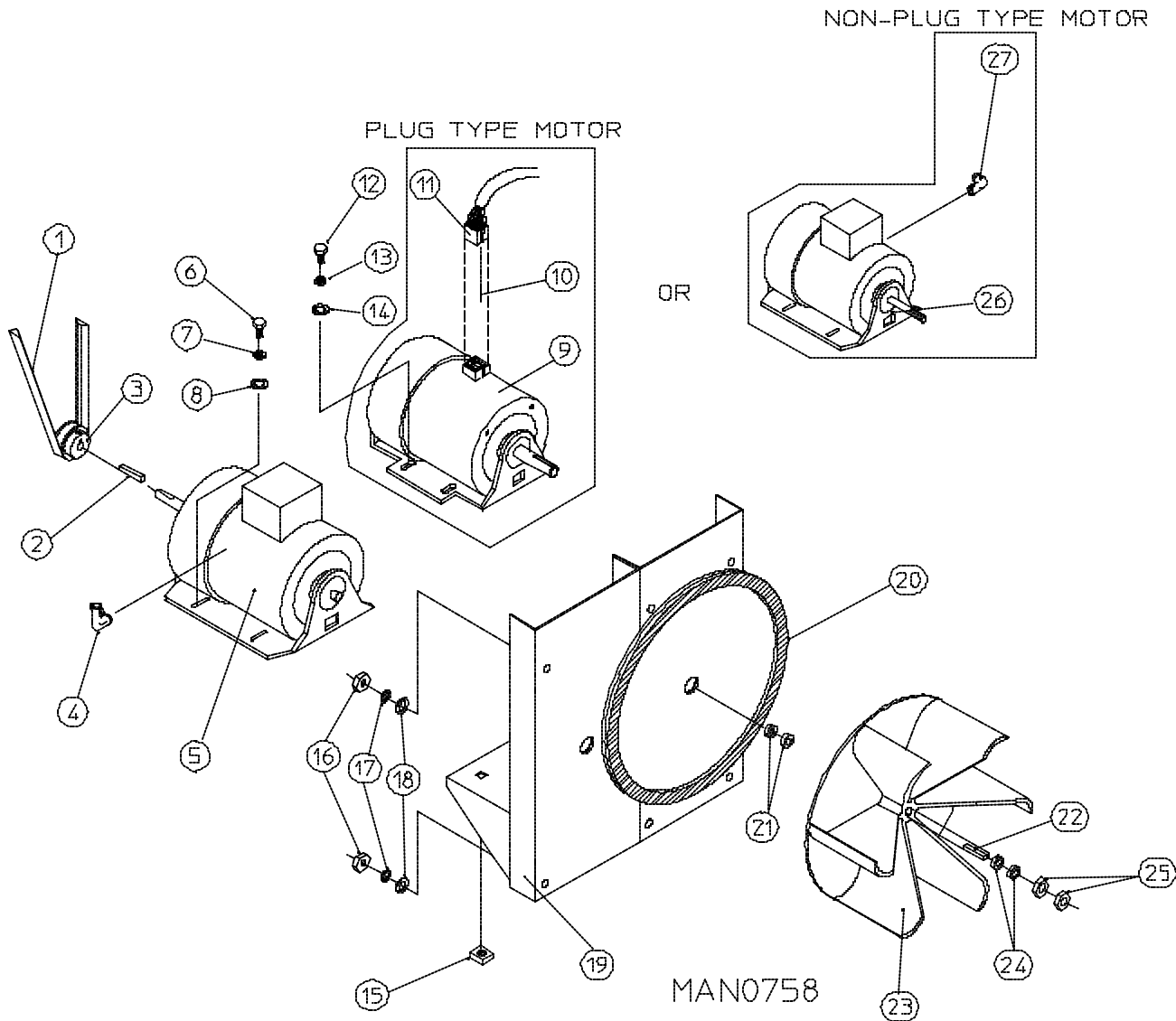


**For Models Mfd. with Non-Tapered Ribs ONLY**

<u>Illus. No.</u>	<u>Part No.</u>	<u>Qty.</u>	<u>Description</u>
1	100112	1	4L-610 V-Belt (motor to idler)
2	100701	1	3/16" x 3/16" x 1" Key (for use on 3-phase [3 $\phi$ ] models Only)
3	101133	1	5/8" x 2-1/4" Motor Pulley (for use on 60 Hz models Only)
	101130	1	5/8" x 2-1/2" Motor Pulley (for use on 50 Hz models Only)
4	150501	4	5/16-18 x 3/4" Hex Head Machine Bolt
5	153002	4	5/16" Lock Washer
6	153001	4	5/16" Flat Washer
7	120200	1	3/8" x 90° Connector
8	100033*	1	3/4 HP 120/230v 1 $\phi$ 60 Hz Totally Enclosed, Fan-Cooled (T.E.F.C.) Motor (56Z frame)
	100034	1	3/4 HP 230v 1 $\phi$ 50 Hz Totally Enclosed, Fan-Cooled (T.E.F.C.) Motor (56Z frame)
	100007*	1	1/2 HP 208/230/380/460v 3 $\phi$ 50/60 Hz Totally Enclosed, Fan-Cooled (T.E.F.C.) Motor (56Z frame)
9	152004	4	5/16-18 Hex Nut
10	153002	4	5/16" Lock Washer
11	153001	4	5/16" Flat Washer
12	117600	4	Noise Suppressor Tape (sold by the foot)
13	154000	4	5/16-18 Tinnerman Nut
14	800905	1	AD-50 Non-Reversing Motor Mount ONLY (56Z frame)
	803852*	1	3/4 HP 120-230v 1 $\phi$ 60 Hz Totally Enclosed, Fan-Cooled (T.E.F.C.) Non-Reversing Motor Mount Assembly Complete (includes illus. nos. 3 through 8 and 12 through 19)
	803793*	1	3/4 HP 230v 1 $\phi$ 50 Hz Totally Enclosed, Fan-Cooled (T.E.F.C.) Non-Reversing Motor Mount Assembly Complete (includes illus. nos. 3 through 8 and 1 through 19)
	803849*	1	1/2 HP 208/230/380/460v 3 $\phi$ 60 Hz Totally Enclosed, Fan-Cooled (T.E.F.C.) Non-Reversing Motor Mount Assembly Complete (includes illus. nos. 3 through 8 and 12 through 19)
	803856*	1	1/2 HP 208/230/380/460v 3 $\phi$ 50 Hz Totally Enclosed, Fan-Cooled (T.E.F.C.) Non-Reversing Motor Mount Assembly Complete (includes illus. nos. 3 through 8 and 12 through 19)
15	153050	2	1/2" S.A.E. Flat Washer
16	100604	1	12-1/2" Impellor (fan/blower) with 1/2" Bore
17	100702	1	1/8" x 1/8" x 1-1/2" Key
18	153050	2	1/2" S.A.E. Flat Washer
19	152006	2	1/2-20 Left Hand Jam Nut

\* Specify voltage when ordering.

For Models Mfd. with Non-Tapered Ribs ONLY



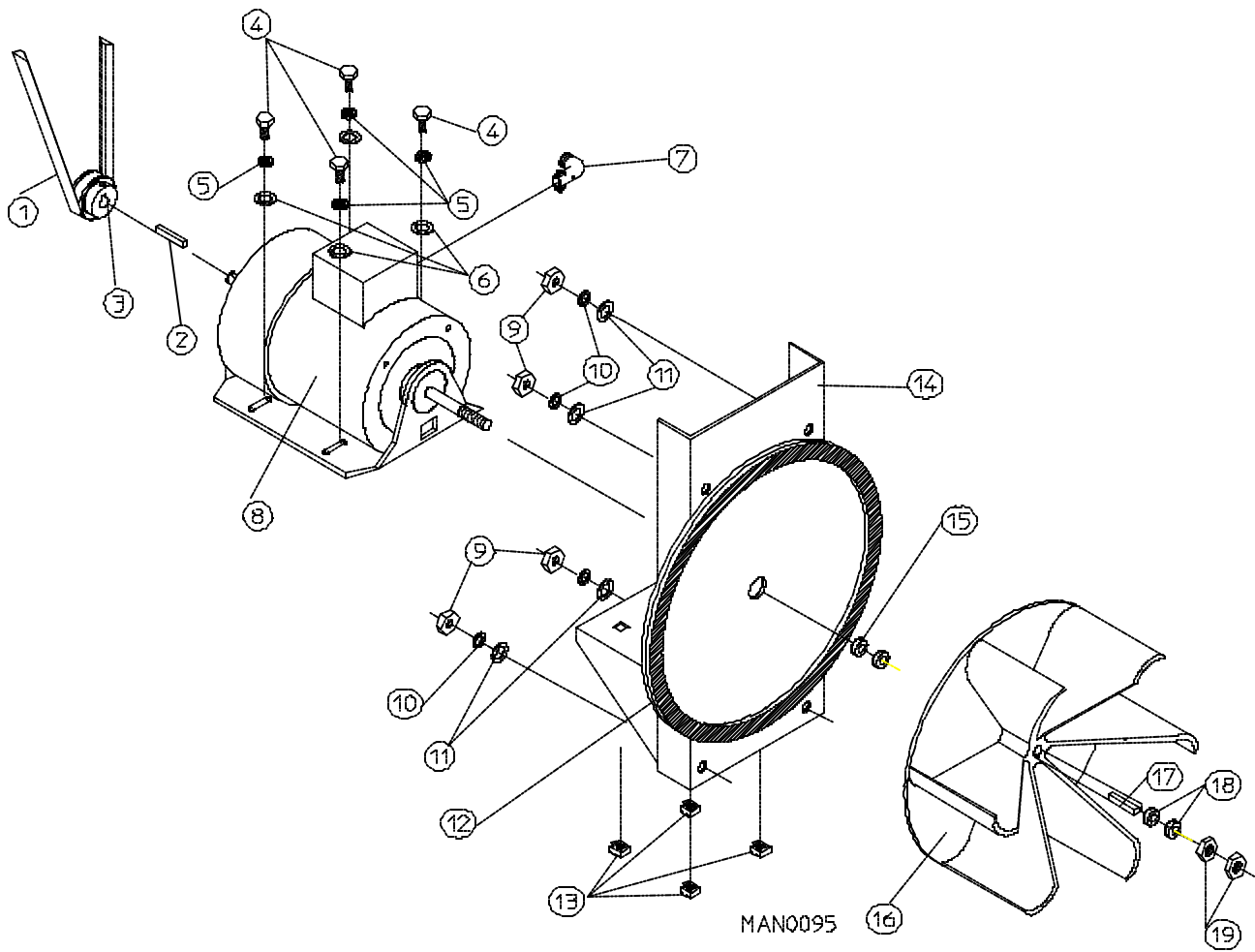
<u>Illus. No.</u>	<u>Part No.</u>	<u>Qty.</u>	<u>Description</u>
1	100112	1	4L-610 V-Belt (motor to idler)
2	100701	1	3/16" x 3/16" x 1" Key
3	101133	1	5/8" x 2-1/4" Motor Pulley (for use on 60 Hz models Only)
	101130	1	5/8" x 2-1/2" Motor Pulley (for use on 50 Hz models Only)
4	120200	1	3/8" x 90° Connector
5	181003*	1	1/2 HP 208/230/380/460v 3ø 50/60 Hz Totally Enclosed, Fan-Cooled (T.E.F.C.) Motor (56Z frame) Non-Plug Type Motor
6	150501	4	5/16-18 x 3/4" Hex Head Machine Bolt
7	153002	4	5/16" Lock Washer
8	153001	4	5/16" Flat Washer

**For Models Mfd. with Non-Tapered Ribs ONLY**

<u>Illus. No.</u>	<u>Part No.</u>	<u>Qty.</u>	<u>Description</u>
9	100065	1	1/2 HP 100-230v 1 $\phi$ 50/60 Hz Totally Enclosed, Fan-Cooled (T.E.F.C.) Motor - Plug Type Motor
10	122701	8	Socket Terminal ONLY
	122801	1	Pin/Socket Extraction Tool
11	137030	1	8-Pin Housing Connector
12	150501	4	5/16-18 x 3/4" Hex Head Machine Bolt
13	153002	4	5/16" Lock Washer
14	153001	4	5/16" Flat Washer
15	154000	8	5/16-18 Tinnerman Nut
16	152004	4	5/16-18 Hex Nut
17	153002	4	5/16" Lock Washer
18	153001	4	5/16" Flat Washer
19	800912	1	AD-50 Reversing Motor Mount ONLY
	803873*	1	AD-50 1 $\phi$ 50/60 Hz Reversing Totally Enclosed, Fan-Cooled (T.E.F.C.) Motor Mount Assembly Complete - Plug Type Motor (includes illus. nos. 2 through 15 and 19 through 25)
	803869*	1	AD-50 1 $\phi$ 60 Hz Reversing Totally Enclosed, Fan-Cooled (T.E.F.C.) Motor Mount Assembly Complete - Non-Plug Type Motor (includes illus. nos. 2 through 8, 12 through 15, and 19 through 27)
	803940	1	AD-50 3 $\phi$ 50 Hz Reversing Totally Enclosed, Fan-Cooled (T.E.F.C.) Motor Mount Assembly Complete - Non-Plug Type Motor (includes illus. nos. 2 through 8, 12 through 15, and 19 through 27)
20	117600	4	Noise Suppressor Tape (sold by the foot)
21	153050	2	1/2" S.A.E. Flat Washer
22	100702	1	1/8" x 1/8" x 1-1/2" Key
23	100604	1	12-1/2" Impellor (fan/blower) with 1/2" Bore
24	153050	2	1/2" S.A.E. Flat Washer
25	152006	2	1/2-20 Left Hand Jam Nut
26	100004*	1	1/2 HP 120-230v 1 $\phi$ 60 Hz Totally Enclosed, Fan-Cooled (T.E.F.C.) Motor (56Z frame) Non-Plug Type Motor
	100035	1	1/2 HP 230v 3 $\phi$ 50 Hz Totally Enclosed, Fan-Cooled (T.E.F.C.) Motor (56Z frame) Non-Plug Type Motor
27	120200	1	3/8" x 90° Connector

\* Specify voltage when ordering.

For Models Mfd. with Tapered Ribs ONLY



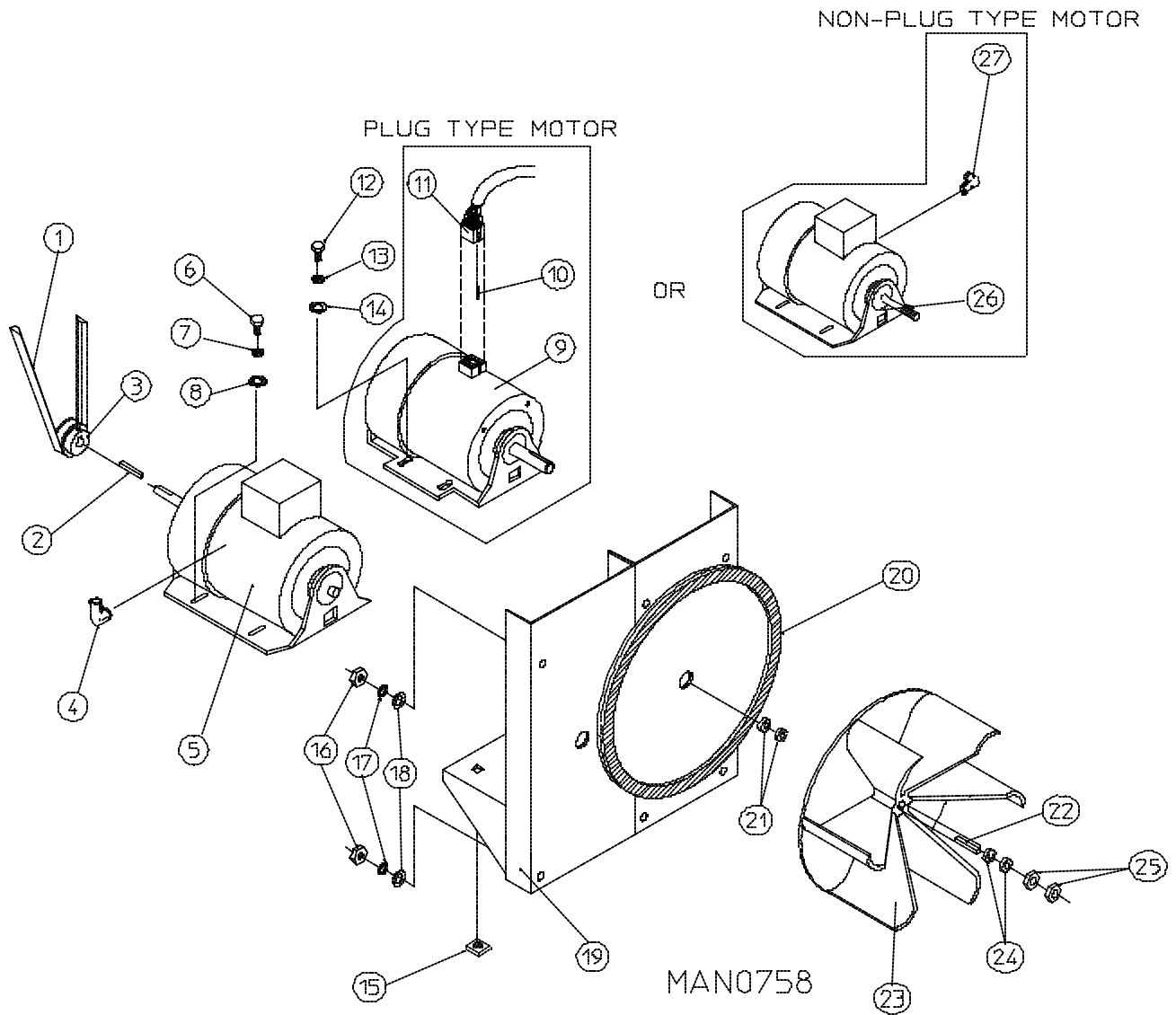


**For Models Mfd. with Tapered Ribs ONLY**

<u>Illus. No.</u>	<u>Part No.</u>	<u>Qty.</u>	<u>Description</u>
1	100112	1	4L-610 V-Belt (motor to idler)
2	100701	1	3/16" x 3/16" x 1" Key (for use on 3-phase [3 $\phi$ ] models Only)
3	101130	1	5/8" x 2-1/2" Motor Pulley (for use on 60 Hz models Only)
	101139	1	5/8" x 2-3/4" Motor Pulley (for use on 50 Hz models Only)
4	150501	4	5/16-18 x 3/4" Hex Head Machine Bolt
5	153002	4	5/16" Lock Washer
6	153001	4	5/16" Flat Washer
7	120200	1	3/8" x 90° Connector
8	100033*	1	3/4 HP 120/230v 1 $\phi$ 60 Hz Totally Enclosed, Fan-Cooled (T.E.F.C.) Motor (56Z frame)
	100034	1	3/4 HP 230v 1 $\phi$ 50 Hz Totally Enclosed, Fan-Cooled (T.E.F.C.) Motor (56Z frame)
	100007*	1	1/2 HP 208/230/380/460v 3 $\phi$ 50/60 Hz Totally Enclosed, Fan-Cooled (T.E.F.C.) Motor (56Z frame)
9	152004	4	5/16-18 Hex Nut
10	153002	4	5/16" Lock Washer
11	153001	4	5/16" Flat Washer
12	117600	4	Noise Suppressor Tape (sold by the foot)
13	154000	4	5/16-18 Tinnerman Nut
14	800905	1	AD-50 Non-Reversing Motor Mount ONLY
	803972*	1	3/4 HP 120-230v 1 $\phi$ 60 Hz Totally Enclosed, Fan-Cooled (T.E.F.C.) Non-Reversing Motor Mount Assembly Complete (includes illus. nos. 3 through 8 and 12 through 19)
	803973*	1	3/4 HP 230v 1 $\phi$ 50 Hz Totally Enclosed, Fan-Cooled (T.E.F.C.) Non-Reversing Motor Mount Assembly Complete (includes illus. nos. 3 through 8 and 1 through 19)
	803970*	1	1/2 HP 208/230/380/460v 3 $\phi$ 60 Hz Totally Enclosed, Fan-Cooled (T.E.F.C.) Non-Reversing Motor Mount Assembly Complete (includes illus. nos. 3 through 8 and 12 through 19)
	803971*	1	1/2 HP 208/230/380/460v 3 $\phi$ 50 Hz Totally Enclosed, Fan-Cooled (T.E.F.C.) Non-Reversing Motor Mount Assembly Complete (includes illus. nos. 3 through 8 and 12 through 19)
15	153050	2	1/2" S.A.E. Flat Washer
16	100604	1	12-1/2" Impellor (fan/blower) with 1/2" Bore
17	100702	1	1/8" x 1/8" x 1-1/2" Key
18	153050	2	1/2" S.A.E. Flat Washer
19	152006	2	1/2-20 Left Hand Jam Nut

\* Specify voltage when ordering.

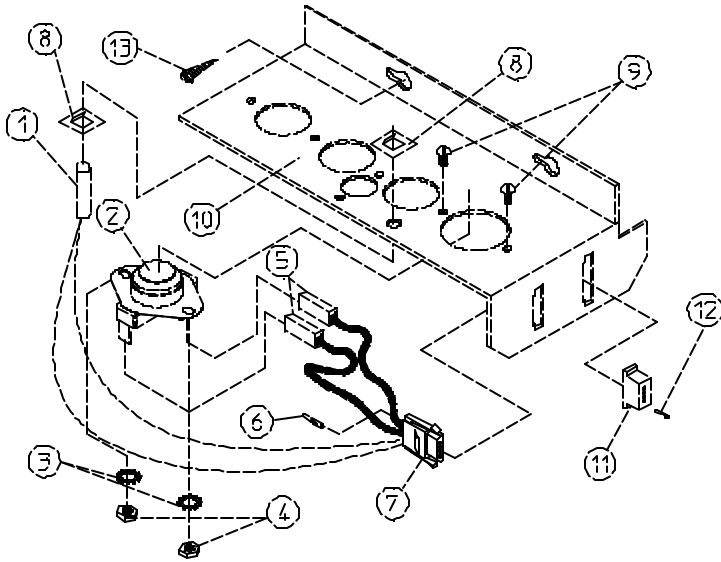
For Models Mfd. with Tapered Ribs ONLY



**For Models Mfd. with Tapered Ribs ONLY**

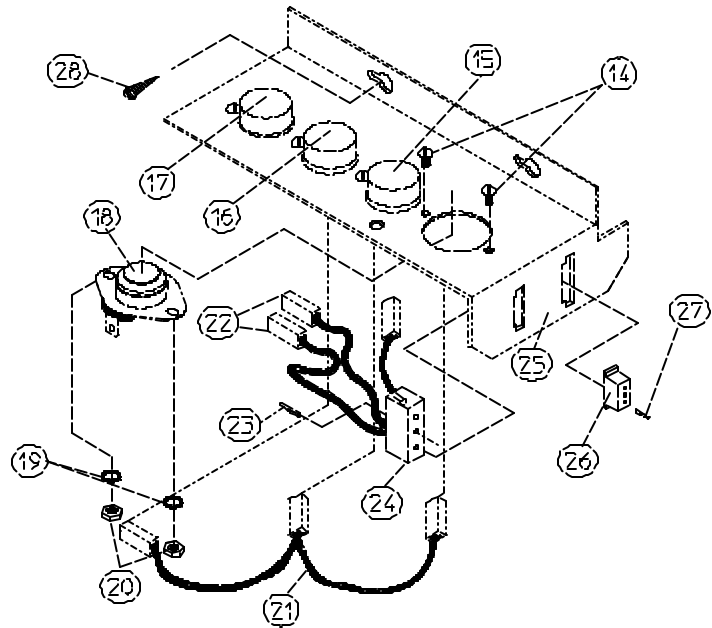
<u>Illus. No.</u>	<u>Part No.</u>	<u>Qty.</u>	<u>Description</u>
1	100112	1	4L-610 V-Belt (motor to idler)
2	100701	1	3/16" x 3/16" x 1" Key
3	101130	1	5/8" x 2-1/2" Motor Pulley (for use on 30 Hz models Only)
	101139	1	5/8" x 2-3/4" Motor Pulley (for use on 50 Hz models Only)
4	120200	1	3/8" x 90° Connector
5	181003*	1	1/2 HP 208/230/380/460v 3ø 50/60 Hz Totally Enclosed, Fan-Cooled (T.E.F.C.) Motor (56Z frame) Non-Plug Type Motor
6	150501	4	5/16-18 x 3/4" Hex Head Machine Bolt
7	153002	4	5/16" Lock Washer
8	153001	4	5/16" Flat Washer
9	100065	1	1/2 HP 100-230v 1ø 50/60 Hz Totally Enclosed, Fan-Cooled (T.E.F.C.) Motor - Plug Type Motor
10	122701	8	Socket Terminal ONLY
	122801	1	Pin/Socket Extraction Tool
11	137030	1	8-Pin Housing Connector
12	150501	4	5/16-18 x 3/4" Hex Head Machine Bolt
13	153002	4	5/16" Lock Washer
14	153001	4	5/16" Flat Washer
15	154000	8	5/16-18 Tinnerman Nut
16	152004	4	5/16-18 Hex Nut
17	153002	4	5/16" Lock Washer
18	153001	4	5/16" Flat Washer
19	800912	1	AD-50 Reversing Motor Mount ONLY
	803974*	1	AD-50 1ø 50/60 Hz Reversing Totally Enclosed, Fan-Cooled (T.E.F.C.) Motor Mount Assembly Complete - Plug Type Motor (includes illus. nos. 2 through 9, 12 through 15, and 19 through 25)
	803977	1	AD-50 3ø 50/60 Hz Reversing Totally Enclosed, Fan-Cooled (T.E.F.C.) Motor Mount Assembly Complete - Non-Plug Type Motor (includes illus. nos. 2 through 8, 12 through 15, and 19 through 27)
20	117600	4	Noise Suppressor Tape (sold by the foot)
21	153050	2	1/2" S.A.E. Flat Washer
22	100702	1	1/8" x 1/8" x 1-1/2" Key
23	100604	1	12-1/2" Impellor (fan/blower) with 1/2" Bore
24	153050	2	1/2" S.A.E. Flat Washer
25	152006	2	1/2-20 Left Hand Jam Nut
26	100035	1	1/2 HP 230v 3ø 50 Hz Totally Enclosed, Fan-Cooled (T.E.F.C.) Motor (56Z frame) Non-Plug Type Motor
27	120200	1	3/8" x 90° Connector

\* Specify voltage when ordering.



MAN0238

## Non-Computer Sensor Bracket Assembly



<u>Illus. No.</u>	<u>Part No.</u>	<u>Qty.</u>	<u>Description</u>
1	880251	1	1/4" Temperature Sensor Probe Assembly (includes illus. nos. 1 and 5 through 8)
2	130301	1	225° Large Manual Reset Thermostat
3	153010	2	#6 Star Washer
4	152000	2	#6-32 Hex Nut
5	121028	2	Insulated Terminal ONLY
6	122701	4	Socket Terminal ONLY
7	122605	1	4-Pin Socket Connector ONLY
8	154007	2	1/4" Tinnerman Push On Fastener
9	150000	2	#6-32 x 1/4" Slotted Round Head Machine Screw
10	801425	1	Microprocessor Sensor Bracket Assembly Complete (includes illus. nos. 1 through 10)
	305007	1	Universal Sensor Bracket ONLY
11	122604	1	4-Pin Connector ONLY
12	122700	4	Pin Terminal ONLY
13	150301	2	#8-18 x 7/16" Phillips Pan Head TEK Screw

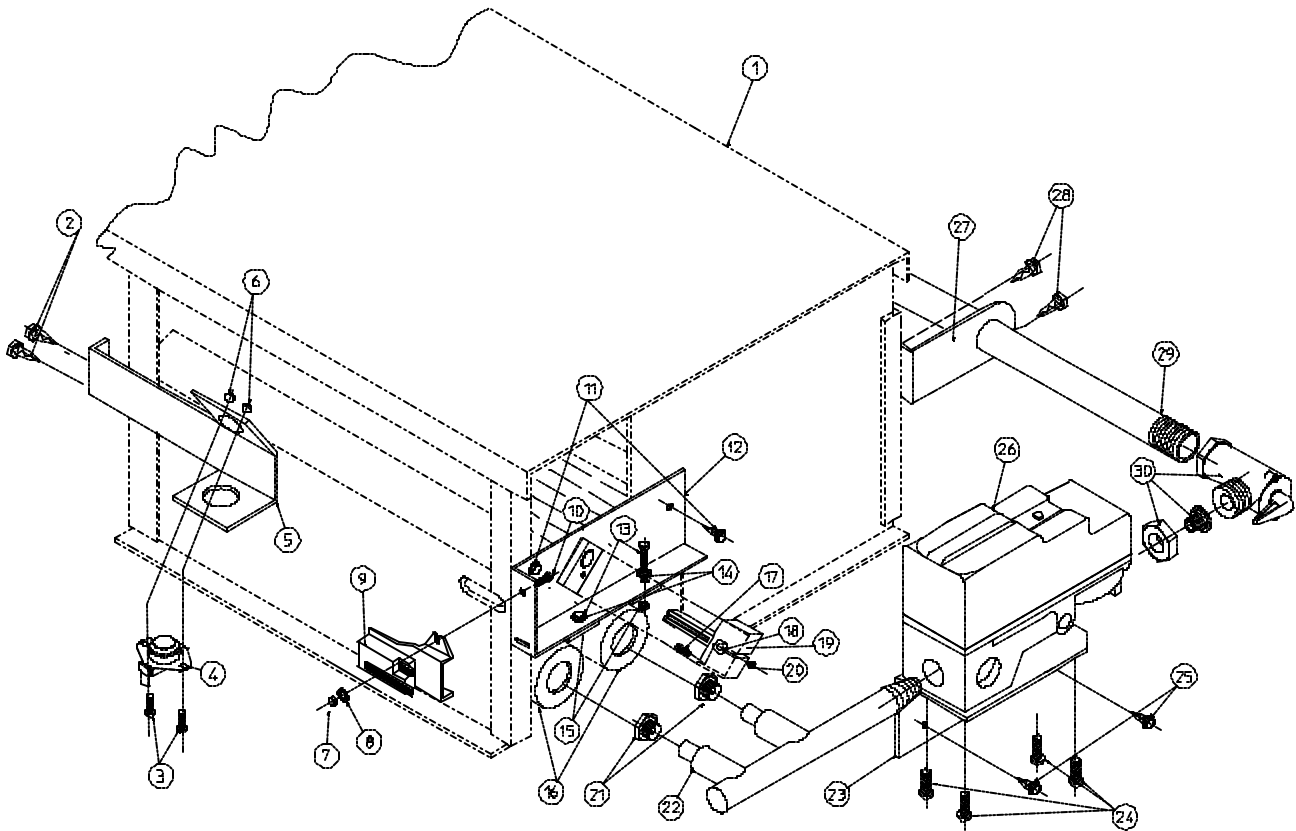
<u>Illus. No.</u>	<u>Part No.</u>	<u>Qty.</u>	<u>Description</u>
14	150005	*	#6-32 x 1/4" Phillips Round Head Machine Screw
15	130100	1	150° Large Thermostat
	130109	1	140° Large Thermostat (for UniDryer® models Only)
16	130301	1	225° Large Manual Reset Thermostat
	130107	1	160° Large Thermostat (for UniDryer® models Only)
17	130301	1	225° Large Manual Reset Thermostat (for UniDryer® models Only)
18	130101	1	180° Large Thermostat
19	153010	*	#6 Star Washer
20	152000	*	#6-32 Hex Nut
21	840063	1	Sensor Jumper Three (3) ONLY
	840065	1	Sensor Jumper Four (4) ONLY (for UniDryer® models Only)
22	121028	**	Insulated Terminal ONLY
23	122701	***	Socket Terminal ONLY
24	122609	1	3-Pin Socket Connector ONLY
	122605	1	4-Pin Socket Connector ONLY (for UniDryer® models Only)
	831702	1	Sensor Three (3) Bracket Harness Assembly (includes illus. nos. 22 through 24)
	840062	1	Sensor Four (4) Bracket Harness Assembly (includes illus. nos. 22 through 24) For UniDryer® Models ONLY
25	801405	1	Non-Computer Sensor Three (3) Bracket Assembly Complete with Thermostats (includes illus. nos. 14 through 25) For Models Mfd. as of August 1, 1993
	801411	1	Non-Computer Sensor Four (4) Bracket Assembly Complete with Thermostats (includes illus. nos. 14 through 25) For UniDryer® Models ONLY
	305007	1	Universal Sensor Bracket ONLY
26	122608	1	3-Pin Connector ONLY
	122604	1	4-Pin Connector ONLY (for UniDryer® models Only)
27	122700	***	Pin Terminal ONLY
	122801	1	Pin/Socket Extraction Tool
28	150301	2	#8-18 x 7/16" Phillips Pan Head TEK Screw

\* Quantity is 4 or 5.

\*\* Quantity is 6 or 8.

\*\*\* Quantity is 3 or 4.

For Models Mfd. with Globar® Ignition ONLY



MANE676

**For Models Mfd. with Global® Ignition ONLY**

<u>Illus. No.</u>	<u>Part No.</u>	<u>Qty.</u>	<u>Description</u>
1*	-----**	1	ADG-30 Standard Non-Hi/Lo Burner Assembly Complete Less Orifices (includes illus. nos. 1 through 20 and 22 through 30) <b>Refer to Global® Burner Assembly Listing on page 100</b>
	804004	1	Non-Heat Reclaimer Burner Box ONLY
2	150309	2	#10-16 x 1/2" Hex Head TEK Crimptite Screw
3	150001	2	#6-32 x 1/2" Phillips Round Head Machine Screw
4	130401	1	330° Hi-Limit
5	319704	1	Hi-Limit Mounting Bracket ONLY
6	151000	2	#6-32 Pal Nut
7	152001	2	#8-32 Hex Nut
8	153012	1	#8 Star Washer
9	130500	1	Infrared (IR) Sensor ONLY
10	150108	2	#8-32 x 1/2" Phillips Pan Head Screw
11	150309	2	#10-16 x 1/2" Hex Head TEK Crimptite Screw
12	802705	1	Infrared (IR)/Global® Mounting Bracket ONLY
13	150108	2	#8-32 x 1/2" Phillips Pan Head Screw
14	153000	2	#8 Steel Burr
15	151001	2	#8-32 Pal Nut
16	141105	2	Large Burner Tube
17	150002	1	#6-32 x 1" Phillips Round Head Machine Screw
18	153017	1	#6 Steel Burr
19	128910	1	Global® ONLY
20	151000	2	#6-32 Pal Nut
21*	-----	2	Burner Orifice (refer to <b>Global® Burner Orifice Listing on page 100</b> )
22	141206	1	3/8" Swage Manifold ONLY
23	319501	1	3/8" Gas Valve Mounting Bracket ONLY
24	150301	3	#8-18 x 7/16" Phillips Pan Head TEK Screw
25	150309	2	#10-16 x 1/2" Hex Head TEK Crimptite Screw
26	140004	1	3/8" Global® (natural gas) Gas Valve
	140402	1	3/8" Valve Liquid Propane (L.P.) Conversion Kit
27	318700	2	Pipe Bracket (bent)
28	150309	4	#10-16 x 1/2" Hex Head TEK Crimptite Screw
29	142809	1	1/2" x 29-1/8" Pipe
30	881367	1	1/2" Union Shutoff with Tail Piece
---	-----*	1	Conversion Kit (refer to <b>Global® Liquid Propane [L.P.] Conversion Kit Listing on page 100</b> )
---	410000	1	3/8" Allen Wrench

\* Consult factory for elevations over 2,000 feet.

\*\* Burner orifices *are not included* and **must be** ordered separately.





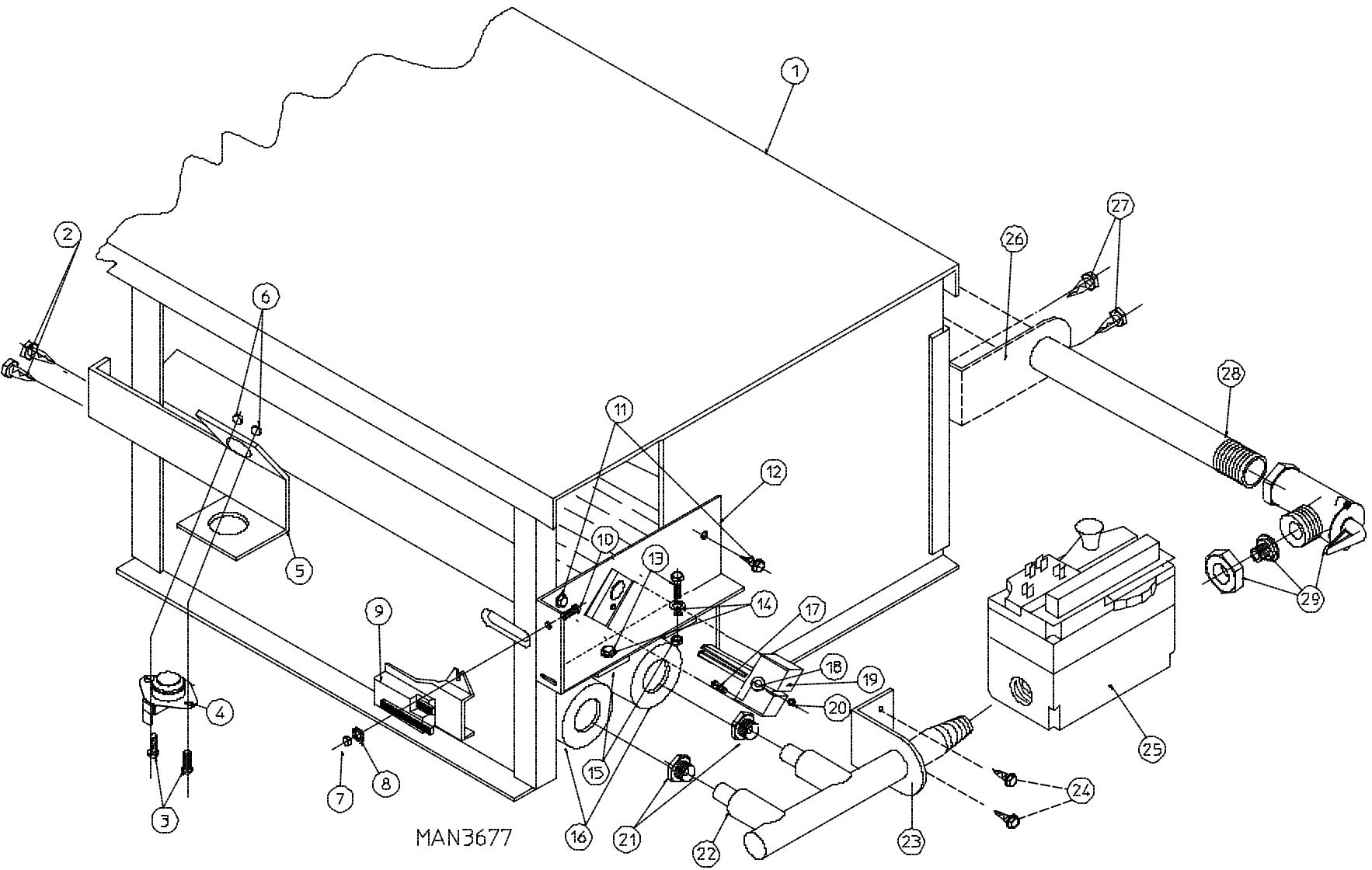
**For Models Mfd. with Global® Ignition ONLY**

<u>Illus. No.</u>	<u>Part No.</u>	<u>Qty.</u>	<u>Description</u>
1*	-----**	1	ADG-50 Standard Non-Hi/Lo Burner Assembly Complete Less Orifices (includes illus. nos. 1 through 20 and 22 through 29) Refer to <b>Global® Burner Assembly Listing</b> on <b>page 100</b>
	804004	1	Non-Heat Reclaimer Burner Box ONLY
2	150309	2	#10-16 x 1/2" Hex Head TEK Crimptite Screw
3	150001	2	#6-32 x 1/2" Phillips Round Head Machine Screw
4	130401	1	330° Hi-Limit
5	319704	1	Hi-Limit Mounting Bracket ONLY
6	151000	2	#6-32 Pal Nut
7	152001	2	#8-32 Hex Nut
8	153012	1	#8 Star Washer
9	130500	1	Infrared (IR) Sensor ONLY
10	150108	2	#8-32 x 1/2" Phillips Pan Head Screw
11	150309	2	#10-16 x 1/2" Hex Head TEK Crimptite Screw
12	802705	1	Infrared (IR)/Global® Mounting Bracket ONLY
13	150108	2	#8-32 x 1/2" Phillips Pan Head Screw
14	153000	2	#8 Steel Burr
15	151001	2	#8-32 Pal Nut
16	141105	2	Large Burner Tube
17	150002	1	#6-32 x 1" Phillips Round Head Machine Screw
18	153017	1	#6 Steel Burr
19	128910	1	Global® ONLY
20	151000	2	#6-32 Pal Nut
21*	-----	2	Burner Orifice (refer to <b>Global® Burner Orifice Listing</b> on <b>page 100</b> )
22	141205	1	1/2" Manifold ONLY (2-port)
23	318700	1	Pipe Bracket (bent)
24	150309	2	#10-16 x 1/2" Hex Head TEK Crimptite Screw
25	140005	1	1/2" Global® (natural gas) Gas Valve
	140411	1	1/2" Valve Liquid Propane (L.P.) Conversion Kit
26	318700	2	Pipe Bracket (bent)
27	150309	4	#10-16 x 1/2" Hex Head TEK Crimptite Screw
28	142809	1	1/2" x 29-1/8" Pipe
29	881367	1	1/2" Union Shutoff with Tail Piece
---	-----*	1	Conversion Kit (refer to <b>Global® Liquid Propane [L.P.] Conversion Kit Listing</b> on <b>page 100</b> )
---	410001	1	1/2" Allen Wrench

\* Consult factory for elevations over 2,000 feet.

\*\* Burner orifices *are not included* and **must be** ordered separately.

For Models Mfd. with Globar® Ignition ONLY



**For Models Mfd. with Global® Ignition ONLY**

<u>Illus. No.</u>	<u>Part No.</u>	<u>Qty.</u>	<u>Description</u>
1*	-----**	1	ADG-50 Standard Non-Hi/Lo Burner Assembly Complete Less Orifices (includes illus. nos. 1 through 20 and 22 through 29) Refer to <b>Global® Burner Orifice Listing</b> on <b>page 100</b>
	804004	1	Non-Heat Reclaimer Burner Box ONLY
2	150309	2	#10-16 x 1/2" Hex Head TEK Crimptite Screw
3	150001	2	#6-32 x 1/2" Phillips Round Head Machine Screw
4	130401	1	330° Hi-Limit
5	319704	1	Hi-Limit Mounting Bracket ONLY
6	151000	2	#6-32 Pal Nut
7	152001	2	#8-32 Hex Nut
8	153012	1	#8 Star Washer
9	130500	1	Infrared (IR) Sensor ONLY
10	150108	2	#8-32 x 1/2" Phillips Pan Head Screw
11	150309	2	#10-16 x 1/2" Hex Head TEK Crimptite Screw
12	802705	1	Infrared (IR)/Global® Mounting Bracket ONLY
13	150108	2	#8-32 x 1/2" Phillips Pan Head Screw
14	153000	2	#8 Steel Burr
15	151001	2	#8-32 Pal Nut
16	141105	2	Large Burner Tube
17	150002	1	#6-32 x 1" Phillips Round Head Machine Screw
18	153017	1	#6 Steel Burr
19	128910	1	Global® ONLY
20	151000	2	#6-32 Pal Nut
21*	-----	2	Burner Orifice (refer to <b>Global® Burner Assembly Listing</b> on <b>page 100</b> )
22	141205	1	1/2" Manifold ONLY (2-port)
23	318700	1	Pipe Bracket (bent)
24	150309	2	#10-16 x 1/2" Hex Head TEK Crimptite Screw
25	140010	1	1/2" Hi/Lo Global® (natural gas) Gas Valve
	140011	1	1/2" Hi/Lo Global® Liquid Propane (L.P.) Gas Valve
26	318700	2	Pipe Bracket (bent)
27	150309	4	#10-16 x 1/2" Hex Head TEK Crimptite Screw
28	142809	1	1/2" x 29-1/8" Pipe
29	881367	1	1/2" Union Shutoff with Tail Piece
---	-----*	1	Liquid Propane (L.P.) Conversion Kit (refer to <b>Global® Liquid Propane [L.P.] Conversion Kit Listing</b> on <b>page 100</b> )
---	410001	1	1/2" Allen Wrench

\* Consult factory for elevations over 2,000 feet.

\*\* Burner orifices *are not included* and **must be** ordered separately.



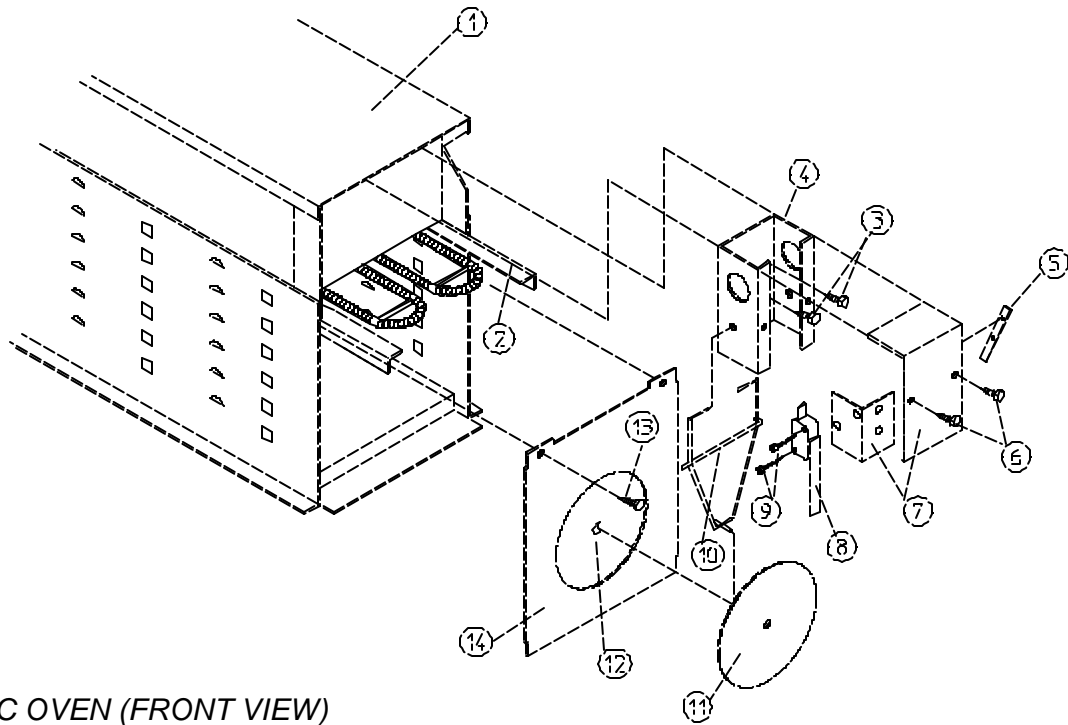
**For Models Mfd. with Direct Spark Ignition (DSI) ONLY**

<u>Illus. No.</u>	<u>Part No.</u>	<u>Qty.</u>	<u>Description</u>
1	318030	1	Direct Spark Ignition (DSI) Burner Shield (2-tube)
2	150300	2	#10-16 x 1/2" Hex Washer TEK Screw
3	150309	2	#10-16 x 1/2" Hex Head TEK Crimptite Screw
4	128915	1	Direct Spark Ignition (DSI) Ignitor/Flame-Probe Assembly
	880134	1	Ignitor/Flame-Probe Kit Assembly (includes high voltage [HV] wire and connector assembly)
5	880330	1	High Voltage (HV) Wire and Connector Assembly
6	150103	2	#8-32 x 1/2" Pan Head Machine Screw
7	153000	2	#8 Steel Burr
8	151001	2	#8-32 Pal Nut
9	141105	2	Large Tube Burner ONLY
10*	-----	2	Burner Orifice (refer to <b>Direct Spark Ignition [DSI] Burner Orifice Listing</b> on <b>page 101</b> )
11	141230	1	1/2" Direct Spark Ignition (DSI) Manifold (2-port)
12	318700	1	Pipe Bracket (bent)
13	150300	2	#10-16 x 1/2" Hex Washer TEK Screw
14	128927	1	1/2" Direct Spark Ignition (DSI) 24 VAC Redundant (natural gas) Gas Valve
	140411	1	1/2" Valve Liquid Propane (L.P.) Conversion Kit
	880960	1	1/2" Direct Spark Ignition (DSI) Gas Valve/Liquid Propane (L.P.) Conversion Kit Combination
15	881367	1	1/2" Union Shutoff with Tail Piece
16	142809	1	1/2" x 29-1/8" Pipe
17	150309	4	#10-16 x 1/2" Hex Head TEK Crimptite Screw
18	318700	2	Pipe Bracket (bent)
19*	-----**	1	Direct Spark Ignition (DSI) Burner Assembly Complete Less Orifices (includes illus. nos. 1 through 9 and 11 through 23) Refer to <b>Direct Spark Ignition (DSI) Burner Assembly Listing</b> on <b>page 101</b>
	850851	1	Non-Heat Reclaimer Burner Box ONLY
	850861	1	Heat Reclaimer Burner Box ONLY
20	880815	1	<b>ADC</b> Direct Spark Ignition (DSI) Module ONLY (50/60 Hz)
21	150299	4	#10 x 1" Hex Washer TEK Screw
22	319505	1	Direct Spark Ignition (DSI) Module Mounting Bracket ONLY
23	150301	***	#8-18 x 7/16" Phillips Pan Head TEK Screw
---	-----	1	Conversion Kit (refer to <b>Direct Spark Ignition [DSI] Liquid Propane [L.P.] Conversion Kit Listing</b> on <b>page 101</b> )

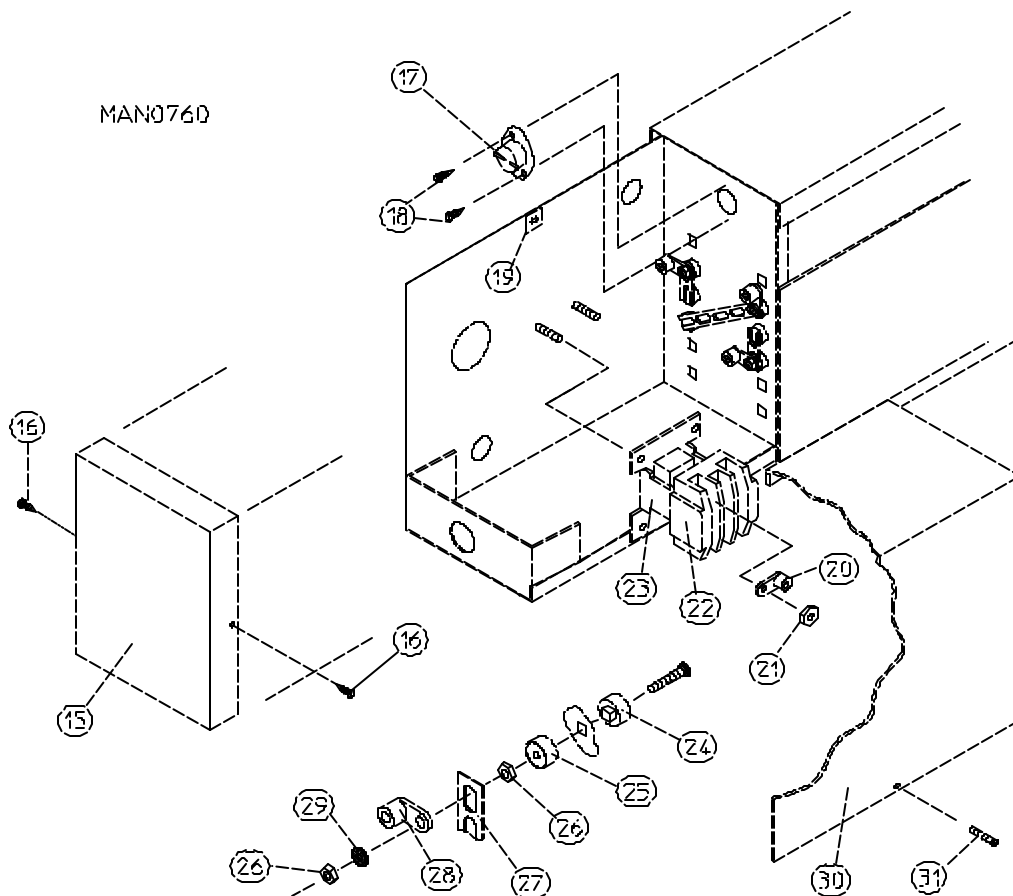
\* Consult factory for elevations over 2,000 feet.

\*\* Burner orifices *are not included* and **must be** ordered separately.

\*\*\* As required.



ELECTRIC OVEN (FRONT VIEW)



MAN0760

ELECTRIC OVEN (REAR VIEW)

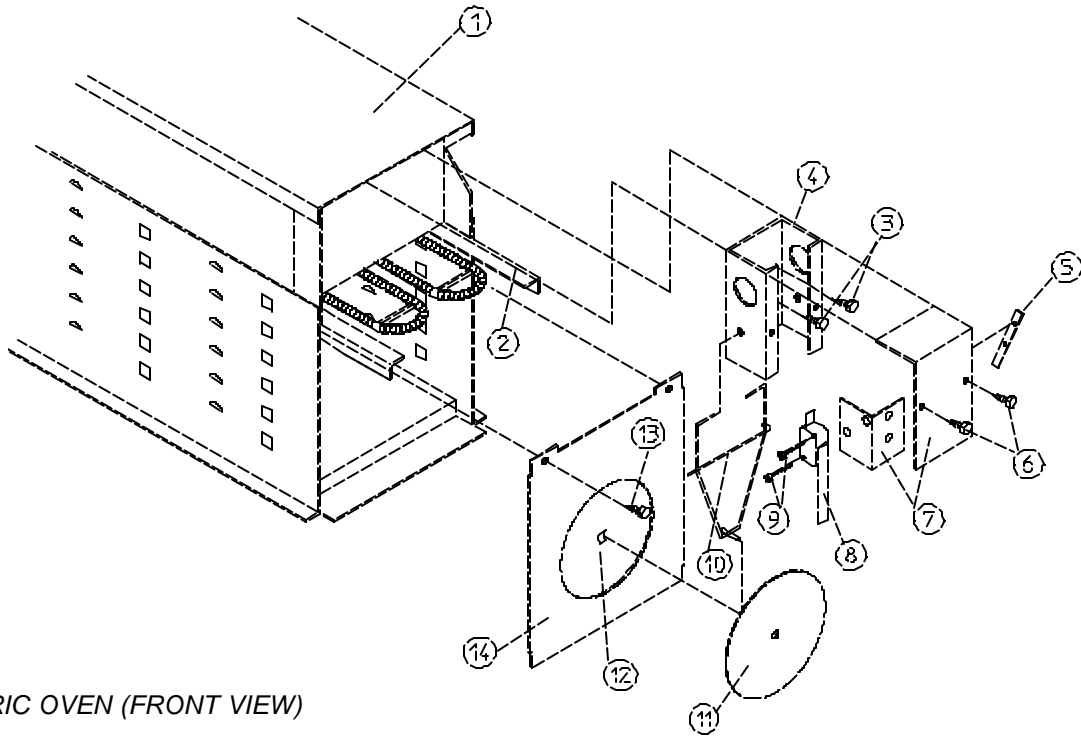
---

**For Models Mfd. as of November 12, 1990**

<u>Illus. No.</u>	<u>Part No.</u>	<u>Qty.</u>	<u>Description</u>
1	803005	1	Large Electric Oven Box ONLY
	-----*	1	Electric Oven Assembly Complete
2	-----*	-	Electric Element
3	150300	2	#10-16 x 1/2" Hex Washer TEK Screw
4	802800	1	Sail Switch Box with Bracket and Cover ONLY
	802801	1	Sail Switch Box Assembly Complete (includes illus. nos. 4 through 12)
5	154004	1	Twin Speed Nut
6	150309	2	#10-16 x 1/2" Hex Head TEK Crimptite Screw
7	802799	1	Sail Switch Box Cover and Bracket ONLY
8	122200	1	Sail Switch ONLY
9	150303	2	#4 x 3/4" Phillips Pan Head "A" Machine Screw
10	105500	1	Sail Switch Actuator Rod
11	319202	1	Sail Switch Damper (flat)
12	154002	1	1/8" Push On Fastener
13	150300	2	#10-16 x 1/2" Hex Washer TEK Screw
14	803100	1	Electric Oven Front Cover ONLY
15	320611	1	Large Relay Box Cover ONLY
16	150207	2	#10-24 x 1/2" Phillips Pan Head Machine Screw
17	130400	1	290° Hi-Limit
18	150300	2	#10-16 x 1/2" Hex Washer TEK Screw
19	154001	2	#10-24 Speed Nut
20	121012	1	L-70 Ground Lug
21	152014	3	1/4-20 Free Spin Wash Nut
22	-----*	1	Oven Relay
23	-----*	1	Oven Relay Replacement Coil
24	120081	-	Internal Ceramic Insulator (2 per element)
25	120080	-	External Ceramic Insulator (2 per element)
26	152008	-	#10-32 Hex Nut (4 per element)
27	121011*	-	Bus Bar (sold by the foot)
28	-----*	-	Terminal Lug
29	153009	-	#10 Star Washer (2 per element)
30	320301	1	Large Electric Oven Right Side Cover ONLY
31	150207	2	#10-24 x 1/2" Phillips Pan Head Machine Screw

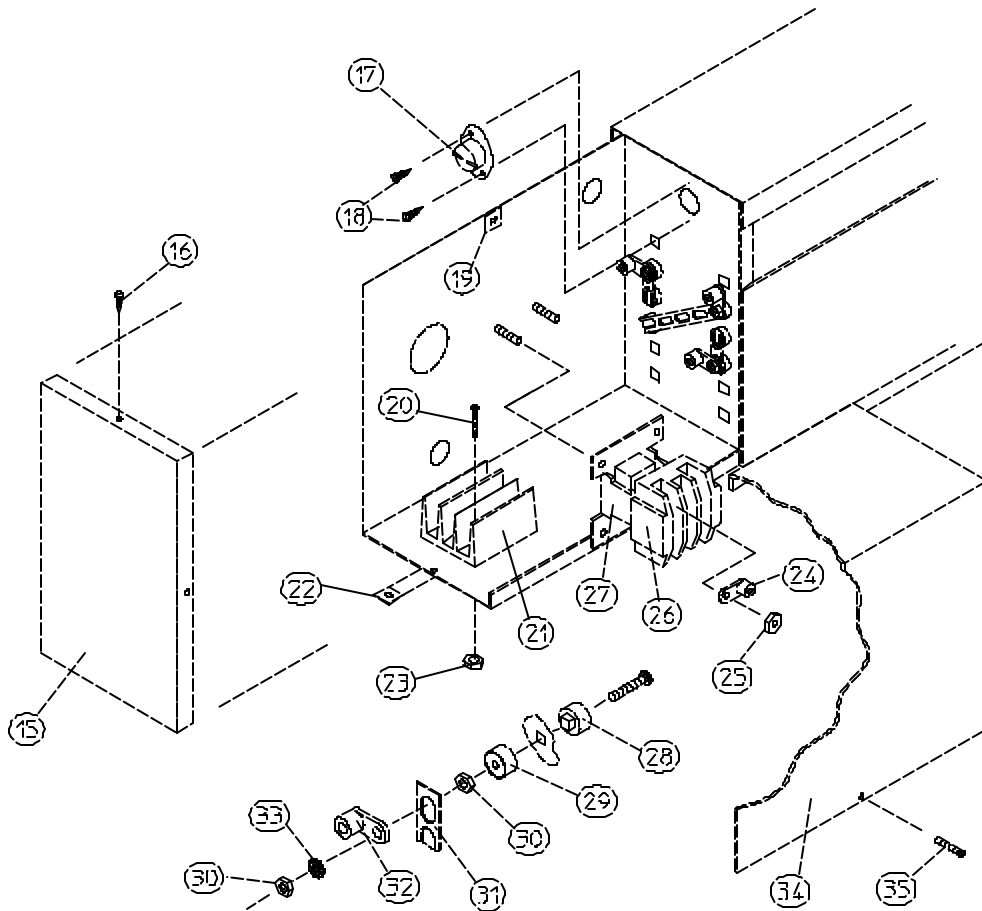
\* Refer to **ADE-30/ADE-50 Electric Oven Component Application Charts** on **page 102**.

For Models Mfd. prior to November 12, 1990



ELECTRIC OVEN (FRONT VIEW)

MAND800



ELECTRIC OVEN (REAR VIEW)

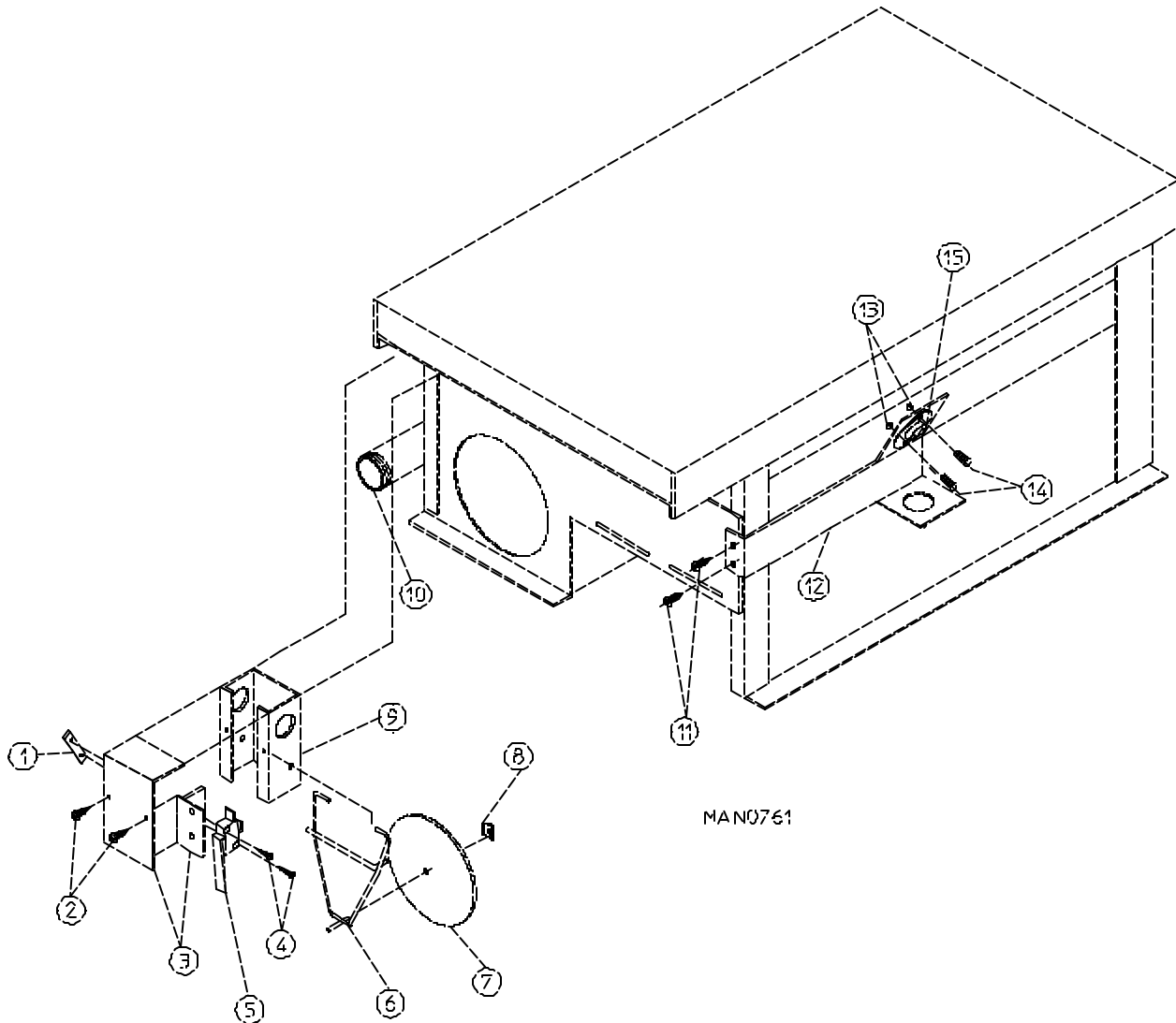


**For Models Mfd. prior to November 12, 1990**

<u>Illus. No.</u>	<u>Part No.</u>	<u>Qty.</u>	<u>Description</u>
1	803001	1	Large Electric Oven Box ONLY
	-----*	1	Electric Oven Assembly Complete
2	-----*	-	Electric Element
3	150300	2	#10-16 x 1/2" Hex Washer TEK Screw
4	802800	1	Sail Switch Box with Bracket and Cover ONLY
	802801	1	Sail Switch Box Assembly Complete (includes illus. nos. 4 through 12)
5	154004	1	Twin Speed Nut
6	150309	2	#10-16 x 1/2" Hex Head TEK Crimptite Screw
7	802799	1	Sail Switch Box Cover and Bracket ONLY
8	122200	1	Sail Switch ONLY
9	150303	2	#4 x 3/4" Phillips Pan Head "A" Machine Screw
10	105500	1	Sail Switch Actuator Rod
11	319202	1	Sail Switch Damper (flat)
12	154002	1	1/8" Push On Fastener
13	150300	2	#10-16 x 1/2" Hex Washer TEK Screw
14	803100	1	Electric Oven Front Cover ONLY
15	320611	1	Large Relay Box Cover ONLY
16	150207	2	#10-24 x 1/2" Phillips Pan Head Machine Screw
17	130400	1	290° Hi-Limit
18	150300	2	#10-16 x 1/2" Hex Washer TEK Screw
19	154001	2	#10-24 Speed Nut
20	150103	2	#8-32 x 3/4" Phillips Round Head Machine Screw
21	120704	-*	Terminal Block
22	154001	2	#10-24 Speed Nut
23	152001	2	#8-32 Hex Nut
24	121012	1	L-70 Ground Lug
25	152014	3	1/4-20 Free Spin Wash Nut
26	-----*	1	Oven Relay
27	-----*	1	Oven Relay Replacement Coil
28	120081	-	Internal Ceramic Insulator (2 per element)
29	120080	-	External Ceramic Insulator (2 per element)
30	152008	-	#10-32 Hex Nut (4 per element)
31	121011*	-	Bus Bar (sold by the foot)
32	-----*	-	Terminal Lug
33	153009	-	#10 Star Washer (2 per element)
34	320301	1	Large Electric Oven Right Side Cover ONLY
35	150207	2	#10-24 x 1/2" Phillips Pan Head Machine Screw

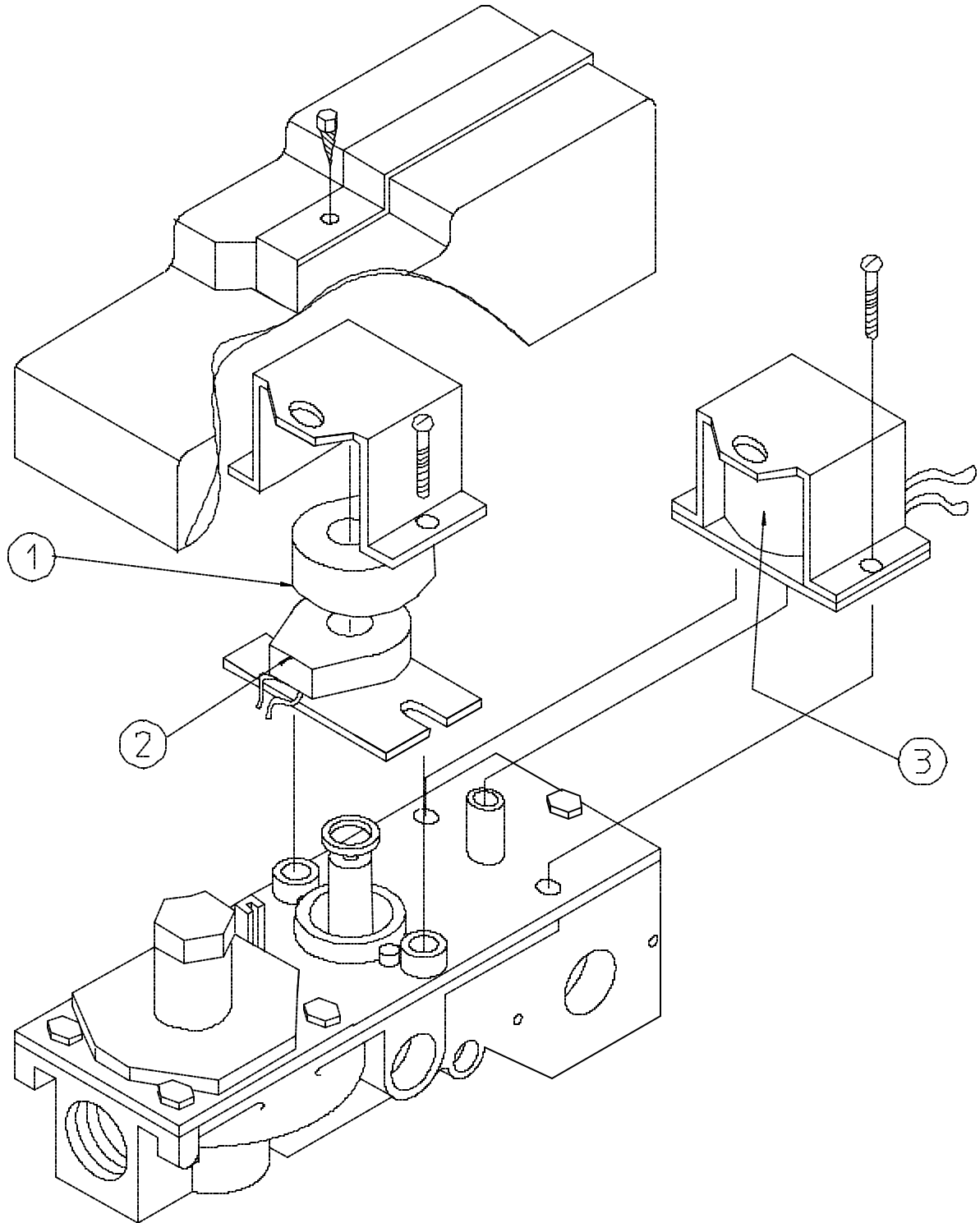
\* Refer to **ADE-30/ADE-50 Electric Oven Component Application Charts** on **page 103**.

For Globar® Models and Direct Spark Ignition (DSI) Models ONLY



Illus. No.	Part No.	Qty.	Description
1	154004	1	Twin Speed Nut
2	150309	2	#10-16 x 1/2" Hex Head TEK Crimptite Screw
3	802799	1	Sail Switch Box Cover and Bracket ONLY
4	150303	2	#4 x 3/4" Phillips Pan Head "A" Machine Screw
5	122200	1	Sail Switch ONLY
6	105500	1	Sail Switch Actuator Rod
7	319202	1	Sail Switch Damper (flat)
8	154002	1	1/8" Push On Fastener
9	802800	1	Sail Switch Box with Cover and Bracket ONLY
	802801	1	Sail Switch Assembly Complete (includes illus. nos. 1 through 8)
10	142809	1	1/2" x 29-1/8" Pipe
11	150309	2	#10-16 x 1/2" Hex Head TEK Crimptite Screw
12	319704	1	Hi-Limit Mounting Bracket ONLY
13	151000	2	#6-32 Pal Nut
14	150001	2	#6-32 x 1/2" Phillips Round Head Machine Screw
15	130401	1	330° Hi-Limit ONLY

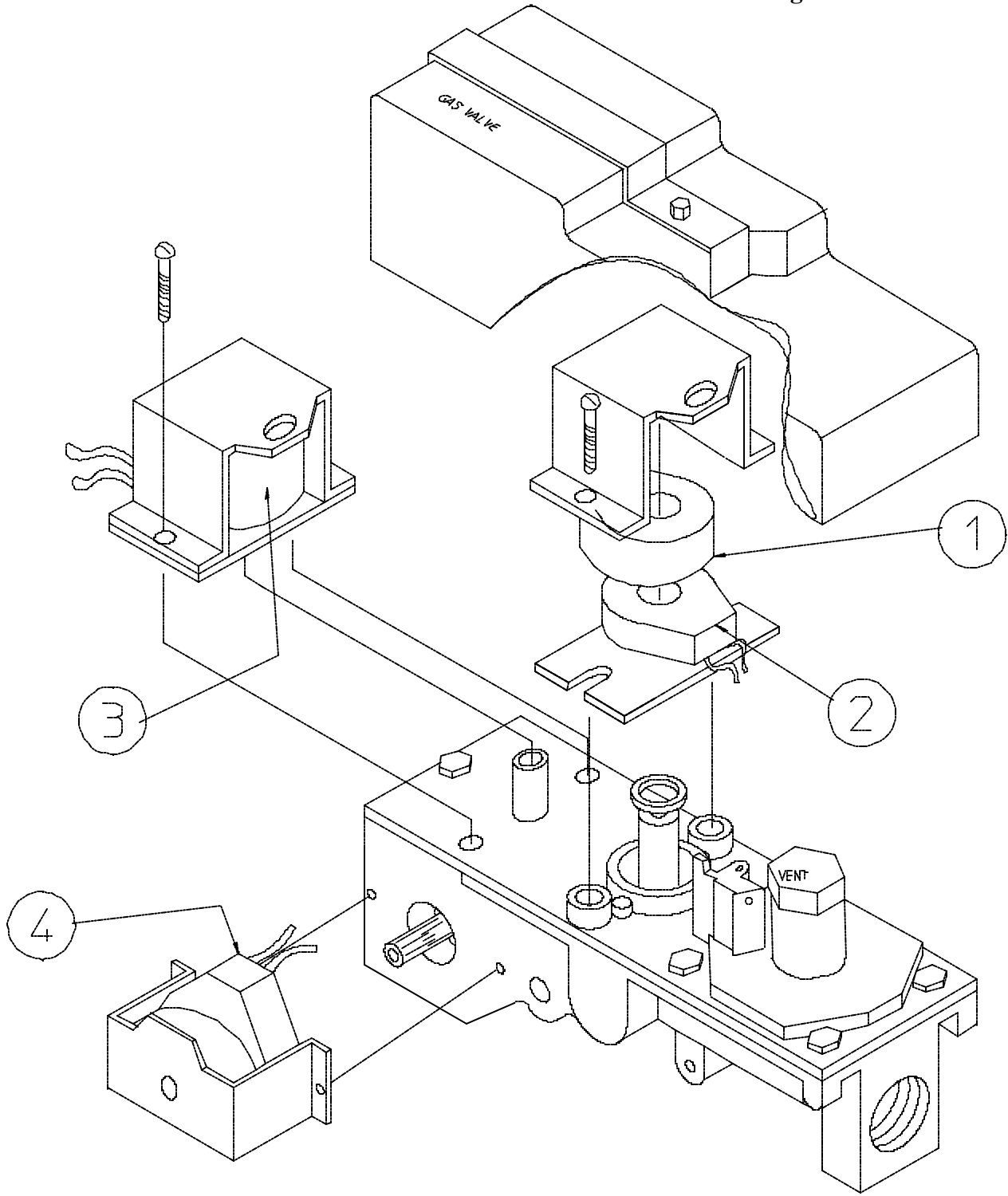
For Global® Ignition Models ONLY



MAN0185

<u>Illus. No.</u>	<u>Part No.</u>	<u>Qty.</u>	<u>Description</u>
1	140111	1	Holding Coil
2	140112	1	Booster Coil
3	140110	1	Secondary Coil

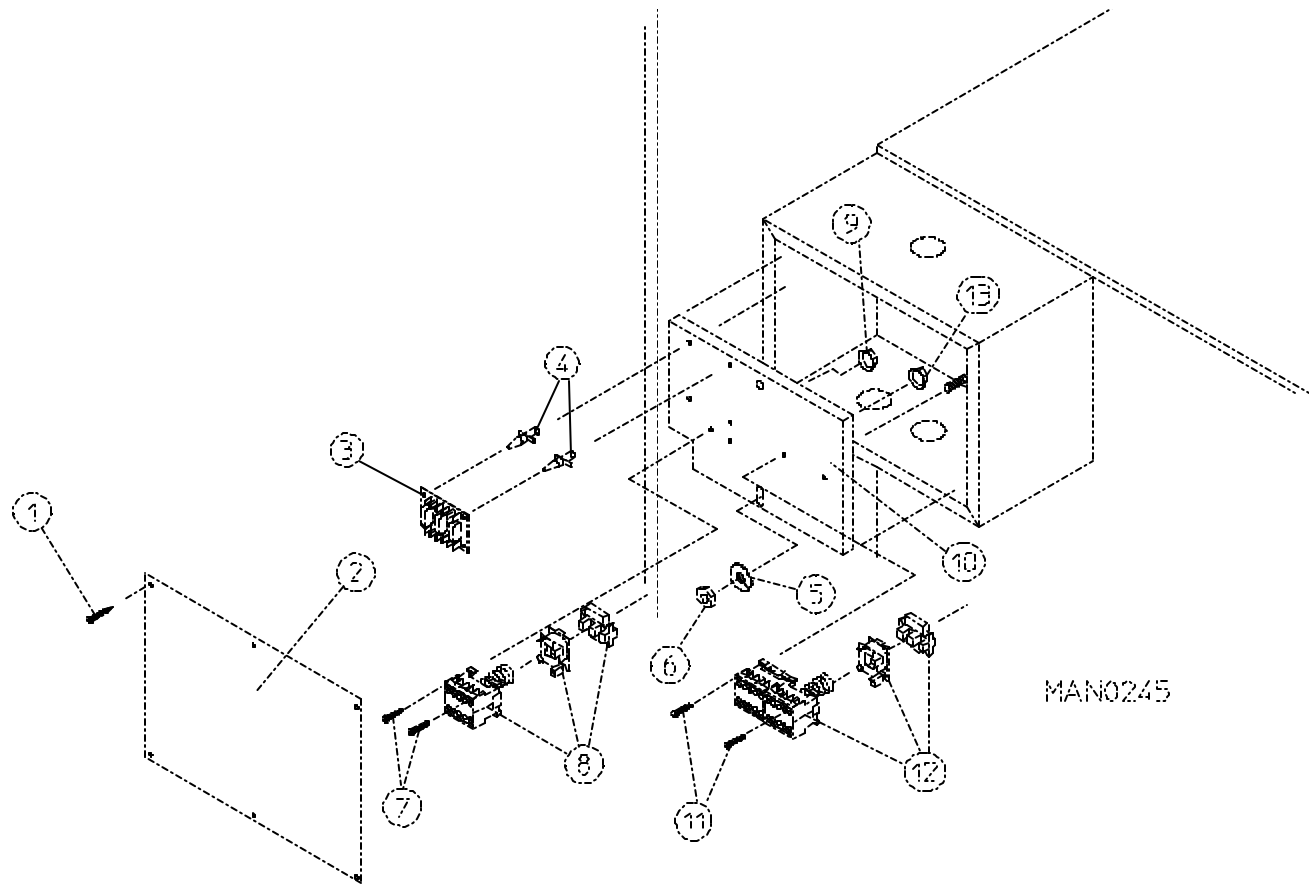
For Globar® Ignition Models ONLY



MAN0096

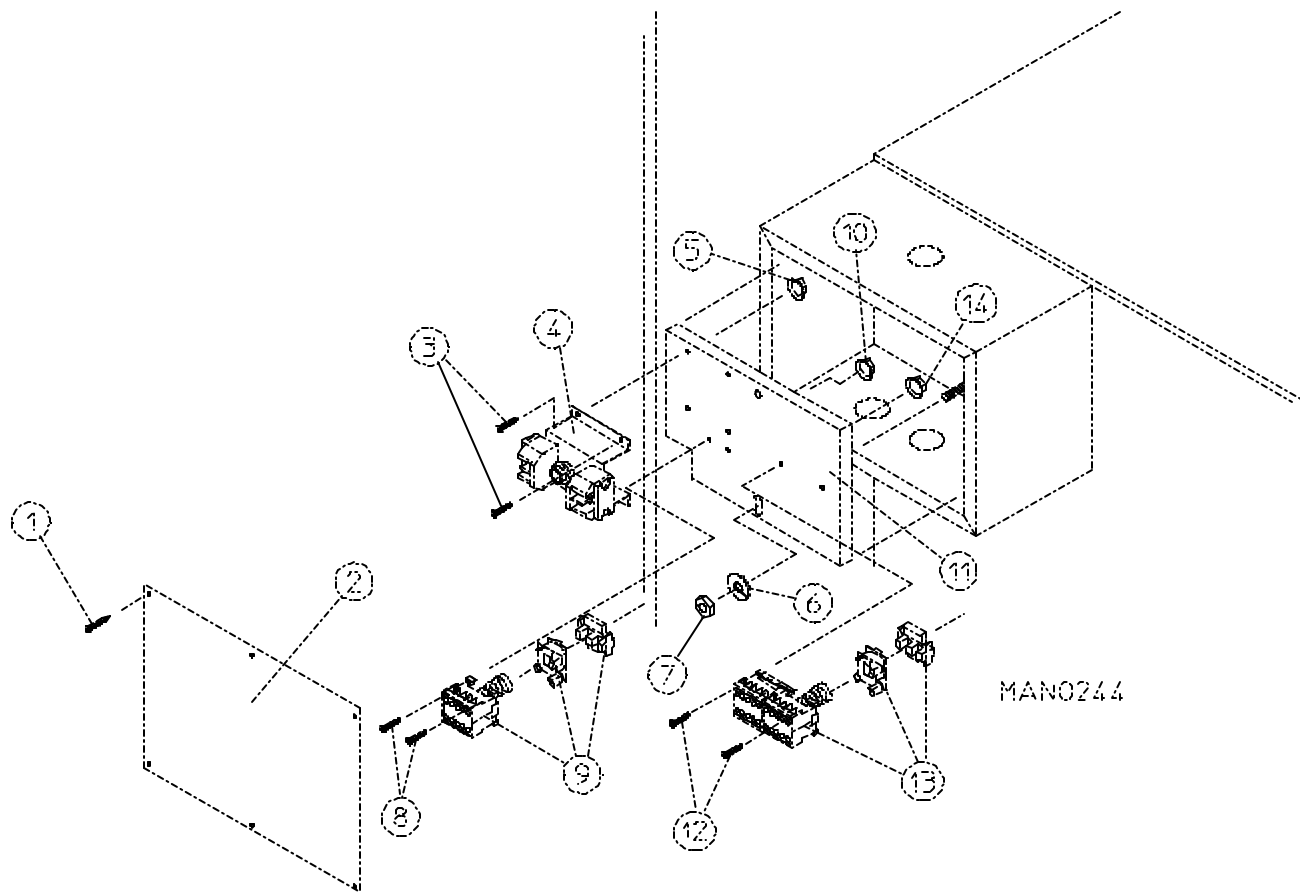
<u>Illus. No.</u>	<u>Part No.</u>	<u>Qty.</u>	<u>Description</u>
1	140116	1	Holding Coil
2	140115	1	Booster Coil
3	140117	1	Secondary Coil
4	140118	1	Hi/Lo Coil

For Models Mfd. with 208 Volt or 230 Volt Controls with Telemecanique Relays



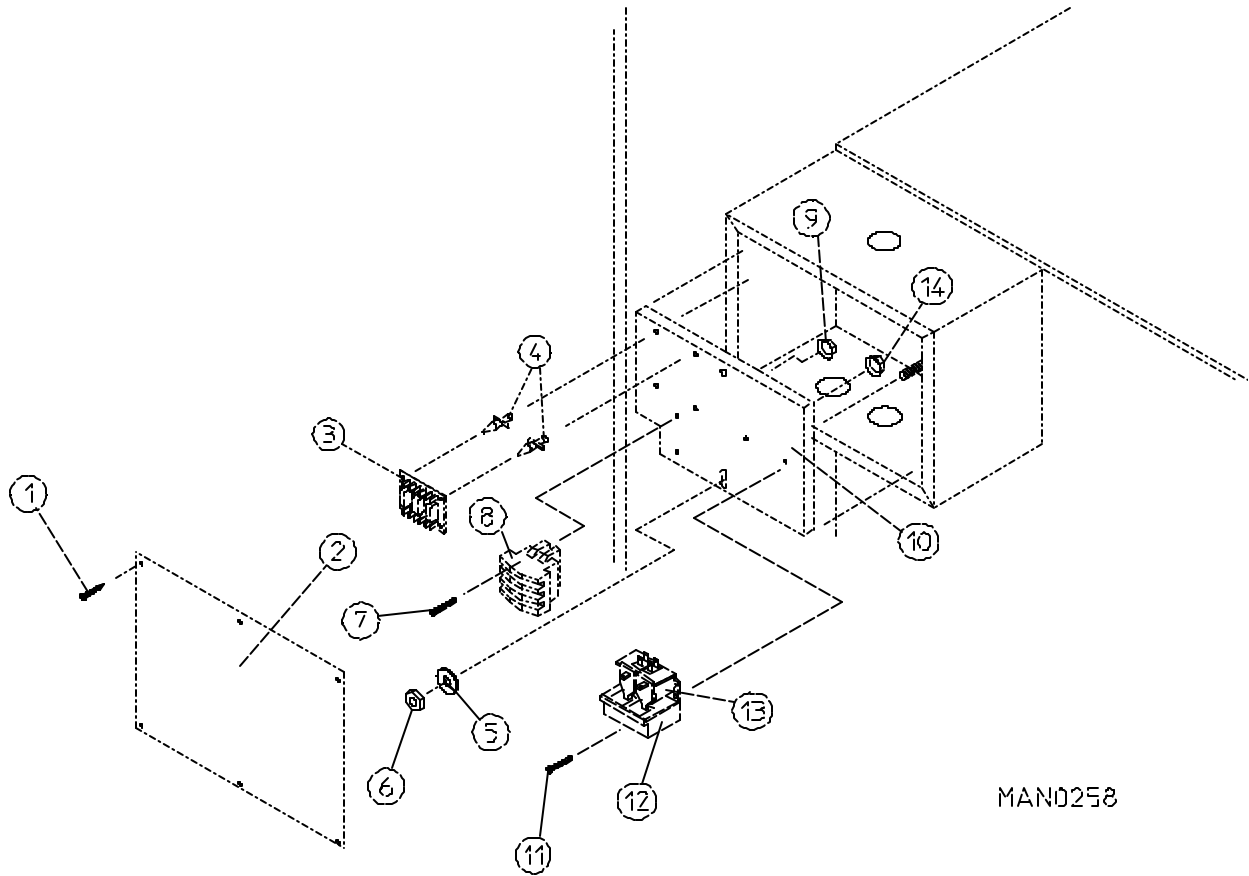
<u>Illus. No.</u>	<u>Part No.</u>	<u>Qty.</u>	<u>Description</u>
1	150301	6	#8-18 x 7/16" Phillips Pan Head TEK Screw
2	322808	1	Control Box Cover Plate ONLY (12" x 8-1/2")
3	137060	1	Arc Suppressor (A.S.) Board Three (3)
4	137013	4	Nylon Standoff
5	153002	2	5/16" Lock Washer
6	152004	2	5/16-18 Hex Nut
7	150108	2	#8-32 x 1/2" Phillips Pan Head Machine Screw
8	132425	1	Impellor (blower/fan) Contactor (for 208/230/240 volt - 50/60 Hz models Only)
	132427	1	Impellor (blower/fan) Contactor Replacement Coil (for 208/230/240 volt - 50/60 Hz models Only)
9	151001	2	#8-32 Pal Nut
10	322807	1	Contactor Mounting Panel ONLY
11	150108	2	#8-32 x 1/2" Phillips Pan Head Machine Screw
12	132426	1	Reversing Contactor (for 208/230/240 volt - 50/60 Hz models Only)
	132427	2	Reversing Contactor Replacement Coil (for 208/230/240 volt - 50/60 Hz models Only)
13	151001	2	#8-32 Pal Nut

For Models Mfd. with 208 Volt or 230 Volt Controls with Telemecanique Relays



<u>Illus. No.</u>	<u>Part No.</u>	<u>Qty.</u>	<u>Description</u>
1	150301	6	#8-18 x 7/16" Phillips Pan Head TEK Screw
2	322808	1	Control Box Cover Plate ONLY (12" x 8-1/2")
3	150108	2	#8-32 x 1/2" Phillips Pan Head Machine Screw
4	132200	1	Reversing Timer (60 Hz)
	132202	1	Reversing Timer (50 Hz)
5	151001	2	#8-32 Pal Nut
6	153002	2	5/16" Lock Washer
7	152004	2	5/16-18 Hex Nut
8	150108	2	#8-32 x 1/2" Phillips Pan Head Machine Screw
9	132425	1	Impellor (blower/fan) Contactor (for 208/230/240 volt - 50/60 Hz models Only)
	132427	1	Impellor (blower/fan) Contactor Replacement Coil (for 208/230/240 volt - 50/60 Hz models Only)
10	151001	2	#8-32 Pal Nut
11	322807	1	Contactor Mounting Panel ONLY
12	150108	2	#8-32 x 1/2" Phillips Pan Head Machine Screw
13	132426	1	Reversing Contactor (for 208/230/240 volt - 50/60 Hz models Only)
	132427	2	Reversing Contactor Replacement Coil (for 208/230/240 volt - 50/60 Hz models Only)
14	151001	2	#8-32 Pal Nut

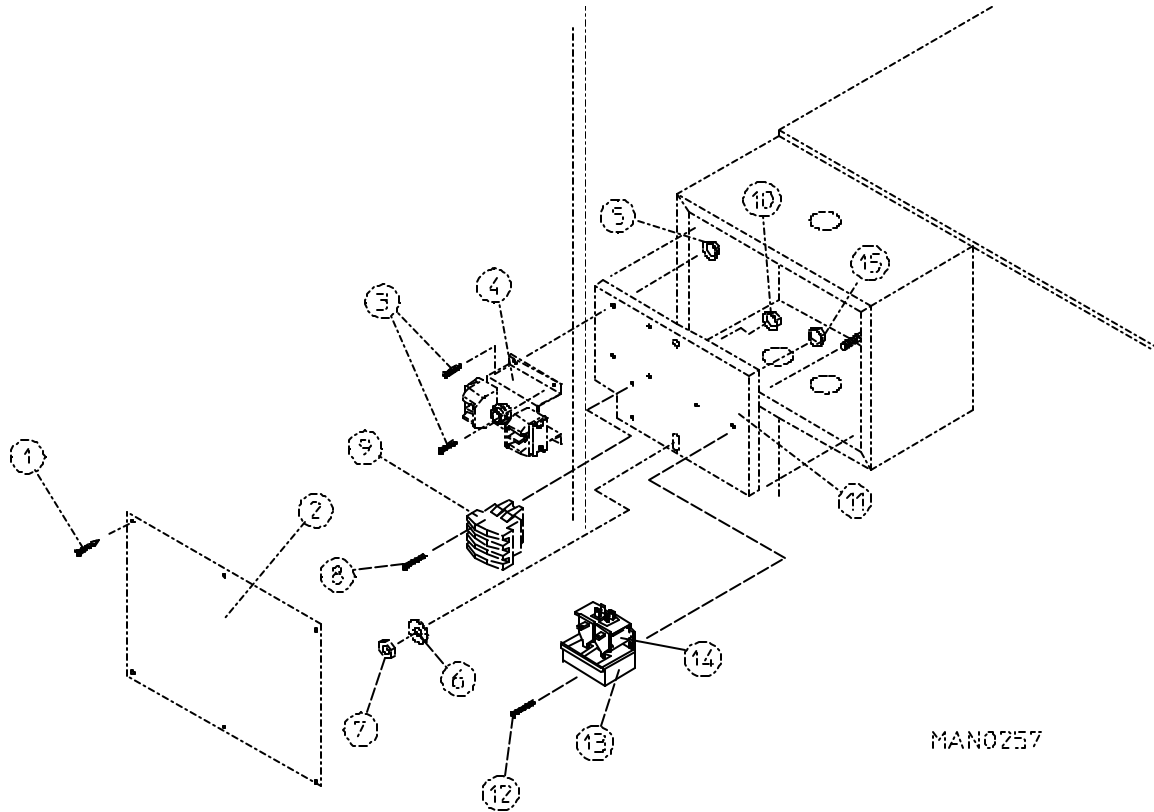
For Models Mfd. with 208 Volt or 230 Volt Controls with Dunco (Struthers-Dunn) Relays



MAN0258

<u>Illus. No.</u>	<u>Part No.</u>	<u>Qty.</u>	<u>Description</u>
1	150301	6	#8-18 x 7/16" Phillips Pan Head TEK Screw
2	322808	1	Control Box Cover Plate ONLY (12" x 8-1/2")
3	137060	1	Arc Suppressor (A.S.) Board Three (3)
4	137013	4	Nylon Standoff
5	153002	2	5/16" Lock Washer
6	152004	2	5/16-18 Hex Nut
7	150108	2	#8-32 x 1/2" Phillips Pan Head Machine Screw
8	132400	1	Impellor (blower/fan) Contactor (for 208 volt models Only)
9	151001	2	#8-32 Pal Nut
10	322807	1	Contactor Mounting Panel ONLY
11	150108	2	#8-32 x 1/2" Phillips Pan Head Machine Screw
12	132404	1	Reversing Contactor (for 208 volt - 60 Hz models Only)
	132401	2	Reversing Contactor (for 220/230 volt - 60 Hz models Only)
13	132416	1	Reversing Contactor Replacement Coil (for 208 volt - 60 Hz models Only)
	132415	2	Reversing Contactor Replacement Coil (for 220/230 volt - 60 Hz models Only)
	132407	2	Reversing Contactor Replacement Coil (for 240 volt - 50 Hz models Only)
14	151001	2	#8-32 Pal Nut

For Models Mfd. with 208 Volt or 230 Volt Controls with Dunco (Struthers-Dunn) Relays

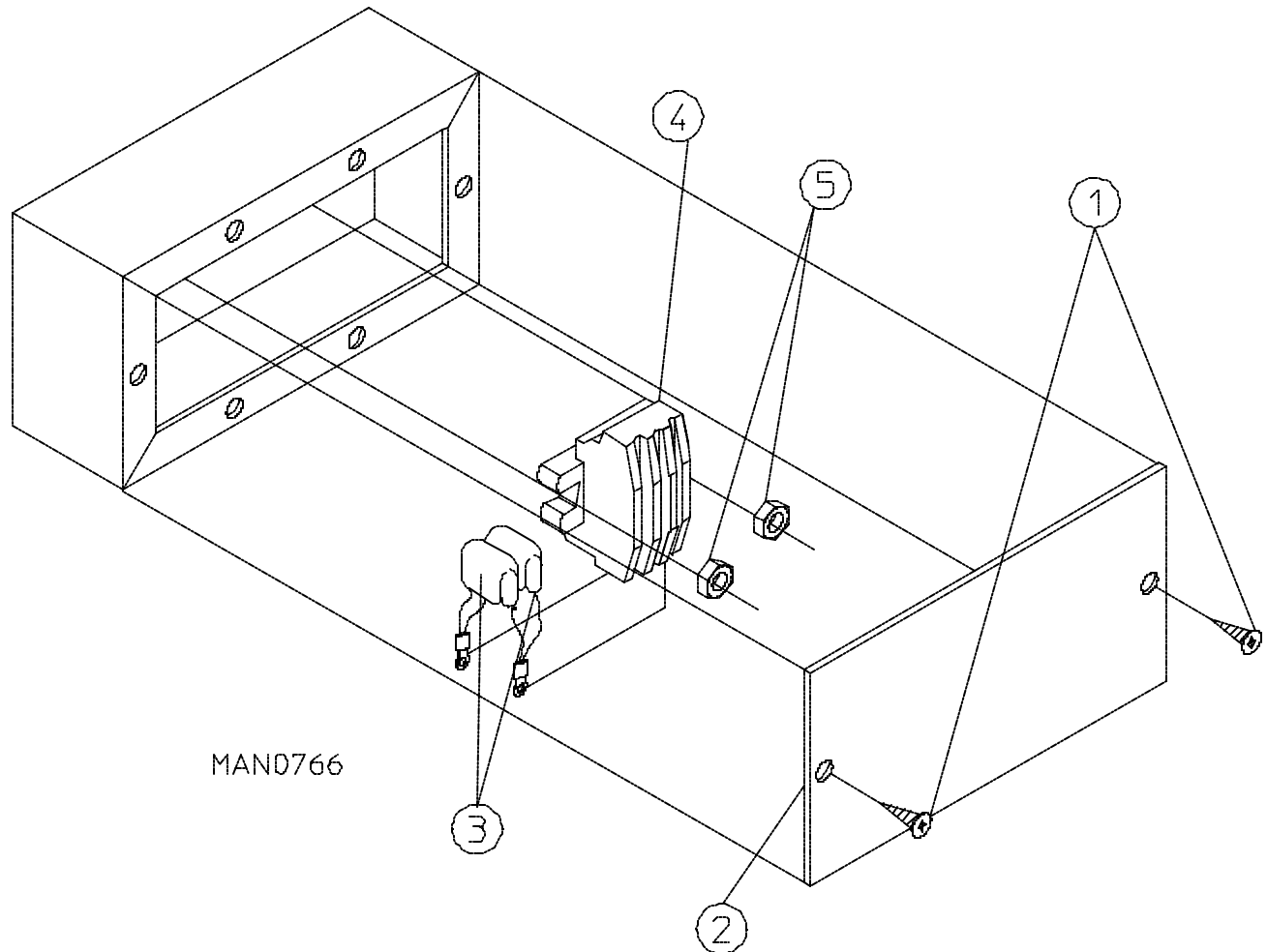


MAN0257

<u>Illus. No.</u>	<u>Part No.</u>	<u>Qty.</u>	<u>Description</u>
1	150301	6	#8-18 x 7/16" Phillips Pan Head TEK Screw
2	322808	1	Control Box Cover Plate ONLY (12" x 8-1/2")
3	150108	2	#8-32 x 1/2" Phillips Pan Head Machine Screw
4	132200	1	Reversing Timer (60 Hz)
	132202	1	Reversing Timer (50 Hz)
5	151001	2	#8-32 Pal Nut
6	153002	2	5/16" Lock Washer
7	152004	2	5/16-18 Hex Nut
8	150108	2	#8-32 x 1/2" Phillips Pan Head Machine Screw
9	132400	1	Impellor (blower/fan) Contactor (for 208/230/240 volt - 50/60 Hz models Only)
10	151001	2	#8-32 Pal Nut
11	322807	1	Contactor Mounting Panel ONLY
12	150108	2	#8-32 x 1/2" Phillips Pan Head Machine Screw
13	132404	1	Reversing Contactor (for 208 volt - 60 Hz models Only)
	132401	2	Reversing Contactor (for 220/230 volt - 60 Hz models Only)
14	132416	1	Reversing Contactor Replacement Coil (for 208 volt - 60 Hz models Only)
	132415	2	Reversing Contactor Replacement Coil (for 220/230 volt - 60 Hz models Only)
	132407	2	Reversing Contactor Replacement Coil (for 240 volt - 50 Hz models Only)
15	151001	2	#8-32 Pal Nut



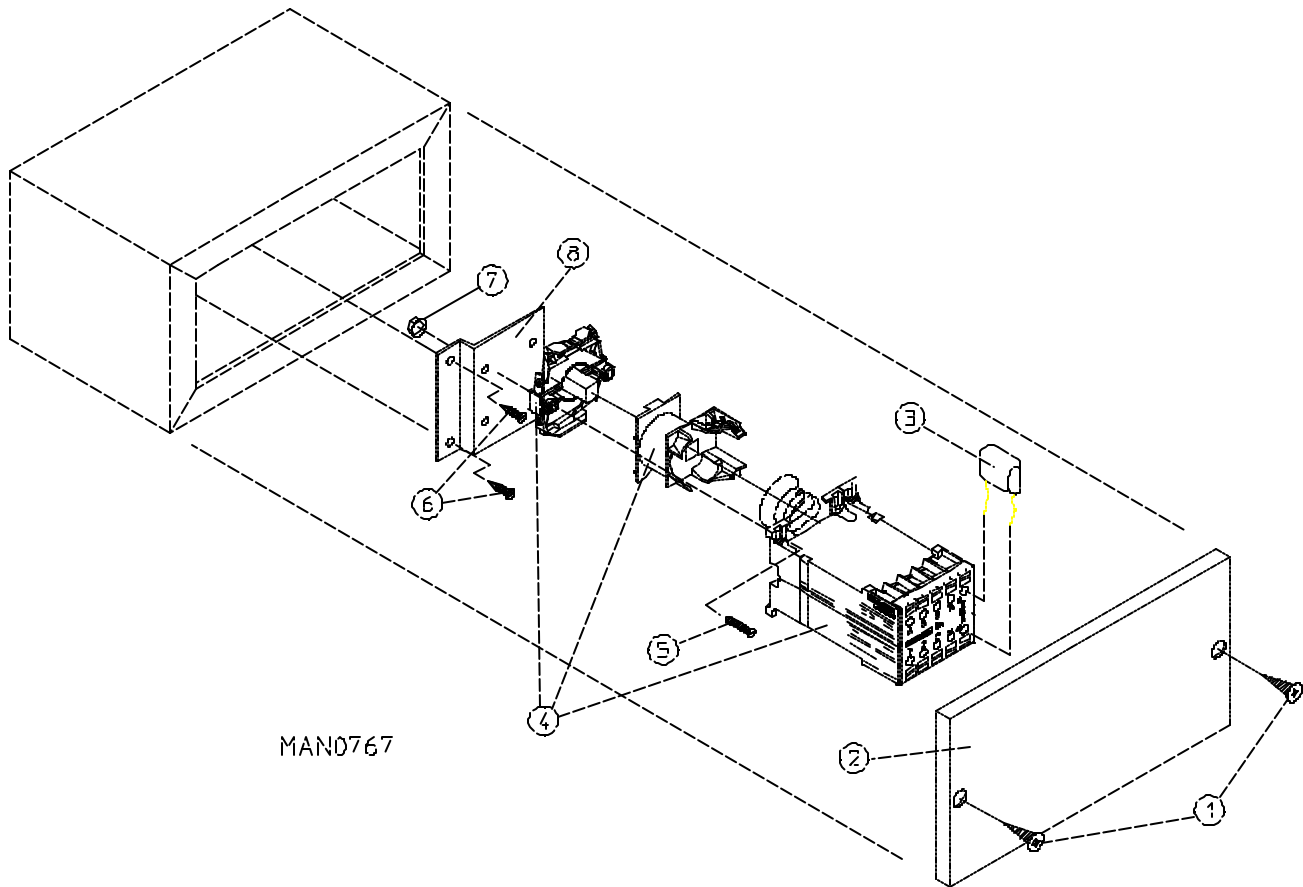
For Models Mfd. with 208 Volt or 230 Volt Controls with Furnas Relays



<u>Illus. No.</u>	<u>Part No.</u>	<u>Qty.</u>	<u>Description</u>
1	150309	6	#10-16 x 1/2" Hex Head TEK Crimptite Screw
2	311913	1	Service Box Cover Plate ONLY (9-7/8" x 4-3/8")
	311921	1	Service Box Cover Plate ONLY (9-7/8" x 5-3/4")
3*	880662	1	Dual RC Suppressor with Tab Receptacle ONLY
4	132400	1	Impellor (blower/fan) Contactor (for 208/230/240 volt - 50/60 Hz models Only)
5	151001	2	#8-32 Pal Nut

\* Used on microprocessor controller (computer) models ONLY.

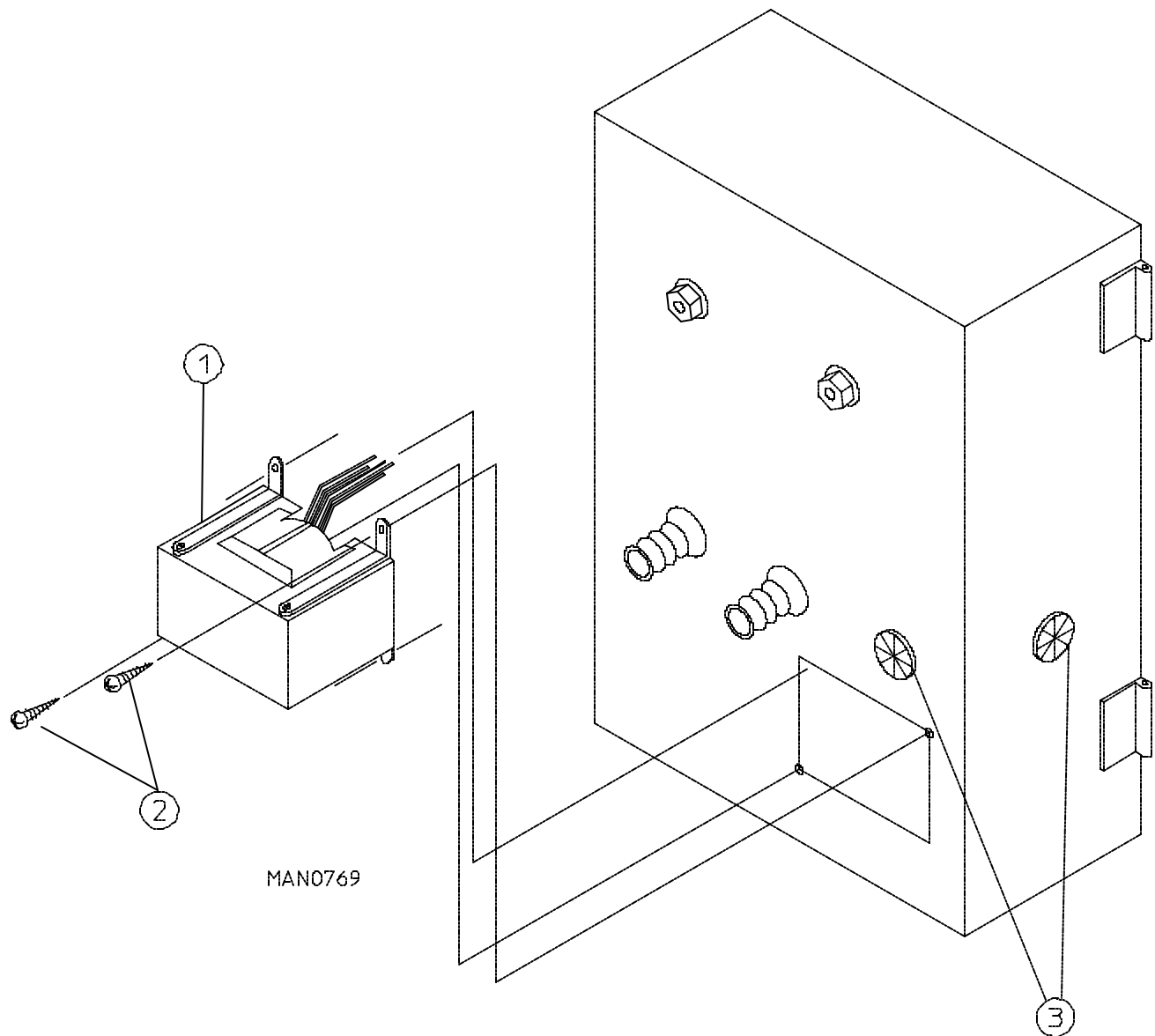
For Models Mfd. with 208 Volt or 230 Volt Controls with Telemecanique Relays



<u>Illus. No.</u>	<u>Part No.</u>	<u>Qty.</u>	<u>Description</u>
1	150309	6	#10-16 x 1/2" Hex Head TEK Crimptite Screw
2	311913	1	Service Box Cover Plate ONLY (9-7/8" x 4-3/8")
	311921	1	Service Box Cover Plate ONLY (9-7/8" x 5-3/4")
3*	137015	1	Arc Suppressor (A.S.) Capacitor ONLY
4	132425	1	Impellor (blower/fan) Contactor (for 208/230/240 volt - 50/60 Hz models Only)
	132427	1	Impellor (blower/fan) Contactor Replacement Coil (for 208/230/240 volt - 50/60 Hz models Only)
5	150108	4	#8-32 x 1/2" Phillips Pan Head Machine Screw
6	150300	2	#10-16 x 1/2" Hex Washer TEK Screw
7	151001	4	#8-32 Pal Nut
8	311920	1	3-Phase (3 $\phi$ ) Non-Reversing Contactor Mounting Bracket

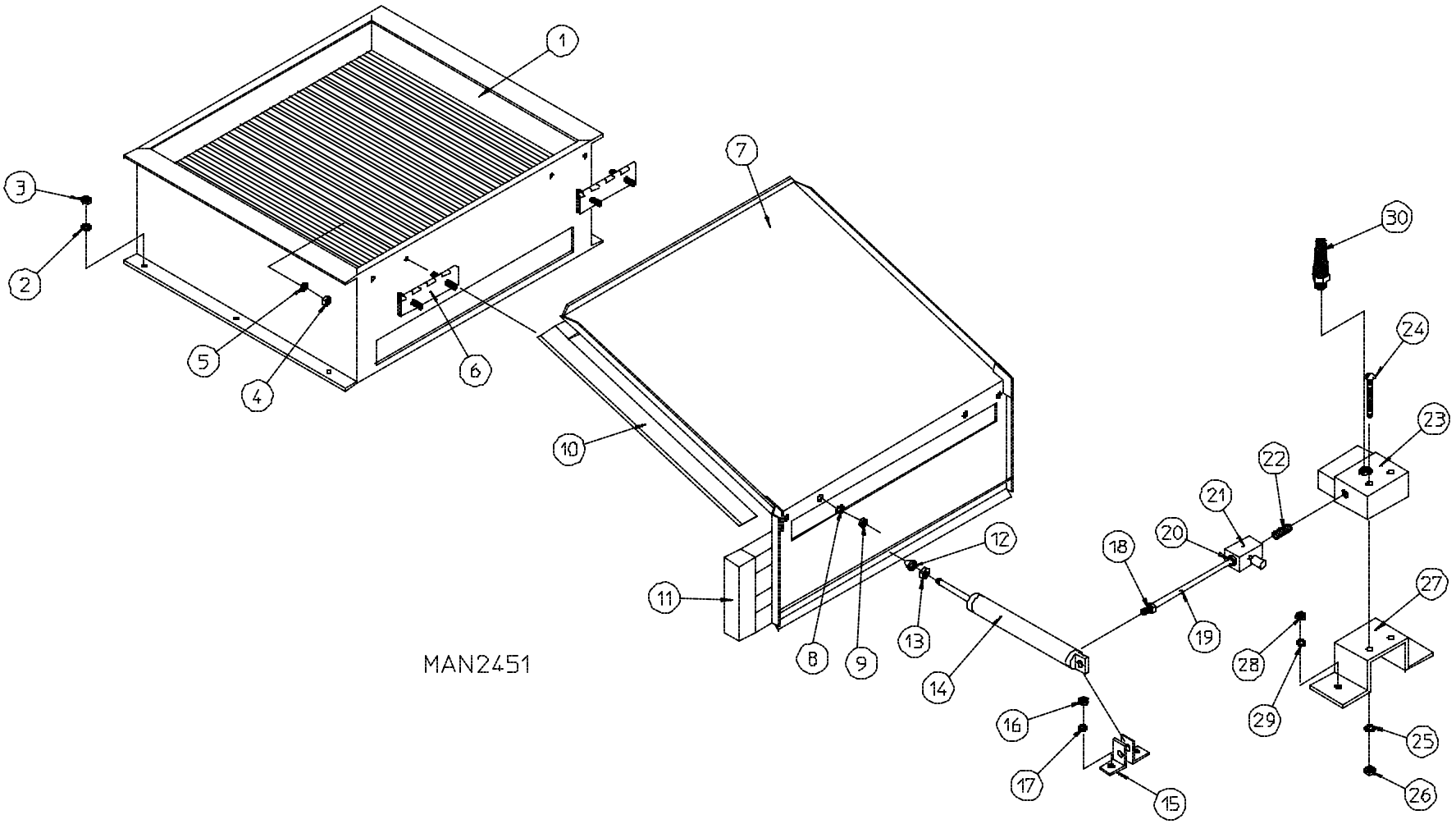
\* Used on microprocessor controller (computer) models ONLY.

**For Globar® Models and High Pressure Motorized Steam Valve Models ONLY**



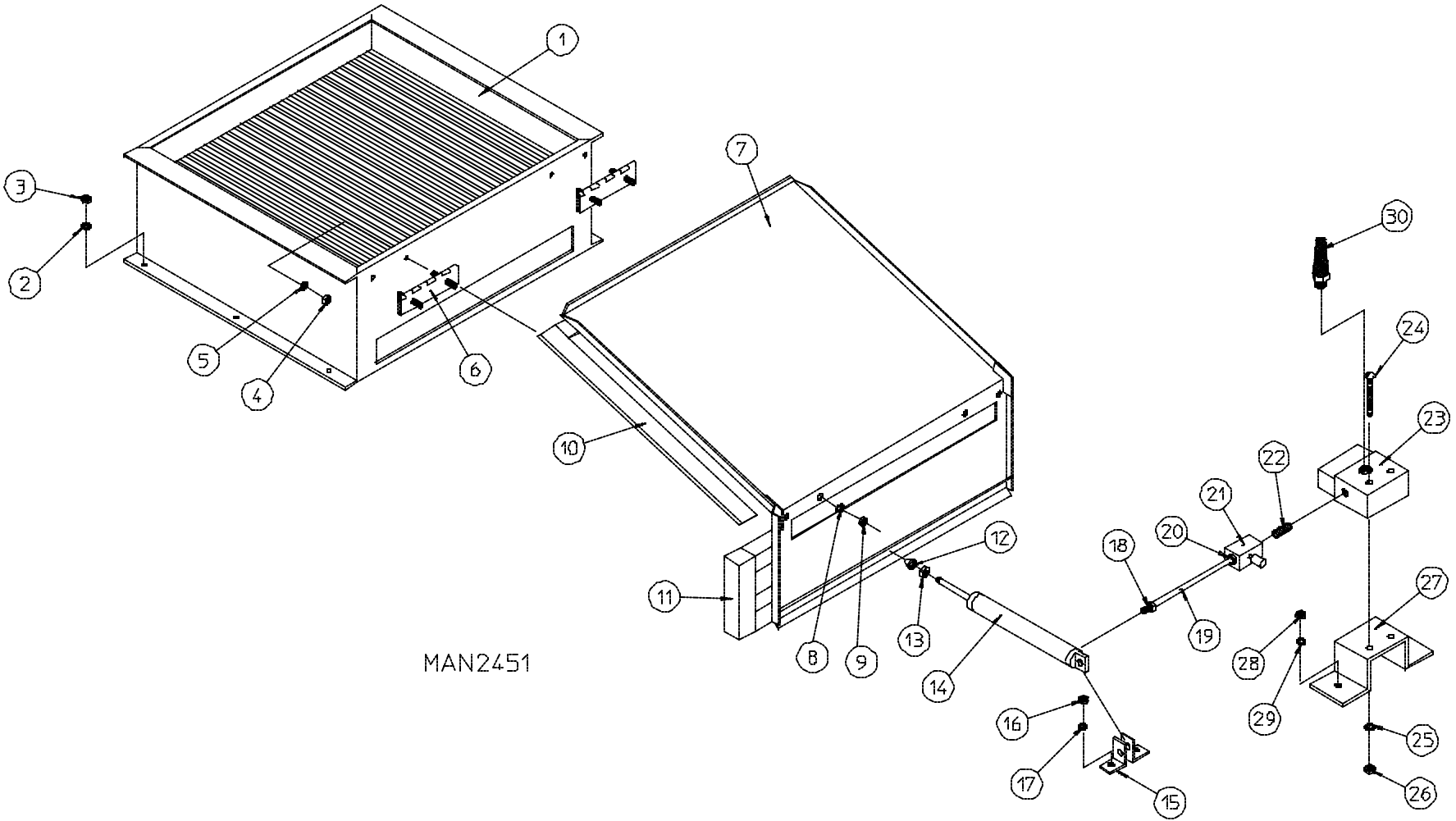
Illus. No.	Part No.	Qty.	Description
1*	132002	1	200 Watt Transformer ( <i>terminals are not included</i> ) For 120 Volt Models ONLY
	880210	1	Terminal Package for Globar® Transformer
2	150309	2	#10-16 x 1/2" Hex Head TEK Crimptite Screw
3	121400	2	Universal Bushing

\* Used on models with 208 volt and 230 volt controls ONLY.



MAN2451

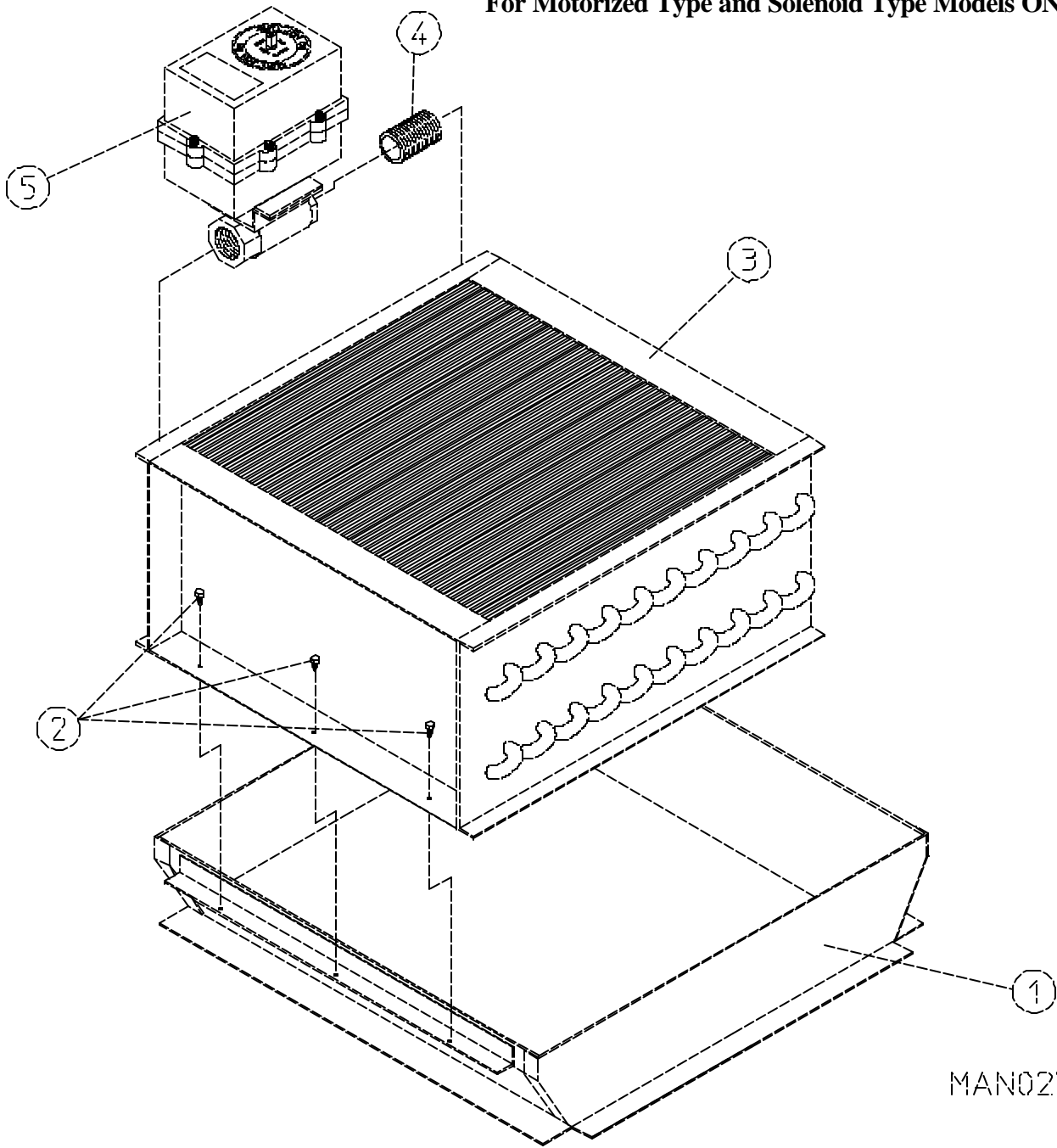
<u>Illus. No.</u>	<u>Part No.</u>	<u>Qty.</u>	<u>Description</u>
1	165008	1	ADS-30 Steam Coil Assembly
2	153002	6	5/16" Lock Washer
3	152004	6	5/16-18 Hex Nut
4	152002	4	1/4-20 Hex Nut
5	153007	4	1/4" Lock Washer
6	820321	2	Damper Hinge Assembly
7	803416	1	ADS-30 Steam Damper Assembly (includes illus. nos. 7, 10, and 11)
8	153007	4	1/4" Lock Washer
9	152002	4	1/4-20 Hex Nut
10	115995	36	Steam Damper Gasket (sold by the inch)
11	102350	1	Steam Damper Gasket (68-1/2" length)
12	151007	1	7/16-20 Stainless Steel Acorn Nut
13	152007	1	7/16-20 Hex Nut
14	100495	1	1-1/16" x 3" Stroke Piston
15	323365	2	Left and Right Piston Support
16	152002	2	1/4-20 Hex Nut
17	153007	2	1/4" Lock Washer
18	100472	1	1/4" x 1/8" Connector
19	143110	1	1/4" Tubing (sold by the foot)
20	100472	1	1/4" x 1/8" Connector
21	100496	1	1/8" Needle Valve
22	143238	1	1/8" Close Nipple
23	100498	1	3-Way Micro Valve - 24 VAC
24	150002	2	#6-32 x 1" Phillips Round Head Machine Screw
25	153010	2	#6 Star Washer
26	152000	2	#6-32 Hex Nut
27	330987	1	Micro Valve Support Bracket
28	152002	2	1/4-20 Hex Nut
29	153007	2	1/4" Lock Washer
30	100520	1	1/8" N.P.T. Silencer (muffler)



MAN2451

<u>Illus. No.</u>	<u>Part No.</u>	<u>Qty.</u>	<u>Description</u>
1	165011	1	ADS-50 Steam Coil Assembly
2	153002	6	5/16" Lock Washer
3	152004	6	5/16-18 Hex Nut
4	152002	4	1/4-20 Hex Nut
5	153007	4	1/4" Lock Washer
6	820321	2	Damper Hinge Assembly
7	803417	1	ADS-50 Steam Damper Assembly (includes illus. nos. 7, 10, and 11)
8	153007	4	1/4" Lock Washer
9	152002	4	1/4-20 Hex Nut
10	115995	36	Steam Damper Gasket (sold by the inch)
11	102350	1	Steam Damper Gasket (68-1/2" length)
12	151007	1	7/16-20 Stainless Steel Acorn Nut
13	152007	1	7/16-20 Hex Nut
14	100495	1	1-1/16" x 3" Stroke Piston
15	323365	2	Left and Right Piston Support
16	152002	2	1/4-20 Hex Nut
17	153007	2	1/4" Lock Washer
18	100472	1	1/4" x 1/8" Connector
19	143110	1	1/4" Tubing (sold by the foot)
20	100472	1	1/4" x 1/8" Connector
21	100496	1	1/8" Needle Valve
22	143238	1	1/8" Close Nipple
23	100498	1	3-Way Micro Valve - 24 VAC
24	150002	2	#6-32 x 1" Phillips Round Head Machine Screw
25	153010	2	#6 Star Washer
26	152000	2	#6-32 Hex Nut
27	330987	1	Micro Valve Support Bracket
28	152002	2	1/4-20 Hex Nut
29	153007	2	1/4" Lock Washer
30	100520	1	1/8" N.P.T. Silencer (muffler)

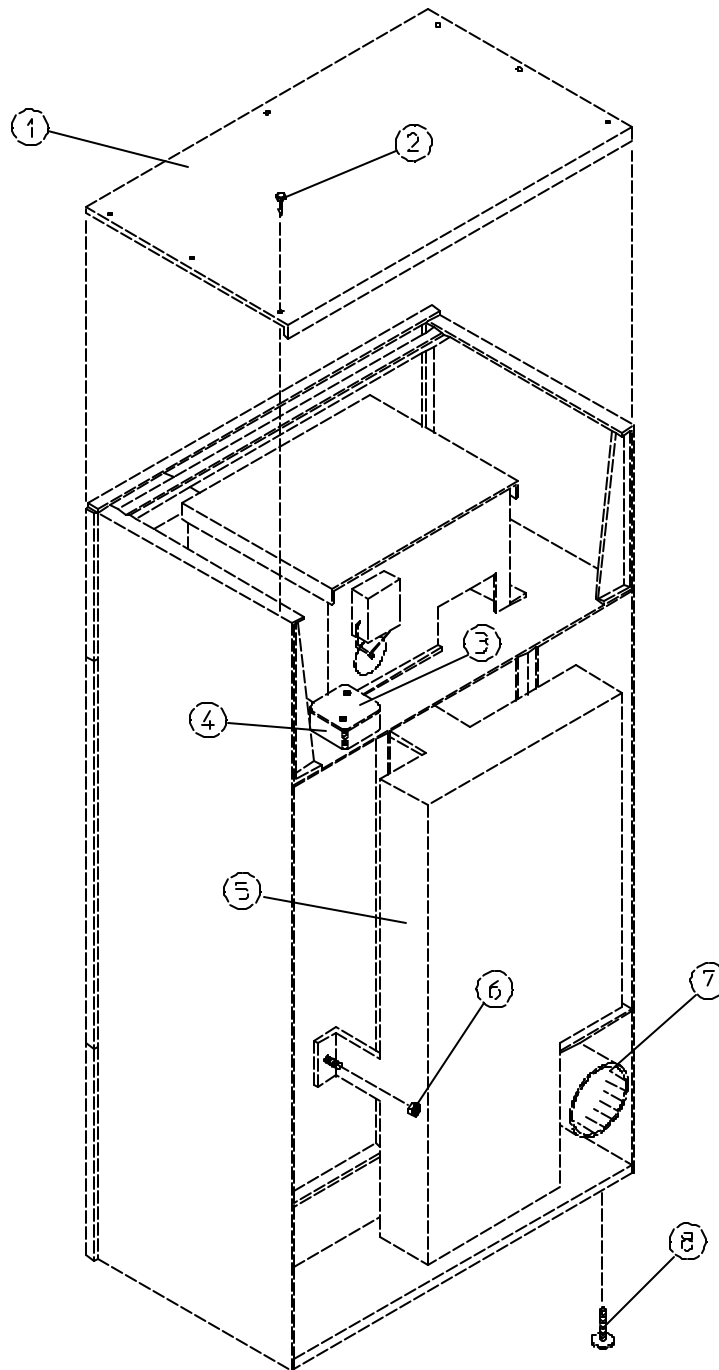
For Motorized Type and Solenoid Type Models ONLY



MAN0271

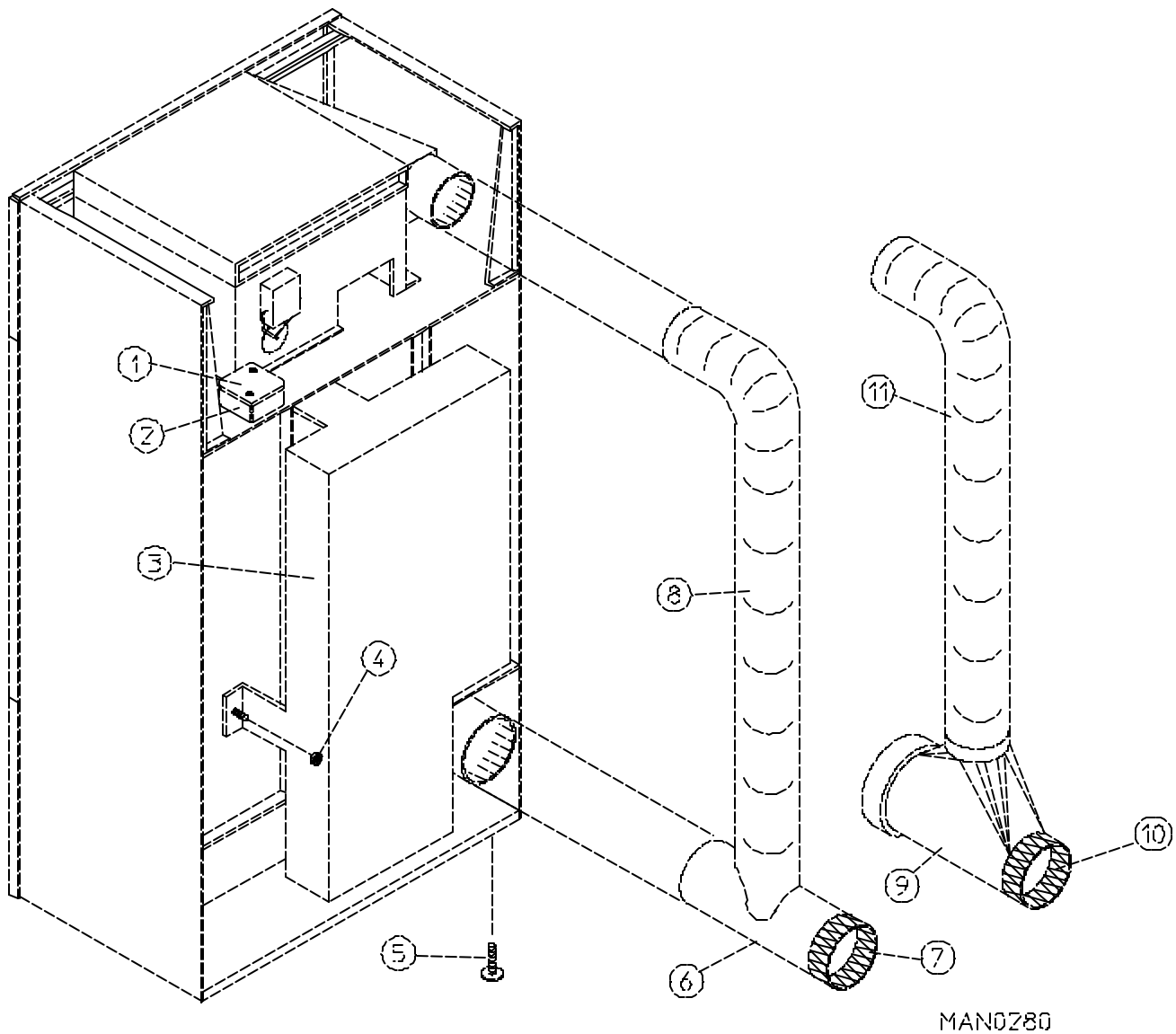
<u>Illus. No.</u>	<u>Part No.</u>	<u>Qty.</u>	<u>Description</u>
1	803500	1	Large Steam Rack (for high pressure Only)
	803501	1	Large Steam Rack (for low pressure Only)
2	150300	6	#10-16 x 1/2" Hex Washer TEK Screw
3	165002	1	Large Steam Coil (for high pressure Only)
	165003	1	Large Steam Coil (for low pressure Only)
4	142711	1	1" Closed Nipple (for high pressure Only)
	142713	1	1-1/4" Closed Nipple (for low pressure Only)
5	165107	1	1" Motorized Steam Valve (for high pressure Only)
	165102	1	1-1/4" Solenoid Valve - 120 VAC (for low pressure Only)
	165103	1	1-1/4" Solenoid Valve - 230 VAC (for low pressure Only)





MAN0770

<u>Illus. No.</u>	<u>Part No.</u>	<u>Qty.</u>	<u>Description</u>
1	312511	1	Outer Top Assembly (for AD-30 gas models and electric models Only)
	312518	1	Outer Top Assembly (for ADG-50 gas models Only)
	312519	1	Outer Top Assembly (for ADE-50 electric models Only)
2	150300	7	#10-16 x 1/2" Hex Washer TEK Screw
3	121101	1	Junction Box Cover ONLY (for gas models and steam models Only)
4	121100	1	Junction Box ONLY (for gas models and steam models Only)
5	801521	1	Back Guard Assembly
6	152014	3	1/4-20 Free Spin Wash Nut
7	880501	1	8" Damper Replacement (for non-heat reclaimer models Only)
8	103500	4	Leveling Leg



<u>Illus. No.</u>	<u>Part No.</u>	<u>Qty.</u>	<u>Description</u>
1	121101	1	Junction Box Cover ONLY
2	121100	1	Junction Box ONLY
3	801521	1	Back Guard Assembly
4	152014	3	1/4-20 Free Spin Wash Nut
5	103500	4	Leveling Leg
6*	143513	1	6" x 6" x 5" Tee
7	880502	1	6" Replacement Damper Assembly
8	143509	1	6" Flexible Duct
	117505	2	Aluminum Duct Tape (sold by the foot)
9*	143501	1	8" x 6" x 6" Tee
10	880502	1	6" Replacement Damper Assembly
11	143509	1	6" Flexible Duct

\* Damper assembly **must be** purchased separately.

TYPE OF HEAT	ELECTRIC SERVICE			RELAY BOARD PART NUMBER	
	VOLTAGE	PHASE	WIRE SERVICE	CONTROL VOLTAGE	
				120 VOLT	208/230 VOLT
<b>GAS</b>					
Globar® Non-Hi/Lo	120	1∅	2	137077 or 137150	-----
Globar® Non-Hi/Lo	208/230	1∅	2	-----	137079
Globar® Non-Hi/Lo	208/480	3∅	3	-----	137079
Globar® Hi/Lo	120	1∅	2	137077 or 137150	-----
Globar® Hi/Lo	208/230	1∅	2	137077	-----
Globar® Hi/Lo	208/480	3∅	3	137077	-----
Direct Spark Ignition (DSI)	120	1∅	2	137076*	-----
Direct Spark Ignition (DSI)	208/230	1∅	2	-----	137151
Direct Spark Ignition (DSI)	208/480	3∅	3	-----	137078
<b>ELECTRIC</b>					
15 Kw through 30 Kw	208/230	1∅	2	-----	137151
	208/480	3∅	3	-----	137078*
	208	3∅	4	137151	-----
	380/480	3∅	4	-----	137078*
<b>STEAM</b>					
Low Pressure	120	1∅	2	137151	-----
Low Pressure	208/230	1∅	2	-----	137151
Low Pressure	208/480	3∅	3	-----	137078
High Pressure	120	1∅	2	137151	-----
High Pressure	208/230	1∅	2	-----	137151
High Pressure	208/480	3∅	3	-----	137078

\* May also use Part No. 137151 (Solid State Relay [SSR] Board).

**IMPORTANT:** Check label on relay board to verify correct part number.

**NOTE:** ADC Part No. 137151 (Solid State Relay [SSR] Board) **cannot** be used with 3-phase (3∅) motors.

**NOTE:** Coin acceptors listed include optical switch (ADC Part No. 137056).

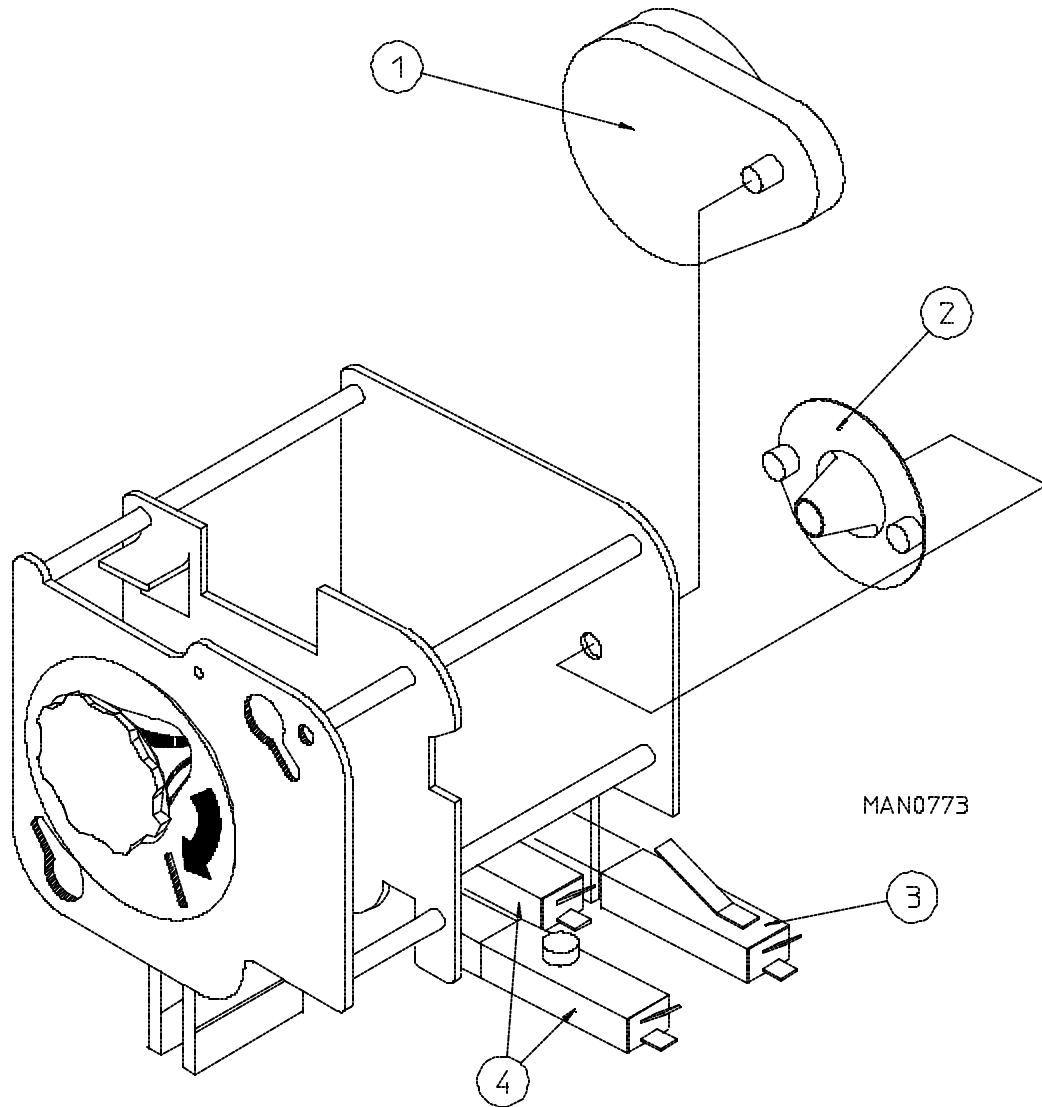
## Single Coin\*

<u>ADC Part No.</u>	<u>Nation</u>	<u>Description</u>
125100	U.S. and Canada	25¢ Optic Coin Acceptor
125127	Canada	\$1 Canadian Optic Coin Acceptor
125101	United Kingdom	10 New Pence Optic Coin Acceptor
125114	United Kingdom	20 New Pence Optic Coin Acceptor
125115	United Kingdom	1 Pound Optic Coin Acceptor
125106	France	1 French Franc Optic Coin Acceptor
125120	France	2 French Franc Optic Coin Acceptor
125124	France	5 French Franc Optic Coin Acceptor
125109	Denmark	1 Danish Krone Optic Coin Acceptor
125125	Netherlands	25¢ Guilder Optic Coin Acceptor
125108	Australia	10¢ Australian Optic Coin Acceptor
125107	Australia	20¢ Australian Optic Coin Acceptor
125130	Australia	\$1 Australian Optic Coin Acceptor
125123	New Zealand	50¢ New Zealand Optic Coin Acceptor
125104	Japan	100 Yen Optic Coin Acceptor
125103	---	0.882 Token Optic Coin Acceptor
125121	---	0.800 Token Optic Coin Acceptor
125129	---	Muller Token Optic Coin Acceptor
125132	Singapore	50¢ Singapore Optic Coin Acceptor
125133	Hong Kong	\$1 Hong Kong Optic Coin Acceptor

## Dual Coin\*

125116	U.S. and Canada	10¢/25¢ Dual Optic Coin Acceptor
125128	Canada	25¢/\$1 Dual Optic Coin Acceptor
125112	United Kingdom	10/20 Pence Dual Optic Coin Acceptor
125110	United Kingdom	10/50 Pence Dual Optic Coin Acceptor
125111	United Kingdom	20/50 Pence Dual Optic Coin Acceptor
125113	United Kingdom	1£/20 Pence Dual Optic Coin Acceptor
125122	France	2/5 Franc Dual Optic Coin Acceptor
125117	Denmark	1/5 Danish Krone Dual Optic Coin Acceptor
125131	Denmark	5/10 Danish Krone Dual Optic Coin Acceptor
125126	Netherlands	25¢/1 Guilder Dual Optic Coin Acceptor
125118	Singapore	20¢/50¢ Singapore Dual Optic Coin Acceptor
125105	Japan	50/100 Yen Dual Optic Coin Acceptor

\* Consult factory for coin acceptors not listed.



<u>Illus. No.</u>	<u>Part No.</u>	<u>Qty.</u>	<u>Description</u>
1	125511	1	1/60 RPM 120 Volt/60 Hz Meter Motor
	125532	1	1/60 RPM 230 Volt/60 Hz Meter Motor
	125530	1	1/60 RPM 120 Volt/50 Hz Meter Motor
	125513	1	1/30 RPM 230 Volt/50 Hz Meter Motor
2	125500	1	2-Point Cam
	125501	1	3-Point Cam
	125502	1	4-Point Cam
	125503	1	5-Point Cam
	125504	1	6-Point Cam
	125506	1	8-Point Cam
	125507	1	9-Point Cam
	125508	1	10-Point Cam
	125510	1	12-Point Cam
	3	115515	1
4	115516	1	Meter Switch "A" or "C"

<b>GLOBAL® BURNER ORIFICE LISTING*</b>							
ADC MODEL NUMBER	DRYER CONTROLS	HEAT RECLAIMER	QTY.	NATURAL GAS		LIQUID PROPANE (L.P.) GAS	
				D.M.S.	PART No.	D.M.S.	PART No.
ADG-30B	Computer	No	2	1/8"	140843	#49	140803
ADG-30B	Non-Computer	No	2	1/8"	140843	#49	140803
ADG-30BH	Computer	Yes	2	#31	140818	#49	140803
ADG-30BH	Non-Computer	Yes	2	#31	140818	#49	140803
ADG-50B	Computer	No	2	#27	140822	#44	140808
ADG-50B	Non-Computer	No	2	#27	140822	#44	140808
ADG-50BH	Computer	Yes	2	#30	140819	#48	140804
ADG-50BH	Non-Computer	Yes	2	#30	140819	#48	140804

\* Consult factory for elevations over 2,000 feet.

<b>GLOBAL® BURNER ASSEMBLY LISTING</b>				
ADC MODEL NUMBER	DRYER CONTROLS	HEAT RECLAIMER	NATURAL GAS PART NUMBER	LIQUID PROPANE (L.P.) GAS PART NUMBER
ADG-30B	Computer	No	808702	808802
ADG-30B	Non-Computer	No	808702	808802
ADG-30BH	Computer	Yes	809591	809601
ADG-30BH	Non-Computer	Yes	809541	809546
ADG-50B	Computer	No	808703	808803
ADG-50B	Non-Computer	No	808703	808803
ADG-50BH	Computer	Yes	809593	809603
ADG-50BH	Non-Computer	Yes	809542	809547

**NOTES:** 1. Burner assemblies *do not include* burner orifices. They **must be** ordered separately.  
 2. Models with computer controls and optional heat reclaimer systems have Hi/Lo computerized gas valve system.  
 3. When ordering burner assemblies, specify model number and if computer or non-computer.

<b>GLOBAL® LIQUID PROPANE (L.P.) CONVERSION KIT LISTING*</b>			
ADC MODEL NUMBER	DRYER CONTROLS	HEAT RECLAIMER	LIQUID PROPANE (L.P.) KIT PART NUMBER
ADG-30B	Computer	No	874012
ADG-30B	Non-Computer	No	874012
ADG-30BH	Computer	Yes	874013
ADG-30BH	Non-Computer	Yes	874012
ADG-50B	Computer	No	874014
ADG-50B	Non-Computer	No	874014
ADG-50BH	Computer	Yes	874016
ADG-50BH	Non-Computer	Yes	874015

\* Consult factory for elevations over 2,000 feet.

<b>DIRECT SPARK IGNITION (DSI) BURNER ORIFICE LISTING*</b>						
<b>ADC MODEL NUMBER</b>	<b>HEAT RECLAIMER</b>	<b>QTY.</b>	<b>NATURAL GAS</b>		<b>LIQUID PROPANE (L.P.) GAS</b>	
			<b>D.M.S.</b>	<b>PART NO.</b>	<b>D.M.S.</b>	<b>PART NO.</b>
ADG-30D	No	2	#30	140819	#46	140806
ADG-30DH	Yes	2	1/8"	140843	#49	140803
ADG-50D	No	2	#21	140827	#40	140854
ADG-50DH	Yes	2	#26	140823	#43	140809

\* Consult factory for elevations over 2,000 feet.

<b>DIRECT SPARK IGNITION (DSI) BURNER ASSEMBLY LISTING</b>				
<b>ADC MODEL NUMBER</b>	<b>BTU/HR RATING</b>	<b>HEAT RECLAIMER</b>	<b>NATURAL GAS PART NUMBER</b>	<b>LIQUID PROPANE (L.P.) GAS PART NUMBER</b>
ADG-30D	100,000	No	809631	809632
ADG-30DH	90,000	Yes	809633	809634
ADG-50D	150,000	No	809625	809626
ADG-50DH	130,000	Yes	809624	809624

**NOTES:** 1. Burner assemblies *do not include* burner orifices. They **must be** ordered separately.  
2. When ordering burner assemblies, specify model number and if computer or non-computer.

<b>DIRECT SPARK IGNITION (DSI) LIQUID PROPANE (L.P.) CONVERSION KIT LISTING</b>	
<b>ADC MODEL NUMBER</b>	<b>KIT PART NUMBER</b>
ADG-30D	874050
ADG-30DH	874049
ADG-50D	874044
ADG-50DH	874045

\* Consult factory for elevations over 2,000 feet.

For Models Mfd. as of November 12, 1990

**ADE-30**

KW	VOLTAGE	PHASE	WIRE	OVEN ASSEMBLY PART NO.*	ELEMENT			OVEN WIRE			TERMINAL LUG		BUS BAR PART NO. 121011	OVEN RELAY		RELAY COIL PART NO.
					Qty.	Kw	Part No.	Qty.	Size	Part No.	Qty.	Part No.		Cat. No.	Part No.	
30	208	3 $\phi$	3	815105	6	5	120012	6	#6	133200	7	121012	1	FEAG	131309	131811
30	208	3 $\phi$	4	815105	6	5	120012	6	#6	133200	7	121012	1	FEAF	131308	131810
30	230	3 $\phi$	3	815305	6	5	120013	5	#8	133100	7	121012	1	EEAG	131307	131809
30	416	3 $\phi$	3 or 4	815605	6	5	120012	3	#8	133100	4	121010	2	CEAG	131303	131809
30	460/480	3 $\phi$	3 or 4	815705	6	5	120013	3	#8	133100	4	121010	2	BEAG	131311	131809
25	380	3 $\phi$	3 or 4	815405	6	5	120012	3	#8	133100	4	121010	2	BEAG	131311	131809
24	208	3 $\phi$	3	815107	6	4	120010	5	#8	133100	7	121012	1	EEAG	131307	131809
24	208	3 $\phi$	4	815107	6	4	120010	5	#8	133100	7	121012	1	EEAF	131306	131808
24	230	3 $\phi$	3	815307	6	4	120011	5	#10	133000	7	121010	1	DEAG	131305	131809
24	416	3 $\phi$	3 or 4	815604	6	4	120010	3	#8	133100	4	121010	2	BEAG	131311	131809
24	460/480	3 $\phi$	3 or 4	815704	6	4	120011	3	#10	133000	4	121010	2	BEAG	131311	131809
20	208	1 $\phi$	2	815005	5	4	120010	2	#4	133330	2	121010	2	GEAG	131312	131811
20	230	1 $\phi$	2	815205	5	4	120011	2	#4	133330	2	121010	2	FEAG	131309	131811
20	380	3 $\phi$	3 or 4	815404	6	4	120010	3	#10	133000	4	121010	2	BEAG	131311	131809
15	208	3 $\phi$	3 or 4	815101	3	5	120012	3	#8	133100	4	121010	2	CEAG	131303	131809
15	208	3 $\phi$	3	815101	3	5	120012	3	#8	133100	4	121010	2	CEAF	131302	131808
15	230	3 $\phi$	3	815301	3	5	120013	3	#8	133100	4	121010	2	BEAG	131311	131809

**ADE-50**

KW	VOLTAGE	PHASE	WIRE	OVEN ASSEMBLY PART NO.*	ELEMENT			OVEN WIRE			TERMINAL LUG		BUS BAR PART NO. 121011	OVEN RELAY		RELAY COIL PART NO.
					Qty.	Kw	Part No.	Qty.	Size	Part No.	Qty.	Part No.		Cat. No.	Part No.	
30	208	3 $\phi$	3	815106	6	5	120012	6	#6	133200	7	121010	1	FEAG	131309	131811
30	208	3 $\phi$	4	815106	6	5	120012	6	#6	133200	7	121010	1	FEAF	131308	131810
30	230	3 $\phi$	3	815306	6	5	120013	5	#8	133100	7	121010	1	EEAG	131307	131809
30	416	3 $\phi$	3 or 4	815603	6	5	120012	3	#8	133100	4	121010	2	CEAG	131303	131809
30	460/480	3 $\phi$	3 or 4	815703	6	5	120013	3	#8	133100	4	121010	2	BEAG	131311	131809
25	380	3 $\phi$	3 or 4	815403	6	5	120012	3	#8	133100	4	121010	2	BEAG	131311	131809
24	208	3 $\phi$	3	815104	6	4	120010	5	#8	133100	7	121010	1	EEAG	131307	131809
24	208	3 $\phi$	4	815104	6	4	120010	5	#8	133100	7	121010	1	EEAF	131306	131808
24	230	3 $\phi$	3	815304	6	4	120011	5	#10	133000	7	121010	1	DEAG	131305	131809
24	416	3 $\phi$	3 or 4	815602	6	4	120010	3	#8	133100	4	121010	2	BEAG	131311	131809
24	460/480	3 $\phi$	3 or 4	815702	6	4	120011	3	#10	133000	4	121010	2	BEAG	131311	131809
20	208	1 $\phi$	2	815003	5	4	120010	2	#4	133300	2	121012	2	GEAG	131312	131811
20	230	1 $\phi$	2	815203	5	4	120011	2	#4	133300	2	121012	2	FEAG	131309	131811
20	380	3 $\phi$	3 or 4	815402	6	4	120010	3	#10	133000	4	121010	2	BEAG	131311	131809

\* Oven Assembly Complete *does not include* Oven Relay (contactor). This item **must be** ordered separately. When ordering Oven Assembly Complete, specify 3 or 4 wire when applicable as well as if dryer has microprocessor controller (computer) or non-microprocessor controls.



For Models Mfd. prior to November 12, 1990

**ADE-30**

KW	VOLTAGE	PHASE	WIRE	OVEN ASSEMBLY PART No.*	ELEMENT			OVEN WIRE			TERMINAL LUG		BUS BAR PART No. 121011	OVEN RELAY		RELAY COIL PART No.
					Qty.	Kw	Part No.	Qty.	Size	Part No.	Qty.	Part No.		Cat. No.	Part No.	
30	208	3ø	3	815105	6	5	120012	6	#6	133200	7	121012	1	DEAG	131305	131809
30	208	3ø	4	815105	6	5	120012	6	#6	133200	7	121012	1	DEAF	131304	131808
30	230	3ø	3	815305	6	5	120013	5	#8	133100	7	121012	1	CEAG	131303	131809
30	416	3ø	3 or 4	815605	6	5	120012	3	#8	133100	4	121010	2	CEAG	131303	131809
30	460/480	3ø	3 or 4	815705	6	5	120013	3	#8	133100	4	121010	2	BEAG	131311	131809
25	380	3ø	3 or 4	815405	6	5	120012	3	#8	133100	4	121010	2	BEAG	131311	131809
24	208	3ø	3	815107	6	4	120010	5	#8	133100	7	121012	1	CEAG	131303	131809
24	208	3ø	4	815107	6	4	120010	5	#8	133100	7	121012	1	CEAF	131302	131808
24	230	3ø	3	815307	6	4	120011	5	#10	133000	7	121010	1	BEAG	131311	131809
24	416	3ø	3 or 4	815604	6	4	120010	3	#8	133100	4	121010	2	BEAG	131311	131809
24	460/480	3ø	3 or 4	815704	6	4	120011	3	#10	133000	4	121010	2	BEAG	131311	131809
20	208	1ø	2	815005	5	4	120010	2	#4	133330	2	121010	2	GEAG	131312	131811
20	230	1ø	2	815205	5	4	120011	2	#4	133330	2	121010	2	FEAG	131309	131811
20	380	3ø	3 or 4	815404	6	4	120010	3	#10	133000	4	121010	2	BEAG	131311	131809
15	208	3ø	3	815101	3	5	120012	3	#8	133100	4	121010	2	CEAG	131303	131809
15	208	3ø	4	815101	3	5	120012	3	#8	133100	4	121010	2	CEAF	131302	131808
15	230	3ø	3	815301	3	5	120013	3	#8	133100	4	121010	2	BEAG	131311	131809

**ADE-50**

KW	VOLTAGE	PHASE	WIRE	OVEN ASSEMBLY PART No.*	ELEMENT			OVEN WIRE			TERMINAL LUG		BUS BAR PART No. 121011	OVEN RELAY		RELAY COIL PART No.
					Qty.	Kw	Part No.	Qty.	Size	Part No.	Qty.	Part No.		Cat. No.	Part No.	
30	208	3ø	3	815106	6	5	120012	6	#6	133200	7	121010	1	FEAG	131305	131809
30	208	3ø	4	815106	6	5	120012	6	#6	133200	7	121010	1	FEAF	131304	131808
30	230	3ø	3	815306	6	5	120013	5	#8	133100	7	121010	1	EEAG	131303	131809
30	416	3ø	3 or 4	815603	6	5	120012	3	#8	133100	4	121010	-	CEAG	131303	131809
30	460/480	3ø	3 or 4	815703	6	5	120013	3	#8	133100	4	121010	-	BEAG	131311	131809
25	380	3ø	3 or 4	815403	6	5	120012	3	#8	133100	4	121010	-	BEAG	131311	131809
24	208	3ø	3	815104	6	4	120010	5	#8	133100	7	121010	1	EEAG	131303	131809
24	208	3ø	4	815104	6	4	120010	5	#8	133100	7	121010	1	EEAF	131302	131809
24	230	3ø	3	815304	6	4	120011	5	#10	133000	7	121010	1	BEAG	131311	131809
24	416	3ø	3 or 4	815602	6	4	120010	3	#8	133100	4	121010	-	BEAG	131311	131809
24	460/480	3ø	3 or 4	815702	6	4	120011	3	#10	133000	4	121010	-	BEAG	131311	131809
20	208	1ø	2	815003	5	4	120010	2	#4	133300	2	121012	-	GEAG	131312	131811
20	230	1ø	2	815203	5	4	120011	2	#4	133300	2	121012	-	FEAG	131309	131811
20	380	3ø	3 or 4	815402	6	4	120010	3	#10	133000	4	121010	-	BEAG	131311	131809

\* Oven Assembly Complete *does not include* Oven Relay (contactor). This item **must be** ordered separately. When ordering Oven Assembly Complete, specify 3 or 4 wire when applicable as well as if dryer has microprocessor controller (computer) or non-microprocessor controls.

---

<u>Part No.</u>	<u>Description</u>
112039	“Black/White/Green Ground” Label
112090	“Phase 4 OPL Program Location Summary” Label
112280	“Clean Lint Screen” Label
112530	“Coin Program Location Summary” Label
112531	“Phase 3 OPL Program Location Summary” Label
114001	“CAUTION - Exhaust/Lint Screen” Label
114006	“WARNING - Fire Hazards” Label
120100	3/8” Straight (BX) Connector
120200	3/8” x 90° (BX) Connector
120300	3/8” x 45° (BX) Connector
120400	3/8” Red Jacket (BX) Insulator
120500	3/8” Jiffy Clip (BX retainer clip)
120600	3/8” Greenfield (BX)
120707	2-Position Terminal Strip
120708	3-Position Terminal Strip
120800	1/4” In-Line Connector
120802	Red Butt Connector
120902	#74B Wire Nut
120903	Closed End Connector
121014	1/4” Insulated (female) Terminal
121026	Tab Receptacle Combination
121499	5-1/2” Harness Tie
121500	7” Harness Tie
121503	Harness Tie Mounting Clip
122804	Manometer (hydro gauge) For Measuring Gas Pressure
404500	Almond Brush-In-Cap Bottle Touch-Up Paint
404502	White Brush-In-Cap Bottle Touch-Up Paint
404506	Almond “B” Brush-In-Cap Bottle Touch-Up Paint
404507	Cornflower Blue Brush-In-Cap Bottle Touch-Up Paint
880200	Electrical Terminal (assortment) Kit

ADC 450096    1- 01/28/92-100    2- 05/07/92-200    3- 10/19/92-200  
4\* 03/21/94-100    5- 01/24/95-200    6\* 05/28/97-200  
7\* 12/27/00-25

