



SUPER AD-30 Parts Manual 24 VAC Phase 5 1994 thru 2000

**MODELS: ADG-30DS
ADE-30S
ADS-30S**

American Dryer Corporation
88 Currant Road
Fall River, MA 02720-4781
Telephone: (508) 678-9000 / Fax: (508) 678-9447
E-mail: techsupport@amdry.com
www.amdry.com

Retain This Manual In A Safe Place For Future Reference

American Dryer Corporation products embody advanced concepts in engineering, design, and safety. If this product is properly maintained, it will provide many years of safe, efficient, and trouble-free operation.

ONLY qualified technicians should service this equipment.

OBSERVE ALL SAFETY PRECAUTIONS displayed on the equipment or specified in the installation/operator's manual included with the dryer.

The following “**FOR YOUR SAFETY**” caution **must be** posted near the dryer in a prominent location.

FOR YOUR SAFETY

Do not store or use gasoline or other flammable vapors or liquids in the vicinity of this or any other appliance.

POUR VOTRE SÉCURITÉ

Ne pas entreposer ni utiliser d'essence ni d'autres vapeurs ou liquides inflammables dans le voisinage de cet appareil ou de tout autre appareil.

We have tried to make this manual as complete as possible and hope you will find it useful. **ADC** reserves the right to make changes from time to time, without notice or obligation, in prices, specifications, colors, and material, and to change or discontinue models.

Important

For your convenience, log the following information:

DATE OF PURCHASE _____ **MODEL NO.** **SUPER AD-30**

DISTRIBUTORS NAME _____

Serial Number(s) _____

Replacement parts can be obtained from your distributor or the **ADC** factory. When ordering replacement parts from the factory, you can FAX your order to **ADC** at (508) 678-9447 or telephone your orders directly to the **ADC** Parts Department at (508) 678-9000. Please specify the dryer **model number** and **serial number** in addition to the **description** and **part number**, so that your order is processed accurately and promptly.

The illustrations on the following pages may not depict your particular dryer exactly. The illustrations are a composite of the various dryer models. Be sure to check the descriptions of the parts thoroughly before ordering.

“IMPORTANT NOTE TO PURCHASER”

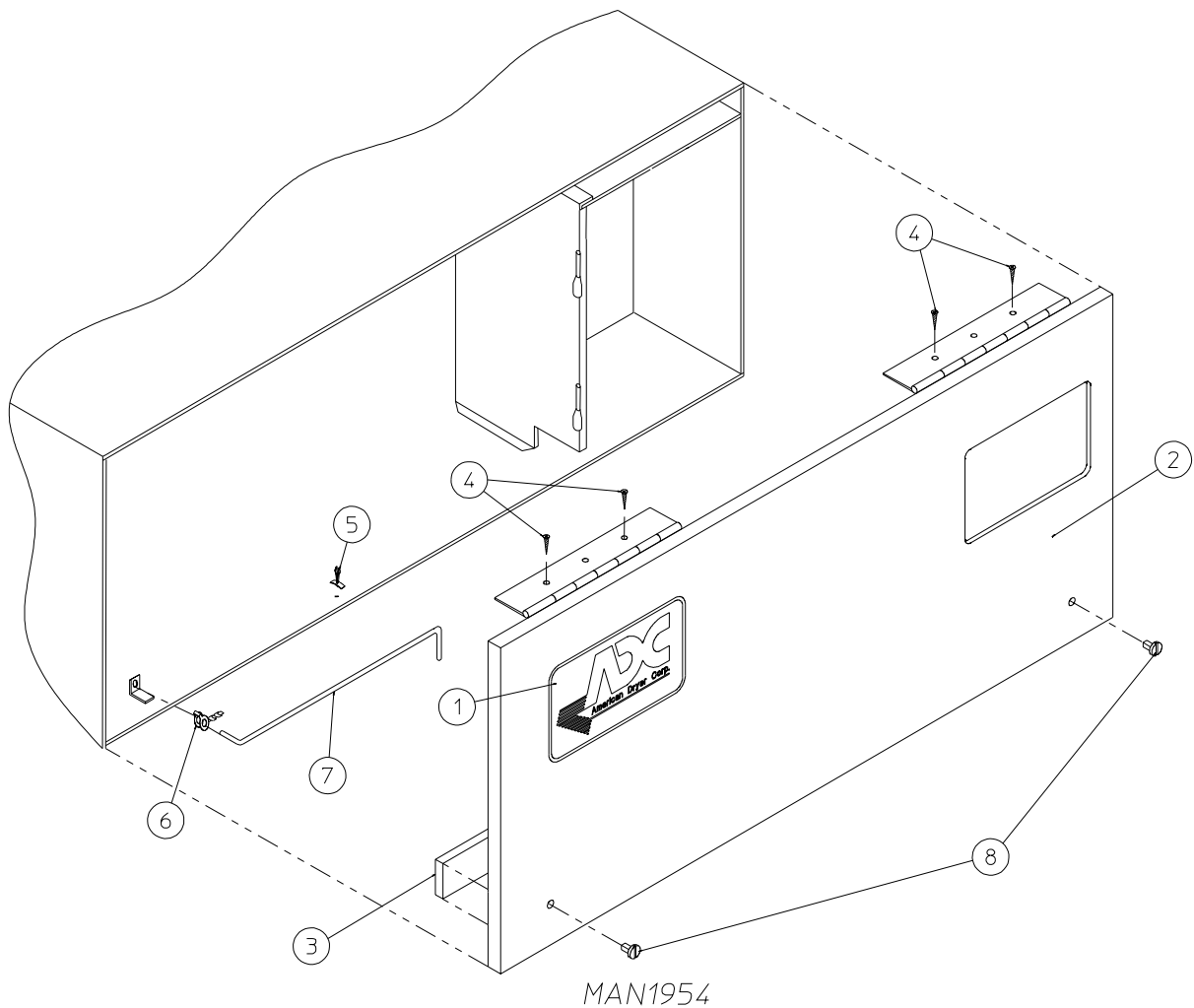
Information must be obtained from your local gas supplier on the instructions to be followed if the user smells gas. These instructions must be posted in a prominent location near the dryer.

Table of Contents

Control Door Assembly Without Trim	3
High Security Control Door Assembly	4
Phase 5 Coin Microprocessor Control Panel Assembly	5
Phase 5 OPL Microprocessor Control Panel Assembly	6
Phase 5 OPL and Coin Microprocessor Control Box Assembly	7
Coin Vault Assembly	8
Dual Timer “Tap Touch” Controls	9
Dual Timer Control Panel Assembly	10
Dual Timer Control Box Assembly	11
Non-Microprocessor Coin Meter Control Panel Assembly	12
Non-Microprocessor Coin Meter Control Box Assembly	13
Slide Meter Case Assembly	14
Slide Meter Control Box	15
Coin Meter Replacement Parts	16
Lint Trap Assembly	17
Drop Lint Door Assembly Without Trim	18
Drop Lint Door Assembly	19, 20
Main Door “Steel” Assembly	21
Plastic Main Door Assembly	22
Main Door Switch Assembly Cold Rolled Steel (CRS) Door	23
Plastic Main Door Switch Assembly	24
Cold Rolled Steel (CRS) Door Front Panel	25

Plastic Door Front Panel Assembly	26
Basket (Tumbler)/Support Assemblies	27
Basket (Tumbler) Bearing Assembly	28, 29
Idler Bearing Assembly	30, 31
Non-Reversing Totally Enclosed, Fan-Cooled (T.E.F.C.) Motor Mount Assembly	32, 33
Reversing Totally Enclosed, Fan-Cooled (T.E.F.C.) Motor Mount Assembly	34, 35
Sensor Bracket Assemblies	36, 37
Direct Spark Ignition (DSI) Burner Assembly	38, 39
Electric Oven Assembly	40, 41
Single-Phase (3 ϕ) Motor, Electric Relay Panel Assembly	42
3-Phase (3 ϕ) Motor, Electric Relay Panel Assembly	43
Microprocessor Reversing Rear Control Box Assembly	44
Dual Timer Reversing Rear Control Box Assembly	45
Steam Coil/Air Operated Steam Damper Assembly	46, 47
Steam Coil/Mechanical Steam Damper Assembly	48, 49
Sail Switch/Hi-Limit Assembly	50
Outer Top/Back Guard Assembly	51
Coin Acceptor Listing	52
Step Down Transformer Usage Listing for Gas/Steam Dryers	53
Transformer Usage Listing for Electric Dryers	54
Electric Oven Component Application Chart	55
Additional Parts Available	56

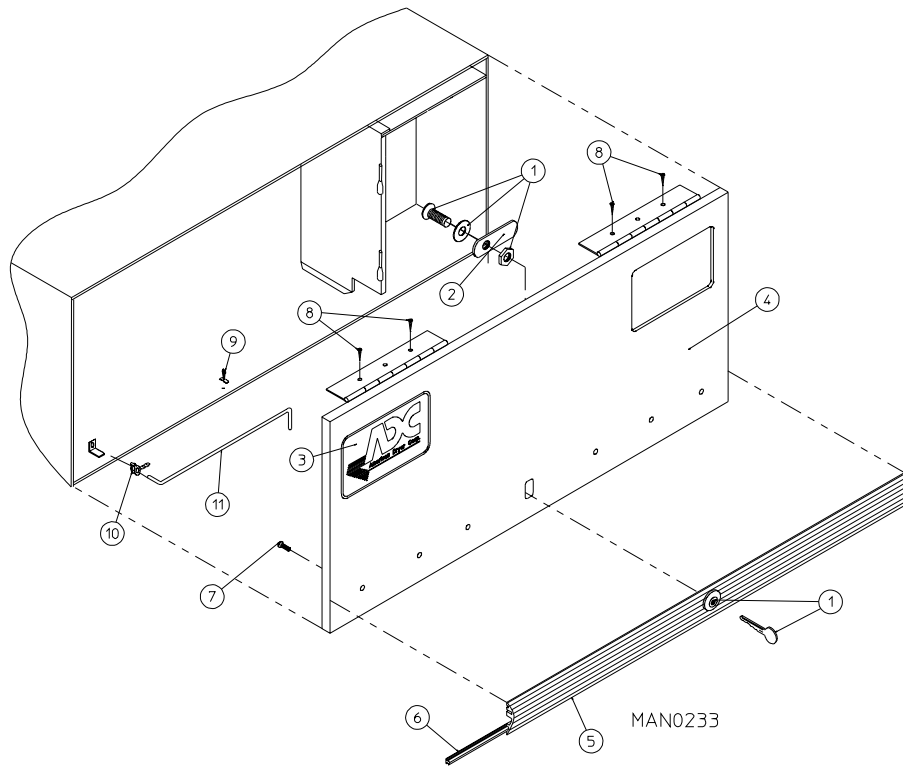
For OPL (Non-Coin) Models Mfd. as of July 19, 1999



<u>Illus. No.</u>	<u>Part No.</u>	<u>Qty.</u>	<u>Description</u>
1	881053	1	ADC Logo ONLY (with double adhesive tape)
	870011	1	Logo Double Adhesive Tape Kit ONLY
2	883097*	1	Control Door (includes illus. nos. 2 and 3)
	883120	1	Stainless Steel Control Door (includes illus. nos. 2 and 3)
3	117604	4	Neoprene Sponge Tape (sold by the foot)
4	150300	4	#10 x 1/2" Hex Washer TEK Screw
5	102603	1	Control Door Rod Support Catch
6	102601	1	Control Door Rod Retainer Clip
7	102502	1	Control Door Support Rod
8	882541	2	Spring Turn Latch Assembly

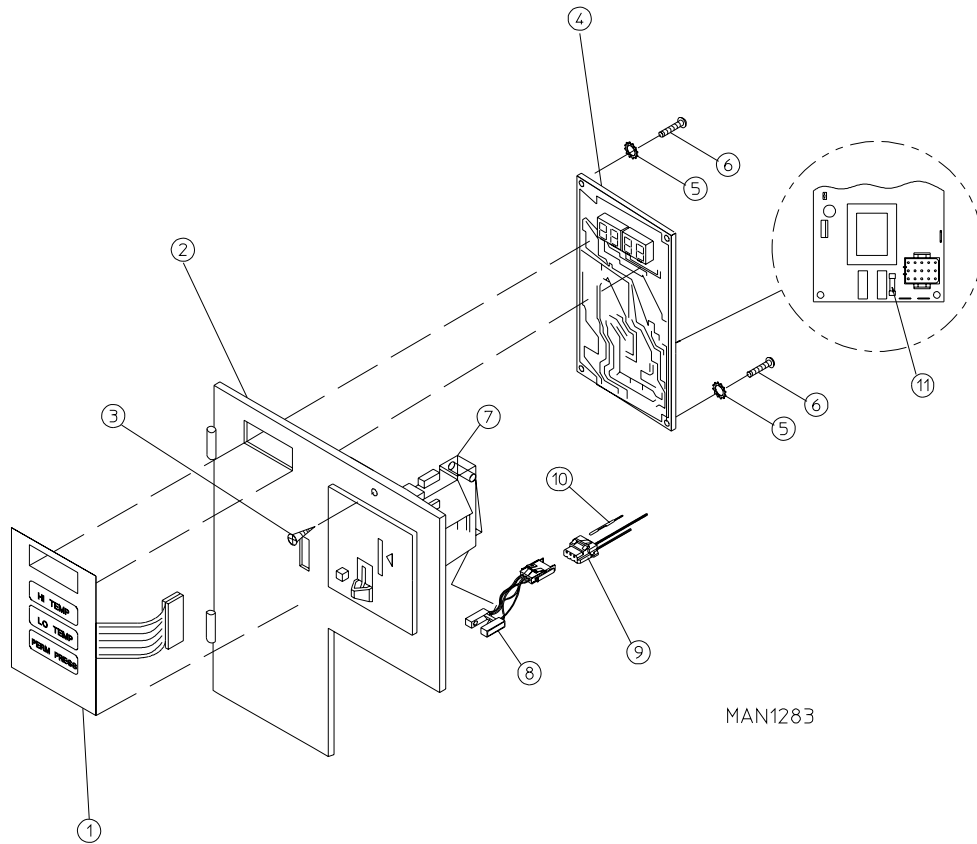
* Specify color when ordering.

For ALL Coin Models and ONLY OPL Models Mfd. prior to July 19, 1999



<u>Illus. No.</u>	<u>Part No.</u>	<u>Qty.</u>	<u>Description</u>
1	160015	1	High Security MK-100 Lock Assembly with Key (for Coin Models Only)
	160104	1	MK-100 Key ONLY
	160017	1	Special Dummy Lock ONLY (for Non-Coin Models Only)
2	160016	1	Lock Cam ONLY
3	881053	1	ADC Logo with Tape (for <u>ALL</u> Coin Models Only)
	881052	1	Metal ADC Logo with Tape (for <u>ALL</u> OPL Models Only)
	870011	1	Logo Double Tape Kit ONLY
4*	800023	1	High Security Control Door Assembly less Lock (includes illus. nos. 4 through 7)
	800140	1	High Security Stainless Steel Control Door Assembly Less Lock (includes illus. nos. 4 through 7)
5	180200	1	Top Trim with Lock Hole
6	117603	3	Trim Bumper Gasket (sold by the foot)
7	150201	5	#10-32 x 1/4" Phillips Round Head Machine Screw
8	150300	4	#10 x 1/2" Hex Washer TEK Screw
9	102600	1	Control Door Support Rod Catch
10	102601	1	Control Door Rod Retainer Clip
11	102502	1	Control Door Support Rod

* Specify color when ordering.

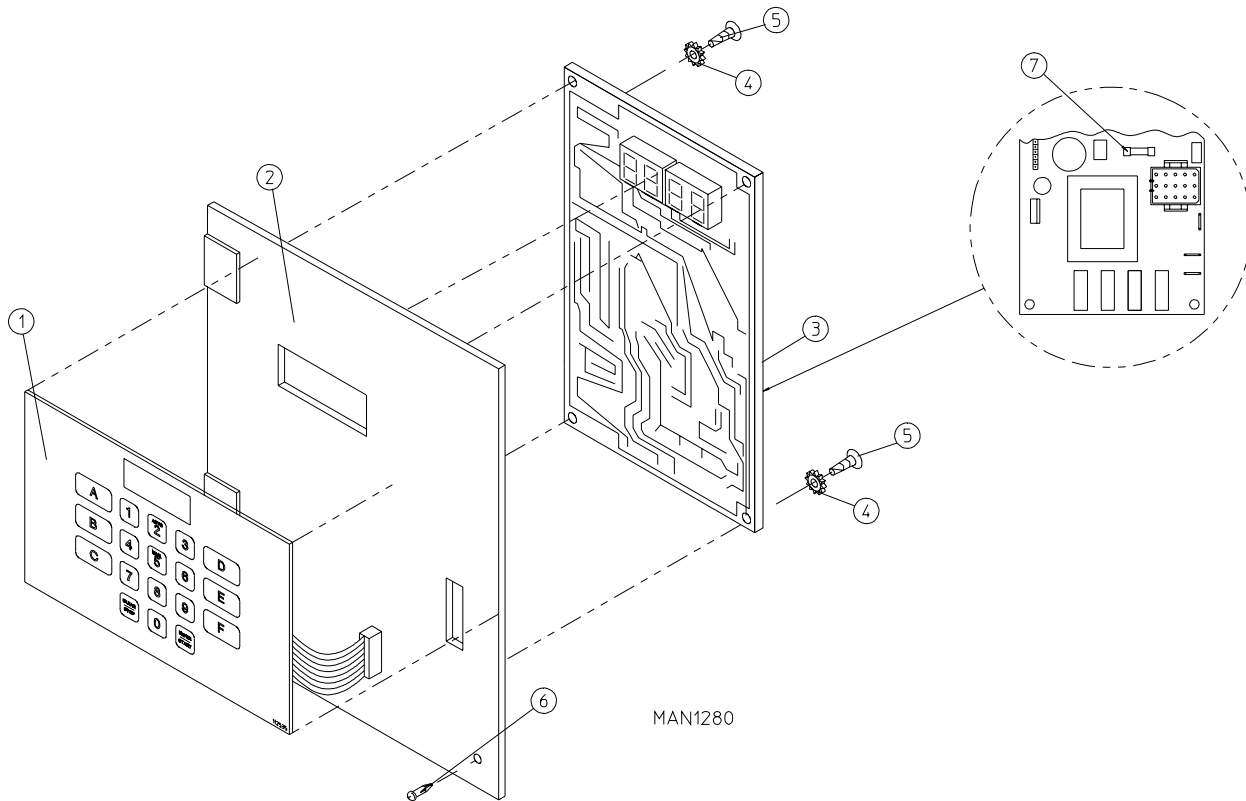


MAN1283

<u>Illus. No.</u>	<u>Part No.</u>	<u>Qty.</u>	<u>Description</u>
1	112526	1	Coin Keyboard Label Assembly
2	801213	1	Phase 5 Coin Control Panel Assembly (includes illus. nos. 1, 2, 4 through 6, and 11)
	801229	1	Phase 5 Coin Control Panel Assembly with Battery Option (includes illus. nos. 1, 2, 4 through 6, and 11)
	801259	1	Coin Control Panel ONLY
	801258	1	Coin Control Panel with Battery Bracket
3	150309	1	#10-16 x 1/2" Hex Head TEK Crimptite Screw
4	137213	1	Phase 5 Coin Microprocessor Controller (computer) ONLY
	824998	1	Phase 5 Battery Clip
5	153010	2	#6 Star Washer
6	150005	2	#6-32 x 1/4" Phillips Round Head Machine Screw
7	-----	1	Microprocessor Coin Acceptor with Optical Switch (refer to Microprocessor Coin Acceptor Listing on page 52)
8	137056	1*	Optic Switch ONLY
9	137023	1*	Optic Switch Connector ONLY
10	137021	3*	Microprocessor Socket ONLY
	880772	1	Single Coin Optical Switch Harness
	824080	1	Dual Coin Optical Switch Harness
	122800	1	Microprocessor (female) Pin Extraction Tool
11	136048	1	1/8-Amp (Slo Blo) Fuse

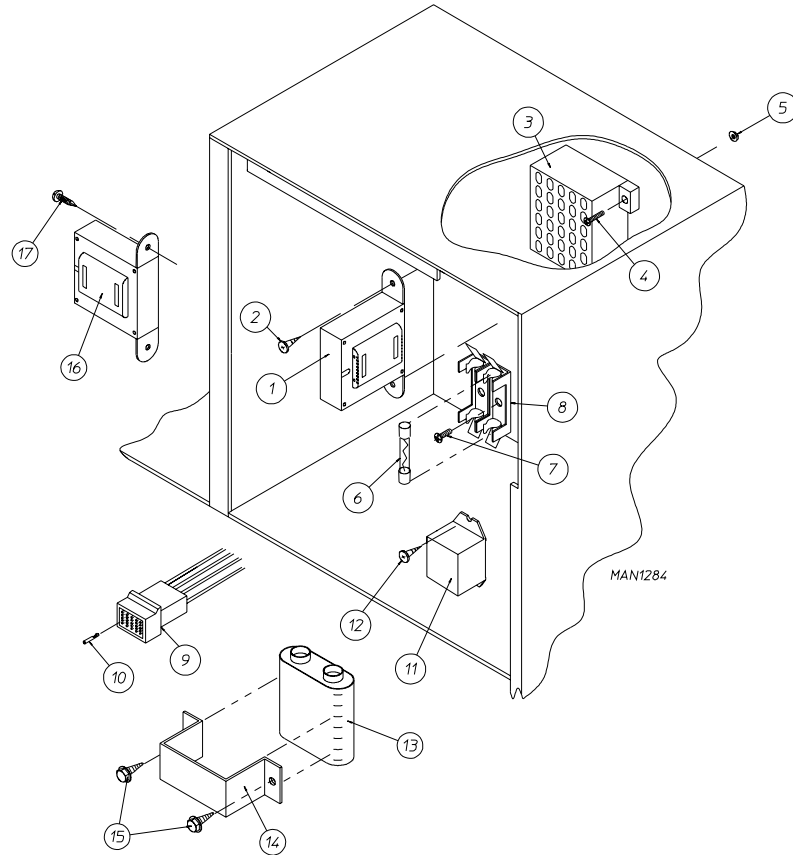
* For Dual Coin Models double the quantity.

IMPORTANT: Check label on computer chip to verify correct part number for controller.



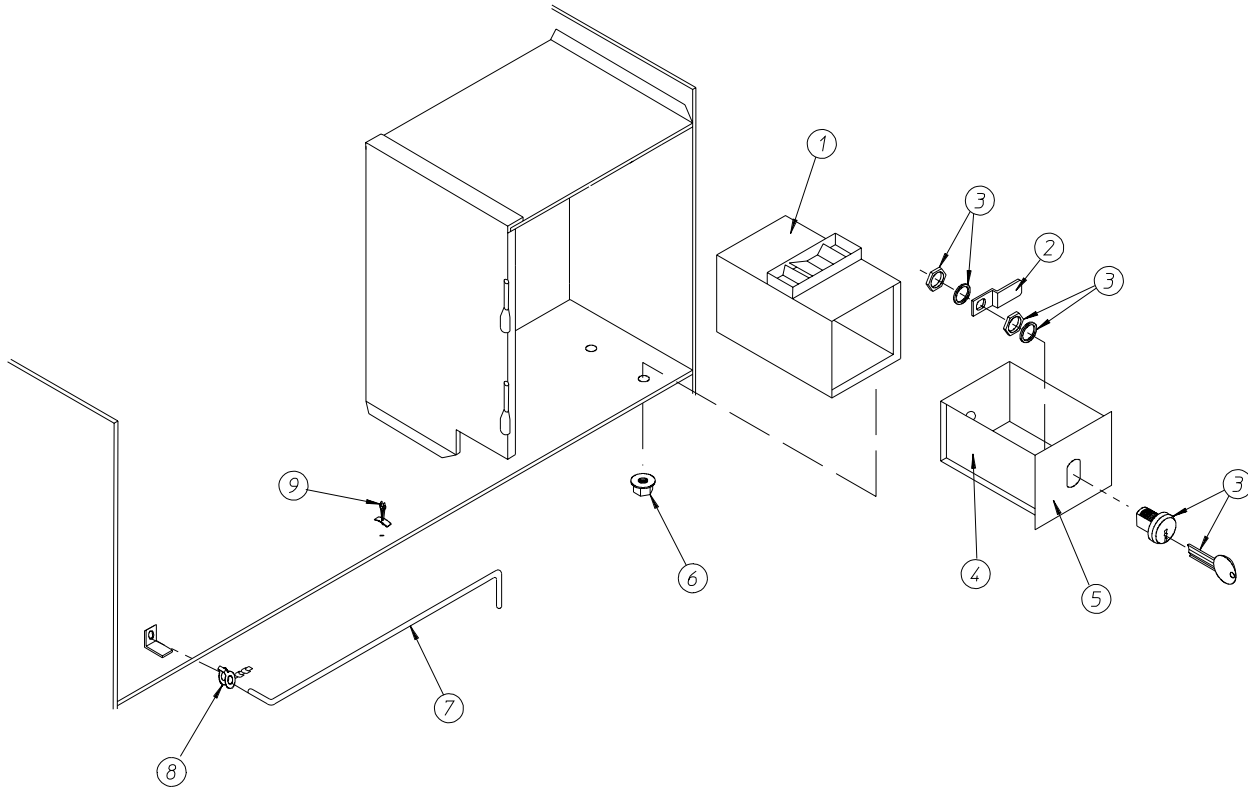
<u>Illus. No.</u>	<u>Part No.</u>	<u>Qty.</u>	<u>Description</u>
1	112535	1	OPL English Keyboard Label Assembly
	112276	1	OPL Stick-on Labels (English Only)...Not Illustrated
	112275	1	OPL Stick-on Labels (Spanish, Italian, and Hebrew)...Not Illustrated
	112277	1	3-Language OPL Stick-on Labels (English, Spanish, and Hebrew)...Not Illustrated
	112278	1	5-Language OPL Stick-on Labels (Italian, Dutch, French, German, and Chinese)...Not Illustrated
2	801255	1	Phase 5 Microprocessor Control Panel ONLY
	801256	1	Phase 5 Microprocessor Control Panel ONLY with Battery Bracket
	801206	1	Phase 5 OPL Non-Reversing Microprocessor Control Panel Assembly Complete (includes illus. nos. 1 through 6 and 7)
	801207	1	Phase 5 OPL Reversing Microprocessor Control Panel Assembly Complete (includes illus. nos. 1 through 6 and 7)
3	137222	1	Phase 5 OPL Non-Reversing Microprocessor Controller (computer) ONLY
	137231	1	Phase 5 OPL Reversing Microprocessor Controller (computer) ONLY
	824998	1	Phase 5 Battery Clip
4	153010	2	#6 Star Washer
5	150005	2	#6-32 x 3/4" Phillips Round Head Machine Screw
6	150309	1	#10-16 x 1/2" Hex Head TEK Crimptite Screw
7	136048	1	1/8-Amp (Slo Blo) Fuse

IMPORTANT: Check label on computer chip to verify correct part number for controller (computer).



<u>Illus. No.</u>	<u>Part No.</u>	<u>Qty.</u>	<u>Description</u>
1	-----	1	Transformer - 24 VAC (refer to Transformer Usage Listings on page 53 and page 54)
2	150300	2	#10 x 1/2" Hex Washer TEK Screw
3	120715	1	30-Position Terminal Block
4	150002	2	#6-32 x 1" Slotted Round Head Machine Screw
5	151000	2	#6-32 Pal Nut
6	136057	*	1/2-Amp (Slo Blo) Fuse
7	150301	*	#8 x 7/16" Phillips Pan Head TEK Screw
8	136008	*	Fuse Block/Strip ONLY
9	122641	1	15-Pin Microprocessor Connector
10	122706	*	Socket
11	131931	1	Steam Valve Relay - 24 VAC (for Mechanical Steam Damper Models Only)
12	150309	2	#10-16 x 1/2" Hex Head TEK Crimptite Screw
13	137035	1	Motor Capacitor (for Mechanical Steam Damper Models Only)
14	323583	1	Capacitor Bracket (for Mechanical Steam Damper Models Only)
15	150300	2	#10 x 1/2" Hex Washer TEK Screw
16	132002	1	Transformer (for Mechanical Steam Damper with 208 volt and higher models)
17	150300	2	#10 x 1/2" Hex Washer TEK Screw

* As required.

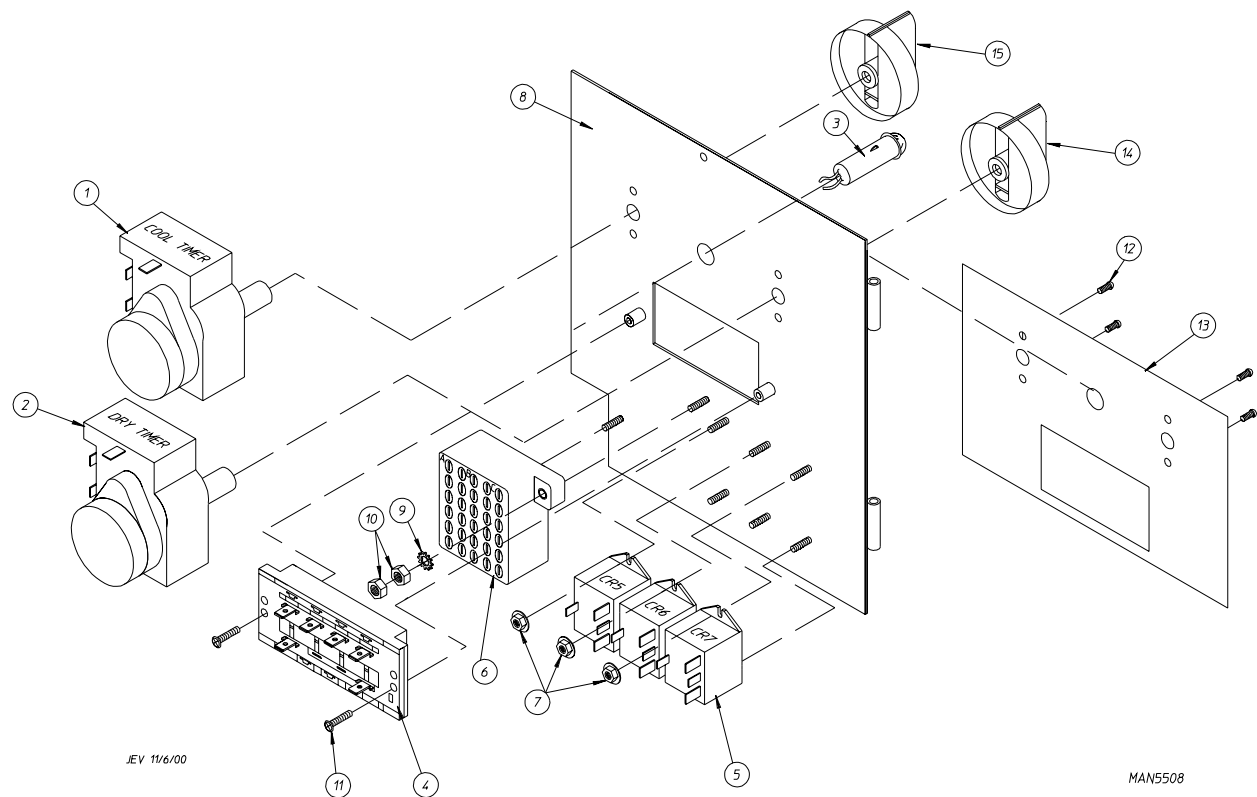


MAN1734

<u>Illus. No.</u>	<u>Part No.</u>	<u>Qty.</u>	<u>Description</u>
1	802112	1	Microprocessor Coin Vault Assembly Complete (includes illus. nos. 1 through 6)
	802117	1	Microprocessor Coin Vault ONLY
	802110	1	Non-Microprocessor Coin Vault Assembly Complete (includes illus. nos. 1 through 6)
	802115	1	Non-Microprocessor Coin Vault ONLY
2	160006	1	Cam for 1/4 Turn Lock ONLY
3	875061	1	1/4 Turn Lock with Key and Cam
	160105*	1	1/4 Turn Mer-Pel Key ONLY
4	802020	1	1/4 Turn Coin Box Assembly (includes illus. nos. 2 through 5)
	802019	1	1/4 Turn Coin Box ONLY without Face Plate
	125915	1	High Security (Greenwald) Coin Box ONLY with Key
5	802018	1	1/4 Turn Coin Box Face Plate Assembly (includes illus. nos. 2 through 5)
6	152014	4	1/4-20 Free Spin Wash Nut
7	102502	1	Control Door Support Rod
8	102601	1	Control Door Rod Retainer Clip
9	102600	1	Control Door Rod Catch

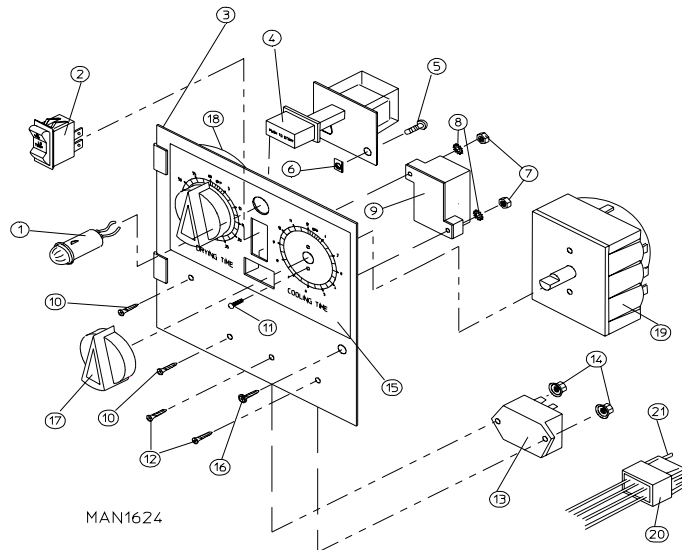
* Specify key number when ordering.

For Models Mfd. as of November 1, 2000

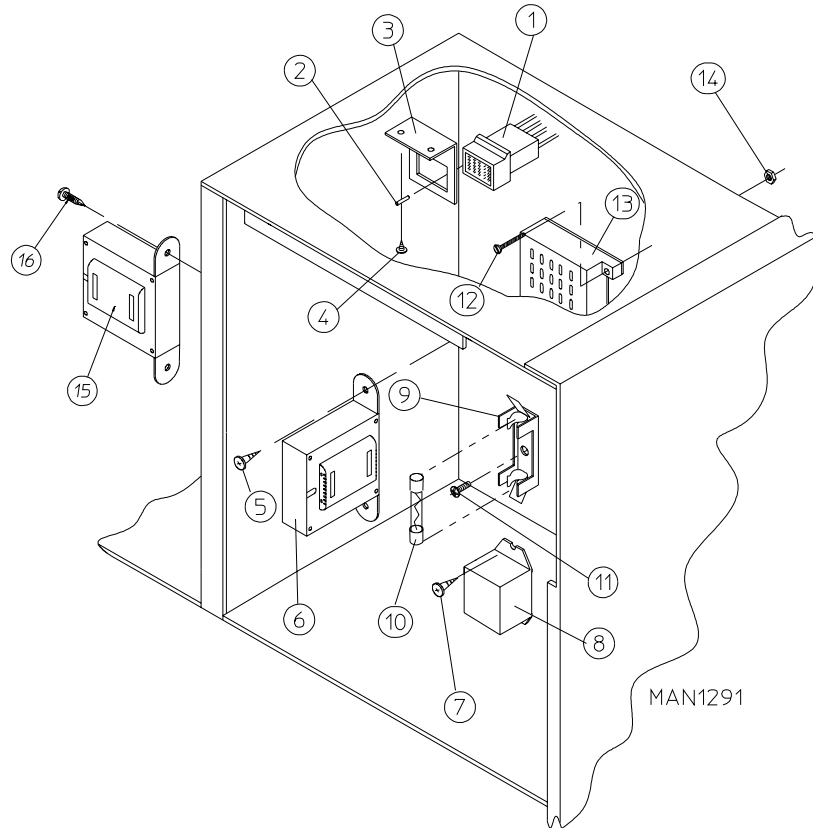


<u>Illus. No.</u>	<u>Part No.</u>	<u>Qty.</u>	<u>Description</u>
1	824298	1	15 Minute Timer - 24 VAC
2	824299	1	60 Minute Timer - 24 VAC
3	824175	1	Red Pilot Light - 24 VAC
4	122301	1	"Tap Touch" Switch
5	131932	3	Relay SPST 24v
6	120730	1	30-Position Terminal Block
7	151000	6	#6-32 Pal Nut
8	882903	1	Dual Timer Panel Complete (includes illus. nos. 1 through 15)
	850392	-	Dual Timer Panel ONLY
9	153010	2	#6 Star Washer
10	152000	3	#6-32 Hex Nut
11	150207	2	#10-24 x 1/2" Phillips Pan Head Machine Screw
12	150110	4	#8-32 x 1/4" Phillips Round Head Machine Screw
13	112563	1	Dual Timer Panel Overlay
14	124104	1	Pure Touch Knob with Red Pointer
15	124105	1	Pure Touch Knob with Blue Pointer

For Models Mfd. prior to November 1, 2000



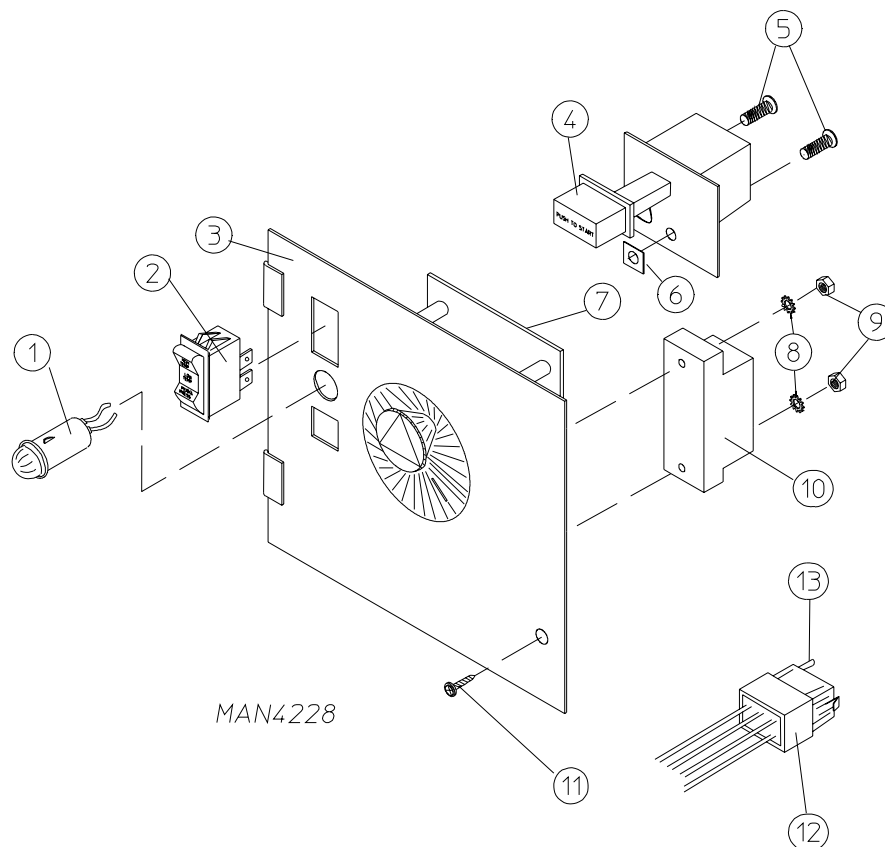
<u>Illus. No.</u>	<u>Part No.</u>	<u>Qty.</u>	<u>Description</u>
1	123005	1	Red Indicator Light - 24 VAC
2	122400	1	Rocker Heat Selector Switch
3	824015	1	Dual Timer Control Panel Assembly Complete - 24 VAC (includes illus. nos. 1 through 21)
	800051	1	Dual Timer Control Panel ONLY
4	131917	1	Push-to-Start Relay - 24 VAC
5	150207	2	#10-24 x 1/2" Round Head Machine Screw
6	154001	2	#10-24 Speed Nut
7	152000	2	#6-32 Hex Nut
8	153010	2	#6 Star Washer
9	120713	1	18-Position Terminal Block
10	150002	2	#6-32 x 1" Round Head Machine Screw
11	150110	4	#8-32 x 1/4" Phillips Machine Screw
12	150001	2	#6-32 x 1/2" Round Head Machine Screw
13	131931	1	Dual Timer Relay - 24 VAC
14	151000	2	#6-32 Pal Nut
15	112050	1	Dual Timer Label ONLY
16	150309	1	#10-16 x 1/2" Hex Head TEK Crimptite Screw (for models mfd. as of March 1, 1994)
	160005	1	2-Piece Spring Turn Latch (for models mfd. as of March 1, 1994)
17	124103	2	Arrow Timer - 24 VAC
18	124025	1	60-Minute Timer - 24 VAC
19	124030	1	15-Minute Timer - 24 VAC
20	122602	1	9-Pin Connector ONLY
21	122700	8	Pin Terminal ONLY
---	122801	1	Pin/Socket Extraction Tool



<u>Illus. No.</u>	<u>Part No.</u>	<u>Qty.</u>	<u>Description</u>
1	122603	1	9-Pin Socket Connector
2	122701	9	Socket Terminal ONLY
	122801	1	Pin/Socket Extraction Tool
3	315010	1	9-Pin Connector Bracket
4	150300	2	#10 x 1/2" Hex Washer TEK Screw
5	150300	2	#10 x 1/2" Hex Washer TEK Screw
6	-----	1	Transformer - 24 VAC (refer to Transformer Usage Listings on page 53 and page 54)
7	150309	2	#10-16 x 1/2" Hex Head TEK Crimptite Screw
8	131931	1	Steam Valve Relay - 24 VAC (for Mechanical Steam Damper Models Only)
9	136008	*	Fuse Block/Strip ONLY
10**	136057	*	1/2-Amp (Slo Blo) Fuse
11	150301	*	#8 x 7/16" Phillips Pan Head TEK Screw
12	150002	2	#6-32 x 1" Slotted Round Head Machine Screw
13	120715	1	30-Position Terminal Block
14	151000	2	#6-32 Pal Nut
15	132002	1	Transformer (for Mechanical Steam Damper with 208 volt and higher models)
16	150300	2	#10 x 1/2" Hex Washer TEK Screw

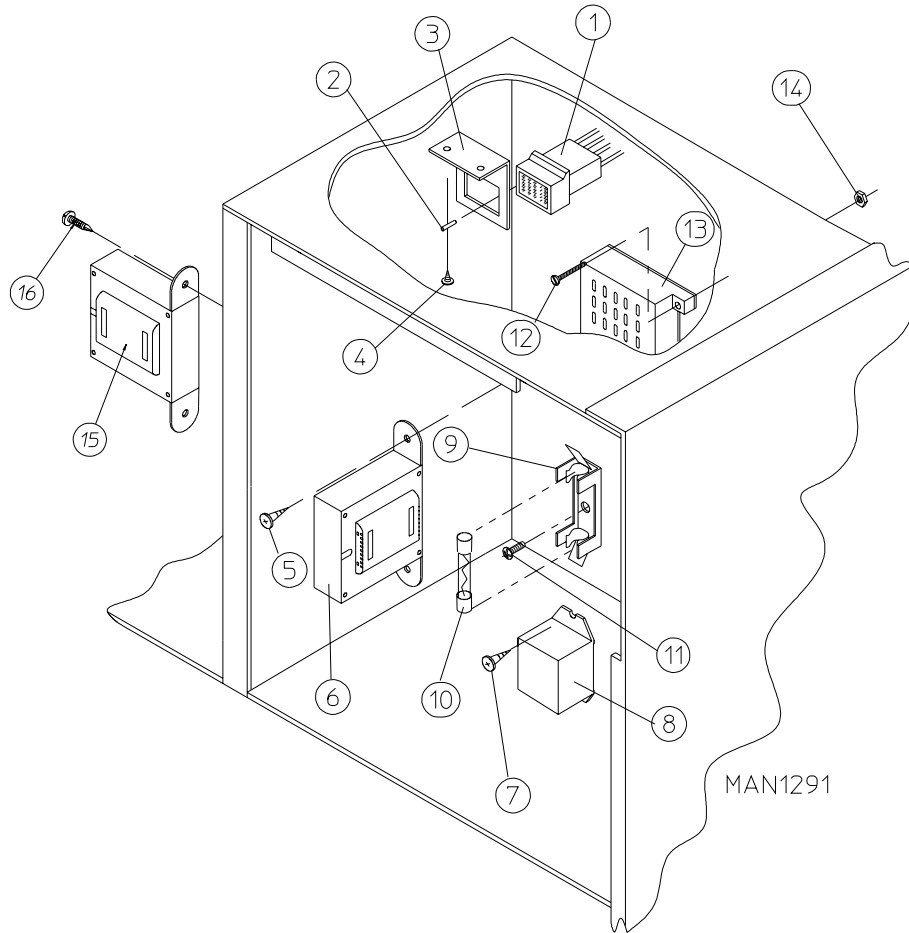
* As required.

** Check fusing on dryer for verification.



<u>Illus. No.</u>	<u>Part No.</u>	<u>Qty.</u>	<u>Description</u>
1	123005	1	Red Indicator Light - 24 VAC
2	122400	1	Rocker Heat Selector Switch
3	824020	1	Coin Meter Control Panel Assembly Complete - 24 VAC (includes illus. nos. 1 through 6 and 8 through 12)
	800054	1	Coin Meter Control Panel ONLY
4	131917	1	Push-to-Start Relay - 24 VAC
5	150207	2	#10-24 x 1/2" Round Head Machine Screw
6	154001	2	#10-24 Speed Nut
7*	125601	1	25¢ Coin Meter - 24 VAC (specify timing)
8	153010	2	#6 Star Washer (for models mfd. as of December 11, 1998)
9	152016	2	#4-40 Hex Nut (for models mfd. as of December 11, 1998)
	150303	2	#4 x 3/4" Pan Head "A" Screw...Not Illustrated (for models mfd. prior to December 11, 1998)
10	120712	1	12-Position Terminal Block
11	150309	1	#10-16 x 1/2" Hex Head TEK Crimptite Screw
	160005	1	2-Piece Spring Turn Latch (used on models mfd. prior to March 1, 1994)
12	122602	1	9-Pin Connector ONLY
13	122700	9	Pin Terminal ONLY
--	122801	1	Pin/Socket Extraction Tool

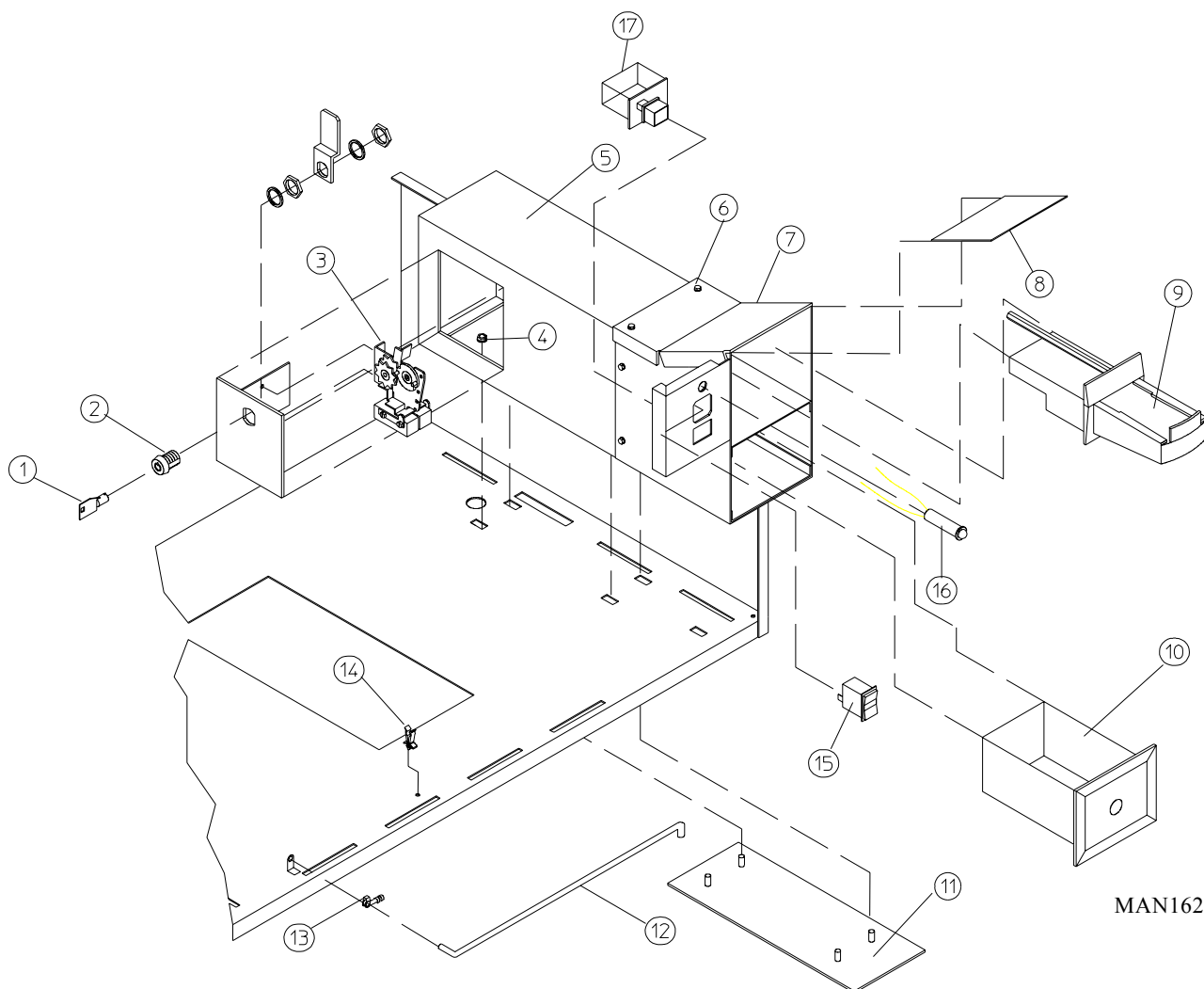
* Consult factory for coin meters not listed.



<u>Illus. No.</u>	<u>Part No.</u>	<u>Qty.</u>	<u>Description</u>
1	122603	1	9-Pin Socket Connector
2	122701	9	Socket Terminal ONLY
	122801	1	Pin/Socket Extraction Tool
3	315010	1	9-Pin Connector Bracket
4	150300	2	#10 x 1/2" Hex Washer TEK Screw
5	150300	2	#10 x 1/2" Hex Washer TEK Screw
6	-----	1	Transformer - 24 VAC (refer to Transformer Usage Listings on page 53 and page 54)
7	150309	2	#10-16 x 1/2" Hex Head TEK Crimptite Screw
8	131931	1	Steam Valve Relay - 24 VAC (for Mechanical Steam Damper Models Only)
9	136008	*	Fuse Block/Strip ONLY
10**	136057	*	1/2 Amp (Slo Blo) Fuse
11	150301	*	#8 x 7/16" Phillips Pan Head TEK Screw
12	150002	2	#6-32 x 1" Slotted Round Head Machine Screw
13	120715	1	30-Position Terminal Block
14	151000	2	#6-32 Pal Nut
15	132002	1	Transformer (for Mechanical Steam Damper with 208 volt and higher models)
16	150300	2	#10 x 1/2" Hex Washer TEK Screw

* As required.

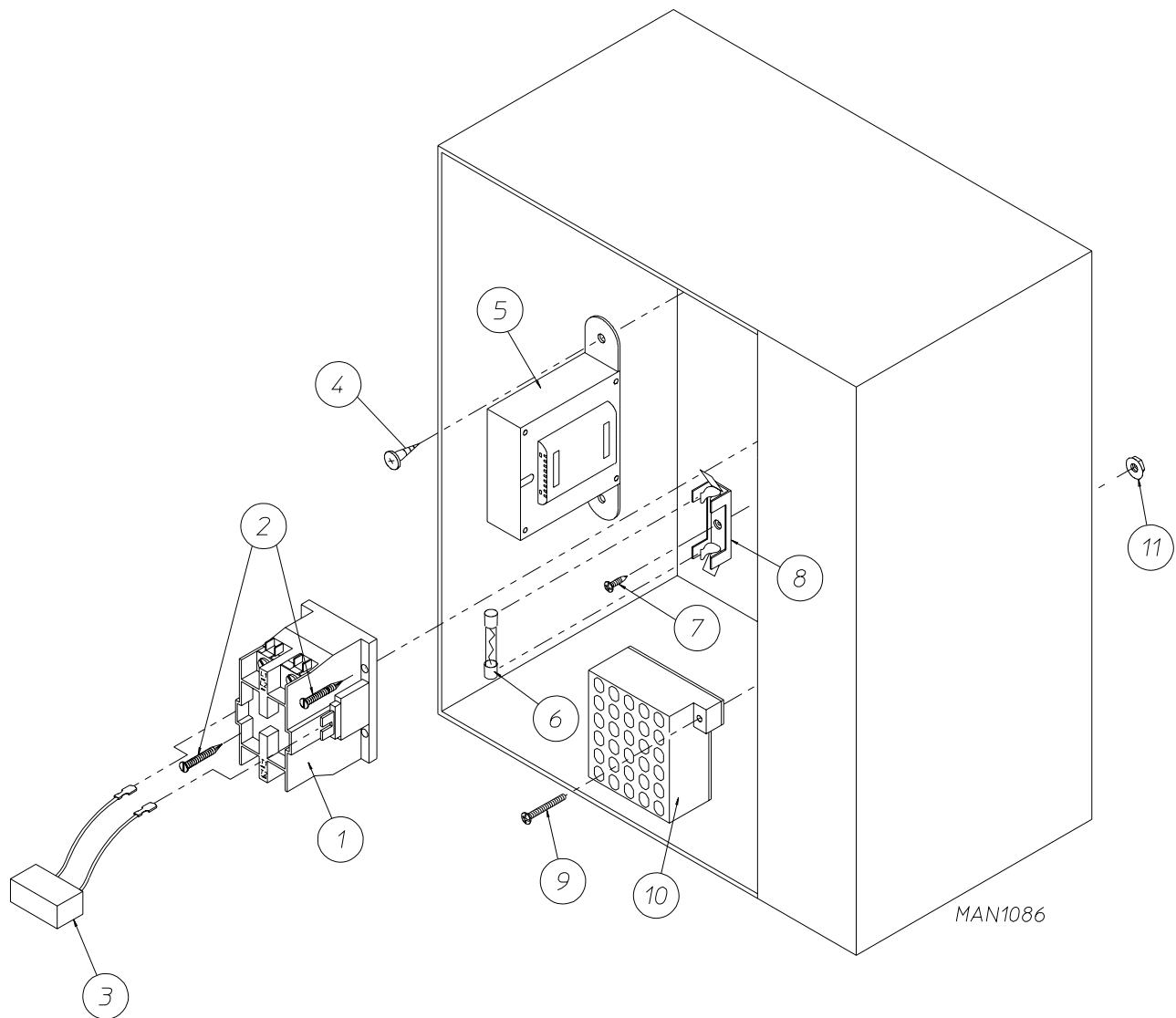
** Check fusing on dryer for verification.



MAN1625

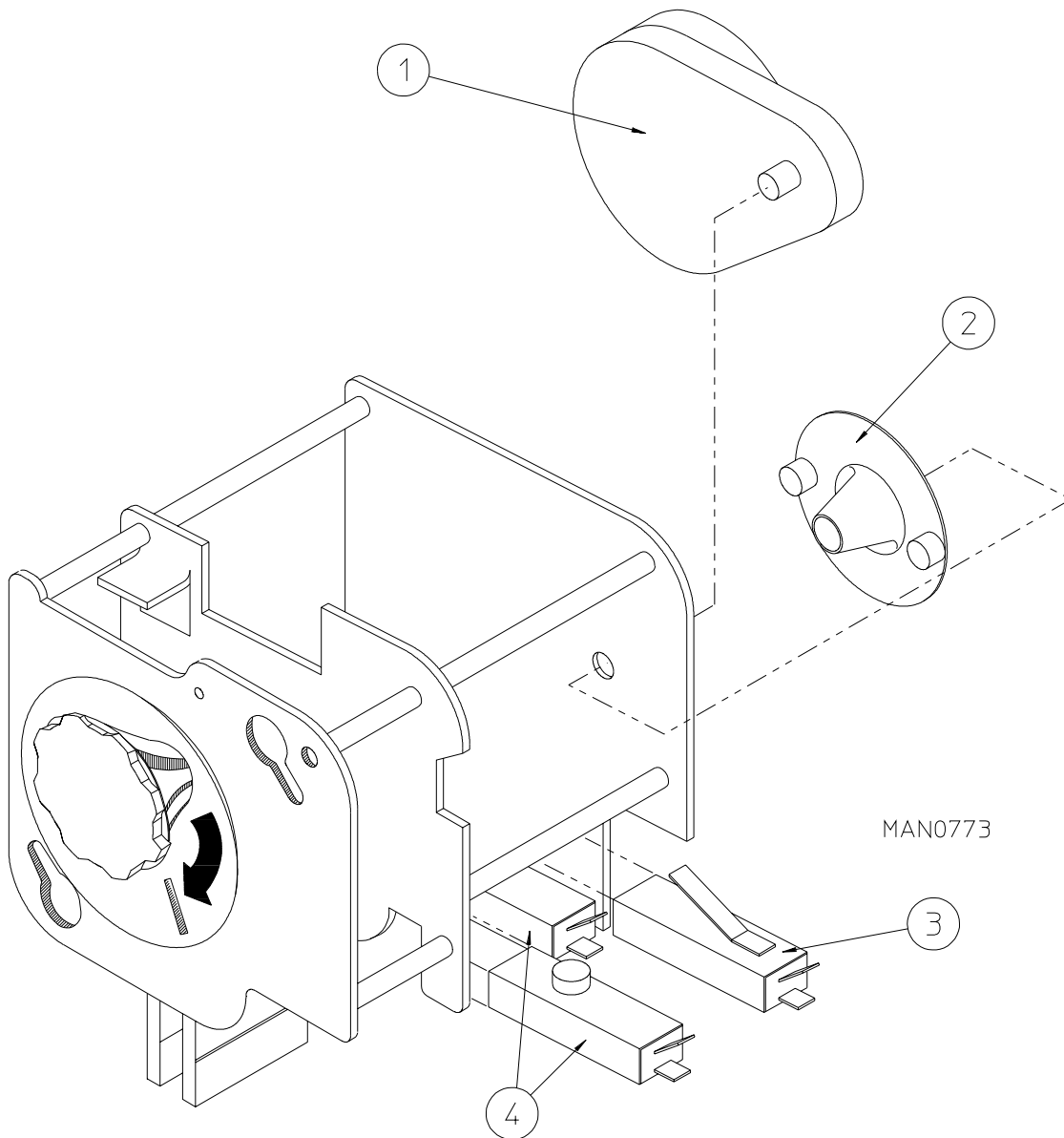
Illus. No.	Part No.	Qty.	Description
1*	160199	1	Key ONLY for Slide Meter Lock
2	160099	1	Lock/Key/Cam and Hardware
3	125908	1	Slide Meter Accumulator - 24 VAC
4	152014	4	1/4-20 Free Spin Wash Nut
5	125900	1	Slide Meter Case ONLY with Door Less Locks
6	154203	6	1/4" Drive Rivet
7	801700	1	Slide Meter Extension ONLY with Mirror (includes illus. nos. 7 and 8)
8	315404	1	Stainless Steel Mirror ONLY
9	-----	1	Typical Slide Meter Coin Chute (<i>not available from ADC</i>)
10	-----	1	Typical Slide Meter Coin Box (<i>not available from ADC</i>)
11	801701	1	Slide Meter Case Mounting Plate
12	102502	1	Control Door Support Rod
13	102601	1	Control Door Rod Retainer Clip
14	102600	1	Control Door Support Rod Catch
15	122400	1	Rocker Heat Selector Switch
16	123005	1	Red Indicator Light - 24 VAC
17	131917	1	Push-to-Start Relay - 24 VAC

* Specify key number when ordering.

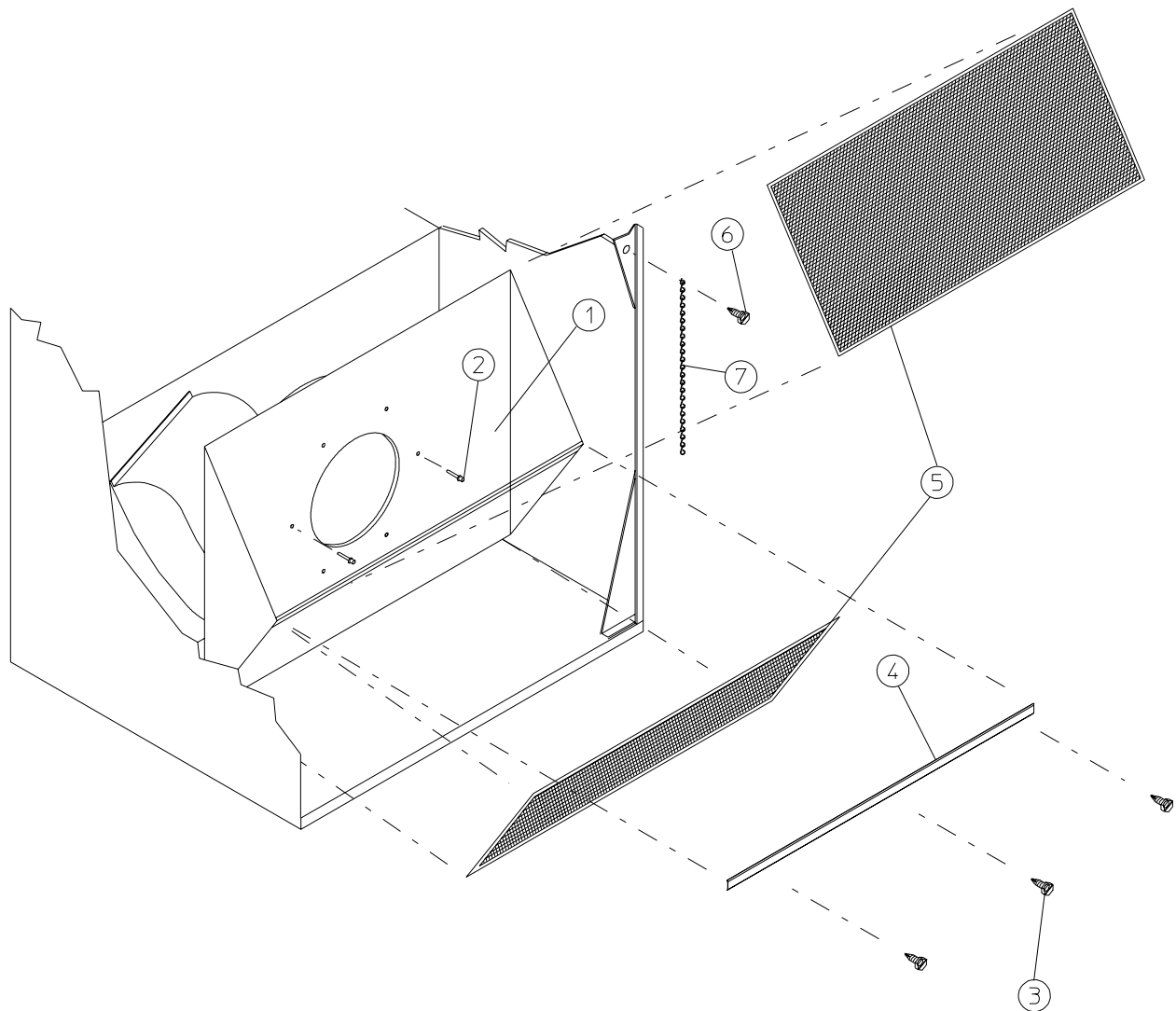


<u>Illus. No.</u>	<u>Part No.</u>	<u>Qty.</u>	<u>Description</u>
1	132451	1	2-Pole Contactor - 24 VAC
2	150299	2	#10 x 1" Hex Head Screw
3	824828	1	RC Network with Connectors
4	150300	2	#10 x 1/2" Hex Washer TEK Screw
5	-----	1	24 VAC Control Voltage Transformer (refer to Transformer Usage Listings on page 53 and page 54)
6	136057	*	1/2 Amp (Slo-Blo) Fuse
7	150301	*	#8 x 7/16" Phillips Pan Head TEK Screw
8	136008	*	Fuse Block/Strip ONLY
9	150002	2	#6-32 x 1" Round Head Machine Screw
10	120715	1	30-Position Terminal Block
11	151000	2	#6-32 Pal Nut
--	322809	1	Back Electrical Box Cover...Not Illustrated
--	150301	4	#8-18 x 7/16" Phillips Pan Head TEK Screw...Not Illustrated

* As required.



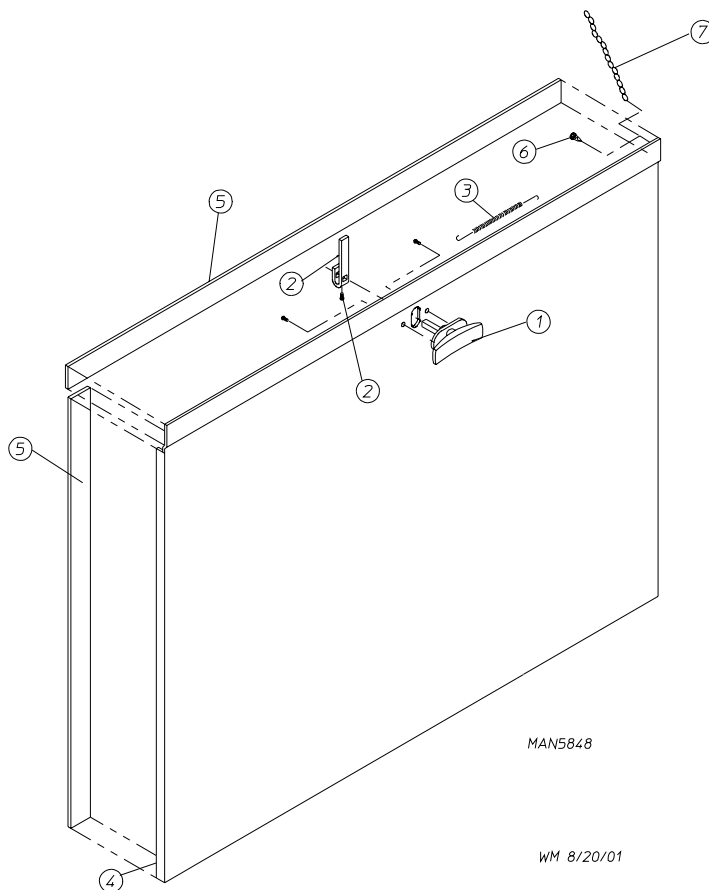
<u>Illus. No.</u>	<u>Part No.</u>	<u>Qty.</u>	<u>Description</u>
1	125541	1	1/60 RPM - 60 Hz Meter Motor - 24 VAC
	125540	1	1/30 RPM - 50 Hz Meter Motor - 24 VAC
2	125500	1	2-Point Cam
	125501	1	3-Point Cam
	125502	1	4-Point Cam
	125503	1	5-Point Cam
	125504	1	6-Point Cam
	125506	1	8-Point Cam
	125507	1	9-Point Cam
	125508	1	10-Point Cam
	125510	1	12-Point Cam
	3	125515	1
4	125516	2	Meter Switch "A" or "C"



MAN0275

Illus. No.	Part No.	Qty.	Description
1	880914	1	Lint Trap Assembly Complete (includes illus. nos. 1 and 3 through 5)
	880913	1	Lint Trap ONLY
2	154200	7	5/32" Pop Rivet
3	150300	3	#10 x 1/2" Hex Washer TEK Screw
4	304100	1	Lint Screen Hold Down
5	800500	2	Lint Screen ONLY
6	150419	2	#6 x 1/2" Tamperproof TEK Screw
7	108120	1	Chain For Drop Lint Door
-	150418	1	Tamperproof Screw Hand Driver

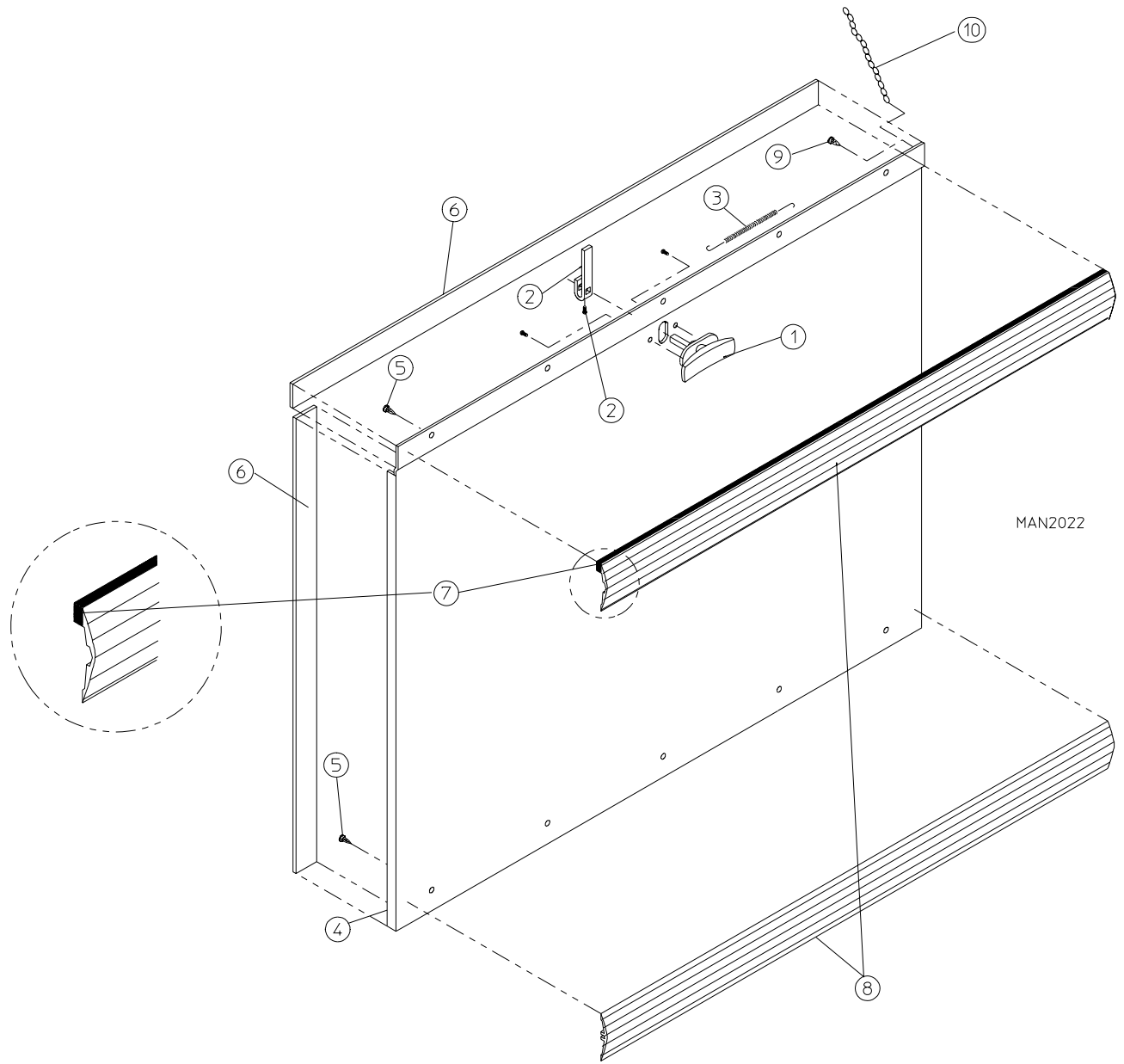
For OPL (Non-Coin) Models Mfd. as of July 19, 1999



<u>Illus. No.</u>	<u>Part. No.</u>	<u>Qty.</u>	<u>Description</u>
1	800150	1	Knob Latch Kit Assembly (includes illus. nos. 1 and 2)
	160001	1	AD-100 Lock Assembly with Key (for coin models Only)
	160103	1	AD-100 Key ONLY
	160003	1	Dummy Lock ONLY (for non-coin models)
	160104	1	MK-100 Key ONLY (for dummy lock)
2	160008	1	Lock Cam For AD-100 and Dummy Lock
	160009	1	Knob Latch Adjustable Cam ONLY
	150425	1	#12-24 x 3/8" Round Head Machine Screw ONLY (screw for knob latch adjustable cam)
3	157000	1	Drop Lint Door Spring
4	883098	1	Insulated Drop Lint Door Assembly (includes illus. nos. 4 and 5)
5	117604	7	Neoprene Sponge Tape (sold by the foot)
6	150419	2	#6 x 1/2" Tamperproof TEK Screw
7	108120	1	Chain For Drop Lint Door (10-1/2" length)
-	150418	1	Tamperproof Screw Hand Driver

* Specify color when ordering.

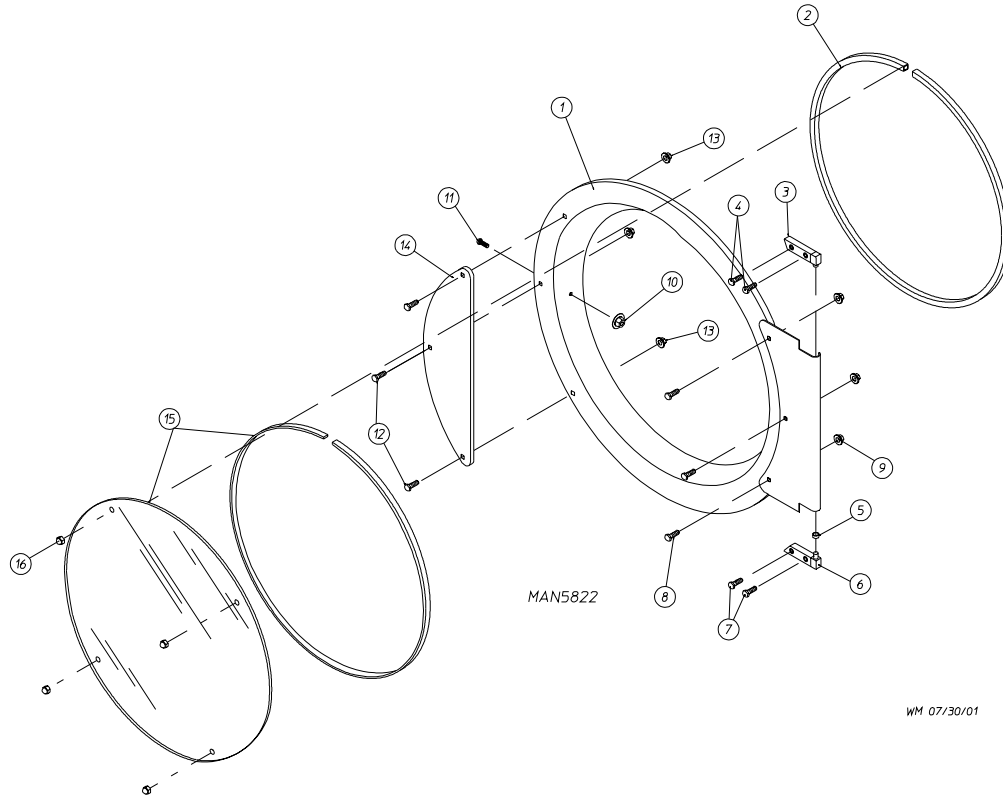
For ALL Coin Models and ONLY OPL Models Mfd. prior to July 19, 1999



<u>Illus. No.</u>	<u>Part No.</u>	<u>Qty.</u>	<u>Description</u>
1	160001	1	AD-100 Lock Assembly with Key
	160103	1	AD-100 Key ONLY
	800150	1	Knob Latch Kit Assembly (for non-coin models Only) (includes illus. nos. 1 and 2)
	160003	1	Dummy Lock ONLY (for non-coin models Only)
2	160104	1	MK-100 Key ONLY
	160008	1	Lock Cam for AD-100 Lock
	160009	1	Knob Latch Adjustable Cam (for non-coin models Only)
	150425	1	#12-24 x 3/8" Round Head Machine Screw (for knob latch adjustable cam)
3	157000	1	Drop Lint Door Spring
4	800216*	1	Drop Lint Door Assembly (includes illus. nos. 4 through 8)
	800233*	1	Insulated Drop Lint Door Assembly (includes illus. nos. 4 through 8)
	800240	1	Stainless Steel Drop Lint Door Assembly
5	150201	10	#10-32 x 1/4" Phillips Pan Head Machine Screw
6	117604	7	Neoprene Sponge Tape (sold by the foot) (for models mfd. as of August 6, 1998)
	117600	7	Noise Suppressor Tape (sold by the foot) (for models mfd. prior to August 6, 1998)
7	117603	3	Suppressor Tape/Gasket (sold by the foot) (for models mfd. as of February 8, 1995)
8	180210	2	Trim/Kick Plate (31-1/8" length)
9	150419	2	#6 x 1/2" Tamperproof Screw
	150418	1	Tamperproof Screw Hand Driver
10	108120	1	Chain For Drop Lint Door

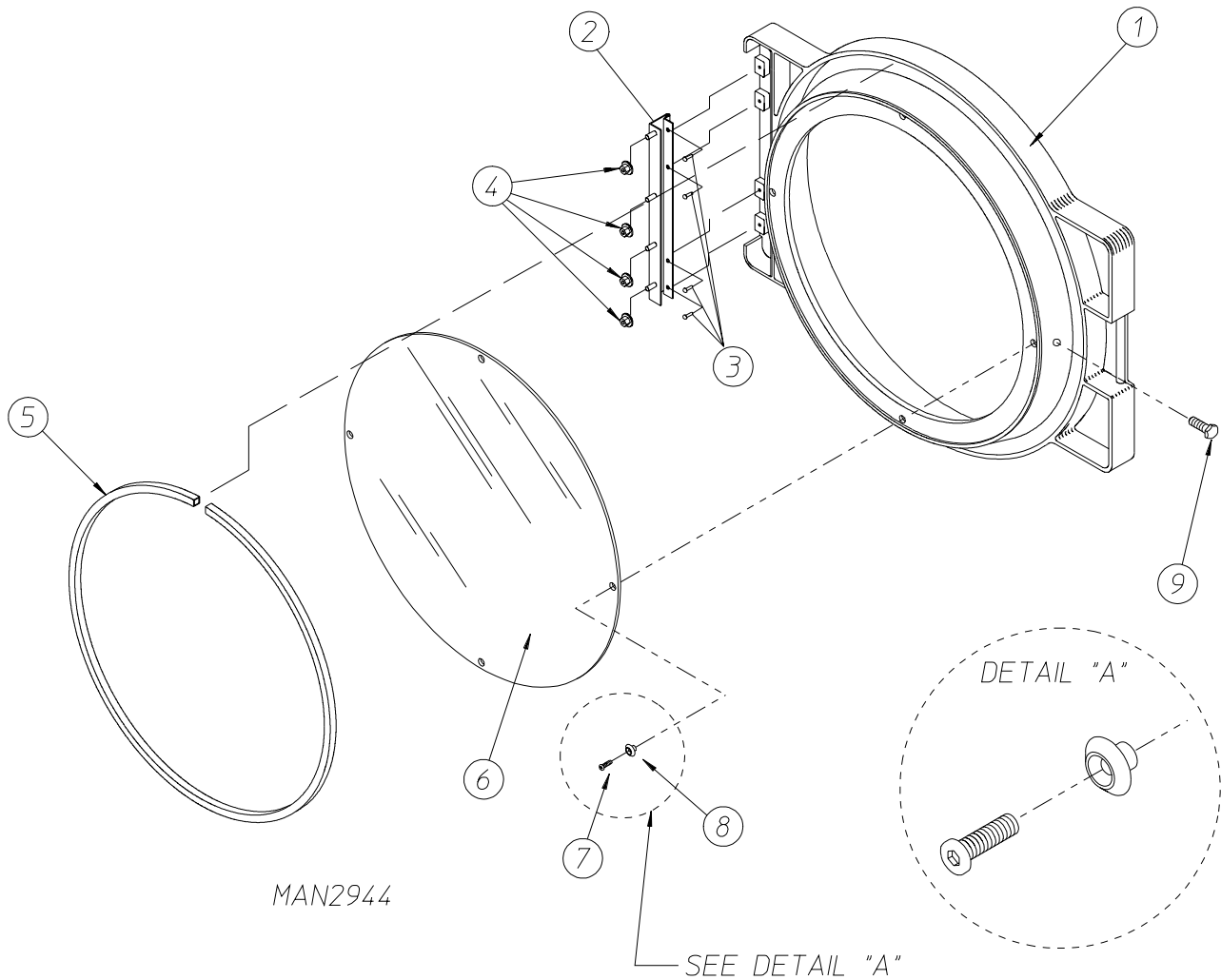
* Specify color when ordering.

For OPL Models ONLY Mfd. as of November 3, 2000



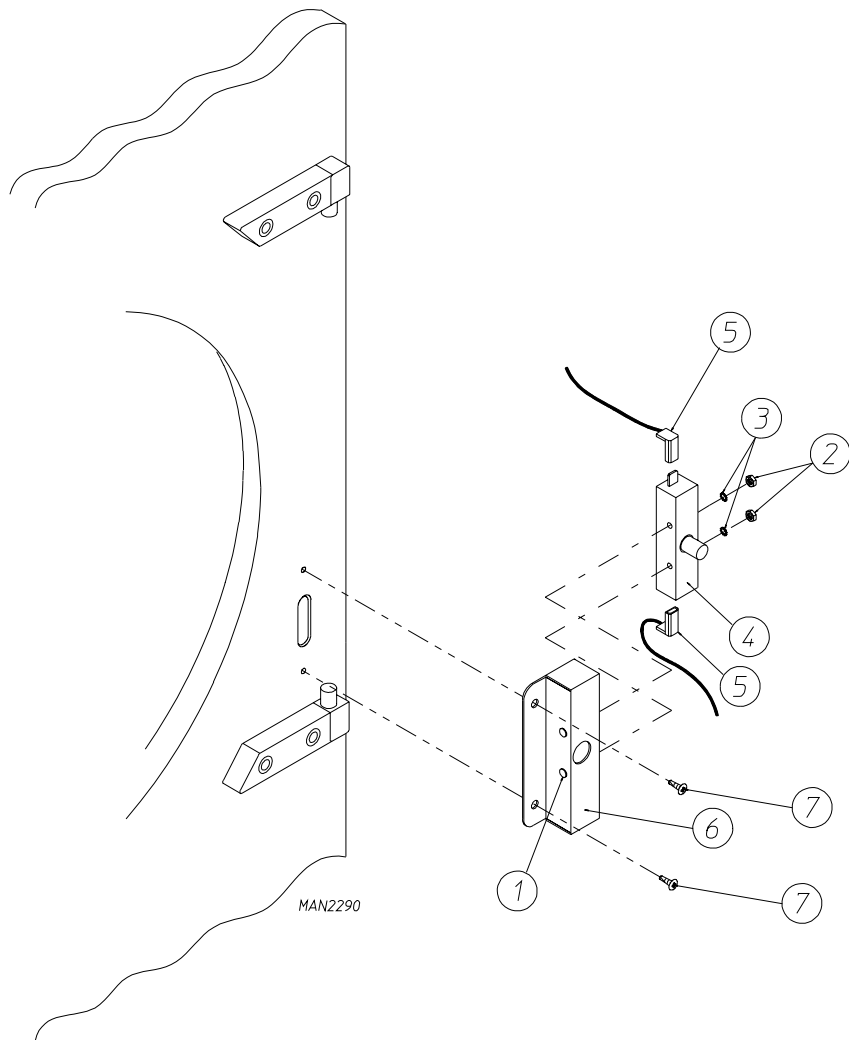
Illus. No.	Part No.	Qty.	Description
1	881150	1	Black Main Door Assembly Complete (includes illus. nos. 1, 2, and 8 through 15)
2	102354	1	Door Gasket
	170730	1	Clear Glass Adhesive (10.3 oz. cartridge)
	170731	1	Black Glass Adhesive (10.3 oz. cartridge)
3	881152	1	Black Top Hinge Block Assembly (includes illus. nos. 3 and 4)
4	150445	2	1/4-20 x 3/4" Black Cap Head Setscrew
5	153031	1	1/4" Nylon Washer
6	881151	1	Black Bottom Hinge Block Assembly (includes illus. nos. 5, 6, and 7)
7	150445	2	1/4-20 x 3/4" Black Cap Head Setscrew
	150443	2	1/4-20 x 3/4" Stainless Steel Cap Head Setscrew
8	150683	3	1/4-20 x 5/8" Black Carriage Bolt
9	152014	3	1/4-20 Free Spin Wash Nut
10	151010	1	#10-32 Black Hex Acorn Nut
11	150120	1	Door Latch Screw
12	150683	3	1/4-20 x 5/8" Black Carriage Bolt
13	152014	3	1/4-20 Free Spin Wash Nut
14	881210	1	Black Main Door Handle ONLY
15	102218	1	20-7/16" Door Glass
	102360	1	Glass/Door Gasket Tape (for models mfd. as of February 9, 2001)
	170731	1	Black Glass Adhesive (10.3 oz. cartridge) (for models mfd. prior to February 9, 2001)
16	151013	4	#10-32 Black Nylon Acorn Nut

For OPL and ALL Coin Models Mfd. prior to November 3, 2000

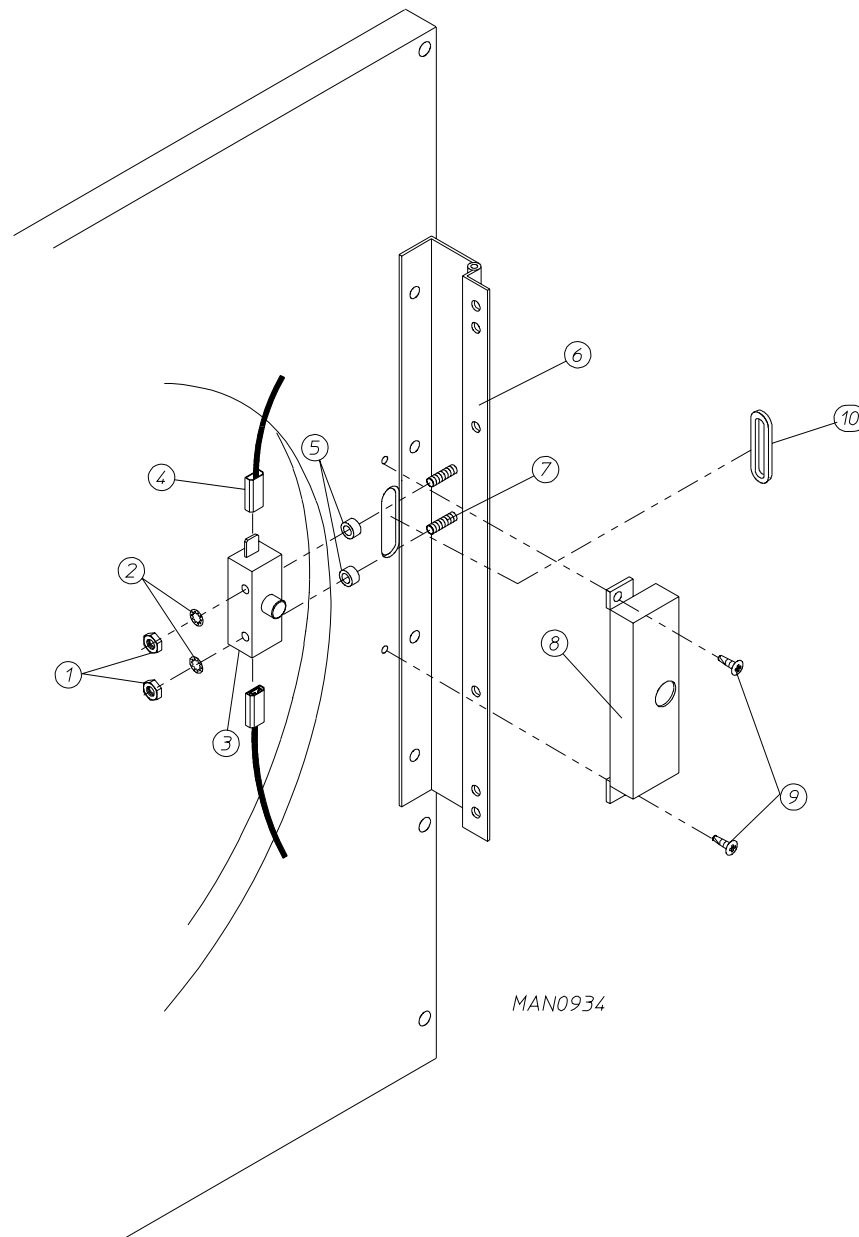


<u>Illus. No.</u>	<u>Part No.</u>	<u>Qty.</u>	<u>Description</u>
1	881421	1	Gray Plastic Main Door Assembly Complete with Mechanical Fasteners (includes illus. nos. 1 and 5 through 9)
2	800448	4	12-1/2" Stainless Steel Main Door Hinge Assembly
3	150410	4	#10-24 x 3/8" Phillips Pan Head Taptite Screw
4	152014	1	1/4-20 Free Spin Wash Nut
5	102349	1	Main Door Gasket
6	102212	1	20-7/16" Door Glass with (4) Holes
	170730	1	Main Door Glass Adhesive (10.3 oz. cartridge)
7	150448	4	1/2" Stainless Steel Flat Head Allen Screw
8	170319	4	Door Glass (Nylon) Spacer
9	150431	1	Main Door Latch Screw (#10 x 7/16" Dome Hex Head)

For OPL Models ONLY Mfd. as of November 3, 2000

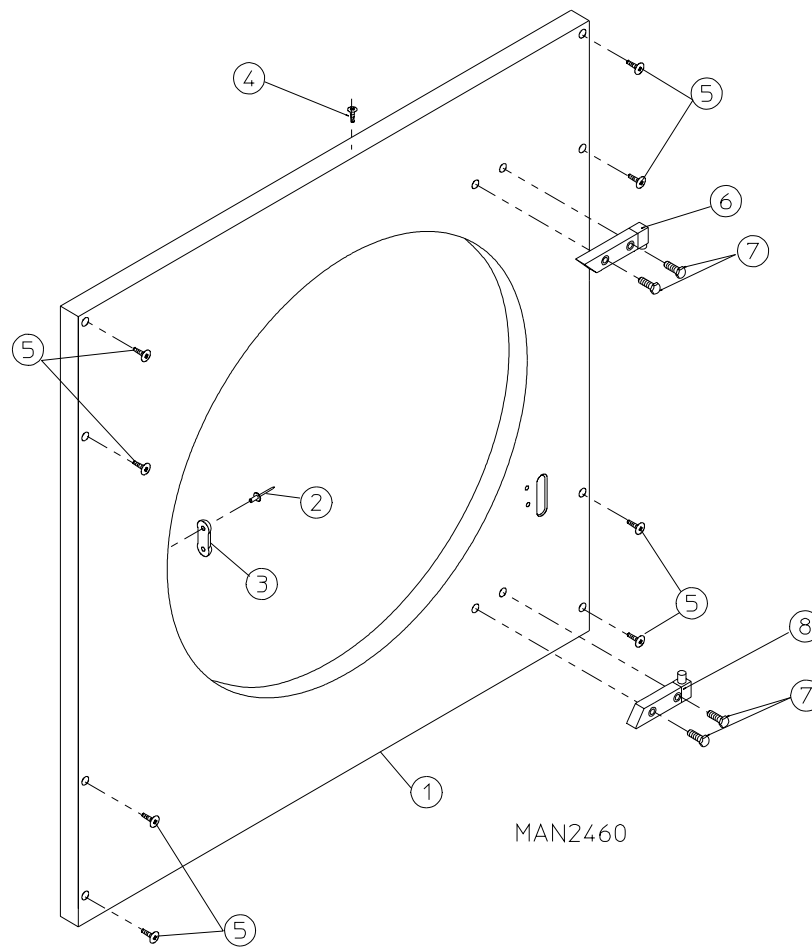


<u>Illus. No.</u>	<u>Part No.</u>	<u>Qty.</u>	<u>Description</u>
1	153566	2	#6-32 x 7/8" Clinch Stud
2	152013	2	#6-32 Hex Nut 1/4" ATF Zinc Plated
3	153010	2	#6 Star Washer
4	137005	1	Single-Pole Door Switch (SDS)
5	122636	2	Flag Terminal
6	881211	1	Main Door Switch Housing
7	150301	2	#8-18 x 7/16" Phillips Pan Head TEK Screw

For OPL and ALL Coin Models Mfd. prior to November 3, 2000

<u>Illus. No.</u>	<u>Part No.</u>	<u>Qty.</u>	<u>Description</u>
1	152013	2	#6-32 Hex Nut
2	153008	2	#6 Lock Washer
3	137005	1	Single Pole Door Switch
4	121028	2	Insulated Female Terminal
5	154281	2	3/8" Standard Nylon Spacers
6	800448	1	12-1/2" Stainless Steel Main Door Hinge Assembly (includes illus. nos. 6 and 7)
7	153565	2	#6 Stud
8	881246	1	Main Door Switch Housing ONLY
9	150201	2	#10-32 x 1 / 4" Phillips Pan Head Screw
10	121405	1	Rubber Grommet

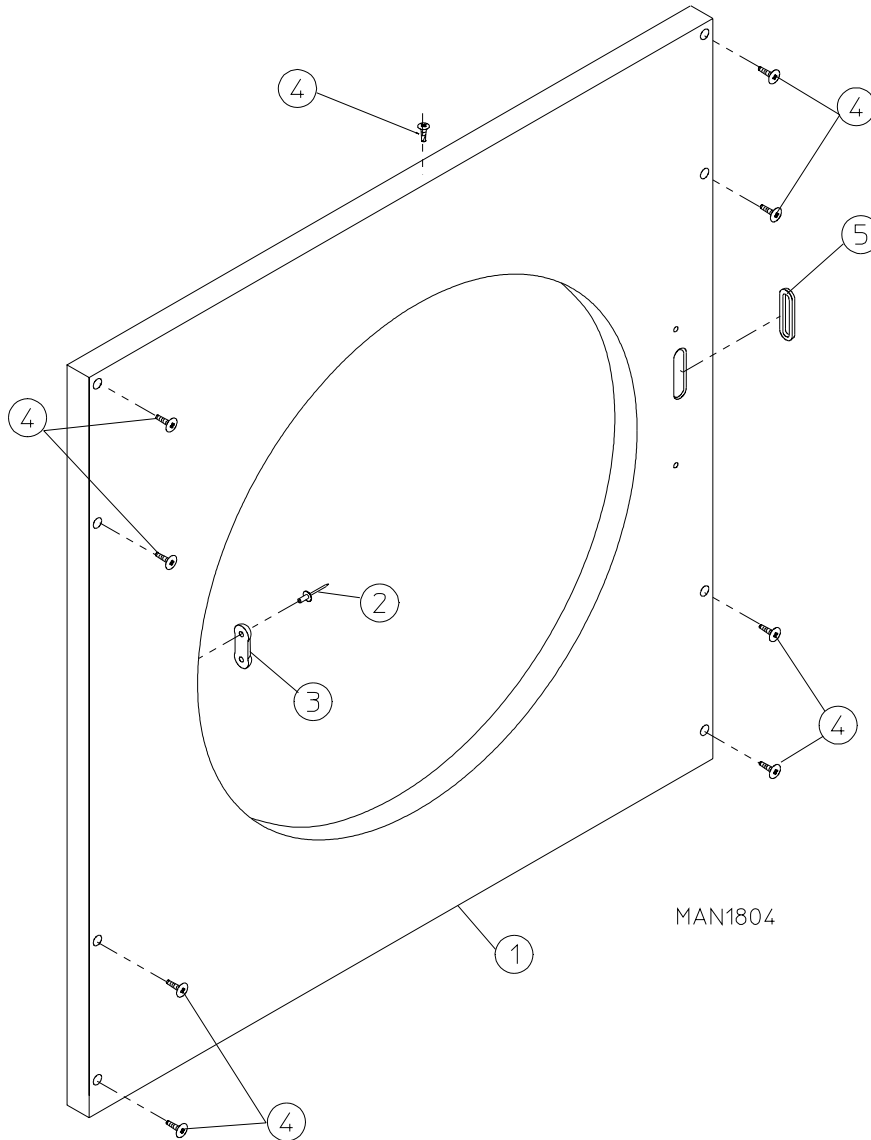
For OPL Models ONLY Mfd. as of November 3, 2000



<u>Illus. No.</u>	<u>Part No.</u>	<u>Qty.</u>	<u>Description</u>
1	881268*	1	Right Hand Front Panel Assembly (CRS door) (includes illus. nos. 1 through 3)
	881287	1	Stainless Steel Front Panel Assembly (CRS door) (includes illus. nos. 1 through 3)
	881793*	1	Left Hand Front Panel Assembly (CRS door) (includes illus. nos. 1 through 3)
2	154215	2	1/8 Pop Rivet
3	170330	1	Friction Door Latch
4	150300	1	#10-16 x 1/2" Hex Washer TEK Screw
5	150309	8	#10-16 x 1/2" Phillips Hex Head TEK Crimptite Screw
6	881152	1	Black Top Hinge Block Assembly
	881208	1	Stainless Steel Top Hinge Block Assembly
7	150445	4	1/4-20 x 7/8" Black Cap Head Setscrew
	150443	4	1/4-20 x 7/8" Stainless Steel Cap Head Setscrew
8	881151	1	Black Bottom Hinge Block Assembly
	881209	1	Stainless Steel Bottom Hinge Assembly

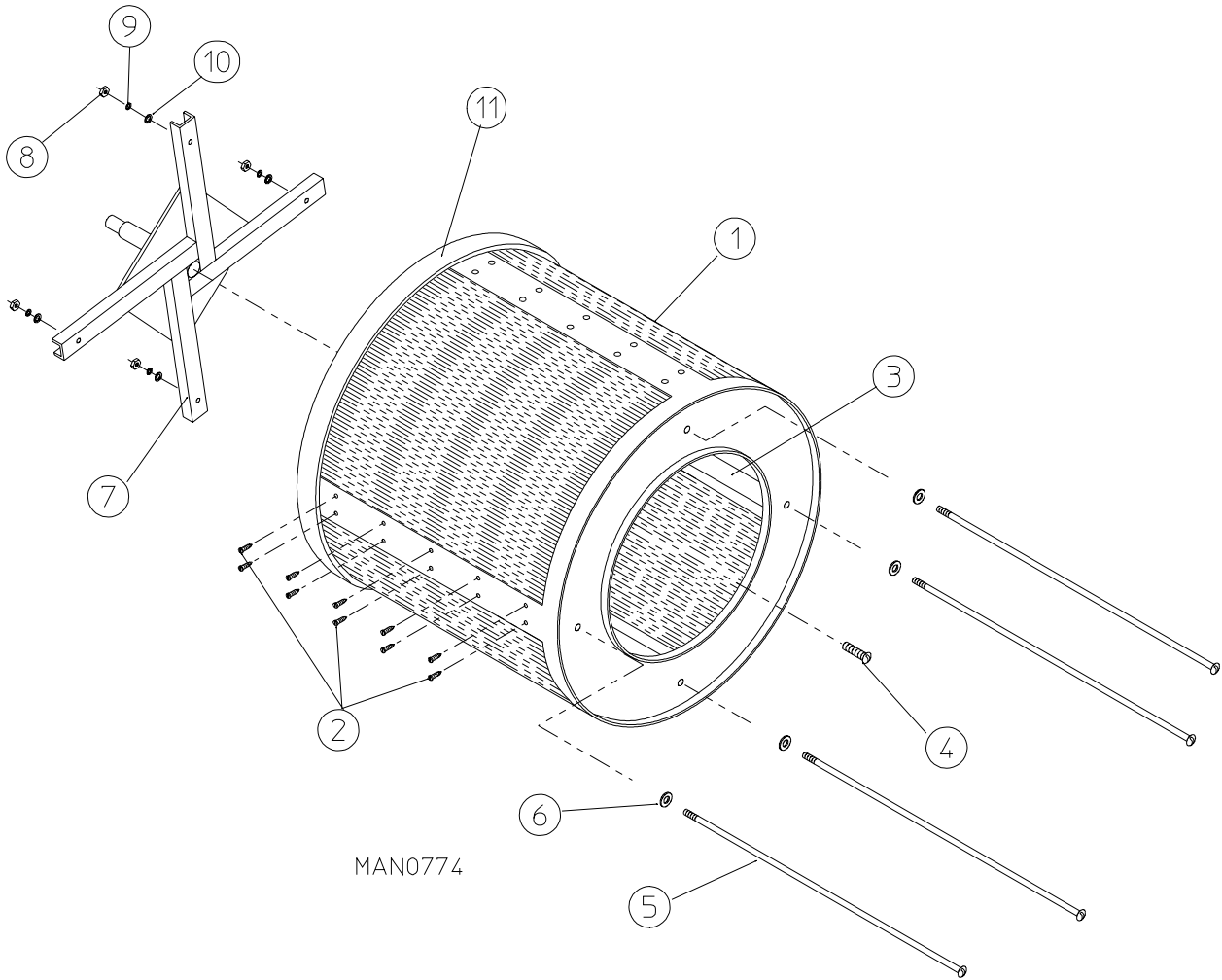
* Specify color when ordering.

For OPL and ALL Coin Models Mfd. prior to November 3, 2000



<u>Illus. No.</u>	<u>Part No.</u>	<u>Qty.</u>	<u>Description</u>
1	875300*	1	Right Hand Insulated Front Panel Assembly (Latch Type) Complete (includes illus. nos. 1 through 3 and 6)
	875311	1	Stainless Steel Right Hand Insulated Front Panel Assembly (Latch Type) Complete (includes illus. nos. 1 through 3 and 5)
2	154215	2	1/8" Pop Rivet
3	170330	1	Friction Door Latch
4	150309	9	#10-16 x 1/2" Hex Head TEK Crimptite Screw
5	121405	1	Rubber Grommet

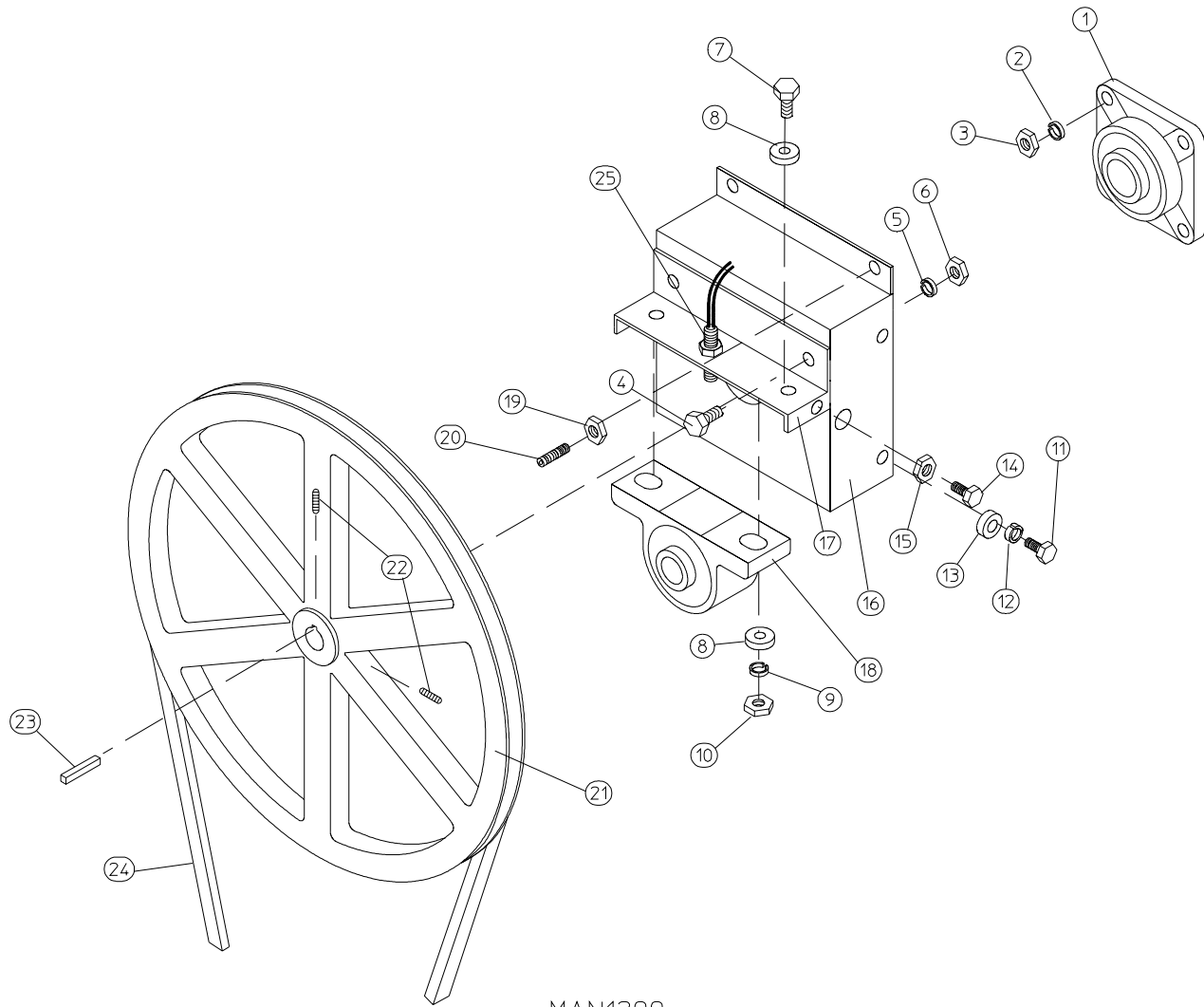
* Specify color when ordering.



Illus. No.	Part No.	Qty.	Description
1*	800703	1	Basket (Tumbler) ONLY (without Felt Collar)
	800803	1	Non-Reversing Basket (Tumbler) and Support Assembly (includes illus. nos. 1 through 10)
	800813	1	Reversing Basket (Tumbler) and Support Assembly (includes illus. nos. 1 through 10)
2	150309	40	#10-16 x 1/2" Hex Head TEK Crimptite Screw
3	301304	4	Basket (Tumbler) Rib ONLY
4	150518	1	5/16-18 x 3/8" Socket Button Head Screw
5	100915	4	3/8-16 x 31" Tie Rod
6	153004	4	3/8" Flat Washer
7	800603	1	Non-Reversing Basket (Tumbler) Support ONLY
	850049	1	Reversing Basket (Tumbler) Support ONLY
8	152005	4	3/8-16 Hex Nut
9	153005	4	3/8" Lock Washer
10	153004	4	3/8" Flat Washer
11	116002	1	Felt Collar ONLY
---	401010	1	#847 Adhesive for Felt Collar (5.0 oz. tube)

* Felt collar is not included and **must be** ordered separately.

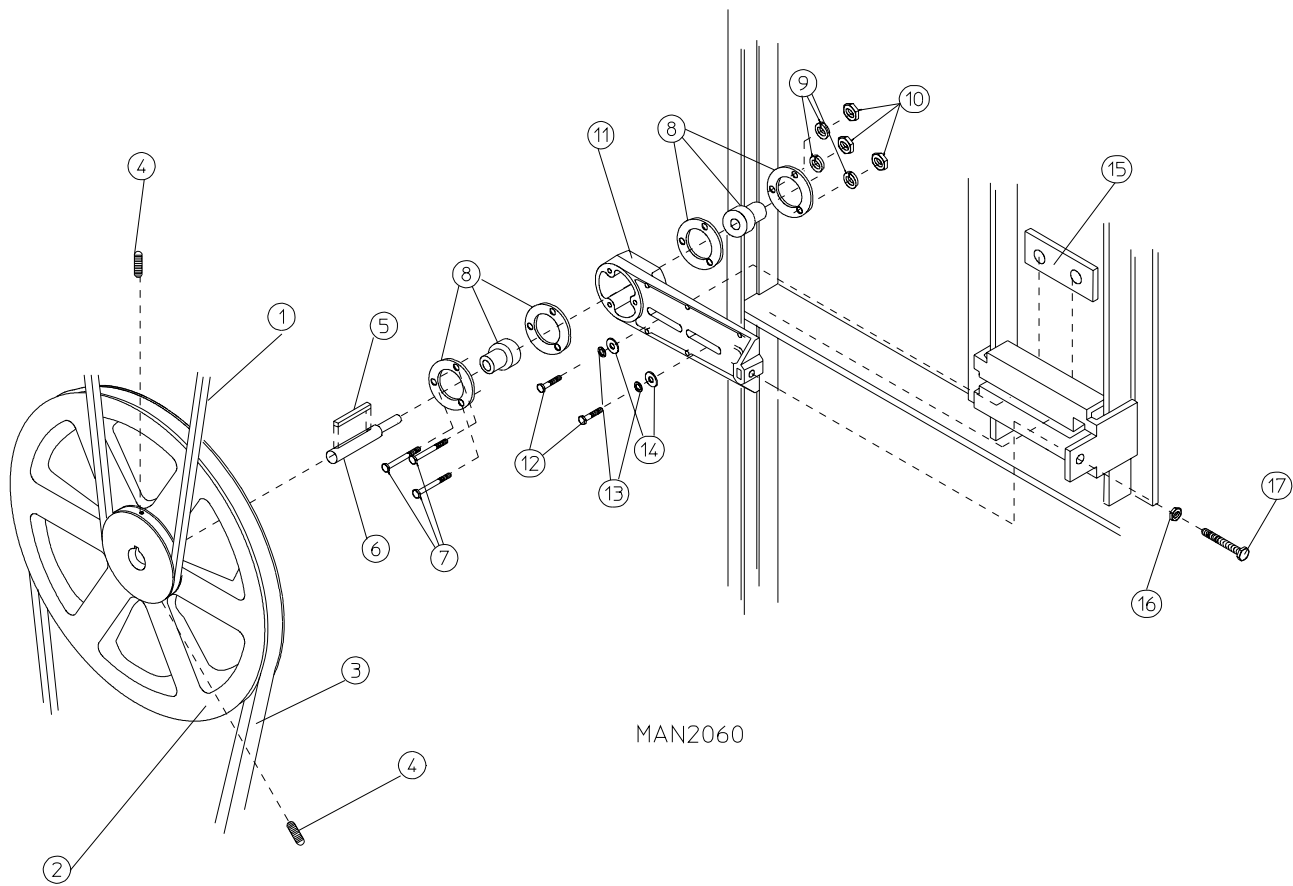
NOTE: For stainless steel basket (tumblers), contact factory.



MAN1299

<u>Illus. No.</u>	<u>Part No.</u>	<u>Qty.</u>	<u>Description</u>
1	880203	1	1-3/8" Flange Bearing
2	153005	4	3/8" Lock Washer
3	152005	4	3/8-16 Hex Nut
4	150508	2	3/8-16 x 3/4" Hex Head Machine Bolt
5	153005	2	3/8" Lock Washer
6	152005	2	3/8-16 Hex Nut
7	150600	2	3/8-16 x 1-1/2" Hex Head Machine Bolt
8	153004	*	3/8" Flat Washer
9	153005	2	3/8" Lock Washer
10	152005	2	3/8-16 Hex Nut
11	150501	4	5/16-18 x 3/4" Hex Head Machine Bolt
12	153002	4	5/16" Lock Washer
13	153001	4	5/16" Flat Washer
14	150621	2	5/16-18 x 1-1/2" Hex Head Machine Bolt
15	152004	2	5/16-18 Hex Nut
16	801101	1	1-3/8" Bearing Box Assembly Complete (includes illus. nos. 4 through 20) (for models mfd. without Rotational Sensor)
	801103	1	1-3/8" Bearing Box and Support ONLY (includes illus. nos. 4 through 6, 16 and 17)
	801105	1	1-3/8" Bearing Box ONLY
17	801104	1	Pillow Block Bearing Support ONLY
18	880779	1	1-3/8" Pillow Block Bearing Assembly with Magnet (for models mfd. with Rotational Sensor)
	880202	1	1-3/8" Pillow Block Bearing
19	152004	2	5/16-18 Hex Nut
20	150610	2	5/16-18 x 1-1/2" Allen Setscrew
21	101100	1	18" Pulley (for Non-Reversing Models Only)
	101118	1	18-3/4" Pulley (for Reversing Models Only)
	101119	1	1-3/8" Taper Lock Hub (for Reversing models Only)
	100735	1	Shaft Key (for taper lock hub)
22	154301	2	5/16-18 x 5/16" Allen Setscrew
23	100713	1	1/4" x 1/4" x 7/8" Key
24	100108	1	5L-680 V-Belt (basket [tumbler] to idler) (for Non-Reversing Models Only)
	100106	1	5L-680 V-Belt (basket [tumbler] to idler) (for Reversing Models Only)
25	824807	1	Rotational Sensor Assembly

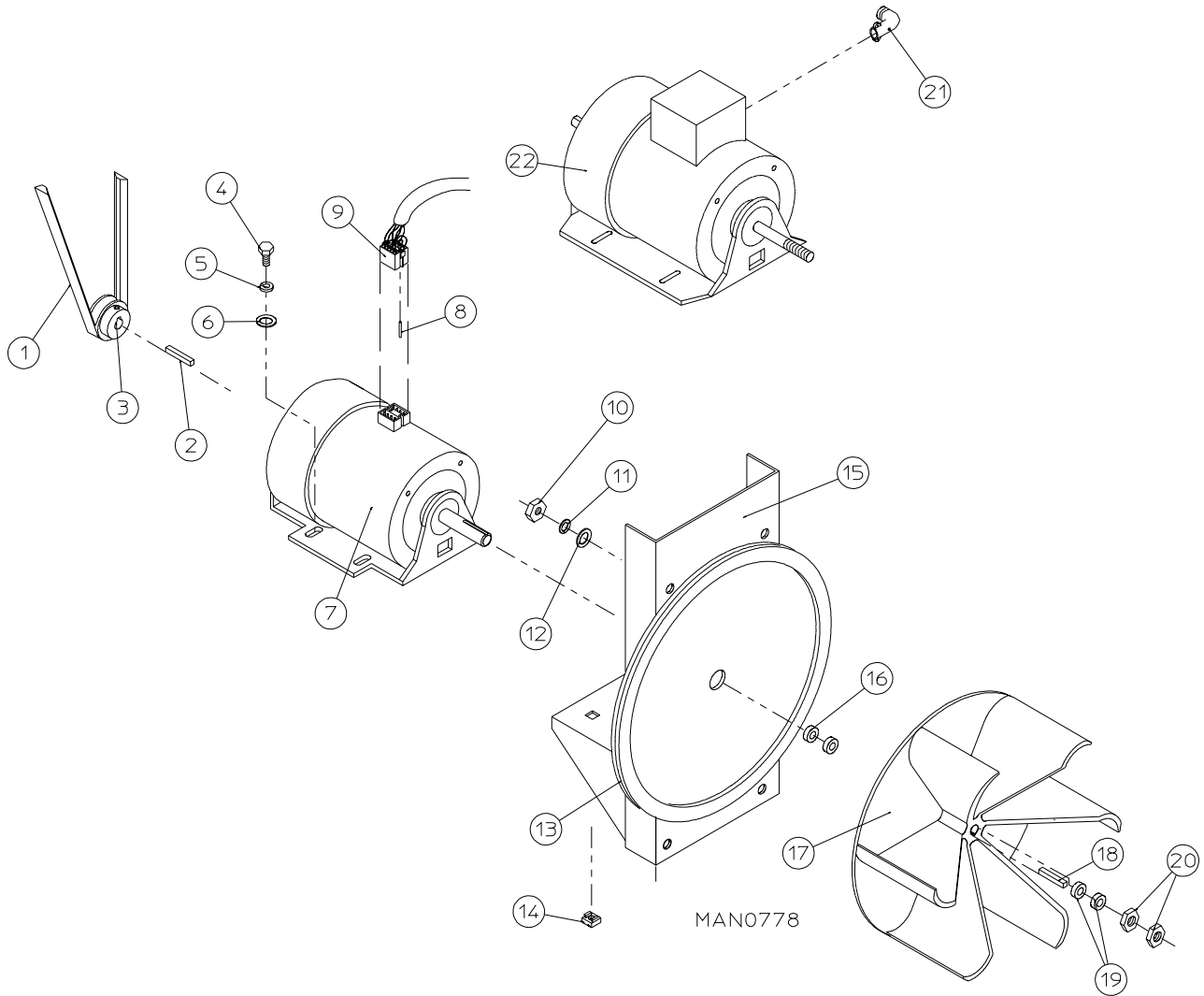
* As required.



MAN2060

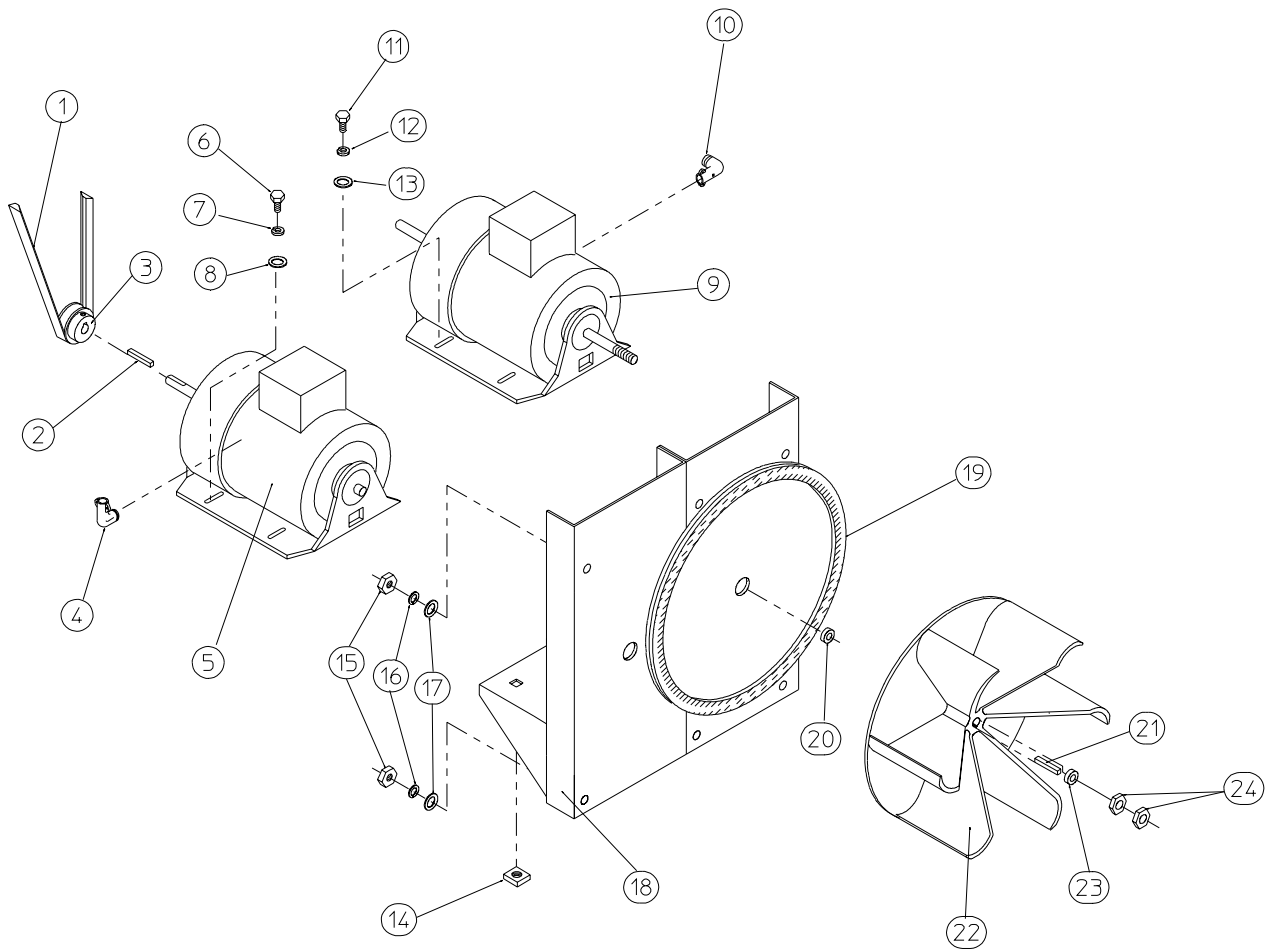
<u>Illus. No.</u>	<u>Part No.</u>	<u>Qty.</u>	<u>Description</u>
1	100107	1	5L-670 V-Belt (idler to basket [tumbler]) (for Non-Reversing models Only) (for models mfd. as of November 21, 1997)
	100108	1	5L-680 V-Belt (idler to basket [tumbler]) (for Non-Reversing models Only) (for models mfd. between October 27, 1997 and November 21, 1997)
	100106	1	5L-690 V-Belt (idler to basket [tumbler]) (for Reversing models Only) (for models mfd. prior to October 27, 1997)
2	101129	1	9" x 2-1/2" Compound Pulley
3	100110	1	4L-500 V-Belt (idler to motor) 60 Hz ONLY (for Non-Reversing Models Only)
	100103	1	4L-510 V-Belt (idler to motor) 50 Hz ONLY (for Non-Reversing Models Only)
	100109	1	4L-650 V-Belt (idler to motor) 50/60 Hz (for Reversing Models Only) (for models mfd. as of October 27, 1997)
	100117	1	4L-620 V-Belt (idler to motor) 50/60 Hz (for Reversing Models Only) (for models mfd. prior to October 27, 1997)
4	154301	2	5/16-18 x 5/16" Allen Setscrew
5	100705	1	3/16" x 3/16" x 1-3/8" Key
6	301850	1	5/8" x 3/4" Idler Shaft
7	150529	3	1/4-20 x 2-1/4" Carriage Bolt
8	100214	2	5/8" Flange Bearing
9	153007	3	1/ 4" Lock Washer
10	152002	3	1/ 4-20 Hex Nut
11	801007	1	Idler Bearing Assembly Complete (includes illus. nos. 5 through 17)
12	150617	2	3/8-16 x 1" Hex Head Machine Bolt
13	153005	2	3/8" Lock Washer
14	153004	2	3/8" Flat Washer
15	801009	1	Idler Square Washer
16	152004	1	5/16-18 Hex Nut
17	150509	1	5/16-18 x 3" Hex Head Machine Bolt

32 Non-Reversing Totally Enclosed, Fan-Cooled (T.E.F.C.) Motor Mount Assembly



<u>Illus. No.</u>	<u>Part No.</u>	<u>Qty.</u>	<u>Description</u>
1	100110	1	4L-500 V-Belt (motor to idler assembly) 60 Hz ONLY
	100103	1	4L-510 V-Belt (motor to idler assembly) 50 Hz ONLY
2	100701	1	3/16" x 3/16" x 1" Key
3	101132	1	5/8" x 2" Motor Pulley (for 60 Hz motors Only)
	101133	1	5/8" x 2-1/4" Motor Pulley (for 50 Hz motors Only)
4	150501	4	5/16-18 x 3/4" Hex Head Machine Bolt
5	153002	4	5/16" Lock Washer
6	153001	4	5/16" Flat Washer
7	100073*	1	1 HP 120-230v / 1 ϕ / 60 Hz T.E.F.C. Motor (plug type motor)
	100076	1	3/4 HP 240v / 1 ϕ / 50 Hz T.E.F.C. Motor (plug type motor)
8	122701	8	Socket Terminal ONLY
	122801	1	Pin/Socket Extraction Tool
9	137030	1	8-Pin Housing Connector
10	152004	4	5/16-18 Hex Nut
11	153002	4	5/16" Lock Washer
12	153001	4	5/16" Flat Washer
13	117604	4	Neoprene Sponge Tape (sold by the foot) (for models mfd. as of August 6, 1998)
	117600	4	Noise Suppressor Tape (sold by the foot) (for models mfd. prior to August 6, 1998)
14	154000	4	5/16-18 Tinnerman Nut
15	800919	1	1 HP Motor Mount ONLY - 56Z Frame (includes illus. no. 13)
	880915*	1	1 HP 120-230v / 1 ϕ / 60 Hz T.E.F.C. Motor Mount with Plug Motor (includes illus. nos. 2 through 7 and 13 through 20)
	880944	1	3/4 HP 240v / 1 ϕ / 50 Hz T.E.F.C. Motor Mount Assembly Complete with Plug Motor (includes illus. nos. 2 through 7 and 13 through 20)
	880946*	1	1 HP 208/230/380/460v / 3 ϕ / 60 Hz T.E.F.C. Motor Mount Assembly Complete (includes illus. nos. 3 through 6 and 13 through 22)
	880945*	1	1 HP 208/230/380/460v / 3 ϕ / 50 Hz T.E.F.C. Motor Mount Assembly Complete (includes illus. nos. 3 through 6 and 13 through 22)
16	153050	3	1/2" S.A.E. Flat Washer
17	100603	1	16" Impellor with 3/4" Bore
18	100702	1	1/8" x 1/8" x 1-1/2" Key
19	153050	1	1/2" S.A.E. Flat Washer
20	152006	2	1/2-20 Left Hand Jam Nut
21	120200	1	3/8" x 90° Connector
22	100075	1	1 HP 208/230/380/460v / 3 ϕ / 50/60 Hz T.E.F.C. Motor (56Z Frame)

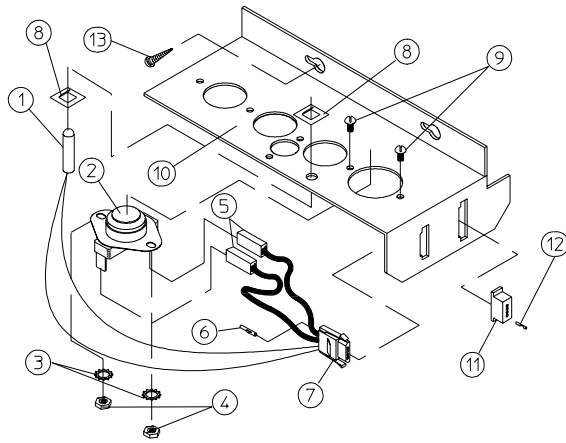
* Specify voltage when ordering.



MAN0250

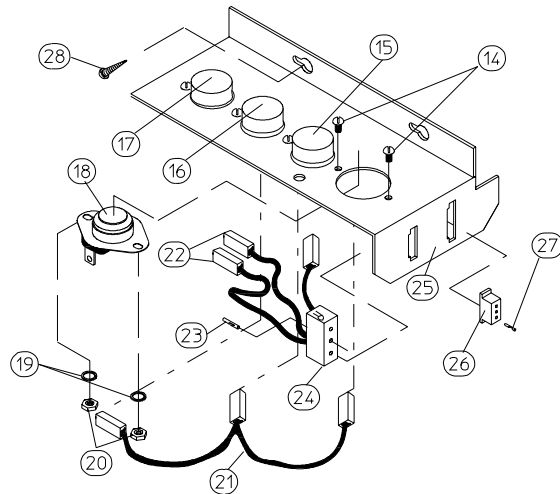
<u>Illus. No.</u>	<u>Part No.</u>	<u>Qty.</u>	<u>Description</u>
1	100109	1	4L-650 V-Belt (motor to idler assembly) (for models mfd. as of October 27, 1997)
	100117	1	4L-620 V-Belt (motor to idler assembly) (for models mfd. prior to October 27, 1997)
2	100701	1	3/16" x 3/16" x 1" Key
3	101132	1	5/8" x 2" Motor Pulley (for 60 Hz motors Only)
	101133	1	5/8" x 2-1/4" Motor Pulley (for 50 Hz motors Only)
4	120200	1	3/8" x 90° Connector
5*	181003	1	1/2 HP 208/230/380/460v / 3ø / 50/60 Hz T.E.F.C. Motor (56Z Frame)
6	150501	4	5/16-18 x 3/4" Hex Head Machine Bolt
7	153002	4	5/16" Lock Washer
8	153001	4	5/16" Flat Washer
9*	100075	1	1 HP 208/230/380/ 460v / 3ø / 50/60 Hz T.E.F.C. Motor (56Z Frame)
10	120200	1	3/8" x 90° Connector
11	150501	4	5/16-18 x 3/4" Hex Head Machine Bolt
12	153002	4	5/16" Lock Washer
13	153001	4	5/16" Flat Washer
14	154000	8	5/16" Tinnerman
15	152004	4	5/16"-18 Hex Nut
16	153002	4	5/16" Lock Washer
17	153001	4	5/16" Flat Washer
18	882398	1	Reversing Motor Mount - 56Z Frame (includes illus. no. 19)
	880948*	1	Reversing T.E.F.C. Motor Mount Assembly Complete - 60 Hz ONLY (includes illus. nos. 2 through 14 and 18 through 24)
	880947*	1	Reversing T.E.F.C. Motor Mount Assembly Complete - 50 Hz ONLY (includes illus. nos. 2 through 14 and 18 through 24)
19	117604	5	Neoprene Sponge Tape (sold by the foot) (for models mfd. as of August 6, 1998)
	117600	5	Noise Suppressor Tape (sold by the foot) (for models mfd. prior to August 6, 1998)
20	153050	3	1/2" S.A.E. Flat Washer
21	100702	1	1/8" x 1/8" x 1-1/2" Key
22	100603	1	16" Impellor with 3/4 Bore
23	153050	1	1/2" S.A.E. Flat Washer
24	152006	2	1/2-20 Left Hand Jam Nut

* Specify voltage when ordering.



Non-Computer Sensor Bracket Assembly

Microprocessor Sensor Bracket Assembly



MAN0238

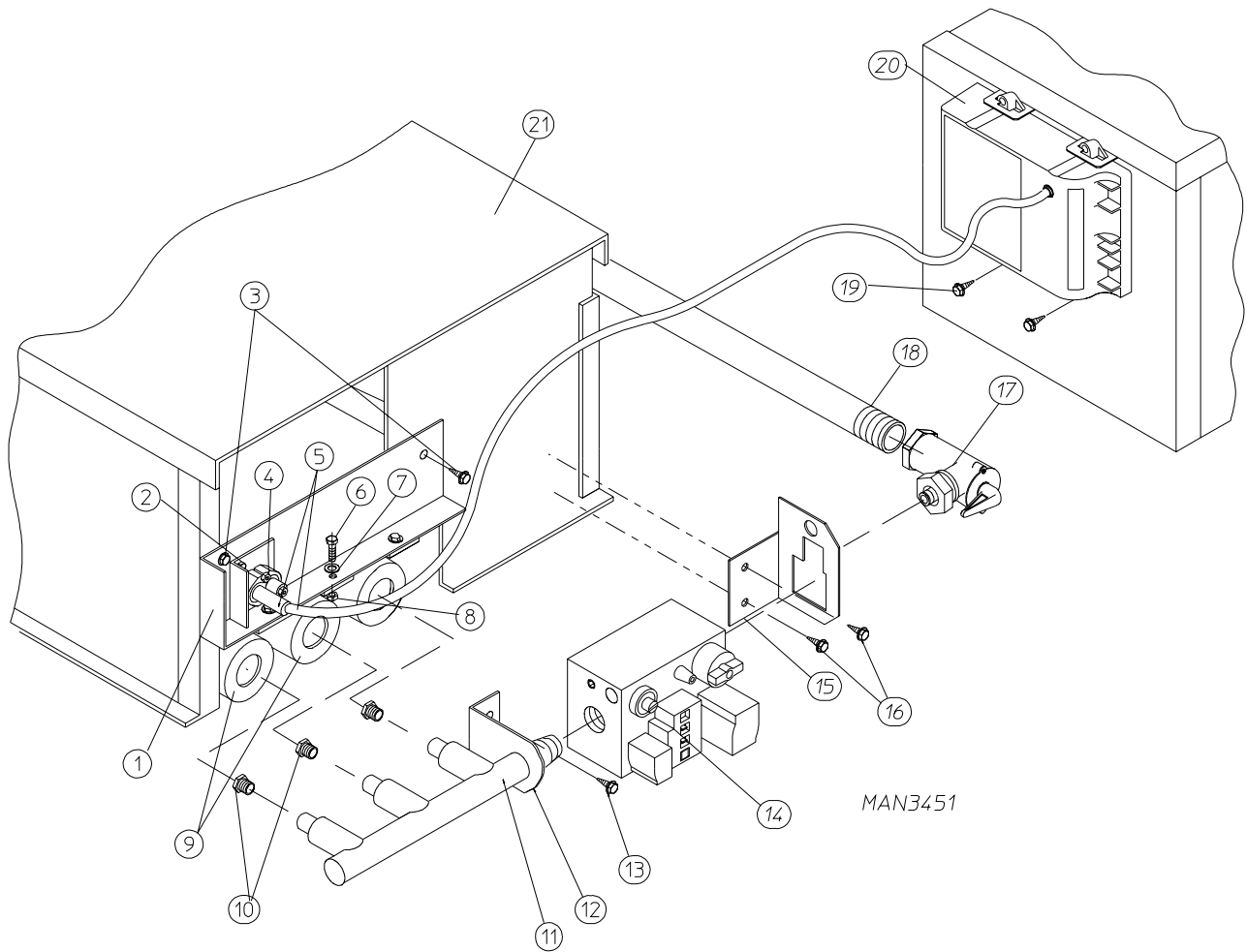
Illus. No.	Part No.	Qty.	Description
1	880251	1	1/4" Temperature Sensor Probe Assembly (includes illus. nos. 1 and 5 through 8)
2	130103	1	225° Large Automatic Reset Thermostat
3	153010	2	#6 Star Washer
4	152000	2	#6-32 Hex Nut
5	121028	2	Insulated Terminal ONLY
6	122701	4	Socket Terminal ONLY
7	122605	1	4-Pin Socket Connector ONLY
8	154007	2	1/4" Tinnerman Push On Fastener
9	150005	2	#6-32 x 1/4" Round Head Machine Screw
10	801425	1	Microprocessor Sensor Bracket Assembly Complete (includes illus. nos. 1 through 10)
	305007	1	Universal Sensor Bracket ONLY
11	122604	1	4-Pin Connector ONLY
12	122700	4	Pin Terminal ONLY
13	150301	2	#8-18 x 7/16" Phillips Pan Head TEK Screw
14	150005	*	#6-32 x 1/4" Round Head Machine Screw
15	130111	1	130° Large Thermostat (for models mfd. as of August 1, 1993)
	130100	1	150° Large Thermostat (for models mfd. prior to August 1, 1993)

<u>Illus. No.</u>	<u>Part No.</u>	<u>Qty.</u>	<u>Description</u>
16	130100	1	150° Large Thermostat (for models mfd. as of August 1, 1993)
	130103	1	225° Large Automatic Thermostat (for models mfd. prior to August 1, 1993)
17	130103	1	225° Large Automatic Reset Thermostat (for ALL models mfd. as of August 1, 1993)
18	130101	1	180° Large Thermostat (for models mfd. prior to April 22, 1994)
	130106	1	170° Large Thermostat (for models mfd. as of April 22, 1994)
19	153010	*	#6 Star Washer
20	152000	*	#6-32 Hex Nut
21	840065	1	Sensor Jumper (4) (for ALL models mfd. as of August 1, 1993)
	840063	1	Sensor Jumper (3) ONLY (for models mfd. prior to August 1, 1993)
22	121028	**	Insulated Terminal ONLY
23	122701	***	Socket Terminal ONLY
24	122605	1	4-Pin Socket Connector ONLY (for ALL models mfd. as of August 1, 1993)
	122609	1	3-Pin Socket Connector ONLY (for models mfd. prior to August 1, 1993)
	831702	1	Sensor (4) Bracket Harness Assembly (includes illus. nos. 22 through 24) (for ALL models mfd. as of August 1, 1993)
25	801405	1	Non-Computer Sensor (3) Bracket Assembly Complete-includes Thermostats (includes illus. nos. 14 through 16 and 18 through 25) (for models mfd. prior to August 1, 1993)
	801418	1	Non-Computer Sensor (4) Bracket Assembly Complete-includes Thermostats (includes illus. nos. 14 through 25) (for models mfd. from August 1, 1993 to April 22, 1994)
	801430	1	Non-Computer Sensor (4) Bracket Assembly Complete-includes Thermostats (includes illus. nos. 14 through 25) (for models mfd. as of April 4, 1994)
	305007	1	Universal Sensor Bracket ONLY
26	122608	1	3-Pin Connector ONLY (for models mfd. prior to August 1, 1993)
	122604	1	4-Pin Connector ONLY (for ALL models mfd. as of August 1, 1993)
27	122700	***	Pin Terminal ONLY
	122801	1	Pin/Socket Extraction Tool
28	150301	2	#8-18 x 7/16" Phillips Pan Head TEK Screw

* Qty= 4 or 5

** Qty= 5 or 8

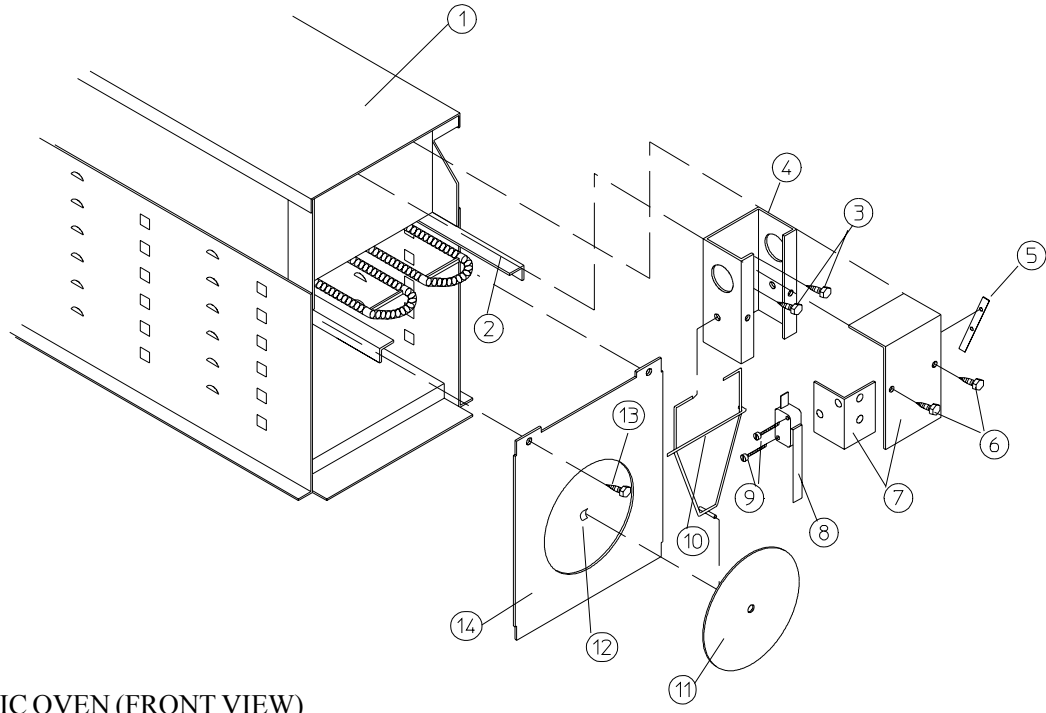
*** Qty= 3 or 4



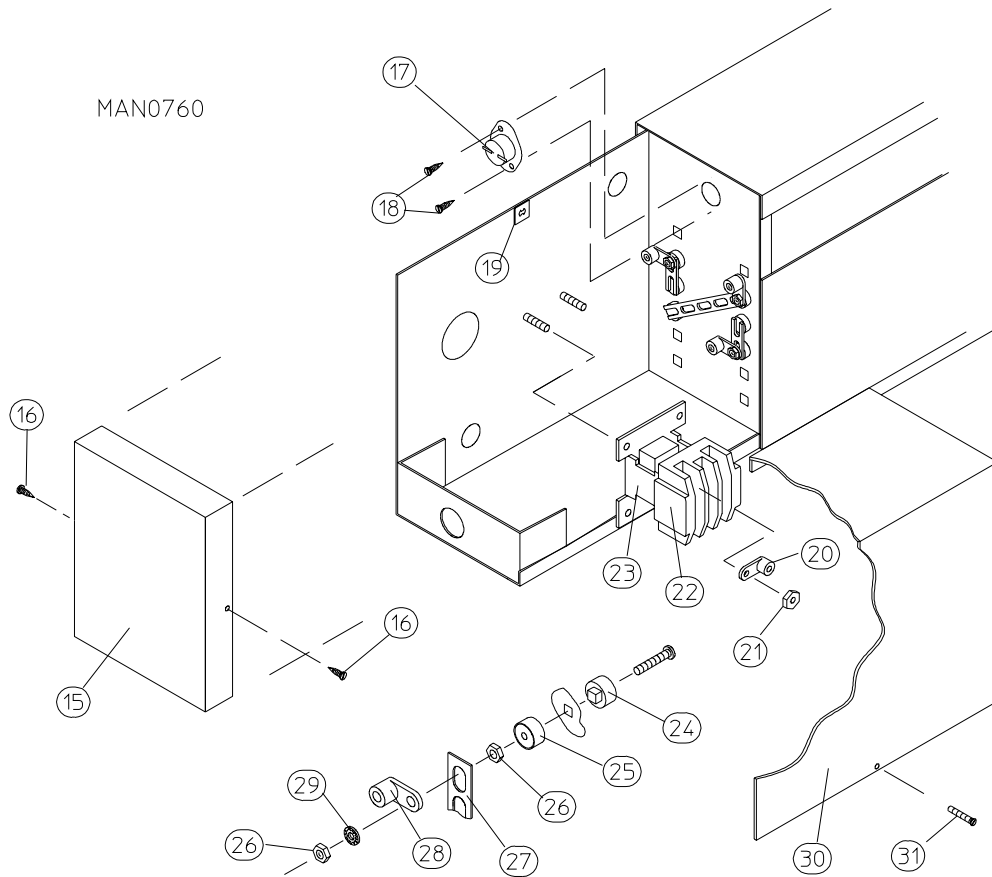
<u>Illus. No.</u>	<u>Part No.</u>	<u>Qty.</u>	<u>Description</u>
1	318030	1	DSI (Direct Spark Ignition) Burner Shield
2	150300	2	#10 x 1/2" Hex Washer TEK Screw
3	150309	2	#10-16 x 1/2" Hex Head TEK Crimptite Screw
4	128915	1	DSI Ignitor/Flame-Probe Assembly
	880134	1	Ignitor/Flame-Probe Kit Assembly (includes illus. nos. 4 and 5)
5	880330	1	High Voltage (HV) Wire and Connector Assembly
6	150103	3	#8-32 x 3/4" Pan Head Machine Screw
7	153000	3	#8 Steel Burr
8	151001	3	#8-32 Pal Nut
9	141105	3	Large Tube Burner
10*	140823	3	#26 Natural Gas Burner Orifice - 60 Hz ONLY
	140820	3	#29 Natural Gas Burner Orifice - 50 Hz ONLY
	140808	3	#44 Liquid Propane (L.P.) Gas Burner Orifice - 60 Hz ONLY
	140806	3	#46 L.P. Gas Burner Orifice - 50 Hz ONLY
11	141232	1	1/2" DSI Manifold (3-Port)
12	318700	1	Pipe Bracket (bent)
13	150300	2	#10 x 1/2" Hex Washer TEK Screw
14	128927	1	1/2" 24 VAC Redundant (natural gas) Gas Valve
	880960	1	1/2" 24 VAC Redundant (L.P. gas) Gas Valve
	140411	1	1/2" Valve L.P. Conversion Kit
15	318712	1	GV Pipe Bracket
16	150309	4	#10-16 x 1/2" Hex Head TEK Crimptite Screw
17	881367	1	1/2" Union Shut Off with Tail Piece
18	142809	1	1/2" x 29-1/8" Pipe
19	150299	2	#10 x 1" Hex Washer TEK Screw
20	880815	1	ADC DSI Module ONLY (50/60 Hz)
21	850898	1	Non-Heat Reclaimer Burner Box ONLY (for models mfd. as of November 17, 1997)
	850852	1	Non-Heat Reclaimer Burner Box ONLY (for models mfd. prior to November 17, 1997)
---	809627**	1	SUPER AD-30 Natural Gas Burner Assembly Complete less Orifices
---	809628**	1	SUPER AD-30 L.P. Gas Burner Assembly Complete less Orifices
---	880928**	1	SUPER AD-30 L.P. Conversion Kit (for 60 Hz models)
---	880929**	1	SUPER AD-30 L.P. Conversion Kit (for 50 HZ models)

* Contact factory for elevations over 2,000 feet.

** Burner orifices *are not included* and **must be** ordered separately.



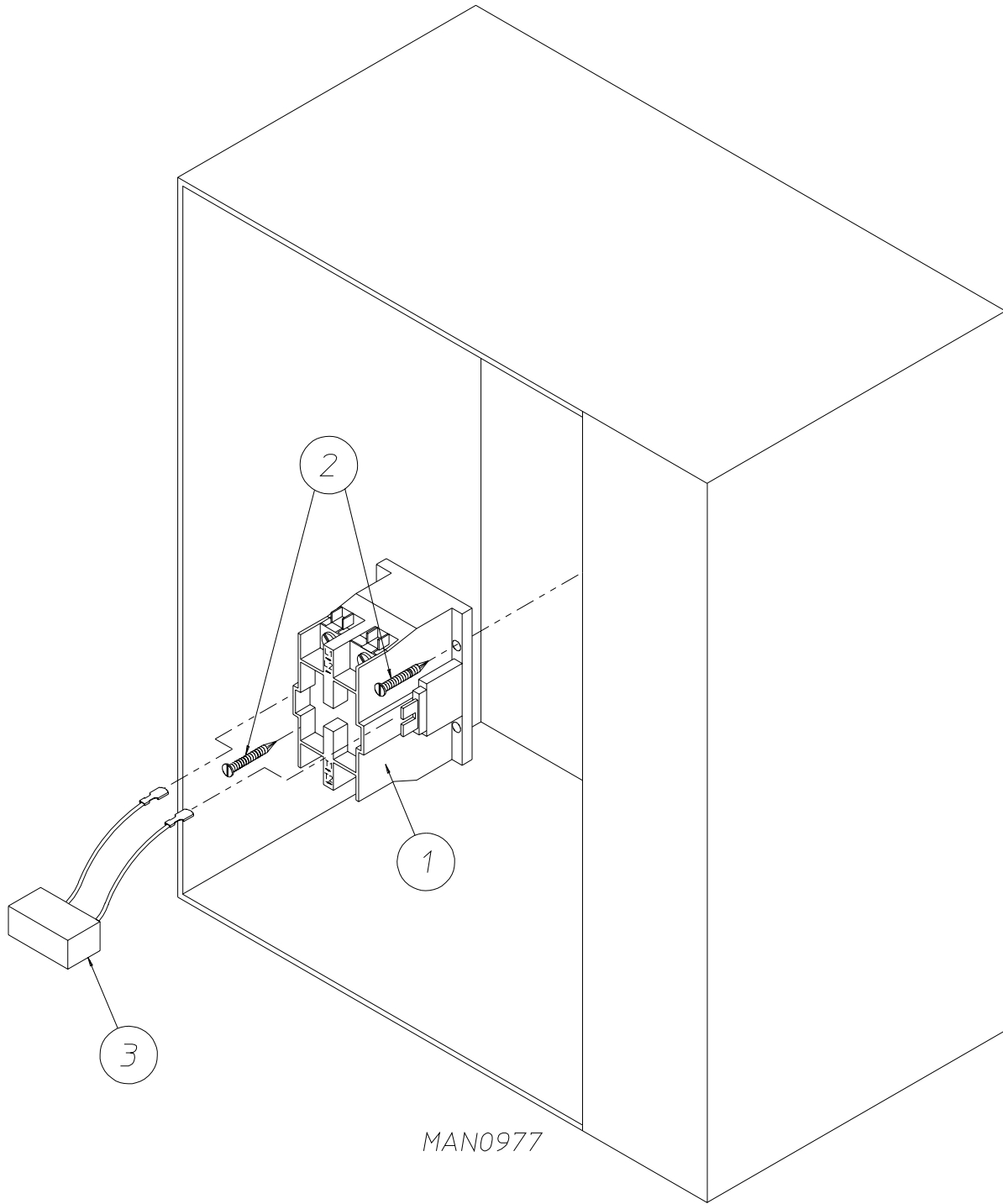
ELECTRIC OVEN (FRONT VIEW)



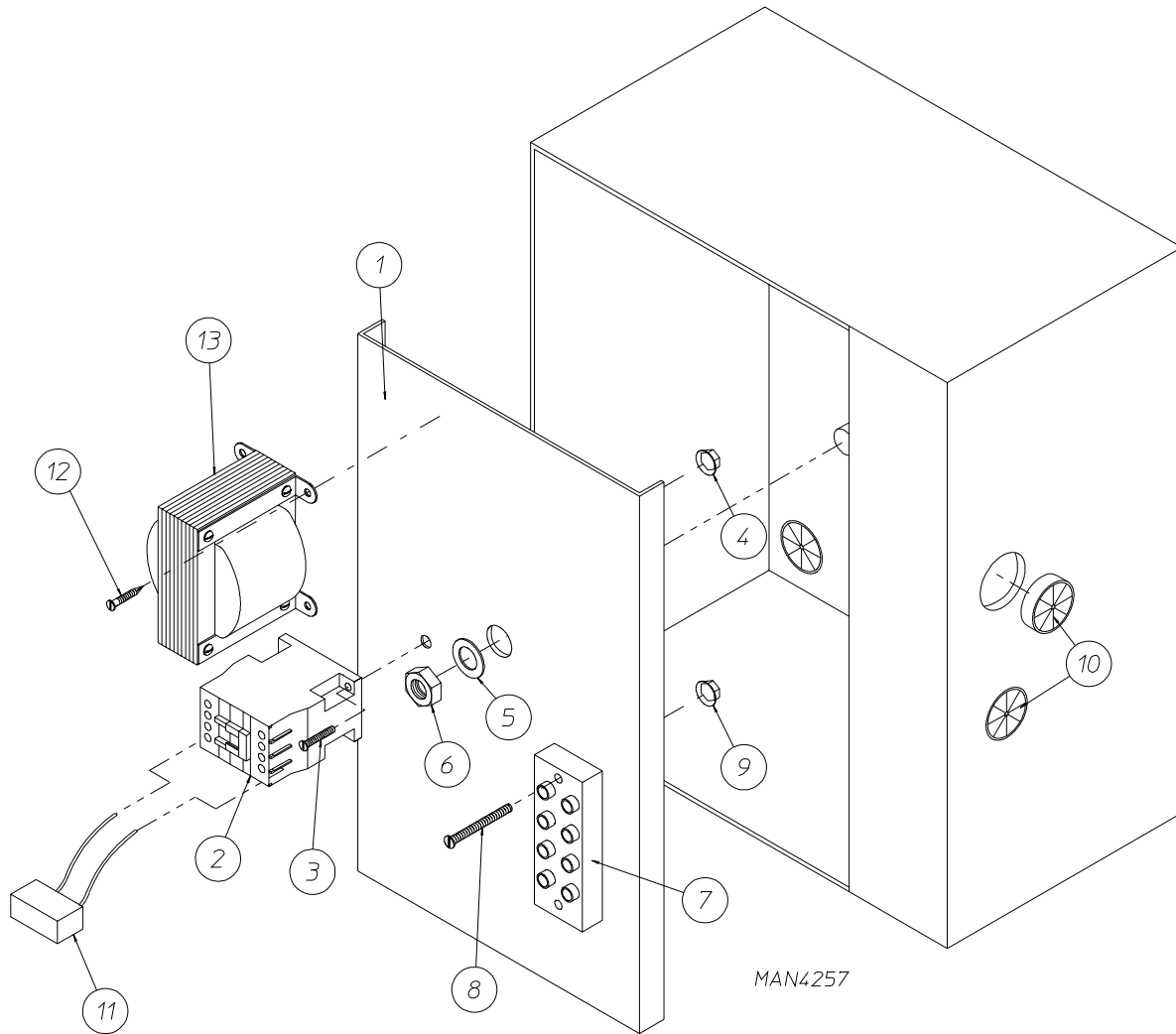
ELECTRIC OVEN (REAR VIEW)

<u>Illus. No.</u>	<u>Part No.</u>	<u>Qty.</u>	<u>Description</u>
1	803007*	1	Large Electric Oven Box ONLY
	-----*	1	Electric Oven Assembly Complete
2	-----*	-	Electric Element
3	150300	2	#10 x 1/2" Hex Washer TEK Screw
4	802800	1	Sail Switch Box with Cover and Bracket ONLY
	802801	1	Sail Switch Box Assembly Complete (includes illus. nos. 4 through 12)
5	154004	1	Twin Speed Nut
6	150309	2	#10-16 x 1/2" Hex Head TEK Crimptite Screw
7	802799	1	Sail Switch Box Cover ONLY
8	122200	1	Sail Switch
9	150303	2	#4 x 3/4" Pan Head "A" Machine Screw
10	105500	1	Sail Switch Actuator Rod
11	319202	1	Sail Switch Damper (flat)
12	154002	1	1/8" Push On Fastener
13	150300	2	#10 x 1/2" Hex Washer TEK Screw
14	803100	1	Electric Oven Front Cover ONLY
15	320611	1	Large Relay Box Cover ONLY
16	150402	2	#10-24 x 5/8" Slotted Truss Head Machine Screw
17	130400	1	290° Hi-Limit
18	150300	2	#10 x 1/2" Hex Washer TEK Screw
19	154001	1	#10-24 Speed Nut
20	121010	1	L-70 Ground Lug
21	152014	3	1/4-20 Free Spin Wash Nut
22	-----*	1	Oven Relay
23	-----*	1	Oven Relay Replacement Coil
24	120081	-	Internal Ceramic Insulator (<u>2 per element</u>)
25	120080	-	External Ceramic Insulator (<u>2 per element</u>)
26	152008	-	#10-32 Hex Nut (<u>4 per element</u>)
27	121011*	-	Bus Bar (sold by the foot)
28	-----*	-	Terminal Lug
29	153009	-	#10 Star Washer (<u>2 per element</u>)
30	320607	1	Large Electric Oven Right Side Cover ONLY
31	150402	2	#10-24 x 5 / 8" Slotted Truss Head Machine Screw

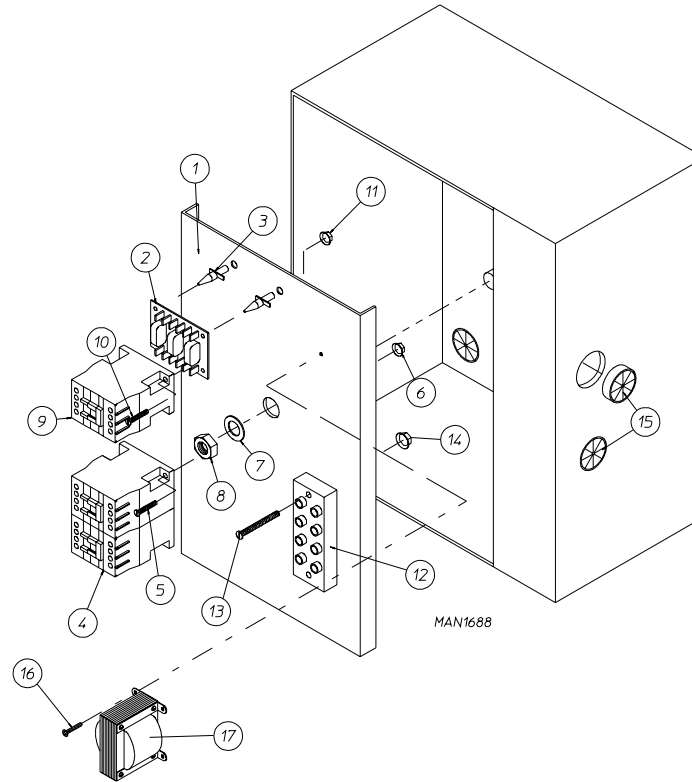
* Refer to **Electric Oven Component Application Chart** on page 55.



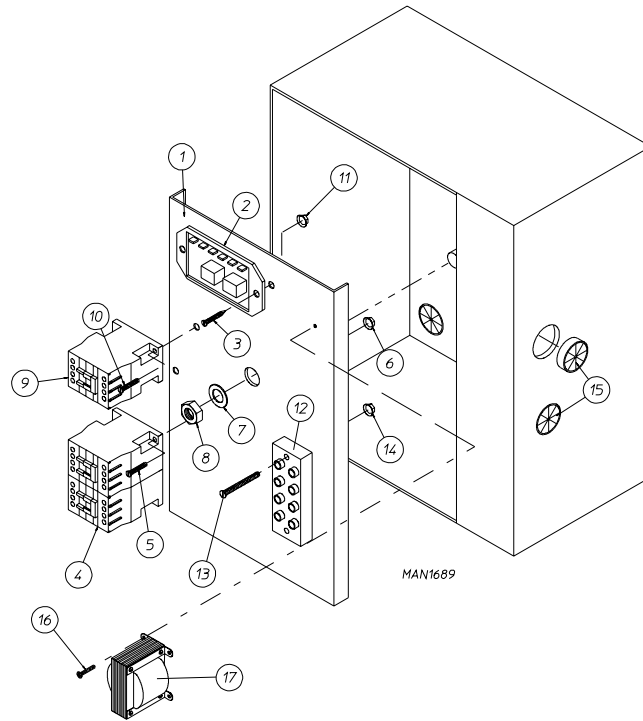
<u>Illus. No.</u>	<u>Part No.</u>	<u>Qty.</u>	<u>Description</u>
1	132451	1	2-Pole Contactor - 24 VAC
2	150299	2	#10 x 1" Hex Head Screw
3	824828	1	RC Network with Connectors (for microprocessor [computer] controlled models Only)
-	322809	1	Back Electrical Box Cover...Not Illustrated
-	150301	4	#8-18 x 7/16" Phillips Pan Head TEK Screw...Not Illustrated



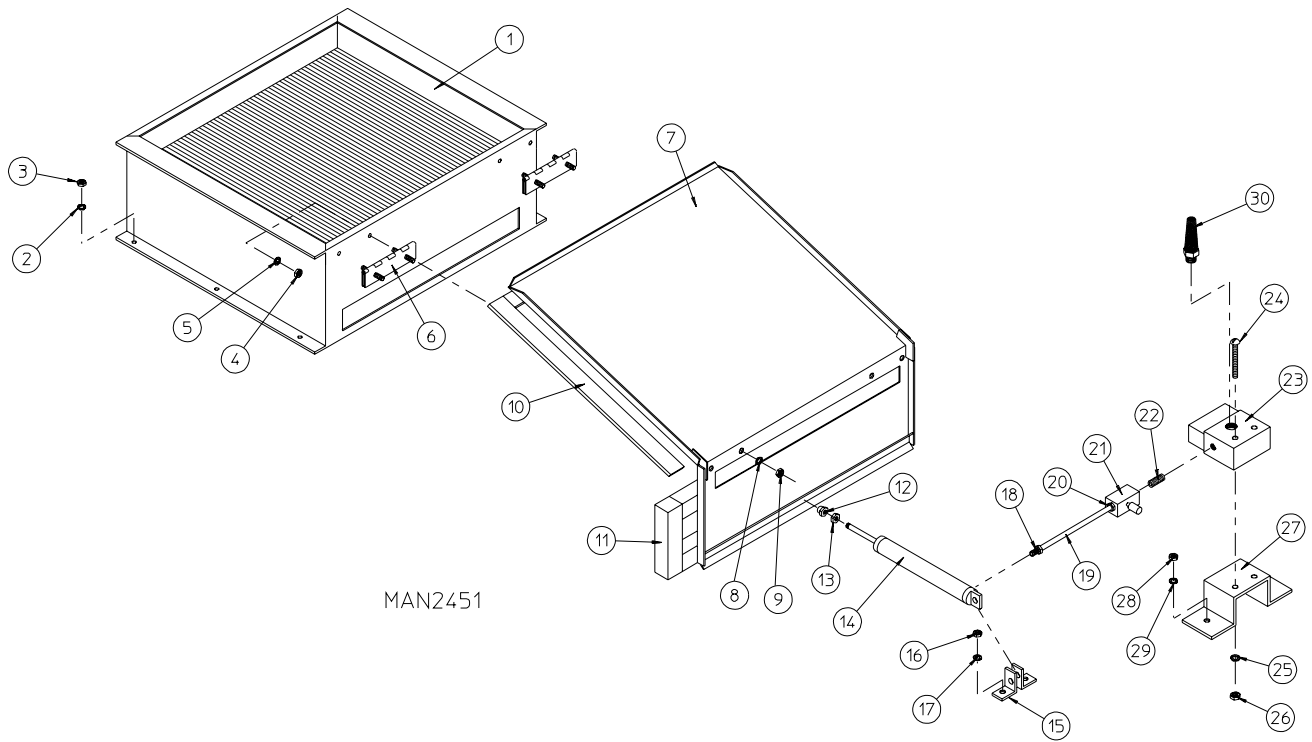
<u>Illus. No.</u>	<u>Part No.</u>	<u>Qty.</u>	<u>Description</u>
1	322812	1	Back Electrical Box Component Plate
2	132430	1	Impellor Contactor - 24 VAC (208/230/240v - 50/60 Hz)
	132432	1	Impellor Contactor Replacement Coil - 24 VAC (208/230/240v - 50/60 Hz)
3	150103	2	#8-32 x 3/4" Phillips Round Head Machine Screw
4	151001	2	#8-32 Pal Nut
5	153002	1	5/16-18 Lock Washer
6	152004	1	5/16-18 Hex Nut
7	120701	1	4-Position Terminal Block
8	150008	2	#6-32 x 1-1/4" Slotted Round Head Machine Screw
9	151000	2	#6-32 Pal Nut
10	121300	3	Open/Close Bushing
11	137015	1	RC Filter (for microprocessor [computer] controlled models Only)
12	150300	2	#10 x 1/2" Hex Washer TEK Screw
13	-----	-	Transformer - 24 VAC (refer to Transformer Usage Listings on page 53 and page 54)
---	322809	1	Back Electrical Box Cover...Not Illustrated
---	150301	4	#8-18 x 7/16" Phillips Pan Head TEK Screw...Not Illustrated



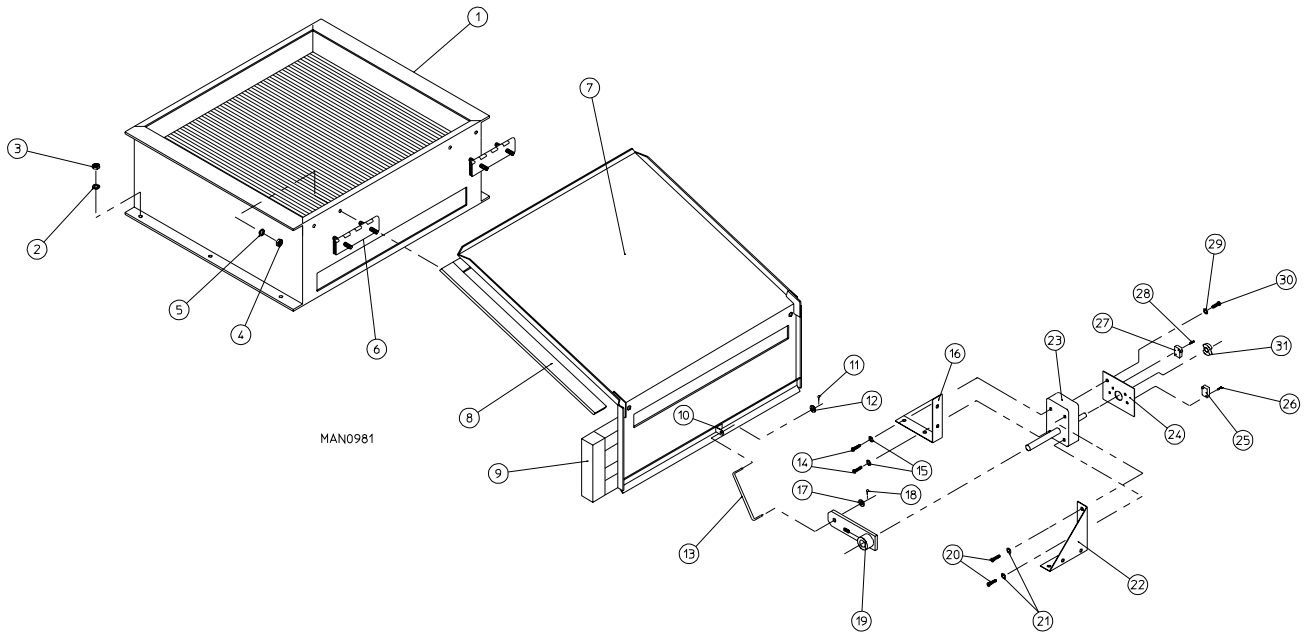
<u>Illus. No.</u>	<u>Part No.</u>	<u>Qty.</u>	<u>Description</u>
1	322812	1	Back Electrical Box Component Plate
2	137060	1	Arc Suppressor (A.S.) Board
3	137013	4	Nylon Standoff
4	132431	1	Reversing Contactor - 24 VAC (208/230/240v - 50/60 Hz)
	132432	1	Reversing Contactor Replacement Coil - 24 VAC (208/230/240v - 50/60 Hz)
5	150103	2	#8-32 x 3/4" Phillips Round Head Machine Screw
6	151001	2	#8-32 Pal Nut
7	153002	1	5/16-18 Lock Washer
8	152004	1	5/16-18 Hex Nut
9	132430	1	Impellor Contactor - 24 VAC (208/230/240v - 50/60 Hz)
	132432	1	Impellor Contactor Replacement Coil - 24 VAC (208/230/240v - 50/60 Hz)
10	150103	2	#8-32 x 3/4" Phillips Round Head Machine Screw
11	151001	2	#8-32 Pal Nut
12	120701	1	4-Position Terminal Block
13	150008	2	#6-32 x 1-1/4" Slotted Round Head Machine Screw
14	151000	2	#6-32 Pal Nut
15	121300	3	Open/Close Bushing
16	150300	2	#10 x 1/2" Hex Washer TEK Screw
17	-----	-	Transformer - 24 VAC (refer to Transformer Usage Listings on page 53 and page 54)
---	322809	1	Back Electrical Box Cover...Not Illustrated
---	150301	4	#8-18 x 7/16" Phillips Pan Head TEK Screw...Not Illustrated



<u>Illus. No.</u>	<u>Part No.</u>	<u>Qty.</u>	<u>Description</u>
1	322812	1	Back Electrical Box Component Plate
2	132198	1	Reversing Timer - 24 VAC (50/60 Hz)
3	150301	2	#8-18 x 7/16" Phillips Pan Head TEK Screw
4	132431	1	Reversing Contactor - 24 VAC (208/230/240v - 50/60 Hz)
	132432	1	Reversing Contactor Replacement Coil - 24 VAC (208/230/240v - 50/60 Hz)
5	150103	2	#8-32 x 3/4" Phillips Round Head Machine Screw
6	151001	2	#8-32 Pal Nut
7	153002	1	5/16-18 Lock Washer
8	152004	1	5/16-18 Hex Nut
9	132430	1	Impellor Contactor - 24 VAC (208/230/240v - 50/60 Hz)
	132432	1	Impellor Contactor Replacement Coil - 24 VAC (208/230/240v - 50/60 Hz)
10	150103	2	#8-32 x 3/4" Phillips Round Head Machine Screw
11	151001	2	#8-32 Pal Nut
12	120701	1	4-Position Terminal Block
13	150008	2	#6-32 x 1-1/4" Slotted Round Head Machine Screw
14	151000	2	#6-32 Pal Nut
15	121300	3	Open/Close Bushing
16	150300	2	#10 x 1/2" Hex Washer TEK Screw
17	-----	-	Transformer - 24 VAC (refer to Transformer Usage Listing on page 53 and page 54)
---	322809	1	Back Electrical Box Cover...Not Illustrated
---	150301	4	#8-18 x 7/16" Phillips Pan Head TEK Screw...Not Illustrated

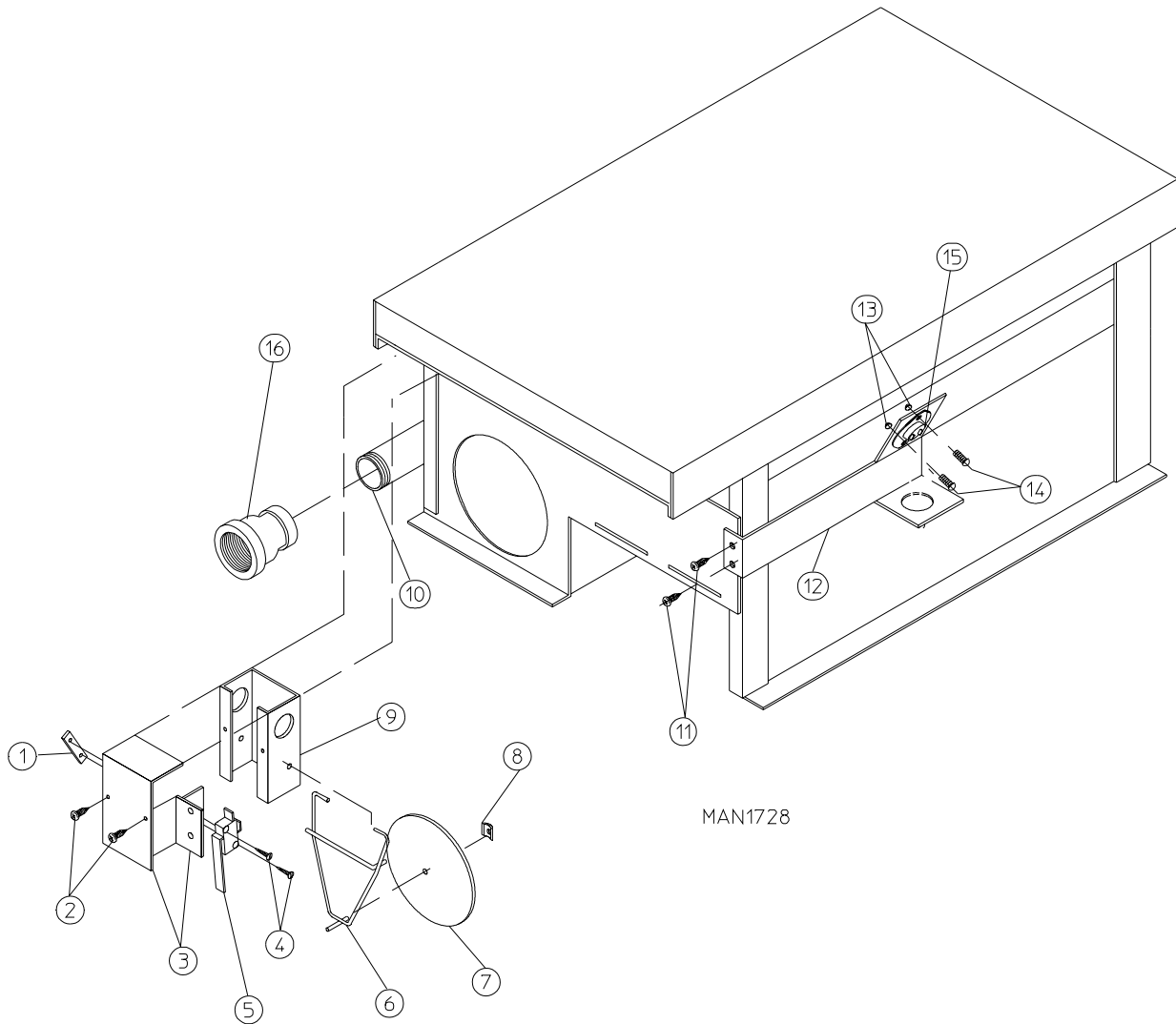


<u>Illus. No.</u>	<u>Part No.</u>	<u>Qty.</u>	<u>Description</u>
1	165008	1	Steam Coil Assembly
2	153002	6	5/16" Lock Washer
3	152004	6	5/16-18 Hex Nut
4	152002	4	1/4-20 Hex Nut
5	153007	4	1/4" Lock Washer
6	820321	2	Steam Damper Hinge Assembly
7	803416	1	Steam Damper Assembly (includes illus. nos. 7, 10, and 11)
8	153007	4	1/4" Lock Washer
9	152002	4	1/4-20 Hex Nut
10	115995	60	Steam Damper Gasket (sold by the inch)
11	102350	1	68-1/2" Long Steam Damper Foam Gasket
12	151006	1	5/16-24 Stainless Steel Acorn Nut
13	152051	1	5/16-24 Right Hand Jam Nut
14	100495	1	11/16" x 3" Stroke Piston
15	323365	2	Left and Right Piston Support
16	152002	2	1/4-20 Hex Nut
17	153007	2	1/4" Lock Washer
18	100472	1	1/4" Poly x 1 / 8" M.P.T. Connector
19	143110	1	1/4" Poly-Flo Tubing (sold by the foot)
20	100472	1	1/4" Poly x 1/ 8" M.P.T. Connector
21	100496	1	1/8" Needle Valve
22	143238	1	1/8" Brass Close Nipple
23	100498	1	3-Way Micro Valve - 24 VAC
24	150002	2	#6-32 x 1" Machine Bolt
25	153010	2	#6 Star Washer
26	152000	2	#6-32 Hex Nut
27	330987	1	Micro Valve Support
28	152002	2	1/4-20 Hex Nut
29	153007	2	1/4" Lock Washer
30	100520	1	1/8" N.P.T. Silencer (muffler)

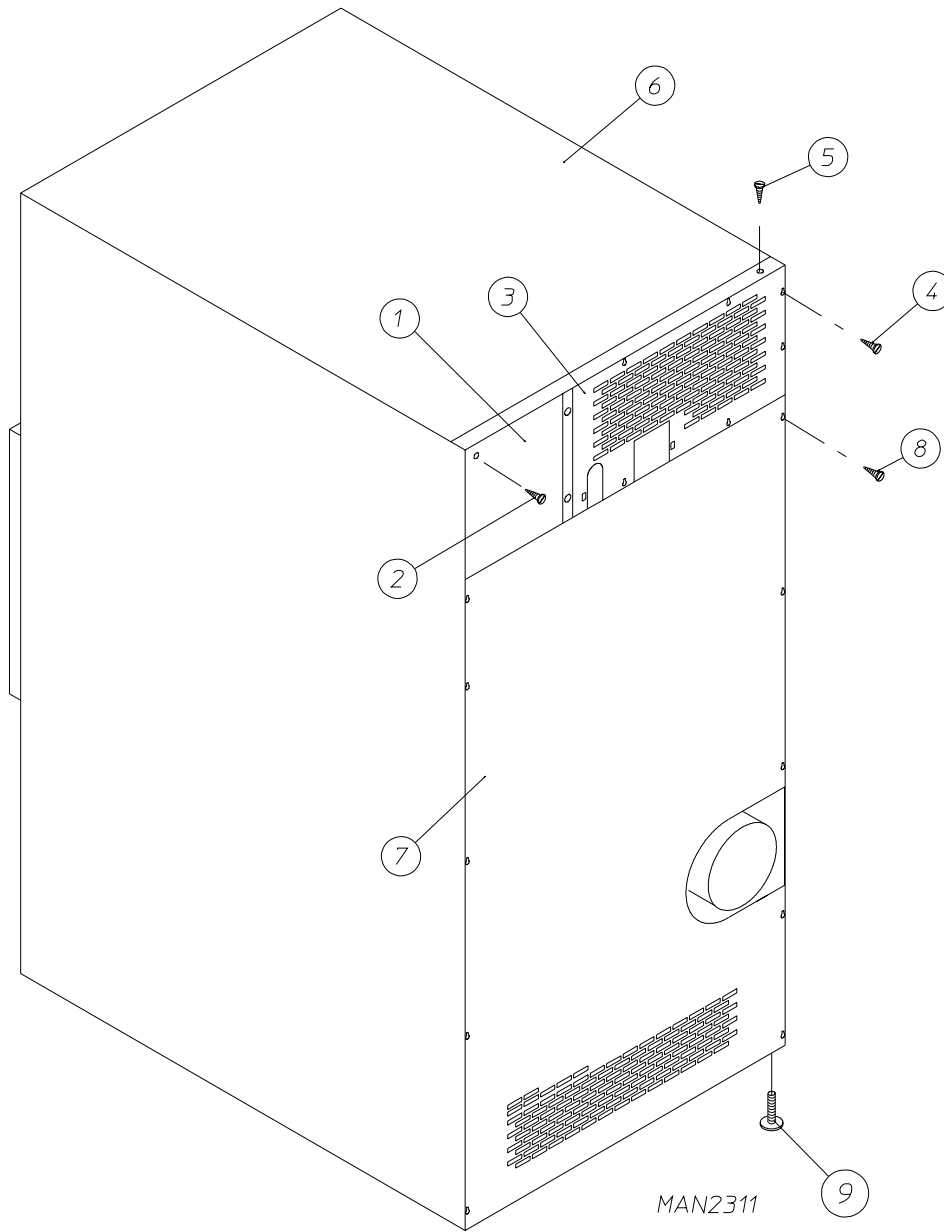


<u>Illus. No.</u>	<u>Part No.</u>	<u>Qty.</u>	<u>Description</u>
1	165008	1	Steam Coil Assembly
2	153002	6	5/16" Lock Washer
3	152004	6	5/16-18 Hex Nut
4	152002	4	1/4-20 Hex Nut
5	153007	4	1/4" Lock Washer
6	820321	2	Steam Damper Hinge Assembly
7	880780	1	Steam Damper Assembly (includes illus. nos. 7 through 10)
8	115995	60	Steam Damper Gasket (sold by the inch)
9	102350	1	68-1/2" Long Steam Damper Foam Gasket
10	309300	1	Rod Bracket
11	154300	1	1/2" x 3/32" Cotter Pin
12	153022	1	#10 Steel Burr
13	104052	1	Mechanical Steam Damper Actuator Rod
14	150110	2	#8-32 x 1/4" Phillips Head Machine Screw
15	153012	2	#8 Star Washer
16	312315	1	Mechanical Steam Damper Motor Mount
17	153022	1	#10 Steel Burr
18	154300	1	1/2" x 3/32" Cotter Pin
19	850268	1	Mechanical Steam Damper Arm
20	150110	2	#8-32 x 1/4" Phillips Head Machine Screw
21	153012	2	#8 Star Washer
22	312315	1	Mechanical Steam Damper Motor Mount
23	104054	1	Mechanical Steam Damper Motor
24	100511	1	Mechanical Steam Damper Switch Plate
25	122120	1	Mechanical Steam Damper Switch
26	150026	2	#4-40 x 5/8" Phillips Pan Head Machine Screw
27	122120	1	Mechanical Steam Damper Switch
28	150026	2	#4-40 x 5/8" Phillips Pan Head Machine Screw
29	153012	2	#8 Star Washer
30	150102	2	#8-32 x 3/8" Pan Head Machine Screw
31	-----*	1	Mechanical Steam Damper Motor Cam

* The Mechanical Steam Damper Motor Cam is part of the Mechanical Steam Damper Motor.



<u>Illus. No.</u>	<u>Part No.</u>	<u>Qty.</u>	<u>Description</u>
1	154004	1	Twin Speed Nut
2	150309	2	#10-16 x 1/2" Hex Head TEK Crimptite Screw
3	802799	1	Sail Switch Box Cover and Bracket ONLY
4	150303	2	#4 x 3/4" Pan Head "A" Machine Screw
5	122200	1	Sail Switch ONLY
6	105500	1	Sail Switch Actuator Rod
7	319202	1	Sail Switch Damper (flat)
8	154002	1	1/8" Push On Fastener
9	802800	1	Sail Switch Box with Cover and Bracket ONLY
	802801	1	Sail Switch Assembly Complete (includes illus. nos. 1 through 8)
10	142809	1	1/2" x 29-1/8" Pipe
11	150309	2	#10-16 x 1/2" Hex Head TEK Crimptite Screw
12	319704	1	Hi-Limit Mounting Bracket ONLY
13	151000	2	#6-32 Pal Nut
14	150001	2	#6-32 x 1/2" Round Head Machine Screw
15	130401	1	330° Hi-Limit ONLY
16	143000	1	1/2" x 3/4" Reducing Coupling



Illus. No.	Part No.	Qty.	Description
1	322809	1	Back Electrical Box Cover
2	150301	4	#8-18 x 7/16" Phillips Pan Head TEK Screw
3	330077	1	Top Back Guard <i>(No Top Back Guard on Steam Models)</i>
4	150301	7	#8-18 x 7/16" Phillips Pan Head TEK Screw
5	150301	10	#8-18 x 7/16" Phillips Pan Head TEK Screw
6	312510	1	Outer Top <i>(No Outer Top on Steam Models)</i>
7	314409	1	Bottom Back Guard
8	150301	13	#8-18 x 7/16" Phillips Pan Head TEK Screw
9	103500	4	Leveling Leg

NOTE: Coin Acceptors listed included Optical Switch (ADC Part No. 137056).

Single Coin*

ADC Part No.	Nation	Description
125100	U.S. and Canada	25¢ Optic Coin Acceptor
125101	United Kingdom	10 New Pence Optic Coin Acceptor
125114	United Kingdom	20 New Pence Optic Coin Acceptor
125120	France	2 French Franc Optic Coin Acceptor
125124	France	5 French Franc Optic Coin Acceptor
125107	Australia	20¢ Australian Optic Coin Acceptor
125130	Australia	\$1 Australian Optic Coin Acceptor
125123	New Zealand	50¢ New Zealand Optic Coin Acceptor
881604	Japan	100 Yen Hanke Optic Coin Acceptor
125103	---	.882 Token Optic Coin Acceptor
125121	---	.800 Token Optic Coin Acceptor
125129	---	Muller Token Optic Coin Acceptor
125132	Singapore	50¢ Singapore Optic Coin Acceptor
125133	Hong Kong	\$1 Hong Kong Optic Coin Acceptor

Dual Coin*

881508	U.S. and Canada	10¢/25¢ Hanke Dual Optic Coin Acceptor
881842	Canada	25¢/\$1 Hanke Dual Optic Coin Acceptor
881542	United Kingdom	1£/20 Pence Hanke Dual Optic Coin Acceptor
881846	France	2/5 Franc Hanke Dual Optic Coin Acceptor
125134	Denmark	1/5 Danish Krone Dual Optic Coin Acceptor
125126	Netherlands	25¢/1 Guilder Dual Optic Coin Acceptor

* Consult factory for Coin Acceptors not listed.

HEAT	VOLTAGE	WIRE SERVICE	STEP DOWN TRANSFORMER PART No.	CONTROL VOLTAGE PART No.
Gas / Steam	208-240	3or 4	-----	141403
	380	3	132059	141403
	380	4	132059	141403
	416	3	132062	141403
	416	4	132062	141403
	460/480	3	132053	141403
	460/480	4	132053	141403
	575	3	132050	141403

NOTE: Information not listed was not available at time of printing contact factory.

KW	VOLTAGE	PHASE	WIRE SERVICE	STEP DOWN TRANSFORMER PART NO.	CONTROL VOLTAGE PART NO.
48	208	3ø	3 or 4	-----	-----
48	240	3ø	3	-----	-----
48	380	3ø	3 or 4	-----	-----
48	416	3ø	3 or 4	-----	-----
48	460/480	3ø	3 or 4	-----	-----
42	208	3ø	3 or 4	-----	-----
42	240	3ø	3	-----	-----
42	380	3ø	3 or 4	-----	-----
42	416	3ø	3 or 4	-----	-----
42	460/480	3ø	3 or 4	-----	-----
40	208	3ø	3 or 4	-----	-----
40	240	3ø	3	-----	-----
40	380	3ø	3 or 4	132059	141403
40	416	3ø	3 or 4	132062	141403
40	460/480	3ø	3 or 4	132053	141403
36	208	3ø	3 or 4	-----	132070
36	240	3ø	3	-----	132070
36	380	3ø	3 or 4	132059	141403
36	416	3ø	3 or 4	132062	141403
36	460/480	3ø	3 or 4	132053	141403
30	208	3ø	3 or 4	-----	132070
30	240	3ø	3	-----	132070
30	380	3ø	3 or 4	132059	141403
30	416	3ø	3 or 4	132062	141403
30	480	3ø	3	132053	141403

NOTE: Information not listed was not available at time of printing contact factory.

KW	VOLT	PHASE	WIR- E	OVEN ASSY*	ELEMENTS			OVEN WIRE			TERMINAL LUG		BUS BAR P/N 121011	OVEN RELAY	
					QTY.	KW	PART No.	QTY.	SIZE	PART No.	QTY.	PART No.		CAT. No.	PART No.
48	208	3ø	3 or 4	881624	6	8	120051	5	#4	133300	6	121010	1	DPA63	131369
48	240	3ø	3	---	-	-	---	-	-	---	-	---	-	---	---
48	380	3ø	3 or 4	---	-	-	---	-	-	---	-	---	-	---	---
48	416	3ø	3 or 4	---	-	-	---	-	-	---	-	---	-	---	---
48	460/480	3ø	3 or 4	825079	6	8	120052	4	#2	133302	6	121010	1	DFAJ	131361
44	400	3ø	4	881625	6	8	120052	5	#6	133200	4	121010	1	DPA63	131369
42	208	3ø	3 or 4	---	-	-	---	-	-	---	-	---	-	---	---
42	240	3ø	3	---	-	-	---	-	-	---	-	---	-	---	---
42	380	3ø	3 or 4	---	-	-	---	-	-	---	-	---	-	---	---
42	416	3ø	3 or 4	---	-	-	---	-	-	---	-	---	-	---	---
42	460/480	3ø	3 or 4	---	-	-	---	-	-	---	-	---	-	---	---
40	208	3ø	3 or 4	---	-	-	---	-	-	---	-	---	-	---	---
40	240	3ø	3	---	-	-	---	-	-	---	-	---	-	---	---
40	380	3ø	3 or 4	---	-	-	---	-	-	---	-	---	-	---	---
40	400	3ø	4	830331	6	6.6	120027	4	#6	133200	6	121010	1	DEAJ	131365
40	416	3ø	3 or 4	824922	6	6.6	120027	4	#6	133200	6	121010	1	DFAJ	131361
40	460/480	3ø	3 or 4	---	-	-	---	-	-	---	-	---	-	---	---
36	208	3ø	3 or 4	824921	6	6	120015	4	#2	133302	6	121010	1	GEAJ	131385
36	240	3ø	3 or 4	824920	6	6	120014	4	#4	133300	6	121012	1	FEAJ	131375
36	380	3ø	3 or 4	---	-	-	---	-	-	---	-	---	-	---	---
36	400	3ø	4	830209	6	6.6	120027	4	#6	133200	3	121010	1	DFAJ	131361
36	416	3ø	3 or 4	---	-	-	---	-	-	---	-	---	-	---	---
36	480	3ø	3 or 4	824026	6	6	120014	4	#8	133100	5	121010	1	DPA43	131357
30	208	3ø	3 or 4	824917	6	5	120012	3	#4	133200	5	121012	1	FEAJ	131375
30	240	3ø	3	824934	6	5	120013	3	#4	133300	5	121012	1	FEAJ	131375
30	380	3ø	3 or 4	824976	6	5	120000	4	#8	133100	6	121010	2	DPA43	131357
30	416	3ø	3 or 4	824949	6	5	120012	4	#8	133100	6	121010	2	DPA43	131357
30	480	3ø	3 or 4	824955	6	5	120013	4	#8	133100	6	121010	2	BFAJ	131351

* Oven Assemblies *do not include* Oven Relay (contactor). This item **must be** ordered separately. When ordering Oven Assembly Complete, specify 3 wire or 4 wire service as well as if the dryer has microprocessor controls.

NOTE: Information not listed was not available at time of printing contact factory.

<u>Part Number</u>	<u>Description</u>
112027	"Water Washed Fabrics" Label
112039	"Black / White / Green Ground" Label
112280	"Clean Lint Screen" Label
112041	"CAUTION - Exhaust/Lint Screen" Label
112534	"Phase 5 OPL Program Location Summary" Label
112533	"Phase 5 Coin Program Location Summary" Label
120100	3/8" Straight BX Connector
120200	3/8" x 90° BX Connector
120300	3/8" x 45° BX Connector
120400	3/8" Red Jacket BX Insulator
120500	3/8" Jiffy Clip BX Retainer Clip
120600	3/8" Greenfield BX
120800	1/4" In-Line Connector
120802	Red Butt Connector
120902	#74B Wire Nut
120903	Crimp-on Wire Nut
121006	#10 Insulated Ring Terminal
121014	1/4" Insulated (Female) Terminal
121026	Tab Receptacle Combination
121499	4" Harness Tie
121500	7" Harness Tie
121503	Harness Tie Mounting Clip
122804	Manometer (water column test gauge)
404500	Almond Brush-in-Cap Bottle Touch-Up Paint
404502	White Brush-in-Cap Bottle Touch-Up Paint
404506	Beige Brush-in-Cap Bottle Touch-Up Paint
404507	Cornflower Blue Brush-in-Cap Bottle Touch-Up Paint
880200	Electrical Terminal (assortment) Kit

ADC450144

1 - 10/11/94-100
4 * 12/28/98-50

2 * 10/30/95-100
5 * 03/02/00-50

3 * 08/07/97-50
6 * 10/12/01-25

