



AD-30x2R Parts Manual

American Dryer Corporation
88 Currant Road
Fall River MA 02720-4781 USA
Telephone: +1 (508) 678-9000 / Fax: +1 (508) 678-9447
e-mail: techsupport@amdry.com

www.adclaundry.com

Retain This Manual In A Safe Place For Future Reference

This product embodies advanced concepts in engineering, design, and safety. If this product is properly maintained, it will provide many years of safe, efficient, and trouble free operation.

ONLY properly licensed technicians should service this equipment.

OBSERVE ALL SAFETY PRECAUTIONS displayed on the equipment or specified in the installation manual included with the dryer.

The following "FOR YOUR SAFETY" caution must be posted near the dryer in a prominent location.

FOR YOUR SAFETY

Do not store or use gasoline or other flammable vapors and liquids in the vicinity of this or any other appliance.

POUR VOTRE SÉCURITÉ

Ne pas entreposer ni utiliser d'essence ni d'autres vapeurs ou liquides inflammables à proximité de cet appareil ou de tout autre appareil.

We have tried to make this manual as complete as possible and hope you will find it useful. The manufacturer reserves the right to make changes from time to time, without notice or obligation, in prices, specifications, colors, and material, and to change or discontinue models.

Important

For your convenience, log the following information:

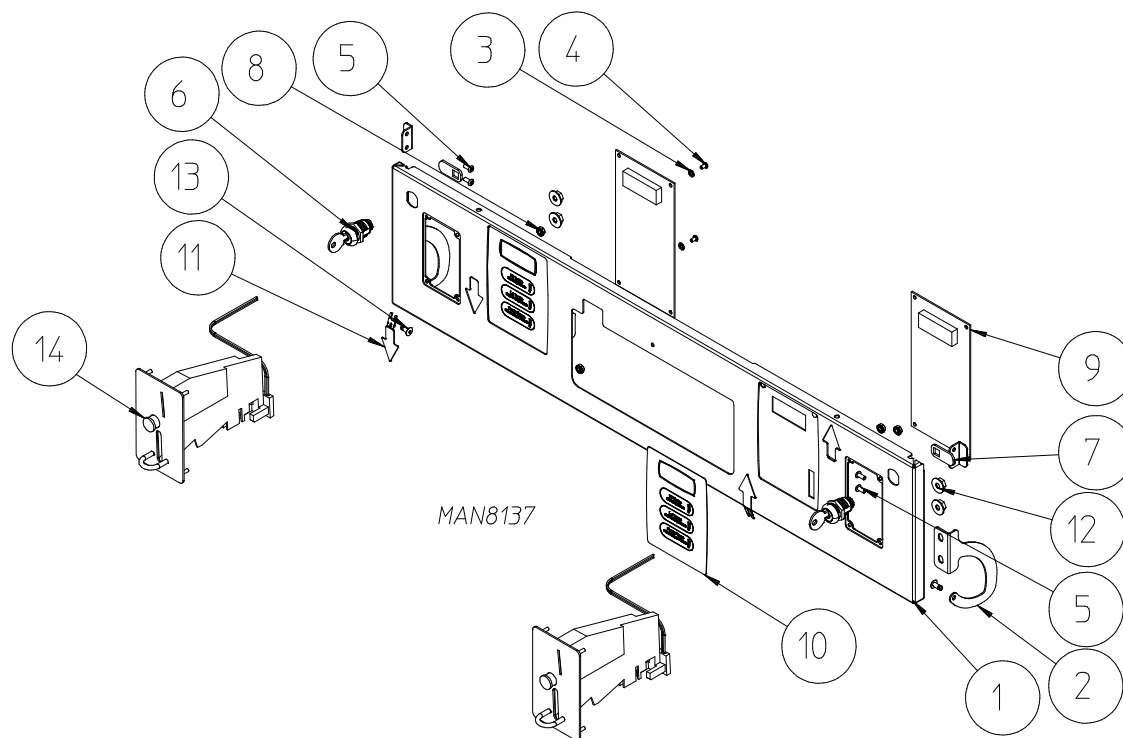
DATE OF PURCHASE _____ MODEL NO. **AD-30x2R**

RESELLER'S NAME _____

Serial Number(s) _____

Phase 5 Coin Control Door Assembly

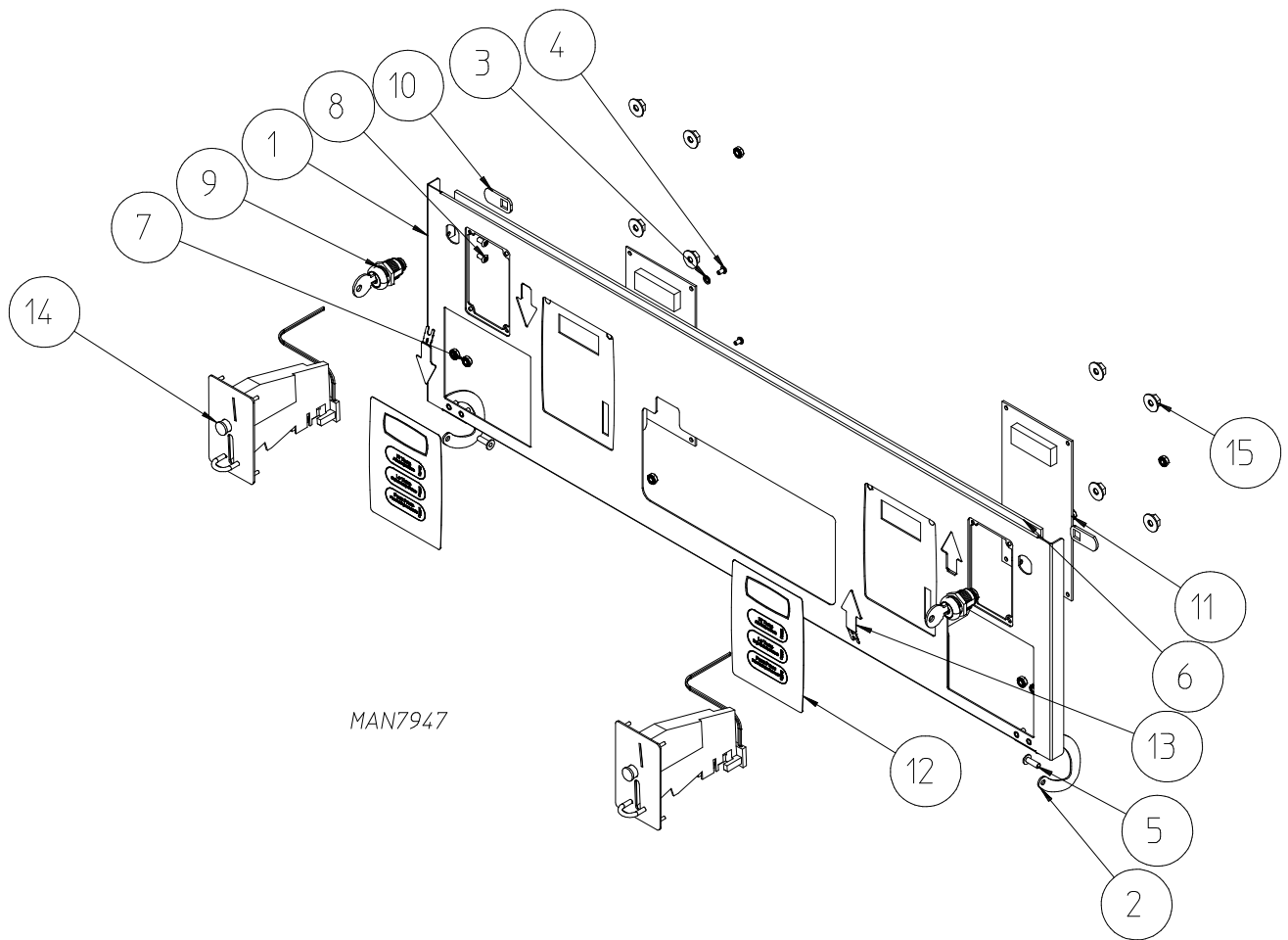
For models mfd. as of March 21, 2014



<u>Illus. No.</u>	<u>Part No.</u>	<u>Qty.</u>	<u>Description</u>
1	830659	1	Phase 5 Coin Control Panel Weldment CRS
2	324537	1	Control Door Hinge
3	153010	2	#6 Internal Star Washer Zinc
4	150005	2	#6-32 X 1/4" Phillips Round Head Machine Screw
5	154359	4	5/32" Buttonhead Steel Rivet
6	160015	2	MK-100 Lock With Hardware
7	160032	2	Straight 1" Cam
8	153073	4	#8-32 Keps Nut
9	137213	2	Phase 5 Coin Computer
10	185694	2	Keypad
11	303343	2	Controller Arrow
12	152014	4	1/4-20 Serrated Hex Flange Nut
13	154219	2	3/16" Pop Rivet SD-62-BS
14	883134	—	25¢ Coin Acceptor with Optic

Phase 5 Coin Control Door Assembly

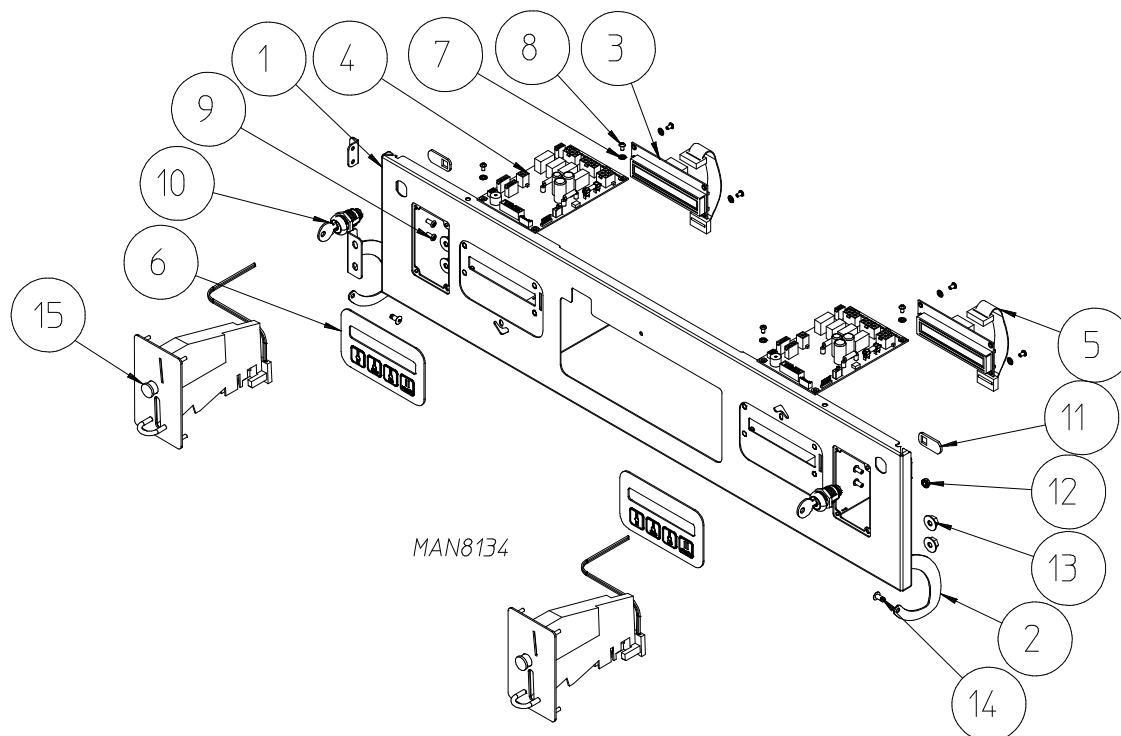
For Models Mfd. prior to March 21, 2014



<u>Illus. No.</u>	<u>Part No.</u>	<u>Qty.</u>	<u>Description</u>
1	830609	1	Phase 5 Coin Control Panel Assembly Less Acceptors (includes illus. nos. 1 through 13)
	830625	1	Control Panel
2	333964	1	Control Door Hinge
3	153010	2	#6 Internal Star Washer
4	150005	2	#6-32 x 1/4" Phillips Machine Screw
5	154220	2	3/16" Pop Rivet
6	117605	3	Noise Suppressor Tape
7	153070	8	#8-32 Keps Nut
8	154200	4	5/32" Pop Rivet
9	160015	2	MK-100 Lock with Hardware
10	160032	2	1" Straight Cam
11	137213	2	Phase 5 Single Computer Board
12	112526	2	Coin Keypad Label Assembly
13	303343	2	Control Panel Arrow
14	883134	—	25¢ Coin Acceptor with Optic
	830059	—	TWD Programmable Coin Acceptor
15	152102	4	M3 Metric Hex Nut

Phase 7 Coin Control Door Assembly

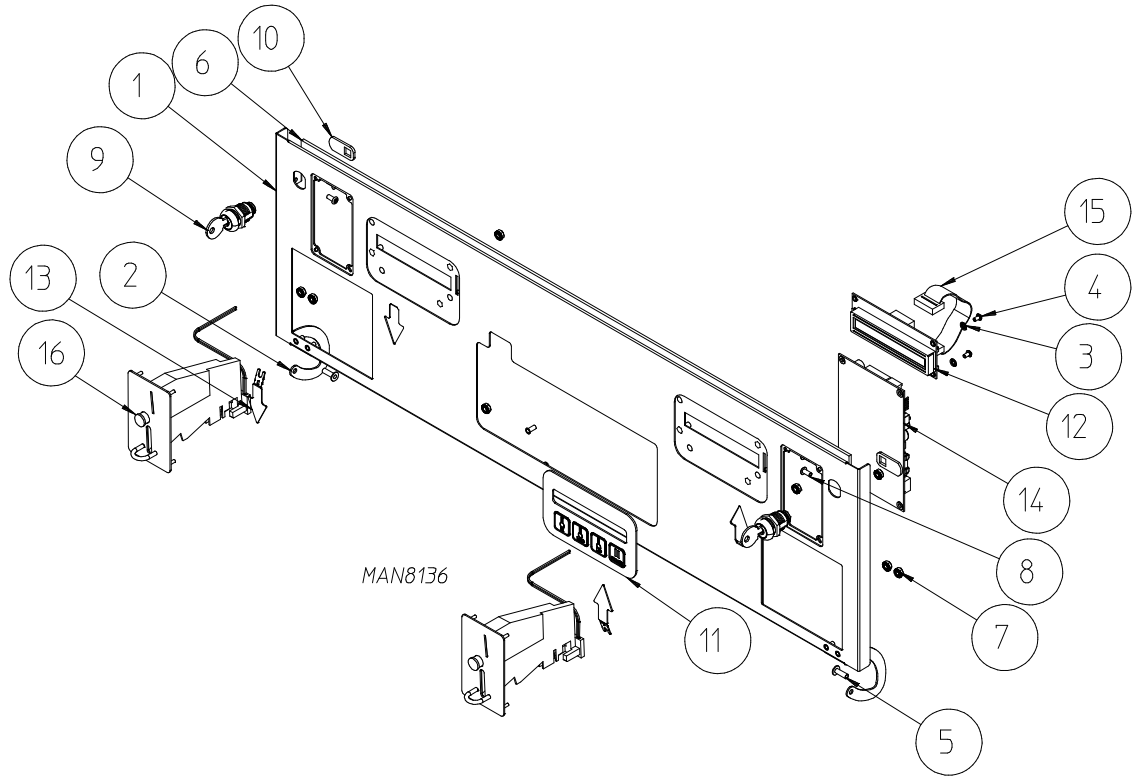
For Models Mfd. as of March 21, 2014



<u>Illus. No.</u>	<u>Part No.</u>	<u>Qty.</u>	<u>Description</u>
1	830660	1	Coin Control Door Assembly Less Acceptors (includes illus. nos. 1 through 14)
	830661	1	Coin Control Panel Weldment CRS
2	324537	1	Control Door Hinge
3	137270	2	16" x 1" Large Character Display
4	836111	2	Phase 7.3 Computer
5	137250	2	Phase 7 Coin L.C.D. Ribbon Cable
6	112575	2	Phase 7 Keypad
7	153010	8	#6 Internal Star Washer Zinc
8	150005	8	#6-32 x 1/4" Phillips Machine Screw
9	154359	4	5/32" Buttonhead Steel Rivet
10	160015	2	MK-100 Lock with Hardware
11	160032	2	Straight 1" Cam
12	153073	2	#8-32 Nut
13	152014	4	1/4-20 Serrated Hex Flange Nut
14	154219	2	3/16" Pop Rivet
15	852317	2	25¢ Coin Acceptor with Optic Switch
	883774	2	Optic Switch Assembly ... Not Illustrated
	836108	2	Japan / Taiwan Dollar Programmable Acceptor ... Not Illustrated

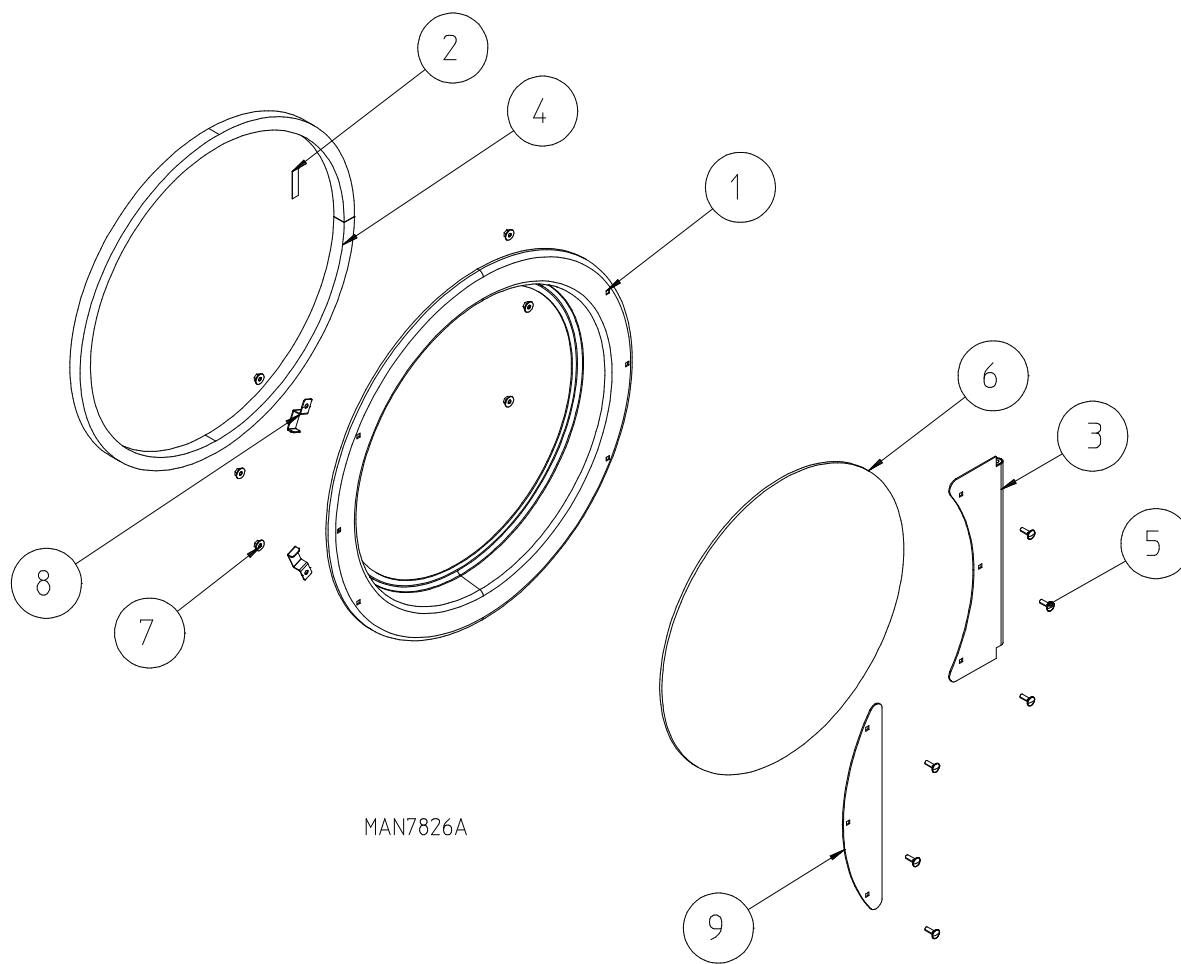
Phase 7 Coin Control Door Assembly

For Models Mfd. prior to March 21, 2014



<u>Illus. No.</u>	<u>Part No.</u>	<u>Qty.</u>	<u>Description</u>
1	830654	1	Phase 7 Coin Control Panel
2	333964	1	Control Door Hinge
3	153010	8	#6 Internal Star Washer Zinc
4	150005	8	#6-32 x 1/4" Phillips Round Head Machine Screw
5	154220	2	3/16" Pop Rivet, Zinc
6	117605	1	.125 x .5625 X 3' Noise Suppression Tape
7	153073	8	#8-32 Keps Nut
8	154359	4	5/32" Buttonhead Steel Rivet
9	160015	2	MK-100 Lock With Hardware
10	160032	2	Straight 1" Cam
11	112575	2	Phase 7 Keypad
12	137270	2	16" x 1" Large Character Display
13	303343	2	Controller Arrow
14	137253	2	Phase 7 Coin Board
15	137250	2	Phase 7 Coin L.C.D. Ribbon Cable
16	852317	—	25¢ Coin Acceptor with Optic
	836108	—	Japan / Taiwan Dollar Programmable Acceptor

Main Door Assembly

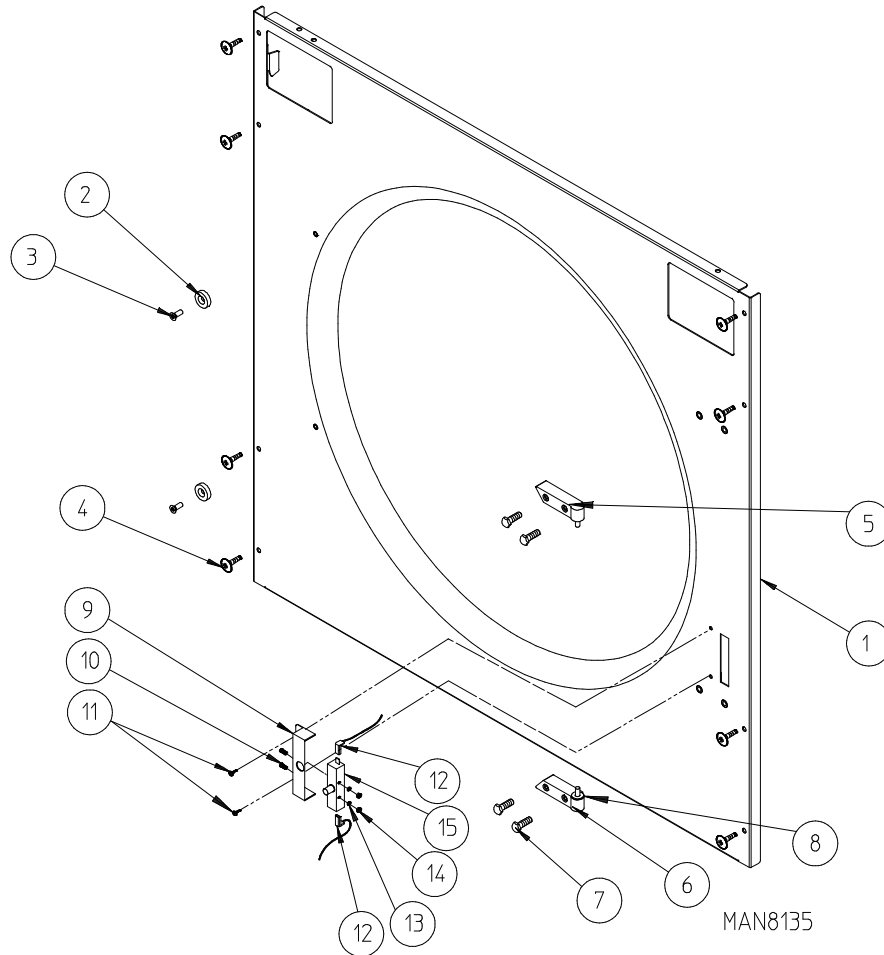


MAN7826A

<u>Illus. No.</u>	<u>Part No.</u>	<u>Qty.</u>	<u>Description</u>
1	822661	1	Magnetic Black Main Door Assembly Complete (includes illus. nos. 1 through 9)
2	110006	1	1/2" Black Strapping Tape
3	851033	1	Cold Rolled Steel Main Door Hinge
4	102354	1	Door Gasket
5	150683	6	1/4-20 x 5/8" Carriage Bolt
6	102224	1	Main Door Glass without Notch
	401055	1	Black Silicone ... Not Illustrated
7	152014	6	1/4-20 Hex Flange Nut
8	319298	2	31-1/4" Main Door Magnet Bracket
9	170337	1	Cold Rolled Steel Main Door Handle

Cold Rolled Steel Door Front Panel

For Models Mfd. as of March 21, 2014

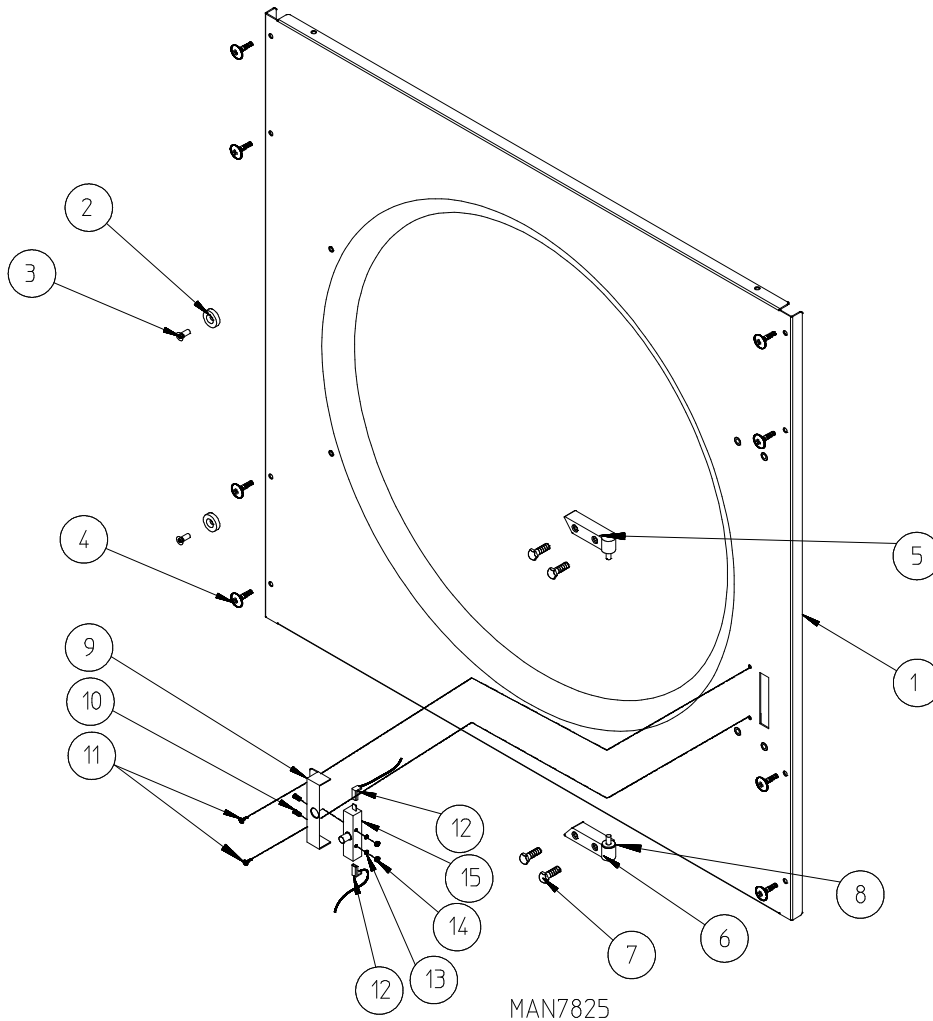


<u>Illus. No.</u>	<u>Part No.</u>	<u>Qty.</u>	<u>Description</u>
1	830695*	1	Bottom Right-Hand Front Panel with Coin Box Cutouts (includes illus. nos. 1 through 3)
	830694*	1	Top Right-Hand Front Panel Assembly (includes illus. nos. 1 through 3)
	830841	1	Bottom Right-Hand Stainless Steel Front Panel with Coin Box Cutouts
	830840	1	Top Right-Hand Stainless Steel Front Panel (includes illus. nos. 1 through 3)
2	102004	2	Round Door Magnet
3	152223	2	#10-32 x 1/2" Flat Undercut Machine Screw
4	150313	—	#10-16 x 1/2" TORX® Button Screw
5	881152	1	Top Hinge Block "black"
6	881151	1	Bottom Hinge Block "black"
7	150445	2	3/4" x 20" x 3/4" Black Cap Setscrew
8	153051	1	1/4" Nylon Washer
9	353162	1	Main Door Switch Housing
10	150006	1	#6-32 x 7/8" Phillips Screw
11	150201	2	#10-32 x 1/4" Phillips Pan Head Screw
12	122636	2	1/4" Flag Terminal
13	153010	2	#6 Star Washer
14	152013	2	#6-32 Hex Nut
15	137005	1	Main Door Switch

* Specify color.

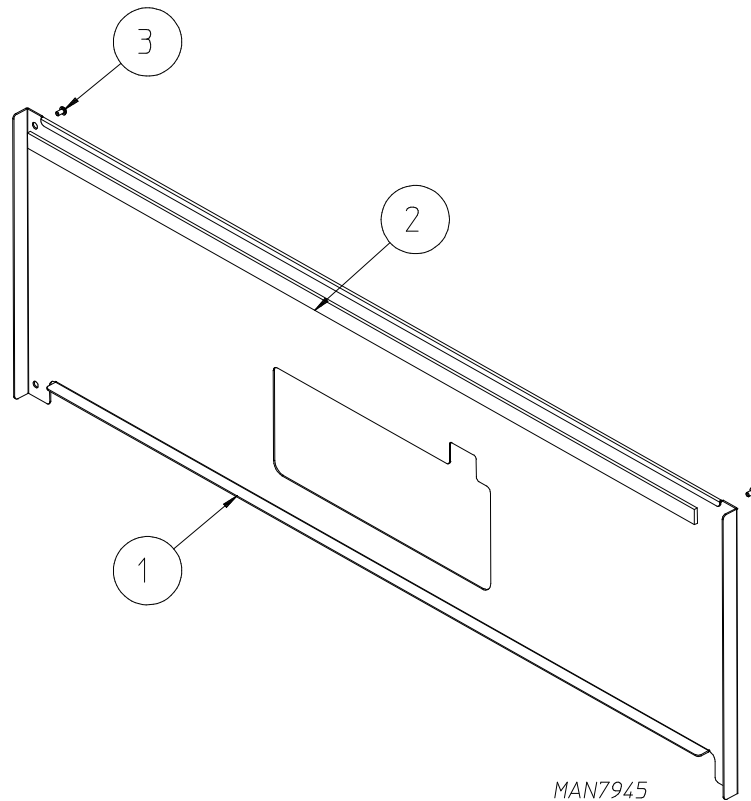
Cold Rolled Steel Door Front Panel

For Models Mfd. prior to March 21, 2014



<u>Illus. No.</u>	<u>Part No.</u>	<u>Qty.</u>	<u>Description</u>
1	830610*	1	Right Hand Front Cold Rolled Steel Panel Assembly (includes illus. nos. 1 through 3)
	830652	1	Right Hand Front Stainless Steel Panel Assembly (includes illus. nos. 1 through 3)
2	102004	2	Round Door Magnet
3	152223	2	#10-32 x 1/2" Flat Undercut Machine Screw
4	150313	—	#10-16 x 1/2" TORX® Button Screw
5	881152	1	Top Hinge Block "black"
6	881151	1	Bottom Hinge Block "black"
7	150445	2	3/4" x 20" x 3/4" Black Cap Setscrew
8	153051	1	1/4" Nylon Washer
9	353162	1	Main Door Switch Housing
10	150006	1	#6-32 x 7/8" Phillips Screw
11	150201	2	#10-32 x 1/4" Phillips Pan Head Screw
12	122636	2	1/4" Flag Terminal
13	153010	2	#6 Star Washer
14	152013	2	#6-32 Hex Nut
15	137005	1	Main Door Switch

* Specify color.

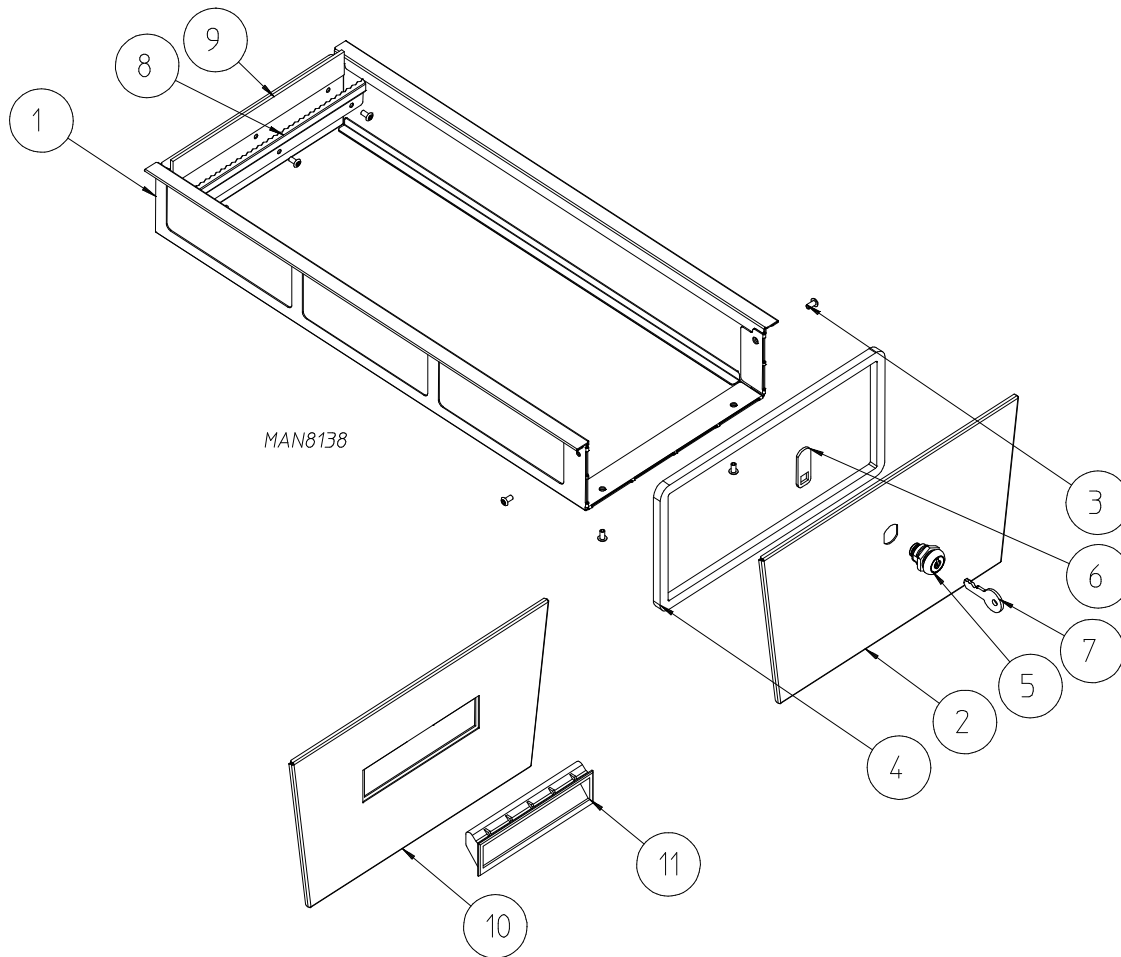


<u>Illus. No.</u>	<u>Part No.</u>	<u>Qty.</u>	<u>Description</u>
1	303374	1	Lower Toe panel (for models mfd. as of March 21, 2014)
	830638*	1	Lower Toe Panel Assembly (for models mfd. prior to March 21, 2014) (includes illus. nos. 1 and 2)
2	117605	3	Noise Suppression Tape
3	150320	4	#10-16 x 3/4" Black TORX® Screw

* Specify color.

Lint Drawer Assembly

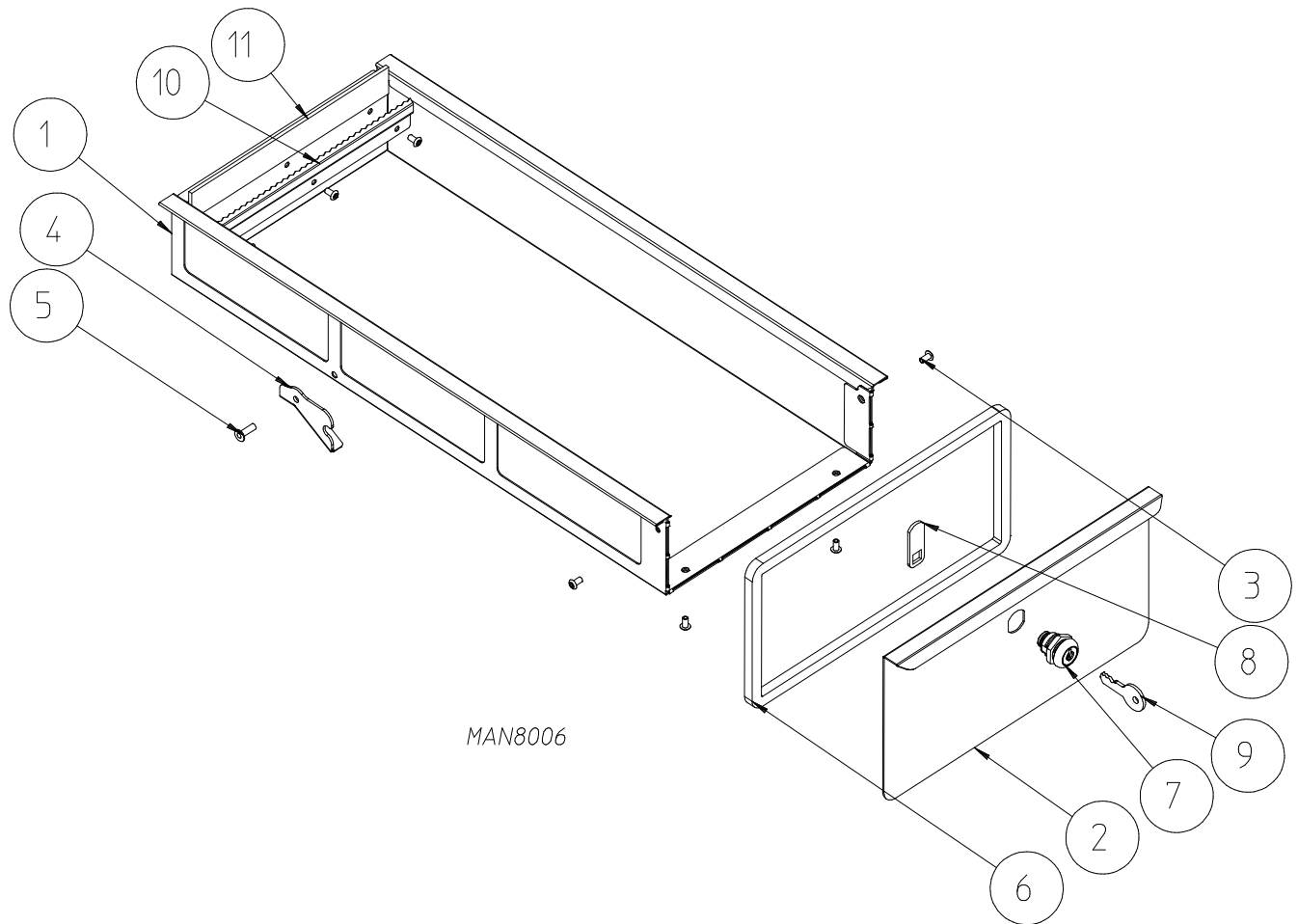
For Models Mfd. as of March 21, 2014



<u>Illus. No.</u>	<u>Part No.</u>	<u>Qty.</u>	<u>Description</u>
1	830689	1	Locking Lint Drawer Assembly (includes illus. nos. 1 through 9)
	830688	1	Non Locking Lint Drawer Assembly (includes illus. nos. 1, 3, 4, and 8 through 11)
	830618	1	Lint Drawer Body Weldment
2	830668	1	Locking Lint Drawer Handle Weldment CRS
3	154211	7	5/32" Buttonhead Rivet, Zinc
4	117617	1	Sponge Tape
5	160001	1	AD-100 Lock ONLY
6	160016	1	1-1/4" Cam for MK-100 Security Lock
7	160103	1	Key for AD-100 Lock
8	303324	1	Lint Drawer Felt Retainer
9	116049	1	8" x 1" x 1/8" Felt
10	830667	1	Non-Locking Lint Drawer Handle Weldment
11	170224	1	Lint Drawer Handle for Non Locking Drawer ONLY

Lint Drawer Assembly

For Models Mfd. prior to March 21, 2014

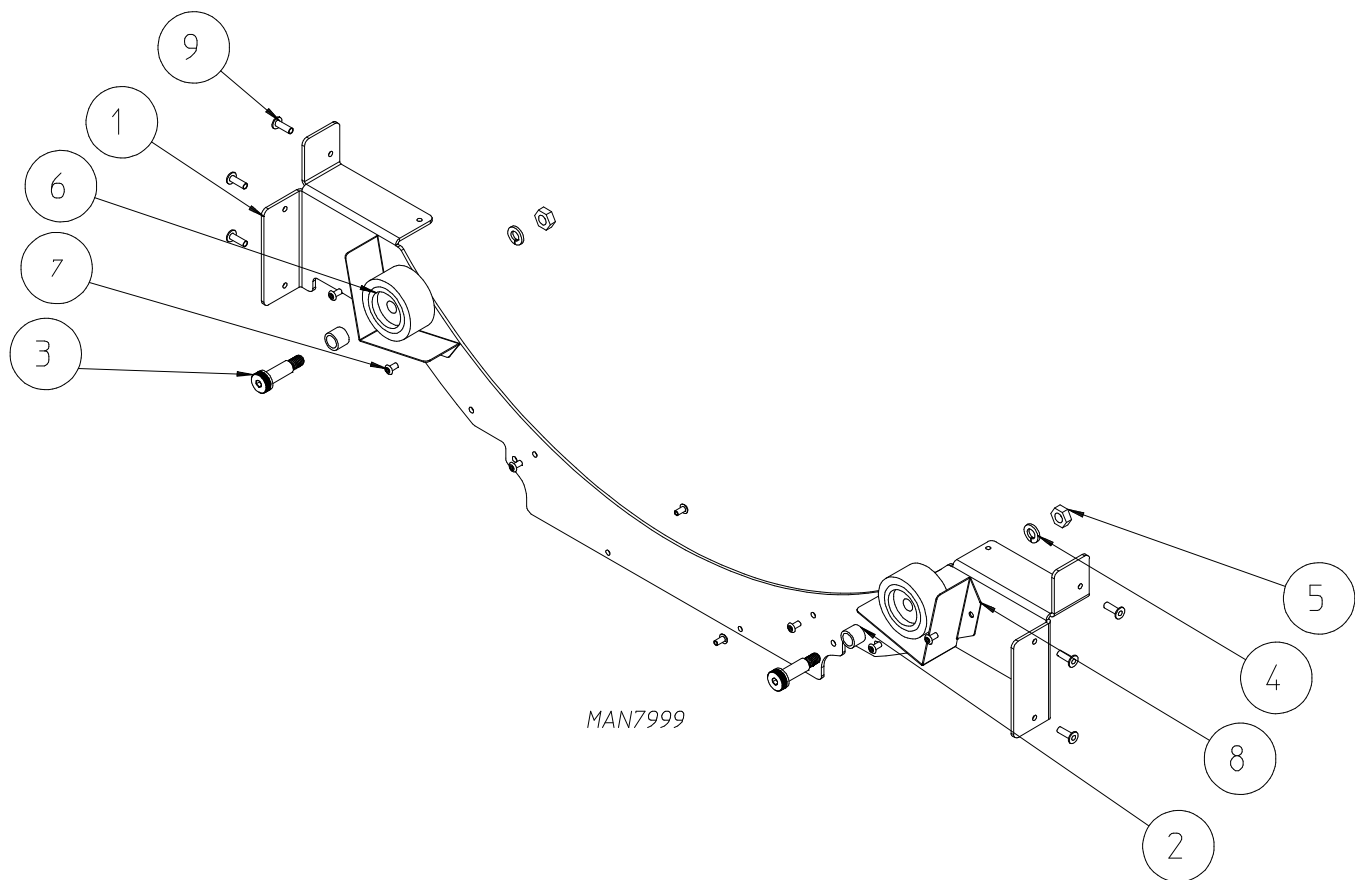


MAN8006

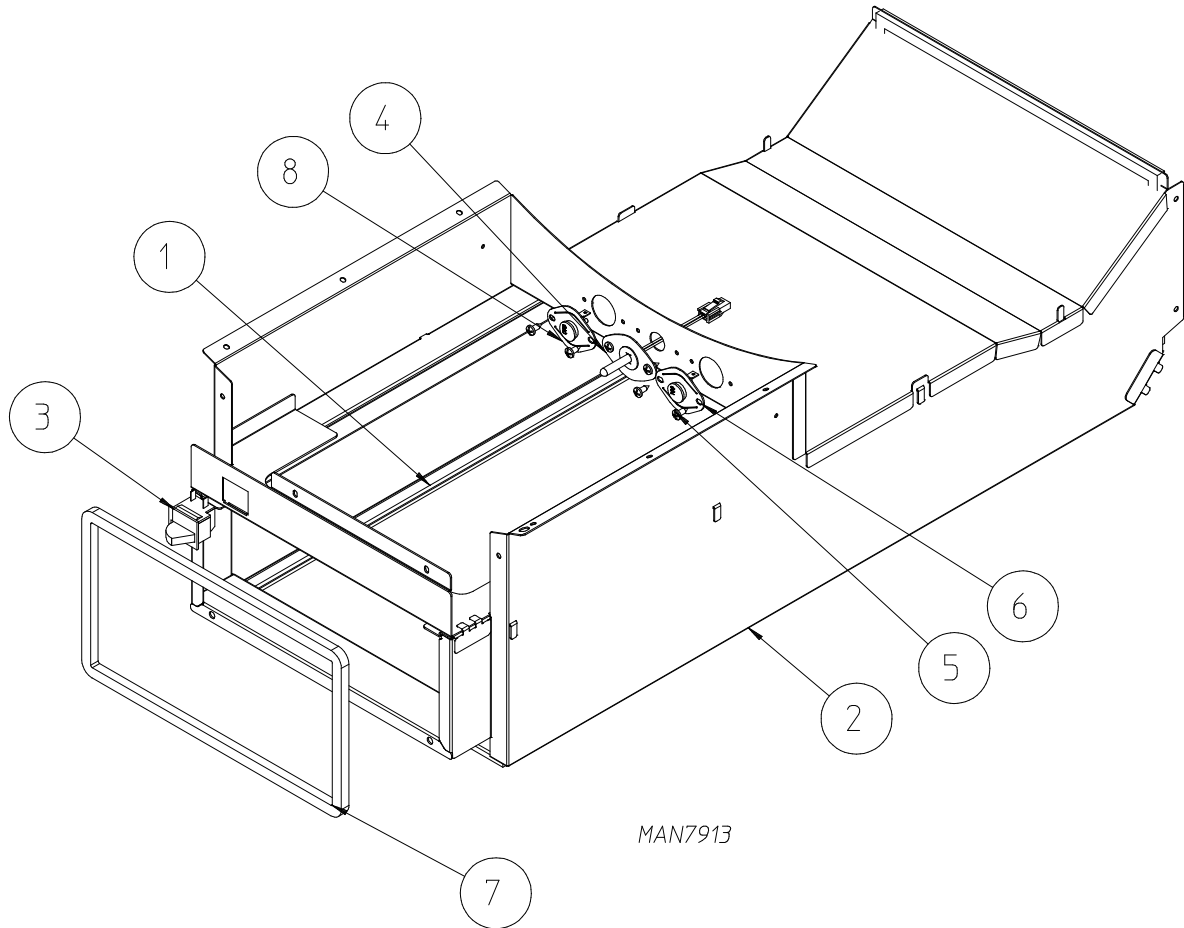
<u>Illus. No.</u>	<u>Part No.</u>	<u>Qty.</u>	<u>Description</u>
1	830618	1	Lint Drawer Body
	830619*	1	Locking Lint Drawer Assembly (includes illus. nos. 1 through 11)
	830617*	1	Lint Drawer Assembly (includes illus. nos. 1 through 6, 10, and 11)
2	830656*	1	Lint Drawer Face
	830655*	1	Locking Lint Drawer Face
3	154211	7	5/32" Buttonhead Rivet
4	345048	1	Lint Drawer Stop
5	154220	1	3/16" Pop Rivet
6	117617	3	3/8" x 5/16" Semi Closed EPDM Sponge Tape
7	160001	1	AD-100 Lock
8	160016	1	1-1/4" Cam
9	160103	1	Key for AD-100 Lock
10	303324	1	Lint Drawer Felt Retainer
11	116049	1	8" x 1" x 1/8" F-7 Felt

* Specify color.

Front Wheel Bracket Assembly



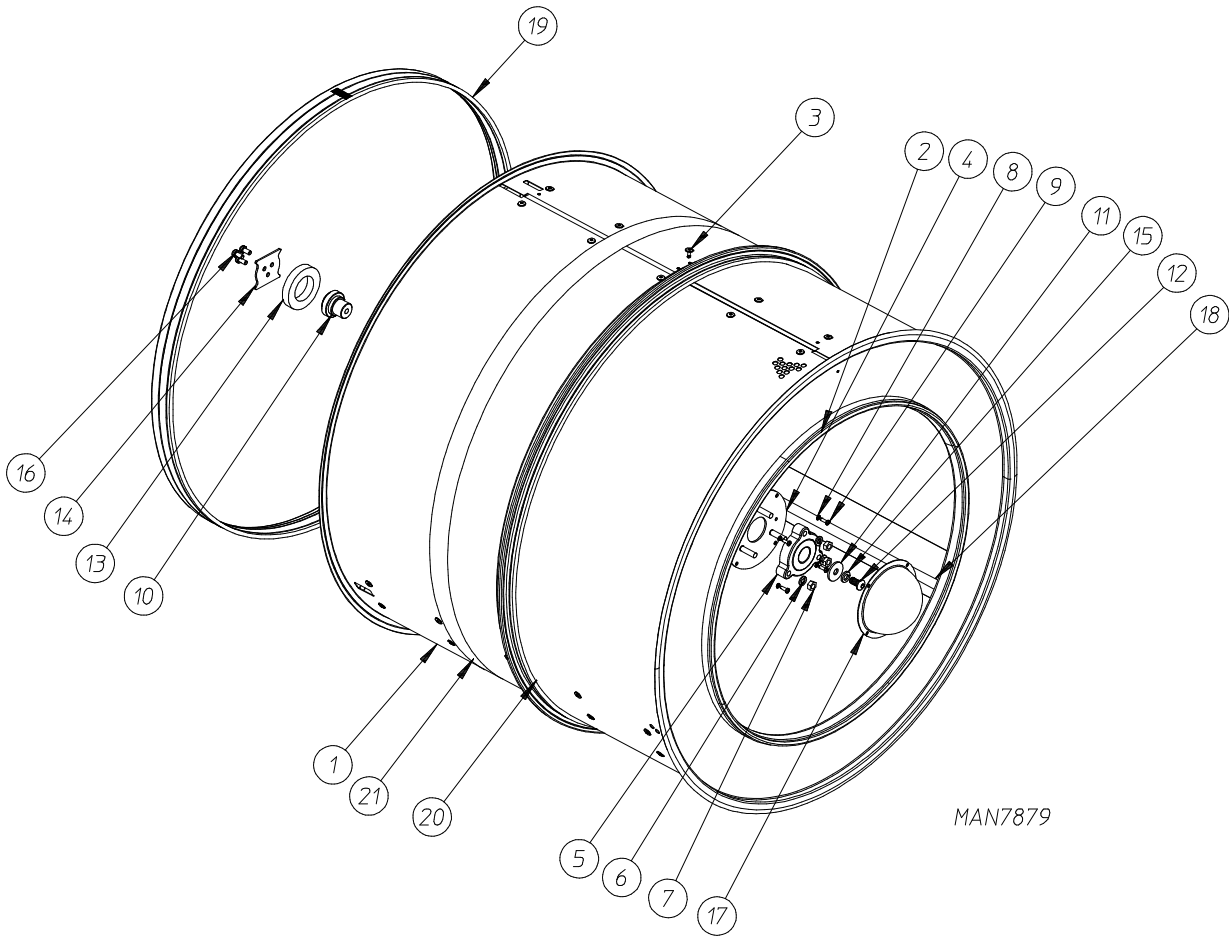
<u>Illus. No.</u>	<u>Part No.</u>	<u>Qty.</u>	<u>Description</u>
1	830612	1	Front Wheel Bracket Assembly (includes illus. nos. 1 through 9)
	303383	1	Front Wheel Support Bracket Only (for models mfd. as of March 21, 2014)
	303317	1	Front Wheel Support Bracket Only (for models mfd. prior to March 21, 2014)
2	154284	2	Tumbler Wheel Spacer
3	154264	2	10M8 x 25 mm Shoulder Screw
4	153002	2	5/16" Black Washer
5	154013	2	M8 Hex Nut
6	180050	2	Tumbler Wheel
7	154200	8	5/32" Pop Rivet
8	303331	1	2" Wheel Guard
9	154220	6	3/16" Pop Rivet



MAN7913

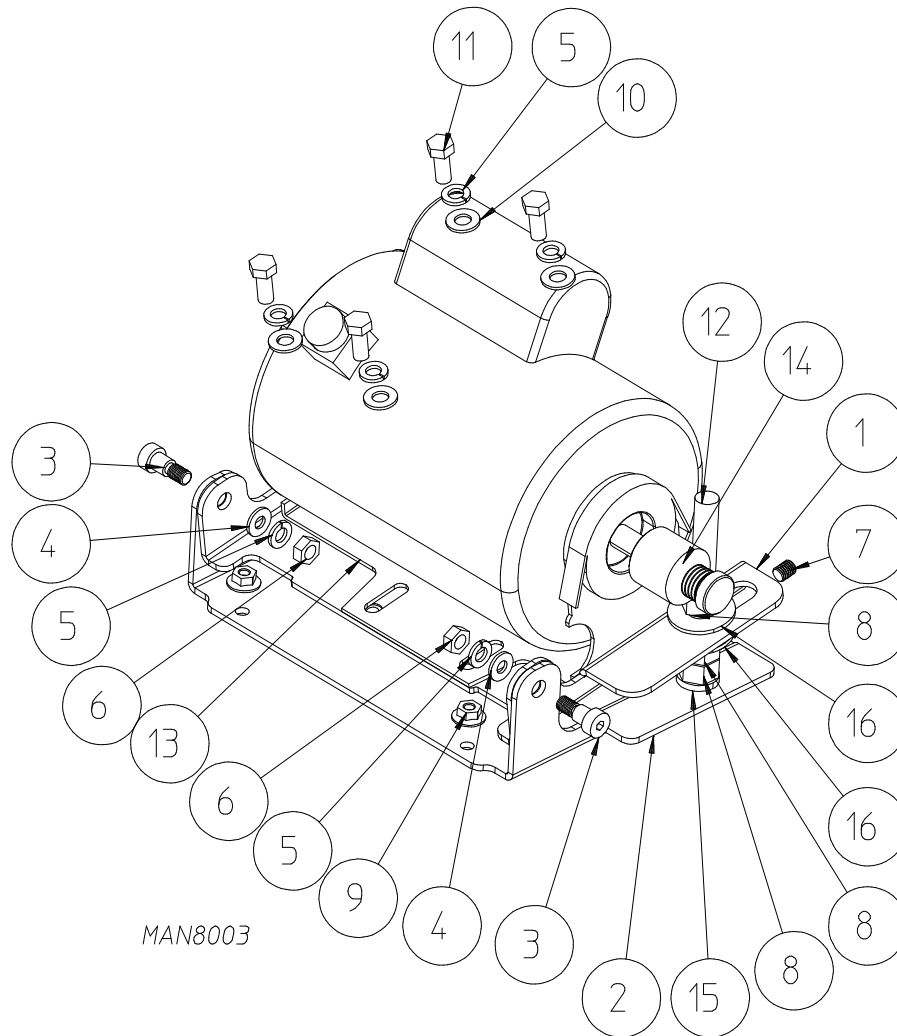
<u>Illus. No.</u>	<u>Part No.</u>	<u>Qty.</u>	<u>Description</u>
1	117617	—	3/8" x 5/16" Foam Gasket (sold by the foot)
2	830613	1	Lint Coop Assembly Complete (includes illus. nos. 1 through 8)
	830614	1	Lint Coop Only
3	122002	1	Lint Draw Switch
4	833522	1	Exhaust Sensor Probe Assembly
5	150301	4	#8-18 x 7/16" Phillips Pan Head Screw
6	130100	1	150° Automatic Reset Thermostat
7	117617	4	3/8" x 5/16" Foam Gasket
8	130098	1	190° Manual Reset Thermostat

Tumbler Assembly



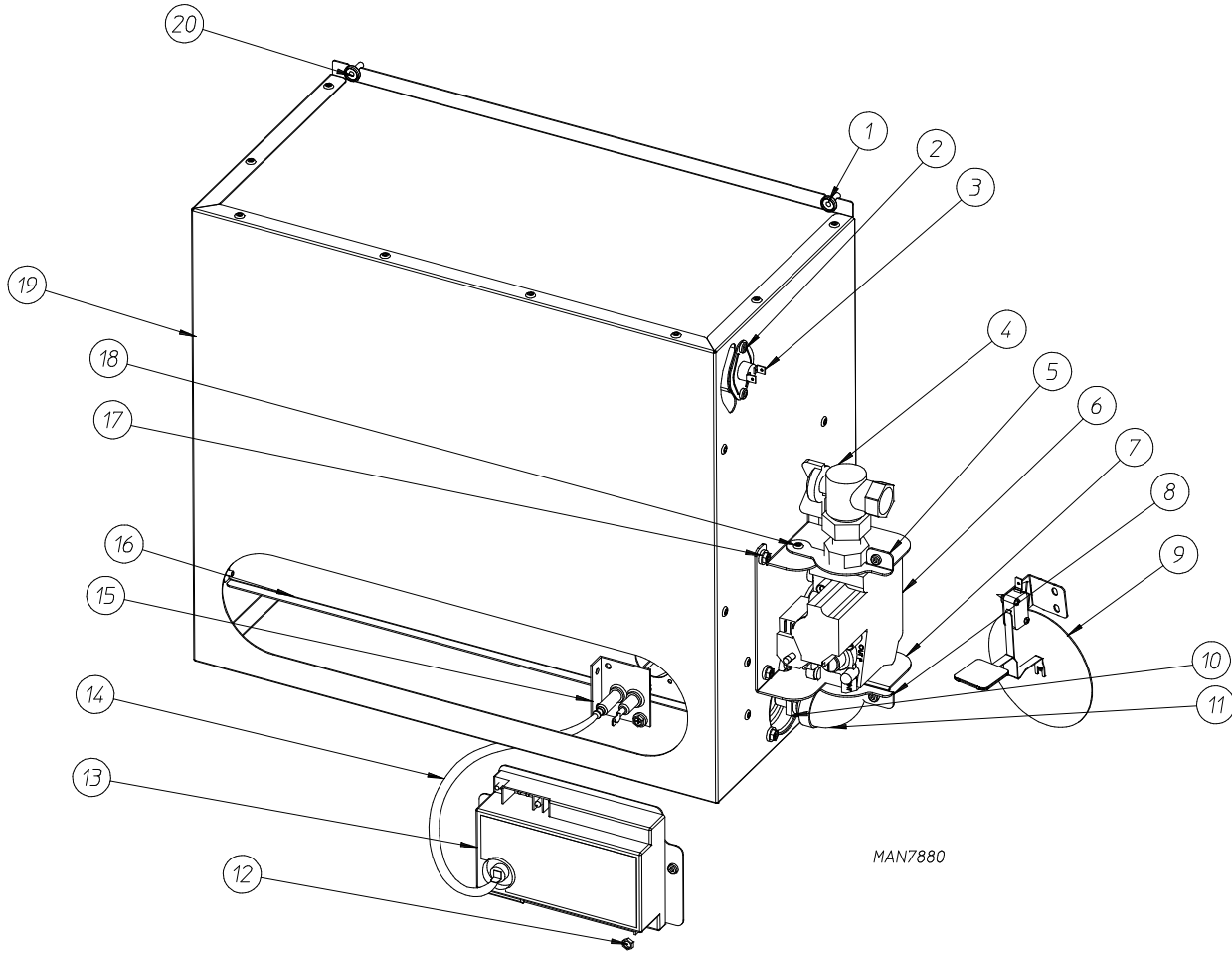
MAN7879

<u>Illus. No.</u>	<u>Part No.</u>	<u>Qty.</u>	<u>Description</u>
1	830630	1	Galvanized 3 Rib Tumbler Assembly (includes illus. nos. 1 through 19)
	884456	1	Galvanized 3 Rib Tumbler and Felt
	830645	1	Stainless Steel Tumbler Assembly (includes illus. nos. 1 through 19)
2	115906	1	Tumbler Front Felt
3	154211	36	5/32" Pop Rivet
4	846011	1	Tumbler Bearing Plate Assembly
5	100296	1	3 Bolt Self Aligning Flange Bearing
6	153002	3	5/16" Lock Washer
7	152004	3	5/16-18 Hex Nut
8	153012	4	#8 Internal Star Washer
9	150108	4	#8-32 x 1/2" Phillips Machine Screw
10	346119	1	Tumbler Shaft
11	346029	1	Stainless Steel Washer
12	184241	1	3/8-16 x 3/4" Button Head Socket Screw with Nylon Patch
13	115919	1	Tumbler Bearing Felt Ring
14	346069	1	Tumbler Shaft Backup Plate
15	153005	1	3/8" Lock Washer
16	150636	3	1/4-20 x 1/2" Button Head Socket Screw with Nylon Patch
17	185597	1	Bearing Cover
18	303311	3	Tumbler Ribs
19	115925	1	Rear Tumbler Felt
20	115924	1	Separator Felt
21	102407	1	Tumbler Drive Belt



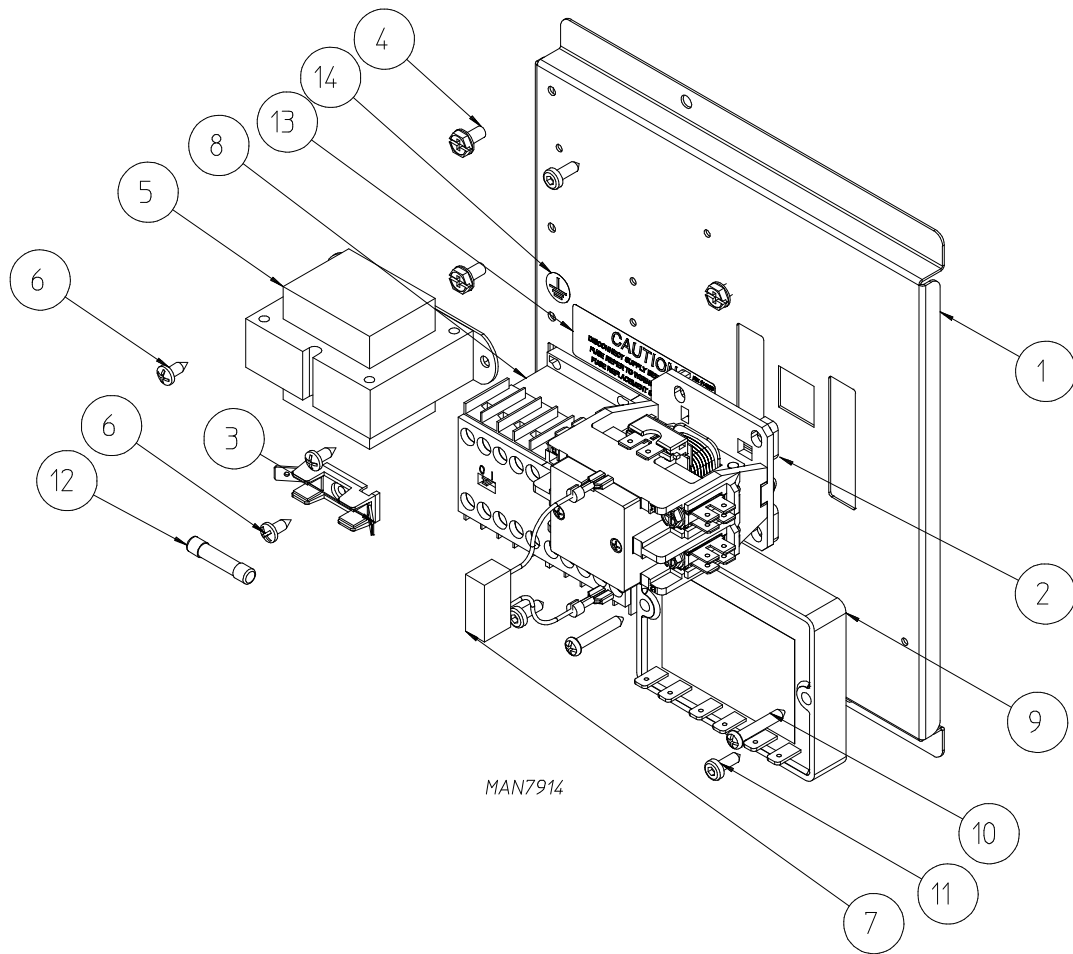
<u>Illus. No.</u>	<u>Part No.</u>	<u>Qty.</u>	<u>Description</u>
1	830615	1	Drive Motor Mount Assembly Complete (includes illus. nos. 1 through 15)
	830616	1	Drive Motor Mount Plate
2	303322	1	Drive Motor Mount Base Plate
3	154266	2	3/8" x 3/8" Shoulder Bolt
4	153018	2	1/4" Flat Washer
5	153002	6	5/16" Lock Washer
6	152004	2	5/16-18 Hex Nut
7	154321	1	5/16-24 x 3/8" Allen Setscrew
8	152011	2	1/2" x 1-3/8" Hex Nut
9	152014	1	1/4-20 Washer Nut
10	153001	4	5/16" Flat Washer
11	150501	4	5/16-18 x 3/4" Machine Bolt
12	150609	1	1/2-13 x 4.5 Tap Bolt
13	884447	1	Drive Motor with Sheave
14	185059	1	Motor Sheave
15	153026	1	1/2" Lock Washer
16	153011	2	1-3/8" OD Flat Washer

Gas Burner Assembly



<u>Illus. No.</u>	<u>Part No.</u>	<u>Qty.</u>	<u>Description</u>
1	183008	2	0.060 Keyhole Button Yellow
2	150331	8	#8-18 x 1/2" Pan Head TORX® Screw
3	130104	1	215° Thermostat
4	141320	1	1/2" N.P.T. 90° Gas Union Full Port Shutoff
5	303341	1	Gas Valve Inlet Lock Bracket
6	128979	1	Redundant 24 Volt Gas Valve
7	303340	1	Gas Valve Bracket
8	303342	1	Gas Valve Outlet Lock Bracket
9	828238	1	Sail Switch Assembly
10	140908	1	#20 Orifice for Natural Gas
	140909	1	#41 Orifice for Liquid Propane Gas
11	142506	1	1/2" x 1/2" Street Elbow Black Iron
12	153073	2	#8-32 Keps Nut
13	128937	1	DSI Module 3 Tries
14	884278	1	High Voltage Cable
15	884265	1	Ignitor with Flame Probe
16	141137	1	Burner Tube
17	150309	8	#10-16 x 1/2" Hex Head TEK Crimptite Screw
18	154200	2	5/32" Pop Rivet
19	830621	1	Gas Burner Box Assembly
20	154220	2	3/16" Pop Rivet
—	884439	1	Liquid Propane Gas Conversion Kit

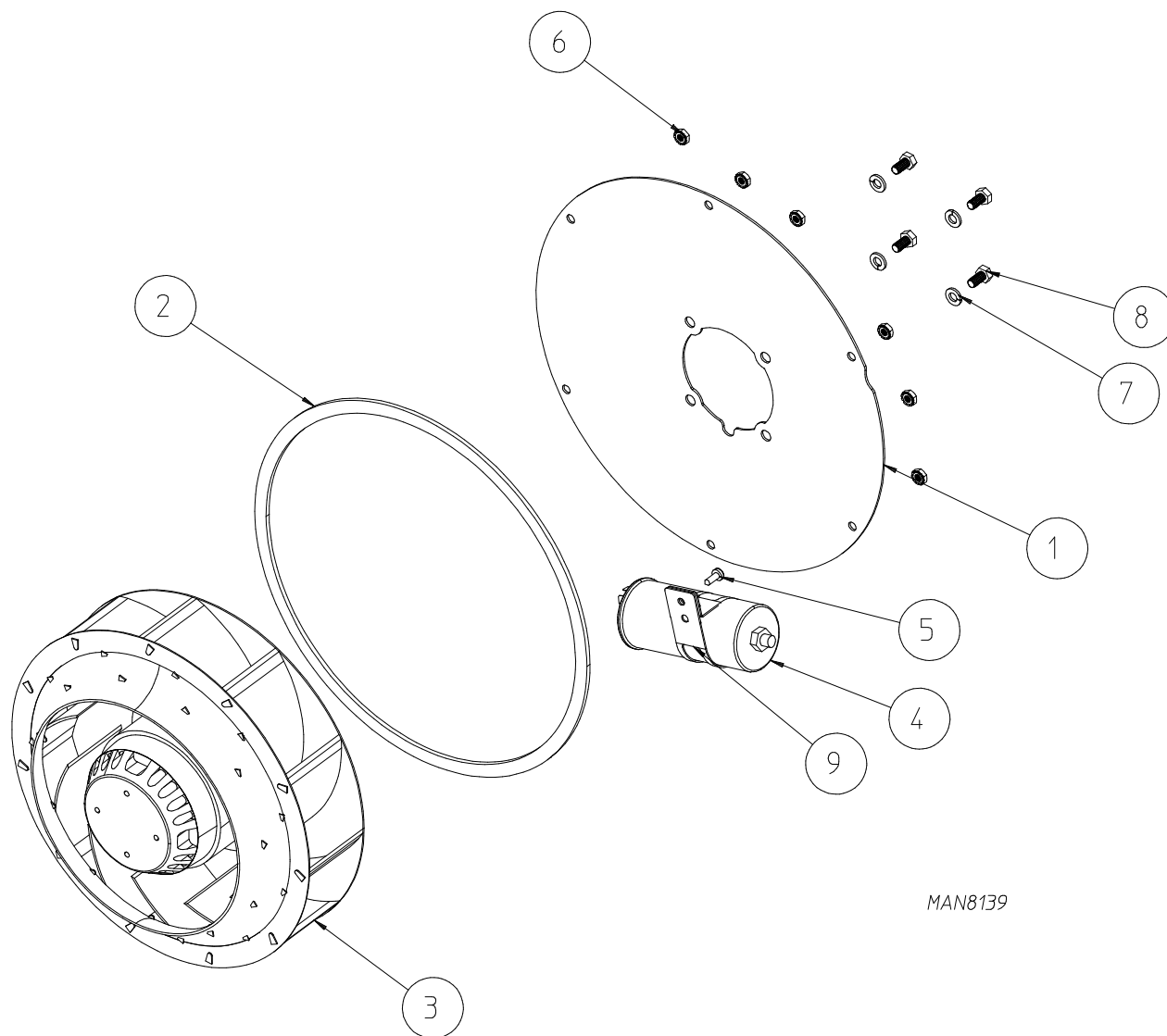
Reversing Rear Electrical Panel



<u>Illus. No.</u>	<u>Part No.</u>	<u>Qty.</u>	<u>Description</u>
1	830687	1	Reversing Electrical Panel Assembly Complete – 120 Volts (includes illus. nos. 1 through 14) (for models mfd. as of March 21, 2014)
	830632	1	Reversing Electrical Panel Assembly Complete – 120 Volts (includes illus. nos. 1 through 14) (for models mfd. prior to March 21, 2014)
	830690	1	Reversing Electrical Panel Assembly Complete – 208-240 Volts (includes illus. nos. 1 through 14) (for models mfd. as of March 21, 2014)
	830644	1	Reversing Electrical Panel Assembly Complete – 208-240 Volts (includes illus. nos. 1 through 14) (for models mfd. prior to March 21, 2014)
2	132498	1	24V 2 Pole DP Contactor
3	136008	—	Fuse Holder
4	120910	4	Ground Screw
5	141403	1	Transformer
6	150301	3	#8-18 x 7/16" Phillips Screw
7	824828	1	R.C. Network with Connector
8	132497	1	Reversing Contactor
9	132198	1	Reversing Timer
10	150332	2	8" x 1" Phillips Screw
11	150331	3	#8-18 x 1/2" TORX® Screw
12	136049	—	3/4-amp Slo-Blo Fuse
13	112075	1	1/2" Dia Ground Screw Label
14	114506	1	Disconnect Supply Fuse Label

Blower Motor Assembly

For Models Mfd. as of March 21, 2014

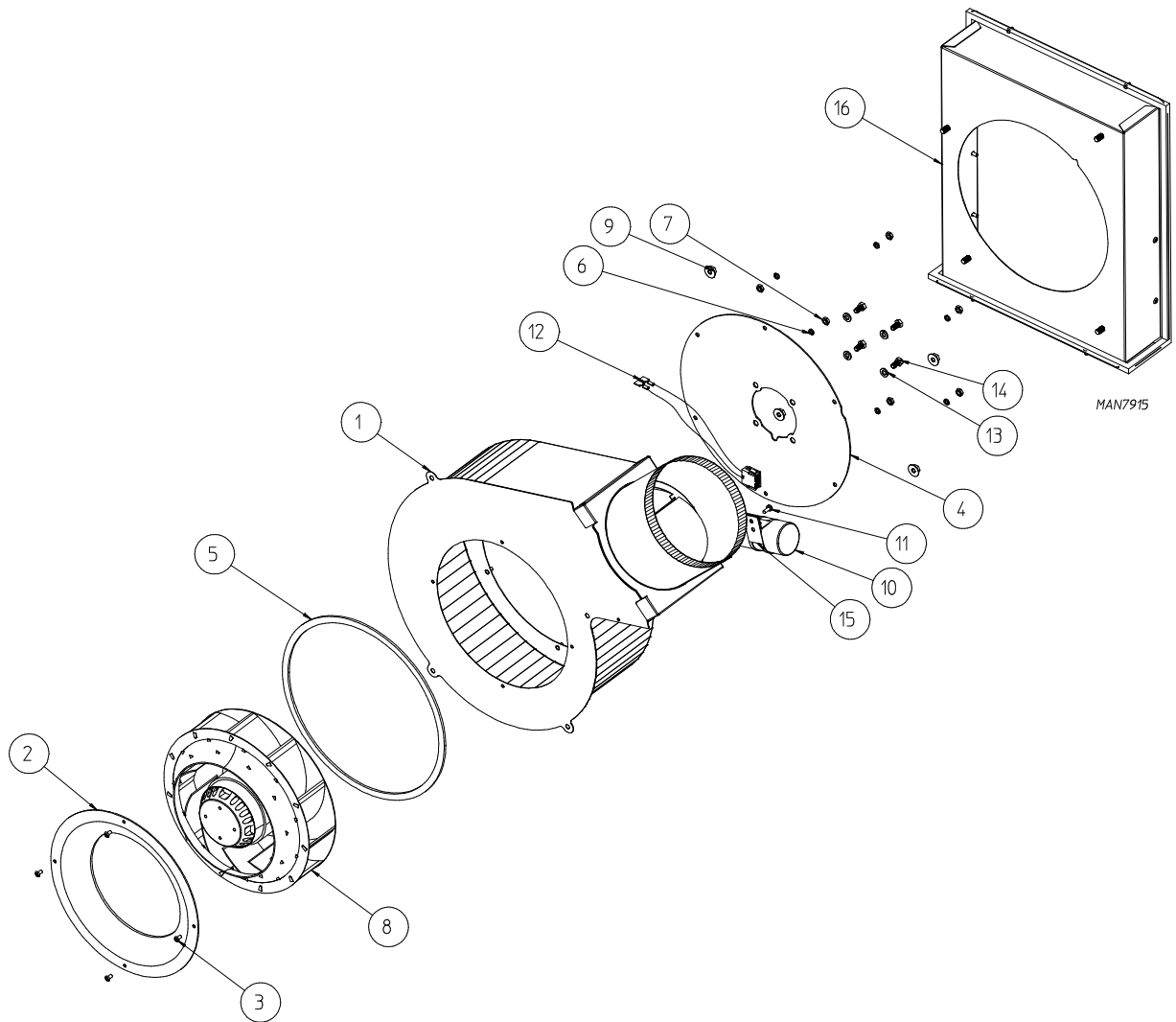


MAN8139

<u>Illus. No.</u>	<u>Part No.</u>	<u>Qty.</u>	<u>Description</u>
1	303335	1	Motorized Impeller Mount
2	117604	3	Neo Sponge Tape
3	887191	1	120V Motorized Impellor 50/60 Hz
	887031	1	208-240 Volt Motor Impellor
4	100683	1	20MFD Capacitor (for 120 volt models)
	100682	1	5MFD Capacitor (for 208-240 volt models)
5	150331	1	#8-18 x 1/2" Pan Head TORX® Screw
6	153076	6	#10-32 Keps Nut Zinc PLated
7	153007	4	1/4" Split Lock Washer Zinc
8	150691	4	6m x 12mm Hex Head Cap Screw
9	315497	1	Capacitor Bracket -1.5 & 1.75 Dia

Blower Motor Assembly

For Models Mfd. prior to March 21, 2014



<u>Illus. No.</u>	<u>Part No.</u>	<u>Qty.</u>	<u>Description</u>
1	830607	1	Blower Housing Only
2	100647	1	Inlet Ring
3	154200	4	5/32" Pop Rivet
4	303335	1	Motorized Impellor Mount Cover
5	117604	1	1/8" x 3/8" Foam Gasket
6	153024	6	#10 Split Lock Washer
7	152008	6	#10-32 Hex Nut
8	887191	1	115V Motorized Impellor
	887031	1	208-240 Motorized Impellor
9	152014	4	1/4" x 20 Hex Flange Nut
10	100683	1	20MFD Capacitor (for 120 volt motors)
	100682	1	5 MFD Capacitor (for 208-240 volt motors)
11	150331	1	#8-18 x 1/2" TORX® Screw
12	121000	1	1/4" Spade Terminals
13	153007	4	1/4" Split Lock Washer
14	150691	4	6m x 12mm Hex Head Screw
15	315497	1	Capacitor Bracket
16	830624	1	Air Penum Assembly

Additional Parts Available

<u>Part No.</u>	<u>Description</u>
303397	One-Piece Back Guard (for models mfd. as of March 21, 2014)
303337	Upper Back Guard (for models mfd. prior to March 21, 2014)
303308	Lower Back Guard (for models mfd. prior to March 21, 2014)
125917	Coin Box Keyed Alike (for models mfd. as of March 21, 2014)
125918	Coin Box Keyed Alike (for models mfd. prior to March 21, 2014)
830662	Coin Vault (for models mfd. as of March 21, 2014)
833546	Coin Vault (for models mfd. prior to March 21, 2014)
103500	Leveling Legs, Adjustable
143536	6" Diameter 45 Degree Elbow

