



AD-30V / AD-50V
Parts Manual
Phase 7 / Dual Timer
with S.A.F.E. System Option
(for models mfd. as of July 1, 2002)

American Dryer Corporation
88 Currant Road
Fall River, MA 02720-4781
Telephone: (508) 678-9000 / Fax: (508) 678-9447
E-mail: techsupport@amdry.com

www.amdry.com

Retain This Manual In A Safe Place For Future Reference

American Dryer Corporation products embody advanced concepts in engineering, design, and safety. If this product is properly maintained, it will provide many years of safe, efficient, and trouble free operation.

ONLY qualified technicians should service this equipment.

OBSERVE ALL SAFETY PRECAUTIONS displayed on the equipment or specified in the installation manual included with the dryer.

The following “**FOR YOUR SAFETY**” caution must be posted near the dryer in a prominent location.

FOR YOUR SAFETY

Do not store or use gasoline or other flammable vapors and liquids in the vicinity of this or any other appliance.

POUR VOTRE SÉCURITÉ

Ne pas entreposer ni utiliser d'essence ni d'autres vapeurs ou liquides inflammables à proximité de cet appareil ou de tout autre appareil.

We have tried to make this manual as complete as possible and hope you will find it useful. ADC reserves the right to make changes from time to time, without notice or obligation, in prices, specifications, colors, and material, and to change or discontinue models.

Important

For your convenience, log the following information:

DATE OF PURCHASE _____ MODEL NO. _____

RESELLER'S NAME _____

Serial Number(s) _____

Replacement parts can be obtained from your reseller or the ADC factory. When ordering replacement parts from the factory, you can FAX your order to ADC at (508) 678-9447 or telephone your order directly to the ADC Parts Department at (508) 678-9000. Please specify the dryer model number and serial number in addition to the description and part number, so that your order is processed accurately and promptly.

The illustrations on the following pages may not depict your particular dryer exactly. The illustrations are a composite of the various dryer models. Be sure to check the descriptions of the parts thoroughly before ordering.

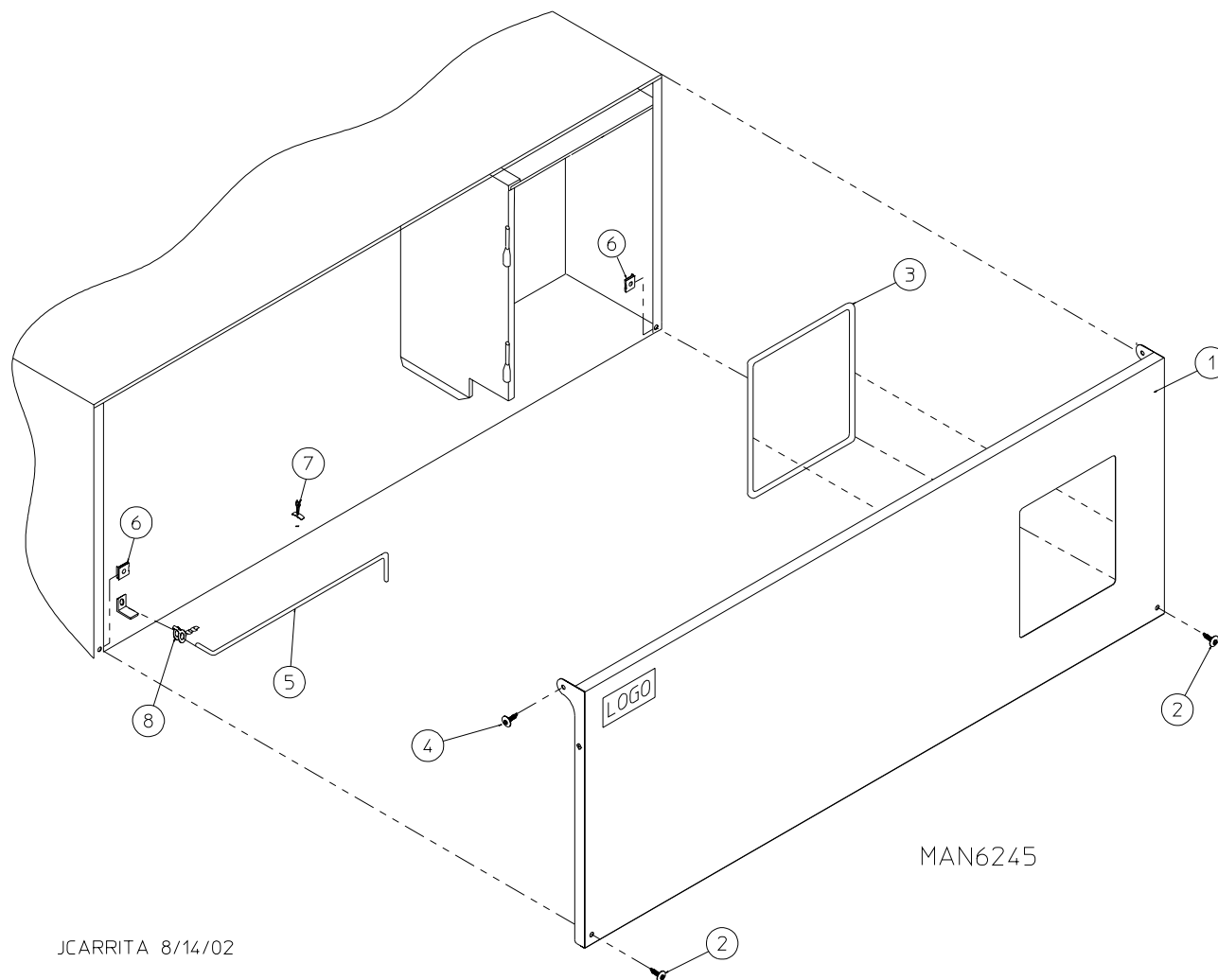
“IMPORTANT NOTE TO PURCHASER”

Information must be obtained from your local gas supplier on the instructions to be followed if the user smells gas. These instructions must be posted in a prominent location near the dryer.

Table of Contents

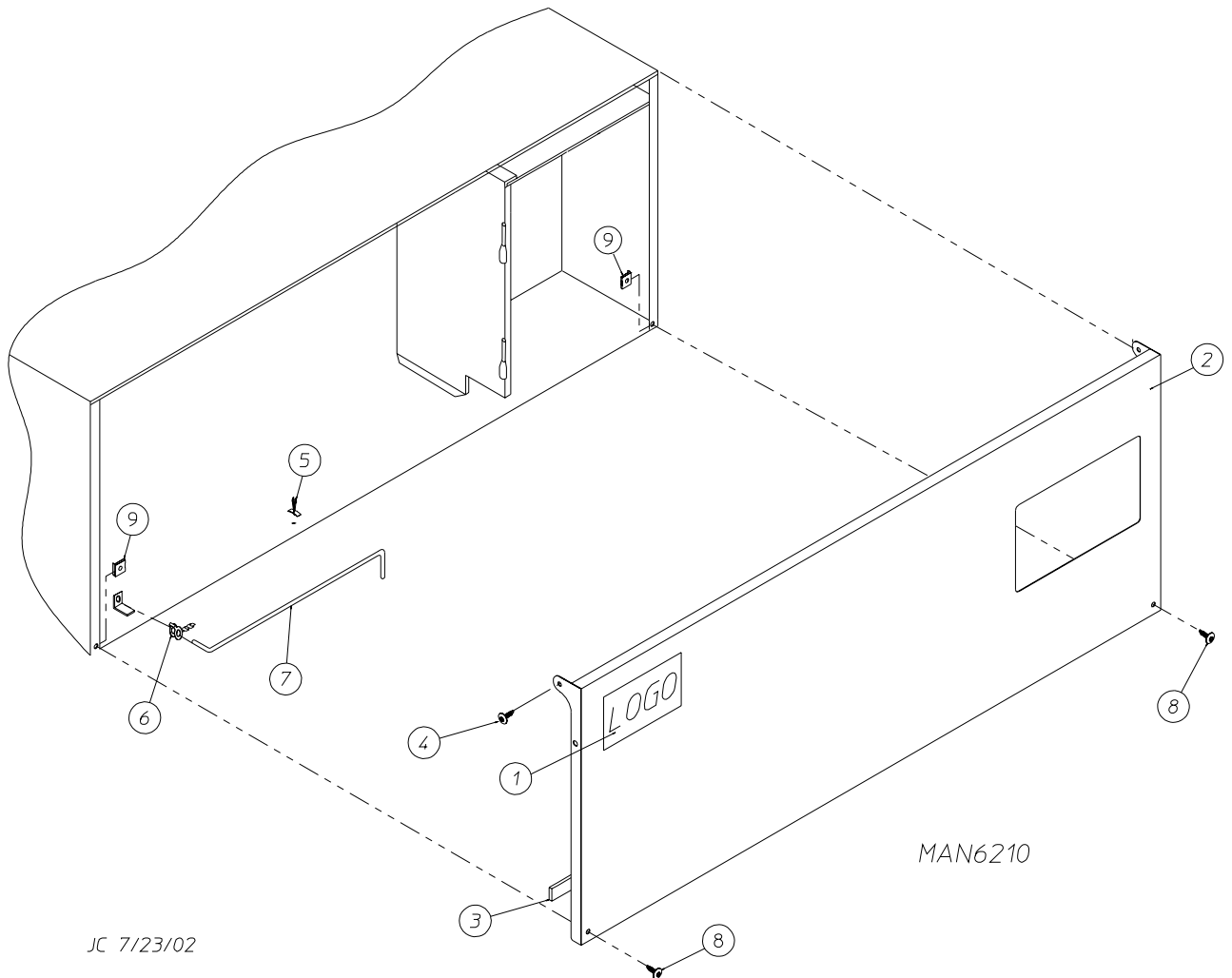
Phase 7 OPL Control Door Assembly	4
Dual Timer Control Door Assembly	5
Coin Control Door Assembly	6
Phase 7 OPL Microprocessor Control Panel Assembly	7
Phase 7 Coin Microprocessor Control Panel Assembly	8
Dual Timer "Tap Touch" Controls	9
Phase 7 OPL Microprocessor Control Box Assembly	10
Phase 7 Coin Microprocessor Control Box Assembly	11
Dual Timer Control Box Assembly	12
Coin Vault Assembly	13
AD-30V Front Panel Assembly	14
AD-50V Front Panel Assembly	15
Main Door "Steel" Assembly	16
Main Door Switch Assembly	17
AD-30V Drop Hatch Lint Door Assembly	18
AD-30V Lint Trap Assembly	19
AD-50V Lint Drawer / Lint Drawer Switch Assemblies	20
Idler Bearing Assembly	21
Tumbler Bearing Assembly	22
AD-30V Tumbler / Support Assemblies	24
AD-50V Tumbler / Support Assemblies	25
AD-30V Non-Reversing Motor Mount Assembly	26
AD-30V Reversing Motor Mount Assembly	28
AD-50V Non-Reversing Motor Mount Assembly	30
AD-50V Reversing Motor Mount Assembly	32
AD-30V Sensor Bracket Assemblies	34
AD-50V Sensor Bracket Assemblies	36
AD-30V Gas Burner Assembly	38
AD-30V CE Burner Assembly	40
AD-50V Burner Assembly	42
AD-50V CE Burner Assembly	44
Electric Oven Assembly	46
Gas Burner Sail Switch / Hi-Limit Assemblies	48
Phase 7 OPL Single-Phase (1 ϕ) Rear Relay Panel Assembly	50
Phase 7 OPL 208-416V 3-Phase (3 ϕ) Rear Relay Panel Assembly	52
Phase 7 OPL 460-480V Rear Relay Panel Assembly	54
Phase 7 OPL 208-416V Reversing Rear Relay Panel Assembly	56
Phase 7 OPL 460-480V Reversing Rear Relay Panel Assembly	58
Dual Timer Single-Phase (1 ϕ) Relay Panel Assembly	60
Dual Timer 208-416V 3-Phase (3 ϕ) Relay Panel Assembly	62
Dual Timer 460-480V Electric Relay Panel Assembly	63
Dual Timer 208-416V Reversing Relay Panel Assembly	64
Dual Timer 460-480V Reversing Relay Panel Assembly	65
AD-30V Steam Coil / Air-Operated Steam Damper Assembly	66
AD-50V Steam Coil / Air-Operated Steam Damper Assembly	67
Sensor Activated Fire Extinguishing System Assembly for Models Mfd. as of November 8, 2011	68
Sensor Activated Fire Extinguishing System Assemblies for Models Mfd. prior to November 8, 2011	69
AD-30V Outer Top / Back Guard Assemblies	70
AD-50V Outer Top / Back Guard Assemblies	71
AD-30V Oven Component Application Chart	72
AD-50V Micro Electric Oven Component Application Chart	73
AD-50V Dual Timer Electric Oven Component Application Chart	74
Additional Parts Available	75
Tools Available	75

Phase 7 OPL Control Door Assembly



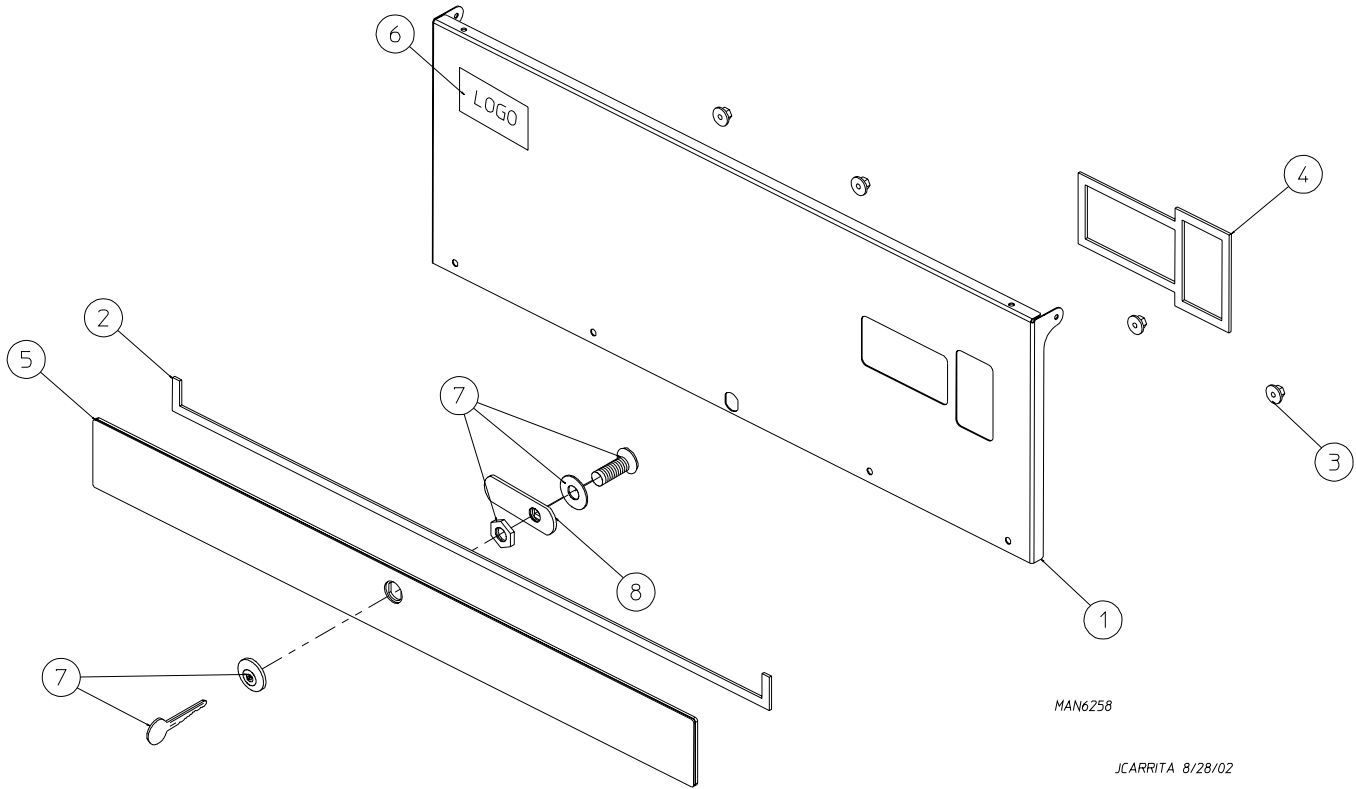
<u>Illus. No.</u>	<u>Part No.</u>	<u>Qty.</u>	<u>Description</u>
1	883574	1	White OPL Control Door (includes illus. nos. 1 and 3)
	883746	1	Coral Blue OPL Control Door (includes illus. nos. 1 and 3)
	883747	1	Ivory OPL Control Door (includes illus. nos. 1 and 3)
2	150321	2	#10-32 x 1/2" Phillips Machine Screw
3	117604	4	Noise Suppression Tape (sold by the foot)
4	150317	2	#10-16 x 3/4" TORX PLUS® Screw
5	102502	1	Control Door Support Rod
6	154011	2	#10-32 Multi-Thread U-Nut
7	102603	1	Control Door Rod Support Catch
8	102601	1	Control Door Retainer Clip

Dual Timer Control Door Assembly



Illus. No.	Part No.	Qty.	Description
1	112301	1	ADC Logo with Tape
	870011	1	Double Sided Tape Kit
2	883550	1	White Control Door Assembly (includes illus. nos. 2 and 3)
	883551	1	Ivory Control Door Assembly (includes illus. nos. 2 and 3)
	883552	1	Coral Blue Control Door Assembly (includes illus. nos. 2 and 3)
3	117604	3	Noise Suppression Tape (sold by the foot)
4	150317	2	#10-16 x 3/4" TORX PLUS® Screw
5	102603	1	Control Door Rod Support Catch
6	102601	1	Control Door Rod Retainer Clip
7	102502	1	Control Door Support Rod
8	150321	2	#10-32 x 1/2" Phillips Machine Screw
9	154011	2	#10-32 Multi-Thread U-Nut

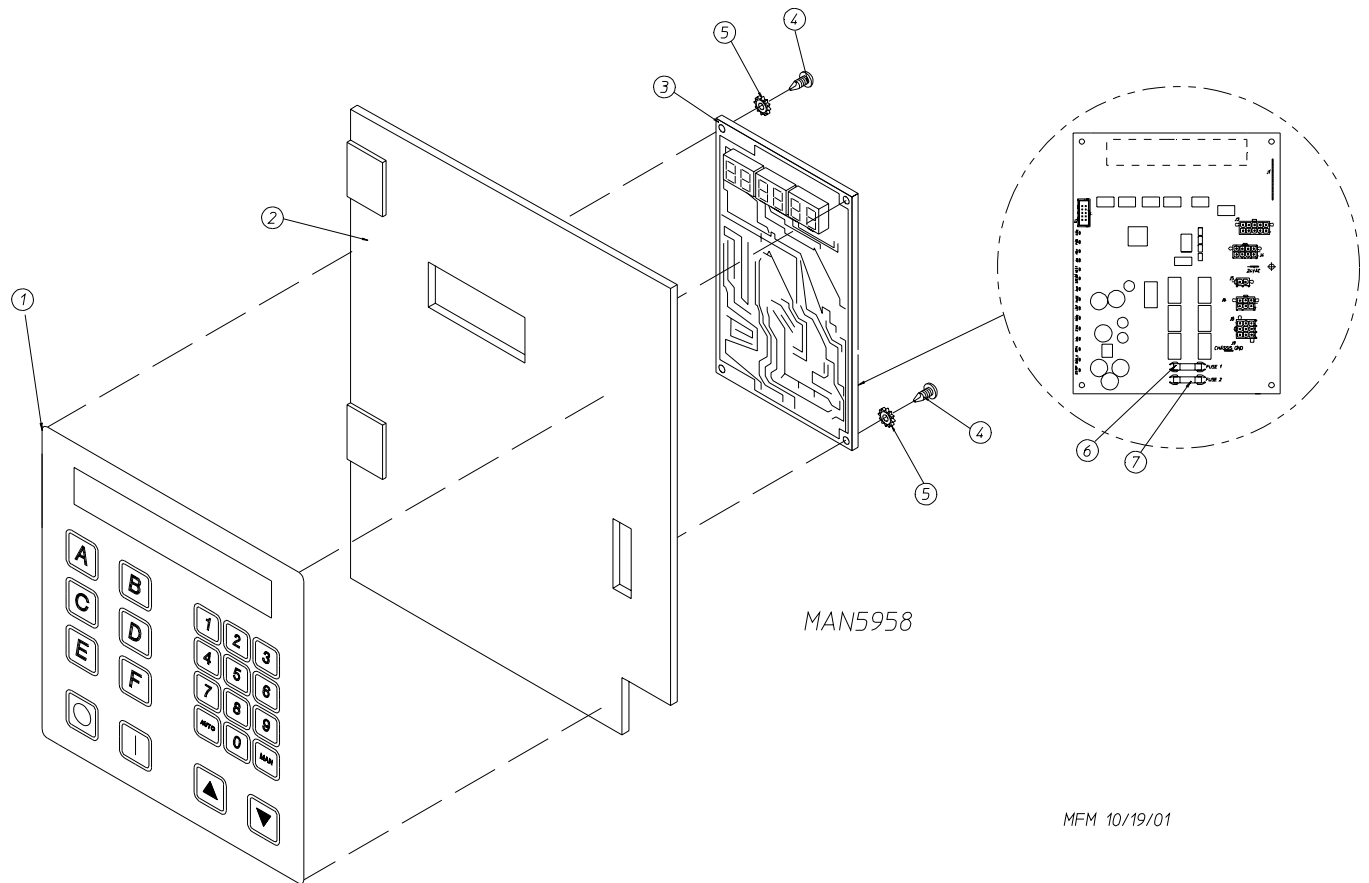
Coin Control Door Assembly



Illus. No.	Part No.	Qty.	Description
1	823147*	1	Phase 7 Coin Control Door Assembly (includes illus. nos. 1 through 5)
2	117604	4	Neoprene Sponge Tape (sold by the foot)
3	152014	4	1/4-20 Free Spin Wash Nut
4	117604	2	Neoprene Sponge Tape (sold by the foot)
5	817141*	1	Coin Control Door Trim
6	112301	1	ADC Logo
7	160015	1	Lock with Hardware and Key (Keyed MK-100)
	160104	1	Key ONLY (Keyed MK-100)
8	160016	1	Lock Cam ONLY

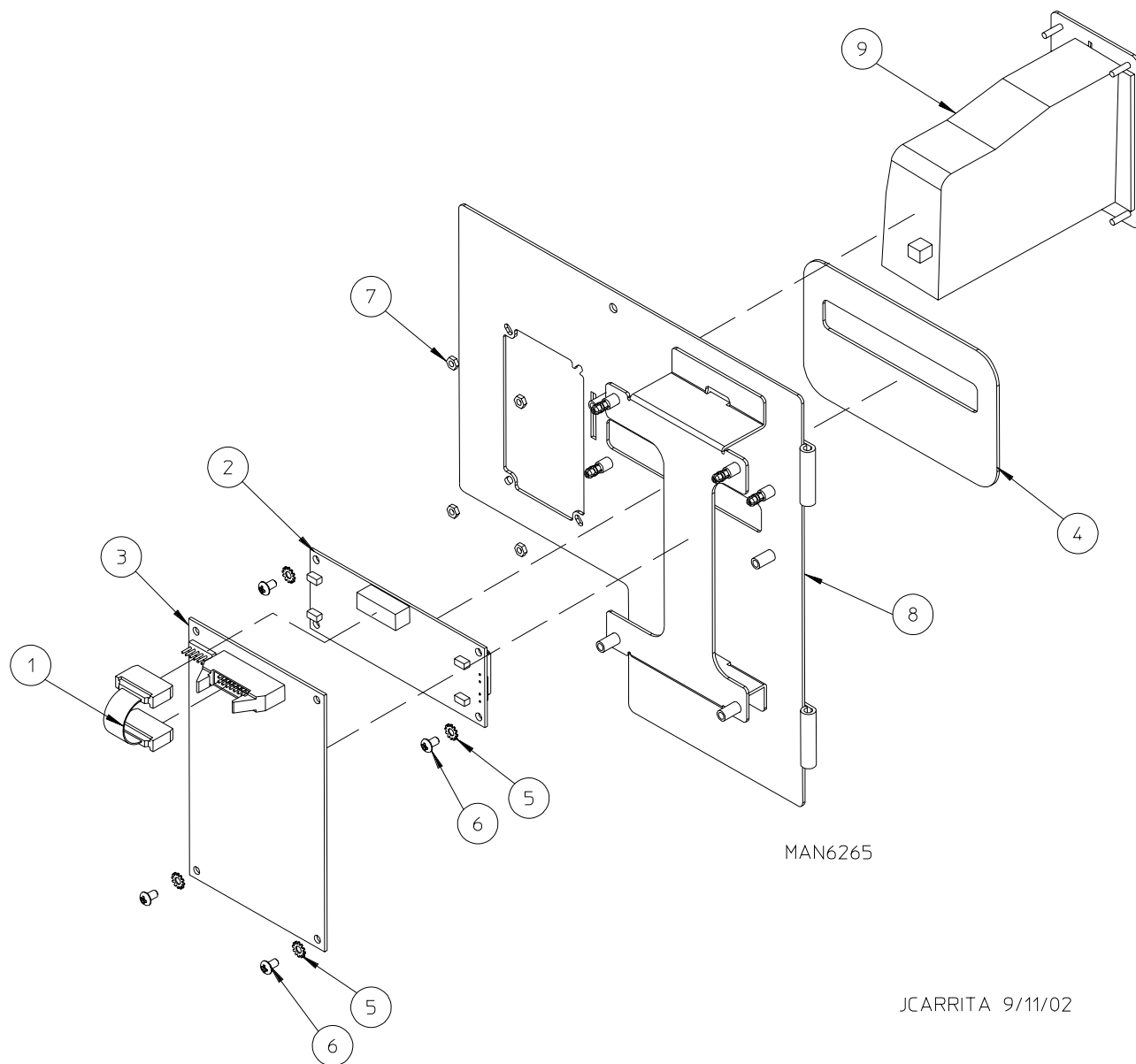
* Specify color when ordering.

Phase 7 OPL Microprocessor Control Panel Assembly



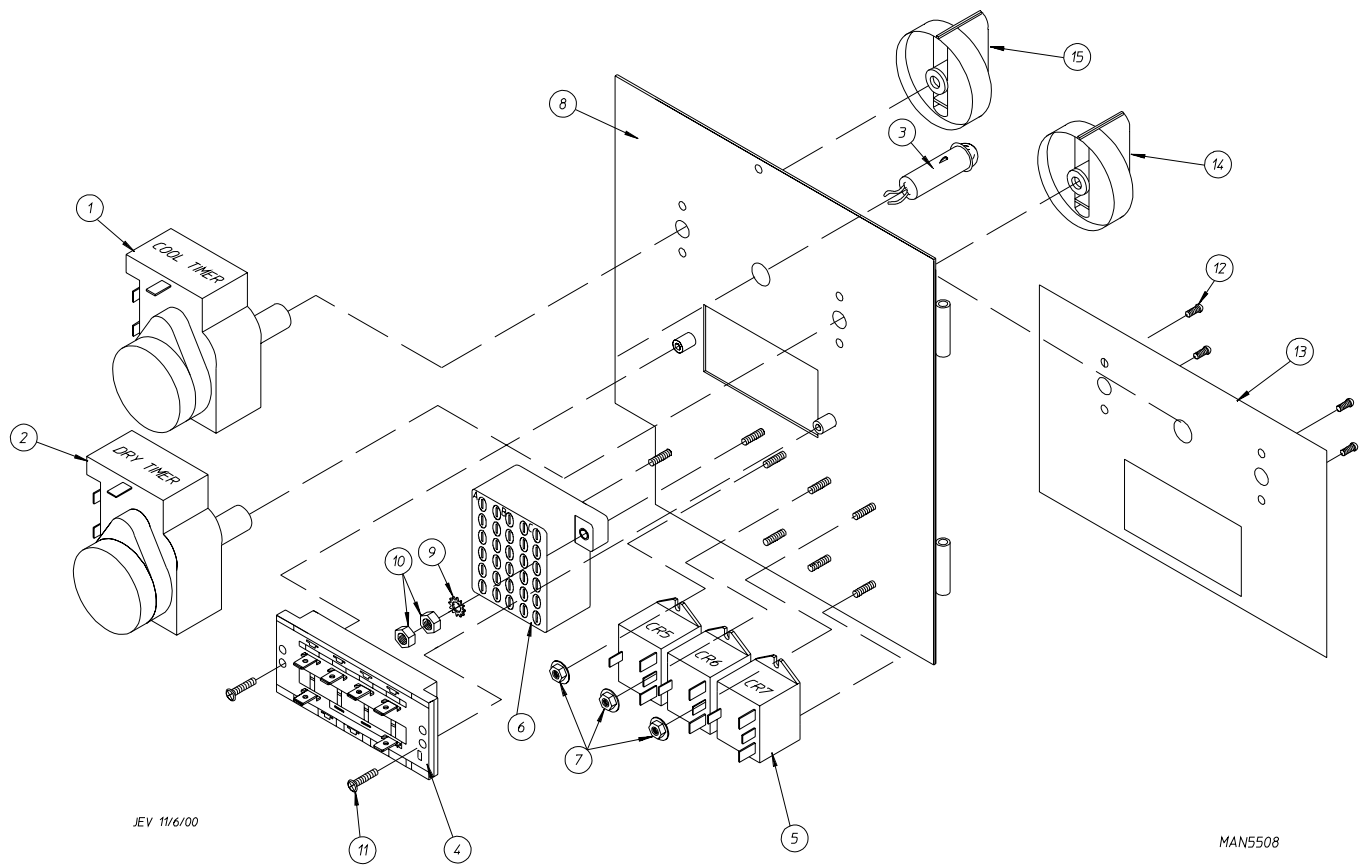
Illus. No.	Part No.	Qty.	Description
1	112577	1	Phase 7 OPL Keypad
2	850984	1	Phase 7 OPL Microprocessor Panel ONLY
3	887003	1	Phase 7 OPL Microprocessor ONLY (with S.A.F.E.)
	887024	1	Phase 7 OPL Microprocessor ONLY (no S.A.F.E.) (for models mfd. as of December 3, 2003)
	887000	1	Phase 7 OPL Microprocessor ONLY (with S.A.F.E.) (for models mfd. prior to December 3, 2003)
4	150005	2	#6-32 x 3/4" Phillips Round Head Machine Screw
5	153010	2	#6 Star Washer
6	136097	1	500 mA Fuse
7	136016	1	5-Amp Fuse

Phase 7 Coin Microprocessor Control Panel Assembly



<u>Illus. No.</u>	<u>Part No.</u>	<u>Qty.</u>	<u>Description</u>
1	137250	1	Phase 7 Coin Ribbon Cable
2	137270	1	16" x 1" Large Character Display
3	887011	1	Phase 7 Coin Board (for models mfd. without S.A.F.E.)
	887012	1	Phase 7 Coin Board (for models mfd. with S.A.F.E. and mfd. as of December 3, 2003)
	887009	1	Phase 7 Coin Board (for models mfd. with S.A.F.E. and mfd. prior to December 3, 2003)
4	112575	1	Phase 7 Keypad
5	153010	4	#6 Internal and External Star Washers
6	150005	4	#6-32 x 1/4" Phillips Round Head Machine Screw
7	152102	4	M3 Metric Hex Nut
8	823145	1	Phase 7 Coin Control Panel ONLY
9	818232	1	25¢ Coin Acceptor
	883774	1	Hanke/Munzprufer Optic Switch ONLY

Dual Timer "Tap Touch" Controls

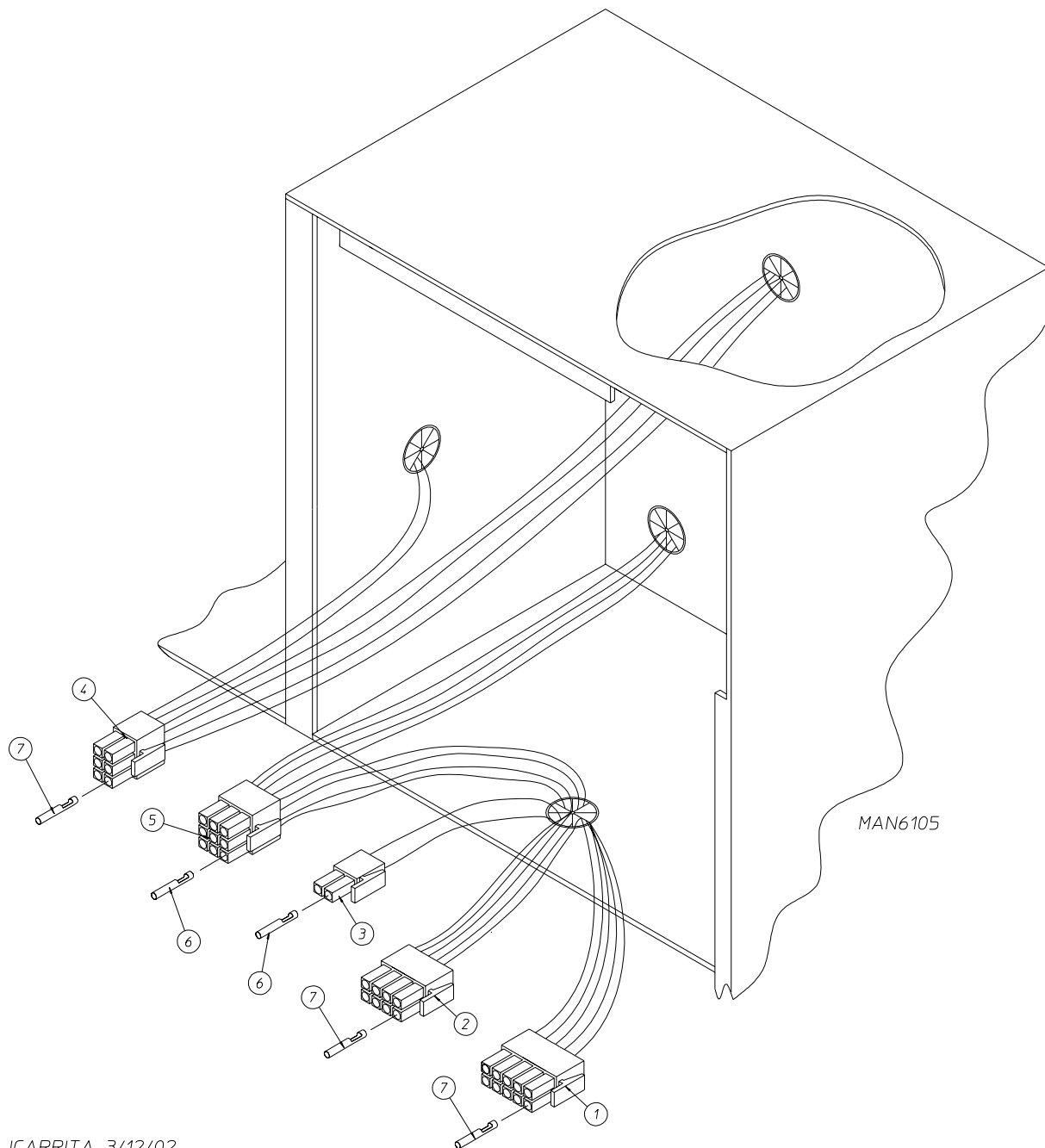


JEV 11/6/00

MAN5508

Illus. No.	Part No.	Qty.	Description
1	824298	1	15 Minute Timer – 24 VAC
2	824299	1	60 Minute Timer – 24 VAC
3	824175	1	Red Pilot Light – 24 VAC
4	122301	1	"Tap Touch" Switch
5	131932	3	Relay SPST 24v
6	120731	1	30-Position Terminal Block
7	151000	6	#6-32 Pal Nut
8	882903	1	Dual Timer Panel Complete (includes illus. nos. 1 through 15)
	850392	—	Dual Timer Panel ONLY
9	153010	2	#6 Star Washer
10	152000	2	#6-32 Hex Nut
11	150108	2	#8-32 x 1/2" Phillips Pan Head Machine Screw
12	150110	4	#8-32 x 1/4" Phillips Round Head Machine Screw
13	112563	1	Dual Timer Panel Overlay
14	124104	1	Pure Touch Knob with Red Pointer
15	124105	1	Pure Touch Knob with Blue Pointer

Phase 7 OPL Microprocessor Control Box Assembly

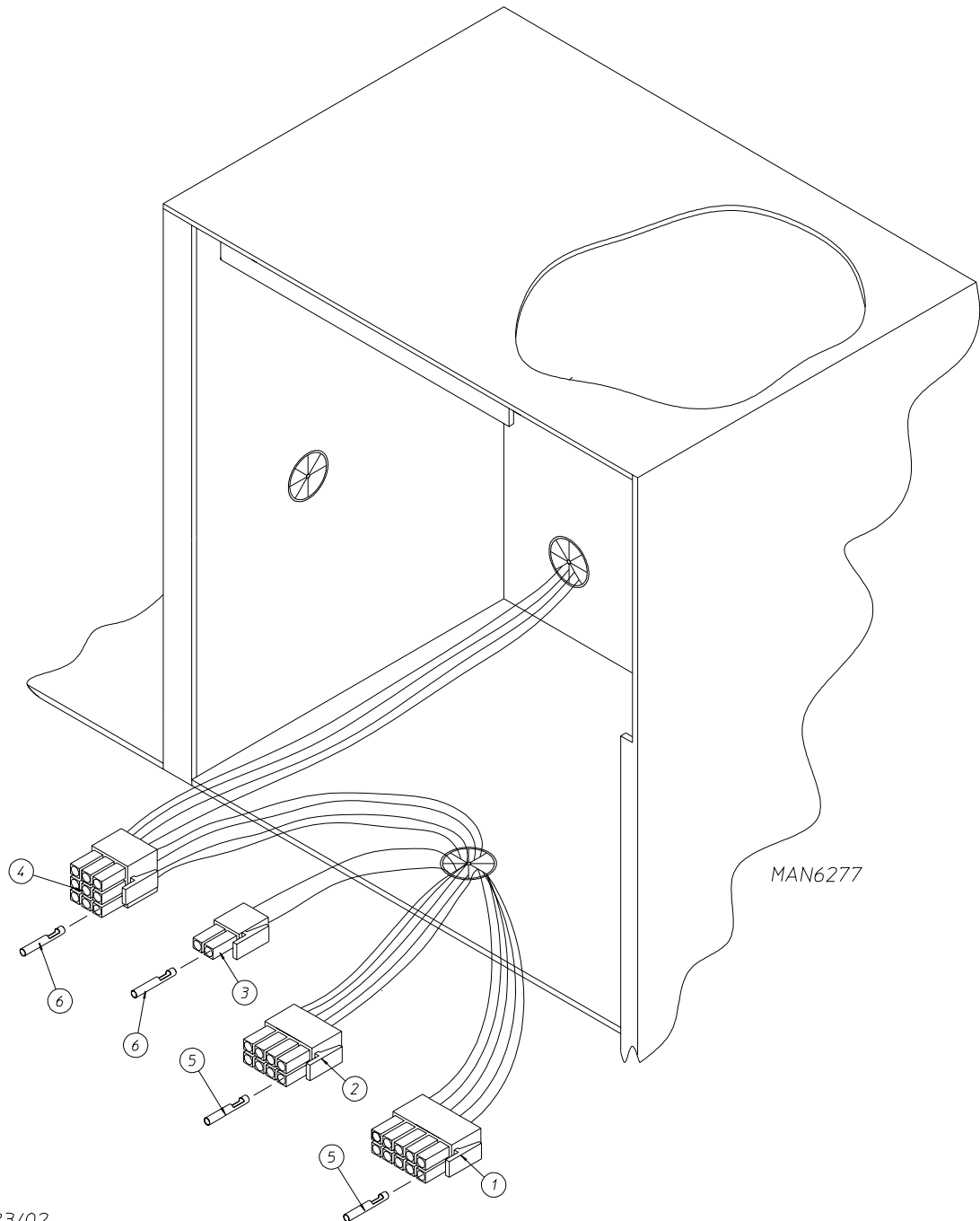


JCARRITA 3/12/02

Illus. No.	Part No.	Qty.	Description
1	122681	1	10-Pin Connector
2	122676	1	8-Pin Connector
3	122646	1	2-Pin Connector
4	122683	1	6-Pin Connector
5	122640	1	9-Pin Connector
6	122706	*	#20-16 U.M.N.L. Socket
7	122669	*	Female Crimp Terminal

* As needed.

Phase 7 Coin Microprocessor Control Box Assembly

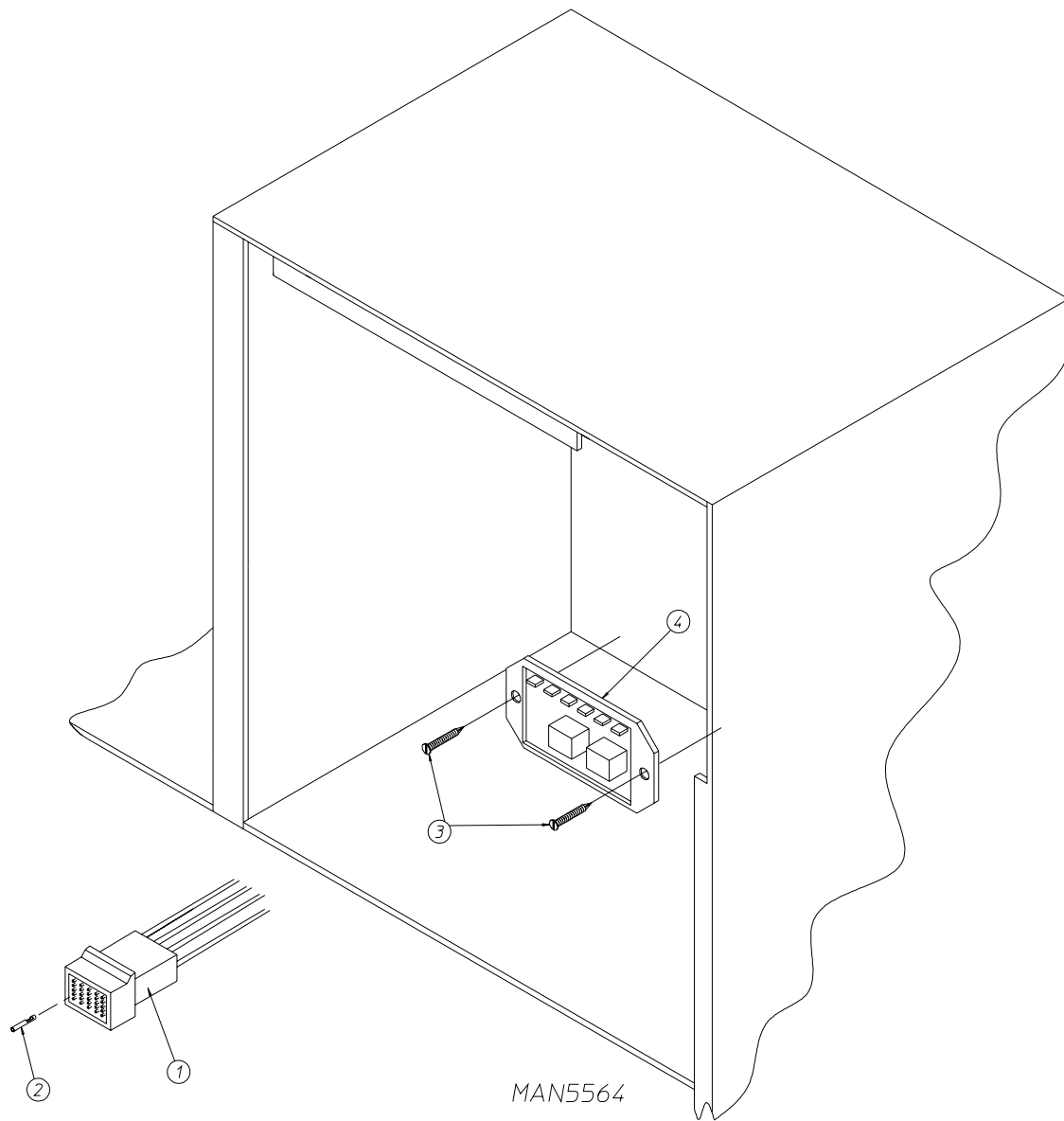


JCARRITA 9/23/02

Illus. No.	Part No.	Qty.	Description
1	122681	1	10-Pin Connector
2	122676	1	8-Pin Connector
3	122646	1	2-Pin Connector
4	122669	*	Female Crimp Terminal
5	122640	1	9-Pin Connector
6	122706	*	#20-16 U.M.N.L. Socket

* As needed.

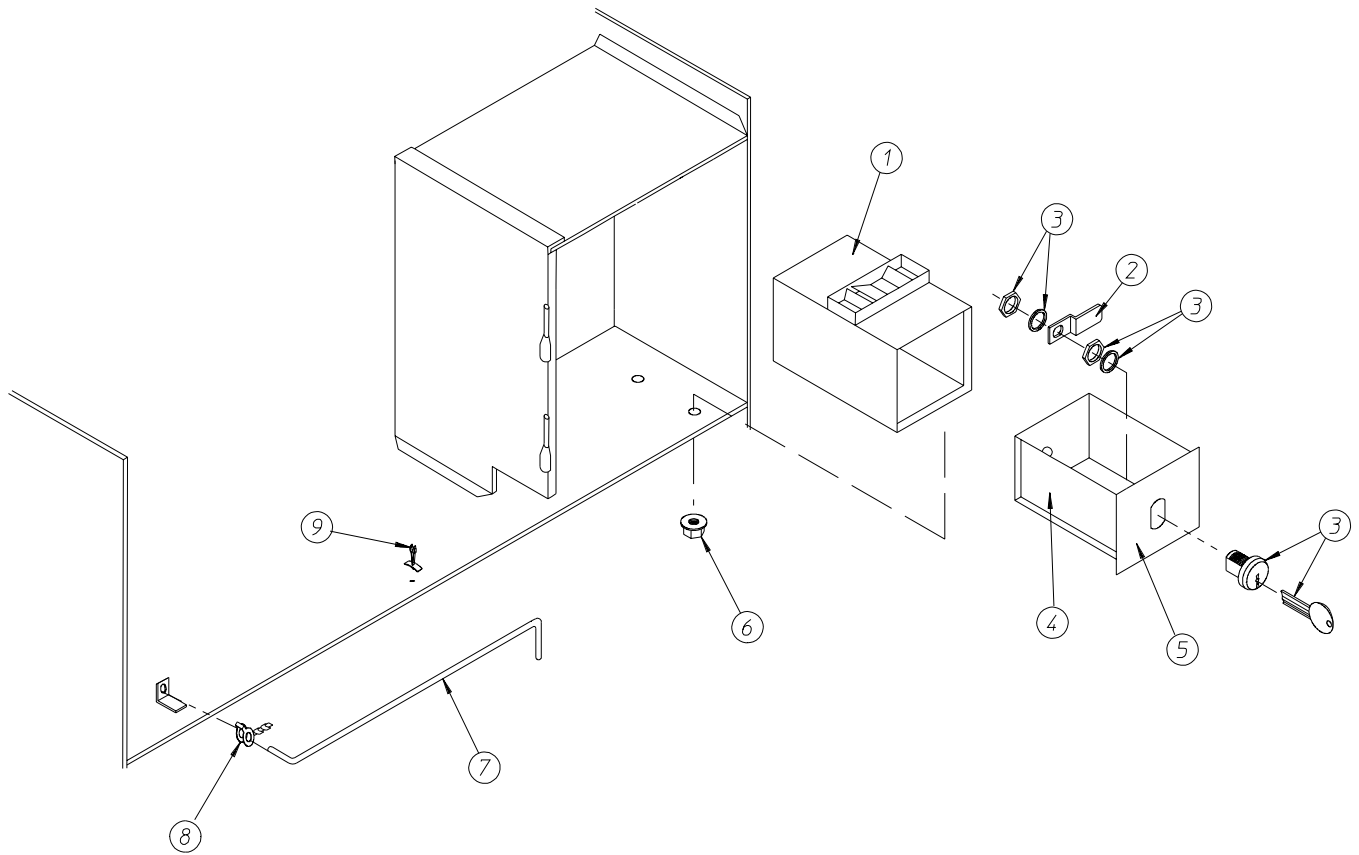
Dual Timer Control Box Assembly



JCARRITA 12/26/00

Illus. No.	Part No.	Qty.	Description
1	122641	1	15-Pin Connector
2	122706	*	Socket Terminal
	122801	1	Pin / Socket Extraction Tool ... Not Illustrated
3	150301	2	#8-18 x 7/16" Phillips Pan Head TEK Screw
4	884252	1	Reversing Timer 24v (for reversing dual timer models Only)

* As required.

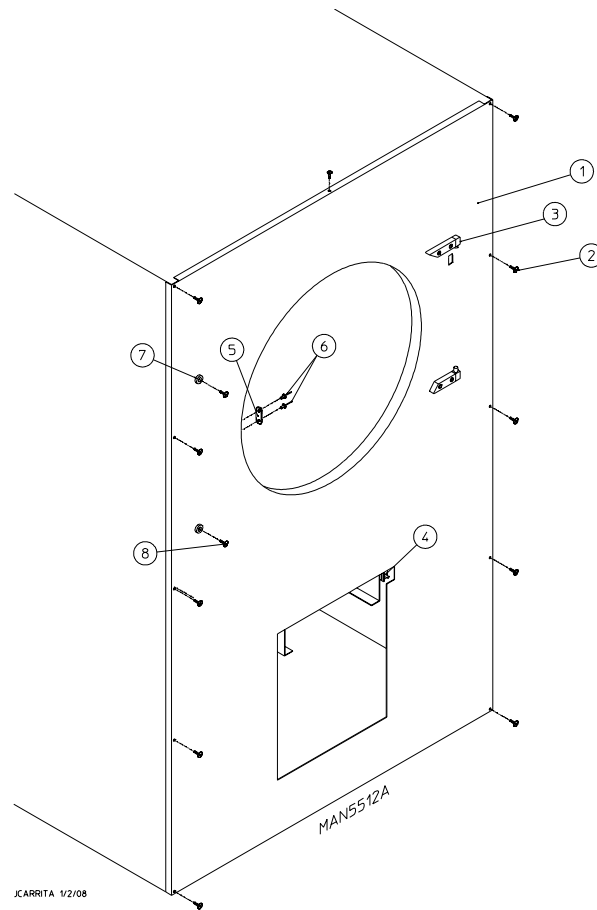


MAN1734

Illus. No.	Part No.	Qty.	Description
1	884050	1	Microprocessor Coin Vault Assembly Complete (includes illus. nos. 1 through 6)
	823143	1	Microprocessor Coin Vault ONLY
2	160028	1	Cam for 1/4" Turn Lock ONLY
3	875061	1	1/4" Turn Lock with Key and Cam
	160105*	1	1/4" Turn Mer-Pel Key ONLY
4	802020	1	1/4" Turn Coin Box Assembly (includes illus. nos. 2 through 5)
	802019	1	1/4" Turn Coin Box ONLY without Faceplate
	125915	1	High Security (Greenwald) Coin Box ONLY with Key (each keyed different)
5	802018	1	1/4" Turn Coin Box Faceplate ONLY
6	152014	4	1/4-20 Free Spin Wash Nut
7	102502	1	Control Door Support Rod
8	102601	1	Control Door Rod Retainer Clip
9	102603	1	Control Door Rod Catch

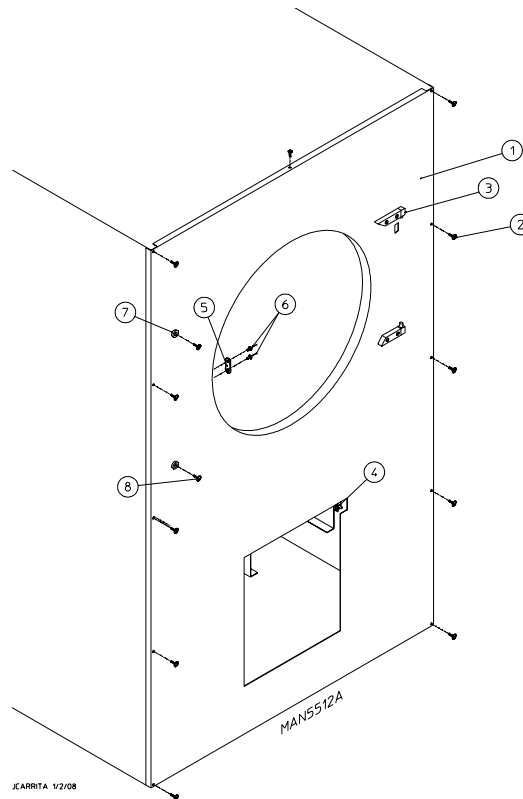
* Specify key number when ordering.

AD-30V Front Panel Assembly



Illus. No.	Part No.	Qty.	Description
1	822686*	1	RH "Magnet" Front Panel Assembly (includes illus. nos. 1, 7, and 8) (for models mfd. as of August 22, 2007)
	822684*	1	LH "Magnet" Front Panel Assembly (includes illus. nos. 1, 7, and 8) (for models mfd. as of August 22, 2007)
	883567	1	RH White Latch Front Panel Assembly (includes illus. nos. 1, 5, and 6) (for models mfd. prior to August 22, 2007)
	883568	1	RH Coral Blue Latch Front Panel Assembly (includes illus. nos. 1, 5, and 6) (for models mfd. prior to August 22, 2007)
	883569	1	RH Ivory Latch Front Panel Assembly (includes illus. nos. 1, 5, and 6) (for models mfd. prior to August 22, 2007)
2	150313	11	#10-16 x 1/2" TORX PLUS® Screw
	150318	1	25 IP TORX PLUS® Bit (for removal of TORX® head screw)
3	—	1	Main Door Hinge (refer to Main Door "Steel" Assembly on page 16)
4	122002	1	Lint Drawer Switch
5	170330	1	Friction Door Latch (latch door version Only)
6	154215	2	5/32" Pop Rivet (latch door version Only)
7	102004	2	0.750 Round Main Door Magnet
8	152223	2	1/2" TORX® Head Screw

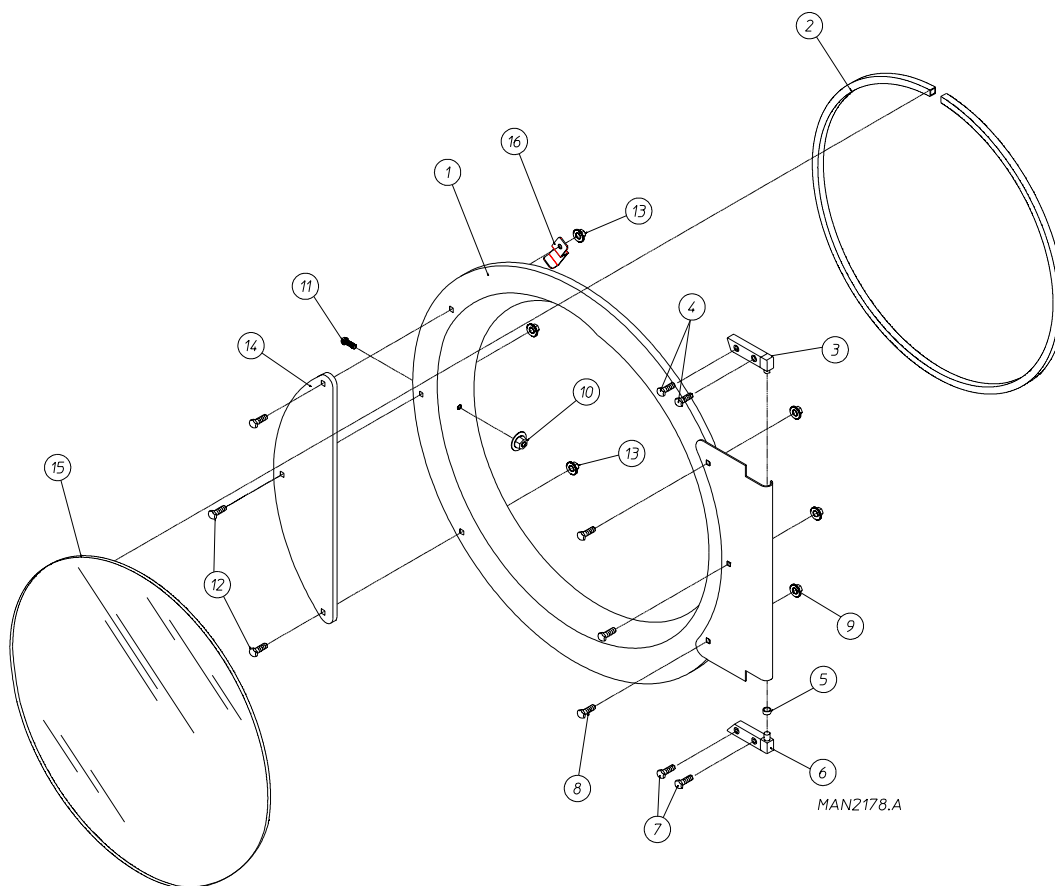
* Specify color when ordering.



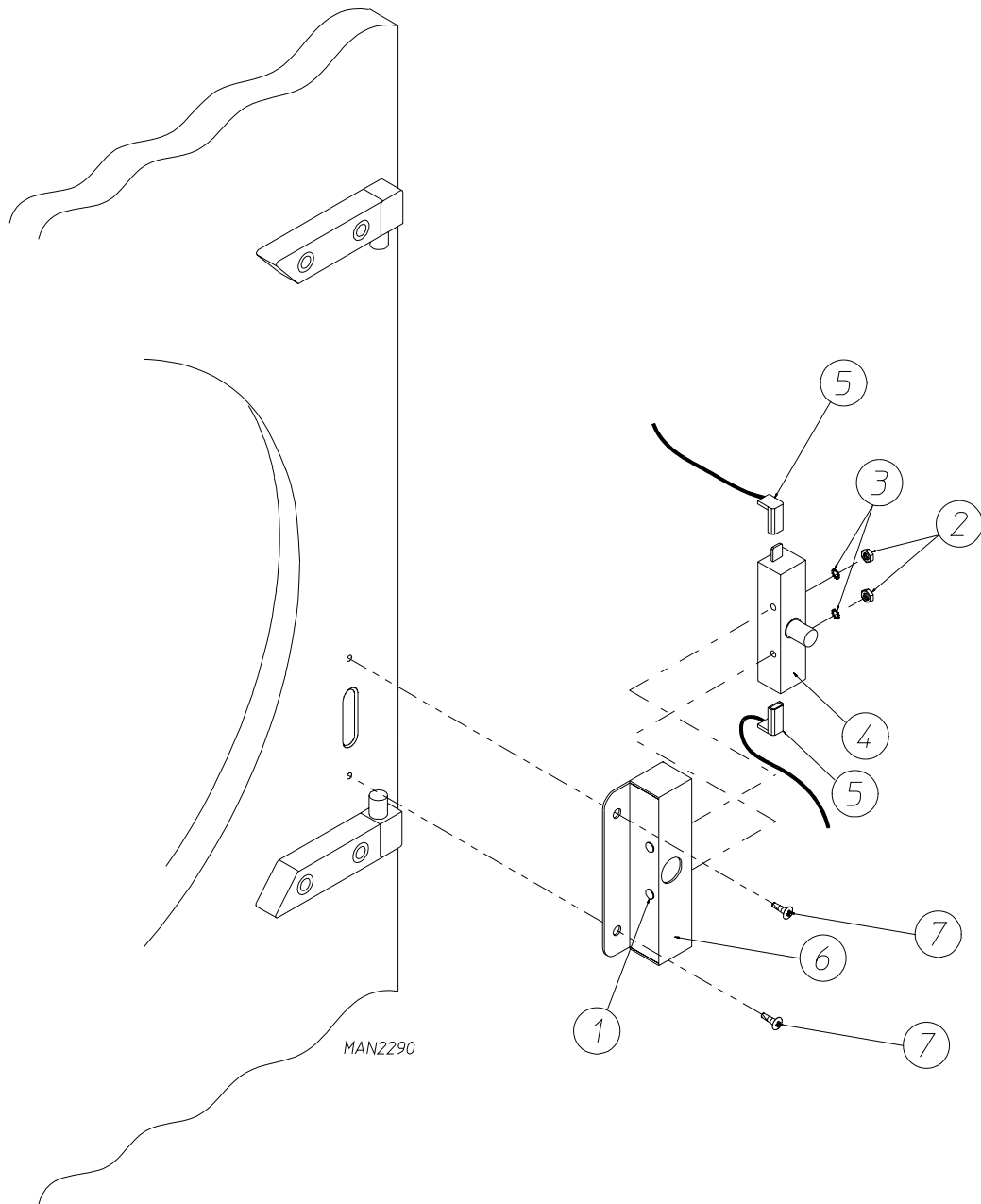
Illus. No.	Part No.	Qty.	Description
1	822669*	1	RH "Magnet" Front Panel Assembly (includes illus. nos. 1, 7, and 8) (for models mfd. as of June 18, 2007)
	822671	1	RH Stainless Steel "Magnet" Front Panel Assembly (includes illus. nos. 1, 7, and 8) (for models mfd. as of June 18, 2007)
	822673*	1	LH "Magnet" Front Panel Assembly (includes illus. nos. 1, 7, and 8) (for models mfd. as of June 18, 2007)
	883137	1	RH White Front Panel Assembly (includes illus. nos. 1, 5, and 6) (for models mfd. prior to June 18, 2007)
	883138	1	RH Coral Blue Front Panel Assembly (includes illus. nos. 1, 5, and 6) (for models mfd. prior to June 18, 2007)
	883139	1	RH Ivory Front Panel Assembly (includes illus. nos. 1, 5, and 6) (for models mfd. prior to June 18, 2007)
2	150313	11	#10-16 x 1/2" TORX PLUS® Screw
	150318	1	25 IP TORX PLUS® Bit (for removal of TORX® head screw)
3	—	1	Main Door Hinge (refer to Main Door "Steel" Assembly on page 16)
4	—	1	Lint Drawer Switch (refer to AD-50V Lint Drawer / Lint Drawer Switch Assemblies on page 20)
5	170330	1	Friction Door Latch
6	154215	2	5/32" Pop Rivet
7	102004	2	0.750 Round Main Door Magnet
8	152223	2	1/2" TORX® Head Screw

* Specify color when ordering.

Main Door "Steel" Assembly

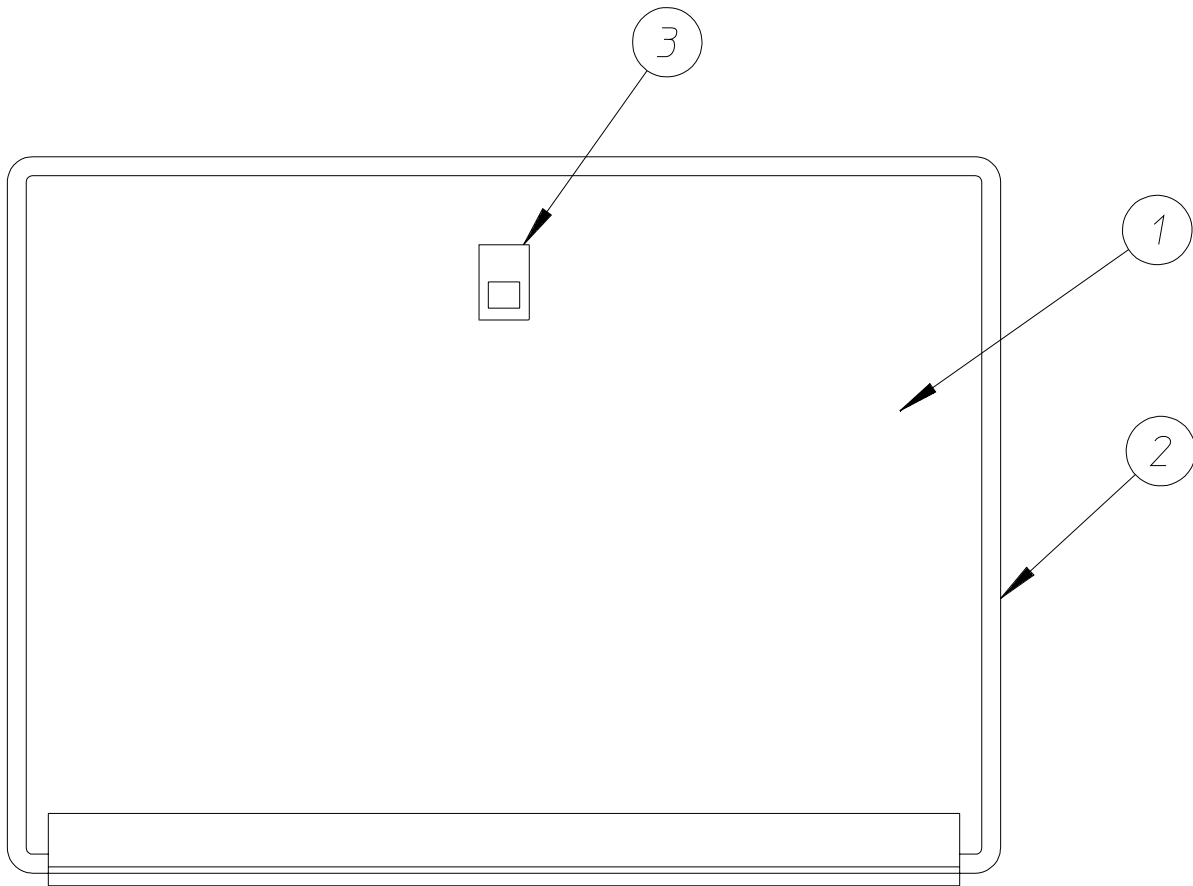


Illus. No.	Part No.	Qty.	Description
1	822661	1	Magnet Black Main Door Assembly Complete (for AD-50V models mfd. as of June 18, 2007 and AD-30V as of August 22, 2007) (includes illus. nos. 1, 2, 8, 9, and 12 through 16)
	881150	1	Latch Black Main Door Assembly Complete (for AD-50V models mfd. prior to June 18, 2007 and AD-30V prior to August 22, 2007) (includes illus. nos. 1, 2, 8, and 9 through 15)
2	102354	1	Door Gasket
	401010	1	Mastic Adhesive (5 oz. tube)
3	881152	1	Black Top Hinge Block Assembly (includes illus. nos. 3 and 4)
4	150445	2	1/4-20 x 3/4" Black Cap Head Setscrew
5	153031	1	1/4" Nylon Washer
6	881151	1	Black Bottom Hinge Block Assembly (includes illus. nos. 5 through 7)
7	150445	2	1/4-20 x 3/4" Black Cap Head Setscrew
8	150683	3	1/4-20 x 5/8" Black Carriage Bolt
9	152014	3	1/4-20 Free Spin Wash Nut
10	151010	1	#10-32 Black Hex Acorn Nut (latch models Only)
11	150120	1	Door Screw (latch models Only)
12	150683	3	1/4-20 x 5/8" Black Carriage Bolt
13	152014	3	1/4-20 Free Spin Wash Nut
14	881210	1	Black Main Door Handle ONLY
15	102211	1	20-7/16" Door Glass
	170730	1	Adhesive (10.3 oz. cartridge)
16	319298	2	Magnet Bracket (for AD-50V models mfd. as of June 18, 2007 and AD-30V as of August 22, 2007)



Illus. No.	Part No.	Qty.	Description
1	150006	2	#6-32 x 7/8" Phillips Pan Head Machine Screw
2	152013	2	#6-32 Hex Nut
3	153010	2	#6 Star Washer
4	137005	1	Door Switch
5	122636	2	Flag Terminal
6	881211	1	Black Main Door Switch Housing ONLY (includes illus. nos. 1 and 6)
	881153	1	Black Main Door Switch Housing Complete (includes illus. nos. 1 through 4 and 6)
7	150301	2	#8-18 x 7/16" Phillips Pan Head TEK Screw

AD-30V Drop Hatch Lint Door Assembly

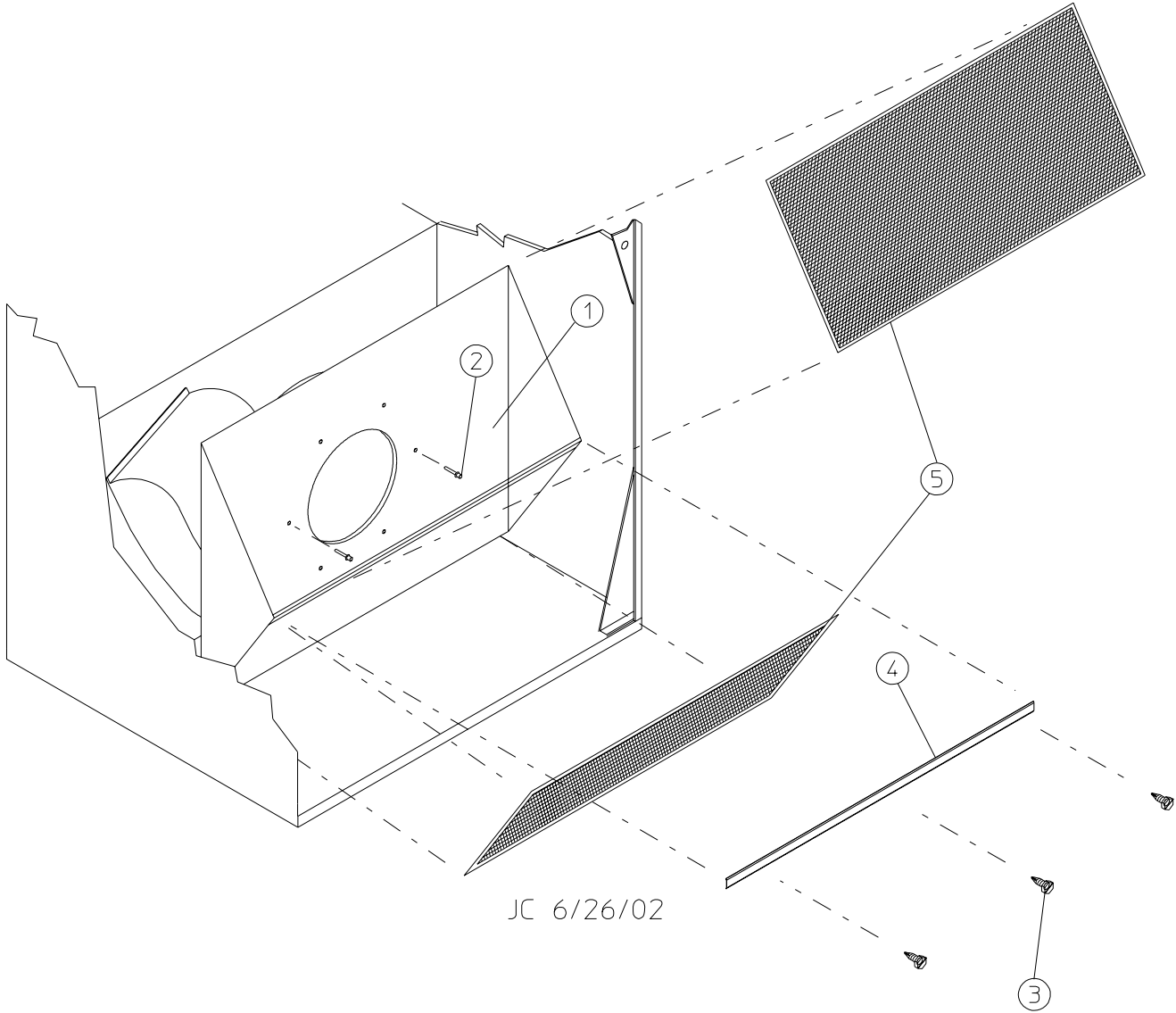


ST 12/11/01

MAN6030

<u>Illus. No.</u>	<u>Part No.</u>	<u>Qty.</u>	<u>Description</u>
1	883680	1	White Drop Lint Door Assembly (non-coin Only) (includes illus. nos. 1 through 3)
	883656	1	Coral Blue Drop Lint Door Assembly (non-coin Only) (includes illus. nos. 1 through 3)
	883657	1	Ivory Drop Lint Door Assembly (non-coin Only) (includes illus. nos. 1 through 3)
	802265*	1	Drop Hatch Lint Door Assembly (coin Only) (includes illus. nos. 1 through 3)
2	117604	6	Noise Suppression Tape (sold by the foot)
3	170226	1	Slide Latch (non-coin Only)
	160001	1	AD-100 Lock with Cam and Key (coin Only)
	160016	1	1-1/4" Cam ONLY (coin Only)
	160103	1	AD-100 Key ONLY (coin Only)

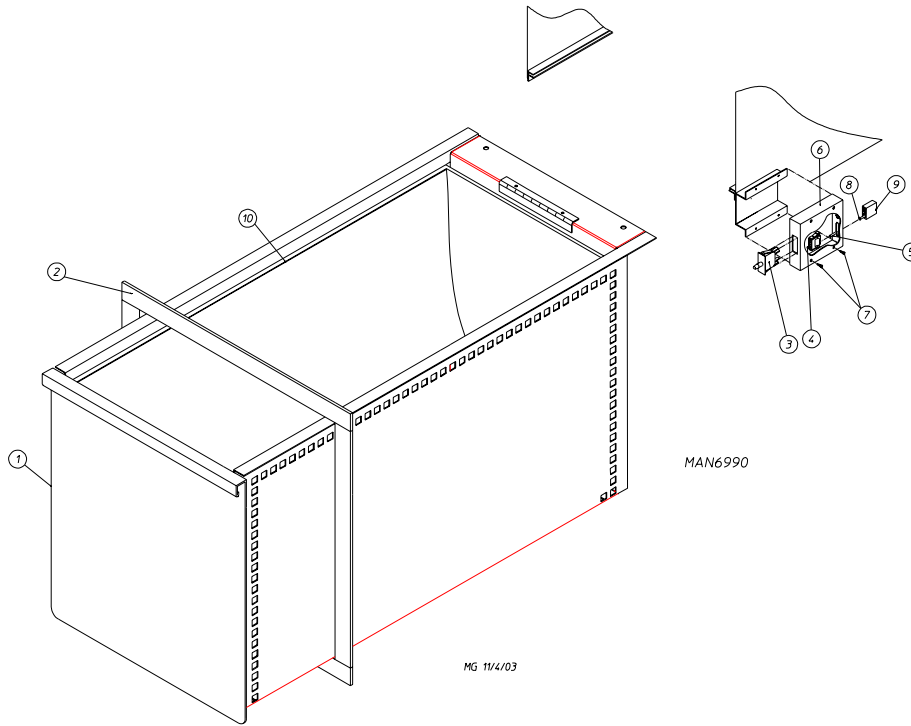
* Specify color when ordering.



MAN6192

Illus. No.	Part No.	Qty.	Description
1	801070	1	Lint Trap Assembly Complete (for 60 Hz models Only) (includes illus. nos. 1 and 3 through 5)
	800401	1	Lint Trap Assembly Complete (for 50 Hz models Only) (includes illus. nos. 1 and 3 through 5)
	801069	1	Lint Trap ONLY (for 60 Hz models Only)
	800443	1	Lint Trap ONLY (for 50 Hz models Only)
2	154200	6	5/32" Pop Rivet
3	150300	3	#10-16 x 1/2" Hex Washer TEK Screw
4	304100	1	Lint Screen Holder
5	800500	2	Lint Screen Assembly

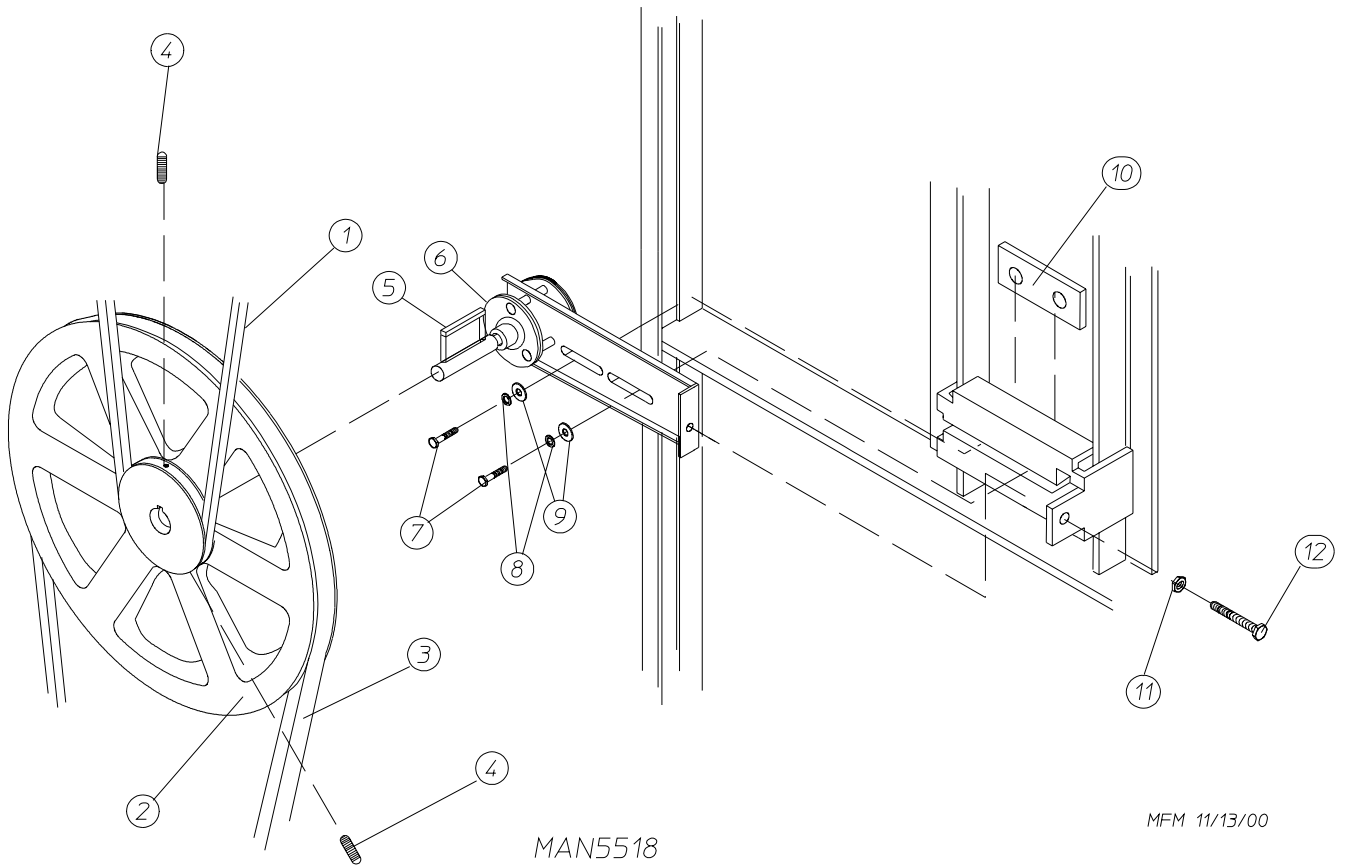
AD-50V Lint Drawer / Lint Drawer Switch Assemblies



Illus. No.	Part No.	Qty.	Description
1	850962**	1	Lint Drawer Assembly (non-coin Only) (for models mfd. as of January 1, 2003)
	883795	1	White Lint Drawer Assembly (non-coin Only) (for models mfd. prior to January 1, 2003)
	883796	1	Coral Blue Lint Drawer Assembly (non-coin Only) (for models mfd. prior to January 1, 2003)
	883797	1	Ivory Lint Drawer Assembly (non-coin Only) (for models mfd. prior to January 1, 2003)
	850968**	1	Locking Lint Basket Assembly (coin Only) (includes illus. nos. 1, 2, and 10)
	160001	1	AD-100 Lock with Cam and Key (coin Only)
	160103	1	AD-100 Key ONLY (coin Only)
	160052	1	Lock Cam ONLY (coin Only)
2	117604	7	Noise Suppression Tape (sold by the foot)
3	122116	1	Lint Drawer Switch
4	122605	*	4-Pin Connector (female)
5	122701	*	Socket Terminal
	122801	1	Pin / Socket Extraction Tool ... Not Illustrated
6	833123	1	Lint Drawer Switch Box Assembly (for Phase 7 models Only) (includes illus. nos. 3 through 6)
	818087	1	Lint Drawer Switch Box Assembly (for dual timer models Only) (includes illus. nos. 3 through 6)
	304136	1	Lint Drawer Switch Box Cover ONLY
7	150301	2	#8-18 x 7/16" Phillips Pan Head TEK Screw
8	122700	*	Pin Terminal
9	122604	*	4-Pin Connector (male)
10	817032	1	Lint Bag (for models mfd. as of January 1, 2003)

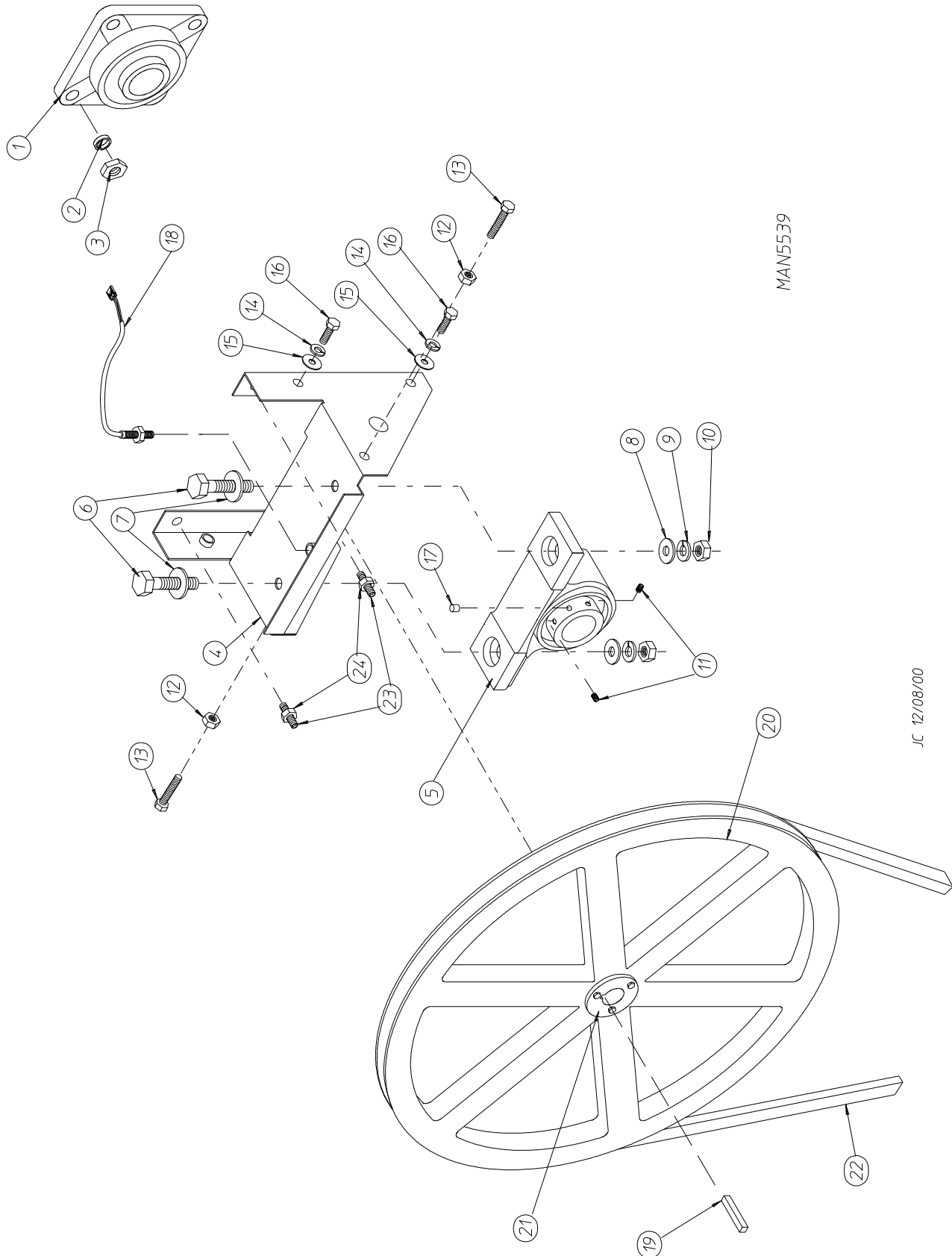
* As required.

** Specify color when ordering.



Illus. No.	Part No.	Qty.	Description
1	100100	1	5L-660 V-Belt (tumbler to idler) for Non-Reversing Models ONLY
	100108	1	5L-680 V-Belt (tumbler to idler) for Reversing Models ONLY
2	101129	1	9" x 2-1/2" Compound Pulley
3	100105	1	4L-520 V-Belt for Non-Reversing Models ONLY
	100112	1	4L-610 V-Belt (idler to motor) for Reversing Models ONLY
4	154301	2	5/16-18 x 1" Allen Setscrew
5	100705	1	3/16" x 3/16" x 1-3/8" Key
6	882576	1	Idler Bearing Assembly Complete (includes illus. nos. 5 through 12)
7	150617	2	3/8-16 x 1" Hex Head Machine Bolt
8	153005	2	3/8" Lock Washer
9	153004	2	3/8" Flat Washer
10	801009	1	Idler Square Washer
11	152004	1	5/16-18 Hex Nut
12	150509	1	5/16-18 x 3" Hex Head Machine Bolt

Tumbler Bearing Assembly

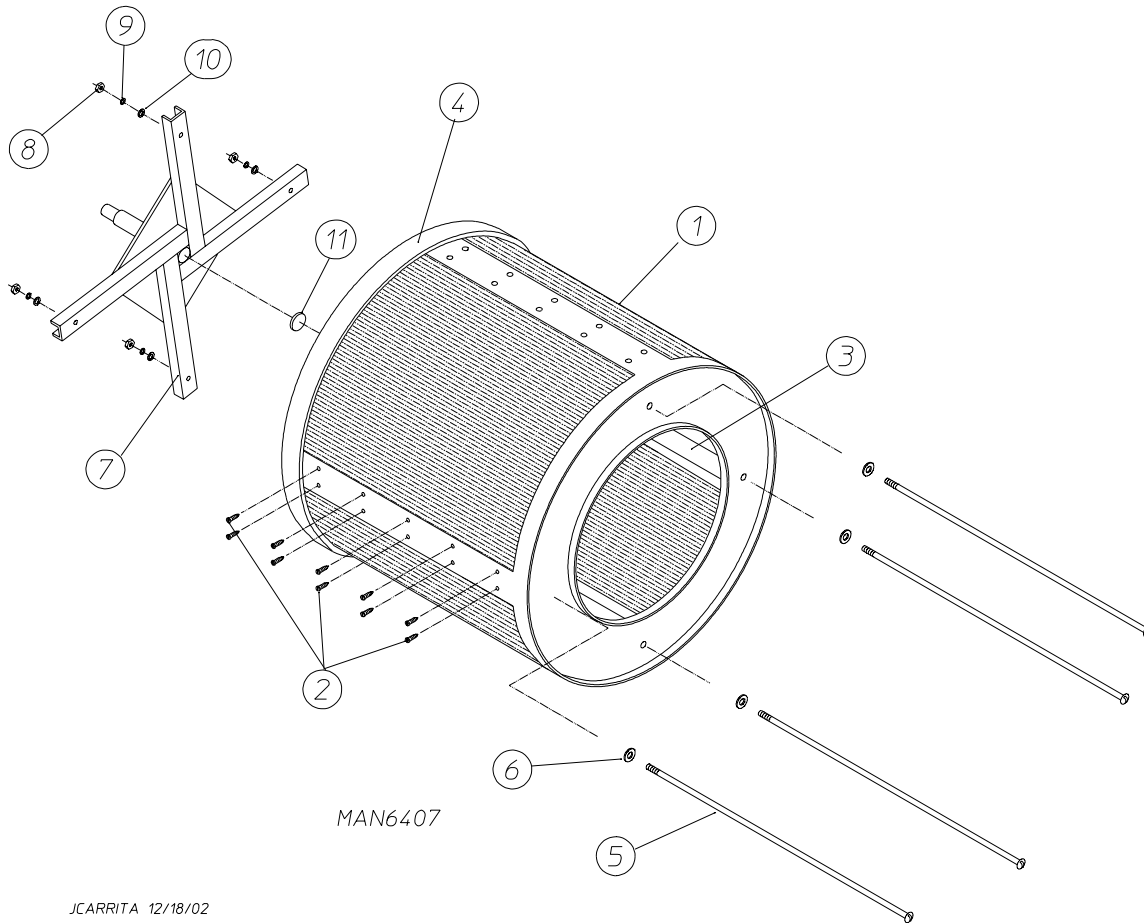


MAN5539

JC 12/08/00

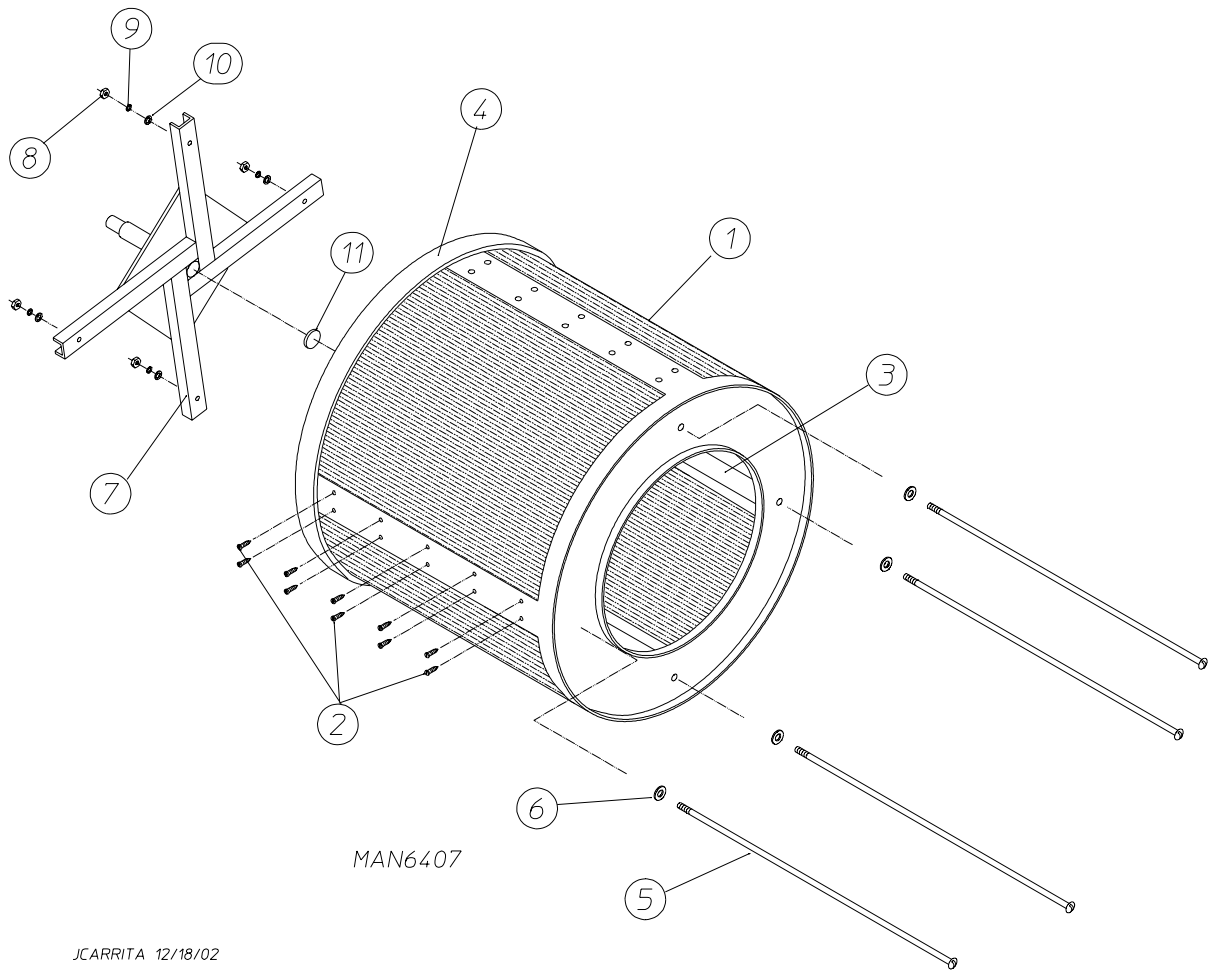
<u>Illus. No.</u>	<u>Part No.</u>	<u>Qty.</u>	<u>Description</u>
1	880220	1	1-3/4" Flange Bearing
2	153025	4	9/16" Lock Washer
3	152050	4	9/16-12 Hex Nut
4	883387	1	Pillow Block Bearing Assembly Complete (for micro models Only) (includes illus. nos. 4 through 18, 23, and 24)
	882544	1	Pillow Block Bearing Assembly Complete (for dual timer models Only) (includes illus. nos. 4 through 16, 23, and 24)
	882543	1	Pillow Block Bearing Platform ONLY (for micro models Only)
	882542	1	Pillow Block Bearing Platform ONLY (for dual timer models Only)
5	880779	1	1-3/8" Pillow Block Bearing (with Rotation Sensor Magnet illus. 17) (for micro models Only)
	880202	1	1-3/8" Pillow Block Bearing (for dual timer models Only)
6	150601	2	3/8-16 x 2" Hex Bolt
7	153004	2	3/8" Flat Washer
8	153004	2	3/8" Flat Washer
9	153005	2	3/8" Lock Washer
10	152005	2	3/8-16 Hex Nut
11	154321	2	5/16-24 x 3/8" Setscrew
12	152004	2	5/16-18 Hex Nut
13	150621	2	5/16-18 x 1-1/2" Tap Bolt
14	153002	4	5/16" Lock Washer
15	153004	6	3/8" Flat Washer
16	150501	4	5/16-18 x 3/4" Tap Bolt
17	102120	1	Sintered 8 Magnet (for micro models Only)
18	883386	1	Rotational Sensor Assembly (for micro models Only)
19	100735	1	Shaft Key (for reversing models Only)
20	101100	1	18" Pulley (for non-reversing models Only)
	101118	1	18-3/4" Pulley (for reversing models Only)
21	101110	1	1" Taper Lock Bushing (for reversing models Only)
22	100100	1	5L-660 V-Belt (tumbler to idler) for Non-Reversing Models ONLY
	100108	1	5L-680 V-Belt (tumbler to idler) for Reversing Models ONLY
23	150610	2	5/16-18 x 1-1/2" Allen Setscrew
24	152004	2	5/16-18 Hex Nut

AD-30V Tumbler / Support Assemblies



Illus. No.	Part No.	Qty.	Description
1*	882519	1	Galvanized Tumbler ONLY
	882521	1	Stainless Steel Tumbler ONLY
	882522	1	Galvanized Tumbler / Support Assemblies (includes illus. nos. 1 through 3 and 5 through 11)
	882523	1	Stainless Steel Tumbler / Support Assemblies (includes illus. nos. 1 through 3 and 5 through 11)
2	150313	40	#10-16 x 1/2" TORX PLUS® Screw
	150318	1	25 IP TORX PLUS® Bit (for removal of TORX® head screw)
3	322002	2	Galvanized Taper Tumbler Rib
	322003	2	Galvanized Straight Tumbler Rib
	322066	2	Stainless Steel Straight Tumbler Rib
	322067	2	Stainless Steel Tapered Tumbler Rib
4	116002	1	Felt Collar ONLY
5	100918	4	3/8-16 x 26-3/4" Tie Rod
6	153004	4	3/8" Flat Washer
7	882517	1	Tumbler Support ONLY
8	152027	4	3/8-16 Nylon Insert Locknut
9	153005	4	3/8" Lock Washer
10	153004	4	3/8" Flat Washer
11	115986	1	1/4" x 2" Felt Tumbler Pad
	401010	1	#847 Adhesive for Felt Collar (5.0 oz. tube) ... Not Illustrated

* Felt collar is not included and must be ordered separately.

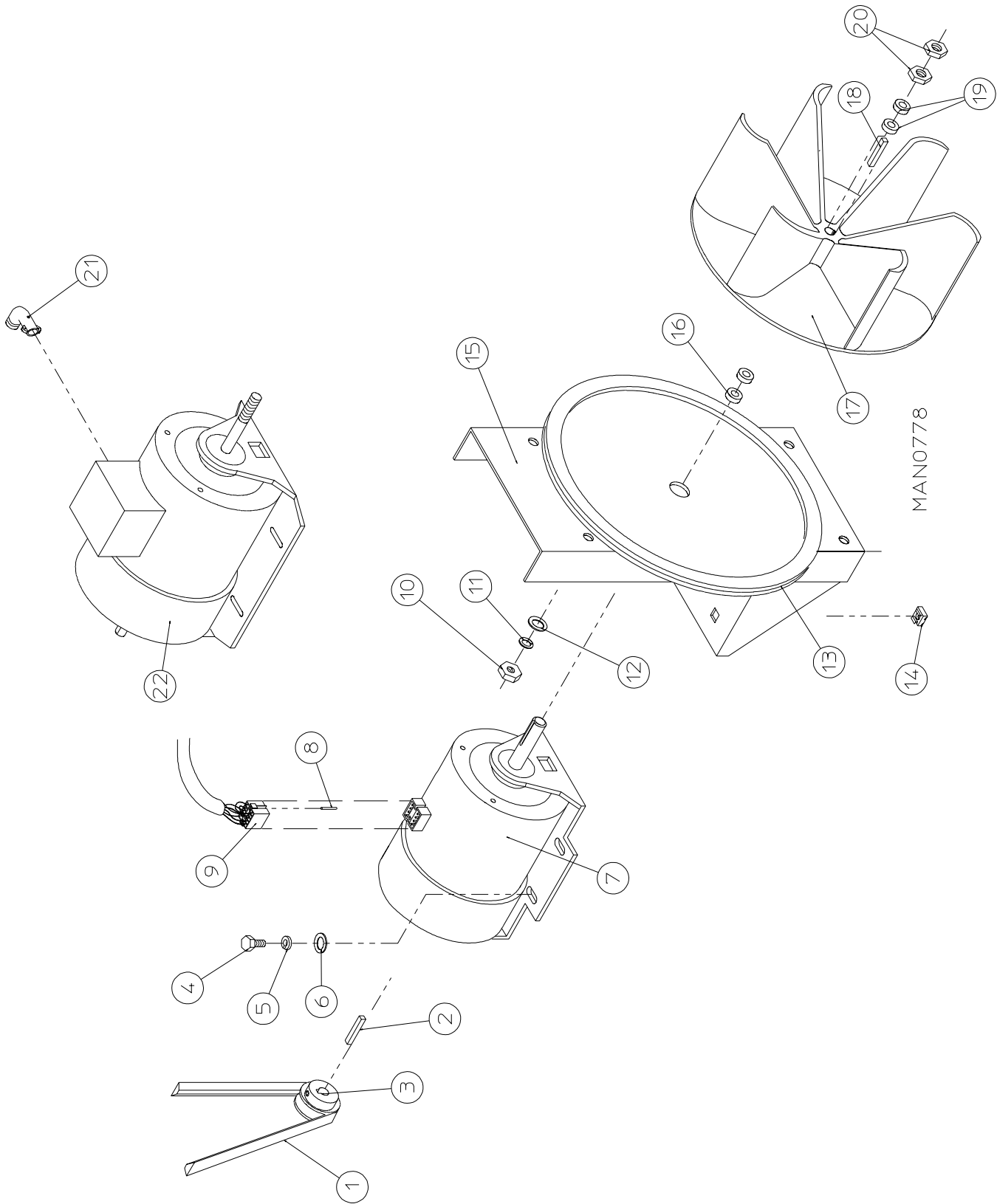


JCARRITA 12/18/02

Illus. No.	Part No.	Qty.	Description
1*	800838	1	Galvanized Tumbler ONLY
	800736	1	Stainless Steel Tumbler ONLY
	800837	1	Galvanized Tumbler and Support Assembly with Tapered Ribs (includes illus. nos. 1 through 3 and 5 through 11)
	882683	1	Stainless Steel Tumbler and Support Assembly with Tapered Ribs (includes illus. nos. 1 through 3 and 5 through 11)
2	150313	40	#10-16 x 1/2" TORX PLUS® Crimptite Screw
	150318	1	25 IP TORX PLUS® Bit (for removal of TORX® head screw)
3	301302	2	Galvanized Tumbler Rib (low rib) ONLY
	301311	2	Galvanized Tumbler Rib (high rib) ONLY
	301425	2	Stainless Steel Tumbler Rib
	301426	2	Stainless Steel Tapered Rib
4	116001	1	Felt Collar ONLY
5	100903	4	3/8-16 x 38-1/2" Tie Rod
6	153004	4	3/8" Flat Washer
7	800616	1	Tumbler Support ONLY
8	152027	4	3/8-16 Nylon Insert Locknut
9	153005	4	3/8" Lock Washer
10	153004	4	3/8" Flat Washer
	115986	1	1/4" x 2" Felt Tumbler Pad
11	401010	1	#847 Adhesive for Felt Collar (5.0 oz. tube) ... Not Illustrated

* Felt collar is not included and must be ordered separately.

AD-30V Non-Reversing Motor Mount Assembly

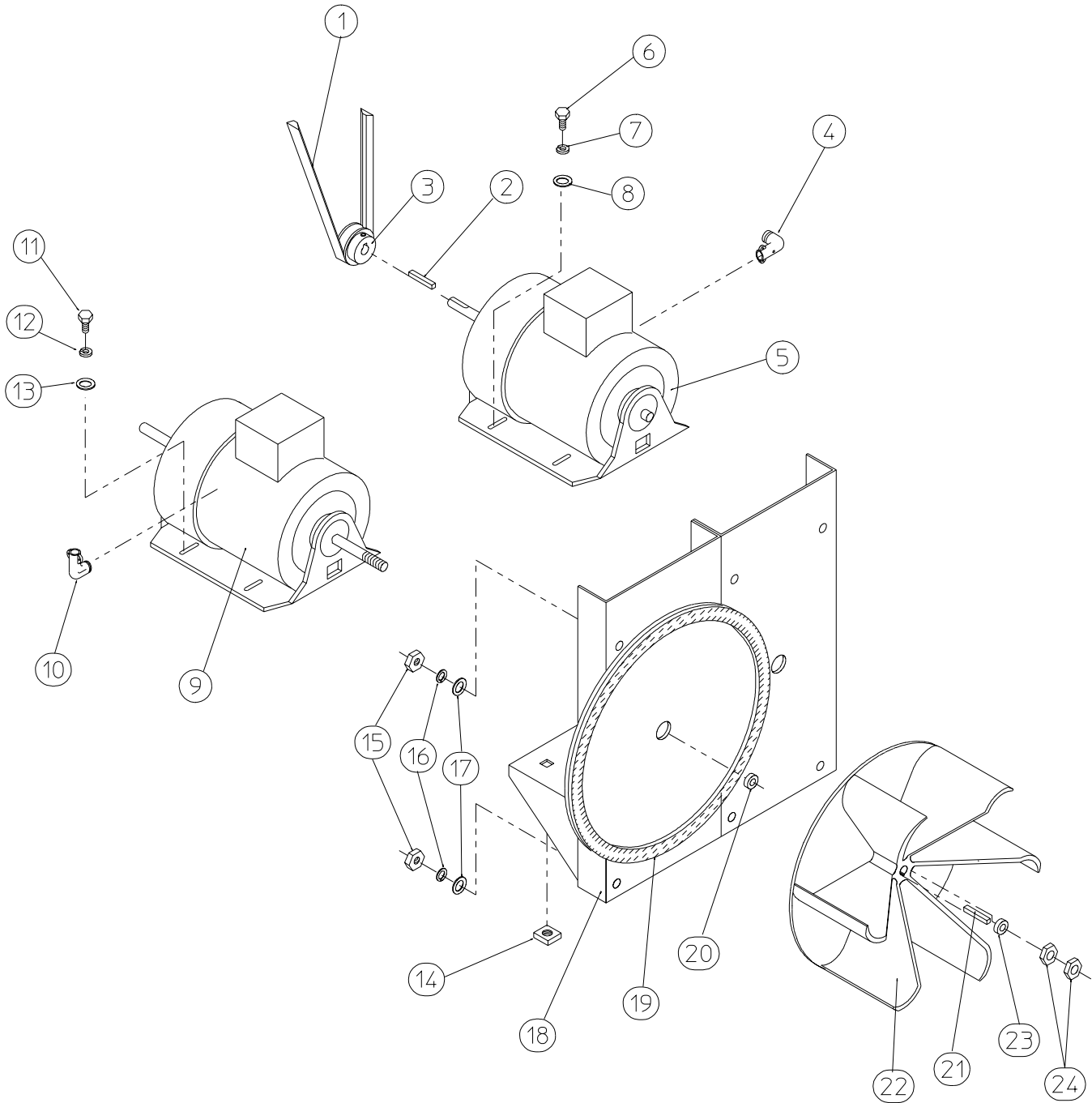


AD-30V Non-Reversing Motor Mount Assembly

<u>Illus. No.</u>	<u>Part No.</u>	<u>Qty.</u>	<u>Description</u>
1	100105	1	4L-520 V-Belt (to idler motor)
2	100701	1	3/16" x 3/16" x 1" Key
3	101104	1	1/2" x 2" Motor Pulley (for use on 1 \emptyset – 60 Hz models Only)
	101132	1	5/8" x 2" Motor Pulley (for use on 3 \emptyset – 60 Hz models Only)
	101131	1	1/2" x 2-1/4" Motor Pulley (for use on 1 \emptyset 50 Hz models mfd. as of August 22, 2002)
	101133	1	5/8" x 2-1/4" Motor Pulley (for use on all 3 \emptyset 50 Hz and 1 \emptyset 50 Hz models mfd. prior to August 22, 2002)
4	150501	4	5/16-18 x 3/4" Hex Head Machine Bolt
5	153002	4	5/16" Lock Washer
6	153001	4	5/16" Flat Washer
7	181049	1	1/2 hp 120-230v 1 \emptyset 50/60 Hz Motor with Plug
	883572	1	1/2 hp 240v 1 \emptyset 50 Hz Motor with Plug (includes motor pulley) (for 1 \emptyset 50 Hz models mfd. prior to August 22, 2002 Only)
8	122701	8	Socket Terminal ONLY
	122801	1	Pin / Socket Extraction Tool ... Not Illustrated
9	137030	1	8-Pin Housing Connector
10	152004	4	5/16-18 Hex Nut
11	153002	4	5/16" Lock Washer
12	153001	4	5/16" Flat Washer
13	117604	4	Noise Suppression Tape (sold by the foot)
14	154000	4	5/16-18 Nut
15	850017	1	Non-Reversing Motor Mount ONLY (56Z frame)
	817075	1	1/2 hp 120-230v 1 \emptyset 60 Hz Motor Mount Assembly Complete with Plug Motor (includes illus. nos. 2 through 7 and 13 through 20)
	803813	1	1/2 hp 240v 1 \emptyset 50 Hz Motor Mount Assembly Complete with Plug Motor (includes illus. nos. 2 through 7 and 13 through 20)
	817080*	1	1/2 hp 208/230/380/460v 3 \emptyset 60 Hz Motor Mount Assembly Complete (includes illus. nos. 2 through 6 and 13 through 22)
	803810*	1	1/2 hp 208/230/380/460v 3 \emptyset 50 Hz Non-Reversing Motor Mount Assembly Complete (includes illus. nos. 2 through 6 and 13 through 22)
16	153050	2	1/2" S.A.E. Flat Washer
17	100604	1	12-1/2" Impellor with 1/2" Bore
18	100702	1	1/8" x 1/8" x 1-1/2" Key
19	153050	2	1/2" S.A.E. Flat Washer
20	152006	2	1/2-20 Left Hand Jam Nut
21	120200	1	3/8" 90° Connector
22	100007*	1	1/2 hp 208-460 3 \emptyset 50/60 Hz Motor

* Specify voltage when ordering.

AD-30V Reversing Motor Mount Assembly



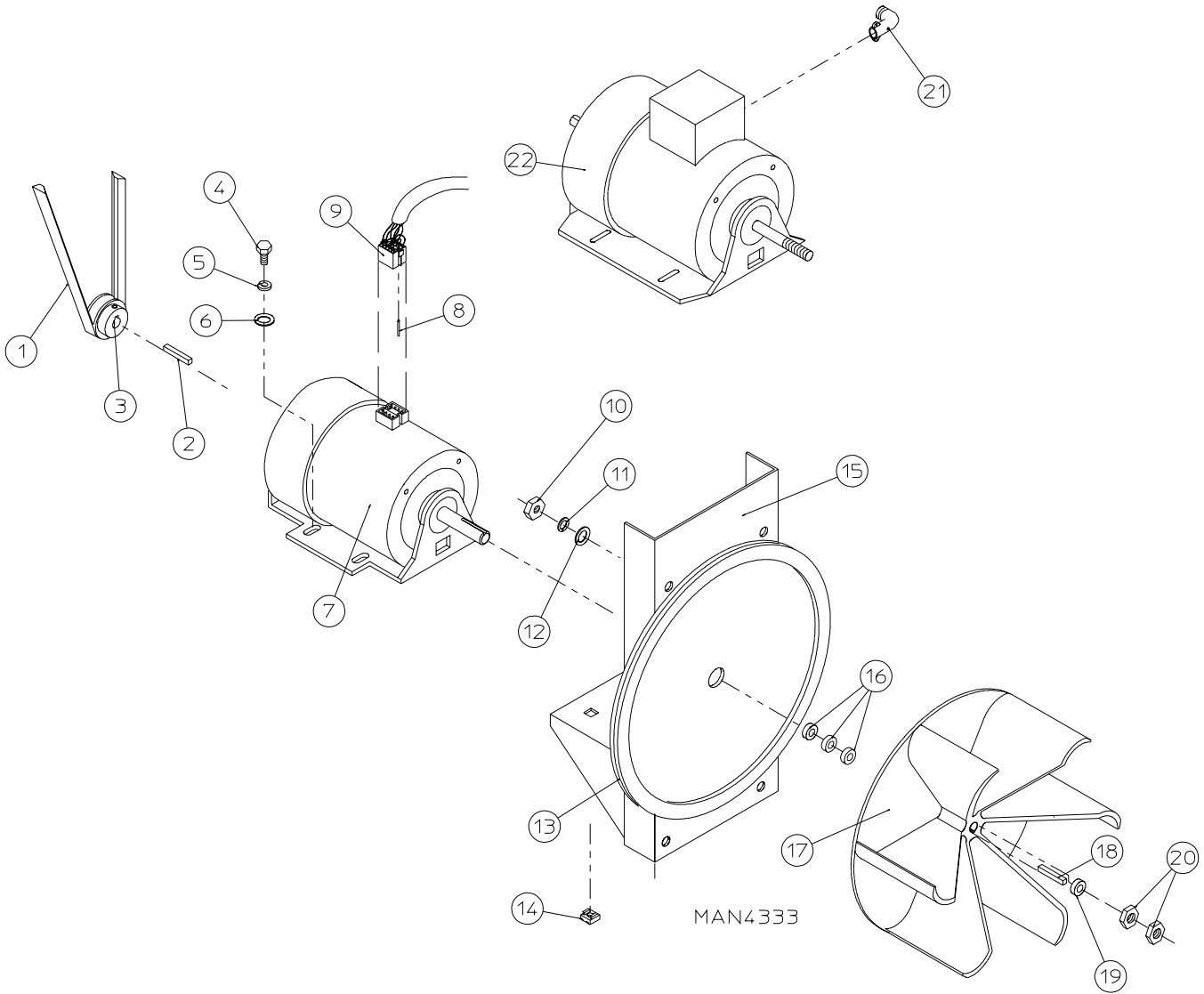
MAN1970

AD-30V Reversing Motor Mount Assembly

<u>Illus. No.</u>	<u>Part No.</u>	<u>Qty.</u>	<u>Description</u>
1	100112	1	4L-610 V-Belt (to idler motor)
2	100701	1	3/16" x 3/16" x 1" Key
3	101132	1	5/8" x 2" Motor Pulley (for 60 Hz models Only)
	101133	1	5/8" x 2-1/4" Motor Pulley (for 50 Hz models Only)
4	120200	1	3/8" x 90° Connector
5*	181003	1	1/2 hp 208/230/380/460v 3ø 50/60 Hz Motor (56z frame)
6	150501	4	5/16-18 x 3/4" Hex Head Machine Bolt
7	153002	4	5/16" Lock Washer
8	153001	4	5/16" Flat Washer
9*	100007	1	1/2 hp 208/230/380/460v 3ø 50/60 Hz Totally Enclosed, Fan-Cooled Motor (56z frame)
10	120200	1	3/8" x 90° Connector
11	150501	4	5/16-18 x 3/4" Hex Head Machine Bolt
12	153002	4	5/16" Lock Washer
13	153001	4	5/16" Flat Washer
14	154000	8	5/16-18 Nut
15	152004	4	5/16-18 Hex Nut
16	153002	4	5/16" Lock Washer
17	153001	4	5/16" Flat Washer
18	850070	1	Motor Mount ONLY (56Z frame) (includes illus. nos. 18 and 19)
	803802*	1	Motor Mount Assembly Complete for 60 Hz Models ONLY (includes illus. nos. 2 through 14 and 18 through 24)
	803803*	1	Motor Mount Assembly Complete for 50 Hz Models ONLY (includes illus. nos. 2 through 14 and 18 through 24)
19	117604	4	Noise Suppression Tape (sold by the foot)
20	153050	2	1/2" S.A.E. Flat Washer
21	100702	1	1/8" x 1/8" x 1-1/2" Key
22	100604	1	12-1/2" Impellor with 1/2" Bore
23	153050	2	1/2" S.A.E. Flat Washer
24	152006	2	1/2-20 Left Hand Jam Nut

* Specify voltage when ordering.

AD-50V Non-Reversing Motor Mount Assembly

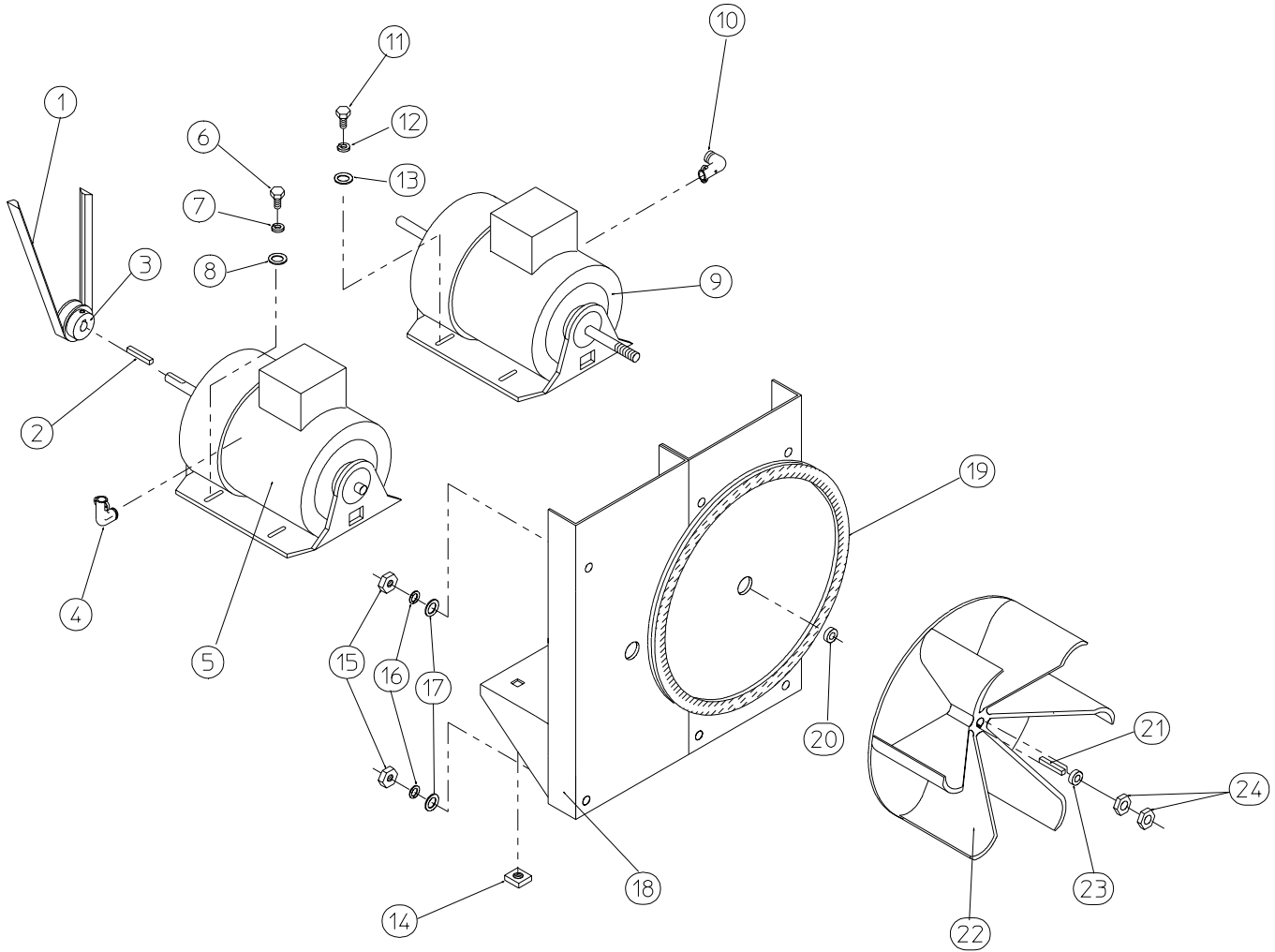


AD-50V Non-Reversing Motor Mount Assembly

<u>Illus. No.</u>	<u>Part No.</u>	<u>Qty.</u>	<u>Description</u>
1	100105	1	4L-520 V-Belt (motor to idler)
2	100701	1	3/16" x 3/16" x 1" Key
3	101132	1	5/8" x 2" Motor Pulley (for use on 60 Hz models Only)
	101133	1	5/8" x 2-1/4" Motor Pulley (for use on 50 Hz models Only)
4	150501	4	5/16-18 x 3/4" Hex Head Machine Bolt
5	153002	4	5/16" Lock Washer
6	153001	4	5/16" Flat Washer
7	100069	1	3/4 hp 120-230v 1ø Totally Enclosed, Fan-Cooled Motor with Plug (56Z frame) For 60 Hz Models ONLY
	100068	1	3/4 hp 240v 1ø Totally Enclosed, Fan-Cooled Motor with Plug (56Z frame) For 50 Hz Models ONLY
8	122701	8	Socket Terminal ONLY
	122801	1	Pin / Socket Extraction Tool ... Not Illustrated
9	137030	1	8-Pin Housing Connector
10	152004	4	5/16-18 Hex Nut
11	153002	4	5/16" Lock Washer
12	153001	4	5/16" Flat Washer
13	117604	4	Noise Suppression Tape (sold by the foot)
14	154000	4	5/16-18 Nut
15	850017	1	Non-Reversing Motor Mount ONLY with Gasket (56Z frame) (includes illus. nos. 13 and 15)
	817029	1	3/4 hp 120-230v 1ø 60 Hz Totally Enclosed, Fan-Cooled Motor Mount Assembly Complete with Plug Motor (includes illus. nos. 2 through 7 and 13 through 20)
	817074	1	3/4 hp 240v 1ø 50 Hz Totally Enclosed, Fan-Cooled Motor Mount Assembly Complete with Plug Motor (includes illus. nos. 2 through 7 and 13 through 20)
	817080*	1	1/2 hp 208/230/380/460v 3ø 60 Hz Motor Mount Assembly Complete (includes illus. nos. 2 through 6 and 13 through 22)
	883271*	1	1/2 hp 208/230/380/460v 3ø 50 Hz Motor Mount Assembly Complete (includes illus. nos. 2 through 6 and 13 through 22)
16	153050	3	1/2" S.A.E. Flat Washer
17	100604	1	12-1/2" Impellor with 1/2" Bore
18	100702	1	1/8" x 1/8" x 1-1/2" Key
19	153050	1	1/2" S.A.E. Flat Washer
20	152006	2	1/2-20 Left Hand Jam Nut
21	120200	1	3/8" x 90° Connector
22	100007*	1	1/2 hp 208/230/380/460v 3ø 50/60 Hz Motor (56Z frame)

* Specify voltage when ordering.

AD-50V Reversing Motor Mount Assembly



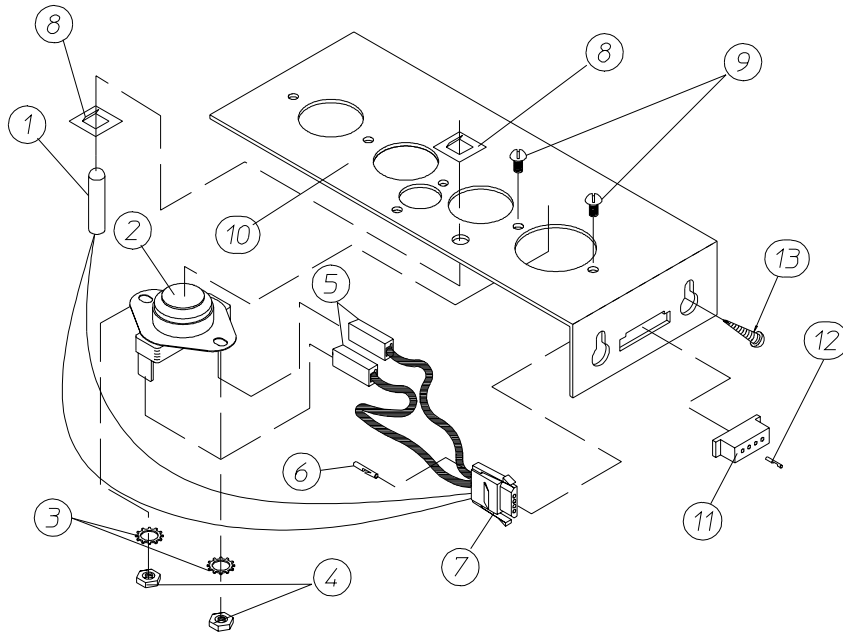
MAN0250

AD-50V Reversing Motor Mount Assembly

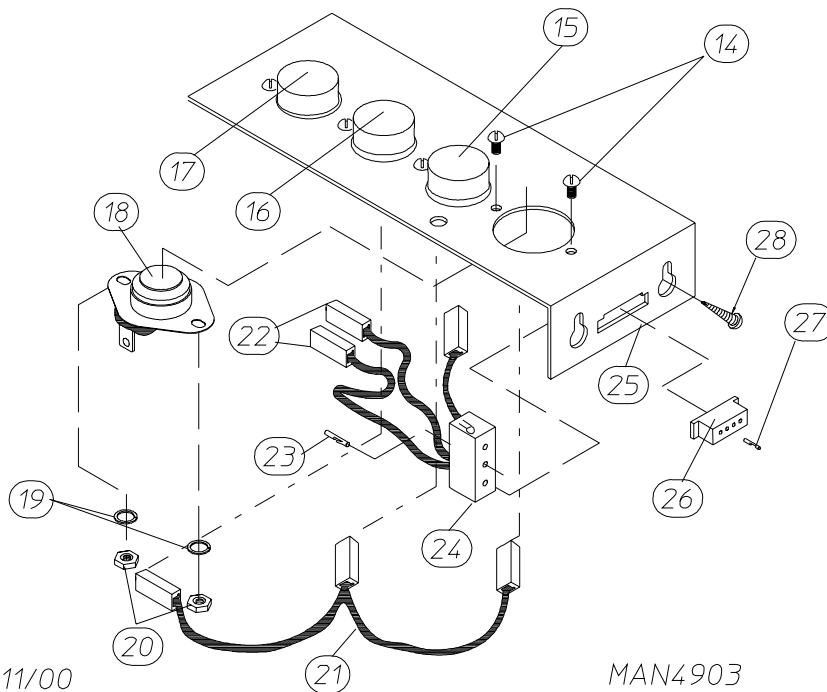
<u>Illus. No.</u>	<u>Part No.</u>	<u>Qty.</u>	<u>Description</u>
1	100112	1	4L-610 V-Belt (motor to idler)
2	100701	1	3/16" x 3/16" x 1" Key
3	101132	1	5/8" x 2" Motor Pulley (for 60 Hz models Only)
	101133	1	5/8" x 2-1/4" Motor Pulley (for 50 Hz models Only)
4	120200	1	3/8" x 90° Connector
5*	181003	1	1/2 hp 208/230/380/460v 3ø 50/60 Hz (56Z frame)
6	150501	4	5/16-18 x 3/4" Hex Head Machine Bolt
7	153002	4	5/16" Lock Washer
8	153001	4	5/16" Flat Washer
9*	100007	1	1/2 hp 208/230/380/460v 3ø 50/60 Hz Motor (56Z frame)
10	120200	1	3/8" x 90° Connector
11	150501	4	5/16-18 x 3/4" Hex Head Machine Bolt
12	153002	4	5/16" Lock Washer
13	153001	4	5/16" Flat Washer
14	154000	8	5/16" Nut
15	152004	7	5/16" Hex Nut
16	153002	4	5/16" Lock Washer
17	153001	4	5/16" Flat Washer
18	850070	1	Motor Mount ONLY with Gasket (56Z frame) (includes illus. nos. 18 and 19)
	803802*	1	60 Hz Motor Mount Assembly Complete (includes illus. nos. 2 through 14 and 18 through 24)
	803803*	1	50 Hz Motor Mount Assembly Complete (includes illus. nos. 2 through 14 and 18 through 24)
19	117604	4	Noise Suppression Tape (sold by the foot)
20	153050	1	1/2" S.A.E. Flat Washer
21	100702	1	1/8" x 1/8" x 1-1/2" Key
22	100604	1	12-1/2" Impellor with 1/2" Bore
23	153050	2	1/2" S.A.E. Flat Washer
24	152006	2	1/2-20 Left Hand Jam Nut

* Specify voltage when ordering.

AD-30V Sensor Bracket Assemblies



MICROPROCESSOR SENSOR BRACKET ASSEMBLY



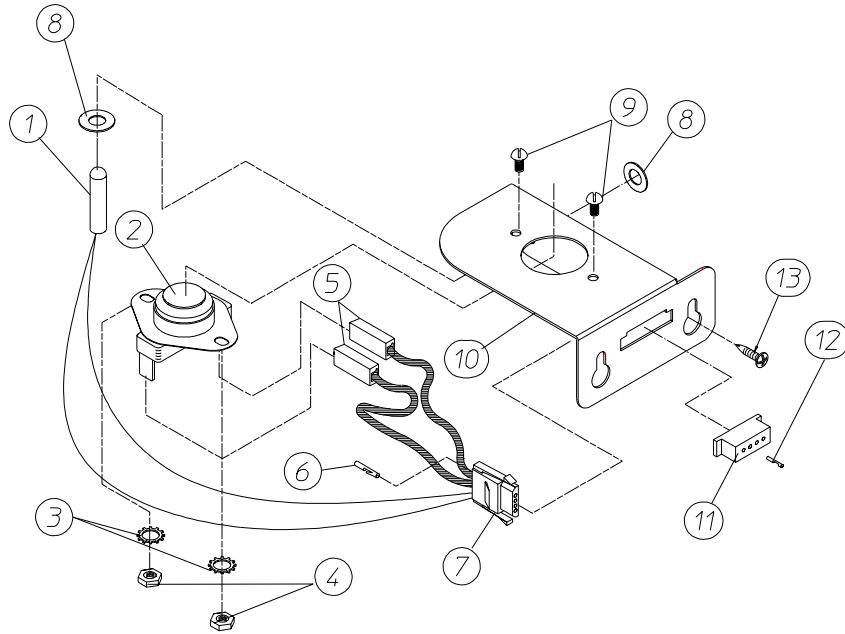
DX 01/11/00

MAN4903

NON-COMPUTER SENSOR BRACKET ASSEMBLY

AD-30V Sensor Bracket Assemblies

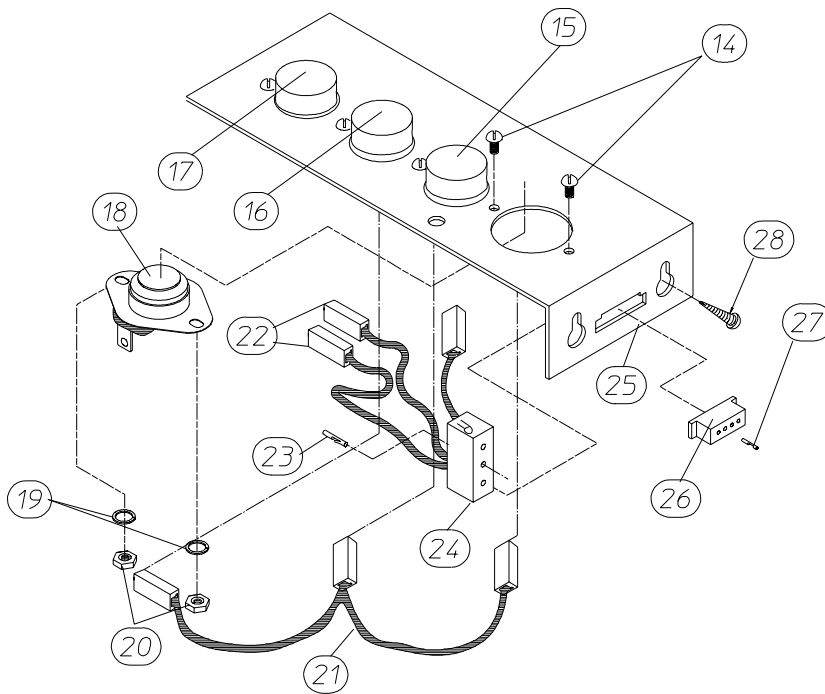
<u>Illus. No.</u>	<u>Part No.</u>	<u>Qty.</u>	<u>Description</u>
1	880251	1	1/4" Temperature Sensor Probe Assembly (includes illus. nos. 1 and 5 through 8)
2	130301	1	225° Hi-Limit Thermostat
3	153010	2	#6 Star Washer
4	152000	2	#6-32 Hex Nut
5	121028	2	Insulated Terminal
6	122701	4	Socket Terminal
7	122605	1	4-Pin Connector (female)
8	154007	2	1/4" Push-On Fastener
9	150005	2	#6-32 x 1/4" Round Head Machine Screw
10	801424	1	Microprocessor Sensor Bracket Assembly Complete (includes illus. nos. 1 through 10)
	305007	1	Sensor Bracket ONLY
11	122604	1	4-Pin Connector (male)
12	122700	4	Pin Terminal
13	150301	2	#8-18 x 7/16" Phillips Pan Head TEK Screw
14	150005	5	#6-32 x 1/4" Phillips Round Head Machine Screw
15	130111	1	130° Thermostat
16	130100	1	150° Thermostat
17	130103	1	225° Hi-Limit Thermostat
18	130101	1	180° Thermostat
19	153010	5	#6 Star Washer
20	152000	5	#6-32 Hex Nut
21	882535	1	Sensor Jumper
22	121028	4	Insulated Terminal
23	122701	4	Socket Terminal
24	122605	1	4-Pin Connector (female)
	882534	1	Sensor Bracket Harness Assembly (includes illus. nos. 22 through 24)
25	818321	1	Noncomputer Sensor Bracket Assembly Complete (includes illus. nos. 14 through 25)
	305007	1	Sensor Bracket ONLY
26	122604	1	4-Pin Connector (male)
27	122700	4	Pin Terminal
	122801	1	Pin / Socket Extraction Tool ... Not Illustrated
28	150301	2	#8-18 x 7/16" Phillips Pan Head TEK Screw



MICROPROCESSOR SENSOR BRACKET ASSEMBLY

MAN6453

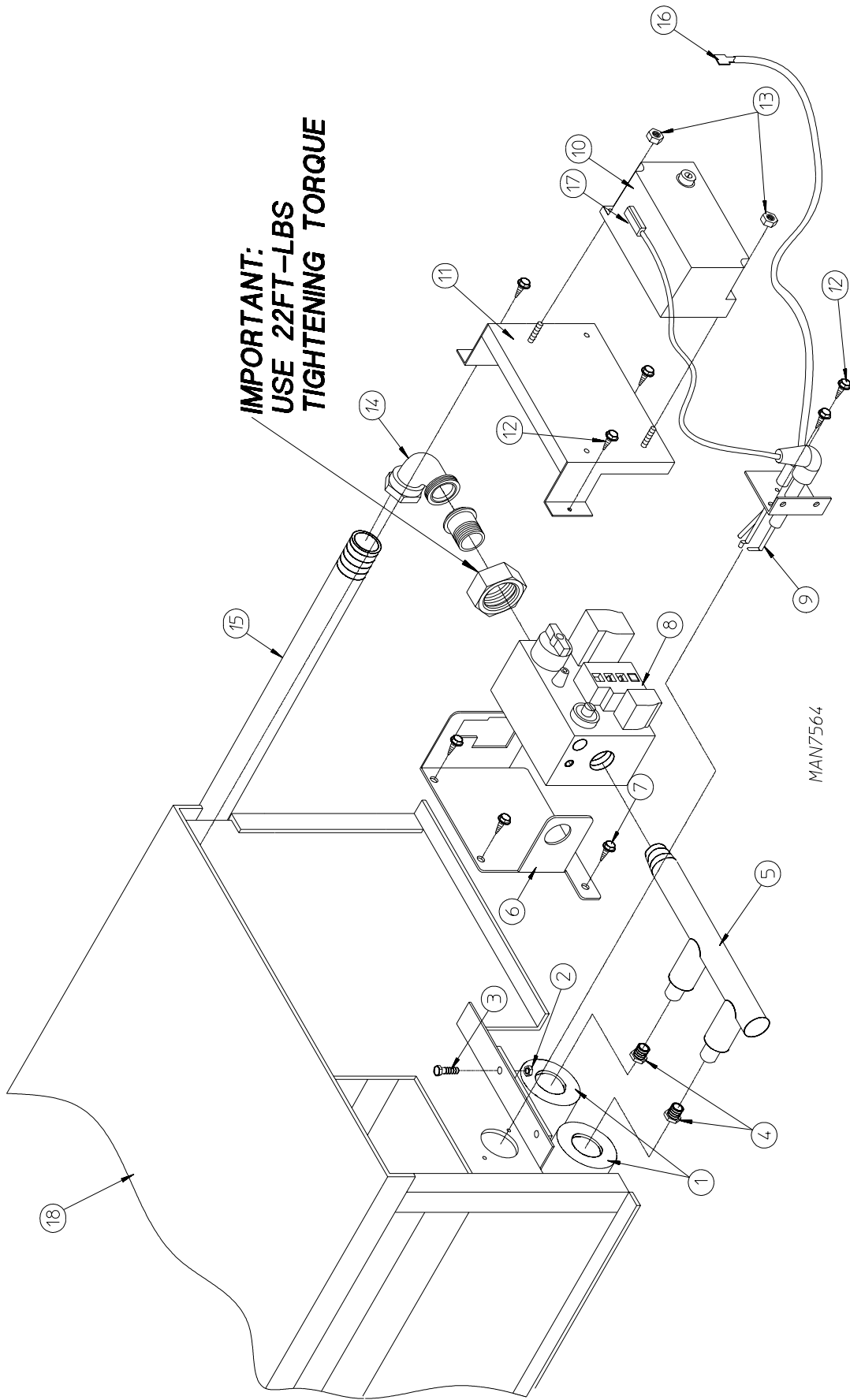
JNERY 1/23/03



NON-COMPUTER SENSOR BRACKET ASSEMBLY

<u>Illus. No.</u>	<u>Part No.</u>	<u>Qty.</u>	<u>Description</u>
1	880251	1	1/4" Temperature Sensor Probe Assembly (includes illus. nos. 1 and 5 through 8)
2	130103	1	225° Hi-Limit Thermostat
3	153010	2	#6 Star Washer
4	152000	2	#6-32 Hex Nut
5	121028	2	Insulated Terminal
6	122701	4	Socket Terminal
7	122605	1	4-Pin Connector (female)
8	154007	2	1/4" Push-On Fastener
9	150005	2	#6-32 x 1/4" Phillips Round Head Machine Screw
10	817046	1	Microprocessor Sensor Bracket Assembly Complete (includes illus. nos. 1 through 10)
	322214	1	Micro Sensor Bracket ONLY
11	122604	1	4-Pin Connector (male)
12	122700	4	Pin Terminal
13	150301	2	#8-18 x 7/16" Phillips Pan Head TEK Screw
14	150005	5	#6-32 x 1/4" Phillips Round Head Machine Screw
15	130111	1	130° Thermostat
16	130100	1	150° Thermostat
17	130301	1	225° Hi-Limit Thermostat
18	130101	1	180° Thermostat
19	153010	5	#6 Star Washer
20	152000	5	#6-32 Hex Nut
21	882535	1	Sensor Jumper
22	121028	4	Insulated Terminal
23	122701	4	Socket Terminal
24	122605	1	4-Pin Connector (female)
	882534	1	Sensor Bracket Harness Assembly (includes illus. nos. 22 through 24)
25	882536	1	Noncomputer Sensor Bracket Assembly Complete (includes illus. nos. 14 through 25)
	322062	1	Universal Sensor Bracket ONLY
26	122604	1	4-Pin Connector (male)
27	122700	4	Pin Terminal
	122801	1	Pin / Socket Extraction Tool ... Not Illustrated
28	150301	2	#8-18 x 7/16" Phillips Pan Head TEK Screw

AD-30V Gas Burner Assembly



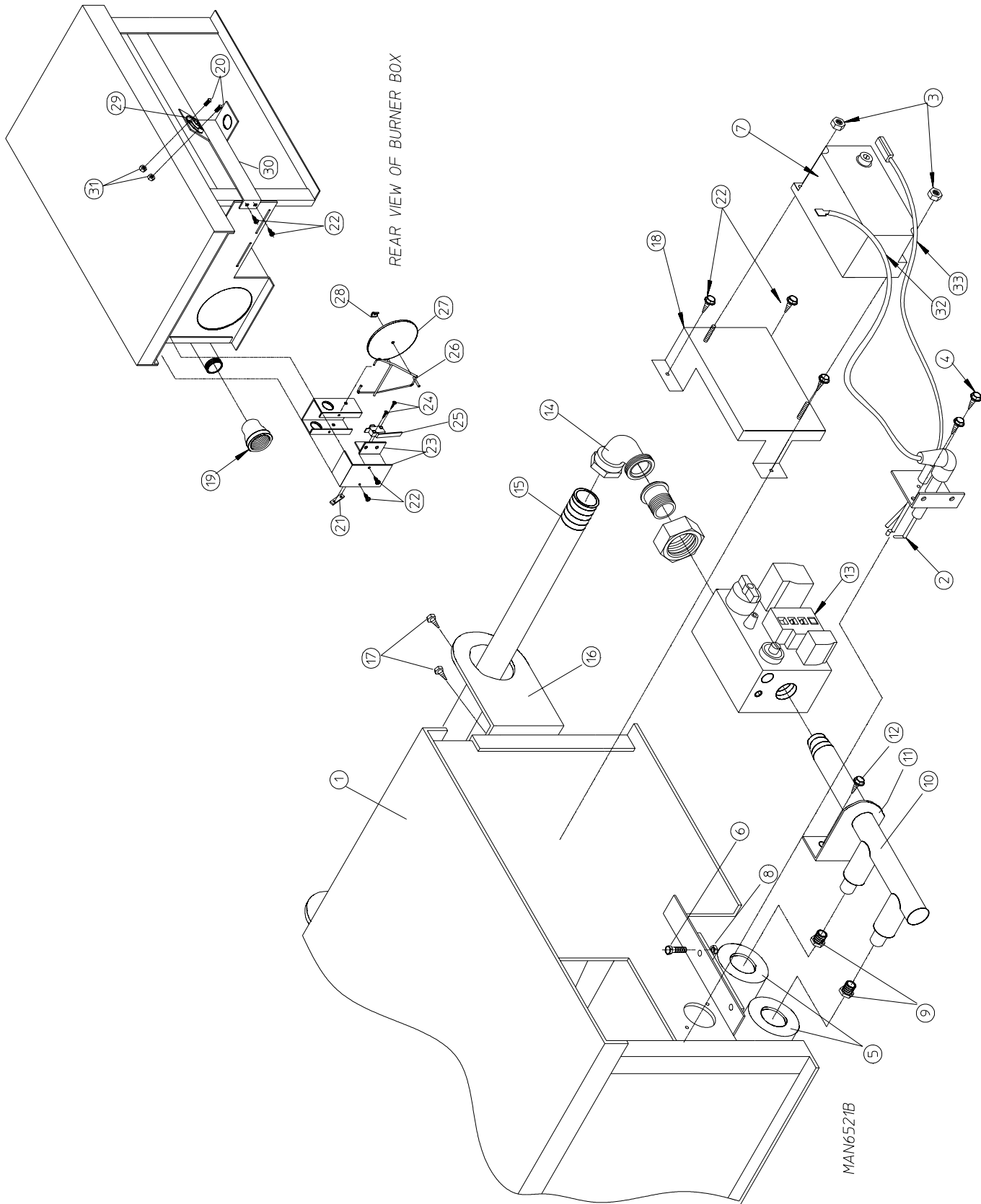
<u>Illus. No.</u>	<u>Part No.</u>	<u>Qty.</u>	<u>Description</u>
1	141105	2	Large Tube Burner
2	151001	2	#8-32 Pal Nut
3	150108	2	#8-32 x 1/2" Phillips Pan Head Machine Screw
4	140820*	2	#29 Burner Orifice (natural gas)
	140806*	2	#46 Burner Orifice (liquid propane gas)
5	141230	1	1/2" Manifold (2-port)
6	318714	1	1-Piece Gas Valve Bracket
7	150309	5	#10-16 x 1/2" Hex Head TEK Crimptite Screw
8	128927	1	1/2" 24 VAC (natural gas) Gas Valve
	880960	1	1/2" 24 VAC (liquid propane gas) Gas Valve
9	884265	1	Ignitor Flame-Probe Assembly ONLY
10	887133	1	Direct Spark Ignition Module (for models mfd. as of March 1, 2004)
	883849	1	Direct Spark Ignition Module Kit (for models mfd. prior to March 1, 2004)
11	810031	1	Direct Spark Ignition Module Mounting Bracket
12	150300	9	#10-16 x 1/2" Hex Washer TEK Screw
13	152013	2	#6-32 Hex Nut
14	141317	1	1/2" Bronze Union Elbow
15	142809	1	1/2" x 29-1/8" Black Pipe
16	830354	1	Direct Spark Ignition Control Wiring Harness
17	884279	1	High Voltage Gray Carbon Wire with Terminal (for models mfd. as of March 1, 2004)
	128919	1	High Voltage Red Wire (for models mfd. prior to March 1, 2004)
18	817060**	1	Direct Spark Ignition Burner Assembly Complete (less orifice) (natural gas) (includes illus. nos. 1 through 3 and 5 through 18)
	817061**	1	Direct Spark Ignition Burner Assembly Complete (less orifice) (liquid propane gas) (includes illus. nos. 1 through 3 and 5 through 18)
	850858	1	Burner Box ONLY
	882269*	1	AD-30V Liquid Propane Conversion Kit (includes orifices)
	880603***	1	Steam to Gas Interface Assembly

* Consult factory for elevations over 2,000 feet.

** Burner orifices are not included and must be ordered separately.

*** Needed when converting steam heat to gas heat.

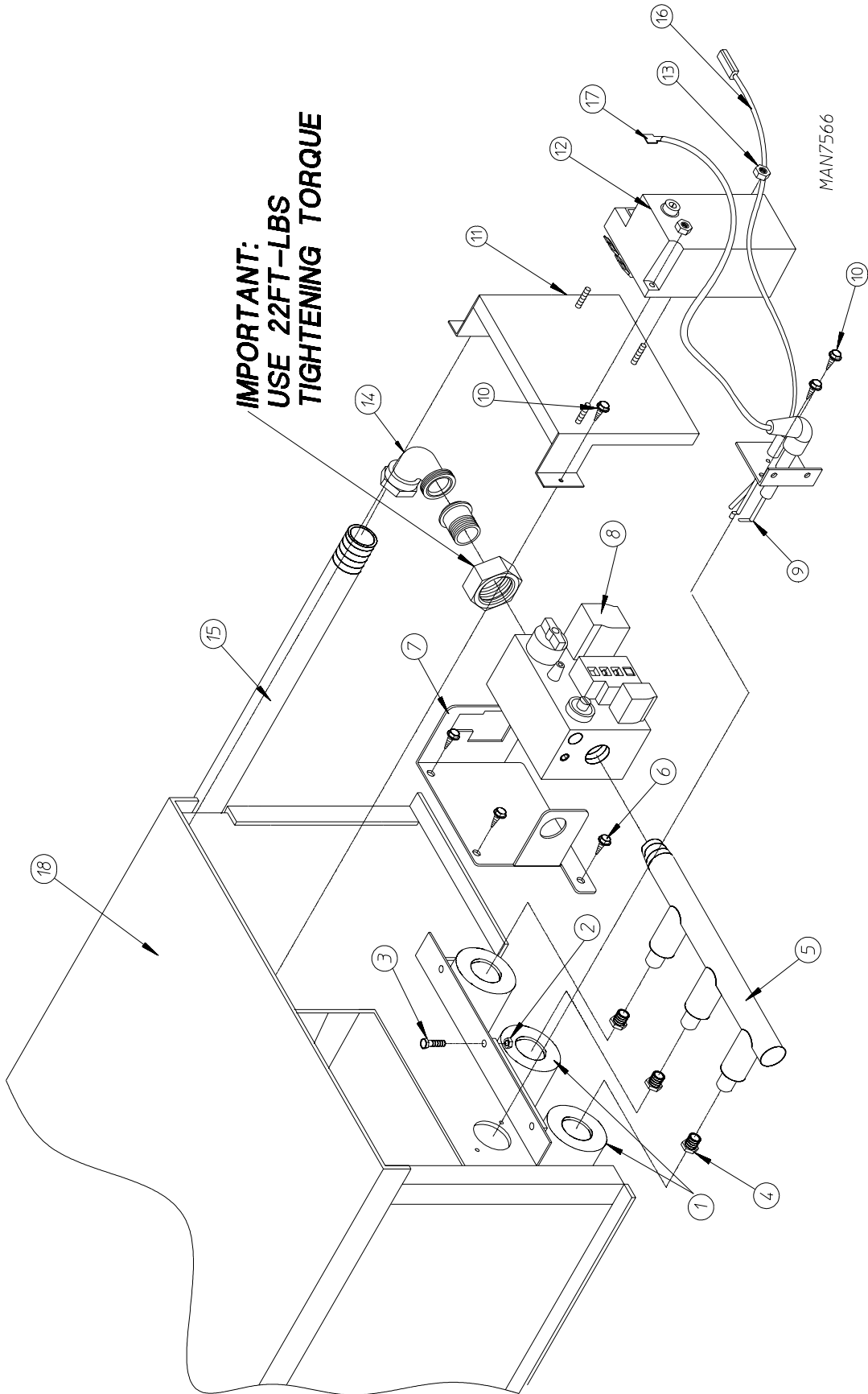
AD-30V CE Burner Assembly



<u>Illus. No.</u>	<u>Part No.</u>	<u>Qty.</u>	<u>Description</u>
1	850858	1	Burner Box ONLY
	801190**	1	Natural Gas Burner Assembly (includes illus. nos. 1 through 8 and 10 through 32)
	817208**	1	Liquid Propane Gas Burner Assembly (includes illus. nos. 1 through 8 and 10 through 32)
	882041**	1	CE Liquid Propane Conversion Kit
2	884265	1	Ignitor Flame-Probe (no wires)
3	152013	2	#6-32 Hex Nut
4	150309	5	#10-16 x 1/2" Hex Head TEK Crimptite Screw
5	141105	2	Large Tube Burner
6	150108	2	#8-32 x 1/2" Pan Head Machine Screw
7	887145	1	CE Direct Spark Ignition Module (for models mfd. as of June 10, 2004)
	887209	1	CE Direct Spark Ignition Module Kit (for models mfd. prior to June 10, 2004)
8	151001	2	#8-32 Pal Nut
9	140819*	2	#30 Burner Orifice (natural gas)
	140804*	2	#48 Burner Orifice (liquid propane gas)
10	141230	1	1/2" Manifold (2-port)
11	318700	1	Pipe Bracket (bent)
12	150300	2	#10-16 x 1/2" Hex Washer TEK Screw
13	128933	1	1/2" 24 VAC CE Gas Valve (natural gas)
	883255	1	1/2" 24 VAC CE Gas Valve (liquid propane gas)
14	141317	1	1/2" Bronze Union Elbow
15	142809	1	1/2" x 29-1/8" Pipe
16	318700	2	Pipe Bracket (bent)
17	150309	4	#10-16 x 1/2" Hex Head TEK Crimptite Screw
18	810029	1	Direct Spark Ignition Module Mounting Bracket (for models mfd. as of June 10, 2004)
	810031	1	Direct Spark Ignition Module Mounting Bracket (for models mfd. prior to June 10, 2004)
19	142935	1	1/2" B.S.P.T. x 1/2" N.P.T. Transition Coupling
20	150005	2	#6-32 x 1/4" Round Head Machine Screw
21	154004	1	Twin Speed Nut
22	150300	9	#10-16 x 1/2" Hex Washer TEK Screw
23	802799	1	Sail Switch Top and Switch Bracket
24	150303	2	#4 x 3/4" Pan Head Machine Screw
25	122200	1	SPST Sail Switch (for micro models Only)
	122404	1	SPDT Sail Switch (for dual timer models Only)
26	105500	1	Sail Switch Actuator Rod
27	319202	1	Sail Switch Damper (flat)
28	154002	1	1/8" Push-On Fastener
29	130201	1	330° Hi-Limit Thermostat
30	319704	1	Hi-Limit Mounting Bracket
31	152013	2	#6-32 Hex Nut
32	884279	1	High Voltage Gray Carbon Wire with Terminal (for models mfd. as of June 10, 2004)
	128919	1	High Voltage Red Wire (for models mfd. prior to June 10, 2004)
33	830354	1	Direct Spark Ignition Control Wiring Harness

* Consult factory for elevations over 2,000 feet.

** Burner orifices are not included and must be ordered separately.



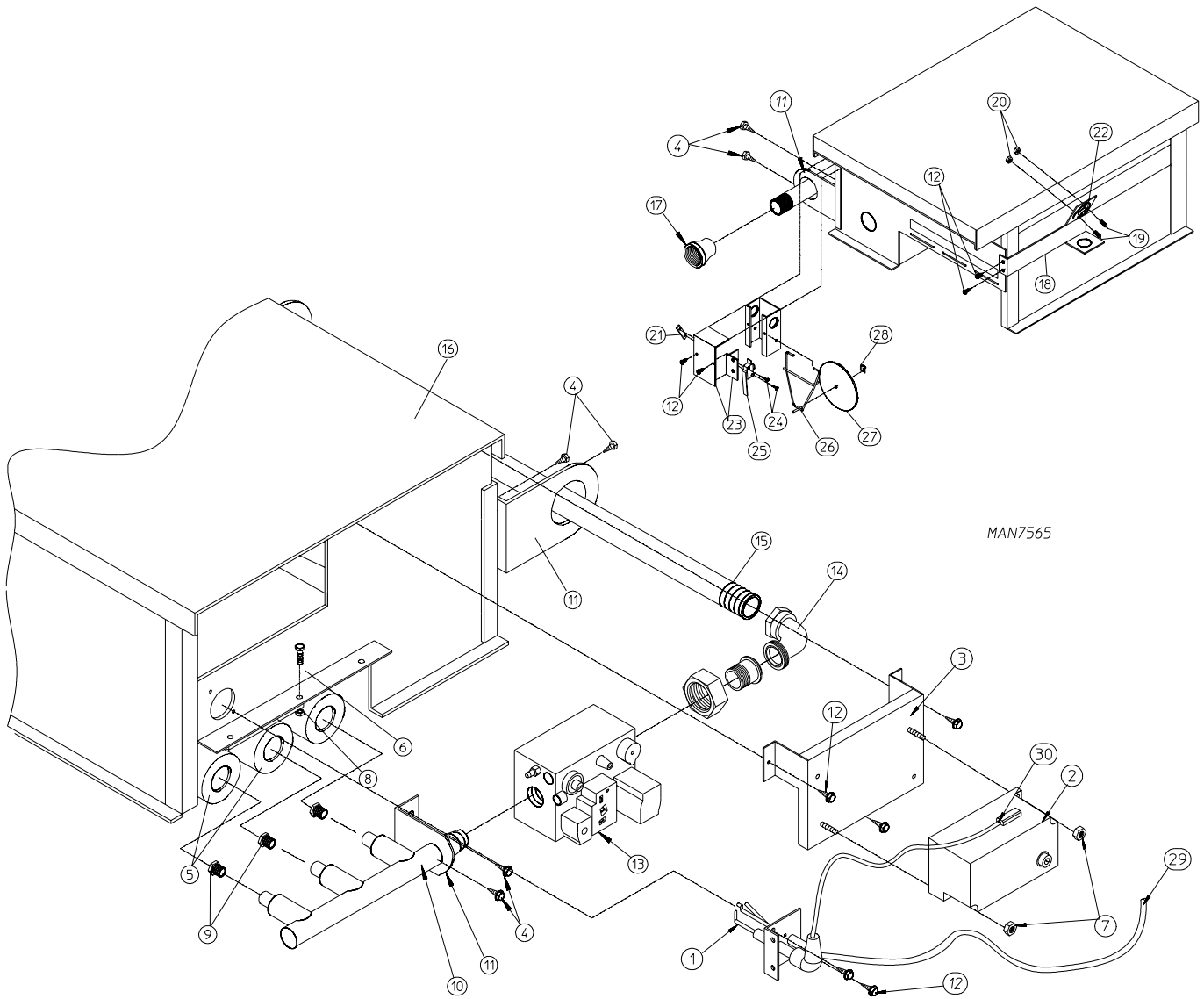
<u>Illus. No.</u>	<u>Part No.</u>	<u>Qty.</u>	<u>Description</u>
1	141105	3	Large Tube Burner
2	151001	3	#8-32 Pal Nut
3	150108	3	#8-32 x 1/2" Pan Head Machine Screw
4*	140820	3	#29 Natural Gas Burner Orifice
	140806	3	#46 Liquid Propane Burner Orifice
5	141232	1	1/2" Manifold (3-port)
6	150309	3	#10-16 x 1/2" Hex Head TEK Crimptite Screw
7	318714	1	Gas Valve Bracket (horizontal)
8	128927	1	1/2" 24 VAC Redundant (natural gas) Gas Valve
	880960	1	1/2" 24 VAC Redundant (liquid propane gas) Gas Valve
9	884265	1	Ignitor Flame-Probe ONLY
	882537	1	Flame-Probe Wire
10	150300	2	#10-16 x 1/2" Hex Washer TEK Screw
11	810029	1	Direct Spark Ignition Module Mounting Bracket
12	887133	1	Direct Spark Ignition Module (for models mfd. as of March 1, 2004)
	887849	1	Direct Spark Ignition Module (for models mfd. prior to March 1, 2004)
13	152013	2	#6-32 Hex Nut
14	141317	1	1/2" Bronze Union Elbow
15	142809	1	1/2" x 29-1/8" Black Nipple
16	830354	1	Direct Spark Ignition Control Wiring Harness
17	884279	1	High Voltage Gray Carbon Wire with Terminal (for models mfd. as of March 1, 2004)
	128919	1	High Voltage Red Wire (for models mfd. prior to March 1, 2004)
18	817062***	1	Direct Spark Ignition Burner Assembly Complete (natural gas) (includes illus. nos. 1 through 3 and 5 through 18)
	817063***	1	Direct Spark Ignition Burner Assembly Complete (liquid propane gas) (includes illus. nos. 1 through 3 and 5 through 18)
—	850899	1	Burner Box ONLY
—	882271*	1	ADG-50V Liquid Propane Conversion Kit (includes orifices)
	883310**	1	Steam to Gas Transition Plate ... Not Illustrated

* Consult factory for elevations over 2,000 feet.

** Needed when converting dryer from steam heat to gas heat.

*** Burner orifices are not included and must be ordered separately.

AD-50V CE Burner Assembly



<u>Illus. No.</u>	<u>Part No.</u>	<u>Qty.</u>	<u>Description</u>
1	884265	1	Ignitor Flame-Probe ONLY
2	887145	1	CE Direct Spark Ignition Module (for models mfd. as of June 10, 2004)
	887209	1	CE Direct Spark Ignition Module (for models mfd. prior to June 10, 2004)
3	810029	1	Direct Spark Ignition Module Mounting Bracket Assembly
4	150309	6	#10-16 x 1/2" Hex Head TEK Crimptite Screw
5	141105	3	Large Tube Burner
6	150108	3	#8-32 x 1/2" Pan Head Machine Screw
7	152013	2	#6-32 Hex Nut
8	151001	3	#8-32 Pal Nut
9	140819*	3	#30 Burner Orifice (natural gas)
	140804*	3	#48 Burner Orifice (liquid propane gas)
10	141232	1	1/2" Manifold (3-port)
11	318700	3	Pipe Bracket (bent)
12	150300	9	#10-16 x 1/2" Hex Washer TEK Screw
13	128933	1	CE Gas Valve (natural gas)
	883255	1	CE Gas Valve (liquid propane gas)
14	141317	1	1/2" Bronze Union Elbow
15	142809	1	1/2" x 29-1/8" Pipe
16	850899	1	Burner Box ONLY
	817174**	1	Natural Gas Burner Assembly Complete (includes illus. nos. 1 through 8, 10 through 28, and 30)
	817207**	1	Liquid Propane Gas Burner Assembly Complete (includes illus. nos. 1 through 8, 10 through 28, and 30)
	_____****	1	Liquid Propane Conversion Kit
	883310***	1	Steam to Gas Interface Plate ... Not Illustrated
17	142935	1	1/2" Coupling
18	319704	1	Hi-Limit Mounting Bracket
19	150001	2	#6-32 x 1/2" Round Head Machine Screw
20	151000	2	#6-32 Pal Nut
21	154004	1	Twin Speed Nut
22	130201	1	330° Hi-Limit Thermostat
23	802799	1	Sail Switch Top and Switch Bracket
24	150303	2	#4 x 3/4" Pan Head Machine Screw
25	122200	1	SPST Sail Switch (for micro models Only)
	122404	1	SPDT Sail Switch (for dual timer models Only)
26	105500	1	Sail Switch Actuator Rod
27	319202	1	Sail Switch Damper (flat)
28	154002	1	1/8" Push-On Fastener
29	830354	1	Direct Spark Ignition Control Wiring Harness
30	884279	1	High Voltage Gray Carbon Wire with Terminal (for models mfd. as of March 1, 2004)
	128919	1	High Voltage Red Wire (for models mfd. prior to March 1, 2004)

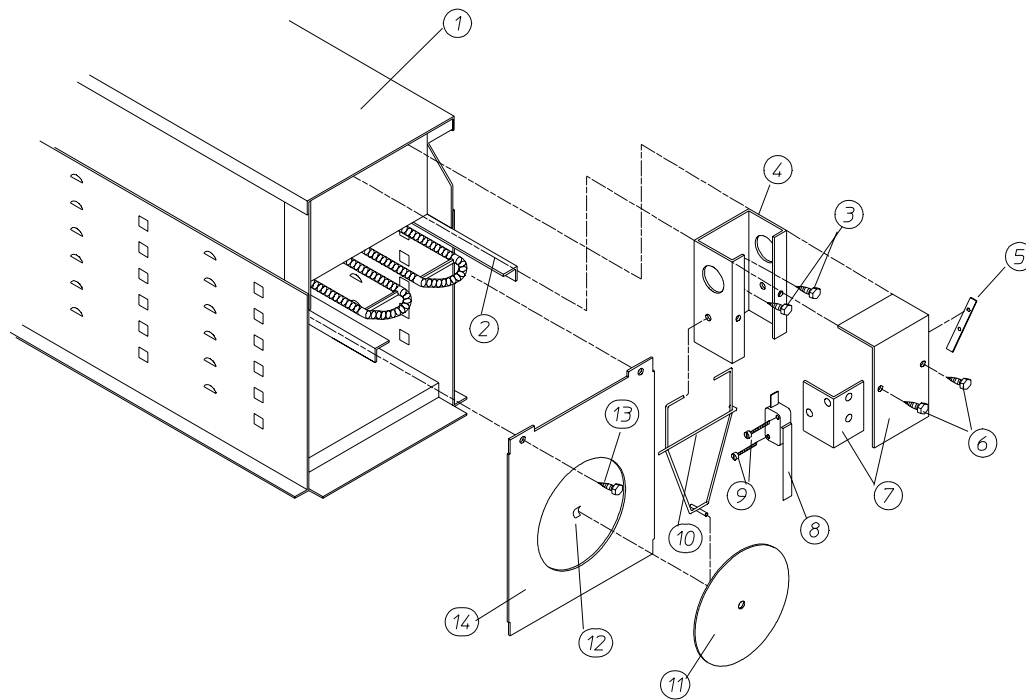
* Consult factory for elevations over 2,000 feet.

** Burner orifices are not included and must be ordered separately.

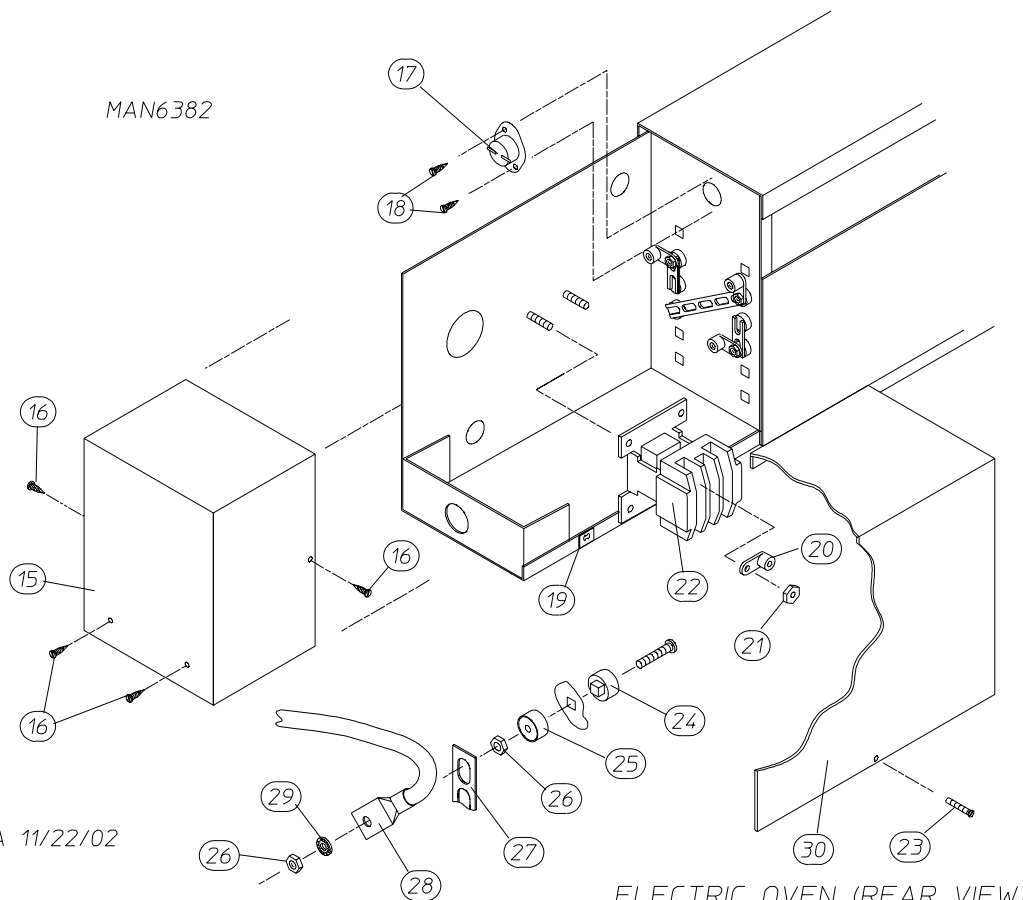
*** Needed when converting from steam heat to gas heat.

**** Contact ADC factory with serial number of dryer and country destination.

Electric Oven Assembly



ELECTRIC OVEN (FRONT VIEW)



ELECTRIC OVEN (REAR VIEW)

MAN6382

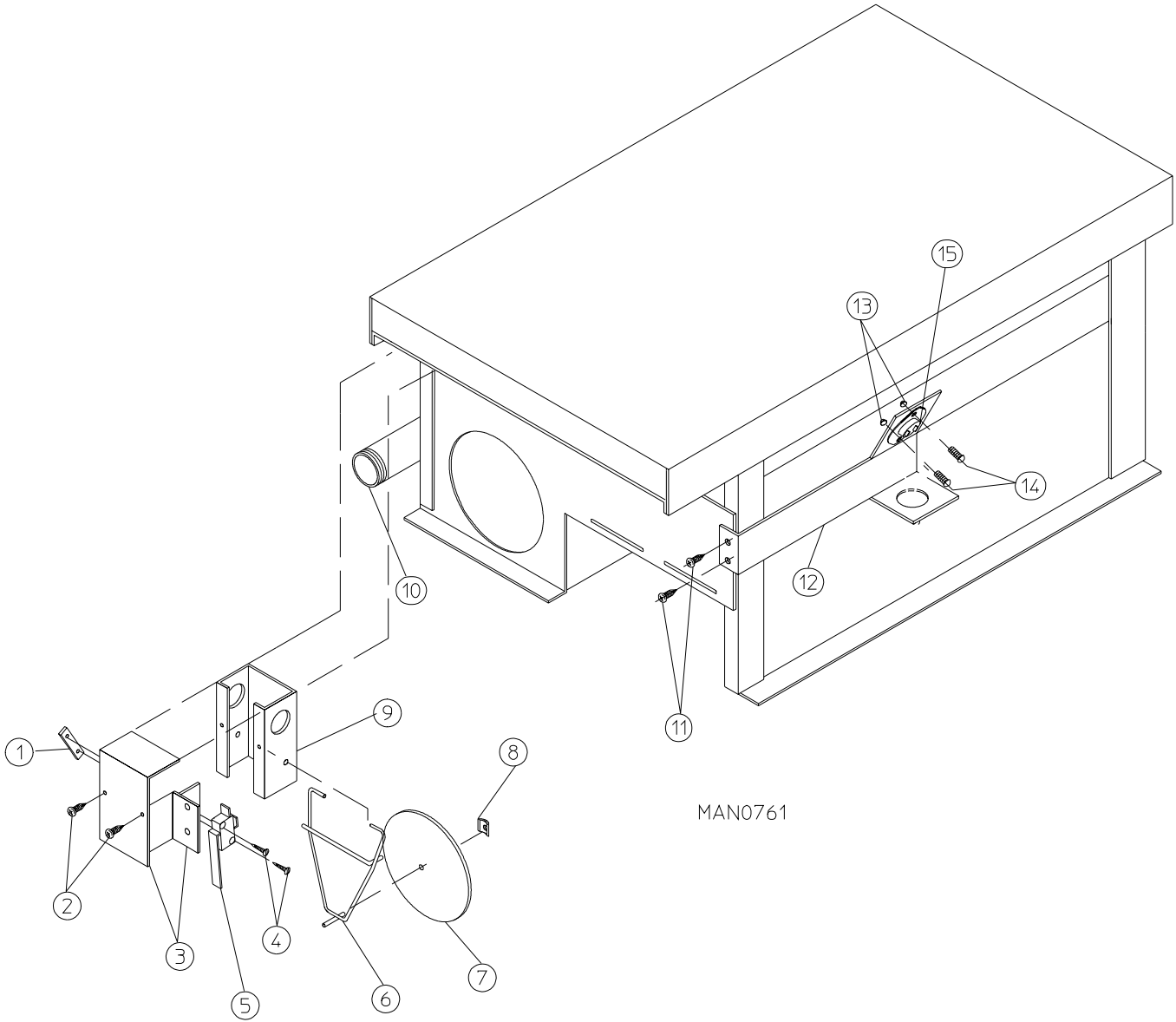
JCARRITA 11/22/02

<u>Illus. No.</u>	<u>Part No.</u>	<u>Qty.</u>	<u>Description</u>
1	803007	1	Large Electric Oven Box ONLY
	————*	1	Electric Oven Assembly Complete
2	————*	—	Electric Element
3	150300	2	#10-16 x 1/2" Hex Washer TEK Screw
4	802800	1	Sail Switch Box with Bracket and Cover ONLY
	802801	1	Sail Switch Box Assembly Complete (includes illus. nos. 4 through 12)
	802804	1	Sail Switch Box Assembly Complete (for dual timer CE models Only) (includes illus. nos. 4 through 12)
5	154004	1	Twin Speed Nut
6	150300	2	#10-16 x 1/2" Hex Washer TEK Screw
7	802799	1	Sail Switch Box Cover and Bracket ONLY
8	122200	1	SPST Sail Switch
	122404	1	SPDT Sail Switch (for dual timer CE models Only)
9	150303	2	#4 x 3/4" Pan Head Machine Screw
10	105500	1	Sail Switch Actuator Rod
11	319202	1	Sail Switch Damper (flat)
12	154002	1	1/8" Push-On Fastener
13	150300	2	#10-16 x 1/2" Hex Washer TEK Screw
14	803100	1	Electric Oven Front Cover
15	320611	1	Large Relay Box Cover
16	150301	2	#8-18 x 7/16" Phillips Pan Head TEK Screw
17	130400	1	290° Hi-Limit Thermostat
18	150300	2	#10-16 x 1/2" Hex Washer TEK Screw
19	154001	2	#10-24 Speed Nut
20	121010	1	L-70 Ground Lug
21	152014	3	1/4-20 Free Spin Wash Nut
22	————*	1	Oven Relay
23	150207	2	#10-24 x 1/2" Phillips Pan Head Machine Screw
24	120081	—	Internal Ceramic Insulator (2 per element)
25	120080	—	External Ceramic Insulator (2 per element)
26	152008	—	#10-32 Hex Nut (4 per element)
27	121011*	—	Bus Bar (sold by the foot)
28	————*	—	Oven Wire
29	153009	—	#10 Star Washer (2 per element)
30	321301	1	Large Electric Oven Right Side Cover
	883310**	1	Steam to Electric Transition Plate ... Not Illustrated

* Refer to Electric Oven Component Application Charts on [page 72 through page 74](#).

** Needed when converting dryer from steam heat to electric heat.

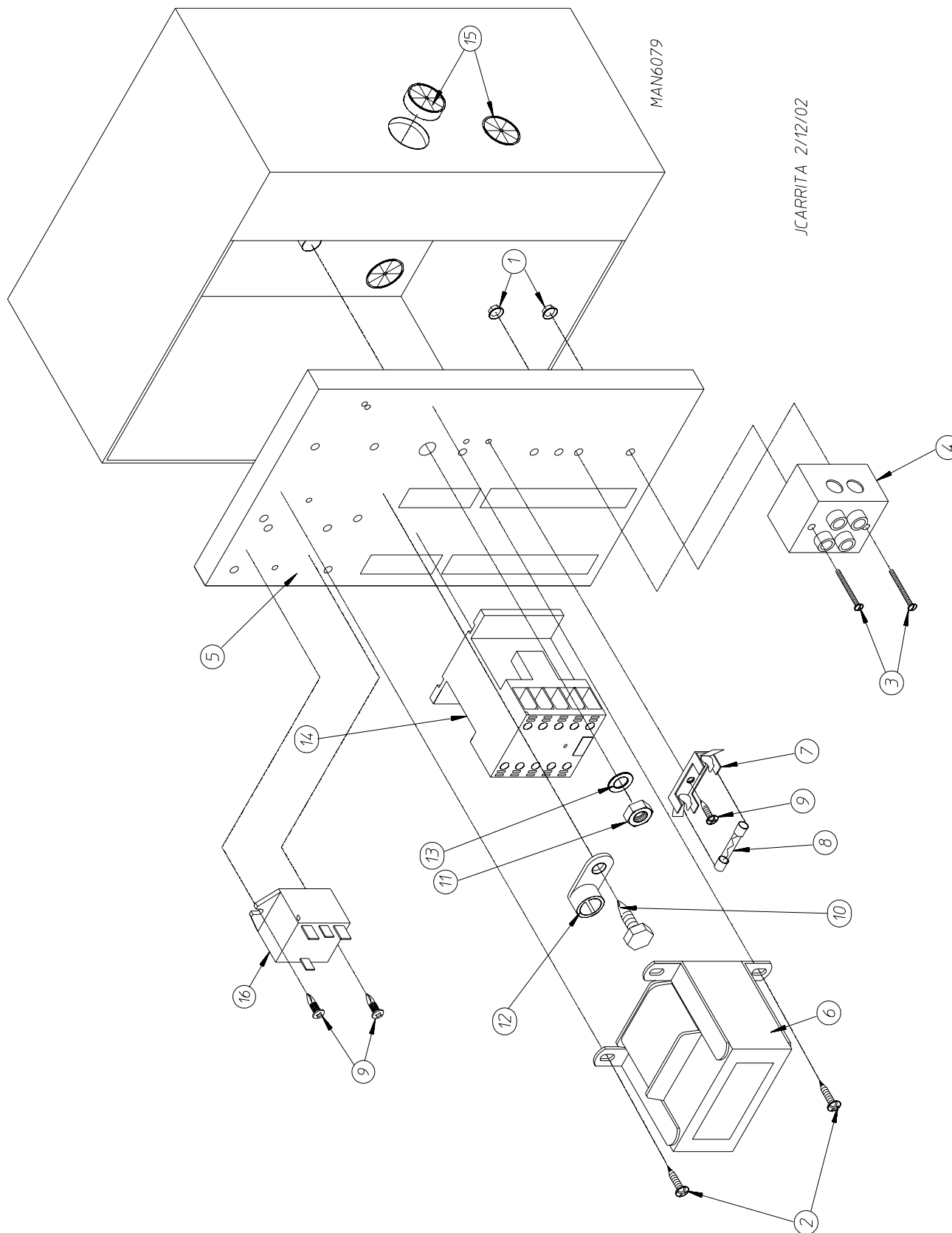
Gas Burner Sail Switch / Hi-Limit Assemblies



Gas Burner Sail Switch / Hi-Limit Assemblies

<u>Illus. No.</u>	<u>Part No.</u>	<u>Qty.</u>	<u>Description</u>
1	154004	1	Twin Speed Nut
2	150300	2	#10-16 x 1/2" Hex Washer TEK Screw
3	802799	1	Sail Switch Box Cover and Bracket ONLY
4	150303	2	#4 x 3/4" Pan Head Machine Screw
5	122200	1	SPST Sail Switch
	122404	1	SPDT Sail Switch (for dual timer CE models Only)
6	105500	1	Sail Switch Actuator Rod
7	319202	1	Sail Switch Damper (flat)
8	154002	1	1/8" Push-On Fastener
9	802800	1	Sail Switch Box with Cover and Bracket ONLY
	802801	1	Sail Switch Assembly Complete (includes illus. nos. 1 through 9)
	802804	1	Sail Switch Assembly Complete (for dual timer CE models Only) (includes illus. nos. 1 through 9)
10	————	1	1/2" Pipe (refer to Burner Assembly on <u>page 38 through page 45</u>)
11	150300	2	#10-16 x 1/2" Hex Washer TEK Screw
12	319704	1	Hi-Limit Mounting Bracket
13	151000	2	#6-32 Pal Nut
14	150001	2	#6-32 x 1/2" Phillips Round Head Machine Screw
15	130201	1	330° Hi-Limit Thermostat

Phase 7 OPL Single-Phase (1Ø) Rear Relay Panel Assembly

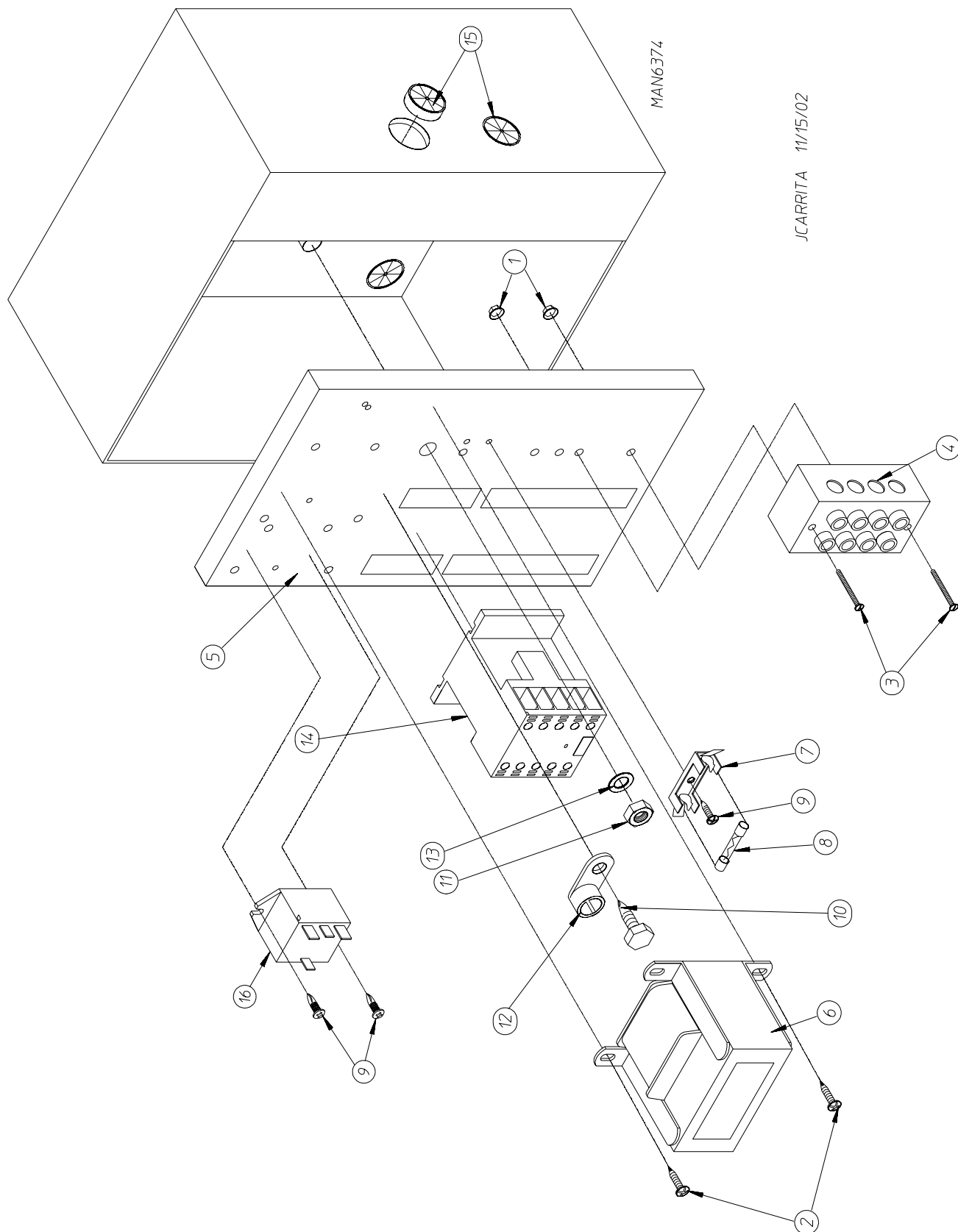


Phase 7 OPL Single-Phase (1 ϕ) Rear Relay Panel Assembly

<u>Illus. No.</u>	<u>Part No.</u>	<u>Qty.</u>	<u>Description</u>
1	151000	2	#6-32 Pal Nut
2	150300	2	#10-16 x 1/2" Hex Washer TEK Screw
3	150008	2	#6-32 x 1-1/4" Phillips Pan Head Machine Screw
4	120716	1	2-Position Terminal Block
5	322812	1	Rear Electric Mounting Plate ONLY
	822796	1	Rear Electric Panel Assembly Complete – 115 Volt (for gas models Only) (includes illus. nos. 1 through 14)
	830153	1	Rear Electric Panel Assembly Complete – 115 Volt (for steam models Only) (includes illus. nos. 1 through 14)
	822798	1	Rear Electric Panel Assembly Complete – 208-240 Volt (for gas models Only) (includes illus. nos. 1 through 14)
	830273	1	Rear Electric Panel Assembly Complete – 208-240 Volt (for steam models Only) (includes illus. nos. 1 through 14)
	830131	1	Rear Electric Panel Assembly Complete – 208-240 Volt (for electric models Only) (includes illus. nos. 1 through 14 and 16)
	830426	1	Rear Electric Panel Assembly Complete – 380-416 Volt (for electric models with 1 ϕ motors Only) (includes illus. nos. 1 through 14 and 16)
6	830151	1	Transformer Assembly – 115 Volt
	822799	1	Transformer Assembly – 208-240 Volt (for gas and steam models Only)
	822792	1	Transformer Assembly – 208-240 Volt (for electric models Only)
	830141	1	Transformer Assembly – 380-416 Volt
7	136008	*	Fuse Holder
8	136057	*	1/2-Amp (Slo-Blo) Fuse (for 208-416 volt models Only)
	136049	*	3/4-Amp (Slo-Blo) Fuse (for 115 volt models Only)
9	150301	4	#8-18 x 7/16" Phillips Pan Head TEK Screw
10	150297	1	#10 x 1/2" Green Hex Washer TEK Screw
11	152004	1	5/16-18 Hex Nut
12	121010	1	L-70 Ground Lug
13	153002	1	5/16" Lock Washer
14	132495	1	3-Pole Contactor
15	121300	3	Open / Closed Bushing
16	131932	1	24V SPST Relay (for electric models Only)

* Quantity is 1 for 115v and 380-416v. Quantity is 2 for 208-240v.

Phase 7 OPL 208-416V 3-Phase (3Ø) Rear Relay Panel Assembly

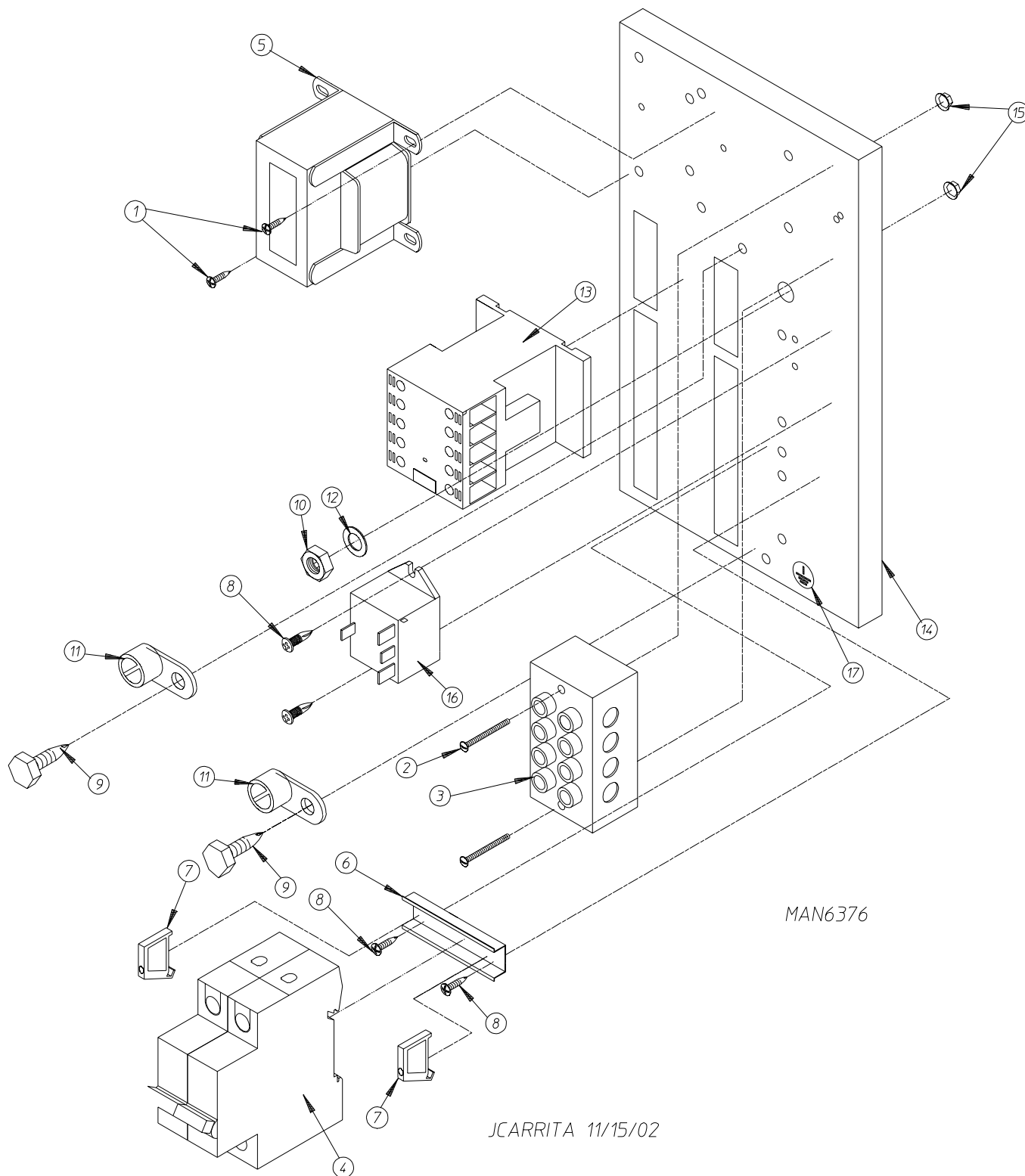


Phase 7 OPL 208-416V 3-Phase (3Ø) Rear Relay Panel Assembly

<u>Illus. No.</u>	<u>Part No.</u>	<u>Qty.</u>	<u>Description</u>
1	151000	2	#6-32 Pal Nut
2	150300	2	#10-16 x 1/2" Hex Washer TEK Screw
3	150008	2	#6-32 x 1-1/4" Phillips Pan Head Machine Screw
4	120701	1	4-Position Terminal Block
5	322812	1	Rear Electric Mounting Plate ONLY
	830154	1	Rear Electric Panel Assembly Complete – 208-240 Volt (for gas models Only) (includes illus. nos. 1 through 14)
	830322	1	Rear Electric Panel Assembly Complete – 208-240 Volt (for steam models Only) (includes illus. nos. 1 through 14)
	830157	1	Rear Electric Panel Assembly Complete – 208-240 Volt (for electric models Only) (includes illus. nos. 1 through 14 and 16)
	————*	1	Rear Electric Panel Assembly Complete – 380-416 Volt (for gas models Only) (includes illus. nos. 1 through 14)
	803834	1	Rear Electric Panel Assembly Complete – 380-416 Volt (for steam models Only) (includes illus. nos. 1 through 14)
	830140	1	Rear Electric Panel Assembly Complete – 380-416 Volt (for electric models with 3Ø motors Only) (includes illus. nos. 1 through 14 and 16)
6	822799	1	Transformer Assembly – 208-240 Volt (for gas and steam models Only)
	822792	1	Transformer Assembly – 208-240 Volt (for electric models Only)
	822784	1	Transformer Assembly – 380-416 Volt (for gas and steam models Only)
	830141	1	Transformer Assembly – 380-416 Volt (for electric models Only)
7	136008	1 or 2	Fuse Holder
8	136057	1 or 2	1/2-Amp (Slo-Blo) Fuse
9	150301	2 or 4	#8-18 x 7/16" Phillips Pan Head TEK Screw
10	150297	1	#10 x 1/2" Green Hex Washer TEK Screw
11	152004	1	5/16-18 Hex Nut
12	121010	1	L-70 Ground Lug
13	153002	1	5/16" Lock Washer
14	132495	1	3-Pole Contactor
15	121300	3	Open / Closed Bushing
16	131932	1	24V SPST Relay (for electric models Only)

* Not available at time of printing.

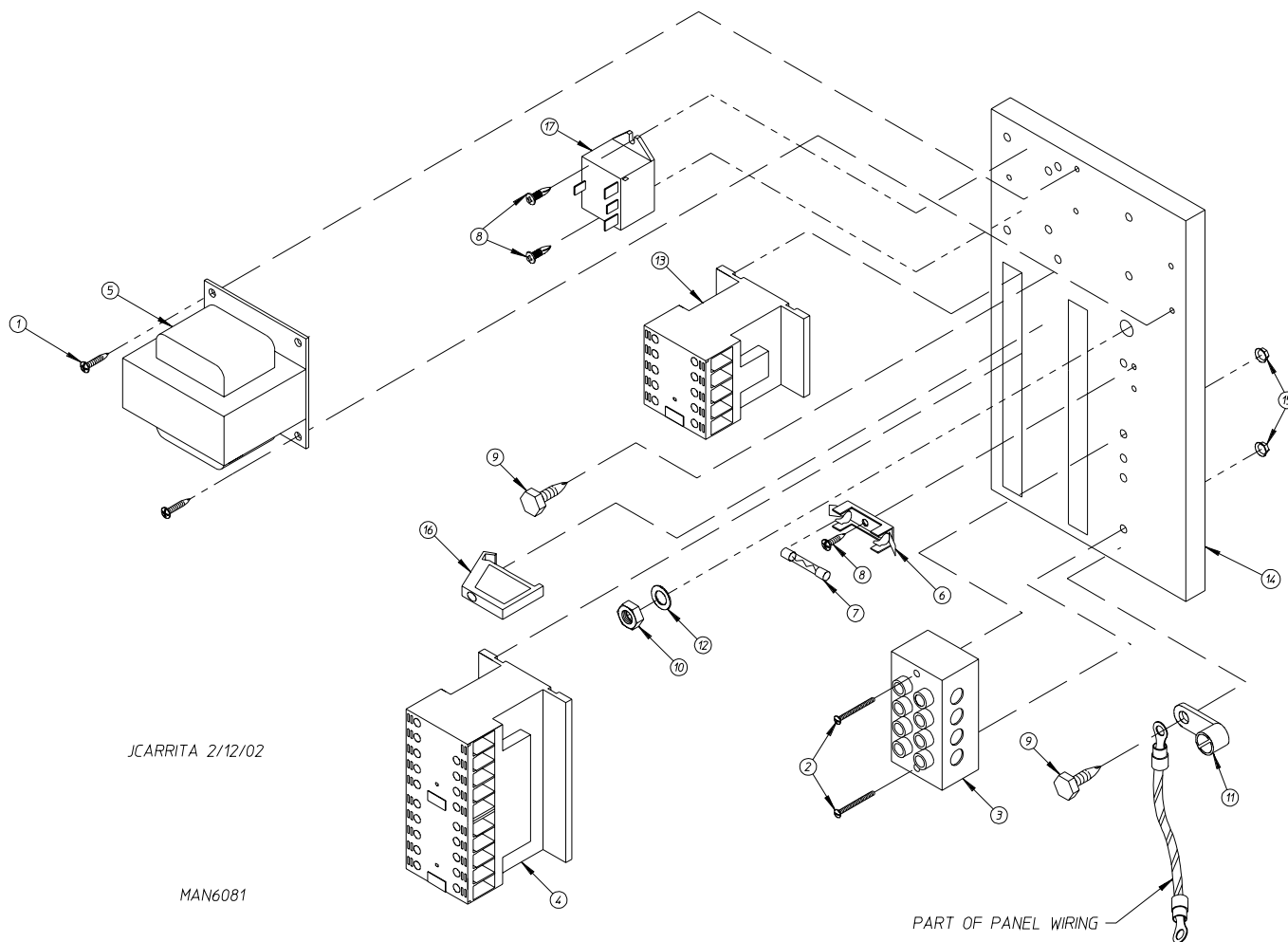
Phase 7 OPL 460-480V Rear Relay Panel Assembly



Phase 7 OPL 460-480V Rear Relay Panel Assembly

<u>Illus. No.</u>	<u>Part No.</u>	<u>Qty.</u>	<u>Description</u>
1	150300	2	#10-16 x 1/2" Hex Washer TEK Screw
2	150008	2	#6-32 x 1-1/4" Phillips Pan Head Machine Screw
3	120701	1	4-Position Terminal Block
4	135501	1	2-Pole 1-Amp Circuit Breaker
5	824221	1	Transformer Assembly – 460-480 Volt
6	120768	2	35 x 15mm Din Rail
7	120765	2	Standard End Bracket
8	150301	4	#8-18 x 7/16" Phillips Pan Head TEK Screw
9	150297	2	#10 x 1/2" Green Hex Washer TEK Screw
10	152004	1	5/16-18 Hex Nut
11	121010	2	L-70 Ground Lug
12	153002	1	5/16" Lock Washer
13	132495	1	3-Pole Contactor
14	322812	1	Rear Electric Mounting Plate ONLY
	830263	1	Rear Electric Panel Assembly Complete – 460-480 Volt (for gas models Only) (includes illus. nos. 1 through 15 and 17)
	830137	1	Rear Electric Panel Assembly Complete – 460-480 Volt (for steam models Only) (includes illus. nos. 1 through 15 and 17)
	830199	1	Rear Electric Panel Assembly Complete – 460-480 Volt (for electric models Only) (includes illus. nos. 1 through 17)
15	151000	2	#6-32 Pal Nut
16	131932	1	24V SPST Relay (for electric models Only)
17	112075	1	Ground Label

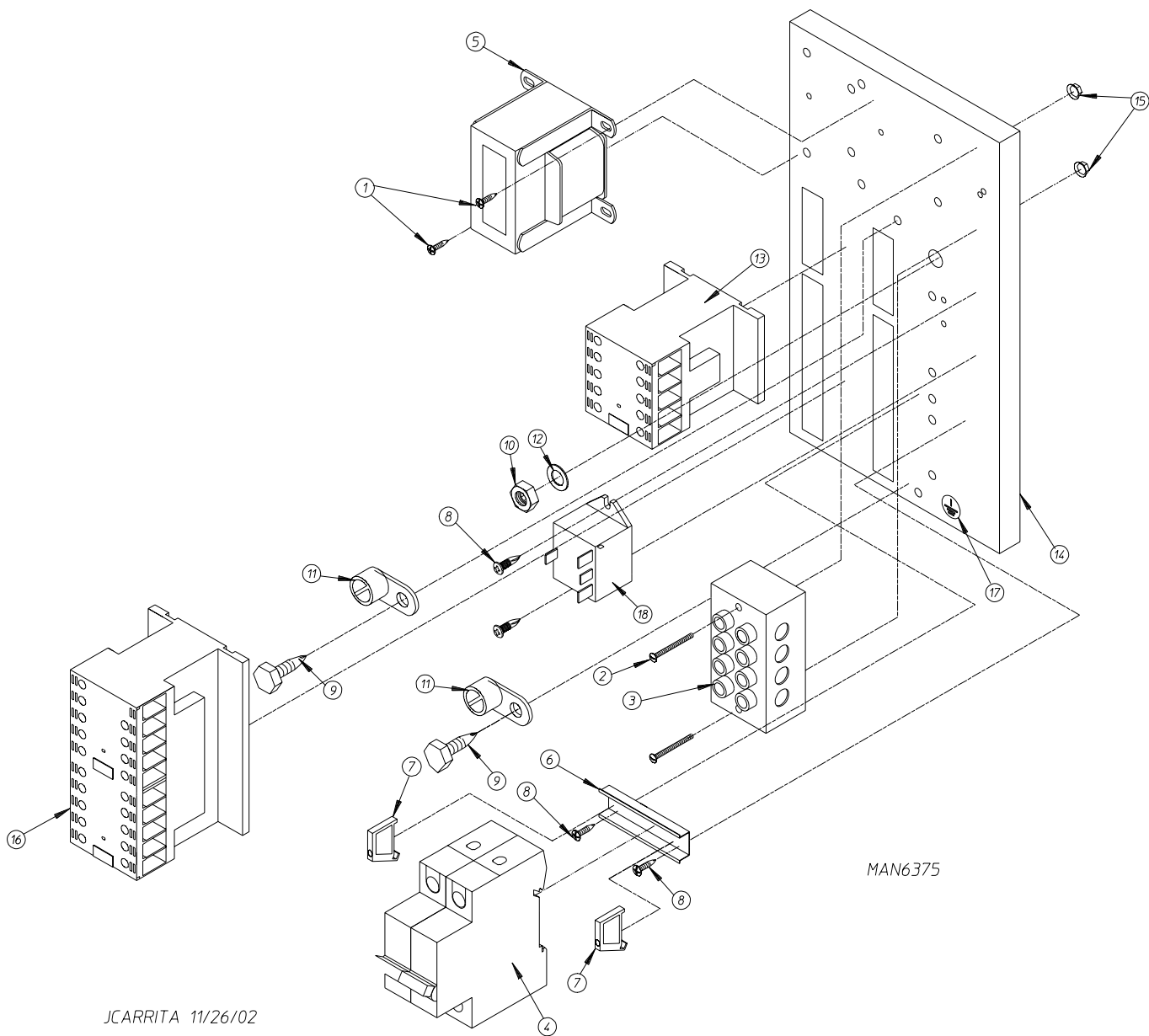
Phase 7 OPL 208-416V Reversing Rear Relay Panel Assembly



Phase 7 OPL 208-416V Reversing Rear Relay Panel Assembly

<u>Illus. No.</u>	<u>Part No.</u>	<u>Qty.</u>	<u>Description</u>
1	150300	2	#10-16 x 1/2" Hex Washer TEK Screw
2	150008	2	#6-32 x 1-1/4" Phillips Pan Head Machine Screw
3	120701	1	4-Position Terminal Block
4	132497	1	3-Pole Reversing Contactor
5	822799	1	Transformer Assembly – 208-240 Volt (for gas and steam models Only)
	822792	1	Transformer Assembly – 208-240 Volt (for electric models Only)
	822784	1	Transformer Assembly – 380-416 Volt
6	136008	1 or 2	Fuse Holder
7	136057	1 or 2	1/2-Amp (Slo-Blo) Fuse
8	150301	2 or 4	#8-18 x 7/16" Phillips Pan Head TEK Screw
9	150297	2	#10 x 1/2" Green Hex Washer TEK Screw
10	152004	1	5/16-18 Hex Nut
11	121010	2	L-70 Ground Lug
12	153002	1	5/16" Lock Washer
13	132495	1	3-Pole Contactor
14	322812	1	Rear Electric Mounting Plate ONLY
	822771	1	Rear Electric Panel Assembly Complete – 208-240 Volt (for gas models Only) (includes illus. nos. 1 through 16)
	830167	1	Rear Electric Panel Assembly Complete – 208-240 Volt (for steam models Only) (includes illus. nos. 1 through 16)
	822789	1	Rear Electric Panel Assembly Complete – 208-240 Volt (for electric models Only) (includes illus. nos. 1 through 17)
	822783	1	Rear Electric Panel Assembly Complete – 380-416 Volt (for gas models Only) (includes illus. nos. 1 through 16)
	830117	1	Rear Electric Panel Assembly Complete – 380-416 Volt (for steam models Only) (includes illus. nos. 1 through 16)
	818397	1	Rear Electric Panel Assembly Complete – 380-416 Volt (for electric models Only) (includes illus. nos. 1 through 17)
15	151000	2	#6-32 Pal Nut
16	120765	1	Standard End Bracket
17	131932	1	24V SPST Relay (for electric models Only)

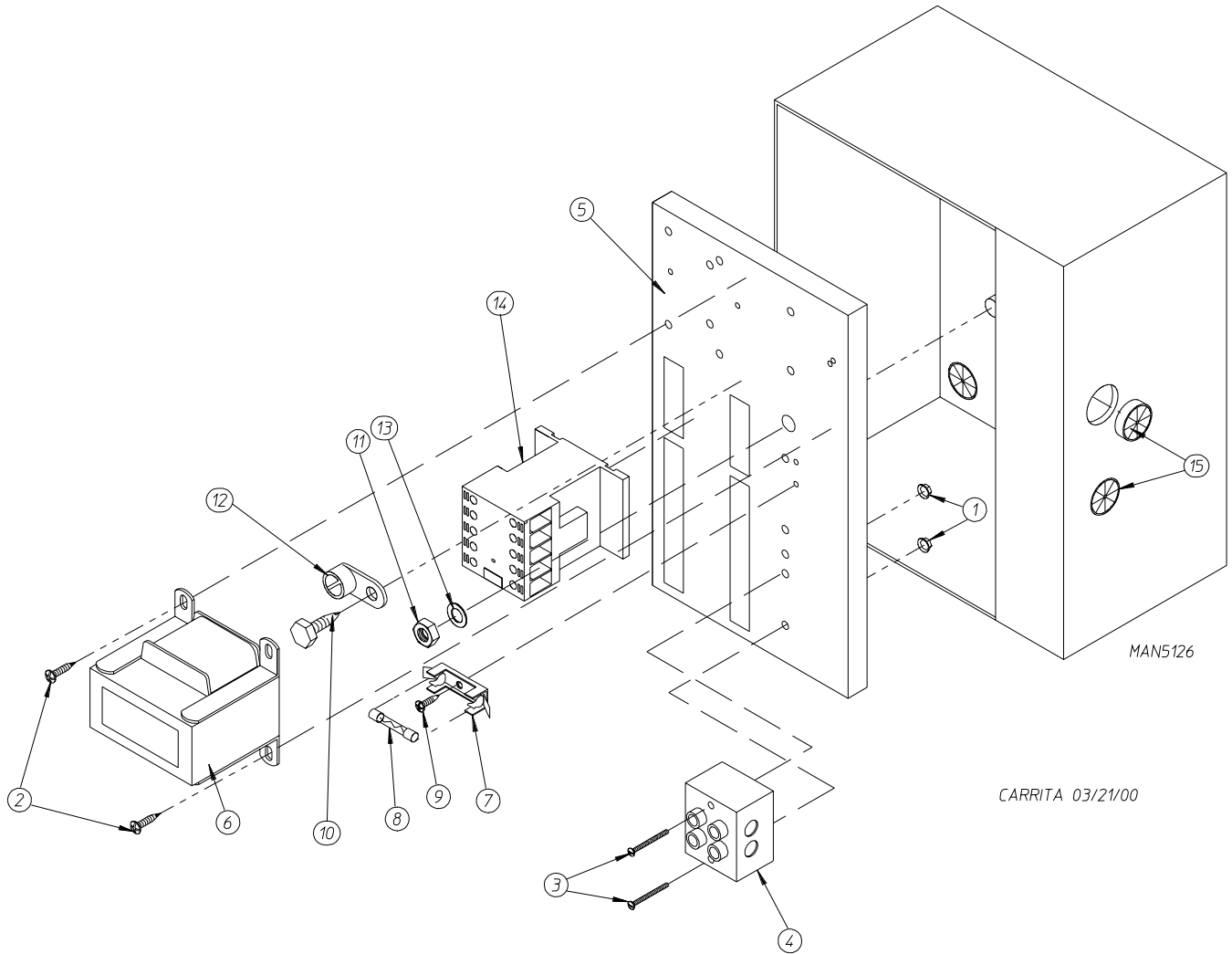
Phase 7 OPL 460-480V Reversing Rear Relay Panel Assembly



Phase 7 OPL 460-480V Reversing Rear Relay Panel Assembly

<u>Illus. No.</u>	<u>Part No.</u>	<u>Qty.</u>	<u>Description</u>
1	150300	2	#10-16 x 1/2" Hex Washer TEK Screw
2	150008	2	#6-32 x 1-1/4" Phillips Pan Head Machine Screw
3	120701	1	4-Position Terminal Block
4	135501	1	2-Pole 1-Amp Circuit Breaker
5	824221	1	Transformer Assembly – 460-480 Volt
6	120768	2	35 x 15mm Din Rail
7	120765	2	Standard End Bracket
8	150301	4	#8-18 x 7/16" Phillips Pan Head TEK Screw
9	150297	2	#10 x 1/2" Green Hex Washer TEK Screw
10	152004	1	5/16-18 Hex Nut
11	121010	2	L-70 Ground Lug
12	153002	1	5/16" Lock Washer
13	132495	1	3-Pole Contactor
14	322812	1	Rear Electric Mounting Plate ONLY
	830147	1	Rear Electric Panel Assembly Complete – 460-480 Volt (for gas models Only) (includes illus. nos. 1 through 17)
	830103	1	Rear Electric Panel Assembly Complete – 460-480 Volt (for steam models Only) (includes illus. nos. 1 through 17)
	824371	1	Rear Electric Panel Assembly Complete – 460-480 Volt (for electric models Only) (includes illus. nos. 1 through 18)
15	151000	2	#6-32 Pal Nut
16	132497	1	3-Pole Reversing Contactor
17	112075	1	Ground Label
18	131932	1	24V SPST Relay (for electric models Only)

Dual Timer Single-Phase (1 ϕ) Relay Panel Assembly

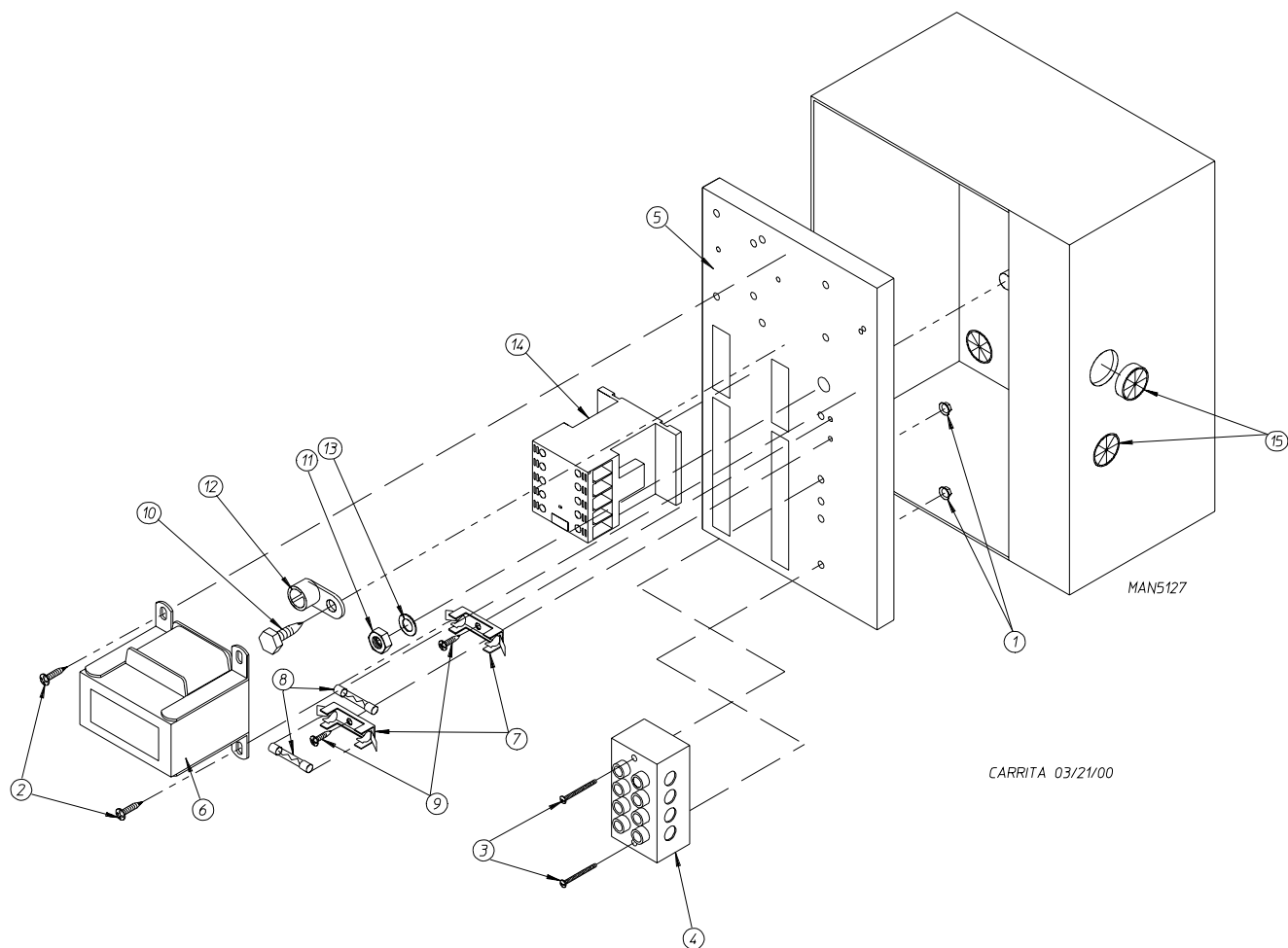


Dual Timer Single-Phase (1 \emptyset) Relay Panel Assembly

<u>Illus. No.</u>	<u>Part No.</u>	<u>Qty.</u>	<u>Description</u>
1	151000	2	#6-32 Pal Nut
2	150300	2	#10-16 x 1/2" Hex Washer TEK Screw
3	150008	2	#6-32 x 1-1/4" Phillips Pan Head Machine Screw
4	120716	1	2-Position Terminal Block
5	322817	1	Rear Electric Mounting Plate ONLY
	882662	1	Rear Electric Panel Assembly Complete – 120 Volt (includes illus. nos. 1 through 14)
	882663	1	Rear Electric Panel Assembly Complete – 208-240 Volt (for gas and steam models Only) (includes illus. nos. 1 through 14)
	818395	1	Rear Electric Panel Assembly Complete – 208-240 Volt (for electric models mfd. with single-phase [1 \emptyset] motor Only) (includes illus. nos. 1 through 14)
	882667	1	Rear Electric Panel Assembly Complete – 380-416 Volt (for electric models mfd. with single-phase [1 \emptyset] motor Only) (includes illus. nos. 1 through 14)
6	882652	1	Transformer Assembly – 120 Volt
	882653	1	Transformer Assembly – 208-240 Volt (for gas and steam models Only)
	818396	1	Transformer Assembly – 208-240 Volt (for electric models Only)
	882654	1	Transformer Assembly – 380-416 Volt
7	136008	*	Fuse Holder
8	136049	*	3/4-Amp (Slo-Blo) Fuse – 120 Volt
	136057	*	1/2-Amp (Slo-Blo) Fuse – 208-416 Volt
9	150301	*	#8-18 x 7/16" Phillips Pan Head TEK Screw
10	150297	1	#10 x 1/2" Green Hex Washer TEK Screw
11	152004	1	5/16-18 Hex Nut
12	121010	1	L-70 Ground Lug
13	153002	1	5/16" Lock Washer
14	132459	1	3-Pole Contactor
15	121300	3	Open / Closed Bushing

* Quantity is 1 for 115v and 380-416v. Quantity is 2 for 208-240v.

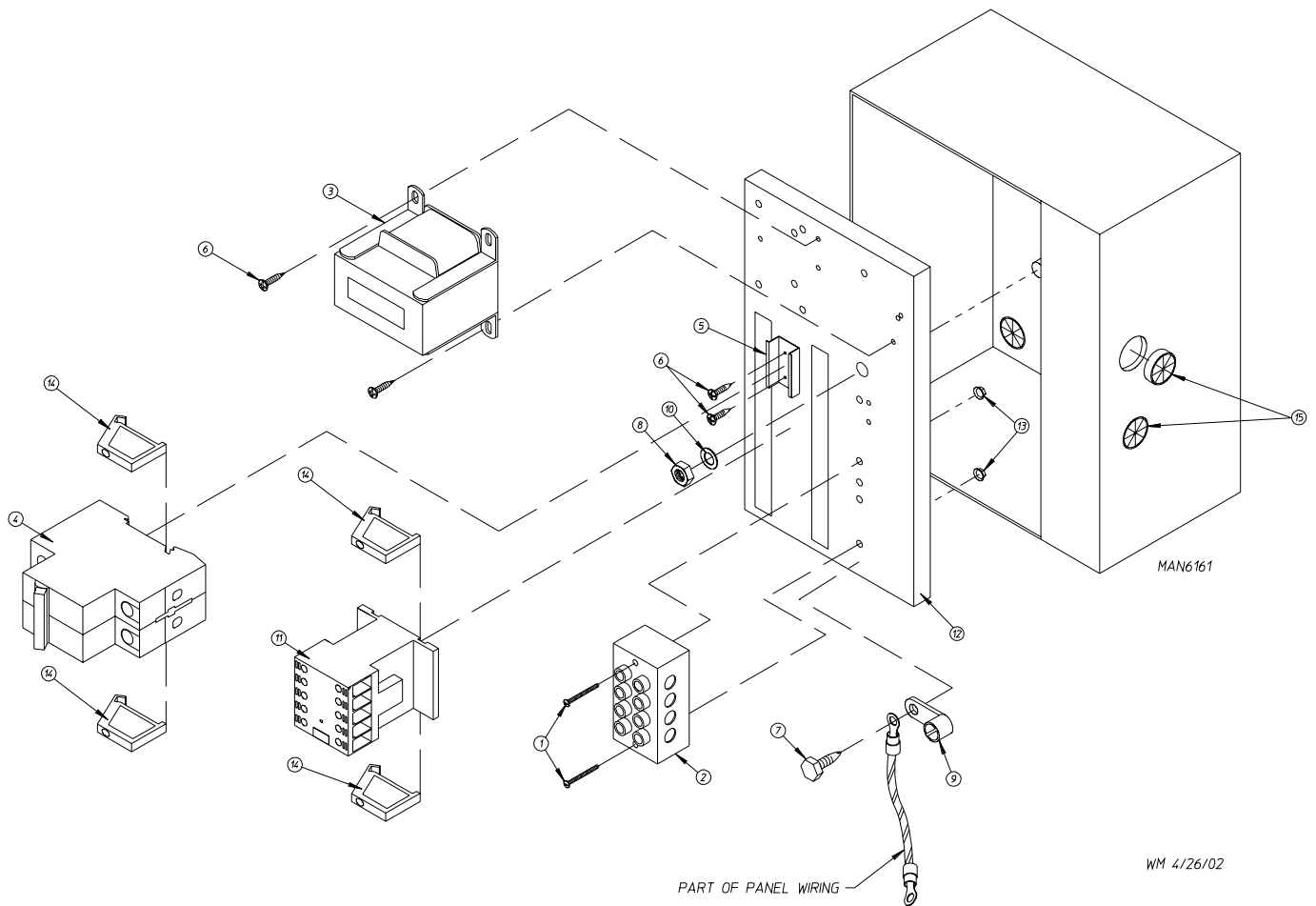
Dual Timer 208-416V 3-Phase (3Ø) Relay Panel Assembly



Illus. No.	Part No.	Qty.	Description
1	151000	2	#6-32 Pal Nut
2	150300	2	#10-16 x 1/2" Hex Washer TEK Screw
3	150008	2	#6-32 x 1-1/4" Phillips Pan Head Machine Screw
4	120701	1	4-Position Terminal Block (for models mfd. with 3-phase [3Ø] motors)
5	322817	1	Rear Electric Mounting Plate ONLY
	882664	1	Rear Electric Panel Assembly Complete – 208-240 Volt (for gas and steam models Only) (includes illus. nos. 1 through 14)
	818400	1	Rear Electric Panel Assembly – 208-240 Volt (for electric models Only) (includes illus. nos. 1 through 14)
	882665	1	Rear Electric Panel Assembly Complete – 380-416 Volt (for gas and steam models Only) (includes illus. nos. 1 through 14)
6	882653	1	Transformer Assembly – 208-240 Volt (for gas and steam models Only)
	818396	1	Transformer Assembly – 208-240 Volt (for electric models Only)
	882654	1	Transformer Assembly – 380-416 Volt
7	136008	*	Fuse Holder
8	136057	*	1/2-Amp (Slo-Blo) Fuse
9	150301	*	#8-18 x 7/16" Phillips Pan Head TEK Screw
10	150297	1	#10 x 1/2" Green Hex Washer TEK Screw
11	152004	1	5/16-18 Hex Nut
12	121010	1	L-70 Ground Lug
13	153002	1	5/16" Lock Washer
14	132459	1	3-Pole Contactor
15	121300	3	Open / Closed Bushing

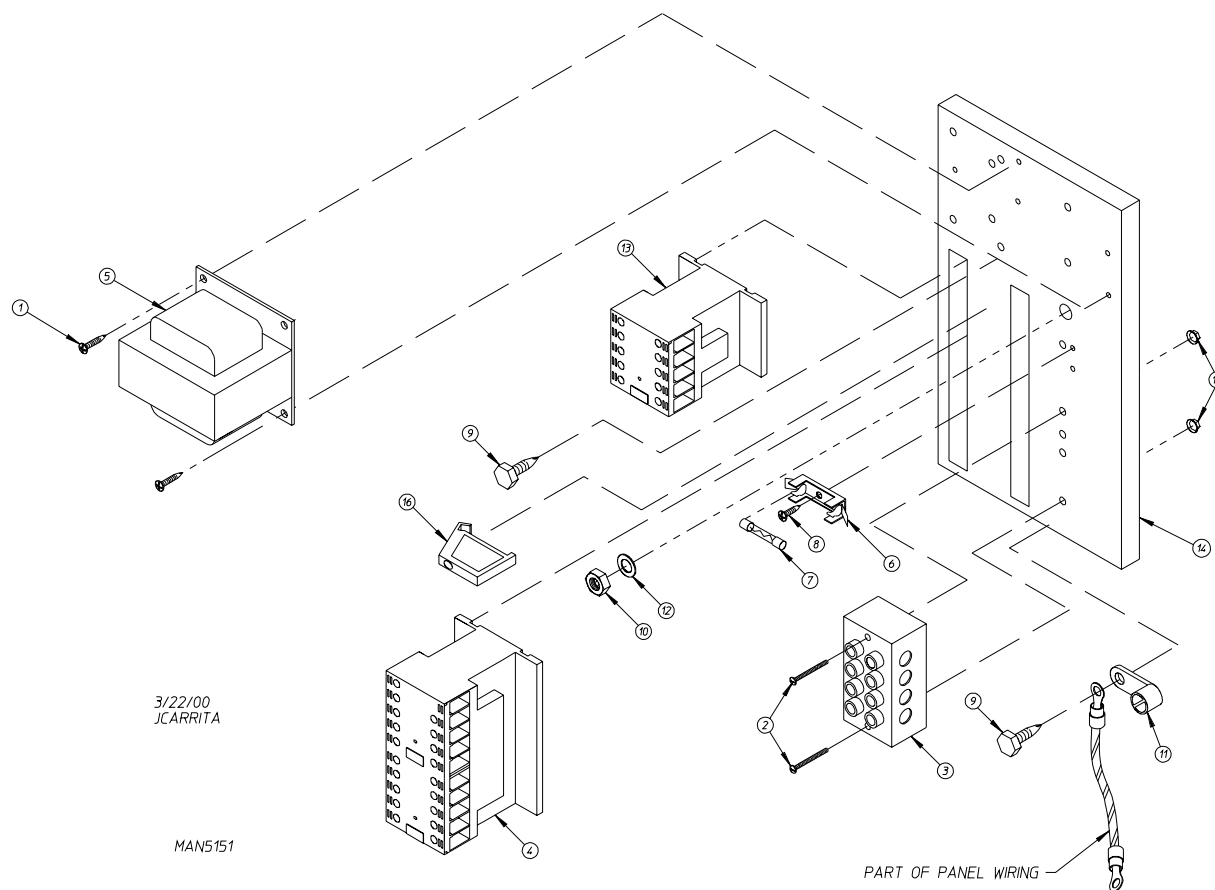
* Quantity is 1 for 380-416v and 2 for 208-240v.

Dual Timer 460-480V Electric Relay Panel Assembly



Illus. No.	Part No.	Qty.	Description
1	150009	2	#6-32 x 1-1/2" Phillips Pan Head Machine Screw
2	120701	1	4-Position Terminal Block
3	824161	1	Transformer Assembly
4	135501	1	2-Pole 1-Amp Circuit Breaker
5	120768	2	35 x 15mm Din Rail
6	150301	4	#8-18 x 7/16" Phillips Pan Head TEK Screw
7	150297	1	#10 x 1/2" Green Hex Washer TEK Screw
8	152004	1	5/16-18 Hex Nut
9	121010	1	L-70 Ground Lug
10	153002	1	5/16" Lock Washer
11	132459	1	24 VAC 3-Pole Contactor
12	322817	1	Mounting Plate ONLY
	830262	1	Rear Panel Assembly Complete (includes illus. nos. 1 through 14)
13	151000	2	#6-32 Pal Nut
14	120765	4	End Stop
15	121300	3	Open / Closed Bushing

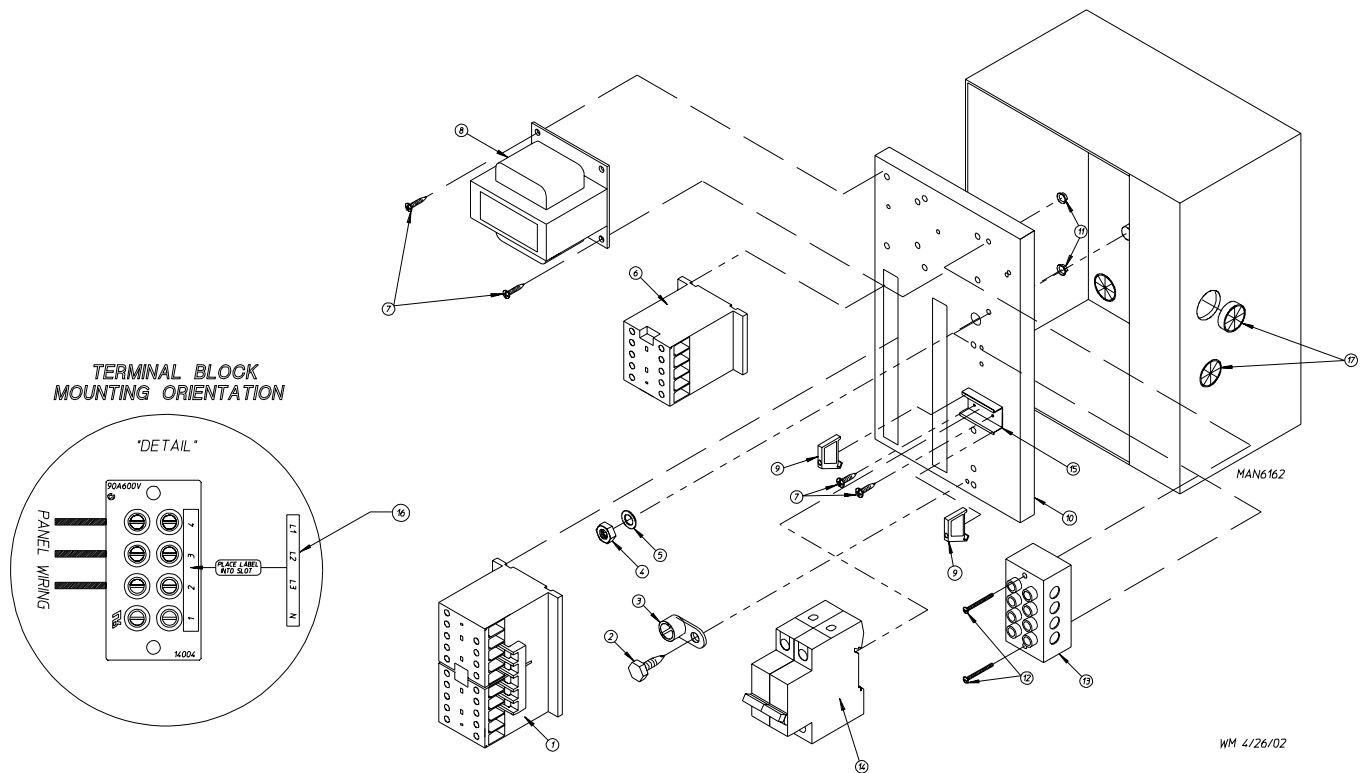
Dual Timer 208-416V Reversing Relay Panel Assembly



Illus. No.	Part No.	Qty.	Description
1	150300	2	#10-16 x 1/2" Hex Washer TEK Screw
2	150008	2	#6-32 x 1-1/4" Phillips Pan Head Machine Screw
3	120701	1	4-Position Terminal Block
4	132458	1	3-Pole Reversing Contactor
5	882653	1	Transformer Assembly – 208-240 Volt (for gas and steam models Only)
	825428	1	Transformer Assembly – 208-240 Volt (for electric models Only)
	882654	1	Transformer Assembly – 380-416 Volt
6	136008	*	Fuse Holder
7	136057	*	1/2-Amp (Slo-Blo) Fuse
8	150301	*	#8-18 x 7/16" Phillips Pan Head TEK Screw
9	150297	2	#10 x 1/2" Green Hex Washer TEK Screw
10	152004	1	5/16-18 Hex Nut
11	121010	1	L-70 Ground Lug
12	153002	1	5/16" Lock Washer
13	132459	1	3-Pole Contactor
14	322812	1	Rear Electric Mounting Plate ONLY
	882673	1	Rear Electric Panel Assembly Complete – 208-240 Volt (for gas and steam models Only) (includes illus. nos. 1 through 16)
	883335	1	Rear Electric Panel Assembly Complete – 208-240 Volt (for electric models Only) (includes illus. nos. 1 through 16)
	882676	1	Rear Electric Panel Assembly Complete – 380-416 Volt (includes illus. nos. 1 through 16)
15	151000	2	#6-32 Pal Nut
16	120765	1	Standard End Bracket

* Quantity is 2 for 208-240v and 1 for 380-416v.

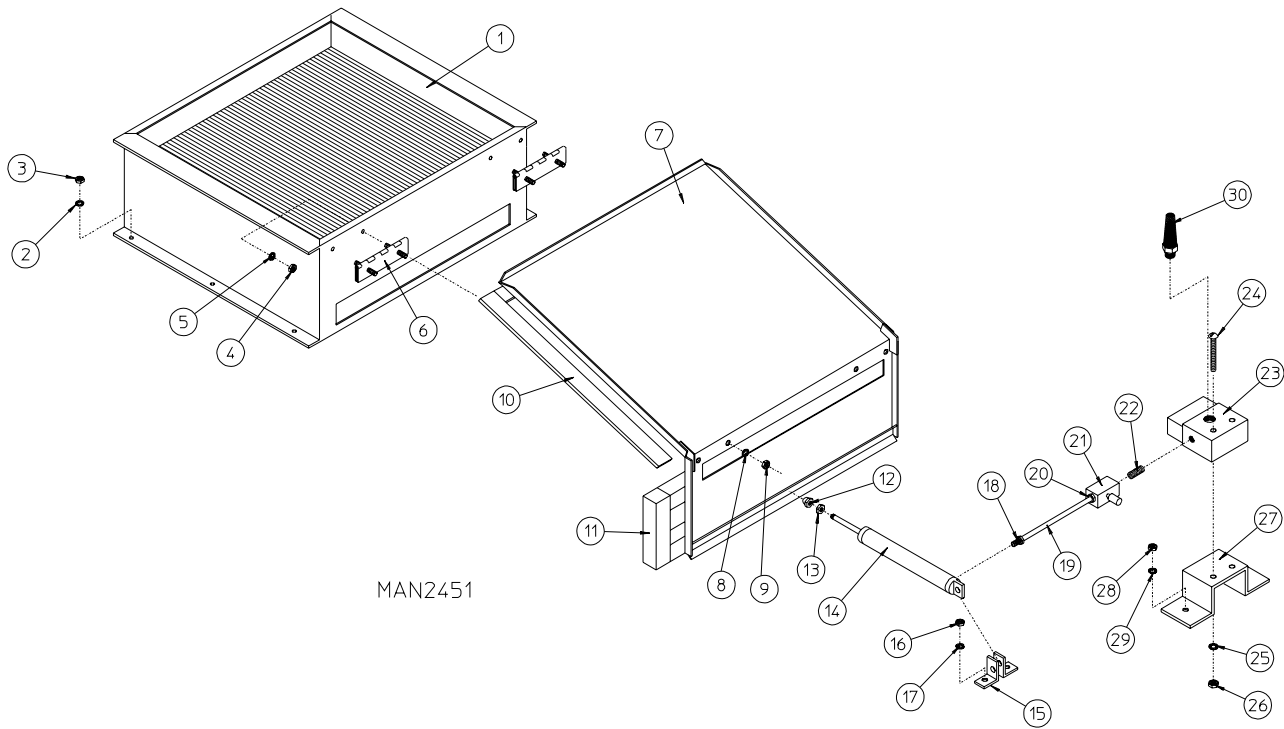
Dual Timer 460-480V Reversing Relay Panel Assembly



WM 4/26/02

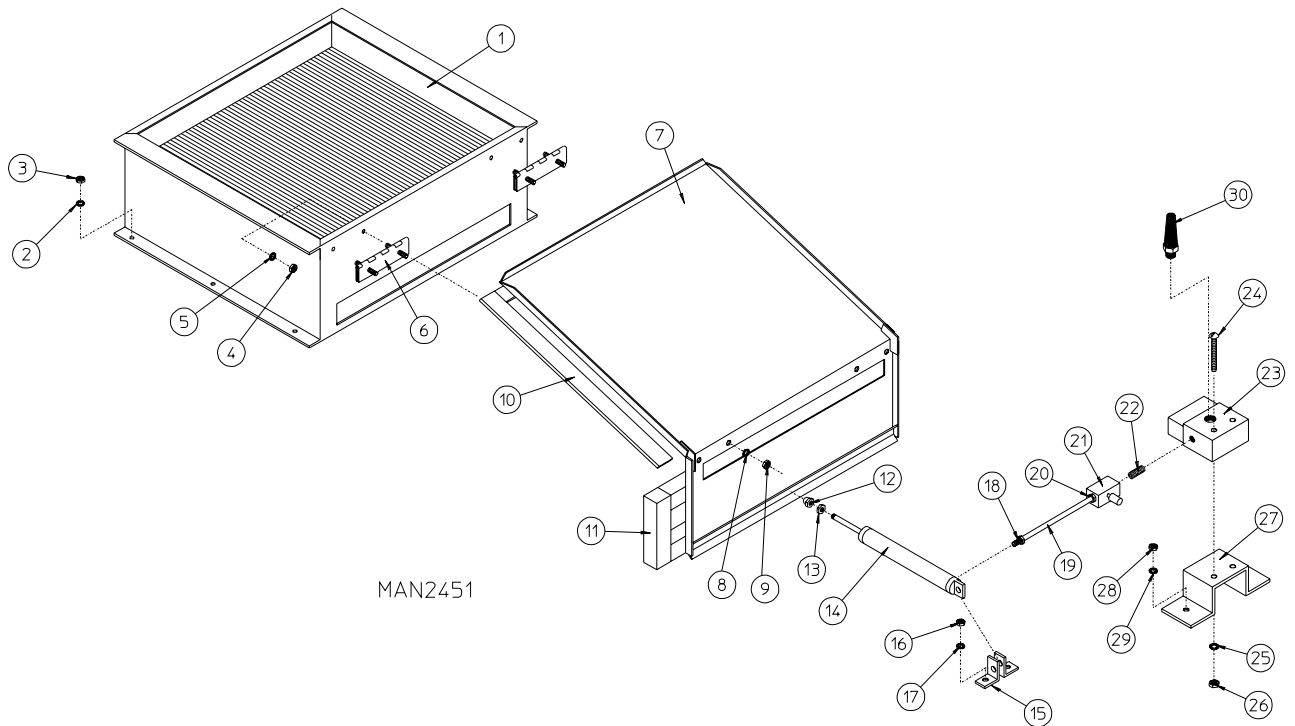
<u>Illus. No.</u>	<u>Part No.</u>	<u>Qty.</u>	<u>Description</u>
1	132458	1	24 VAC Reversing Contactor
2	150297	1	#10 x 1/2" Green Hex Washer TEK Screw
3	121010	1	L-70 Ground Lug
4	152004	1	5/16-18 Hex Nut
5	153002	1	5/16" Lock Washer
6	132459	1	24 VAC 3-Pole Blower Contactor
7	150301	4	#8-18 x 7/16" Phillips Pan Head TEK Screw
8	824161	1	Transformer Assembly
9	120765	2	Standard End Bracket
10	322817	1	Mounting Plate ONLY
	824412	1	Rear Electric Panel Assembly Complete (includes illus. nos. 1 through 16)
11	151000	2	#6-32 Pal Nut
12	150009	2	#6-32 x 1-1/2" Phillips Pan Head Machine Screw
13	120701	1	4-Position Terminal Block
14	135501	1	2-Pole 1-Amp Circuit Breaker
15	120768	2	35 x 15mm Din Rail (sold by the inch)
16	112068	1	3-Phase (3Ø) Power Input Label
17	121300	3	Open / Closed Bushing

AD-30V Steam Coil / Air-Operated Steam Damper Assembly



Illus. No.	Part No.	Qty.	Description
1	165008	1	Steam Coil
2	153002	6	5/16" Lock Washer
3	152004	6	5/16-18 Hex Nut
4	152002	4	1/4-20 Hex Nut
5	153007	4	1/4" Lock Washer
6	820321	2	Steam Damper Hinge Assembly
7	803416	1	Steam Damper Assembly (includes illus. nos. 7, 10, and 11)
8	153007	4	1/4" Lock Washer
9	152002	4	1/4-20 Hex Nut
10	115995	60	Steam Damper Gasket (sold by the inch)
11	102350	1	Steam Damper Foam (68-1/2" length)
12	151006	1	5/16-24 Stainless Steel Acorn Nut
13	152051	1	5/16-24 Right Hand Jam Nut
14	100495	1	1-1/16" Dia. x 3" Stroke Piston
15	323365	2	Left and Right Piston Support
16	152002	2	1/4-20 Hex Nut
17	153007	2	1/4" Lock Washer
18	100472	1	1/4" x 1/8" Connector
19	143110	1	1/4" Tubing (sold by the foot)
20	100472	1	1/4" x 1/8" Connector
21	100496	1	1/8" Needle Valve
22	143238	1	1/8" Close Nipple
23	100498	1	3-Way Micro Valve – 24 VAC
24	150002	2	#6-32 x 1" Slotted Machine Screw
25	153010	2	#6 Star Washer
26	152000	2	#6-32 Hex Nut
27	330987	1	Micro Valve Support Bracket
28	152002	2	1/4-20 Hex Nut
29	153007	2	1/4" Lock Washer
30	100520	1	1/8" N.P.T. Silencer (muffler)

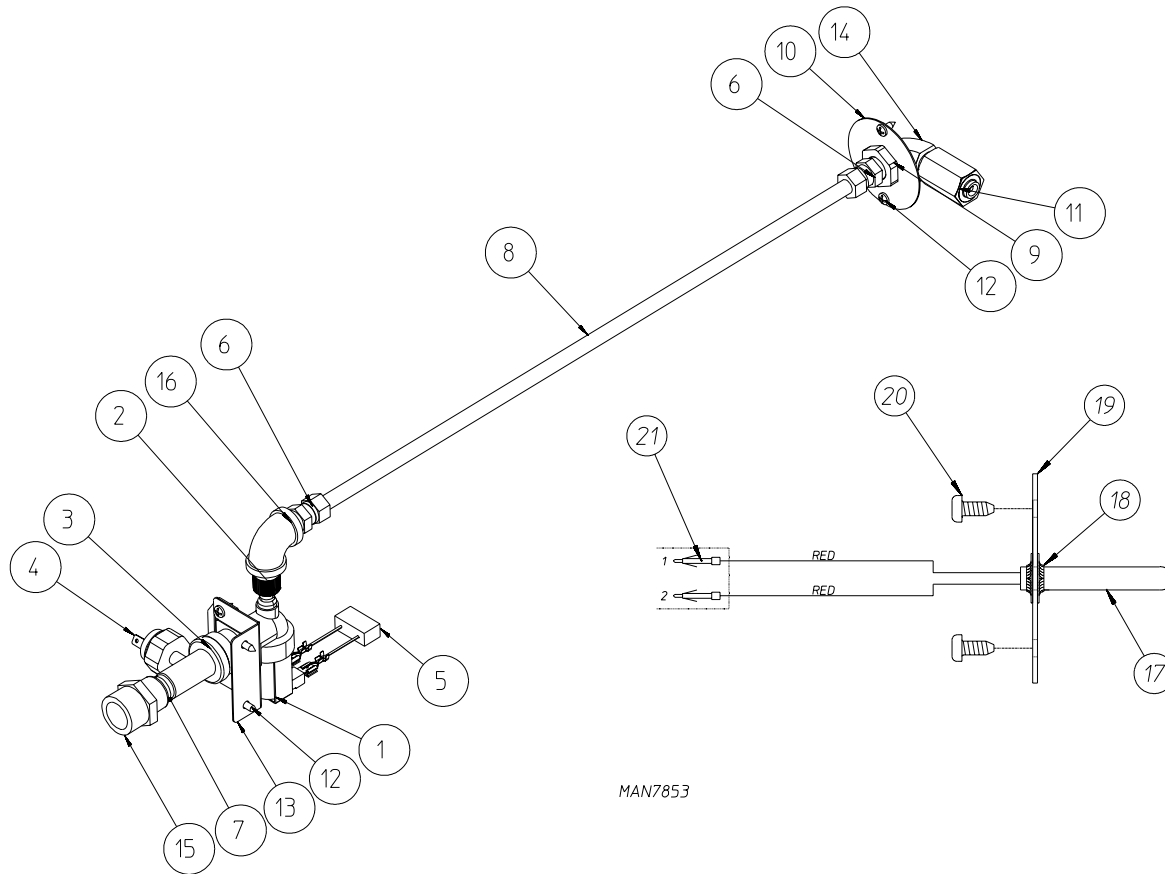
AD-50V Steam Coil / Air-Operated Steam Damper Assembly



<u>Illus. No.</u>	<u>Part No.</u>	<u>Qty.</u>	<u>Description</u>
1	165011	1	Steam Coil
2	153002	6	5/16" Lock Washer
3	152004	6	5/16-18 Hex Nut
4	152002	4	1/4-20 Hex Nut
5	153007	4	1/4" Lock Washer
6	820321	2	Steam Damper Hinge Assembly
7	850260	1	Steam Damper Assembly (includes illus. nos. 7, 10, and 11)
8	153007	4	1/4" Lock Washer
9	152002	4	1/4-20 Hex Nut
10	115995	60	Steam Damper Gasket (sold by the inch)
11	102350	1	Steam Damper Foam (68-1/2" length)
12	151006	1	5/16-24 Stainless Steel Acorn Nut
13	152051	1	5/16-24 Right Hand Jam Nut
14	100495	1	1-1/16" x 3" Stroke Piston
15	323365	2	Left and Right Piston Support
16	152002	2	1/4-20 Hex Nut
17	153007	2	1/4" Lock Washer
18	143163	1	1/4" x 1/8" Connector
19	143110	1	1/4" Tubing (sold by the foot)
20	143163	1	1/4" x 1/8" Connector
21	100496	1	1/8" Needle Valve
22	143238	1	1/8" Close Nipple
23	100498	1	3-Way Micro Valve – 24 VAC
24	150002	2	#6-32 x 1" Slotted Machine Screw
25	153010	2	#6 Star Washer
26	152000	2	#6-32 Hex Nut
27	330987	1	Micro Valve Support Bracket
28	152002	2	1/4-20 Hex Nut
29	153007	2	1/4" Lock Washer
30	100520	1	1/8" N.P.T. Silencer (muffler)

Sensor Activated Fire Extinguishing System Assembly

For Models Mfd. as of November 8, 2011

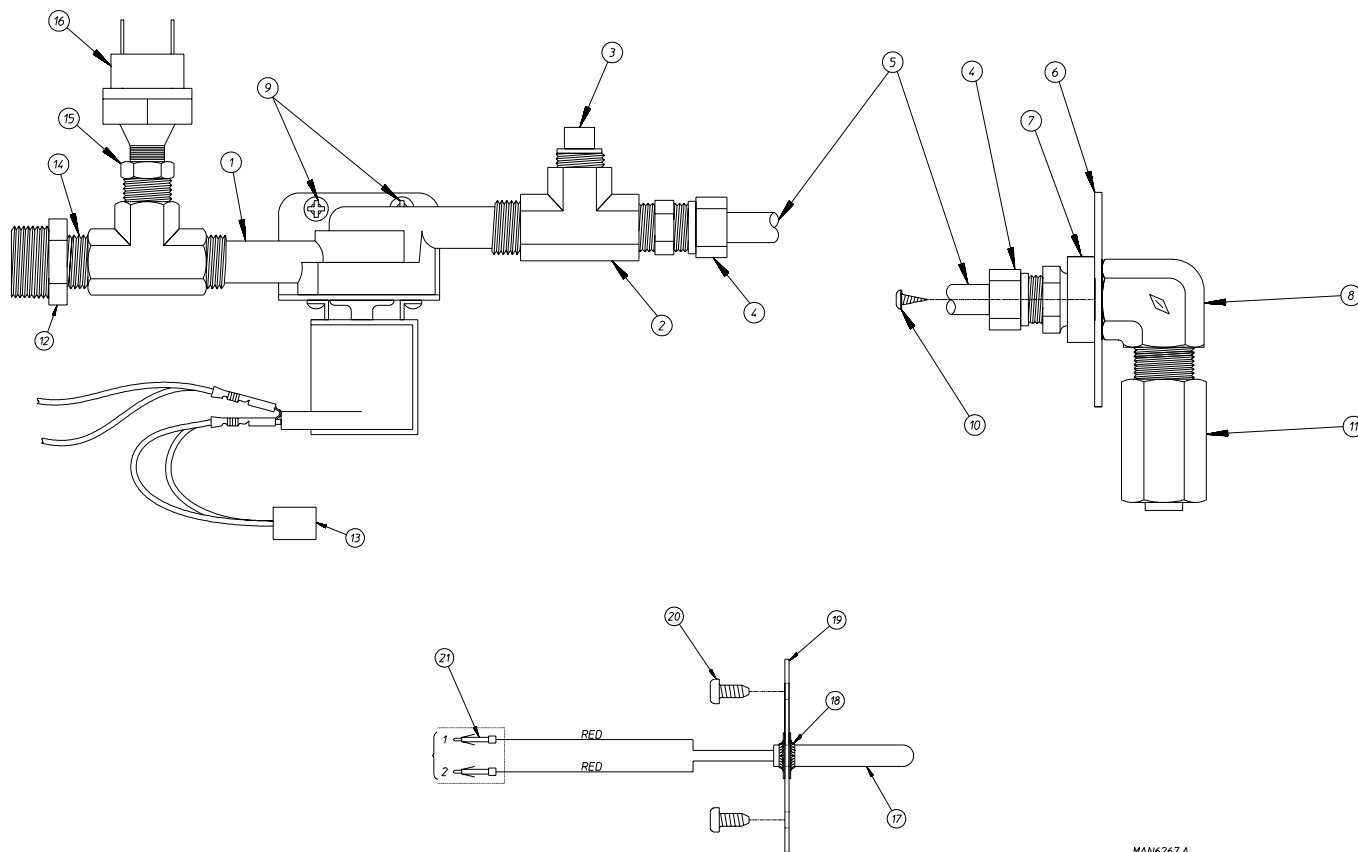


MAN7853

<u>Illus. No.</u>	<u>Part No.</u>	<u>Qty.</u>	<u>Description</u>
1	165119	1	Sensor Activated Fire Extinguishing System H ₂ O Valve 24VAC
2	143183	1	7/16-20 x 3/8 NPD Brass Adaptor
3	143182	1	3/4GHT x 1/8 x 3/8 NPT Brass Tee
4	136987	1	Water Pressure Switch
5	824081	1	RC Network Assembly
6	143208	2	3/8 Comp x 3/8 MPT Brass Connect
7	143241	1	3/8 x Close Brass Nipple
8	143099	1	3/8" OD x .035 Wall Copper Tubing
9	143303	1	3/8 NPT Brass Lock Nut
10	311588	1	Sensor Activated Fire Extinguishing System Sprinkler Head Mounting Plate
11	143581	1	Sensor Activated Fire Extinguishing System 3GPM 3/8 NPT Spray Nozzle
12	150301	6	#8-18 x 7/16 PHL-PH-TEX PLTD
13	313962	1	Main Line Sensor Activated Fire Extinguishing System 90° Valve Bracket
14	143155	1	3/8 Brass Street Elbow
15	143025	1	3/8 NPT x 3/4 NH Nylon Adaptor
16	143310	1	3/8 Brass 90° Elbow
—	817574	1	Sensor Activated Fire Extinguishing System Assembly Complete (includes illus. nos. 1 through 16)
17	822752	1	Sensor Activated Fire Extinguishing System Temperature Probe Assembly (includes illus. nos. 17 through 19 and 21)
18	159007	2	Push-On Fastener
19	390390	1	Sensor Bracket ONLY
20	150301	2	#8-18 x 7/16" Phillips Pan Head TEK Screw
21	122647	1	Connector ONLY (does not include terminals)

Sensor Activated Fire Extinguishing System Assemblies

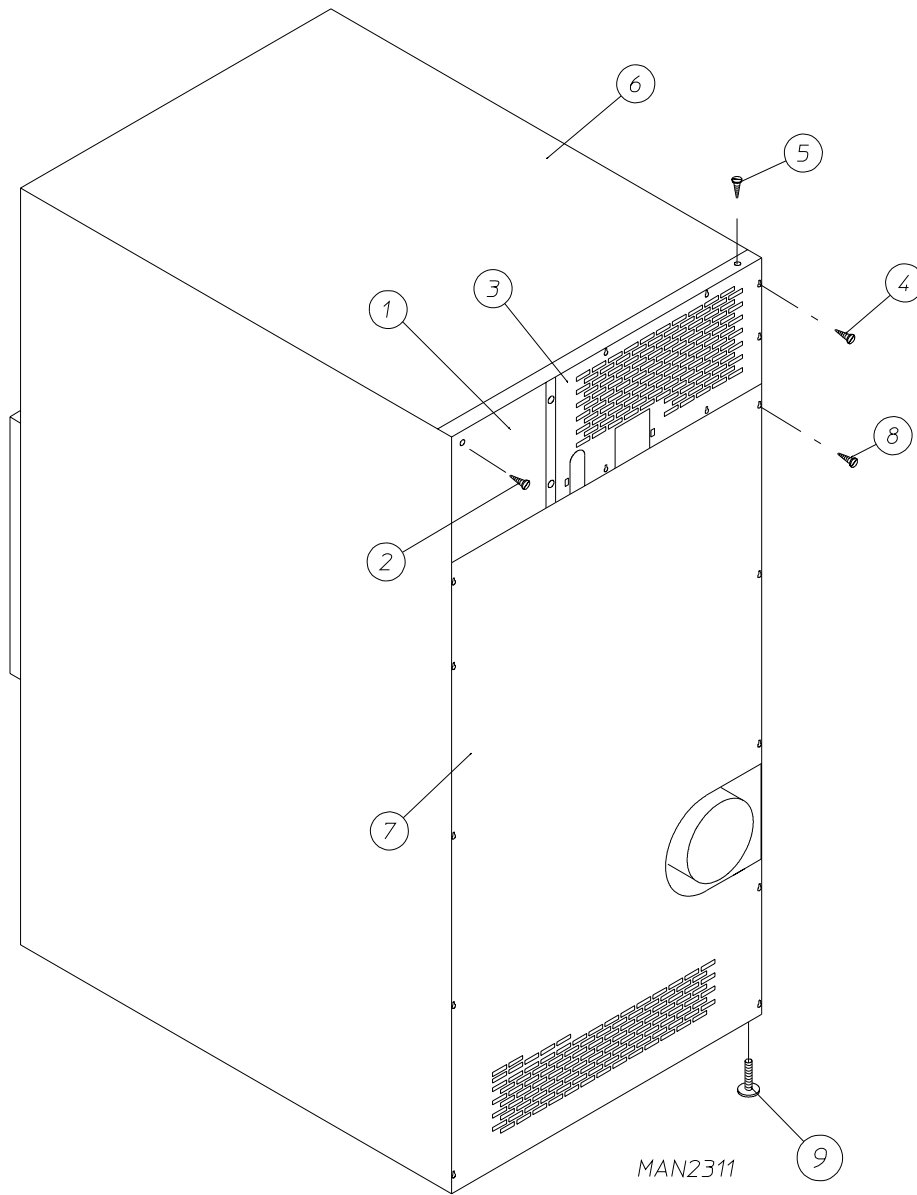
For Models Mfd. prior to November 8, 2011



MAN6267.A

<u>Illus. No.</u>	<u>Part No.</u>	<u>Qty.</u>	<u>Description</u>
1	165114	1	Sensor Activated Fire Extinguishing System Solenoid Valve 24V 50/60 Hz
2	143220	1	3/8" F.P.T. Brass Tee
3	143251	1	3/8" M.P.T. Brass Plug
4	143208	2	3/8" Comp x 3/8" M.P.T. Brass Connector
5	143099	6'	3/8" OD x 0.035 Wall Copper Tubing (sold by the foot)
6	311588	1	Sprinkler Head Mounting Plate
7	143303	1	3/8" N.P.T. Brass Locknut
8	143155	1	3/8" Brass Elbow 90°
9	150430	2	#10 x 1/2" Self-Drilling Screw
10	150301	2	#8-18 x 7/16" TEK Screw
11	143581	1	3 GPM 3/8" F.P.T. Spray Nozzle
12	143025	1	3/8 x 3/4 NH 60 Hz 3/4 M.P.T. x 3/8 Adapt 50 Hz
13	824081	1	R.C. Network Assembly
14	143241	1	3/8" x Close Brass Nipple
15	143315	1	3/8" M.N.P.T. x 1/8" F.N.P.T. Brass Bushing
16	136987	1	Water Jet Pressure Switch (for models mfd. as of December 1, 2003)
17	822752	1	Sensor Activated Fire Extinguishing System Temperature Probe Assembly (includes illus. nos. 17 through 19 and 21)
18	154007	2	Push-On Fastener
19	390390	1	Sensor Bracket ONLY
20	150301	2	#8-18 x 7/16" Phillips Pan Head TEK Screw
21	122647	1	Connector ONLY (does not include terminals)

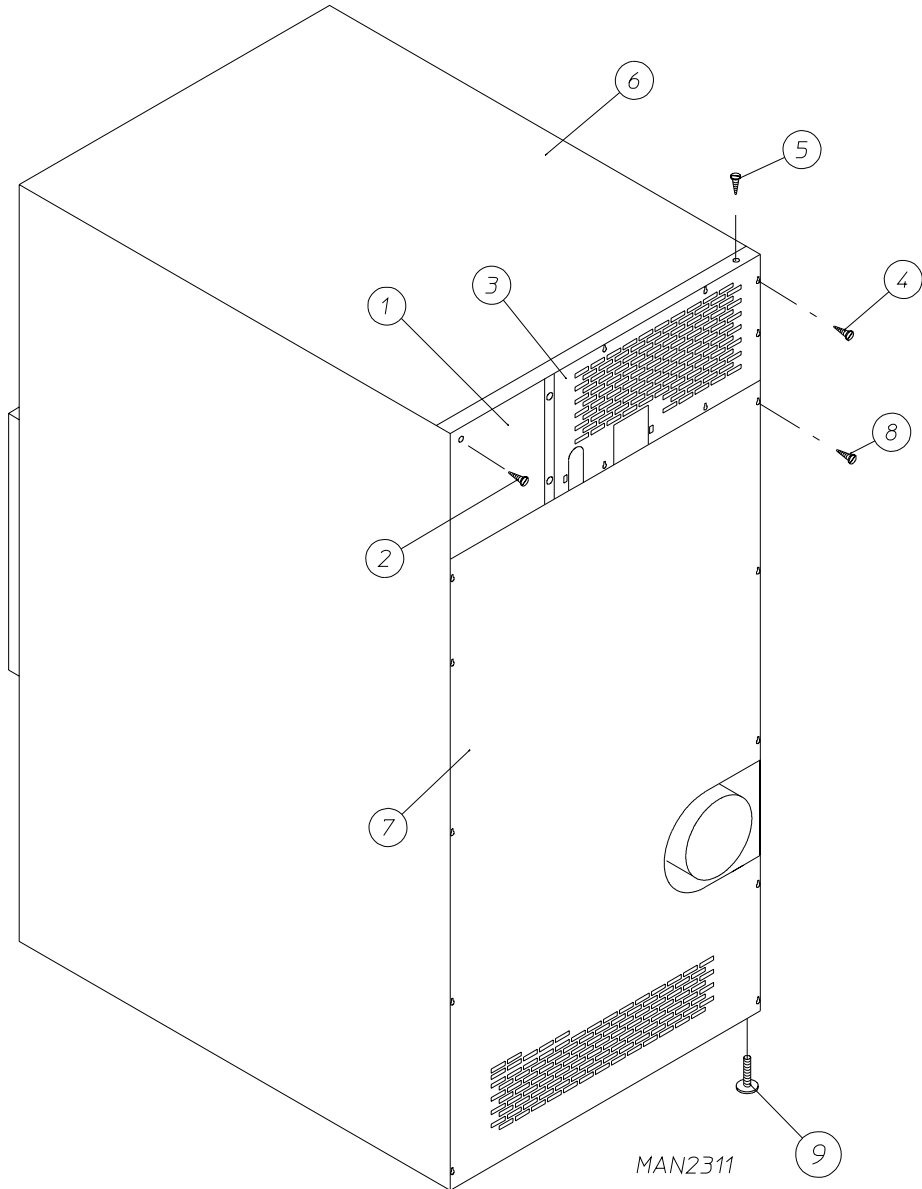
AD-30V Outer Top / Back Guard Assemblies



Illus. No.	Part No.	Qty.	Description
1	322809	1	Back Electrical Box Cover
2	150301	4	#8-18 x 7/16" Phillips Pan Head TEK Screw
3*	314424	1	Top Back Panel / Guard (gas Only)
	314422	1	Top Back Panel / Guard (electric Only)
	322007	1	Interface Plate (gas and electric Only) ... Not Illustrated
4	150301	7	#8-18 x 7/16" Phillips Pan Head TEK Screw
5	150300	10	#10-16 x 1/2" Hex Washer TEK Screw
6*	322015	1	Outer Top (gas and electric Only)
7	322082	1	Bottom Back Guard / Panel
8	150301	13	#8-18 x 7/16" Phillips Pan Head TEK Screw
9	103500	4	Leveling Leg

* There is no outer top or top back guard on steam models.

AD-50V Outer Top / Back Guard Assemblies



<u>Illus. No.</u>	<u>Part No.</u>	<u>Qty.</u>	<u>Description</u>
1	322809	1	Back Electrical Box Cover
2	150301	4	#8-18 x 7/16" Phillips Pan Head TEK Screw
3*	314424	1	Top Back Panel / Guard (gas Only)
	314422	1	Top Back Panel / Guard (electric Only)
	322022	1	Interface Plate (gas and electric Only) ... Not Illustrated
4	150301	7	#8-18 x 7/16" Phillips Pan Head TEK Screw
5	150300	10	#10-16 x 1/2" Hex Washer TEK Screw
6*	312533	1	Outer Top (gas and electric Only)
7	322082	1	Bottom Back Guard / Panel
8	150301	13	#8-18 x 7/16" Phillips Pan Head TEK Screw
9	103500	4	Leveling Leg

* There is no outer top or top back guard on steam models.

AD-30V Oven Component Application Chart

kW	Voltage	Phase	Wire	Oven Assembly * Part No.	Element			Oven Wire with Crimp Terminal			Terminal Lug		Bus Bar Part No. 121011	Oven Relay	
					Qty.	kW	Part No.	Qty.	Size	Part No.	Qty.	Part No.		Cat. No.	Part No.
24	208	3Ø	3 or 4	—	6	4	120010	1	#4	830405	1	121010	1	—	131363
24	240	3Ø	3	—	6	4	120011	1	#6	830404	1	121010	1	DPA63	131369
24	460/480	3Ø	3 or 4	—	6	4	120011	1	#8	830402	1	121010	2	DPA33	131352
20	208	1Ø	2	—	5	4	120010	1	#2	837162	1	121010	2	—	131362
20	240	1Ø	2	—	5	4	120011	1	#2	883384	1	121010	2	—	131362

* When ordering oven assembly complete, specify 3- or 4-wire when applicable.

AD-50V Micro Electric Oven Component Application Chart

kW	Voltage	Phase	Wire	Oven Assembly * Part No.	Element		Oven Wire with Crimp Terminal			Terminal Lug		Bus Bar Part No. 121011	Oven Relay	
					Qty.	kW	Part No.	Qty.	Size	Part No.	Qty.		Part No.	Cat. No.
30	208	3Ø	3 or 4	835060	6	5	120012	1	#4	823066	1	121010	—	131362
30	240	3Ø	3	833124	6	5	120013	1	#4	830405	1	121010	—	131363
30	460/480	3Ø	3 or 4	826222	6	5	120013	1	#8	830402	1	121010	DPA43	131357

* When ordering oven assembly complete, specify 3- or 4-wire when applicable.

AD-50V Dual Timer Electric Oven Component Application Chart

kW	Voltage	Phase	Wire	Oven Assembly * Part No.	Element			Oven Wire with Crimp Terminal			Terminal Lug		Bus Bar Part No. 121011	Oven I Cat. No.
					Qty.	kW	Part No.	Qty.	Size	Part No.	Qty.	Part No.		
30	208	3Ø	3 or 4	825376	6	5	120012	1	#4	882566	1	121010	1	DPA93
30	240	3Ø	3	816129	6	5	120013	1	#4	882566	1	121010	1	DPA73
30	460/480	3Ø	3 or 4	824162	6	5	120013	1	#8	882572	1	121010	1	DPA43

* When ordering oven assembly complete, specify 3- or 4-wire when applicable.

<u>Part No.</u>	<u>Description</u>
112280	"Clean Lint Screen" Label
114001	"CAUTION Exhaust / Lint Screen" Label
114006	"WARNING – Fire Hazards" Label
114125	Warning Label (5 languages)
114521	"Phase 7 OPL Program Location Summary" Label
120800	1/4" In-Line Connector
120802	Red Butt Connector
120902	#74B Wire Nut
120903	Crimp-On Wire Nut
121499	5-1/2" Harness Tie
121500	8" Harness Tie
404502	White Brush-In-Cap Bottle Touch-Up Paint (0.6 oz. bottle)
404513	Wrinkle Blue Brush-In-Cap Bottle Touch-Up Paint (0.6 oz. bottle)
404516	Ivory Brush-In-Cap Bottle Touch-Up Paint (0.6 oz. bottle)
882206	CD Rom (ADC Publications)

Tools Available

<u>Part No.</u>	<u>Description</u>
122804	Manometer (hydro gauge) for Measuring Gas Pressure
882458	Tumbler Puller (for removal of rear tumbler bearing)
140929	1/8" Dia. Pitot Tube (required for Magnehelic below)
168203	0 - 2.0 in WC Magnehelic Gauge (for taking exhaust static pressure readings). Does not include case or Pitot tube. Must be purchased separately.
883830	36E Gas Valve Tail Piece Removal Tool
883204	Fabricated Fan Puller

