



AD-60 Parts Manual

24 VAC Phase 5

1992 thru 1998

American Dryer Corporation
88 Currant Road
Fall River, MA 02720-4781
Telephone: (508) 678-9000 / Fax: (508) 678-9447
E-mail: techsupport@amdry.com
www.amdry.com

Retain This Manual In A Safe Place For Future Reference

American Dryer Corporation products embody advanced concepts in engineering, design, and safety. If this product is properly maintained, it will provide many years of safe, efficient, and trouble-free operation.

ONLY qualified technicians should service this equipment.

OBSERVE ALL SAFETY PRECAUTIONS displayed on the equipment or specified in the installation manual included with the dryer.

The following “**FOR YOUR SAFETY**” caution **must be** posted near the dryer in a prominent location.

FOR YOUR SAFETY

Do not store or use gasoline or other flammable vapors and liquids in the vicinity of this or any other appliance.

POUR VOTRE SÉCURITÉ

Ne pas entreposer ni utiliser d'essence ni d'autres vapeurs ou liquides inflammables à proximité de cet appareil ou de tout autre appareil.

We have tried to make this manual as complete as possible and hope you will find it useful. **ADC** reserves the right to make changes from time to time, without notice or obligation, in prices, specifications, colors, and material, and to change or discontinue models.

Important

For your convenience, log the following information:

DATE OF PURCHASE _____ **MODEL NO.** AD-60

RESELLER'S NAME _____

Serial Number(s) _____

Replacement parts can be obtained from your reseller or the **ADC** factory. When ordering replacement parts from the factory, you can FAX your order to **ADC** at (508) 678-9447 or telephone your order directly to the **ADC** Parts Department at (508) 678-9000. Please specify the dryer **model number** and **serial number** in addition to the **description** and **part number**, so that your order is processed accurately and promptly.

The illustrations on the following pages may not depict your particular dryer exactly. The illustrations are a composite of the various dryer models. Be sure to check the descriptions of the parts thoroughly before ordering.

“IMPORTANT NOTE TO PURCHASER”

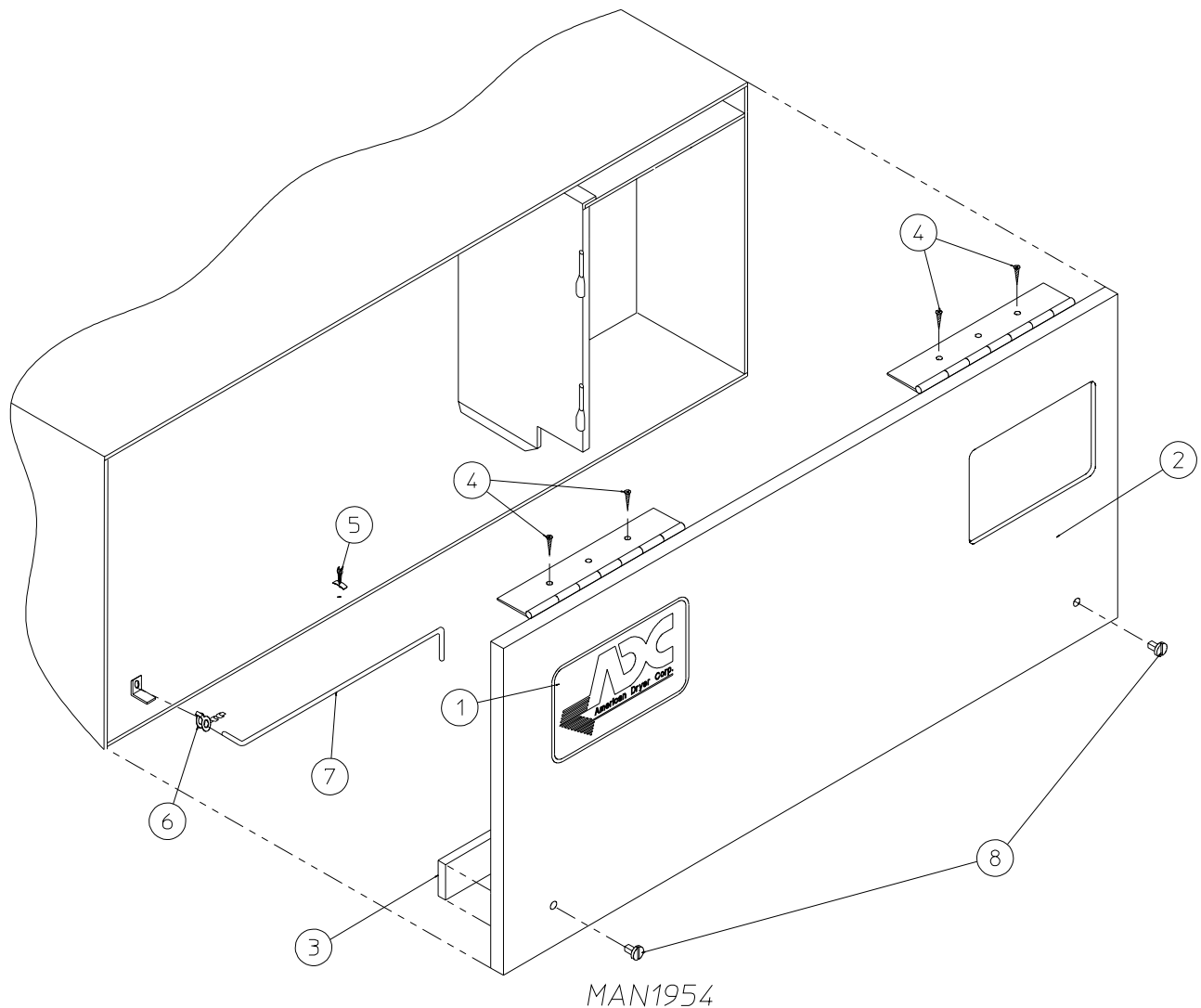
Information **must be** obtained from your local gas supplier on the instructions to be followed if the user smells gas. These instructions **must be** posted in a prominent location near the dryer.

Table of Contents

Control Door Assembly Without Trim	
For OPL (Non-Coin) Models Mfd. as of July 13, 1998	3
High Security Control Door Assembly	4
Phase 5 OPL Microprocessor Control Panel Assembly	5
Phase 5 OPL Microprocessor Control Box Assembly	6
Dual Timer “Tap Touch” Controls	
For Models Mfd. as of November 3, 2000	7
Dual Timer Control Panel Assembly	8, 9
Dual Timer Control Box Assembly	10
Main Door Cold Rolled Steel (CRS) Assembly	11
Plastic Main Door Assembly	12
Cold Rolled Steel (CRS) Door Front Panel Assembly	13
Plastic Door Front Panel Assembly	14
Cold Rolled Steel (CRS) Main Door Switch Assembly	15
Plastic Main Door Switch Assembly	16
Lint Trap Assembly	17
Drop Lint Door Assembly without Trim	
For OPL (Non-Coin) Models Mfd. as of July 13, 1999	18
Drop Lint Door Assembly with Trim	
For Models Mfd. prior to July 13, 1999	19
Basket (Tumbler)/Support Assembly	20, 21
Basket (Tumbler) Bearing Assembly	
For Models Mfd. as of April 20, 1999	22, 23

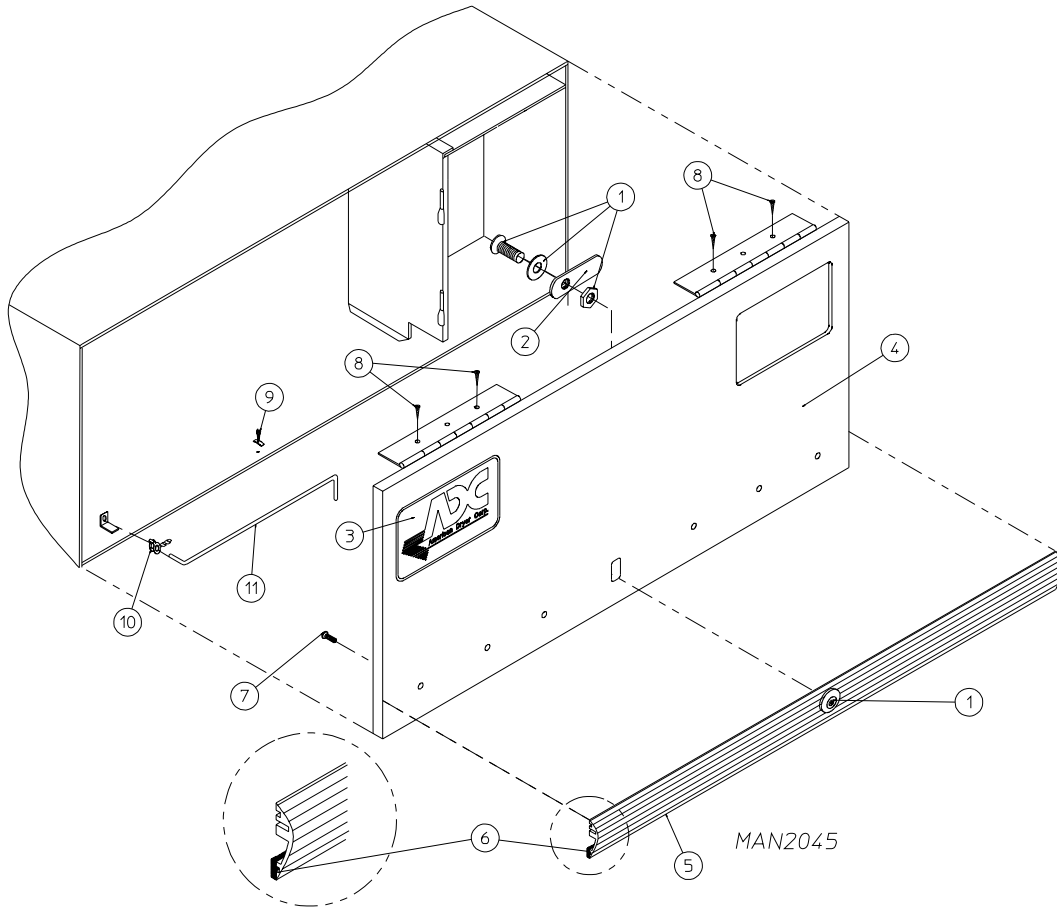
(Basket) Tumbler Bearing Assembly	
For Models Mfd. prior to April 20, 1999	24, 25
Idler Bearing Assembly	26, 27
Non-Reversing T.E.F.C. Motor Mount Assembly	28, 29
Reversing T.E.F.C. Motor Mount Assembly	30, 31
Sensor Bracket Assemblies	32, 33
Direct Spark Ignition (DSI) Burner Box Assembly	
For Models Mfd. as of April 10, 2000	34, 35
Direct Spark Ignition (DSI) Burner Assembly	
For Models Mfd. prior to April 10, 2000	36, 37
Electric Oven Assembly	38, 39
Sail Switch/Hi-Limit Assemblies	40, 41
Single-Phase (1 ϕ) Motor, Electric Relay Panel Assembly	42
3-Phase (3 ϕ) Motor, Electric Relay Panel Assembly	43
Microprocessor Reversing Rear Control Box Assembly	44
Dual Timer Reversing Rear Control Box Assembly	45
Air-Operated Steam Damper Assembly	46, 47
Mechanical Steam Damper Assembly Option	48, 49
Outer Top/Back Guard Assembly	50
Heat Reclaimer Assembly	51
Direct Spark Ignition (DSI) Burner Assembly Specifications	52
Electric Oven Component Application Chart	53
Additional Parts Available	54

For OPL (Non-Coin) Models Mfd. as of July 13, 1998



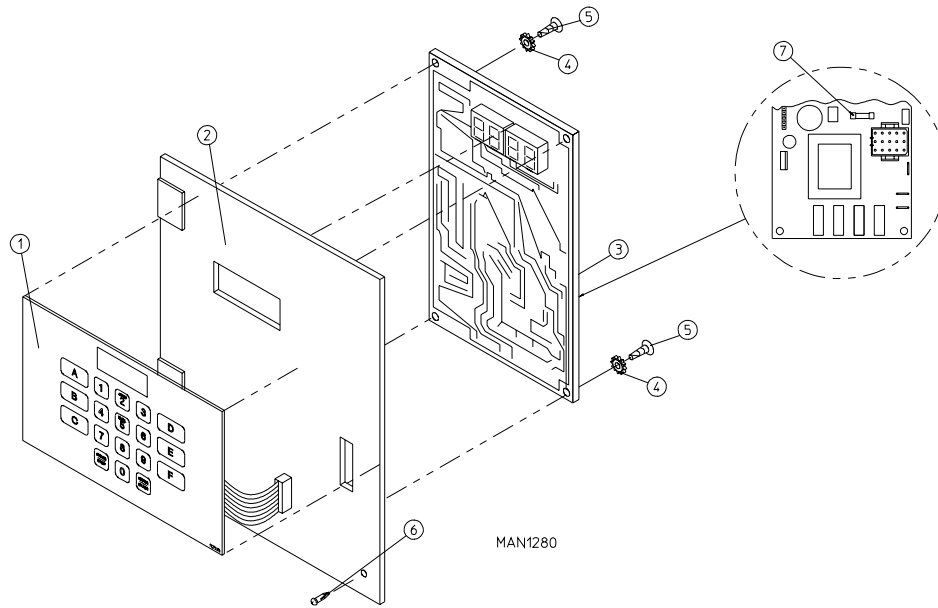
<u>Illus. No.</u>	<u>Part No.</u>	<u>Qty.</u>	<u>Description</u>
1	881053	1	ADC Logo ONLY (with double adhesive tape)
	870011	1	Logo Double Tape Kit
2	881045*	1	Control Door
	881046	1	Stainless Steel Control Door (includes illus. nos. 2 and 3)
3	117604	4	Neoprene Sponge Tape (sold by the foot)
4	150300	4	#10-16 x 1/2" Hex Washer TEK Screw
5	102603	1	Control Door Rod Support Catch
6	102601	1	Control Door Rod Retainer Clip
7	102502	1	Control Door Support Rod
8	882541	2	Spring Turn Latch Assembly

* Specify color when ordering.



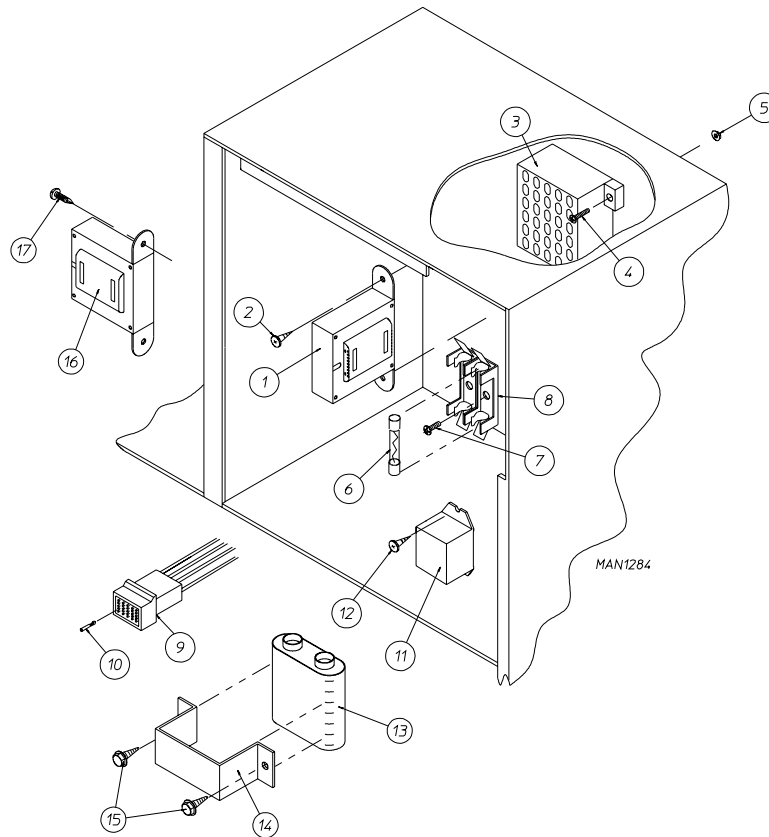
Illus. No.	Part No.	Qty.	Description
1	160017	1	Special Dummy Lock ONLY (for non-coin models Only)
	160104	1	MK-100 Key ONLY (optional)
2	160016	1	Lock Cam ONLY
3	882052	1	Metal ADC Logo with Tape
	870011	1	Logo Double Tape Kit
4	800021*	1	High Security Control Door Assembly (includes illus. nos. 4 through 7)
	800142	1	High Security Stainless Steel Control Door Assembly Less Lock (includes illus. nos. 4 through 7)
5	180202	1	Top Trim Strip with Lock Hole
6	117603	3	Suppressor Tape/Gasket (sold by the foot) (for models mfd. as of February 6, 1995)
	102307	3	Trim Bumper Gasket (sold by the foot) (for models mfd. prior to February 6, 1995)
7	150201	6	#10-32 x 1/4" Phillips Round Head Machine Screw
8	150300	4	#10-16 x 1/2" Hex Washer TEK Screw
9	102600	1	Control Door Rod Support Catch
10	102601	1	Control Door Rod Retainer Clip
11	102502	1	Control Door Support Rod

* Specify color when ordering.



<u>Illus. No.</u>	<u>Part No.</u>	<u>Qty.</u>	<u>Description</u>
1	112535	1	OPL English Keyboard Label Assembly
	112276	1	OPL Stick-On Labels (English Only)...Not Illustrated
	112275	1	3-Language OPL Stick-On Labels...Not Illustrated (Spanish, Italian, and Hebrew)
	112277	1	3-Language OPL Stick-On Labels...Not Illustrated (English, Spanish, and Hebrew)
	112278	1	5-Language OPL Stick-On Labels...Not Illustrated (Italian, Dutch, French, German, and Chinese)
2	801255	1	Phase 5 Microprocessor Control Panel ONLY
	801256	1	Phase 5 Microprocessor Control Panel ONLY with Battery Bracket
	801206	1	Phase 5 OPL Non-Reversing Microprocessor Control Panel Assembly Complete (includes illus. nos. 1 through 6)
	801207	1	Phase 5 OPL Reversing Microprocessor Control Panel Assembly Complete (includes illus. nos. 1 through 6)
3	137222	1	Phase 5 OPL Non-Reversing Controller ONLY
	137231	1	Phase 5 OPL Reversing Controller ONLY
	824998	1	Phase 5 Battery Clip
4	153010	2	#6 Star Washer
5	150005	2	#6-32 x 1/4" Phillips Round Head Machine Screw
6	150413	1	#10-16 x 1/2" TORX Crimptite Screw (for models mfd. as of March 1, 1994)
	160005	1	Spring Turn Latch (2-piece)...Not Illustrated (for models mfd. prior to March 1, 1994)
7	136048	1	1/8-Amp (slo blo) Fuse

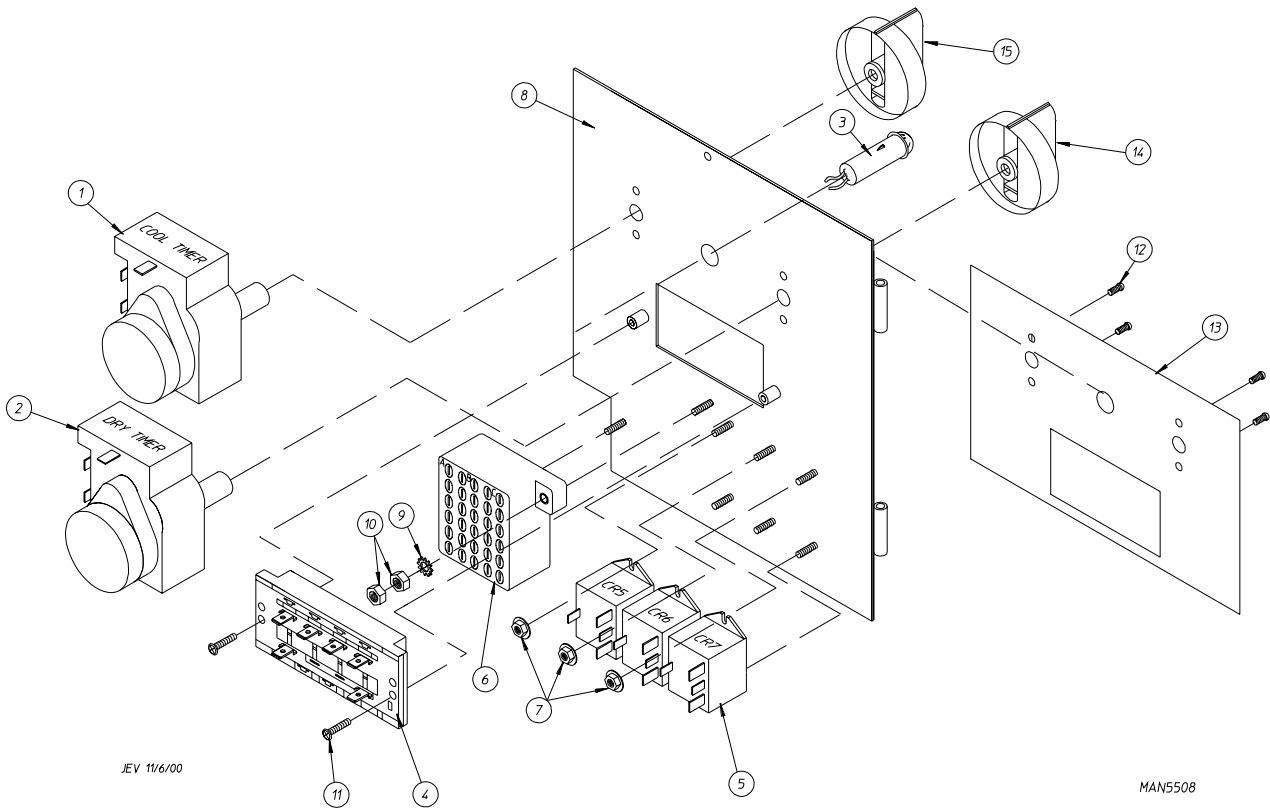
IMPORTANT: Check label on computer chip to verify correct part number for controller.



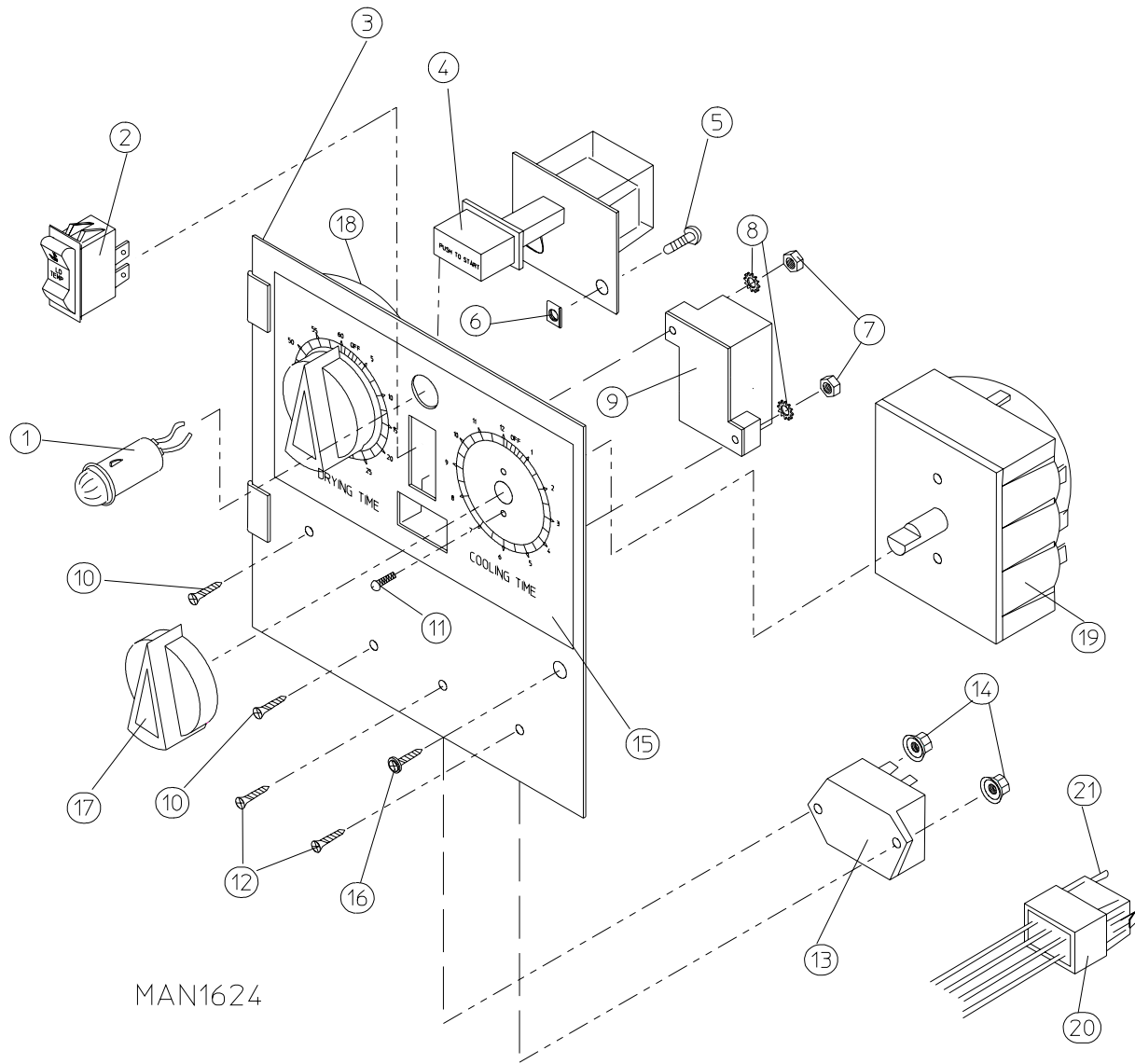
<u>Illus. No.</u>	<u>Part No.</u>	<u>Qty.</u>	<u>Description</u>
1	141403	1	24 VAC Transformer
2	150300	2	#10-16 x 1/2" Hex Washer TEK Screw
3	120715	1	30-Position Terminal Block
4	150002	2	#6-32 x 1" Phillips Round Head Screw
5	151000	2	#6-32 Pal Nut
6	136057	*	1/2-Amp (slo blo) Fuse
7	150301	*	#8-18 x 7/16" Self Drilling Screw
8	136008	*	Fuse Block/Strip ONLY
9	122641	1	15-Pin Microprocessor Connector
10	122706	*	Sockets ONLY
11	131931	1	Steam Valve Relay - 24 VAC (for mechanical steam damper models Only)
12	150415	2	#10-16 x 1/2" Phillips Round Head Crimptite Screw
13	137035	1	Motor Capacitor (for mechanical steam damper models Only)
14	323583	1	Capacitor Bracket (for mechanical steam damper models Only)
15	150300	2	#10-16 x 1/2" Hex Washer TEK Screw
16	132002	1	Transformer (for mechanical steam damper models 208 volts and higher)
17	150300	2	#10-16 x 1/2" Hex Washer TEK Screw

* As required.

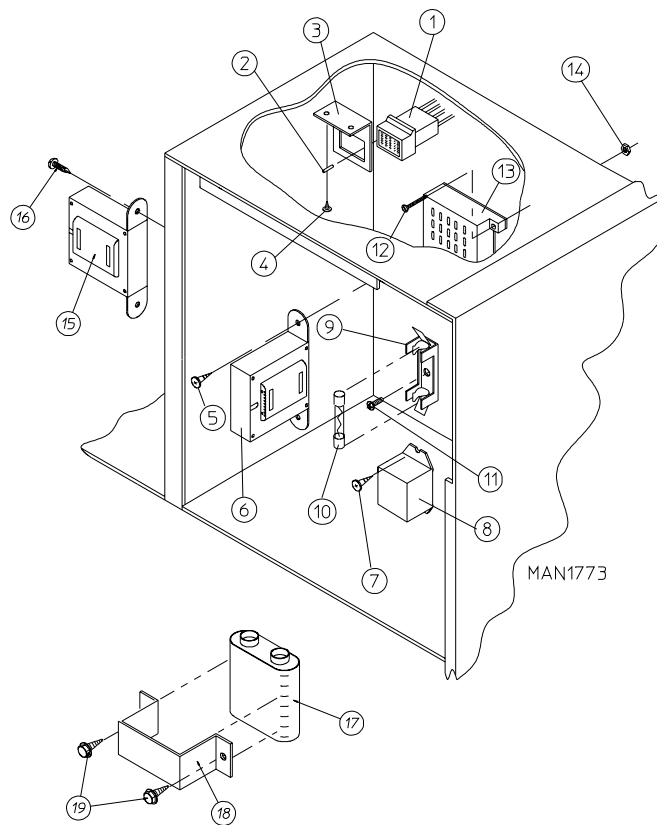
For Models Mfd. as of November 3, 2000



<u>Illus. No.</u>	<u>Part No.</u>	<u>Qty.</u>	<u>Description</u>
1	124030	1	15 Minute Timer - 24 VAC
2	124025	1	60 Minute Timer - 24 VAC
3	824175	1	Red Pilot Light - 24 VAC
4	122301	1	"Tap Touch" Switch
5	131932	3	Relay SPST 24v
6	120730	1	30-Position Terminal Block
7	151000	6	#6-32 Pal Nut
8	882903	1	Dual Timer Panel Complete (includes illus. nos. 1 through 15)
	850392	-	Dual Timer Panel ONLY
9	153010	2	#6 Star Washer
10	152000	3	#6-32 Hex Nut
11	150207	2	#10-24 x 1/2" Phillips Pan Head Machine Screw
12	150110	4	#8-32 x 1/4" Phillips Round Head Machine Screw
13	112563	1	Dual Timer Panel Overlay
14	124104	1	Pure Touch Knob with Red Pointer
15	124105	1	Pure Touch Knob with Blue Pointer



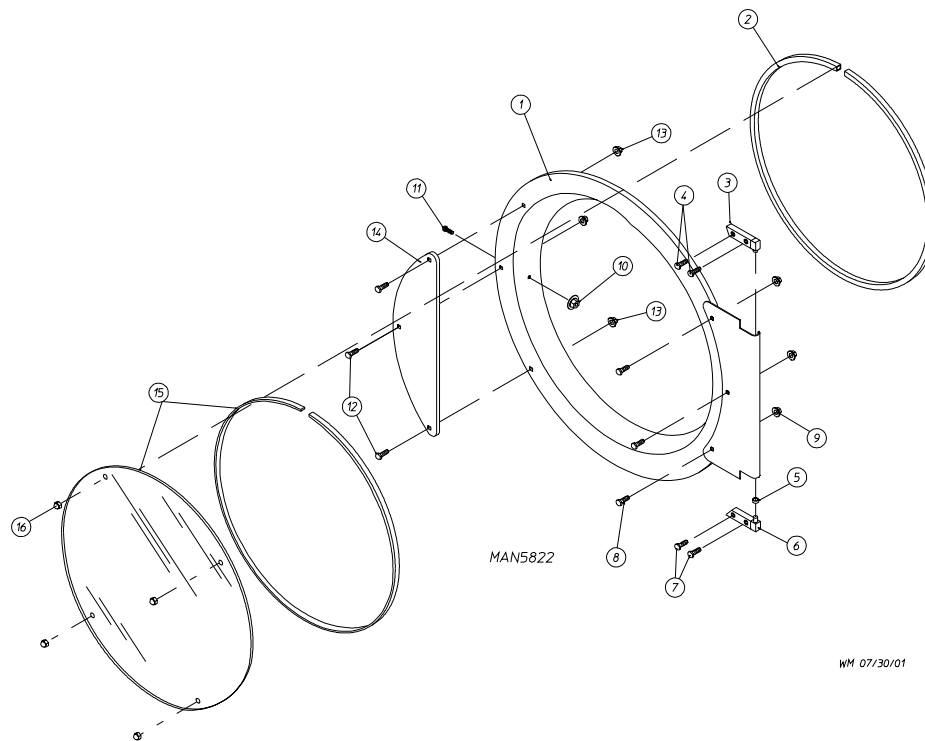
<u>Illus. No.</u>	<u>Part No.</u>	<u>Qty.</u>	<u>Description</u>
1	123005	1	Red Indicator Light - 24 VAC
2	122400	1	Rocker Heat Selector Switch
3	824015	1	Dual Timer Control Panel Assembly Complete - 24 VAC (includes illus. nos. 1 through 21)
	800051	1	Dual Timer Control Panel ONLY
4	131917	1	Push-To-Start Relay - 24 VAC
5	150207	2	#10-24 x 1/2" Round Head Machine Screw
6	154001	2	#10-24 Speed Nut
7	152000	2	#6-32 Hex Nut
8	153010	2	#6 Star Washer
9	120730	1	30-Position Terminal Block (for models mfd. as of May 2, 1993)
	120713	1	18-Position Terminal Block (for models mfd. prior to May 2, 1993)
10	150002	2	#6-32 x 1" Phillips Round Head Machine Screw
11	150110	4	#8-32 x 1/4" Phillips Machine Screw
12	150001	2	#6-32 x 1/2" Phillips Round Head Machine Screw
13	131931	1	Dual Timer Relay - 24 VAC
14	151000	2	#6-32 Pal Nut
15	112050	1	Dual Timer Label ONLY
16	150415	1	#10-16 x 1/2" Phillips Round Head Crimptite Screw (for models mfd. as of March 1, 1994)
	160005	1	Spring Turn Latch (2-piece)...Not Illustrated (for models mfd. prior to March 1, 1994)
17	124103	2	Arrow Timer Knob
18	124025	1	60 Minute Timer - 24 VAC
19	124030	1	15 Minute Timer - 24 VAC
20	122602	1	9-Pin Connector ONLY
21	122700	8	Pin Terminal ONLY
--	122801	1	Pin/Socket Extraction Tool



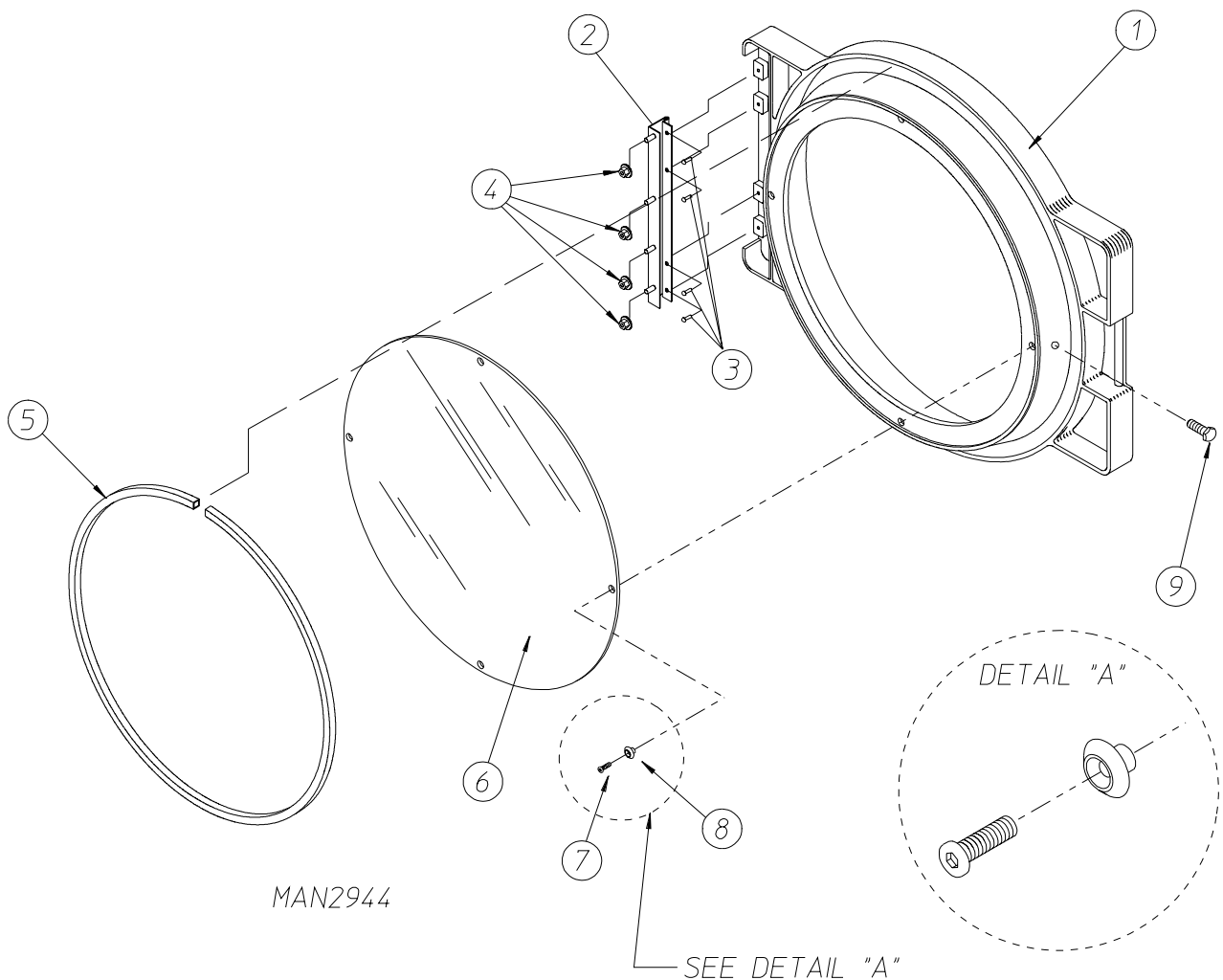
<u>Illus. No.</u>	<u>Part No.</u>	<u>Qty.</u>	<u>Description</u>
1	122603	1	9-Pin Socket Connector
2	122701	9	Socket Terminal ONLY
	122801	1	Pin/Socket Extraction Tool
3	315010	1	9-Pin Connector Bracket
4	150300	2	#10-16 x 1/2" Hex Washer TEK Screw
5	150300	2	#10-16 x 1/2" Hex Washer TEK Screw
6	141403	1	24 VAC Transformer
7	150415	2	#10-16 x 1/2" Phillips Round Head Crimptite Screw
8	131931	1	Steam Valve Relay (for mechanical steam damper models Only - 24 VAC)
9	136008	*	Fuse Block/Strip ONLY
10**	136057	*	1/2-Amp (slo blo) Fuse ONLY
11	150301	*	#8-18 x 7/16" Phillips Pan Head TEK Screw
12	150002	2	#6-32 x 1" Phillips Round Head Machine Screw
13	120715	1	30-Position Terminal Block
14	151000	2	#6-32 Pal Nut
15	132002	1	Transformer (for mechanical steam damper 208 VAC and higher)
16	150300	2	#10-16 x 1/2" Hex Washer TEK Screw
17	137035	1	Motor Capacitor (for mechanical steam damper models Only)
18	323583	1	Capacitor Bracket (for mechanical steam damper models Only)
19	150300	2	#10-16 x 1/2" Hex Washer TEK Screw

* As required.

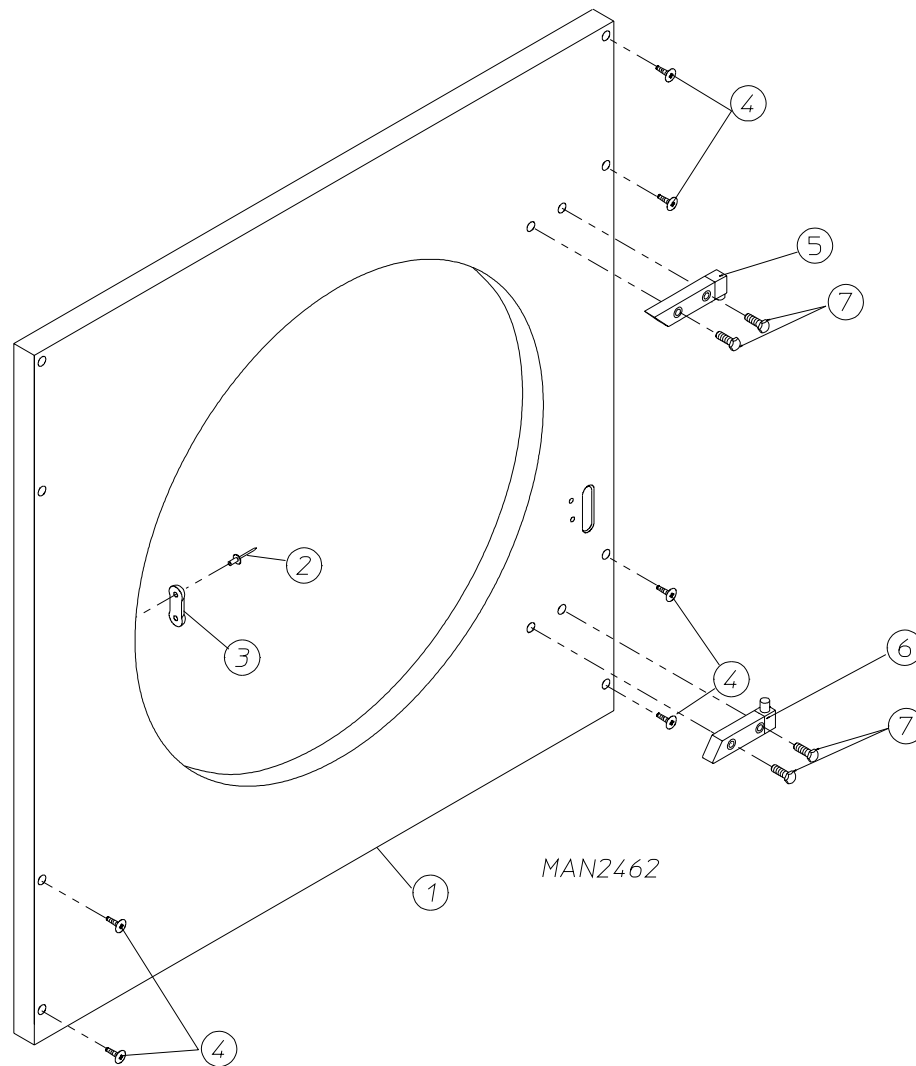
** Check fuse rating for verification.



<u>Illus. No.</u>	<u>Part No.</u>	<u>Qty.</u>	<u>Description</u>
1	881150	1	Black Main Door Assembly Complete (includes illus. nos. 1, 2, and 8 through 15)
2	102354	1	Door Gasket
	170730	1	Clear Glass Adhesive (10.3 oz. cartridge)
	170731	1	Black Glass Adhesive (10.3 oz. cartridge)
3	881152	1	Black Top Hinge Block Assembly (includes illus. nos. 3 and 4)
4	150445	2	1/4-20 x 3/4" Black Cap Head Setscrew
5	153031	1	1/4" Nylon Washer
6	881151	1	Black Bottom Hinge Block Assembly (includes illus. nos. 5, 6, and 7)
7	150445	2	1/4-20 x 3/4" Black Cap Head Setscrew
	150443	2	1/4-20 x 3/4" Stainless Steel Cap Head Setscrew
8	150683	3	1/4-20 x 5/8" Black Carriage Bolt
9	152014	3	1/4-20 Free Spin Wash Nut
10	151010	1	#10-32 Black Hex Acorn Nut
11	150120	1	Door Latch Screw
12	150683	3	1/4-20 x 5/8" Black Carriage Bolt
13	152014	3	1/4-20 Free Spin Wash Nut
14	881210	1	Black Main Door Handle ONLY
15	102218	1	20-7/16" Door Glass (for cold rolled steel [CRS] door with mechanical fasteners)
	102211	1	Door Glass with Notch (for cold rolled steel [CRS] door without mechanical fasteners)
	102360	1	Glass/Door Gasket Tape
	170731	1	Black Glass Adhesive (10.3 oz. cartridge)
16	151013	4	#10-32 Black Nylon Acorn Nut

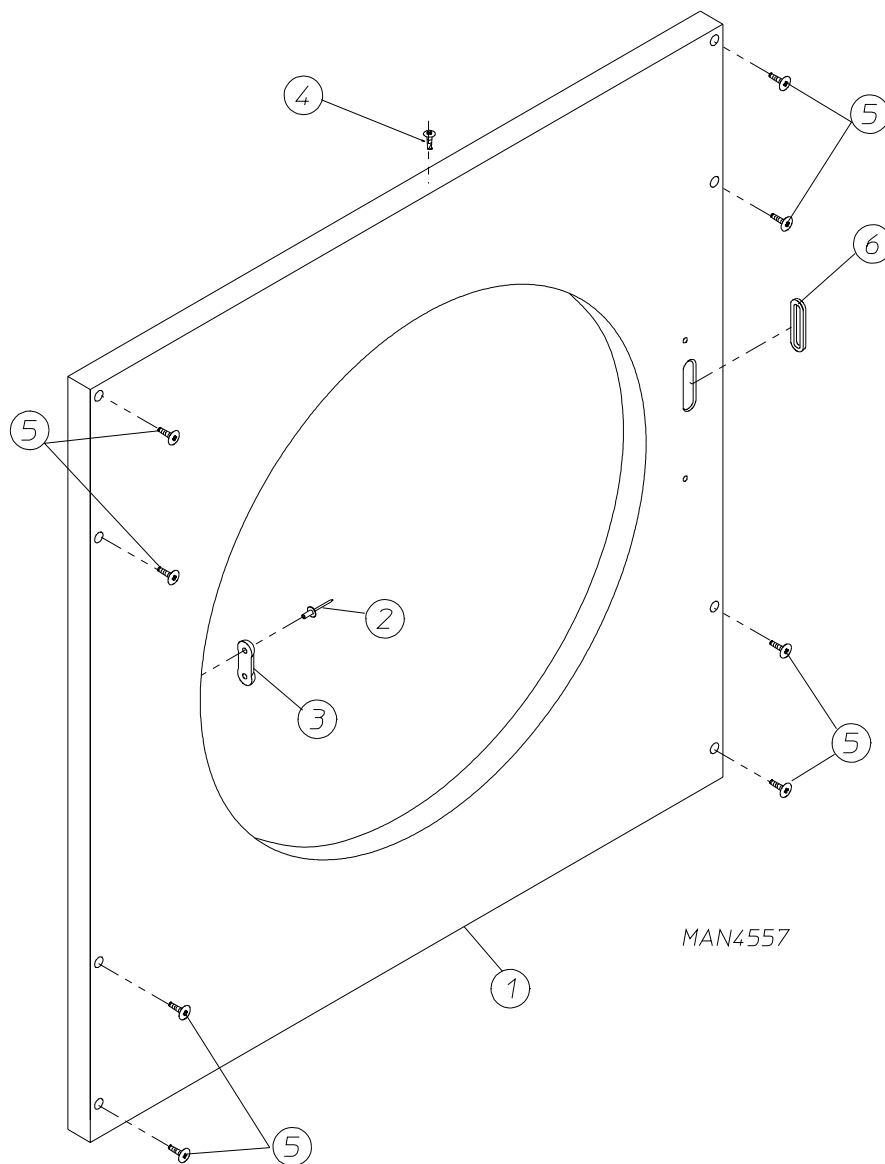


<u>Illus. No.</u>	<u>Part No.</u>	<u>Qty.</u>	<u>Description</u>
1	881421	1	Gray Plastic Main Door Assembly Complete with Mechanical Fasteners (includes illus. nos. 1 and 5 through 9)
2	800448	4	12-1/2" Stainless Steel Main Door Hinge Assembly
3	150410	4	#10-24 x 3/8" Phillips Pan Head Taptite Screw
4	152014	1	1/4-20 Free Spin Wash Nut
5	102349	1	Main Door Gasket
6	102212	1	20-7/16" Door Glass with Four (4) Holes
	170730	1	Main Door Glass Adhesive (10.3 oz. cartridge)
7	150448	4	1/2" Stainless Steel Flat Head Allen Screw
8	170319	4	Door Glass (nylon) Spacer
9	150431	1	Main Door Latch Screw (#10 x 7/16" dome hex head)



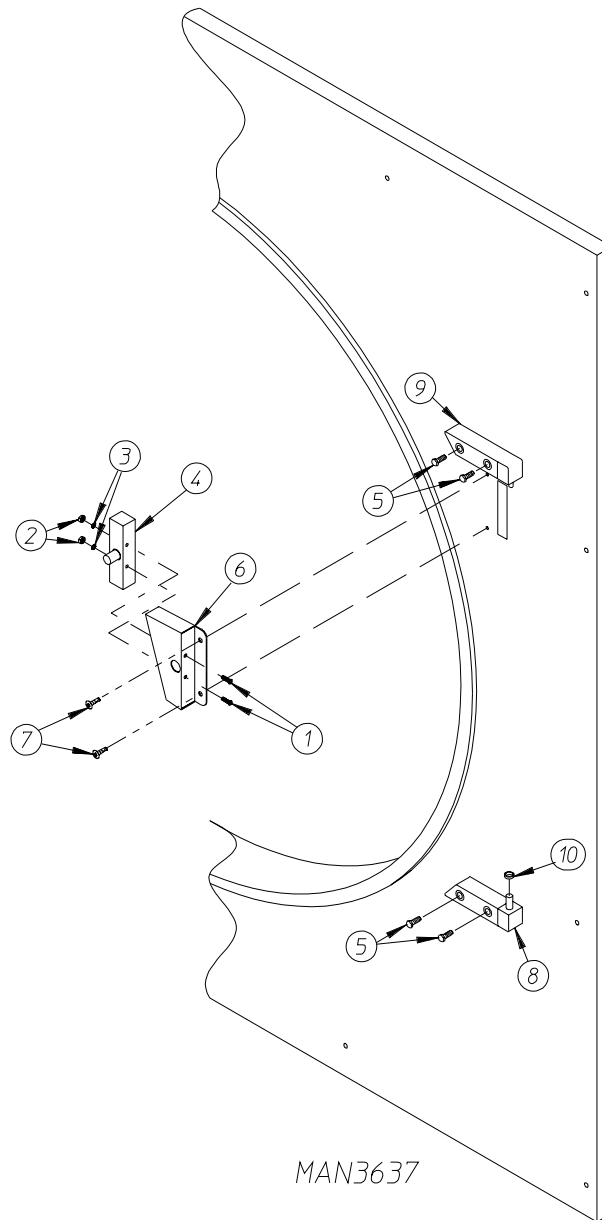
<u>Illus. No.</u>	<u>Part No.</u>	<u>Qty.</u>	<u>Description</u>
1	881273 *	1	Cold Rolled Steel (CRS) Door Front Panel Assembly (includes illus. nos. 1 through 3)
	881289	1	Cold Rolled Steel (CRS) Stainless Steel Front Panel Assembly (includes illus. nos. 1 through 3)
2	154215	2	1/8" Pop Rivet
3	170330	1	Friction Door Latch
4	150309	8	#10-16 x 1/2" Phillips Hex Head TEK Crimptite Screw
	150313	8	TORX Head Screw (for models mfd. as of October 2, 2000)
5	881152	1	Black Top Hinge Block Assembly
	881208	1	Stainless Steel Top Hinge Block Assembly
6	881151	1	Black Bottom Hinge Block Assembly
	881209	1	Stainless Steel Bottom Hinge Block Assembly
7	150445	4	1/4-20 x 7/8" Black Cap Head Setscrew
	150443	4	1/4-20 x 7/8" Stainless Steel Cap Head Setscrew

* Specify color when ordering.

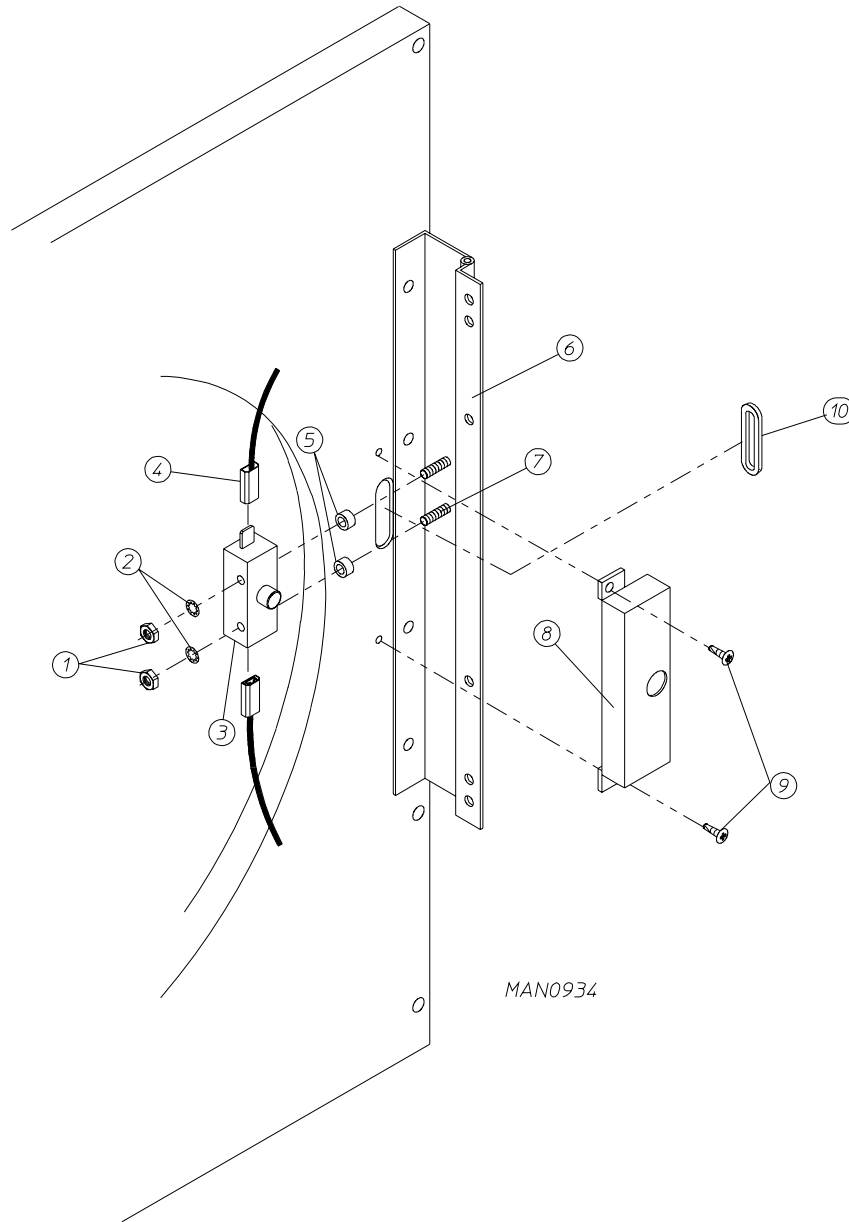


<u>Illus. No.</u>	<u>Part No.</u>	<u>Qty.</u>	<u>Description</u>
1	875302*	1	Right Hand Insulated Front Panel Assembly Complete (includes illus. nos. 1, 2, 3, and 6)
	875313	1	Stainless Steel Right Hand Insulated Front Panel Assembly Complete (includes illus. nos. 1, 2, 3, and 6)
2	154215	2	5/32" Pop Rivet
3	170330	1	Friction Door Latch
4	150300	1	#10-16 x 1/2" Hex Washer TEK Screw
5	150415	8	#10-16 x 1/2" Phillips Round Head Crimpite Screw
6	121405	1	Rubber Grommet

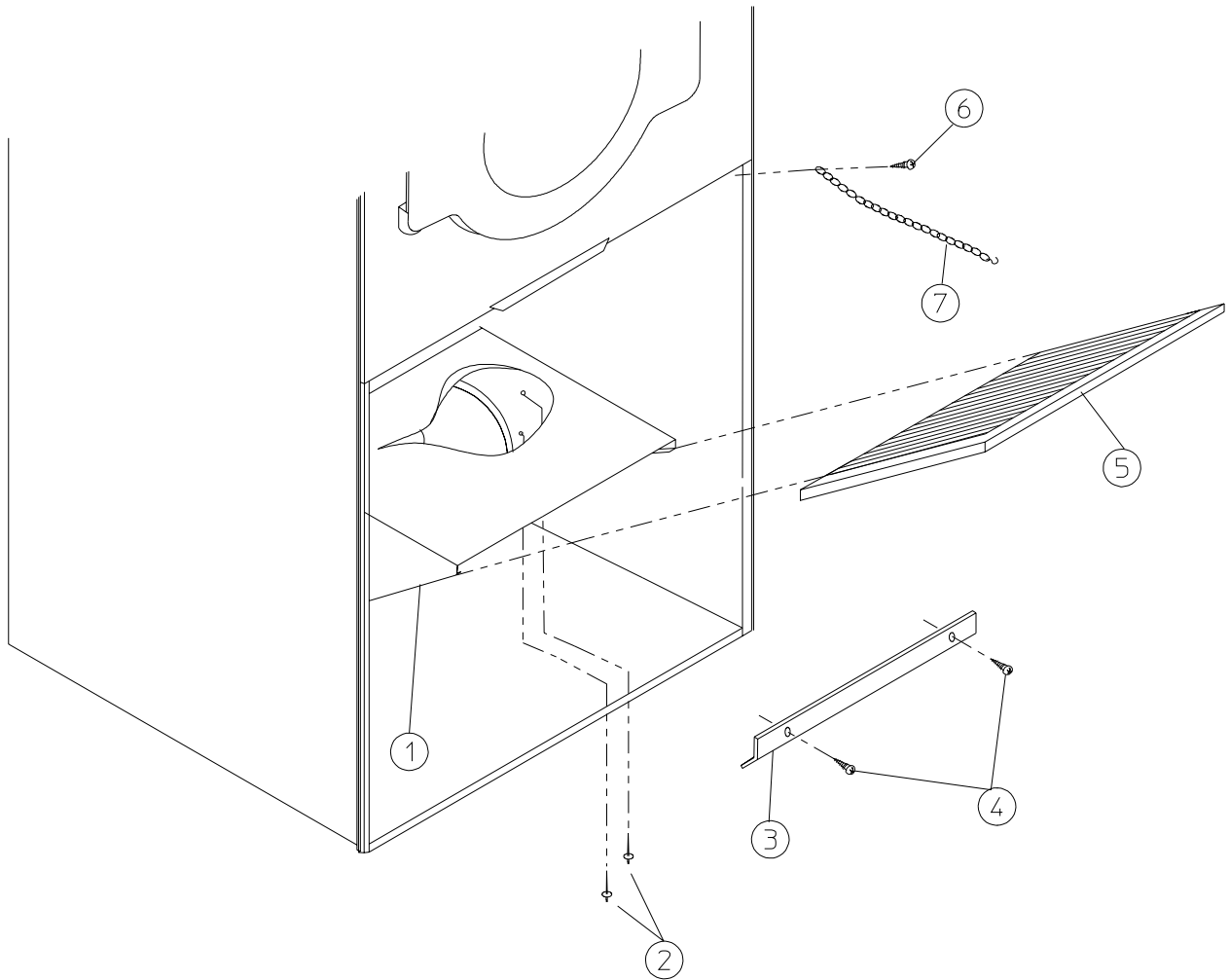
* Specify color when ordering.



<u>Illus. No.</u>	<u>Part No.</u>	<u>Qty.</u>	<u>Description</u>
1	150006	2	#6-32 x 7/8" Phillips Pan Head Machine Screw
2	152013	2	#6-32 Hex Nut
3	153010	2	#6 Star Washer
4	137005	1	Single-Pole Door Switch (SDS)
5	150445	4	1/4-20 x 3/4" Hinge Block Screw
6	882866	1	Black Main Door Switch Housing ONLY
7	150301	2	#8-18 x 7/16" Phillips Pan Head TEK Screw
8	882882	1	Ivory Bottom Hinge Block with Hinge Block Screws (includes illus. nos. 5 and 8)
9	882883	1	Ivory Top Hinge Block with Hinge Block Screws (includes illus. nos. 5 and 9)
10	153031	1	Nylon Washer



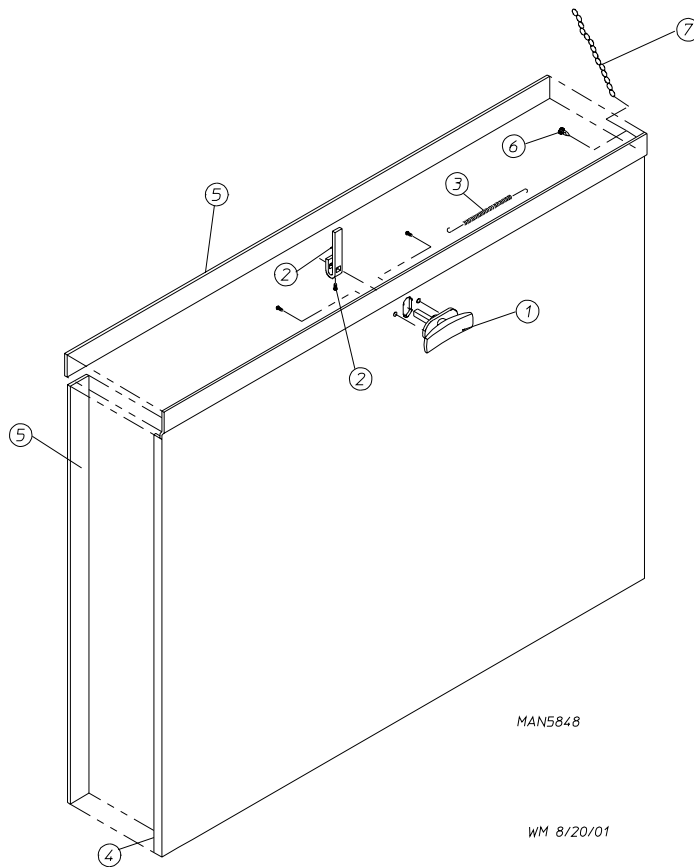
<u>Illus. No.</u>	<u>Part No.</u>	<u>Qty.</u>	<u>Description</u>
1	152013	2	#6-32 Hex Nut
2	153008	2	#6 Lock Washer
3	137005	1	Single-Pole Door Switch (SDS)
4	121028	2	Insulated Female Terminal
5	154281	2	3/8" Standard Nylon Spacers
6	800448	1	12-1/2" Stainless Steel Main Door Hinge Assembly (includes illus. nos. 6 and 7)
7	153565	2	#6-32 x 1" Self Clinching Stud
8	313218	1	Main Door Switch Housing
9	150201	2	#10-32 x 1/4" Phillips Pan Head Screw
10	121405	1	Rubber Grommet



MAN0107

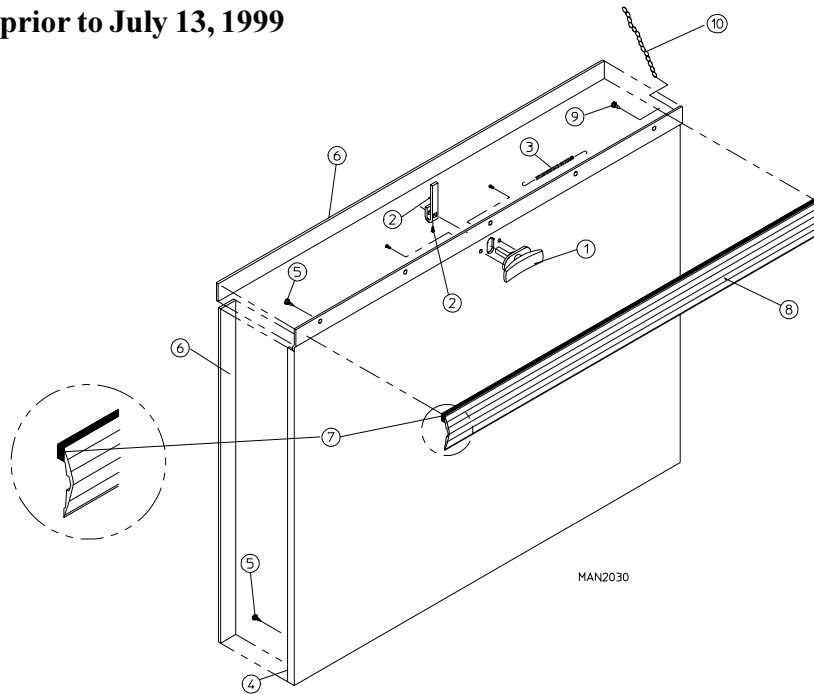
<u>Illus. No.</u>	<u>Part No.</u>	<u>Qty.</u>	<u>Description</u>
1	800402	1	Lint Trap Assembly Complete (includes illus. nos. 1, 3, 4, and 5)
	800404	1	Lint Trap ONLY
	800407	1	Reversing Lint Trap Assembly Complete (includes illus. nos. 1, 3, 4, and 5)
	800406	1	Reversing Lint Trap ONLY
2	154200	7	5/32" Pop Rivet
3	304101	1	Lint Screen Holder ONLY
4	150300	3	#10-16 x 1/2" Hex Washer TEK Screw
5	800501	1	Lint Screen ONLY
6	150419	2	#6 x 1/2" Tamperproof TEK Screw
7	108120	1	Chain For Drop Lint Door (10-1/2" length)
-	150418	1	Tamperproof Screw Hand Driver

For OPL (Non-Coin) Models Mfd. as of July 13, 1999



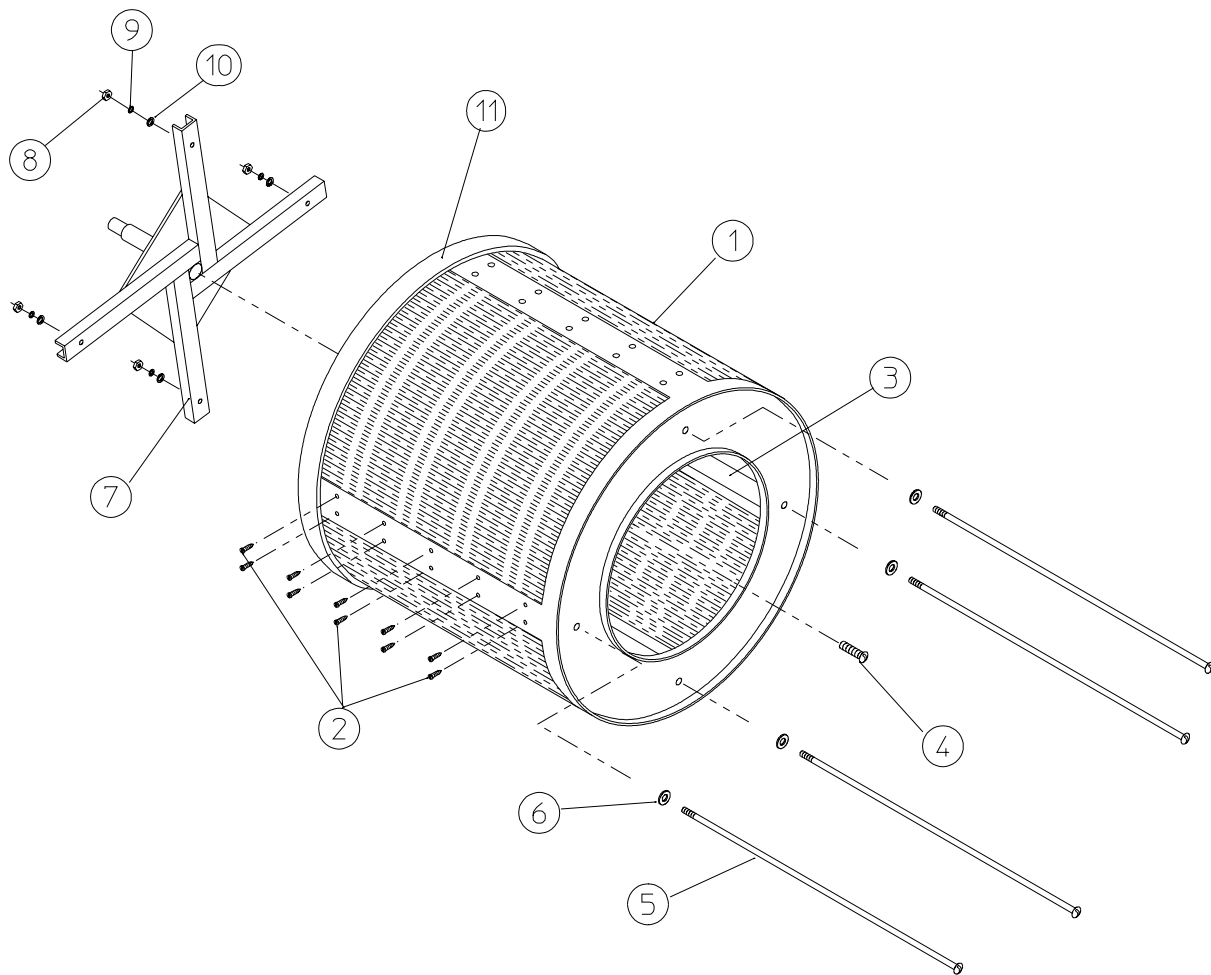
<u>Illus. No.</u>	<u>Part No.</u>	<u>Qty.</u>	<u>Description</u>
1	800150	1	Knob Latch Kit Assembly (includes illus. nos. 1 and 2)
	160001	1	Lock Assembly with Key (for coin models Only)
	160103	1	Key ONLY
	160003	1	Dummy Lock ONLY (for non-coin models)
	160104	1	Key ONLY
2	160008	1	Lock Cam and Dummy Lock
	160009	1	Knob Latch Adjustable Cam ONLY
	150425	1	#12-24 x 3/8" Round Head Machine Screw ONLY (screw for knob latch adjustable cam)
3	157000	1	Drop Lint Door Spring
4	883098	1	Insulated Drop Lint Door Assembly (includes illus. nos. 4 and 5)
5	117604	7	Neoprene Sponge Tape (sold by the foot)
6	150419	2	#6 x 1/2" Tamperproof TEK Screw
7	108120	1	Chain For Drop Lint Door (10-1/2" length)
--	150418	1	Tamperproof Screw Hand Driver

For Models Mfd. prior to July 13, 1999



<u>Illus. No.</u>	<u>Part No.</u>	<u>Qty.</u>	<u>Description</u>
1	800150	1	Knob Latch Kit Assembly (includes illus. nos. 1 and 2)
	160200	1	Knob Latch ONLY with Two (2) Screws (without cam)
	160003	1	Dummy Lock ONLY (for non-coin models)
	160104	1	Key ONLY (for dummy lock)
2	160008	1	Lock Cam and Dummy Lock
	160009	1	Knob Latch Adjustable Cam ONLY
	150425	1	#12-24 x 3/8" Round Head Machine Screw ONLY (screw for knob latch adjustable cam)
3	157000	1	Drop Lint Door Spring
4	800217*	1	Insulated Drop Lint Door Assembly (includes illus. nos. 4 through 8)
	800235*	1	Drop Lint Door Assembly (includes illus. nos. 4 through 8)
	800241	1	Stainless Steel Insulated Drop Lint Drawer Assembly (includes illus. nos. 4 through 8)
5	150201	6	#10-32 x 1/4" Phillips Pan Head TEK Screw
6	117600	7	Noise Suppressor Tape (sold by the foot)
7	117603	3	Suppressor Tape/Gasket (sold by the foot) (for models mfd. as of February 8, 1995)
	102307	3	Trim Bumper Gasket (sold by the foot) (for models mfd. prior to February 8, 1995)
8	180212	1	Mid Trim/Kick Plate - Gray (8-1/4" length)
9	150419	2	#6 x 1/2" Tamperproof TEK Screw
10	108120	1	Chain For Drop Lint Door (10-1/2" length)
--	150418	1	Tamperproof Screw Hand Driver

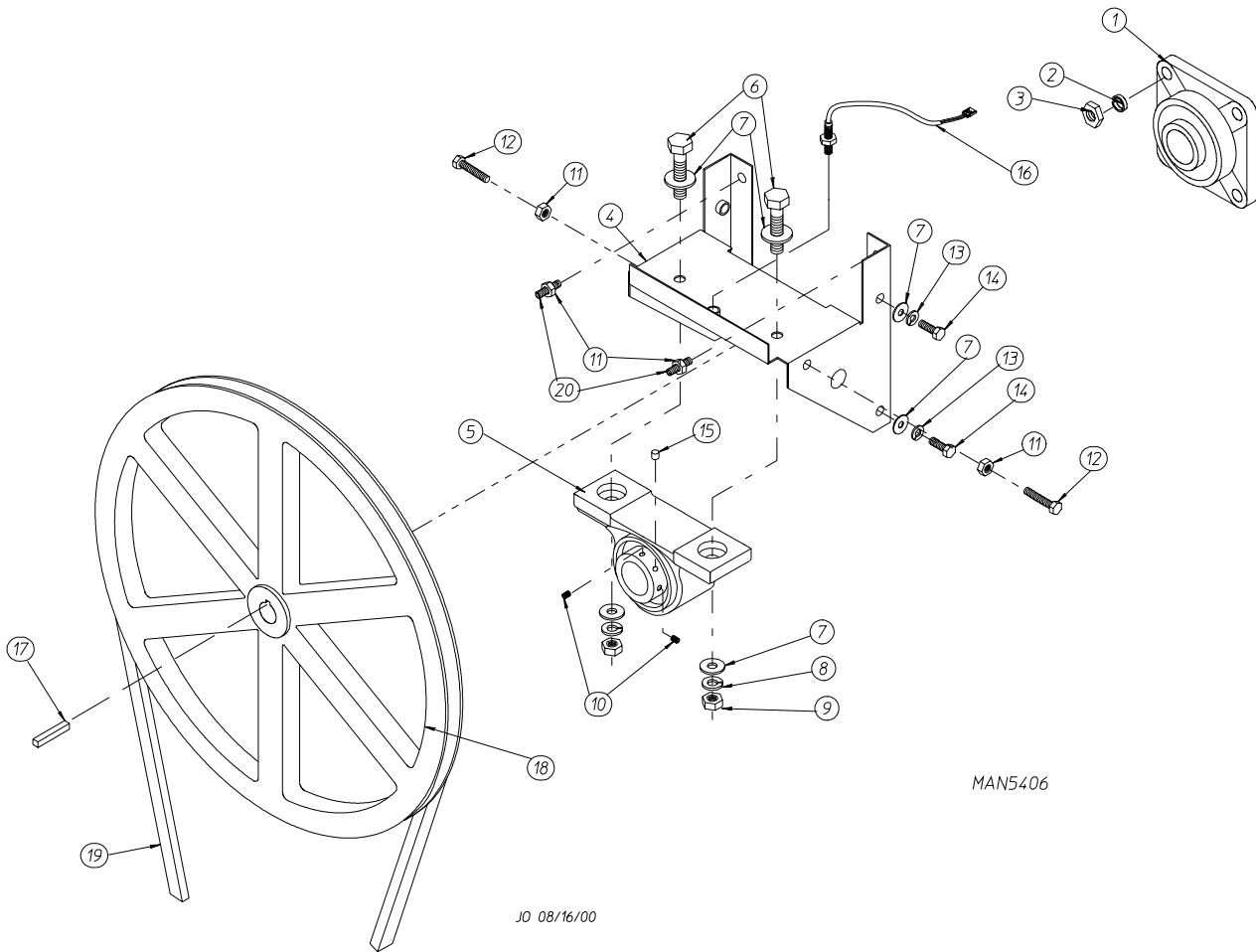
* Specify color when ordering.



MAN0251

<u>Illus. No.</u>	<u>Part No.</u>	<u>Qty.</u>	<u>Description</u>
1*	800706	1	Basket (tumbler) ONLY without Felt Collar
	800856	1	Stainless Steel Basket (tumbler) ONLY without Felt Collar
	800922	1	1-3/4" Non-Reversing Basket (tumbler) and Support Assembly Complete (includes illus. nos. 1 through 10) For Models Mfd. as of January 4, 1993
	800806	1	Non-Reversing Basket (tumbler) and Support Assembly Complete (includes illus. nos. 1 through 10) For Models Mfd. prior to January 4, 1993
	800894	1	Stainless Steel Non-Reversing Basket (tumbler) and Support Assembly Complete (includes illus. nos. 1 through 10) For Models Mfd. as of January 4, 1993
	800866	1	Stainless Steel Non-Reversing Basket (tumbler) and Support Assembly Complete (includes illus. nos. 1 through 10) For Models Mfd. prior to January 4, 1993
	800818	1	Reversing Basket (tumbler) and Support Assembly Complete (includes illus. nos. 1 through 10)
	800875	1	Stainless Steel Reversing Basket (tumbler) and Support Assembly Complete (includes illus. nos. 1 through 10)
2	150413	40	#10-16 x 1/2" TORX Crimptite Screw (for models mfd. as of August of 1998)
	150415	40	#10-16 x 1/2" Phillips Round Head Crimptite Screw (for models mfd. prior to August 3 1998)
	150429	1	TORX Hand Driver
3	301301	4	Basket (tumbler) Rib ONLY
	301401	4	Stainless Steel Basket (tumbler) Rib ONLY
4	150500	1	5/16-18 x 3/4" Socket Button Head Screw
5	100915	4	3/8-16 x 31" Tie Rods
6	153004	4	3/8 Flat Washer
7	800613	1	Non-Reversing Basket (tumbler) Support (for models mfd. as of January 4, 1993)
	800606	1	Non-Reversing Basket (tumbler) Support (for models mfd. prior to January 4, 1993)
	800615	1	Reversing Basket (tumbler) Support ONLY
8	152005	4	3/8-16 Hex Nut
9	153005	4	3/8 Lock Washer
10	153004	4	3/8 Flat Washer
11	116002	1	Felt Collar ONLY
--	401010	1	#847 Adhesive For Felt Collar (5.0 oz. tube)

* Felt collar *is not included* and **must be** ordered separately.



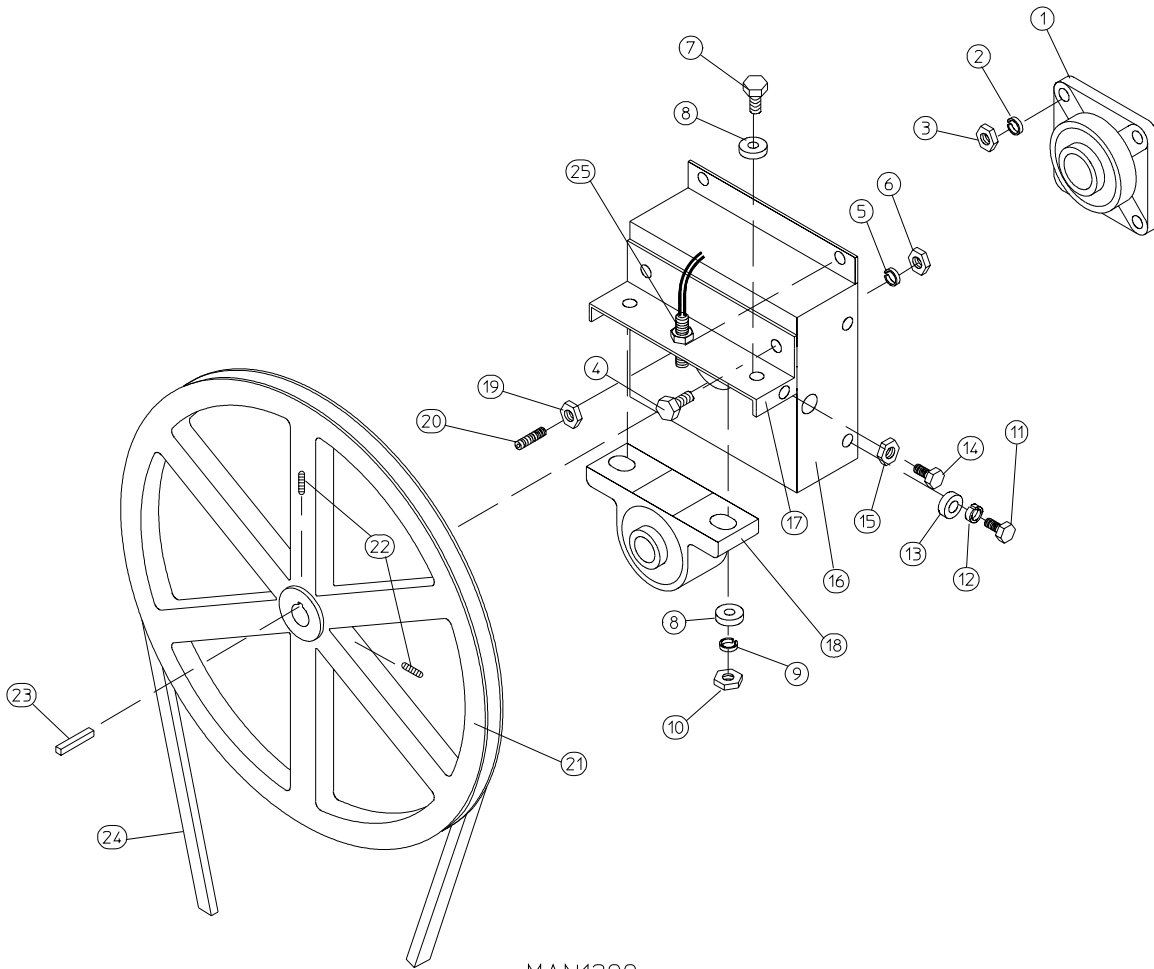
MAN5406

JO 08/16/00

For Models Mfd. as of April 20, 1999

<u>Illus. No.</u>	<u>Part No.</u>	<u>Qty.</u>	<u>Description</u>
1	880220	1	1-3/8" Flange Bearing ONLY
2	153005	4	3/8" Lock Washer
3	152005	4	3/8-16 Hex Nut
4	882544	1	Pillow Block Bearing Assembly Complete (includes illus. nos. 4 through 14 and 20)
	882545	1	Bearing Assembly Complete with Rotational Sensor (includes illus. nos. 4 through 16 and 20)
	882542	1	Bearing Support ONLY
	882543	1	Bearing Support ONLY (with rotational sensor)
5	880202	1	1-3/8" Pillow Block Bearing ONLY
	880779	1	1-3/8" Pillow Block Bearing Assembly (with rotational sensor)
6	150601	2	3/8-16 x 2" Hex Bolt
7	153004	8	3/8" Flat Washer
8	153005	2	3/8" Lock Washer
9	152005	2	3/8-16 Hex Nut
10	154326	2	5/16-24 x 3/8" Black Setscrew
11	152004	4	5/16-18 Hex Nut
12	150621	2	5/16-18 x 1-1/2" Tap Bolt
13	153002	4	5/16" Lock Washer
14	150501	4	5/16-18 x 3/4" Tap Bolt
15	102120	1	Sintered 8 Magnet
	401010	1	#847 Construction Mastic
16	824807	1	Rotational Sensor Assembly
17	100713	1	1/4" x 1/4" x 7/8" Key
18	101100	1	18" Pulley
19	100108	1	5L-680 V-Belt (for non-reversing models Only) For Models Mfd. as of April 6, 2001
	100106	1	5L-690 V-Belt (for non-reversing models Only) For Models Mfd. prior to April 6, 2001
20	150610	2	5/16-18 x 1-1/2" Allen Setscrew

For Models Mfd. prior to April 20, 1999



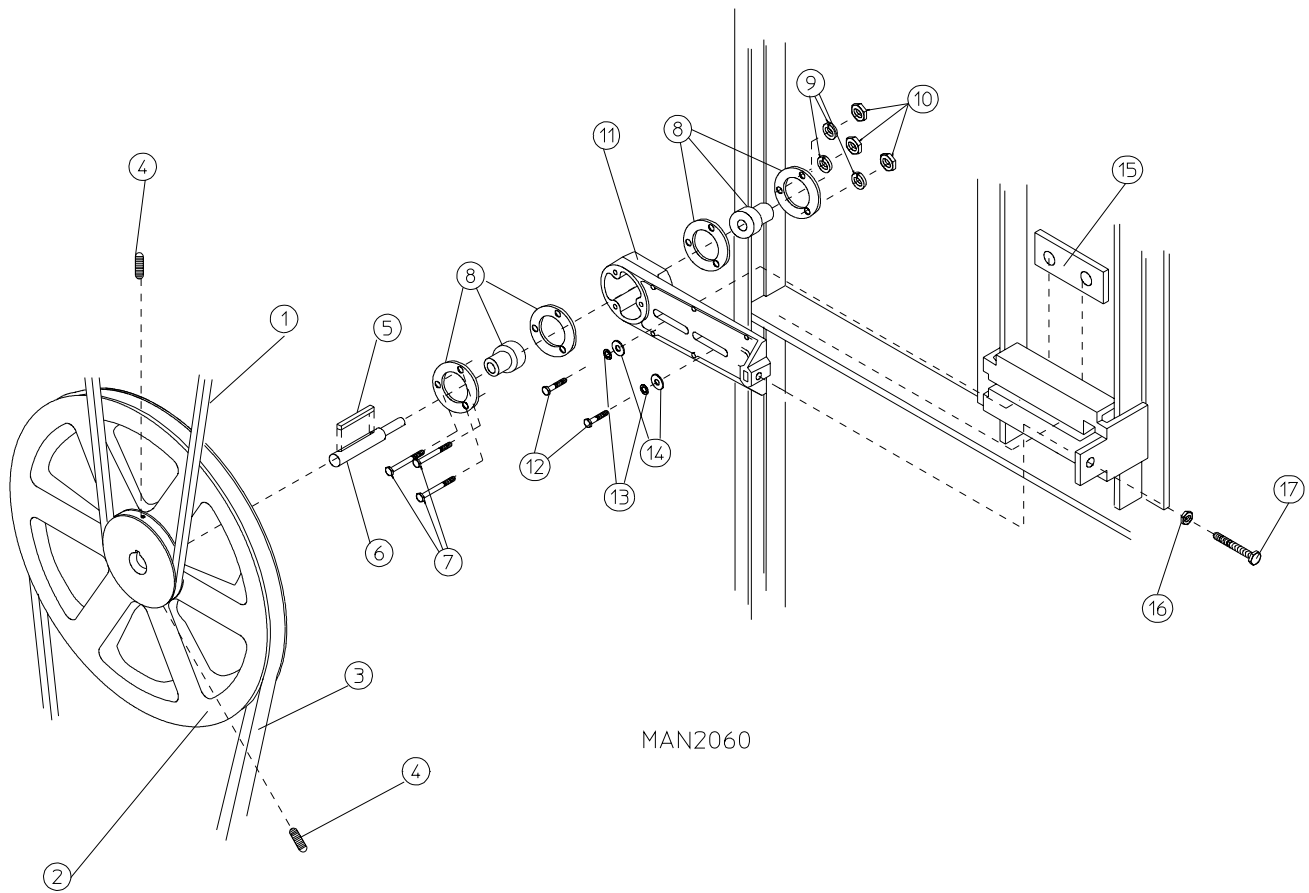
MAN1299

<u>Illus. No.</u>	<u>Part No.</u>	<u>Qty.</u>	<u>Description</u>
1	880220	1	1-3/4" Flange Bearing with Nylon Setscrews (for ALL reversing models and non-reversing models mfd. as of January 4, 1993)
	880203	1	1-3/8" Flange Bearing ONLY (for non-reversing models Only) For Models Mfd. prior to January 4, 1993
2	153025	4	9/16" Lock Washer (for ALL reversing models and non-reversing models mfd. as of January 4, 1993)
	153005	4	3/8" Lock Washer (for non-reversing models mfd. prior to January 4, 1993)
3	152050	4	9/16-12 Hex Nut (for ALL reversing models and non-reversing models mfd. as of January 4, 1993)
	152005	4	3/8-16 Hex Nut (for non-reversing models mfd. prior to January 4, 1993)

For Models Mfd. prior to April 20, 1999

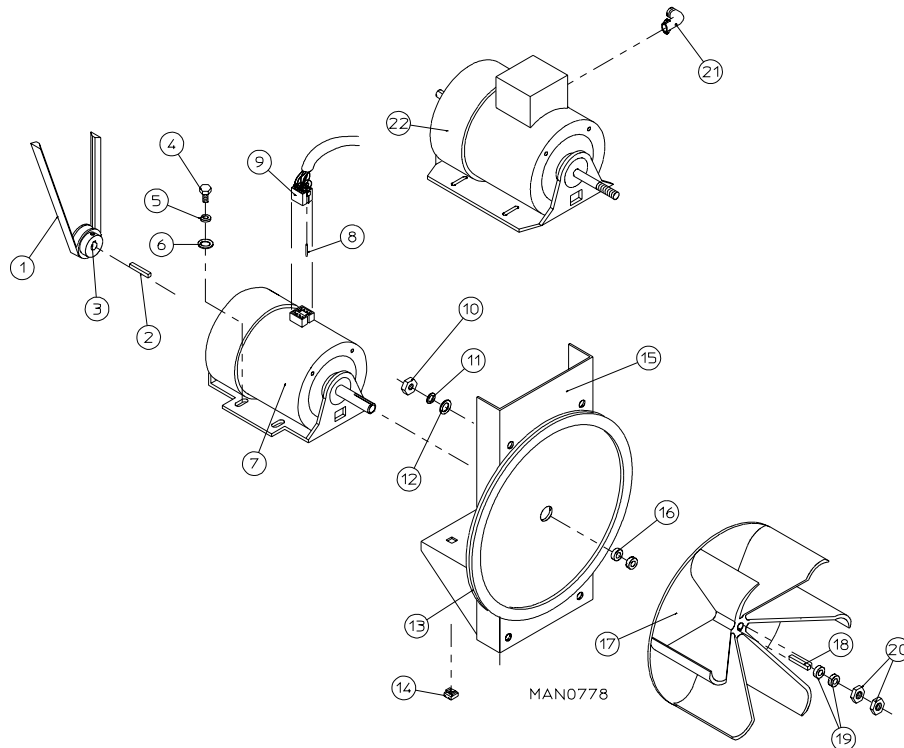
<u>Illus. No.</u>	<u>Part No.</u>	<u>Qty.</u>	<u>Description</u>
4	150508	2	3/8-16 x 3/4" Hex Head Machine Bolt
5	153005	2	3/8" Lock Washer
6	152005	2	3/8-16 Hex Nut
7	150600	2	3/8-16 x 1-1/2" Hex Head Machine Bolt
8	153004	*	3/8" Flat Washer
9	153005	2	3/8" Lock Washer
10	152005	2	3/8-16 Hex Nut
11	150501	4	5/16-18 x 3/4" Hex Head Machine Bolt
12	153002	4	5/16" Lock Washer
13	153001	4	5/16" Flat Washer
14	150621	2	5/16-18 x 1-1/2" Hex Head Machine Bolt
15	152004	2	5/16-18 Hex Nut
16	801101	1	1-3/8" Bearing Box Assembly Complete (includes illus. nos. 4 through 20)
			For Models Mfd. without Rotational Sensor
	801103	1	1-3/8" Bearing Box and Support ONLY (includes illus. nos. 4, 5, 6, 16, and 17)
	801105	1	1-3/8" Bearing Box ONLY
17	801104	1	Pillow Block Bearing Support ONLY
18	880779	1	1-3/8" Pillow Block Bearing Assembly with Magnet (for models mfd. with optional rotational sensor)
	880202	1	1-3/8" Pillow Block Bearing with Nylock Setscrew (for models mfd. without optional rotational sensor)
19	152004	2	5/16-18 Hex Nut
20	150608	2	5/16-18 x 1-1/4" Allen Setscrew
21	101100	1	18" Pulley (for non-reversing models Only)
	101118	1	18-3/4" Pulley (for reversing models Only)
	101119	1	1-3/8" Taper Lock Hub (key not included) For Reversing Models ONLY
	100735	1	Shaft Key (for taper lock hub)
22	154301	2	5/16-18 x 5/16" Allen Setscrew
23	100713	1	1/4" x 1/4" x 7/8" Key
24	100106	1	5L-690 V-Belt (basket [tumbler] to idler assembly)
25	824807	1	Rotational Sensor Assembly

* As required.



MAN2060

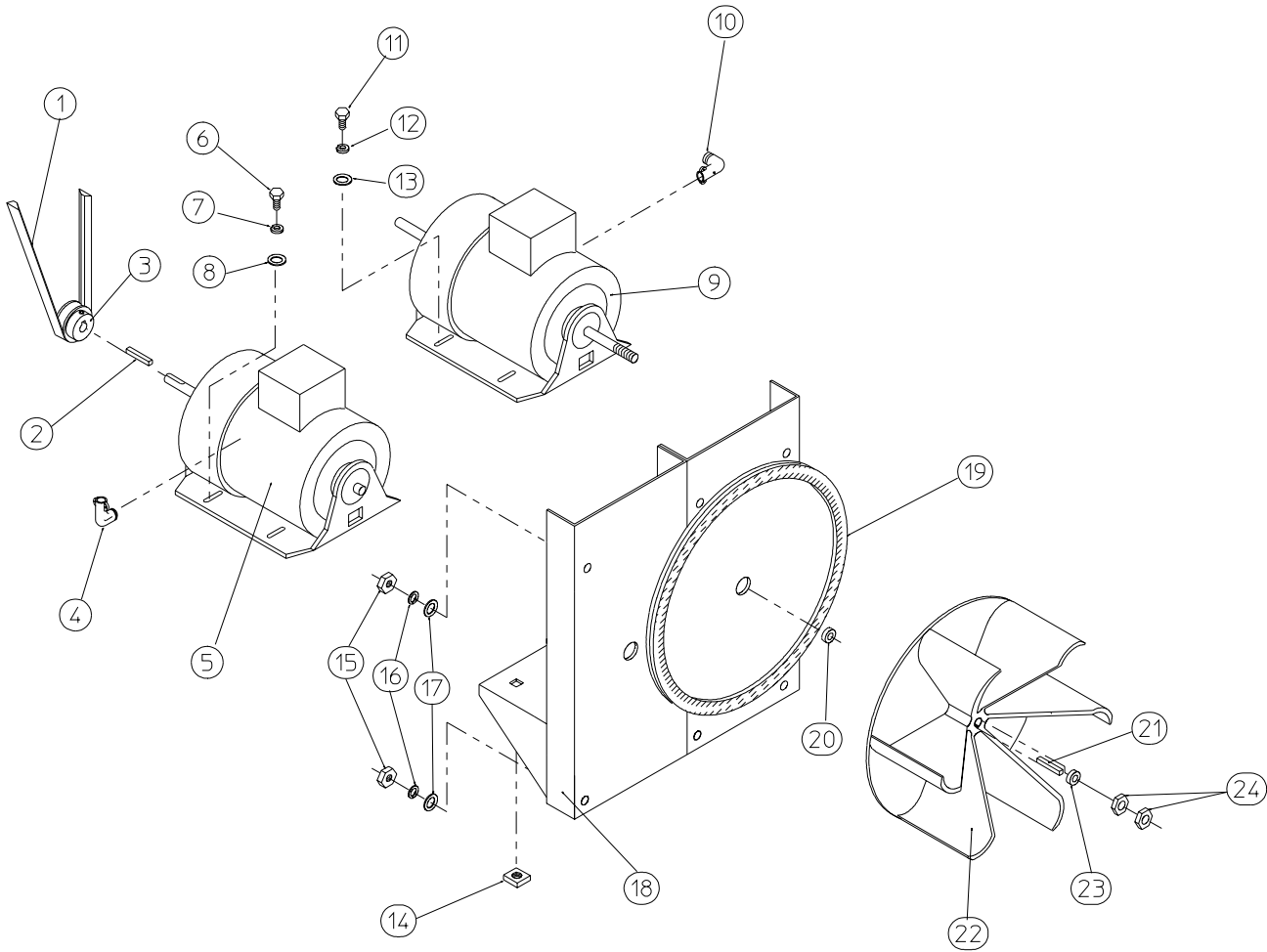
<u>Illus. No.</u>	<u>Part No.</u>	<u>Qty.</u>	<u>Description</u>
1	100108	1	5L-680 V-Belt (idler to basket [tumbler]) For Non-Reversing Models ONLY (for models mfd. as of April 6, 2001)
	100106	1	5L-690 V-Belt (idler to basket [tumbler]) (for reversing models mfd. as of April 6, 2001) (for non-reversing models mfd. prior to April 6, 2001)
2	101140	1	14" x 3" Compound Pulley
3	100109	1	4L-650 V-Belt (idler to motor) For Non-Reversing and Reversing Models Mfd. as of April 6, 2001
	100114	1	4L-630 V-Belt (idler to motor) For Non-Reversing Models Mfd. prior to April 6, 2001
4	154301	2	5/16-18 x 1" Allen Setscrew
5	100705	1	3/16" x 3/16" x 1-3/8" Key
6	301850	1	5/8" x 3/4" Idler Shaft ONLY
7	150529	3	1/4-20 x 2-1/4" Carriage Bolt
8	880214	2	5/8" Flange Bearing
9	153007	3	1/4" Lock Washer
10	152002	3	1/4-20 Hex Nut
11	801007	1	Idler Bearing Assembly Complete (includes illus. nos. 5 through 17)
12	150617	2	3/8-16 x 1" Hex Head Machine Bolt
13	153005	2	3/8" Lock Washer
14	153004	2	3/8" Flat Washer
15	801009	1	Idler Square Washer
16	152004	1	5/16-18 Hex Nut
17	150509	1	5/16-18 x 3" Hex Head Machine Bolt



<u>Illus. No.</u>	<u>Part No.</u>	<u>Qty.</u>	<u>Description</u>
1	100109	1	4L-650 V-Belt (to idler assembly) For Models Mfd. as of April 6, 2001
	100114	1	4L-630 V-Belt (to idler assembly) For Models Mfd. prior to April 6, 2001
2	100701	1	3/16" x 3/16" x 1" Key
3	101133	1	5/8" x 2-1/4" Motor Pulley (60 Hz Only)
	101130	1	5/8" x 2-1/2" Motor Pulley (50 Hz Only)
4	150501	4	5/16-18 x 3/4" Hex Head Machine Bolt
5	153002	4	5/16" Lock Washer
6	153001	4	5/16" Flat Washer
7	100069	1	3/4 HP 115/230v 1Ø Totally Enclosed, Fan-Cooled (T.E.F.C.) Motor with Plug (56Z frame) For 60 Hz Models ONLY (for models mfd. as of September 14, 1992)
	100068	1	3/4 HP 240v 1Ø Totally Enclosed, Fan-Cooled (T.E.F.C.) Motor with Plug (56Z frame) For 50 Hz Models ONLY (for models mfd. as of September 14, 1992)
8	122701	8	Socket Terminal ONLY
	122801	1	Pin/Socket Extraction Tool
9	137030	1	8-Pin Housing Connector
10	152004	4	5/16-18 Hex Nut
11	153002	4	5/16" Lock Washer
12	153001	4	5/16" Flat Washer
13	117600	4	Noise Suppressor Tape (sold by the foot)
14	154000	4	5/16-18 Tinnerman Nut

<u>Illus. No.</u>	<u>Part No.</u>	<u>Qty.</u>	<u>Description</u>
15	800906	1	Non-Reversing Motor Mount ONLY (56Z frame)
	803774*	1	3/4 HP 115/230v 60 Hz 1Ø Totally Enclosed, Fan-Cooled (T.E.F.C.) Motor Mount Assembly Complete with Plug Motor (includes illus. nos. 3 through 7 and 13 through 20) For Models Mfd. as of September 14, 1992
15	803772*	1	3/4 HP 115/230v 60 Hz 1Ø Non-Reversing Totally Enclosed, Fan-Cooled (T.E.F.C.) Motor Mount Assembly Complete (non-plug type) (includes illus. nos. 3 through 6 and 13 through 22) For Models Mfd. prior to September 14, 1992
	803785	1	3/4 HP 230v 50 Hz 1Ø Totally Enclosed, Fan-Cooled (T.E.F.C.) Motor Mount Assembly Complete with Plug Motor (includes illus. nos. 3 through 7 and 13 through 20) For Models Mfd. as of September 14, 1992
	803778	1	3/4 HP 230v 50 Hz 1Ø Non-Reversing Totally Enclosed, Fan-Cooled (T.E.F.C.) Motor Mount Assembly Complete (non-plug type) (includes illus. nos. 3 through 6 and 13 through 22) For Models Mfd. prior to September 14, 1992
	803771*	1	1/2 HP 208/230/380/460v 60 Hz 3Ø Non-Reversing Totally Enclosed, Fan-Cooled (T.E.F.C.) Motor Mount Assembly Complete (includes illus. nos. 2 through 6 and 13 through 22)
	803776*	1	1/2 HP 208/230/380/460v 50 Hz 3Ø Non-Reversing Totally Enclosed, Fan-Cooled (T.E.F.C.) Motor Mount Assembly Complete (includes illus. nos. 2 through 6 and 13 through 22)
16	153050	1	1/2" S.A.E. Flat Washer
17	100604	1	12-1/2" Impellor with 1/2" Bore
18	100702	1	1/8" x 1/8" x 1-1/2" Key
19	153050	2	1/2" S.A.E. Flat Washer
20	152006	2	1/2-20 Left Hand Jam Nut
21	120200	1	3/8" 90° Connector
22	100033	1	3/4 HP 115/230v 1Ø Totally Enclosed, Fan-Cooled (T.E.F.C.) Motor 56Z Frame (for 60 Hz models Only) For Models Mfd. prior to September 14, 1992
	100034	1	3/4 HP 240v 1Ø Totally Enclosed, Fan-Cooled (T.E.F.C.) Motor 56Z Frame (50 Hz Only) For Models Mfd. prior to September 14, 1992
	100007	1	1/2 HP 208/230/380/460v 3Ø 50/60 Hz Totally Enclosed, Fan-Cooled (T.E.F.C.) Motor

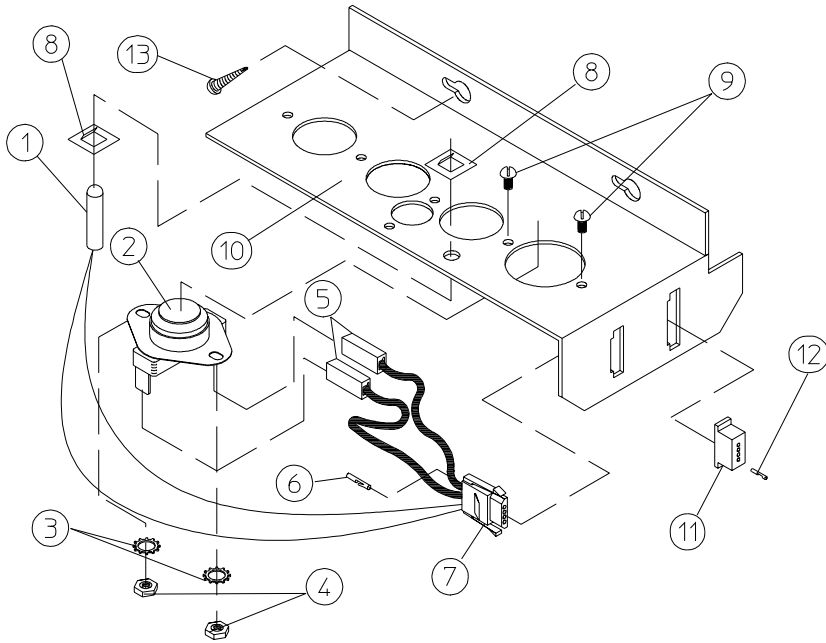
* Specify voltage when ordering.



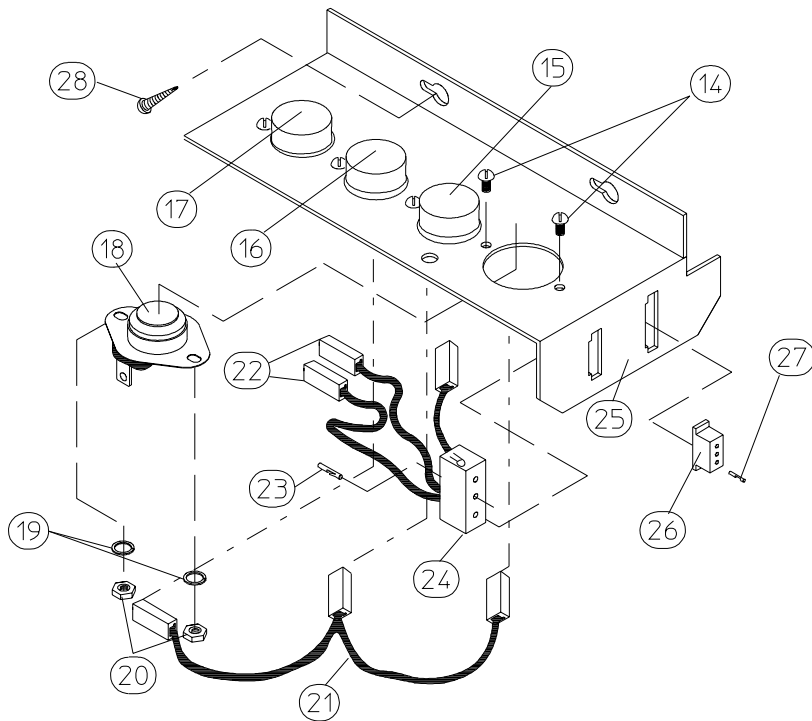
MAN0250

<u>Illus. No.</u>	<u>Part No.</u>	<u>Qty.</u>	<u>Description</u>
1	100109	1	4L-650 V-Belt (to idler assembly) For Models Mfd. as of April 6, 2001
	100114	1	4L-630 V-Belt (to idler assembly) For Models Mfd. prior to April 6, 2001
2	100701	1	3/16" x 3/16" x 1" Key
3	101133	1	5/8" x 2-1/4" Motor Pulley (60 Hz Only)
	101130	1	5/8" x 2-1/2" Motor Pulley (50 Hz Only)
4	120200	1	3/8" x 90° Connector
5	181003	1	1/2 HP 208/230/380/460v 50/60 Hz 3Ø Motor
6	150501	4	5/16-18 x 3/4" Hex Head Machine Bolt
7	153002	4	5/16" Lock Washer
8	153001	4	5/16" Flat Washer
9	100007	1	1/2 HP 208/230/380/460v 50/60 Hz 3Ø Totally Enclosed, Fan-Cooled (T.E.F.C.) Motor (56Z frame)
10	120200	1	3/8" x 90° Connector
11	150501	4	5/16-18 x 3/4" Hex Head Machine Bolt
12	153002	4	5/16" Lock Washer
13	153001	4	5/16" Flat Washer
14	154000	8	5/16" Tinnerman Nut
15	152004	4	5/16" Hex Nut
16	153002	4	5/16" Lock Washer
17	153001	4	5/16" Flat Washer
18	800912	1	Reversing Motor Mount ONLY (56Z frame)
	803993*	1	Reversing Totally Enclosed, Fan-Cooled (T.E.F.C.) Motor Mount Assembly Complete (includes illus. nos. 2 through 14 and 18 through 24) For 60 Hz Models ONLY
	803994*	1	Reversing Totally Enclosed, Fan-Cooled (T.E.F.C.) Motor Mount Assembly Complete (includes illus. nos. 2 through 14 and 18 through 24) For 50 Hz Models ONLY
19	117600	4	Noise Suppressor Tape (sold by the foot)
20	153050	2	1/2" S.A.E. Flat Washer
21	100702	1	1/8" x 1/8" x 1-1/2" Key
22	100604	1	12-1/2" Impellor with 1/2" Bore
23	153050	2	1/2" S.A.E. Flat Washer
24	152006	2	1/2-20 Left Hand Jam Nut

* Specify voltage when ordering.



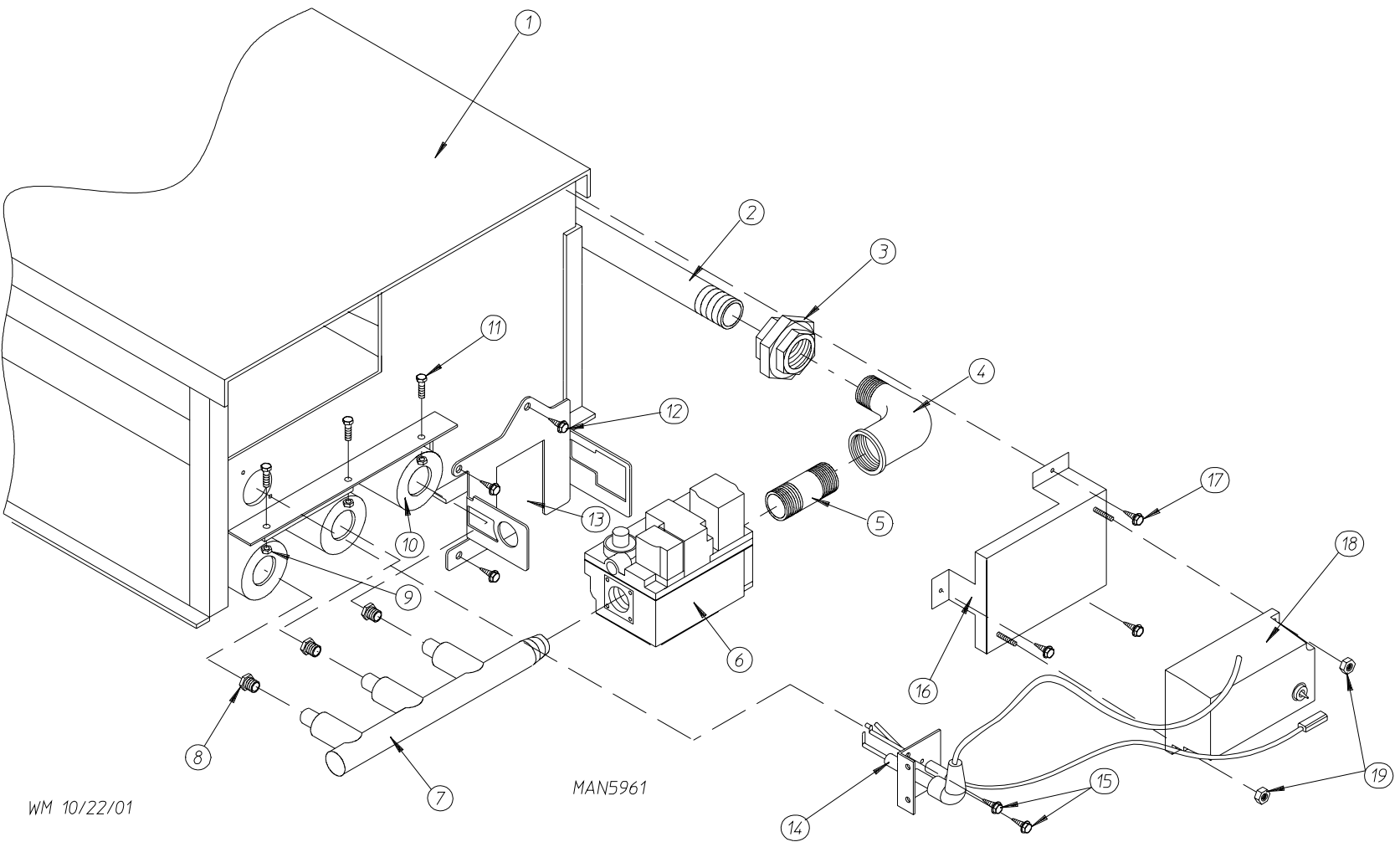
MICROPROCESSOR SENSOR BRACKET ASSEMBLY



MAN0238

NON-COMPUTER SENSOR BRACKET ASSEMBLY

<u>Illus. No.</u>	<u>Part No.</u>	<u>Qty.</u>	<u>Description</u>
1	880251	1	1/4" Temperature Sensor Probe Assembly (includes illus. nos. 1 and 5 through 8)
2	130103	1	225° Large Automatic Reset Thermostat
3	153010	2	#6 Star Washer
4	152000	2	#6-32 Hex Nut
5	121028	2	Insulated Terminal ONLY
6	122701	4	Socket Terminal ONLY
7	122605	1	4-Pin Socket Connector ONLY
8	154007	2	1/4" Tinnerman Push On Fastener
9	150005	2	#6-32 x 1/4" Round Head Machine Screw
10	801425	1	Microprocessor Sensor Bracket Assembly Complete (includes illus. nos. 1 through 10)
	305007	1	Universal Sensor Bracket ONLY
11	122604	1	4-Pin Connector ONLY
12	122700	4	Pin Terminal ONLY
13	150301	2	#8-18 x 7/16" Phillips Pan Head TEK Screw
14	150005	5	#6-32 x 1/4" Round Head Machine Screw
15	130111	1	130° Large Thermostat
16	130100	1	150° Large Thermostat
17	130103	1	225° Large Automatic Reset Thermostat
18	130101	1	180° Large Thermostat
19	153010	5	#6 Star Washer
20	152000	5	#6-32 Hex Nut
21	840065	1	Sensor Jumper (4) ONLY
22	121028	8	Insulated Terminal ONLY
23	122701	4	Socket Terminal ONLY
24	122605	1	4-Pin Socket Connector ONLY
	840062	1	Sensor (4) Bracket Harness Assembly (includes illus. nos. 22, 23, and 24)
25	801418	1	Non-computer Sensor (4) Bracket Assembly Complete with Thermostats (includes illus. nos. 14 through 25)
	305007	1	Universal Sensor Bracket ONLY
26	122604		4-Pin Connector ONLY
27	122700	4	Pin Terminal ONLY
	122801	1	Pin/Socket Extraction Tool
28	150301	2	#8-18 x 7/16" Phillips Pan Head TEK Screw



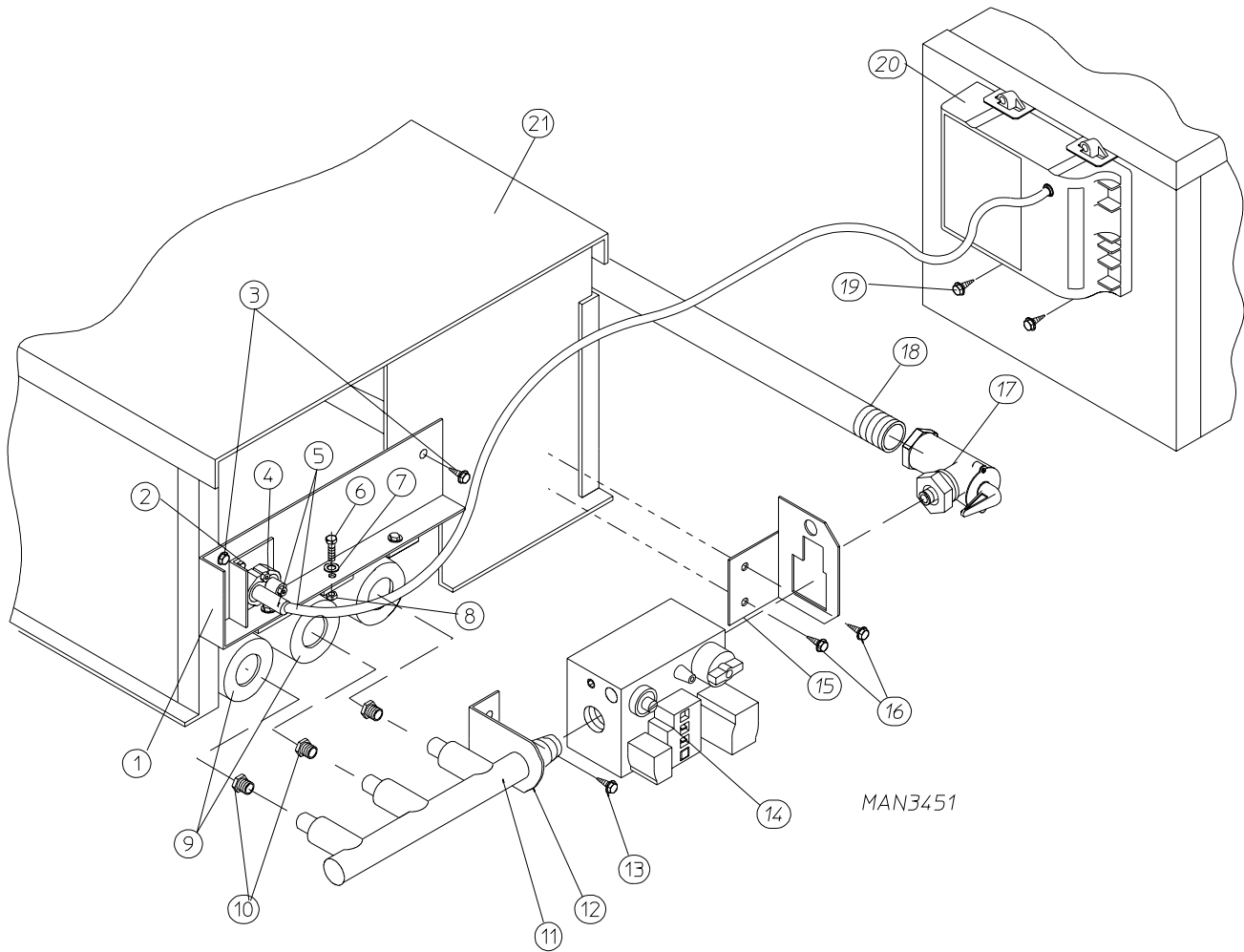
For Models Mfd. as of April 10, 2000

<u>Illus. No.</u>	<u>Part No.</u>	<u>Qty.</u>	<u>Description</u>
1	850863	1	Heat Reclaimer Burner Box ONLY
	883200**	1	Heat Reclaimer Natural Gas Burner Box Assembly Complete Less Orifice
	883198**	1	Heat Reclaimer Liquid Propane (L.P.) Burner Box Assembly Complete Less Orifice
	850852	1	Burner Box ONLY
	882870*	1	Natural Gas Burner Box Assembly Complete Less Orifice
	882873*	1	Liquid Propane (L.P.) Burner Box Assembly Complete Less Orifice
2	142809	1	1/2" x 29-1/8" Pipe
3	142600	1	1/2" Black Union
4	142506	1	1/2" x 1/2" Street Elbow
5	142707	1	1/2" x 1-1/2" Black Iron Nipple
6	128927	1	24 VAC 1/2" Gas Valve (natural gas)
	140411	1	1/2" Valve Conversion Kit (liquid propane [L.P])
	880960	1	1/2" 24 VAC Direct Spark Ignition (DSI) Liquid Propane (L.P.) Gas Valve Assembly
7	141232	1	3-Port 1/2" Manifold
8	140820	3	#29 Natural Gas Burner Orifice (non-heat reclaimer)
	140804	3	#48 Liquid Propane (L.P.) Burner Orifice (non-heat reclaimer)
	140856	2	#23 Natural Gas Burner Orifice (for heat reclaimer models Only)
	140810	2	#42 Liquid Propane (L.P.) Burner Orifice (for heat reclaimer models Only)
9	151001	3	#8-32 Pal Nut
10	141105	3	Burner Tube
11	150103	3	#8-32 x 1/2" Pan Head Machine Screw
12	150309	5	#10-16 x 1/2" Hex Head Screw
13	318716	1	Gas Valve Bracket
14	809309	1	Ignitor Flame-Probe Assembly with Leads
15	150300	2	#10-16 x 1/2" Hex Washer TEK Screw
16	810030	1	Direct Spark Ignition (DSI) Module Mounting Bracket
17	150300	3	#10-16 x 1/2" Hex Washer TEK Screw
18	128935	1	Direct Spark Ignition (DSI) Module with Three (3) Retries
19	152013	2	#6-32 Hex Nut

* Contact factory for elevations over 2,000 feet.

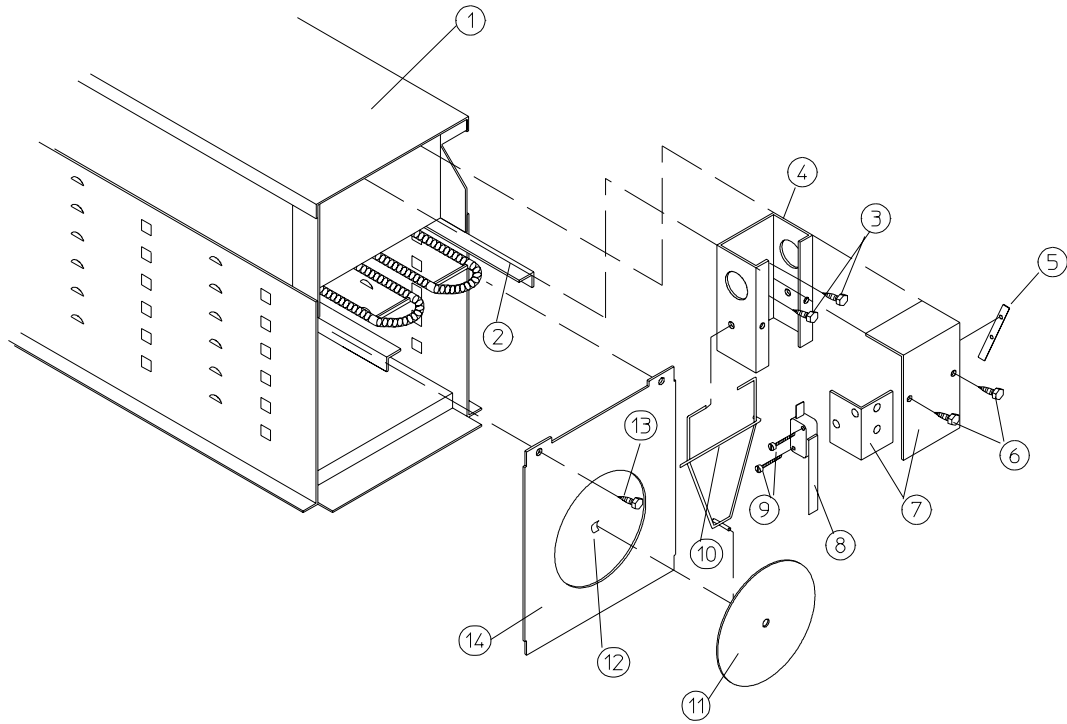
** Burner orifices *are not included* and **must be** ordered separately.

For Models Mfd. prior to April 10, 2000

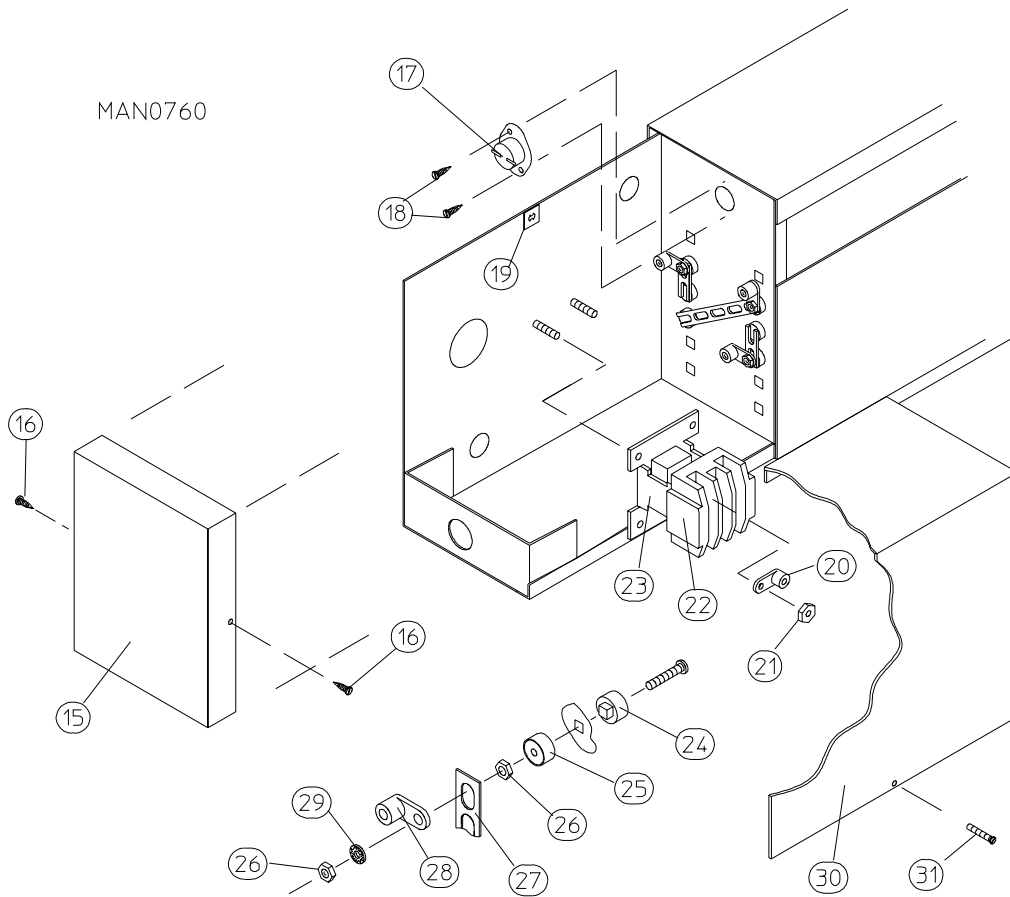


 For Models Mfd. prior to April 10, 2001

<u>Illus. No.</u>	<u>Part No.</u>	<u>Qty.</u>	<u>Description</u>
1	318030	1	Direct Spark Ignition (DSI) Burner Shield (2-tube) For Heat Reclaimer Models ONLY
	318104	1	Direct Spark Ignition (DSI) Burner Shield (3-tube) For Non-Heat Reclaimer Models ONLY
2	150300	2	#10-16 x 1/2" Hex Washer TEK Screw
3	150415	2	#10-16 x 1/2" Phillips Round Head Crimptite Screw
4	128915	1	Direct Spark Ignition (DSI) Ignitor/Flame-Probe Assembly
	880134	1	Ignitor/Flame-Probe Kit Assembly (includes illus. nos. 4, 5, and 6)
5	880330	1	High Voltage (HV) Wire and Connector Assembly
6	150103	2 or 3	#8-32 x 1/2" Pan Head Machine Screw
7	153000	2 or 3	#8 Steel Burr
8	151001	2 or 3	#8-32 Pal Nut
9	141105	2 or 3	Large Tube Burner ONLY
10	-----	2 or 3	Burner Orifice (refer to Direct Spark Ignition [DSI] Burner Assembly Specifications on page 52)
11	141230	1	1/2" Direct Spark Ignition (DSI) Manifold (2-port) For Heat Reclaimer Models ONLY
	141232	1	1/2" Direct Spark Ignition (DSI) Manifold (3-port) For Non-Heat Reclaimer Models ONLY
12	318700	1	Pipe Bracket (bent)
13	150300	2	#10-16 x 1/2" Hex Washer TEK Screw
14	128927	1	1/2" 24 VAC Redundant Gas Valve (natural gas)
	140411	1	1/2" Valve Conversion Kit (liquid propane [L.P.] gas)
	880960	1	1/2" Direct Spark Ignition (DSI) Gas Valve/Liquid Propane (L.P.) Kit Combination
15	318712	1	GV Pipe Bracket
16	150415	4	#10-16 x 1/2" Phillips Round Head Crimptite Screw
17	881367	1	1/2" Union Shut Off with Tail Piece
18	142809	1	1/2" x 29-1/8" Pipe
19	150299	4	#10 x 1" Hex Washer TEK Screw
20	880815	1	ADC Direct Spark Ignition (DSI) Module ONLY
21	850852	1	Non-Heat Reclaimer Burner Box ONLY
	850863	1	Heat Reclaimer Burner Box ONLY
	-----	1	Burner Assembly Complete Less Orifices (refer to Direct Spark Ignition [DSI] Burner Assembly Specifications on page 52)



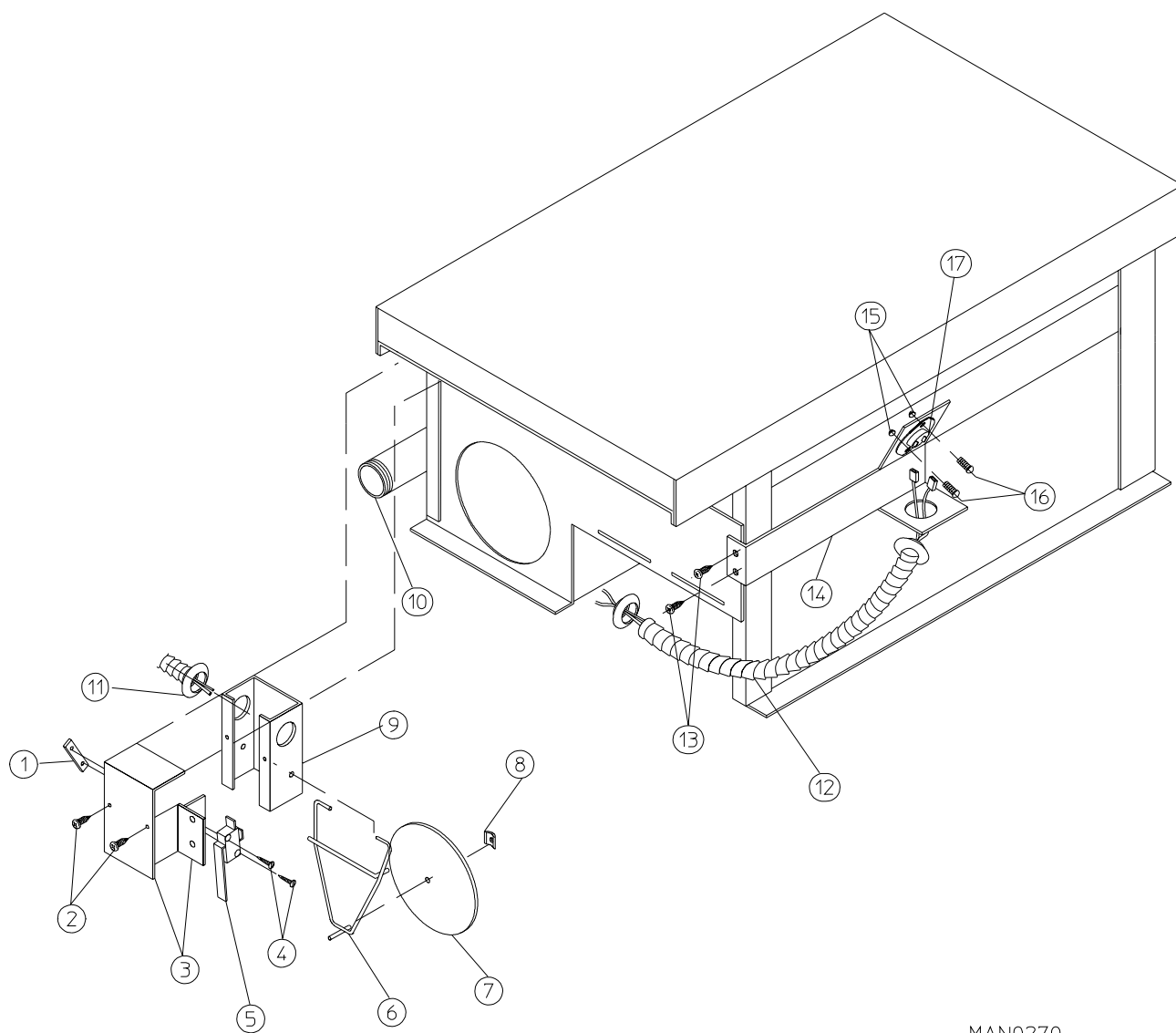
ELECTRIC OVEN (FRONT VIEW)



MAN0760

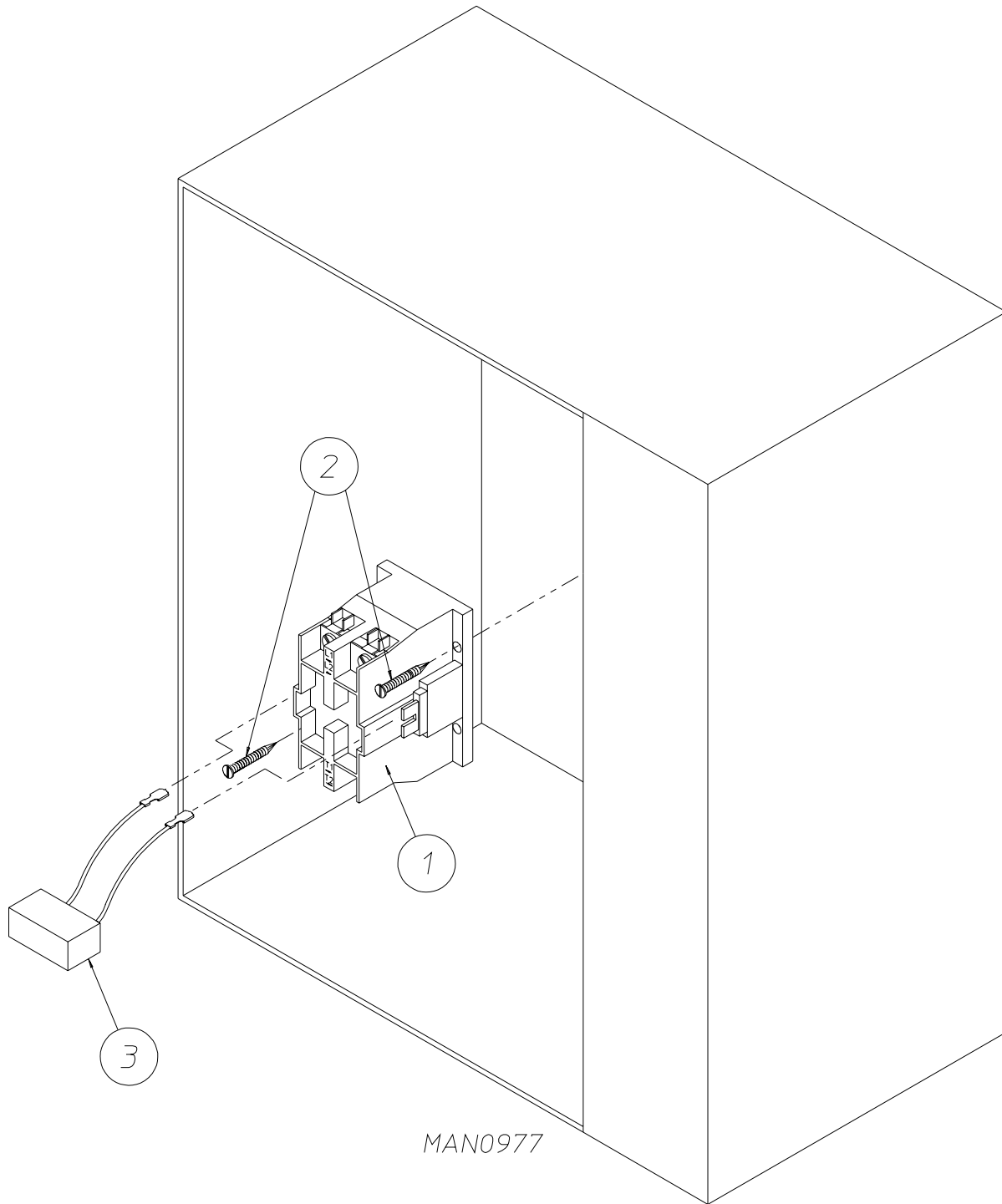
<u>Illus. No.</u>	<u>Part No.</u>	<u>Qty.</u>	<u>Description</u>
1	803006*	1	Large Electric Oven Box ONLY
	-----*	1	Electric Oven Assembly Complete
2	-----*	-	Electric Element
3	150300	2	#10-16 x 1/2" Hex Washer TEK Screw
4	802800	1	Sail Switch Box with Bracket and Cover ONLY
	802801	1	Sail Switch Box Assembly Complete (includes illus. nos. 4 through 12)
5	154004	1	Twin Speed Nut
6	150415	2	#10-16 x 1/2" Phillips Round Head Crimptite Screw
7	802799	1	Sail Switch Box Cover and Bracket ONLY
8	122200	1	Sail Switch ONLY
9	150303	2	#4 x 3/4" Pan Head "A" Machine Screw
10	105500	1	Sail Switch Actuator Rod
11	319202	1	Sail Switch Damper (flat)
12	154002	1	1/8" Push On Fastener
13	150300	2	#10-16 x 1/2" Hex Washer TEK Screw
14	803100	1	Electric Oven Front Cover ONLY
15	320611	1	Large Relay Box Cover ONLY
16	150402	2	#10-24 x 5/8" Slotted Truss Head Machine Screw
17	130400	1	290° Hi-Limit
18	150300	2	#10-16 x 1/2" Hex Washer TEK Screw
19	154001	2	#10-24 Speed Nut
20	121010	1	L-70 Ground Lug
21	152014	3	1/4-20 Free Spin Wash Nut
22	-----*	1	Oven Relay
23	-----*	1	Oven Relay Replacement Coil
24	120081	-	Internal Ceramic Insulator (2 per element)
25	120080	-	External Ceramic Insulator (2 per element)
26	152008	-	#10-32 Hex Nut (4 per element)
27	121011*	-	Bus Bar
28	-----*	-	Terminal Lug
29	153009	-	#10 Star Washer (2 per element)
30	320607	1	Large Electric Oven Right Side Cover ONLY
31	150402	2	#10-24 x 5/8" Truss Head Machine Screw

* Refer to **Electric Oven Component Application Chart** on **page 53**.

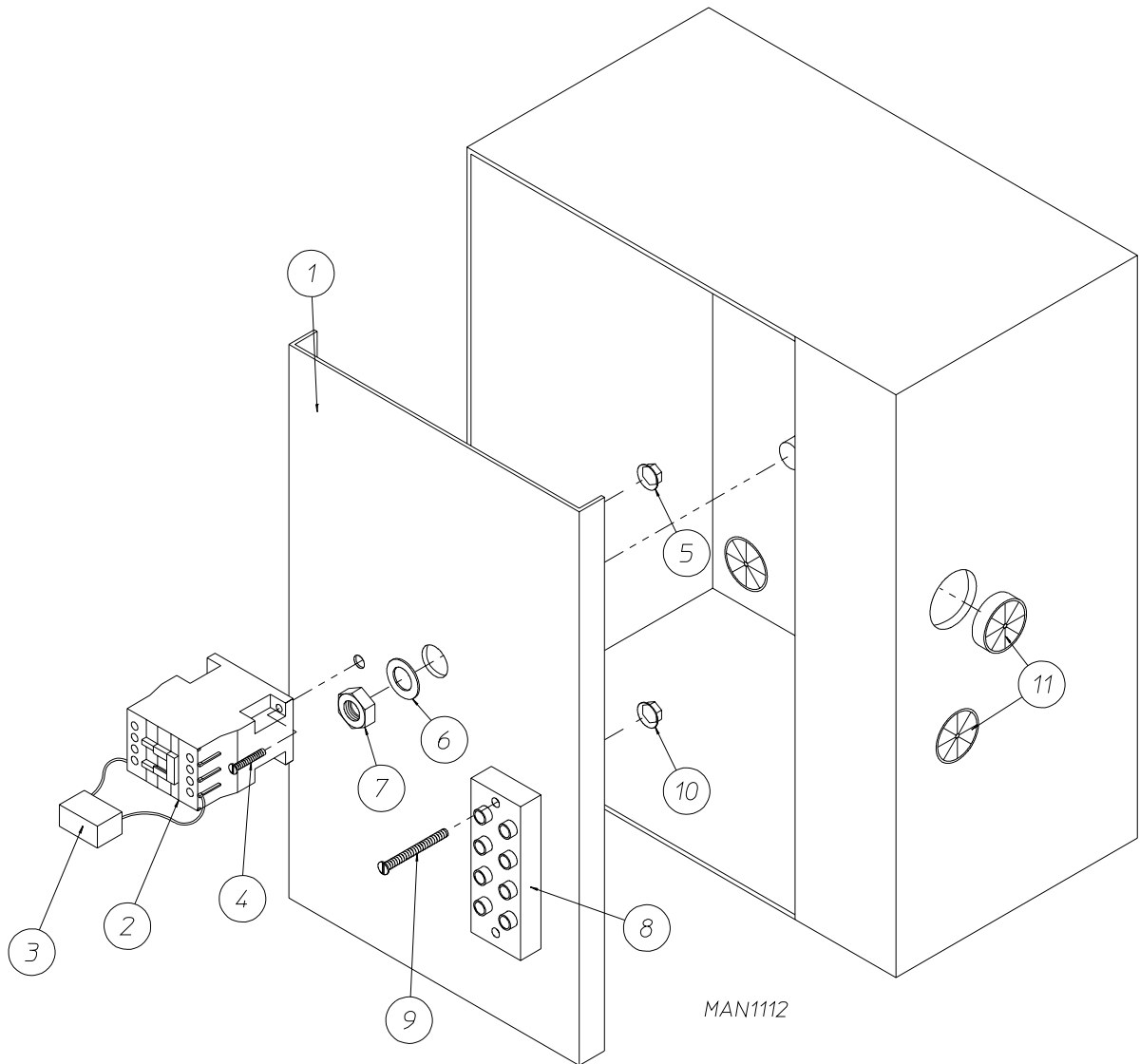


MAN0270

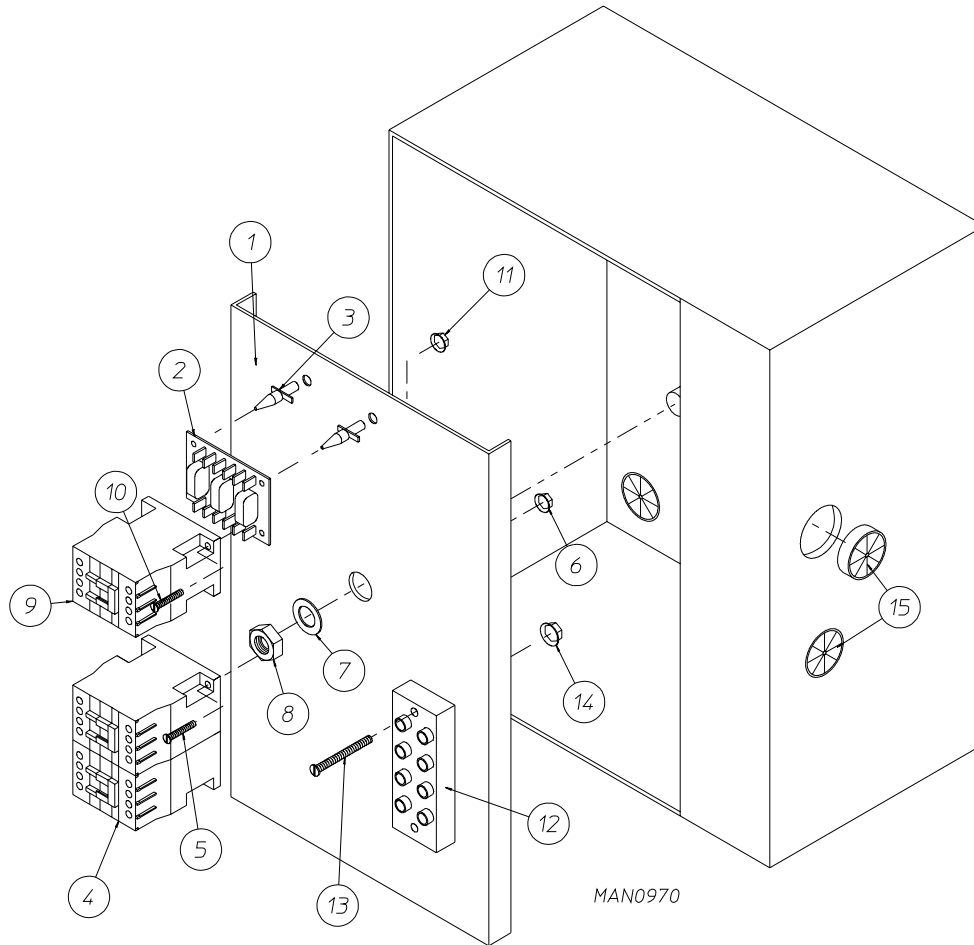
<u>Illus. No.</u>	<u>Part No.</u>	<u>Qty.</u>	<u>Description</u>
1	154004	1	Twin Speed Nut
2	150415	2	#10-16 x 1/2" Phillips Round Head Crimptite Screw
3	802799	1	Sail Switch Box Cover and Bracket ONLY
4	150303	2	#4 x 3/4" Phillips Head "A" Machine Screw
5	122200	1	Sail Switch ONLY
6	105500	1	Sail Switch Actuator Rod
7	319202	1	Sail Switch Damper (flat)
8	154002	1	1/8" Push On Fastener
9	802800	1	Sail Switch Box with Cover and Bracket ONLY
	802801	1	Sail Switch Box Assembly Complete (includes illus. nos. 1 through 9)
10	142809	1	1/2" x 29-1/8" Pipe
11	824526	1	Sail Switch Harness
12	824533	1	Hi-Limit Harness
13	150415	2	#10-16 x 1/2" Phillips Round Head Crimptite Screw
14	319704	1	Hi-Limit Mounting Bracket ONLY
15	151000	2	#6-32 Pal Nut
16	151001	2	#6-32 x 1/2" Round Head Machine Screw
17	130401	1	330° Hi-Limit ONLY



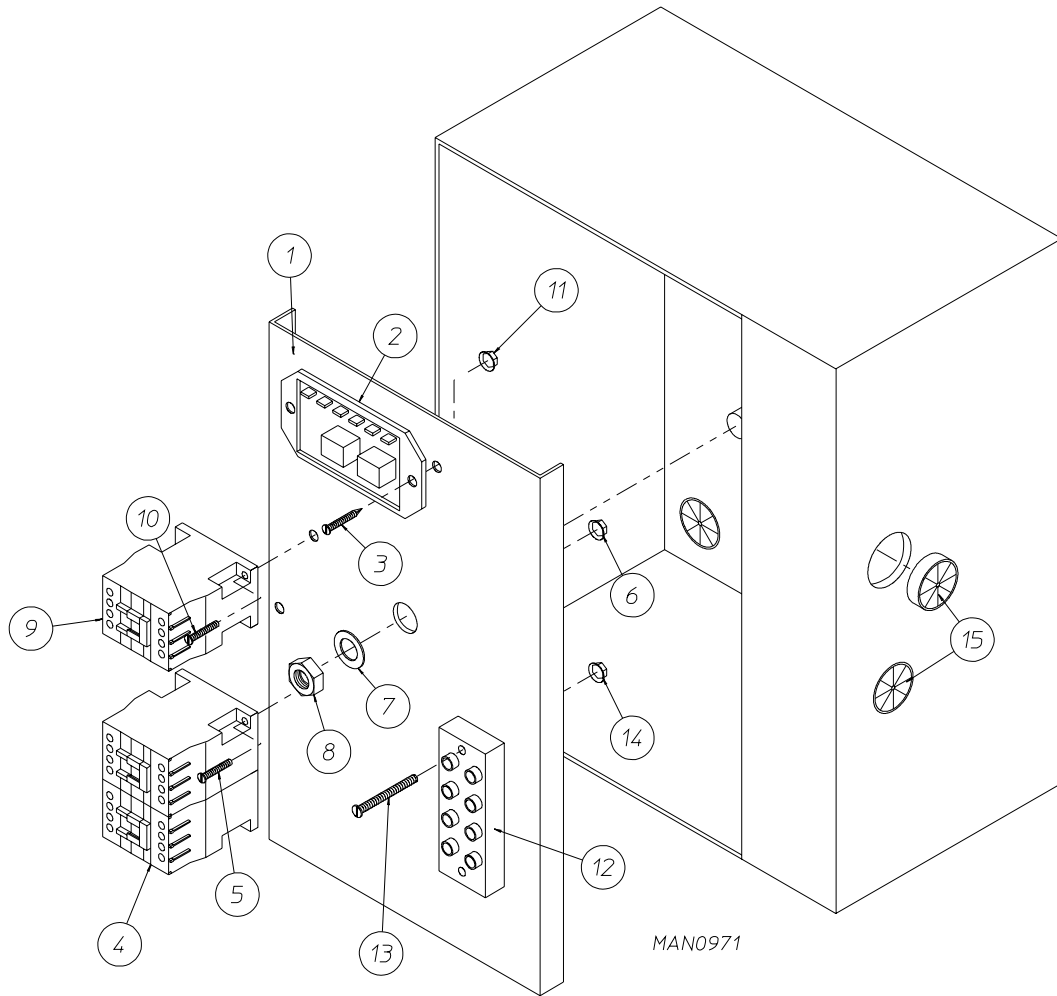
<u>Illus. No.</u>	<u>Part No.</u>	<u>Qty.</u>	<u>Description</u>
1	132451	1	2-Pole Contactor - 24 VAC
2	150299	2	#10 x 1" Hex Head TEK Screw
3	824828	1	RC Network with Connectors (for microprocessor controller [computer] models Only)
-	322809	1	Back Electrical Box Cover...Not Illustrated
-	150301	4	#8-18 x 7/16" Phillips Round Head TEK Screw...Not Illustrated



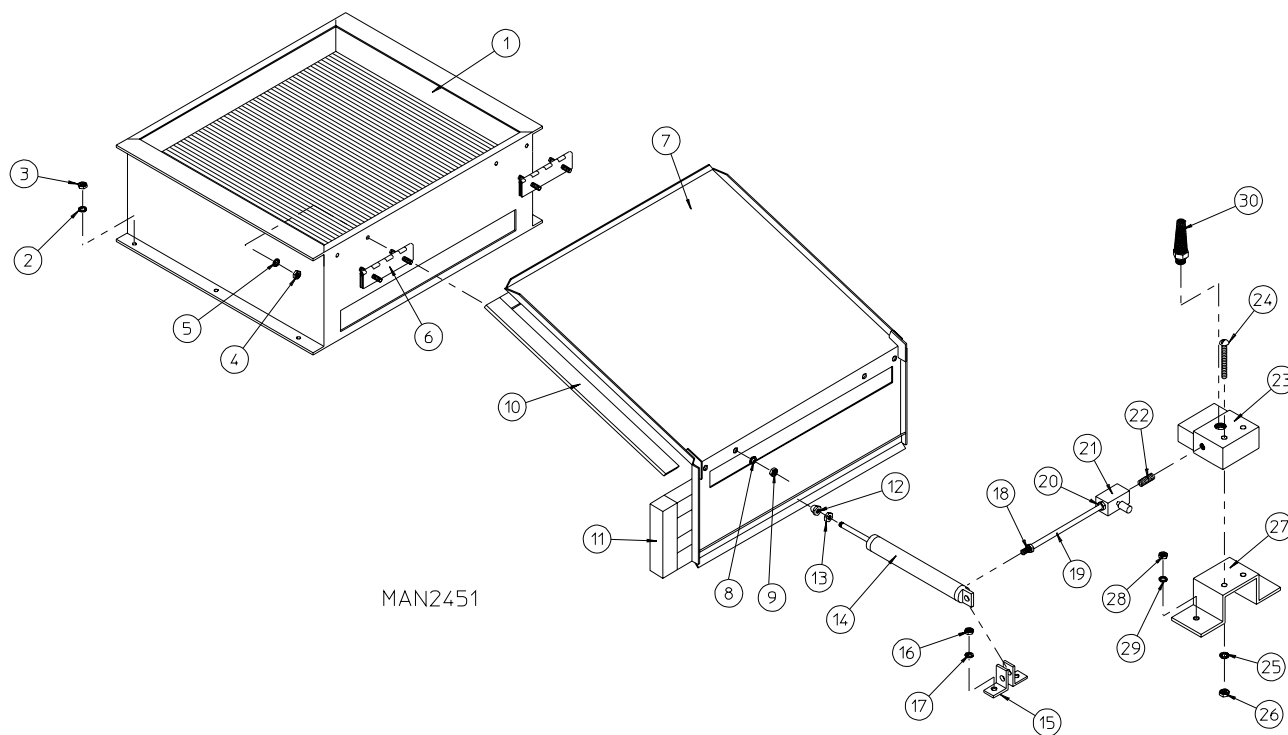
<u>Illus. No.</u>	<u>Part No.</u>	<u>Qty.</u>	<u>Description</u>
1	322812	1	Back Electrical Box Component Mounting Plate
2	132430	1	Impellor Contactor (208/230/240v, 50/60 Hz) 24 VAC
	132432	1	Impellor Contactor Replacement Coil (208/230/240v, 50/60 Hz) 24 VAC
3	137015	1	RC Network (for microprocessor controller [computer] models Only)
4	150103	2	#8-32 x 3/4" Phillips Round Head Machine Screw
5	151001	2	#8-32 Pal Nut
6	153002	1	5/16" Lock Washer
7	152004	1	5/16-18 Hex Nut
8	120701	1	4-Position Terminal Block
9	150008	2	#6-32 x 1-1/4" Slotted Round Head Machine Screw
10	151000	2	#6-32 Pal Nut
11	121300	3	Open/Closed Bushing
--	322809	1	Back Electrical Box Cover...Not Illustrated
--	150301	4	#8-18 x 7/16" Phillips Round Head TEK Screw...Not Illustrated



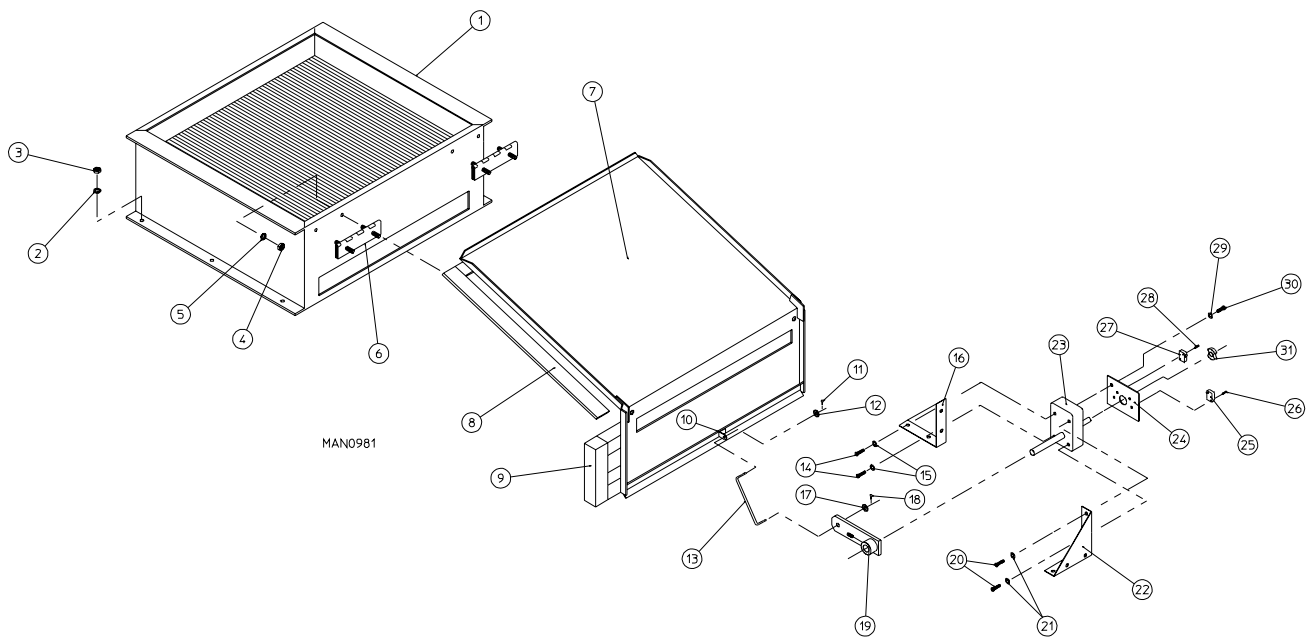
<u>Illus. No.</u>	<u>Part No.</u>	<u>Qty.</u>	<u>Description</u>
1	322812	1	Back Electrical Box Component Plate
2	137060	1	Arc Suppressor (A.S.) Board
3	137013	4	Nylon Standoff
4	132431	1	Reversing Contactor (208/230/240v, 50/60 Hz) 24 VAC
	132432	2	Reversing Contactor Replacement Coil (208/230/240v, 50/60 Hz) 24 VAC
5	150103	2	#8-32 x 3/4" Phillips Round Head Machine Screw
6	151001	2	#8-32 Pal Nut
7	153002	1	5/16" Lock Washer
8	152004	1	5/16-18 Hex Nut
9	132430	1	Impellor Contactor (208/230/240v, 50/60 Hz) 24 VAC
	132432	1	Impellor Contactor Replacement Coil (208/230/240v, 50/60 Hz) 24 VAC
10	150103	2	#8-32 x 3/4" Phillips Round Head Machine Screw
11	151001	2	#8-32 Pal Nut
12	120701	1	4-Position Terminal Block
13	150008	2	#6-32 x 1-1/4" Slotted Round Head Machine Screw
14	151000	2	#6-32 Pal Nut
15	121300	3	Open/Closed Bushing
--	322809	1	Back Electrical Box Cover...Not Illustrated
--	150301	4	#8-18 x 7/16" Phillips Round Head TEK Screw...Not Illustrated



<u>Illus. No.</u>	<u>Part No.</u>	<u>Qty.</u>	<u>Description</u>
1	322812	1	Back Electrical Box Component Plate
2	132198	1	Reversing Timer - 24 VAC - 50/60 Hz
3	150301	2	#8-18 x 7/16" Phillips Pan Head TEK Screw
4	132431	1	Reversing Contactor (208/230/240v, 50/60 Hz) 24 VAC
	132432	2	Reversing Contactor Replacement Coil (208/230/240v, 50/60 Hz) 24 VAC
5	150103	2	#8-32 x 3/4" Phillips Round Head Machine Screw
6	151001	2	#8-32 Pal Nut
7	153002	1	5/16" Lock Washer
8	152004	1	5/16-18 Hex Nut
9	132430	1	Impellor Contactor (208/230/240v, 50/60 Hz) 24 VAC
	132432	1	Impellor Contactor Replacement Coil (208/230/240v, 50/60 Hz) 24 VAC
10	150103	2	#8-32 x 3/4" Phillips Round Head Machine Screw
11	151001	2	#8-32 Pal Nut
12	120701	1	4-Position Terminal Block
13	150008	2	#6-32 x 1-1/4" Slotted Round Head Machine Screw
14	151000	2	#6-32 Pal Nut
15	121300	3	Open/Closed Bushing
--	322809	1	Back Electrical Box Cover...Not Illustrated

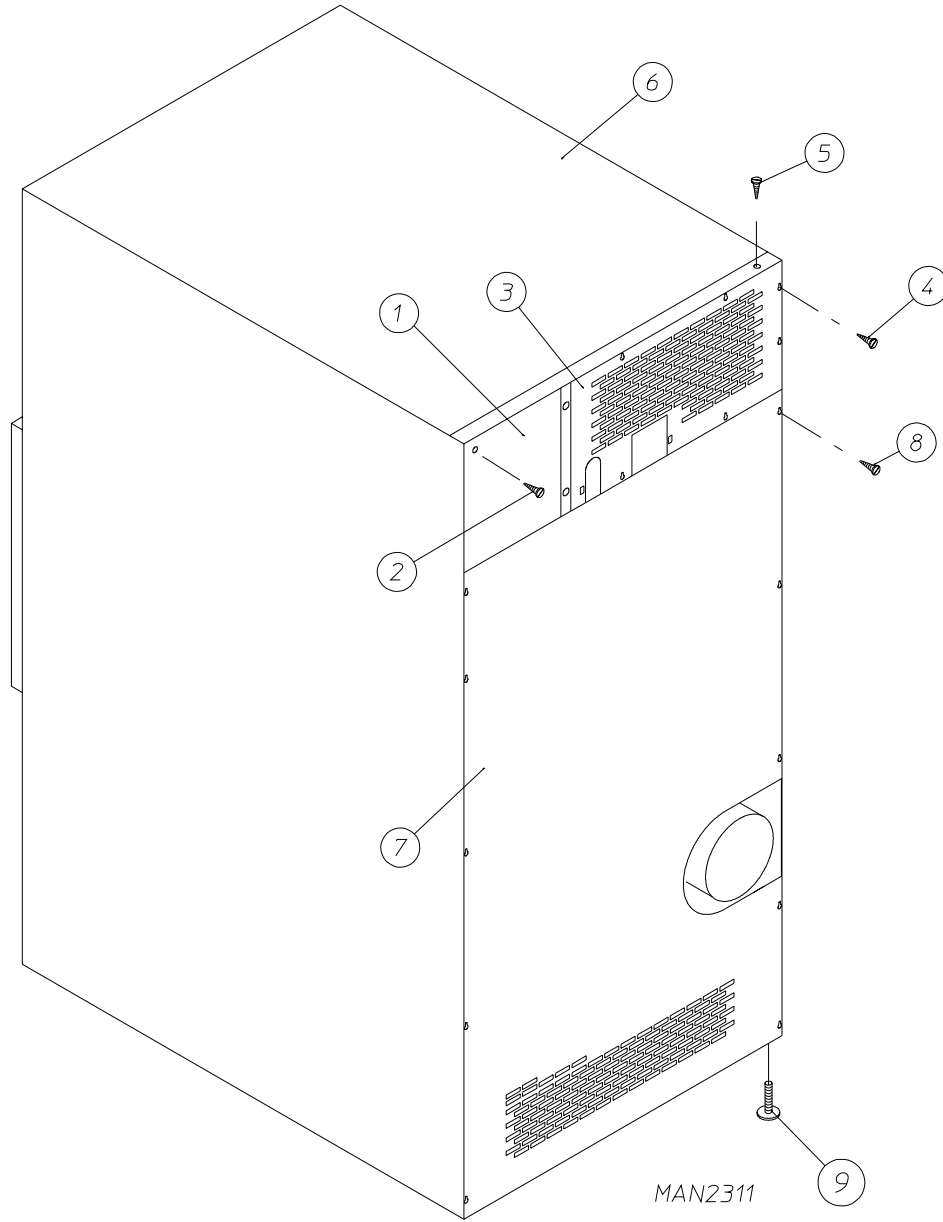


<u>Illus. No.</u>	<u>Part No.</u>	<u>Qty.</u>	<u>Description</u>
1	165011	1	Steam Coil Assembly
2	153002	6	5/16" Lock Washer
3	152004	6	5/16-18 Hex Nut
4	152002	4	1/4-20 Hex Nut
5	153007	4	1/4" Lock Washer
6	820321	2	Steam Damper Hinge Assembly
7	803417	1	Steam Damper Assembly (includes illus. nos. 7, 10, and 11)
8	153007	4	1/4" Lock Washer
9	152002	4	1/4-20 Hex Nut
10	115995	66	Steam Damper Gasket (sold by the inch)
11	102350	1	Steam Damper Foam (68-1/2" length)
12	151006	1	5/16-24 Stainless Steel Acorn Nut
13	152051	1	5/16-24 Right Hand Jam Nut
14	100495	1	11/16" Diameter x 3" Stroke Piston
15	323365	2	Left and Right Piston Support
16	152002	2	1/4-20 Hex Nut
17	153007	2	1/4" Lock Washer
18	100472	1	1/4" Poly x 1/8" M.P.T. Connector
19	143110	1	1/4" Poly-Flo Tubing
20	100472	1	1/4" Poly x 1/8" M.P.T. Connector
21	100496	1	1/8" Needle Valve
22	143238	1	1/8" Brass Close Nipple
23	100498	1	3-Way Micro Valve - 24 VAC
24	150002	2	#6-32 x 1" Machine Bolt
25	153010	2	#6 Star Washer
26	152000	2	#6-32 Hex Nut
27	330987	1	Micro Valve Support
28	152002	2	1/4-20 Hex Nut
29	153007	2	1/4" Lock Washer
30	100520	1	1/8" N.P.T. Silencer (muffler) #N-25

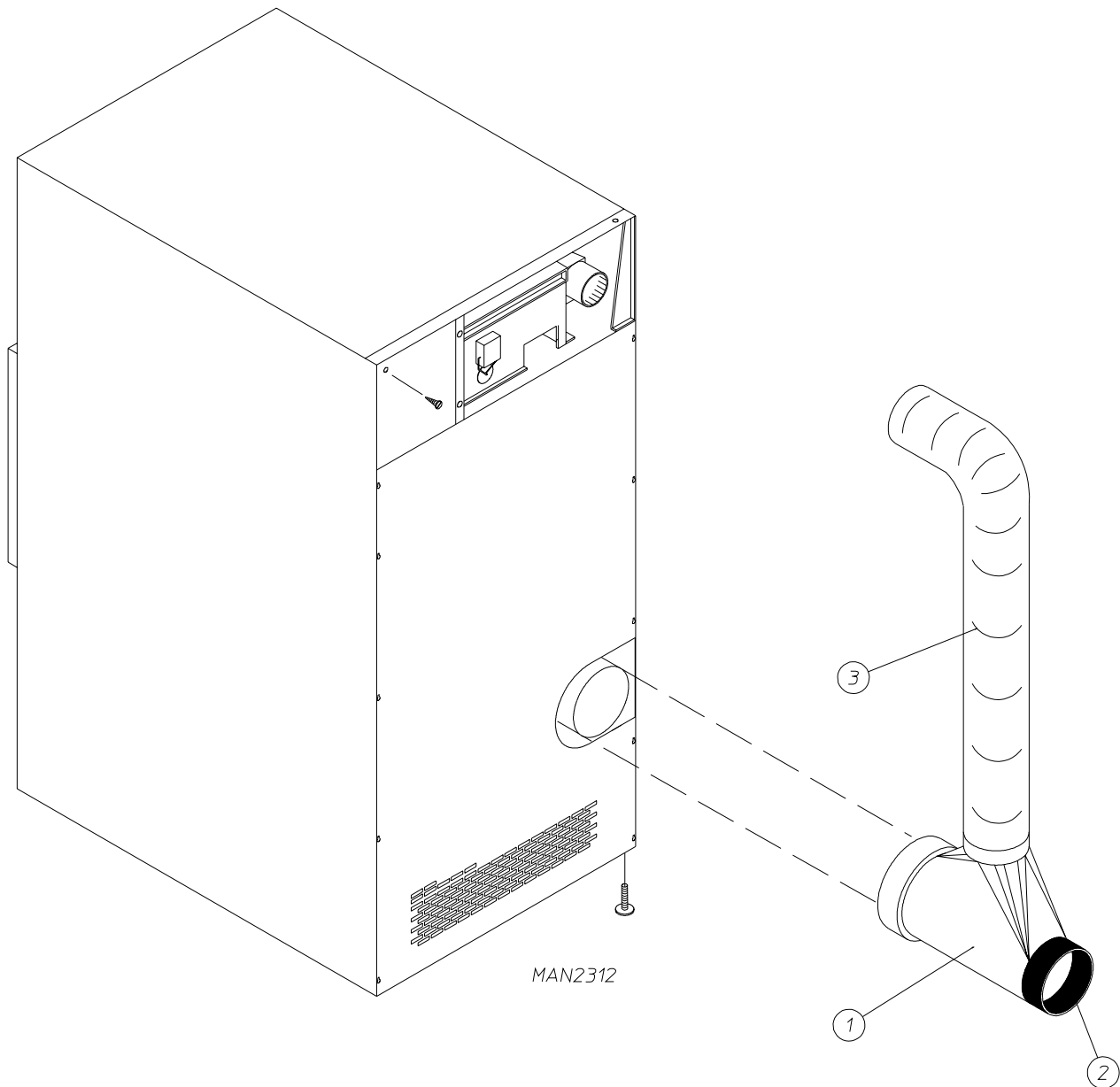


<u>Illus. No.</u>	<u>Part No.</u>	<u>Qty.</u>	<u>Description</u>
1	165011	1	Steam Coil Assembly
2	153002	6	5/16" Lock Washer
3	152004	6	5/16-18 Hex Nut
4	152002	4	1/4-20 Hex Nut
5	153007	4	1/4" Lock Washer
6	820321	2	Steam Damper Hinge Assembly
7	880781	1	Steam Damper Assembly (includes illus. nos. 7 through 10)
8	115995	66	Steam Damper Gasket (sold by the inch)
9	102350	1	68-1/2" Steam Damper Foam
10	309300	1	Rod Bracket
11	154300	1	1/2" x 3/32" Cotter Pin
12	153022	1	#10 Steel Burr
13	104052	1	Mechanical Steam Damper Actuator Rod
14	150110	2	#8-32 x 1/4" Phillips Head Machine Screw
15	153012	2	#8 Star Washer
16	312315	1	Mechanical Steam Damper Motor Mount
17	153022	1	#10 Steel Burr
18	154300	1	1/2" x 3/32" Cotter Pin
19	850268	1	Mechanical Steam Damper Arm
20	150110	2	#8-32 x 1/4" Phillips Head Machine Screw
21	153012	2	#8 Star Washer
22	312315	1	Mechanical Steam Damper Motor Mount
23	104054	1	Mechanical Steam Damper Motor
24	100511	1	Mechanical Steam Damper Switch Plate
25	122120	1	Mechanical Steam Damper Switch
26	150026	2	#4-40 x 5/8" Phillips Pan Head Machine Screw
27	122120	1	Mechanical Steam Damper Switch
28	150026	2	#4-40 x 5/8" Phillips Pan Head Machine Screw
29	153012	2	#8 Star Washer
30	150102	2	#8-32 x 3/8" Pan Head Machine Screw
31	-----*	1	Mechanical Steam Damper Motor Cam

* The mechanical steam damper motor cam is part of the mechanical steam damper motor.



<u>Illus. No.</u>	<u>Part No.</u>	<u>Qty.</u>	<u>Description</u>
1	322809	1	Back Electrical Box Cover
2	150301	4	#8-18 x 7/16" Phillips Pan Head TEK Screw
3	314414	1	Top Back Guard (no top back guard on gas heat reclaimer models and steam models)
4	150301	7	#8-18 x 7/16" Phillips Pan Head TEK Screw
5	150301	10	#8-18 x 7/16" Phillips Pan Head TEK Screw
6	312534	1	Outer Top (no outer top on gas heat reclaimer models and steam models)
7	314514	1	Lower Back Guard
8	150301	13	#8-18 x 7/16" Phillips Pan Head TEK Screw
9	103500	4	Leveling Leg



<u>Illus. No.</u>	<u>Part No.</u>	<u>Qty.</u>	<u>Description</u>
1	143501	1	8" x 6" x 6" Tee
2	880502	1	6" Replacement Damper Assembly
3	143509	1	6" Flexible Duct
-	117505	2	Aluminum Duct Tape (sold by the foot)

DSI BURNER ORIFICE LISTING*						
MODEL NUMBER	HEAT RECLAIMER	QTY.	NATURAL GAS		L.P. GAS	
			D.M.S.	Part No.	D.M.S.	Part No.
ADG-60D	No	3	#29	140820	#48	140804
ADG-60DH	Yes	2	#23	140856	#42	140810

* Consult factory for elevations over 2,000 feet.

DSI BURNER ASSEMBLY LISTING				
MODEL NUMBER	BTU/HR RATING	HEAT RECLAIMER	NATURAL GAS PART NO.	L.P. GAS PART NO.
ADG-60D	160,000	No	809627	809628
ADG-60DH	140,000	Yes	809629	809630

NOTES: 1. Burner assemblies **DO NOT** include burner orifices. They **must be** ordered separately.
2. When ordering burner assemblies, specify model number and if computer or non-computer controls.

DSI L.P. CONVERSION KIT LISTING*	
MODEL NUMBER	KIT PART NUMBER
ADG-60D	881048
ADG-60DH	881049

* Consult factory for elevations over 2,000 feet.

ADE-60

KW	VOLT	PHASE	WIRE	OVEN ASSY*	ELEMENTS			OVEN WIRE			TERMINAL LUG		BUS BAR P/N 121011	OVEN RELAY	
					QTY.	KW	PART NO.	QTY.	SIZE	PART NO.	QTY.	PART NO.		CAT. NO.	PART NO.
30	208	3-phase	3 or 4	824917	6	5	120012	6	#6	133200	7	121010	1	FEAJ	131375
30	240	3-phase	3	824934	6	5	120013	3	#4	133300	4	121012	1	FEAJ	131375
30	416	3-phase	3 or 4	824949	6	5	120012	4	#8	133100	5	121010	2	DPA43	131357
30	460/480	3-phase	3 or 4	824955	6	5	120013	4	#8	133100	5	121010	2	BFAJ	131351
25	380	3-phase	3 or 4	824942	6	5	120012	4	#8	133100	5	121010	2	BFAJ	131351
24	208	3-phase	3 or 4	824919	6	4	120010	3	#4	133300	4	121012	1	DPA63	131369
24	240	3-phase	3	824936	6	4	120011	3	#6	133200	3	121010	1	DFAJ	131361
24	416	3-phase	3 or 4	824948	6	4	120010	4	#8	133100	5	121010	1	BFAJ	131351
24	460/480	3-phase	3 or 4	824954	6	4	120011	4	#10	133000	5	121010	2	BFAJ	131351
20	208	1-phase	2	824906	5	4	120010	2	#4	133300	2	121012	2	GEAJ	131385
20	240	1-phase	2	824928	5	4	120011	2	#4	133300	2	121012	2	FEAJ	131375
20	380	3-phase	3 or 4	824941	6	4	120010	4	#10	133300	5	121010	2	BFAJ	131351

* Oven assemblies **DO NOT** include oven relay (contactor). This item **must be** ordered separately. When ordering oven assembly complete, specify 3 or 4 wire when applicable as well as if dryer has microprocessor or non-microprocessor controls.

N/A = Not available.

<u>Part No.</u>	<u>Description</u>
114006	“WARNING - Fire Hazards” Label
112039	“Black/White/Green Ground” Label
112280	“Clean Lint Screen” Label
114001	“Caution-Exhausted/Lint Screen” Label
112534	“Phase 5 OPL Program Location Summary” Label
120100	3/8” Straight (BX) Connector
120200	3/8” x 90° (BX) Connector
120300	3/8” x 45° (BX) Connector
120400	3/8” Red Jacket (BX) Insulator
120500	3/8” Jiffy Clip (BX retainer clip)
120600	3/8” Greenfield (BX)
120800	1/4” In-Line Connector
120802	Red Butt Connector
120902	#74B Wire Nut
120903	Crimp-On Wire Nut
121006	#10 Insulated Ring Terminal
121014	1/4” Insulated (female) Terminal
121026	Tab Receptacle Combination
121499	5-1/2” Harness Tie
121500	8” Harness Tie
121503	Harness Tie Mounting Clip
112804	Manometer (hydro gauge) For Measuring Gas Pressure
404500	Almond Brush-In-Cap Bottle Touch-Up Paint
404502	White Brush-In-Cap Bottle Touch-Up Paint
404506	Beige Brush-In-Cap Bottle Touch-Up Paint
404507	Cornflower Blue Brush-In-Cap Bottle Touch-Up Paint
880200	Electrical Terminal (assortment) Kit

ADC450306

1 - 06/01/95-100

4 * 08/06/99-50

2 * 03/19/96-100

5 * 01/03/02-25

3 * 06/02/97-50

