



AD-758DV

Parts Manual

American Dryer Corporation
88 Currant Road
Fall River, MA 02720-4781
Telephone: (508) 678-9000 / Fax: (508) 678-9447
E-mail: techsupport@amdry.com
www.amdry.com

Retain This Manual In A Safe Place For Future Reference

American Dryer Corporation products embody advanced concepts in engineering, design, and safety. If this product is properly maintained, it will provide many years of safe, efficient, and trouble-free operation.

ONLY qualified technicians should service this equipment.

OBSERVE ALL SAFETY PRECAUTIONS displayed on the equipment or specified in the installation manual included with the dryer.

The following “**FOR YOUR SAFETY**” caution **must be** posted near the dryer in a prominent location.

FOR YOUR SAFETY

Do not store or use gasoline or other flammable vapors and liquids in the vicinity of this or any other appliance.

POUR VOTRE SÉCURITÉ

Ne pas entreposer ni utiliser d'essence ni d'autres vapeurs ou liquides inflammables à proximité de cet appareil ou de tout autre appareil.

We have tried to make this manual as complete as possible and hope you will find it useful. **ADC** reserves the right to make changes from time to time, without notice or obligation, in prices, specifications, colors, and material, and to change or discontinue models.

Important

For your convenience, log the following information:

DATE OF PURCHASE _____ **MODEL NO.** AD-758DV

RESELLER'S NAME _____

Serial Number(s) _____

Replacement parts can be obtained from your reseller or the **ADC** factory. When ordering replacement parts from the factory, you can FAX your order to **ADC** at (508) 678-9447 or telephone your order directly to the **ADC** Parts Department at (508) 678-9000. Please specify the dryer **model number** and **serial number** in addition to the **description** and **part number**, so that your order is processed accurately and promptly.

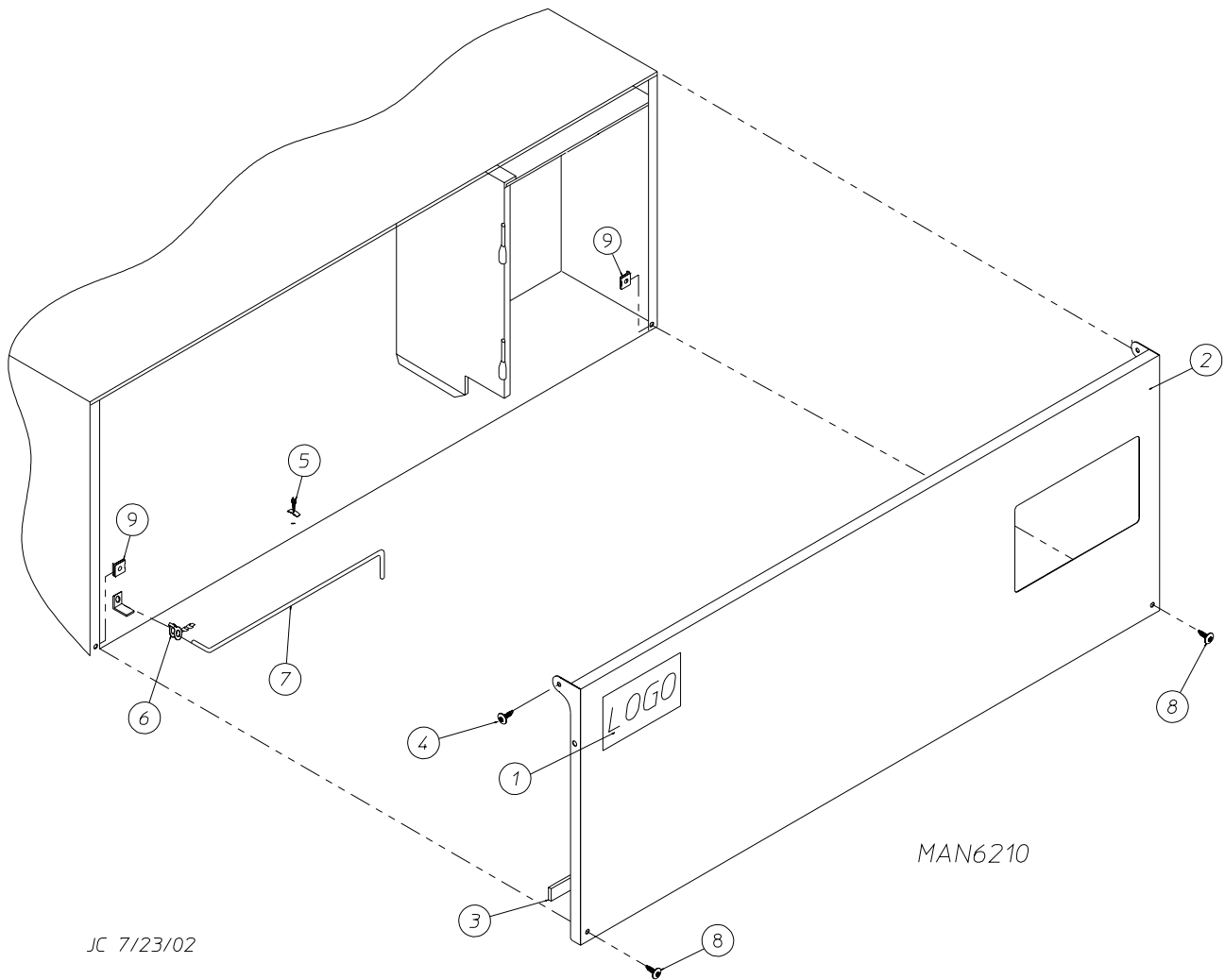
The illustrations on the following pages may not depict your particular dryer exactly. The illustrations are a composite of the various dryer models. Be sure to check the descriptions of the parts thoroughly before ordering.

“IMPORTANT NOTE TO PURCHASER”

Information **must be** obtained from your local gas supplier on the instructions to be followed if the user smells gas. These instructions **must be** posted in a prominent location near the dryer.

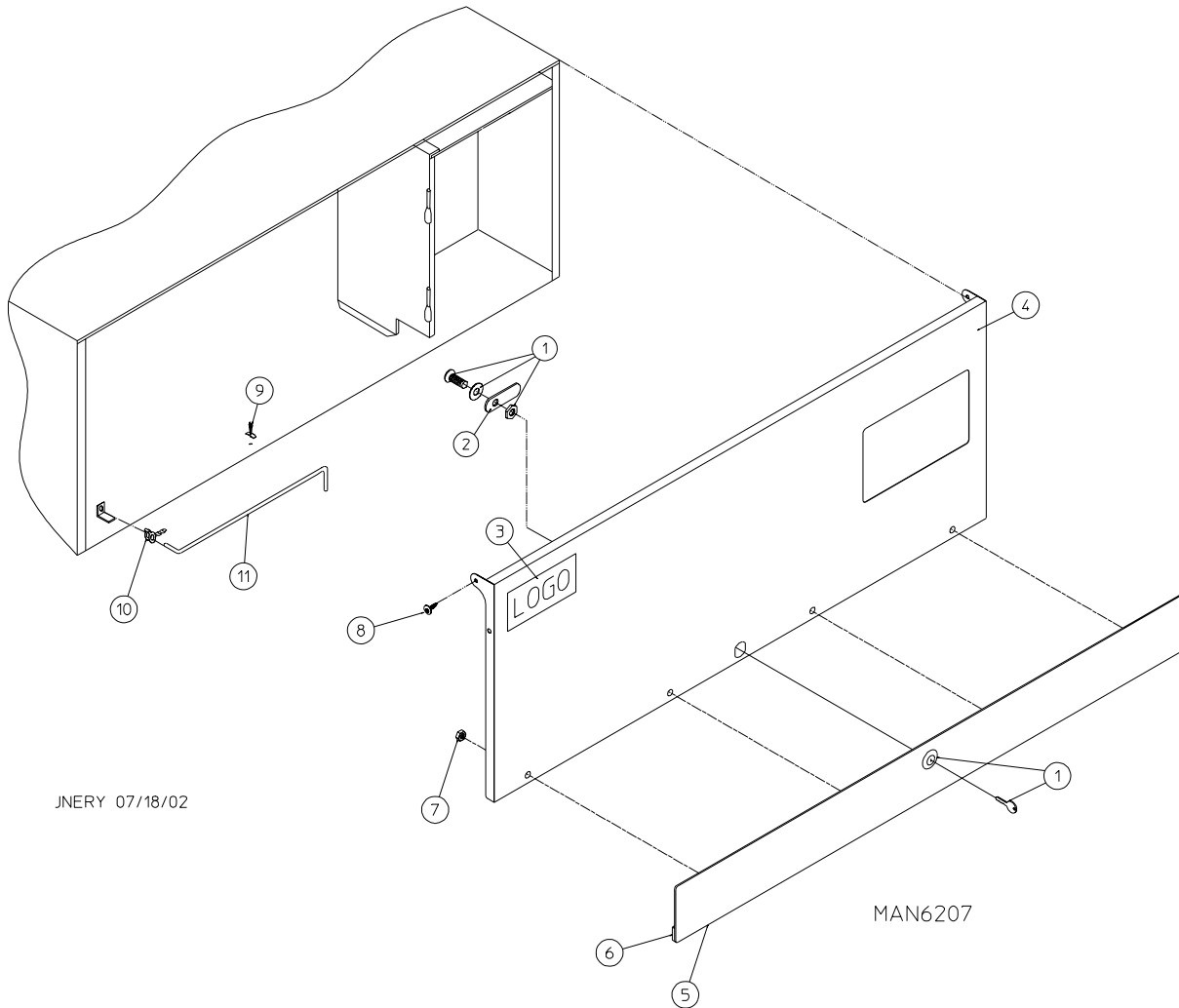
Table of Contents

OPL Control Door Assembly	
For Models Mfd. as of July 1, 2002	2
Coin Control Door Assembly	
For Models Mfd. as of July 1, 2002	3
Control Door Assembly	
For Models Mfd. prior to July 1, 2002	4
Phase 5 OPL Microprocessor Control Panel Assembly	5
Phase 5 Coin Microprocessor Control Panel Assembly	6, 7
Dual Timer “Tap Touch” Controls	8
Coin and OPL Control Box Assembly	9
Coin Vault Assembly	10
Front Panel Assembly	11
Main Door “Steel” Assembly	12, 13
Main Door Switch Assembly	14
Basket (Tumbler)/Support Assemblies	15
Lint Drawer/Lint Drawer Switch Assembly	16
Idler Bearing Assembly	17
Basket (Tumbler) Bearing Assembly	18, 19
Non-Reversing Motor Mount Assembly	20, 21
Reversing T.E.F.C. Motor Mount Assembly	22, 23
Sensor Bracket Assemblies	24, 25
Direct Spark Ignition (DSI) Burner Assembly	26, 27
Electric Oven Assembly	28, 29
Air-Operated Steam Damper Assembly	30, 31
Single-Phase (1 ϕ) Motor, Electric Relay Panel Assembly	32
3-Phase (3 ϕ) Motor, Electric Relay Panel Assembly	33
460-480 VAC 3-Phase (3 ϕ) Motor, Electric Relay Panel Assembly	34
Reversing Electric Relay Panel Assembly	35
460-480 VAC Reversing Electric Relay Panel Assembly	36
Sail Switch Assembly	37
Outer Top/Back Guard Assemblies	38
Electric Oven Component Application Chart	39
Microprocessor Coin Acceptors Listing	40
Additional Parts Available	41



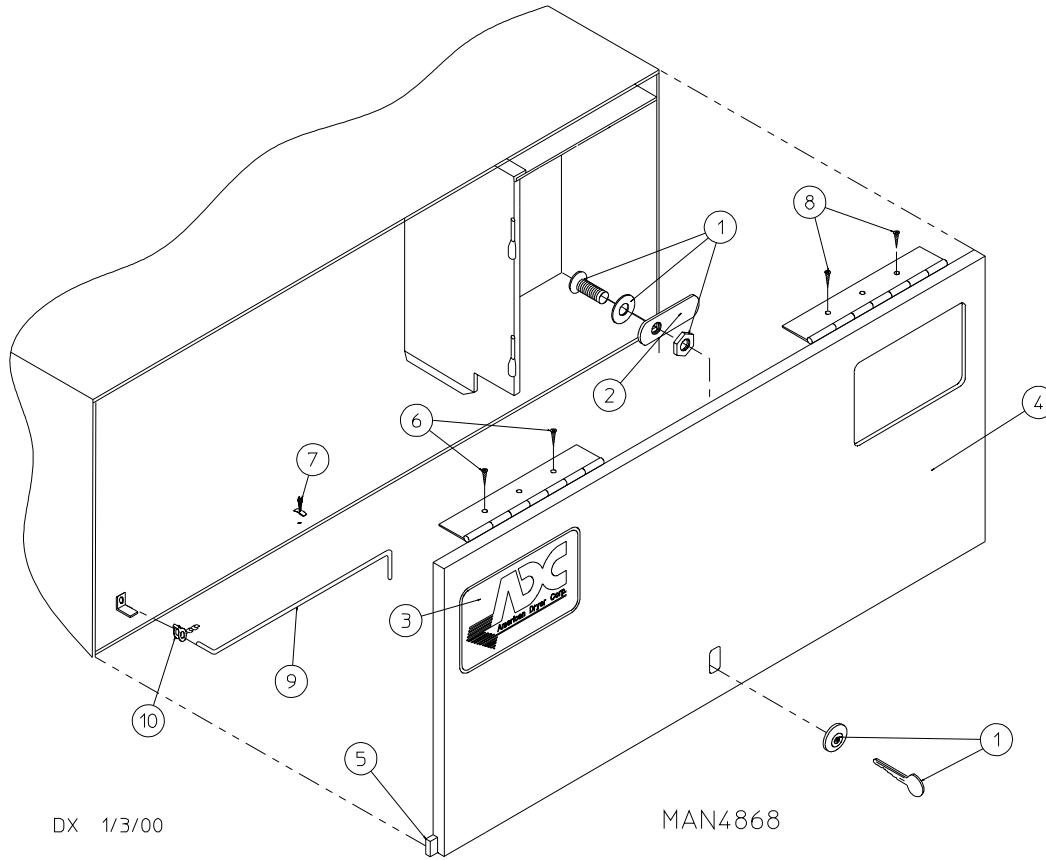
Illus. No.	Part No.	Qty.	Description
1	881053	1	ADC Logo with Tape
	870011	1	Double Sided Tape Kit
2	883616	1	White Control Door Assembly (includes illus. nos. 2 and 3)
	883618	1	Ivory Control Door Assembly (includes illus. nos. 2 and 3)
	883617	1	Coral Blue Control Door Assembly (includes illus. nos. 2 and 3)
3	117604	3	Neoprene Sponge Tape (sold by the foot)
4	150317	2	#10-16 x 3/4" TORX + BTN Type 1
5	102603	1	Control Door Rod Support Catch
6	102601	1	Control Door Rod Retainer Clip
7	102502	1	Control Door Support Rod
8	150321	2	#10-32 x 1/2" Phillips Machine Screw
9	154011	2	#10-32 Multi-Thread U-Nut

For Models Mfd. as of July 1, 2002

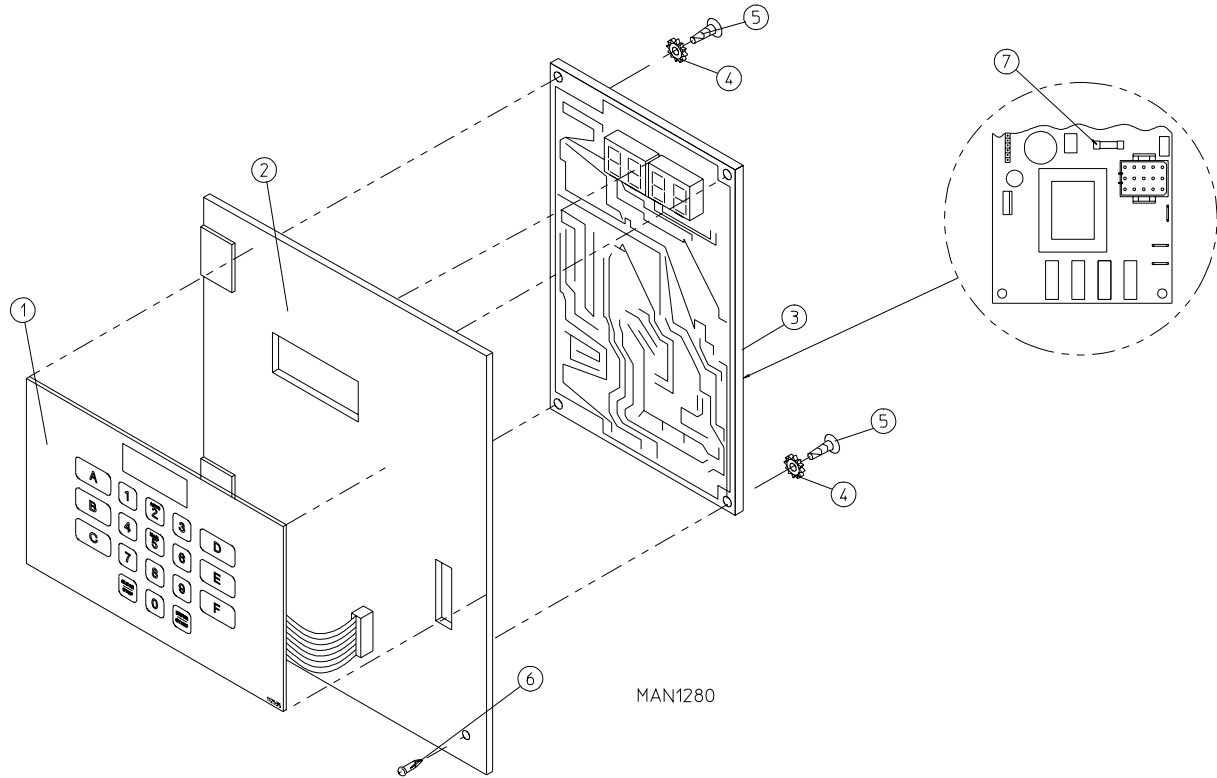


<u>Illus. No.</u>	<u>Part No.</u>	<u>Qty.</u>	<u>Description</u>
1	160015	1	High Security Lock Assembly
	160104	1	Key ONLY
2	160016	1	Lock Cam ONLY
3	881053	1	ADC Logo with Tape
4	883621	1	White Control Door Assembly with Black Trim (includes illus. nos. 4 through 7)
	883619	1	Ivory Control Door with Black Trim (includes illus. nos. 4 through 7)
	883620	1	Coral Blue Control Door with Black Trim (includes illus. nos. 4 through 7)
5	883485	1	Black Trim Strip with Lock Hole
6	117604	6	Neoprene Sponge Tape (sold by the foot)
7	152014	4	1/4-20 with 3/4" Free Spin Wash Nut
8	150317	2	#10-16 x 3/4" TORX + BTN Type 1
9	102603	1	Control Door Rod Support Catch
10	102601	1	Control Door Rod Retainer Clip
11	102502	1	Control Door Support Rod

For Models Mfd. prior to July 1, 2002

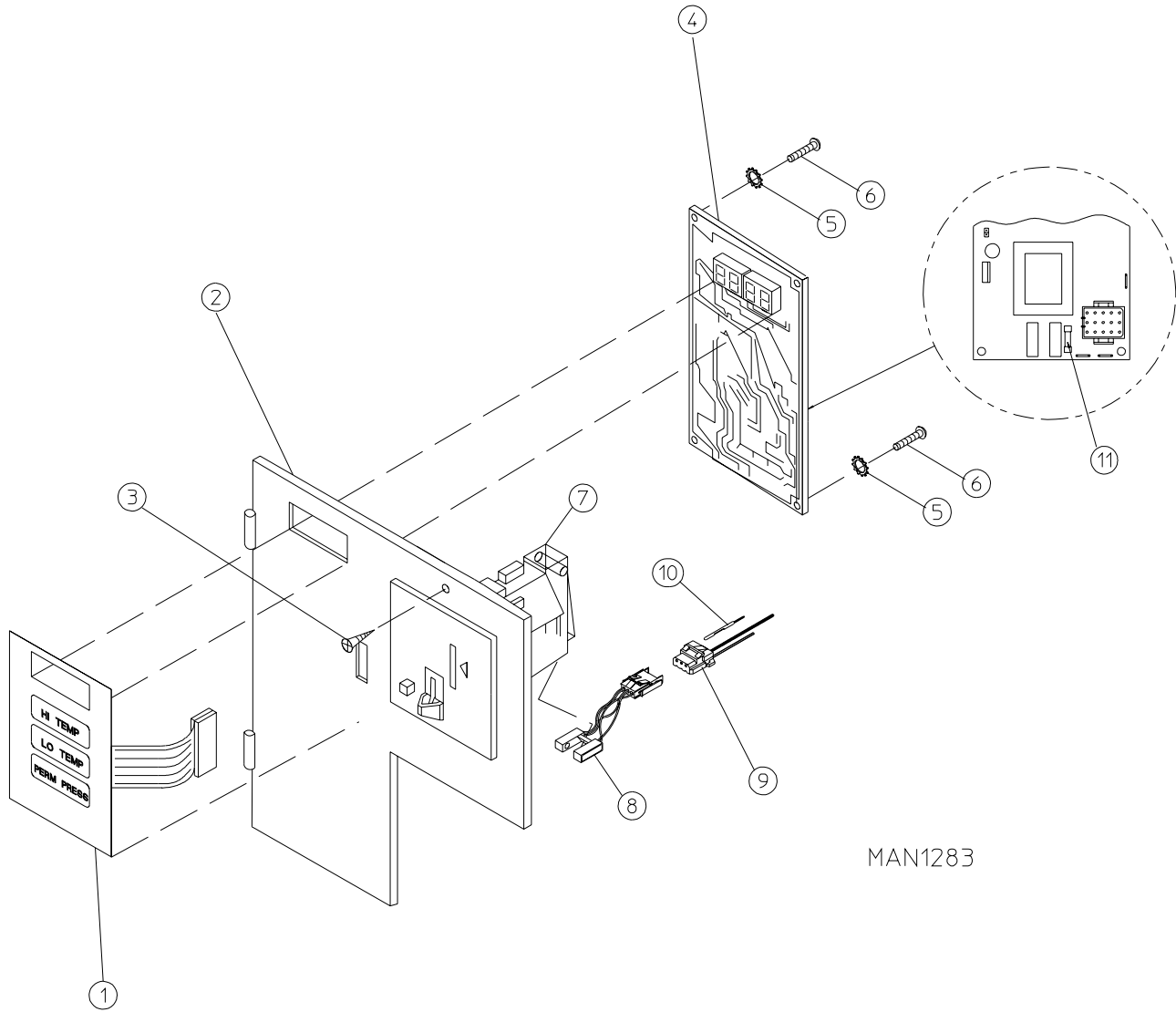


<u>Illus. No.</u>	<u>Part No.</u>	<u>Qty.</u>	<u>Description</u>
1	160015	1	High Security MK-100 Lock Assembly with Key (for coin models Only)
	160017	1	Special Dummy Lock ONLY (for non-coin models Only)
	160104	1	MK-100 Key ONLY
2	160052	1	Lock Cam ONLY
3	881053	1	ADC Logo with Tape
	870011	1	Double Sided Tape Kit
4	882751	1	White High Security Control Door Assembly Less Lock (includes illus. nos. 4 and 5)
	882752	1	Almond "B" High Security Control Door Assembly Less Lock (includes illus. nos. 4 and 5)
	882749	1	Coral Blue High Security Control Door Assembly Less Lock (includes illus. nos. 4 and 5)
	882761	1	Bisque High Security Control Door Assembly Less Lock (includes illus. nos. 4 and 5)
5	117603	4	Noise Suppressor Tape (sold by the foot)
6	150309	2	#10-16 x 1/2" Hex Head TEK Crimptite Screw
7	102603	1	Control Door Rod Support Catch
8	150309	2	#10-16 x 1/2" Hex Head TEK Crimptite Screw
9	102502	1	Control Door Support Rod
10	102601	1	Control Door Rod Retainer Clip



<u>Illus. No.</u>	<u>Part No.</u>	<u>Qty.</u>	<u>Description</u>
1	112535	1	OPL English Keyboard Label Assembly
	112276	1	OPL Stick-On Labels (English Only)...Not Illustrated
	112275	1	3-Language OPL Stick-On Labels...Not Illustrated (Spanish, Italian, and Hebrew)
	112277	1	3-Language OPL Stick-On Labels...Not Illustrated (English, Spanish, and Hebrew)
	112278	1	5-Language OPL Stick-On Labels...Not Illustrated (Italian, Dutch, French, German, and Chinese)
2	801255	1	Phase 5 Microprocessor Control Panel ONLY
	801256	1	Phase 5 Microprocessor Control Panel ONLY with Battery Bracket
	801206	1	Phase 5 OPL Non-Reversing Microprocessor Control Panel Assembly Complete (includes illus. nos. 1 through 6)
	801207	1	Phase 5 OPL Reversing Microprocessor Control Panel Assembly Complete (includes illus. nos. 1 through 6)
3	137222	1	Phase 5 OPL Non-Reversing Microprocessor Controller (computer) ONLY
	137231	1	Phase 5 OPL Reversing Microprocessor Controller (computer) ONLY
	824998	1	Phase 5 Battery Clip
4	153010	2	#6 Star Washer
5	150005	2	#6-32 x 1/4" Phillips Round Head Machine Screw
6	150309	1	#10-16 x 1/2" Hex Head TEK Crimpite Screw
7	136048	1	1/8-Amp (Slo-Bl0) Fuse

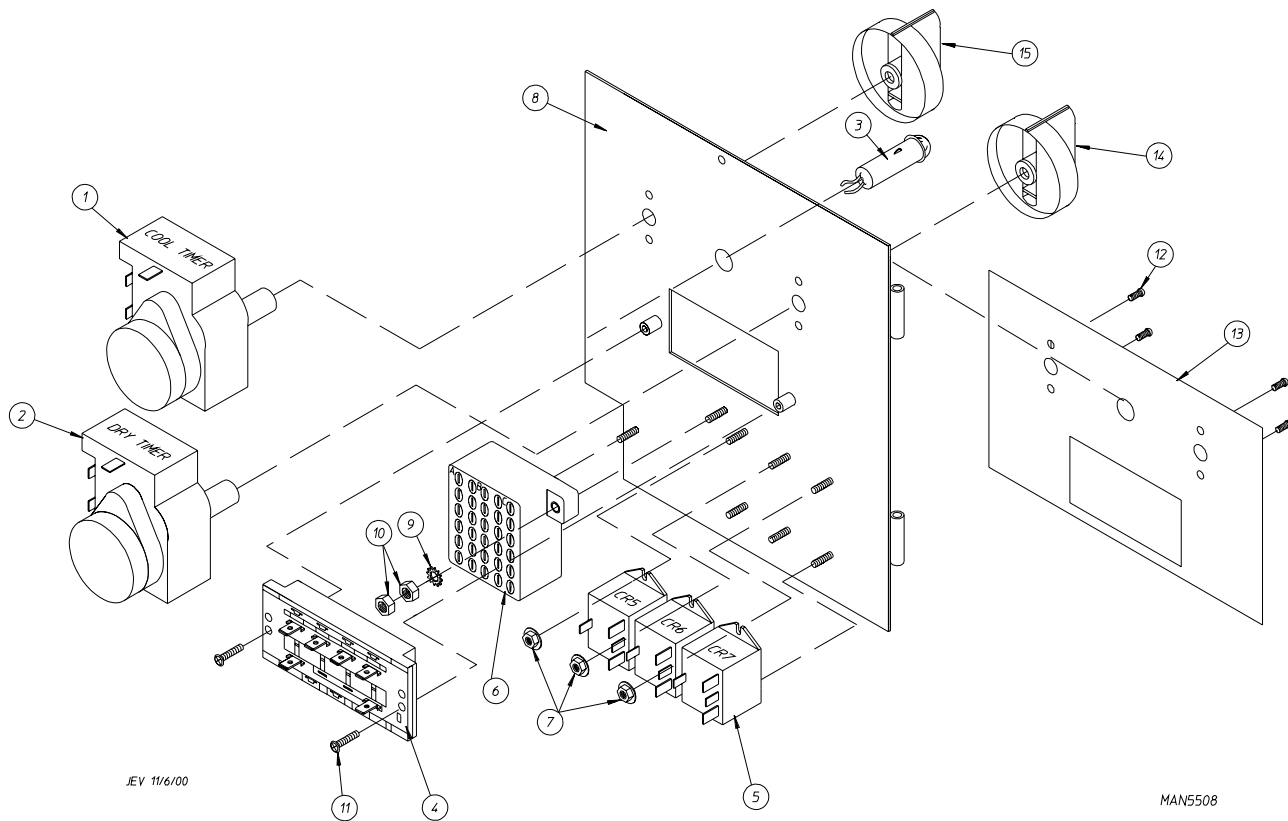
IMPORTANT: Check label on computer chip to verify correct part number for controller (computer).



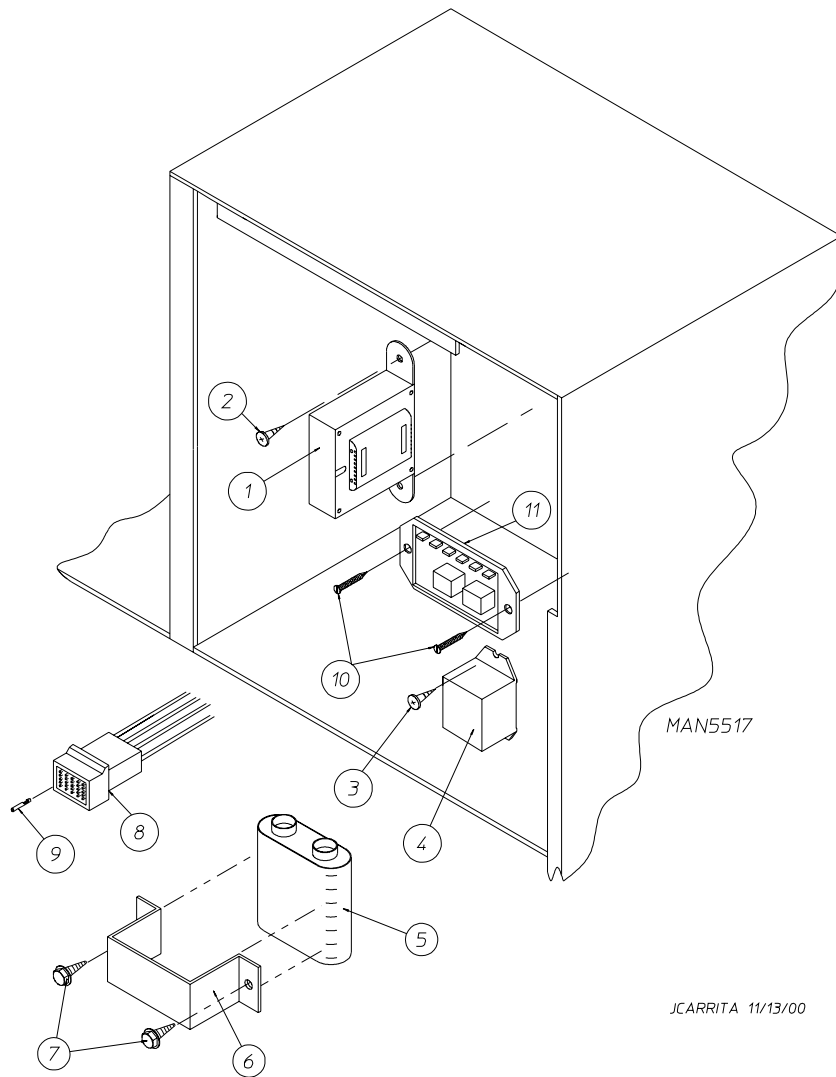
MAN1283

<u>Illus. No.</u>	<u>Part No.</u>	<u>Qty.</u>	<u>Description</u>
1	112526	1	Coin Keyboard Label Assembly
2	883537	1	Phase 5 Coin Control Panel Assembly (includes illus. nos. 1, 2, and 4 through 6) (for models mfd. as of June 25, 2002)
	883538	1	Phase 5 Coin Control Panel Assembly with Battery Option (includes illus. nos. 1, 2, and 4 through 6) (for models mfd. as of June 25, 2002)
	883582	1	Phase 5 Coin Control Panel Assembly with Battery Option (includes illus. nos. 1, 2, and 4 through 6) (for models mfd. prior to June 25, 2002)
	883581	1	Phase 5 Coin Control Panel Assembly (includes illus. nos. 1, 2, and 4 through 6) (for models mfd. prior to June 25, 2002)
	883539	1	Coin Control Panel ONLY (for models mfd. as of June 25, 2002)
	883540	1	Coin Control Panel ONLY with Battery Bracket (for models mfd. as of June 25, 2002)
	883580	1	Coin Control Panel ONLY (for models mfd. prior to June 25, 2002)
	883579	1	Coin Control Panel ONLY with Battery Bracket (for models mfd. prior to June 25, 2002)
3	150309	1	#10-16 x 1/2" Hex Head TEK Crimptite Screw
4	137213	1	Phase 5 Coin Controller ONLY
	824998	1	Phase 5 Battery Clip
5	153010	2	#6 Star Washer
6	150005	2	#6-32 x 1/4" Phillips Round Head Machine Screw
7	-----	1	Microprocessor Coin Acceptor (refer to Microprocessor Coin Acceptors Listing on page 40)
8	-----	1	Optic Switch ONLY (refer to Microprocessor Coin Acceptors Listing on page 40)
9	137023	1	Optic Switch Connector ONLY
10	137021	3	Microprocessor Socket ONLY
	880772	1	Single Coin Optical Switch Harness
	122800	1	Microprocessor (female) Pin Extraction Tool
11	136048	1	1/8-Amp (Slo-Blo) Fuse

IMPORTANT: Check label on computer chip to verify correct part number of controller (computer).

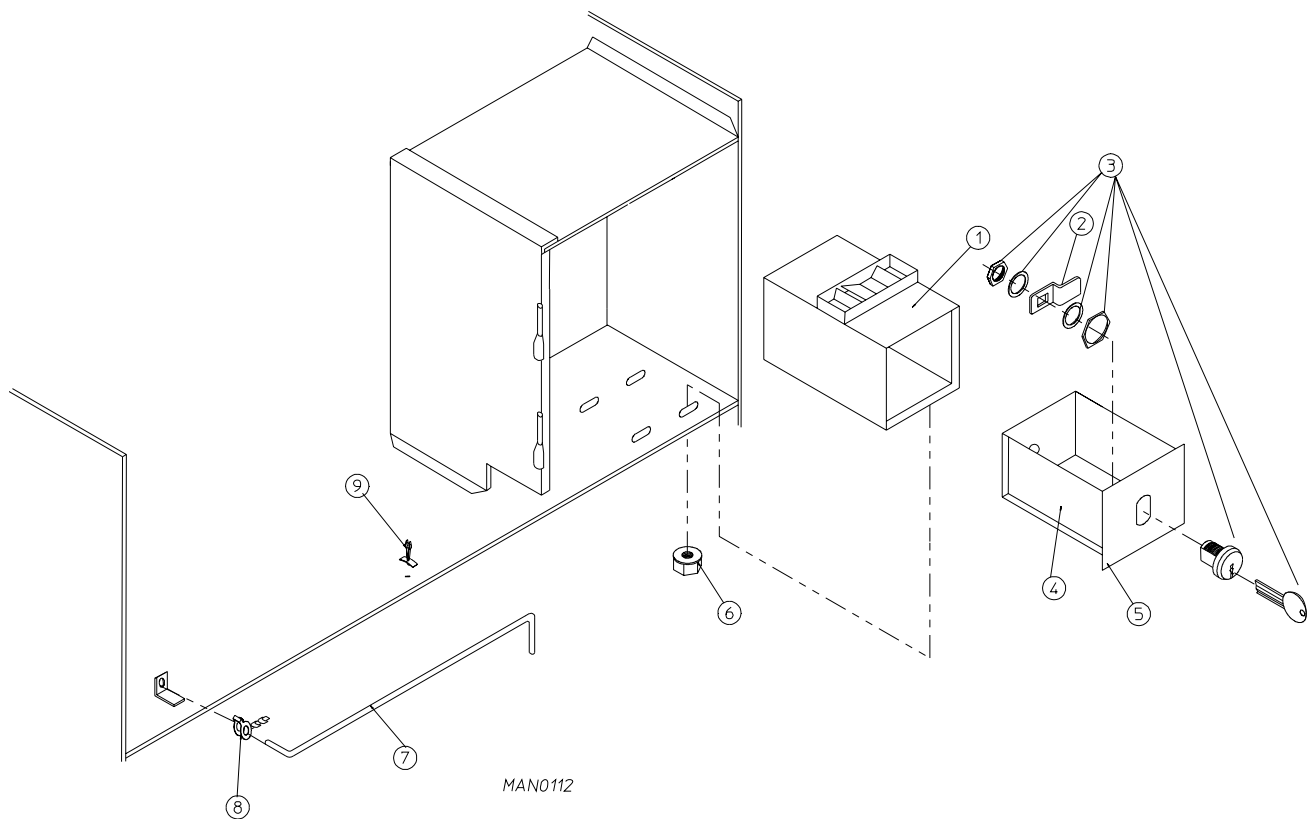


<u>Illus. No.</u>	<u>Part No.</u>	<u>Qty.</u>	<u>Description</u>
1	124030	1	15 Minute Timer - 24 VAC
2	124025	1	60 Minute Timer - 24 VAC
3	824175	1	Red Pilot Light - 24 VAC
4	122301	1	"Tap Touch" Switch
5	131932	3	Relay SPST 24v
6	120730	1	30-Position Terminal Block
7	151000	6	#6-32 Pal Nut
8	882903	1	Dual Timer Panel Complete (includes illus. nos. 1 through 15)
	850392	-	Dual Timer Panel ONLY
9	153010	2	#6 Star Washer
10	152000	3	#6-32 Hex Nut
11	150207	2	#10-24 x 1/2" Phillips Pan Head Machine Screw
12	150110	4	#8-32 x 1/4" Phillips Round Head Machine Screw
13	112563	1	Dual Timer Panel Overlay
14	124104	1	Pure Touch Knob with Red Pointer
15	124105	1	Pure Touch Knob with Blue Pointer



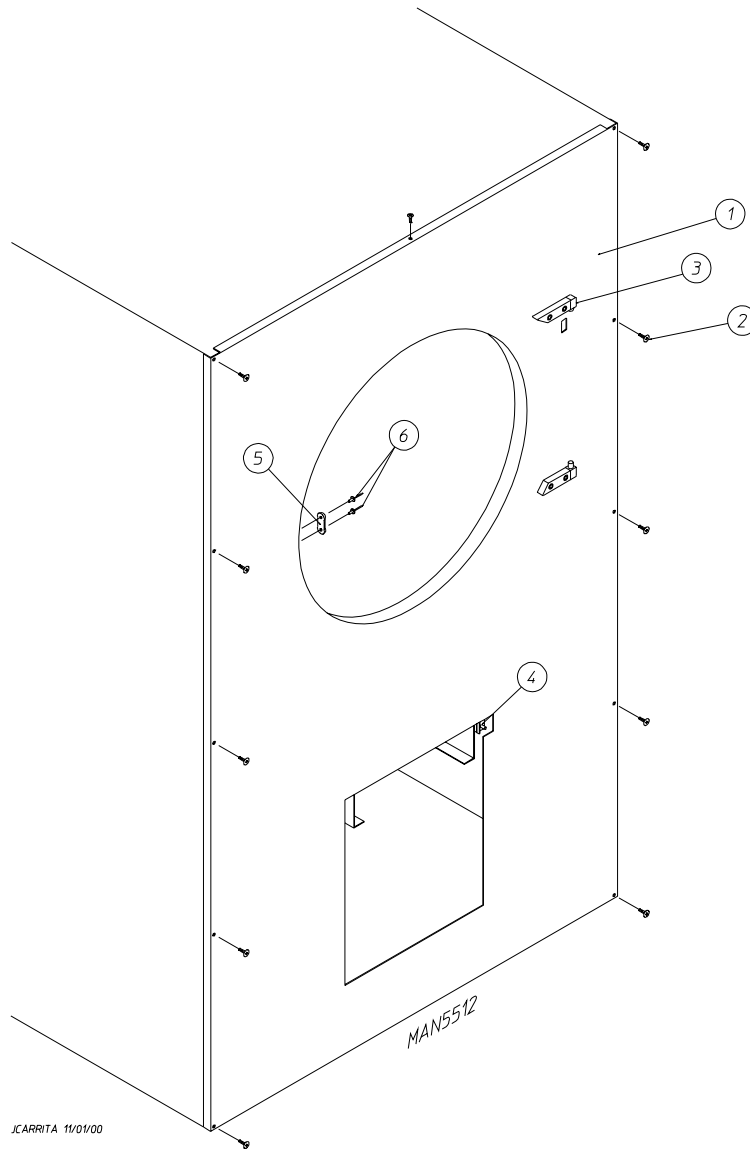
<u>Illus. No.</u>	<u>Part No.</u>	<u>Qty.</u>	<u>Description</u>
1	132002	1	Transformer (for mechanical steam damper models - 208 VAC and higher Only)
2	150300	2	#10-16 x 1/2" Hex Washer TEK Screw
3	150301	2	#8-18 x 7/16" Phillips Pan Head TEK Screw
4	131931	1	Steam Valve Relay - 24 VAC (for mechanical steam damper models Only)
5	137035	1	Capacitor (for mechanical steam damper models Only)
6	323583	1	Capacitor Bracket (for mechanical steam damper models Only)
7	150300	2	#10-16 x 1/2" Hex Washer TEK Screw
8	122641	1	15-Pin Microprocessor Controller (computer) Connector
9	122706	*	Socket Terminal ONLY
---	122801	1	Pin/Socket Extraction Tool
10	150301	2	#8-18 x 7/16" Phillips Pan Head TEK Screw
11	132198	1	Reversing Timer 24v (for reversing dual timer models Only)

* As required.

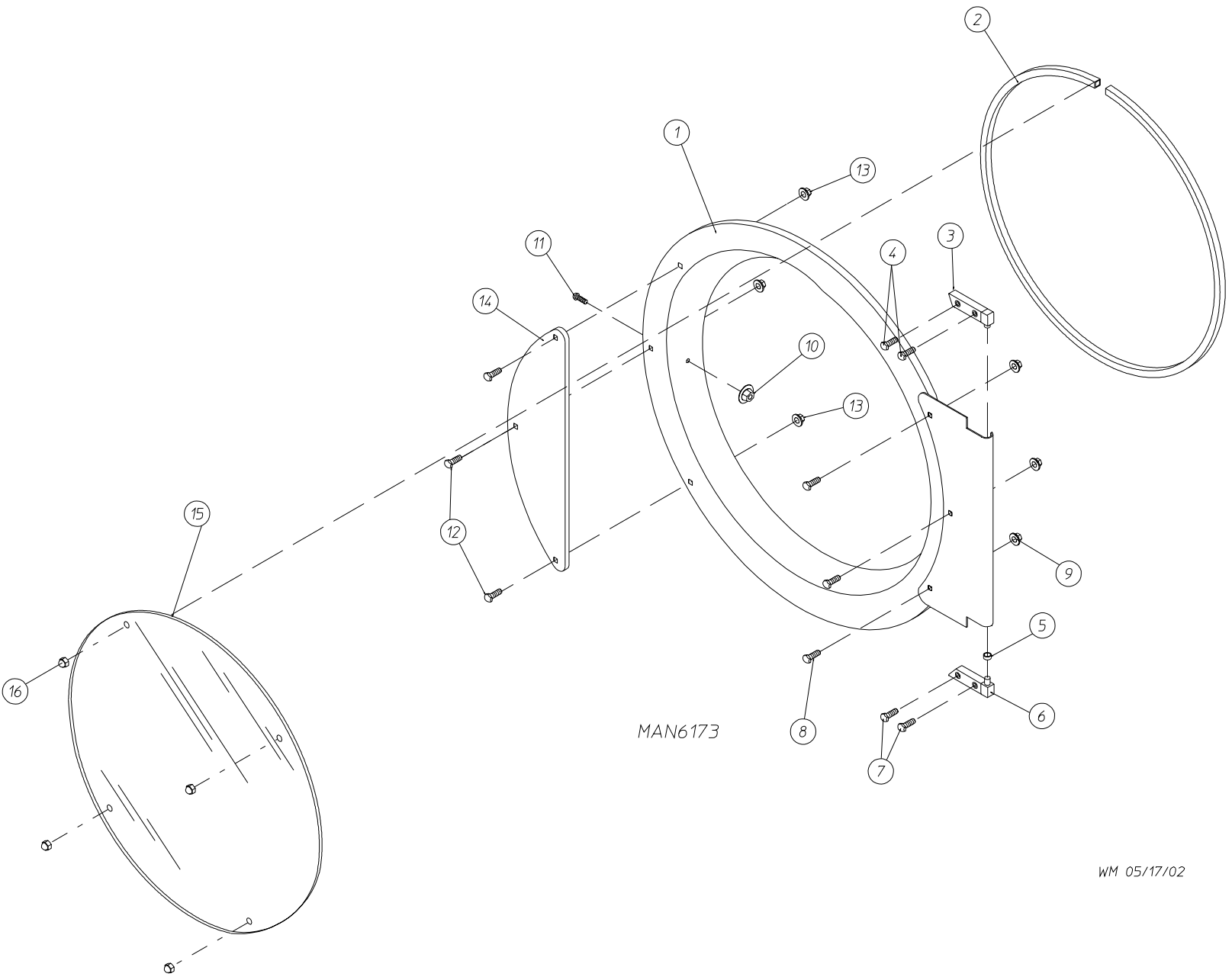


<u>Illus. No.</u>	<u>Part No.</u>	<u>Qty.</u>	<u>Description</u>
1	802112	1	Microprocessor Coin Vault Assembly Complete (includes illus. nos. 1 through 6)
	802117	1	Microprocessor Coin Vault ONLY
2	160028	1	Cam for 1/4 Turn Lock ONLY
3	875061	1	1/4 Turn Lock with Key and Cam
	160105*	1	1/4 Turn Mer-Pel Key ONLY
4	802020	1	1/4 Turn Coin Box Assembly (includes illus. nos. 2 through 5)
	802019	1	1/4 Turn Coin Box ONLY without Faceplate
	125915	1	High Security (Greenwald) Coin Box ONLY with Key
5	802018	1	1/4 Turn Coin Box Faceplate ONLY
6	152014	4	1/4-20 with 3/4" Free Spin Wash Nut
7	102502	1	Control Door Support Rod
8	102601	1	Control Door Rod Retainer Clip
9	102603	1	Control Door Rod Support Catch

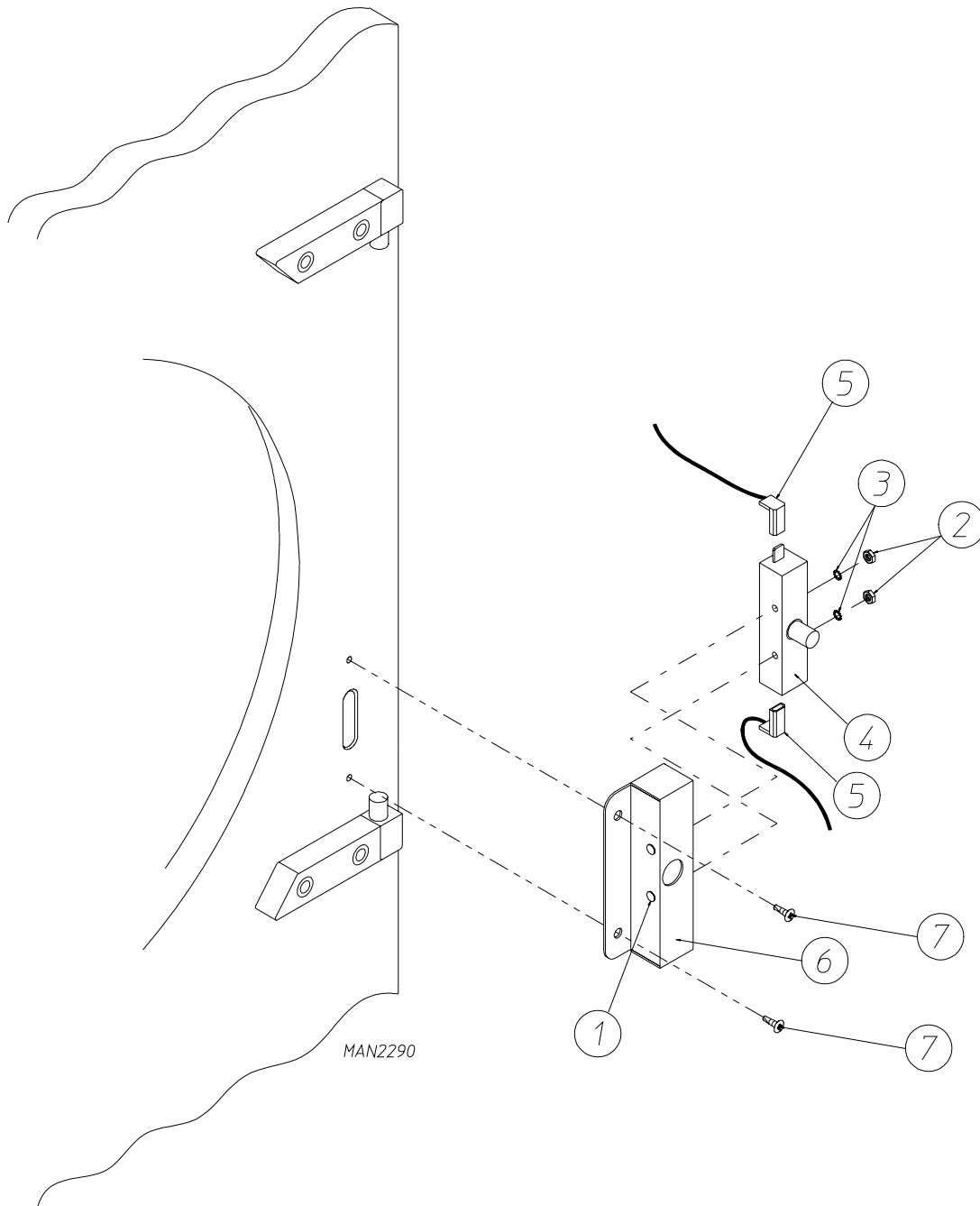
* Specify key number when ordering.



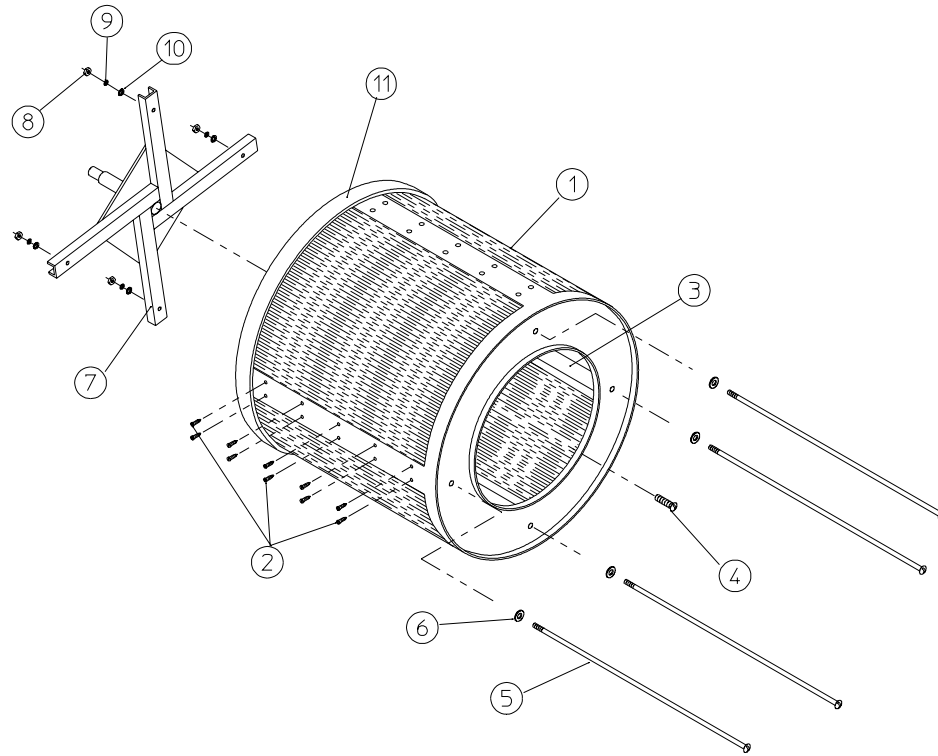
<u>Illus. No.</u>	<u>Part No.</u>	<u>Qty.</u>	<u>Description</u>
1	882905	1	White Front Panel Assembly (includes illus. nos. 1, 5, and 6)
	882901	1	Coral Blue Front Panel Assembly (includes illus. nos. 1, 5, and 6)
	882902	1	Ivory Front Panel Assembly (includes illus. nos. 1, 5, and 6)
2	150313	11	#10-16 x 1/2" TORX Plus BTN Type 1
	150318	1	25 IP TORX Plus Bit 1/4 Hex (for removal of TORX head screw)
3	-----	1	Main Door Hinge (refer to Main Door "Steel" Assembly on page 12 and page 13)
4	-----	1	Lint Drawer Switch (refer to Lint Drawer/Lint Drawer Switch Assembly on page 16)
5	881987	1	Friction Door Latch (includes illus. nos. 5 and 6)
6	154215	2	5/32" Pop Rivet



<u>Illus. No.</u>	<u>Part No.</u>	<u>Qty.</u>	<u>Description</u>
1	881150	1	Black Main Door Assembly Complete (includes illus. nos. 1, 2, and 8 through 15)
2	102354	1	Door Gasket
	170731	1	Black Glass Adhesive (10.3 oz. cartridge)
3	881152	1	Black Top Hinge Block Assembly (includes illus. nos. 3 and 4)
4	150445	2	1/4-20 x 3/4" Black Cap Head Setscrew
5	153031	1	1/4" Nylon Washer
6	881151	1	Black Bottom Hinge Block Assembly (includes illus. nos. 5 through 7)
7	150445	2	1/4-20 x 3/4" Black Cap Head Setscrew
8	150683	3	1/4-20 x 5/8" Black Carriage Bolt
9	152014	3	1/4-20 with 3/4" Free Spin Wash Nut
10	151010	1	#10-32 Black Hex Acorn Nut
11	150120	1	Door Latch Screw
12	150683	3	1/4-20 x 5/8" Black Carriage Bolt
13	152014	3	1/4-20 with 3/4" Free Spin Wash Nut
14	881210	1	Black Main Door Handle ONLY
15	102211	1	20-7/16" Door Glass (for models mfd. prior to February 8, 2001 and as of March 13, 2001)
	102218	1	20-7/16" Door Glass with Notch and Four (4) Holes (for models mfd. between February 8, 2001 and March 13, 2001)
	170731	1	Black Glass Adhesive (10.3 oz. cartridge)
16	151013	4	#10-32 Black Nylon Acorn Nut (for models mfd. between February 8, 2001 and March 13, 2001)



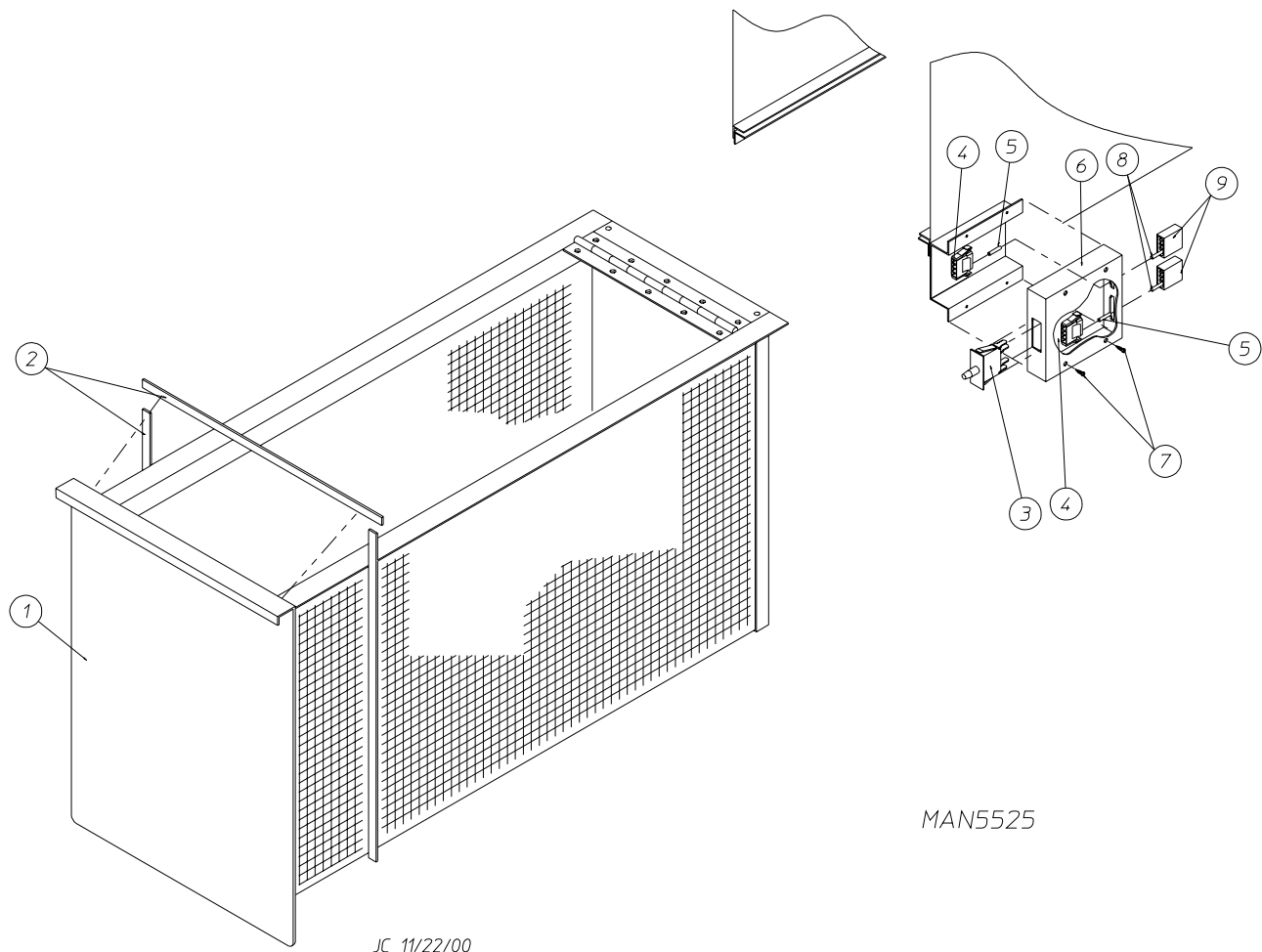
<u>Illus. No.</u>	<u>Part No.</u>	<u>Qty.</u>	<u>Description</u>
1	150006	2	#6-32 x 7/8" Phillips Pan Head Machine Screw
2	152013	2	#6-32 Hex Nut
3	153010	2	#6 Star Washer
4	137005	1	Door Switch
5	122636	2	Flag Terminal
6	881211	1	Black Main Door Switch Housing ONLY
	881153	1	Black Main Door Switch Housing Complete (includes illus. nos. 1 through 4 and 6)
7	150301	2	#8-18 x 7/16" Phillips Pan Head TEK Screw



MAN0251

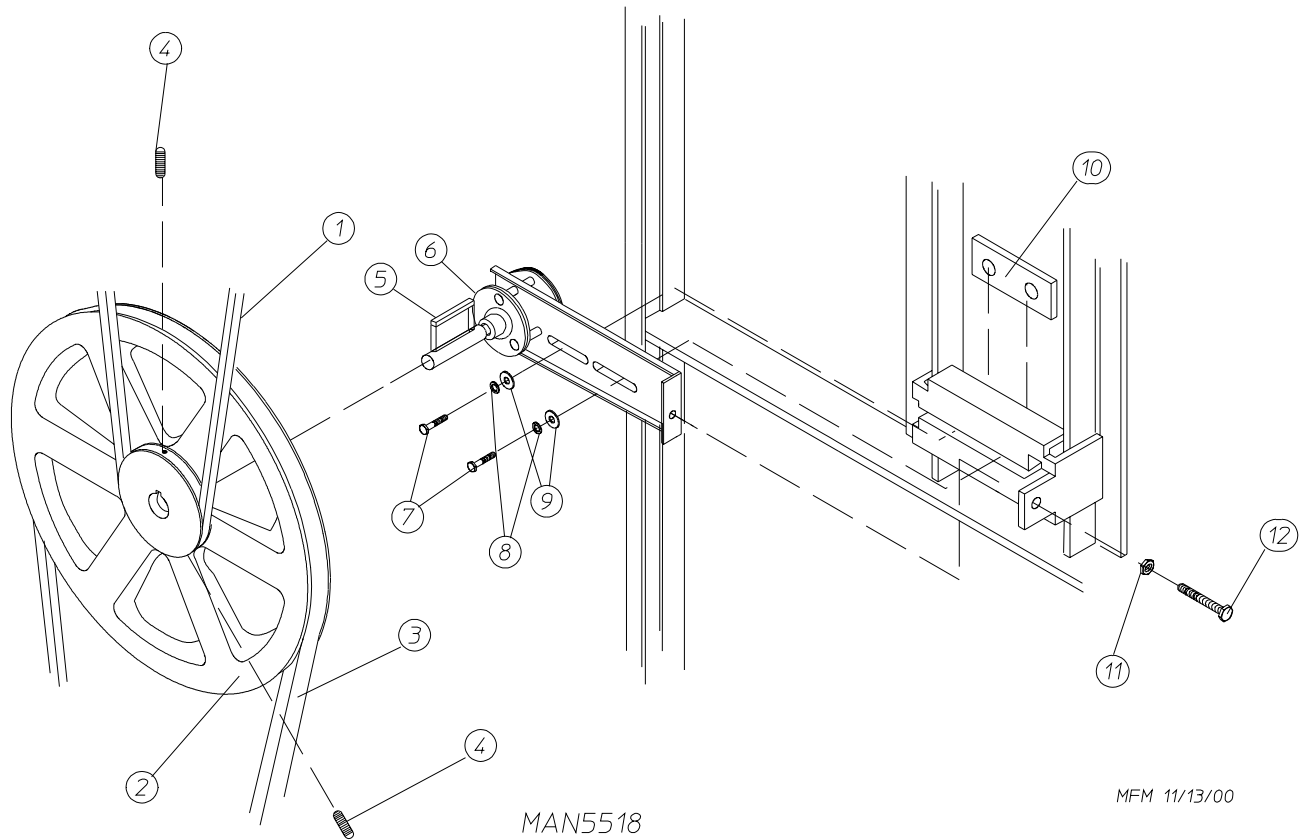
Illus. No.	Part No.	Qty.	Description
1*	800708	1	Basket (tumbler) ONLY without Felt Collar
	800857	1	Stainless Steel Basket (tumbler) ONLY without Felt Collar
	800816	1	Basket (tumbler) and Support Assembly Complete (includes illus. nos. 1 through 10)
	800873	1	Stainless Steel Basket (tumbler) and Support Assembly Complete (includes illus. nos. 1 through 10)
2	150413	40	#10-16 x 1/2" TORX Head Crimptite Screw
	150429	1	TORX Hand Driver (for removal of TORX head screw)
3	301308	4	Basket (tumbler) Rib ONLY
	301408	4	Stainless Steel Basket (tumbler) Rib ONLY
4	150500	1	5/16-18 x 3/4" Socket Button Head Screw
5	100905	4	3/8-16 x 37" Tie Rod
6	153004	4	3/8" Flat Washer
7	800613	1	Basket (tumbler) Support ONLY
	100724	1	1/4" x 1/4" x 1-1/4" Basket (tumbler) Support Key (for models mfd. as of July 1, 2001)
	100713	1	1/4" x 1/4" x 7/8" Basket (tumbler) Support Key (for models mfd. prior to July 1, 2001)
8	152005	4	3/8-16 Hex Nut
9	153005	4	3/8" Lock Washer
10	153004	4	3/8" Flat Washer
11	116000	1	Felt Collar ONLY
---	401010	1	#847 Adhesive for Felt Collar

* Felt collar is not included and **must be** ordered separately.

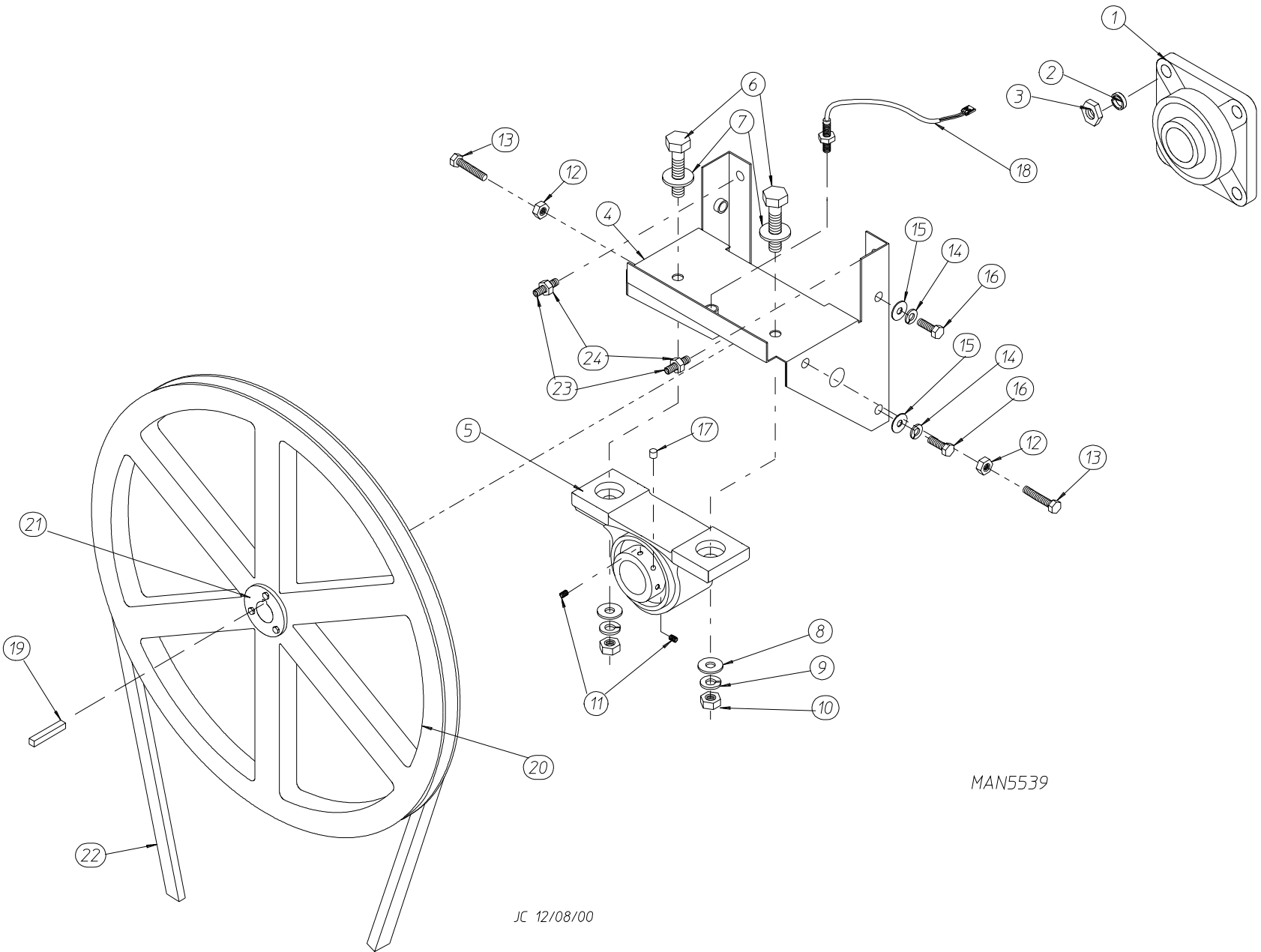


MAN5525

<u>Illus. No.</u>	<u>Part No.</u>	<u>Qty.</u>	<u>Description</u>
1	882871	1	Lint Drawer Assembly (white) (includes illus. nos. 1 and 2)
	882920	1	Lint Drawer Assembly (coral blue) (includes illus. nos. 1 and 2)
	882919	1	Lint Drawer Assembly (ivory) (includes illus. nos. 1 and 2)
2	117605	5	Gasket (sold by the foot)
3	122116	1	Lint Drawer Switch
4	122605	2	4-Pin Socket Connector ONLY
5	122701	4	Socket Terminal ONLY
	122801	1	Pin/Socket Extraction Tool
6	818087	1	Lint Drawer Switch Box Assembly (includes illus. nos. 4 and 6)
	304136	1	Lint Drawer Switch Box Cover
7	150301	2	#8-18 x 7/16" Phillips Pan Head TEK Screw
8	122700	4	Pin Terminal ONLY
9	122604	2	4-Pin Connector ONLY



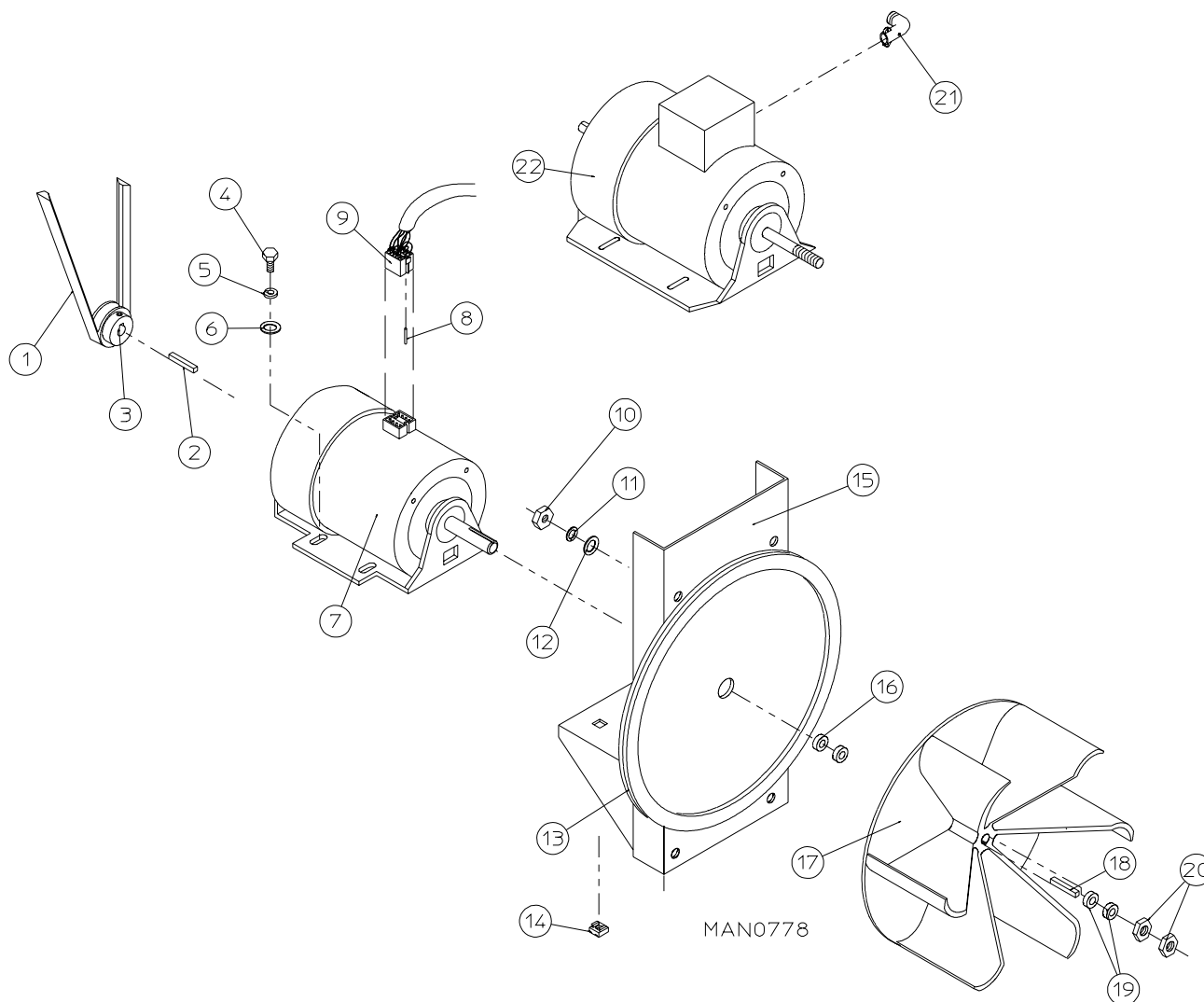
<u>Illus. No.</u>	<u>Part No.</u>	<u>Qty.</u>	<u>Description</u>
1	100108	1	5L-680 V-Belt (basket [tumbler] to idler) For Both Reversing and Non-Reversing Models
2	101140	1	14" x 3" Compound Pulley
3	100194	1	4L-720 V-Belt (idler to motor) For Non-Reversing Models ONLY
	100109	1	4L-650 V-Belt (idler to motor) For Reversing Models ONLY
4	154301	2	5/16-18 x 1" Allen Setscrew
5	100705	1	3/16" x 3/16" x 1-3/8" Key
6	882576	1	Idler Bearing Assembly Complete (includes illus. nos. 5 through 12)
7	150617	2	3/8-16 x 1" Hex Head Machine Bolt
8	153005	2	3/8" Lock Washer
9	153004	2	3/8" Flat Washer
10	801009	1	Idler Square Washer
11	152004	1	5/16-18 Hex Nut
12	150509	1	5/16-18 x 3" Hex Head Machine Bolt



MAN5539

JC 12/08/00

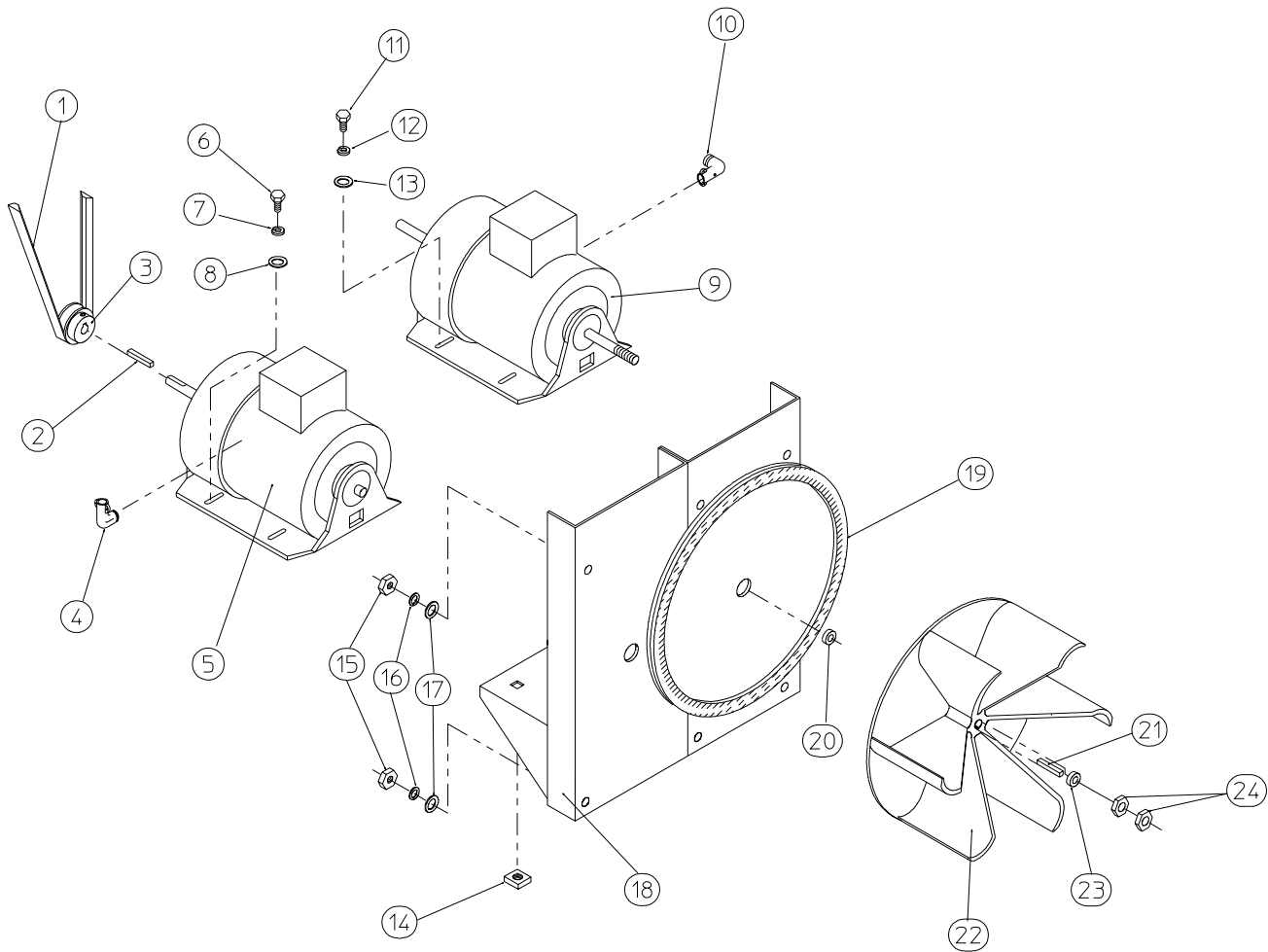
<u>Illus. No.</u>	<u>Part No.</u>	<u>Qty.</u>	<u>Description</u>
1	880220	1	1-3/4" Flange Bearing
2	153025	4	9/16" Lock Washer
3	152050	4	9/16-12 Hex Nut
4	883258	1	Pillow Block Bearing Assembly Complete (includes illus. nos. 4 through 17, 23 and 24)
	882545	1	Pillow Block Bearing Assembly Complete with Rotational Sensor (includes illus. nos. 4 through 18, 23 and 24)
	882542	1	Pillow Block Bearing Platform ONLY
	882543	1	Pillow Block Bearing Platform ONLY (for models with optional rotation sensor)
5	880202	1	1-3/8" Pillow Block Bearing
	880779	1	1-3/8" Pillow Block Bearing (for models with optional rotation sensor)
6	150601	2	3/8-16 x 2" Hex Bolt
7	153004	2	3/8" Flat Washer
8	153004	2	3/8" Flat Washer
9	153005	2	3/8" Lock Washer
10	152005	2	3/8-16 Hex Nut
11	154326	2	5/16-24 x 3/8" Setscrew
12	152004	2	5/16-18 Hex Nut
13	150621	2	5/16-18 x 1-1/2" Tap Bolt
14	153002	4	5/16" Lock Washer
15	153004	6	3/8" Flat Washer
16	150501	4	5/16-18 x 3/4" Tap Bolt
17	102120	1	Sintered 8 Magnet (for models with optional rotation sensor)
18	824807	1	Rotational Sensor Assembly (for models with optional rotation sensor)
19	100735	1	Shaft Key (for reversing models Only)
20	101100	1	18" Pulley (for non-reversing models Only)
	101118	1	18-3/4" Pulley (for reversing models Only)
21	101110	1	1" Taper Lock Bushing (for reversing models Only)
22	100108	1	5L-680 V-Belt (basket [tumbler] to idler) For Both Reversing and Non-Reversing Models
23	150610	2	5/16-18 x 1-1/2 Allen Setscrew
24	152004	2	5/16-18 Hex Nut



<u>Illus. No.</u>	<u>Part No.</u>	<u>Qty.</u>	<u>Description</u>
1	100194	1	4L-720 V-Belt (idler to motor)
2	100701	1	3/16" x 3/16" x 1" Key
3	101133	1	5/8" x 2-1/4" Motor Pulley (60 Hz Only)
	101130	1	5/8" x 2-1/2" Motor Pulley (50 Hz Only)
4	150501	4	5/16-18 x 3/4" Tap Bolt
5	153002	4	5/16" Lock Washer
6	153001	4	5/16" Flat Washer
7	100073	1	1 hp 115/208-230v 60 Hz 1 ϕ (for 60 Hz models mfd. as of August 29, 2002)
	181050	1	1 hp 200-240v 50 Hz 1 ϕ (for 50 Hz models mfd. as of August 2, 2002)
	100069	1	3/4 hp 120/208/230v 1 ϕ 60 Hz Totally Enclosed, Fan-Cooled (T.E.F.C.) Motor with Plug (56Z frame) for Models Mfd. prior to August 29, 2002
	100068	1	3/4 hp 240v 50 Hz 1 ϕ Motor with Plug (for 50 Hz models mfd. prior to August 2, 2002)

<u>Illus. No.</u>	<u>Part No.</u>	<u>Qty.</u>	<u>Description</u>
8	122701	8	Socket Terminal ONLY
	122801	1	Pin/Socket Extraction Tool
9	137030	1	8-Pin Housing Connector
10	152004	4	5/16-18 Hex Nut
11	153002	4	5/16" Lock Washer
12	153001	4	5/16" Flat Washer
13	117604	4	Neoprene Sponge Tape (sold by the foot)
14	154000	4	5/16-18 Tinnerman Nut
15	850018	1	Non-Reversing Motor Mount ONLY (56Z frame)
	803945	1	1 hp 120/230v 1 ϕ 60 Hz Totally Enclosed, Fan-Cooled (T.E.F.C.) Motor Mount Assembly with Plug Complete (includes illus. nos. 2 through 7 and 13 through 20)
	801824	1	1 hp 230v 1 ϕ 50 Hz Non-Reversing Motor Mount Assembly Complete (includes illus. nos. 2 through 7 and 13 through 20)
	804028*	1	1 hp 208/460v 60 Hz 3 ϕ Motor Mount Assembly (includes illus. nos. 2 through 6 and 13 through 22)
	804033*	1	1 hp 380-416v 50 Hz 3 ϕ Motor Mount Assembly (includes illus. nos. 2 through 6 and 13 through 22)
16	153051	1	3/4" S.A.E. Flat Washer
17	882670	1	16" Impellor (3/4" bore) for 1 ϕ 60 Hz Models Mfd. as of August 29, 2002 and 50 Hz models mfd. as of August 2, 2002
	802100	1	16" Impellor (1/2" bore) for 3 ϕ 60 Hz Models Mfd. as of August 29, 2002 and 50 Hz Models Mfd. as of August 2, 2002
	100604	1	12" Impellor (1/2" bore) for 60 Hz Models Mfd. prior to August 29, 2002 and 50 Hz Models Mfd. prior to August 2, 2002
18	100702	1	3/16" x 3/16" x 1-7/8" Key
19	153050	2	1/2" S.A.E. Flat Washer
20	152006	2	1/2-20 Left Hand Jam Nut
21	120200	1	3/8" x 90° Connector
22	181115	1	1 hp 208/460v 60 Hz 380v 50 Hz 3 ϕ Motor

* Specify voltage when ordering.



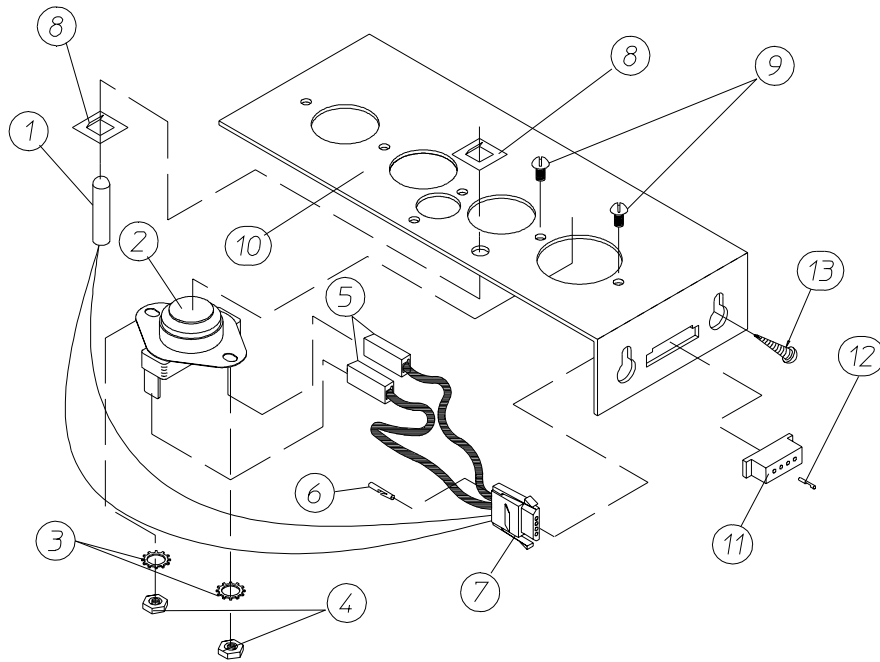
MAN0250

<u>Illus. No.</u>	<u>Part No.</u>	<u>Qty.</u>	<u>Description</u>
1	100109	1	4L-650 V-Belt (to idler assembly)
2	100701	1	3/16" x 3/16" x 1" Key
3	101130	1	5/8" x 2-1/2" Motor Pulley (50 Hz Only)
	101133	1	5/8" x 2-1/4" Motor Pulley (60 Hz Only)
4	120200	1	3/8" x 90° Connector
5	181003	1	1/2 hp 208/230/380/460v 3ø 50/60 Hz Totally Enclosed, Fan-Cooled (T.E.F.C.) Motor (56Z frame)
6	150501	4	5/16-18 x 3/4" Tap Bolt
7	153002	4	5/16" Lock Washer
8	153001	4	5/16" Flat Washer
9*	100007	1	1/2 hp 220/230/380/460v 3ø 50/60 Hz Totally Enclosed, Fan-Cooled (T.E.F.C.) Motor with 3/4" Shaft (56Z frame)
10	120200	1	3/8" x 90° Connector
11	150501	4	5/16-18 x 3/4" Tap Bolt
12	153002	4	5/16" Lock Washer
13	153001	4	5/16" Flat Washer
14	154000	8	5/16-18 Tinnerman Nut
15	152004	7	5/16-18 Hex Nut
16	153002	7	5/16" Lock Washer
17	153001	7	5/16" Flat Washer
18	850021	1	Reversing Motor Mount ONLY (56Z frame)
	804036**	1	60 Hz Reversing Totally Enclosed, Fan-Cooled (T.E.F.C.) Motor Mount Assembly Complete (includes illus. nos. 2 through 14 and 18 through 24)
	804034**	1	50 Hz Reversing Totally Enclosed, Fan-Cooled (T.E.F.C.) Motor Mount Assembly Complete (includes illus. nos. 2 through 14 and 18 through 24)
19	117604	4	Neoprene Sponge Tape (sold by the foot)
20	153051	1	3/4" S.A.E. Flat Washer
21	100714	1	3/16" x 3/16" x 1-7/8" Key
22	802100	1	16" Impellor (1/2" bore) for 60 Hz Models Mfd. as of August 29, 2002 and 50 Hz Models Mfd. as of August 2, 2002
	100604	1	12-1/2" Impellor (1/2" bore) for 60 Hz Models Mfd. prior to August 29, 2002 and 50 Hz Models Mfd. prior to August 2, 2002
23	153050	***	1/2" S.A.E. Flat Washer
24	152006	2	1/2-20 Left Hand Jam Nut

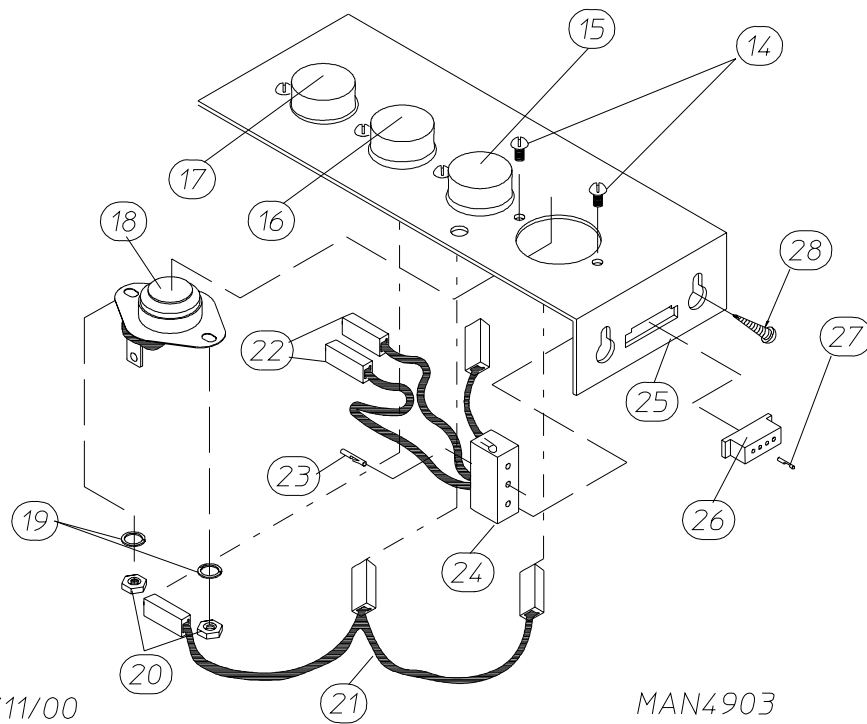
* Check part number on motor data label to verify correct motor.

** Specify voltage when ordering.

*** As required.



MICROPROCESSOR SENSOR BRACKET ASSEMBLY

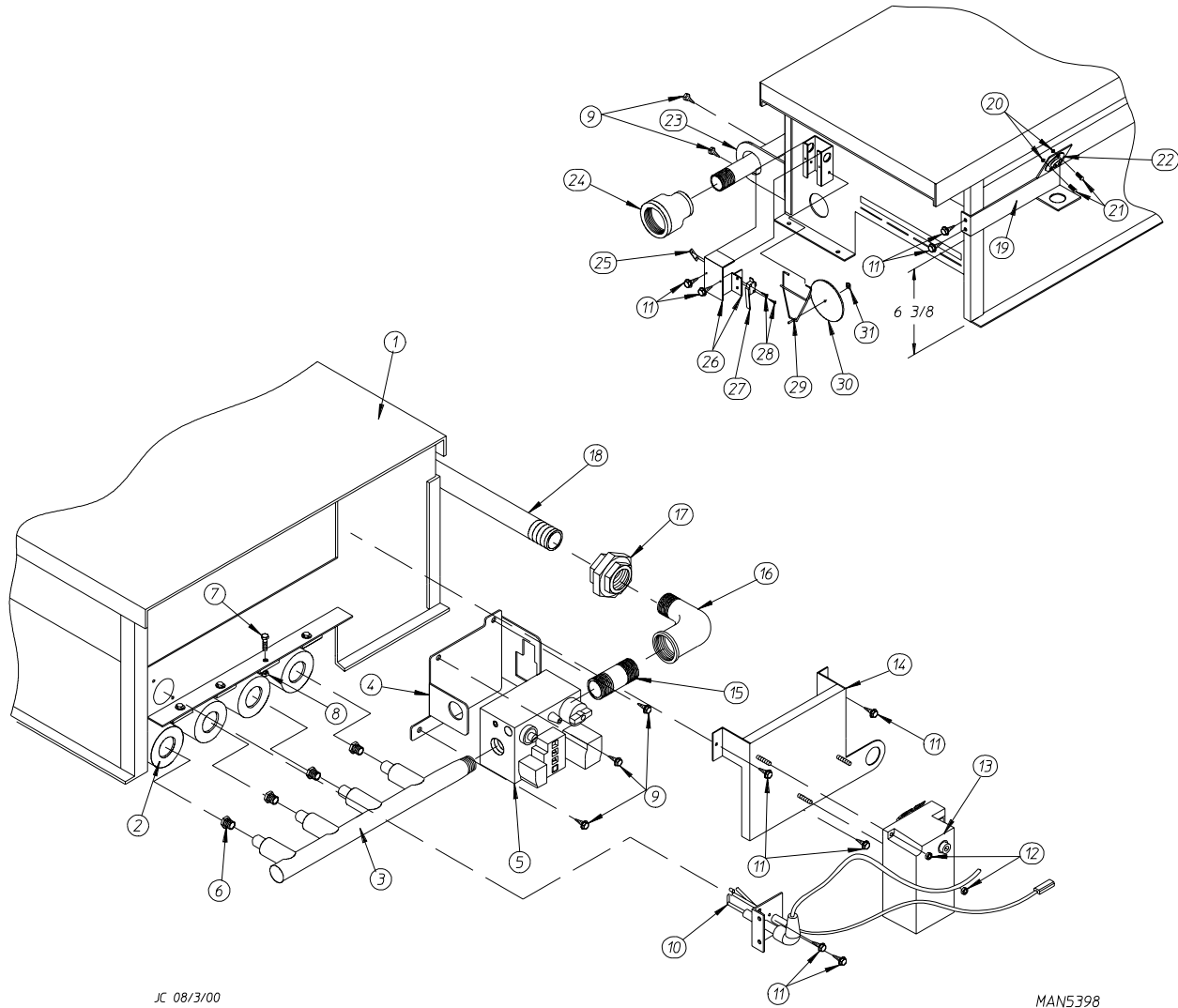


DX 01/11/00

MAN4903

NON-COMPUTER SENSOR BRACKET ASSEMBLY

<u>Illus. No.</u>	<u>Part No.</u>	<u>Qty.</u>	<u>Description</u>
1	880251	1	1/4" Temperature Sensor Probe Assembly (includes illus. nos. 1 and 5 through 8)
2	130103	1	225° Automatic Reset Thermostat
3	153010	2	#6 Star Washer
4	152000	2	#6-32 Hex Nut
5	121028	2	Insulated Female Terminal
6	122701	4	Socket Terminal ONLY
	112801	1	Pin/Socket Extraction Tool
7	122605	1	4-Pin Socket Connector ONLY
8	154007	2	1/4" Tinnerman Push On Fastener
9	150005	2	#6-32 x 1/4" Phillips Round Head Machine Screw
10	824051	1	Microprocessor Sensor Bracket Assembly Complete (includes illus. nos. 1 through 10)
	322062	1	Universal Sensor Bracket ONLY
11	122604	1	4-Pin Connector ONLY
12	122700	4	Pin Terminal ONLY
13	150301	2	#8-18 x 7/16" Phillips Pan Head TEK Screw
14	150005	5	#6-32 x 1/4" Phillips Round Head Machine Screw
15	130111	1	130° Large Thermostat
16	130100	1	150° Large Thermostat
17	130103	1	225° Automatic Reset Thermostat
18	130101	1	180° Large Thermostat
19	153010	5	#6 Star Washer
20	152000	5	#6-32 Hex Nut
21	882535	1	Sensor Jumper ONLY
22	121028	4	Insulated Female Terminal
23	122701	4	Socket Terminal ONLY
24	122605	1	4-Pin Socket Connector ONLY
	882534	1	Sensor Bracket Harness Assembly (includes illus. nos. 22 through 24)
25	882536	1	Noncomputer Sensor Bracket Assembly Complete - Includes Thermostats (includes illus. nos. 14 through 25)
	322062	1	Universal Sensor Bracket ONLY
26	122604	1	4-Pin Connector ONLY
27	122700	4	Pin Terminal ONLY
	122801	1	Pin/Socket Extraction Tool
28	150301	2	#8-18 x 7/16" Phillips Pan Head TEK Screw

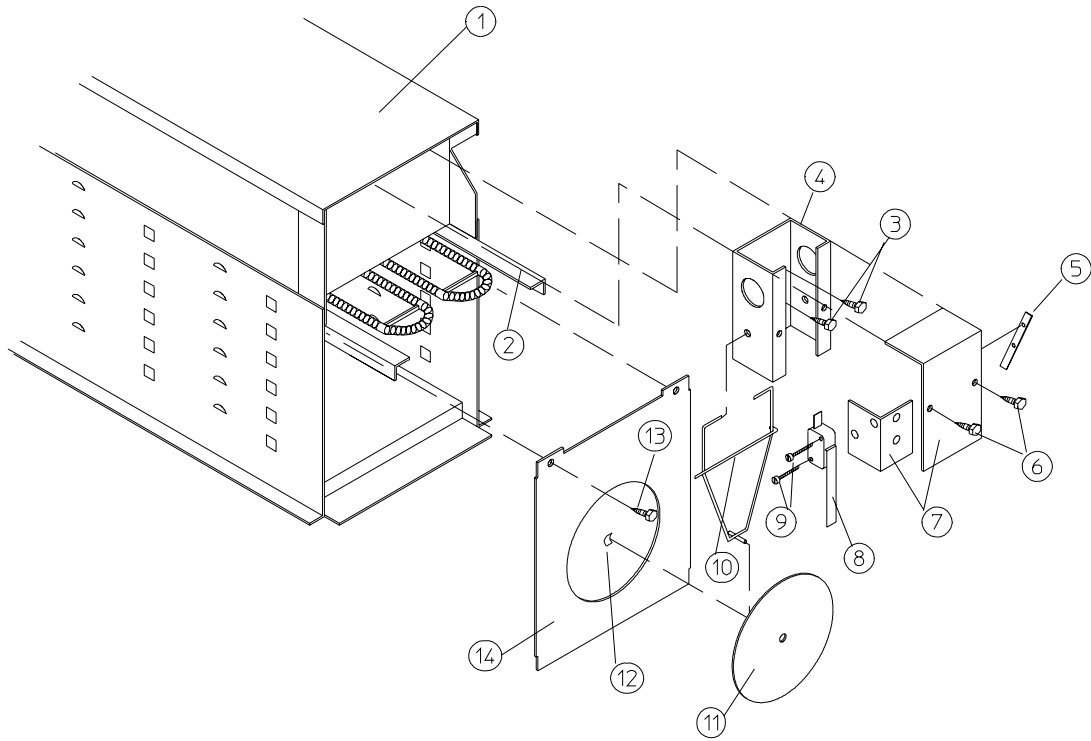


Illus. No.	Part No.	Qty.	Description
1*	882898	1	Natural Gas Burner Assembly Complete (includes illus. nos. 1 through 31) For Models Mfd. with Natural Gas ONLY
	882899	1	Liquid Propane (L.P.) Gas Burner Assembly Complete (includes illus. nos. 1 through 31) For Models Mfd. with Liquid Propane (L.P.) Gas ONLY
	814832	1	Burner Box ONLY
2	141105	4	Large Burner Tube
3	141210	1	3/4" Direct Spark Ignition (DSI) Manifold (4-port)
4	318714	1	Bracket for Horizontal Facing Gas Valve
5	128927	1	1/2" 24 VAC Redundant (natural gas) Gas Valve
	880960	1	1/2" 24 VAC Direct Spark Ignition (DSI) Liquid Propane (L.P.) Gas Valve Assembly
	882230	1	AD-758DV Liquid Propane (L.P.) Conversion Kit
6*	140819	4	#30 Burner Orifice (natural gas) ONLY
	140803	4	#49 Burner Orifice (liquid propane [L.P.] gas) ONLY

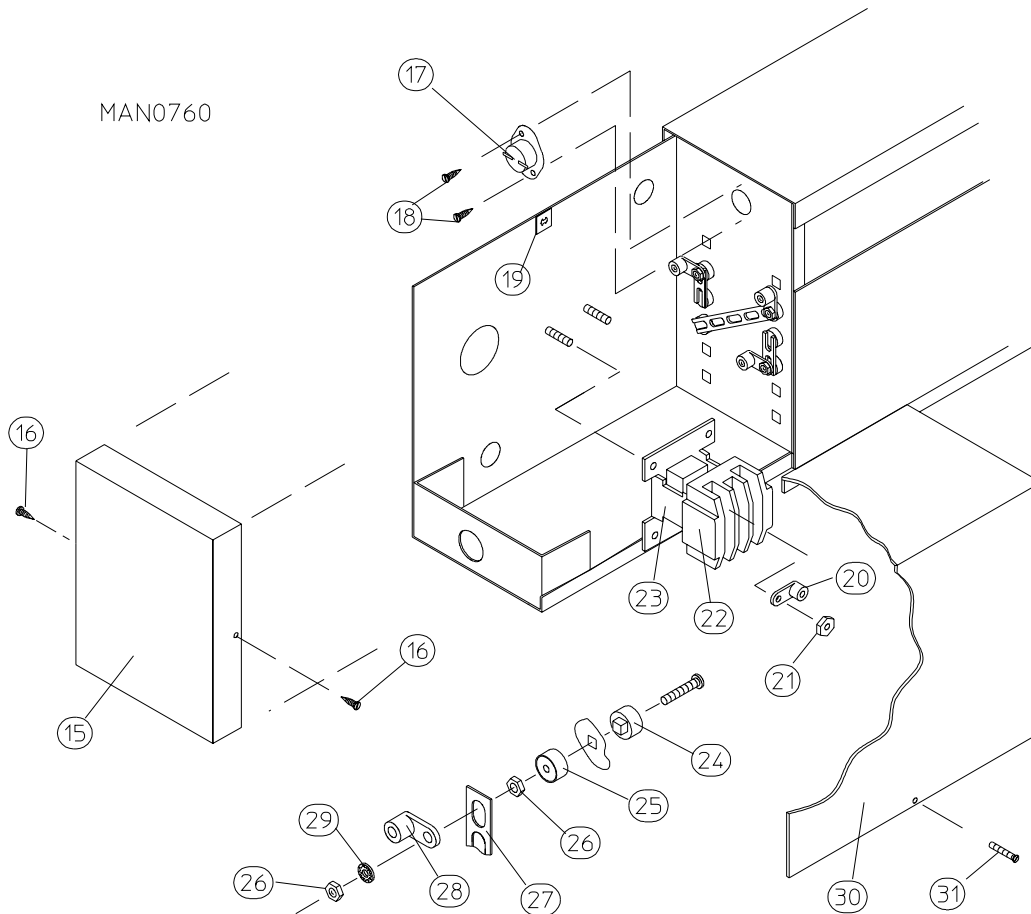
<u>Illus. No.</u>	<u>Part No.</u>	<u>Qty.</u>	<u>Description</u>
7	150103	4	#8-32 x 1/2" Pan Head Machine Screw
8	151001	4	#8-32 Pal Nut
9	150300	5	#10-16 x 1/2" Hex Washer TEK Screw
10	809309	1	Ignitor Probe Assembly with 19" Leads
11	150309	9	#10-16 x 1/2" Hex Head TEK Crimptite Screw
12	152013	2	#6-32 Hex Nut
13	128935	1	Direct Spark Ignition (DSI) Module with Three (3) Tries
14	817027	1	Johnson Controls Direct Spark Ignition (DSI) Module Mounting Bracket
15	142707	4	1/2" x 1-1/2" Long Black Nipple
16	142506	1	1/2" Street Elbow
17	142600	1	1/2" Black Union
18	142809	1	1/2" x 29-1/8" Nipple
19	319704	1	Hi-Limit Mounting Bracket
20	151000	2	#6-32 Pal Nut
21	150001	2	#6-32 x 1/2" Phillips Round Head Machine Screw
22	130201	1	330° Hi-Limit Manual Reset
23	318700	1	Pipe Bracket (bent)
24	143000	1	3/4" to 1/2" Reducing Coupling
25	154004	1	Twin Speed Nut
26	802799	1	Sail Switch Box Cover and Bracket ONLY (refer to Sail Switch Assembly on page 37)
27	122200	1	Sail Switch ONLY
28	150303	2	#4 x 3/4" Pan Head "A" Machine Screw
29	105500	1	Sail Switch Actuator Rod
30	319202	1	Sail Switch Damper (flat)
31	154002	1	1/8" Push On Fastener
**	882772	1	Steam to Gas Interface Plate...Not Illustrated

* Consult factory for elevations over 2,000 feet.

** Needed when converting from steam to gas heat.



ELECTRIC OVEN (FRONT VIEW)

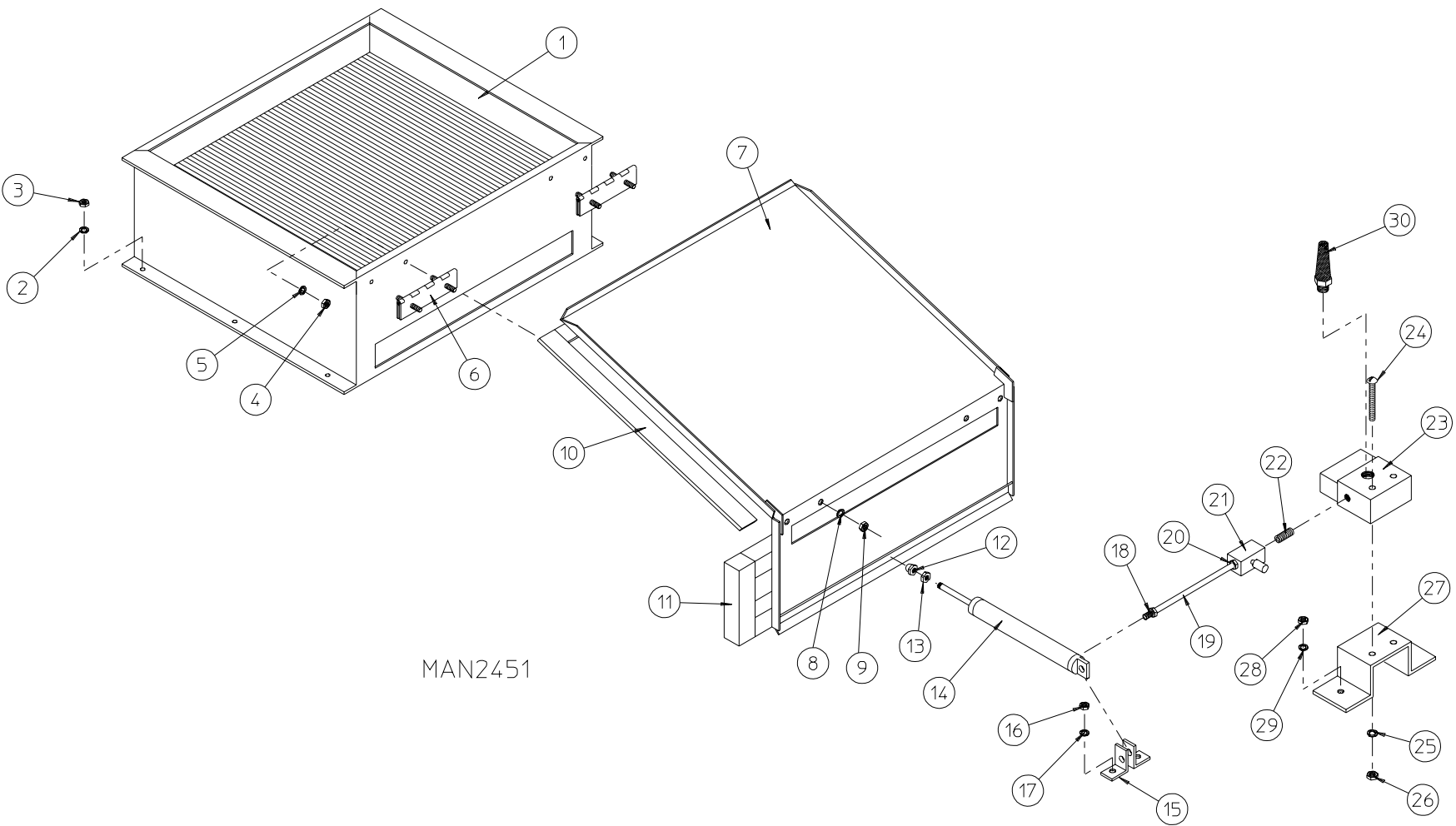


MAN0760

ELECTRIC OVEN (REAR VIEW)

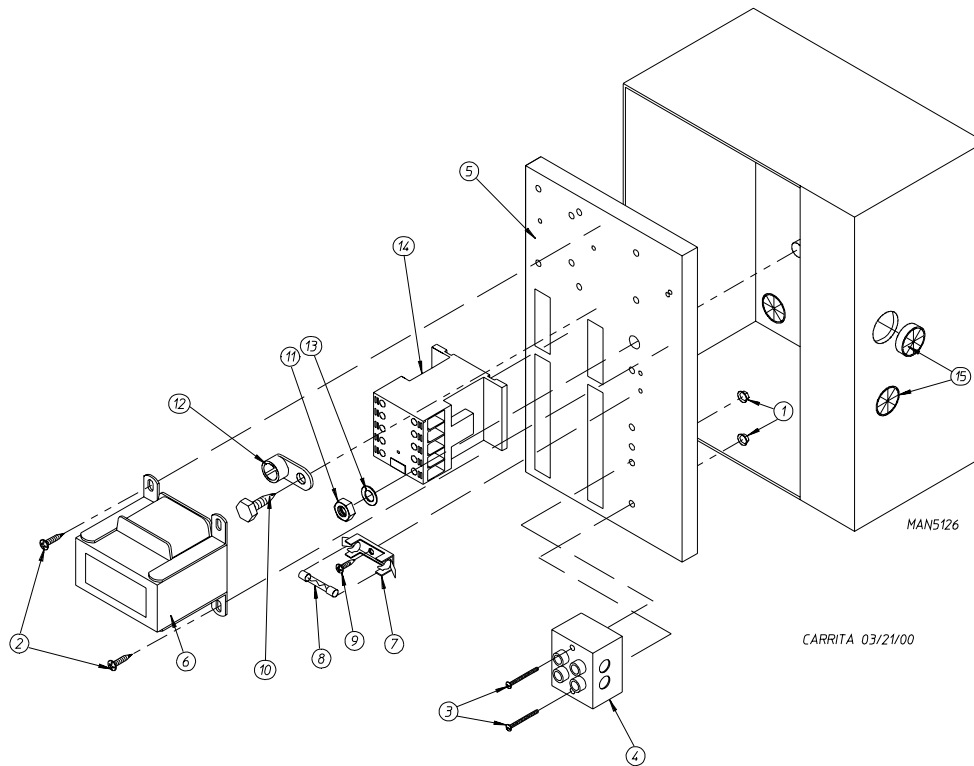
<u>Illus. No.</u>	<u>Part No.</u>	<u>Qty.</u>	<u>Description</u>
1	803005	1	Large Electric Oven Box ONLY
	-----*	1	Electric Oven Assembly Complete
2	-----*	-	Electric Element
3	150300	2	#10-16 x 1/2" Hex Washer TEK Screw
4	802800	1	Sail Switch Box with Bracket and Cover ONLY
	802801	1	Sail Switch Box Assembly Complete (includes illus. nos. 4 through 12)
5	154004	1	Twin Speed Nut
6	150309	2	#10-16 x 1/2" Hex Head TEK Crimptite Screw
7	802799	1	Sail Switch Box Cover and Bracket ONLY (refer to Sail Switch Assembly on page 37)
8	122200	1	Sail Switch ONLY
9	150303	2	#4 x 3/4" Pan Head "A" Machine Screw
10	105500	1	Sail Switch Actuator Rod
11	319202	1	Sail Switch Damper (flat)
12	154002	1	1/8" Push On Fastener
13	150300	2	#10-16 x 1/2" Hex Washer TEK Screw
14	803100	1	Electric Oven Front Cover ONLY
15	320611	1	Large Relay Box Cover ONLY
16	150402	2	#10-24 x 5/8" Slotted Truss Head Machine Screw
17	130400	1	290° Hi-Limit
18	150300	2	#10-16 x 1/2" Hex Washer TEK Screw
19	154001	2	#10-24 Speed Nut
20	121012	1	Terminal Lug for 110-8 Wire
21	152014	3	1/4-20 with 3/4" Free Spin Wash Nut
22	-----*	1	Oven Relay
23	-----*	1	Oven Relay Replacement Coil
24	120081	-	Internal Ceramic Insulator (2 per element)
25	120080	-	External Ceramic Insulator (2 per element)
26	152008	-	#10-32 Hex Nut (4 per element)
27	121011*	-	Bus Bar (sold by the foot)
28	-----*	-	Terminal Lug
29	153009	-	#10 Star Washer (2 per element)
30	320607	1	Large Electric Oven Right Side Cover ONLY
31	150402	2	#10-24 x 5/8" Slotted Truss Head Machine Screw

* Refer to **Electric Oven Component Application Chart** on [page 39](#).

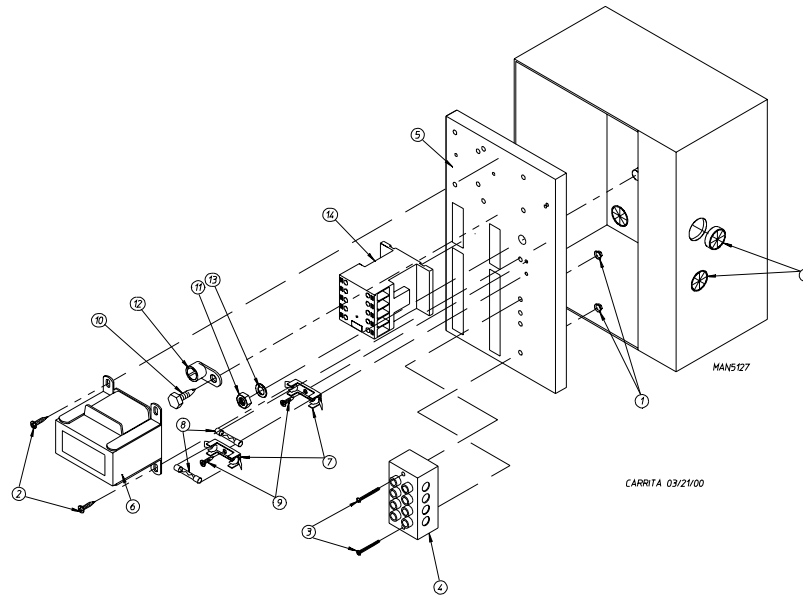


MAN2451

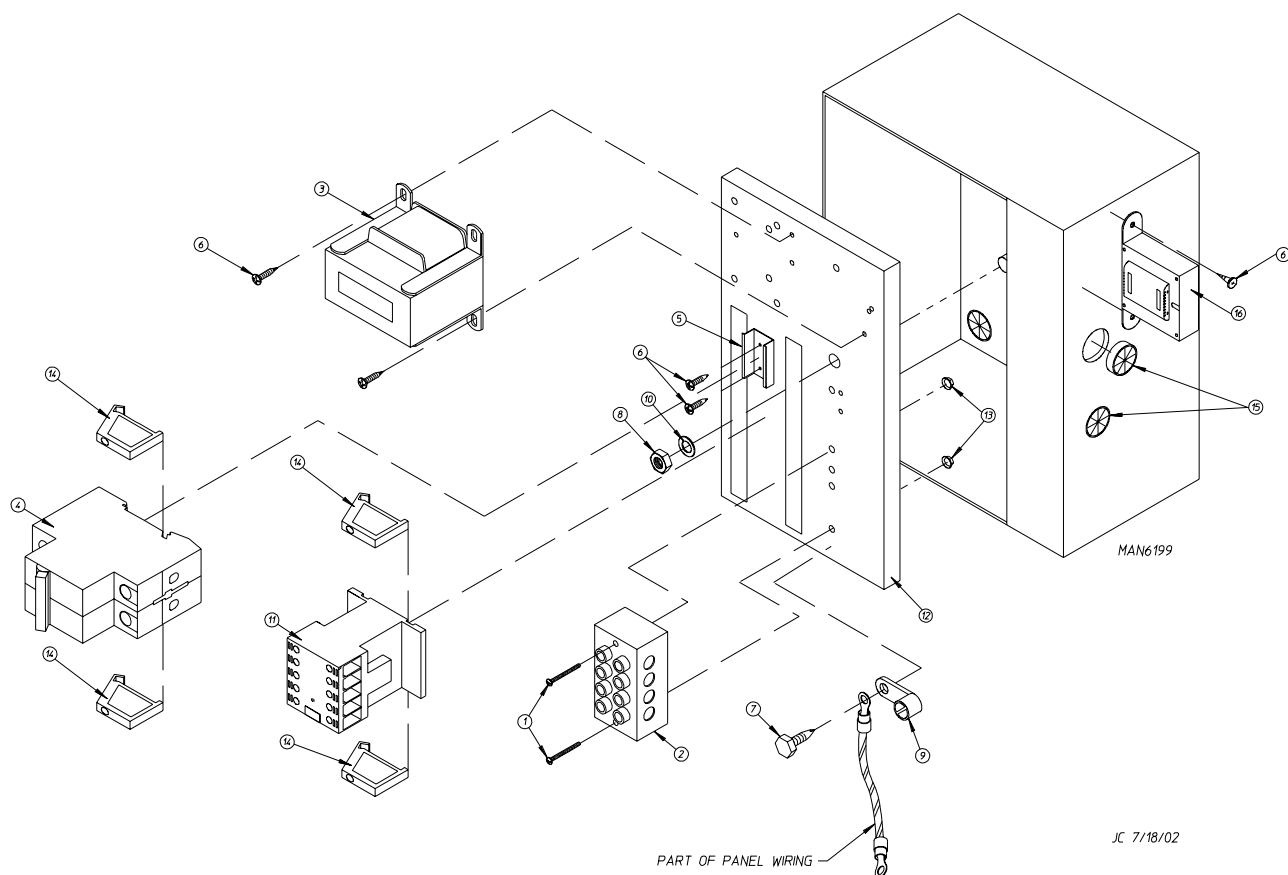
<u>Illus. No.</u>	<u>Part No.</u>	<u>Qty.</u>	<u>Description</u>
1	165009	1	Steam Coil Assembly
2	153002	6	5/16" Lock Washer
3	152004	6	5/16-18 Hex Nut
4	152002	4	1/4-20 Hex Nut
5	153007	4	1/4" Lock Washer
6	820321	2	Steam Damper Hinge Assembly
7	803415	1	Steam Damper Assembly (includes illus. nos. 7, 10, and 11)
8	153007	4	1/4" Lock Washer
9	152002	4	1/4-20 Hex Nut
10	115995	108	Steam Damper Gasket (sold by the inch)
11	102350	1	Steam Damper Foam (68-1/2" length)
12	151007	1	7/16-20 Stainless Steel Acorn Nut
13	152007	1	7/16-20 Hex Nut
14	100497	1	1-1/4" Bore x 3" Stroke Piston
15	100492	1	Piston Support Bracket
16	152002	4	1/4-20 Hex Nut
17	153007	4	1/4" Lock Washer
18	100472	1	1/4" x 1/8" Connector
19	143110	1	1/4" Tubing (sold by the foot)
20	100472	1	1/4" x 1/8" Connector
21	100496	1	1/8" Needle Valve
22	143238	1	1/8" Close Nipple
23	100498	1	3-Way Micro Valve - 24 VAC
24	150002	2	#6-32 x 1" Phillips Round Head Machine Screw
25	153010	2	#6 Star Washer
26	152000	2	#6-32 Hex Nut
27	330987	1	Micro Valve Support Bracket
28	152002	2	1/4-20 Hex Nut
29	153007	2	1/4" Lock Washer
30	100520	1	1/8" N.P.T. Silencer (muffler)



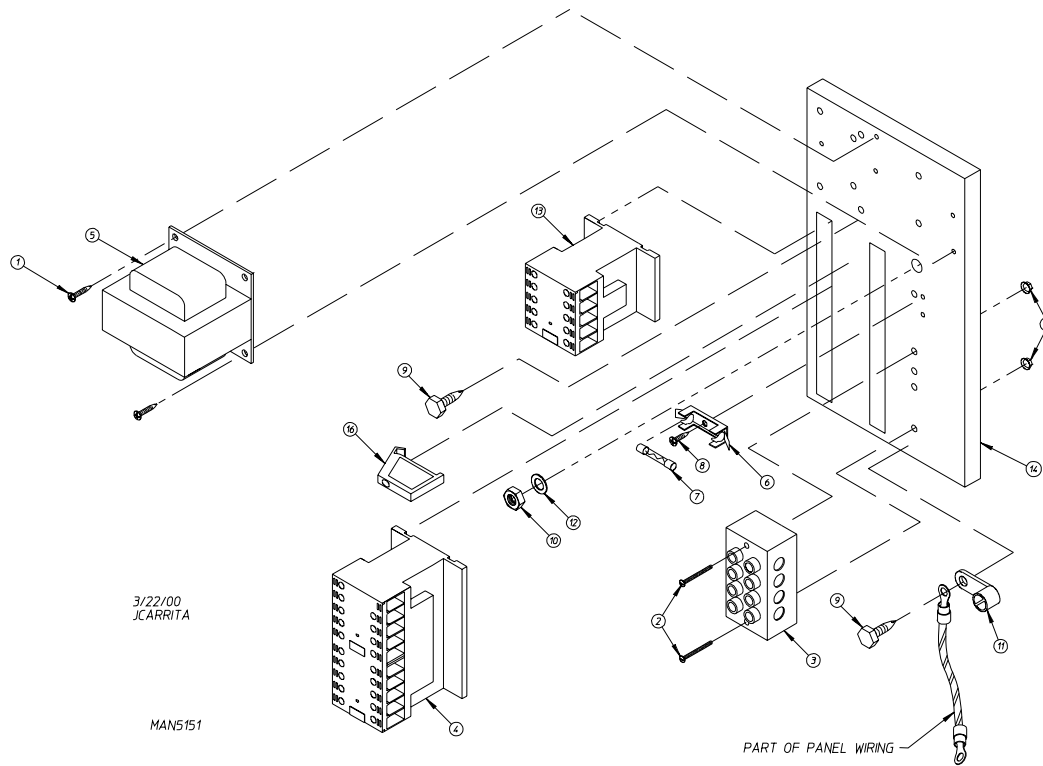
<u>Illus. No.</u>	<u>Part No.</u>	<u>Qty.</u>	<u>Description</u>
1	151000	2	#6-32 Pal Nut
2	150300	2	#10-16 x 1/2" Hex Washer TEK Screw
3	150008	2	#6-32 x 1-1/4" Phillips Pan Head Machine Screw
4	120716	1	2-Position Terminal Block
5	322817	1	Mounting Plate ONLY
	882662	1	Rear Electric Panel Assembly Complete - 120 Volt (includes illus. nos. 1 through 14)
	882663	1	Rear Electric Panel Assembly Complete - 208-240 Volt (for gas and steam heated models Only) (includes illus. nos. 1 through 14)
	818395	1	Rear Electric Panel Assembly Complete - 208-240 Volt (for electric heated models Only) (includes illus. nos. 1 through 14)
6	882652	1	Transformer Assembly - 120 Volt
	882653	1	Transformer Assembly - 208-240 Volt (for gas and steam heated models Only)
	818396	1	Transformer Assembly - 208-240 Volt (for electric heated models Only)
7	136008	1 or 2	Fuse Holder ONLY
8	136049	1	3/4-Amp (Slo-Blo) Fuse ONLY - 120 Volt
	136057	2	1/2-Amp (Slo-Blo) Fuse ONLY - 208-240 Volt
9	150301	1	#8-18 x 7/16" Phillips Pan Head TEK Screw
10	150297	1	#10 x 1/2" Hex Washer TEK Screw (green)
11	152004	1	5/16-18 Hex Nut
12	121010	1	L-70 Ground Lug
13	153002	1	5/16" Lock Washer
14	132459	1	3-Pole Contactor
15	121300	3	Open/Closed Bushing



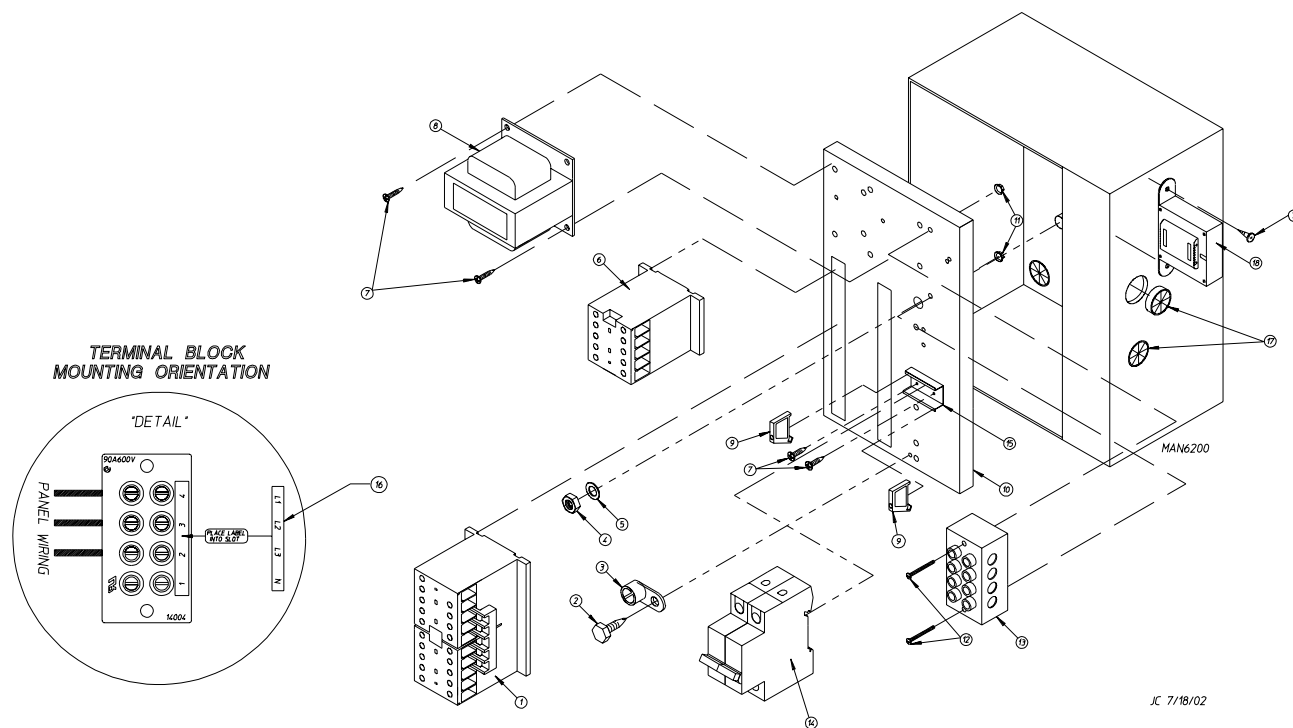
<u>Illus. No.</u>	<u>Part No.</u>	<u>Qty.</u>	<u>Description</u>
1	151000	2	#6-32 Pal Nut
2	150300	2	#10-16 x 1/2" Hex Washer TEK Screw
3	150008	2	#6-32 x 1-1/4" Phillips Pan Head Machine Screw
4	120701	1	4-Position Terminal Block (for models mfd. with 3 ϕ motors)
	120716	1	2-Position Terminal Block (for models mfd. with 1 ϕ motors)
5	322817	1	Mounting Plate ONLY
	882664	1	Rear Electric Panel Assembly Complete - 208-240 Volt For Gas and Steam Models ONLY (includes illus. nos. 1 through 14)
	818400	1	Rear Electric Panel Assembly - 208-240 Volt For Electric Heated Models ONLY (includes illus. nos. 1 through 14)
	882665	1	Rear Electric Panel Assembly Complete - 380-416 Volt For Gas and Steam Models ONLY (includes illus. nos. 1 through 14)
	818395	1	Rear Electric Panel Assembly Complete - 208-240 Volt For Electric Heated Models ONLY For Models Mfd. with Single-Phase (1 ϕ) Motor ONLY (includes illus. nos. 1 through 14)
	882667	1	Rear Electric Panel Assembly Complete - 380-416 Volt For Electric Heated Models ONLY For Models Mfd. with Single-Phase (1 ϕ) Motor ONLY (includes illus. nos. 1 through 14)
6	882653	1	Transformer Assembly - 208-240 Volt for Gas and Steam Models ONLY
	818396	1	Transformer Assembly - 208-240 Volt for Electric Heated Models ONLY
	882654	1	Transformer Assembly - 380-416 Volt
7	136008	2	Fuse Holder ONLY
8	136057	2	1/2-Amp (Slo-Blo) Fuse ONLY
9	150301	2	#8-18 x 7/16" Phillips Pan Head TEK Screw
10	150297	1	#10 x 1/2" Hex Washer TEK Screw (green)
11	152004	1	5/16-18 Hex Nut
12	121010	1	L-70 Ground Lug
13	153002	1	5/16" Lock Washer
14	132459	1	3-Pole Contactor
15	121300	3	Open/Closed Bushing



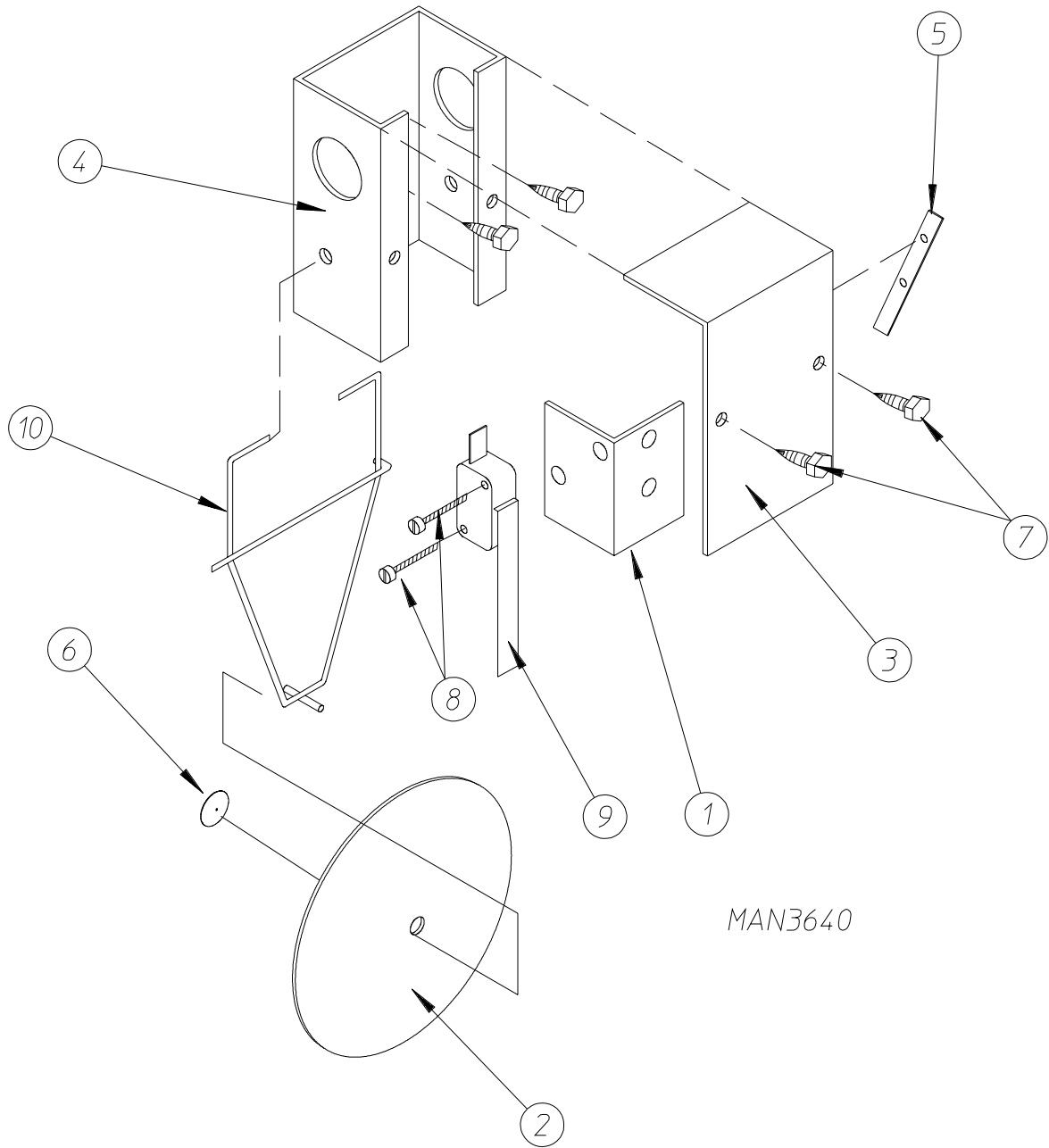
<u>Illus. No.</u>	<u>Part No.</u>	<u>Qty.</u>	<u>Description</u>
1	150009	2	#6-32 x 1-1/2" Phillips Pan Head Machine Screw
2	120701	1	4-Position Terminal Block
3	830208	1	Transformer Assembly (460 VAC) for Micro Models ONLY
	824161	1	Transformer Assembly (460 VAC) for Non-Micro Models ONLY
4	135501	1	1-Amp Double-Pole Circuit Breaker (460 VAC Only)
5	120768	2	35 x 15mm Din Rail
6	150301	4	#8-18 x 7/16" Phillips Pan Head TEK Screw
7	150297	2	#10 x 1/2" Ground Screw
8	152004	1	5/16-18 Hex Nut
9	121010	1	L-70 Ground Lug
10	153002	1	5/16" Lock Washer
11	132459	1	24 VAC 3-Pole Contactor
12	322817	1	Mounting Plate ONLY
	883332	1	Rear Panel Assembly Complete (460 VAC) for Micro Models ONLY (includes illus. nos. 1 through 14)
	830262	1	Rear Panel Assembly Complete (460 VAC) for Non-Micro Models ONLY (includes illus. nos. 1 through 14)
13	151000	2	#6-32 Pal Nut
14	120765	4	End Stop
15	121300	2	Open/Closed Bushing
16	141403	1	Control Voltage Transformer (24V) for Micro Models ONLY



<u>Illus. No.</u>	<u>Part No.</u>	<u>Qty.</u>	<u>Description</u>
1	150300	2	#10-16 x 1/2" Hex Washer TEK Screw
2	150008	2	#6-32 x 1-1/4" Phillips Pan Head Machine Screw
3	120701	1	4-Position Terminal Block
4	132458	1	3-Pole Reversing Contactor
5	882653	1	Transformer Assembly - 208-240 Volt for Gas and Steam Models ONLY
	825428	1	Transformer Assembly - 208-240 Volt for Electric Heated Models ONLY
	882654	1	Transformer Assembly - 380-416 Volt
6	136008	1	Fuse Holder ONLY
7	136057	1	1/2-Amp (Slo-Blow) Fuse ONLY - 208-240 Volt
8	150301	1	#8-18 x 7/16" Phillips Pan Head TEK Screw
9	150297	1	#10 x 1/2" Hex Washer TEK Screw (green)
10	152004	1	5/16-18 Hex Nut
11	121010	1	L-70 Ground Lug
12	153002	1	5/16" Lock Washer
13	132459	1	3-Pole Contactor
14	322812	1	Rear Electric Mounting Plate ONLY
	882673	1	Rear Electric Panel Assembly Complete - 208-240 Volt For Gas and Steam Models ONLY (includes illus. nos. 1 through 16)
	883335	1	Rear Electric Panel Assembly Complete - 208-240 Volt For Electric Heated Models ONLY (includes illus. nos. 1 through 16)
	882676	1	Rear Electric Panel Assembly Complete - 380-416 Volt (includes illus. nos. 1 through 16)
15	151000	2	#6-32 Pal Nut
16	120765	1	Standard End Bracket

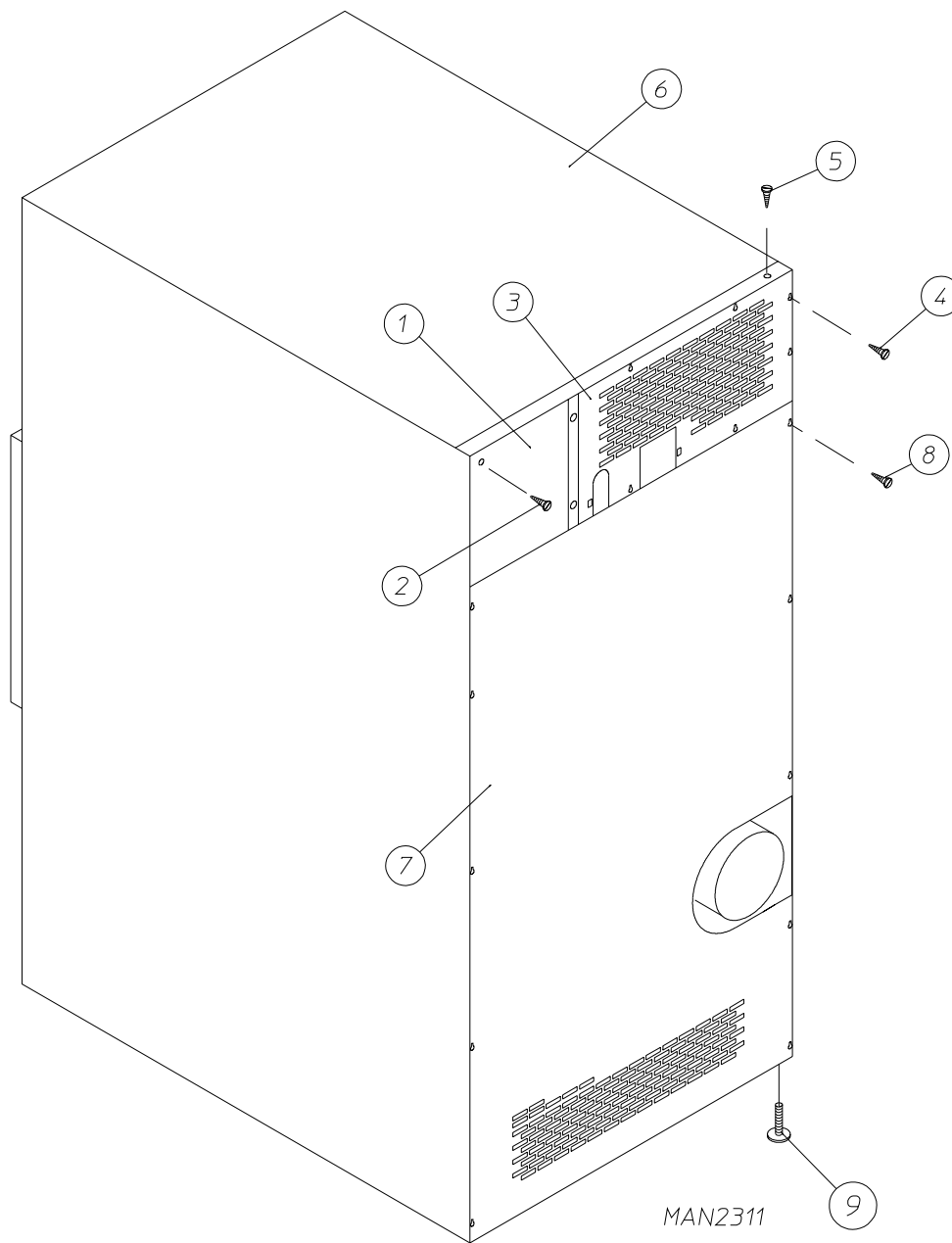


<u>Illus. No.</u>	<u>Part No.</u>	<u>Qty.</u>	<u>Description</u>
1	132458	1	24 VAC Reversing Contactor
2	150297	1	#10 x 1/2" Hex Head TEK Screw (green)
3	121010	1	L-70 Ground Lug
4	152004	1	5/16-18 Hex Nut
5	153002	1	5/16" Lock Washer
6	132459	1	24 VAC 3-Pole Blower Contactor
7	150300	4	#10-16 x 1/2" Hex Washer TEK Screw
8	830208	1	Transformer Assembly (460 VAC) for Micro Models ONLY
	824161	1	Transformer Assembly (460 VAC) for Non-Micro Models ONLY
9	120765	2	End Stop
10	322817	1	Mounting Plate ONLY
	883327	1	460 VAC Reversing Rear Electric Panel Assembly Complete For Micro Models ONLY (includes illus. nos. 1 through 16)
	824133	1	460 VAC Reversing Rear Electric Panel Assembly Complete For Non-Micro Models ONLY (includes illus. nos. 1 through 16)
11	151000	2	#6-32 Pal Nut
12	150009	2	#6-32 x 1-1/2" Phillips Pan Head Machine Screw
13	120701	1	4-Position Terminal Block
14	135501	1	1-Amp Double-Pole Circuit Breaker
15	120768	2	35 x 15mm Din Rail (sold by the inch)
16	112068	1	3-Phase (3φ) Power Input Label
17	121300	1	Open/Closed Bushing
18	141403	1	Control Voltage Transformer (24V) for Micro Models ONLY



MAN3640

<u>Illus. No.</u>	<u>Part No.</u>	<u>Qty.</u>	<u>Description</u>
1	319203	1	Sail Switch Mounting Bracket
2	319202	1	Sail Switch Damper (flat)
3	319201	1	Sail Switch Box Cover
4	802800	1	Sail Switch Box
5	154004	1	Twin Speed Nut
6	154002	1	1/8" Push On Fastener
7	150309	2	#10-16 x 1/2" Hex Head TEK Crimptite Screw
8	150303	2	#4 x 3/4" Pan Head "A" Machine Screw
9	122200	1	Sail Switch ONLY
	881706	1	Sail Switch Box Assembly Complete (includes illus. nos. 1 through 10)
10	105500	1	Sail Switch Actuator Rod



<u>Illus. No.</u>	<u>Part No.</u>	<u>Qty.</u>	<u>Description</u>
1	322809	1	Back Electrical Box Cover
2	150301	4	#8-18 x 7/16" Phillips Pan Head TEK Screw
3*	323738	1	Top Back Guard (for gas models Only)
	314510	1	Top Back Guard (for electric models Only)
4	150301	7	#8-18 x 7/16" Phillips Pan Head TEK Screw
5	150300	10	#10-16 x 1/2" Hex Washer TEK Screw
6*	312527	1	Outer Top
7	314518	1	Bottom Back Guard
8	150301	13	#8-18 x 7/16" Phillips Pan Head TEK Screw
9	103500	4	Leveling Leg

* There is no outer top or top back guard on steam models.

Kw	Volt	Phase	Wire	Oven Assembly* Part No.	Elements			Oven Wire			Terminal Lug		Bus Bar P/N 121011	Oven Relay	
					Qty.	Size	Part No.	Qty.	Size	Part No.	Qty.	Part No.		Cat. No.	Part No.
30	208	3 ϕ	3 or 4	824918	6	5	120012	1	#4	882566	1	121010	1	DPA93	131358
30	240	3 ϕ	3	840259	6	5	120013	1	#4	882566	4	121010	1	DPA73	131376
30	416	3 ϕ	3 or 4	835064	6	5	120013	1	#8	882571	1	121010	1	DPA43	131357
30	460/480	3 ϕ	3 or 4	824162	6	5	120013	1	#8	882572	1	121010	1	DPA43	131357
25	380	3 ϕ	3 or 4	826391	6	5	120013	1	#8	882571	1	121010	1	DPA43	131357
24	208	3 ϕ	3 or 4	824916	6	4	120010	1	#4	882566	1	121010	1	DPA73	131376
24	240	3 ϕ	3	883391	6	4	120011	1	#6	882568	1	121010	1	DPA63	131369
24	460/480	3 ϕ	3 or 4	883392	6	4	120011	1	#8	882572	1	121010	2	DPA33	131352

* When ordering oven assembly complete, specify 3 wire or 4 wire when applicable, as well as if dryer has microprocessor or non-microprocessor controls.

NOTE: Coin acceptors listed include optical switch.
 Replacement optic switch for Hanke acceptors is Part No. 881143.
 Replacement optic switch for Greenwald acceptors is Part No. 137056.

Single Coin*

<u>ADC Part No.</u>	<u>Nation</u>	<u>Description</u>
883363	United States	25¢ Hanke Optic Coin Acceptor with Four (4) Studs (for models mfd. as of June 25, 2002)
882689	United States	25¢ Hanke Optic Coin Acceptor (for models mfd. between June 15, 2000 and June 25, 2002)
125100	U.S. and Canada	25¢ Greenwald Optic Coin Acceptor (for models mfd. prior to June 15, 2000)
125107	Australia	20¢ Greenwald Australian Optic Coin Acceptor
881768	Australia	\$1 Hanke Australian Optic Coin Acceptor
881604	Japan	100 Yen Hanke Optic Coin Acceptor
125103	---	0.882 Token Greenwald Optic Coin Acceptor
125121	---	0.800 Token Greenwald Optic Coin Acceptor
125133	Hong Kong	\$1 Greenwald Hong Kong Optic Coin Acceptor

Dual Coin*

883367	United States	10¢ / 25¢ Hanke Dual Optic Coin Acceptor
881842	Canada	25¢ / \$1 Hanke Dual Optic Coin Acceptor
881542	United Kingdom	1£ / 20 Pence Hanke Dual Optic Coin Acceptor
881846	France	2 / 5 Franc Hanke Dual Optic Coin Acceptor
881541	Netherlands	25¢ / 1 Guilder Hanke Dual Optic Coin Acceptor

* Consult factory for coin acceptors not listed.

<u>Part No.</u>	<u>Description</u>
112280	“Clean Lint Screen” Label
114001	“CAUTION - Exhaust/Lint Screen” Label
112533	“Phase 5 Coin Program Location Summary” Label
112534	“Phase 5 OPL Program Location Summary” Label
114006	“WARNING - Fire Hazards” Label
114094	“MOP HEAD WARNING” Label
117505	Aluminum Duct Tape (sold by the foot)
120100	3/8” Straight (BX) Connector
120300	3/8” x 45° (BX) Connector
120400	3/8” Red Jacket (BX) Insulator
120500	3/8” Jiffy Clip (BX) Retainer Clip
120600	3/8” Greenfield (BX)
120800	1/4” In-Line Connector
120802	Red Butt Connector
120902	#74B Wire Nut
120903	Closed End Connector
121014	1/4” Insulated (female) Terminal
121499	5-1/2” Wire Tie
121500	8” Harness Tie
121503	Harness Tie Mounting Clip
122804	Manometer (hydro gauge) for Measuring Gas Pressure
404502	White Brush-In-Cap Bottle Touch-Up Paint
404515	Coral Blue Brush-In-Cap Bottle Touch-Up Paint
404516	Ivory Brush-In-Cap Bottle Touch-Up Paint
882458	Basket (tumbler) Puller Assembly

