



# **AD-75THS Parts Manual**

---

**American Dryer Corporation**  
88 Currant Road  
Fall River, MA 02720-4781  
Telephone: (508) 678-9000 / Fax: (508) 678-9447  
E-mail: techsupport@amdry.com

# Retain This Manual In A Safe Place For Future Reference

American Dryer Corporation products embody advanced concepts in engineering, design, and safety. If this product is properly maintained, it will provide many years of safe, efficient, and trouble-free operation.

*ONLY qualified technicians should service this equipment.*

**OBSERVE ALL SAFETY PRECAUTIONS** displayed on the equipment or specified in the installation manual included with the dryer.

The following “**FOR YOUR SAFETY**” caution **must be** posted near the dryer in a prominent location.

**FOR YOUR SAFETY**

Do not store or use gasoline or other flammable vapors or liquids in the vicinity of this or any other appliance.

**POUR VOTRE SÉCURITÉ**

Ne pas entreposer ni utiliser d'essence ni d'autres vapeurs ou liquides inflammables dans le voisinage de cet appareil ou de tout autre appareil.

We have tried to make this manual as complete as possible and hope you will find it useful. **ADC** reserves the right to make changes from time to time, without notice or obligation, in prices, specifications, colors, and material, and to change or discontinue models.

## Important

For your convenience, log the following information:

**DATE OF PURCHASE** \_\_\_\_\_ **MODEL NO.** AD-75THS

**RESELLER'S NAME** \_\_\_\_\_

**Serial Number(s)** \_\_\_\_\_

\_\_\_\_\_

\_\_\_\_\_

Replacement parts can be obtained from your reseller or the **ADC** factory. When ordering replacement parts from the factory, you can FAX your order to **ADC** at (508) 678-9447 or telephone your order directly to the **ADC** Parts Department at (508) 678-9000. Please specify the dryer **model number** and **serial number** in addition to the **description** and **part number**, so that your order is processed accurately and promptly.

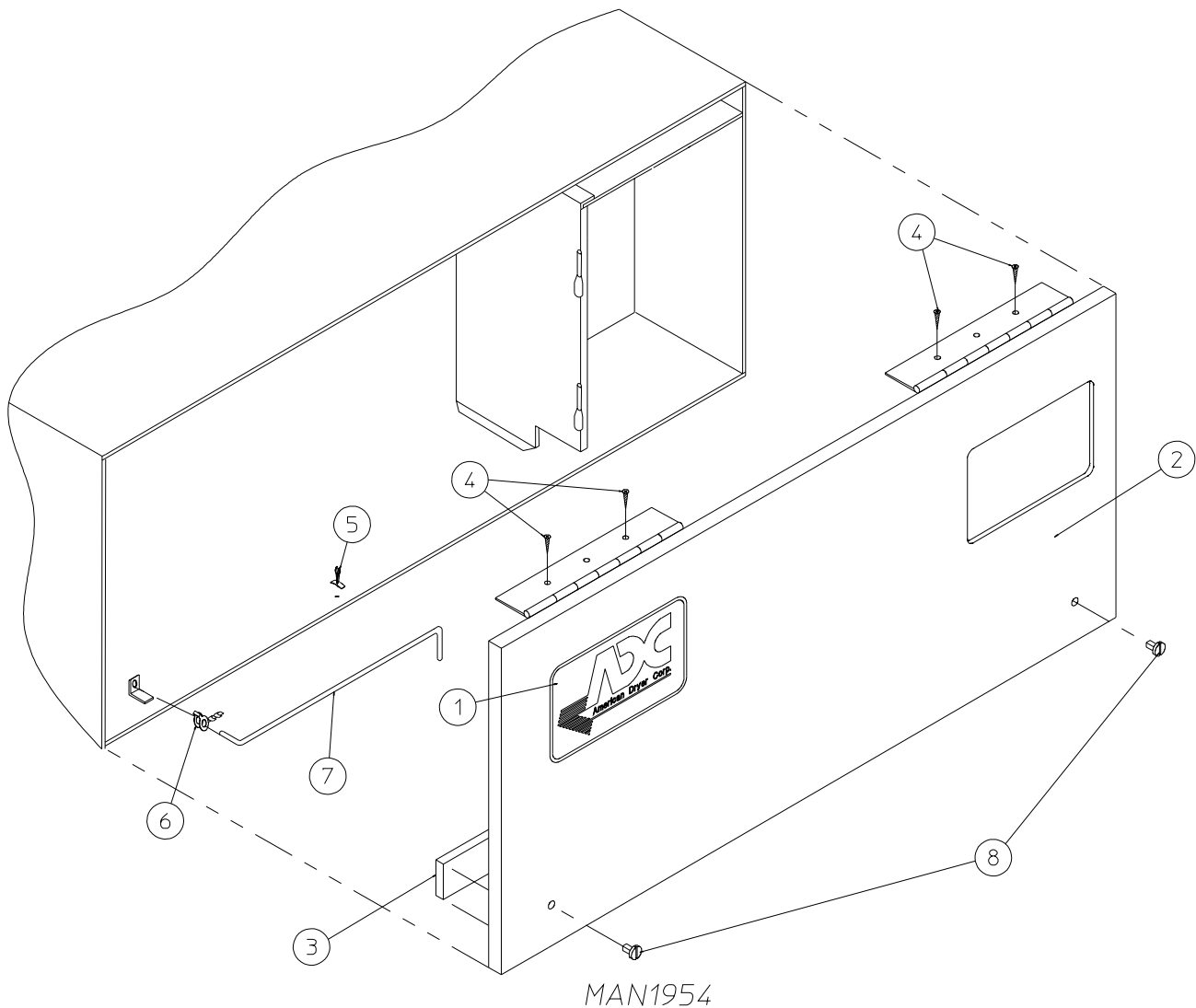
The illustrations on the following pages may not depict your particular dryer exactly. The illustrations are a composite of the various dryer models. Be sure to check the descriptions of the parts thoroughly before ordering.

**“IMPORTANT NOTE TO PURCHASER”**

Information **must be** obtained from your local gas supplier on the instructions to be followed if the user smells gas. These instructions **must be** posted in a prominent location near the dryer.

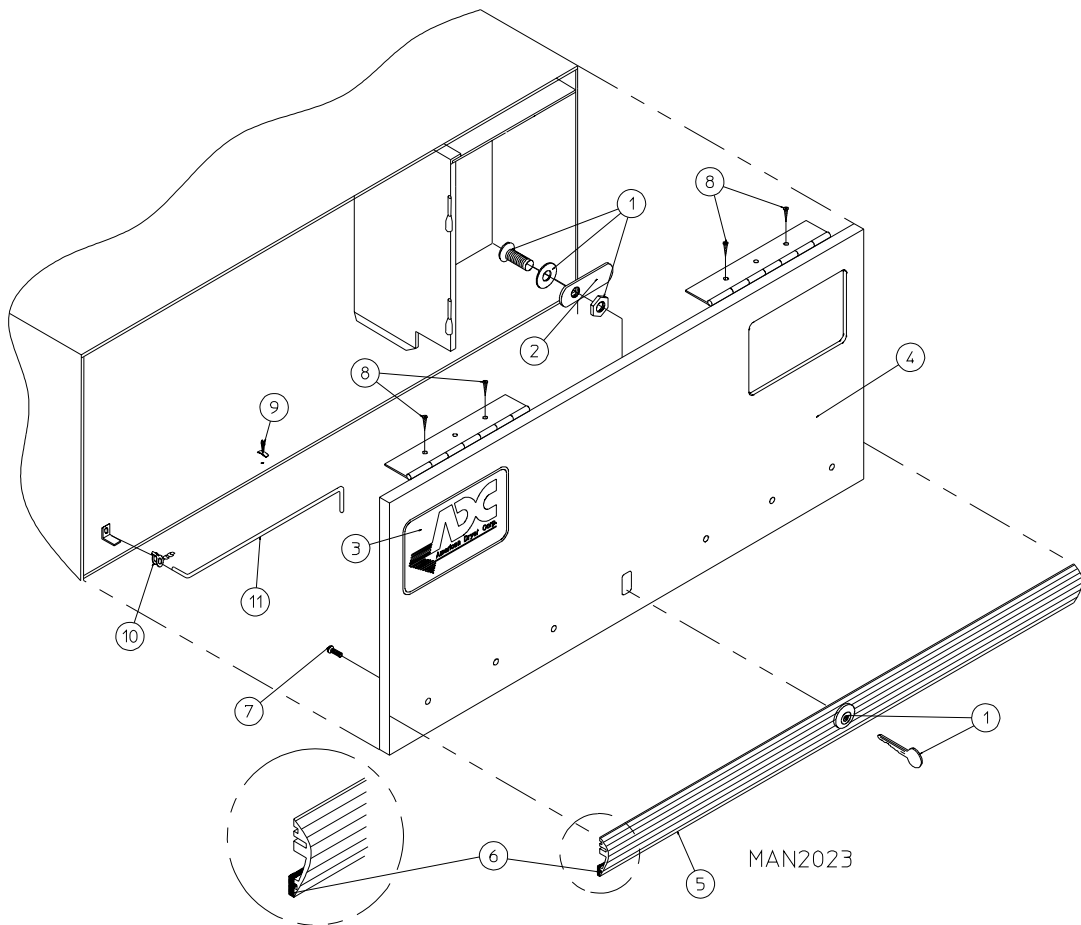
# *Table of Contents*

Control Door Assembly Without Trim .....	2
Control Door Assembly With Trim .....	3
Phase 5 OPL Microprocessor Control Panel Assembly .....	4
Phase 5 Coin Microprocessor Control Panel Assembly .....	5
Phase 5 Coin and OPL Microprocessor Control Box Assembly .....	6
Coin Vault Assembly .....	7
Dual Timer Control Panel Assembly .....	8, 9
Dual Timer Control Box Assembly .....	10
Front Panel Assembly .....	11
Main Door Assembly .....	12
Main Door Switch Housing .....	13
Basket (Tumbler)/Support Assemblies .....	14, 15
Drop Lint Door Assembly Without Trim .....	16
Drop Lint Door Assembly With Trim .....	17
Lint Trap Assembly .....	18
Idler Bearing Assembly .....	19
Tumbler Bearing Assembly .....	20, 21
Non-Reversing Totally Enclosed, Fan-Cooled (T.E.F.C.) Motor Mount Assembly .....	22, 23
Reversing Totally Enclosed, Fan-Cooled (T.E.F.C.) Motor Mount Assembly for ALL Gas and Electric Models ONLY .....	24, 25
Reversing Totally Enclosed, Fan-Cooled (T.E.F.C.) Motor Mount Assembly for Steam Models ONLY .....	26, 27
Sensor Bracket Assemblies .....	28, 29
Hot Surface Ignition (HSI) Burner Assembly .....	30, 31
Electric Oven Assembly .....	32, 33
Electric Oven Component Application Chart .....	34
Sail Switch Assembly .....	35
Non-Reversing Electric Relay Panel Assembly .....	36
Microprocessor Reversing Rear Control Box Assembly .....	37
Air Operated Steam Damper Assembly .....	38, 39
Dual Timer Reversing Rear Control Box Assembly .....	40
Outer Top/Back Guard Assemblies for Gas and Electric Models ONLY .....	41
Back Guard Assembly for Steam Models ONLY .....	42
Coin Acceptors Listing .....	43
Transformer Usage Listing for Electric Models ONLY .....	44
Step Down Transformer Usage Listing .....	45
Additional Parts Available .....	46



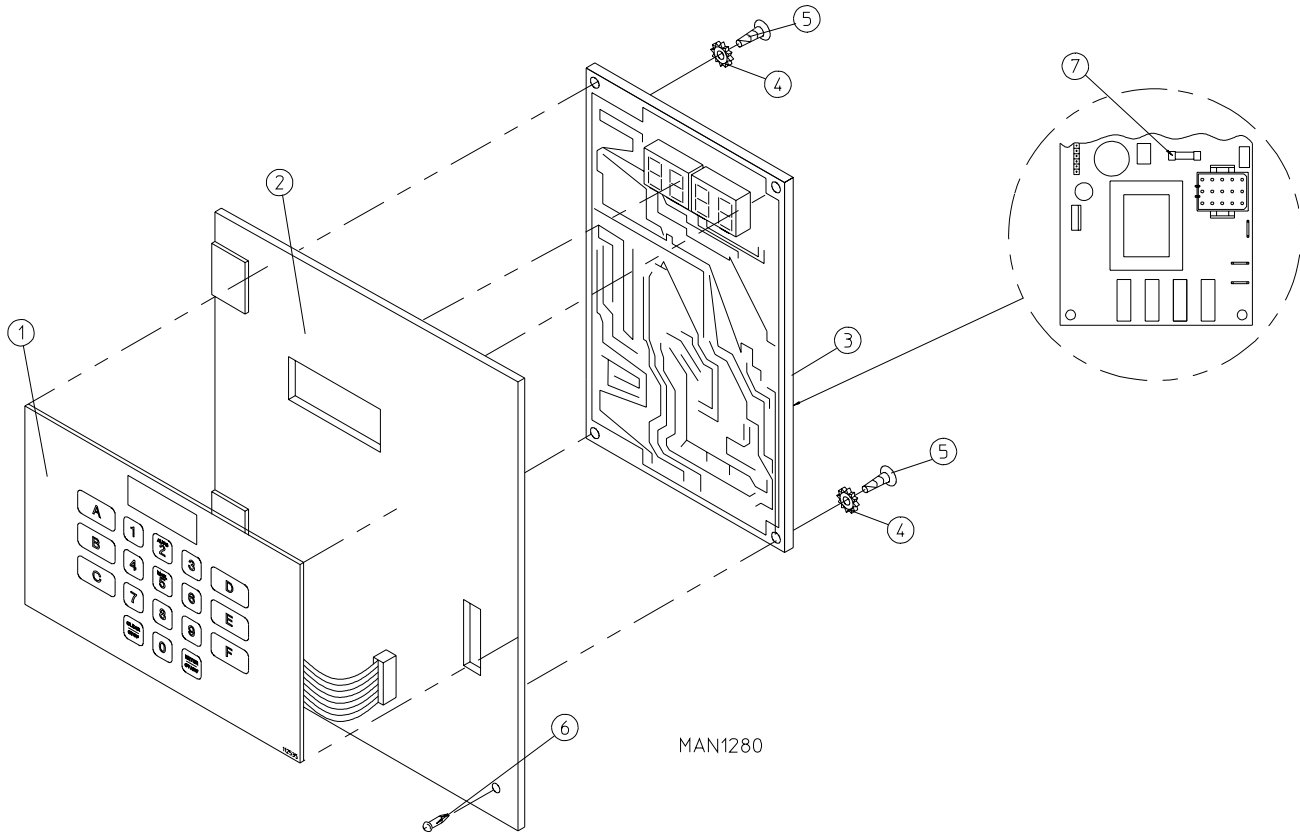
<u>Illus. No.</u>	<u>Part No.</u>	<u>Qty.</u>	<u>Description</u>
1	882052	1	<b>ADC Logo ONLY</b>
	870011	1	Logo Double Adhesive Tape Kit ONLY
2	881045*	1	Control Door (includes illus. nos. 2 and 3)
	881046	1	Stainless Steel Control Door (includes illus. nos. 2 and 3)
3	117604	4	Neoprene Sponge Tape (sold by the foot)
4	150300	4	#10 x 1/2" Hex Washer TEK Screw
5	102600	1	Control Door Rod Support Catch
6	102601	1	Control Door Retainer Clip
7	102502	1	Control Door Rod
8	160005	2	Turn Latch

\* Specify color when ordering.



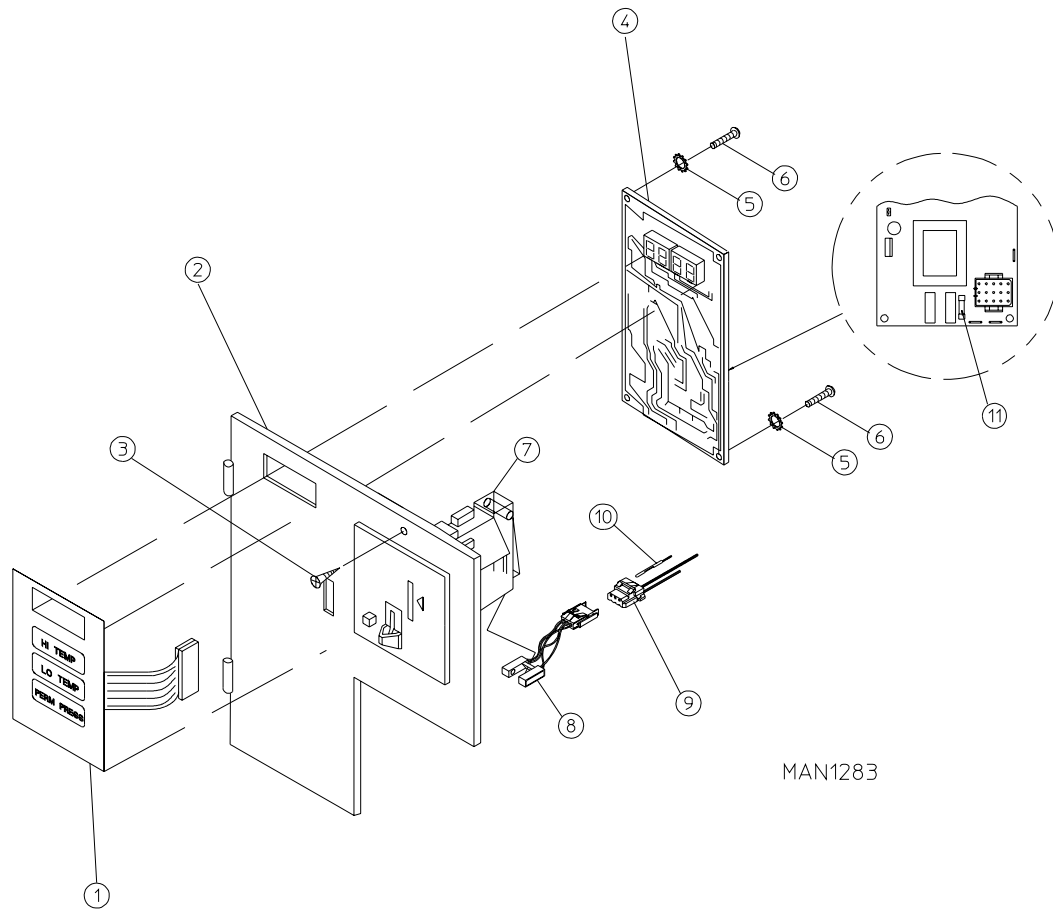
Illus. No.	Part No.	Qty.	Description
1	160015	1	High Security MK-100 Lock Assembly with Key (for Coin Models Only)
	160017	1	Special Dummy Lock ONLY (for non-Coin Models Only)
	160104	1	MK-100 Key ONLY
2	160016	1	Lock Cam ONLY
3	882052	1	<b>ADC</b> Logo ONLY
	870011	1	Logo Double Tape Kit
4	800020*	1	High Security Control Door Assembly (includes illus. nos. 4 through 7)
	800144	1	Stainless Steel High Security Control Door Assembly (includes illus. nos. 4 through 7)
5	180202	1	Top Trim Strip (Gray) with Lock Hole (38-1/4" length)
6	117603	3	Suppressor Tape/Gasket (sold by the foot)
7	150201	6	#10-32 x 1/4" Phillips Round Head Machine Screw
8	150309	4	#10-16 x 1/2" Hex Head TEK Crimpite Screw
9	102600	1	Control Door Rod Support Catch
10	102601	1	Control Door Rod Retainer Clip
11	102502	1	Control Door Support Rod

\* Specify color when ordering.



<u>Illus. No.</u>	<u>Part No.</u>	<u>Qty.</u>	<u>Description</u>
1	112535	1	OPL English Keyboard Label Assembly
	112276	1	OPL Stick-on Labels (English ONLY) ... Not Illustrated
	112275	1	OPL Stick-on Labels ... Not Illustrated (Spanish, Italian, and Hebrew)
	112277	1	3-Language OPL Stick-on Labels ... Not Illustrated (English, Spanish, and Hebrew)
	112278	1	5-Language OPL Stick-on Labels ... Not Illustrated (Italian, Dutch, French, German, and Chinese)
2	801255	1	Phase 5 Microprocessor Control Panel ONLY
	801256	1	Phase 5 Microprocessor Control Panel ONLY with Battery Bracket
	801206	1	Phase 5 OPL Non-Reversing Microprocessor Control Panel Assembly Complete (includes illus. nos. 1 through 6)
	801207	1	Phase 5 OPL Reversing Microprocessor Control Panel Assembly Complete (includes illus. nos. 1 through 6)
3	137222	1	Phase 5 OPL Non-Reversing Microprocessor Controller (computer) ONLY
	137231	1	Phase 5 OPL Reversing Microprocessor Controller (computer) ONLY
	824998	1	Phase 5 Battery Clip
4	153010	2	#6 Star Washer
	150005	2	#6-32 x 1/4" Phillips Round Head Machine Screw
5	150429	1	#10-16 x 1/2" TORX Head CrimpTite Screw
	150433	1	TORX Hand Driver (for removal of TORX Head Screw)
	136048	1	1/8-Amp (Slo Blo) Fuse

**IMPORTANT:** Check label on computer chip to verify correct part number for controller (computer).

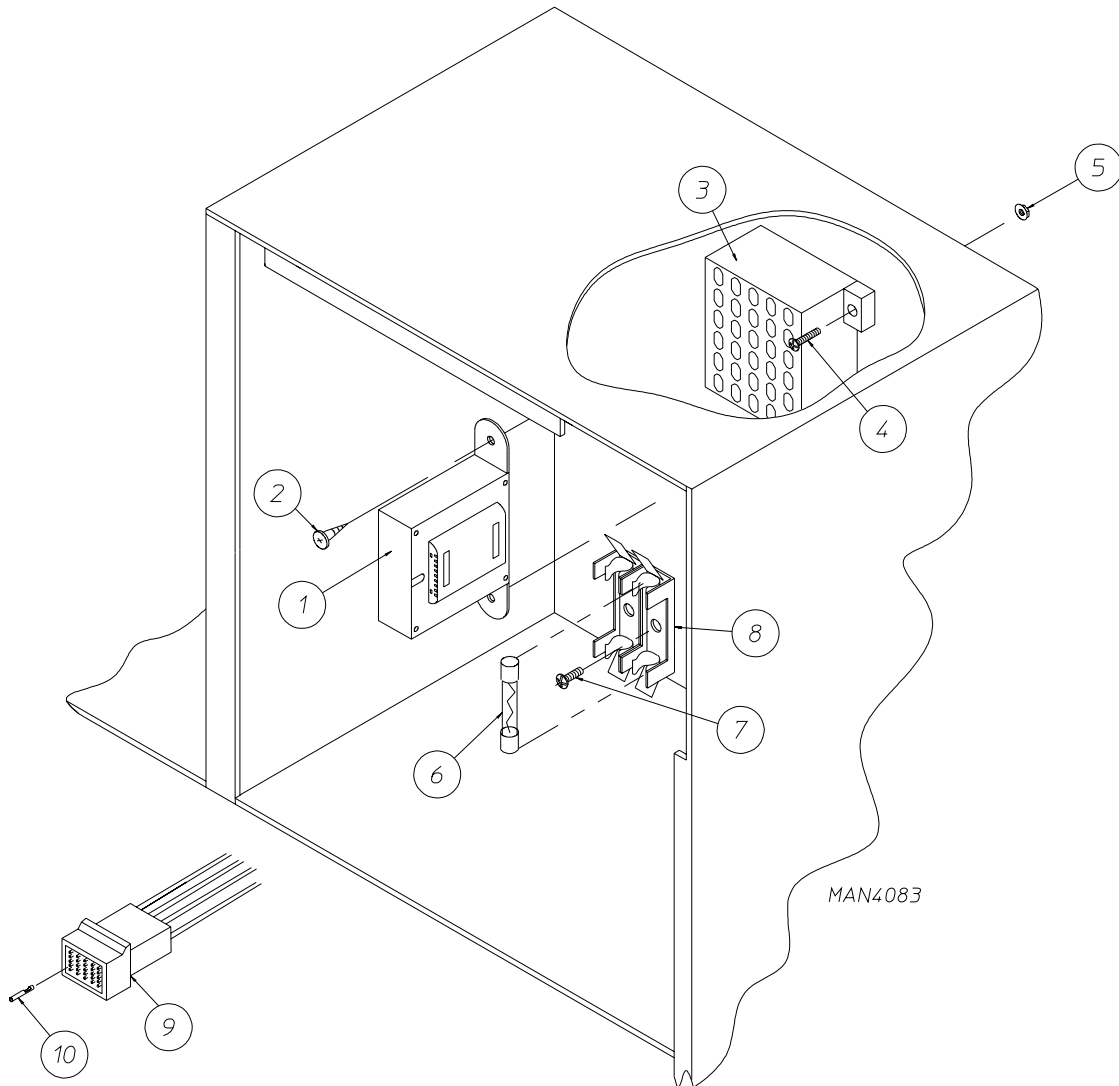


MAN1283

<u>Illus. No.</u>	<u>Part No.</u>	<u>Qty.</u>	<u>Description</u>
1	112526	1	Coin Keyboard Label Assembly
2	801213	1	Phase 5 Coin Control Panel Assembly (includes illus. nos. 1, 2, 4, 5, and 6)
	801229	1	Phase 5 Coin Control Panel Assembly with Battery Option (includes illus. nos. 1, 2, 4, 5, and 6)
	801259	1	Coin Control Panel ONLY
	801258	1	Coin Control Panel ONLY with Battery Bracket
3	150309	1	#10-16 x 1/2" Hex Head TEK Crimptite Screw
4	137213	1	Phase 5 Coin Microprocessor Controller (computer) ONLY
	824998	1	Phase 5 Battery Clip
5	153010	2	#6 Star Washer
6	150005	2	#6-32 x 1/4" Phillips Round Head Machine Screw
7	-----	1	Coin Acceptor (refer to <b>Coin Acceptors Listing</b> on <b>page 43</b> )
8*	137056	1	Optic Switch ONLY
9*	137023	1	Optic Switch Connector ONLY
10	137021*	3	Microprocessor Socket ONLY
	880772	1	Single Coin Optical Switch Harness
	824080	1	Dual Coin Optical Switch Harness
	122800	1	Microprocessor (female) Pin Extraction Tool
11	136048	1	1/8-Amp (Slo Blo) Fuse

\* For dual coin models double the quantity shown.

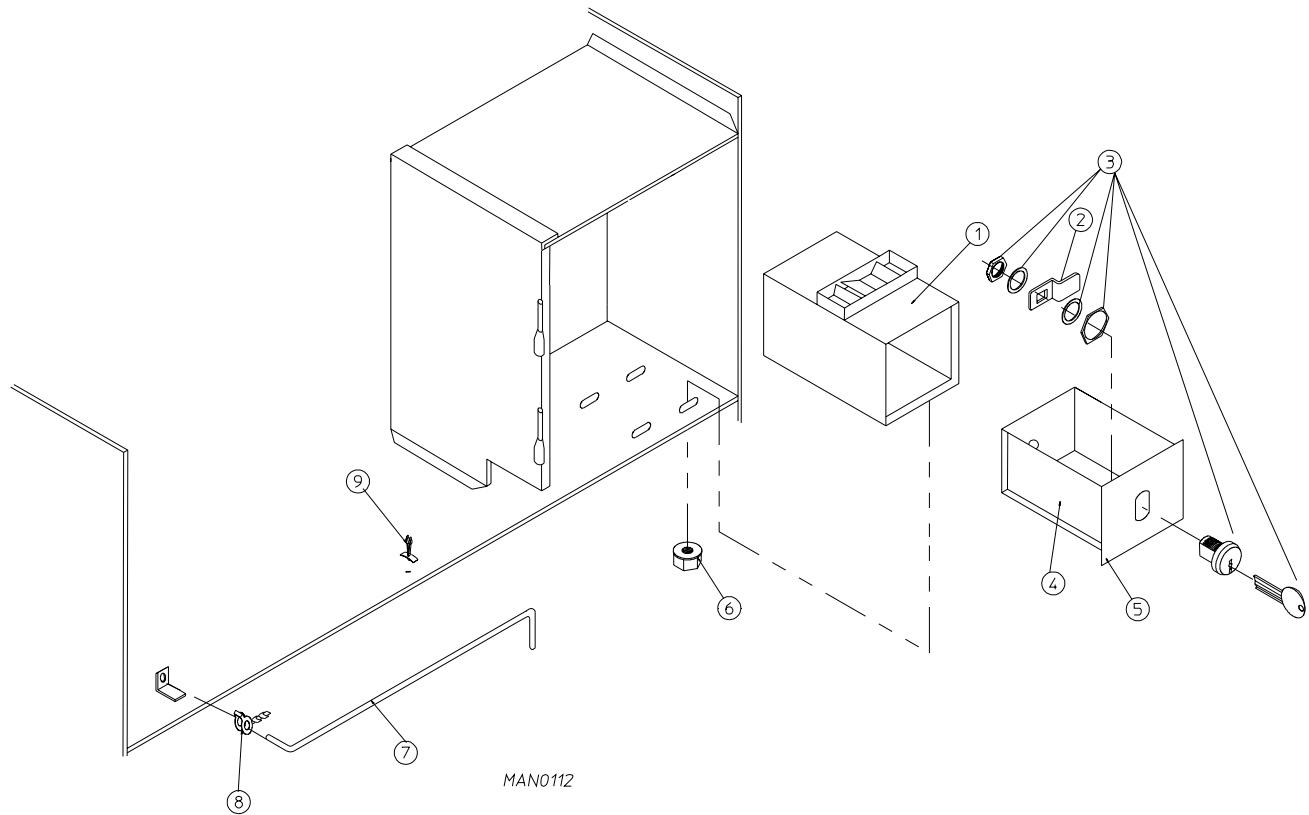
**IMPORTANT:** Check label on computer chip to verify correct part number of controller (computer).



<u>Illus. No.</u>	<u>Part No.</u>	<u>Qty.</u>	<u>Description</u>
1	141403	1	Transformer - 24 VAC (for <b>ALL</b> 380/416/480 volt Gas and Steam Models)
	-----	1	Transformer - 24 VAC (for Electric Models Only) (Refer to <b>Transformer Usage Listing</b> on <b>page 44</b> )
2	150300	2	#10 x 1/2" Hex Washer TEK Screw
3	120715	1	30-Position Terminal Block
4	150002	2	#6-32 x 1" Phillips Round Head Screw
5	151000	2	#6-32 Pal Nut
6	136057	*	1/2-Amp (Slo Blo) Fuse
7	150301	*	#8-18 x 7/16" Phillips Pan Head TEK Screw
8	136008	*	Fuse Block/Strip ONLY
9	122641	1	15-Pin Microprocessor Connector
10	122706	*	Socket ONLY
---	112801	1	Pin/Socket Extraction Tool

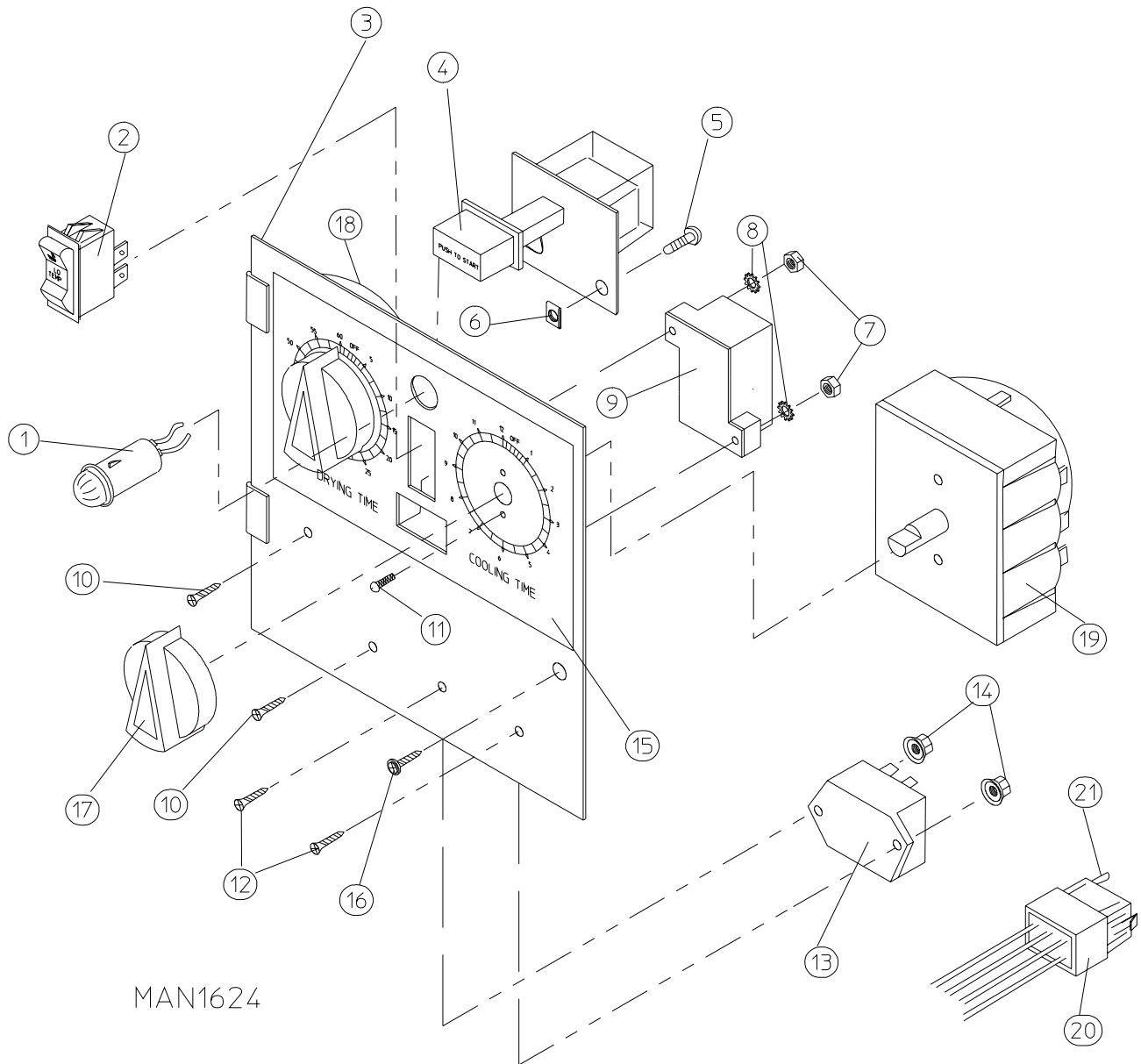
\* As required.





<u>Illus. No.</u>	<u>Part No.</u>	<u>Qty.</u>	<u>Description</u>
1	802112	1	Microprocessor Coin Vault Assembly Complete (includes illus. nos. 1 through 6)
	802117	1	Microprocessor Coin Vault ONLY
2	160028	1	Cam for 1/4 Turn Lock ONLY
3	875061	1	1/4 Turn Lock with Key and Cam
	160105*	1	1/4 Turn Mer-Pel Key ONLY
4	802020	1	1/4 Turn Coin Box Assembly (includes illus. nos. 2 through 5)
	802019	1	1/4 Turn Coin Box ONLY without Face Plate
	125915	1	High Security (Greenwald) Coin Box ONLY with Key
5	802018	1	1/4 Turn Coin Box Face Plate ONLY
6	152014	4	1/4-20 Free Spin Wash Nut
7	102502	1	Control Door Support Rod
8	102601	1	Control Door Rod Retainer Clip
9	102600	1	Control Door Rod Catch

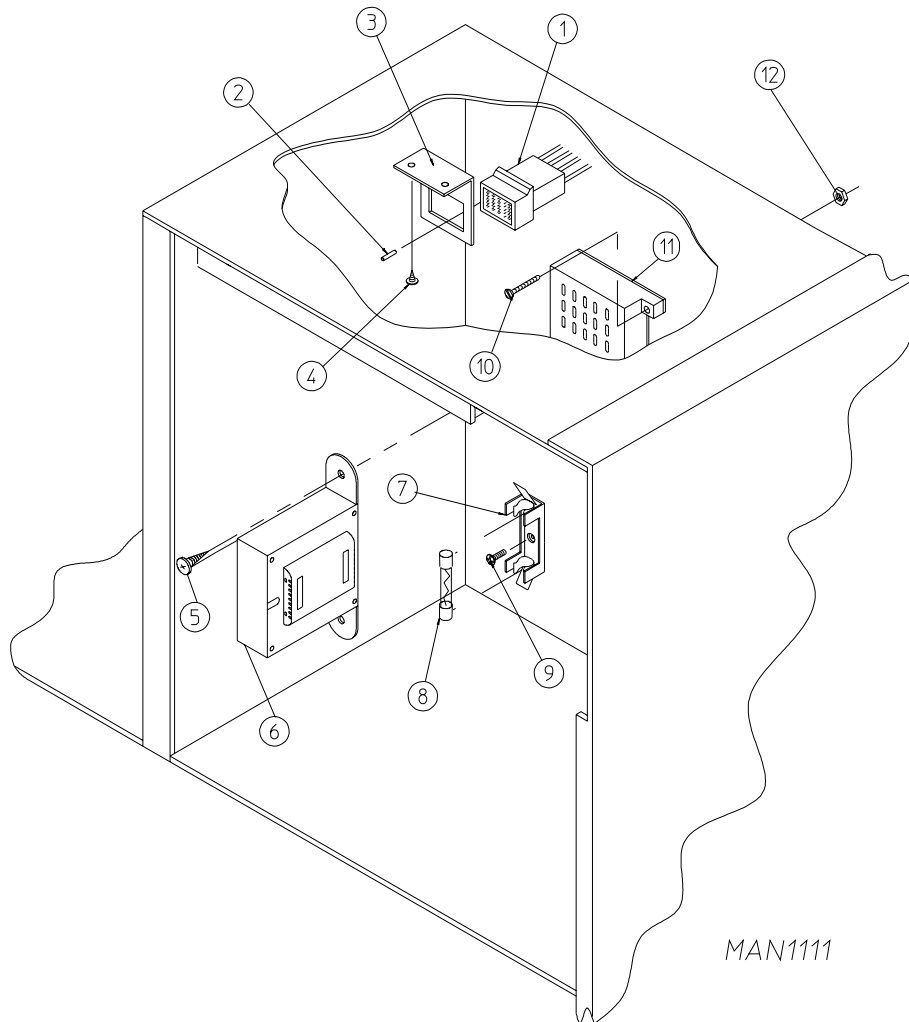
\* Specify key number when ordering.



MAN1624

---

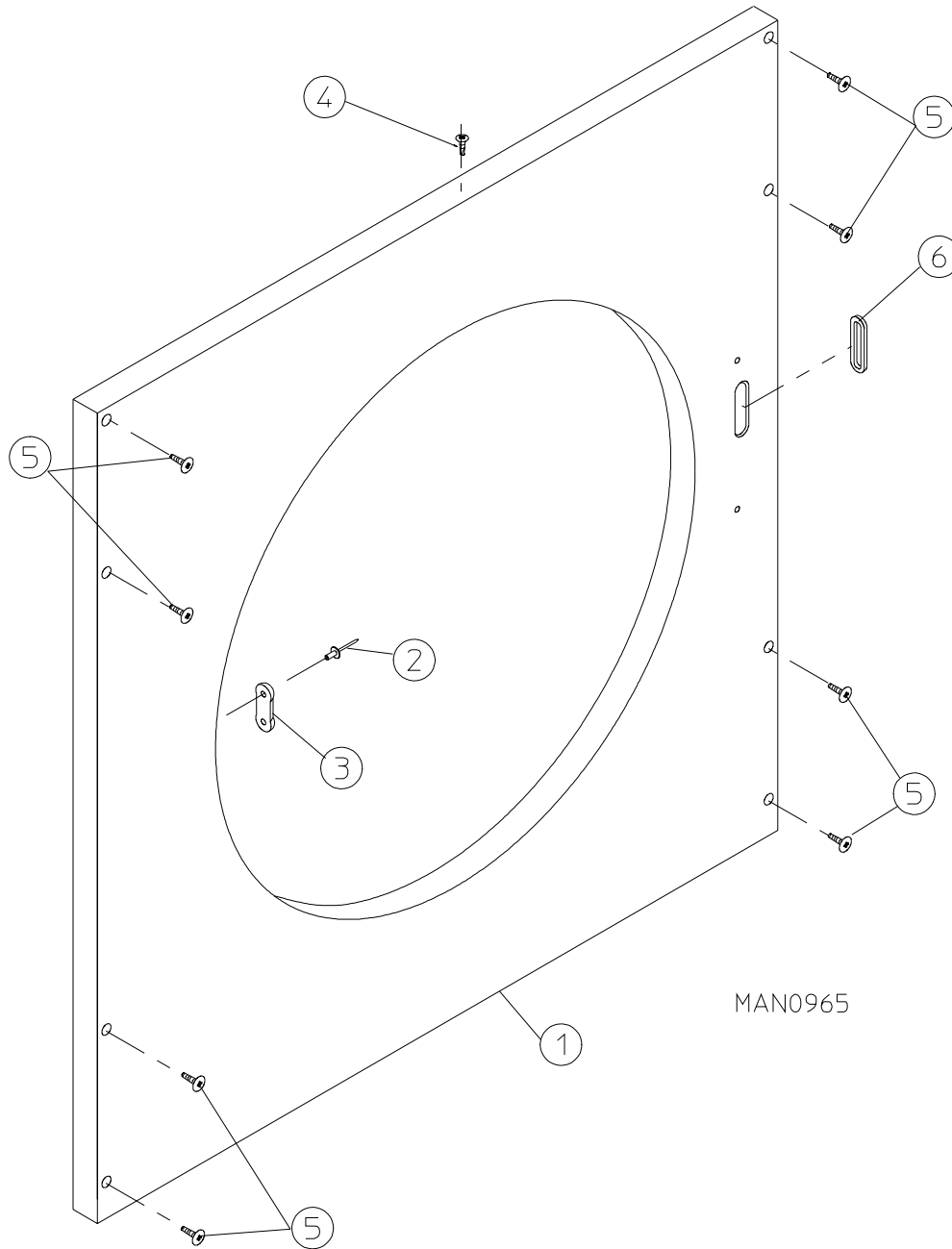
<u>Illus. No.</u>	<u>Part No.</u>	<u>Qty.</u>	<u>Description</u>
1	123005	1	Red Indicator Light - 24 VAC
2	122400	1	Rocker Heat Selector Switch
3	824015	1	Dual Timer Control Panel Assembly Complete - 24 VAC (includes illus. nos. 1 through 21)
	800051	1	Dual Timer Control Panel ONLY
4	131917	1	Push-to-Start Relay - 24 VAC
5	150207	2	#10-24 x 1/2" Round Head Machine Screw
6	154001	2	#10-24 Speed Nut
7	152000	2	#6-32 Hex Nut
8	153010	2	#6 Star Washer
9	120730	1	30-Position Terminal Block
10	150002	2	#6-32 x 1" Phillips Round Head Machine Screw
11	150110	4	#8-32 x 1/4" Phillips Round Head Machine Screw
12	150001	2	#6-32 x 1/2" Phillips Round Head Machine Screw
13	131931	1	Dual Timer Relay - 24 VAC
14	151000	2	#6-32 Pal Nut
15	112050	1	Dual Timer Label ONLY
16	150309	1	#10-16 x 1/2" Hex Head TEK Crimptite Screw)
17	124103	2	Arrow Timer Knob
18	124025	1	60-Minute Timer - 24 VAC
19	124030	1	15-Minute Timer - 24 VAC
20	122602	1	9-Pin Connector ONLY
21	122700	8	Pin Terminal ONLY
---	122801	1	Pin/Socket Extraction Tool



Illus. No.	Part No.	Qty.	Description
1	122603	1	9-Pin Socket Connector
2	122701	8	Socket Terminal ONLY
	122801	1	Pin/Socket Extraction Tool
3	315010	1	9-Pin Connector Bracket
4	150300	2	#10 x 1/2" Hex Washer TEK Screw
5	150300	2	#10 x 1/2" Hex Washer TEK Screw
6	141403	1	Transformer - 24 VAC (for <b>ALL 380/416/480 volt Gas and Steam Models</b> )
	-----	1	Transformer - 24 VAC (for <b>Electric Models Only</b> ) (Refer to <b>Transformer Usage Listing</b> on <b>page 44</b> )
7	136008	*	Fuse Block/Strip ONLY
8**	136057	*	1/2-Amp (Slo Blo) Fuse ONLY
9	150301	*	#8-18 x 7/16" Phillips Pan Head TEK Screw
10	150002	2	#6-32 x 1" Phillips Round Head Machine Screw
11	120715	1	30-Position Terminal Block
12	151000	2	#6-32 Pal Nut

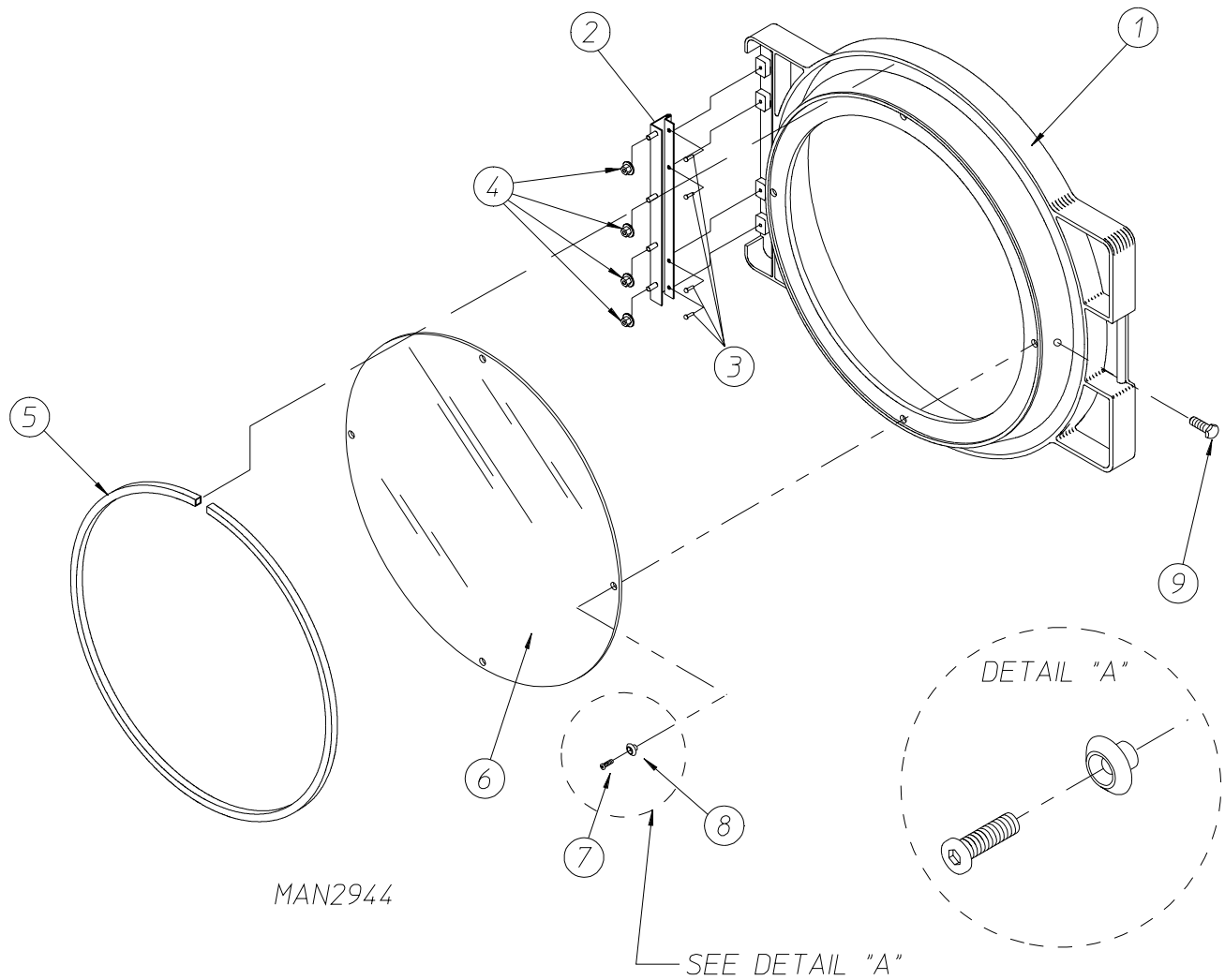
\* As required.

\*\* Check fuse rating for verification.

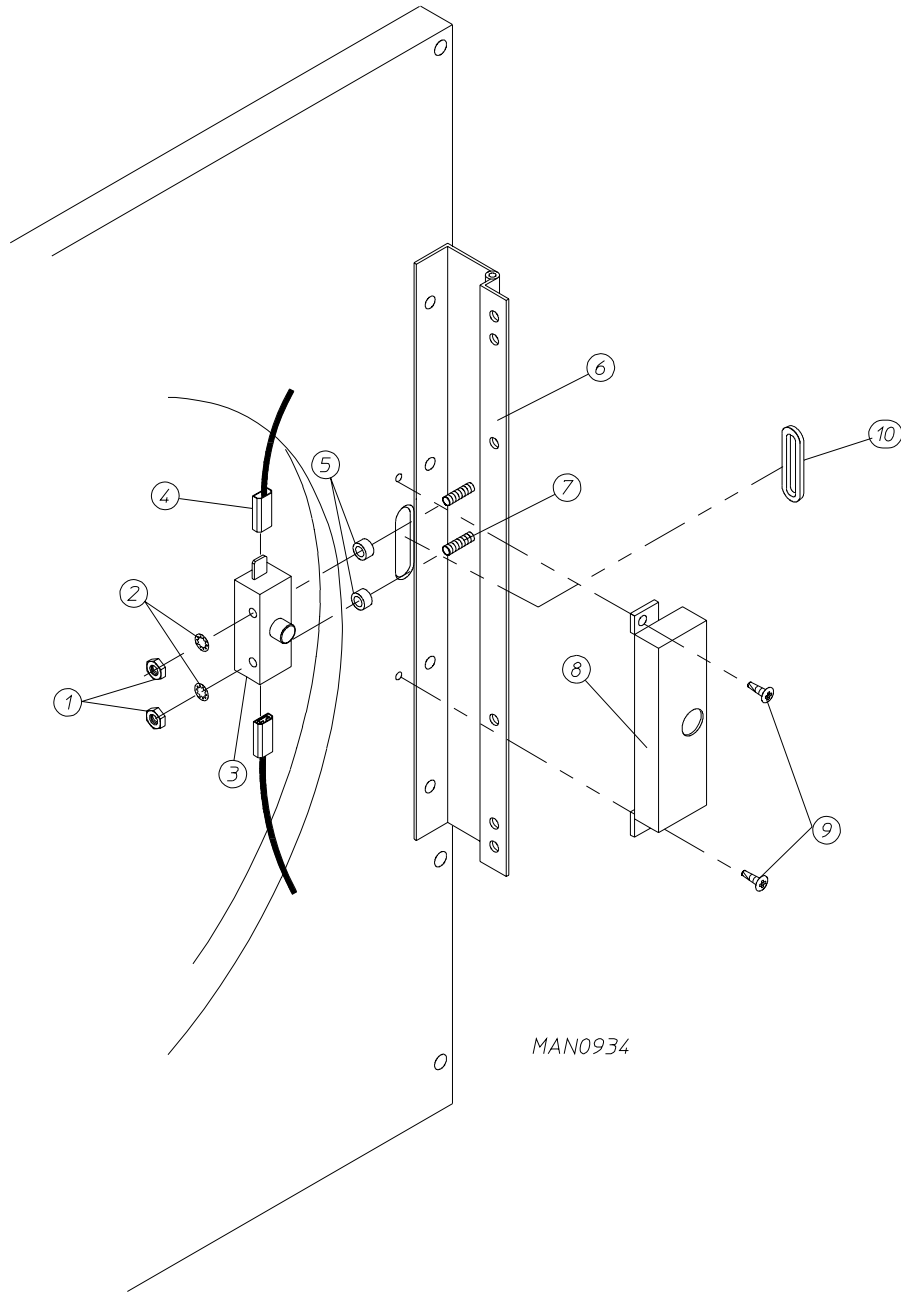


Illus. No.	Part No.	Qty.	Description
1	875302*	1	Right Hand Insulated Front Panel Assembly Complete (includes illus. nos. 1, 2, 3, and 6)
	875313	1	Stainless Steel Right Hand Insulated Front Panel Assembly Complete (includes illus. nos. 1, 2, 3, and 6)
2	154215	2	5/32" Pop Rivet
3	170330	1	Friction Door Latch
4	150300	1	#10 x 1/2" Hex Washer TEK Screw
5	150309	8	#10-16 x 1/2" Hex Head TEK Crimpite Screw
6	121405	1	Rubber Grommet

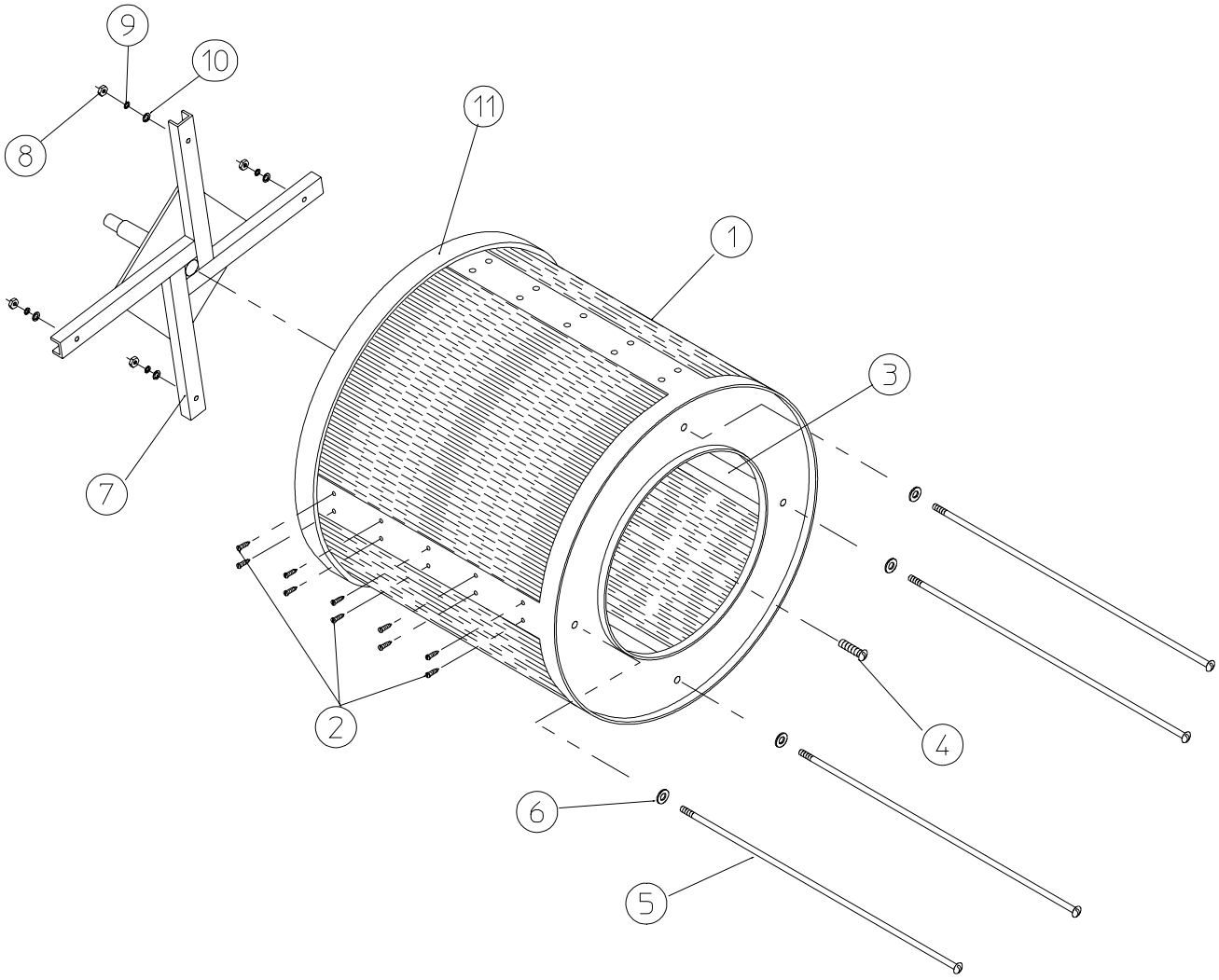
\* Specify color when ordering.



<u>Illus. No.</u>	<u>Part No.</u>	<u>Qty.</u>	<u>Description</u>
1	881421	1	Gray Plastic Main Door Assembly Complete with Mechanical Fasteners (includes illus. nos. 1 and 5 through 9)
2	800448	4	12-1/2" Stainless Steel Main Door Hinge Assembly
3	150410	4	#10-24 x 3/8" Phillips Pan Head Taptite Screw
4	152014	4	1/4-20 Free Spin Wash Nut
5	102349	1	Main Door Gasket
6	102212	1	20-7/16" Door Glass with (4) Holes
	170730	1	Main Door Glass Adhesive (10.3 oz. cartridge)
7	150448	4	1/2" Stainless Steel Flat Head Allen Screw
8	170319	4	Door Glass (Nylon) Spacer
9	150431	1	Main Door Latch Screw (#10 x 7/16" Dome Hex Head)



Illus. No.	Part No.	Qty.	Description
1	152013	2	#6-32 Hex Nut
2	153008	2	#6 Lock Washer
3	137005	1	Single-Pole Door Switch
4	121028	2	Insulated Female Terminal
5	154281	2	3/8" Standard Nylon Spacer
6	800448	1	12-1/2" Stainless Steel Main Door Hinge Assembly (includes illus. nos. 6 and 7)
7	153565	2	#6-32 x 1" Self Clinching Stud
8	313218	1	Main Door Switch Housing
9	150201	2	#10-32 x 1/4" Phillips Pan Head Machine Screw
10	121405	1	Rubber Grommet

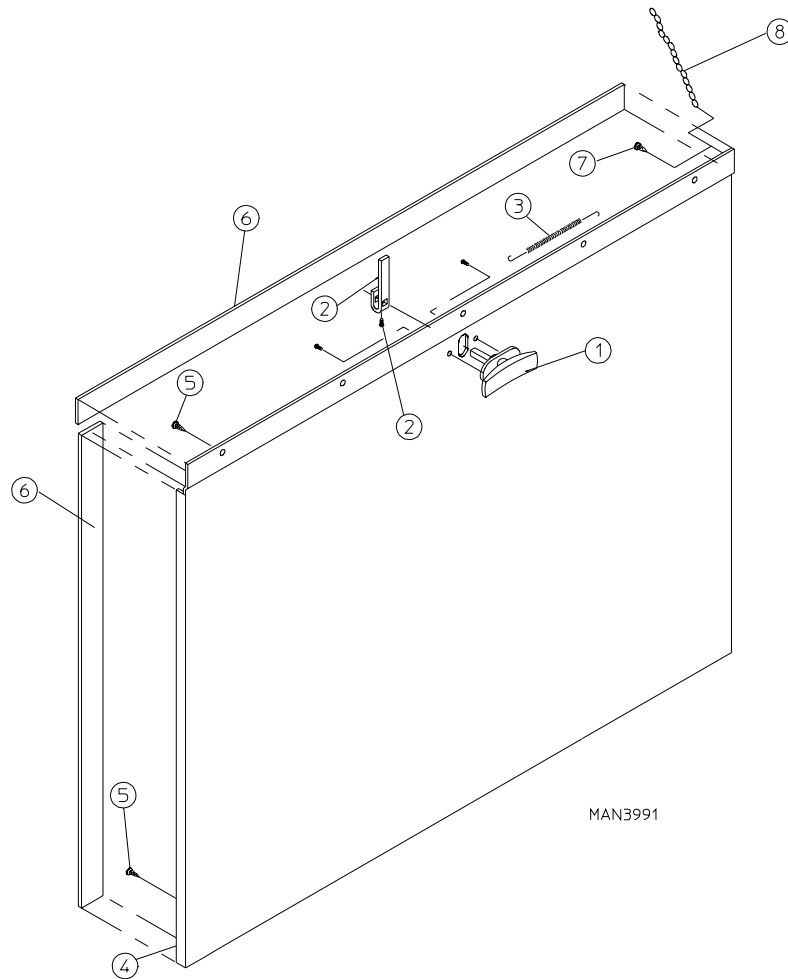


MAN0251



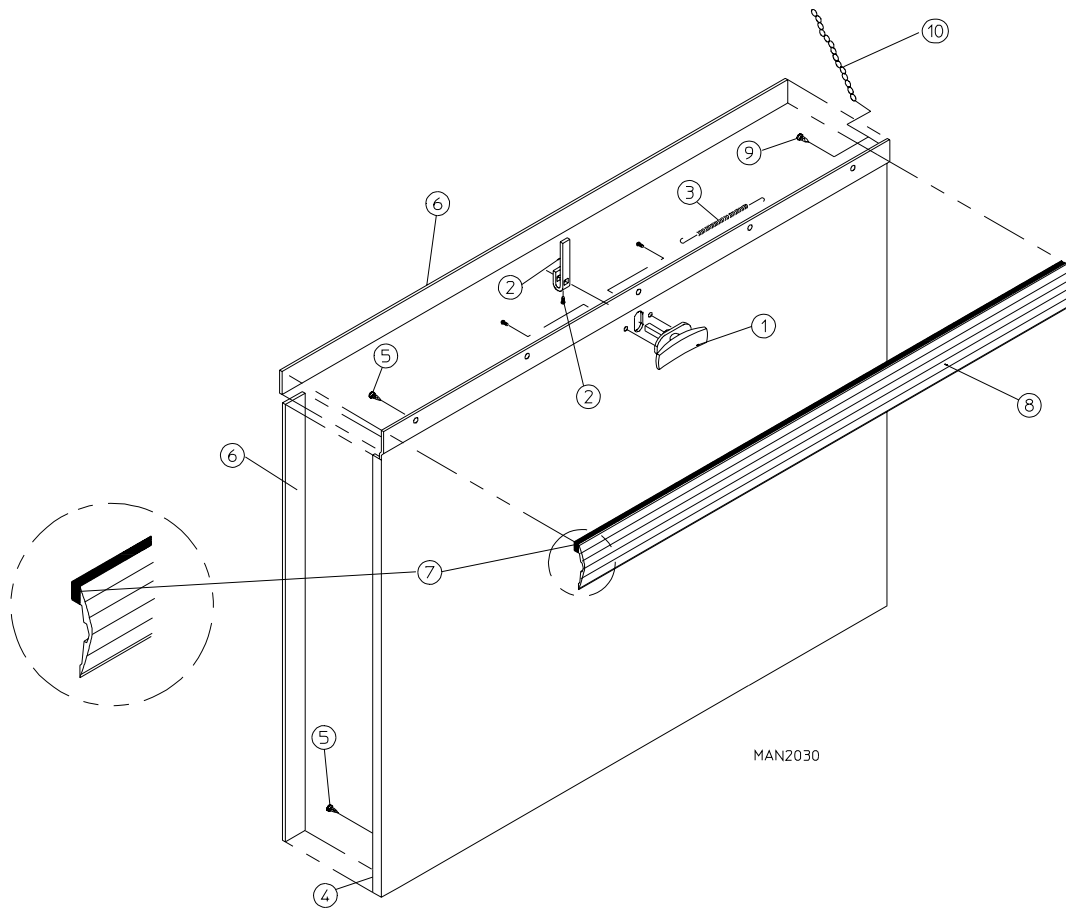
<u>Illus. No.</u>	<u>Part No.</u>	<u>Qty.</u>	<u>Description</u>
1*	800708	1	Basket (Tumbler) ONLY <i>without</i> Felt Collar
	800857	1	Stainless Steel Basket (Tumbler) ONLY <i>without</i> Felt Collar
	800816	1	Non-Reversing Basket (Tumbler) and Support Assembly Complete (includes illus. nos. 1 through 10)
	800873	1	Stainless Steel Non-Reversing Basket (Tumbler) and Support Assembly Complete (includes illus. nos. 1 through 10)
	800819	1	Reversing Basket (Tumbler) and Support Assembly Complete (includes illus. nos. 1 through 10)
	800876	1	Stainless Steel Reversing Basket (Tumbler) and Support Assembly Complete (includes illus. nos. 1 through 10)
2	150413	40	#10-16 x 1/2" TORX Head Crimptite Screw
	150429	1	TORX Hand Driver (for removal of TORX Head Screw)
3	301308	4	Basket (Tumbler) Rib ONLY
	301408	4	Stainless Steel Basket (Tumbler) Rib ONLY
4	150500	1	5/16-18 x 3/4" Socket Button Head Screw
5	100905	4	3/8-16 x 37" Tie Rod
6	153004	4	3/8" Flat Washer
7	800613	1	Non-Reversing Basket (Tumbler) Support ONLY
	800615	1	Reversing Basket (Tumbler) Support ONLY
8	152005	4	3/8" Hex Nut
9	153005	4	3/8" Lock Washer
10	153004	4	3/8" Flat Washer
11	116000	1	Felt Collar ONLY
---	401010	1	#847 Adhesive For Felt Collar

\* Felt collar *is not included* and **must be** ordered separately.



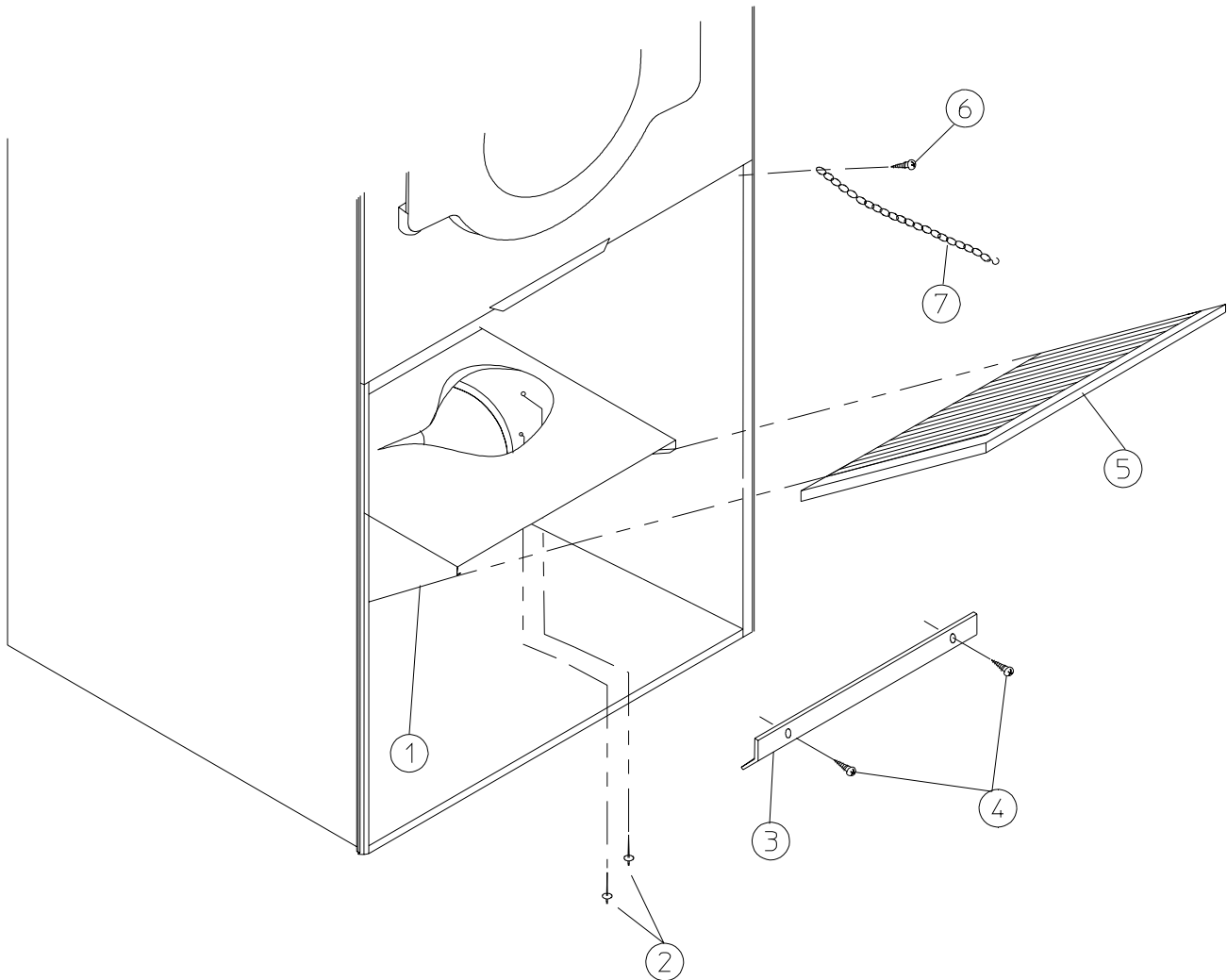
<u>Illus. No.</u>	<u>Part No.</u>	<u>Qty.</u>	<u>Description</u>
1	160001	1	AD-100 Lock Assembly with Key (for Coin Models Only)
	160103	1	AD-100 Key ONLY
	800150	1	Knob Latch Kit Assembly (includes illus. nos. 1 and 2)
	160200	1	Knob Latch ONLY with 2 Screws (without cam)
	160003	1	Dummy Lock ONLY (for Non-Coin Models)
	160104	1	MK-100 Key ONLY (for Dummy Lock)
2	160008	1	Lock Cam for AD-100 and Dummy Lock
	160009	1	Knob Latch Adjustable Cam ONLY
	150425	1	#12-24 x 3/8" Round Head Machine Screw ONLY (screw for Knob Latch Adjustable Cam)
3	157000	1	Drop Lint Door Spring
4	802104*	1	Insulated Drop Lint Door Assembly (includes illus. nos. 4 through 8)
	882106	1	Stainless Steel Insulated Drop Lint Drawer Assembly (includes illus. nos. 4 through 8)
5	150201	6	#10-32 x 1/4" Phillips Pan Head TEK Screw
6	117604	7	Neoprene Sponge Tape (sold by the foot)
7	150419	2	#6 x 1/2" Tamperproof TEK Screw
	150418	1	Tamperproof Screw Hand Driver
8	108120	1	Chain for Drop Lint Door (10-1/2" length)

\* Specify color when ordering.



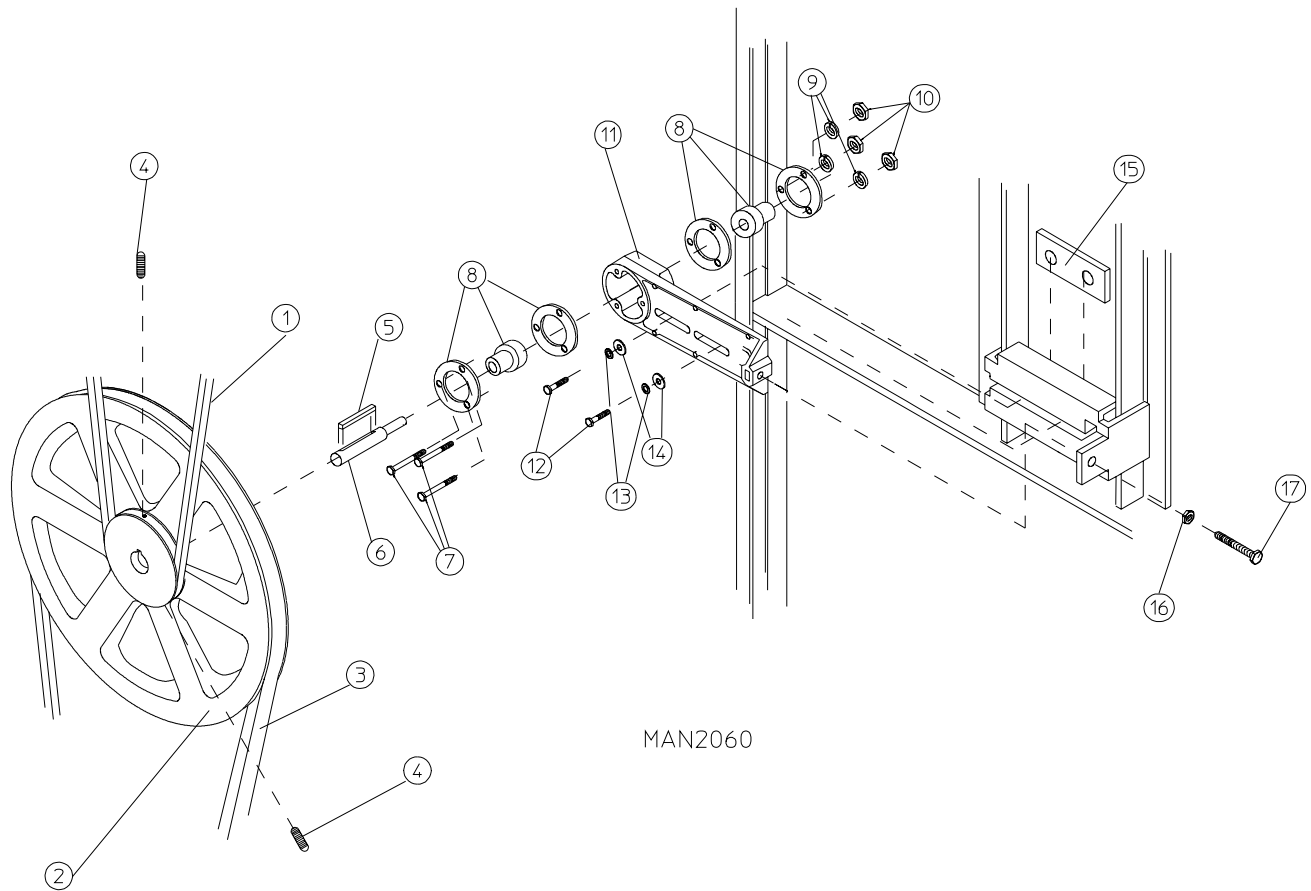
<u>Illus. No.</u>	<u>Part No.</u>	<u>Qty.</u>	<u>Description</u>
1	160001	1	AD-100 Lock Assembly with Key (for Coin Models Only)
	160103	1	AD-100 Key ONLY
	800150	1	Knob Latch Kit Assembly (includes illus. nos. 1 and 2)
	160200	1	Knob Latch ONLY with 2 Screws (without cam)
	160003	1	Dummy Lock ONLY (for Non-Coin Models)
	160104	1	MK-100 Key ONLY (for Dummy Lock)
	2	160008	1
160009		1	Knob Latch Adjustable Cam ONLY
150425		1	#12-24 x 3/8" Round Head Machine Screw ONLY (screw for Knob Latch Adjustable Cam)
3	157000	1	Drop Lint Door Spring
4	800237*	1	Insulated Drop Lint Door Assembly (includes illus. nos. 4 through 8)
	880229	1	Stainless Steel Insulated Drop Lint Drawer Assembly (includes illus. nos. 4 through 8)
5	150201	6	#10-32 x 1/4" Phillips Pan Head TEK Screw
6	117604	7	Neoprene Sponge Tape (sold by the foot)
7	117603	3	Suppressor Tape/Gasket (sold by the foot)
8	180212	1	Mid Trim/Kick Plate - Gray (8-1/4" length)
9	150419	2	#6 x 1/2" Tamperproof TEK Screw
	150418	1	Tamperproof Screw Hand Driver
10	108120	1	Chain for Drop Lint Door (10-1/2" length)

\* Specify color when ordering.



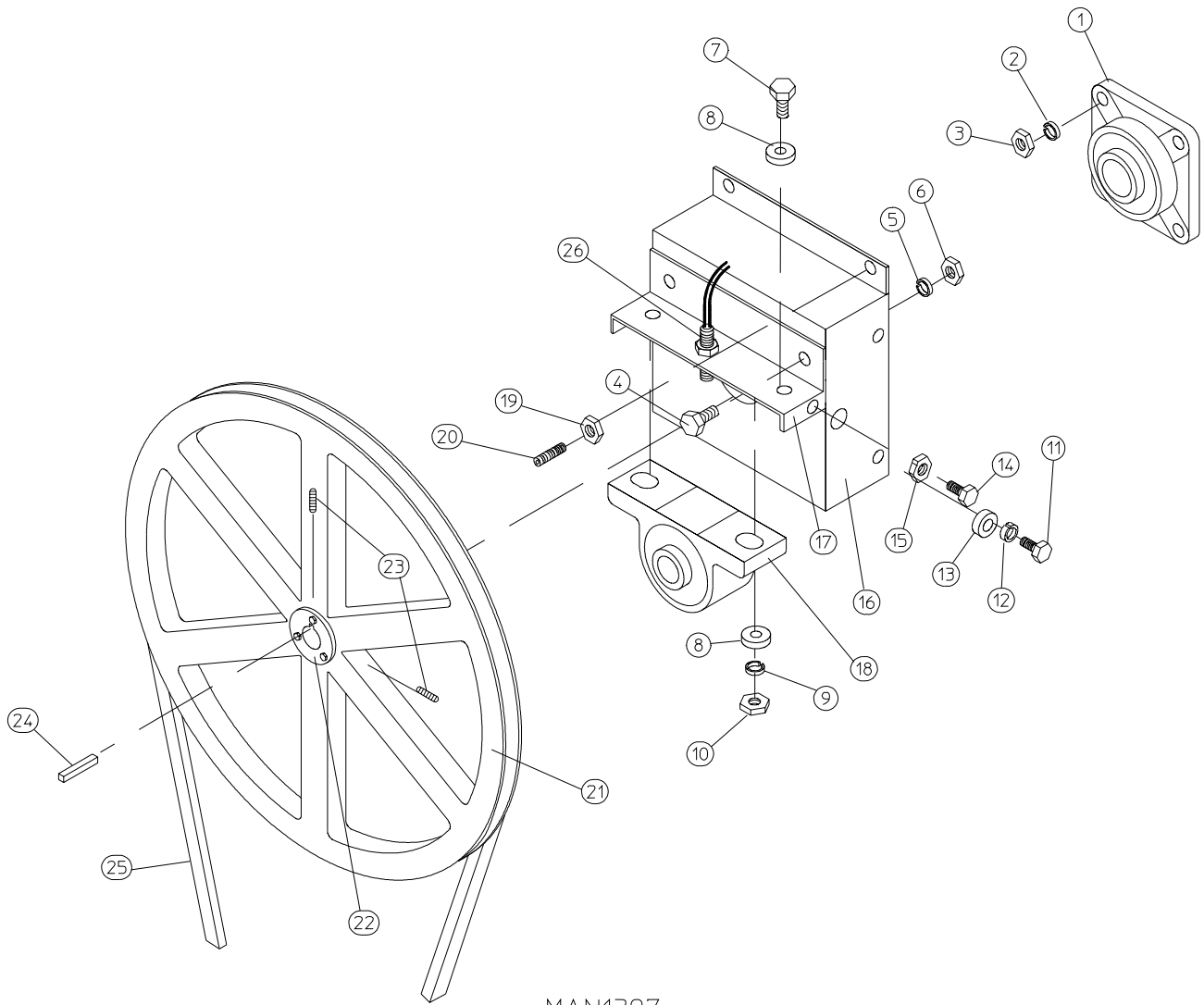
MAN0107

<u>Illus. No.</u>	<u>Part No.</u>	<u>Qty.</u>	<u>Description</u>
1	800420	1	Non-Reversing and Reversing Lint Trap Assembly Complete (includes illus. nos. 1, 3, 4, and 5)
	850181	1	Non-Reversing and Reversing Lint Trap ONLY
2	154200	7	5/32" Pop Rivet
3	304101	1	Lint Screen Holder ONLY
4	150300	3	#10 x 1/2" Hex Washer TEK Screw
5	800506	1	Lint Screen ONLY
6	150419	2	#6 x 1/2" Tamperproof TEK Screw
7	108120	1	Chain for Drop Lint Door (10-1/2" length)
-	150418	1	Tamperproof Screw Hand Driver



MAN2060

Illus. No.	Part No.	Qty.	Description
1	100108	1	5L-680 V-Belt (idler to basket [tumbler])
2	101140	1	14" x 3" Compound Pulley
3	100117	1	4L-620 V-Belt (idler to motor) For Non-Reversing Models ONLY
	100114	1	4L-630 V-Belt (idler to motor) For Reversing Models ONLY
4	154301	2	5/16-18 x 1" Allen Setscrew
5	100705	1	3/16" x 3/16" x 1-3/8" Key
6	301850	1	5/8" x 3/4" Idler Shaft
7	150529	3	1/4-20 x 2-1/4" Carriage Bolt
8	880214	2	5/8" Flange Bearing
9	153007	3	1/4" Lock Washer
10	152002	3	1/4-20 Hex Nut
11	801007	1	Idler Bearing Assembly Complete (includes illus. nos. 5 through 17)
12	150617	2	3/8-16 x 1" Hex Head Machine Bolt
13	153005	2	3/8" Lock Washer
14	153004	2	3/8" Flat Washer
15	801009	1	Idler Square Washer
16	152004	1	5/16-18 Hex Nut
17	150509	1	5/16-18 x 3" Hex Head Machine Bolt

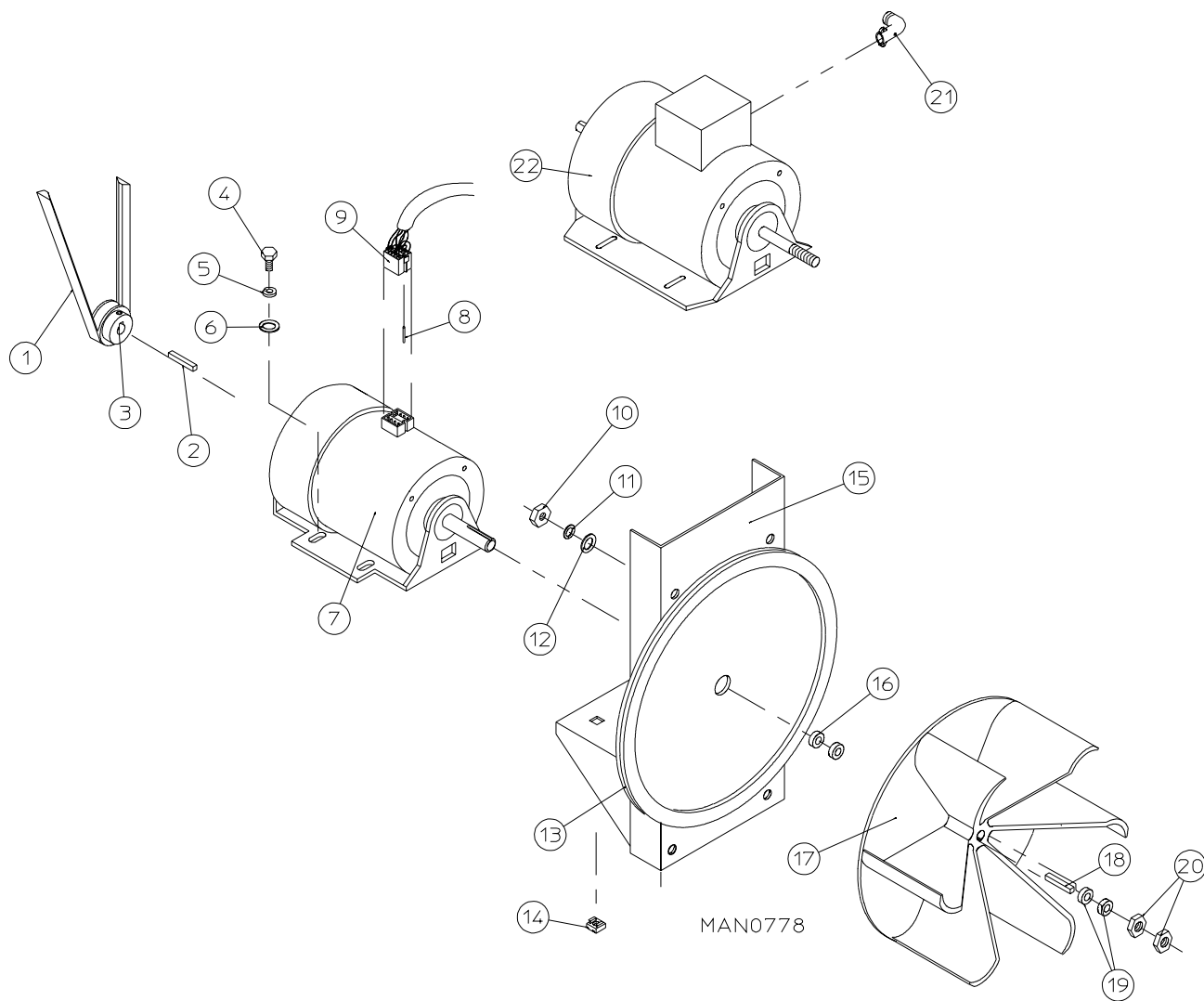


MAN1397

<u>Illus. No.</u>	<u>Part No.</u>	<u>Qty.</u>	<u>Description</u>
1	880220	1	1-3/4" Flange Bearing
2	153025	4	9/16" Lock Washer
3	152050	4	9/16-12 Hex Nut
4	150508	2	3/8-16 x 3/4" Hex Head Machine Bolt
5	153005	2	3/8" Lock Washer
6	152005	2	3/8-16 Hex Nut
7	150600	2	3/8-16 x 1-1/2" Hex Head Machine Bolt
8	153004	*	3/8" Flat Washer
9	153005	2	3/8" Lock Washer
10	152005	2	3/8-16 Hex Nut
11	150501	4	5/16-18 x 3/4" Hex Head Machine Bolt
12	153002	4	5/16" Lock Washer
13	153001	4	5/16" Flat Washer
14	150621	2	5/16-18 x 1-1/2" Hex Head Machine Bolt
15	152004	2	5/16-18 Hex Nut
16	801101	1	1-3/8" Bearing Box Assembly Complete (includes illus. nos. 4 through 20) For models mfd. without Rotational Sensor
	801103	1	1-3/8" Bearing Box and Support ONLY (includes illus. nos. 4, 5, 6, 16, and 17)
	801105	1	1-3/8" Bearing Box ONLY
17	801104	1	Pillow Block Bearing Support ONLY
18	880202	1	1-3/8" Pillow Block Bearing ONLY
	880779	1	1-3/8" Pillow Block Bearing Assembly with Magnet (for models mfd. with Optional Rotational Sensor)
19	152004	2	5/16-18 Hex Nut
20	150610	2	5/16-18 x 1-1/2" Allen Setscrew
21	101100	1	18" Pulley (for Non-Reversing Models Only)
	101118	1	18-3/4" Pulley (for Reversing Models Only)
22	101119	1	1-3/8" Taper Lock Hub ( <i>key is not included</i> ) For Reversing Models ONLY
23	154301	2	5/16-18 x 5/16" Allen Setscrew (for Non-Reversing Models Only)
24	100735	1	Shaft Key (for taper lock hub) For Reversing Models ONLY
25	100108	1	5L-680 V-Belt (idler to basket [tumbler])
26	824807	1	Rotational Sensor Assembly (for models mfd. with Optional Rotational Sensor)

\* As required.

## 22 Non-Reversing Totally Enclosed, Fan-Cooled (T.E.F.C.) Motor Mount Assembly



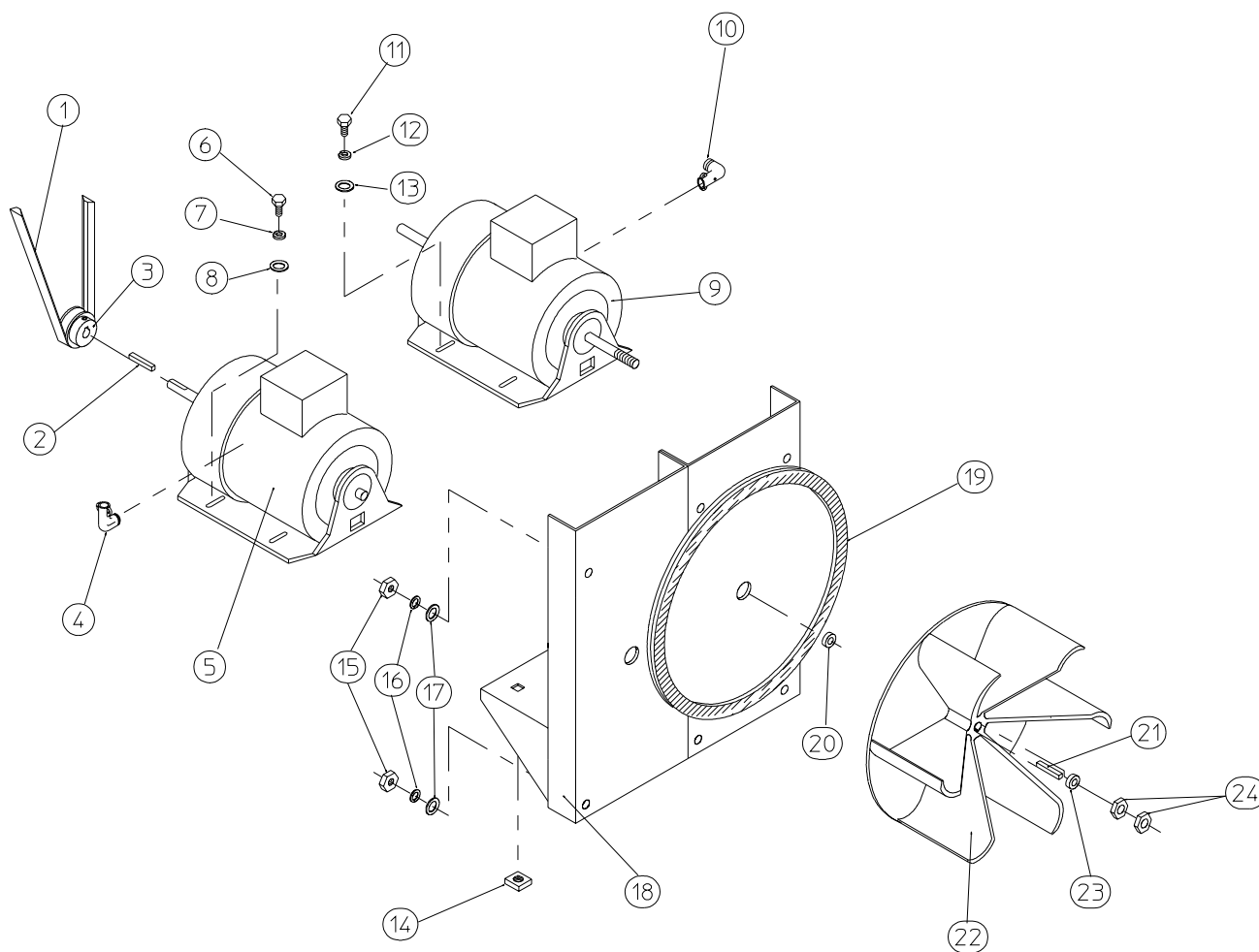


<u>Illus. No.</u>	<u>Part No.</u>	<u>Qty.</u>	<u>Description</u>
1	100117	1	4L-620 V-Belt (motor to idler)
2	100701	1	3/16" x 3/16" x 1" Key
3	101133	1	5/8" x 2-1/4" Motor Pulley (60 Hz Only)
	101130	1	5/8" x 2-1/2" Motor Pulley (50 Hz Only)
4	150501	4	5/16-18 x 3/4" Hex Head Machine Bolt
5	153002	4	5/16" Lock Washer
6	153001	4	5/16" Flat Washer
7*	100073	1	1 HP 120/208/230v 1 $\phi$ 60 Hz T.E.F.C. Motor with Plug (56Z frame)
8	122701	8	Socket Terminal
	122801	1	Pin/Socket Extraction Tool
9	137030	1	8-Pin Housing Connector
10	152004	4	5/16-18 Hex Nut
11	153002	4	5/16" Lock Washer
12	153001	4	5/16" Flat Washer
13	117604	4	Neoprene Sponge Tape (sold by the foot)
14	154000	4	5/16-18 Tinnerman Nut
15	800919	1	Non-Reversing Motor Mount ONLY (56Z frame)
	803992*	1	1 HP 120/230v 1 $\phi$ 60 Hz T.E.F.C. Motor Mount Assembly with Plug Complete (includes illus. nos. 2 through 7 and 13 through 20)
	803953	1	3/4 HP 230v 1 $\phi$ 50 Hz Non-Reversing T.E.F.C. Motor Mount Assembly Complete (includes illus. nos. 2 through 6 and 13 through 22)
	803955*	1	1 HP 230/380/460v 3 $\phi$ 60 Hz Non-Reversing T.E.F.C. Motor Mount Assembly Complete (includes illus. nos. 2 through 6 and 13 through 22)
	803958*	1	1 HP 230/380/460v 3 $\phi$ 50 Hz Non-Reversing T.E.F.C. Motor Mount Assembly Complete (includes illus. nos. 2 through 6 and 13 through 22)
16	153051	1	3/4" S.A.E. Flat Washer
17	100603	1	16" Impellor with 3/4" Bore
18	100714	1	3/16" x 3/16" x 1-7/8" Key
19	153050	2	1/2" S.A.E. Flat Washer
20	152006	2	1/2-20 Left Hand Jam Nut
21	120200	1	3/8" x 90° Connector
22	100075*	1	1 HP 208/230/240/460v 3 $\phi$ 50/60 Hz T.E.F.C. Motor
	100076	1	3/4 HP 230v 1 $\phi$ T.E.F.C. Motor (50 Hz Only)

\* Specify voltage when ordering.

# 24 Reversing Totally Enclosed, Fan-Cooled (T.E.F.C.) Motor Mount Assembly

for ALL Gas and Electric Models **ONLY**



MAN0250

**for ALL Gas and Electric Models ONLY**

<u>Illus. No.</u>	<u>Part No.</u>	<u>Qty.</u>	<u>Description</u>
1	100114	1	4L-630 V-Belt (to idler assembly)
2	100701	1	3/16" x 3/16" x 1" Key
3	101130	1	5/8" x 2-1/2" Motor Pulley (60 Hz Only)
	101139	1	5/8" x 2-3/4" Motor Pulley (50 Hz Only)
4	120200	1	3/8" x 90° Connector
5	181003	1	1/2 HP 208/230/380/460v 3ø 50/60 Hz T.E.F.C. Motor (56Z frame)
6	150501	4	5/16-18 x 3/4" Hex Head Machine Bolt
7	153002	4	5/16" Lock Washer
8	153001	4	5/16" Flat Washer
9*	100075	1	1 HP 220/230/380/460v 3ø 50/60 Hz T.E.F.C. Motor with 3/4" Shaft (56Z frame)
10	120200	1	3/8" x 90° Connector
11	150501	4	5/16-18 x 3/4" Hex Head Machine Bolt
12	153002	4	5/16" Lock Washer
13	153001	4	5/16" Flat Washer
14	154000	8	5/16" Tinnerman Nut
15	152004	7	5/16" Hex Nut
16	153002	7	5/16" Lock Washer
17	153001	7	5/16" Flat Washer
18	800920	1	Reversing Motor Mount ONLY (56Z frame)
	803952**	1	60 Hz Reversing T.E.F.C. Motor Mount Assembly Complete (includes illus. nos. 2 through 14 and 18 through 24)
	803987**	1	50 Hz Reversing T.E.F.C. Motor Mount Assembly Complete (includes illus. nos. 2 through 14 and 18 through 24)
19	117604	4	Neoprene Sponge Tape (sold by the foot)
20	153051	1	3/4" S.A.E. Flat Washer
21	100714	1	3/16" x 3/16" x 1-7/8" Key
22	100603	1	16" Impellor with 3/4" Bore
23	153050	***	1/2" S.A.E. Flat Washer
24	152006	2	1/2-20 Left Hand Jam Nut

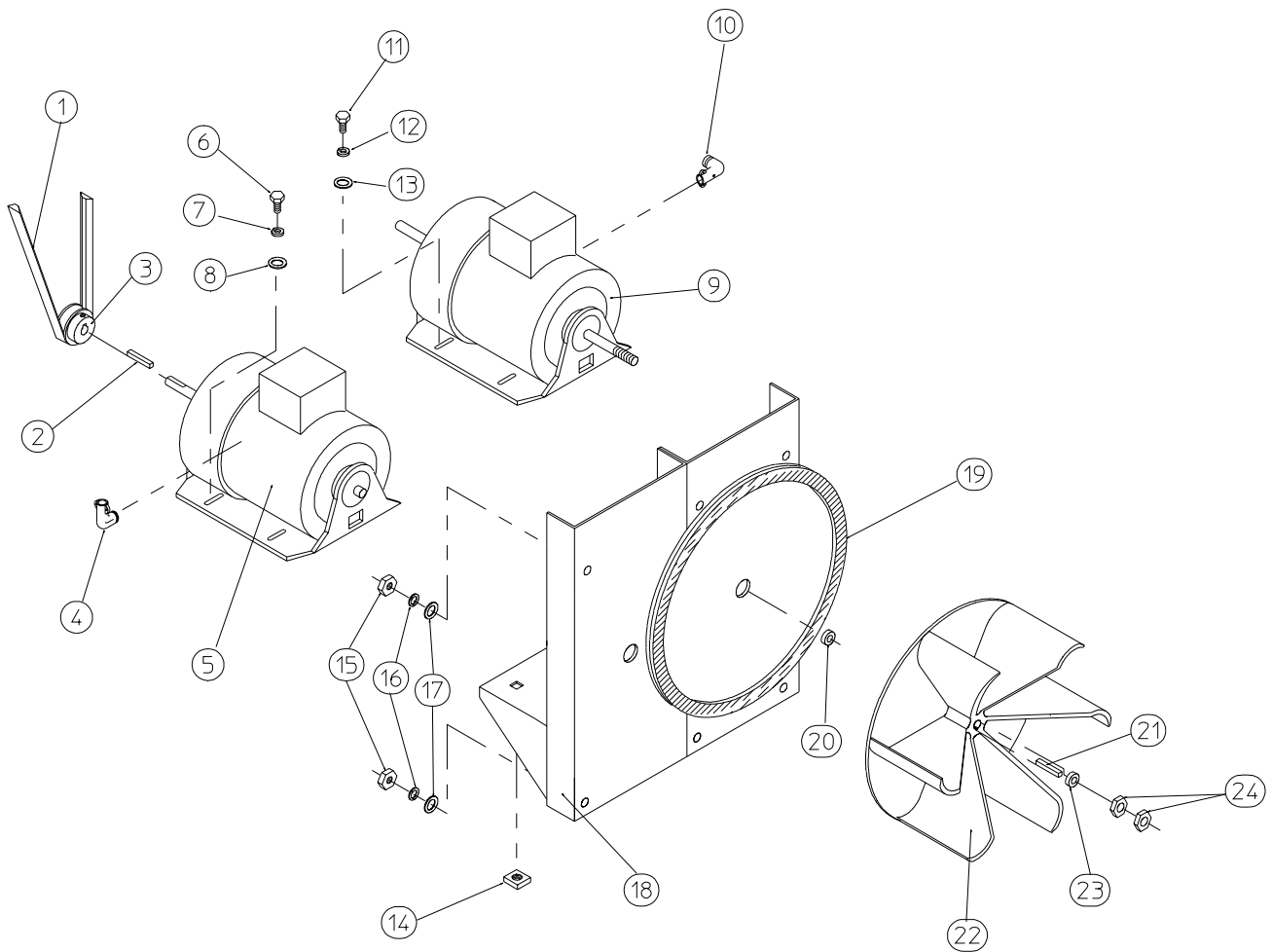
\* Check part number on motor data label to verify correct motor.

\*\* Specify voltage when ordering.

\*\*\* As required.

# 26 Reversing Totally Enclosed, Fan-Cooled (T.E.F.C.) Motor Mount Assembly

for Steam Models ONLY



MAN0250

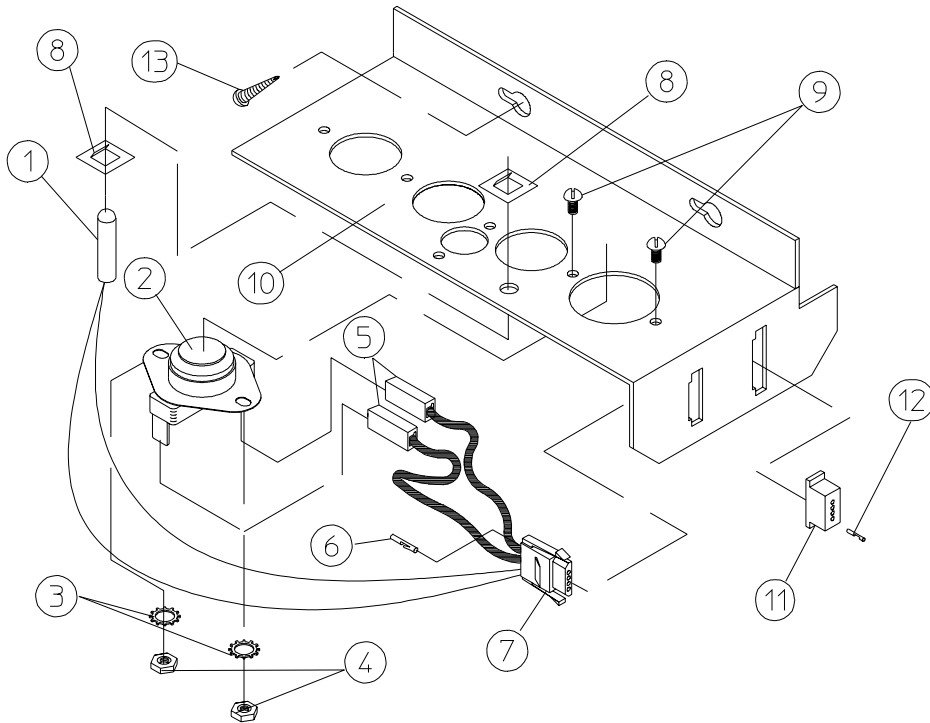
**for Steam Models ONLY**

<u>Illus. No.</u>	<u>Part No.</u>	<u>Qty.</u>	<u>Description</u>
1	100114	1	4L-630 V-Belt (motor to idler)
2	100701	1	3/16" x 3/16" x 1" Key
3	101130	1	5/8" x 2-1/2" Motor Pulley (60 Hz Only)
	101139	1	5/8" x 2-3/4" Motor Pulley (50 Hz Only)
4	120200	1	3/8" x 90° Connector
5	181003	1	1/2 HP 208/230/380/460v 3ø 50/60 Hz T.E.F.C. Motor (56Z frame)
6	150501	4	5/16-18 x 3/4" Hex Head Machine Bolt
7	153002	4	5/16" Lock Washer
8	153001	4	5/16" Flat Washer
9*	100075	1	1 HP 220/230/380/460v 3ø 50/60 Hz T.E.F.C. Motor with 3/4" Shaft (56Z frame)
10	120200	1	3/8" x 90° Connector
11	150501	4	5/16-18 x 3/4" Hex Head Machine Bolt
12	153002	4	5/16" Lock Washer
13	153001	4	5/16" Flat Washer
14	154000	8	5/16" Tinnerman Nut
15	152004	7	5/16" Hex Nut
16	153002	7	5/16" Lock Washer
17	153001	7	5/16" Flat Washer
18	800920	1	Reversing Motor Mount ONLY (56Z frame)
	803952**	1	60 Hz Reversing T.E.F.C. Motor Mount Assembly Complete (includes illus. nos. 2 through 14 and 18 through 24)
	803987**	1	50 Hz Reversing T.E.F.C. Motor Mount Assembly Complete (includes illus. nos. 2 through 14 and 18 through 24)
19	117604	4	Neoprene Sponge Tape (sold by the foot)
20	153051	1	3/4" S.A.E. Flat Washer
21	100702	1	1/8" x 1/8" x 1-1/2" Key
22	100603	1	16" Impellor with 3/4" Bore
23	153050	***	1/2" S.A.E. Flat Washer
24	152006	2	1/2-20 Left Hand Jam Nut

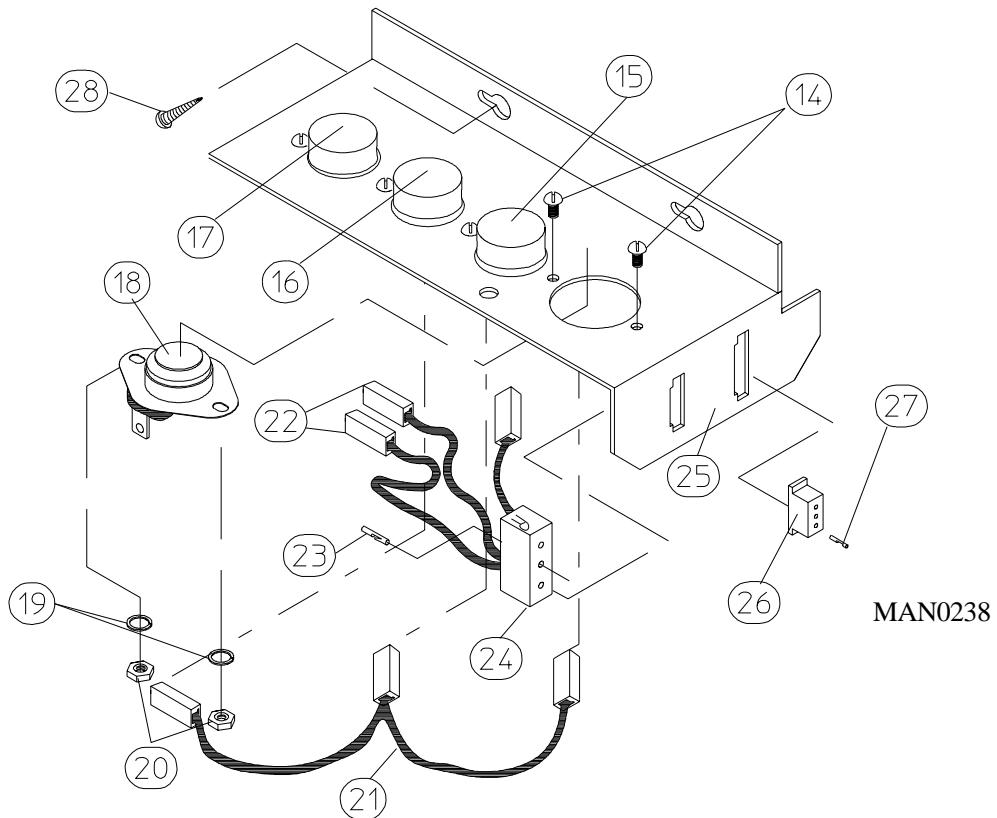
\* Check part number on motor data label to verify correct motor.

\*\* Specify voltage when ordering.

\*\*\* As required.



### Microprocessor Sensor Bracket Assembly



### Non-Computer Sensor Bracket Assembly

<u>Illus. No.</u>	<u>Part No.</u>	<u>Qty.</u>	<u>Description</u>
1	880251	1	1/4" Temperature Sensor Probe Assembly (includes illus. nos. 1 and 5 through 8)
2	130103	1	225° Large Automatic Reset Thermostat
3	153010	2	#6 Star Washer
4	152000	2	#6-32 Hex Nut
5	121028	2	Insulated Terminal ONLY
6	122701	4	Socket Terminal ONLY
	112801	1	Pin/Socket Extraction Tool
7	122605	1	4-Pin Socket Connector ONLY
8	154007	2	1/4" Tinnerman Push-on Fastener
9	150005	2	#6-32 x 1/4" Round Head Machine Screw
10	801425	1	Microprocessor Sensor Bracket Assembly Complete (includes illus. nos. 1 through 10)
	305007	1	Universal Sensor Bracket ONLY
11	122604	1	4-Pin Connector ONLY
12	122700	4	Pin Terminal ONLY
13	150301	2	#8-18 x 7/16" Phillips Pan Head TEK Screw
14	150005	*	#6-32 x 1/4" Phillips Round Head Machine Screw
15	130111	1	130° Large Thermostat )
16	130100	1	150° Large Thermostat
17	130103	1	225° Large Automatic Reset Thermostat
18	130101	1	180° Large Thermostat
19	153010	*	#6 Star Washer
20	152000	*	#6-32 Hex Nut
21	840065	1	Sensor Jumper (4) ONLY
22	121028	*	Insulated Terminal ONLY
23	122701	*	Socket Terminal ONLY
24	122605	1	4-Pin Socket Connector ONLY
	840062	1	Sensor (4) Bracket Harness Assembly (includes illus. nos. 22, 23, and 24)
25	801418	1	Non-computer Sensor (4) Bracket Assembly Complete (includes Thermostats) (includes illus. nos. 14 through 25)
	305007	1	Universal Sensor Bracket ONLY
26	122604		4-Pin Connector ONLY
27	122700	*	Pin Terminal ONLY
	122801	1	Pin/Socket Extraction Tool
28	150301	2	#8-18 x 7/16" Phillips Pan Head TEK Screw

\* As required.

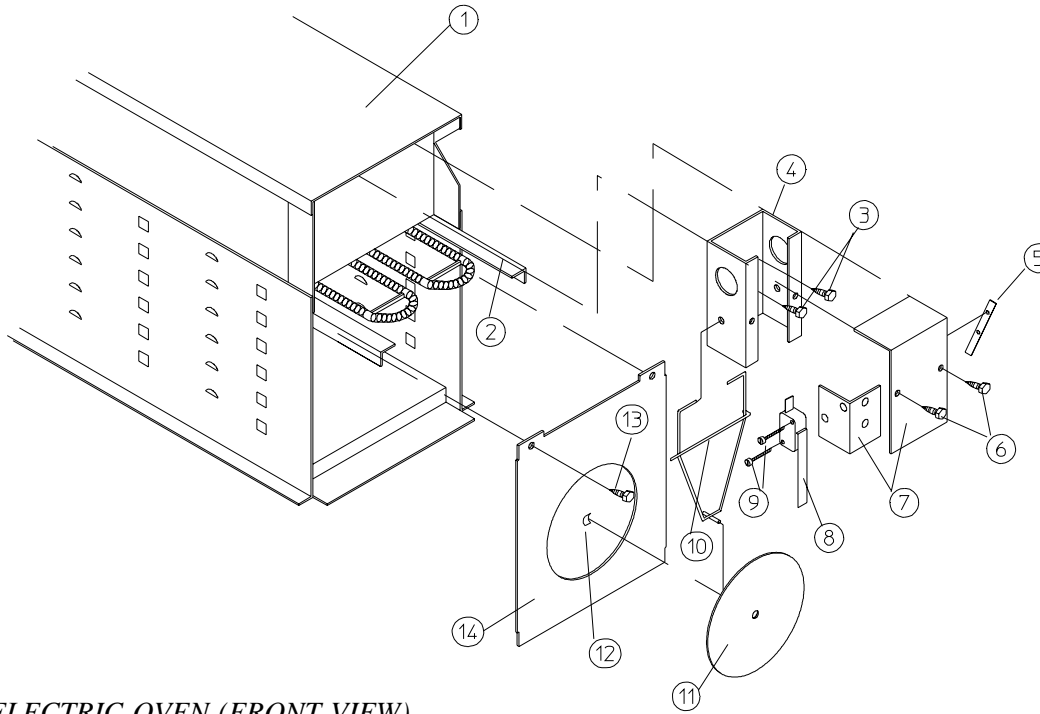




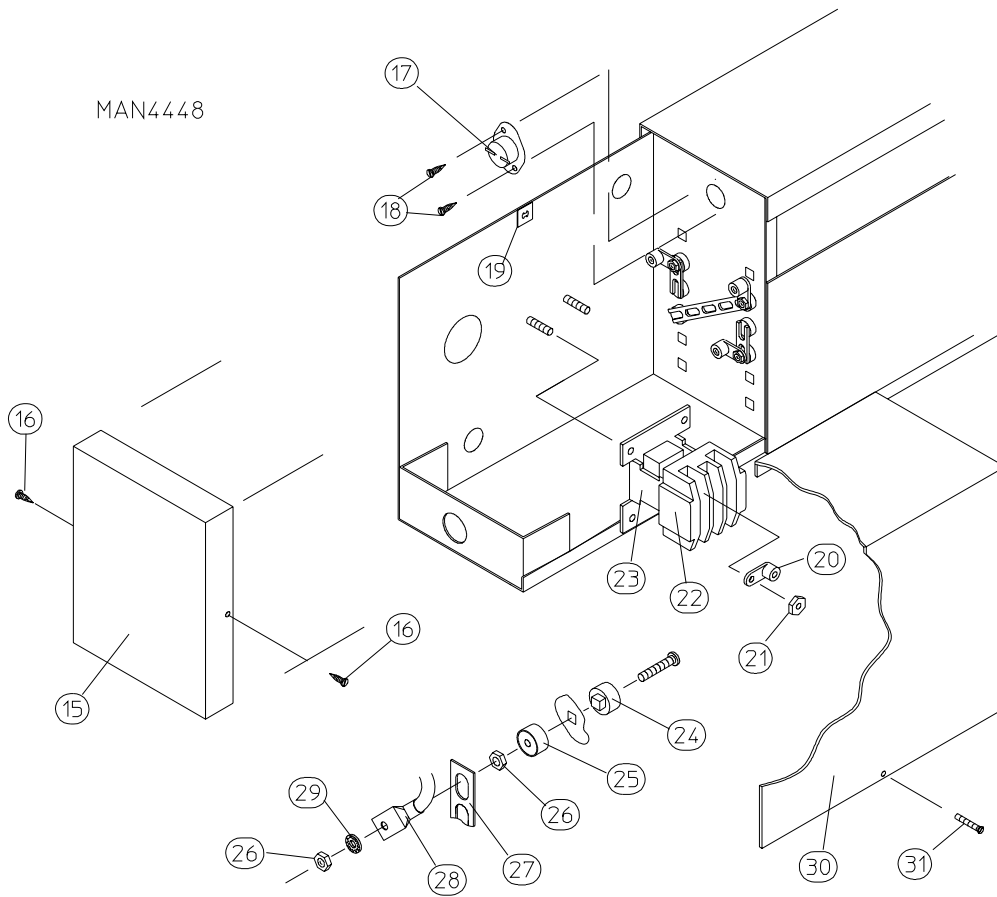
<u>Illus. No.</u>	<u>Part No.</u>	<u>Qty.</u>	<u>Description</u>
1	881781*	1	Natural Gas Burner Assembly Complete Less Orifices (includes illus. nos 1 through 9 and 11 through 29) For models mfd. with Natural Gas ONLY
	881784*	1	L.P. (liquid propane) Gas Burner Assembly Complete Less Orifices (includes illus. nos 1 through 9 and 11 through 29) For models mfd. with L.P. (liquid propane) Gas ONLY
	802237	1	Burner Box ONLY
	881231**	1	ADG-75THS L.P. Conversion Kit
2	318041	1	Burner Box Front ONLY
3	150309	5	#10-16 x 1/2" Hex Head TEK Crimptite Screw
4	810029	1	Hot Surface Ignition (HSI) Module Mounting Bracket
5	881797	1	HSI (Hot Surface Ignition) Module II
6	141105	4	Large Burner Tube
7	150103	4	#8-32 x 1/2" Phillips Round Head Machine Screw
8	153000	4	#8 Steel Burr
9	151001	4	#8-32 Pal Nut
10**	140820	4	#29 Burner Orifice (natural gas) ONLY
	140804	4	#48 Burner Orifice (liquid propane gas) ONLY
11	141210	1	4-Port Manifold
12	318700	2	Pipe Bracket
13	150300	2	#10 x 1/2" Hex Washer TEK Screw
14	128927	1	1/2" 24 VAC Redundant (natural gas) Gas Valve
	880960	1	1/2" 24 VAC L.P. (liquid propane) Gas Valve Assembly
	140411	1	24 VAC Gas Valve L.P. (liquid propane) Conversion Kit
15	881367	1	1/2' Union Shut Off with Tail Piece
16	142809	1	1/2" x 29-1/8" Nipple
17	323737	1	Pipe Bracket
18	319704	1	Hi-Limit Mounting Bracket
19	151000	2	#6-32 Pal Nut
20	150001	2	#6-32 x 1/2" Phillips Round Head Machine Screw
21	130201	1	330° Manual Reset Hi-Limit ONLY
22	-----	1	Sail Switch (refer to <b>Sail Switch Assembly</b> on <b>page 35</b> )
23	143000	1	3/4" to 1/2" Reducing Coupling
24	150309	2	#10-16 x 1/2" Hex Head TEK Crimptite Screw
25	150309	2	#10-16 x 1/2" Hex Head TEK Crimptite Screw
26	151001	2	#8-32 Pal Nut
27	150309	3	#10-16 x 1/2" Hex Head TEK Crimptite Screw
28	128921	1	HSI Flame Sensor
29	150301	1	#8-18 x 7/16" Phillips Pan Head TEK Screw
30	881597	1	Hot Surface Ignitor (2-1/2" length) - 24 VAC
31	150309	1	#10-16 x 1/2" Hex Head TEK Crimptite Screw

\* Burner orifices *are not included* and **must be** ordered separately.

\*\* Consult factory for elevations over 2,000 feet.



ELECTRIC OVEN (FRONT VIEW)



ELECTRIC OVEN (REAR VIEW)

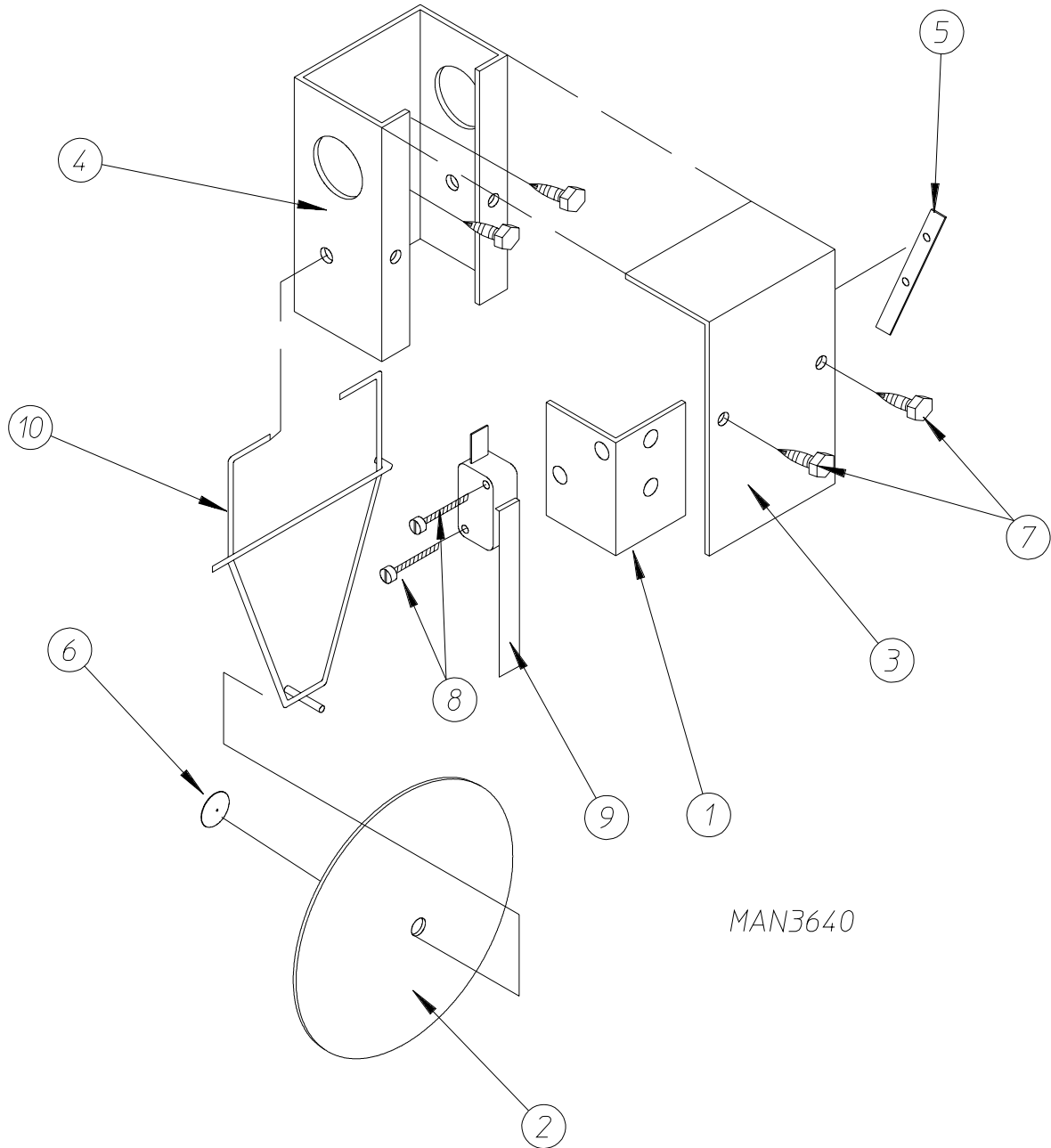
<u>Illus. No.</u>	<u>Part No.</u>	<u>Qty.</u>	<u>Description</u>
1	803005	1	Large Electric Oven Box ONLY
	-----*	1	Electric Oven Assembly Complete
2	-----*	-	Electric Element
3	150300	2	#10 x 1/2" Hex Washer TEK Screw
4	802800	1	Sail Switch Box with Bracket and Cover ONLY
	802801	1	Sail Switch Box Assembly Complete (includes illus. nos. 4 through 12)
5	154004	1	Twin Speed Nut
6	150413	2	#10-16 x 1/2" Phillips Round Head Crimptite Screw
7	802799	1	Sail Switch Box Cover and Bracket ONLY
8	122200	1	Sail Switch ONLY
9	150303	2	#4 x 3/4" Pan Head "A" Machine Screw
10	105500	1	Sail Switch Actuator Rod
11	319202	1	Sail Switch Damper (flat)
12	154002	1	1/8" Push-on Fastener
13	150300	2	#10 x 1/2" Hex Washer TEK Screw
14	803100	1	Electric Oven Front Cover ONLY
15	320611	1	Large Relay Box Cover ONLY
16	150402	2	#10-24 x 5/8" Slotted Truss Head Machine Screw
17	130400	1	290° Hi-Limit
18	150300	2	#10 x 1/2" Hex Washer TEK Screw
19	154001	1	#10-24 Speed Nut
20	121012	1	Terminal Lug for 110-8 Wire
21	152014	3	1/4-20 Free Spin Wash Nut
22	-----*	1	Oven Relay
23	-----*	1	Oven Relay Replacement Coil
24	120081	-	Internal Ceramic Insulator (2 per element)
25	120080	-	External Ceramic Insulator (2 per element)
26	152008	-	#10-32 Hex Nut (4 per element)
27	121011*	-	Bus Bar
28	-----**	-	Terminal Lug
29	153009	-	#10 Star Washer (2 per element)
30	320607	1	Large Electric Oven Right Side Cover ONLY
31	150402	2	#10-24 x 5/8" Truss Head Machine Screw

\* Refer to **Electric Oven Component Application Chart** on **page 34**.

\*\* Consult factory for Wiring Harness required.

Kw	Volt	Phase	Wire	Oven Assembly* Part No.	Elements			Oven Wire			Terminal Lug		Bus Bar P/N 121011	Oven Relay	
					Qty.	Size	Part No.	Qty.	Size	Part No.	Qty.	Part No.		Cat. No.	Part No.
40	416	3 $\phi$	3 or 4	824822	6	6.6	120027	4	#6	133200	9	121010	1	DFAG	131361
36	208	3 $\phi$	3 or 4	824921	6	6	120015	4	#2	133302	4	121012	1	GEAJ	131385
36	230	3 $\phi$	3	824920	6	6	120014	4	#2	133302	9	121012	1	FEAJ	131375
36	416	3 $\phi$	3 or 4	824921	6	6	120015	4	#4	133300	4	121012	1	DFAG	131361
36	460/480	3 $\phi$	3 or 4	824920	6	6	120014	4	#2	133302	9	121012	1	DPA43	131357
33	380	3 $\phi$	3 or 4	824921	6	6	120015	4	#2	133302	4	121012	1	DFAJ	131361
30	208	3 $\phi$	3 or 4	824918	6	5	120012	6	#4	133300	3	121012	1	FEAJ	131375
30	230	3 $\phi$	3	824935	6	5	120013	3	#4	133300	4	121012	1	FEAJ	131375
30	416	3 $\phi$	3 or 4	824947	6	5	120012	4	#8	133100	6	121010	2	DPA43	131357
30	460/480	3 $\phi$	3 or 4	824953	6	5	120013	4	#8	133100	6	121010	2	BFAJ	131351
25	380	3 $\phi$	3 or 4	824940	6	5	120012	4	#8	133100	6	121010	2	BFAJ	131351
24	208	3 $\phi$	3 or 4	824916	6	4	120010	3	#4	133300	4	121012	1	DPA63	131369
24	230	3 $\phi$	3	824933	6	4	120011	3	#6	133200	3	121010	1	DFAG	131361
24	416	3 $\phi$	3 or 4	824946	6	4	120010	4	#8	133100	6	121010	2	BFAJ	131351
24	460/480	3 $\phi$	3 or 4	824952	6	4	120011	4	#10	133000	6	121010	2	BFAJ	131351
20	208	1 $\phi$	2	824904	5	4	120010	2	#4	133300	2	121010	2	GEAJ	131385
20	230	1 $\phi$	2	824926	5	4	120011	2	#4	133300	3	121010	2	FEAJ	131375
20	380	3 $\phi$	3 or 4	824939	6	4	120010	4	#10	133000	6	121010	2	BFAJ	131351

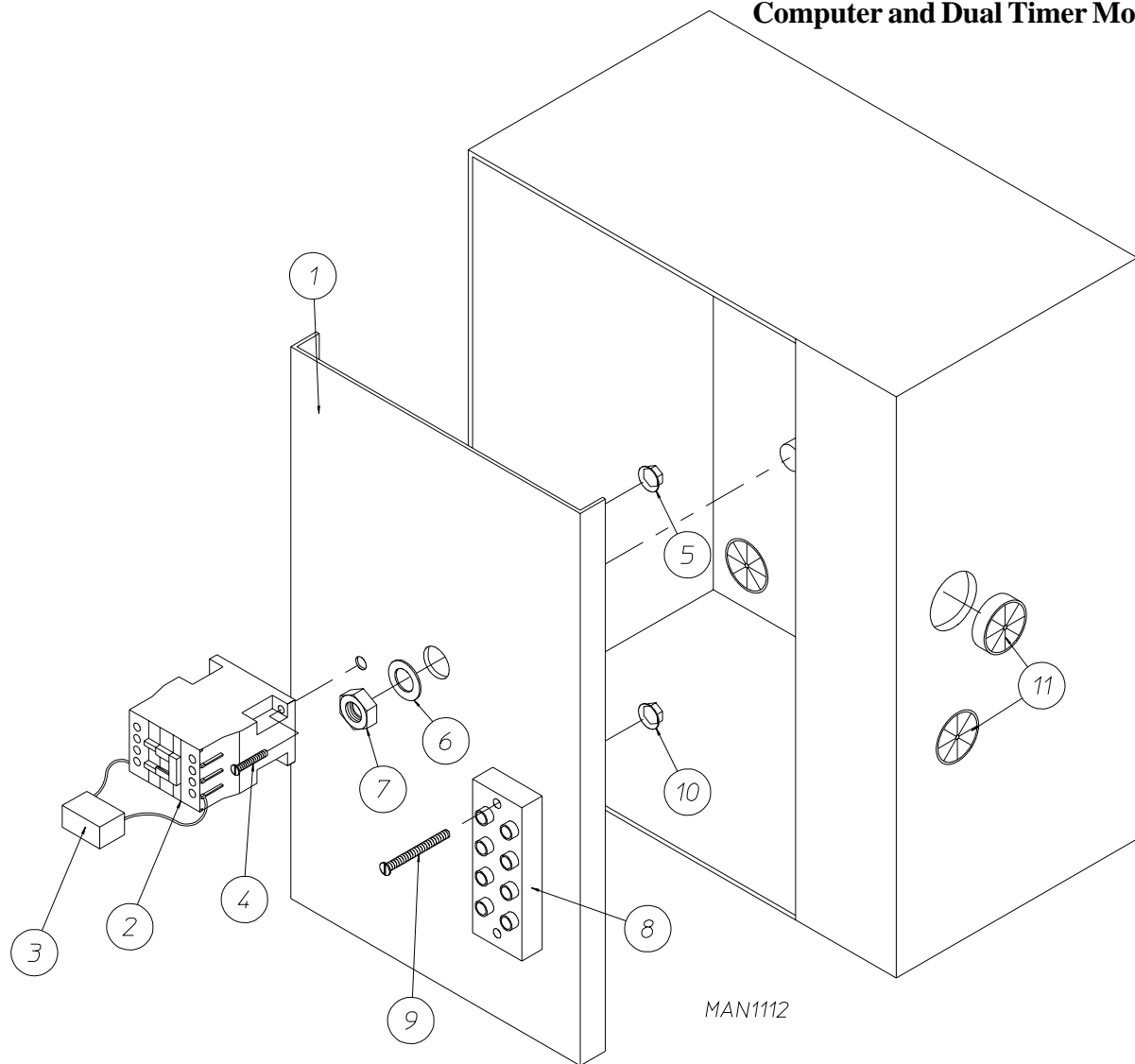
\* Oven assembly complete **does not include** oven relay. This item **must be** ordered separately. When ordering *Oven Assembly Complete*, specify 3 wire or 4 wire when applicable, as well as if dryer has *microprocessor (computer)* or *non-microprocessor* controls.



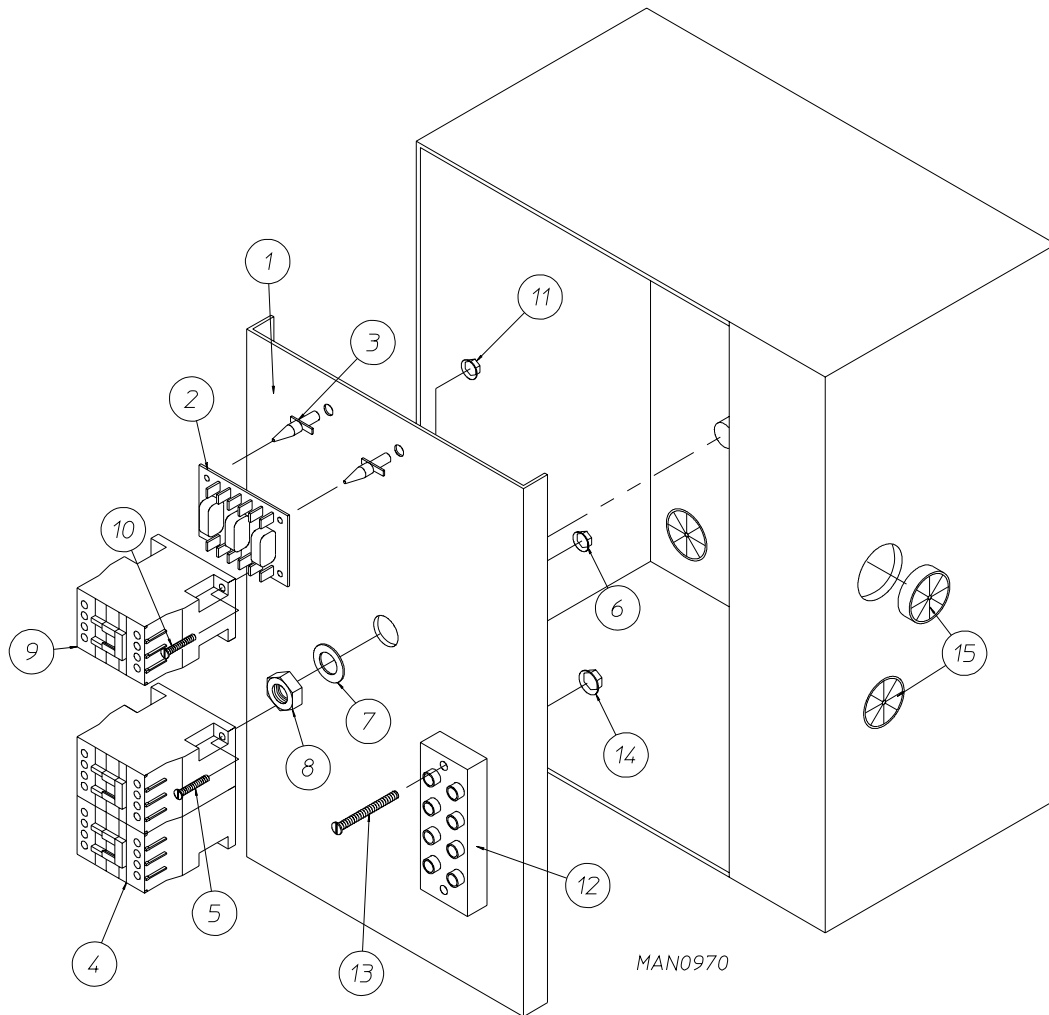
MAN3640

<u>Illus. No.</u>	<u>Part No.</u>	<u>Qty.</u>	<u>Description</u>
1	319203	1	Sail Switch Mounting Bracket
2	319202	1	Sail Switch Damper (flat)
3	319201	1	Sail Switch Box Cover
4	319200	1	Sail Switch Box
5	154004	1	Twin Speed Nut
6	154002	1	1/8" Push-on Fastener
7	150309	4	#10-16 x 1/2" Hex Head TEK Crimptite Screw
8	150303	2	#4 x 3/4" Pan Head "A" Machine Screw
9	122200	1	Sail Switch ONLY
	881706	1	Sail Switch Box Assembly Complete (includes illus. nos. 1 through 10)
10	105500	1	Sail Switch Actuator Rod

## Computer and Dual Timer Models



Illus. No.	Part No.	Qty.	Description
1	322812	1	Back Electrical Box Component Plate
2	132445	1	12-Amp Contactor Single-Phase (1 $\phi$ ) and 3-Phase (3 $\phi$ ) - 24 VAC
3	137015	1	RC Network (for microprocessor [computer] models ONLY)
4	150103	2	#8-32 x 3/4" Phillips Round Head Machine Screw
5	151001	2	#8-32 Pal Nut
6	153002	1	5/16" Lock Washer
7	152004	1	5/16-18 Hex Nut
8	120701	1	4-Position Terminal Block
9	150008	2	#6-32 x 1-1/4" Slotted Round Head Machine Screw
10	151000	2	#6-32 Pal Nut
11	121300	3	Open/Close Bushing
---	322809	1	Back Electrical Box Cover ... Not Illustrated
---	150301	4	#8-18 x 7/16" Phillips Pan Head TEK Screw ... Not Illustrated
---	-----	1	Transformer ... Not Illustrated (refer to <b>Step Down Transformer Usage Listing</b> on <a href="#">page 45</a> )



Illus. No.	Part No.	Qty.	Description
1	322812	1	Back Electrical Box Component Plate
2	137060	1	Arc Suppressor Board
3	137013	4	Nylon Standoff
4	132431	1	Reversing Contactor (208/230/240v, 50/60 Hz) - 24 VAC
	132432	2	Reversing Contactor Replacement Coil (208/230/240v, 50/60 Hz) - 24 VAC
5	150103	2	8-32 x 3/4" Phillips Round Head Machine Screw
6	151001	2	8-32 Pal Nut
7	153002	1	5/16" Lock Washer
8	152004	1	5/16-18 Hex Nut
9	132430	1	Impellor Contactor (208/230/240v, 50/60Hz) 24 VAC
	132432	1	Impellor Contactor Replacement Coil (208/230/240v, 50/60 Hz) - 24 VAC
10	150103	2	8-32 x 3/4" Phillips Round Head Machine Screw
11	151001	2	8-32 Pal Nut
12	120701	1	4-Position Terminal Block
13	150008	2	6-32 x 1-1/4" Slotted Round Head Machine Screw
14	151000	2	6-32 Pal Nut
15	121300	3	Open/Close Bushing
---	322809	1	Back Electrical Box Cover ... Not Illustrated
---	150301	4	#8-18 x 7/16" Phillips Pan Head TEK Screw ... Not Illustrated
---	-----	1	Transformer ... Not Illustrated

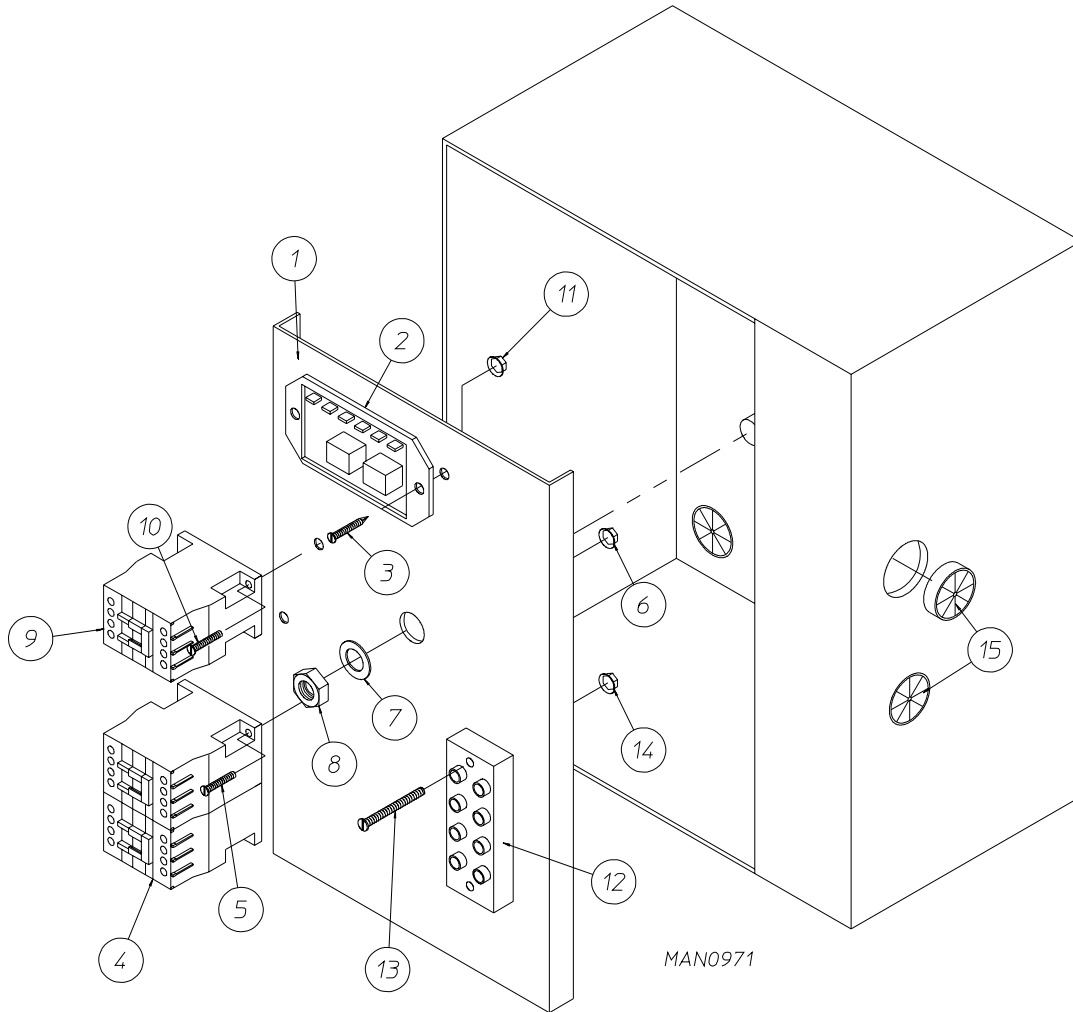
(refer to **Step Down Transformer Usage Listing** on **page 45**)





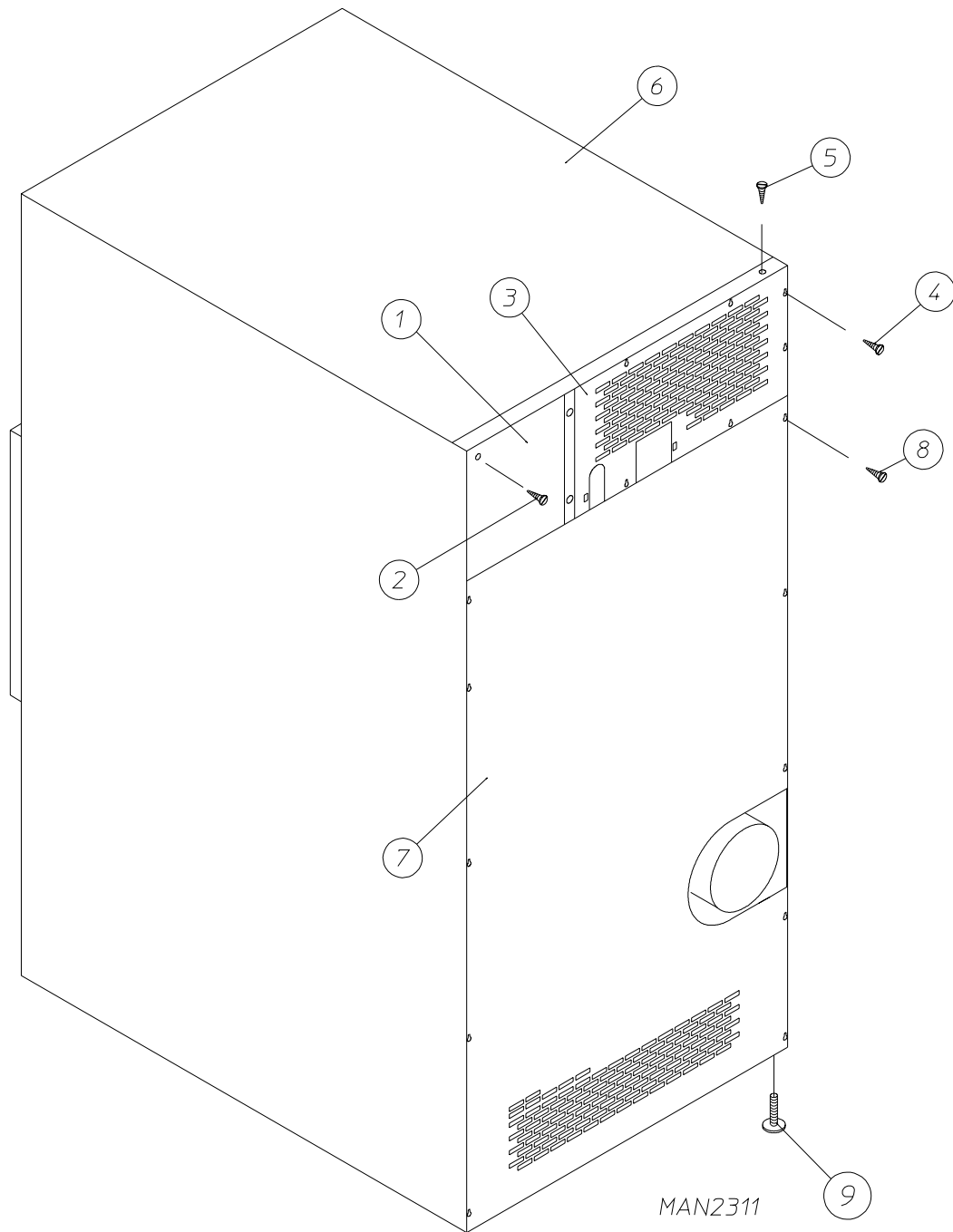
---

<u>Illus. No.</u>	<u>Part No.</u>	<u>Qty.</u>	<u>Description</u>
1	165009	1	Steam Coil Assembly
2	153002	6	5/16" Lock Washer
3	152004	6	5/16-18 Hex Nut
4	152002	4	1/4-20 Hex Nut
5	153007	4	1/4" Lock Washer
6	820321	2	Steam Damper Hinge Assembly
7	803415	1	Steam Damper Assembly (includes illus. nos. 7, 10, and 11)
8	153007	4	1/4" Lock Washer
9	152002	4	1/4-20 Hex Nut
10	115995	108	Steam Damper Gasket (sold by the inch)
11	102350	1	Steam Damper Foam (68-1/2" length)
12	151007	1	7/16-20 Stainless Steel Acorn Nut
13	152007	1	7/16-20 Hex Nut
14	100497	1	1-1/4" Bore x 3" Stroke Piston
15	100492	1	Piston Support Bracket
16	152002	4	1/4-20 Hex Nut
17	153007	4	1/4" Lock Washer
18	100472	1	1/4" x 1/8" Connector
19	143110	1	1/4" Tubing (sold in feet)
20	100472	1	1/4" x 1/8" Connector
21	100496	1	1/8" Needle Valve
22	143238	1	1/8" Close Nipple
23	100498	1	3-Way Micro Valve - 24 VAC
24	150002	2	#6-32 x 1" Phillips Round Head Machine Screw
25	153010	2	#6 Star Washer
26	152000	2	6-32 Hex Nut
27	330987	1	Micro Valve Support Bracket
28	152002	2	1/4-20 Hex Nut
29	153007	2	1/4" Lock Washer
30	100520	1	1/8" N.P.T. Silencer (muffler)

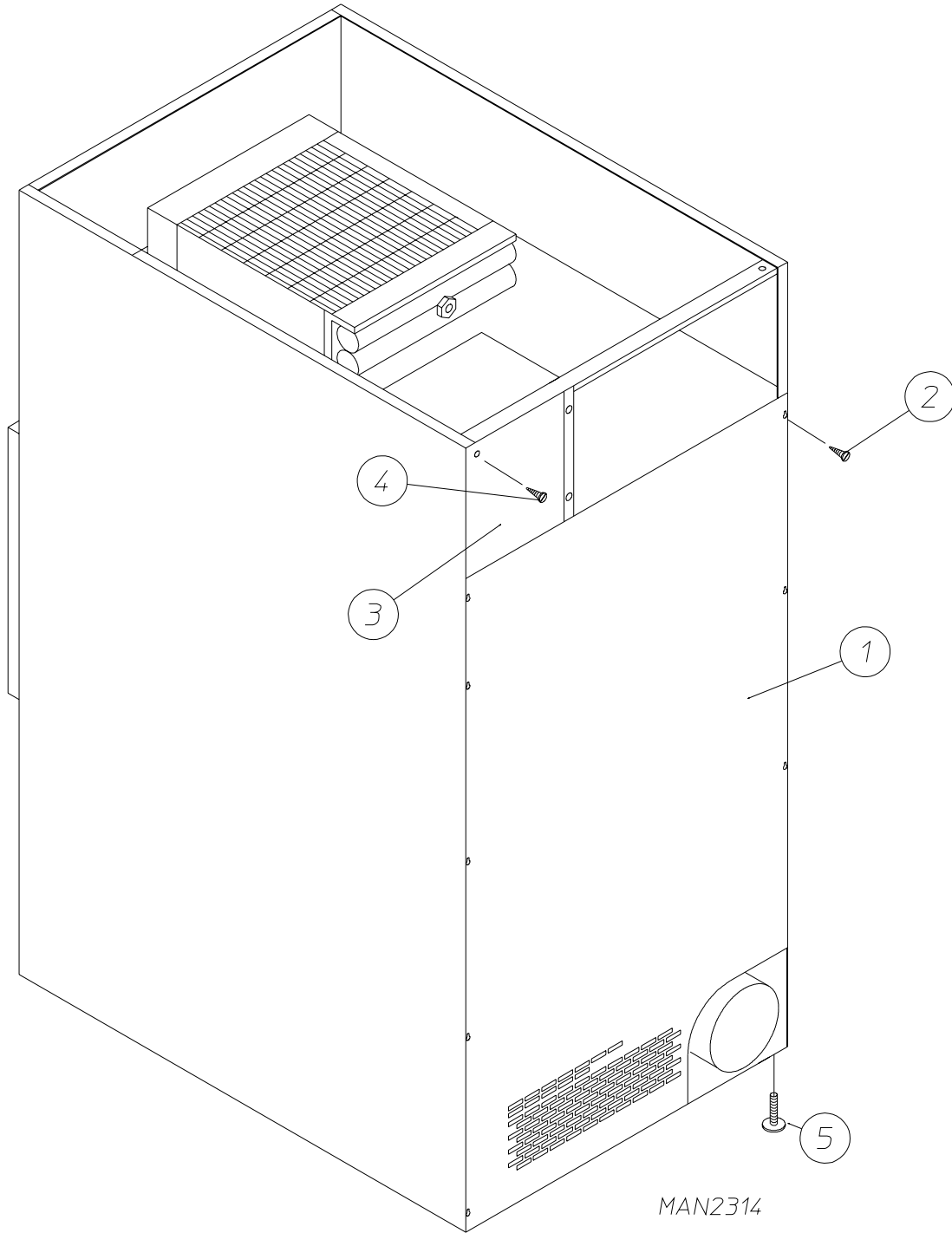


Illus. No.	Part No.	Qty.	Description
1	322812	1	Back Electrical Box Component Plate
2	132198	1	Reversing Timer (50/60 Hz) - 24 VAC
3	150301	2	#8-18 x 7/16" Phillips Pan Head TEK Screw
4	132431	1	Reversing Contactor (208/230/240v, 50/60 Hz) - 24 VAC
	132432	2	Reversing Contactor Replacement Coil (208/230/240v, 50/60 Hz) - 24 VAC
5	150103	2	#8-32 x 3/4" Phillips Round Head Machine Screw
6	151001	2	#8-32 Pal Nut
7	153002	1	5/16" Lock Washer
8	152004	1	5/16-18 Hex Nut
9	132430	1	Impellor Contactor (208/230/240v, 50/60 Hz) 24 VAC
	132432	1	Impellor Contactor Replacement Coil (208/230/240v, 50/60 Hz) - 24 VAC
10	150103	2	#8-32 x 3/4" Phillips Round Head Machine Screw
11	151001	2	#8-32 Pal Nut
12	120701	1	4-Position Terminal Block
13	150008	2	#6-32 x 1-1/4" Slotted Round Head Machine Screw
14	151000	2	#6-32 Pal Nut
15	121300	3	Open/Close Bushing
---	322809	1	Back Electrical Box Cover ... Not Illustrated
---	150301	4	#8-18 x 7/16" Phillips Pan Head TEK Screw ... Not Illustrated
---	-----	1	Transformer (refer to <b>Step Down Transformer Usage Listing</b> on <b>page 45</b> )

for Gas and Electric Models ONLY



<u>Illus. No.</u>	<u>Part No.</u>	<u>Qty.</u>	<u>Description</u>
1	322809	1	Rear Electrical Box Cover
2	150301	5	#8-18 x 7/16" Phillips Pan Head TEK Screw
3	323738	1	Top Back Guard
4	150301	6	#8-18 x 7/16" Phillips Pan Head TEK Screw
5	150301	8	#8-18 x 7/16" Phillips Pan Head TEK Screw
6	312527	1	Outer Top Guard
7	314526	1	Lower Back Guard
8	150301	10	#8-18 x 7/16" Phillips Pan Head TEK Screw
9	103500	4	Leveling Leg



<u>Illus. No.</u>	<u>Part No.</u>	<u>Qty.</u>	<u>Description</u>
1	314511	1	Bottom Back Guard
2	150300	2	#10 x 1/2" Hex Washer TEK Screw
	150301	8	#8-18 x 7/16" Phillips Pan Head TEK Screw
3	322809	1	Rear Electrical Box Cover
4	150301	4	#8-18 x 7/16" Phillips Pan Head TEK Screw
5	103500	4	Leveling Leg

**NOTE:** Coin Acceptors listed included Optical Switch (ADC Part No. 137056).

### Single Coin\*

ADC Part No.	Nation	Description
125100	U.S. and Canada	25¢ Optic Coin Acceptor
125101	United Kingdom	10 New Pence Optic Coin Acceptor
125114	United Kingdom	20 New Pence Optic Coin Acceptor
125120	France	2 French Franc Optic Coin Acceptor
125124	France	5 French Franc Optic Coin Acceptor
125107	Australia	20¢ Australian Optic Coin Acceptor
125130	Australia	\$1 Australian Optic Coin Acceptor
125123	New Zealand	50¢ New Zealand Optic Coin Acceptor
881604	Japan	100 Yen Hanke Optic Coin Acceptor
125103	---	.882 Token Optic Coin Acceptor
125121	---	.800 Token Optic Coin Acceptor
125129	---	Muller Token Optic Coin Acceptor
125132	Singapore	50¢ Singapore Optic Coin Acceptor
125133	Hong Kong	\$1 Hong Kong Optic Coin Acceptor

### Dual Coin\*

881508	U.S. and Canada	10¢ / 25¢ Hanke Dual Optic Coin Acceptor
881842	Canada	25¢ / \$1 Hanke Dual Optic Coin Acceptor
881542	United Kingdom	1£ / 20 Pence Hanke Dual Optic Coin Acceptor
881846	France	2 / 5 Franc Hanke Dual Optic Coin Acceptor
125134	Denmark	1 / 5 Danish Krone Dual Optic Coin Acceptor
125126	Netherlands	25¢ / 1 Guilder Dual Optic Coin Acceptor

\* Consult factory for coin acceptors not listed.

<b>TRANSFORMER USAGE LISTING</b> (for Electric Models Only)					
<b>Kw</b>	<b>Voltage</b>	<b>Phase</b>	<b>Wire</b>	<b>Transformer Part No.</b>	
				<b>Control</b>	<b>Rear</b>
40	416	3 $\phi$	3 or 4	132070	132062
36	208	3 $\phi$	3	132070	-----
36	208	3 $\phi$	4	132070	-----
36	230	3 $\phi$	3 or 4	132063	-----
36	416	3 $\phi$	3 or 4	132070	132062
36	460/480	3 $\phi$	3 or 4	141403	132053
33	380	3 $\phi$	3 or 4	132070	132059
30	208	3 $\phi$	3 or 4	132063	-----
30	230	3 $\phi$	3	132063	-----
30	416	3 $\phi$	3	141403	132053
30	460/480	3 $\phi$	3 or 4	141403	132053
25	380	3 $\phi$	3 or 4	141403	132059
24	208	3 $\phi$	3 or 4	132070	-----
24	230	3 $\phi$	3	132070	-----
24	416	3 $\phi$	3 or 4	141403	132062
24	460/480	3 $\phi$	3 or 4	141403	132053
20	208	1 $\phi$	2	132070	-----
20	230	1 $\phi$	2	132063	-----
20	380	3 $\phi$	3 or 4	141403	132059

<b>STEP DOWN TRANSFORMER USAGE LISTING</b>			
<b>Heat</b>	<b>Voltage</b>	<b>Wire Service</b>	<b>Transformer Part No.</b>
<b>GAS ELECTRIC STEAM</b>	380	3	132059
	380	4	132059
	416	3	132062
	416	4	132062
	460/480	3	132053
	460/480	4	132053
	575	3	132050

<u>Part No.</u>	<u>Description</u>
112039	“Black/White/Green Ground” Label
112280	“Clean Lint Screen” Label
112041	“CAUTION - Exhaust/Lint Screen” Label
112534	“Phase 5 OPL Program Location Summary” Label
114006	“WARNING - Fire Hazards” Label
114094	“MOP HEAD WARNING” Label
117505	Aluminum Duct Tape (sold by the foot)
120100	3/8” Straight (BX) Connector
120300	3/8” x 45° (BX) Connector
120400	3/8” Red Jacket (BX) Insulator
120500	3/8” Jiffy Clip (BX Retainer Clip)
120600	3/8” Greenfield (BX)
120800	1/4” In-Line Connector
120802	Red Butt Connector
120902	#74B Wire Nut
120903	Crimp-on Wire Nut
121014	1/4” Insulated (female) Terminal
121499	4” Harness Tie
121500	7” Harness Tie
121503	Harness Tie Mounting Clip
122804	Manometer (Hydro Gauge) for measuring Gas Pressure
404500	Almond Brush-In-Cap Bottle Touch-Up Paint
404502	White Brush-In-Cap Bottle Touch-Up Paint
404506	Beige Brush-In-Cap Bottle Touch-Up Paint
404507	Cornflower Blue Brush-In-Cap Bottle Touch-Up Paint
410001	1/2” Allen Wrench (for removal of Shut-Off Valve Tail Piece)
880200	Electrical Terminal (assortment) Kit
880884	Tumbler Bearing Puller



