



# **AD-78 II**

# **Parts Manual**

# **2001-2002**

---

---

**American Dryer Corporation**  
88 Currant Road  
Fall River, MA 02720-4781  
Telephone: (508) 678-9000 / Fax: (508) 678-9447  
E-mail: [techsupport@amdry.com](mailto:techsupport@amdry.com)  
[www.amdry.com](http://www.amdry.com)

ADC Part No. 450576

# Retain This Manual In A Safe Place For Future Reference

American Dryer Corporation products embody advanced concepts in engineering, design, and safety. If this product is properly maintained, it will provide many years of safe, efficient, and trouble-free operation.

*ONLY qualified technicians should service this equipment.*

**OBSERVE ALL SAFETY PRECAUTIONS** displayed on the equipment or specified in the installation manual included with the dryer.

The following “**FOR YOUR SAFETY**” caution **must be** posted near the dryer in a prominent location.

**FOR YOUR SAFETY**

Do not store or use gasoline or other flammable vapors and liquids in the vicinity of this or any other appliance.

**POUR VOTRE SÉCURITÉ**

Ne pas entreposer ni utiliser d'essence ni d'autres vapeurs ou liquides inflammables à proximité de cet appareil ou de tout autre appareil.

We have tried to make this manual as complete as possible and hope you will find it useful. **ADC** reserves the right to make changes from time to time, without notice or obligation, in prices, specifications, colors, and material, and to change or discontinue models.

## Important

For your convenience, log the following information:

**DATE OF PURCHASE** \_\_\_\_\_ **MODEL NO.** AD-78 II \_\_\_\_\_

**RESELLER'S NAME** \_\_\_\_\_

**Serial Number(s)** \_\_\_\_\_

\_\_\_\_\_

\_\_\_\_\_

Replacement parts can be obtained from your reseller or the **ADC** factory. When ordering replacement parts from the factory, you can FAX your order to **ADC** at (508) 678-9447 or telephone your order directly to the **ADC** Parts Department at (508) 678-9000. Please specify the dryer **model number** and **serial number** in addition to the **description** and **part number**, so that your order is processed accurately and promptly.

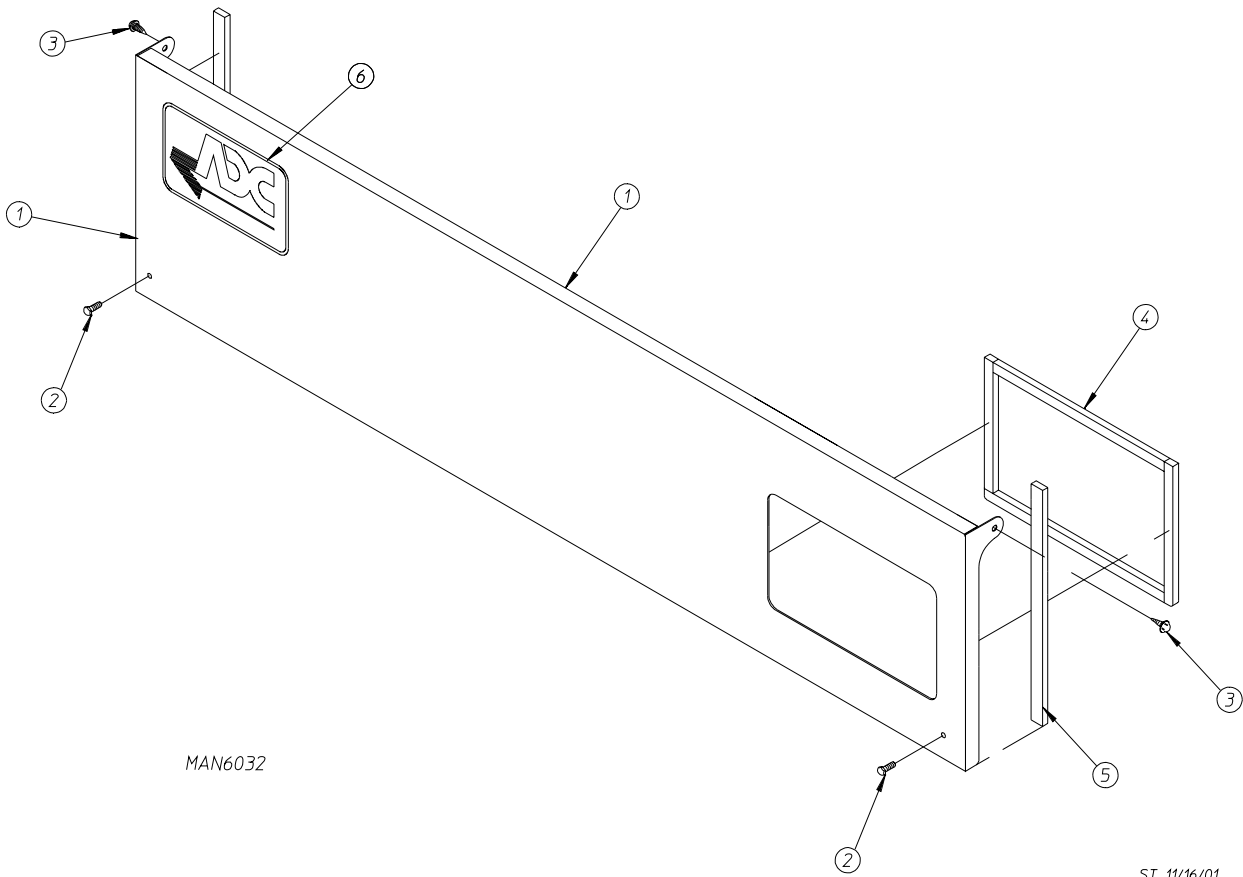
The illustrations on the following pages may not depict your particular dryer exactly. The illustrations are a composite of the various dryer models. Be sure to check the descriptions of the parts thoroughly before ordering.

**“IMPORTANT NOTE TO PURCHASER”**

Information **must be** obtained from your local gas supplier on the instructions to be followed if the user smells gas. These instructions **must be** posted in a prominent location near the dryer.

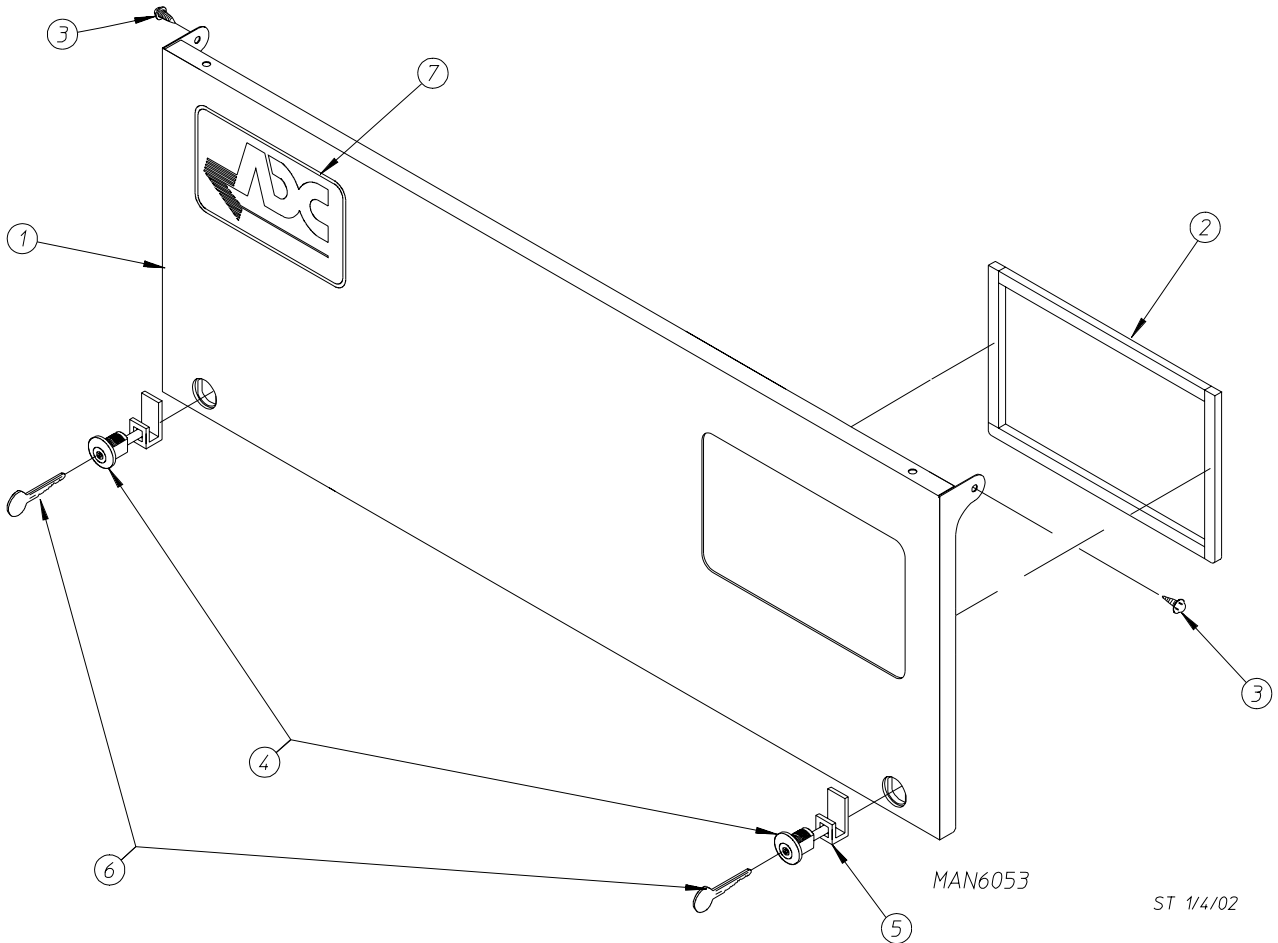
# ***Table of Contents***

OPL Control Door Assembly .....	2
Control Door (Coin Models) .....	3
Phase 5 OPL Microprocessor Control Panel Assembly .....	4
Phase 5 Coin Microprocessor Control Panel Assembly .....	5
Coin Vault Assembly .....	6
Front Panel Assembly .....	7
Main Door Assembly (Round Door) .....	8
Main Door Switch Assembly For Round Main Door .....	9
Sensor Bracket Assembly .....	10
Lint Trap Assembly .....	11
Drop Lint Door Assembly .....	12
Basket (Tumbler) Support Assembly .....	13
Idler Bearing Assembly .....	14
Basket (Tumbler) Bearing Assembly .....	15
Single-Phase (1 $\phi$ ) Motor, Electric Relay Panel Assembly .....	16
3-Phase (3 $\phi$ ) Motor, Non-Reversing Electric Relay Panel Assembly .....	17
3-Phase (3 $\phi$ ) Motor, Reversing Electric Relay Panel Assembly .....	18, 19
Non-Reversing T.E.F.C. Motor Mount Assembly .....	20, 21
Reversing T.E.F.C. Motor Mount Assembly .....	22, 23
Hot Surface Ignition (HSI) Burner Assembly	
CE Export .....	24, 25
Direct Spark Ignition (DSI) Burner Assembly	
For Models Mfd. as of April 11, 2000 .....	26, 27
Sail Switch Assembly .....	28
Back Guard Assemblies .....	29
Microprocessor Coin Acceptors Listing .....	30
Additional Parts Available .....	31



<u>Illus. No.</u>	<u>Part No.</u>	<u>Qty.</u>	<u>Description</u>
1	883244*	1	Control Door Assembly (includes illus. nos. 1, 4, and 5)
2	150134	2	#10-32 x 1/2" TORX Screw
3	150317	2	#10-16 x 3/4" TORX Screw
4	117605	2	1/4" x 3/8" Neoprene Sponge Tape
5	117604	2	1/8" x 3/8" Neoprene Sponge Tape
6	881053	1	<b>ADC</b> Logo with Adhesive Tape

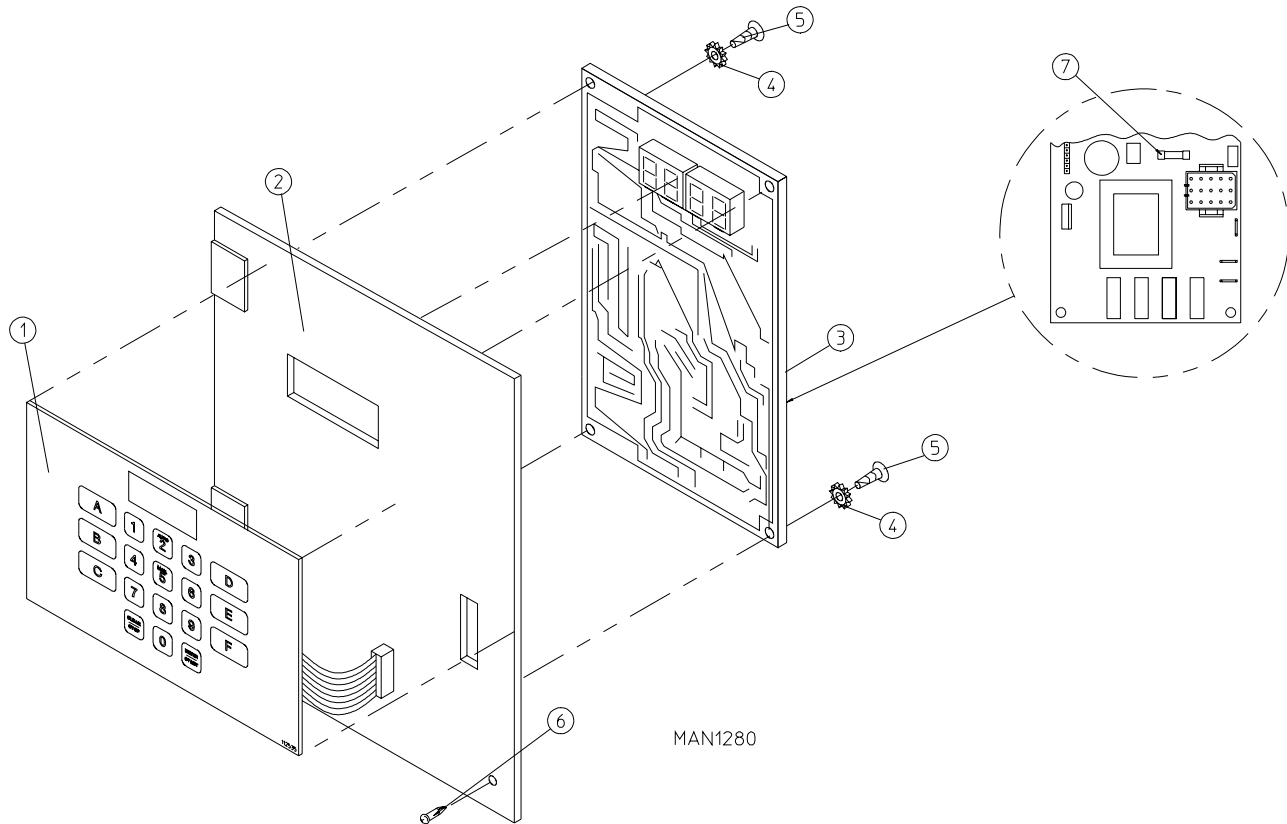
\* Specify color when ordering.



<u>Illus. No.</u>	<u>Part No.</u>	<u>Qty.</u>	<u>Description</u>
1	883243**	1	Control Door without Locks
2	117605	2	1/4" x 3/8" Neoprene Sponge Tape
3	150317	2	#10-16 x 3/4" TORX Screw
4	160015	2	MK-100 Lock ONLY
5	160052	1	1" Cam
6	160104	*	MK-100 Key ONLY
7	881053	1	<b>ADC</b> Logo with Adhesive Tape

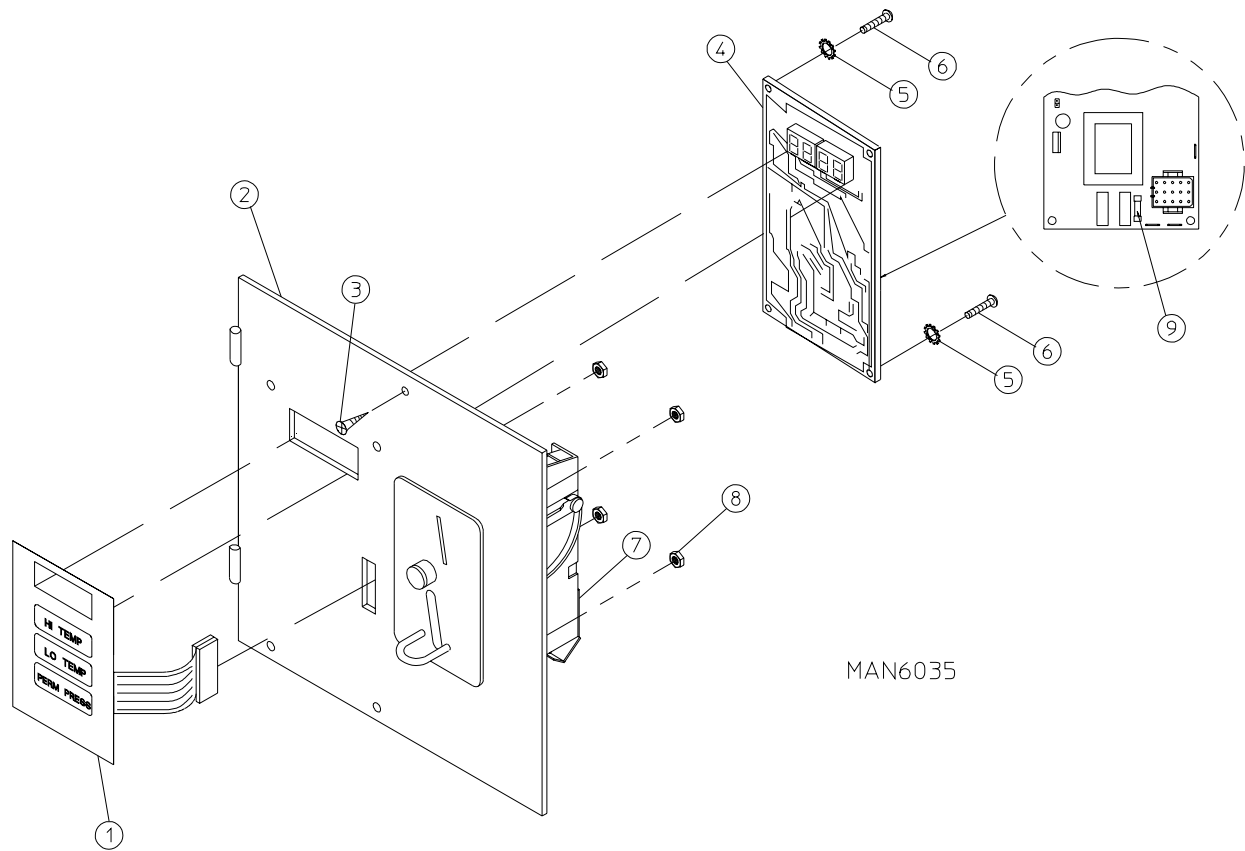
\* As required.

\*\* Specify color when ordering.



<u>Illus. No.</u>	<u>Part No.</u>	<u>Qty.</u>	<u>Description</u>
1	112535	1	OPL English Keyboard (touch pad) Label Assembly
	112276	1	OPL Stick-On Labels (English Only)...Not Illustrated
	112275	1	3-Language OPL Stick-On Labels (Spanish, Italian, and Hebrew)...Not Illustrated
	112277	1	3-Language OPL Stick-On Labels (English, Spanish, and Hebrew)...Not Illustrated
	112278	1	5-Language OPL Stick-On Labels (Italian, Dutch, French, German, and Chinese)...Not Illustrated
	2	801255	1
801256		1	Phase 5 Microprocessor Control Panel ONLY with Battery Bracket
801206		1	Phase 5 OPL Non-Reversing Microprocessor Control Panel Assembly Complete (includes illus. nos. 1 through 6)
801207		1	Phase 5 OPL Reversing Microprocessor Control Panel Assembly Complete (includes illus. nos. 1 through 6)
3	137222	1	Phase 5 OPL Non-Reversing Controller ONLY
	137231	1	Phase 5 OPL Reversing Controller ONLY
	824998	1	Phase 5 Battery Clip
4	153010	2	#6 Star Washer
5	150005	2	#6-32 x 1/4" Phillips Round Head Machine Screw
6	150413	1	#10-16 x 1/2" TORX Head Crimptite Screw
7	136048	1	1/8-Amp (slo blo) Fuse

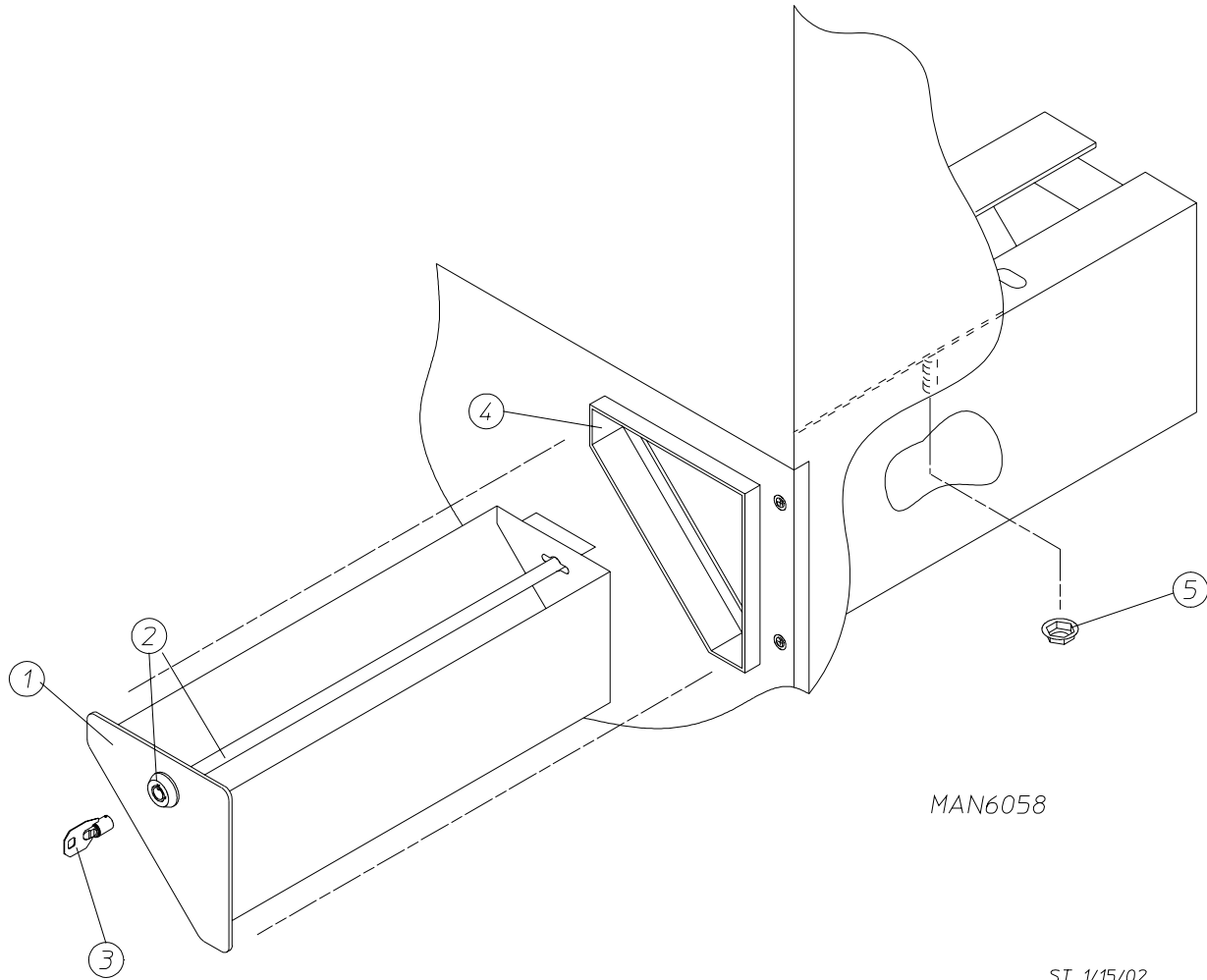
**IMPORTANT:** Check label on computer chip to verify correct part number for controller.



ST 12/14/01

<u>Illus. No.</u>	<u>Part No.</u>	<u>Qty.</u>	<u>Description</u>
1	112526	1	Coin Keyboard (touch pad) Label Assembly
2	883254	1	Phase 5 Coin Control Panel Assembly (includes illus. nos. 1, 2, 4, 5, and 6)
	883253	1	Coin Control Panel ONLY
3	150309	1	#10-16 x 1/2" Hex Head TEK Crimptite Screw
4	137213	1	Phase 5 Coin Controller ONLY
	824998	1	Phase 5 Battery Clip
5	153010	2	#6 Star Washer
6	150005	2	#6-32 x 1/4" Phillips Round Head Machine Screw
7	-----	1	Coin Acceptor (refer to <b>Microprocessor Coin Acceptors Listing</b> on <b>page 30</b> )
8	152102	4	Hex Nut
9	136048	1	1/8-Amp (slo blo) Fuse

**IMPORTANT:** Check label on computer chip to verify correct part number of controller.

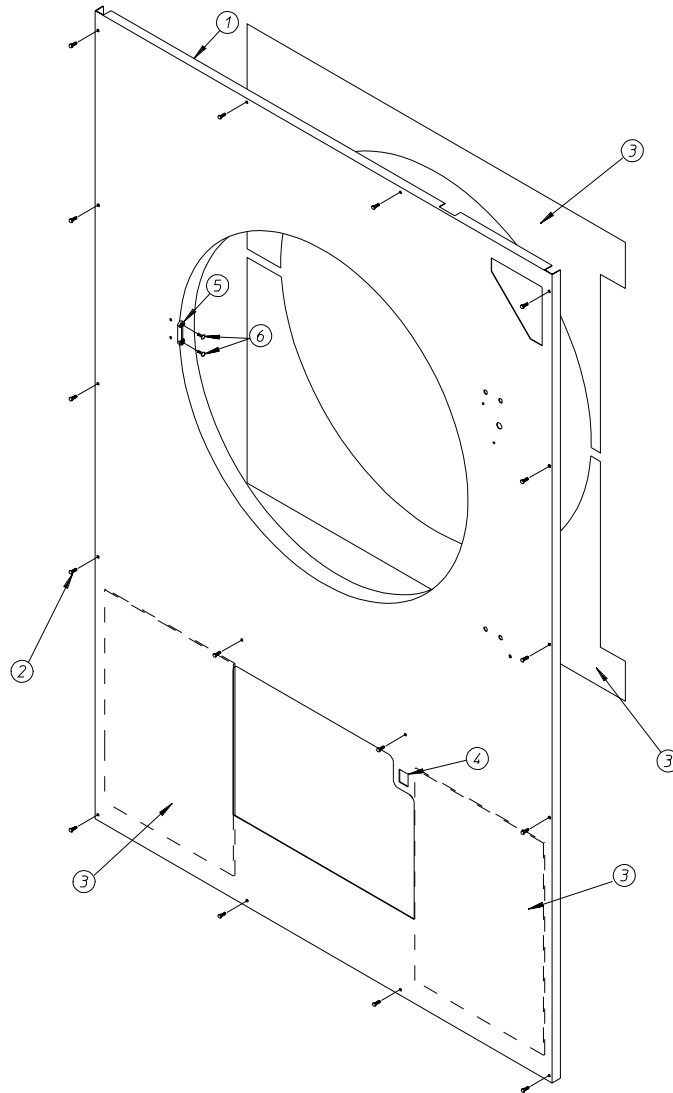


<u>Illus. No.</u>	<u>Part No.</u>	<u>Qty.</u>	<u>Description</u>
1*	880118	1	Coin Box Assembly ONLY Less Lock
2**	160036	1	ACE® Lock Assembly with Key
3**	160136	1	ACE® Key ONLY
4	880117*	1	Coin Vault Assembly ONLY Less Lock (includes illus. nos. 1, 4, and 5)
5	152014	4	1/4-20 Free Spin Wash Nut

\* Specify color when ordering.

\*\* Specify key number when ordering.





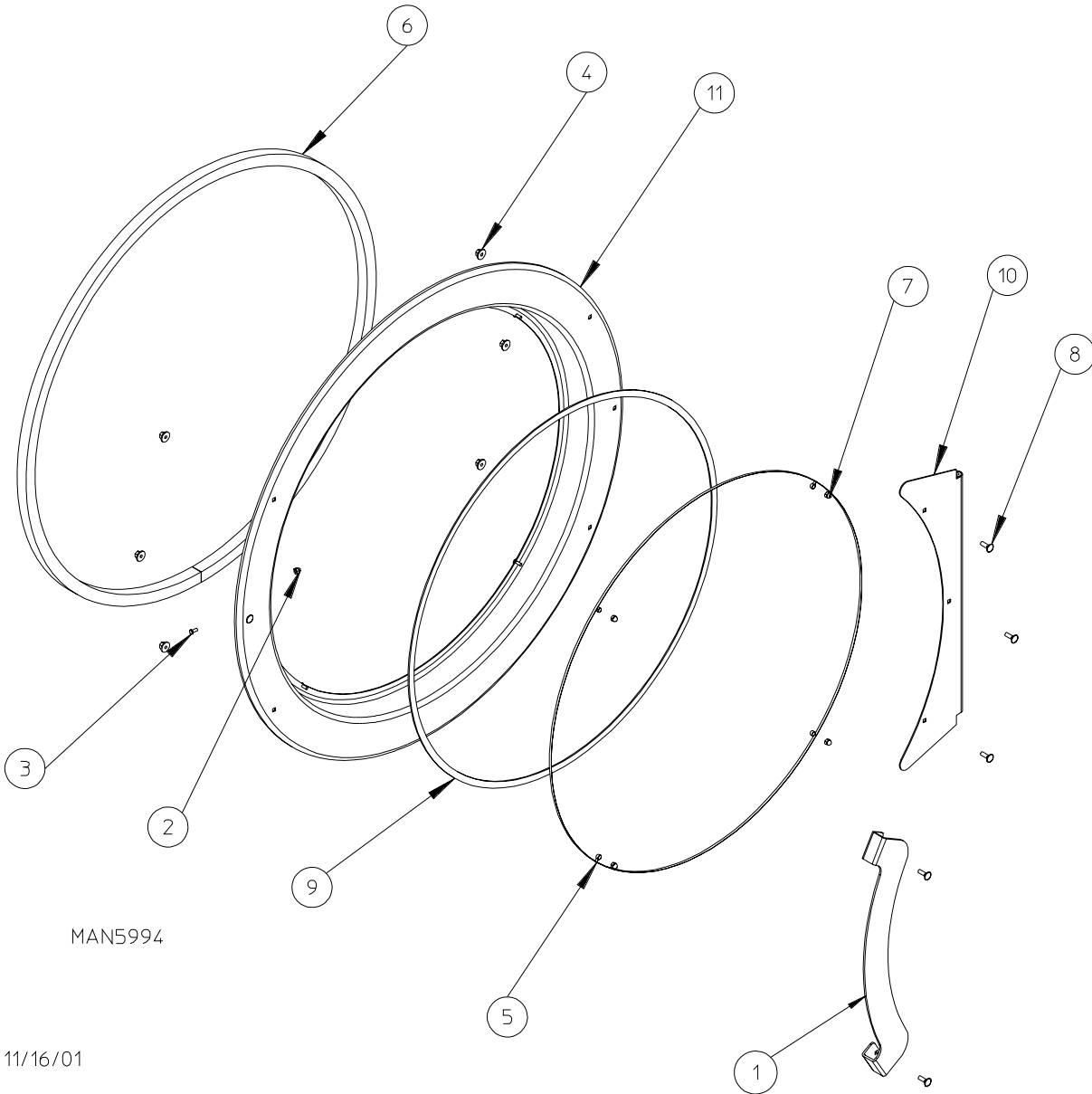
ST 12/11/01

MAN6031

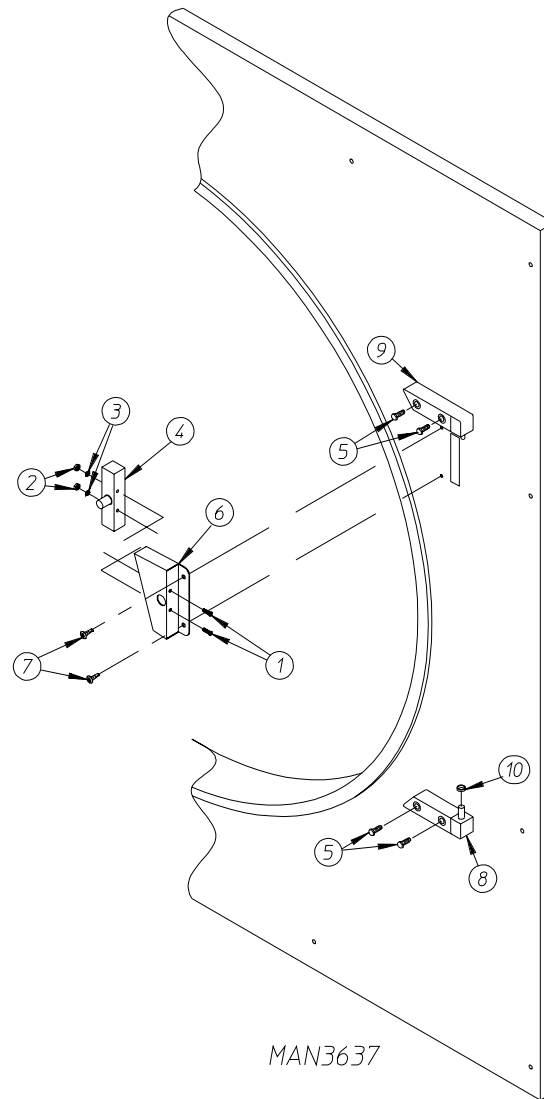
<u>Illus. No.</u>	<u>Part No.</u>	<u>Qty.</u>	<u>Description</u>
1	883246*	1	Right Hand Front Panel Assembly (for OPL models) (includes illus. nos. 1, 3, 5, and 6)
	883245	1	Right Hand Front Panel Assembly (for coin models) (includes illus. nos. 1, 3, 5, and 6)
2	150313	11	#10-16 x 1/2" TORX Plus BTN Type 1
	150318	**	25IP Stick-Fit TORX Plus Bit
3	116147	2	13 x 18-1/2" Rear Lower Wall Insulation
	116320	1	Top Front Panel Insulation
	116321	1	Bottom Front Panel Insulation
4	122002	1	Lint Drawer Switch
5	881987	1	Friction Door Latch Kit (includes illus. nos. 5 and 6)
6	154215	2	5/32" Pop Rivet

\* Specify color when ordering.

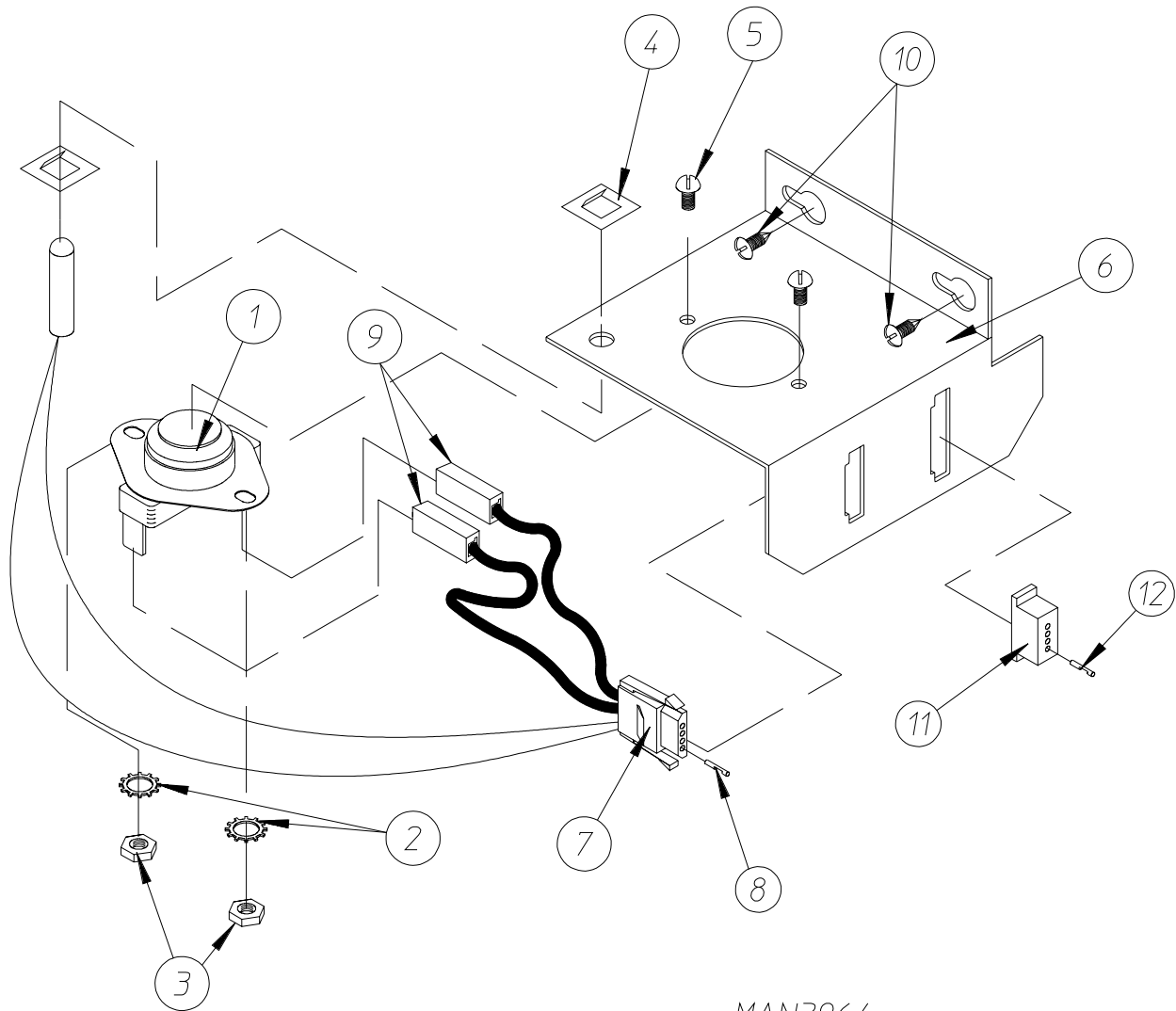
\*\* As needed.



<u>Illus. No.</u>	<u>Part No.</u>	<u>Qty.</u>	<u>Description</u>
--	883249	1	Black Main Door Assembly Complete
1	883252	1	Large Cold Rolled Steel (CRS) Black Main Door Handle
2	151010	1	#10-32 Black Hex Acorn Lock Nut
3	150120	1	#10-32 Door Latch Screw
4	152014	6	1/4-20 Free Spin Wash Nut
5	102214	1	30" Door Glass
6	102357	1	Large Steel Door Gasket
7	151013	4	#10-32 Black Acorn Nut
8	150683	6	1/4-20 x 5/8" Carriage Bolt
9	102361	1	Black Gasket Tape
10	883251	1	Large Black Main Door Hinge
11	883250	1	Large 37-1/4" Black Door Ring ONLY

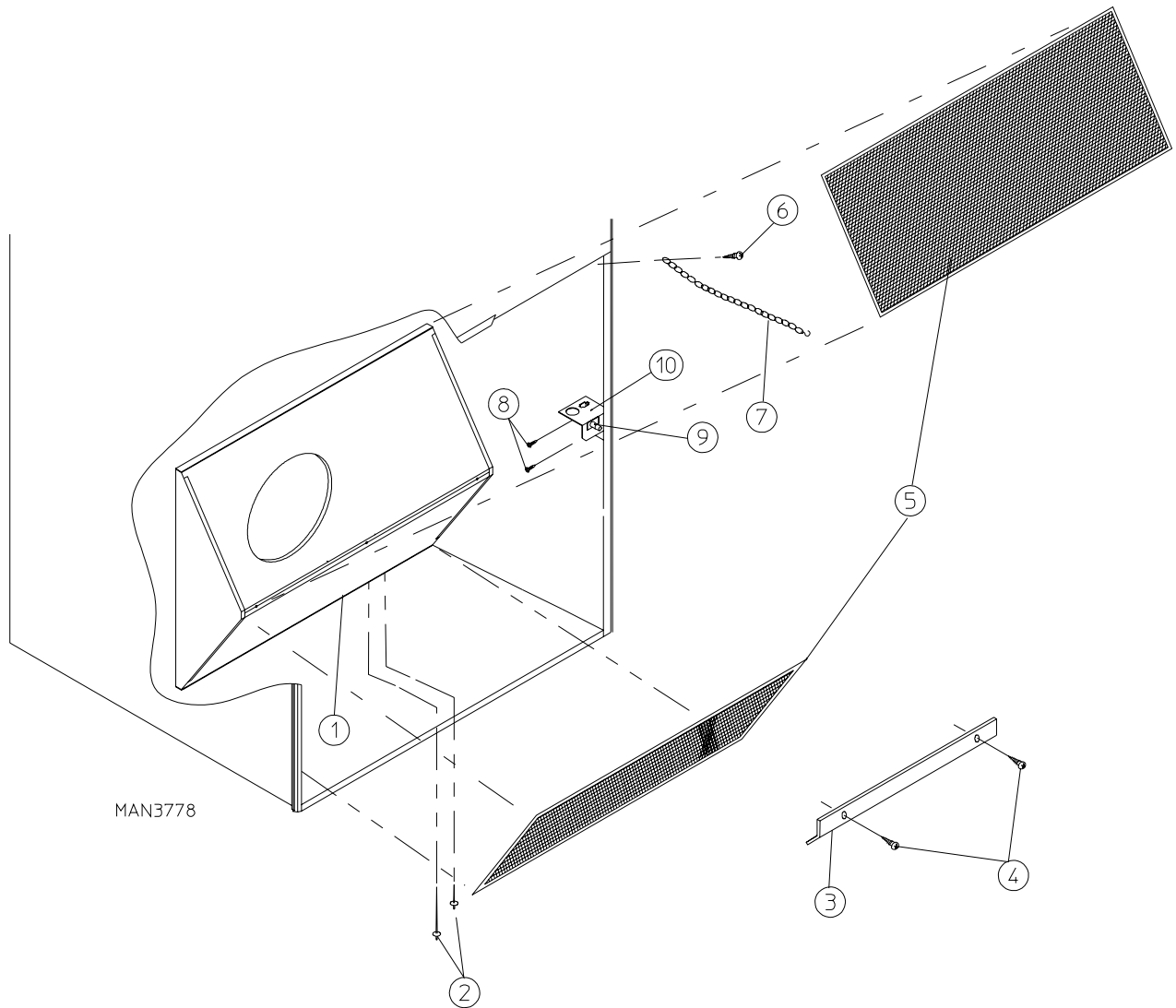


<u>Illus. No.</u>	<u>Part No.</u>	<u>Qty.</u>	<u>Description</u>
1	150006	2	#6-32 x 7/8" Phillips Pan Head Machine Screw
2	152013	2	#6-32 Hex Nut
3	153010	2	#6 Star Washer
4	137005	1	Single-Pole Door Switch (SDS)
5	150443	4	1/4-20 x 3/4" Stainless Steel Cap Screw
6	882866	1	Black Main Door Switch Housing ONLY
	881153	1	Black Main Door Switch with Housing Assembly (includes illus. nos. 1 through 4 and 6)
7	150301	2	#8-18 x 7/16" Phillips Pan Head TEK Screw
8	881151	1	Black Bottom Hinge Block (includes illus. nos. 5 and 8)
9	881152	1	Black Top Hinge Block (includes illus. nos. 5 and 9)
10	153031	1	Nylon Washer



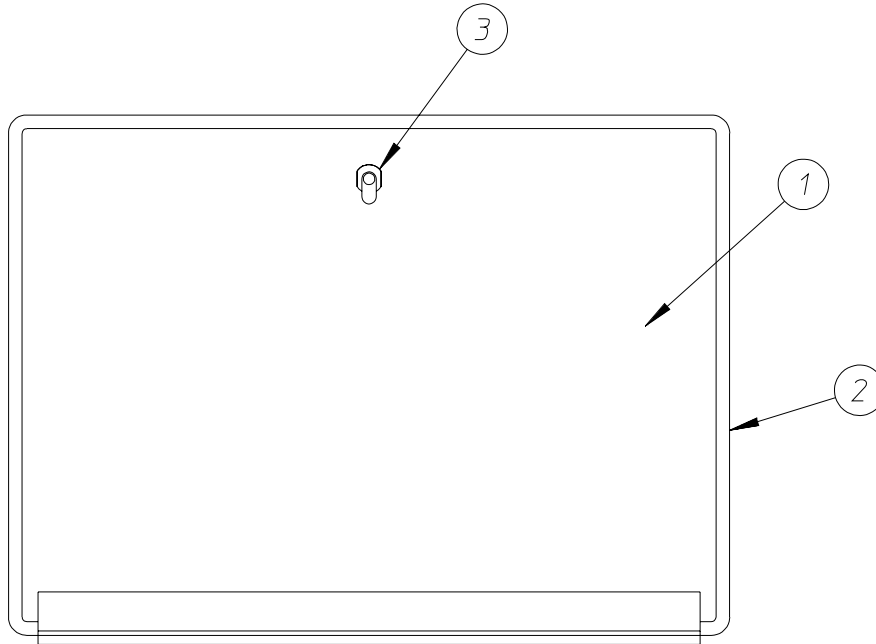
MAN3964

<u>Illus. No.</u>	<u>Part No.</u>	<u>Qty.</u>	<u>Description</u>
1	130103	1	225° F Large Automatic Thermostat ONLY
2	153010	2	#6 Star Washer
3	152000	2	#6-32 Hex Nut
4	154007	2	1/4" Tinnerman Push On Fastener
5	150005	2	#6-32 x 1/4" Phillips Round Head Machine Screw
6	881912	1	Temperature Sensor Bracket Complete (includes illus. nos. 1 through 7)
7	880251	1	1/4" Temperature Sensor Probe Assembly (includes illus. nos. 7 through 9)
	122605	1	4 Pin Socket Connector
8	122701	4	Socket Terminal ONLY
9	121028	2	Insulated Terminal ONLY
10	150301	2	#8-18 x 7/16" Phillips Pan Head TEK Screw
11	122604	1	4 Pin Connector ONLY
12	122700	4	Pin Terminal ONLY
	122801	1	Pin/Socket Extraction Tool (for removal of illus. nos. 8 and 12)



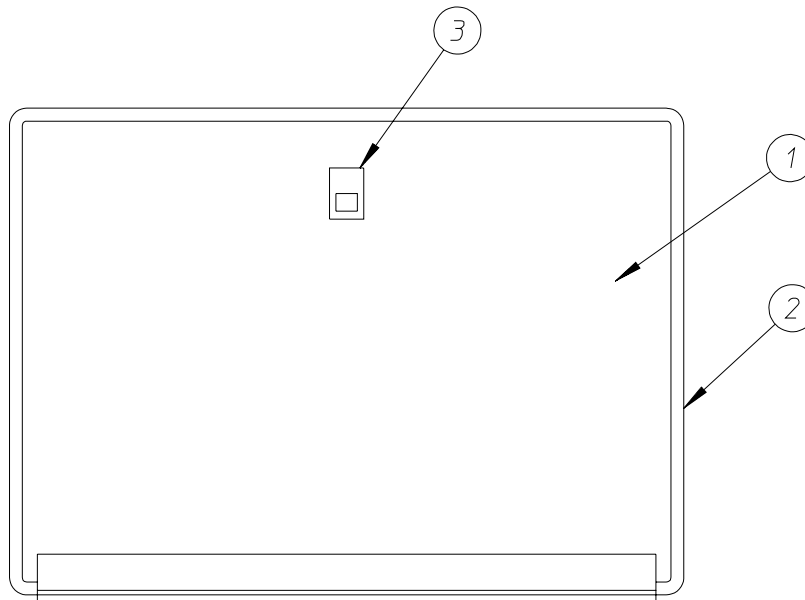
MAN3778

Illus. No.	Part No.	Qty.	Description
1	881904	1	Lint Coupe Assembly Complete (includes illus. nos. 1 and 3 through 5)
	801767	1	Lint Coupe ONLY
2	154200	7	5/32" Pop Rivet
3	304100	1	Lint Screen Hold Down
4	150300	3	#10-16 x 1/2" Hex Washer TEK Screw
5	800500	2	Lint Screen
6	150419	2	#6 x 1/2" Tamperproof TEK Screw
7	108120	1	Chain for Drop Lint Door
	150418	1	Tamperproof Screw Hand Driver
8	150425	2	#12-24 x 3/8" Phillips Round Head Screw
9	122116	1	Lint Drawer Switch ONLY
10	323724	1	Lint Drawer Switch Bracket



ST 12/11/01

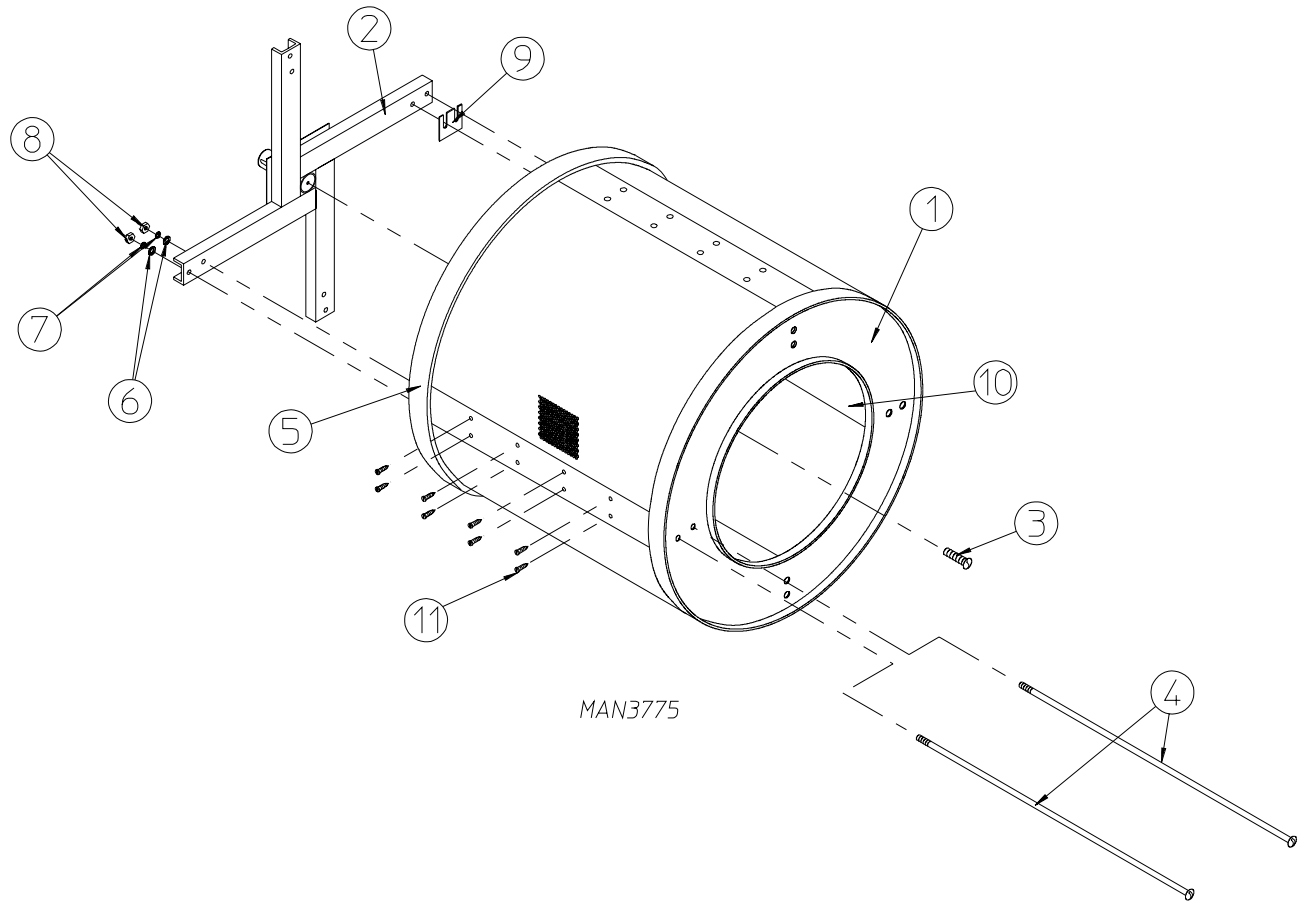
MAN6029



ST 12/11/01

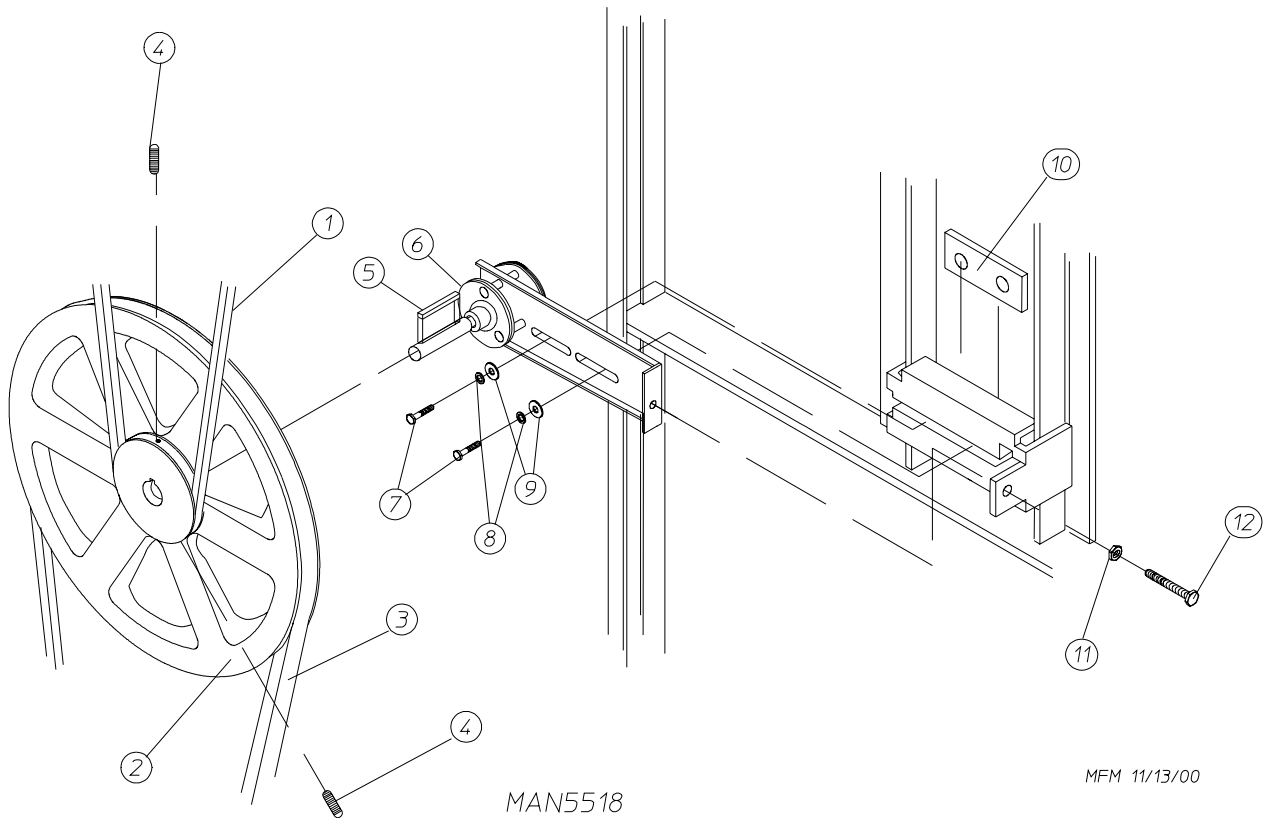
MAN6030

<u>Illus. No.</u>	<u>Part No.</u>	<u>Qty.</u>	<u>Description</u>
1	883248	1	Drop Lint Door (for OPL models)
	883247	1	Drop Lint Door (for coin models)
2	117604	5	1/8" x 3/8" Neoprene Sponge Tape
3	170226	1	Slide Latch (for OPL models)
	160001	1	Lint Door AD-100 Lock (for coin models)
	160103	1	Key ONLY for AD-100 Lock



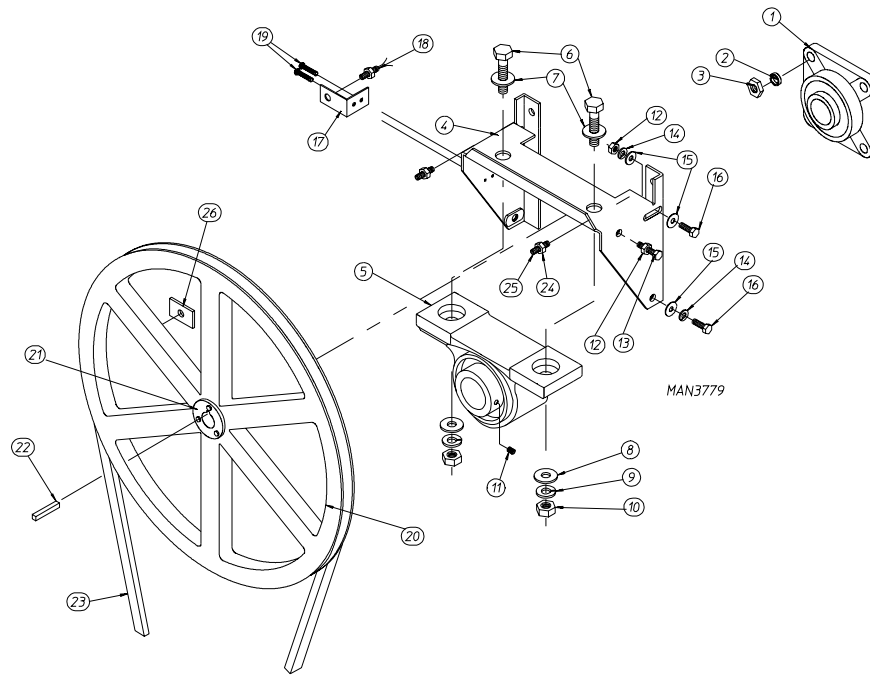
Illus. No.	Part No.	Qty.	Description
1	801751	1	Basket (tumbler) ONLY without Felt Collar
	801773	1	Basket (tumbler) and Support Assembly Complete (includes illus. nos. 1 through 11)
2	801774	1	Basket (tumbler) Support ONLY
3	150500	1	5/16-18 x 3/4" Socket Button Head Screw
4	100912	8	1/2-13 x 25-3/8" Tie Rod
5	116006	1	Felt Collar
	170730	1	Felt Collar Adhesive (10.3 oz.)
6	153011	8	1/2" Flat Washer
7	153026	8	1/2" Lock Washer
8	152011	8	1/2-13 Hex Nut
9	301701	*	Basket (tumbler) Shims
10	314701	4	Basket (tumbler) Ribs
11	150413	32	#10-16 x 1/2" TORX Crimptite Screws

\* As required.

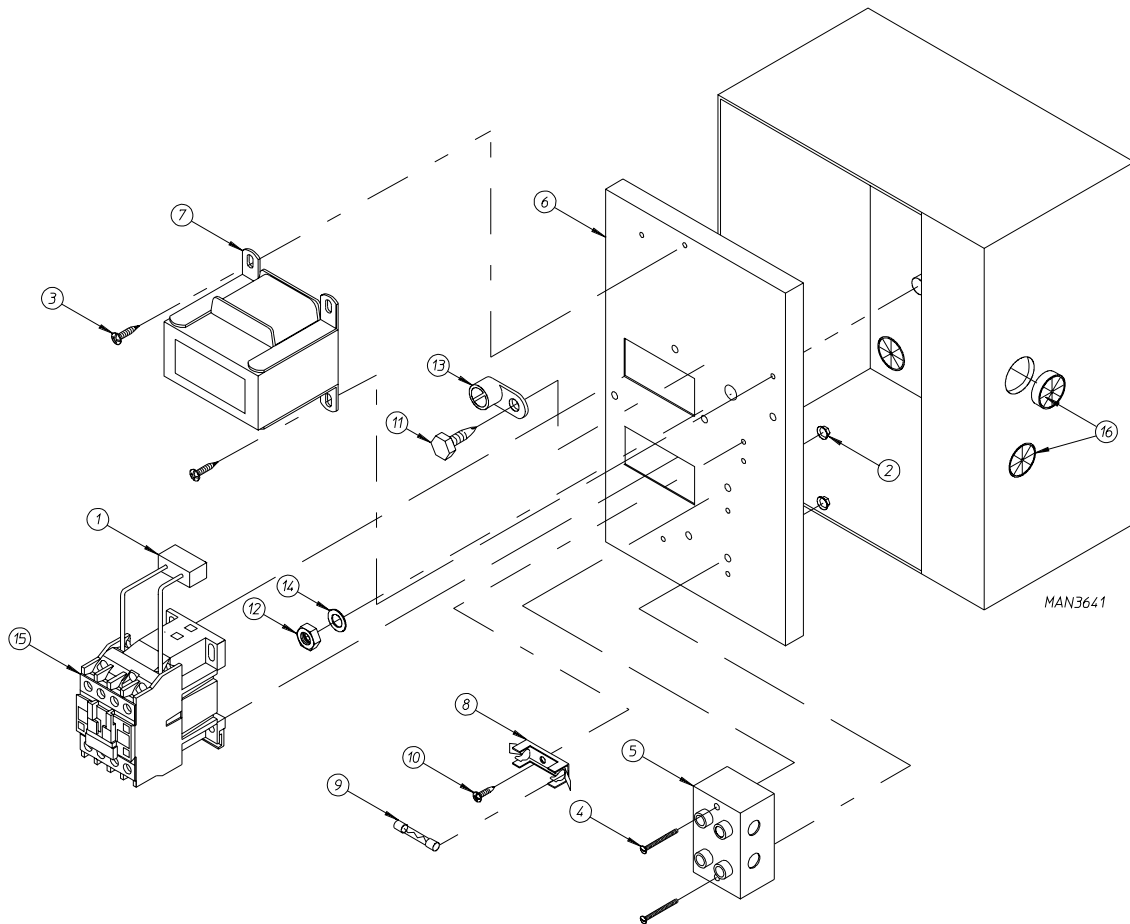


<u>Illus. No.</u>	<u>Part No.</u>	<u>Qty.</u>	<u>Description</u>
1	100185	1	5L-780 V-Belt
2	101140	1	14" x 3" Compound Pulley
3	100178	1	4L-570 V-Belt (idler to motor)
4	154301	2	5/16-18 x 1" Allen Setscrew
5	100705	1	3/16" x 3/16" x 1-3/8" Key
6	883473	1	Idler Bearing Assembly Complete (includes illus. nos. 5 through 12)
7	150617	2	3/8-16 x 1" Hex Head Machine Bolt
8	153005	2	3/8" Lock Washer
9	153004	2	3/8" Flat Washer
10	801009	1	Idler Square Washer
11	152005	1	3/8"-16 Hex Nut
12	150623	1	3/8"-16 x 5" Hex Head Machine Bolt



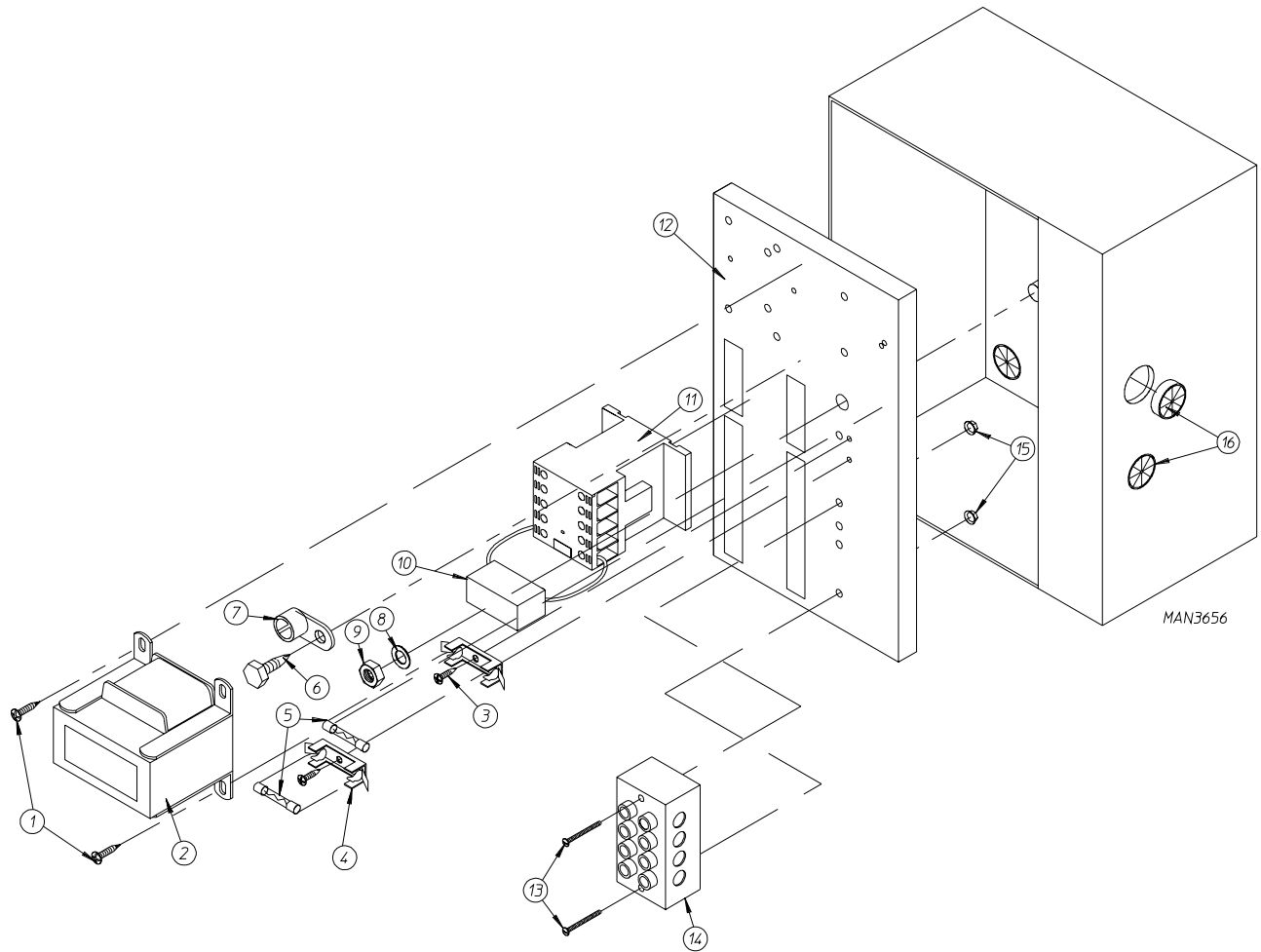


<u>Illus. No.</u>	<u>Part No.</u>	<u>Qty.</u>	<u>Description</u>
1	100244	1	1-15/16" Flange Bearing
2	153025	4	Lock Washer
3	152050	4	Hex Nut
4	801775	1	Pillow Block Bearing Assembly Complete (includes illus. nos. 4 through 13)
	801761	1	Pillow Block Bearing Housing ONLY
5	100245	1	1-15/16" Pillow Block Bearing
6	150633	2	1/2-13 x 2-1/4" Hex Head Bolt
7	153011	2	9/16" Flat Washer
8	153011	2	9/16" Flat Washer
9	153026	2	1/2" Lock Washer
10	152011	2	1/2-13 Hex Nut
11	154322	2	3/8-24 x 7/16 Setscrew
12	152004	2	5/16-18 Hex Nut
13	150621	2	5/16-18 x 1-1/2" Allen Setscrew
14	153002	4	5/16" Lock Washer
15	153001	6	5/16" Flat Washer
16	150621	4	5/16-18 x 3/4" Hex Bolt
17	314746	1	Rotational Sensor Bracket (option)
18	824807	1	Rotational Sensor Assembly (option)
19	150413	2	#10-16 x 1/2" Phillips Hex Head TEK Crimptite
20	101219	1	18" Pulley
	882111	1	18" Pulley with Rotational Sensor Magnet (option)
21	101220	1	1-15/16" Taper Lock Bushing
22	100719	1	1/2" x 1/2" x 1-3/8" Key
23	100185	1	5L-780 V-Belt
24	152004	2	5/16-18 Hex Nut
25	150610	2	5/16-18 x 1-1/2" Allen Setscrew
26	102102	1	Rotational Sensor Magnet (option)
	401010	1	Adhesive for Magnet

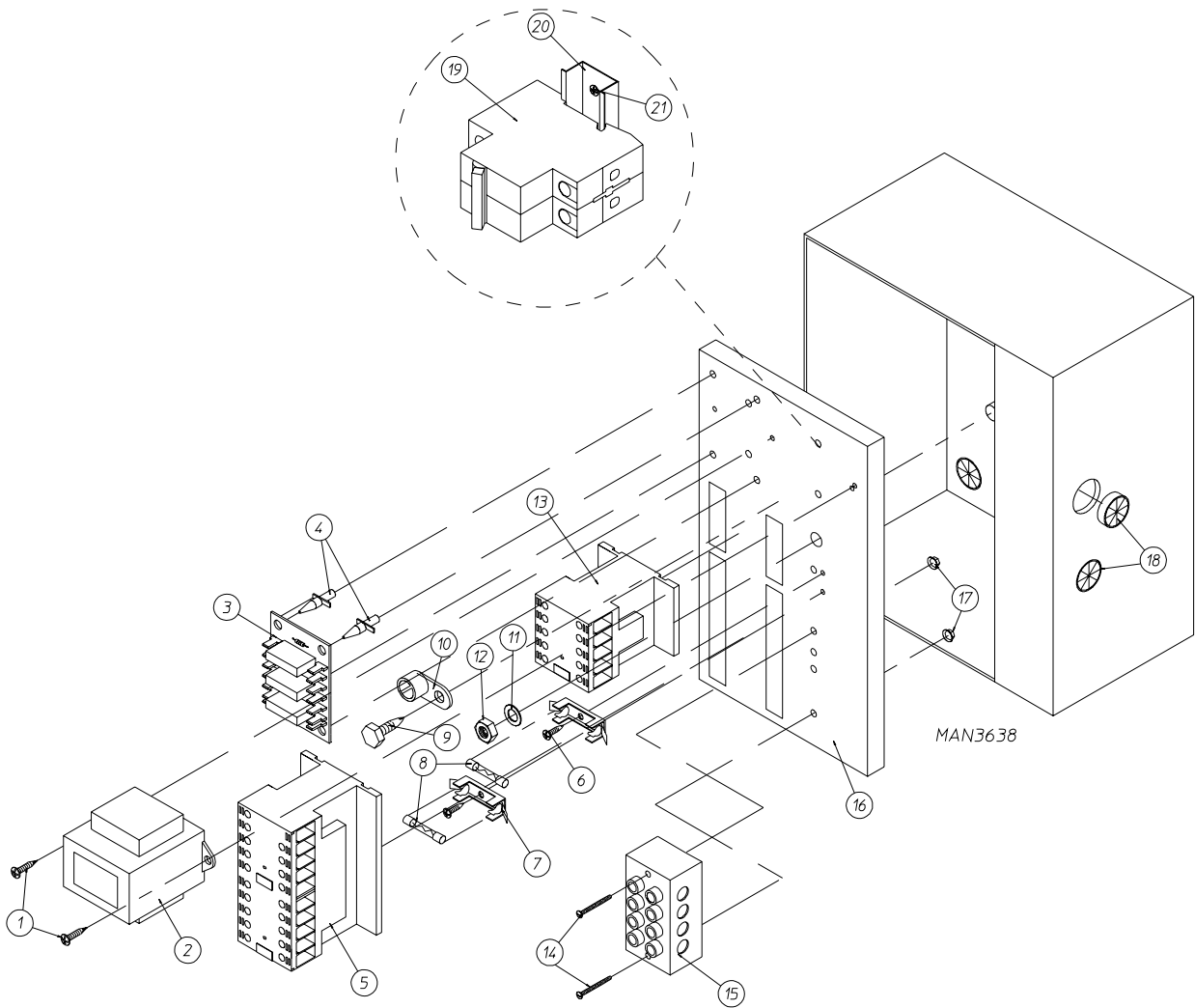


Illus. No.	Part No.	Qty.	Description
1	137015	1	RC Network
2	151000	2	#6-32 Pal Nut
3	150300	2	#10-16 x 1/2" Hex Washer TEK Screw
4	150008	2	#6-32 x 1-1/4" Phillips Round Head Machine Screw
5	120716	1	2-Position Terminal Block
6	306304	1	Electric Relay Panel Mounting Plate ONLY
7	132083	1	Step Down Transformer (for 120/240 volt 1 $\phi$ Only)
	881763	1	Termination Kit
8	136008	*	Fuse Holder ONLY
9	136049	1	3/4-Amp (slo blo) Fuse (for 120 volt models Only)
	136057	2	1/2-Amp (slo blo) Fuse (for 208/240 volt Only)
10	150301	*	#8-18 x 7/16" Phillips Pan Head TEK Screw
11	150297	1	#10 x 1/2" Green Hex Washer TEK Screw
12	152004	1	5/16-18 Hex Nut
13	121010	1	L-70 Ground Lug
14	153002	1	5/16" Lock Washer
15	132445	1	3-Pole Contactor - 24 VAC
16	121300	3	Open/Closed Bushing

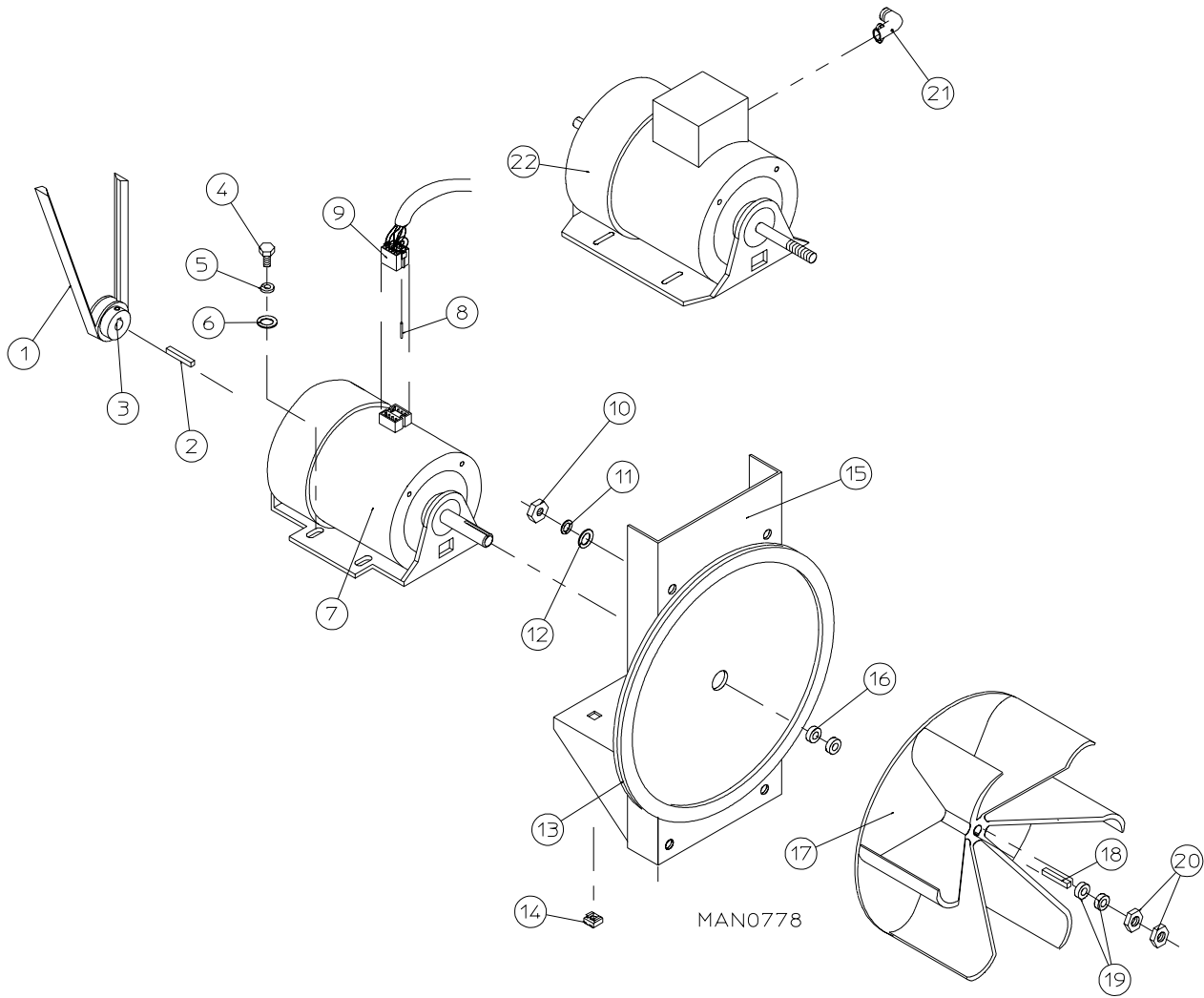
\* As required.



<u>Illus. No.</u>	<u>Part No.</u>	<u>Qty.</u>	<u>Description</u>
1	150300	2	#10-16 x 1/2" Hex Washer TEK Screw
2	132083	1	Step Down Transformer (for 208/240 volts Only)
	881763		Termination Kit
3	150301	2	#8-18 x 7/16" Phillips Pan Head TEK Screw
4	136008	2	Fuse Holder ONLY
5	136057	2	1/2-Amp (slo blo) Fuse
6	150297	1	#10 x 1/2" Green Hex Washer TEK Screw
7	121010	1	L-70 Ground Lug
8	153002	1	5/16" Lock Washer
9	152004	1	5/16-18 Hex Nut
10	137015	1	RC Network
11	132447	1	3-Pole Contactor - 24 VAC
12	322812	1	Electric Relay Panel Mounting Plate ONLY
13	150008	2	#6-32 x 1-1/4" Phillips Round Head Machine Screw
14	120701	1	4-Position Terminal Block
15	151000	2	#6-32 Pal Nut
16	121300	3	Open/Closed Bushing

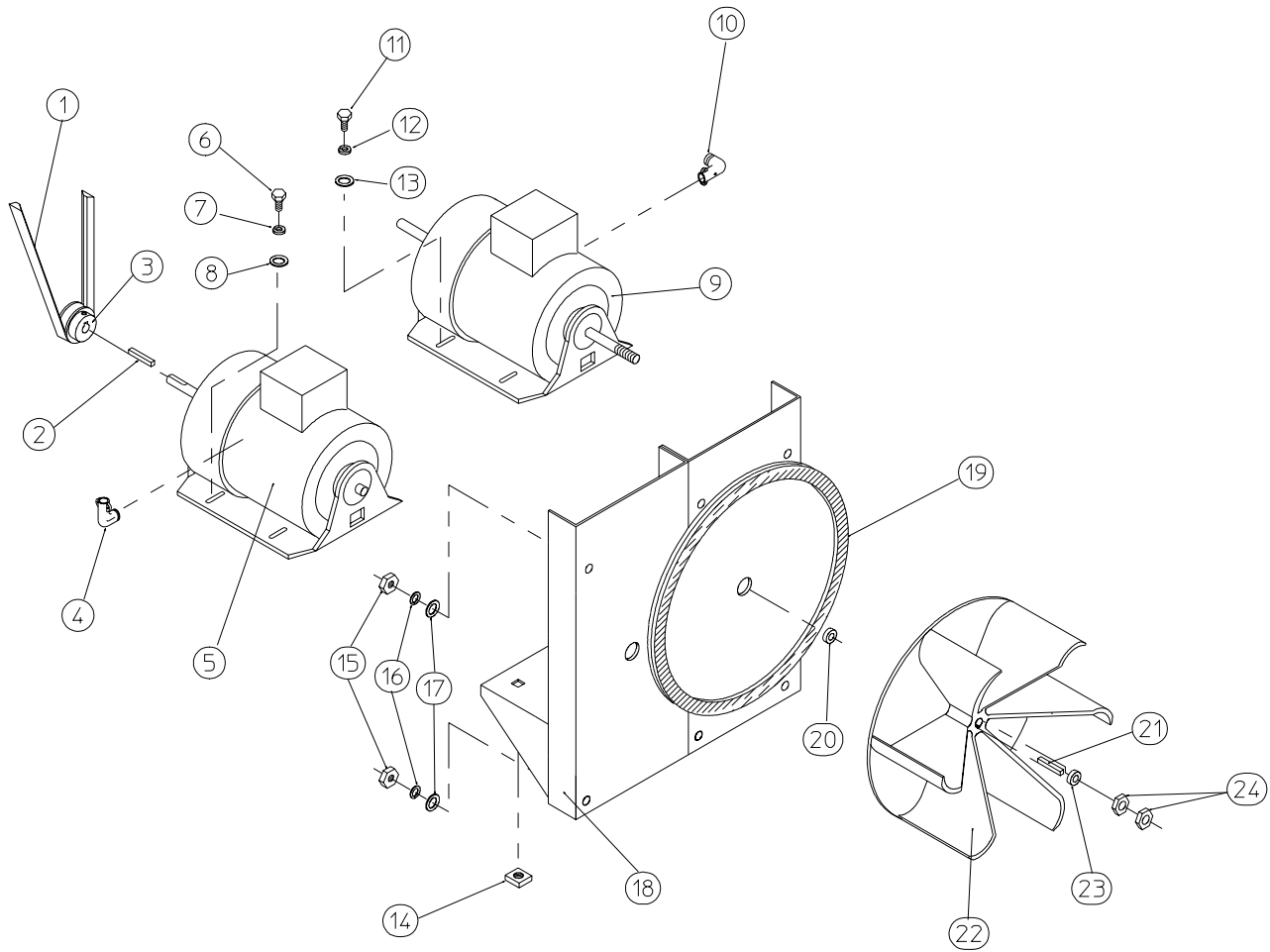


<u>Illus. No.</u>	<u>Part No.</u>	<u>Qty.</u>	<u>Description</u>
1	150300	2	#10-16 x 1/2" Hex Washer TEK Screw
2	132083	1	Step Down Transformer (for 208/230 volts Only)
	881763	1	Termination Kit
3	137060	1	Arc Suppressor (A.S.) Board
4	137013	4	Nylon Standoff
5	132448	1	Reversing Contactor (208/230/240/380/460 volt) 24 VAC
6	150301	2	#8-18 x 7/16" Phillips Pan Head TEK Screw
7	136008	2	Fuse Holder ONLY (for 208-230/240 volt models Only)
8	136057	2	1/2-Amp (slo blo) Fuse (for 208-230/240 volt models Only)
9	150297	1	#10 x 1/2" Green Hex Washer TEK Screw
10	121010	1	L-70 Ground Lug
11	153002	1	5/16" Lock Washer
12	152004	1	5/16-18 Hex Nut
13	132447	1	3-Pole Contactor - 24 VAC
14	150008	2	#6-32 x 1/4" Phillips Round Head Machine Screw
15	120701	1	4-Position Terminal Block
16	322812	1	Electric Relay Panel Mounting Plate ONLY
17	15100	2	#6-32 Pal Nut
18	121300	3	Open/Closed Bushing
19	135501	1	1-Amp Double-Pole Circuit Breaker (for 460/480 volt models Only)
20	120768	2	Din Mounting Rail (sold by the inch) (for 460/480 volt models Only)
21	150300	2	#10-16 x 1/2" Hex Washer TEK Screw (for 460/480 volt models Only)



<u>Illus. No.</u>	<u>Part No.</u>	<u>Qty.</u>	<u>Description</u>
1	100178	1	4L-570 V-Belt (motor to idler)
2	100701	1	3/16" x 3/16" x 1" Key
3	101133	1	5/8" x 2-1/4" Motor Pulley (60 Hz Only)
	101130	1	5/8" x 2-1/2" Motor Pulley (50 Hz Only)
4	150501	4	5/16-18 x 3/4" Hex Head Machine Bolt
5	153002	4	5/16" Lock Washer
6	153001	4	5/16" Flat Washer
7	100073*	1	1 HP 120/208/230v 1Ø 60 Hz Totally Enclosed, Fan-Cooled (T.E.F.C.) Motor with Plug (56Z frame)
	181050	1	1 HP 200/240v 1Ø 50 Hz Motor
8	122701	8	Socket Terminal
	122801	1	Pin/Socket Extraction Tool
9	137030	1	8-Pin Housing Connector
	814764	1	120 Volt - 1Ø Motor Harness
10	152004	4	5/16-18 Hex Nut
11	153002	4	5/16" Lock Washer
12	153001	4	5/16" Flat Washer
13	117600	4	Noise Suppressor Tape (sold by the foot)
14	154000	4	5/16-18 Tinnerman Nut
15	800919	1	Non-Reversing Motor Mount ONLY (56Z frame)
	803992*	1	1 HP 120/230v 1Ø 60 Hz Totally Enclosed, Fan-Cooled (T.E.F.C.) Motor Mount Assembly with Plug Complete (includes illus. nos. 2 through 7 and 13 through 20)
	801824	1	1 HP 200/240v 1Ø 50 Hz Motor Mount Assembly with Plug Complete
	803955*	1	1 HP 230/380/460v 3Ø 60 Hz Non-Reversing Totally Enclosed, Fan-Cooled (T.E.F.C.) Motor Mount Assembly Complete (includes illus. nos. 2 through 6 and 13 through 22)
16	153051	1	3/4" S.A.E. Flat Washer
17	882670	1	16" Fan with 3/4" Bore
18	100714	1	3/16" x 3/16" x 1-7/8" Key
19	153050	2	1/2" S.A.E. Flat Washer
20	152006	2	1/2-20 Left Hand Jam Nut
21	120200	1	3/8" x 90° Connector
	814772	1	3-Phase Motor Harness
22*	100075	1	1 HP 208/230/240/460v 3Ø 50/60 Hz Totally Enclosed, Fan-Cooled (T.E.F.C.) Motor

\* Specify voltage when ordering.



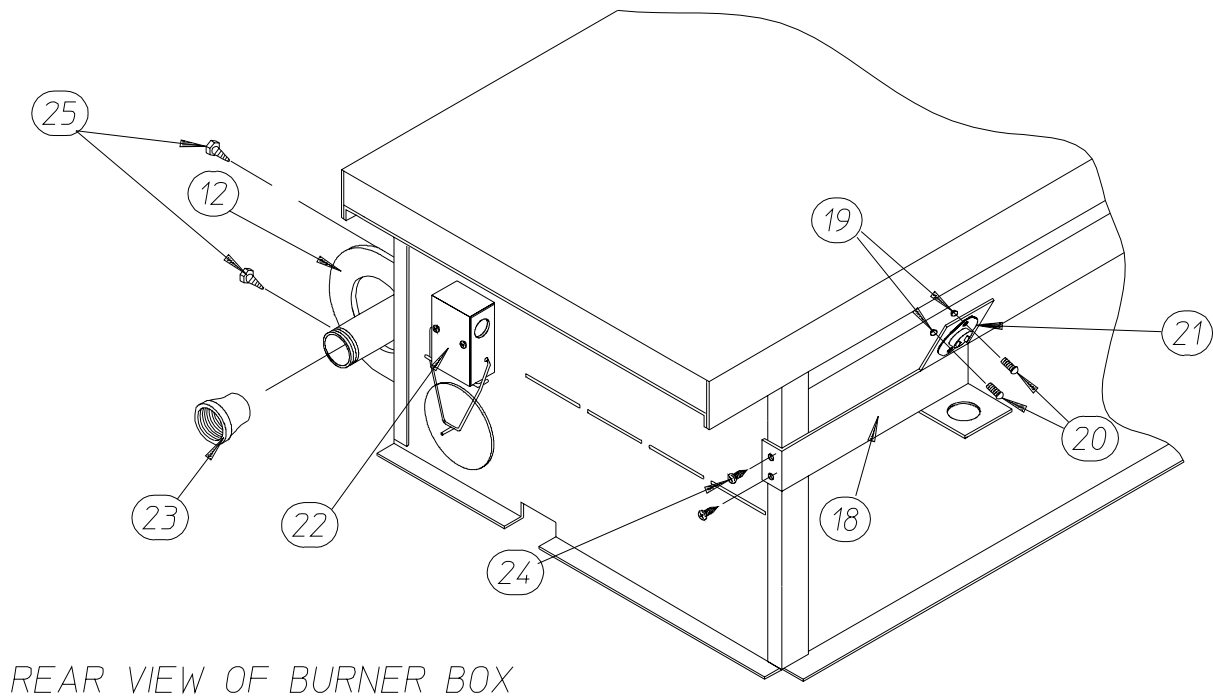
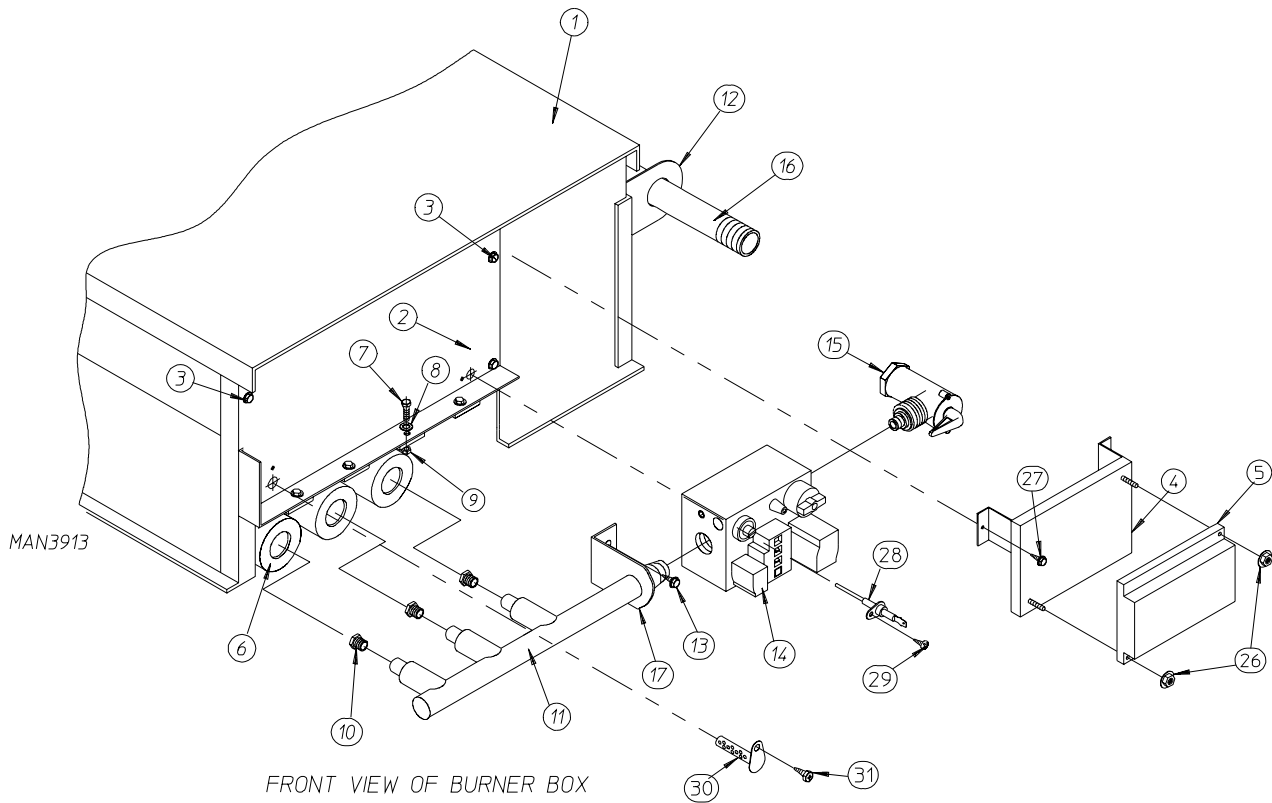
MAN0250



<u>Illus. No.</u>	<u>Part No.</u>	<u>Qty.</u>	<u>Description</u>
1	100112	1	4L-630 V-Belt (motor to idler)
2	100701	1	3/16" x 3/16" x 1" Key
3	101133	1	5/8" x 2-1/4" Motor Pulley (60 Hz Only)
	101130	1	5/8" x 2-1/2" Motor Pulley (50 Hz Only)
4	120200	1	3/8" x 90° Connector
	814780	1	3-Phase Drive Motor Harness
5*	181003	1	1/2 HP 208/230/380/460v 3Ø 50/60 Hz Totally Enclosed, Fan-Cooled (T.E.F.C.) (56Z frame)
6	150501	4	5/16-18 x 3/4" Hex Head Machine Bolt
7	153002	4	5/16" Lock Washer
8	153001	4	5/16" Flat Washer
9*	100075	1	1 HP 220/230/380/460v 3Ø 50/60 Hz Totally Enclosed, Fan-Cooled (T.E.F.C.) Motor with 3/4" Shaft (56Z frame)
10	120200	1	3/8" x 90° Connector
	814779	1	3-Phase Blower (fan/impellor) Motor Harness
11	150501	4	5/16-18 x 3/4" Hex Head Machine Bolt
12	153002	4	5/16" Lock Washer
13	153001	4	5/16" Flat Washer
14	154000	8	5/16" Tinnerman Nut
15	152004	7	5/16" Hex Nut
16	153002	4	5/16" Lock Washer
17	153001	4	5/16" Flat Washer
18	800912	1	Reversing Motor Mount ONLY (56Z frame)
	804029*	1	Reversing Totally Enclosed, Fan-Cooled (T.E.F.C.) Motor Mount Assembly Complete (for 60 Hz models Only) (includes illus. nos. 2 through 14 and 18 through 24)
	804030*	1	Reversing Totally Enclosed, Fan-Cooled (T.E.F.C.) Motor Mount Assembly Complete (for 50 Hz models Only) (includes illus. nos. 2 through 14 and 18 through 24)
19	117600	4	Noise Suppressor Tape (sold by the foot)
20	153050	1	1/2" S.A.E. Flat Washer
21	100702	1	1/8" x 1/8" x 1-1/2" Key
22	882670	1	16" Fan with 3/4" Bore
23	153050	**	1/2" S.A.E. Flat Washer
24	152006	2	1/2-20 Left Hand Jam Nut

\* Specify voltage when ordering.

\*\* As required.

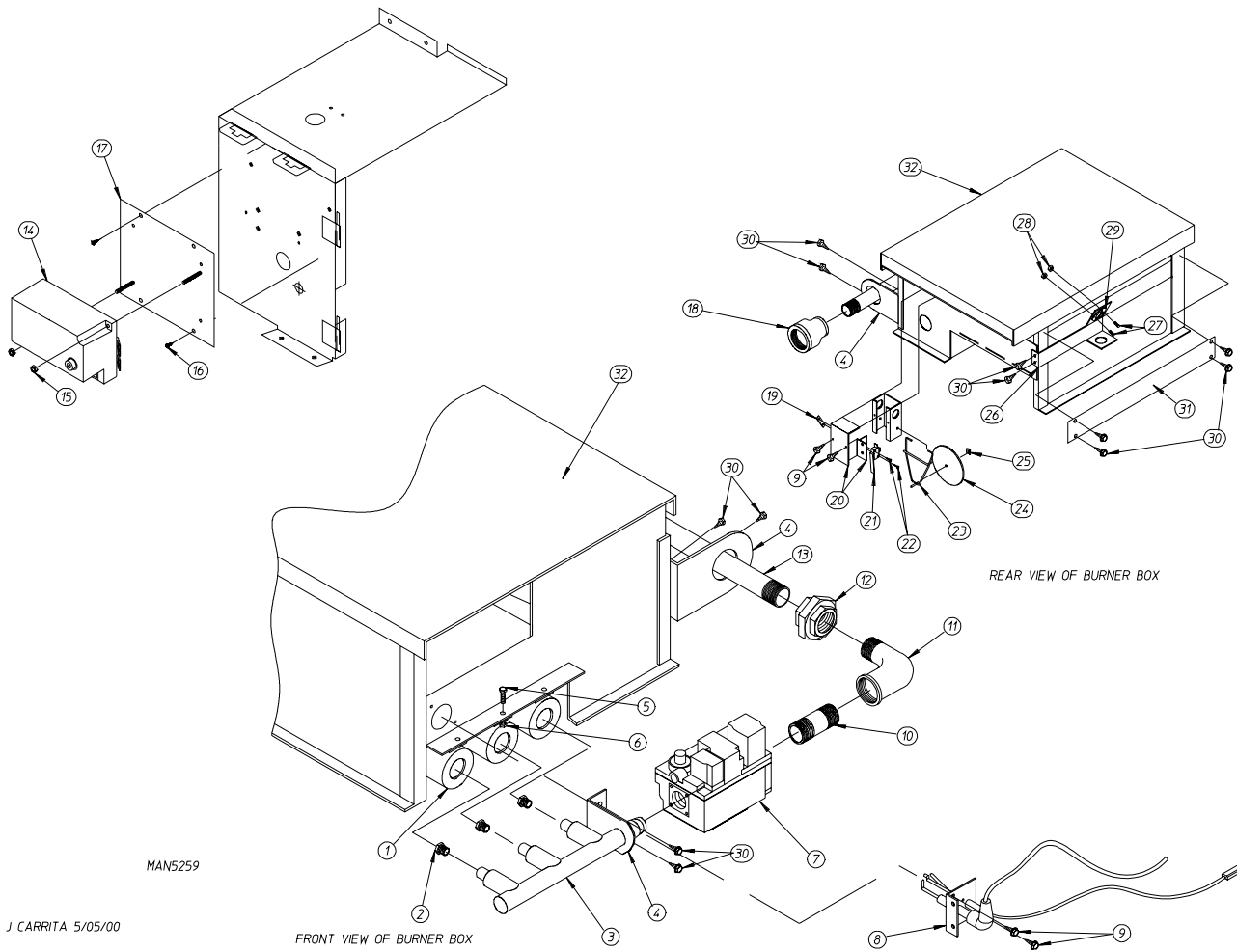


## CE Export

<u>Illus. No.</u>	<u>Part No.</u>	<u>Qty.</u>	<u>Description</u>
1	801788*	1	Natural Gas Burner Assembly Complete Less Orifices (includes illus. nos. 1 through 9 and 11 through 29) For Models Mfd. with Natural Gas ONLY
	883340*	1	Liquid Propane (L.P.) Gas Burner Assembly Complete Less Orifices (includes illus. nos. 1 through 9 and 11 through 29) For Models Mfd. with Liquid Propane (L.P.) Gas ONLY
	801768	1	Burner Box ONLY (for natural gas models only)
	801771	1	Burner Box ONLY (for liquid propane models only)
	881655**	1	Burner Liquid Propane (L.P.) Conversion Kit
2	353260	1	Burner Box Front ONLY
3	150413	5	#10-16 x 1/2" Hex Head TEK Crimptite Screw
4	810029	1	Hot Surface Ignition (HSI) Module Mounting Bracket
5	128975	1	Hot Surface Ignition (HSI) Module II
6	141105	3	Large Burner Tube
7	150103	3	#8-32 x 1/2" Phillips Round Head Machine Screw
8	153000	3	#8 Steel Burr
9	151001	3	#8-32 Pal Nut
10**	140828	3	#20 Burner Orifice (natural gas) ONLY
	140810	3	#42 Burner Orifice (liquid propane [L.P.] gas) ONLY
11	141232	1	3-Port Manifold
12	318700	2	Pipe Bracket
13	150300	2	#10-16 x 1/2" Hex Washer TEK Screw
14	128933	1	1/2" 24 VAC CE Redundant (natural gas) Gas Valve
	883255	1	1/2" 24 VAC CE (liquid propane [L.P.] gas) Gas Valve Assembly
15	881367	1	1/2" Union Shut Off with Tail Piece
16	142809	1	1/2" x 29-1/8" Nipple
17	323737	1	Pipe Bracket
18	319704	1	Hi-Limit Mounting Bracket
19	151000	2	#6-32 Pal Nut
20	150001	2	#6-32 x 1/2" Phillips Round Head Machine Screw
21	130401	1	330° F Hi-Limit ONLY
22	-----	1	Sail Switch (refer to <b>Sail Switch Assembly</b> on <b>page 28</b> )
23	143000	1	3/4" to 1/2" Reducing Coupling
24	150413	2	#10-16 x 1/2" Hex Head TEK Crimptite Screw
25	150413	2	#10-16 x 1/2" Hex Head TEK Crimptite Screw
26	151001	2	#8-32 Pal Nut
27	150413	3	#10-16 x 1/2" Hex Head TEK Crimptite Screw
28	128921	1	Hot Surface Ignition (HSI) Flame Sensor
29	150301	1	#8-18 x 7/16" Phillips Pan Head TEK Screw
30	881597	1	Hot Surface Ignitor (2-1/2" length) - 24 VAC
31	150413	1	#10-16 x 1/2" Hex Head TEK Crimptite Screw

\* Burner orifices *are not included* and **must be** ordered separately.

\*\* Consult factory for elevations over 2,000 feet.

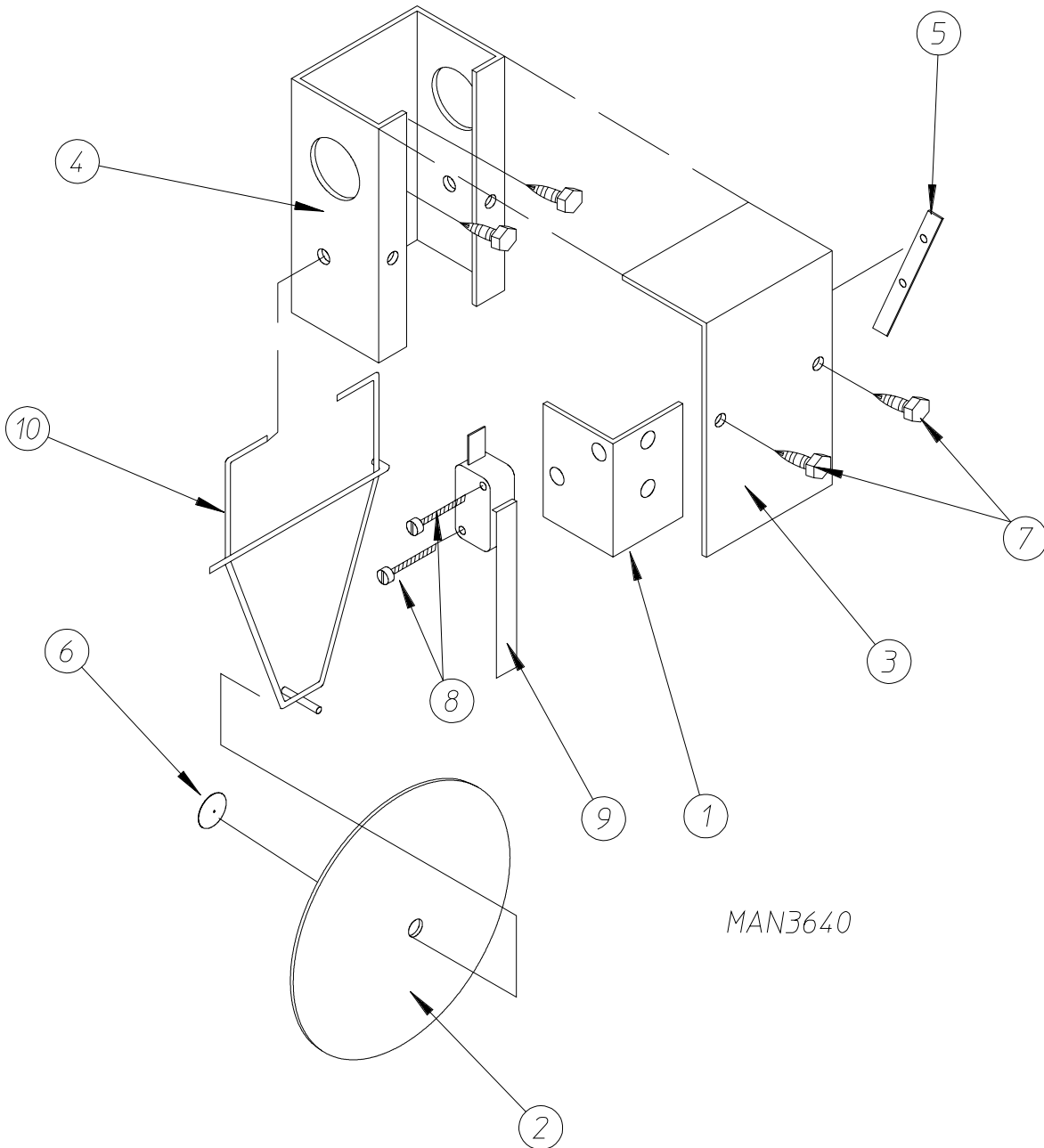


---

 For Models Mfd. as of April 11, 2000

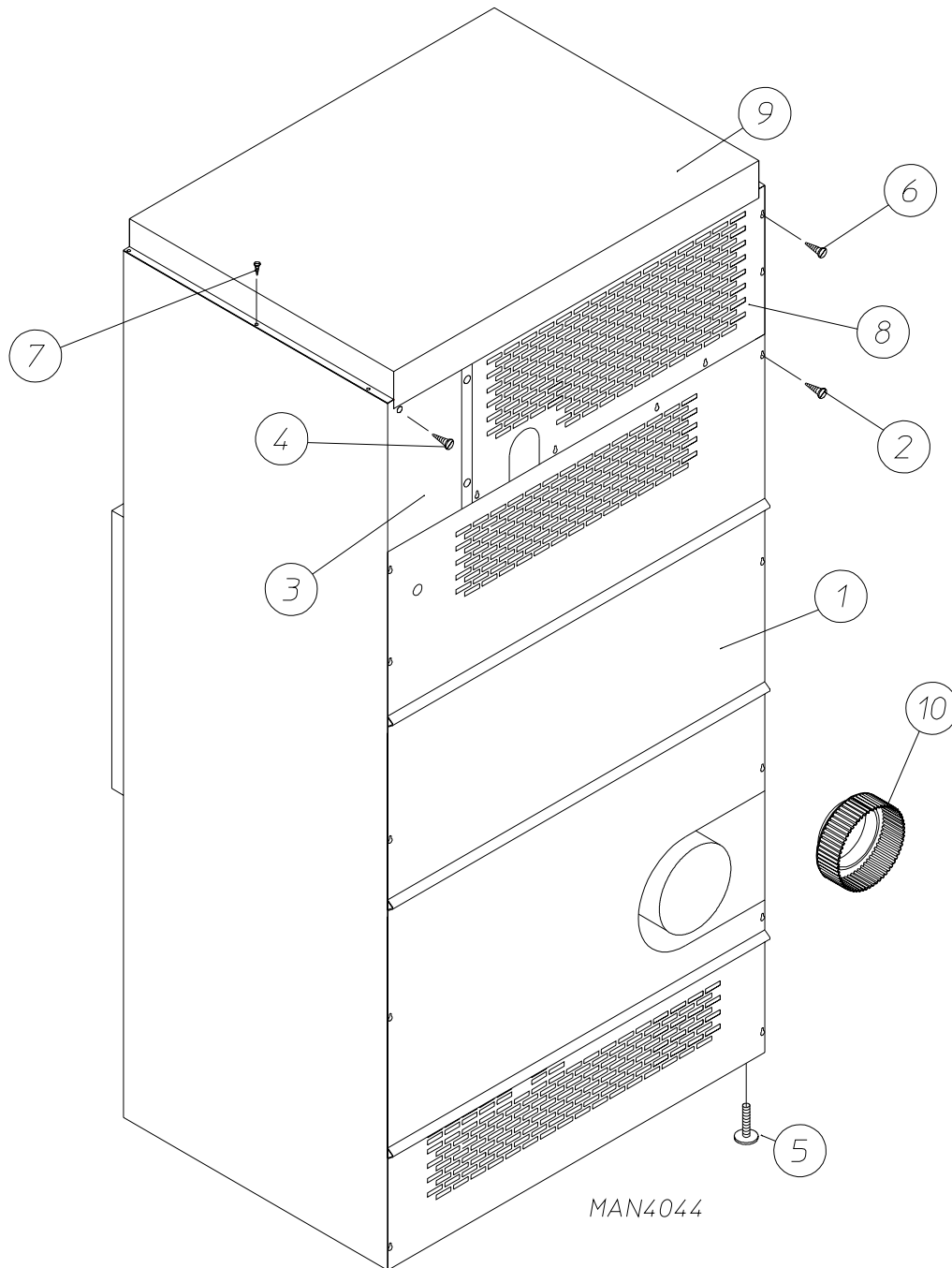
<u>Illus. No.</u>	<u>Part No.</u>	<u>Qty.</u>	<u>Description</u>
1	141105	3	Large Gas "T" Burner
2*	140856	3	#23 Burner Orifice (natural gas) ONLY
	140810	3	#42 Burner Orifice (liquid propane [L.P.] gas) ONLY
3	141232	1	1/2" Manifold (3-port)
4	318700	3	Pipe Bracket (bent)
5	150108	3	#8-32 x 1/2" Pan Head Machine Screw
6	151001	3	#8-32 Pal Nut
7	128927	1	1/2" 24 VAC Redundant (natural gas) Gas Valve
	880960	1	1/2" 24 VAC (liquid propane [L.P.] gas) Gas Valve Assembly
8	809309	1	Ignitor Probe Assembly
9	150300	8	#10 x 1/2" Hex Washer TEK Screw
10	142707	1	1" x 1-1/2" Nipple
11	142506	1	1/2" x 1/2" Street Elbow
12	142600	1	1/2" Black Union
13	142804	1	1/2" x 24" Pipe
14	128935	1	Direct Spark Ignition (DSI) Module with Three (3) Tries
15	152013	2	#6-32 Hex Nut
16	150301	2	#8-18 x 7/16 Phillips Pan Head TEK Screw
17	801708	1	Direct Spark Ignition (DSI) Module Mounting Plate Assembly
18	143000	1	1/2" x 3/4" Reducing Coupling
19	154004	1	Twin Speed Nut
20	802799	1	Sail Switch Top and Switch Bracket (Refer to <b>Sail Switch Assembly</b> on <b>page 28</b> )
21	122200	1	Sail Switch
22	150303	2	#4 x 3/4" Pan Head "A" Machine Screw
23	105500	1	Sail Switch Actuator Rod
24	319202	1	Sail Switch Damper (flat)
25	154002	1	1/8" Push On Fastener
26	319704	1	Hi-Limit Mounting Bracket
27	150001	2	#6-32 x 1/2" Phillips Round Head Machine Screw
28	151000	2	#6-32 Pal Nut
29	130201	1	330° Hi-Limit Manual Reset
30	150309	11	#10-16 x 1/2" Hex Head TEK Crimptite Screw
31	314762	1	Liquid Propane (L.P.) Cover Plate (for liquid propane [L.P.] dryer Only)
32	801704	1	Natural Gas Burner Assembly Complete (includes illus. nos. 1 through 13 and 18 through 30)
	801705	1	Liquid Propane (L.P.) Gas Burner Assembly Complete (includes illus. nos. 1 through 13 and 18 through 31)
	801703	1	Burner Box ONLY
33	881655	1*	Liquid Propane (L.P.) Conversion Kit...Not Illustrated

\* Consult factory for elevations over 2,000 feet.



MAN3640

<u>Illus. No.</u>	<u>Part No.</u>	<u>Qty.</u>	<u>Description</u>
1	319203	1	Sail Switch Mounting Bracket
2	319202	1	Sail Switch Damper (flat)
3	319201	1	Sail Switch Box Cover
4	319200	1	Sail Switch Box
5	154004	1	Twin Speed Nut
6	154002	1	1/8" Push On Fastener
7	150300	4	#10-16 x 1/2" Phillips Hex Head TEK Crimptite Screw
8	150303	2	#4 x 3/4" Pan Head "A" Machine Screw
9	122200	1	Sail Switch ONLY
	881706	1	Sail Switch Box Assembly Complete (includes illus. nos. 1 through 10)
10	105500	1	Sail Switch Actuator Rod



<u>Illus. No.</u>	<u>Part No.</u>	<u>Qty.</u>	<u>Description</u>
1	314501	1	Bottom Back Guard
2	150301	12	#8-18 x 7/16" Phillips Pan Head TEK Screw
3	322809	1	Rear Electrical Box Cover
4	150301	4	#8-18 x 7/16" Phillips Pan Head TEK Screw
5	103500	4	Leveling Leg
6	150301	7	#8-18 x 7/16" Phillips Pan Head TEK Screw
7	150301	12	#8-18 x 7/16" Phillips Pan Head TEK Screw
8	314738	1	Top Back Guard
9	314737	1	Outer Top
10	882099	1	8" to 10" Increaser

## Single Coin\*

<u>ADC Part No.</u>	<u>Nation</u>	<u>Description</u>
883240	United States, Canada, and Japan	Hanke Programmable Coin Acceptor
883239	Euro and UK	Hanke Programmable Coin Acceptor
881163	United States	Hanke 25¢ Non-Programmable Coin Acceptor

\*Consult factory for coin acceptors not listed.



---

<u>Part No.</u>	<u>Description</u>
112039	“Black/White/Green Ground” Label
112280	“Lint Compartment” Label
112041	“CAUTION - Exhausted” Label
112534	“Phase 5 OPL Program Location Summary” Label
114006	“WARNING - Fire Hazards” Label
120800	1/4” In-Line Connector
120802	Red Butt Connector
120902	#74B Wire Nut
120903	Crimp-On Wire Nut
121499	5-1/2” Harness Tie
121500	8” Harness Tie
122804	Manometer (hydro gauge) for Measuring Gas Pressure
404502	White Brush-In-Cap Bottle Touch-Up Paint
880884	Basket (tumbler) Bearing Puller

