



AD-81 Parts Manual

Phase 7 OPL

with S.A.F.E. Option

American Dryer Corporation
88 Currant Road
Fall River, MA 02720-4781
Telephone: (508) 678-9000 / Fax: (508) 678-9447
E-mail: techsupport@amdry.com
www.amdry.com

Retain This Manual In A Safe Place For Future Reference

American Dryer Corporation products embody advanced concepts in engineering, design, and safety. If this product is properly maintained, it will provide many years of safe, efficient, and trouble free operation.

ONLY qualified technicians should service this equipment.

OBSERVE ALL SAFETY PRECAUTIONS displayed on the equipment or specified in the installation manual included with the dryer.

The following “**FOR YOUR SAFETY**” caution **must be** posted near the dryer in a prominent location.

FOR YOUR SAFETY

Do not store or use gasoline or other flammable vapors and liquids in the vicinity of this or any other appliance.

POUR VOTRE SÉCURITÉ

Ne pas entreposer ni utiliser d'essence ni d'autres vapeurs ou liquides inflammables à proximité de cet appareil ou de tout autre appareil.

We have tried to make this manual as complete as possible and hope you will find it useful. **ADC** reserves the right to make changes from time to time, without notice or obligation, in prices, specifications, colors, and material, and to change or discontinue models.

Important

For your convenience, log the following information:

DATE OF PURCHASE _____ **MODEL NO.** AD-81 _____

RESELLER'S NAME _____

Serial Number(s) _____

Replacement parts can be obtained from your reseller or the **ADC** factory. When ordering replacement parts from the factory, you can FAX your order to **ADC** at (508) 678-9447 or telephone your order directly to the **ADC** Parts Department at (508) 678-9000. Please specify the dryer **model number** and **serial number** in addition to the **description** and **part number**, so that your order is processed accurately and promptly.

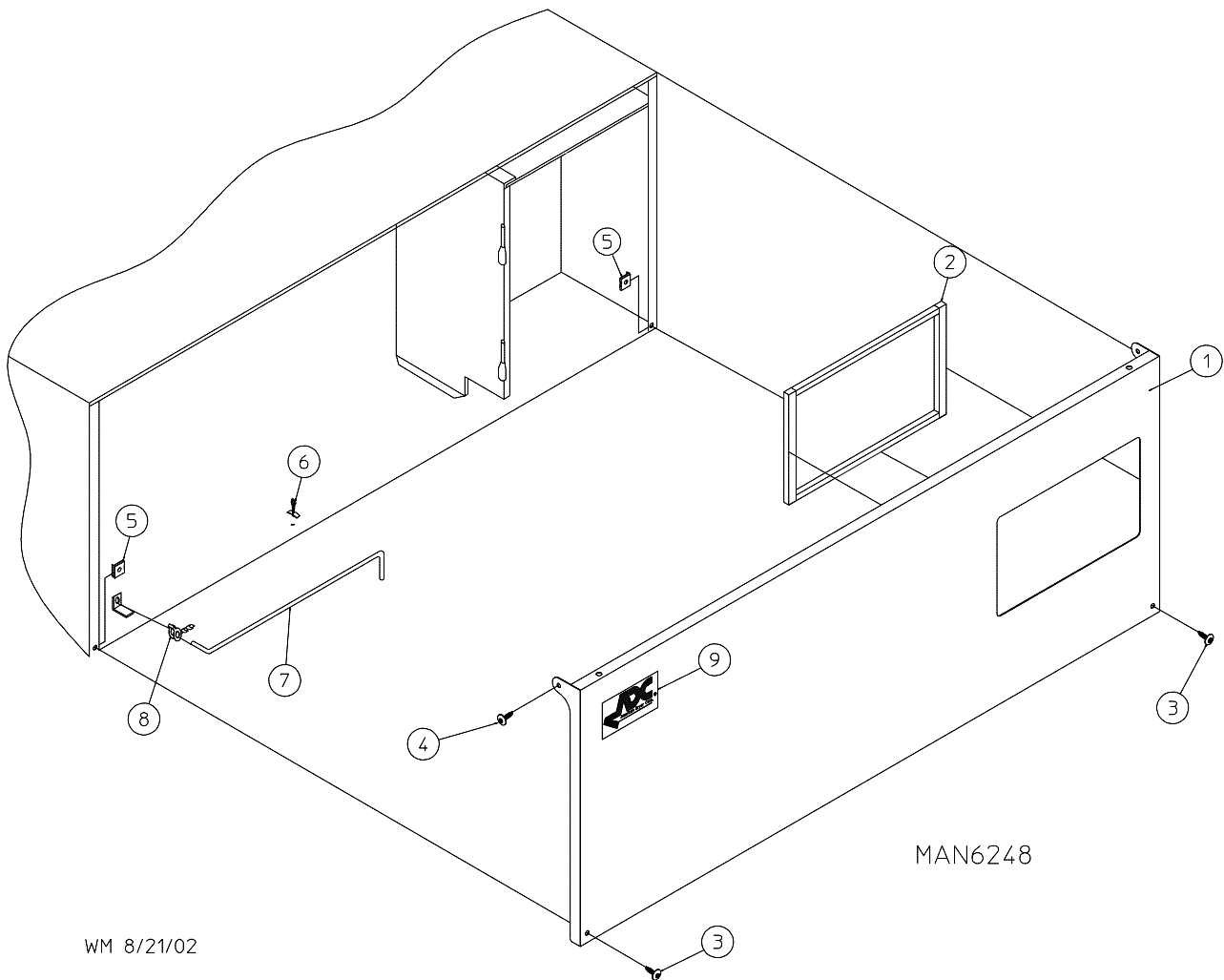
The illustrations on the following pages may not depict your particular dryer exactly. The illustrations are a composite of the various dryer models. Be sure to check the descriptions of the parts thoroughly before ordering.

“IMPORTANT NOTE TO PURCHASER”

Information **must be** obtained from your local gas supplier on the instructions to be followed if the user smells gas. These instructions **must be** posted in a prominent location near the dryer.

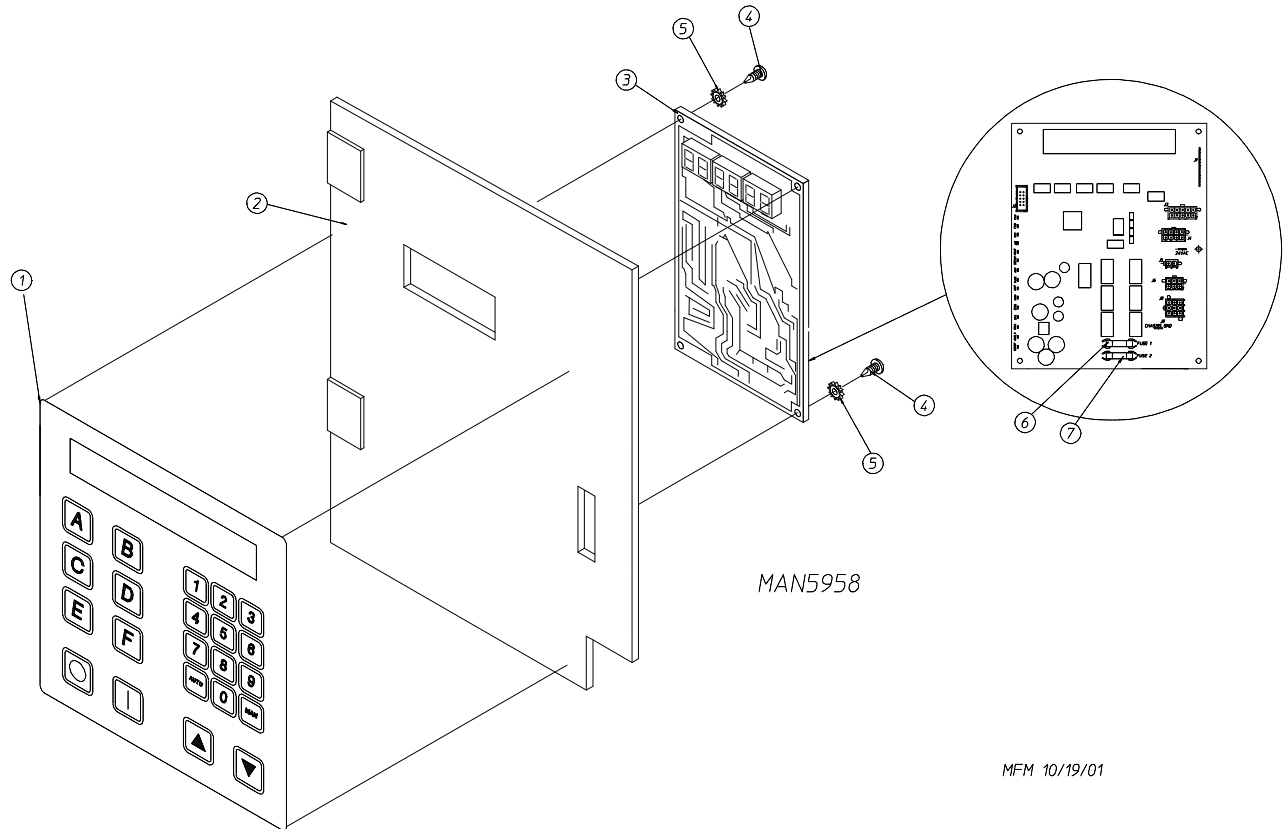
Table of Contents

Hingeless Control Door Assembly	2
Phase 7 OPL Microprocessor Control Panel Assembly	3
Phase 7 OPL Microprocessor Control Box Assembly	4
Cold Rolled Steel (CRS) Door Front Panel Assembly	5
Cold Rolled Steel (CRS) Main Door Assembly	6, 7
Main Door Switch Assembly Cold Rolled Steel (CRS) Door	8
Lint Drawer with Cloth Lint Screen/Lint Drawer Switch Assemblies	9
Sensor Bracket Assembly	10
Basket (Tumbler)/Support Assembly	11
Basket (Tumbler) Bearing Assembly	12
Idler Bearing Assembly	13
Reversing Motor Mount Assembly	14, 15
Direct Spark Ignition (DSI) Burner Assembly	16, 17
Sail Switch Assembly	18
Reversing Relay Panel Assembly	19
460V Reversing Relay Panel Assembly	20, 21
Air-Operated Steam Damper Assembly	22, 23
S.A.F.E. Temperature Probe Assembly	24
S.A.F.E. Solenoid Assembly	25
Outer Top/Back Guard Assemblies	26
Additional Parts Available	27

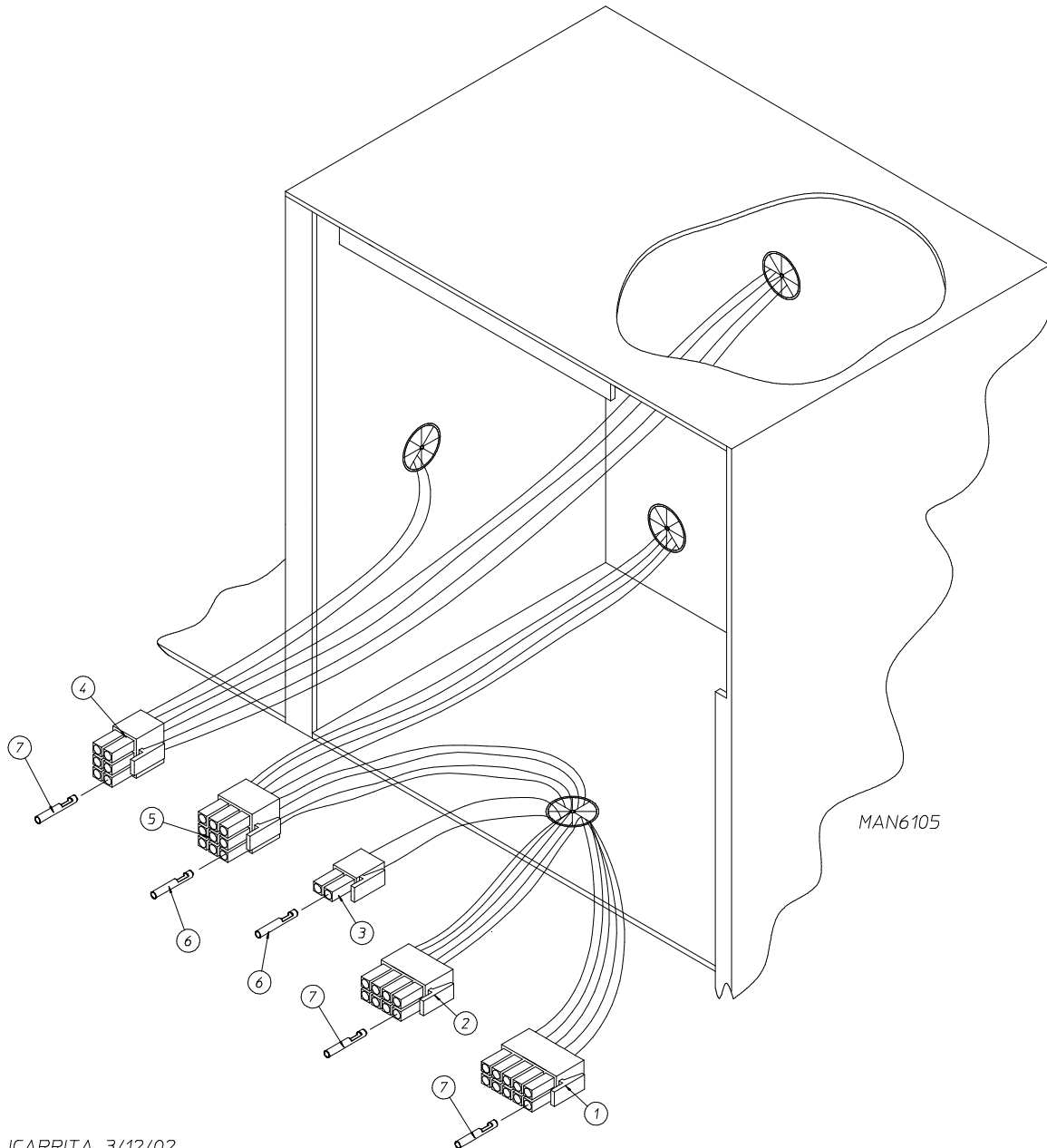


<u>Illus. No.</u>	<u>Part No.</u>	<u>Qty.</u>	<u>Description</u>
1	883491*	1	Control Door Assembly (includes illus. nos. 1 and 2)
	883493	1	Stainless Steel Control Door Assembly (includes illus. nos. 1 and 2)
2	117604	2	Gasket (sold by the foot)
3	150217	2	#10-32 x 3/4" Phillips Pan Head Machine Screw
4	150317	2	#10-16 x 3/4" TORX Plus BTN Type 1 Screw
5	154011	2	#10-32 Multi-Thread U-Nut
6	102603	1	Control Door Rod Catch
7	102502	1	Control Door Support Rod
8	102601	1	Control Door Rod Retainer Clip
9	881053	1	ADC Logo ONLY (with double adhesive tape)
	870011	1	Logo Double Adhesive Tape Kit ONLY

* Specify color when ordering.



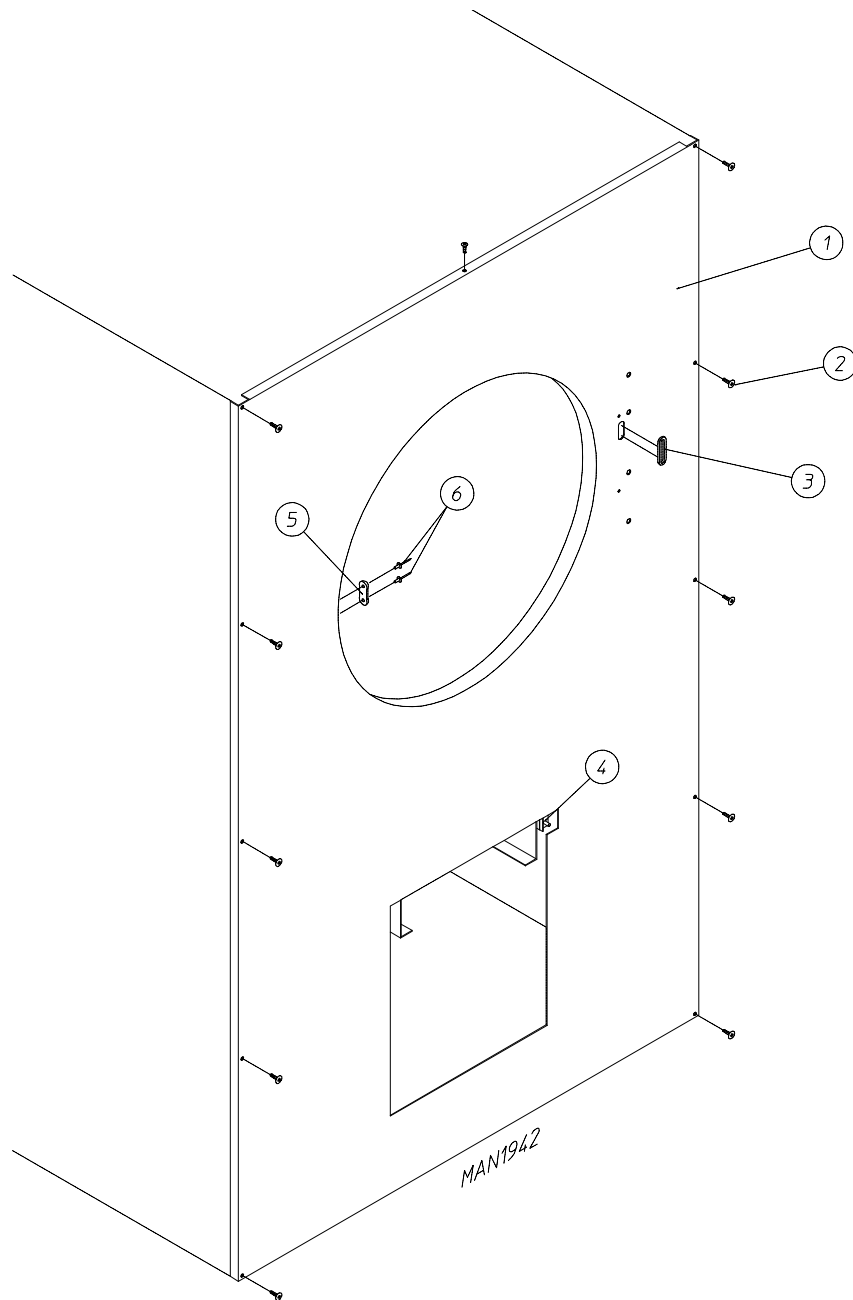
<u>Illus. No.</u>	<u>Part No.</u>	<u>Qty.</u>	<u>Description</u>
1	112571	1	Phase 7 OPL Keyboard
2	850984	1	Phase 7 OPL Microprocessor Controller (computer) Panel ONLY
	883748	1	Phase 7 OPL Reversing Microprocessor Controller (computer) Control Panel Assembly Complete with Sensor Activated Fire Extinguishing (S.A.F.E.) System (includes illus. nos. 1 through 7)
3	883745	1	Phase 7 OPL Microprocessor Controller (computer) ONLY with Sensor Activated Fire Extinguishing (S.A.F.E.) System
4	150005	2	#6-32 x 3/4" Phillips Round Head Machine Screw
5	153010	2	#6 Star Washer
6	136016	1	5-Amp Fuse
7	136097	1	500 mA Fuse



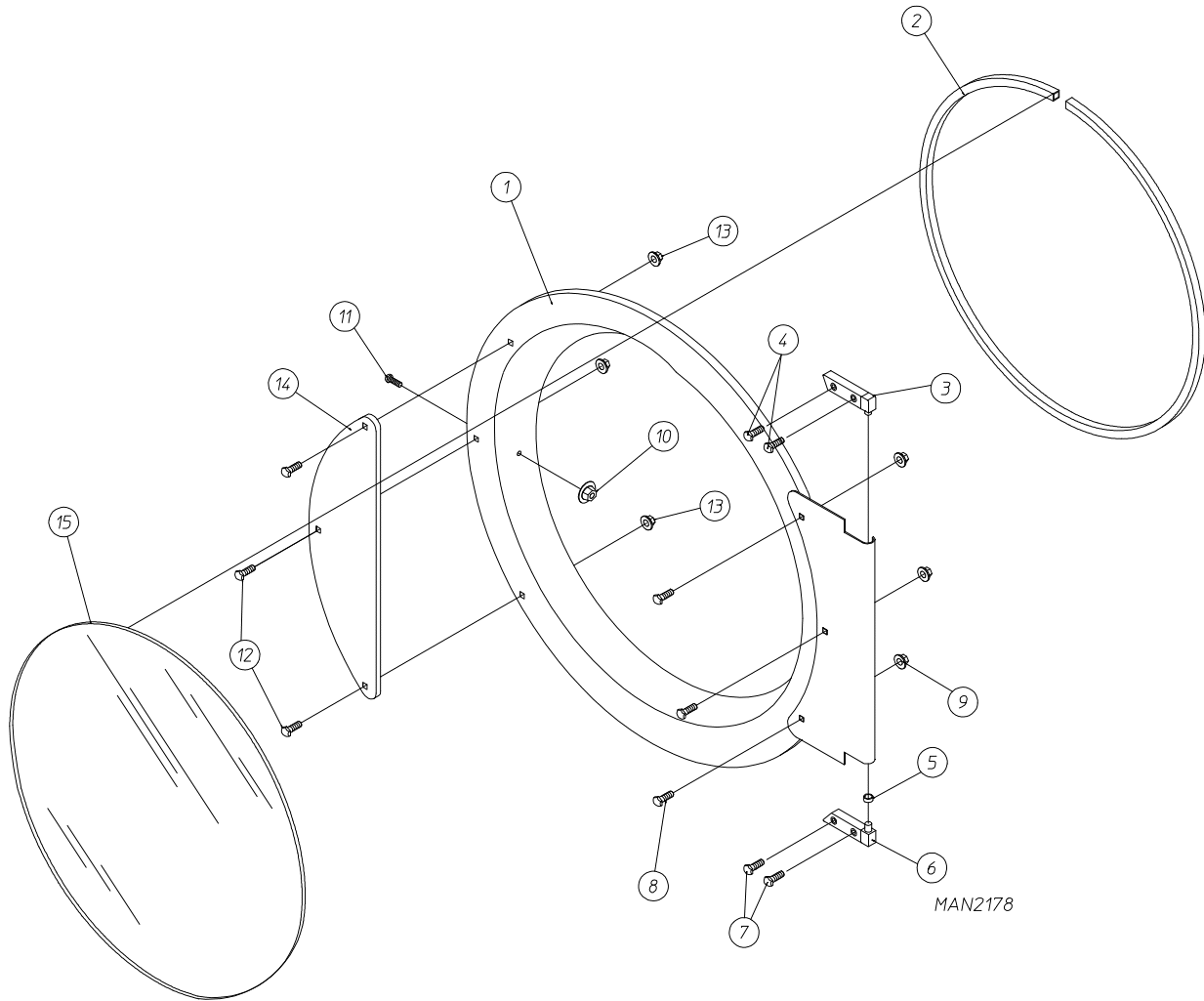
JCARRITA 3/12/02

<u>Illus. No.</u>	<u>Part No.</u>	<u>Qty.</u>	<u>Description</u>
1	122681	1	10-Pin Connector
2	122676	1	8-Pin Connector
3	122646	1	2-Pin Connector
4	122683	1	6-Pin Connector
5	122640	1	9-Pin Connector
6	122706	*	#20-16 U.M.N.L. Socket
7	122669	*	Female Crimp Terminal

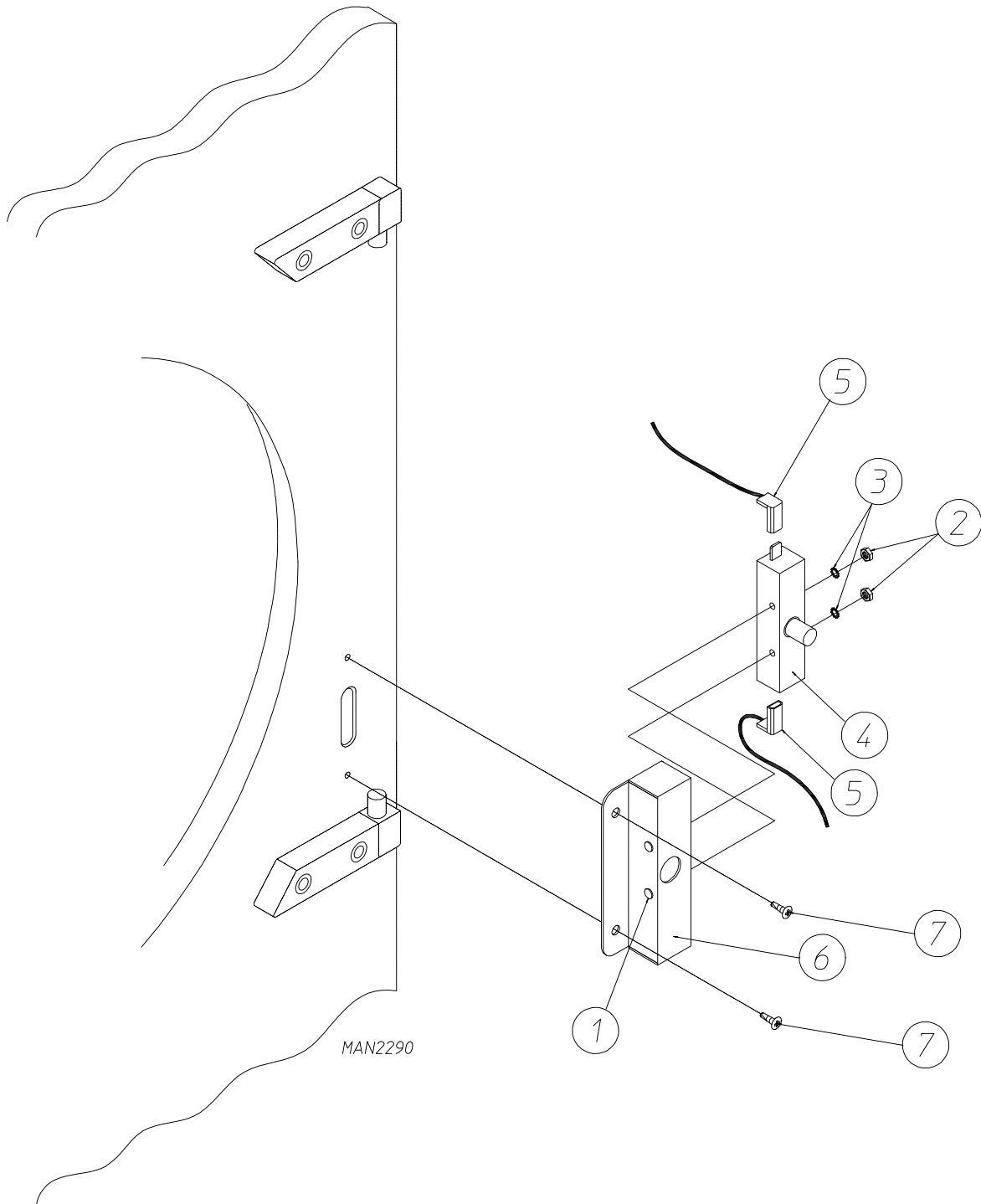
* As needed.



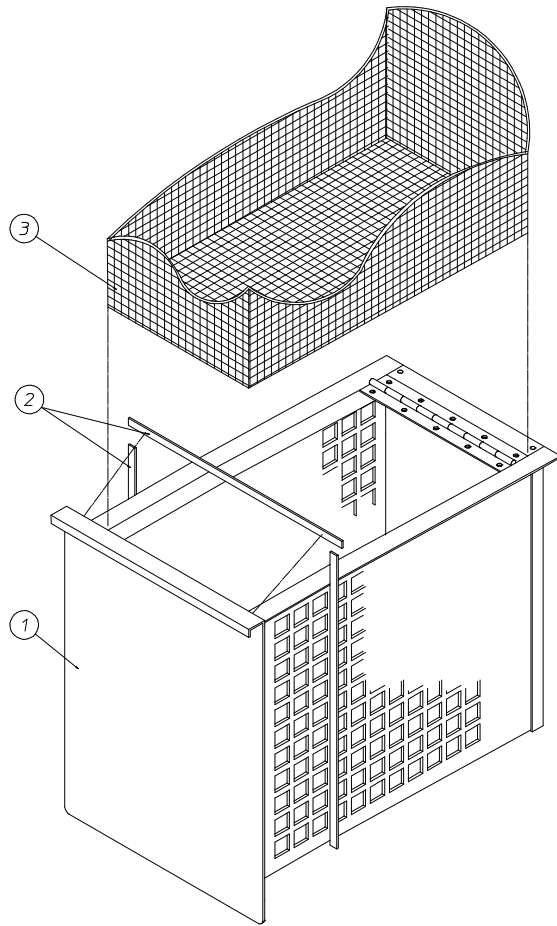
<u>Illus. No.</u>	<u>Part No.</u>	<u>Qty.</u>	<u>Description</u>
1	881994	1	Right Hand Front Panel Complete (includes illus. nos. 1, 3, 5, and 6)
2	150313	11	#10-16 x 1/2" TORX Plus BTN Type 1
3	121405	1	Rubber Grommet
4	-----	1	Lint Drawer Switch (refer to Lint Drawer with Cloth Lint Screen/Lint Drawer Switch Assemblies on page 9)
5	881987	1	Friction Door Latch Kit (includes illus. nos. 5 and 6)
6	154215	2	5/32" Pop Rivet



<u>Illus. No.</u>	<u>Part No.</u>	<u>Qty.</u>	<u>Description</u>
1	881150	1	Black Main Door Assembly Complete (includes illus. nos. 1, 2, and 8 through 15)
	881207	1	Stainless Steel Main Door Assembly Complete (includes illus. nos. 1, 2, and 8 through 15)
2	102354	1	Door Gasket
	170730	1	Clear Glass and Gasket Adhesive (10.3 oz. cartridge)
	170731	1	Black Glass and Gasket Adhesive (10.3 oz. cartridge)
3	881152	1	Black Top Hinge Block Assembly (includes illus. nos. 3 and 4)
	881208	1	Stainless Steel Top Hinge Block Assembly (includes illus. nos. 3 and 4)
4	150445	2	1/4-20 x 7/8" Black Cap Head Setscrew
	150443	2	1/4-20 x 7/8" Stainless Steel Cap Head Setscrew
5	153031	1	1/4" Nylon Washer
6	881151	1	Black Bottom Hinge Block Assembly (includes illus. nos. 5 through 7)
	881209	1	Stainless Steel Bottom Hinge Block Assembly (includes illus. nos. 5 through 7)
7	150445	2	1/4-20 x 7/8" Black Cap Head Setscrew
	150443	2	1/4-20 x 7/8" Stainless Steel Cap Head Setscrew
8	150683	3	1/4-20 x 5/8" Black Carriage Bolt
	150682	3	1/4-20 x 5/8" Stainless Steel Carriage Bolt (for models with stainless steel doors)
9	152014	3	1/4-20 Free Spin Wash Nut
10	151010	1	#10-32 Black Hex Acorn Nut
	151009	1	#10-32 Stainless Steel Hex Acorn Nut (for models with stainless steel doors)
11	150125	1	Door Latch Screw
12	150683	3	1/4-20 x 5/8" Black Carriage Bolt
	150682	3	1/4-20 x 5/8" Stainless Steel Carriage Bolt (for models with stainless steel doors)
13	152014	3	1/4-20 Free Spin Wash Nut
14	881210	1	Black Main Door Handle ONLY
	170333	1	Stainless Steel Main Handle ONLY
15	102211	1	20-7/16" Notched Door Glass

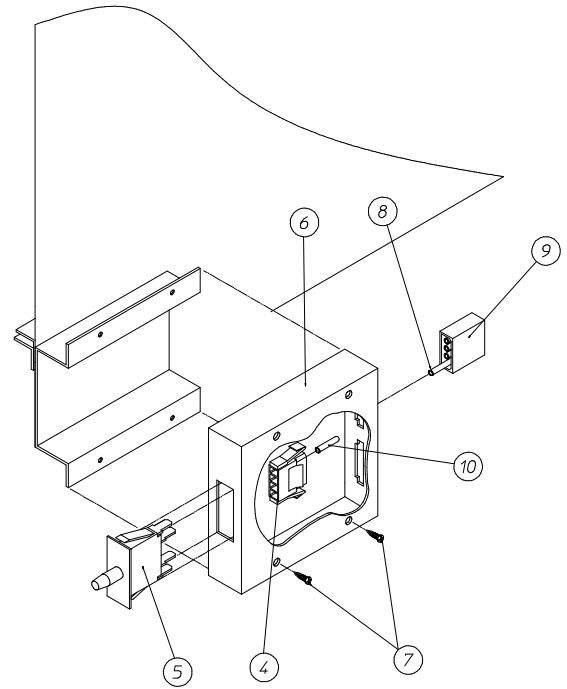


<u>Illus. No.</u>	<u>Part No.</u>	<u>Qty.</u>	<u>Description</u>
1	150006	2	#6-32 x 7/8" Phillips Pan Head Machine Screw
2	152013	2	#6-32 Hex Nut
3	153010	2	#6 Star Washer
4	137005	1	Single-Pole Door Switch
5	122636	2	Flag Terminal
6	881211	1	Main Door Switch Housing
7	150301	2	#8-18 x 7/16" Phillips Pan Head TEK Screw



LINT DRAWER

MAN6473

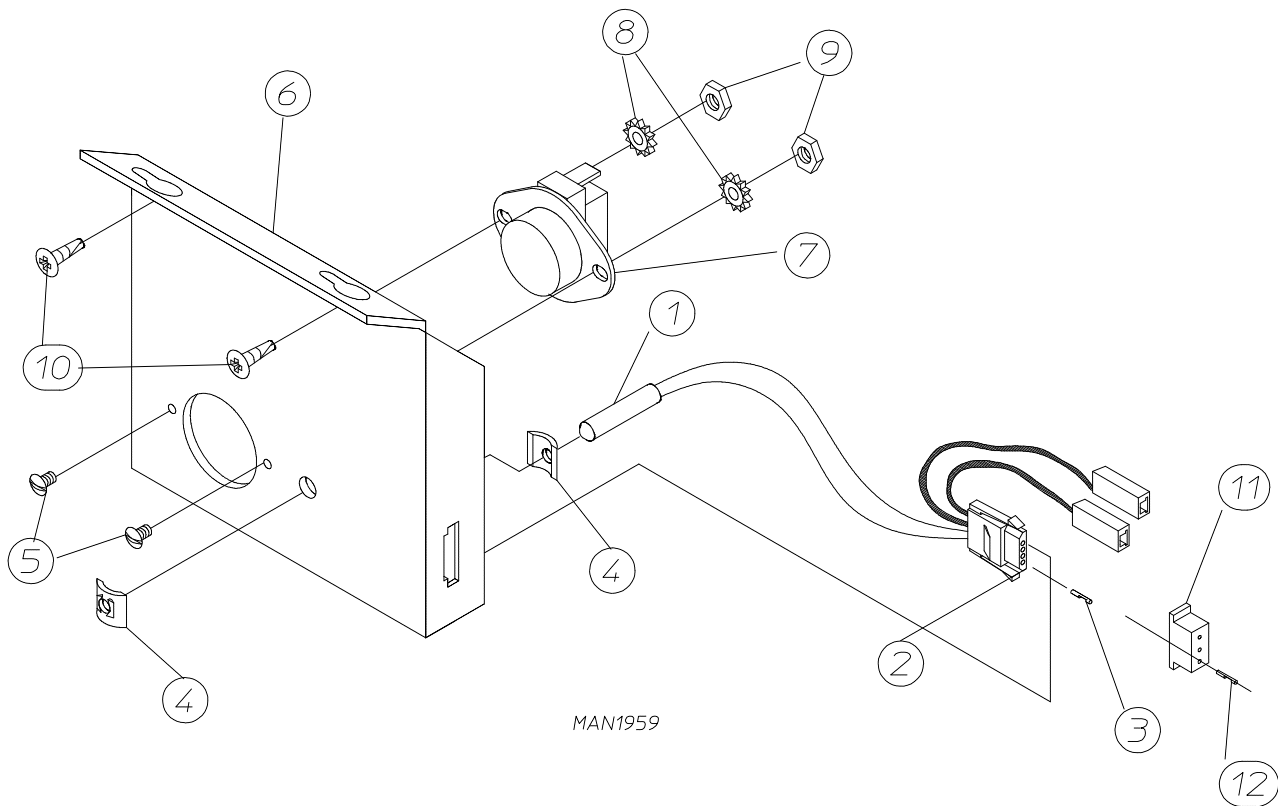


LINT DRAWER SWITCH ASSY

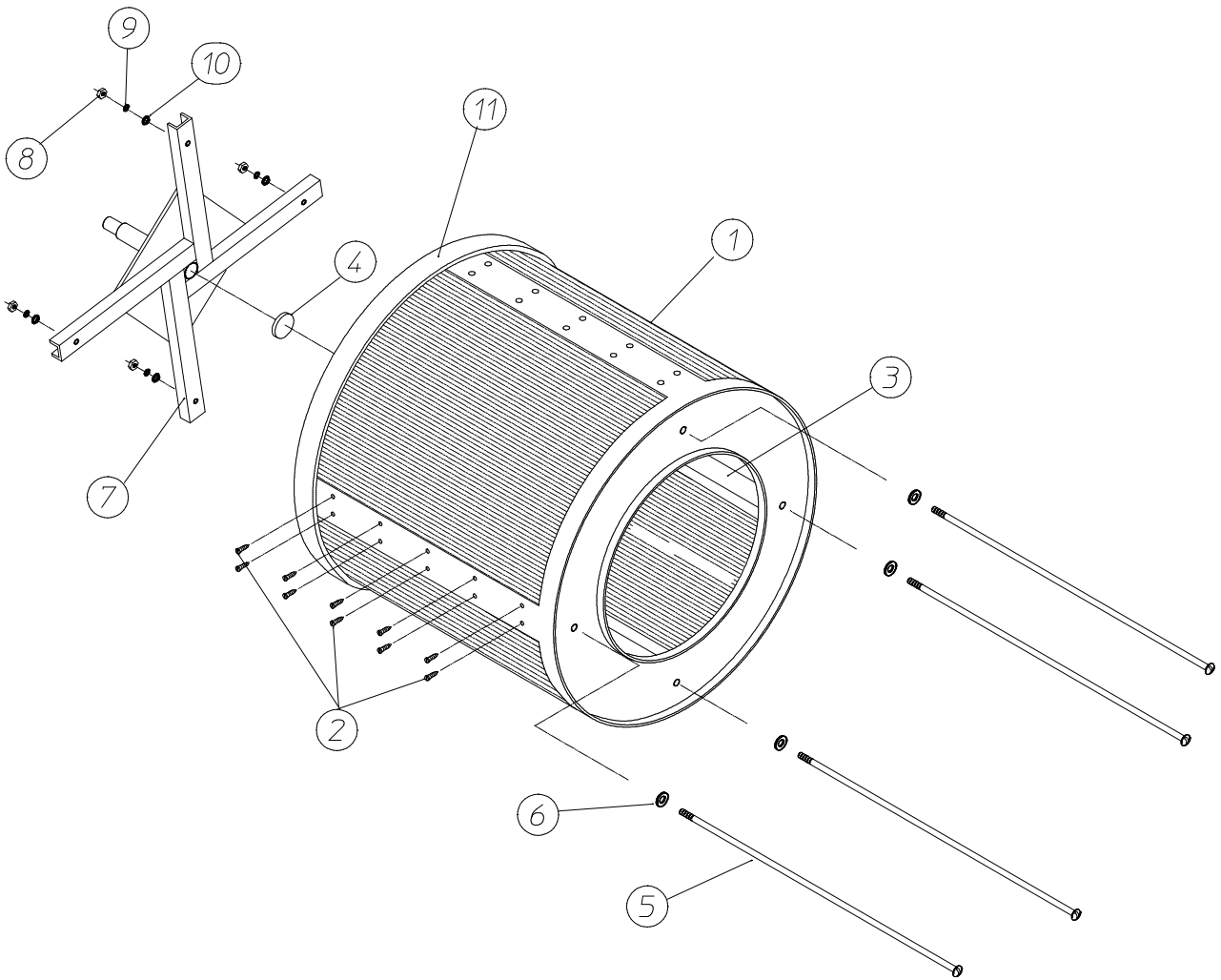
JCARRITA 1/20/03

<u>Illus. No.</u>	<u>Part No.</u>	<u>Qty.</u>	<u>Description</u>
1	883503*	1	Lint Drawer Assembly (includes illus. nos. 1 and 2)
	881464	1	Stainless Steel Lint Drawer Assembly (includes illus. nos. 1 and 2)
2	117605	5	Gasket (sold by the foot)
3	802205	1	Lint Screen Assembly
4	122605	1	4-Pin Connector (female)
5	122116	1	Lint Drawer Switch
6	835073	1	Lint Drawer Switch Box Assembly (includes illus. nos. 4 through 6 and 10)
	304136	1	Lint Drawer Switch Box ONLY
7	150301	2	#8-18 x 7/16" Phillips Pan Head TEK Screw
8	122700	2	Pin Terminal ONLY
9	122604	1	4-Pin Connector (male)
10	122701	2	Socket Terminal ONLY
	122801	1	Pin/Socket Extraction Tool...Not Illustrated

* Specify color when ordering.



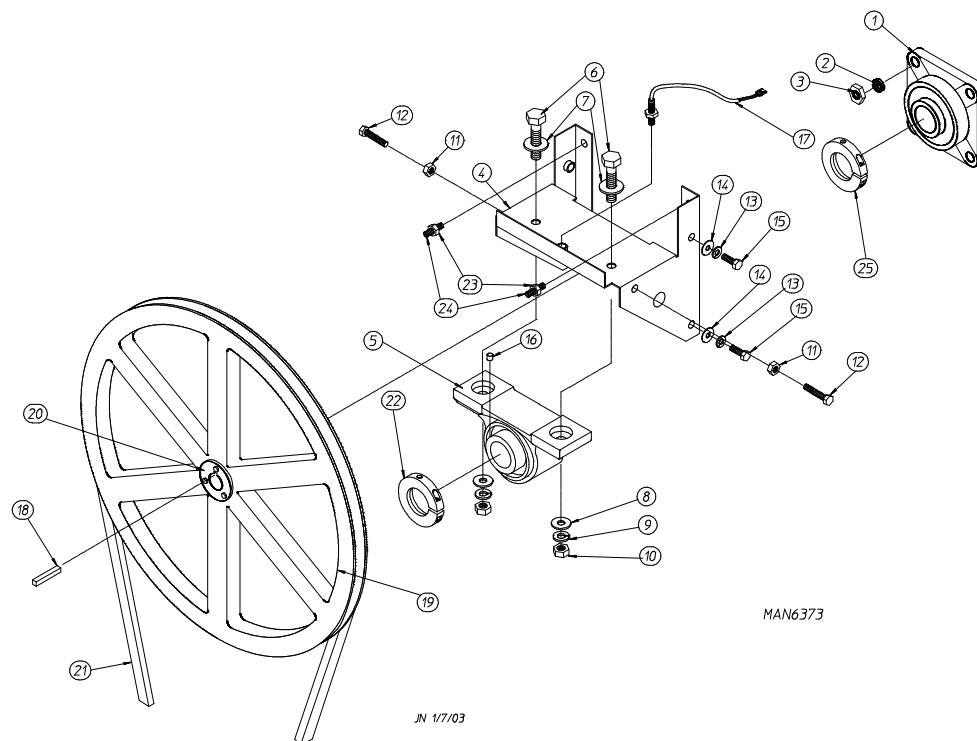
Illus. No.	Part No.	Qty.	Description
1	880251	1	1/4" Temperature Sensor Probe Assembly (includes illus. nos. 1 through 4)
2	122605	1	4-Pin Connector (female)
3	122701	4	Socket Terminal ONLY (female)
4	154007	2	1/4" Tinnerman Push On Fastener
5	150005	2	#6-32 x 1/4" Round Head Machine Screw
6	802174	1	Sensor Bracket Assembly Complete (includes illus. nos. 1 through 9)
	323626	1	Temperature Sensor Bracket ONLY
7	130103	1	225° Manual Reset Thermostat
8	153010	2	#6 Star Washer
9	152000	2	#6-32 Hex Nut
10	150301	2	#8-18 x 7/16" Phillips Pan Head TEK Screw
11	122604	1	4-Pin Connector (male)
12	122700	4	Pin Terminal ONLY
	122801	1	Socket/Pin Extraction Tool...Not Illustrated



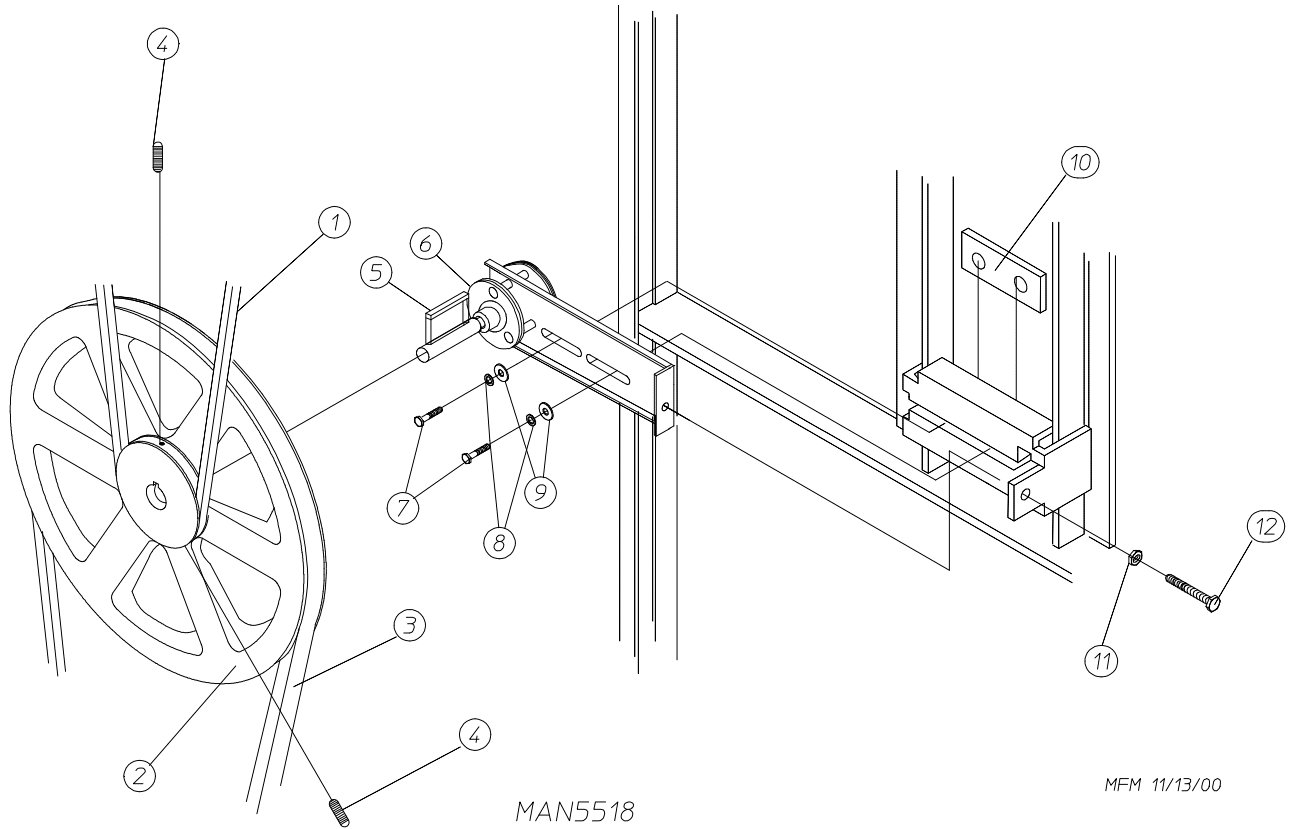
JN 2/10/03

MAN6536

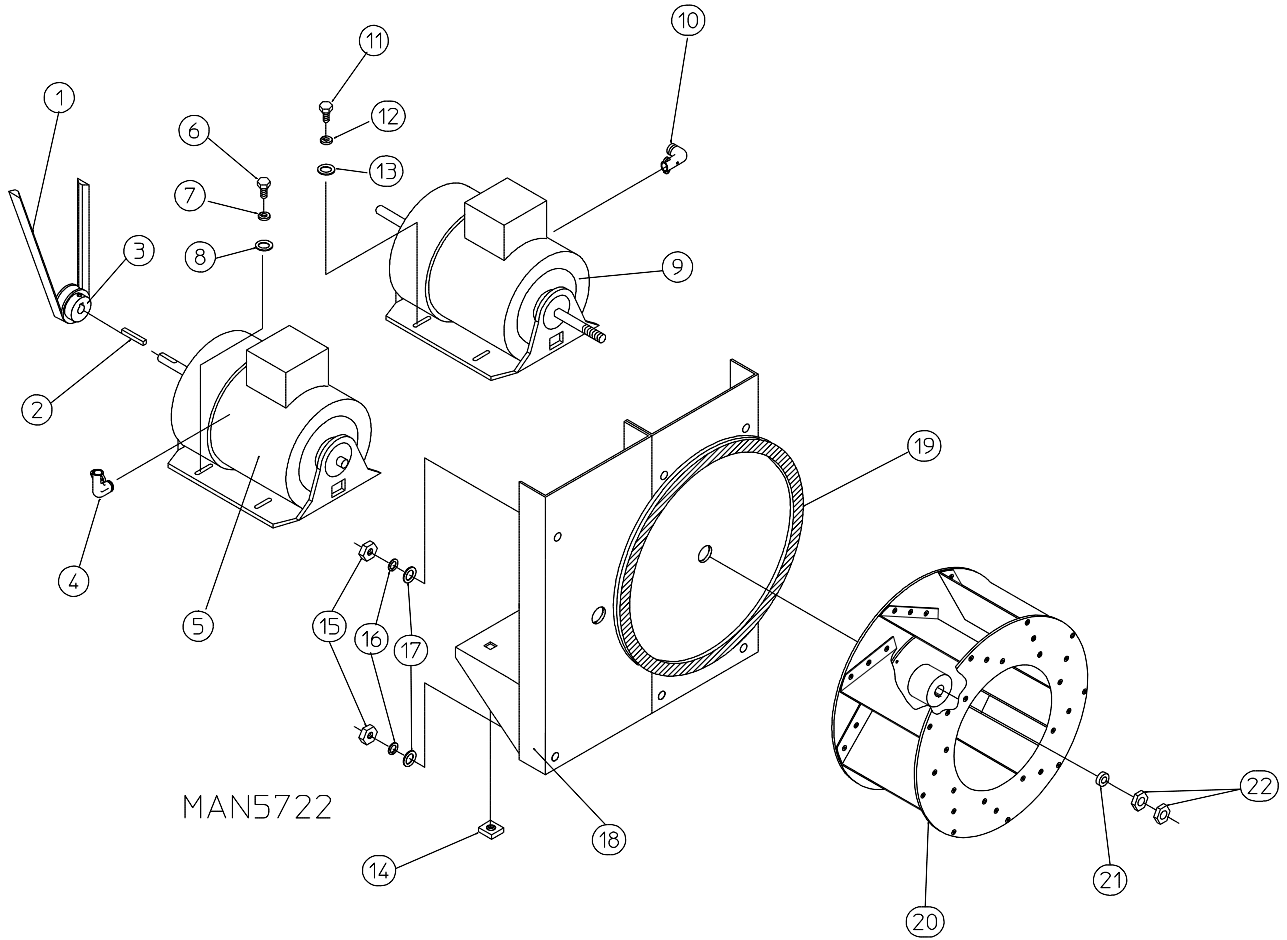
<u>Illus. No.</u>	<u>Part No.</u>	<u>Qty.</u>	<u>Description</u>
1	880818	1	Basket (tumbler) ONLY without Felt Collar (includes illus. nos. 1 through 3)
	880827	1	Reversing Basket (tumbler) and Support Assembly Complete (includes illus. nos. 1 through 11)
2	154210	40	5/32" x 3/16" Pop Rivet
3	301308	4	Basket (tumbler) Rib ONLY
4	115986	1	Felt (tumbler) Pad 1/4" x 2" Diameter
5	100905	4	3/8-16 x 37" Tie Rod
6	153004	4	3/8" Flat Washer
7	800615	1	Reversing Basket (tumbler) Support ONLY
8	152005	4	3/8-16 Hex Nut
9	153005	4	3/8" Lock Washer
10	153004	4	3/8" Flat Washer
11	116000	1	Felt Collar ONLY
--	401010	1	#847 Construction Mastic



<u>Illus. No.</u>	<u>Part No.</u>	<u>Qty.</u>	<u>Description</u>
1	883735	1	1-3/4" Flange Bearing (griplock)
2	153025	4	9/16" Lock Washer
3	152050	4	9/16-12 Hex Nut
4	883736	1	Pillow Block Bearing Assembly Complete with Rotational Sensor (includes illus. nos. 4 through 17)
	800982	1	Pillow Block Bearing Platform ONLY (for rotational sensor models)
5	883710	1	1-3/8" Pillow Block Bearing
6	150601	2	3/8-16 x 2" Hex Bolt
7	153004	2	3/8" Flat Washer
8	153004	2	3/8" Flat Washer
9	153005	2	3/8" Lock Washer
10	152005	2	3/8-16 Hex Nut
11	152004	2	5/16-18 Hex Nut
12	150621	2	5/16-18 x 1-1/2" Tap Bolt
13	153002	4	5/16" Lock Washer
14	153004	4	3/8" Flat Washer
15	150501	4	5/16-18 x 3/4" Tap Bolt
16	102120	1	Sintered 8 Magnet
17	883386	1	Rotational Sensor Assembly
18	100735	1	Shaft Key (for reversing models Only)
19	101118	1	18-3/4" Pulley
20	101119	1	1-3/8" Taper Lock Bushing
21	100106	1	5L-690 V-Belt (basket [tumbler] to idler)
22	100270	1	1-3/8" Bearing Replacement Collar (griplock)
23	152004	2	5/16-18 Hex Nut
24	150610	2	5/16-18 x 1-1/2" Allen Setscrew
25	100272	1	1-3/4" Bearing Replacement Collar (griplock)



<u>Illus. No.</u>	<u>Part No.</u>	<u>Qty.</u>	<u>Description</u>
1	100106	1	5L-690 V-Belt
2	101140	1	14" x 3" Compound Pulley
3	100109	1	4L-650 V-Belt (idler to motor)
4	154301	2	5/16-18 x 1" Allen Setscrew
5	100705	1	3/16" x 3/16" x 1-3/8" Key
6	882576	1	Idler Bearing Assembly Complete (includes illus. nos. 5 through 12)
7	150617	2	3/8-16 x 1" Hex Head Machine Bolt
8	153005	2	3/8" Lock Washer
9	153004	2	3/8" Flat Washer
10	801009	1	Idler Square Washer
11	152004	1	5/16-18 Hex Nut
12	150509	1	5/16-18 x 3" Hex Head Machine Bolt

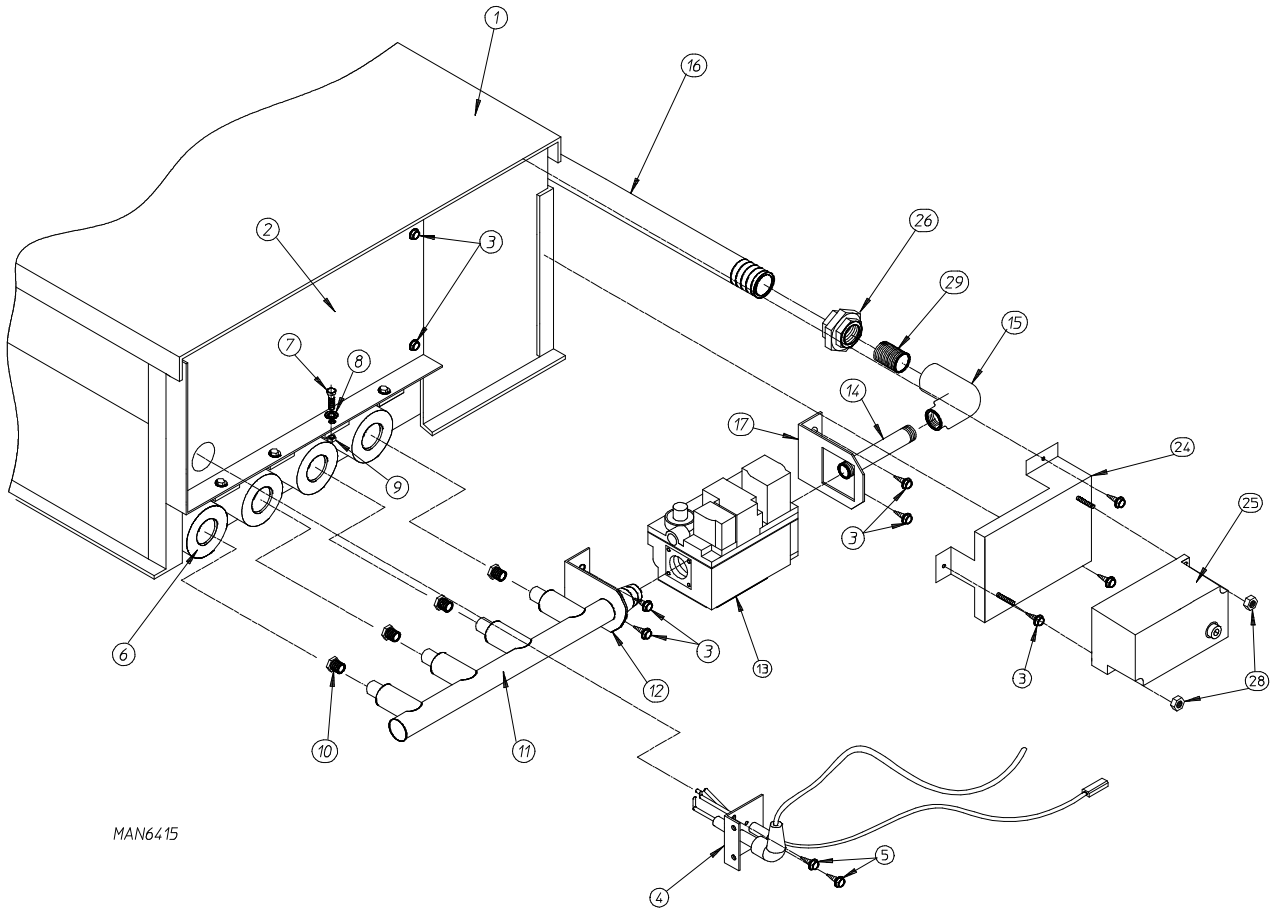


MAN5722

CALBERT 03/23/01

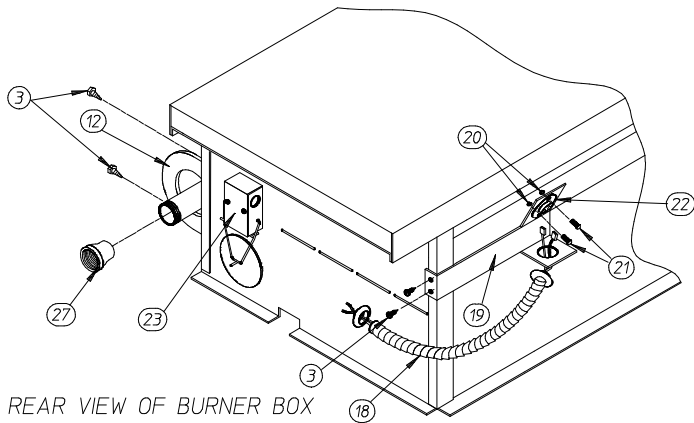
<u>Illus. No.</u>	<u>Part No.</u>	<u>Qty.</u>	<u>Description</u>
1	100109	1	4L-630 V-Belt (motor to idler)
2	100701	1	3/16" x 3/16" x 1" Key
3	101130	1	5/8" x 2-1/2" Motor Pulley (60 Hz Only)
	101139	1	5/8" x 2-3/4" Motor Pulley (50 Hz Only)
4	120200	1	3/8" x 90° Connector
5	181003*	1	1/2 HP 208/230/380/460v 3ø 50/60 Hz Totally Enclosed, Fan-Cooled (T.E.F.C.) Motor (56Z frame)
6	150501	4	5/16-18 x 3/4" Tap Bolt
7	153002	4	5/16" Lock Washer
8	153001	4	5/16" Flat Washer
9	181043*	1	3 HP 220/230/380/460v 3ø 50/60 Hz Totally Enclosed, Fan-Cooled (T.E.F.C.) Motor with 3/4" Shaft (56Z frame)
10	120200	1	3/8" x 90° Connector
11	150501	4	5/16-18 x 3/4" Tap Bolt
12	153002	4	5/16" Lock Washer
13	153001	4	5/16" Flat Washer
14	154000	8	5/16" Tinnerman Nut
15	152004	6	5/16-18 Hex Nut
16	153002	6	5/16" Lock Washer
17	153001	6	5/16" Flat Washer
18	803566	1	Reversing Motor Mount ONLY (56Z frame)
	883027*	1	60 Hz Reversing Totally Enclosed, Fan-Cooled (T.E.F.C.) Motor Mount Assembly Complete (includes illus. nos. 2 through 14 and 18 through 22)
	883026*	1	50 Hz Reversing Totally Enclosed, Fan-Cooled (T.E.F.C.) Motor Mount Assembly Complete (includes illus. nos. 2 through 14 and 18 through 22)
19	117604	4	Neoprene Sponge Tape (sold by the foot)
20	802027	1	16" Riveted High Flow Impellor (60 Hz models)
	802024	1	16" Riveted High Flow Impellor (50 Hz models)
21	153065	1	1-1/2" Outside Diameter x 1/2" Washer
22	152006	2	1/2-20 Left Hand Jam Nut

* Check part number on motor data label to verify correct motor.



MAN6415

FRONT VIEW OF BURNER BOX



REAR VIEW OF BURNER BOX

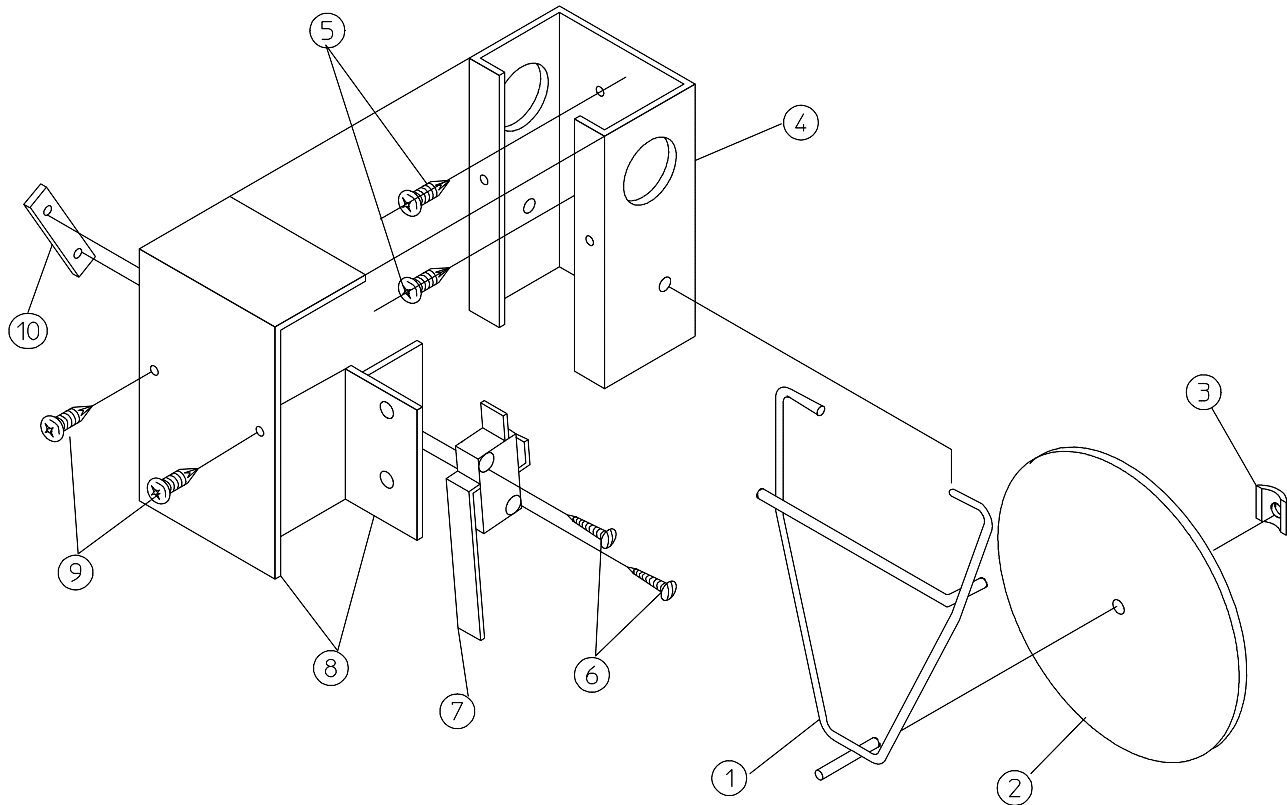
JNERY 12/16/02

<u>Illus. No.</u>	<u>Part No.</u>	<u>Qty.</u>	<u>Description</u>
1	802237	1	Burner Box ONLY
	803020*	1	Natural Gas Burner Assembly Complete Less Orifice (includes illus. nos. 1 through 9 and 11 through 29)
	803021*	1	Liquid Propane (L.P.) Burner Assembly II Complete Less Orifice (includes illus. nos. 1 through 9 and 11 through 29)
2	802240	1	Burner Shield
3	150309	15	#10-16 x 1/2" Hex Head Crimptite Screw

<u>Illus. No.</u>	<u>Part No.</u>	<u>Qty.</u>	<u>Description</u>
4	882451	1	Direct Spark Ignition (DSI) Ignitor/Flame-Probe with High Voltage Wire and Connector
	880134	1	Direct Spark Ignition (DSI) Ignitor/Flame-Probe Assembly Complete with High Voltage (HV) Wire Connector
	305410	-	Ignitor Gap Tool...Not Illustrated
5	150300	2	#10-16 x 1/2" Hex Washer TEK Screw
6	141105	4	Large Burner Tube
7	150108	4	#8-32 x 1/2" Phillips Pan Head Machine Screw
8	153000	4	#8 Steel Burr
9	151001	4	#8-32 Pal Nut
10**	140856	4	#23 Burner Orifice (natural gas) ONLY
	140811	4	#41 Burner Orifice (liquid propane [L.P.] gas) ONLY
11	141210	1	3/4" Manifold (4-port)
12	323737	1	Pipe Bracket (bent)
13	128928	1	24 VAC Direct Spark Ignition (DSI) Gas Valve (natural gas) ONLY
	881052	1	24 VAC Direct Spark Ignition (DSI) Gas Valve (liquid propane [L.P.] gas) ONLY
14	142715	1	1/2" x 2" Nipple
15	142511	1	3/4" x 1/2" Reducing Elbow
16	142829	1	3/4" x 28" Pipe Nipple
17	323763	1	Gas Valve Bracket
18	824533	1	Sail Switch to Hi-Limit Harness
19	319704	1	Hi-Limit Mounting Bracket
20	151000	2	#6-32 Pal Nut
21	150001	2	#6-32 x 1/2" Round Head Machine Screw
22	130201	1	330° Manual Reset Hi-Limit Thermostat
23	-----	1	Sail Switch (refer to Sail Switch Assembly on page 18)
24	810030	1	Direct Spark Ignition (DSI) Mounting Bracket
25	128935	1	Direct Spark Ignition (DSI) Module Johnson Controls
26	142601	1	3/4" Union
27	142924	1	1" to 3/4" Reducing Coupling
--	881016	1	AD-81 Burner Liquid Propane (L.P.) Conversion Kit with Orifice
28	152013	2	#6-32 Hex Nut
29	142701	2	3/4" Close Nipple

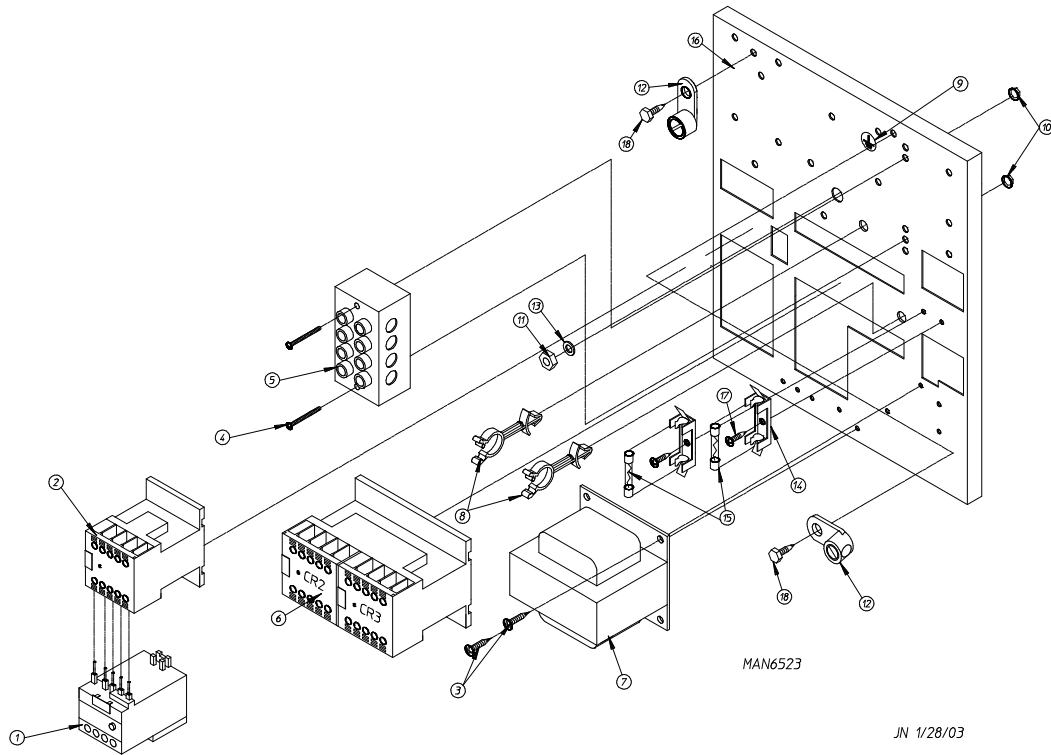
* Burner orifices *are not included* and **must be** ordered separately.

** Consult factory for elevations over 2,000 feet.

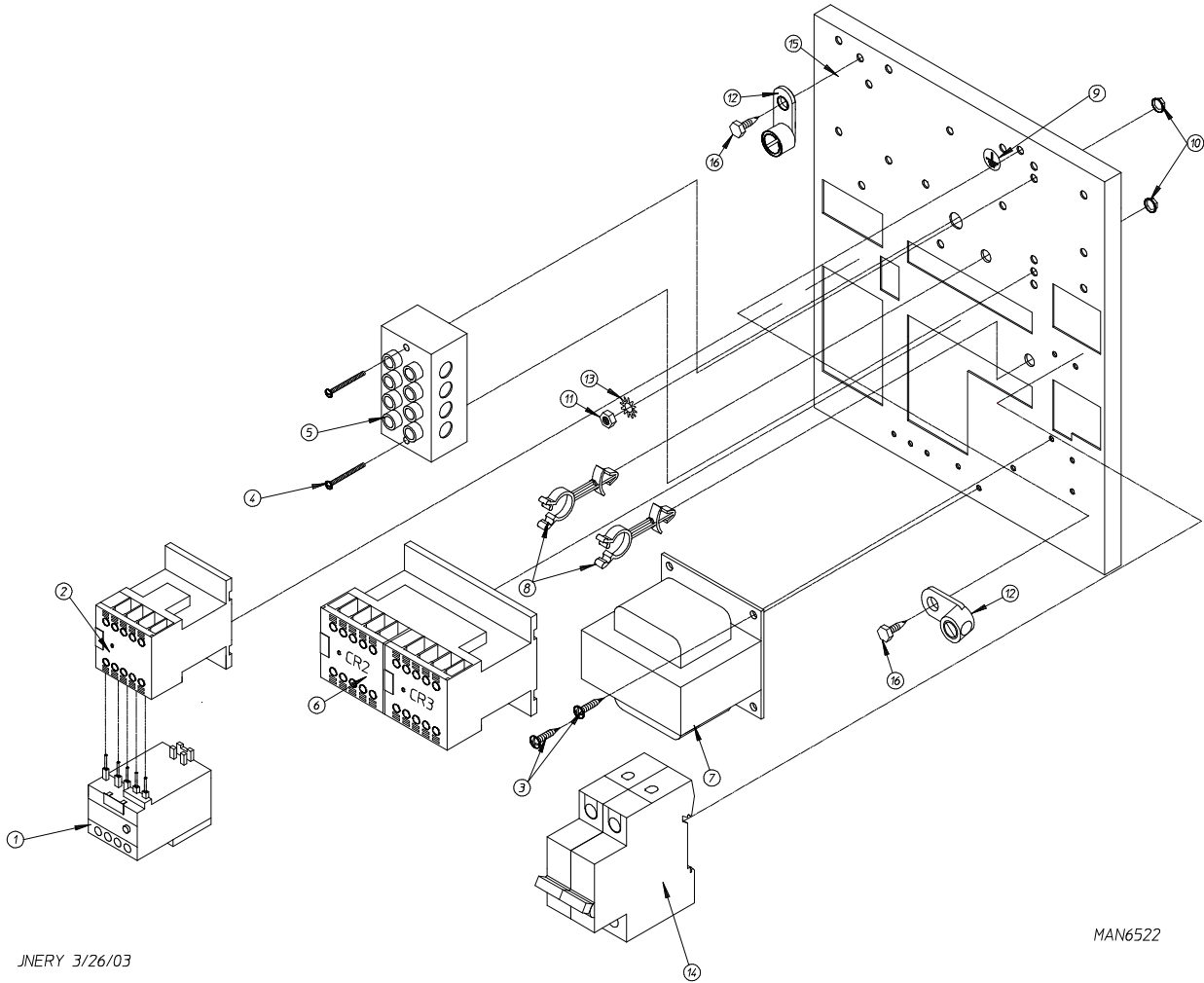


MAN0440

<u>Illus. No.</u>	<u>Part No.</u>	<u>Qty.</u>	<u>Description</u>
1	105500	1	Sail Switch Actuator Rod
2	319202	1	Sail Switch Damper (flat)
3	154002	1	1/8" Push On Fastener
4	802800	1	Sail Switch Box with Cover and Bracket ONLY (includes illus. nos. 4, 8, and 9)
	802801	1	Sail Switch Box Assembly Complete (includes illus. nos. 1 through 4 and 6 through 10)
5	150300	2	#10-16 x 1/2" Hex Washer TEK Screw
6	150303	2	#4 x 3/4" Pan Head "A" Machine Screw
7	122200	1	Sail Switch ONLY
8	802799	1	Sail Switch Box Cover and Bracket ONLY
9	150309	2	#10-16 x 1/2" Hex Head Crimptite Screw
10	154004	1	Twin Speed Nut



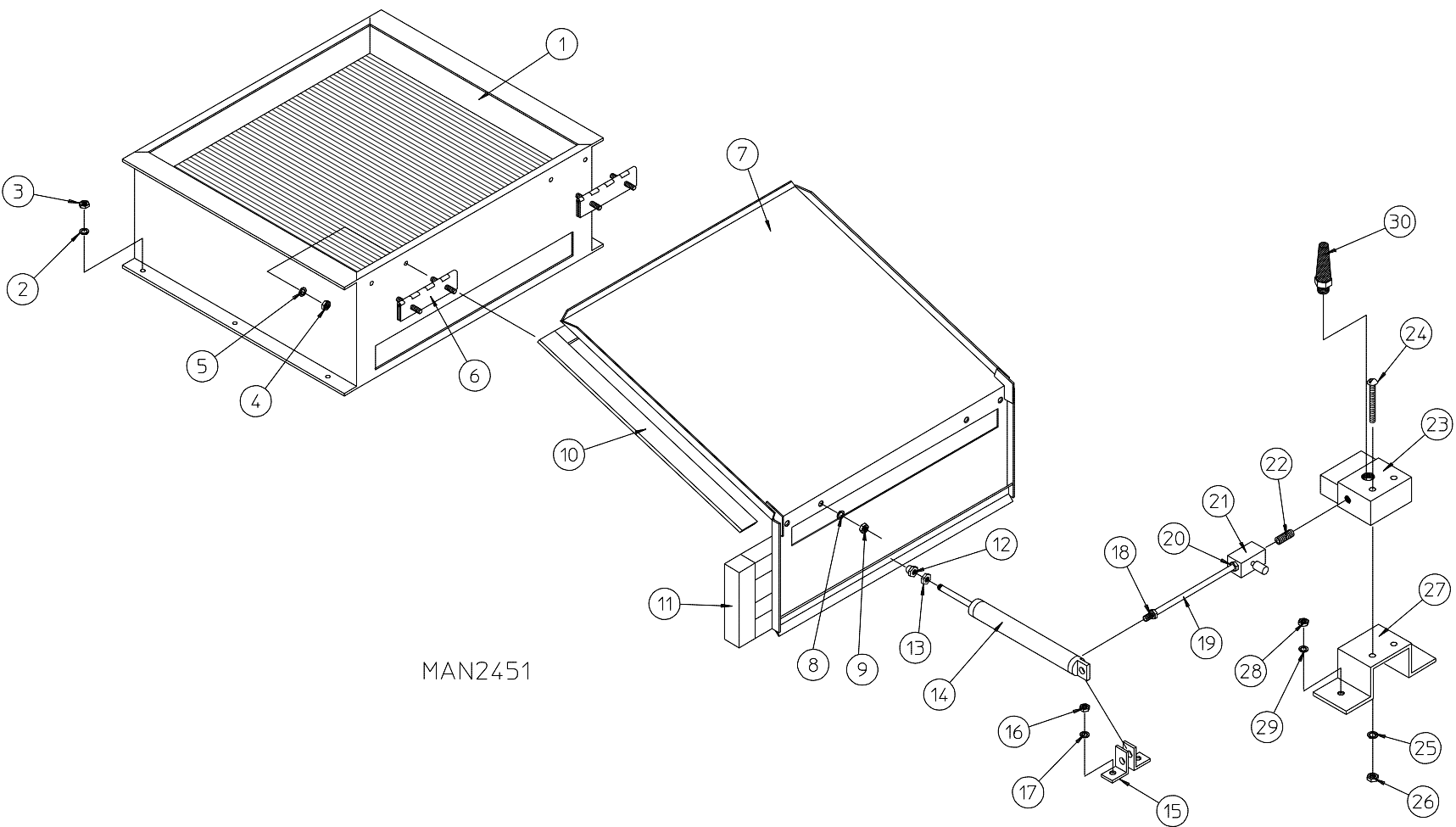
<u>Illus. No.</u>	<u>Part No.</u>	<u>Qty.</u>	<u>Description</u>
1	132516	1	8-11.5-Amp Overload Relay
2	132514	1	3-Phase (3 ϕ) Contactor with Arc Suppressor
3	150300	2	#10-16 x 1/2" Hex Washer TEK Screw
4	150009	2	#6-32 x 1-1/2" Phillips Round Head Machine Screw
5	120701	1	4-Position Terminal Block
6	132497	1	Reversing Contactor
7	822764	1	208-240 Volt Transformer Assembly (for gas and steam models)
	830211	1	380-416 Volt Transformer Assembly (for gas models Only)
8	121502	2	1/2" Wire Standoff
9	112075	1	Ground Label
10	151000	2	#6-32 Pal Nut
11	152004	1	5/16-18 Hex Nut
12	121010	2	L-70 Ground Lug
13	153002	1	5/16" Lock Washer
14	136008	2	Fuse Holder
15	136057	2	1/2-Amp (Slo-Blo) Fuse
16	823023	1	Reversing Relay Panel Complete (for 208-240 volt gas models Only) (includes illus. nos. 1 through 18)
--	823022	1	Reversing Relay Panel Complete (for 380-416 volt gas models Only) (includes illus. nos. 1 through 18)
--	823024	1	Reversing Relay Panel Complete (for 208-240 volt steam models Only) (includes illus. nos. 1 through 18)
--	323743	1	Relay Panel ONLY (includes illus. nos. 1 through 18)
17	150301	1	#8-18 x 7/16" Phillips Pan Head TEK Screw
18	120910	2	#10-32 Green Ground Screw



JNERY 3/26/03

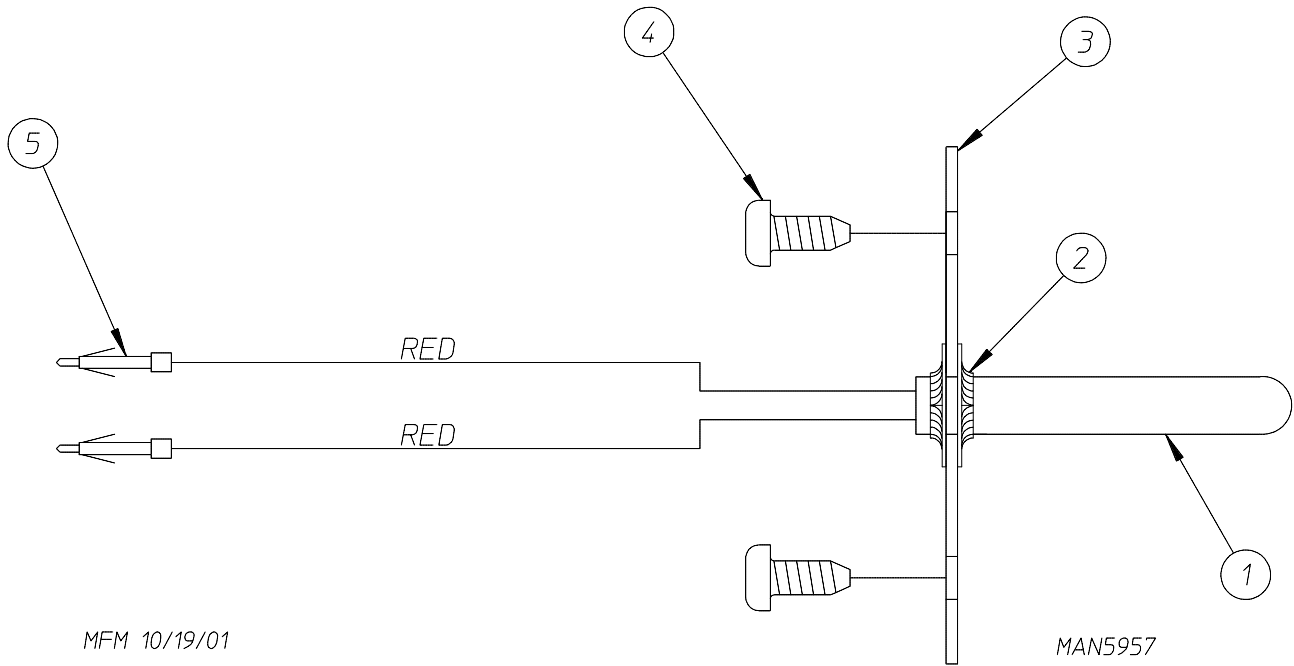
MAN6522

<u>Illus. No.</u>	<u>Part No.</u>	<u>Qty.</u>	<u>Description</u>
1	132474	1	3.7-5.5-Amp Overload Relay
2	132514	1	3-Phase (3 ϕ) Contactor with Arc Suppressor
3	150300	2	#10-16 x 1/2" Hex Washer TEK Screw
4	150009	2	#6-32 x 1-1/2" Phillips Round Head Machine Screw
5	120701	1	4-Position Terminal Block
6	132497	1	Reversing Contactor
7	830226	1	460-480 Volt Transformer Assembly
8	121502	2	1/2" Wire Standoff
9	112075	1	Ground Label
10	151000	2	#6-32 Pal Nut
11	152004	1	5/16-18 Hex Nut
12	121010	2	L-70 Ground Lug
13	153002	1	5/16" Lock Washer
14	135501	1	2-Pole 1-Amp Circuit Breaker
15	823021	1	Reversing Relay Panel Complete (includes illus. nos. 1 through 17)
	323743	1	Relay Panel ONLY
16	120910	2	#10-32 Green Ground Screw

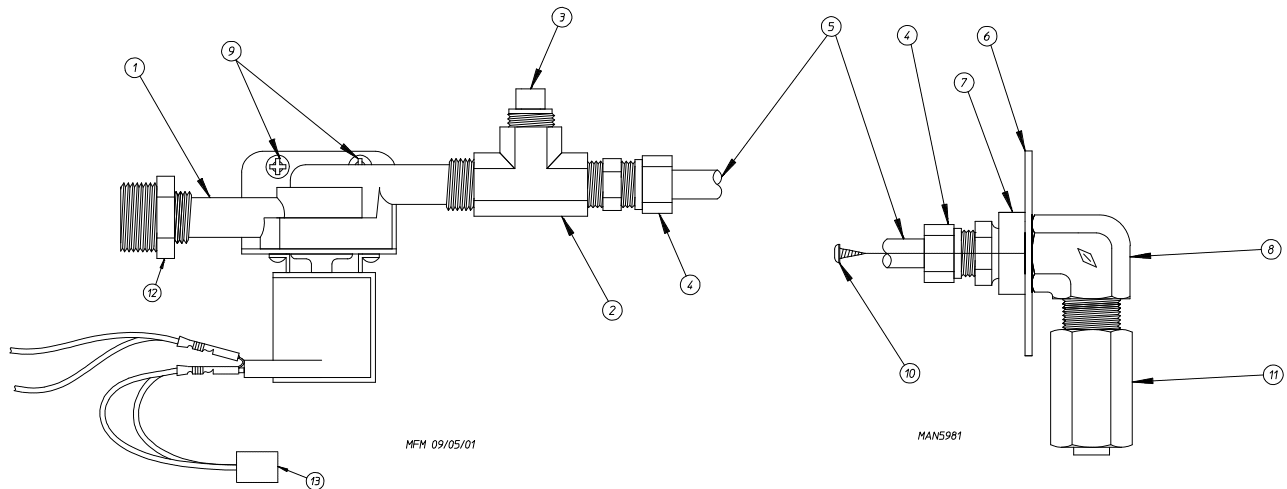


MAN2451

<u>Illus. No.</u>	<u>Part No.</u>	<u>Qty.</u>	<u>Description</u>
1	165009	1	Steam Coil Assembly
2	153002	6	5/16" Lock Washer
3	152004	6	5/16-18 Hex Nut
4	152002	4	1/4-20 Hex Nut
5	153007	4	1/4" Lock Washer
6	820321	2	Steam Damper Hinge Assembly
7	803415	1	Steam Damper Assembly (includes illus. nos. 7, 10, and 11)
8	153007	4	1/4" Lock Washer
9	152002	4	1/4-20 Hex Nut
10	115995	108	Steam Damper Gasket (sold by the inch)
11	102350	1	Steam Damper Foam (68-1/2" length)
12	151007	1	7/16-20 Stainless Steel Acorn Nut
13	152007	1	7/16-20 Hex Nut
14	100497	1	1-1/4" Bore x 3" Stroke Piston
15	100492	1	Piston Support Bracket
16	152002	4	1/4-20 Hex Nut
17	153007	4	1/4" Lock Washer
18	100472	1	1/4" x 1/8" Connector
19	143110	1	1/4" Tubing (sold by the foot)
20	100472	1	1/4" x 1/8" Connector
21	100496	1	1/8" Needle Valve
22	143238	1	1/8" Close Nipple
23	100498	1	3-Way Micro Valve - 24 VAC
24	150002	2	#6-32 x 1" Phillips Round Head Machine Screw
25	153010	2	#6 Star Washer
26	152000	2	#6-32 Hex Nut
27	330987	1	Micro Valve Support Bracket
28	152002	2	1/4-20 Hex Nut
29	153007	2	1/4" Lock Washer
30	100520	1	1/8" N.P.T. Silencer (muffler)

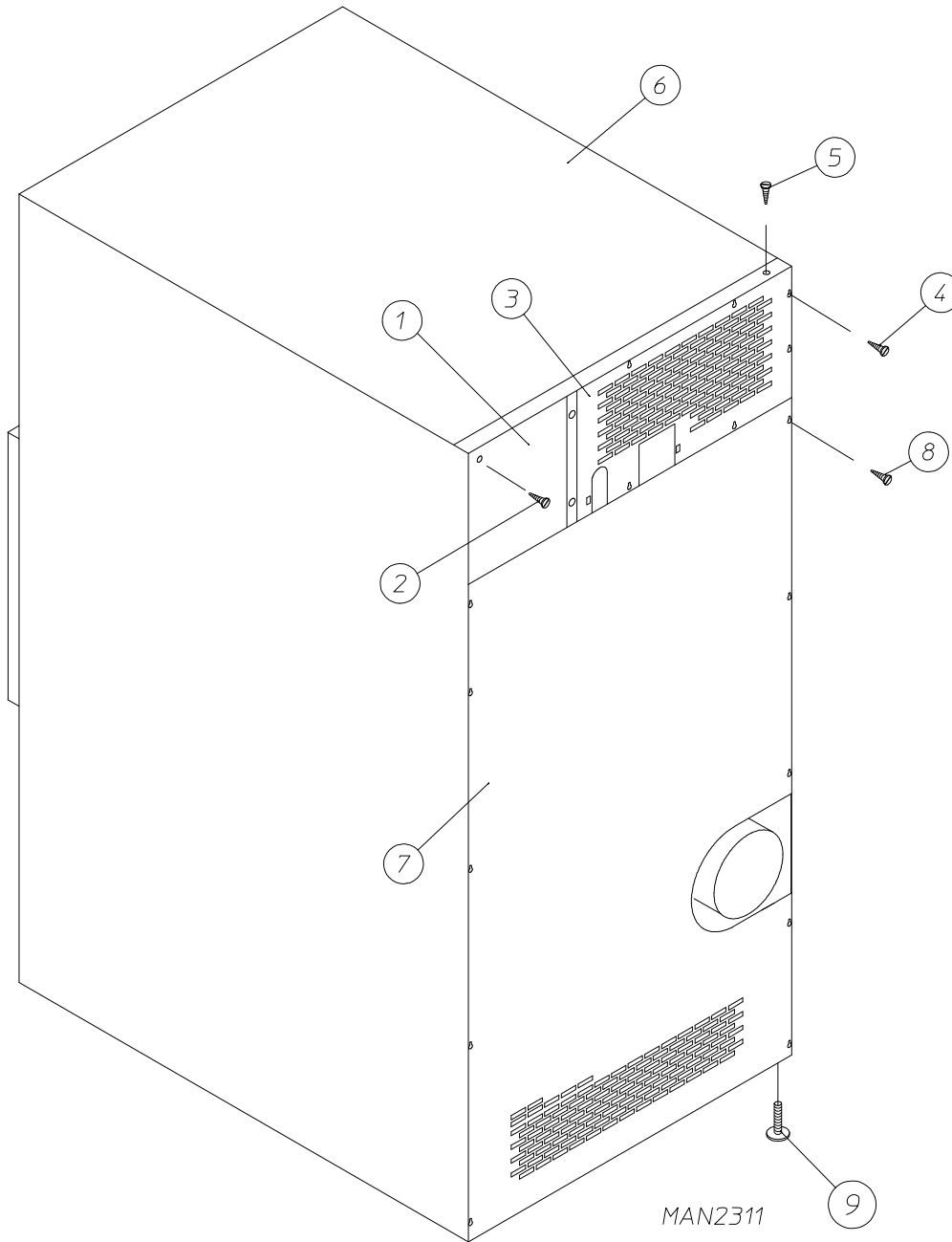


<u>Illus. No.</u>	<u>Part No.</u>	<u>Qty.</u>	<u>Description</u>
1	822752	1	Sensor Activated Fire Extinguishing (S.A.F.E.) System Temperature Probe Assembly (includes illus. nos. 1 through 5)
2	154007	2	Push On Fastener
3	390390	1	Sensor Bracket ONLY
4	150301	2	#8-18 x 7/16" Phillips Pan Head TEK Screw
5	122643	2	Pins
	122647	1	Connector ONLY...Not Illustrated (does not include pins)



<u>Illus. No.</u>	<u>Part No.</u>	<u>Qty.</u>	<u>Description</u>
1	165114	1	Sensor Activated Fire Extinguishing (S.A.F.E.) System Solenoid Valve 24V 50/60 Hz
2	143220	1	3/8" F.P.T. Brass Tee
3	143251	1	3/8" M.P.T. Brass Plug
4	143208	2	3/8" Comp x 3/8" M.P.T. Brass Connector
5	143099*	6'	3/8" OD x 0.035 Wall Copper Tubing
6	311588	1	Sprinkler Head Mounting Plate
7	143303	1	3/8" N.P.T. Brass Lock Nut
8	143155	1	3/8" Brass Elbow 90°
9	150430	2	#10 x 1/2" Self Drilling Screw
10	150301	2	#8-18 x 7/16" Phillips Pan Head TEK Screw
11	143581	1	3 GPM 3/8" F.P.T. Spray Nozzle
12	142888	1	1/2" to 3/8" Bushing for Sensor Activated Fire Extinguishing (S.A.F.E.) System Valve
13	824828	1	Arc Suppressor

* Sold by the foot.



<u>Illus. No.</u>	<u>Part No.</u>	<u>Qty.</u>	<u>Description</u>
1	323749	1	Rear Electrical Box Cover (10-13/16" x 9-3/4")
2	150301	6	#8-18 x 7/16" Phillips Pan Head TEK Screw
3	323759	1	Top Back Guard Assembly (26-7/8" x 13-15/16") for Gas Models ONLY
4	150301	6	#8-18 x 7/16" Phillips Pan Head TEK Screw
5	150301	8	#8-18 x 7/16" Phillips Pan Head TEK Screw
6	312527	1	Outer Top Assembly (for gas models Only)
7	314511	1	Lower Back Guard
8	150301	10	#8-18 x 7/16" Phillips Pan Head TEK Screw
9	103500	4	Leveling Leg

<u>Part No.</u>	<u>Description</u>
112280	“Clean Lint Screen” Label
112519	“Routine Maintenance Schedule” Label
114001	“CAUTION - Exhaust/Lint Screen” Label
114006	“WARNING - Fire Hazards” Label
120100	3/8” Straight (BX) Connector
120300	3/8” x 45° (BX) Connector
120400	3/8” Red Jacket (BX) Insulator
120500	3/8” Jiffy Clip (BX) Retainer Clip
120600	3/8” Greenfield (BX)
120800	1/4” In-Line Connector
120802	Red Butt Connector
122804	Manometer (hydro gauge) for Measuring Gas Pressure
120902	#74B Wire Nut
120903	Crimp-On Wire Nut
121014	1/4” Insulated (female) Terminal
121499	5-1/2” Wire Tie
121500	8” Harness Tie
121503	Harness Tie Mounting Clip
404502	White Brush-In-Cap Bottle Touch-Up Paint
882458	Basket (tumbler) Bearing Puller

