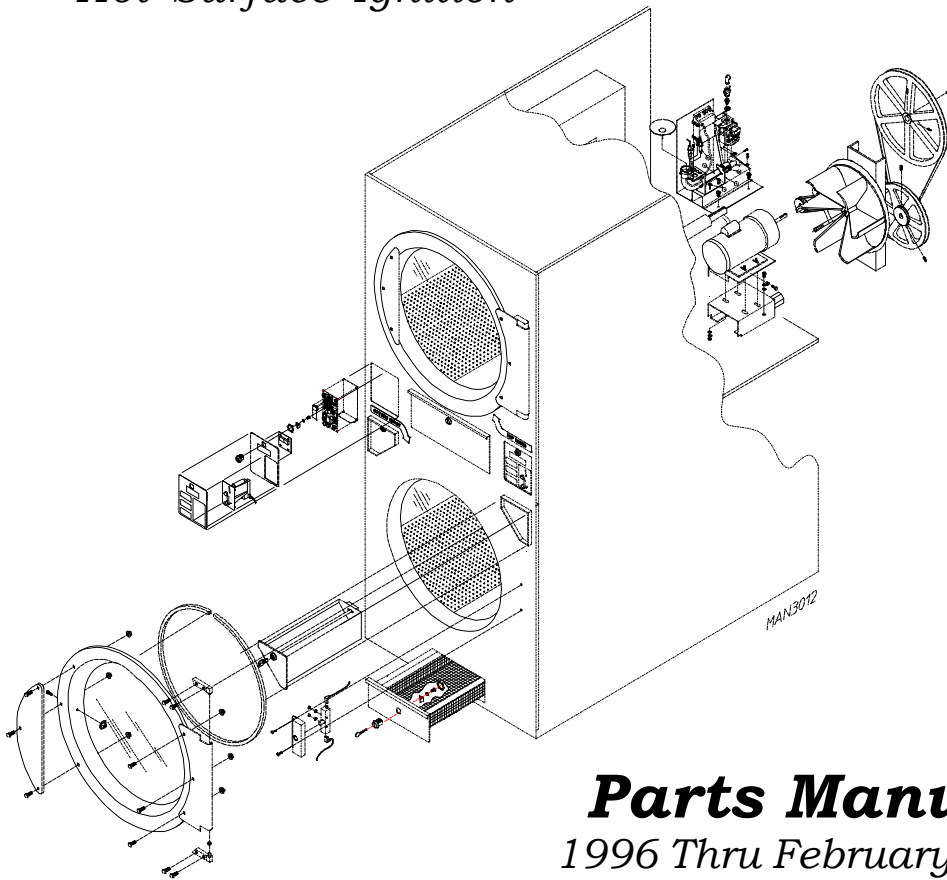




ADG-530HS/WDA-530

Hot Surface Ignition



Parts Manual

1996 Thru February 1999

American Dryer Corporation
88 Currant Road
Fall River, MA 02720-4781
Telephone: (508) 678-9000 / Fax: (508) 678-9447
e-mail: techsupport@amdry.com

Retain This Manual In A Safe Place For Future Reference

American Dryer Corporation products embody advanced concepts in engineering, design, and safety. If this product is properly maintained, it will provide many years of safe, efficient, and trouble-free operation.

ONLY qualified technicians should service this equipment.

OBSERVE ALL SAFETY PRECAUTIONS displayed on the equipment or specified in the installation/operator's manual included with the dryer.

The following “**FOR YOUR SAFETY**” caution **must be** posted near the dryer in a prominent location.

FOR YOUR SAFETY

Do not store or use gasoline or other flammable vapors or liquids in the vicinity of this or any other appliance.

POUR VOTRE SÉCURITÉ

Ne pas entreposer ni utiliser d'essence ni d'autres vapeurs ou liquides inflammables dans le voisinage de cet appareil ou de tout autre appareil.

We have tried to make this manual as complete as possible and hope you will find it useful. **ADC** reserves the right to make changes from time to time, without notice or obligation, in prices, specifications, colors, and material, and to change or discontinue models.

Important

For your convenience, log the following information:

DATE OF PURCHASE _____ MODEL NO. _____

DISTRIBUTORS NAME _____

Serial Number(s) _____

Replacement parts can be obtained from your distributor or the **ADC** factory. When ordering replacement parts from the factory, you can FAX your order to **ADC** at (508) 678-9447 or telephone your orders directly to the **ADC** Parts Department at (508) 678-9000. Please specify the dryer **model number** and **serial number** in addition to the **description** and **part number**, so that your order is processed accurately and promptly.

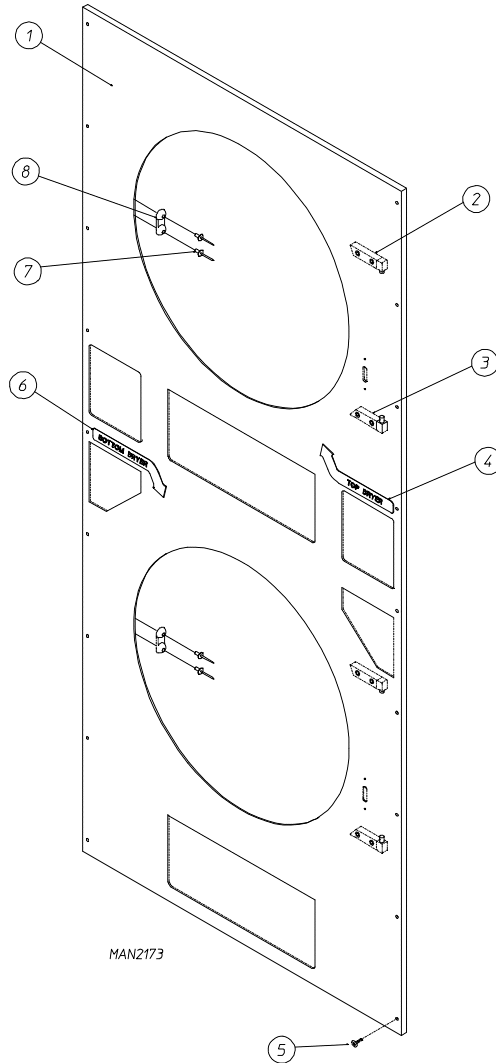
The illustrations on the following pages may not depict your particular dryer exactly. The illustrations are a composite from the various dryer models. Be sure to check descriptions of the parts thoroughly before ordering.

“IMPORTANT NOTE TO PURCHASER”

Information must be obtained from your local gas supplier on the instructions to be followed if the user smells gas. These instructions must be posted in a prominent location near the dryer.

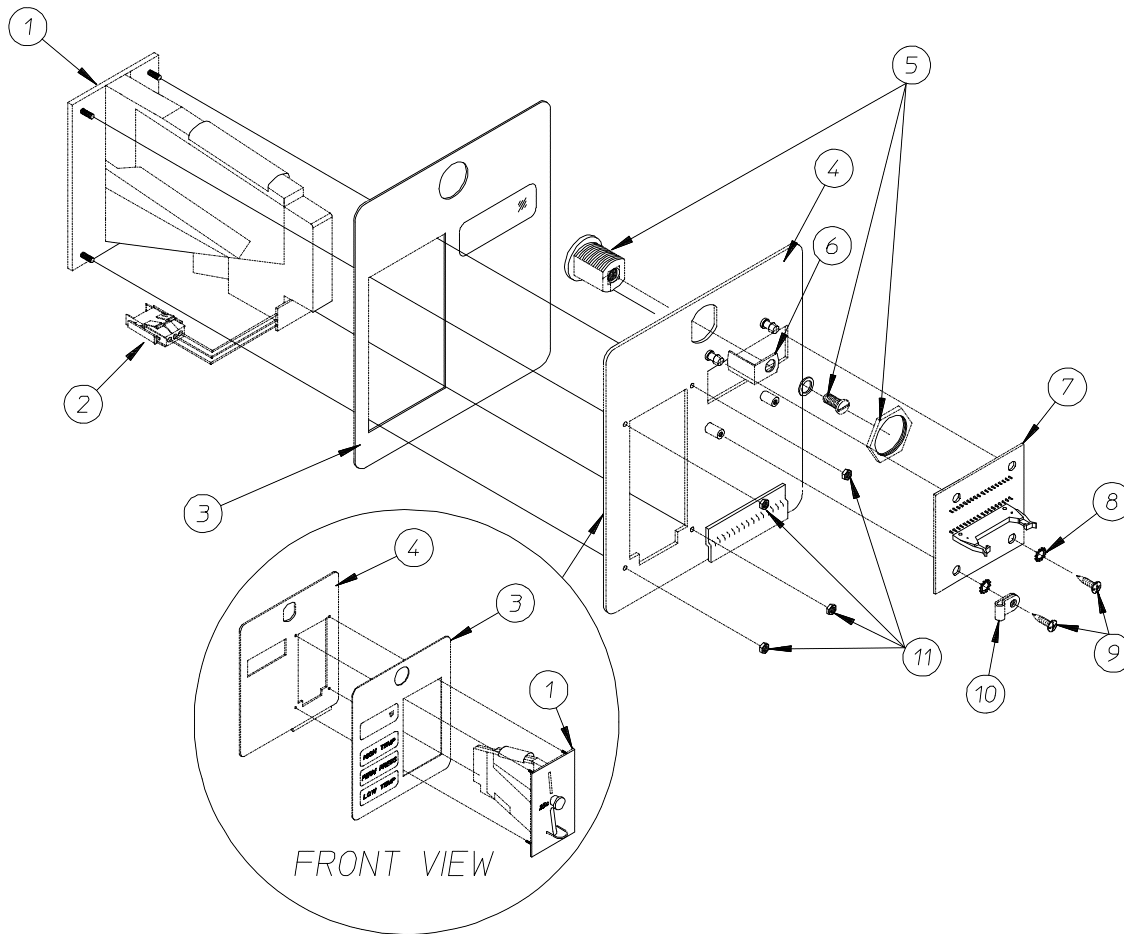
Table of Contents

Front Panel Assembly	3
Left Coin Panel Assembly	4
Right Coin Panel Assembly	5
Microprocessor 2-Piece (Computer) Panel Coin Chute Assembly	6
Coin Box/Vault Assembly (Left and Right)	7
Main Door “Steel” Assembly	8, 9
Main Door Switch Assembly	10
Lint Drawer/Basket Assembly III	11
Tumbler (Basket)/Support Assemblies	12
Microprocessor Temperature Sensor Bracket Assembly	13
Lint Drawer/Switch Assembly IV	14
Lint Drawer/Switch Assembly III	15
Rear Electrical Panel Assembly	16, 17
Tumbler Bearing Mount Assembly	18, 19
Sail Switch Assembly	20
Burner Hi-Limit Assembly	21
Burner Train Assembly	22, 23
Drive Motor Mount Assembly (for 60 Hz Models)	24, 25
Fan (Impellor)/Idler Bearing Assembly (for 60 Hz Models)	26, 27
Drive and Idler Belts/Pulleys (for 60 Hz Models)	28
Exhaust Duct Assembly	29
Rear Guard Assemblies	30
Additional Parts Available	31



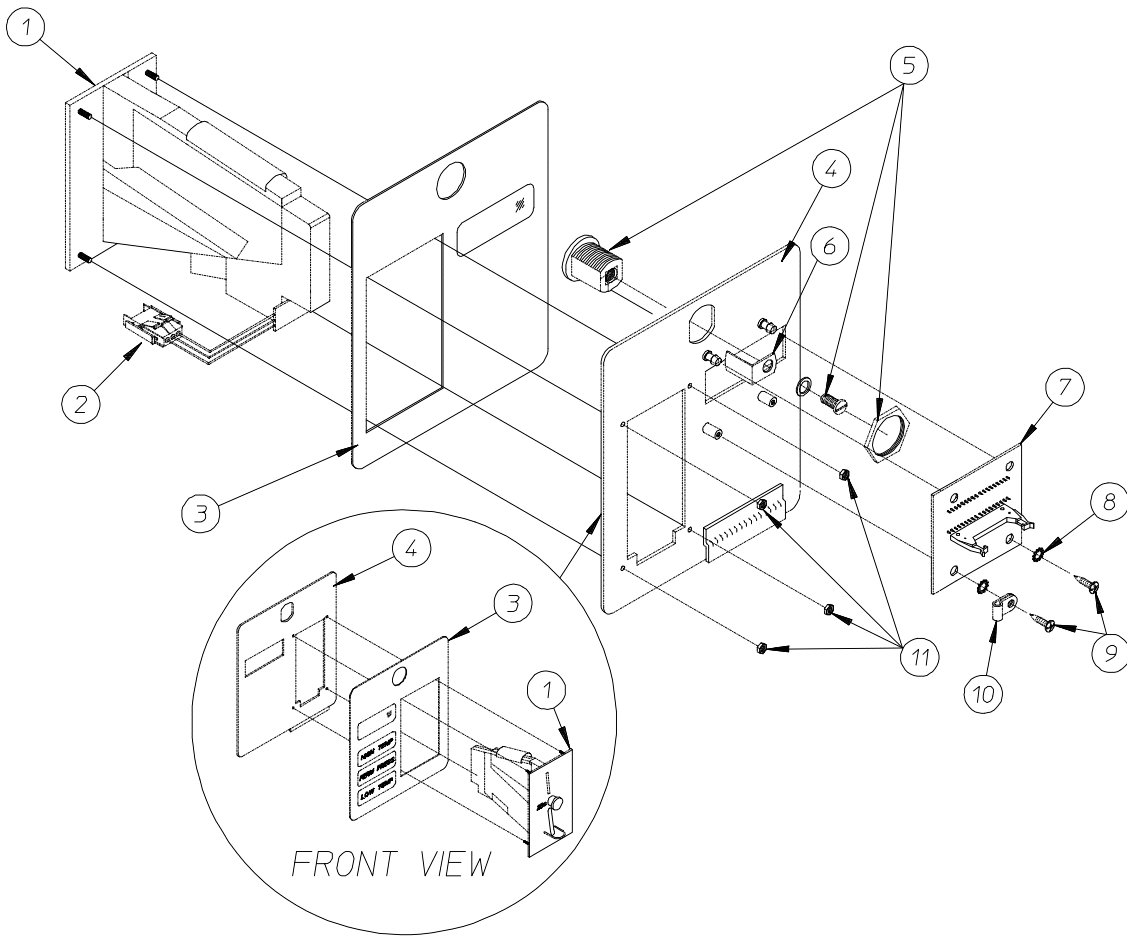
<u>Illus. No.</u>	<u>Part No.</u>	<u>Qty.</u>	<u>Description</u>
1	881471*	1	Right Hand Textured Front Panel Assembly (includes illus. nos. 1, 7, and 8)
	881472	1	Right Hand Stainless Steel Front Panel Assembly (includes illus. nos. 1, 7, and 8)
	881473*	1	Right Hand Front Panel Assembly (includes illus. nos. 1, 7, and 8)
2	-----	1	Top Hinge Block Assembly (refer to page 8 and page 9)
3	-----	1	Bottom Hinge Block Assembly (refer to page 8 and page 9)
4	112227	1	Top Arrow Label (Red)
5	150309	24	#10-16 x 1/2" Hex Head TEK Crimptite Screw
6	112226	1	Bottom Arrow Label (Blue)
7	154215	4	5/32" Pop Rivet
8	170330	2	Friction Door Catch

* Specify color when ordering.



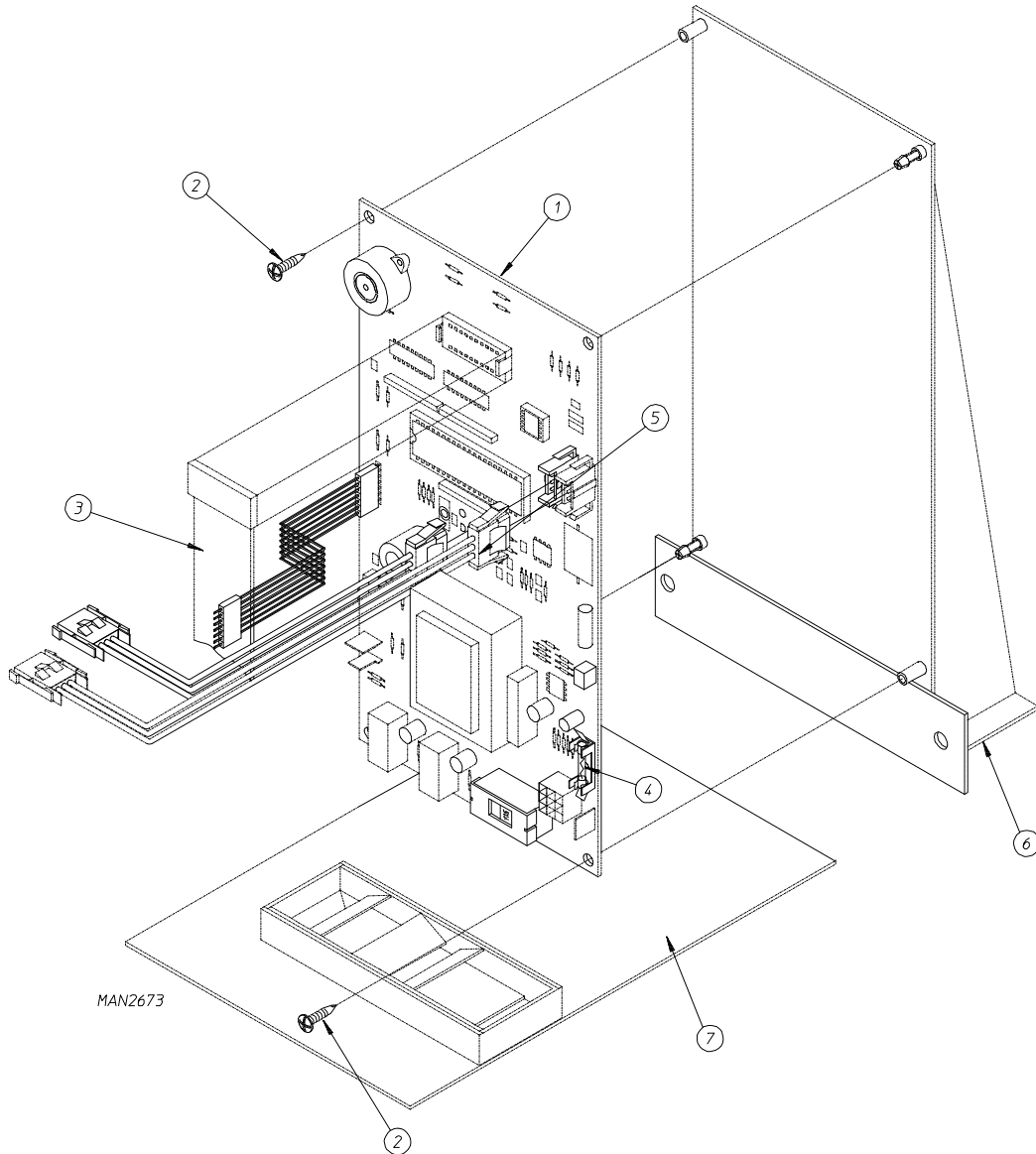
MAN2267

<u>Illus. No.</u>	<u>Part No.</u>	<u>Qty.</u>	<u>Description</u>
1	881163	1	25¢ U.S. Hanke Coin Acceptor Assembly with Optic Switch
	881450	1	25¢ Canadian Hanke Coin Acceptor with Optic Switch
	881451	1	.880 Token Hanke Coin Acceptor with Optic Switch
2	881143	1	Hanke Optic Switch w/Connector
3	112564	1	Left Keypad (Blue)
4	881160	1	Coin Panel ONLY
	881161	1	Left Coin Panel with Label (includes illus. nos, 3, 4, 8, and 9)
5	160029	1	Lock (keyed NO530) ONLY with Key
	160129	1	NO530 Key ONLY
6	160028	1	Lock Cam ONLY
7	137098	1	Display Board
	137104	1	Display Board Ribbon Cable Assembly ... Not Illustrated
8	153010	2	#6 Star Washer
9	150005	2	#6-32 x 1/4" Phillips Round Head Machine Screw
10	120906	1	1/8" Wire Clip
11	152102	4	M3 Metric Hex Nut

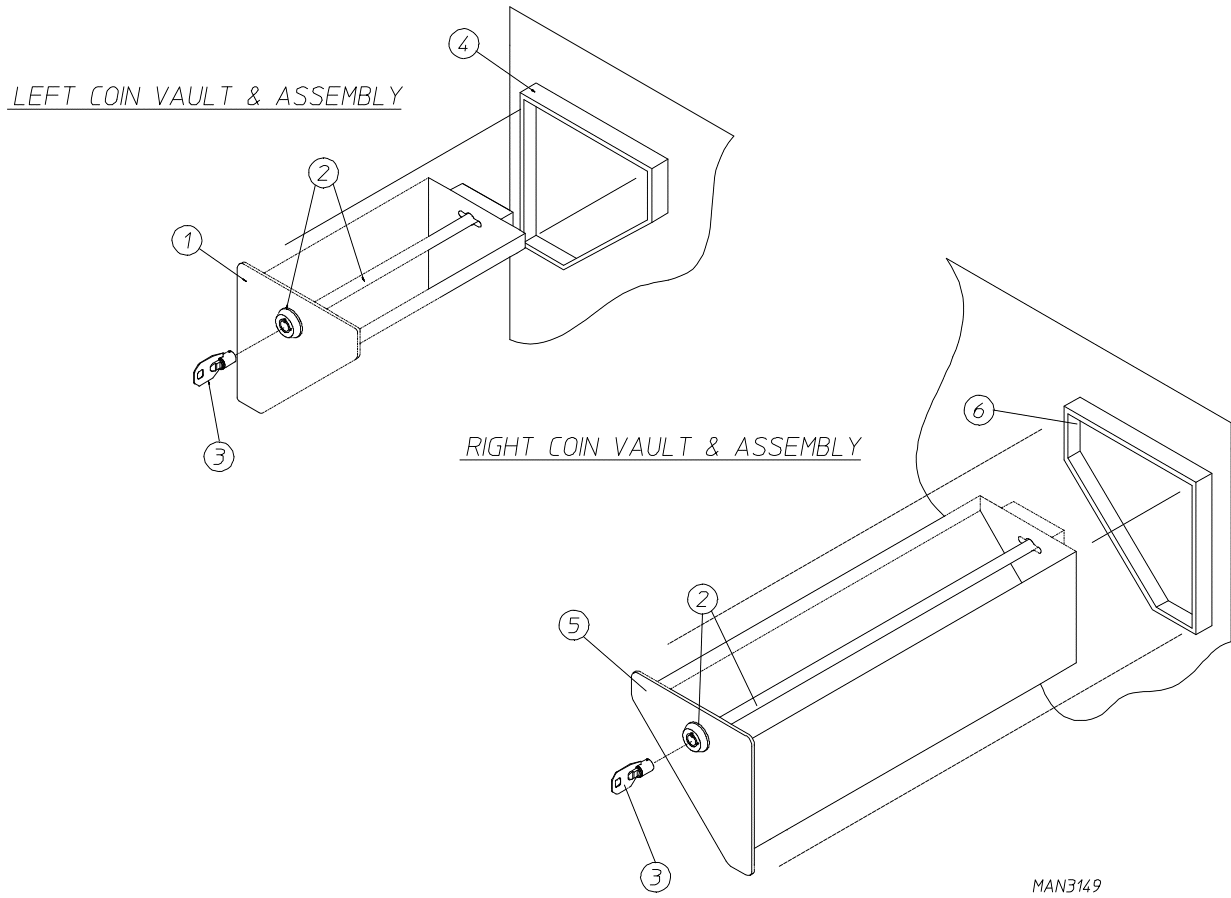


MAN2267

<u>Illus. No.</u>	<u>Part No.</u>	<u>Qty.</u>	<u>Description</u>
1	881163	1	25¢ U.S. Hanke Coin Acceptor Assembly with Optic Switch
	881450	1	25¢ Canadian Hanke Coin Acceptor with Optic Switch
	881451	1	.880 Token Hanke Coin Acceptor with Optic Switch
2	881143	1	Hanke Optic Switch w/Connector
3	112565	1	Right Keypad (Red)
4	881160	1	Coin Panel ONLY
	881162	1	Right Coin Panel with Label (includes illus. nos, 3, 4, 8, and 9)
5	160029	1	Lock (keyed NO530) ONLY with Key
	160129	1	NO530 Key ONLY
6	160028	1	Lock Cam ONLY
7	137098	1	Display Board
	137104	1	Display Board Ribbon Cable Assembly ... Not Illustrated
8	153010	2	#6 Star Washer
9	150005	2	#6-32 x 1/4" Phillips Round Head Machine Screw
10	120906	1	1/8" Wire Clip
11	152102	4	M3 Metric Hex Nut

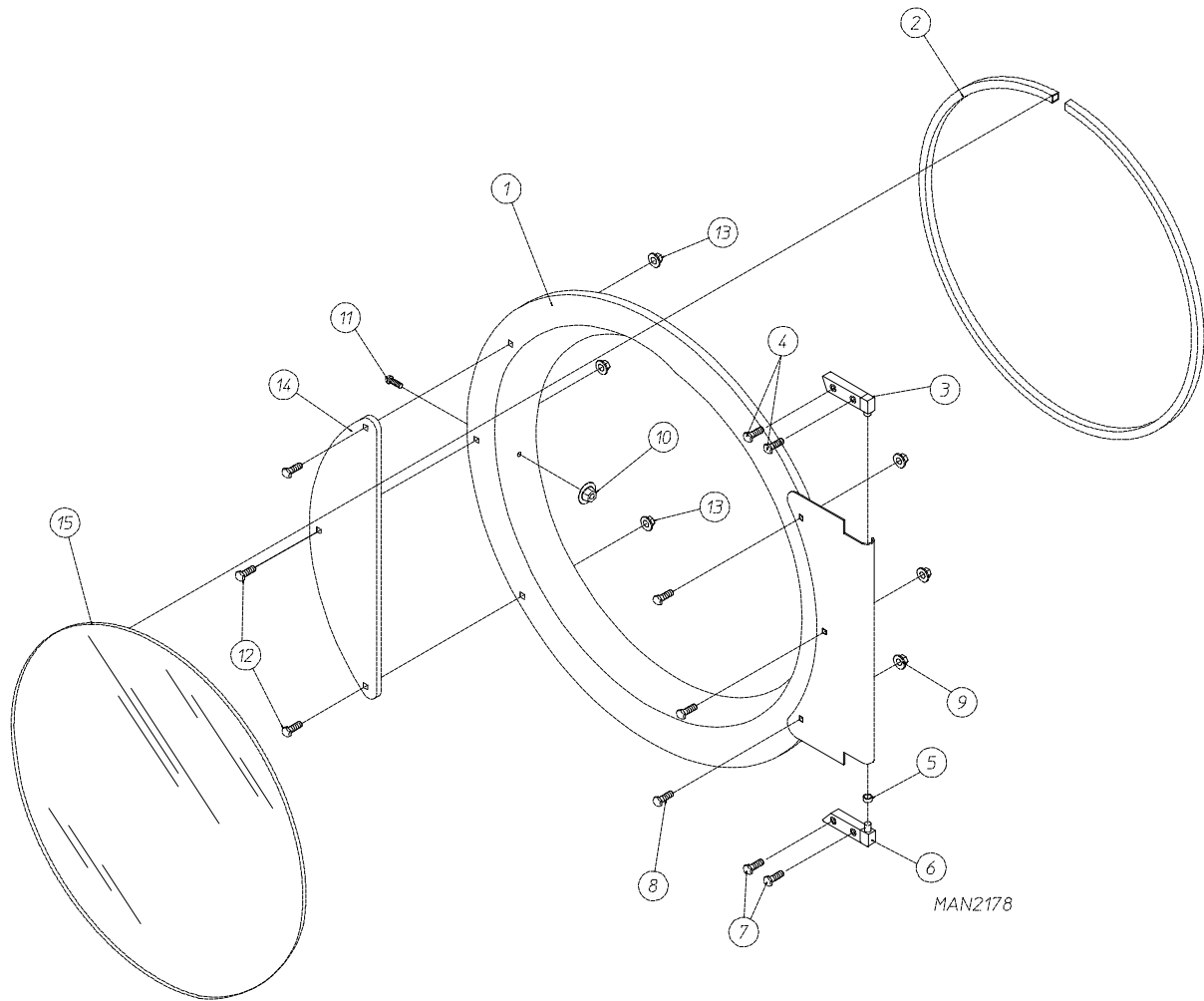


<u>Illus. No.</u>	<u>Part No.</u>	<u>Qty.</u>	<u>Description</u>
1	137103	1	Phase 5 Microprocessor Controller (computer)
2	150005	2	#6-32 x 1/4" Phillips Round Head Machine Screw
3	137104	1	Ribbon Cable Assembly
4	136048	1	1/8-Amp (Slo Blo) Fuse ONLY
5	853071	1 or 2	Optic Switch Harness
6	853171	1	Computer Panel II
	853170	1	Computer Panel Mounting Plate ... Not Illustrated
7	881484	1	2-Piece 8" Coin Chute Assembly V

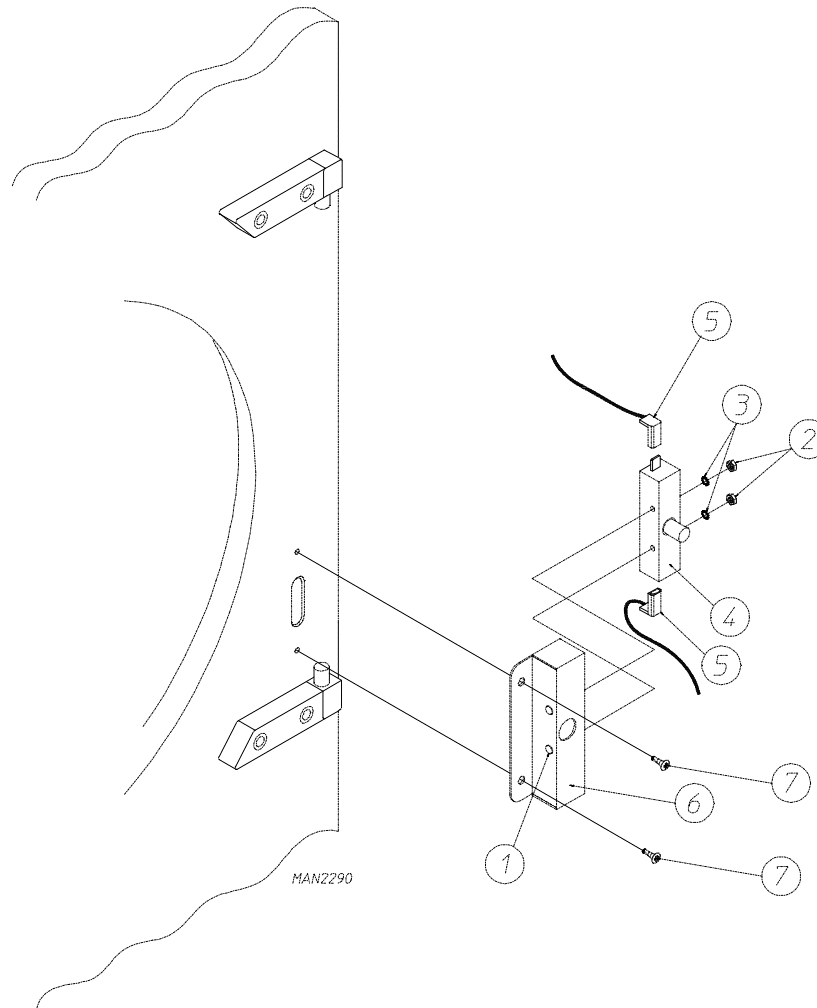


<u>Illus. No.</u>	<u>Part No.</u>	<u>Qty.</u>	<u>Description</u>
1	881174	1	Left / Right Coin Box Face Plate ONLY (Black)
	881476	1	Left Coin Box with Black Face Plate Only (less Lock)
2	881474	1	Coin Box Lock Kit (includes 2 Locks with keys "keyed alike")
3*	160136	1	Coin Box Lock Key ONLY
4	881477	1	Left Coin Vault ONLY (Black)
5	881174	1	Left/Right Coin Box Face Plate ONLY (Black)
	881167	1	Right Coin Box with Black Face Plate ONLY (less Lock)
6	881179	1	Right Coin Vault ONLY (Black)

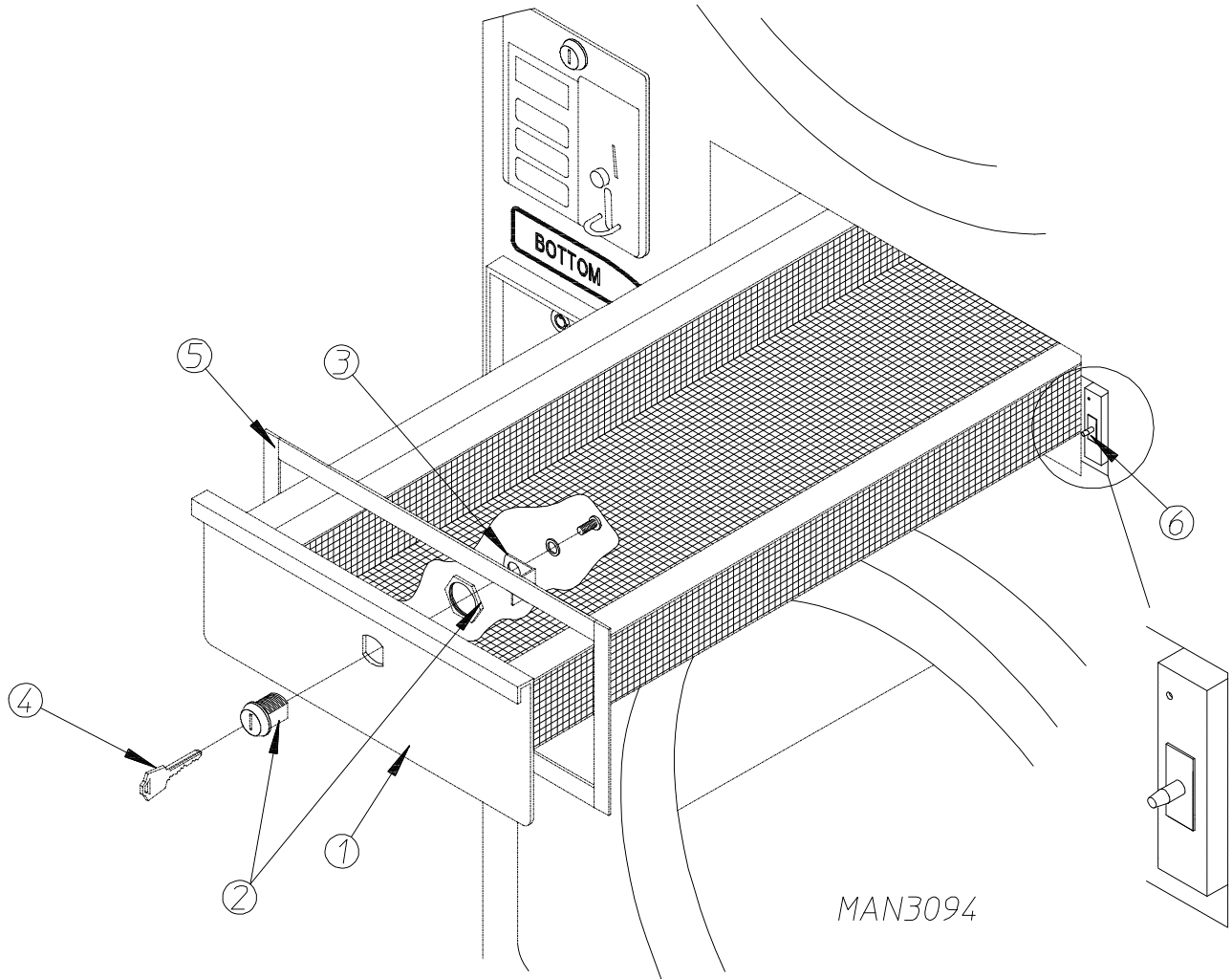
* Specify key number when ordering.



<u>Illus. No.</u>	<u>Part No.</u>	<u>Qty.</u>	<u>Description</u>
1	881150	1	Black Main Door Assembly Complete (includes illus. nos. 1, 2, and 8 through 15)
	881207	1	Stainless Steel Main Door Assembly Complete (includes illus. 1, 2, and 8 through 15)
2	102354	1	Door Gasket
	170730	1	Glass/Gasket Adhesive (Clear) 10.3 oz. cartridge
	170731	1	Glass/Gasket Adhesive (Black) 10.3 oz. cartridge
3	881152	1	Top Hinge Block Assembly (Black) (includes illus. nos. 3 and 4)
	881208	1	Stainless Steel Top Hinge Block Assembly (includes illus. nos. 3 and 4)
4	150445	2	1/4-20 x 3/4" Black Cap Head Set Screw
	150443	2	1/4-20 x 3/4" Stainless Steel Cap Head Set Screw
5	153031	1	1/4" Nylon Washer
6	881151	1	Bottom Hinge Block Assembly (Black) (includes illus. nos. 5, 6, and 7)
	881209	1	Stainless Steel Bottom Hinge Block Assembly (includes illus. nos. 5, 6, and 7)
7	150445	2	1/4-20 x 3/4" Black Cap Head Set Screw
	150443	2	1/4-20 x 3/4" Stainless Steel Cap Head Set Screw
8	150683	3	1/4-20 x 5/8" Black Carriage Bolt
	150682	3	1/4-20 x 5/8" Polished Carriage Bolt (for models with Stainless Steel Door)
9	152014	3	1/2-20 Free Spin Wash Nut
10	151010	1	#10-32 Black Hex Acorn Nut
	151009	1	#10-32 Stainless Steel Hex Acorn Nut
11	150120	1	Door Latch Screw
12	150683	3	1/4-20 x 5/8" Black Carriage Bolt
	150682	3	1/4-20 x 5/8" Polished Carriage Bolt (for models with Stainless Steel Doors)
13	152014	3	1/2-20 Free Spin Wash Nut
14	881210	1	Black Main Door Handle ONLY
	170333	1	Stainless Steel Main Door Handle ONLY
15	102211	1	20-7/16" Door Glass
	170730	1	Glass/Gasket Adhesive (Clear) 10.3 oz. cartridge
	170731	1	Glass/Gasket Adhesive (Black) 10.3 oz. cartridge



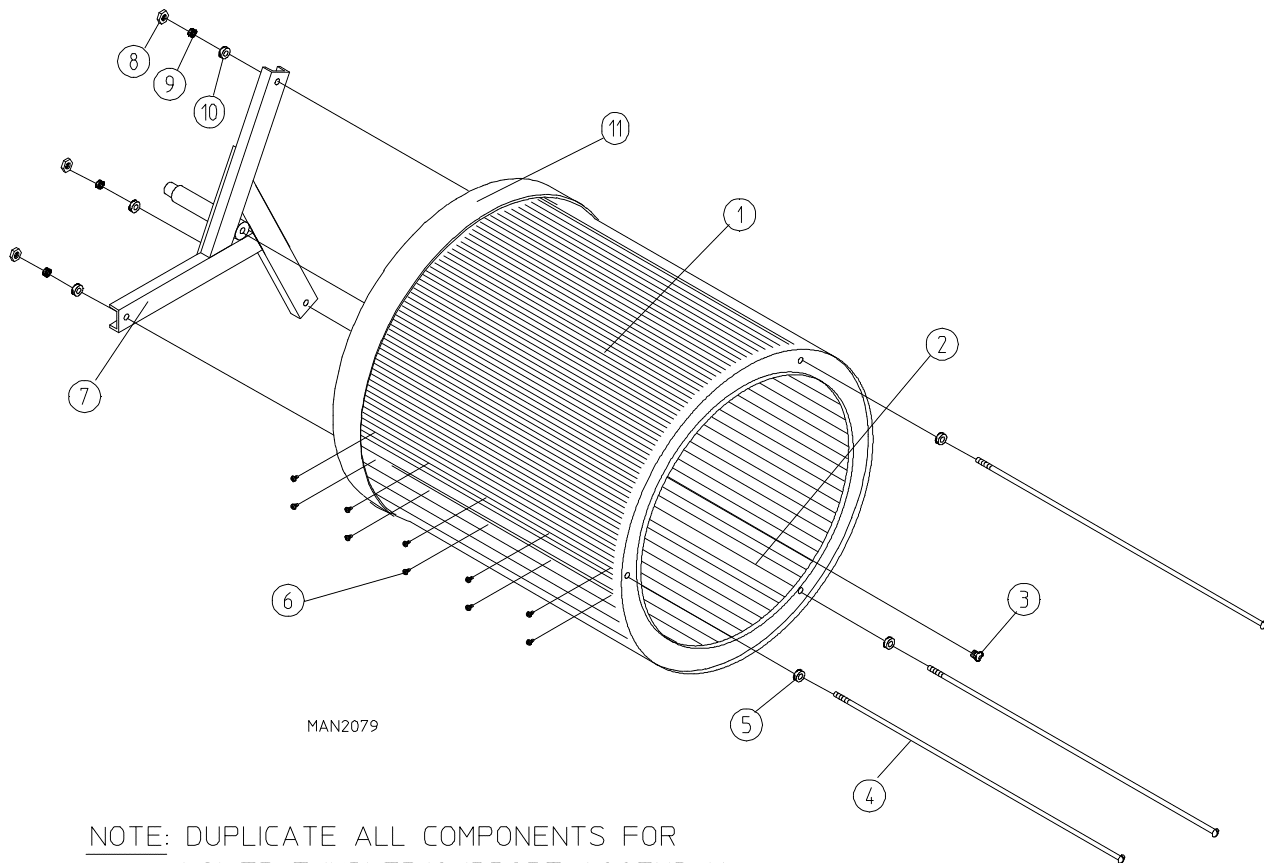
<u>Illus. No.</u>	<u>Part No.</u>	<u>Qty.</u>	<u>Description</u>
1	150006	2	#6-32 x 7/8" Phillips Pan Head Machine Screw
2	152013	2	#6-32 Hex Nut
3	153010	2	#6 Star Washer
4	137005	1	Door Switch ONLY
5	122636	2	Flag Terminal
6	881211	1	Black Main Door Switch Housing ONLY
	881212	1	Beige Main Door Switch Housing ONLY
	881213	1	White Main Door Switch Housing ONLY
	881214	1	Blue Main Door Switch Housing ONLY
	881153	1	Black Main Door Switch Housing Complete (includes illus. nos. 1, 2, 3, 4, and 6)
	881215	1	Beige Main Door Switch Housing Complete (includes illus. nos. 1, 2, 3, 4, and 6)
	881216	1	White Main Door Switch Housing Complete (includes illus. nos. 1, 2, 3, 4, and 6)
	881217	1	Blue Main Door Switch Housing Complete (includes illus. nos. 1, 2, 3, 4, and 6)
7	150301	2	#8-18 x 7/16" Phillips Pan Head TEK Screw



MAN3094

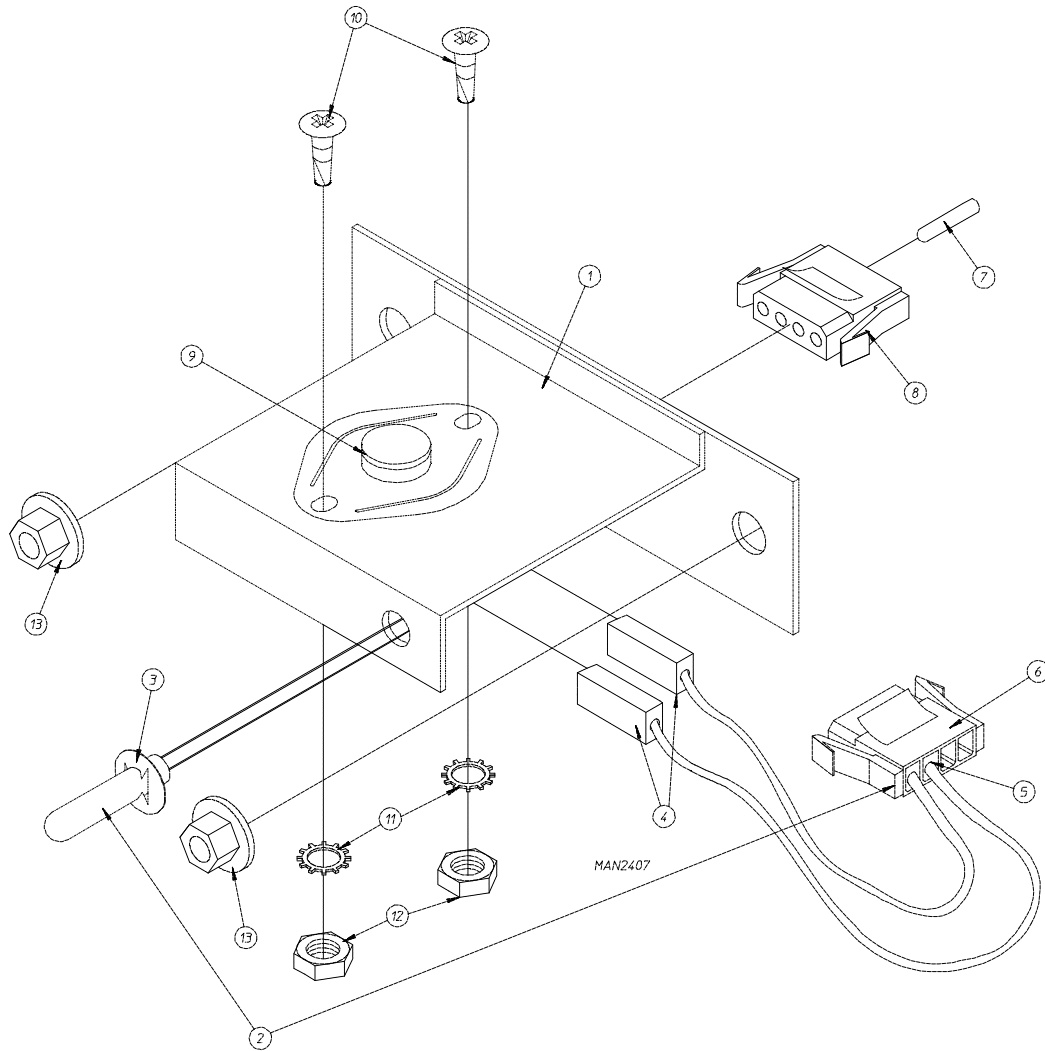
<u>Illus. No.</u>	<u>Part No.</u>	<u>Qty.</u>	<u>Description</u>
1	881467*	1	Textured Lint Drawer Assembly III (Less Lock and Logo)
	881466	1	Stainless Steel Lint Drawer Assembly III (Less Lock and Logo)
	881468*	1	Lint Drawer Assembly III (Less Lock and Logo)
	112346	1	Wasco Dry Logo ... Not Illustrated
2	160015	1	MK-100 Lock with key (less cam)
3	160031	1	Cam Only (90° Bend)
4	160104	1	MK-100 Key ONLY
5	117604	4	Neoprene Sponge Tape (sold by the foot) For models mfd. as of July 13, 1998
	117600	4	Noise Suppressor Tape (sold by the foot) For models mfd. prior to July 13, 1998
6	-----	1	Lint Drawer Switch (refer to Lint Drawer Switch Assembly IV on <u>page 14</u>) (refer to Lint Drawer Switch Assembly III on <u>page 15</u>)

* Specify color when ordering.

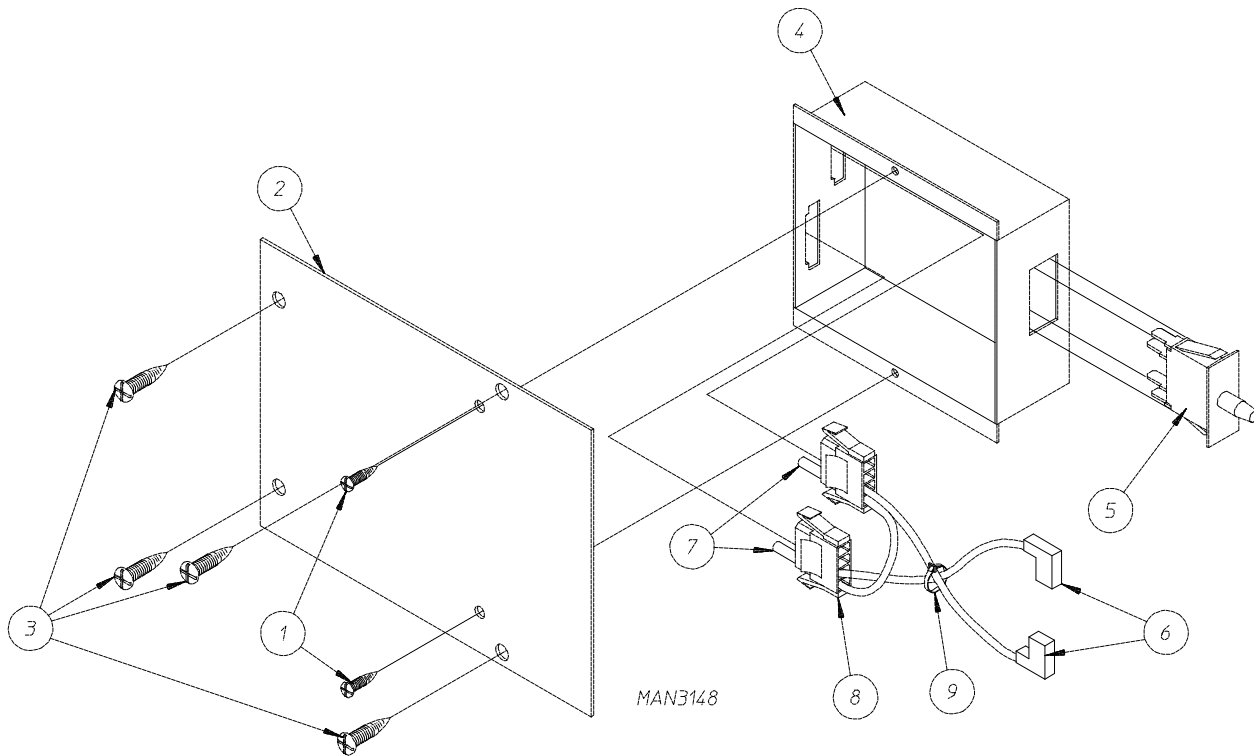


Illus. No.	Part No.	Qty.	Description
1	800831	1	Galvanized Tumbler (Basket)/Support Assembly Complete with Felt Collar (includes illus. nos. 1 through 11)
	800721*	1	Galvanized Tumbler (Basket) ONLY
	800891	1	Stainless Steel Tumbler (Basket)/Support Assembly Complete with Felt Collar (includes illus. nos. 1 through 11)
	800841*	1	Stainless Steel Tumbler (Basket) ONLY
2	301315	2	Short Galvanized Tumbler (Basket) Rib ONLY
	301316	1	Tall Galvanized Tumbler (Basket) Rib ONLY
	301414	2	Short Stainless Steel Tumbler (Basket) Rib ONLY
	301415	1	Tall Stainless Steel Tumbler (Basket) Rib ONLY
3	150518	1	5/16-18 x 3/8" Socket Button Head Screw
4	100902	3	5/16-18 x 31" Tie Rod
5	153001	3	5/16" Flat Washer
6	154210	30	5/32" Pop Rivet
7	800617	1	Tumbler (Basket) Support ONLY
8	152004	3	5/16-18 Hex Nut
9	153002	3	5/16" Lock Washer
10	153001	3	5/16" Flat Washer
11	116003	1	Felt Collar ONLY
	401010	1	#847 Adhesive for Felt Collar (5 oz. Tube)

* Felt Collar is not included and **must be** ordered separately.

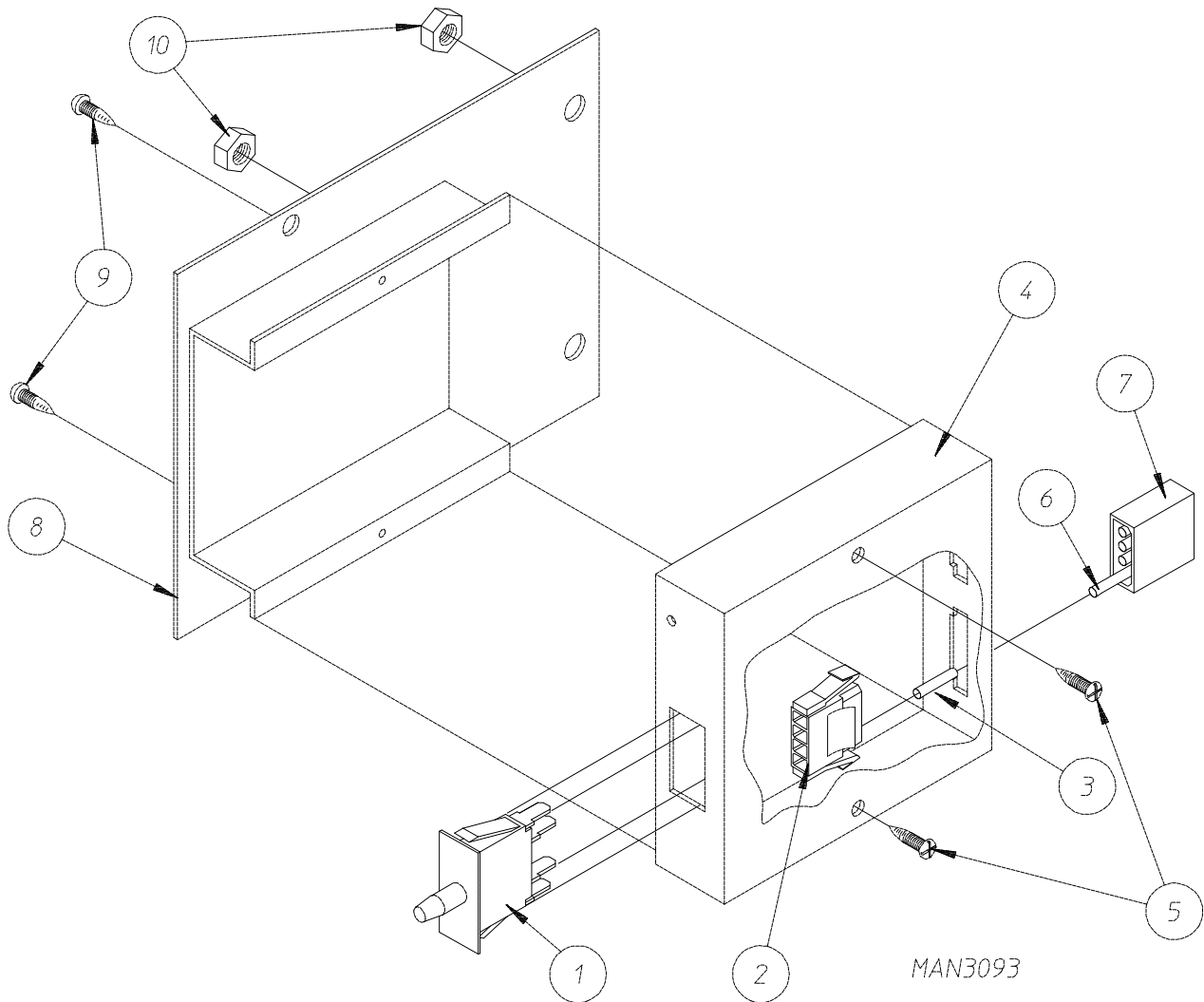


<u>Illus. No.</u>	<u>Part No.</u>	<u>Qty.</u>	<u>Description</u>
1	853021	1	Sensor Bracket ONLY
	881090	1	Microprocessor Temperature Sensor Bracket Assembly Complete (includes illus. nos. 1 through 6 and 9 through 12)
2	880251	1	Microprocessor Sensor Probe Assembly Complete (includes illus. nos. 2 through 6)
3	154007	2	1/4" Push-On Fastener
4	121028	2	1/4" Terminal
5	122701	4	Socket Terminal ONLY
	122801	1	Pin/Socket Extraction Tool
6	122605	1	4-Position Connector (Female)
7	122700	4	Pin Terminal ONLY
8	122604	1	4-Position Connector (Male)
9	130112	1	225° Thermostat ONLY
10	150005	2	#6-32 x 1/4" Phillips Round Head Machine Screw
11	153010	2	#6 Star Washer
12	152013	2	#6-32 Hex Nut
13	152014	2	1/4-20 Free Spin Wash Nut

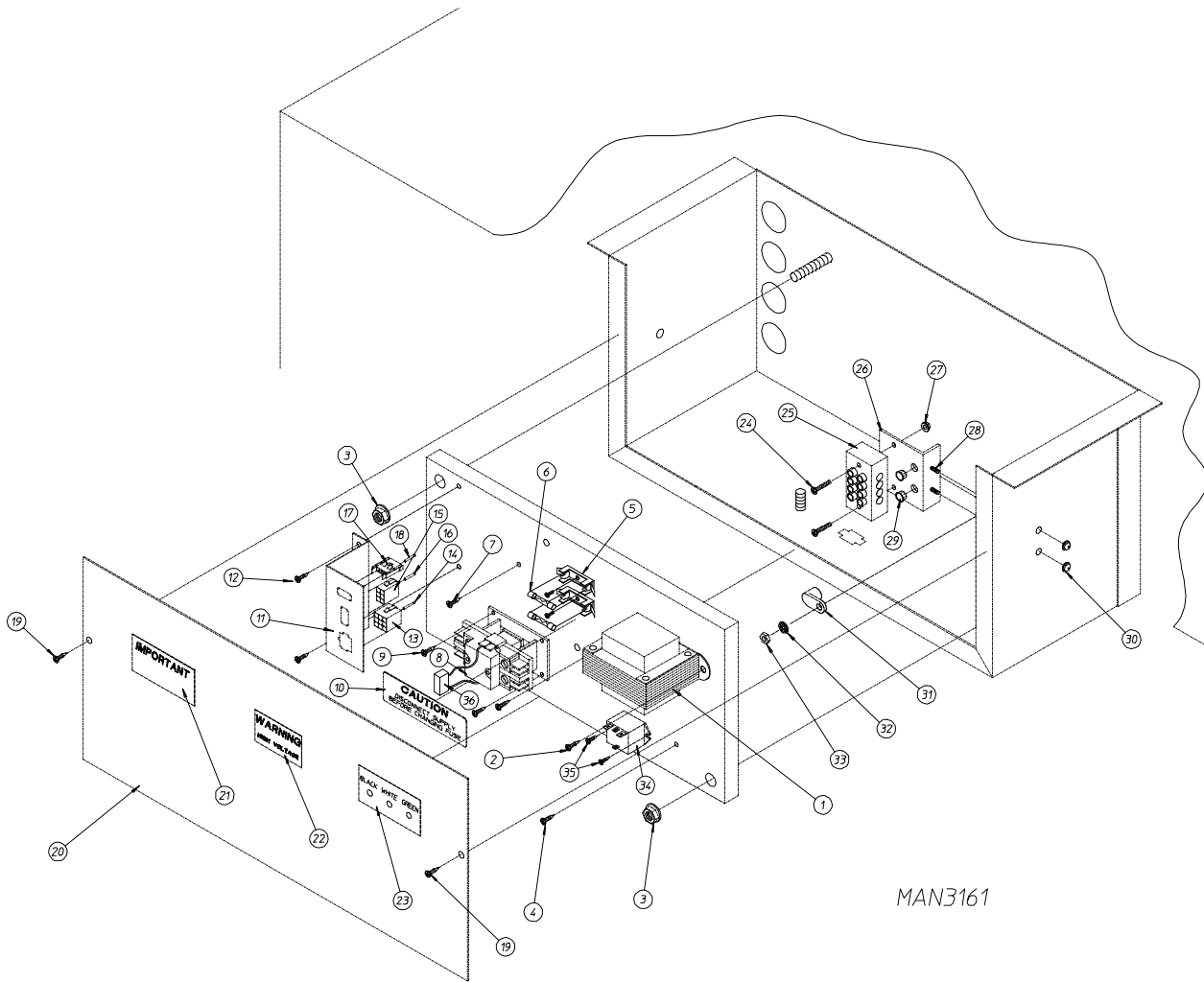


<u>Illus. No.</u>	<u>Part No.</u>	<u>Qty.</u>	<u>Description</u>
1	150301	2	#8-18 x 7/16" Phillips Pan Head TEK Screw
2	826303	1	Lint Drawer Switch Panel
3	150301	4	#8-18 x 7/16" Phillips Pan Head TEK Screw
4	353261	1	Lint Drawer Bracket
	881494	1	Lint Drawer Switch Box Assembly (Type IV) (includes illus. nos. 1, 2 and 4 through 9)
5	122116	1	Lint Drawer Switch
6	122636	2	.250 Insulated Flag Terminal
7	122701	4	M-N-L (Mate-N-Lock) Socket Terminal
8	122605	2	4-Pin Socket Connector
9	881502	1	Lint Drawer Switch Harness

for models mfd. prior to January 31, 1997



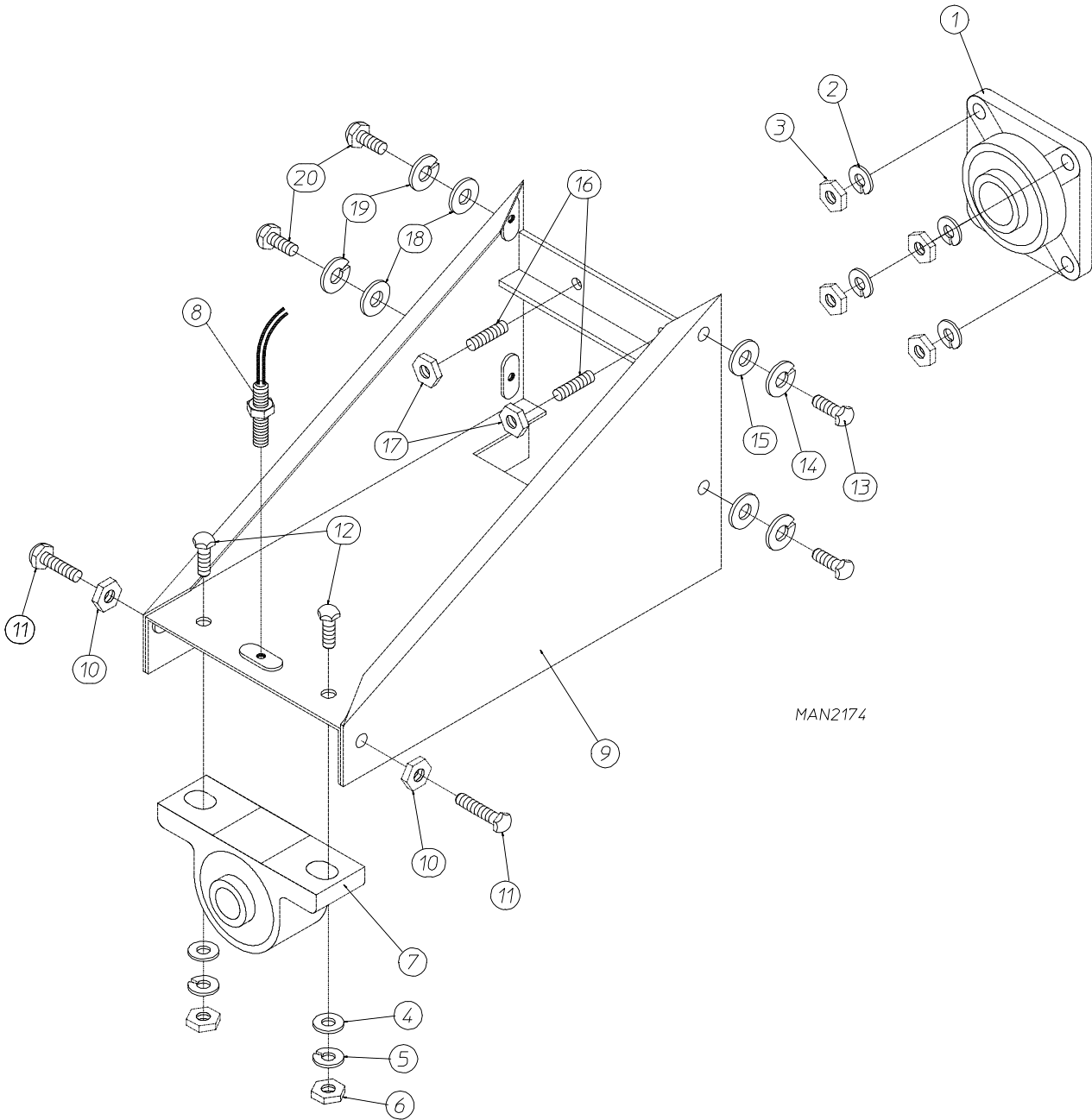
<u>Illus. No.</u>	<u>Part No.</u>	<u>Qty.</u>	<u>Description</u>
1	122116	1	Lint Drawer Switch
2	122605	2	4-Pin Socket Connector
3	122701	4	M-N-L (Mate-N-Lock) Socket
4	304034	1	Lint Drawer Switch Box Cover
	881493	1	Lint Drawer Switch Box Assembly (Type III) (includes illus. nos. 1 through 5 and 8)
5	150301	2	#8-18 x 7/16" Phillips Pan Head TEK Screw
6	122700	2	Pin Terminal ONLY
	122801	1	Pin/Socket Extraction Tool
7	122604	2	4-Pin Terminal
8	853104	1	Lint Drawer Switch Mounting Panel
9	150301	2	#8-18 x 7/16" Phillips Pan Head TEK Screw
10	152014	2	1/4-20 Free Spin Wash Nut



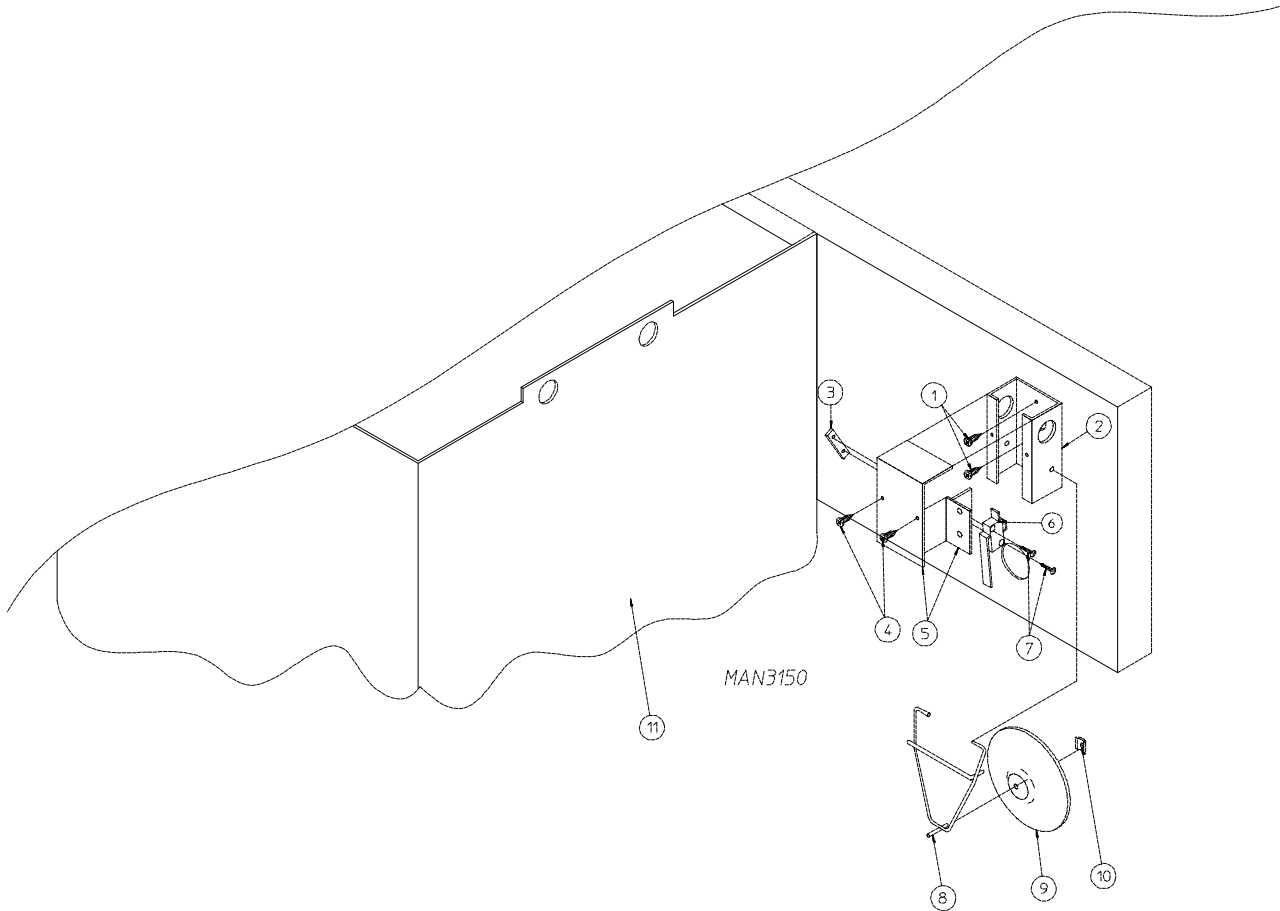
MAN3161

<u>Illus. No.</u>	<u>Part No.</u>	<u>Qty.</u>	<u>Description</u>
1	881495	1	HSI (Hot Surface Ignition) 24 VAC Transformer Kit
2	150301	2	#8-18 x 7/16" Phillips Pan Head TEK Screw
3	152014	2	1/4-20 Free Spin Wash Nut
4	150301	2	#8-18 x 7/16" Phillips Pan Head TEK Screw
5	136008	1 or 2	Fuse Block
6	136049	1 or 2	3/4-Amp (Slo Blo) Fuse
7	150301	1 or 2	#8-18 x 7/16" Phillips Pan Head TEK Screw
8	132451	1	Motor Contactor - 24 VAC
9	150301	2	#8-18 x 7/16" Phillips Pan Head TEK Screw
10	112025	1	"CAUTION - Disconnect Supply" Label
11	353161	1	Connector Bracket
12	150301	2	#8-18 x 7/16" Phillips Pan Head TEK Screw
13	122642	1	9-Pin Connector
14	122643	8	M-N-L (Mate-N-Lock) Pin
15	122645	1	6-Pin Connector
16	122643	6	M-N-L (Mate-N-Lock) Pin
17	122645	1	4-Pin Connector
18	122643	4	Mate-N-Lock Pin
19	150301	2	#8-18 x 7/16" Phillips Pan Head TEK Screw
20	353153	1	Rear Electrical Box Cover
21	112046	1	"Computer Ground" Label
22	112014	1	"High Voltage" Label
23	112039	1	"Black/White/Green Ground" Label
24*	150008	2	#6-32 x 1-1/4" Round Head Machine Screw
25*	120701	1	4-Position Terminal Block
26*	881222	1	Power Distribution Block Mounting Bracket
27*	151000	2	#6-32 Pal Nut
28*	153528	2	#8-32 x 1/2" Clinch Stud
29*	121300	2	Bushing
30*	152001	2	#8-32 Hex Nut
31	121010	1	L-70 Ground Lug
32	153007	1	1/4" Lock Washer
33	152002	1	1/4"-20 Hex Nut
34	131814	1	Relay (for use on 120 VAC Models Only)
	131815	1	Relay (for use on 240 VAC Models Only)
35	150301	2	#8-18 x 7/16" Phillips Pan Head TEK Screw
36	824828	1	R.C. Network

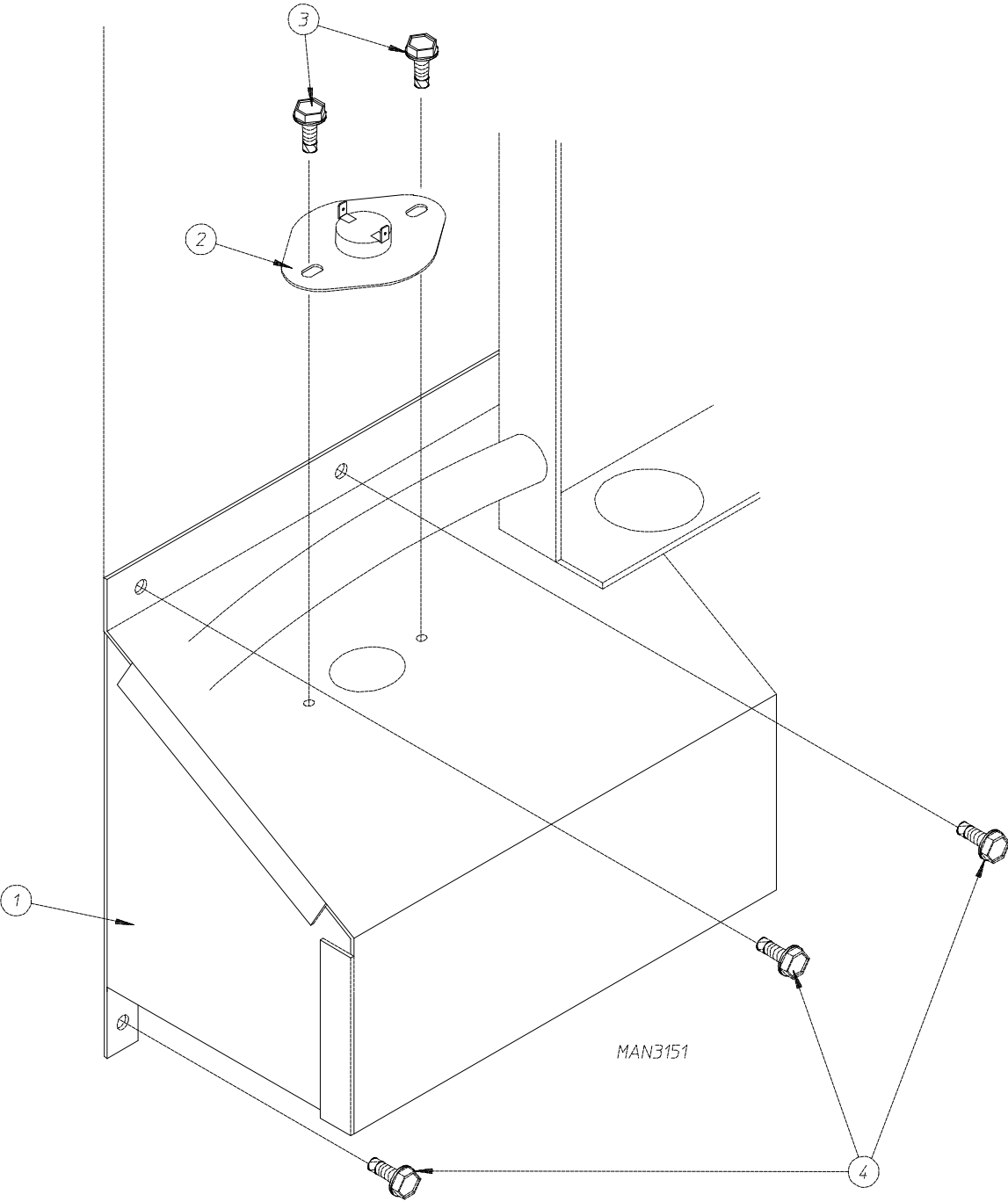
* For use on Top Tumbler (basket) ONLY.



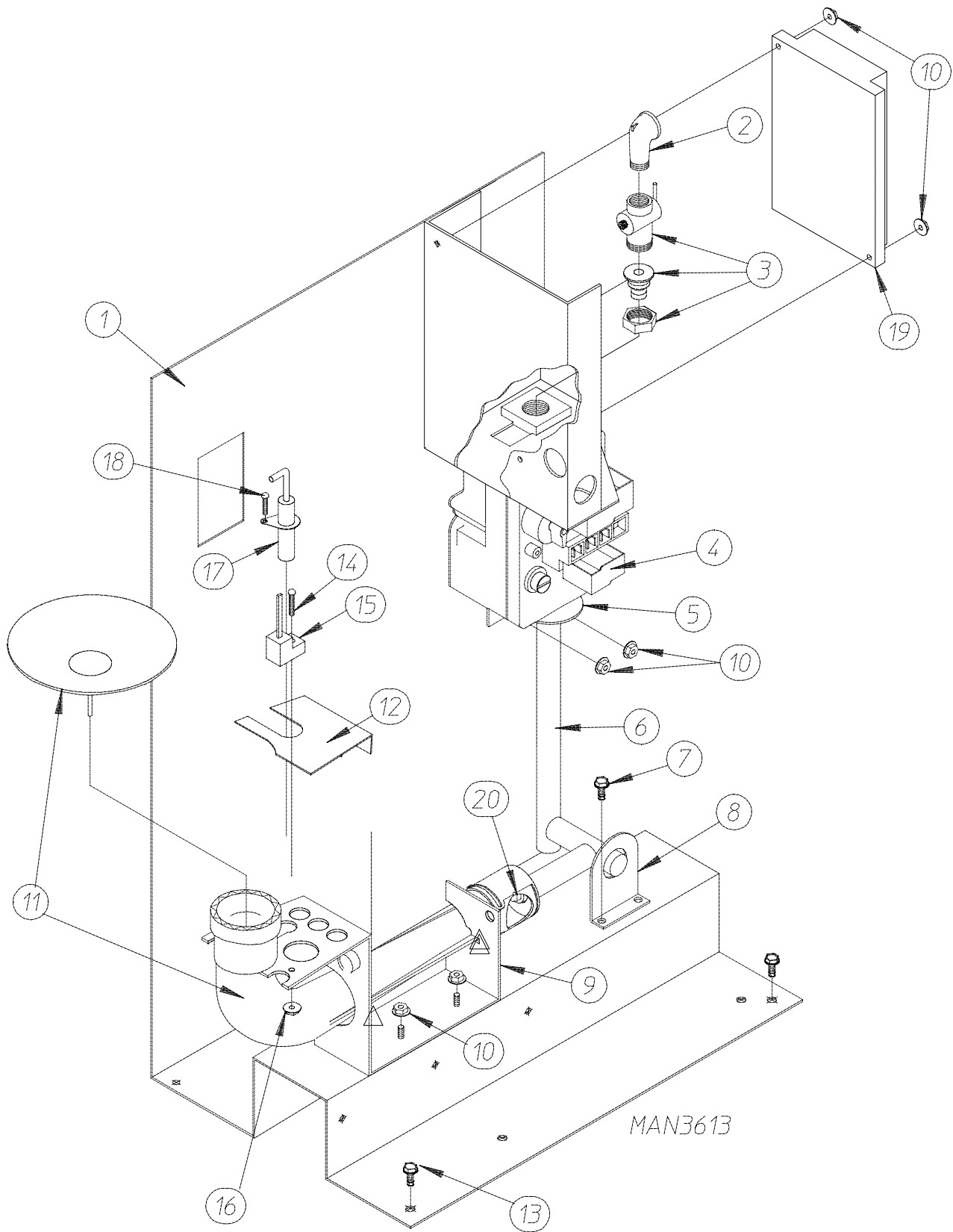
<u>Illus. No.</u>	<u>Part No.</u>	<u>Qty.</u>	<u>Description</u>
1	880203	1	1-3/8" Flange Bearing with Nylock Set Screws
	880938	1	Cone Point Set Screw Kit ... Not Illustrated
2	153005	4	3/8" Lock Washer
3	152005	4	3/8-16 Hex Nut
4	153004	2	3/8" Flat Washer
5	153005	2	3/8" Lock Washer
6	152005	2	3/8-16 Hex Nut
7	880881	1	1-3/8" Pillow Block Bearing with Rotation Sensor Magnet
	880938	1	Cone Point Set Screw Kit ... Not Illustrated
8	824807	1	Rotational Sensor Magnetic Switch Assembly
9	853040	1	Tumbler Bearing Support only
10	152004	2	5/16-18 Hex Nut
11	150621	2	5/16-18 x 1-1/2" Hex Head Machine Bolt
12	150601	2	3/8-16 x 1-1/2" Hex Head Tap Bolt
13	150501	2	5/16-18 x 3/4" Hex Head Machine Bolt
14	153002	2	5/16" Lock Washer
15	153001	2	5/16" Flat Washer
16	150610	2	5/16-18 x 1-1/2" Allen Set Screw
17	152004	2	5/16-18 Hex Nut
18	153001	2	5/16" Flat Washer
19	153002	2	5/16" Lock Washer
20	150501	2	5/16-18 x 3/4" Hex Head Machine Bolt



<u>Illus. No.</u>	<u>Part No.</u>	<u>Qty.</u>	<u>Description</u>
1	150301	2	#8-18 x 7/16" Phillips Pan Head TEK Screw
2	802800	1	Sail Switch Box with Cover and Bracket ONLY (includes illus. nos. 4 and 8)
	802801	1	Sail Switch Box Assembly Complete (includes illus. nos. 2 through 10)
3	154004	1	Twin Speed Nut
4	150309	2	10-16 x 1/2" Hex Head TEK Crimptite Screw
5	802709	1	Sail Switch Box Cover and Bracket ONLY
6	122200	1	Sail Switch ONLY
7	150303	2	#4 x 3/4" Pan Head "A" Machine Screw
8	105500	1	Sail Switch Actuator Rod
9	319202	1	Sail Switch Damper (embossed)
10	154002	1	1/8" Push-on Fastener
11	853105	1	Burner Box ONLY



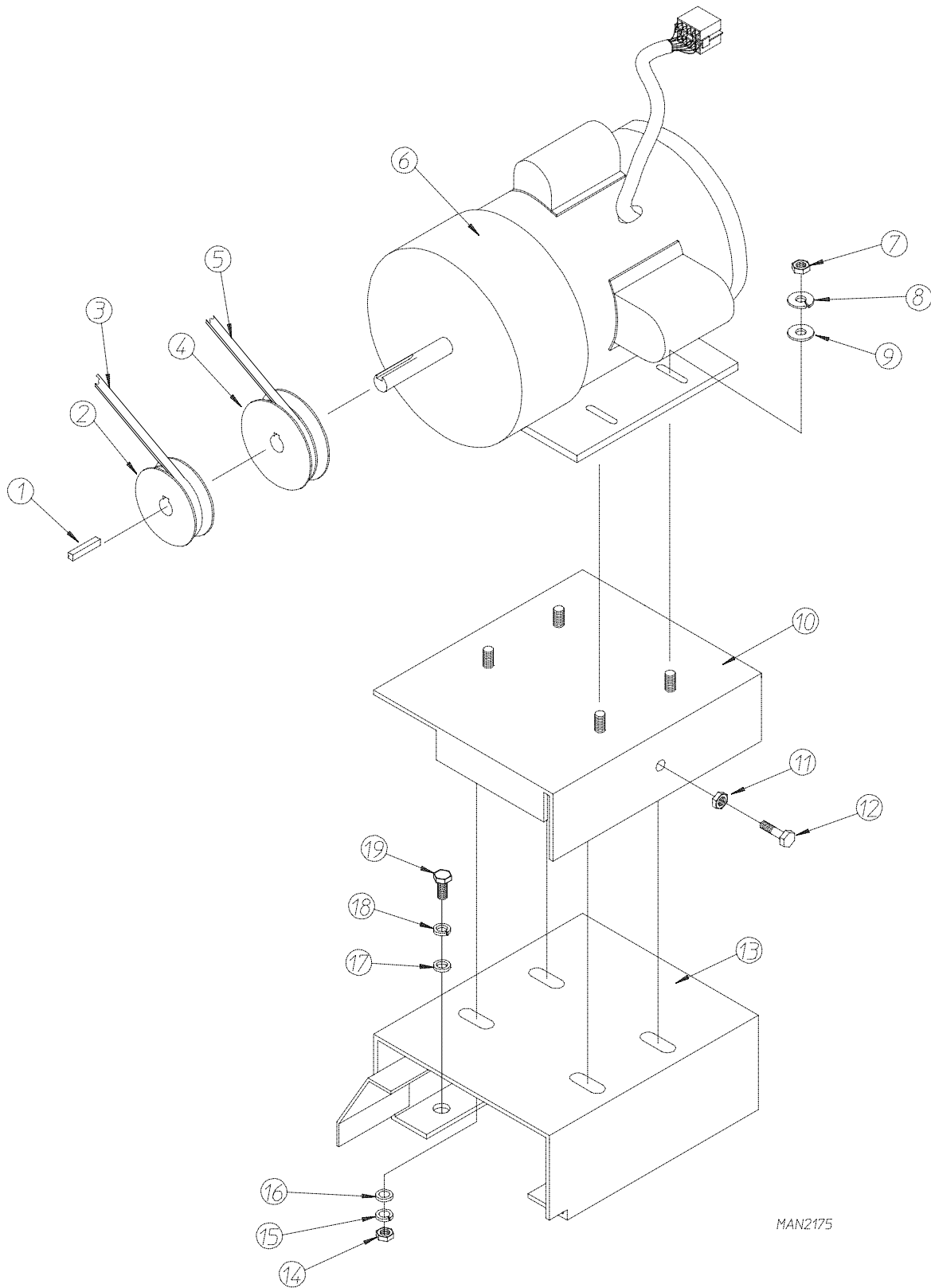
<u>Illus. No.</u>	<u>Part No.</u>	<u>Qty.</u>	<u>Description</u>
1	881223	1	HSI (Hot Surface Ignition) Burner Hood
2	130401	1	330° Hi-Limit
3	150300	2	#10 x 1/2" Hex Washer TEK Screw
4	150300	4	#10 x 1/2" Hex Washer TEK Screw



<u>Illus. No.</u>	<u>Part No.</u>	<u>Qty.</u>	<u>Description</u>
1*	881469	1	Natural Gas Burner Assembly Complete less Orifice (includes illus. nos. 1 through 19)
	881470	1	L.P. Gas Burner Assembly Complete less Orifice (includes illus. nos. 1 through 19)
2	142502	1	1/2" x 3/4" Street Elbow
3	881372	1	1/2" F.P.T. Straight Shut Off with Tail Piece
4	128927	1	1/2" 24 VAC Redundant (natural gas) Gas Valve
	880960	1	1/2" 24 VAC L.P. (liquid propane) Gas Valve
	140411	1	1/2" 24 VAC Gas Valve L.P. (liquid propane) Conversion Kit
5	353237	1	Notched Double Sided Pipe Bracket
6	141211	1	1/2" Single Port Manifold
7	150300	2	#10 x 1/2" Hex Washer TEK Screw
8	353222	1	HSI (Hot Surface Ignition) Manifold Pipe Bracket
9	318009	1	Burner Tube Bracket
10	151001	4	#8 Pal Nut
11	141131	1	Upshot Burner Tube with Spreader
12	353099	1	Burner Tube Angle Bracket
13	150309	2	6-32 x 1/2" Hex Head TEK Crimptite Screw
14	150002	1	6-32 x 1" Phillips Round Head Machine Screw
15	881479	1	Hot Surface Ignitor - 24 VAC
16	151000	1	#6 Pal Nut
17	128918	1	Flame Probe
18	150315	1	#6 x 3/8" Phillips Pan Head Screw
19	881500	1	HSI (Hot Surface Ignition) Module II (for models mfd. as of January 1, 1997)
	128974	1	HSI (Hot Surface Ignition) Module (for models mfd. prior to December 31, 1996)
20**	140836	1	#10 Burner Orifice (natural gas) ONLY
	140855	1	#33 Burner Orifice (liquid propane) ONLY
	881119	1	ADG-530HS L.P. Conversion Kit (includes parts to convert both top and bottom tumblers)

* Burner Orifice *is not included* and **must be** ordered separately.

**Consult the factory for elevations over 2,000 feet.

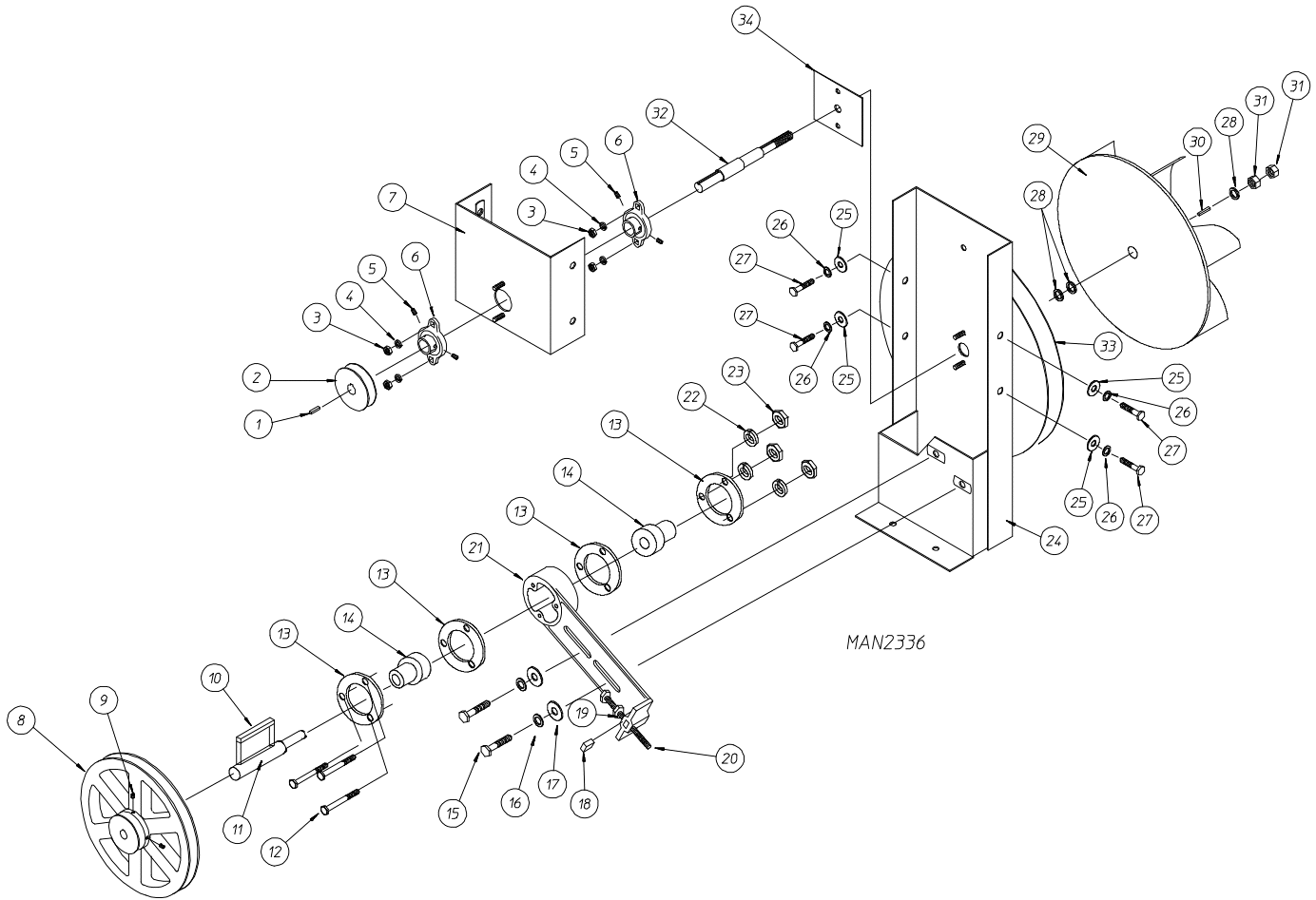


MAN2175

for 60 Hz Models

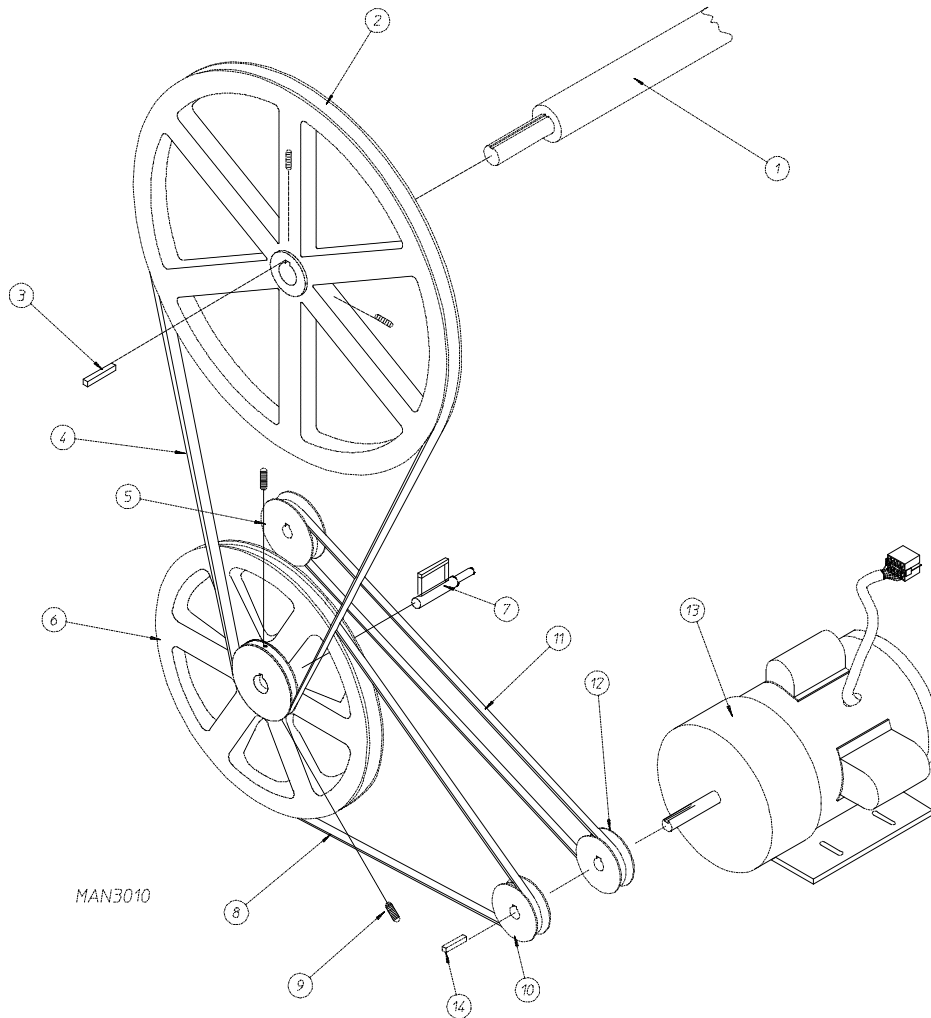
<u>Illus. No.</u>	<u>Part No.</u>	<u>Qty.</u>	<u>Description</u>
1	100718	1	3/16" x 3/16" x 2-1/4" Key
2	101133	1	2-1/4" x 5/8" Pulley
3	100171	1	4L-440 V-Belt
4	101207	1	3.0 x 5/8" Pulley
5	100156	1	5L-330 V-Belt
6*	181022	1	3/4 HP 120/230v 1ø 60 Hz Motor (for models mfd. as of May 22, 1998)
	881096	1	3/4 HP 120/230v 1ø 60 Hz Drive Motor Mount Assembly (for models mfd. prior to May 22, 1998)
7	152004	4	5/16-18 Hex Nut
8	153002	4	5/16" Lock Washer
9	153001	4	5/16" Flat Washer
10	853087	1	Motor Mount Slide Mount Assembly ONLY
11	152005	1	3/8-16 Hex Nut
12	150601	1	3/8-16 x 2" Hex Head Tap Bolt
13	853042	1	Motor Base Assembly ONLY
14	152004	4	5/16-18 Hex Nut
15	153002	4	5/16" Lock Washer
16	153001	4	5/16" Flat Washer
17	153001	4	5/16" Flat Washer
18	153002	4	5/16" Lock Washer
19	150501	4	5/16-18 x 3/4" Hex Head Machine Bolt
---	881096*	1	3/4 HP 120/230v 1ø 60 Hz Drive Motor Mount Assembly Complete (includes illus. nos. 1, 2, 4, and 6 through 16)

* Specify voltage when ordering.

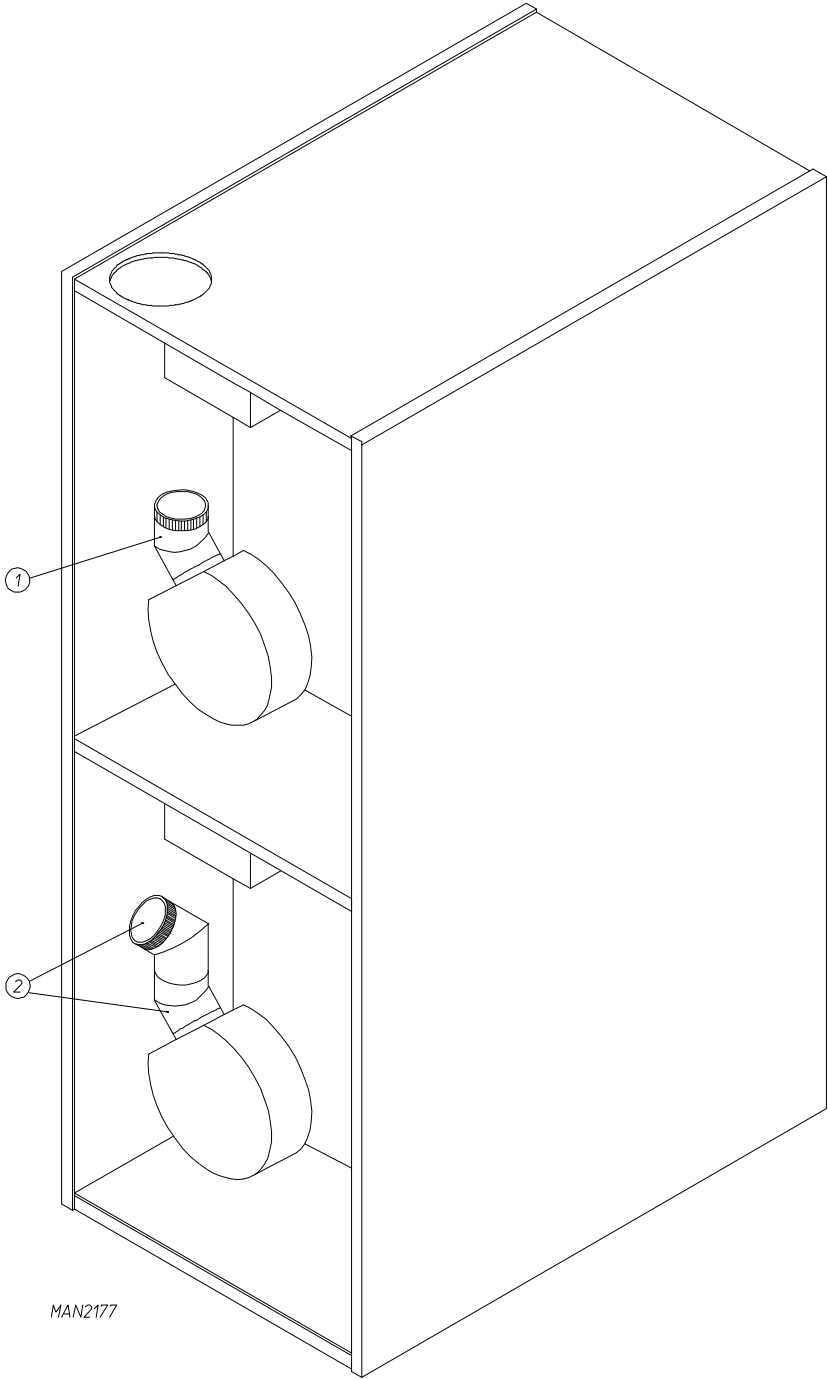


for 60 Hz Models

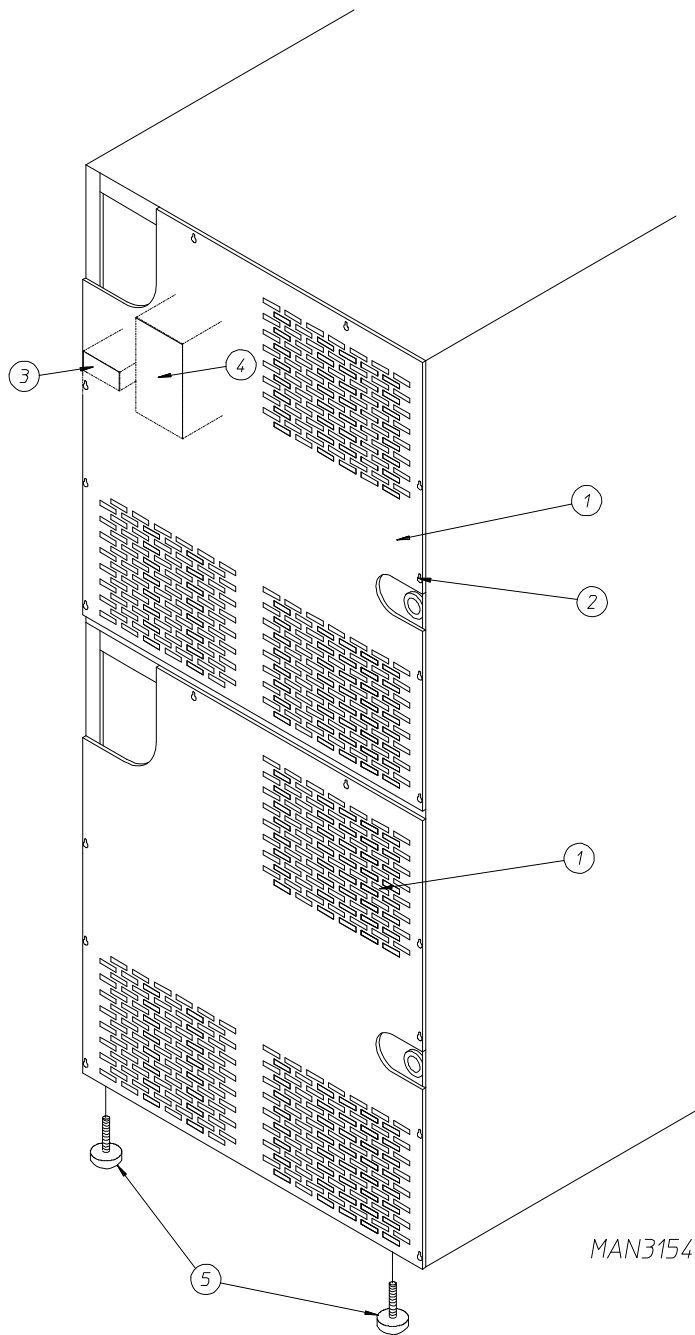
<u>Illus. No.</u>	<u>Part No.</u>	<u>Qty.</u>	<u>Description</u>
1	100701	1	3/16" x 3/16" x 1" Key
2	101206	1	2.8 x 5/8" Pulley
3	152002	4	1/4-20 Hex Nut
4	153007	4	1/4" Lock Washer
5	154324	4	#10-32 x 1/4" Cone Point Set Screw
6	881361	2	5/8" Flange Bearing
7	881225	1	Impellor (Fan/Blower) Bearing Mount ONLY
8	101129	1	9" Pulley
9	154301	2	5/16-18 x 1" Allen (Cone Point) Set Screw
10	100705	1	3/16" x 3/16" x 1-3/8" Key
11	301850	1	Idler Shaft
12	150529	3	1/4-20 x 2-1/4" Carriage Bolt
13	-----	4	Flanges (part of Part No. 100214 Bearing)
14	100214	2	5/8" Flange Bearing
15	150617	2	3/8-16 x 1" Hex Head Machine Bolt
16	153005	2	3/8" Lock Washer
17	153004	2	3/8" Flat Washer
18	152020	1	5/16-18 Square Nut
19	152004	1	5/16-18 Hex Nut
20	150509	1	5/16-18 x 3" Hex Head Machine Bolt
21	801016	1	Cast Idler Assembly Complete (includes illus. nos. 10 through 23)
	100406	1	Cast Idler Bearing Mount Assembly
22	153007	3	1/4" Lock Washer
23	152002	3	1/4-20 Hex Nut
24	881226	1	Impellor (fan/blower) Mount ONLY (includes illus. no. 33)
25	153004	4	3/8" Flat Washer
26	153005	4	3/8" Lock Washer
27	150508	4	3/8-16 x 3/4" Hex Head Machine Bolt
28	153050	3 or 4	1/2" x 1-1/16" Flat Washer
29	100604	1	12-1/2" Impellor fan/blower)
30	100723	1	1/8 x 1/8 x 1 3/8" Key
31	152006	2	1/2-20 Left Hand Jam Nut
32	353111	1	Fan Shaft
33	117604	4	Neoprene Sponge Tape (sold by the foot) For models mfd. as of July 13, 1998
	117600	4	Noise Suppressor Tape (sold by the foot) For models mfd. prior to July 13, 1998
34	116011	1	3-1/2" x 4" Felt Bearing Seal



<u>Illus. No.</u>	<u>Part No.</u>	<u>Qty.</u>	<u>Description</u>
1	-----	1	Tumbler (Basket) Support (refer to page 12)
2	101100	1	18" Pulley
-	154301	2	5/16-18 x 1" Allen (Cone Point) Set Screw
3	100713	1	1/4" x 1/4" x 7/8" Key
4	100106	1	5L-690 V-Belt
5	101206	1	2.8 x 5/8" Pulley
6	101129	1	9" x 2-1/2" Compound Pulley
7	-----	1	Idler Assembly (refer to page 26 and page 27)
8	100171	1	4L-440 V-Belt
9	154301	2	5/16-18 x 1" Allen (Cone Point) Set Screw
10	101133	1	2-1/4" x 5/8" Pulley
11	100156	1	5L-330 V-Belt
12	101207	1	3.0 x 5/8" Pulley
13	-----	1	Drive Motor Mount Assembly (refer to page 24 and page 25)
14	100718	1	3/16" x 3/16" x 2-1/4" Key



<u>Illus. No.</u>	<u>Part No.</u>	<u>Qty.</u>	<u>Description</u>
1	143536	1	6" x 45° Elbow
2	143536	2	6" x 45° Elbow
-	117505	6	Aluminum Duct Tape (sold by the foot)
-	881373	1	6" x 45° Elbow with 6" Damper



<u>Illus. No.</u>	<u>Part No.</u>	<u>Qty.</u>	<u>Description</u>
1	353147	2	Upper and Lower Back Guard
2	150301	14	#8-18 x 7/16" Phillips Pan Head TEK Screw
3	112041	1	"CAUTION - Exhaust/Lint Screen" Label
4	112086	1	"Installation Instructions" Label
5	103500	4	Leveling Leg

<u>Part No.</u>	<u>Description</u>
112179	<u>ADG-530HS/WDA-530 Installation/Operators Manual</u>
112533	Phase 5 Coin "PROGRAM LOCATION SUMMARY" Label
120903	Closed End Connector
121026	Tab Receptacle Combination
121495	4" Wire Tie
121500	7" Wire Tie
122804	Manometer (used to Measure Gas Pressure)
404502	White Brush-In-Cap Bottle Touch Up Paint
404506	Beige Brush-In-Cap Bottle Touch-Up Paint
404507	Cornflower Blue Brush-In-Cap Bottle Touch Up Paint
410001	1/2" Allen Wrench (used to remove Gas Valve Brass Tail Piece)
880200	Electrical Terminal (Assortment) Kit
881299	Loctite Kit (includes 2 [two] .02 oz tubes of #290 Wicking Loctite)

ADC450171 **1-** 02/05/97-100 **2*** 01/30/98-50 **3-** 02/25/98-50
4- 08/20/99-50 **5*** 03/27/00-50 **6*** 09/12/00-25
7- 09/26/00-75 **8-** 11/20/00-100

