

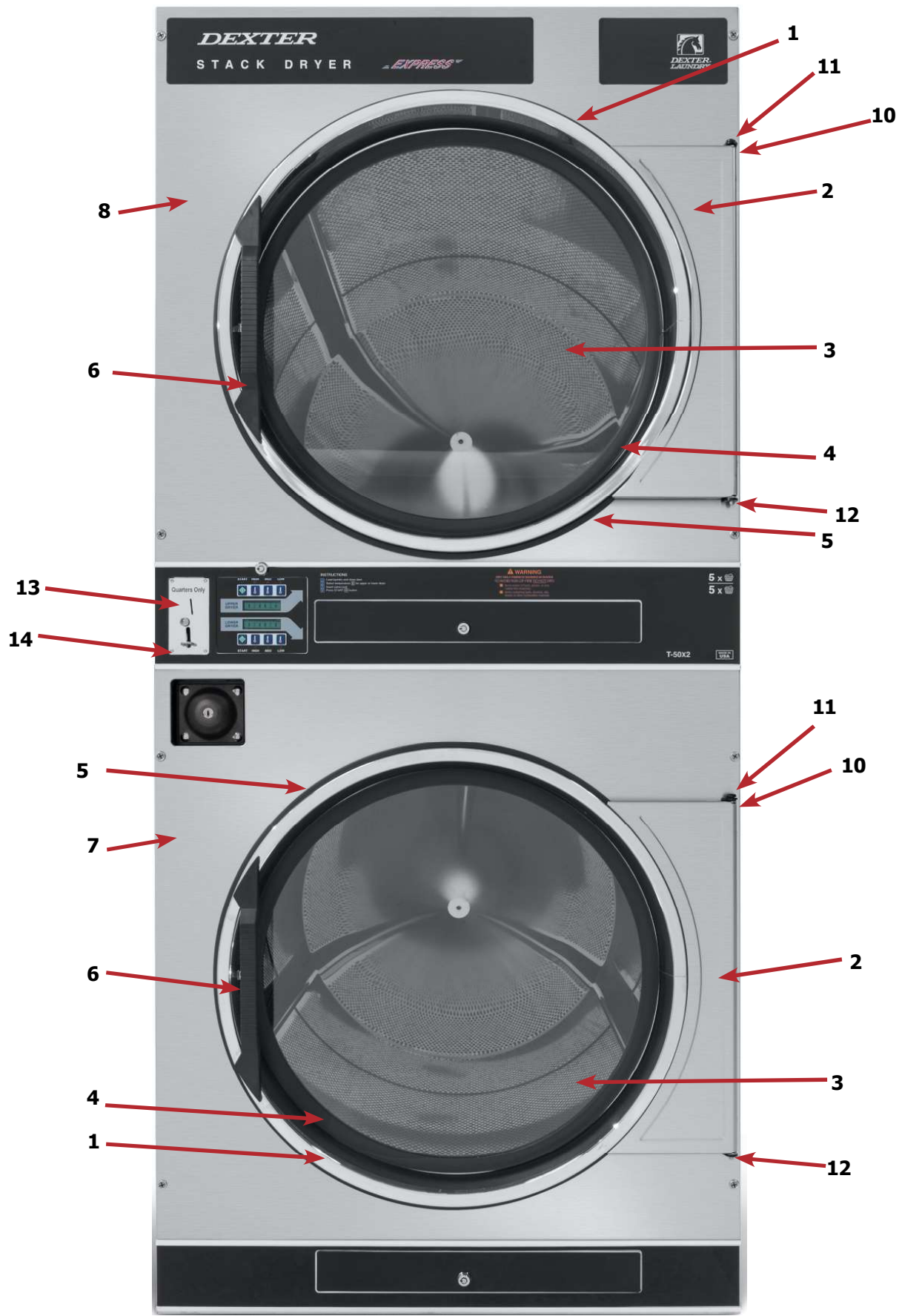


## **Section 6:**

Parts Data

DC50X2 -11

Reversing Dryer

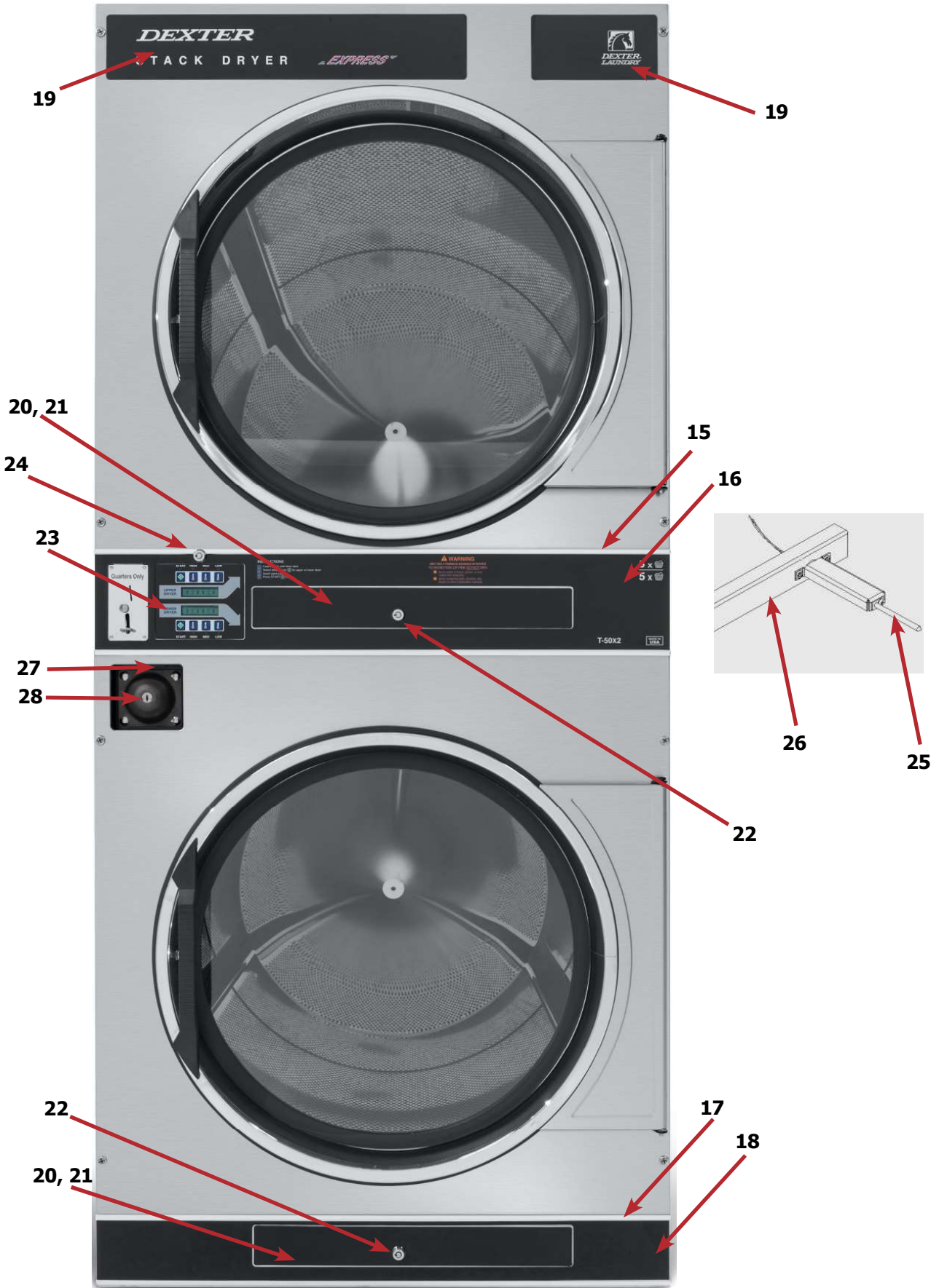


# Cabinet Group

Key	Description	T-50X2-11 Reversing	QTY
*	Door Assy., Loading Complete-Wht	9960-285-008	2
*	Door Assy., Loading Complete-SS	9960-285-011	2
*	Door Assy., Loading Complete-Chrome/BLK/SS	9960-285-007	2
1	Door Assy., Loading-SS(ring only)	9960-284-002	2
1	Door Assy., Loading-Chrome(ring only)	9960-284-004	2
2	Plate Assy., Hinge (Wht)	9982-353-002	2
2	Plate Assy., Hinge (SS)	9982-353-001	2
*	Screw, Hinge to Door	9545-012-015	8
*	Nut, Hinge to Door	8640-413-002	8
*	Cover, Hinge Plate	9074-340-002	2
*	Screw, Phillips-10B x 3/8	9545-008-010	4
3	Glass, Door	9212-002-004	2
4	Gasket, Glass Black	9206-413-002	2
*	Support, Door Glass	9548-117-000	2
*	Tool Install Dryer Door Gasket	8545-064-001	1
5	Gasket, Outer Rim Black	9206-420-005	2
6	Handle, Loading Door	9244-082-001	2
*	Screw, Handle 1/4-20 x 3/8	9545-018-017	4
*	Stud, Door Catch, 7/8	9531-033-003	2
*	Nut, Hex	8640-413-001	2
*	Nut, Acorn	8640-413-003	2
*	Catch, Loading Door	9086-015-002	2
*	Pop Rivet for mtg. catch	8638-190-009	4
*	Lockwasher	8641-582-006	4
*	Spring Nut	8640-399-001	6
7	Panel Assy., Front- Lower (Wht)	9989-521-003	1
7	Panel Assy., Front- Lower (SS)	9989-521-001	1
8	Panel Assy., Front- Upper (Wht)	9989-517-003	1
8	Panel Assy., Front- Upper (SS)	9989-517-001	1
*	Insulation Front Panel, half moon (top)	9277-054-001	2
*	Insulation Front Panel, half moon (bottom)	9277-054-002	2
9	Screw, FLHDCR, 10B x 1	9545-008-014	14
*	Lockwasher	8641-585-001	6
*	Nut, Spring	8640-399-001	12
10	Strap, Hinge (Wht)	9544-069-002	2
10	Strap, Hinge (SS/Black)	9544-069-005	2
*	Screw, Hinge to Panel	9545-012-028	8
11	Screw, Door to Hinge Strap (Special Black Type)	9545-052-001	2
12	Washer, Fiber	8641-436-003	2
13	Acceptor, Coin	9021-041-001	1
*	Retainer, Coin Acceptor	9486-149-001	2
14	Screw	9545-053-002	4
*	Switch, Optical	9801-099-001	1

# Cabinet Group Continued

Key	Description	T-50X2-11 Reversing	QTY
15	Escutcheon, Upper	9994-032-001	1
16	Trim, Overlay-Upper Blue	9435-039-002	1
16	Trim, Overlay-Upper Black	9435-039-001	1
17	Escutcheon, Lower	9994-033-001	1
18	Trim, Overlay-Lower Blue	9435-023-001	1
18	Trim, Overlay-Lower Black	9435-031-001	1
*	Screw, #4-40 x 3/16	9545-020-009	20
19	Nameplate Stack Dryer Express Blue	9412-167-002	1
19	Nameplate Stack Dryer Express Black	9412-167-001	1
20	Lint Drawer Assembly Blue	9866-005-001	2
20	Lint Drawer Assembly Black	9866-005-004	2
21	Overlay Trim, Lint Drwr-Blue	9435-024-001	1
21	Overlay Trim, Lint Drwr-Black	9435-032-001	1
*	Felt Seal (back of lint screen assembly)	9532-074-003	2
*	Lint Screen Assembly ONLY (no front)	9805-033-002	2
*	Replaceable Lint Screen Only	9555-057-008	2
22	Lock and Key, Lint Drawer	8650-012-004	2
*	Key 6101 only	6292-006-010	1
*	Cam, Lock	9095-043-001	2
*	Lint Screen Strap Hold Down Screws 10Bx 1/4	9545-008-001	32
23	Controls Assy, Blue	9857-198-002	1
23	Controls Assy, Black	9857-198-004	1
*	Harness, Electronic Control	9627-859-003	1
24	Lock and Key, Control	8650-012-003	1
*	Cam, Lock	9095-041-001	1
*	Key only 6324	6292-006-007	1
*	Harness, Heat Sensor	9627-855-003	1
*	Wire Nut Connector Grey	8640-276-002	4
25	Sensor Temp Control	9501-004-003	2
26	Bracket for Heat Sensor Mounting (Under Basket) w/ sensor	9501-008-001	2
*	Screw, Round Head (Mounts sensor; phillips head)	9545-045-005	2
*	Gromm.et, 3/16 ID	9209-037-002	2
*	Leg, Leveling 1/2"	8544-006-001	4
*	Wrench, Leg leveling tool	8545-061-002	1
*	Cover, Cabinet (Top)	9074-320-001	1
*	Insulation Cabinet Cover	9277-041-017	1
*	LP Kit for 50Lb Stk Dryers	9732-102-013	1
*	Stack Dryer Trunion Puller	9732-243-001	1
*	Strap - Bead Tie	9544-041-002	1
27	Vault, Coin Box	9942-038-005	1
*	Screws, Mounting-Coin Vault	9545-008-024	2
28	Coin Box Assy, Large Blue	9807-099-002	1
28	Coin Box Assy, Large Black	9807-099-004	1



19

19

20, 21

15

24

16

23

27

28

26

25

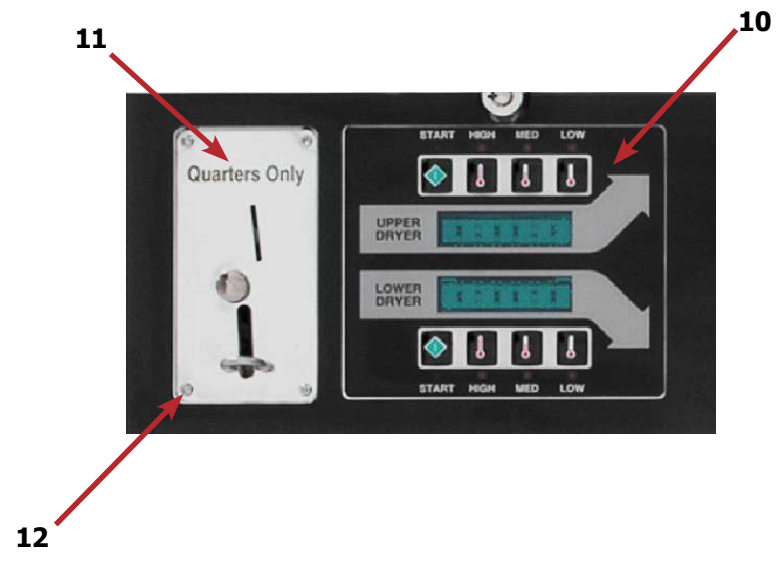
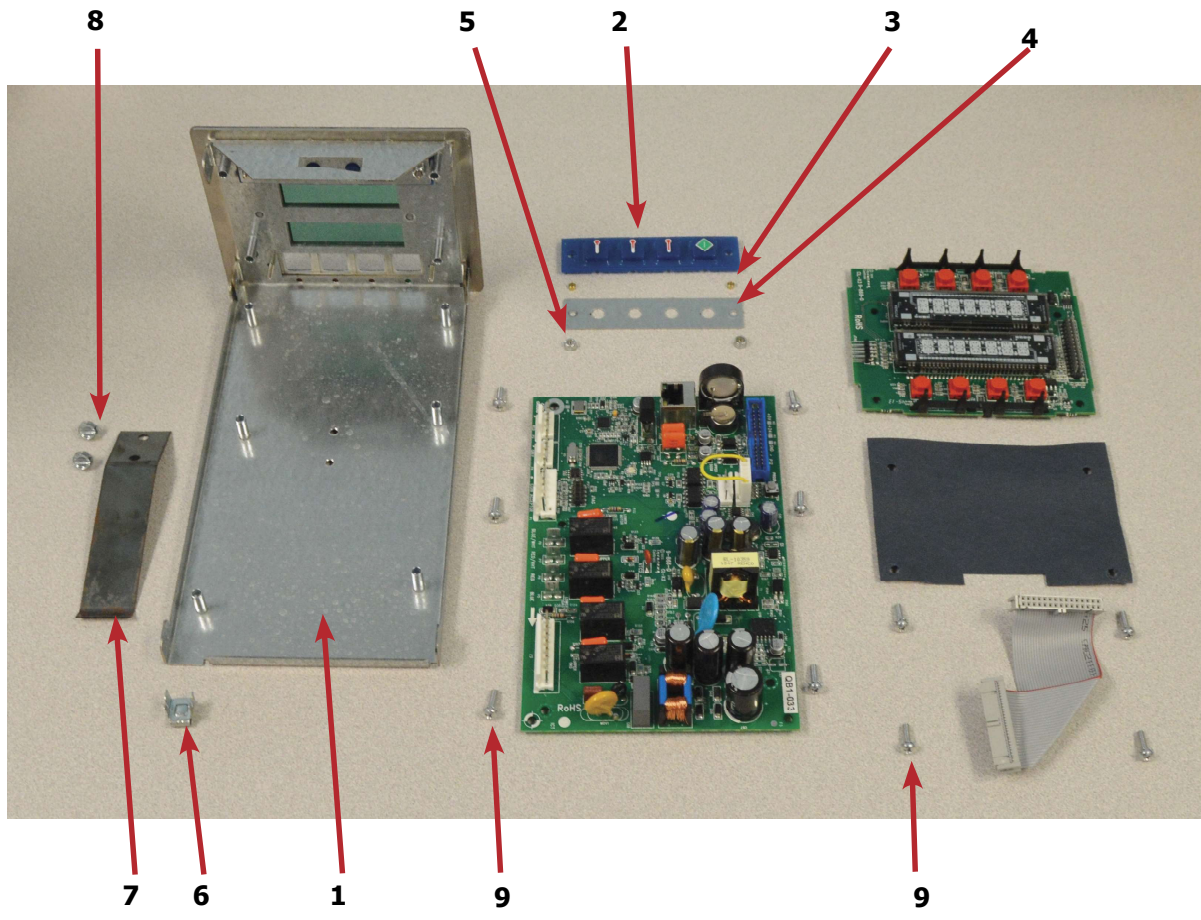
22

22

17

20, 21

18

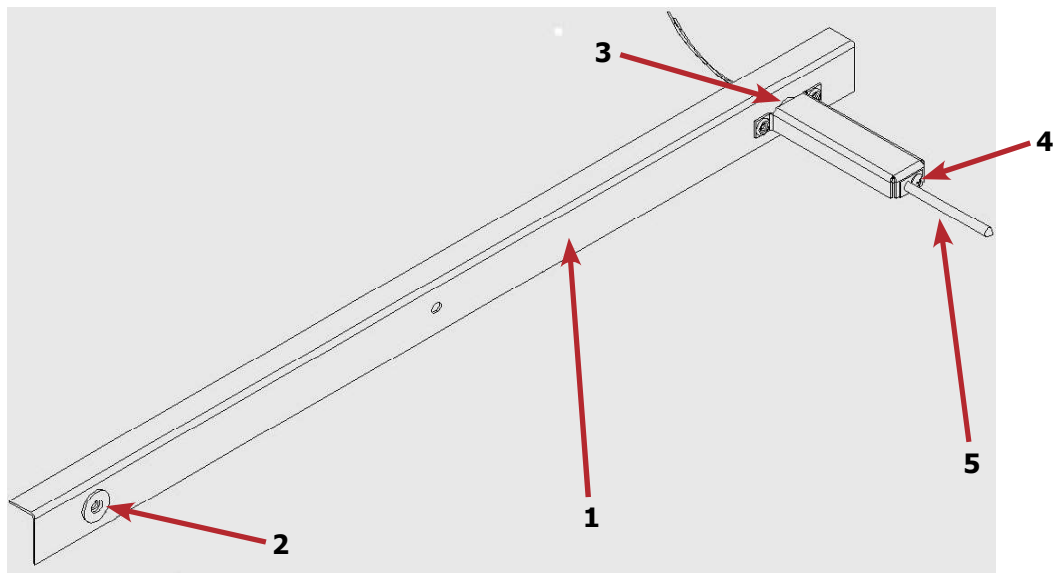


## Control Parts Group

Key	Description	T-50X2-11 Reversing	QTY
*	Controls Assy, Electronic Mounted With Membrane Switch, BLU	9857-198-002	1
*	Controls Assy, Electronic Mounted With Membrane Switch, BLK	9857-198-004	1
1	Trough Assembly	9826-008-001	1
2	Button-Push, Control, Black	9035-062-002	2
2	Button-Push, Control, Blue	9035-062-001	2
3	Spacer-Metal, 4mm	9538-166-011	4
4	Retainer-Push Button	9486-158-001	2
5	Nut-Hex, Elastic stop, #4-40	8640-424-002	4
6	Terminal-Grounding clip	8652-130-038	1
7	Spring-Flat, Control	9534-365-001	1
8	Screw-Hex, #10B x 1/4	9545-008-001	2
9	Screw-Hex, #10B x 1/4	9545-044-010	10
9	Washer-External tooth, #6	8641-582-005	10
10	Overlay-Control, Coin, Black	9435-038-001	1
10	Overlay-Control, Coin, Blue	9435-038-002	1
11	Acceptor-Coin, Optical	9021-041-001	1
*	Retainer, Coin Acceptor	9486-149-001	1
12	Screw	9545-053-002	4
*	Optical Sensor, Replacement	9801-099-001	1

## Sensor Assembly, Thermister

Key	Description	T-50X2-11 Reversing	QTY
*	Bracket for Heat Sensor Mounting (Under Basket) w/ sensor	9501-008-001	2
1	Bracket Assembly Thirmister	9985-188-001	2
2	gasket spacer	9206-176-000	2
3	Gromet	9209-037-002	2
4	Screw, 8B x 14	9545-045-005	2
5	Sensor-Heat, Thermister- 40K Ohm	9501-004-003	2
*	Screw-Mounting, 10AB x 3/8	9545-008-024	2



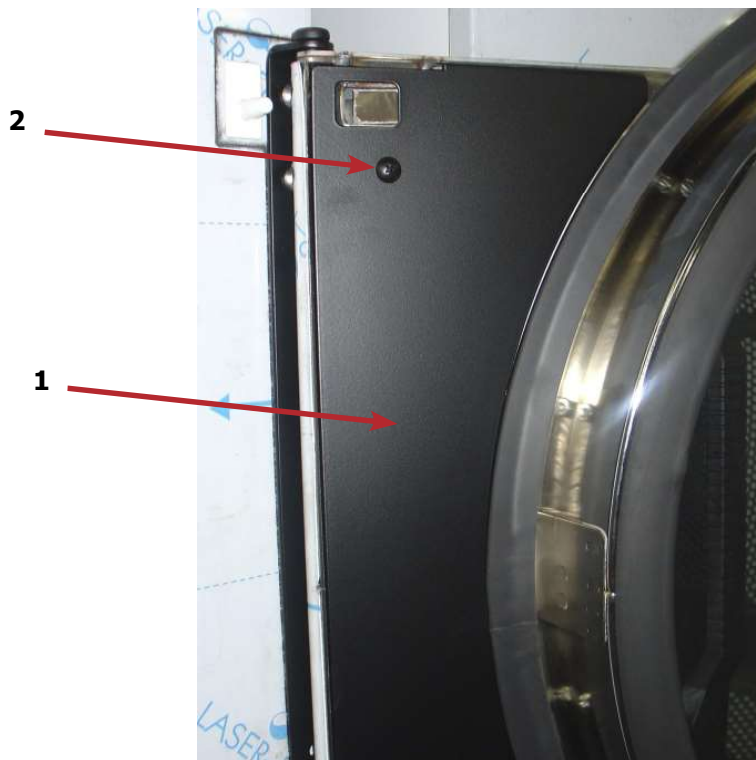
## Door Switch Group

Key	Description	T-50X2-11 Reversing	QTY
1	Door Switches	9539-487-001	2



## Hinge Plate Cover

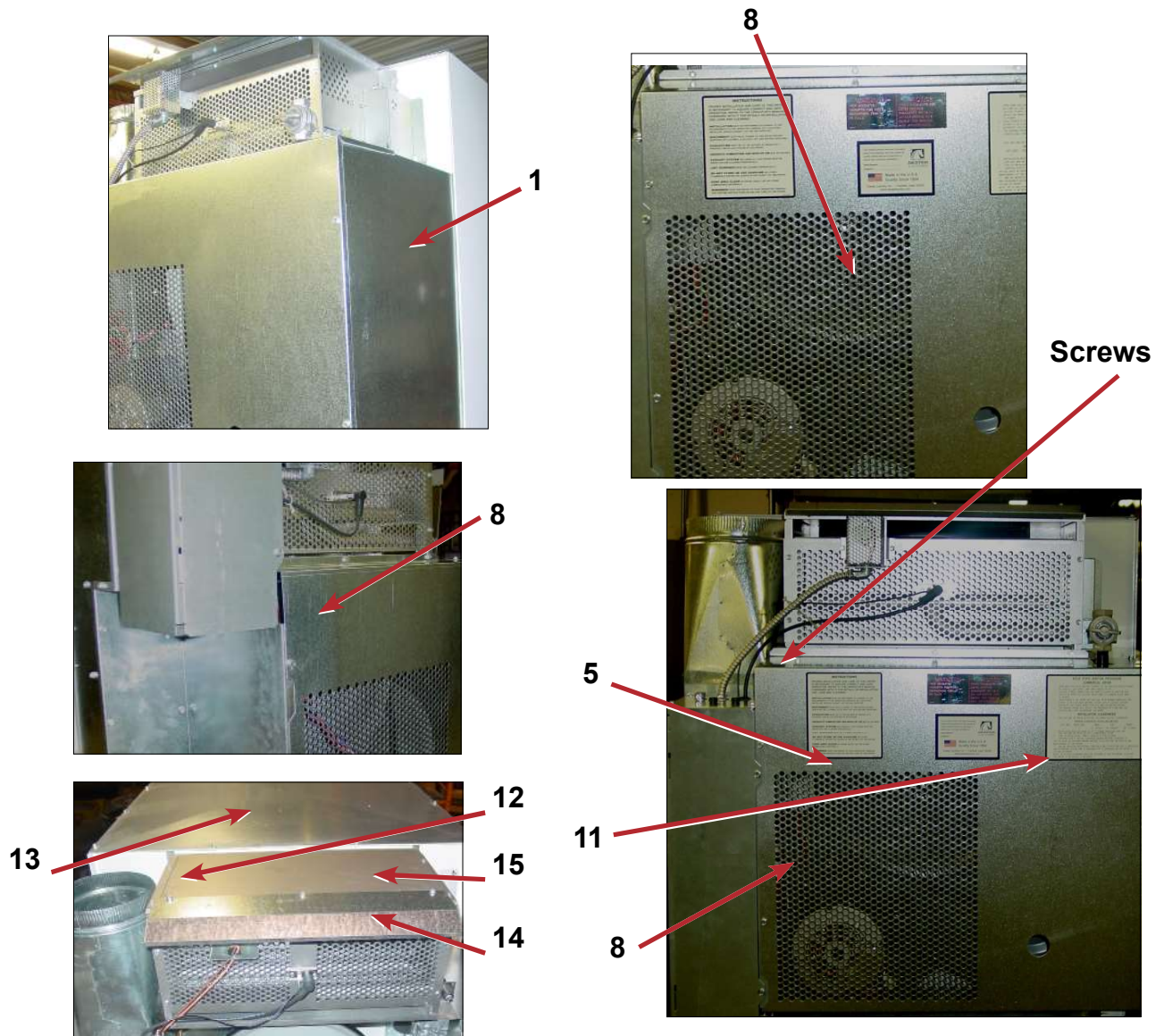
Key	Description	T-50X2-11 Reversing	QTY
1	Cover-Hinge, Black	9074-340-002	2
2	Screw-TRHDCR, 10B x 3/8, Black	9545-008-010	4





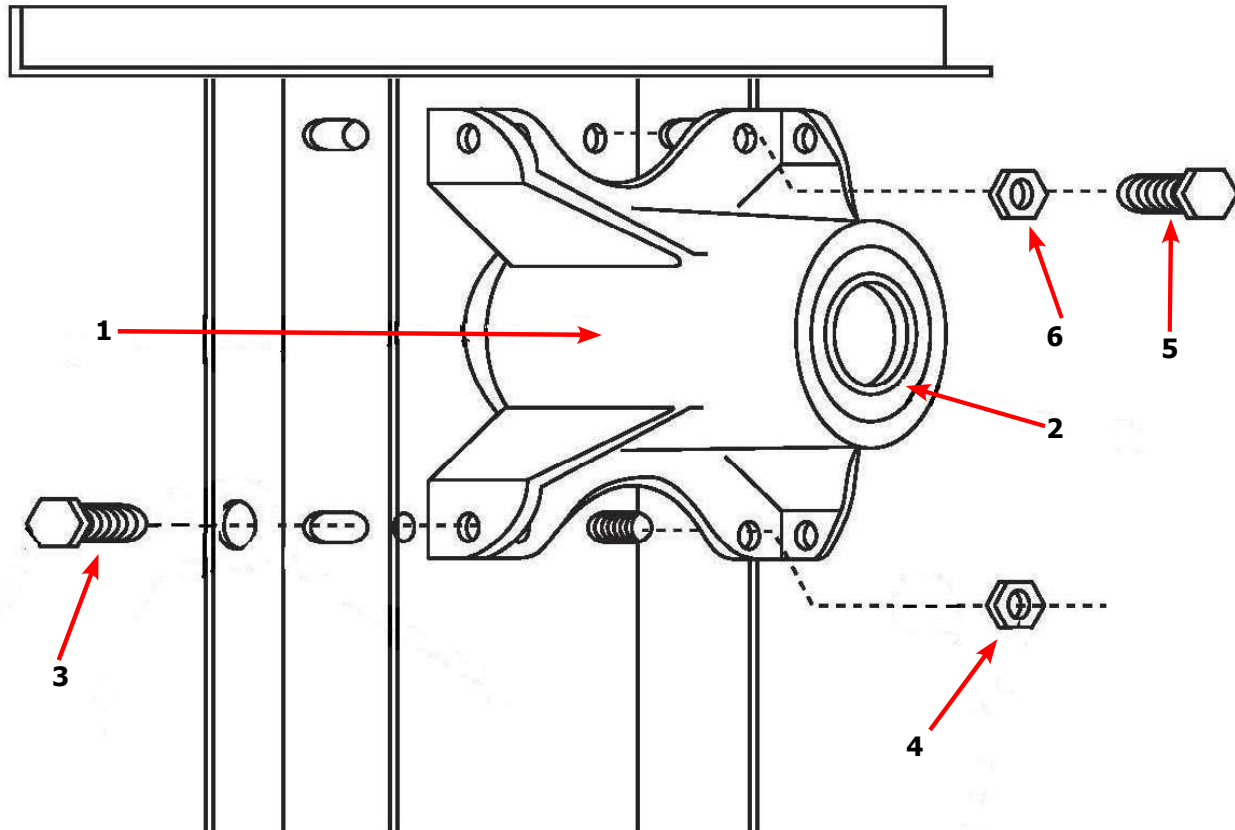
# Rear Panel & Cover Group

Key	Description	T-50	QTY
1	Rear Guard Side Panel	9208-090-001	2
4	Screws 10 AB x 3/8	9545-008-024	30
5	Label - Connection Electrical	8502-649-001	1
8	Rear Guard Back Panel	9208-089-001	2
*	Screws, Guard	9545-008-004	*
10	Label Warning & Notice	8502-600-001	1
11	Label - Instructions	8502-645-001	1
12	Transition Assembly Outlet	9109-113-001	1
13	Top Cover Dryer Panel	9074-320-001	1
14	Top Burner Housing Heat Shield Inlet	9550-188-001	1
15	Top Panel Burner Housing Cover	9074-321-001	1



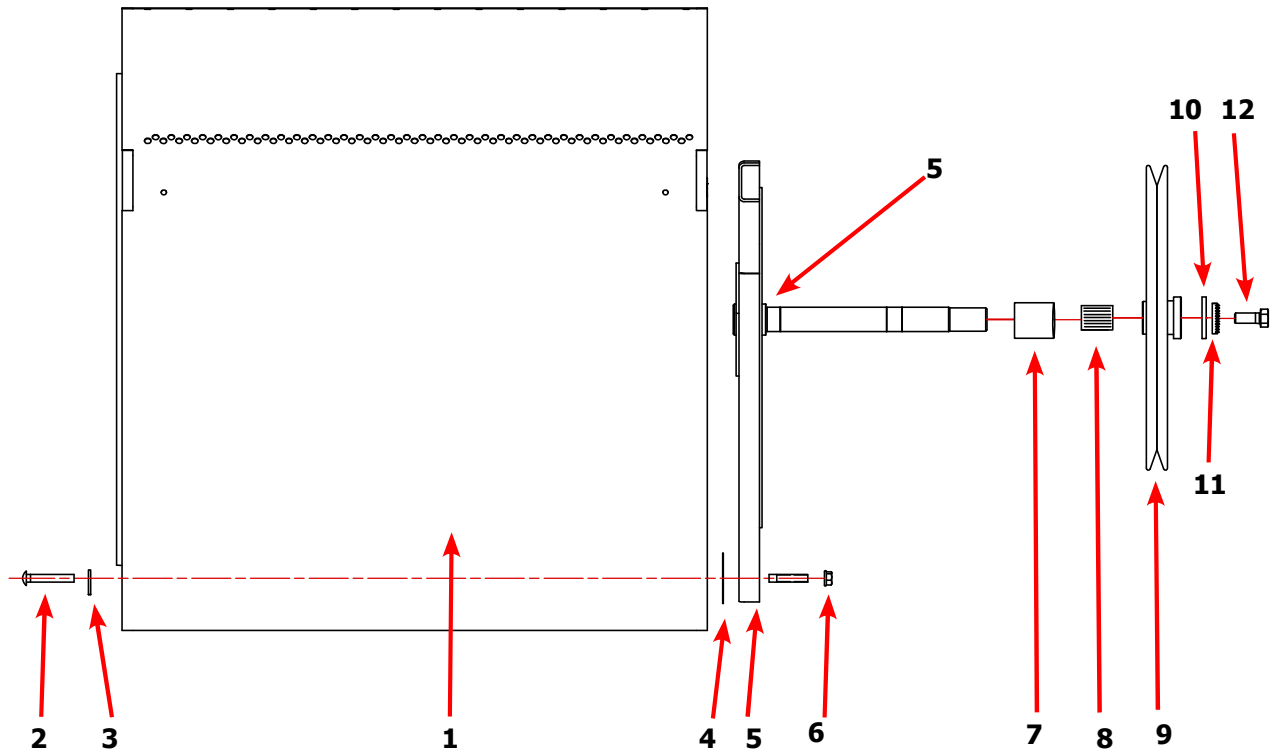
# Bearing Housing Group

Key	Description	T-50X2-11 Reversing	QTY
	Bearing Housing Complete Assy (Includes bearings & Spacer)	9803-201-001	1
1	Housing, Bearing	9241-189-002	1
*	Bearing, Ball, Front	9036-159-001	1
*	Spacer, Bearing	9538-183-001	1
2	Bearing, Ball, Rear	9036-159-003	1
3	Screw-Wizlock, 1/2-13x3/4	9545-017-017	4
4	Nut, 1/2-13	8640-417-002	2
5	Screw, 1/2-13x1 1/2	9545-017-018	2
6	Nut, 1/2-13	8640-417-002	2



# Tumbler Group

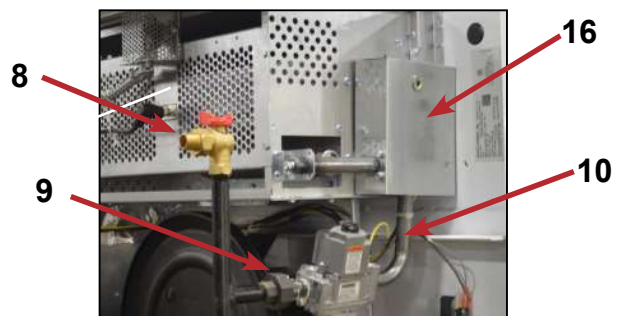
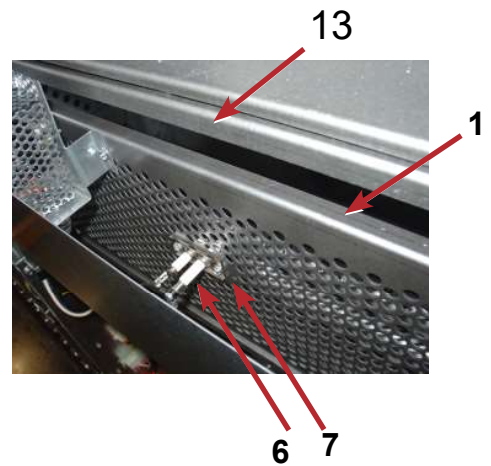
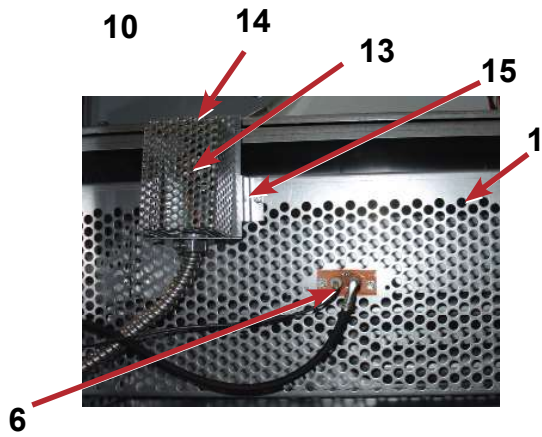
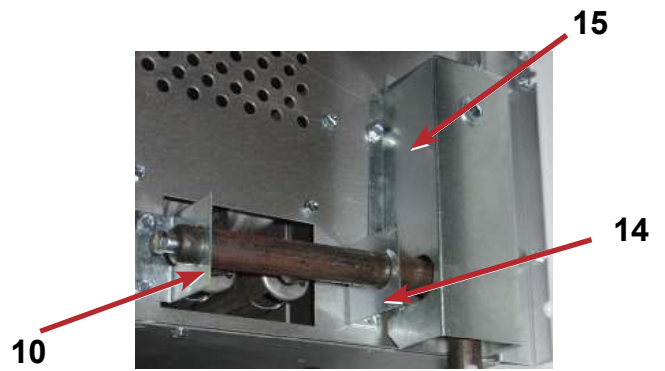
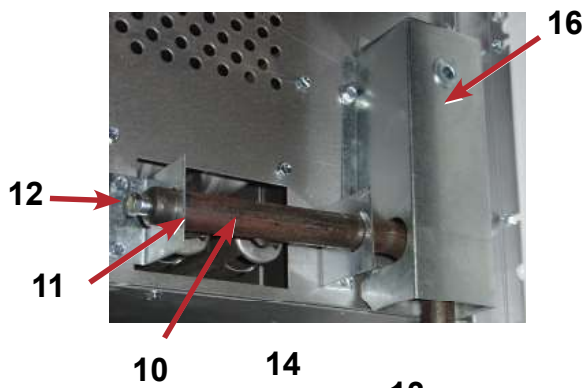
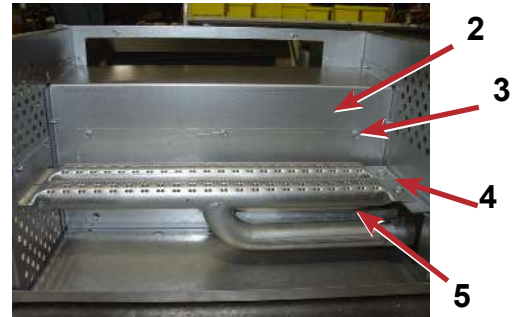
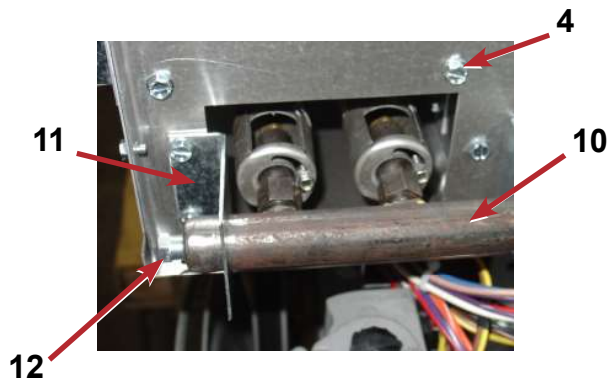
Key	Description	T-50X2-11 Reversing	QTY
*	Tumbler Assy Complete W/Spider (GALV)	9848-154-001	1
1	Tumbler Assy (Galvanized)	9848-148-001	1
*	Tumbler Assy Complete W/Spider (SS & Galv front)	9848-154-002	1
1	Tumbler Assy (Stainless Galvanized front)	9848-148-002	1
2	Rod, Tumbler	9497-226-002	3
3	Washer, Special	8641-590-002	3
4	Shim	9552-013-000	AR
5	Spider Assy	9568-017-001	1
6	Nut, Wiz Lock	8640-417-005	3
7	Spacer-Shaft	9538-188-001	1
8	Tolerance Ring	9487-234-005	1
9	Pulley, Driven	9908-047-002	1
10	Washer -Flat	8641-581-026	1
11	LockWasher - IntTooth, 1"	8641-582-016	1
12	Screw, 1/2-13x1 1/4	9545-017-009	1
*	Belt, Drive	9040-076-003	2



# Burner Housing Group

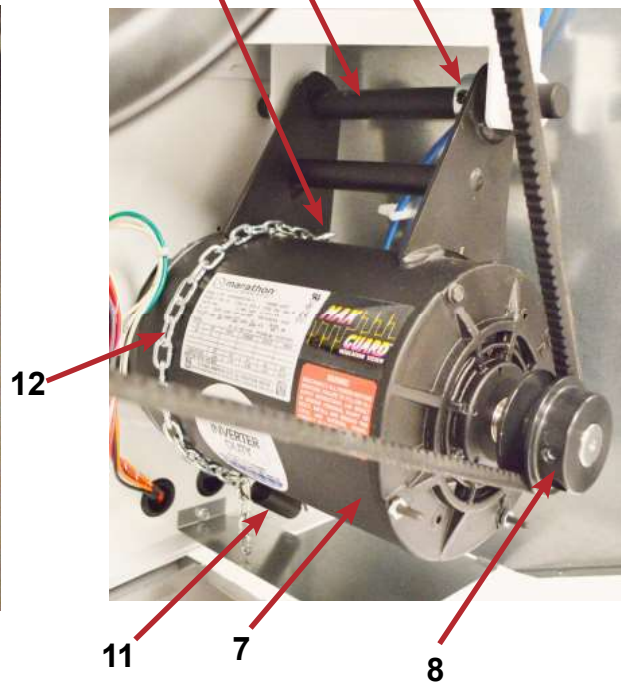
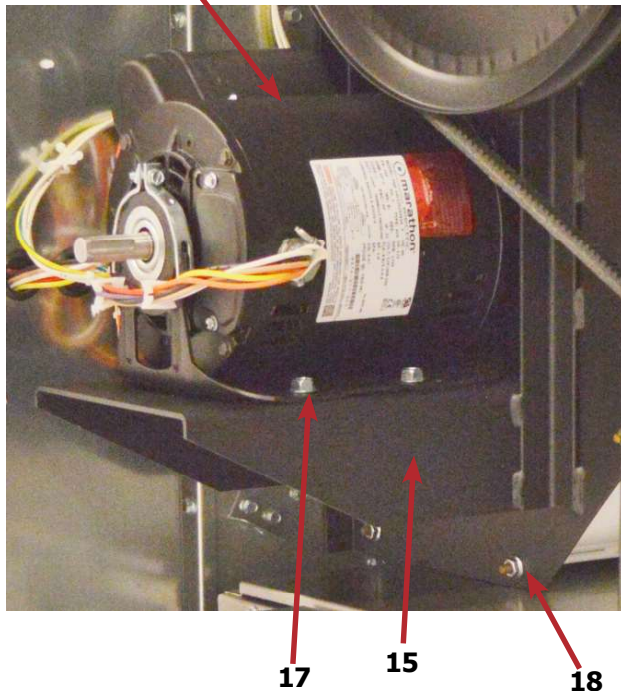
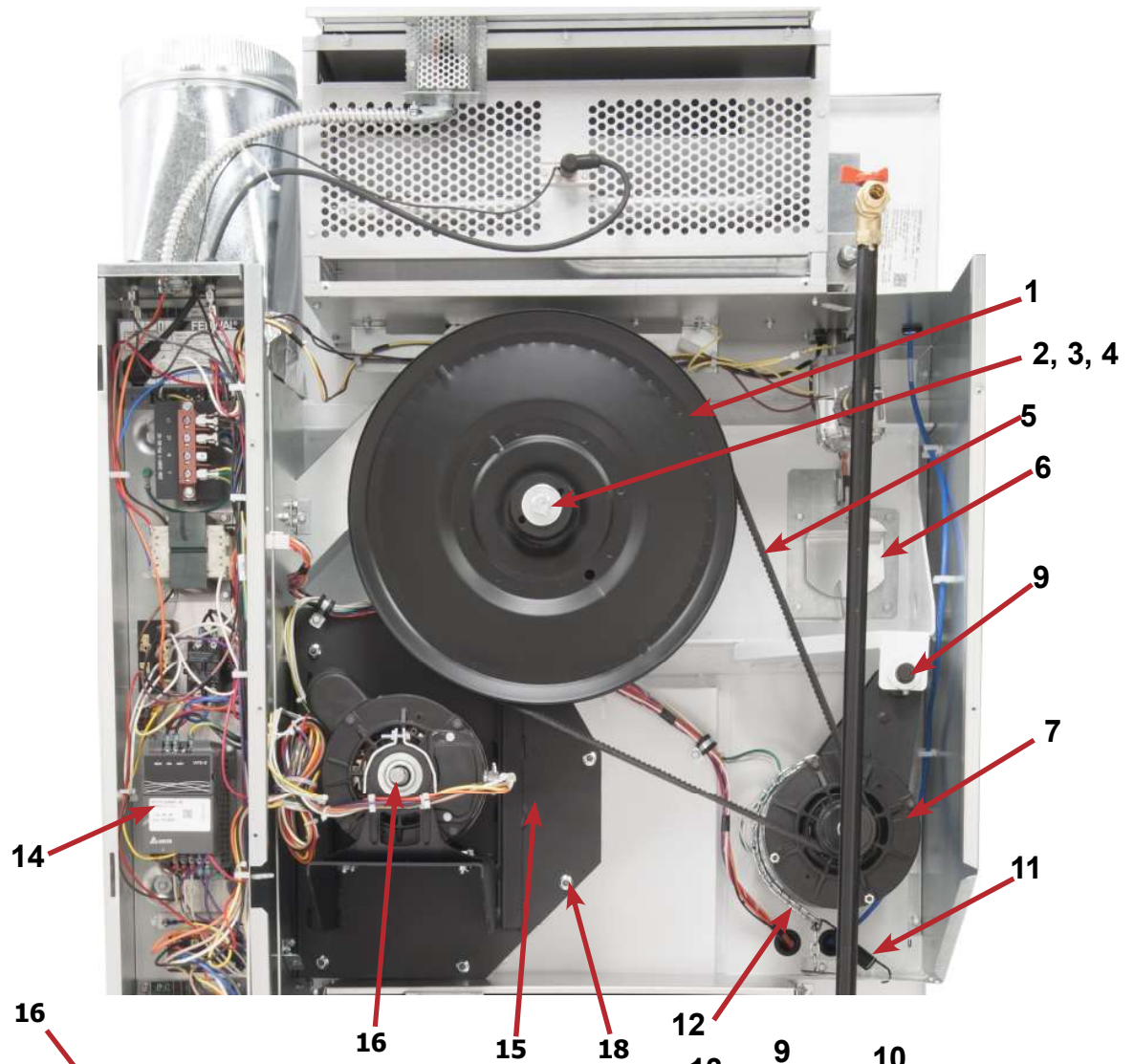
Key	Description	T-50X2-11 Reversing	QTY
*	Housing Assembly, Burner	9803-207-001	2
1	Service Burner Plate Front	9452-730-001	2
2	Service Plate baffle Recirculation Chamber Clean Out	9452-729-001	2
*	Screw, 10B x 3/8"	9545-008-006	8
3	Screw, 10B X 1/4"	9545-008-001	16
4	Angle, Burner Support	9003-220-001	2
*	Screw, 10B x 3/8"	9545-008-006	4
5	Burner, Main	9048-020-002	4
*	Screw 10AB x 3/8"	9545-008-006	4
*	Panel, Back Burner Housing	9454-824-001	2
6	Electrode Assy, Ignition	9875-002-003	2
7	Screw, Electrode Mtg 8B x 1/4"	9545-045-001	4
8	Valve, Gas Shut Off (Optional)	9379-196-001	1
9	Control Assy, Gas	9857-134-001	2
10	Manifold, Assy	9381-012-001	2
*	Orifice, Burner-Natural #29	9425-069-021	4
*	Orifice, Burner-LP #46	9425-069-022	4
11	Bracket, Manifold	9029-175-001	4
12	Pipe Plug in end of Burner Manifold	8615-104-038	2
*	Screw, 10B x 3/8"	9545-008-006	4
13	Thermostat, Hi-Limit	9576-203-002	4
*	Spacer, Hi-Limit	9538-142-001	2
*	Screw 8B x 3/4"	9545-045-007	6
14	Cover, Hi-Limit Stat Ignitor	9074-329-001	2
15	Screw, 10B x 3/8"	9545-008-006	4
*	Thermostat, Safety Shutoff	9576-207-008	2
*	Screw, 10B x 3/8"	9545-008-006	6
16	Cover, Safety Stat	9825-062-001	2
*	Screw, 10AB x 3/8	9545-008-024	6
*	Control, Ignition Fenwall (3 trybox)	9857-182-001	2
*	Kit, LP Conversion 50Lb Stack Kit	9732-102-013	1
*	Welded One Piece Gas Pipe Assembly w/Shutoff Valve	9838-018-003	1
17	Heat Recirculation Duct, (From Exhaust to Burner	9973-032-001	2
*	Screw, 10B x 3/8"	9545-008-006	8

# Burner Housing Group Photos





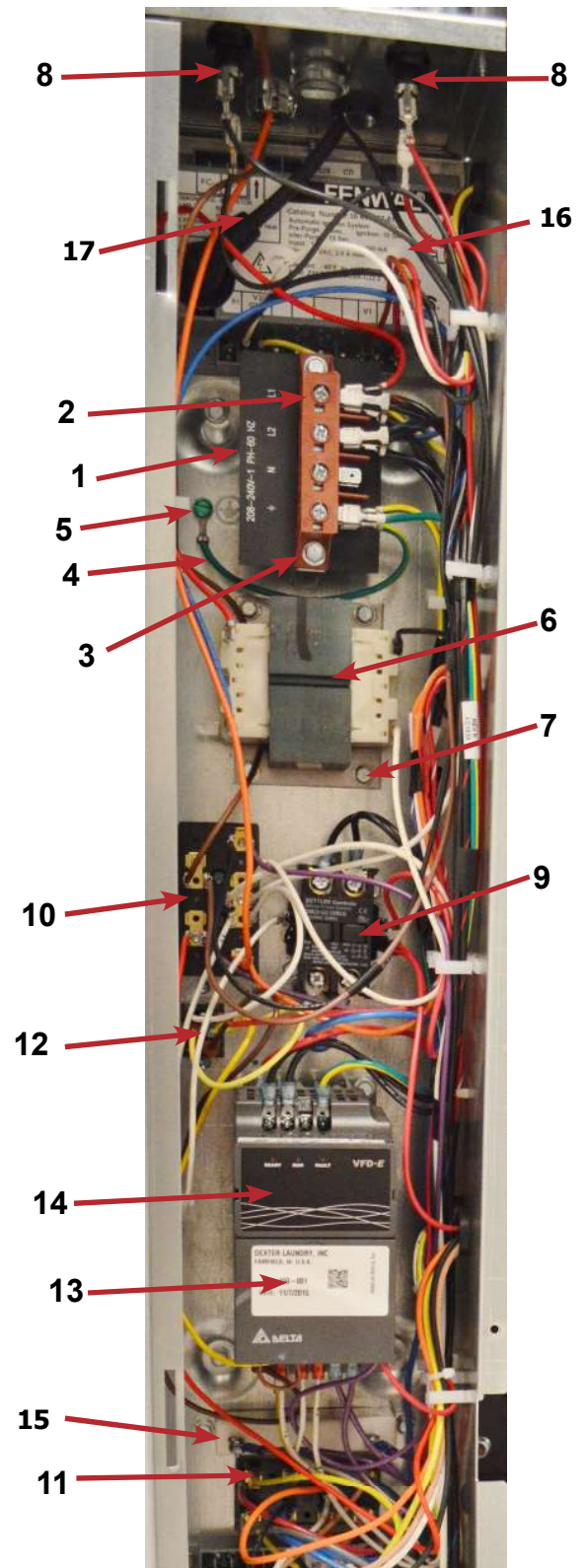
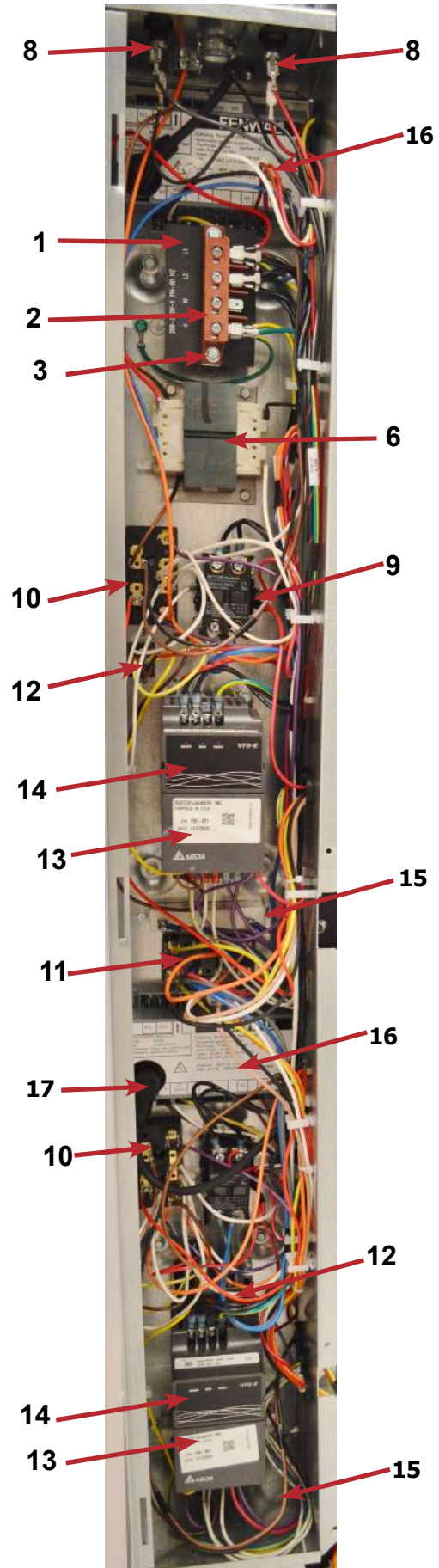
# Rear View Photos



# Control Assembly Group

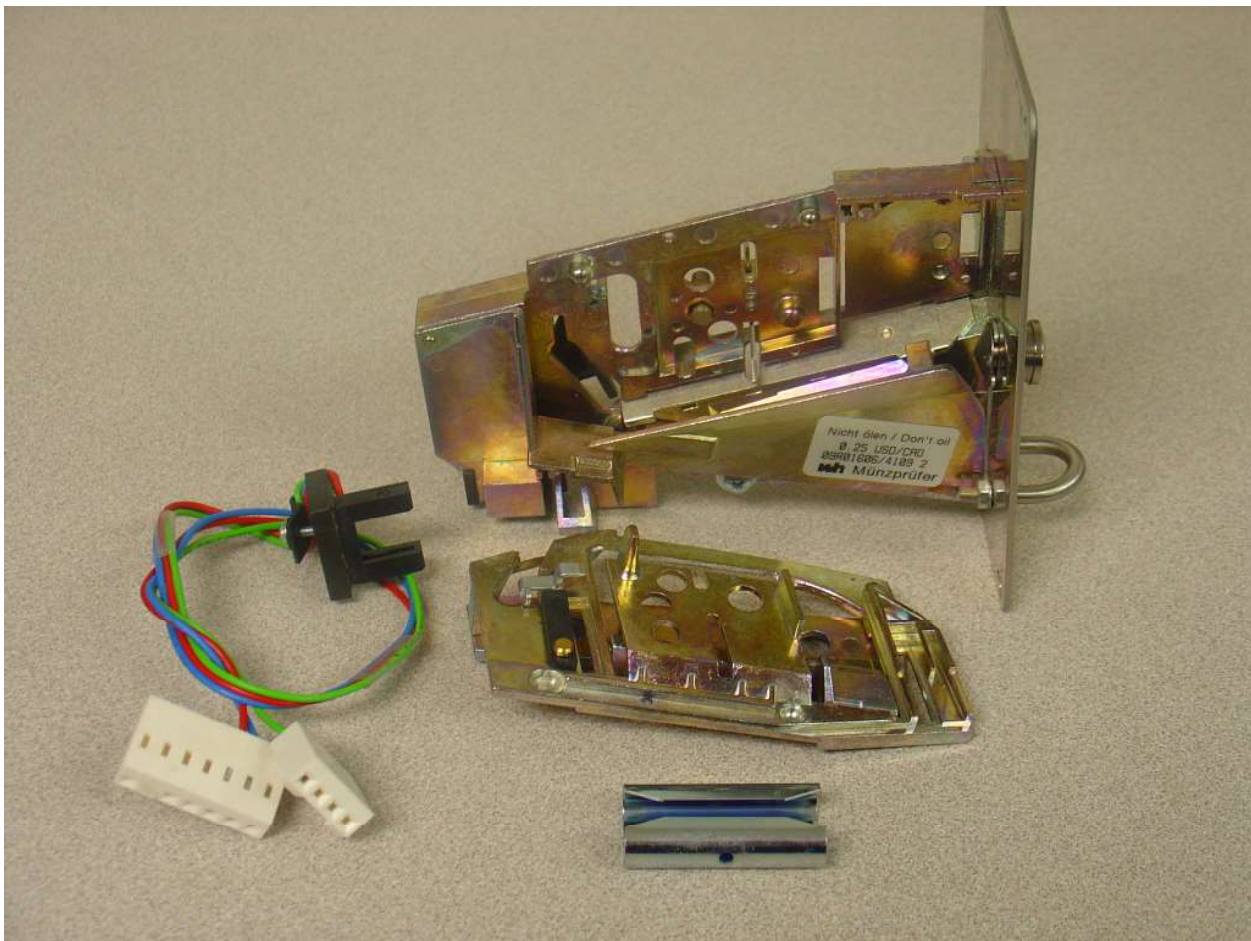
Key	Description	T-50X2-11 Reversing	QTY
*	Control, Rear	9857-223-001	1
*	Bracket, Terminal Block Power	9029-202-001	1
1	Strip, Terminal Marker	9558-029-006	1
2	Terminal-Block, Power, 4 Pole	9897-035-001	1
3	Screw, 10AB x 3/8"	9545-008-024	1
*	Harness Assembly-Power Main Fork, Upper	9627-859-005	1
*	Harness Assembly-Power Main Fork, Lower	9627-859-006	1
4	Wire Assembly-Ground, GRN/YEL, 7"	8220-137-002	1
*	Lock Washer, Ext tooth	8641-582-006	1
5	Screw, 10-32 x 1"	9545-008-027	1
6	Transformer, 208/240/60Hz. 24/120VA	8711-013-001	1
7	Screw, 10AB x 3/8"	9545-008-024	4
8	Fuse Holder Assembly	9200-001-002	3
*	Fuse, 1.5Amp/250V-Fast Acting	8636-018-001	2
*	Fuse, 2.5Amp/250V-Fast Acting	8636-018-004	1
9	Relay, Motor, 30Amp 24VAC	5192-299-002	2
*	Screw, Phillips, 8AB x 1/2"	9545-045-012	4
10	Terminal Block, Power	9897-026-003	2
*	Screw, Phillips, 8AB x 1/2"	9545-045-012	4
11	Terminal Block Power	9897-026-002	1
*	Screw, Phillips, 8AB x 1/2"	9545-045-012	2
12	Relay-Enable, 24Vac 50/60Hz	5192-285-004	2
*	Screw, Phillips, 8AB x 3/8"	9545-045-008	4
13	Drive-Inverter, 230V,	9375-032-010	2
*	Screw-Mounting, 10B x 1/2"	9545-008-026	8
14	Key-Pad, Display, Delta E-Drive	9150-044-001	2
15	Resister-Dynamic Breaking, 200Ohm	9483-004-002	2
*	Screw, 10AB x 3/8"	9545-008-024	4
*	Wire Assembly, Violet, 8"	8220-118-003	4
*	Screw, #6-32 x 5/16"	9545-044-006	4
*	Nut, Hexkeps, #6-32	8640-411-003	4
*	Harness-Assembly, Low Voltage, Upper	9627-867-007	1
*	Harness-Assembly, Low Voltage, Upper	9627-867-008	1
16	Ignition Module	9857-182-001	2
*	Screw, 10AB x 3/4"	9545-008-018	4
17	Wire Assembly, High Voltage	9631-403-009	2
*	Door-Control Box	9108-139-001	1
*	Screw, 10AB x 3/8"	9545-008-024	3



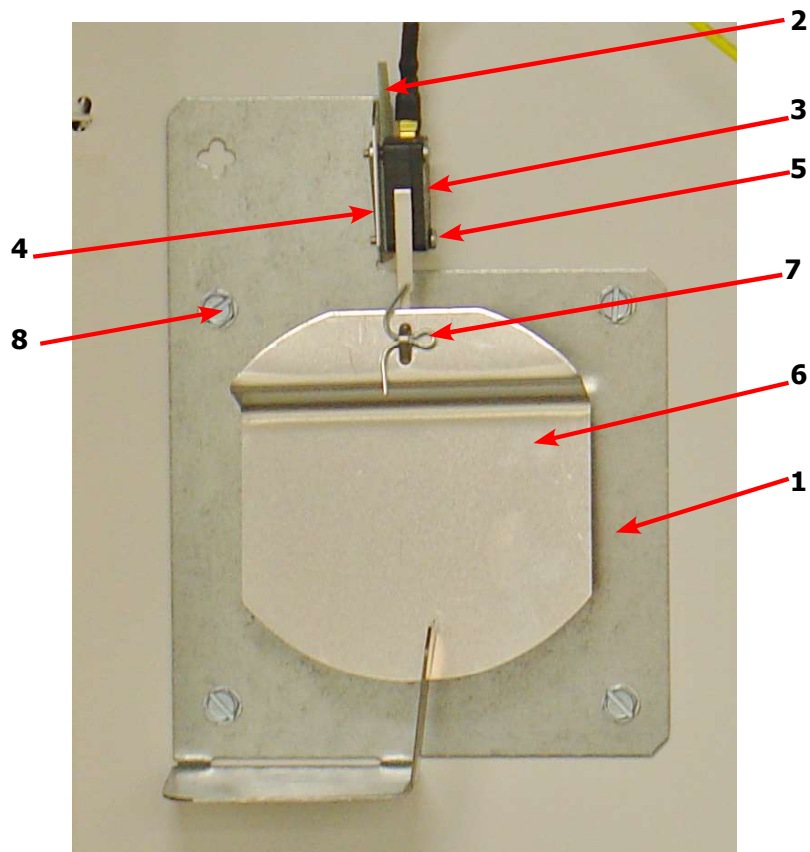


# Coin Acceptor

Key	Description	T-50X2-11 Reversing	QTY
1	Coin Acceptor, Optical	9021-041-001	1
2	Sensor-Optical, Replacement	9801-099-001	1
3	Screw, Heighth Bar, 3mm	9454-039-002	2
*	Retainer, Coin Acceptor	9486-136-001	1
*	Screw, Torx T-10, 4BX5/8 ss	9545-053-002	4

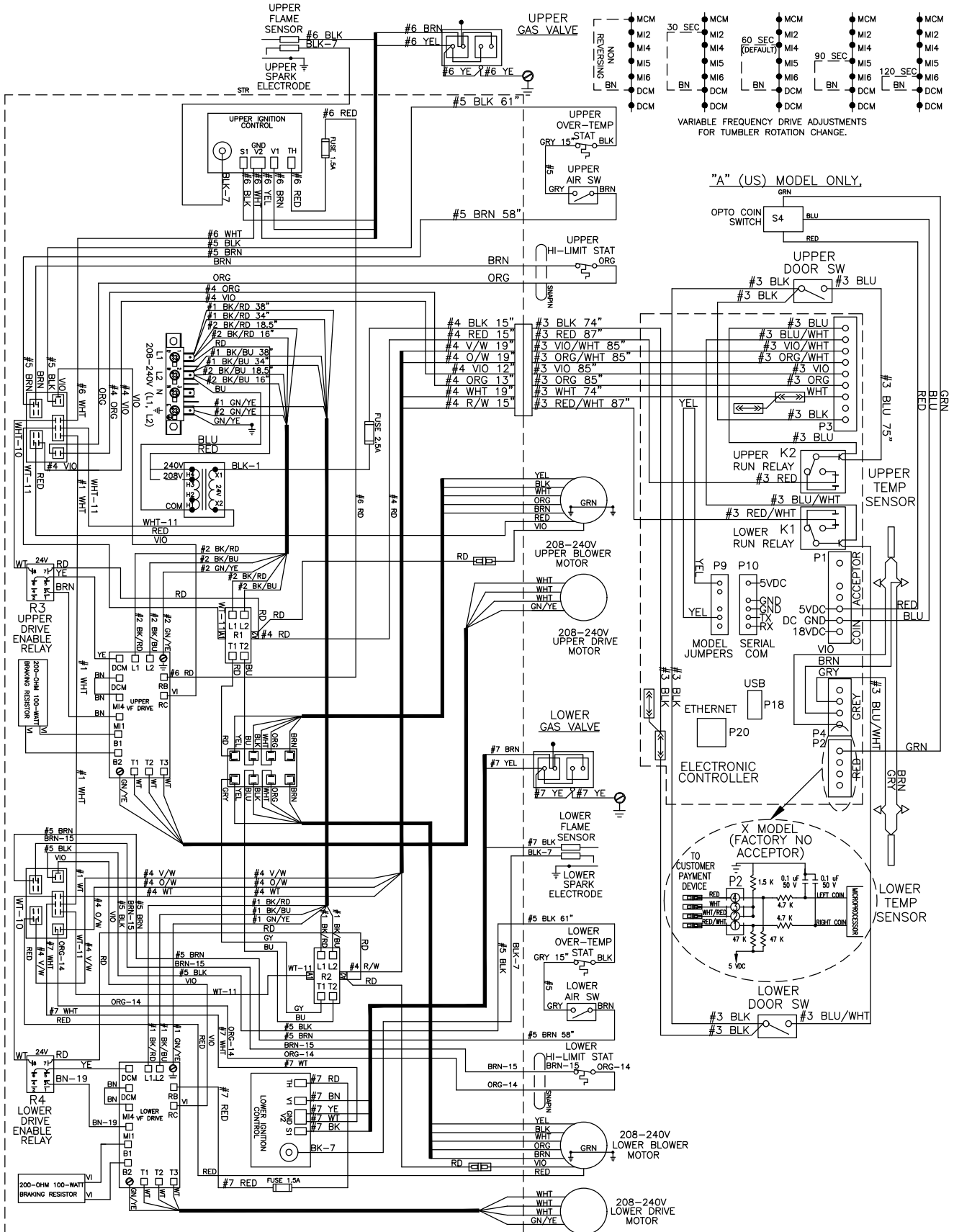


# Air Flow Switch Assembly



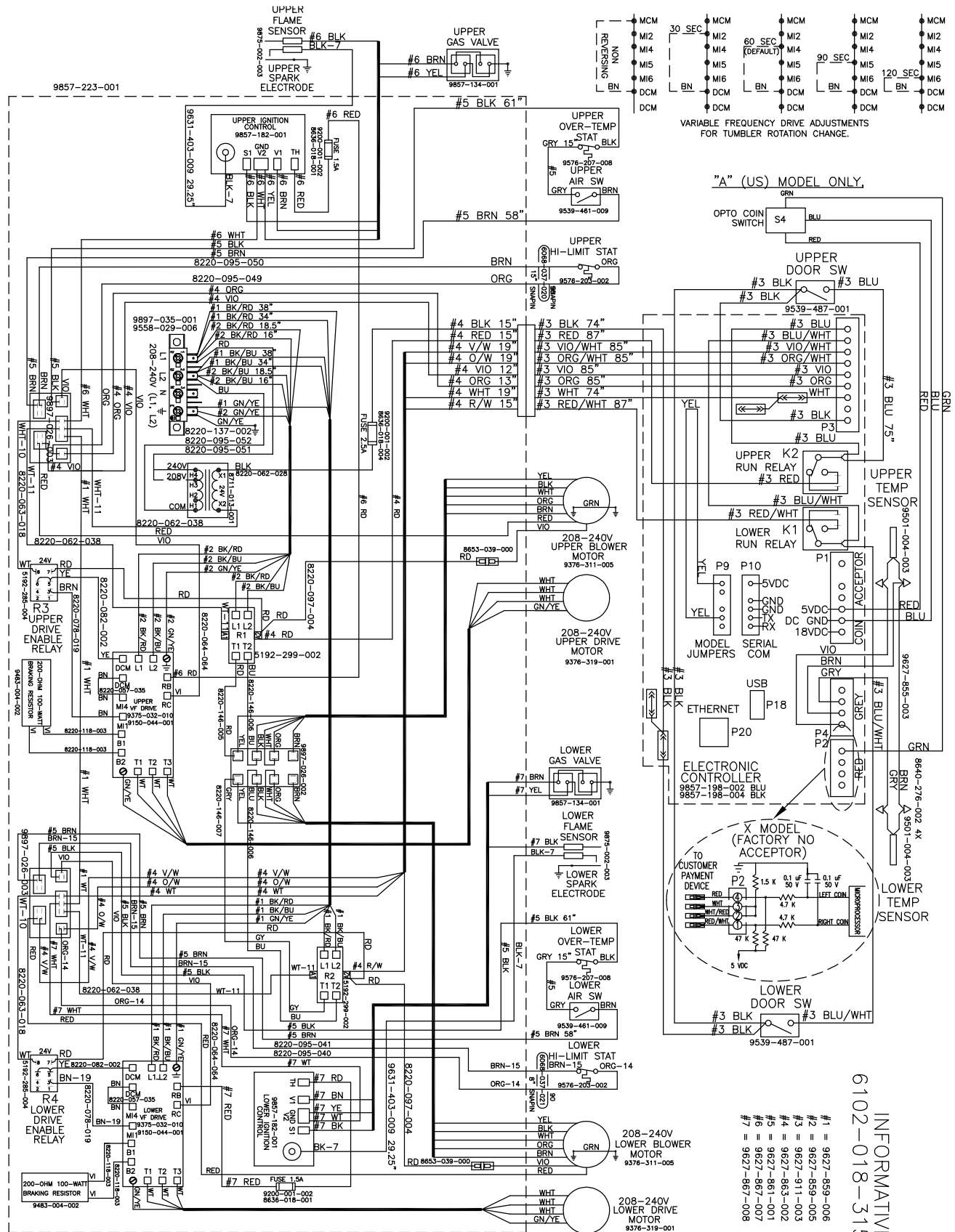
Key	Description	T-50X2-11 Reversing	QTY
*	Air Flow switch Assy	9801-098-001	2
1	Bracket-Airflow switch	9029-200-001	2
2	Shield-Switch	9550-169-003	2
3	Switch-Micro	9539-461-009	2
4	Nut-Twin, 4-40	8640-401-001	2
5	Screw-.625, 4-40	9545-020-001	2
6	Actuator-Air Flow Switch	9008-007-001	2
7	Pin-Cotter, .09375x.75	9451-169-002	2
8	Screw, 10Bx1/4	9545-008-001	8
*	Harness Assembly, Overtemp/Airflow	9627-861-001	1

# Wiring Schematic for DC50x2



9506-790-001B WIRING DIAGRAM DC50X2NC-11EC\_MR

# Wiring Diagram for DC50x2



9506-790-001A WIRING DIAGRAM DC50X2NC-11EC\_R



---

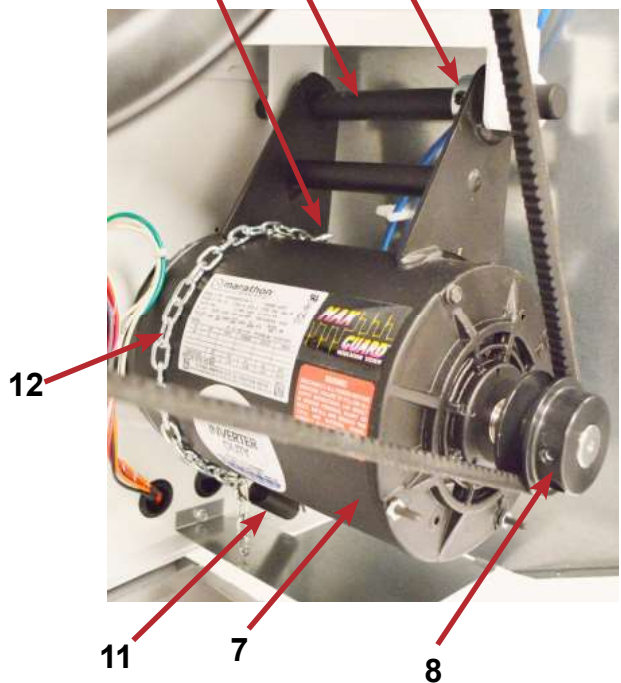
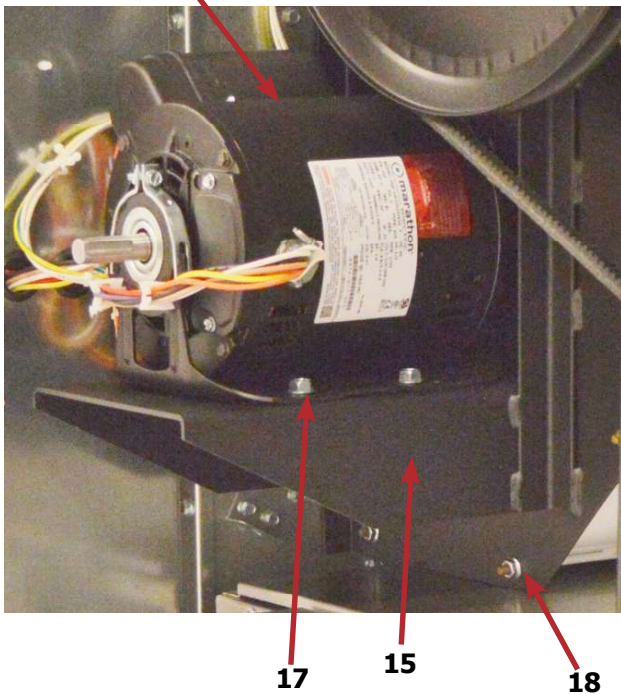
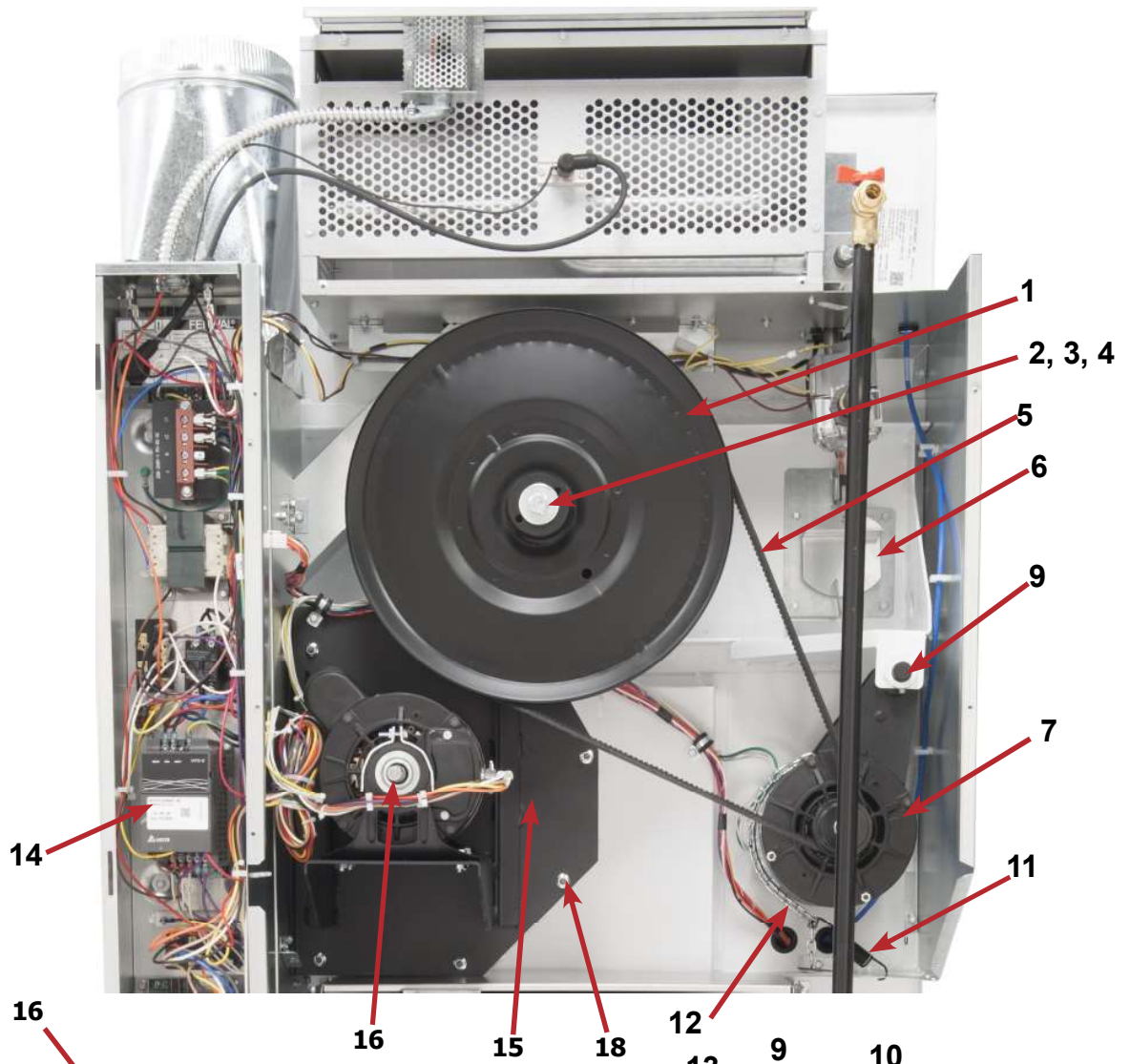
# **Section 9:**

## 50Hz.





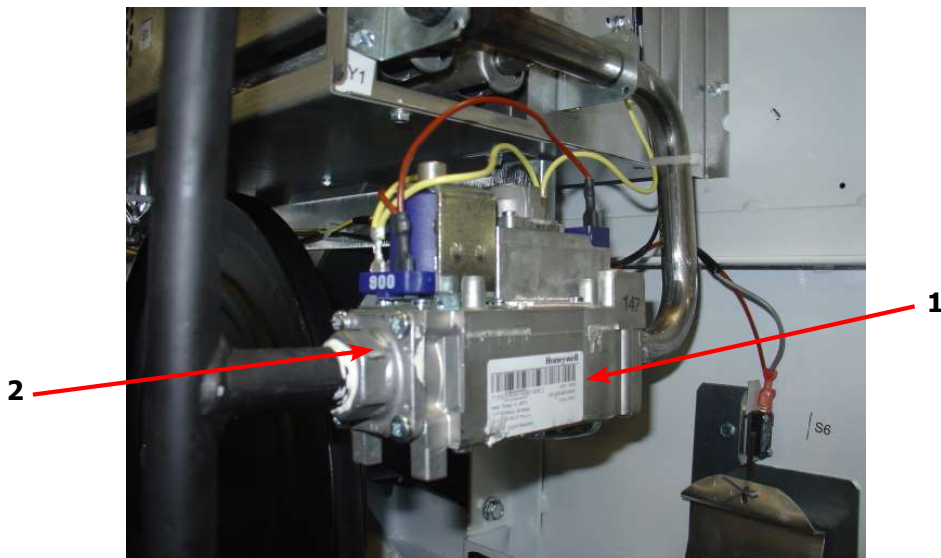
# Rear View Photos



# Electrical Components

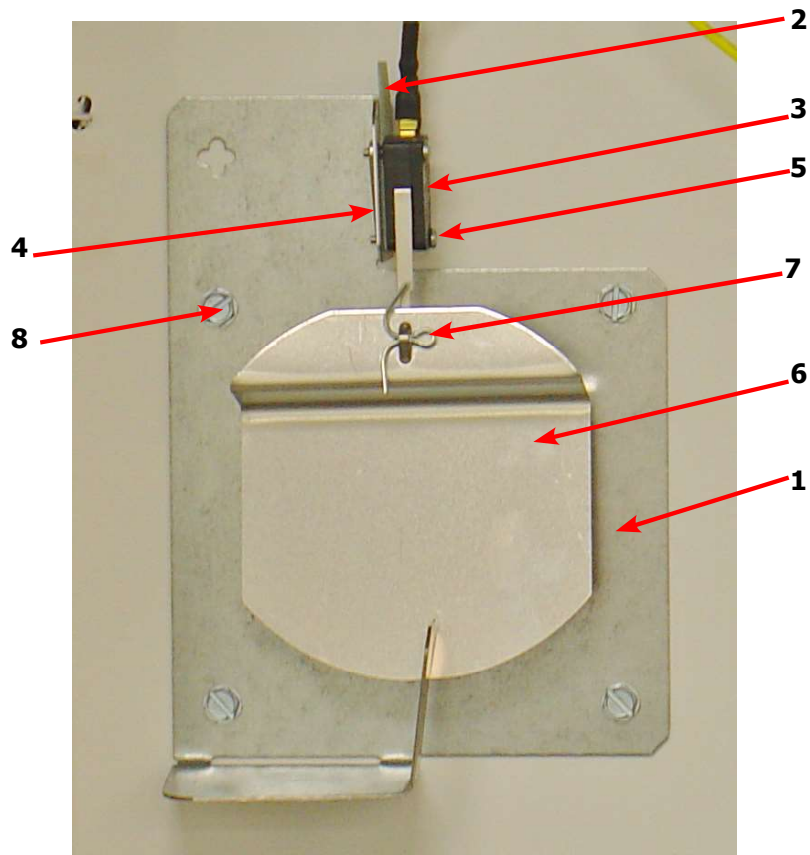


Key	Description	T-50X2-49 Reversing	QTY
1	Transformer, 200/230-24 VAC, 50/60HZ	8711-004-004	1
*	Strip-Marker, Terminal	9558-029-004	1



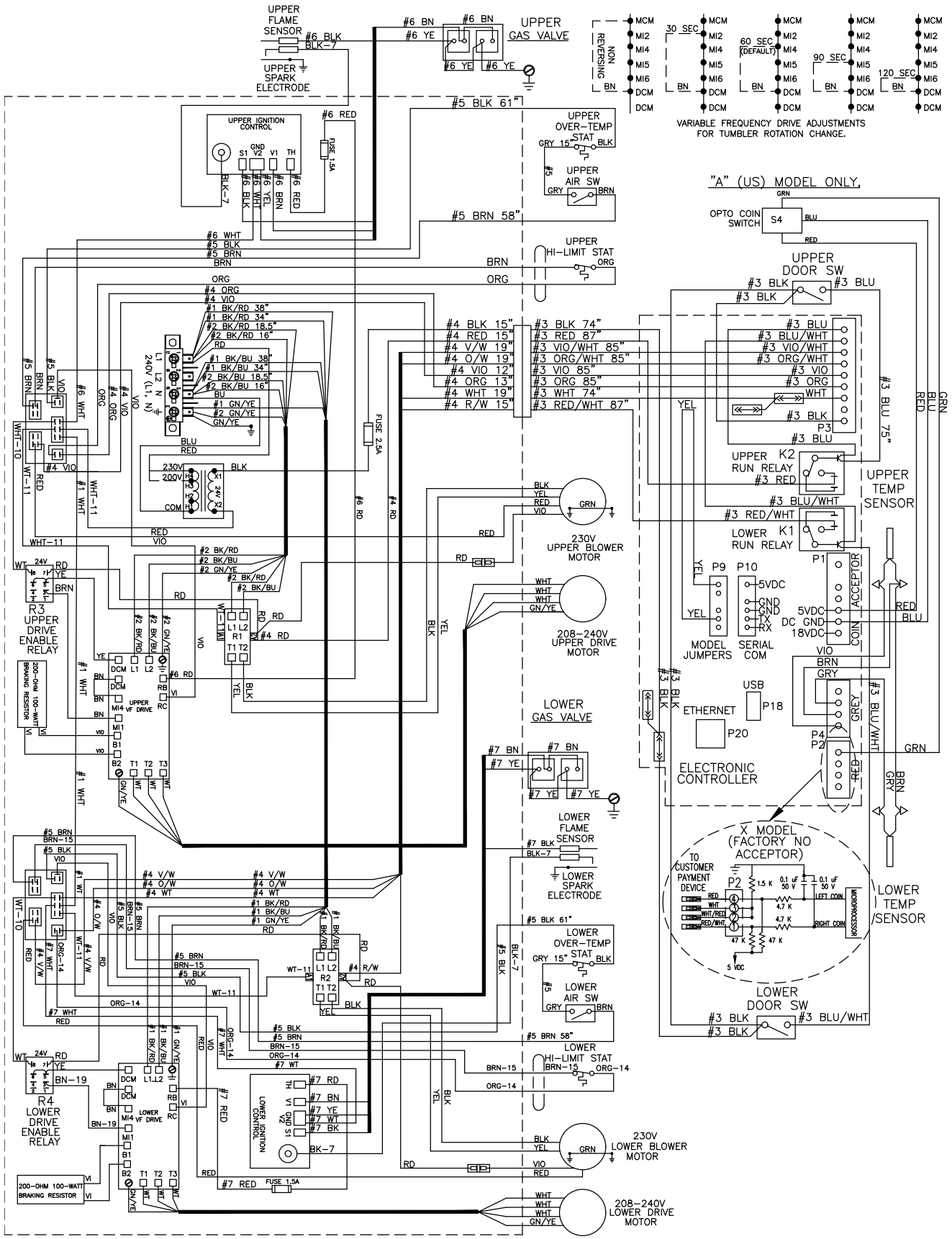
Key	Description	T-50X2-49 Reversing	QTY
1	Control Assembly, Gas Valve	9857-132-004	2
2	Kit-Honeywell VR86, Valve Flange assy	9732-162-001	4
*	Orifice, Main Burner, #30	9425-069-002	4

# Air Flow Switch Assembly



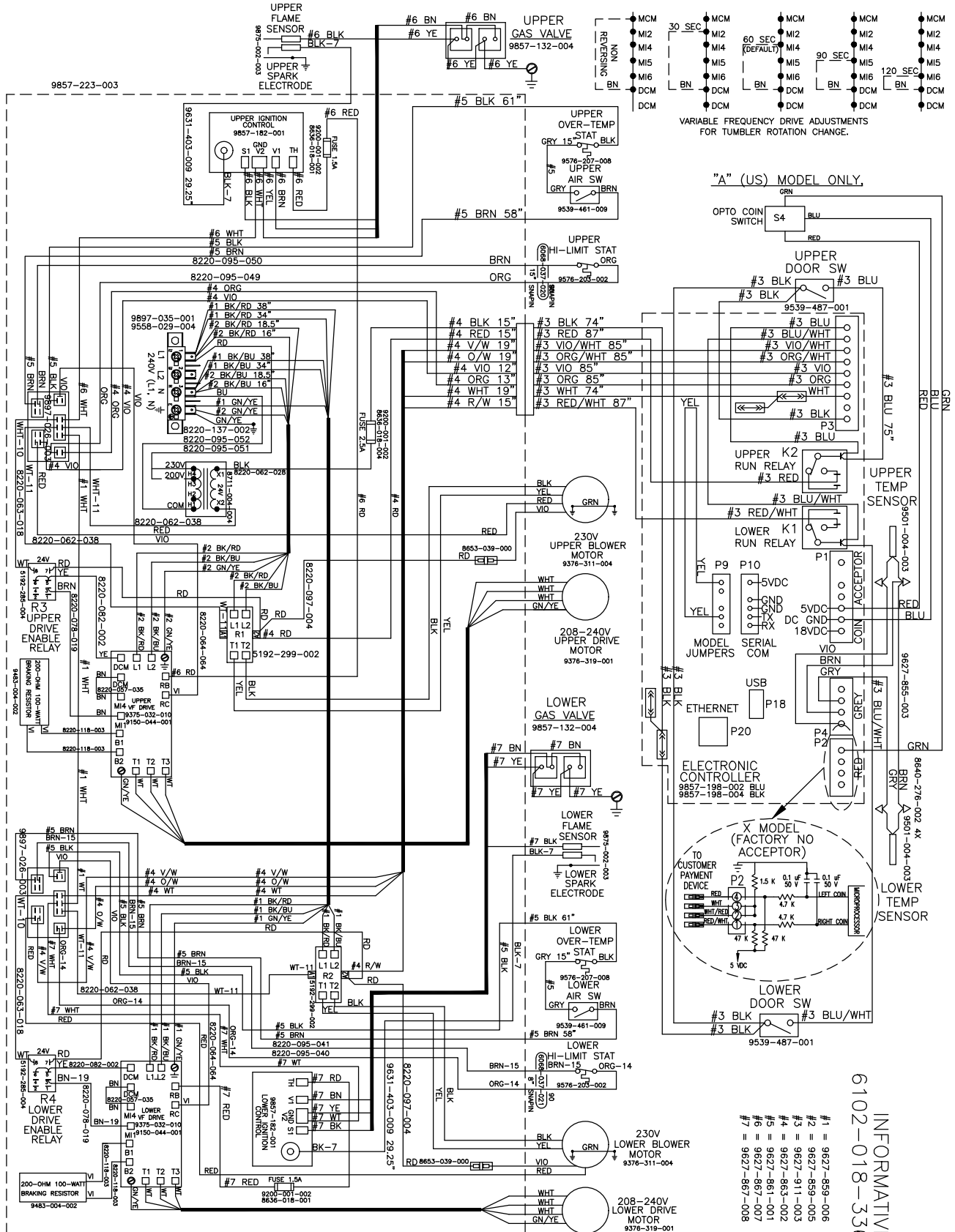
Key	Description	T-50X2-49 Reversing	QTY
*	Air Flow switch Assy	9801-098-002	2
1	Bracket-Airflow switch	9029-200-002	2
2	Shield-Switch	9550-169-003	2
3	Switch-Micro	9539-461-009	2
4	Nut-Twin, 4-40	8640-401-001	2
5	Screw-.625, 4-40	9545-020-001	2
6	Actuator-Air Flow Switch	9008-007-001	2
7	Pin-Cotter, .09375x.75	9451-169-002	2
8	Screw, 10Bx1/4	9545-008-001	8
*	Harness Assembly, Overtemp/Airflow	9627-861-001	1

# Wiring Schematic for DC50x2 -49



9506-804-001PR WIRING DIAGRAM DC50X2NC-49\_C\_R

# Wiring Diagram for DC50x2 -49



9506-804-001PR WIRING DIAGRAM DC50X2NC-49\_C\_M

**IMPORTANT: RETAIN THIS ELECTRICAL DIAGRAM FOR SERVICE.**

6102-018-336PR  
 INFORMATIVE

