

EX618-EX670co-cc

Washer extractor
Laveusesessoreuses

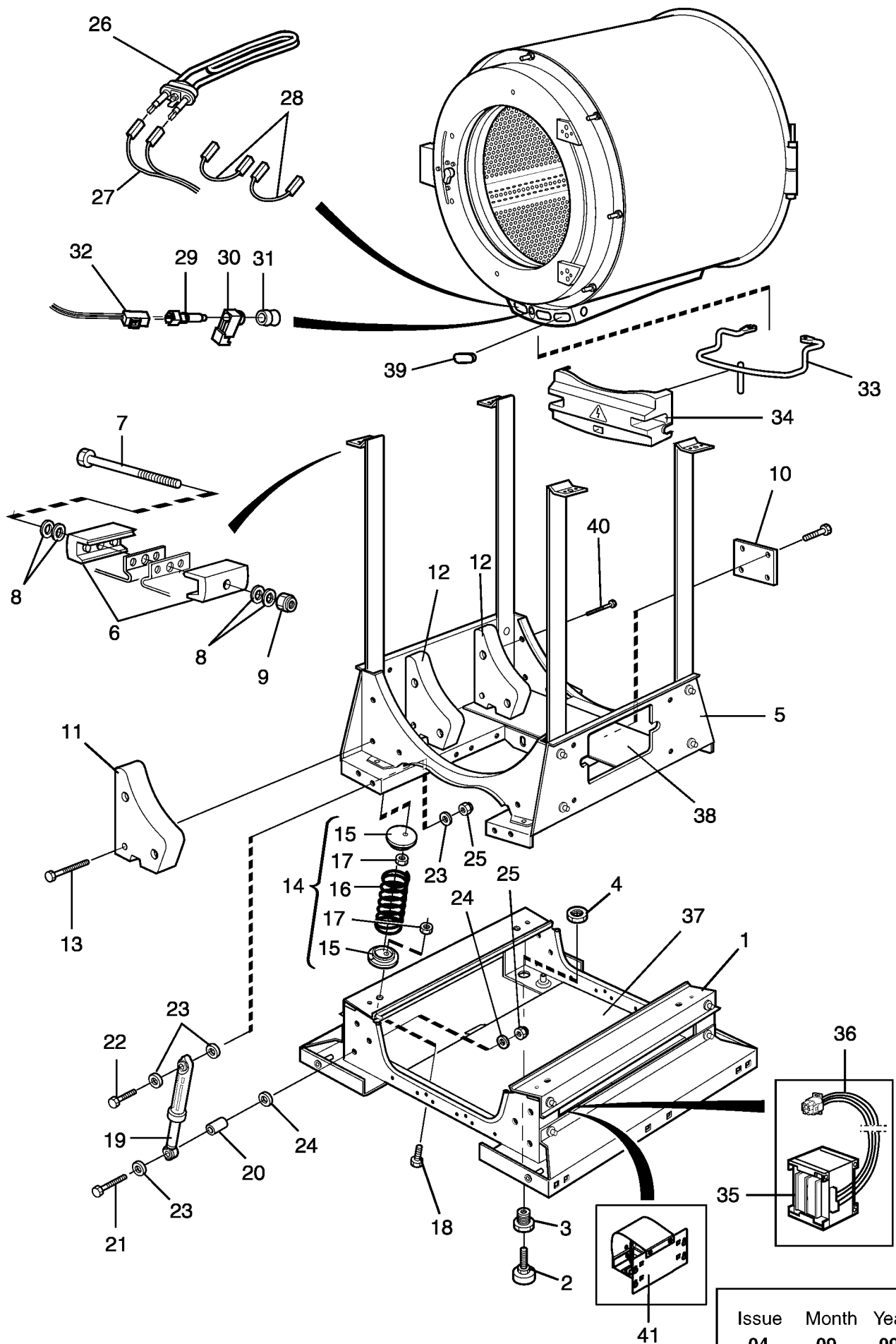
List of issues

EX618co,EX625co,EX630co,EX640co,EX655co,EX670co

Illustration	Page	Table of contents
102298	29	Lining and top panel
102299	33	Lining and top panel
102301	39	Drum, rear gable
102302	43	Door and hinged joint
102316	75	Water connections
102343	89	Drain valve
102344	97	Detergent container
102378	61	Control panel
102380	69	Electric components connection
102383	85	Inlet valves and cable set
102384	83	Inlet valves and cable set
102385	87	Inlet valves and cable set
102481	77	Inlet valves and cable set
102482	79	Inlet valves and cable set
102483	81	Inlet valves and cable set
102485	73	Drain valve and hoses
102486	115	Compass control loader
102490	53	Motor
102491	57	Motor control
102492	91	Drain valve, electrical
102493	93	Drain pump
102494	9	Base and outer drum
102495	11	Base and outer drum
102496	13	Base and outer drum
102497	17	Base and outer drum
102498	21	Base and outer drum
102499	25	Base and outer drum
102500	45	Door lock
102501	95	Steam components
102596	101	Emergency stop
102672	113	Coin meter
102676	99	Out of balance switch
102679	65	Programmer
500109	105	Coin box
500110	107	Coinbox USA
500114	109	Electronic coin meter
500115	103	Coin box

EX618co,EX625co,EX630co,EX640co,EX655co,EX670co

Table of contents	Table des matières	Page/Page
Base and outer drum	Base et tambour externe	9
Base and outer drum	Base et tambour externe	11
Base and outer drum	Base et tambour externe	13
Base and outer drum	Base et tambour externe	17
Base and outer drum	Base et tambour externe	21
Base and outer drum	Base et tambour externe	25
Lining and top panel	Panneau frontal avec pupitre de commande	29
Lining and top panel	Panneau frontal avec pupitre de commande	33
Drum, rear gable	Tambour, pignon arrière	39
Door and hinged joint	Assemblage articulé et plaque	43
Door lock	Serrure de porte	45
Motor	Moteur	53
*Motor control	Contrôle du moteur	57
Control panel	Pupitre de commande	61
Programmer	Minuterie	65
Electric components connection	Composants électriques raccordement électrique	69
Drain valve and hoses	Purgeur et flexible	73
*Water connections	Raccords d'eau	75
Inlet valves and cable set	Inlet valves and cable set	77
Inlet valves and cable set	Inlet valves and cable set	79
Inlet valves and cable set	Inlet valves and cable set	81
Inlet valves and cable set	Inlet valves and cable set	83
Inlet valves and cable set	Inlet valves and cable set	85
Inlet valves and cable set	Inlet valves and cable set	87
Drain valve	Vanne de vidange	89
Drain valve, electrical	Drain valve, electrical	91
Drain pump	Pompe de vidange	93
Steam components	Composants	95
Detergent container	Compartiment à savon	97
Out of balance switch	Commutateur asymétrique	99
Emergency stop	Arrêt d'urgence	101
Coin box	Boîtier à jetons	103
Coin box	Boîtier à jetons	105
Coinbox USA	Boîtier à jetons USA	107
Electronic coin meter	Monnayeur électronique	109
Coin meter	Monnayeur	113
Compass control loader	Compass control loader	115

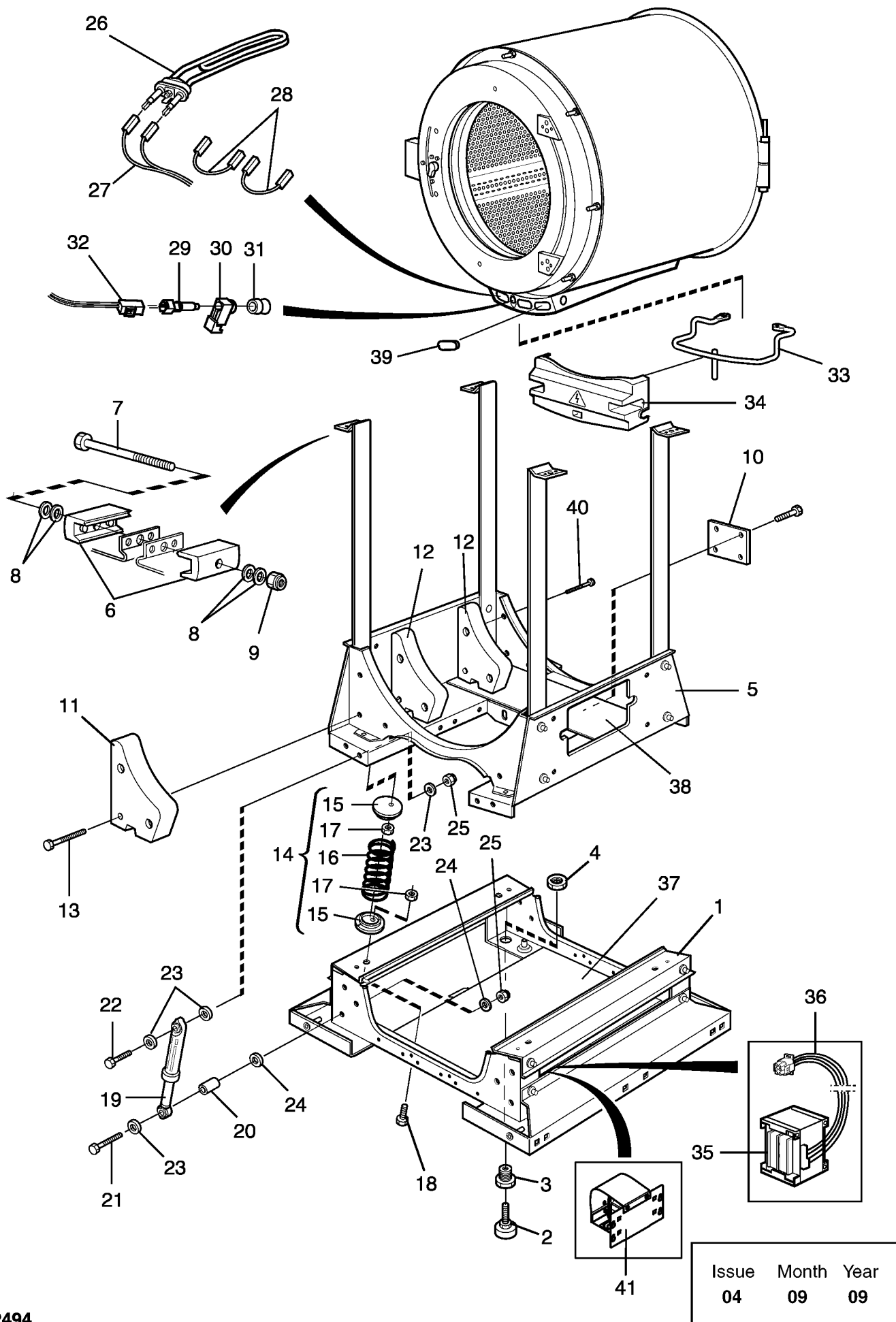


Issue	Month	Year
04	09	09

EX618co**Base and outer drum****Base et tambour externe**

Illustration	Issue	Month	Year
Schéma	Issue	Month	Year
102494/1	6	10	2010

Item Article	Qua. Qua.	Art.No Réf. article	Description	Description	Info Info	Notes Remarques
1	1	432 1211-02	Frame	Base	3	Lower
2	4	438 8160-01	•Foot	•Pied	3	
3	4	432 1458-01	•Bushing	•Douille	3	M10
4	4	471 8413-01	•Nut	•Écrou	3	M20
5	1	432 1212-03	Frame	Base	3	Upper
6	4	432 1453-01	•Tensioner	•Crochet	3	
7	2	725 2465-71	•Screw	•Vis	3	M8X70
8	8	471 7807-02	•Tension plate	•Tôle de serrage	3	18x8,4x2
9	2	732 2118-01	•Locking nut	•Contre-écrou	3	M8
10	1	432 1459-01	•Bracket	•Support	3	-520/111627 520/111641- 115133 520/115144-120398 520/120409-121020
	1	432 1459-02	•Bracket	•Support	3	520/111628-111640 520/115134-115143 520/120399-120408 520/121021-
11	2	432 1206-01	•Counterweight	•Contrepoids	3	
12	Rq	432 1257-01	•Counterweight	•Contrepoids	3	
13	6	471 8328-07	•Screw	•Vis	3	M8X65
14	1	472 9913-03	Suspension	Ressorts de suspension	1	Kit compl.
15	8		•Spring retainer	•Montage suspension		
16	4		•Spring	•Ressort		
17	8		•Nut	•Écrou		
18	8	471 8328-06	Screw	Vis	3	
19	1	472 9913-08	Shock absorber	Frotteurs	1	Complete kit, 4 pcs
20	4	471 8555-03	Bushing	Douille	3	
21	4	725 2464-51	Screw	Vis	3	M8X65
22	4	725 2461-51	Screw	Vis	3	M8X50
23	12	471 8502-34	Washer	Rondelle	3	8,4x24x2
24	12	471 8502-34	Washer	Rondelle	3	8,4x24x2
25	8	732 2118-01	Locking nut	Contre-écrou	3	M8
26	3	471 9821-01	Heating element	Élément chauffant	1,2	2,5kW 240V
	3	471 9821-04	Heating element	Élément chauffant	1,2	1kW 240V
	3	471 9821-05	Heating element	Élément chauffant	1,2	1,8kW 240V
	3	471 9821-06	Heating element	Élément chauffant	1,2	0,665kW 240V
	3	471 9821-07	Heating element	Élément chauffant	1,2	2,5kW 254V
	3	471 9821-08	Heating element	Élément chauffant	1,2	2,5kW 277V
	3	471 9828-01	Heating element	Élément de chauffage	1,2	1.33kW 230V Mop - 520/999999, -522/410703
	3	471 9835-01	Heating element	Élément chauffant	1,2	2,5kW 240V Mop 522/410704-
27	1	432 2950-01	Cable set	Jeu de câbles	3	Heating 400V
	1	432 2951-04	Cable set	Jeu de câbles	3	230V
28	2	432 2953-01	Cable set	Jeu de câbles	3	400V
29	1	472 9904-98	Sensor	Capteur	1,2	Complete
30	1		•Discharge	•Collier de serrage		
31	1		•Bushing	•Douille		
32	1	413 3272-06	Cable set	Jeu de câbles	3	
33	1	432 1653-01	Clamp	Bride de fixation	3	
34	1	432 1654-01	Cover	Couvercle	3	
35	1	438 9569-01	Transformer	Transformateur	1	200V
	1	438 9565-01	Transformer	Transformateur	1	100-120V
36	1	432 2985-01	Cable set	Jeu de câbles	3	200V
	1	432 2998-01	Cable set	Jeu de câbles	3	100-120V
37	1	438 7509-01	Insulation	Isolation	3	
38	1	438 7510-01	Insulation	Isolation	3	-520/111627 520/111641- 115133 520/115144-120398 520/120409-121020
39	Rq	471 9821-99	Plug	Fiche	3	
40	6	471 8328-05	Screw	Vis	3	M8X20



Issue	Month	Year
04	09	09

EX618co

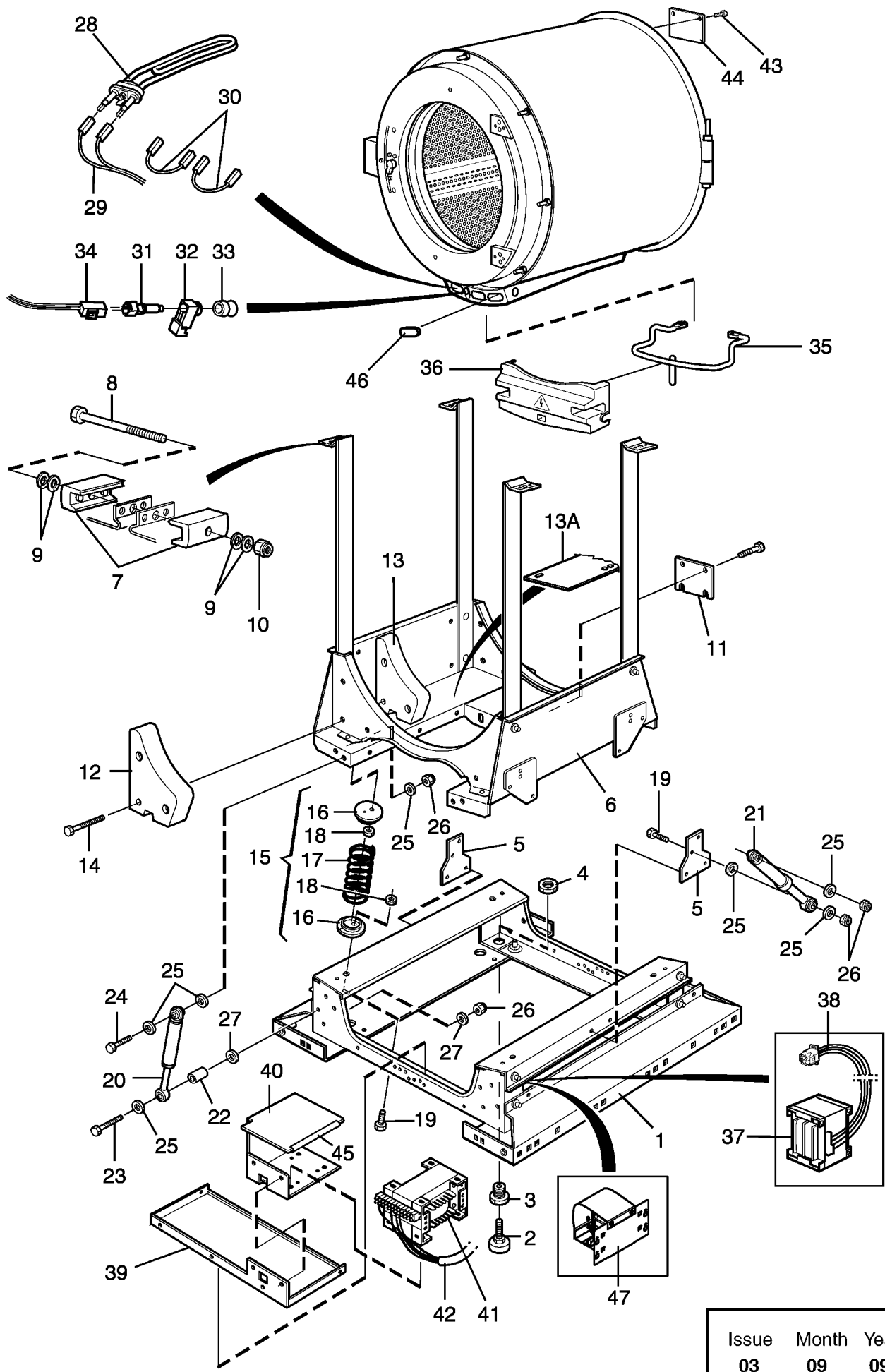
Base and outer drum

Base et tambour externe

Illustration	Issue	Month	Year
Schéma	Issue	Month	Year
102494/1	6	10	2010

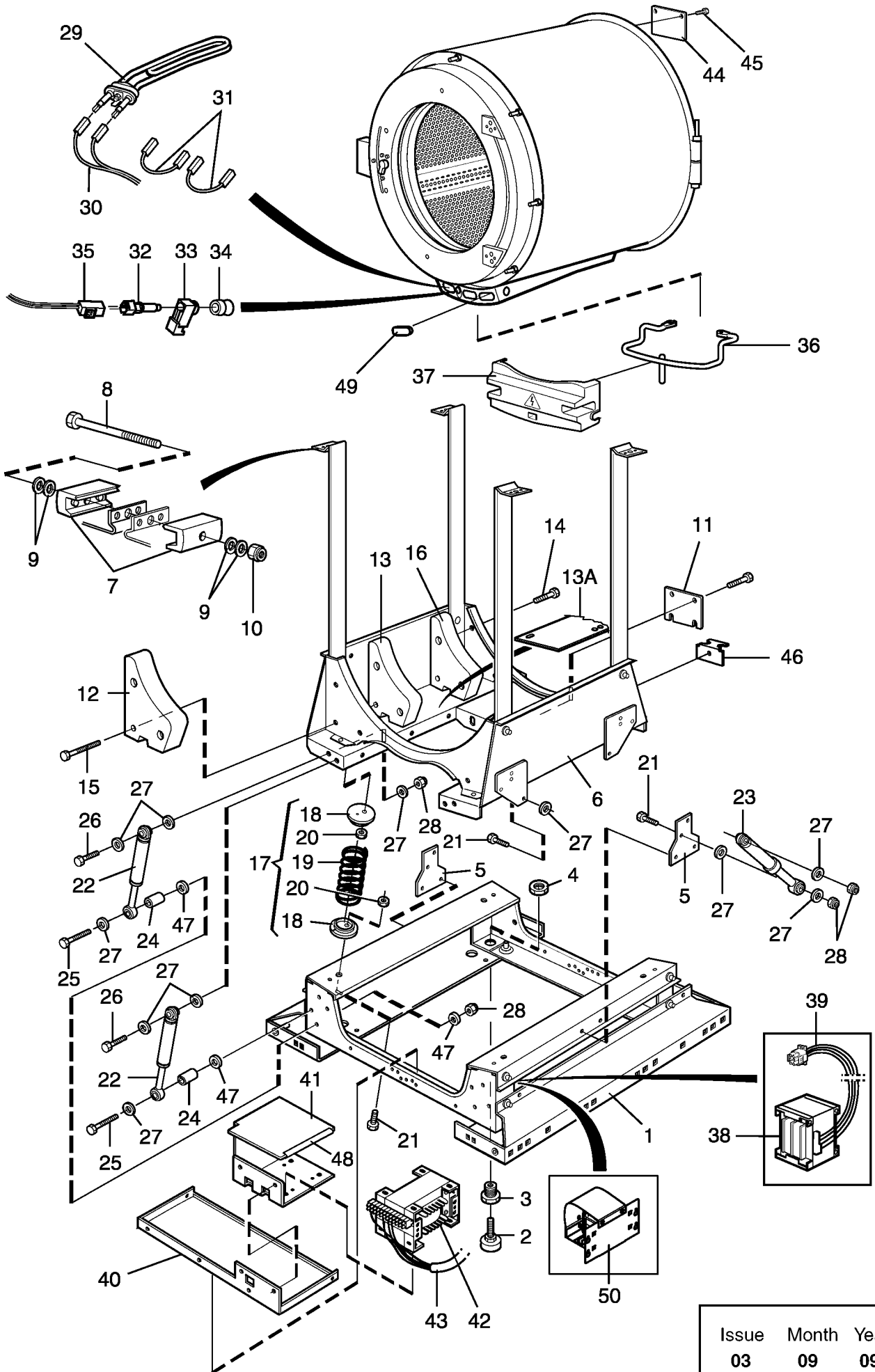
Item Article	Qua. Qua.	Art.No Réf. article	Description	Description	Info Info	Notes Remarques
41	1	413 3704-10	Choke	Choke	1	7,5A

EX625co					Illustration	Issue	Month	Year
Base and outer drum					Schéma	Issue	Month	Year
Base et tambour externe					102495/1	6	6	2010
Item	Qua.	Art.No	Description	Description	Info	Notes		
Article	Qua.	Réf. article			Info	Remarques		
1	1	432 1261-01	Frame	Base	3	Lower		
2	4	438 8160-01	•Foot	•Pied	3			
3	4	432 1458-01	•Bushing	•Douille	3	M10		
4	4	471 8413-01	•Nut	•Écrou	3	M20		
5	1	432 1262-02	Frame	Base	3	Upper		
6	4	432 1453-01	•Tensioner	•Crochet	3			
7	2	725 2465-71	•Screw	•Vis	3	M8X70		
8	8	471 7807-02	•Tension plate	•Tôle de serrage	3	18x8,4x2		
9	2	732 2118-01	•Locking nut	•Contre-écrou	3	M8		
10	1	432 1459-01	•Bracket	•Support	3			
11	2	432 1256-01	•Counterweight	•Contrepoids	3			
12	2	432 1264-01	•Counterweight	•Contrepoids	3			
13	2	432 1265-01	•Counterweight	•Contrepoids	3			
14	6	471 8328-07	•Screw	•Vis	3	M8X65		
15	10	471 8328-05	•Screw	•Vis	3	M8X20		
16	1	472 9913-04	Suspension	Ressorts de suspension	1	Kit compl.		
17	8		•Spring retainer	•Montage suspension				
18	4		•Spring	•Ressort				
19	8		•Nut	•Écrou				
20	8	471 8328-06	Screw	Vis	3			
21	1	472 9913-08	Shock absorber	Frotteurs	1	Complete kit, 4 pcs		
22	4	471 8555-03	Bushing	Douille	3			
23	4	725 2464-51	Screw	Vis	3	M8X65		
24	4	725 2461-51	Screw	Vis	3	M8X50		
25	12	471 8502-34	Washer	Rondelle	3	8,4x24x2		
26	8	732 2118-01	Locking nut	Contre-écrou	3	M8		
27	3	471 9821-11	Heating element	Élément chauffant	1,2	3,3kW 240V		
	3	471 9821-12	Heating element	Élément chauffant	1,2	2,5kW 240V		
	3	471 9821-13	Heating element	Élément chauffant	1,2	3,3kW 254V		
	3	471 9821-15	Heating element	Élément de chauffage	1,2	3.3kW 277V		
	3	471 9821-14	Heating element	Élément chauffant	1,2	1kW 240V		
	3	471 9828-11	Heating element	Élément de chauffage	1,2	1.6kW 230V Mop -595/107008		
	3	471 9835-11	Heating element	Élément de chauffage	1,2	3.33kW 240V Mop 595/107009-		
	3	471 9832-13	Heating element	Élément de chauffage	1,2	3.33kW 254V Mop 595/107009-		
	3	471 9832-15	Heating element	Élément de chauffage	1,2	3.33kW 277V Mop 595/107009-		
28	1	432 2950-01	Cable set	Jeu de câbles	3	Heating 400V		
	1	432 2951-04	Cable set	Jeu de câbles	3	230V		
29	2	432 2953-01	Cable set	Jeu de câbles	3			
30	1	472 9904-98	Sensor	Capteur	1,2	Complete		
31	1		•Discharge	•Collier de serrage				
32	1		•Bushing	•Douille				
33	1	413 3272-09	Cable set	Jeu de câbles	3			
34	1	432 1653-01	Clamp	Bride de fixation	3			
35	1	432 1654-01	Cover	Couvercle	3			
36	1	438 9565-01	Transformer	Transformateur	1	100-120V		
	1	438 9569-01	Transformer	Transformateur	1	200V		
	1	438 9566-01	Transformer	Transformateur	1	400- 480V		
37	1	432 2985-01	Cable set	Jeu de câbles	3	200V		
	1	432 2998-01	Cable set	Jeu de câbles	3	100-120V, 400-480V		
38	1	438 7509-02	Insulation	Isolation	3			
39	1	438 7510-01	Insulation	Isolation	3			
40	8	471 8502-34	Washer	Rondelle	3	8,4x24x2		
41	3	471 9821-99	Plug	Fiche				
42	1	413 3704-10	Choke	Choke	1	7,5A		



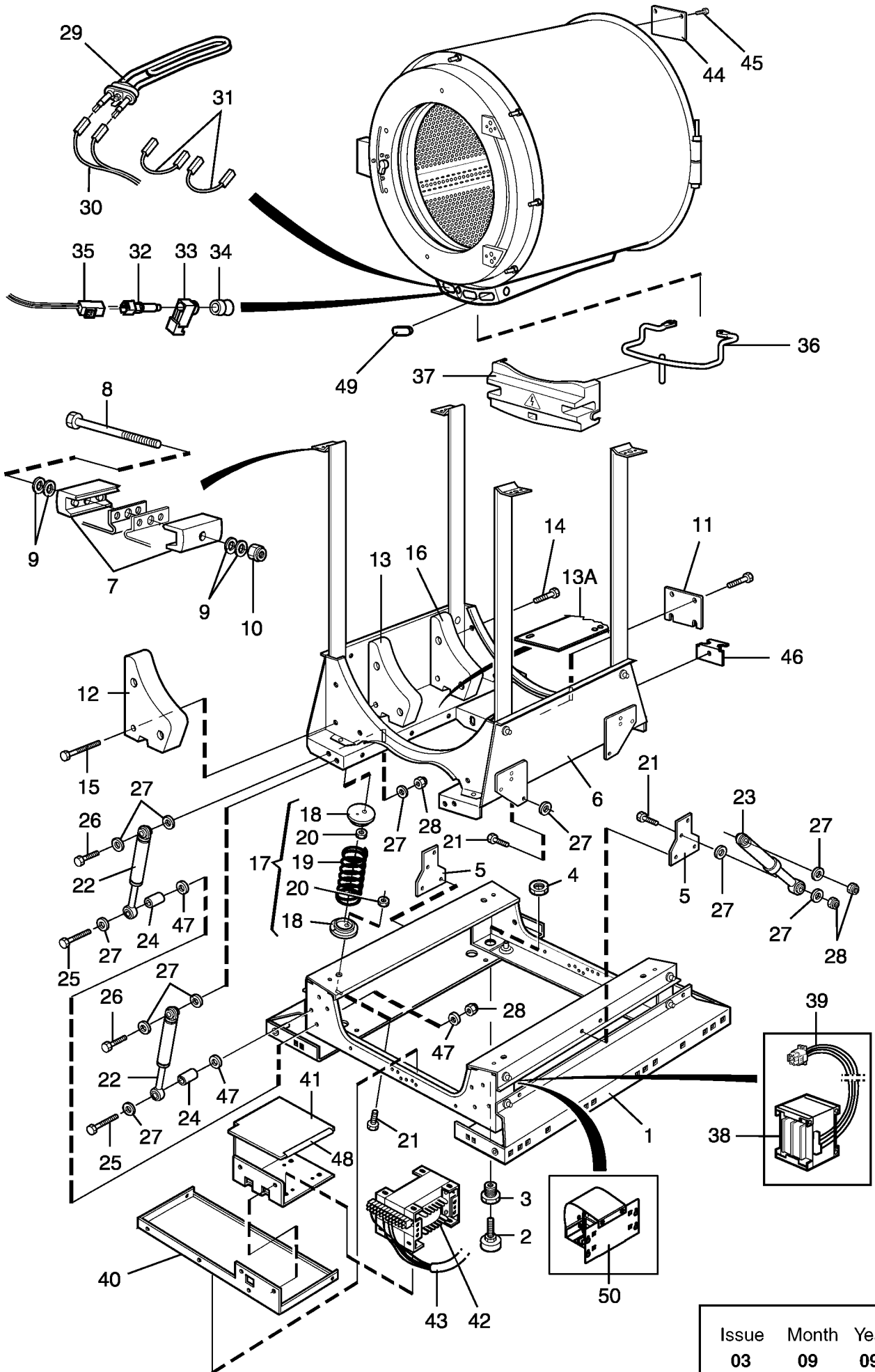
Issue	Month	Year
03	09	09

EX630co				Illustration	Issue	Month	Year
Base and outer drum				Schéma	Issue	Month	Year
Base et tambour externe				102496/1	5	6	2010
Item	Qua.	Art.No	Description	Description	Info	Notes	
Article	Qua.	Réf. article			Info	Remarques	
1	1	432 1311-01	Frame	Base	3	Lower	
2	4	438 8156-01	•Foot	•Pied	3	M10	
3	4	432 1458-01	•Bushing	•Douille	3	M10	
4	4	471 8413-01	•Nut	•Écrou	3	M20	
5	2	432 1470-01	•Bracket	•Support de montage	3	Middle	
6	1	432 1312-02	Frame	Base	3	Upper	
7	4	432 1453-01	•Tensioner	•Crochet	3		
8	2	725 2465-71	•Screw	•Vis	3	M8X70	
9	8	471 7807-02	•Tension plate	•Tôle de serrage	3	18x8,4x2	
10	2	732 2118-01	•Locking nut	•Contre-écrou	3	M8	
11	1	432 1650-01	•Bracket	•Support de montage	3		
12	2	432 1306-01	•Counterweight	•Contrepoids	3		
13	2	432 1307-01	•Counterweight	•Contrepoids	3		
13A	1	413 5068-01	•Counterweight	•Contrepoids	3		
14	6	471 8328-08	•Screw	•Vis	3	M10X80	
15	1	472 9913-05	Suspension	Ressorts de suspension	1	Kit compl.	
16	8		•Spring retainer	•Ressort de retenue			
17	4		•Spring	•Ressort			
18	8		•Nut	•Écrou			
19	12	471 8328-05	Screw	Vis	3	M8X20	
20	1	472 9913-09	Shock absorber	Frotteurs	1	Complete kit, 4 pcs	
21	1	472 9913-11	Shock absorber	Frotteurs	1	Complete kit, 2 pcs	
22	8	471 8555-03	Bushing	Douille	3		
23	8	725 2464-51	Screw	Vis	3	M8X65	
24	16	725 2461-51	Screw	Vis	3	M8X50	
25	18	471 8502-34	Washer	Rondelle	3	8,4x24x2	
26	12	732 2118-01	Locking nut	Contre-écrou	3	M8	
27	8	471 8502-34	Washer	Rondelle	3	8,4x24x2	
28	3	471 9827-01	Heating element	Élément de chauffage	1,2	4.33kW 240V	
	3	471 9827-02	Heating element	Élément de chauffage	1,2	4.33kW 254V	
	3	471 9827-03	Heating element	Élément de chauffage	1,2	1.6kW 240V	
	3	471 9827-04	Heating element	Élément de chauffage	1,2	4.33kW 277V	
	3	471 9829-01	Heating element	Élément de chauffage	1,2	4.33kW 240V MOP	
	3	471 9829-02	Heating element	Élément de chauffage	1,2	4.33kW 254V MOP	
	3	471 9829-04	Heating element	Élément de chauffage	1,2	4.33kW 277V MOP	
29	1	413 2965-12	Cable set	Jeu de câbles	3	400V	
	1	413 2965-13	Cable set	Jeu de câbles	3	230V	
	1	413 2965-24	Cable set	Jeu de câbles	3	EL/DS	
30	1	413 2965-11	Cable set	Jeu de câbles	3	400V	
31	1	472 9904-98	Sensor	Capteur	1,2	Complete	
32	1		•Discharge	•Collier de serrage			
33	1		•Bushing	•Douille			
34	1	413 3272-17	Cable set	Jeu de câbles	3		
35	1	432 1653-01	Clamp	Bride de fixation	3		
36	1	432 1654-01	Cover	Couvercle	3		
37	1	438 9569-01	Transformer	Transformateur	1	200V	
38	1	432 2985-01	Cable set	Jeu de câbles	3	200V	
39	1	432 1418-01	Beam	Poutre	3		
40	1	432 1295-01	Bracket	Pupitre	3	Trafo 200V	
	1	432 1419-01	Bracket	Pupitre	3		
41	1	438 9572-01	Transformer	Transformateur	1	100-120V	
	1	438 9562-01	Transformer	Transformateur	1	380-480V	
42	1	432 2977-01	Cable set	Jeu de câbles	3	100-120V 380-480V	
43	8	471 8328-05	Screw	Vis	3	M8X20	
44	1	432 1649-01	Plate	Tableau	3		
45	1	471 8180-10	Strip	Ruban	3		
46	3	471 9822-99	Plug	Fiche	3		
47	1	413 3704-11	Choke	Choke	3	10A	



Issue	Month	Year
03	09	09

EX640co				Illustration	Issue	Month	Year
Base and outer drum				Schéma	Issue	Month	Year
Base et tambour externe				102497/1	6	6	2010
Item	Qua.	Art.No	Description	Description	Info	Notes	
Article	Qua.	Réf. article			Info	Remarques	
1	1	432 1361-01	Frame	Base	3	Lower	
2	4	438 8156-01	•Foot	•Pied	3	M10	
3	4	432 1458-01	•Bushing	•Douille	3	M10	
4	4	471 8413-01	•Nut	•Écrou	3	M20	
5	2	432 1470-01	•Bracket	•Support de montage	3	Middle	
6	1	432 1362-01	Frame	Base	3	Upper	
7	4	432 1453-01	•Tensioner	•Crochet	3		
8	2	725 2465-71	•Screw	•Vis	3	M8X70	
9	8	471 7807-02	•Tension plate	•Tôle de serrage	3	18x8,4x2	
10	2	732 2118-01	•Locking nut	•Contre-écrou	3	M8	
11	1	432 1651-01	•Bracket	•Support	3		
12	2	432 1356-01	•Counterweight	•Contrepoids	3		
13	2	432 1357-01	•Counterweight	•Contrepoids	3		
14	6	471 8328-09	•Screw	•Vis	3	M10X20	
15	6	471 8328-11	•Screw	•Vis	3		
16	2	432 1360-01	•Counterweight	•Contrepoids	3		
16A	1	413 5068-01	•Counterweight	•Contrepoids	3		
17	1	472 9913-06	Suspension	Ressorts de suspension	1	Kit compl.	
18	8		•Spring retainer	•Montage suspension			
19	4		•Spring	•Ressort			
20	8		•Nut	•Écrou			
21	8	471 8328-05	Screw	Vis	3	M8X20	
22	1	472 9913-10	Shock absorber	Frotteurs	1	Complete kit 8, pcs	
23	1	472 9913-11	Shock absorber	Frotteurs	1	Complete kit, 2 pcs	
24	8	471 8555-03	Bushing	Douille	3		
25	8	725 2464-51	Screw	Vis	3	M8X65	
26	12	725 2461-51	Screw	Vis	3	M8X50	
27	32	471 8502-34	Washer	Rondelle	3	8,4x24x2	
28	20	732 2118-01	Locking nut	Contre-écrou	3	M8	
29	3	471 9827-11	Heating element	Élément de chauffage	1,2	6kW 240V	
	3	471 9827-12	Heating element	Élément de chauffage	1,2	6KW 254V	
	3	471 9827-13	Heating element	Élément de chauffage	1,2	6kW 277V	
	3	471 9829-11	Heating element	Élément de chauffage	1,2	6kW 240V MOP	
	3	471 9829-12	Heating element	Élément de chauffage	1,2	6KW 254V MOP	
	3	471 9829-13	Heating element	Élément de chauffage	1,2	6kW 277V MOP	
30	1	413 2965-22	Cable set	Jeu de câbles	3	400V	
	1	413 2965-23	Cable set	Jeu de câbles	3	230V 1AC/230V 3AC	
	1	413 2965-24	Cable set	Jeu de câbles	3	EL/DS	
	1	413 2965-25	Cable set	Jeu de câbles	3	1AC 240V/3AC 415V	
31	2	413 2965-01	Cable set	Jeu de câbles	3	400V	
32	1	472 9904-98	Sensor	Capteur	1,2	Complete	
33	1		•Discharge	•Collier de serrage			
34	1		•Bushing	•Douille			
35	1	413 3272-22	Cable set	Jeu de câbles	3		
36	1	432 1653-01	Clamp	Bride de fixation	3		
37	1	432 1654-01	Cover	Couvercle	3		
38	1	438 9569-01	Transformer	Transformateur	1	200V	
39	1	432 2985-01	Cable set	Jeu de câbles	3	200V	
40	1	432 1420-01	Beam	Poutre	3		
41	1	432 1421-01	Bracket	Pupitre	3		
	1	432 1295-01	Bracket	Pupitre	3	Trafo 200V	
42	1	438 9573-01	Transformer	Transformateur	1	100-120V	
	1	438 9563-01	Transformer	Transformateur	1	380-480V	
43	1	432 2977-01	Cable set	Jeu de câbles	3	100-120V 380-480V	
44	1	432 1649-01	Plate	Tableau	3		
45	8	471 8328-05	Screw	Vis	3	M8X20	
46	2	432 1336-01	Guide	Guide	3		
47	16	471 8502-34	Washer	Rondelle	3	8,4x24x2	
48	1	471 8180-10	Strip	Ruban	3		



Issue	Month	Year
03	09	09

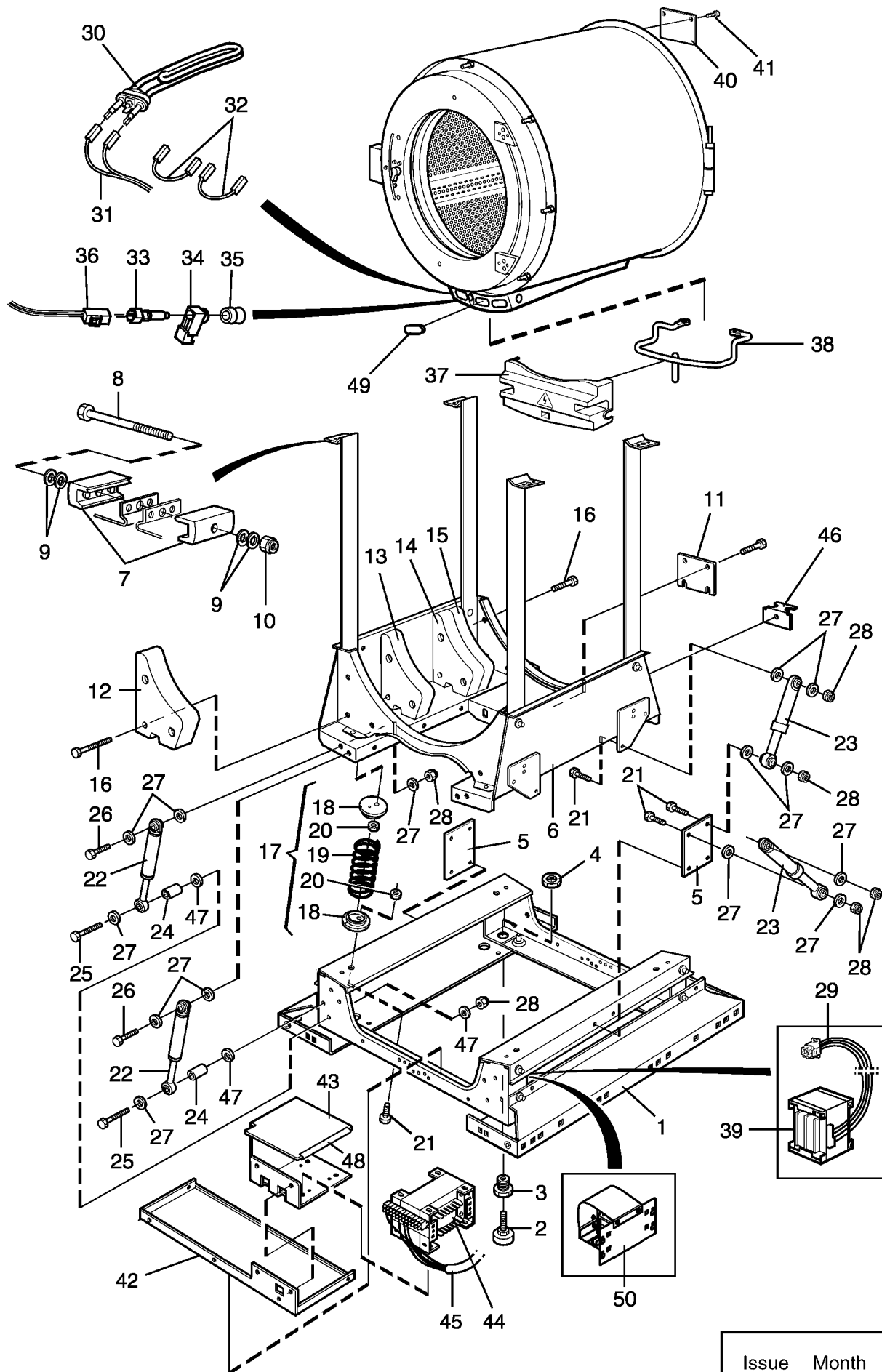
EX640co

Base and outer drum

Base et tambour externe

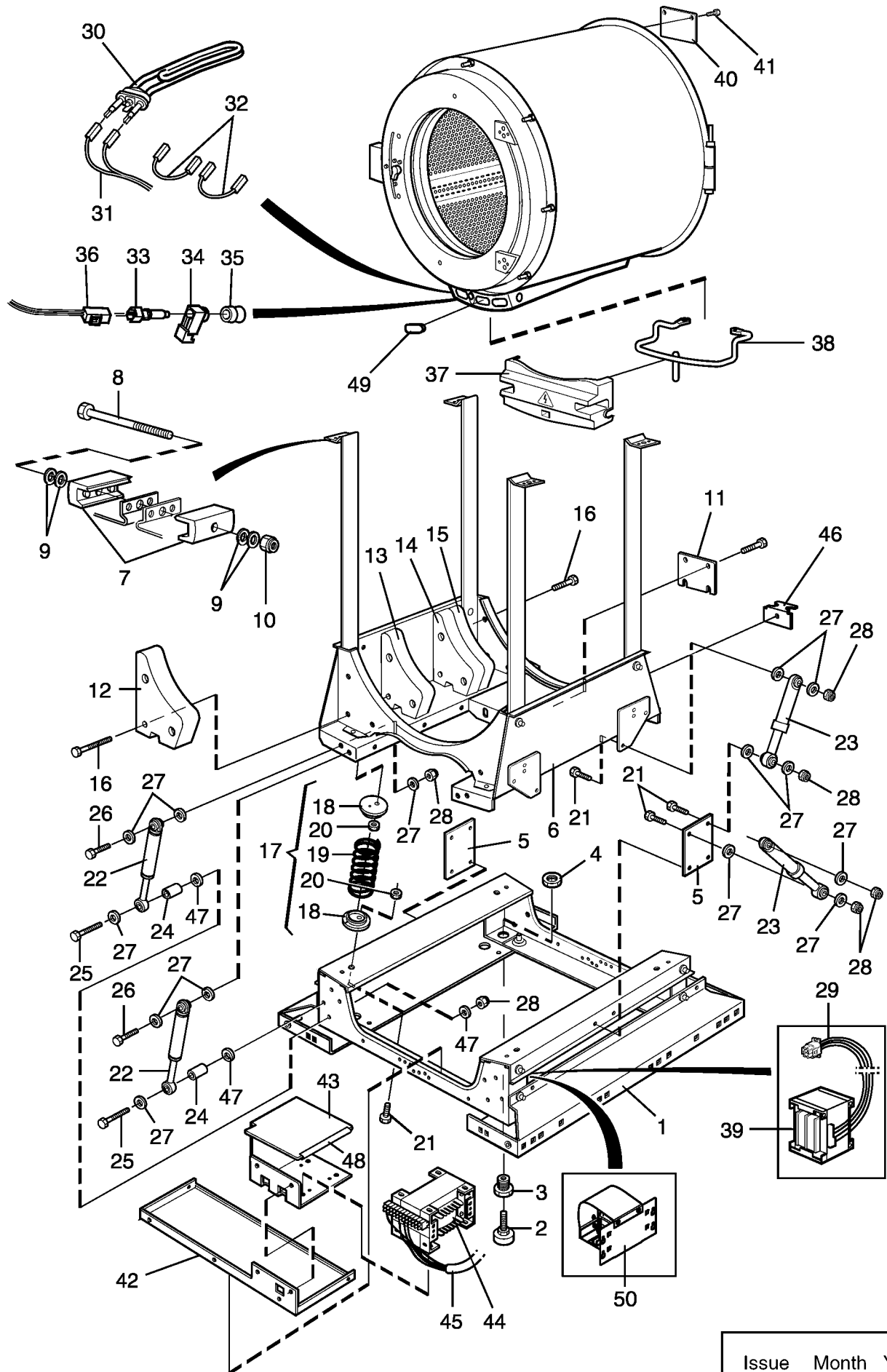
Illustration	Issue	Month	Year
Schéma	Issue	Month	Year
102497/1	6	6	2010

Item Article	Qua. Qua.	Art.No Réf. article	Description	Description	Info Info	Notes Remarques
49 50	3 1	471 9822-99 413 3704-12	Plug Choke	Fiche Choke	3 1	15A



Issue	Month	Year
02	09	09

EX655co					Illustration	Issue	Month	Year
Base and outer drum					Schéma	Issue	Month	Year
Base et tambour externe					102498/1	5	6	2010
Item	Qua.	Art.No	Description	Description	Info	Notes		
Article	Qua.	Réf. article			Info	Remarques		
1	1	432 1411-01	Frame	Base	3	Lower		
2	4	438 8156-01	•Foot	•Pied	3	M10		
3	4	432 1458-01	•Bushing	•Douille	3	M10		
4	4	471 8413-01	•Nut	•Écrou	3	M20		
5	2	432 1468-01	•Bracket	•Support de montage	3	Middle		
6	1	432 1412-01	Frame	Base	3	Upper		
7	4	432 1453-01	•Tensioner	•Crochet	3			
8	2	725 2465-71	•Screw	•Vis	3	M8X70		
9	8	471 7807-02	•Tension plate	•Tôle de serrage	3	18x8,4x2		
10	2	732 2118-01	•Locking nut	•Contre-écrou	3	M8		
11	1	432 1652-01	•Bracket	•Support	3			
12	2	432 1406-01	•Counterweight	•Contrepoids	3			
13	2	432 1406-02	•Counterweight	•Contrepoids	3			
14	2	432 1407-01	•Counterweight	•Contrepoids	3			
15	2	432 1407-02	•Counterweight	•Contrepoids	3			
16	12	471 8328-08	•Screw	•Vis	3	M10X80		
17	1	472 9913-07	Suspension	Ressorts de suspension	1	Kit compl.		
18	8		•Spring retainer	•Montage suspension				
19	4		•Spring	•Ressort				
20	8		•Nut	•Écrou				
21	14	471 8328-09	Screw	Vis	3	M10X20		
22	1	472 9913-10	Shock absorber	Frotteurs	1	Complete kit 8, pcs		
23	1	472 9913-08	Shock absorber	Frotteurs	1	Complete kit, 4 pcs		
24	8	471 8555-03	Bushing	Douille	3			
25	8	725 2464-51	Screw	Vis	3	M8X65		
26	16	725 2461-51	Screw	Vis	3	M8X50		
27	Rq	471 8502-34	Washer	Rondelle	3	8,4x24x2		
28	Rq	732 2118-01	Locking nut	Contre-écrou	3	M8		
29	1	432 2985-01	Cable set	Jeu de câbles	3	200V		
30	3	471 9827-24	Heating element	Élément de chauffage	1,2	6.36kW 230V		
	3	471 9827-21	Heating element	Élément de chauffage	1,2	6.6kW 240V		
	3	471 9827-22	Heating element	Élément de chauffage	1,2	7kW 254V		
	3	471 9827-23	Heating element	Élément de chauffage	1,2	7.6kW 277V		
	3	471 9829-21	Heating element	Élément de chauffage	1,2	7.66kW 240V MOP		
	3	471 9829-22	Heating element	Élément de chauffage	1,2	7.66kW 254V MOP		
	3	471 9829-23	Heating element	Élément de chauffage	1,2	7.66kW 277V MOP		
31	1	413 2965-04	Cable set	Jeu de câbles	3	EL/DS		
	1	413 2965-02	Cable set	Jeu de câbles	3	400V		
	1	413 2965-05	Cable set	Jeu de câbles	3	1AC 230V/3AC 415V		
	1	413 2965-03	Cable set	Jeu de câbles	3	230V		
32	2	413 2965-01	Cable set	Jeu de câbles	3	400V		
33	1	472 9904-98	Sensor	Capteur	1,2	Complete		
34	1		•Discharge	•Collier de serrage				
35	1		•Bushing	•Douille				
36	1	413 3272-15	Cable set	Jeu de câbles	3			
37	1	432 1654-01	Cover	Couvercle				
38	1	432 1653-01	Clamp	Bride de fixation				
39	1	438 9569-01	Transformer	Transformateur	1	200V		
40	1	432 1649-01	Plate	Tableau	3			
41	8	471 8328-05	Screw	Vis	3	M8X20		
42	1	432 1426-01	Beam	Poutre	3			
43	1	432 1421-01	Bracket	Pupitre	3			
	1	432 1295-01	Bracket	Pupitre	3	Trafo 200V		
44	1	438 9573-01	Transformer	Transformateur	1	100-120V		
	1	438 9563-01	Transformer	Transformateur	1	380-480V		
45	1	432 2977-01	Cable set	Jeu de câbles	3	100-120V 380-480V		
46	2	432 1335-01	Guide	Guide	3			
47	16	471 8502-34	Washer	Rondelle	3	8,4x24x2		
48	4	471 8180-10	Strip	Ruban	3			



Issue	Month	Year
02	09	09

EX655co

Base and outer drum

Base et tambour externe

Illustration	Issue	Month	Year
Schéma	Issue	Month	Year
102498/1	5	6	2010

Item Article	Qua. Qua.	Art.No Réf. article	Description	Description	Info Info	Notes Remarques
49 50	3 1	471 9822-99 413 3704-12	Plug Choke	Fiche Choke	1	15A

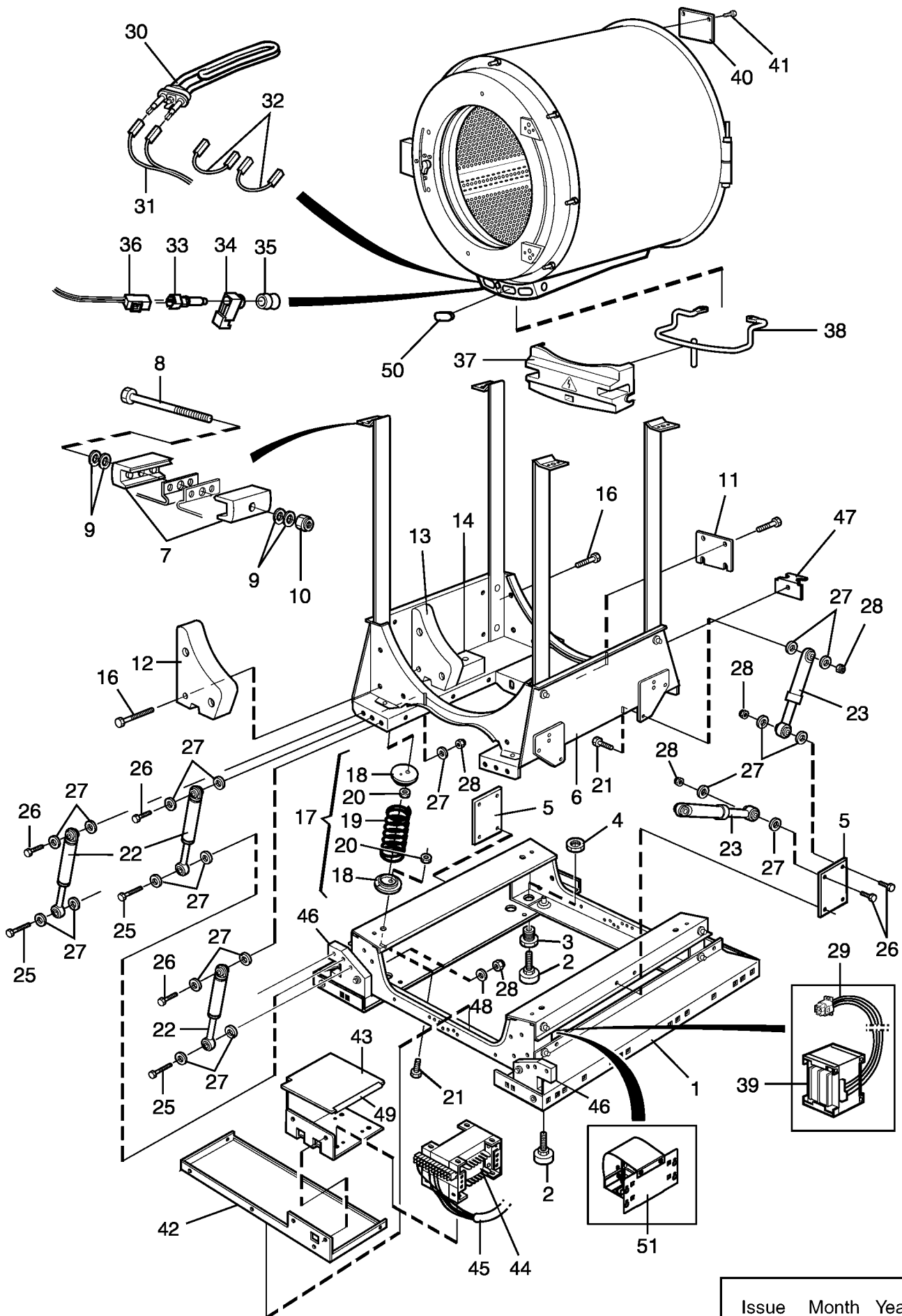
EX670co

Base and outer drum

Base et tambour externe

Illustration Issue Month Year
Schéma Issue Month Year
102499/1 5 6 2010

Item Article	Qua. Qua.	Art.No Réf. article	Description	Description	Info Info	Notes Remarques
1	1	432 1413-01	Frame	Base	3	Lower
2	4	438 8156-03	•Foot	•Pied	3	M12
3						Not used
4	4	471 8413-01	•Nut	•Écrou	3	M20
5	2	432 1468-01	•Bracket	•Support de montage	3	Middle
6	1	432 1414-01	Frame	Base	3	Upper
7	4	432 1453-01	•Tensioner	•Crochet	3	
8	2	725 2465-71	•Screw	•Vis	3	M8X70
9	8	471 7807-02	•Tension plate	•Tôle de serrage	3	18x8,4x2
10	2	732 2118-01	•Locking nut	•Contre-écrou	3	M8
11	1		•Bracket	•Support	3	
12	1	432 1406-01	•Counterweight	•Contrepoids	3	Left
	1	432 1406-02	•Counterweight	•Contrepoids	3	Right
13	1	432 1407-01	•Counterweight	•Contrepoids	3	Left
	1	432 1407-02	•Counterweight	•Contrepoids	3	Right
14	2	432 1437-01	•Counterweight	•Contrepoids	3	
15						Not used
16	12	471 8328-08	•Screw	•Vis	3	M10X80
17	1	472 9913-63	Suspension	Ressorts de suspension	1	Kit compl.
18	8		•Spring retainer	•Montage suspension		
19	4		•Spring	•Ressort		
20	8		•Nut	•Écrou		
21	14	471 8328-09	Screw	Vis	3	M10X20
22	1	472 9913-33	Shock absorber	Frotteurs	1	Complete kit 10 pcs
23	1	472 9913-08	Shock absorber	Frotteurs	1	Complete kit, 4 pcs
24	6	471 8555-03	Bushing	Douille	3	
25	9	725 2464-51	Screw	Vis	3	M8X65
26	17	725 2461-51	Screw	Vis	3	M8X50
27	Rq	471 8502-34	Washer	Rondelle	3	8,4x24x2
28	Rq	732 2118-01	Locking nut	Contre-écrou	3	M8
29	1	432 2985-01	Cable set	Jeu de câbles	3	200V
30	3	471 9827-24	Heating element	Élément de chauffage	1,2	6.36kW 230V
	3	471 9827-21	Heating element	Élément de chauffage	1,2	6.6kW 240V
	3	471 9827-22	Heating element	Élément de chauffage	1,2	7kW 254V
	3	471 9827-23	Heating element	Élément de chauffage	1,2	7.6kW 277V
	3	471 9829-21	Heating element	Élément de chauffage	1,2	7.66kW 240V MOP
	3	471 9829-22	Heating element	Élément de chauffage	1,2	7.66kW 254V MOP
	3	471 9829-23	Heating element	Élément de chauffage	1,2	7.66kW 277V MOP
31	1	413 2965-02	Cable set	Jeu de câbles	3	400V
	1	413 2965-03	Cable set	Jeu de câbles	3	230V
32	2	413 2965-01	Cable set	Jeu de câbles	3	400V 400V
33	1	472 9904-98	Sensor	Capteur	1,2	Complete
34	1		•Discharge	•Collier de serrage		
35	1		•Bushing	•Douille		
36	1	413 3272-15	Cable set	Jeu de câbles	3	
37	1	432 1654-01	Cover	Couvercle	3	
38	1	432 1653-01	Clamp	Bride de fixation	3	
39	1	438 9569-01	Transformer	Transformateur	1	200V
40	1	432 1649-01	Plate	Tableau	3	
41	8	471 8328-05	Screw	Vis	3	M8X20
42	1	432 1426-01	Beam	Poutre	3	
43	1	432 1421-01	Bracket	Pupitre	3	
	1	432 1295-01	Bracket	Pupitre	3	Trafo 200V
44	1	438 9573-01	Transformer	Transformateur	1	100-120V
	1	438 9563-01	Transformer	Transformateur	1	380-480V
45	1	432 2977-01	Cable set	Jeu de câbles	3	100-120V 380-480V
46	4	432 1399-02	Bracket	Support de montage	3	
47	2	432 1335-01	Guide	Guide	3	
48	Rq	471 8502-34	Washer	Rondelle	3	8,4x24x2



Issue	Month	Year
02	09	09

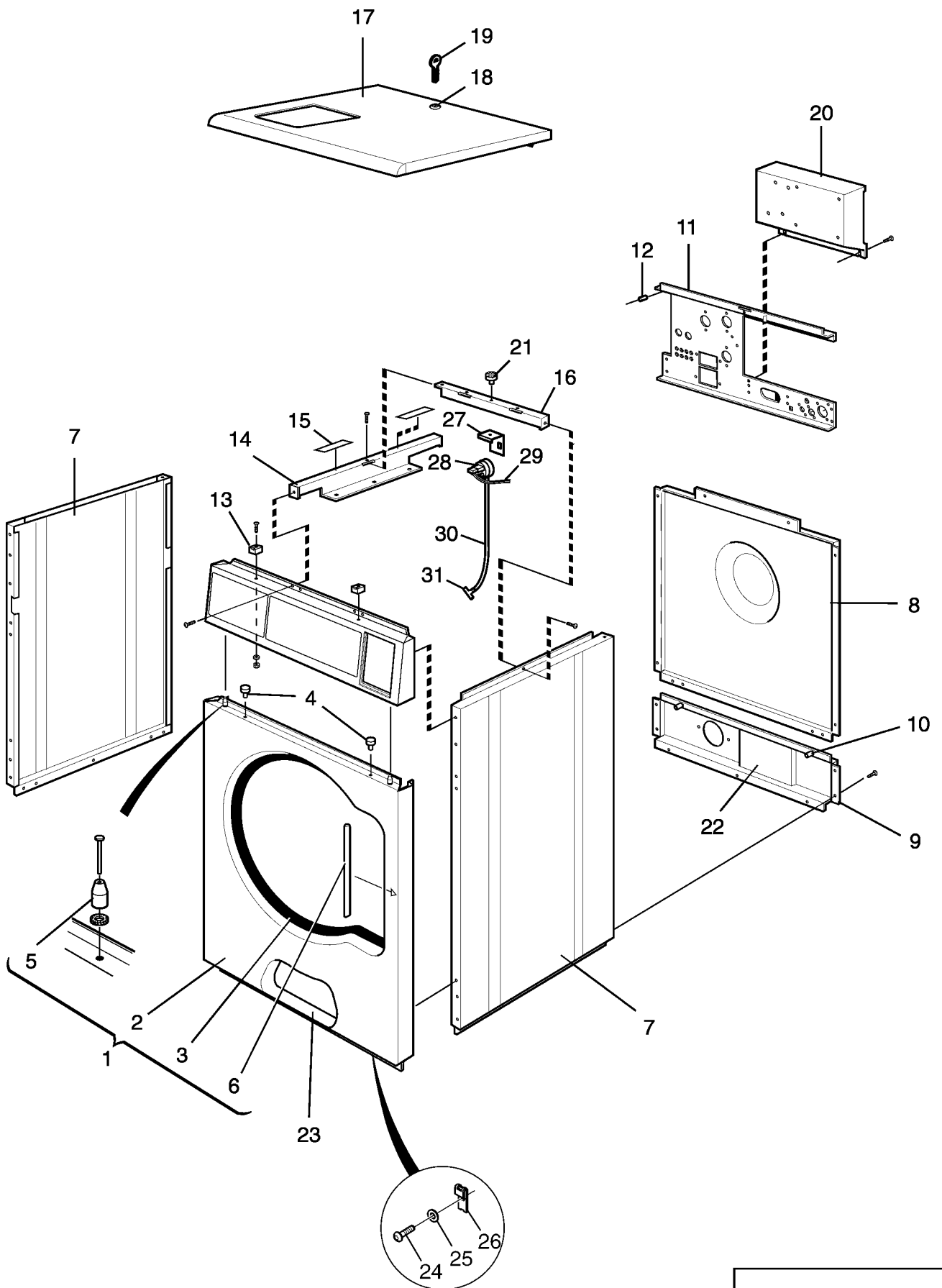
EX670co

Base and outer drum

Base et tambour externe

Illustration	Issue	Month	Year
Schéma	Issue	Month	Year
102499/1	5	6	2010

Item Article	Qua. Qua.	Art.No Réf. article	Description	Description	Info Info	Notes Remarques
49	1	471 8180-10	Strip	Ruban	3	
50	1	471 9822-99	Plug	Fiche	3	
51	1	413 3704-12	Choke	Choke	3	15A



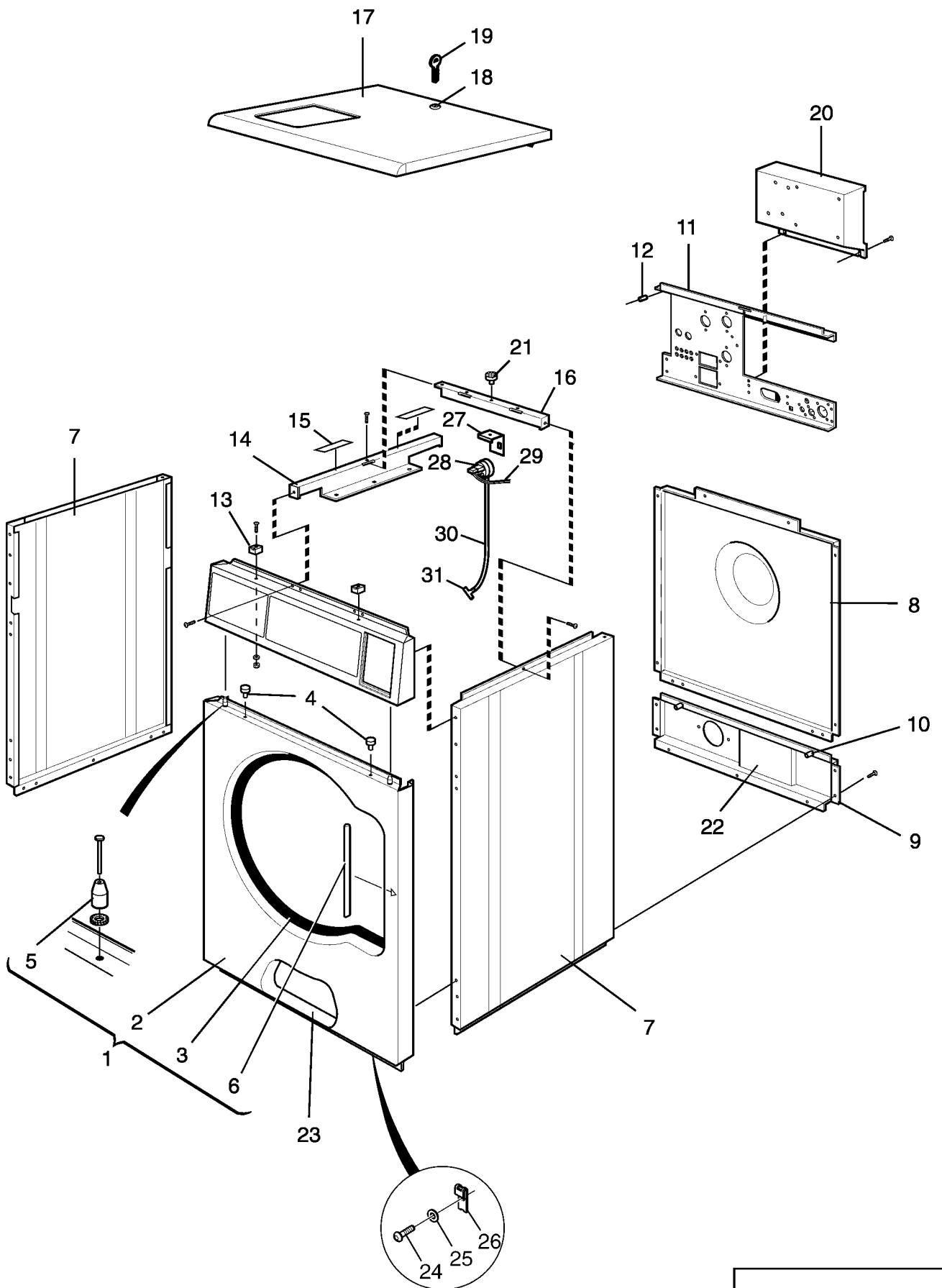
EX618co,EX625co

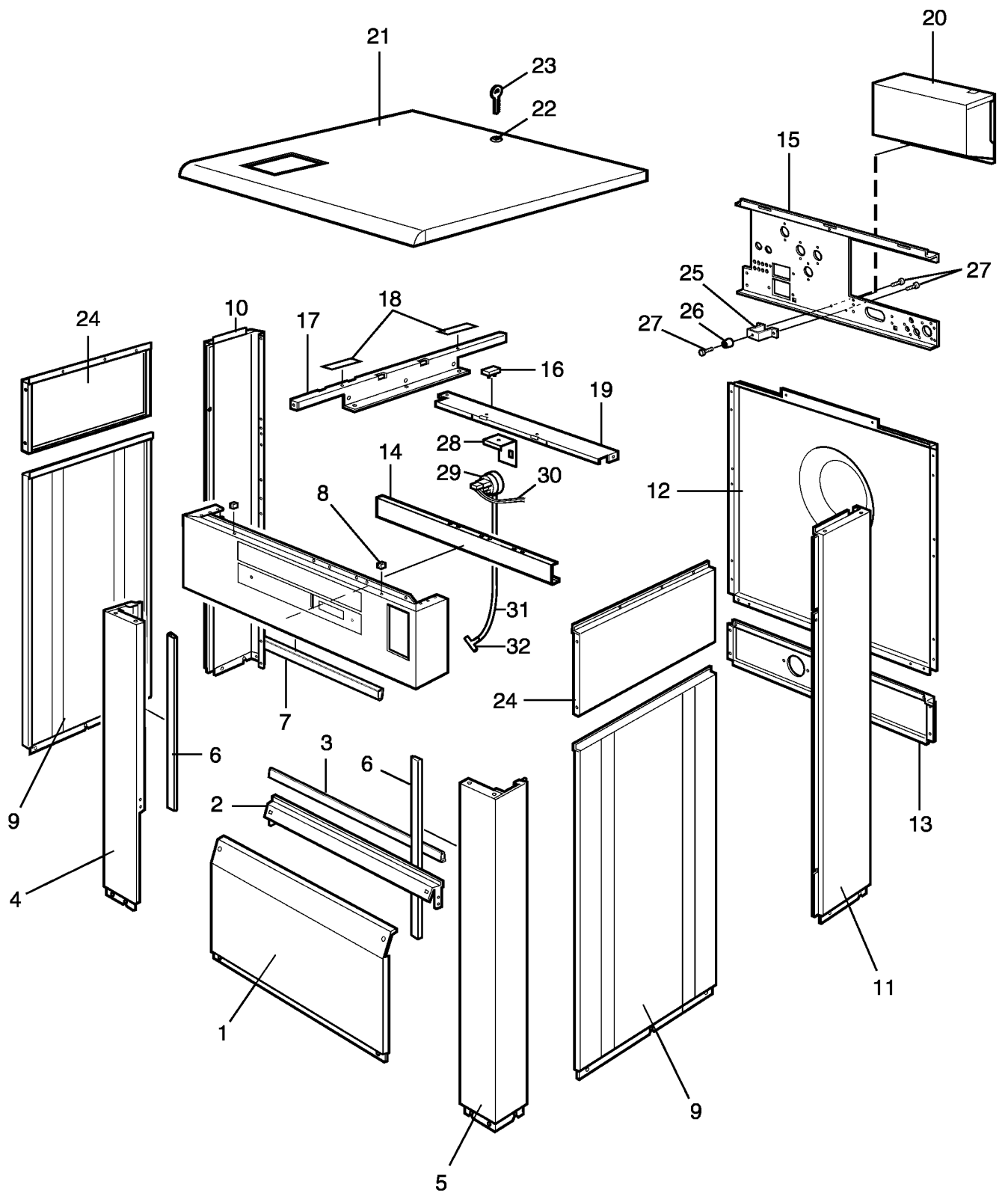
Lining and top panel

Panneau frontal avec pupitre de commande

Illustration Issue Month Year
Schéma Issue Month Year
102298/1 6 8 2010

Item Article	Quantity Quantité	Art.No Réf. article	Description	Description	Info Info	Notes Remarques
		EX618co				
		EX625co				
1	1	432 2200-01	Front plate	Panneau avant	3	Green Complete
	1	432 2200-08	Front panel	Panneau avant	3	Blue Complete
	1	413 2200-11	Front panel	Panneau avant	3	Wave Stainless Complete
	1	432 2200-10	Front plate	Panneau avant	3	Stainless Complete
	1	432 2200-03	Front plate	Panneau avant	3	White Complete
	1	432 2200-11	Front plate	Panneau avant	3	Green Complete
	1	432 2200-18	Front panel	Panneau avant	3	Blue Complete
	1	413 2200-21	Front panel	Panneau avant	3	Wave Stainless Complete
	1	432 2200-20	Front plate	Panneau avant	3	Stainless Complete
	1	432 2200-13	Front plate	Panneau avant	3	White Complete
2	1		•Front panel	•Panneau avant		
3	1	432 2164-11	•Strip	•Ruban	3	
	1	432 2164-12	•Strip	•Ruban	3	
4	2	471 8196-01	•Plug	•Fiche	3	
5	2	438 5109-02	•Guide pin	•Broche de guidage	3	
6	1	471 4672-67	•Protection	•Protection	3	
7	2	432 2057-03	Side panel	Panneau latéral	3	Grey
	2	432 2057-10	Side panel	Panneau latéral	3	Stainless
	2	432 2058-03	Side panel	Panneau latéral	3	Grey
	2	432 2058-10	Side panel	Panneau latéral	3	Stainless
8	1	432 2060-02	Rear panel	Paroi arrière	3	Upper -520/125650
	1	413 5006-01	Rear panel	Panneau arrière	3	520/125651-
	1	432 2062-01	Rear panel	Paroi arrière	3	Upper -595/107230
	1	413 5008-01	Rear panel	Panneau arrière	3	595/107231-
9	1	432 2061-01	Rear panel	Paroi arrière	3	Lower -520/125650
	1	432 2063-01	Rear panel	Paroi arrière	3	Lower -595/107230
10	4	471 8458-02	Nut	Écrou	3	M6
11	1	432 2246-02	Brace bracket	Support de montant	3	
	1	432 2246-03	Brace bracket	Support de montant	3	
12	2	432 2180-01	Spacer	Entretoise	3	
13	2	432 2273-01	Guide	Guide	3	
14	1	432 2130-01	Brace	Montant	3	
	1	432 2130-03	Brace	Montant	3	
15	4	471 7565-21	Velcro tape	Bande de serrage	3	
16	1	432 2120-01	Brace	Montant	3	
	1	432 2122-01	Brace	Montant	3	
17	1	432 2280-65	Top panel	Couvercle	3	
	1	432 2280-66	Top panel	Couvercle	3	No detergent container
	1	413 2201-21	Top panel	Couvercle	3	With lock
	1	413 2201-22	Top panel	Couvercle	3	No detergent container With lock
	1	432 2281-65	Top panel	Couvercle	3	
	1	432 2281-66	Top panel	Couvercle	3	No detergent container
	1	413 2201-23	Top panel	Couvercle	3	With lock Coin-meter
	1	413 2201-24	Top panel	Couvercle	3	No detergent container With lock
18	1	471 7826-10	•Lock	•Serrure	1,2	
19	1	472 9900-99	•Key	•Touche	1,2	SET
20	1	432 2259-01	Plate	Plaque	3	-520/107432
	1	432 2259-01	Plate	Plaque	3	-595/102314
	1	432 2215-01	Plate	Plaque	3	520/107433-
	1	432 2215-01	Plate	Plaque	3	595/102315-
21	1	471 8641-02	Plug	Fiche	3	
22	1	438 7508-01	Insulation	Isolation	3	
23	1	438 7507-01	Insulation	Isolation	3	
24	2	471 8344-35	Screw	Vis	3	M6X16
25	2	735 2153-01	Lock washer	Rondelle d'arrêt	3	6,4





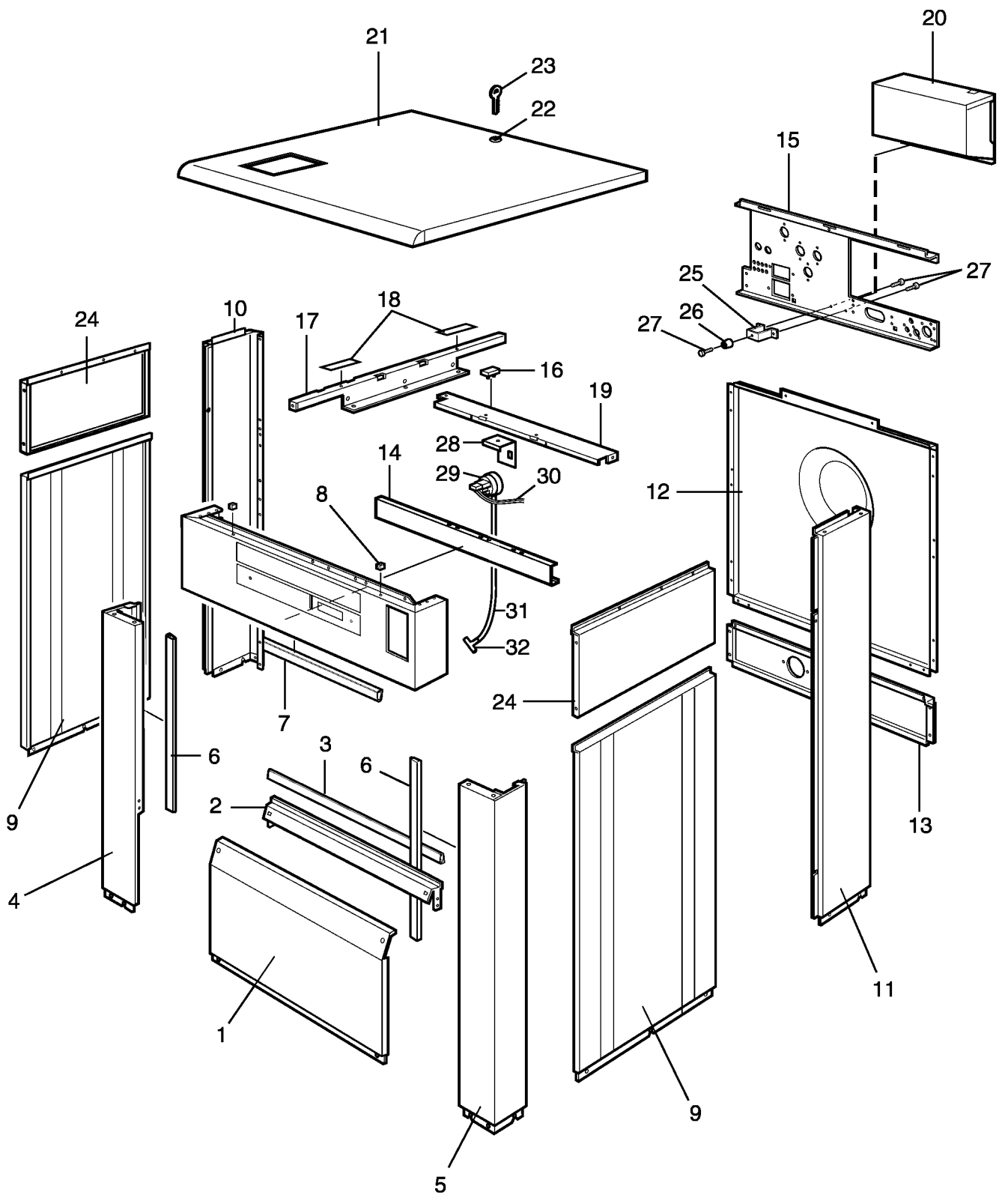
EX630co,EX640co,EX655co,EX670co

Lining and top panel

Panneau frontal avec pupitre de commande

Illustration Issue Month Year
Schéma Issue Month Year
102299/1 4 1 2009

Item Article	Quantity Quantité	Art.No Réf. article	Description	Description	Info Info	Notes Remarques
			EX630co			
			EX640co			
			EX655co			
			EX670co			
1	1	432 2002-01	Front plate	Panneau avant	3	Stainless
	1	432 2003-01	Front plate	Panneau avant	3	Stainless
	1	432 2004-01	Front plate	Panneau avant	3	Stainless
2	1	432 2135-01	Brace	Montant	3	
	1	432 2135-02	Brace	Montant	3	
3	1	432 2163-13	Rubber strip	Joint caoutchouc	3	L=760
	1	432 2163-15	Rubber strip	Joint caoutchouc	3	L=730
4	1	432 2050-01	Pillar	Montant	3	Stainless Left
	1	432 2051-01	Pillar	Montant	3	Stainless Left
	1	432 2052-01	Pillar	Montant	3	Stainless Left
5	1	432 2050-02	Pillar	Montant	3	Stainless Right
	1	432 2051-02	Pillar	Montant	3	Stainless Right
	1	432 2052-02	Pillar	Montant	3	Stainless Right
6	2	432 2163-11	Rubber strip	Joint caoutchouc	3	L=690
	2	432 2163-13	Rubber strip	Joint caoutchouc	3	L=760
7	1	432 2163-13	Rubber strip	Joint caoutchouc	3	L=760
8	2	432 2273-01	Guide	Guide	3	
9	2	432 2032-03	Side panel	Panneau latéral	3	Grey
	2	432 2032-10	Side panel	Panneau latéral	3	Stainless
	2	432 2034-03	Side panel	Panneau latéral	3	Grey
	2	432 2034-10	Side panel	Panneau latéral	3	Stainless
	2	432 2036-03	Side panel	Panneau latéral	3	Grey
	2	432 2036-10	Side panel	Panneau latéral	3	Stainless
	2	432 2207-33	Side panel	Panneau latéral	3	Grey
	2	432 2207-40	Side panel	Panneau latéral	3	
10	1	432 2033-31	Side panel	Panneau latéral	3	Grey Left
	1	432 2033-10	Side panel	Panneau latéral	3	Stainless Left
	1	432 2035-31	Side panel	Panneau latéral	3	Grey Left
	1	432 2035-10	Side panel	Panneau latéral	3	Stainless Left
	1	432 2037-31	Side panel	Panneau latéral	3	Grey Left
	1	432 2037-10	Side panel	Panneau latéral	3	Stainless Left
	1	432 2059-05	Side panel	Panneau latéral	3	Grey Left
	1	432 2059-10	Side panel	Panneau latéral	3	Stainless Left
11	1	432 2033-32	Side panel	Panneau latéral	3	Grey
	1	432 2033-11	Side panel	Panneau latéral	3	Stainless Right
	1	432 2035-32	Side panel	Panneau latéral	3	Grey Right
	1	432 2035-11	Side panel	Panneau latéral	3	Stainless Right
	1	432 2037-32	Side panel	Panneau latéral	3	Grey Right
	1	432 2037-11	Side panel	Panneau latéral	3	Stainless Right
	1	432 2059-06	Side panel	Panneau latéral	3	Grey Right
	1	432 2059-11	Side panel	Panneau latéral	3	Stainless Right
12	1	432 2064-01	Rear panel	Panneau arrière	3	Upper
	1	432 2066-01	Rear panel	Panneau arrière	3	Upper
13	1	432 2068-01	Rear panel	Paroi arrière	3	Upper
	1	432 2065-01	Rear panel	Panneau arrière	3	Lower
	1	432 2067-01	Rear panel	Panneau arrière	3	Lower
	1	432 2069-01	Rear panel	Panneau arrière	3	Lower
14	2	432 2179-01	Brace	Montant	3	
15	1	432 2247-01	Brace bracket	Support de montant	3	
	1	432 2248-01	Brace bracket	Support de montant	3	
	1	432 2249-01	Brace bracket	Support de montant	3	
16	2	471 8641-02	Plug	Fiche	3	
	2	471 2437-15	Plug	Fiche	3	
	2	471 8641-02	Plug	Fiche	3	
17	1	432 2131-01	Brace	Montant	3	



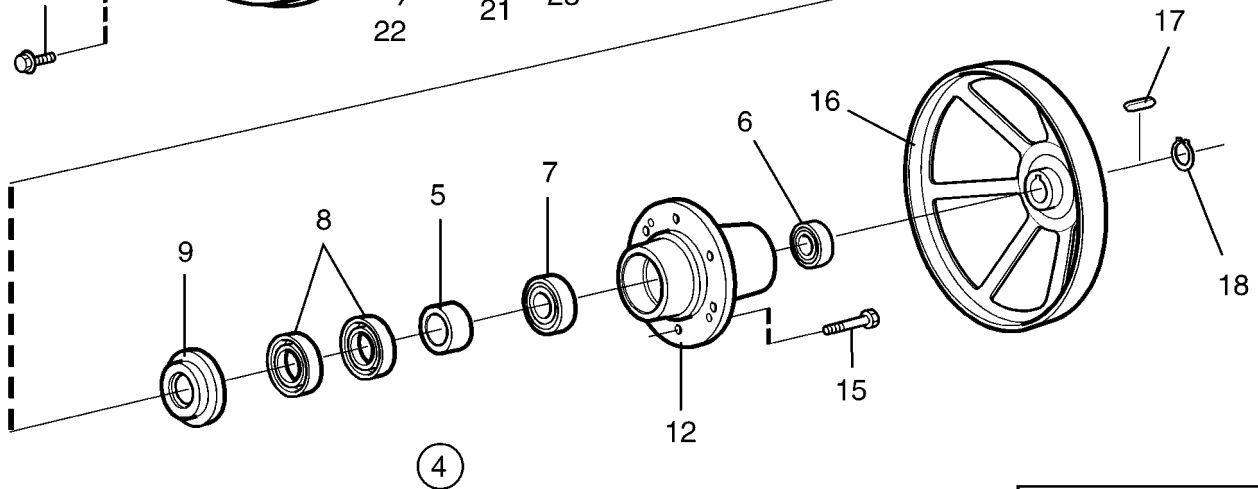
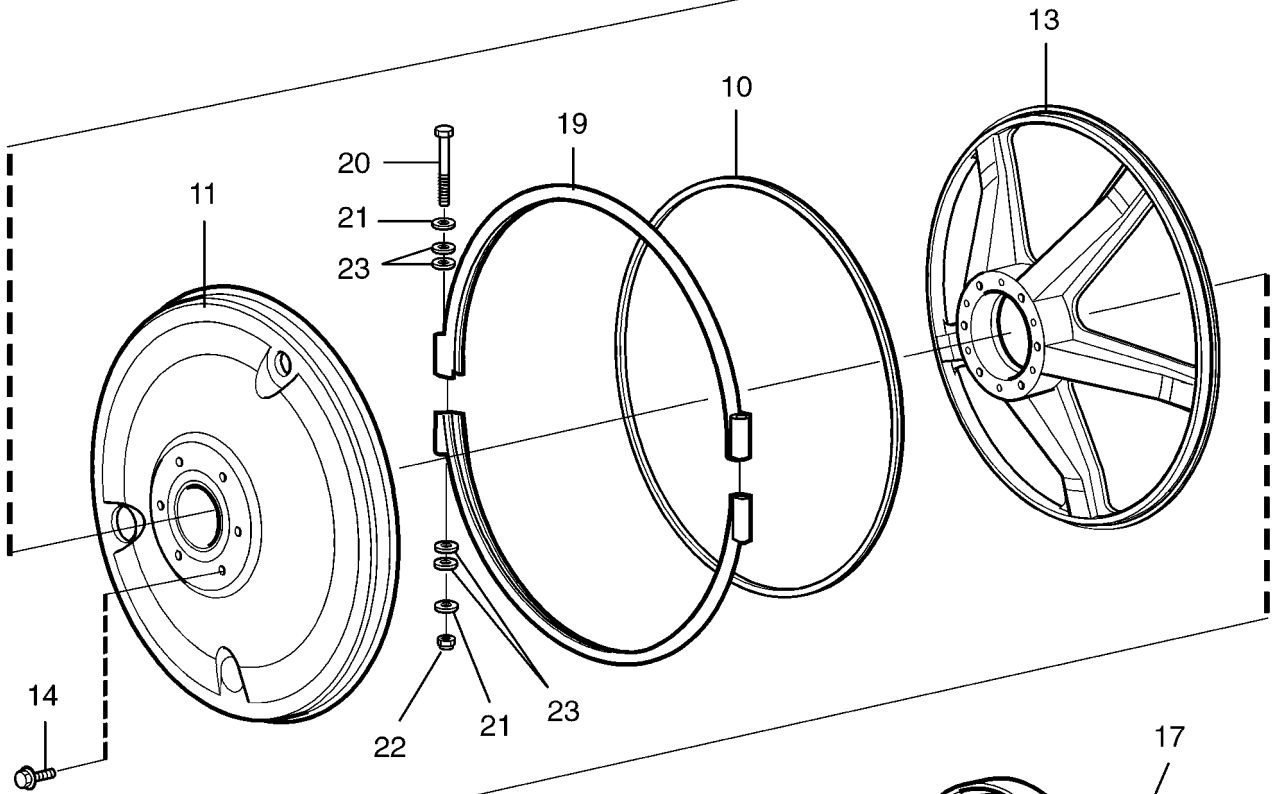
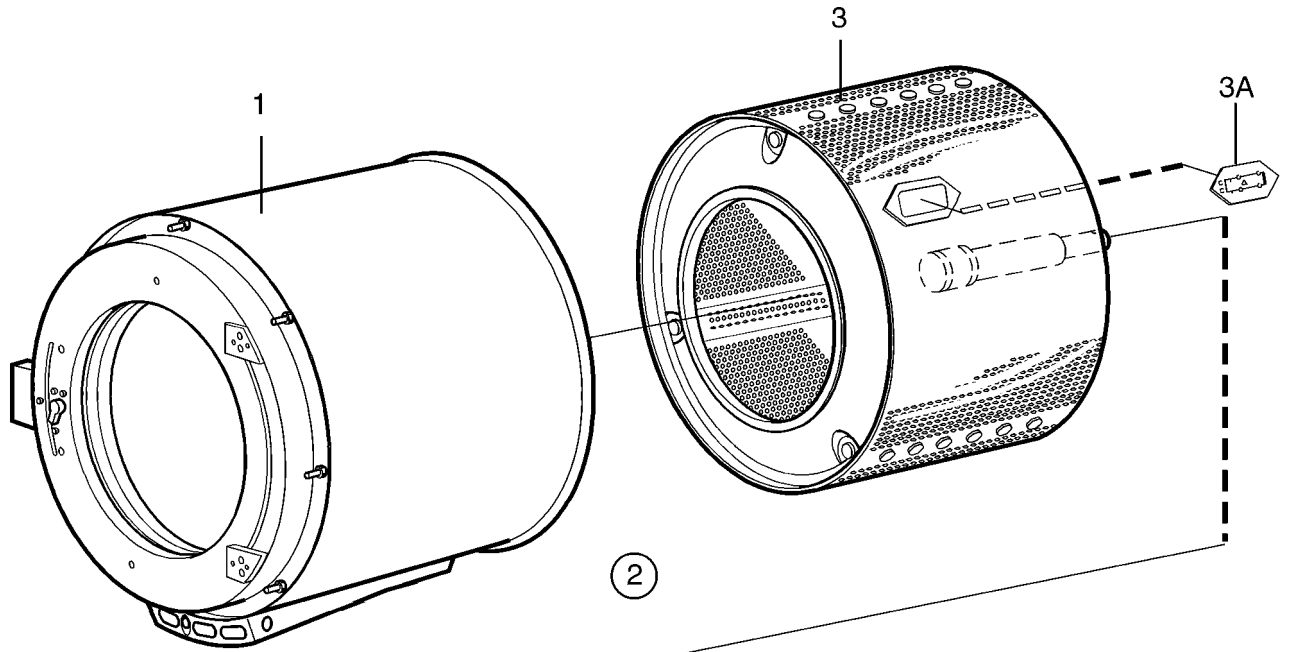
EX630co,EX640co,EX655co,EX670co

Lining and top panel

Panneau frontal avec pupitre de commande

Illustration Issue Month Year
Schéma Issue Month Year
102299/1 4 1 2009

Item Article	Quantity Quantité	Art.No Réf. article	Description	Description	Info Info	Notes Remarques
			EX630co			
			EX640co			
			EX655co			
			EX670co			
	1	432 2131-02	Brace	Montant	3	
	1	432 2131-03	Brace	Montant	3	
	1	432 2131-04	Brace	Montant	3	
18	4	471 7565-21	Velcro tape	Bande de serrage	3	
19	1	432 2121-02	Brace	Montant	3	
	1	432 2121-03	Brace	Montant	3	
20	1	432 2121-04	Brace	Montant	3	
	1	432 2259-01	Plate	Plaque	3	
	1	432 2215-01	Plate	Plaque	3	
	1	432 2259-01	Plate	Plaque	3	
	1	432 2215-01	Plate	Plaque	3	
	1	432 2259-01	Plate	Plaque	3	
	1	432 2215-01	Plate	Plaque	3	
	1	432 2259-01	Plate	Plaque	3	
	1	432 2215-01	Plate	Plaque	3	
21	1	432 2082-01	Top panel	Couvercle	3	
	1	413 2201-25	Top panel	Couvercle	3	With lock
	1	432 2082-02	Top panel	Couvercle	3	No detergent container
	1	432 2083-01	Top panel	Couvercle	3	
	1	413 2201-27	Top panel	Couvercle	3	With lock
	1	432 2083-02	Top panel	Couvercle	3	No detergent container
	1	432 2084-01	Top panel	Couvercle	3	
	1	413 2201-29	Top panel	Couvercle	3	With lock
	1	432 2084-02	Top panel	Couvercle	3	No detergent container
	1	432 2096-01	Top panel	Couvercle	3	
	1	432 2096-02	Top panel	Couvercle	3	No detergent container
22	1	471 7826-10	•Lock	•Serrure	1,2	
23	1	472 9900-99	•Key	•Touche	1,2	SET
24	2	432 2038-03	Side panel	Panneau latéral	3	Grey Upper
	2	432 2038-10	Side panel	Panneau latéral	3	Stainless Upper
	2	432 2040-03	Side panel	Panneau latéral	3	Grey Upper
	2	432 2040-10	Side panel	Panneau latéral	3	Stainless Upper
25	1	432 2137-01	Bracket	Pupitre	3	
26	1	471 7980-01	Stop	Butoir	3	
27	3	471 8342-15	Screw	Vis	3	
28	1	432 6318-01	Bracket	Pièce de retenue	3	
29	1	471 8861-02	Level control	Réglage de niveau	1	
30	1	413 2915-02	Cable set	Jeu de câbles	3	Clarus
	1	413 2915-01	Cable set	Jeu de câbles	3	Compass Control
31	1	471 2436-10	Hose	Flexible	3	
32	1	471 2265-69	T-pipe	Tube en T	3	



Issue	Month	Year
02	04	08

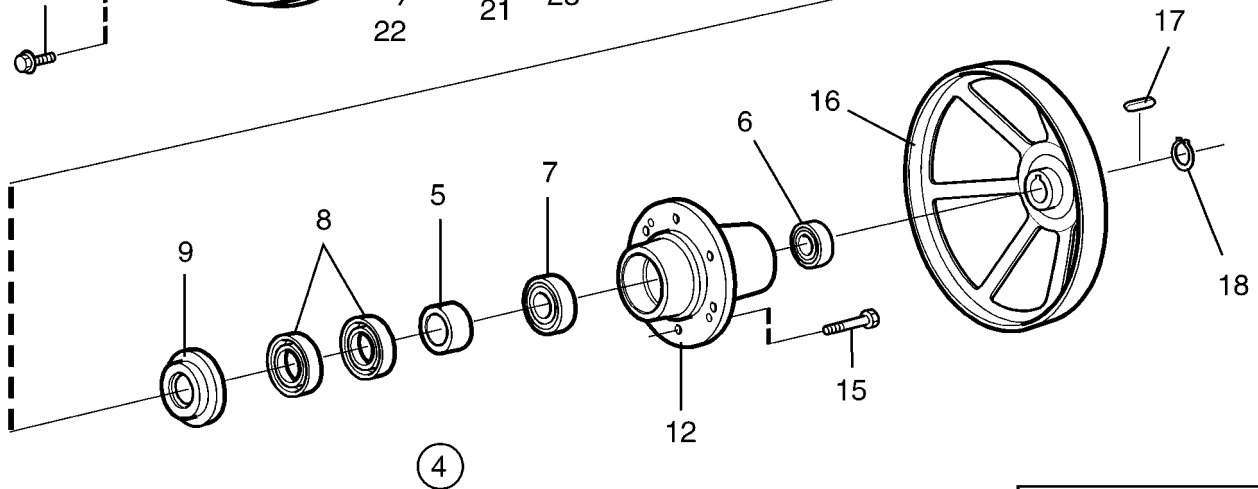
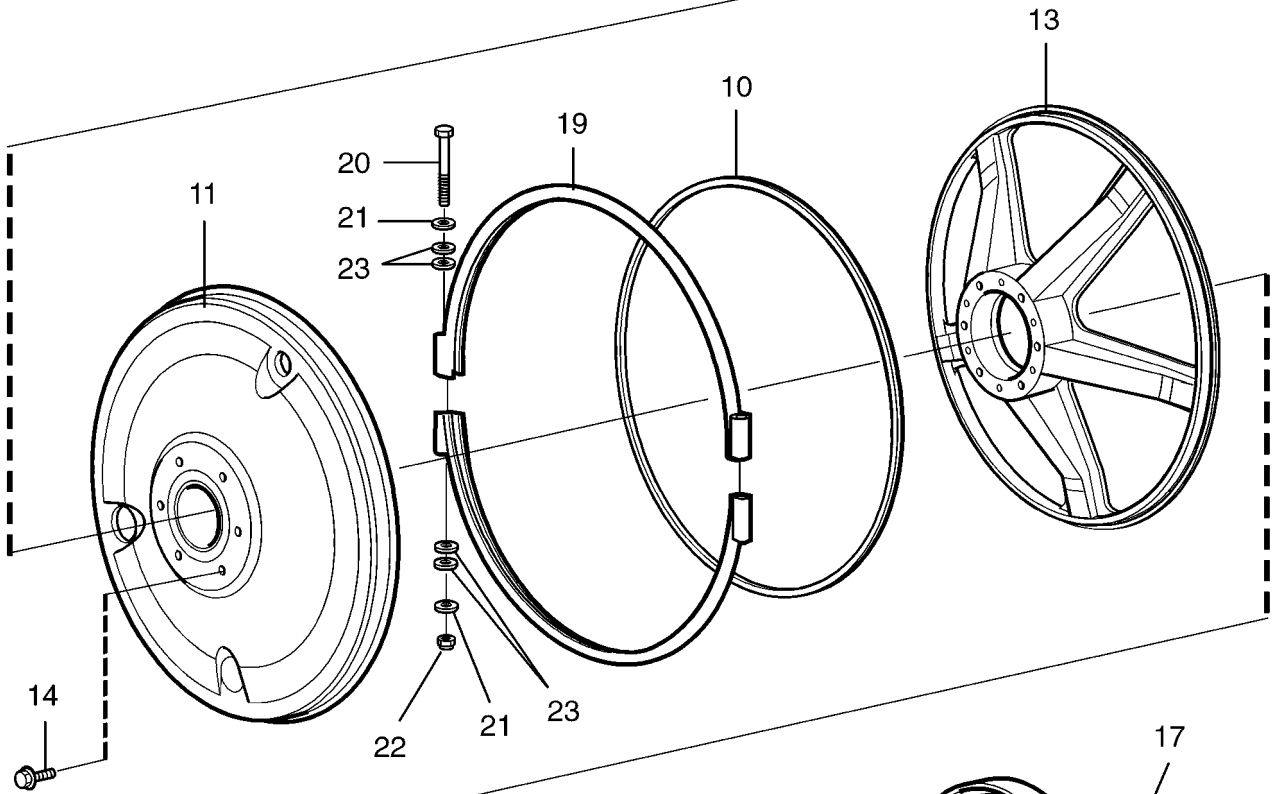
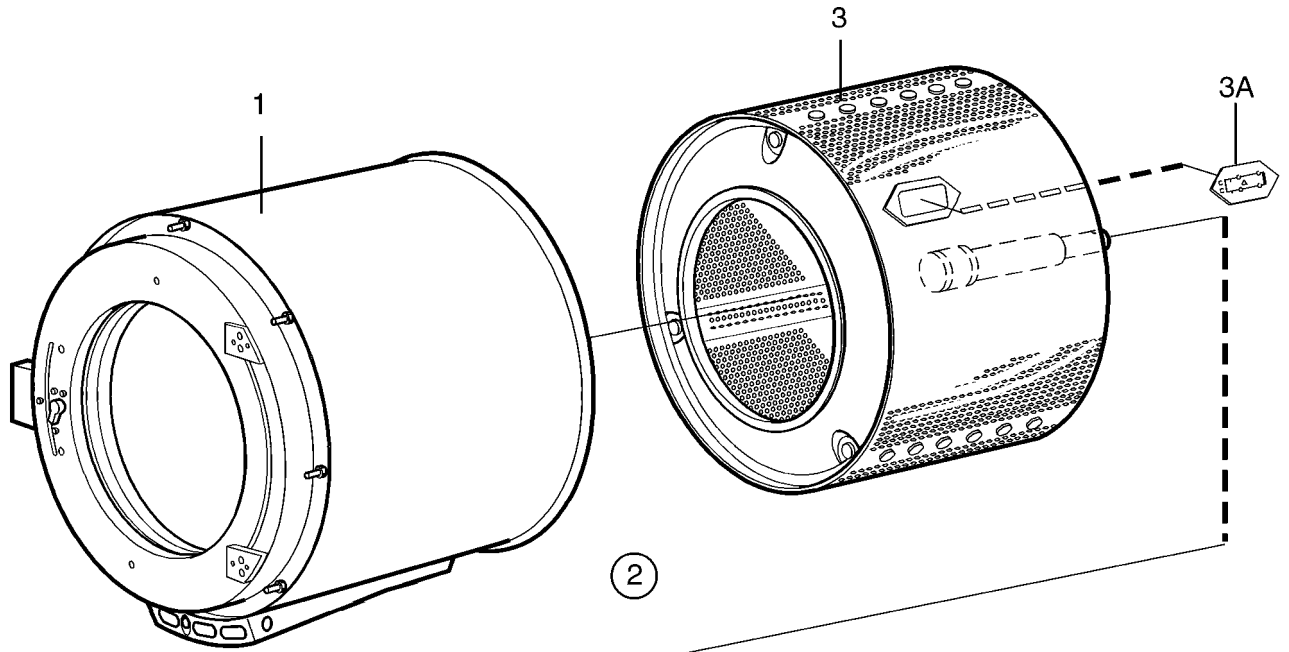
EX618co,EX625co,EX630co,EX640co,EX655co,EX670co

Drum, rear gable

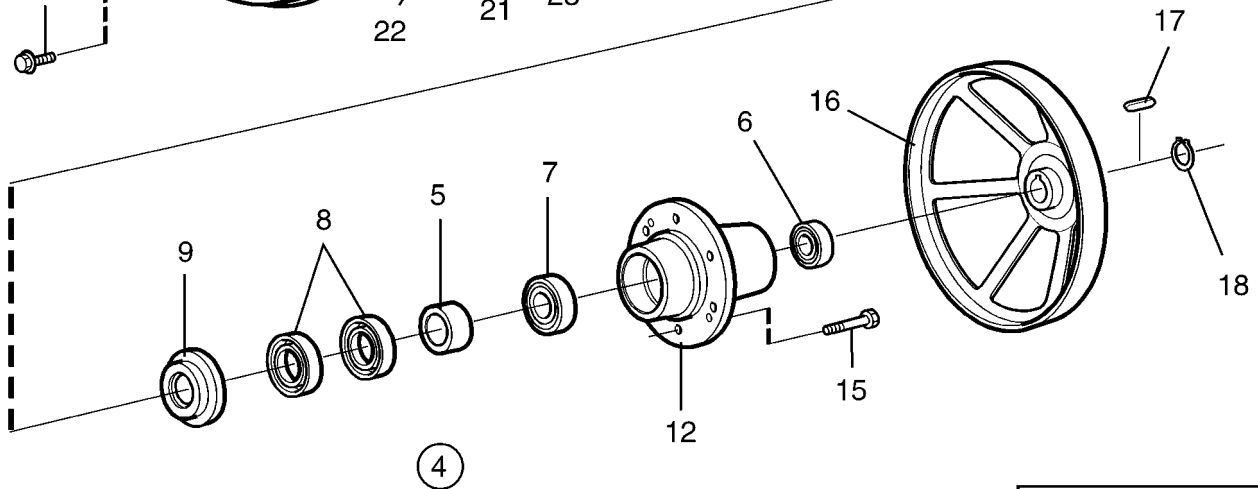
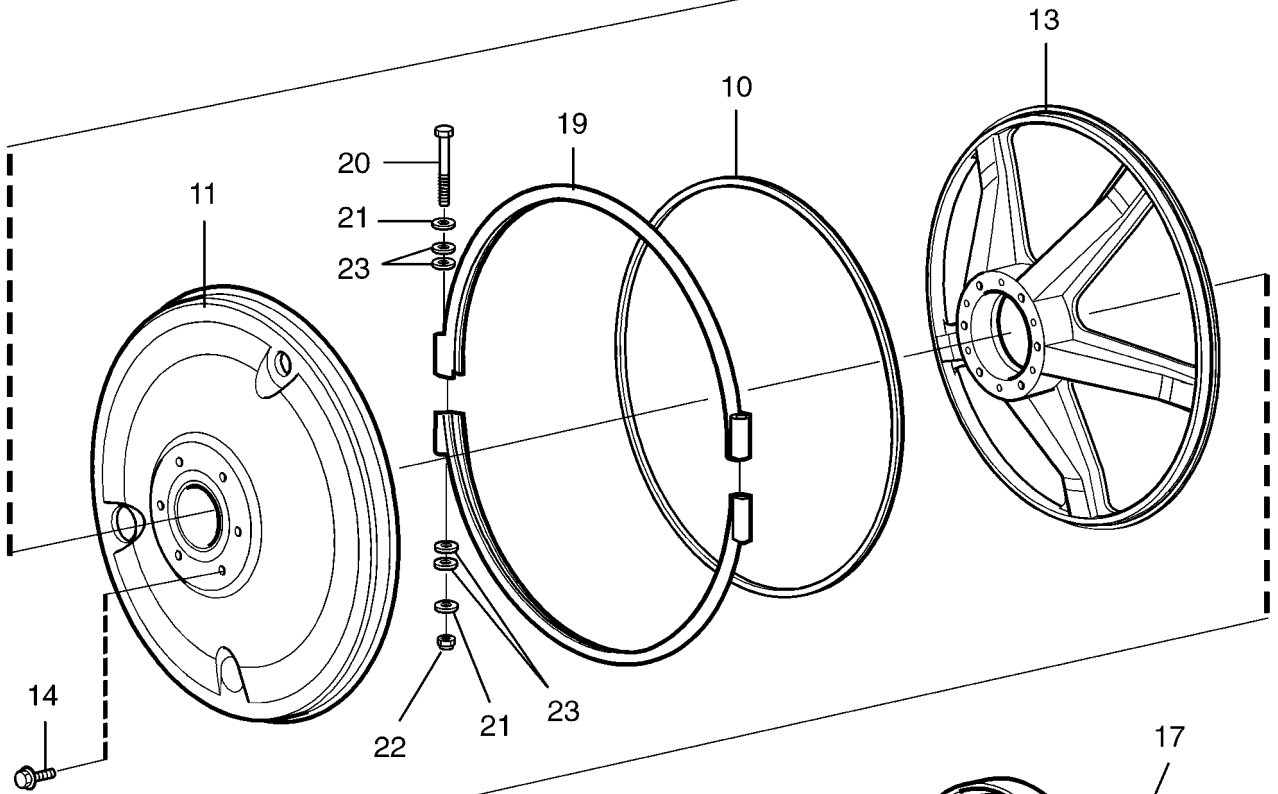
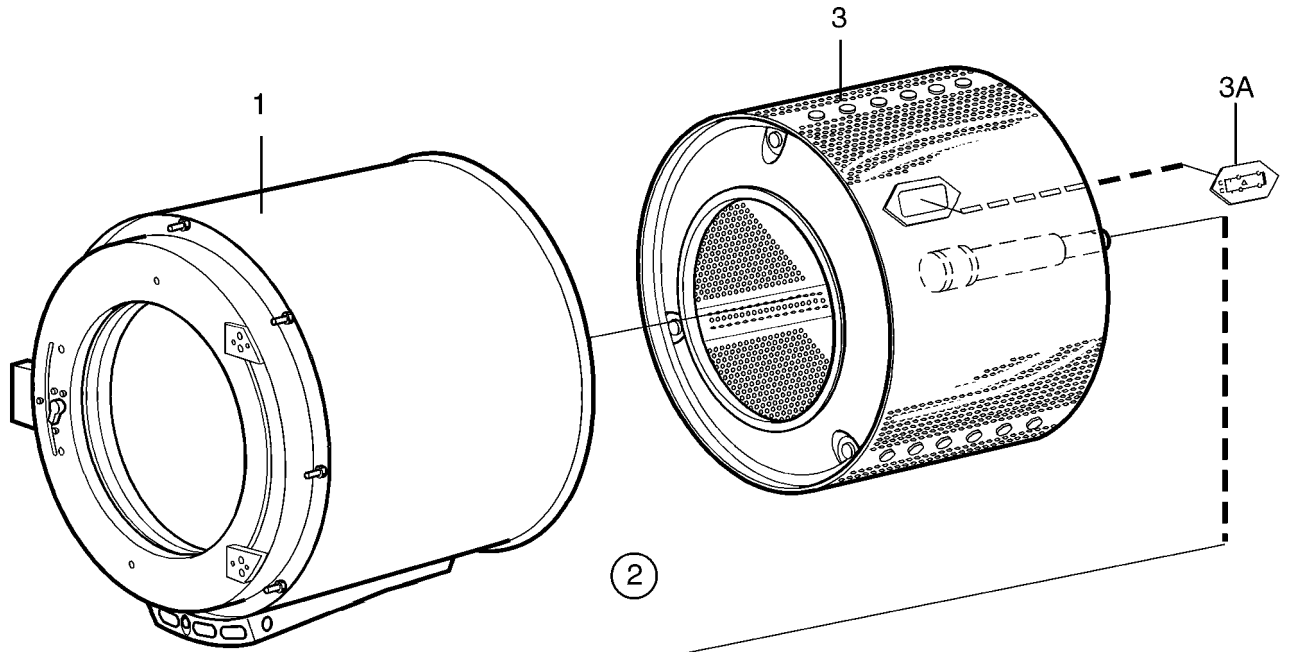
Tambour, pignon arrière

Illustration Issue Month Year
Schéma Issue Month Year
102301/1 5 8 2010

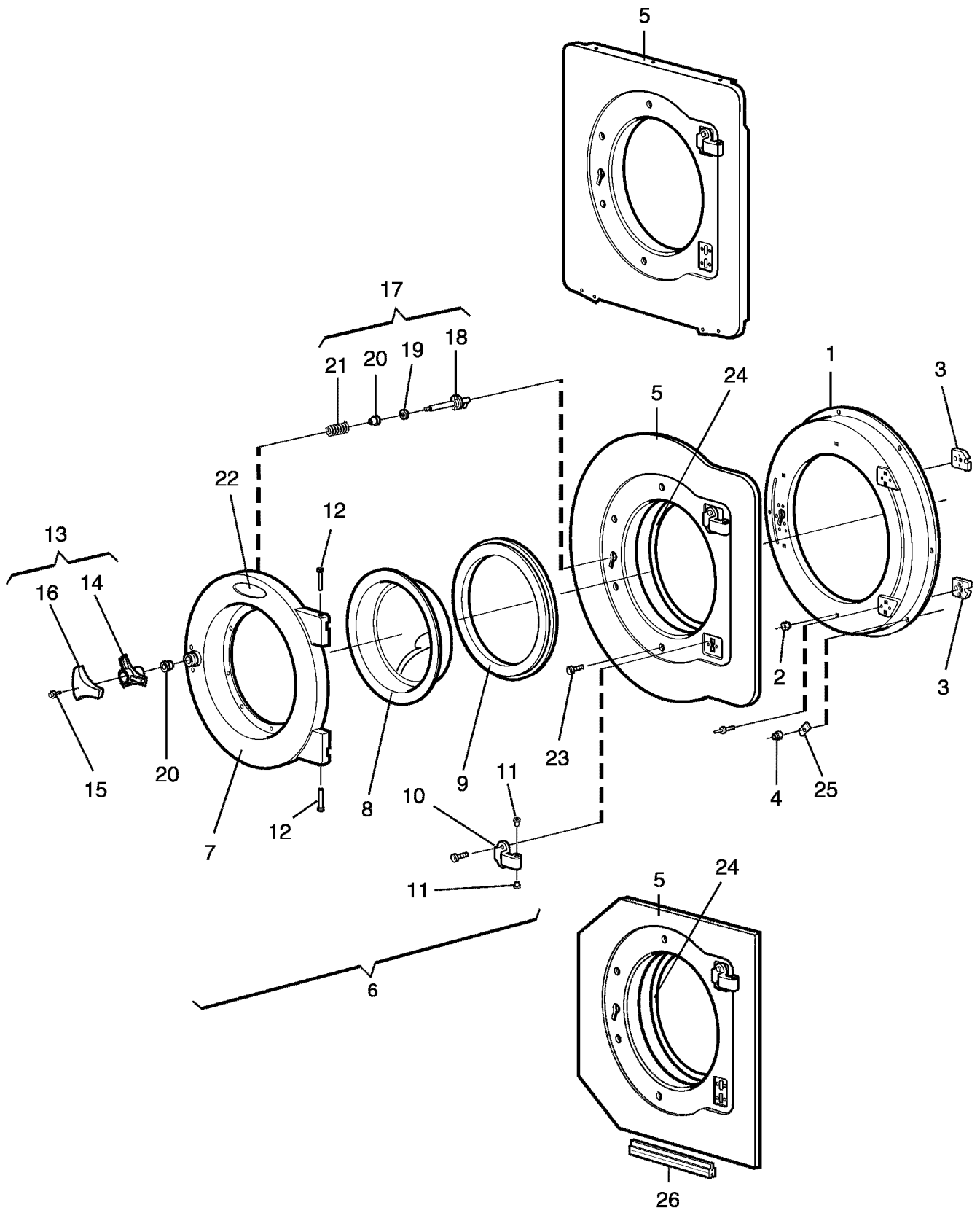
Item Article	Quantity Quantité	Art.No Réf. article	Description	Description	Info Info	Notes Remarques
1	1	432 1570-11	Outer drum	Tambour extérieur	3	Non-heated
	1	432 1570-12	Outer drum	Tambour extérieur	3	El/Dual heating
	1	432 1570-13	Outer drum	Tambour extérieur	3	Steam
	1	432 1571-01	Outer drum	Tambour extérieur	3	Non-heated
	1	432 1571-02	Outer drum	Tambour extérieur	3	El/Dual heating
	1	432 1571-03	Outer drum	Tambour extérieur	3	Steam
	1	432 1572-01	Outer drum	Tambour extérieur	3	Non-heated
	1	432 1572-02	Outer drum	Tambour extérieur	3	El/Dual heating
	1	432 1572-03	Outer drum	Tambour extérieur	3	Steam
	1	432 1573-01	Outer drum	Tambour extérieur	3	Non-heated
2	1	432 1573-02	Outer drum	Tambour extérieur	3	El/Dual heating
	1	432 1573-03	Outer drum	Tambour extérieur	3	Steam
	1	432 1574-01	Outer drum	Tambour extérieur	3	Non-heated
	1	432 1574-02	Outer drum	Tambour extérieur	3	El/Dual heating
	1	432 1574-03	Outer drum	Tambour extérieur	3	Steam
	1	432 1574-21	Outer drum	Tambour extérieur	3	Non-heated
	1	432 1574-22	Outer drum	Tambour extérieur	3	EL.
	1	432 1574-23	Outer drum	Tambour extérieur	3	DS
	1	432 1605-21	Rear gable	Pignon arrière	3	Complete
	1	432 1605-26	Rear gable	Pignon arrière	3	Gas heated Complete
3	1	432 1605-25	Rear gable	Pignon arrière	3	MOP Complete
	1	432 1606-01	Rear gable	Pignon arrière	3	Complete
	1	432 1606-02	Rear gable	Pignon arrière	3	Gas Complete
	1	432 1606-06	Rear gable	Pignon arrière	3	MOP Complete
	1	432 1607-01	Rear gable	Pignon arrière	3	Without lubrication
	1	432 1607-02	Rear gable	Pignon arrière	3	DBS Level tube
	1	432 1607-04	Rear gable	Pignon arrière	3	Level tube
	1	432 1607-05	Rear gable	Pignon arrière	3	DBS
	1	432 1607-07	Rear gable	Pignon arrière	3	MOP Complete
	1	432 1608-01	Rear gable	Pignon arrière	3	Without lubrication
	1	432 1608-03	Rear gable	Pignon arrière	3	Level tube
	1	432 1608-04	Rear gable	Pignon arrière	3	DBS Level tube
	1	432 1608-05	Rear gable	Pignon arrière	3	DBS
	1	432 1608-07	Rear gable	Pignon arrière	3	MOP Complete
	1	432 1609-01	Rear gable	Pignon arrière	3	Without lubrication
	1	432 1609-02	Rear gable	Pignon arrière	3	DBS
	1	432 1609-04	Rear gable	Pignon arrière	3	Level tube
	1	432 1609-05	Rear gable	Pignon arrière	3	DBS Level tube
	1	432 1609-07	Rear gable	Pignon arrière	3	MOP Complete
	1	432 1609-51	Rear gable	Pignon arrière	3	Complete
	1	432 1609-52	Rear gable	Pignon arrière	3	With level tube
	1	432 1609-53	Rear gable	Pignon arrière	3	MOP Complete
	1	432 1500-11	•Inner drum	•Intérieur du tambour	3	
	1	432 1500-15	•Inner drum	•Intérieur du tambour	3	MOP
	1	432 1501-01	•Inner drum	•Intérieur du tambour	3	
	1	432 1501-05	•Inner drum	•Intérieur du tambour	3	MOP
	1	432 1502-01	•Inner drum	•Intérieur du tambour	3	
	1	432 1502-03	•Inner drum	•Intérieur du tambour	3	DBS
	1	432 1502-05	•Inner drum	•Intérieur du tambour	3	MOP



Issue	Month	Year
02	04	08



Issue	Month	Year
02	04	08



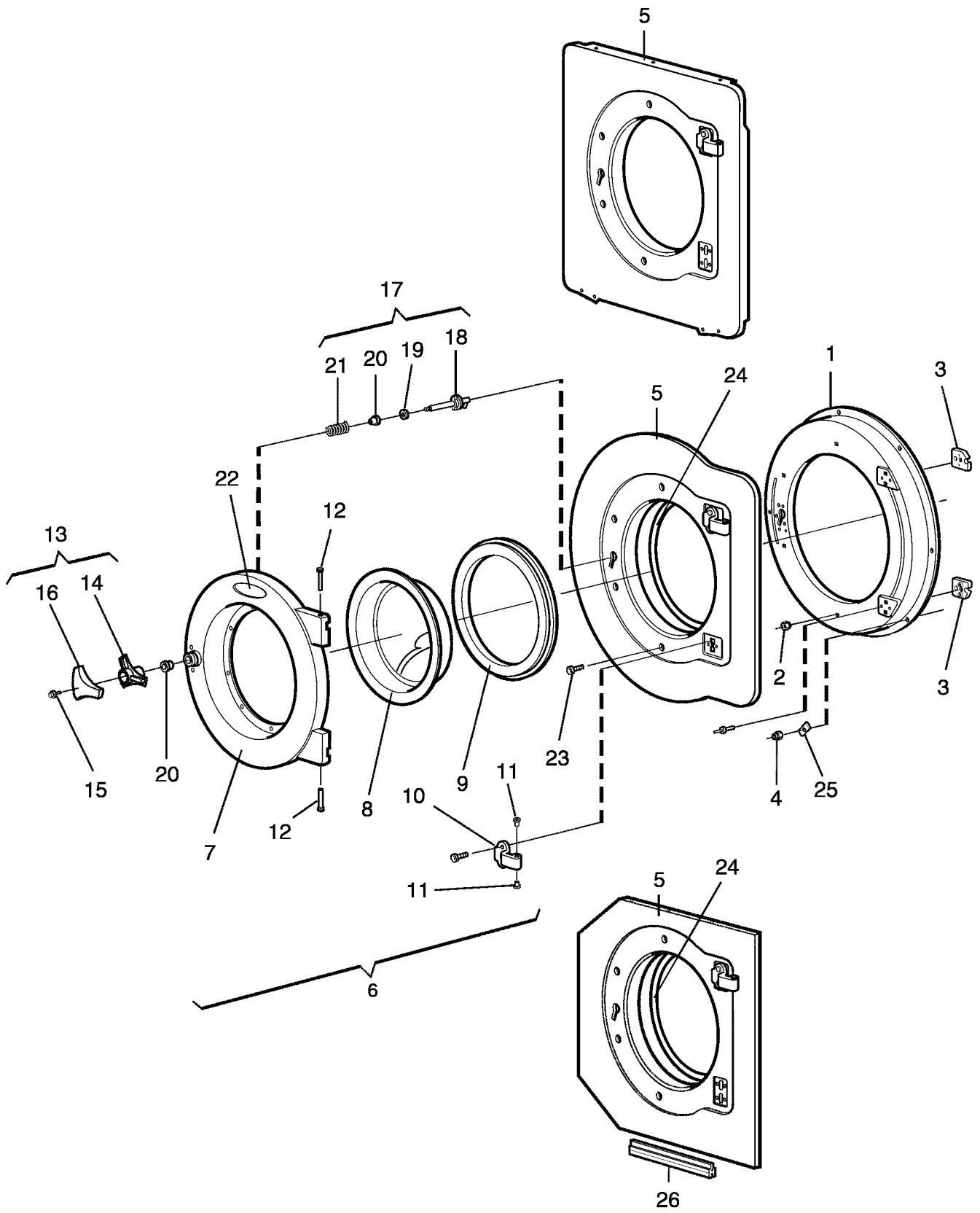
EX618co,EX625co,EX630co,EX640co,EX655co,EX670co

Door and hinged joint

Assemblage articulé et plaque

Illustration Issue Month Year
Schéma Issue Month Year
102302/1 5 8 2009

Item Article	Quantity Quantité					Art.No Réf. article	Description	Description	Info Info	Notes Remarques
	EX618co									
	EX625co									
	EX630co									
	EX640co									
	EX655co,EX670co									
1	1					432 1870-01	Support frame	Panneau de fixation	3	
		1				432 1871-01	Support frame	Panneau de fixation	3	
			1			432 1872-01	Support frame	Panneau de fixation	3	
				1		432 1873-01	Support frame	Panneau de fixation	3	
					1	432 1874-01	Support frame	Panneau de fixation	3	
2	4	4	4	4	4	471 8458-02	Nut	Écrou	3	M6
3	2	2	4	4	4	432 1951-01	•Bracket	•Support de montage	3	
4	9	9	11	11	11	471 8404-02	Locking nut	Contre-écrou	3	M6
5	1					432 1885-03	Trim panel	Panneau d'habillage	3	
	1					432 1885-11	Trim panel	Panneau d'habillage	3	Stainless
		1				432 1886-02	Trim panel	Panneau d'habillage	3	
		1				432 1886-11	Trim panel	Panneau d'habillage	3	Stainless
			1			432 1887-03	Trim panel	Panneau d'habillage	3	
			1			432 1887-04	Trim panel	Panneau d'habillage	3	With coin meter
			1			432 1887-11	Trim panel	Panneau d'habillage	3	Stainless
			1			432 1887-12	Trim panel	Panneau d'habillage	3	Stainless With coin meter
				1	1	432 1888-04	Trim panel	Panneau d'habillage	3	
				1	1	432 1888-05	Trim panel	Panneau d'habillage	3	With coin meter
				1	1	432 1888-11	Trim panel	Panneau d'habillage	3	Stainless
				1	1	432 1888-12	Trim panel	Panneau d'habillage	3	Stainless With coin meter
6	1					413 4012-01	Door	Plaque	1	Complete
		1				413 4112-01	Door	Plaque	1	Complete
			1			413 4212-01	Door	Plaque	1	Complete
			1	1		413 4312-01	Door	Plaque	1	Complete
			1	1		413 4312-02	Door	Plaque	1	Complete Lagoon
7	1					432 1825-03	•Door	•Plaque	3	
		1				432 1826-02	•Door	•Plaque	3	
			1			432 1827-02	•Door	•Plaque	3	
				1	1	432 1828-02	•Door	•Plaque	3	
8	1					432 1855-01	•Door glass	•Vitre de la porte	1,2	
		1				432 1856-01	•Door glass	•Vitre de la porte	1,2	
			1			432 1857-01	•Door glass	•Vitre de la porte	1,2	
			1			432 1857-02	•Door glass	•Vitre de la porte	1,2	Lagoon/ AquaClean
				1	1	432 1858-01	•Door glass	•Vitre de la porte	1,2	
				1	1	432 1858-02	•Door glass	•Vitre de la porte	1,2	Lagoon/ AquaClean
9	1					432 1840-02	•Door gasket	•Joint de porte	1,2	Black
	1					432 1840-03	•Door gasket	•Joint de porte	1,2	Grey
		1				432 1841-02	•Door gasket	•Joint de porte	1,2	
			1			432 1842-02	•Door gasket	•Joint de porte	1,2	
				1	1	432 1843-02	•Door gasket	•Joint de porte	1,2	
10	2	2	2	4	4	432 1950-02	•Hinged joint	•Assemblage articulé	1	
11	4	4	4	8	8	438 4062-01	•Bushing	•Douille	3	
12	2	2				432 1961-01	•Pin	•Goupille	3	
			2	2	2	432 1962-01	•Pin	•Goupille	3	
13	1	1	1	1	1	472 9920-02	•Knob	•Bouton de porte	1,2	Complete
14	1	1	1	1	1		••Knob	••Bouton de porte		Complete
15	1	1	1	1	1	725 2366-61	••Screw	••Vis	3	M6SF 6X12
16	1	1	1	1	1	432 2270-01	••Knob	••Bouton de porte	1	
17	1	1	1	1	1	472 9920-01	•Lock shaft	•Axe de verrouillage	1,2	Complete
18	1	1	1	1	1		••Lock shaft	••Axe de verrouillage		



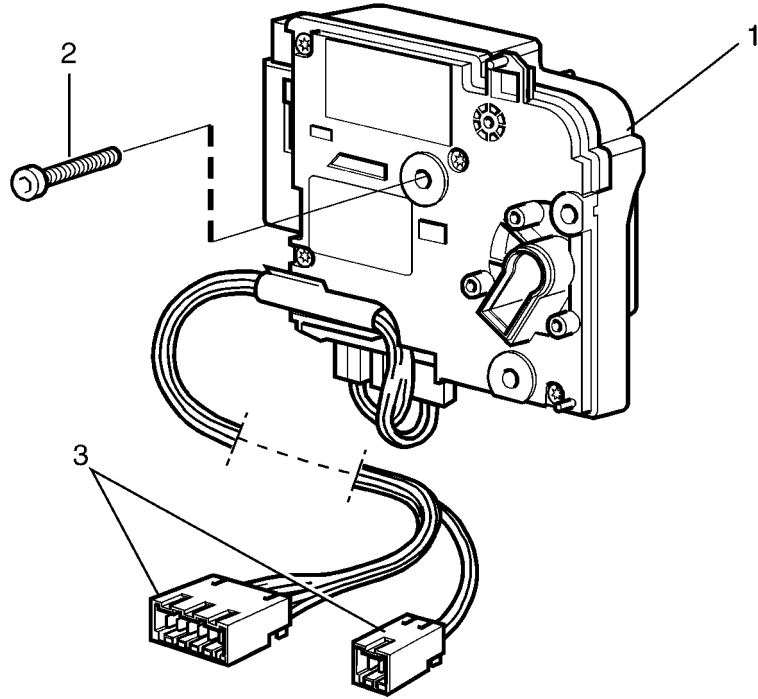
EX618co,EX625co,EX630co,EX640co,EX655co,EX670co

Door and hinged joint

Assemblage articulé et plaque

Illustration Issue Month Year
Schéma Issue Month Year
102302/1 5 8 2009

Item Article	Quantity Quantité					Art.No Réf. article	Description	Description	Info Info	Notes Remarques
	EX618co									
	EX625co									
	EX630co									
	EX640co									
	EX655co,EX670co									
19	1	1	1	1	1		••Washer	••Rondelle		
20	2	2	2	2	2		••Bushing	••Douille		
21	1	1	1	1	1		••Torsion spring	••Ressort rotatif		
22	1	1	1	1	1	432 2620-12	Sign	Échelle	3	Electrolux
	1	1	1	1	1	432 2620-02	Sign	Signe	3	Wascomat
23	4	4	8	8	8	471 8344-36	Screw	Vis	3	
24	-	-	-	-	-					Not used
25			11	11	11	471 8527-01	Spring washer	Rondelle à ressort	3	
26	-	-	-	-	-					Not used



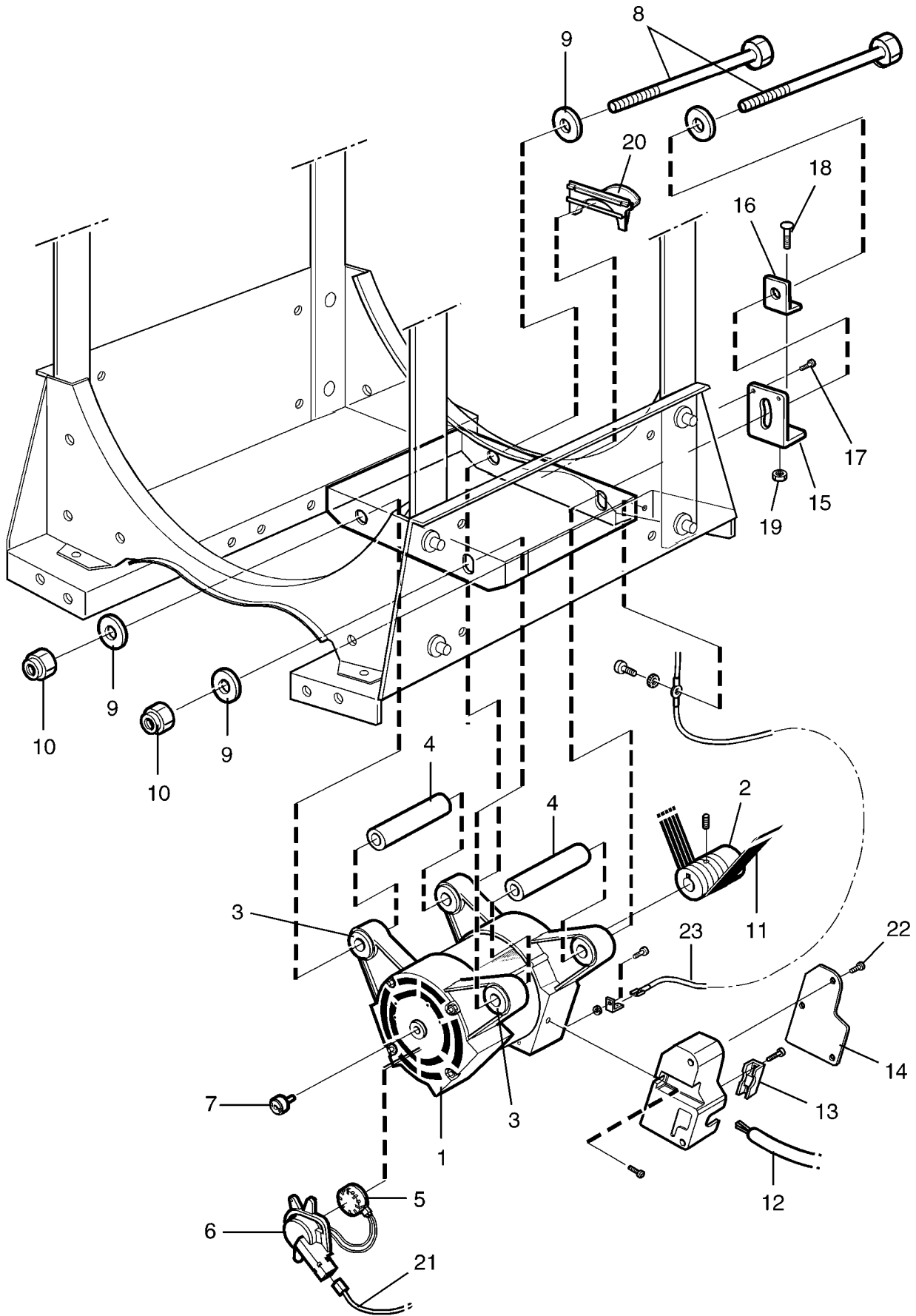
EX618co,EX625co,EX630co,EX640co,EX655co,EX670co

Door lock

Serrure de porte

Illustration Issue Month Year
Schéma Issue Month Year
102500/1 1 1 2007

Item Article	Quantity Quantité							Art.No Réf. article	Description	Description	Info Info	Notes Remarques
	EX618co											
	EX625co											
	EX630co											
	EX640co											
	EX655co											
	EX670co											
1	1	1	1	1	1	1	1	438 9561-01	Door locking device	Serrure de porte	1,2	Complete M6X25
2	3	3	3	3	3	3	3	471 8342-47	Screw	Vis	3	
3	1							432 2905-07	Cable set	Jeu de câbles	3	
		1						432 2905-09	Cable set	Jeu de câbles	3	
			1					432 2905-11	Cable set	Jeu de câbles	3	
				1				432 2905-13	Cable set	Jeu de câbles	3	
					1	1		432 2905-15	Cable set	Jeu de câbles	3	



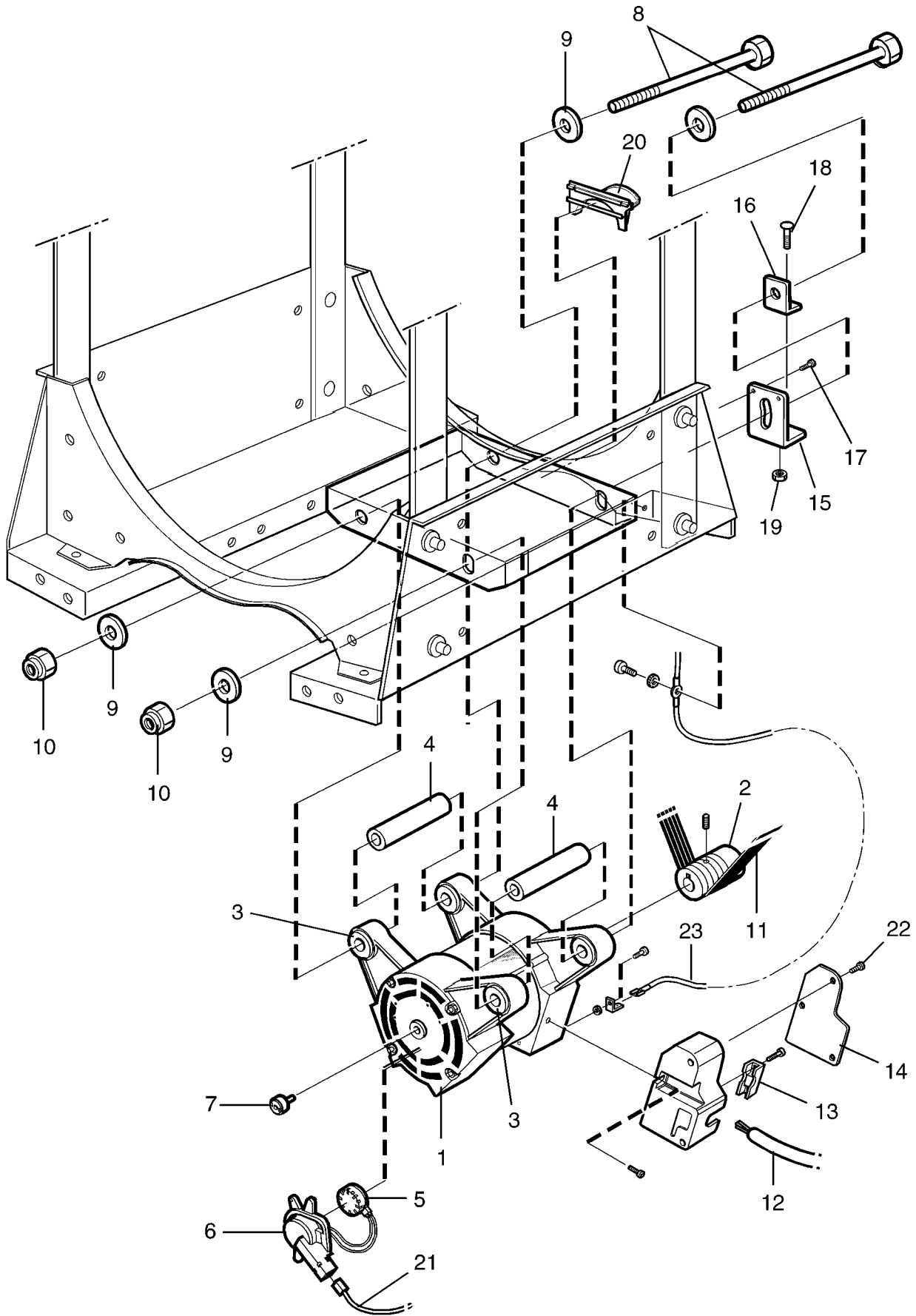
EX618co,EX625co,EX630co,EX640co,EX655co,EX670co

Motor

Moteur

Illustration Issue Month Year
Schéma Issue Month Year
102490/1 4 12 2008

Item Article	Quantity Quantité	Art.No Réf. article	Description	Description	Info Info	Notes Remarques
1	1	438 9701-31	Motor	Moteur	1,2	Complete - 520/111627 520/111641- 115133 520/115144- 120398 520/120409-121020
	1	413 9701-01	Motor	Moteur	1,2	Complete 520/111628- 111640 520/115134- 115143 520/120399- 120408 520/121021-
	1	438 9702-31	Motor	Moteur	1,2	
	1	438 9703-21	Motor	Moteur	1,2	Complete
	1	438 9705-61	Motor	Moteur	1,2	Complete
	1	438 9705-71	Motor	Moteur	1,2	Complete
	1	438 9705-21	Motor	Moteur	1,2	Complete
2	1		•Pulley	•Poulie	3	
	1		•Pulley	•Poulie	3	
	1		•Pulley	•Poulie	3	
	1		•Pulley	•Poulie	3	
	1		•Pulley	•Poulie	3	
3	4	438 8158-01	•Rubber bushing	•Douille caoutchouc	3	-520/111627 520/111641- 115133 520/115144- 120398 520/120409-121020
	4	438 8172-01	•Rubber bushing	•Douille caoutchouc	3	520/111628- 111640 520/115134- 115143 520/120399- 120408 520/121021-
4	4	438 8158-01	•Rubber bushing	•Douille caoutchouc	3	
	4	438 8158-02	•Rubber bushing	•Douille caoutchouc	3	
	2	432 0641-01	•Pipe	•Tube	3	
	2	432 0641-01	•Pipe	•Tube	3	-520/111627 520/111641- 115133 520/115144- 120398 520/120409-121020



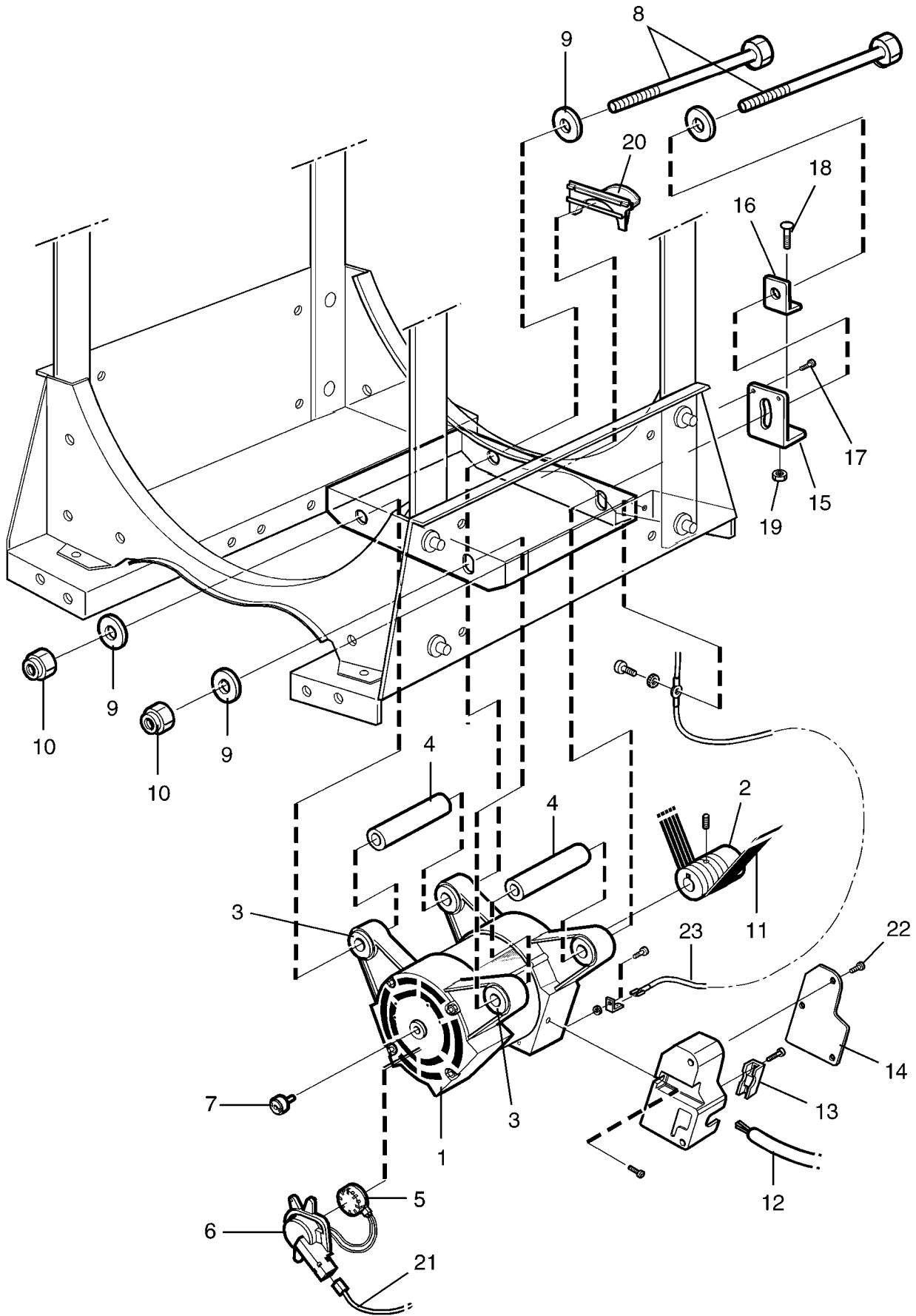
EX618co,EX625co,EX630co,EX640co,EX655co,EX670co

Motor

Illustration Issue Month Year
Schéma Issue Month Year
102490/1 4 12 2008

Moteur

Item Article	Quantity Quantité						Art.No Réf. article	Description	Description	Info Info	Notes Remarques
	EX618co										
	EX625co										
	EX630co										
	EX640co										
	EX655co										
	EX670co										
	2						438 5124-05 •Pipe	•Tube	3	520/111628-111640 520/115134-115143 520/120399-120408 520/121021-	
5	1	1	1	1	1	1	471 8826-01 •Tacho sensor	•Tacho sensor	3		
6	1	1	1	1	1	1	432 1229-01 •Cover	•Couvercle	1,2		
7	1	1	1	1	1	1	471 8827-01 •Magnet	•Aimant	3		
8	2						471 8356-10 Screw	Vis	3	M12x200 - 520/111627 520/111641-115133 520/115144-120398 520/120409-121020	
	2						471 8356-14 Screw	Vis	3	M8x190 520/111628-111640 520/115134-115143 520/120399-120408 520/120409-121020	
		2	2				471 8356-05 Screw	Vis	3	M12x240	
			2				471 8356-06 Screw	Vis	3	M12x260	
				2	2		471 8356-08 Screw	Vis	3	M12X300	
9	4						471 8502-10 Washer	Rondelle	3	12x35 - 520/111627 520/111641-115133 520/115144-120398 520/120409-121020	
	4						471 8502-14 Washer	Rondelle	3	BRB 8,4X17 520/111628-111640 520/115134-115143 520/120399-120408 520/121021-	
		4					471 8502-10 Washer	Rondelle	3	12x35	
			4				471 8502-00 Washer	Rondelle	3		
				4			471 8502-10 Washer	Rondelle		12x35	
					4		734 1178-01 Washer	Rondelle	3	BRB 13X24	



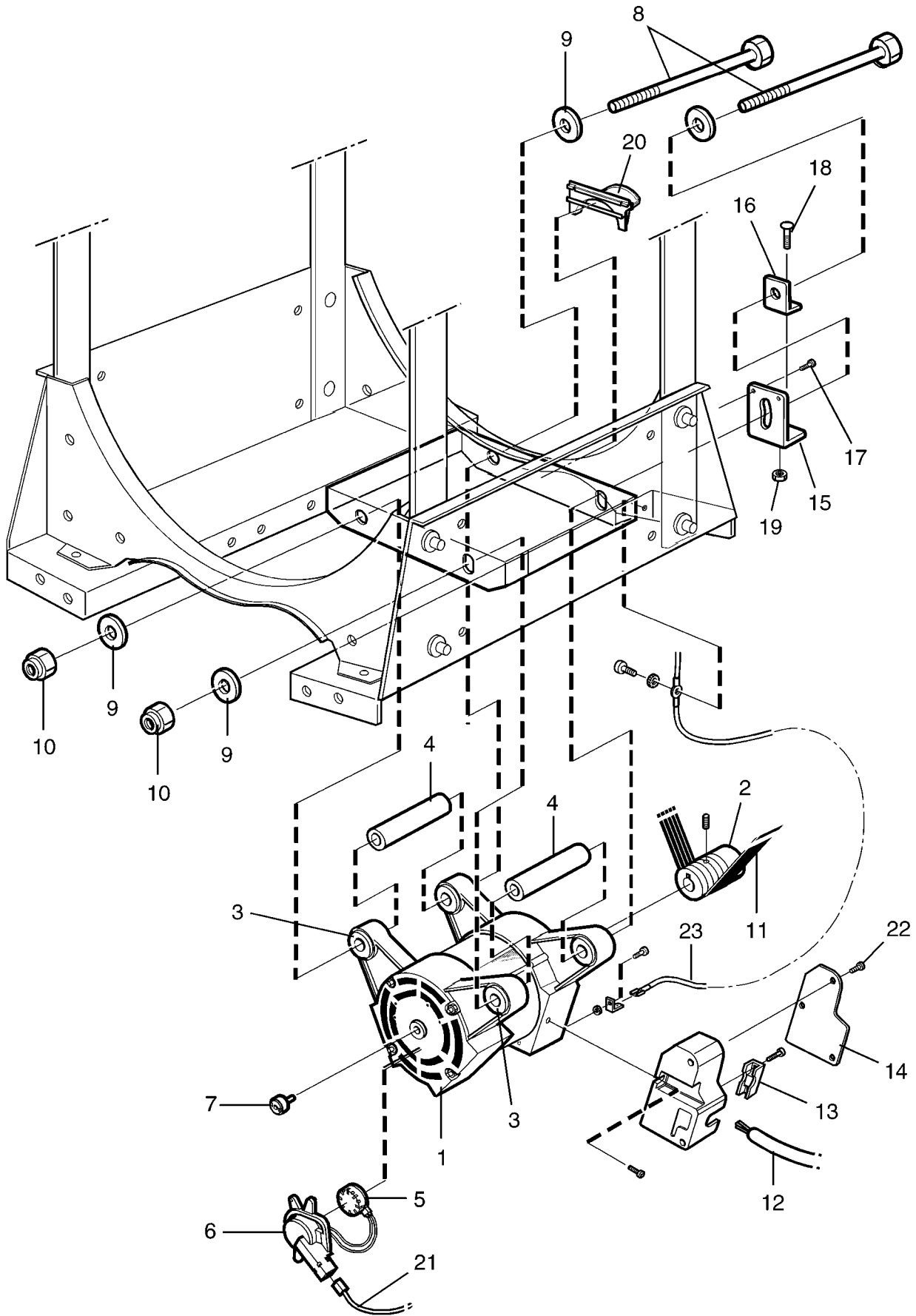
EX618co,EX625co,EX630co,EX640co,EX655co,EX670co

Motor

Illustration Issue Month Year
Schéma Issue Month Year
102490/1 4 12 2008

Moteur

Item Article	Quantity Quantité	Art.No Réf. article	Description	Description	Info Info	Notes Remarques
10	2	732 2122-01	Locking nut	Contre-écrou	3	M12 - 520/111627 520/111641- 115133 520/115144- 120398 520/120409-121020
	2	732 2118-01	Locking nut	Contre-écrou	3	M8 520/111628- 111640 520/115134- 115143 520/120399- 120408 520/121021-
11	1	732 2122-01 471 7711-06	Locking nut Ribbed belt	Contre-écrou Courroie poly V	1,2	M12 -520/111627 520/111641- 115133 520/115144- 120398 520/120409-121020
	1	471 7711-13	Ribbed belt	Courroie poly V	1,2	520/111628- 111640 520/115134- 115143 520/120399- 120408 520/121021-
12	1	471 7711-07	Ribbed belt	Courroie poly V	1,2	
	1	471 7711-12	Ribbed belt	Courroie poly V	1,2	
	1	471 7705-02	Ribbed belt	Courroie poly V	1,2	
	1	471 7705-03	Ribbed belt	Courroie poly V	1,2	
	1	432 2990-01	Cable set	Jeu de câbles	3	
13	1	432 2990-02	Cable set	Jeu de câbles	3	
	1	432 2991-01	Cable set	Jeu de câbles	3	
	1	438 9799-02	Clamp	Attache	3	
14	1	438 9799-03	Cover	Couvercle	3	
15	1	432 1454-01	Belt tensioner	Tendeur de courroie	3	-520/111627 520/111641- 115133 520/115144- 120398 520/120409-121020
16	1	432 1454-01	Belt tensioner	Tendeur de courroie	3	
	1	432 1455-01	Washer	Rondelle	3	-520/111627 520/111641- 115133 520/115144- 120398 520/120409-121020
	1	432 1455-01	Washer	Rondelle	3	



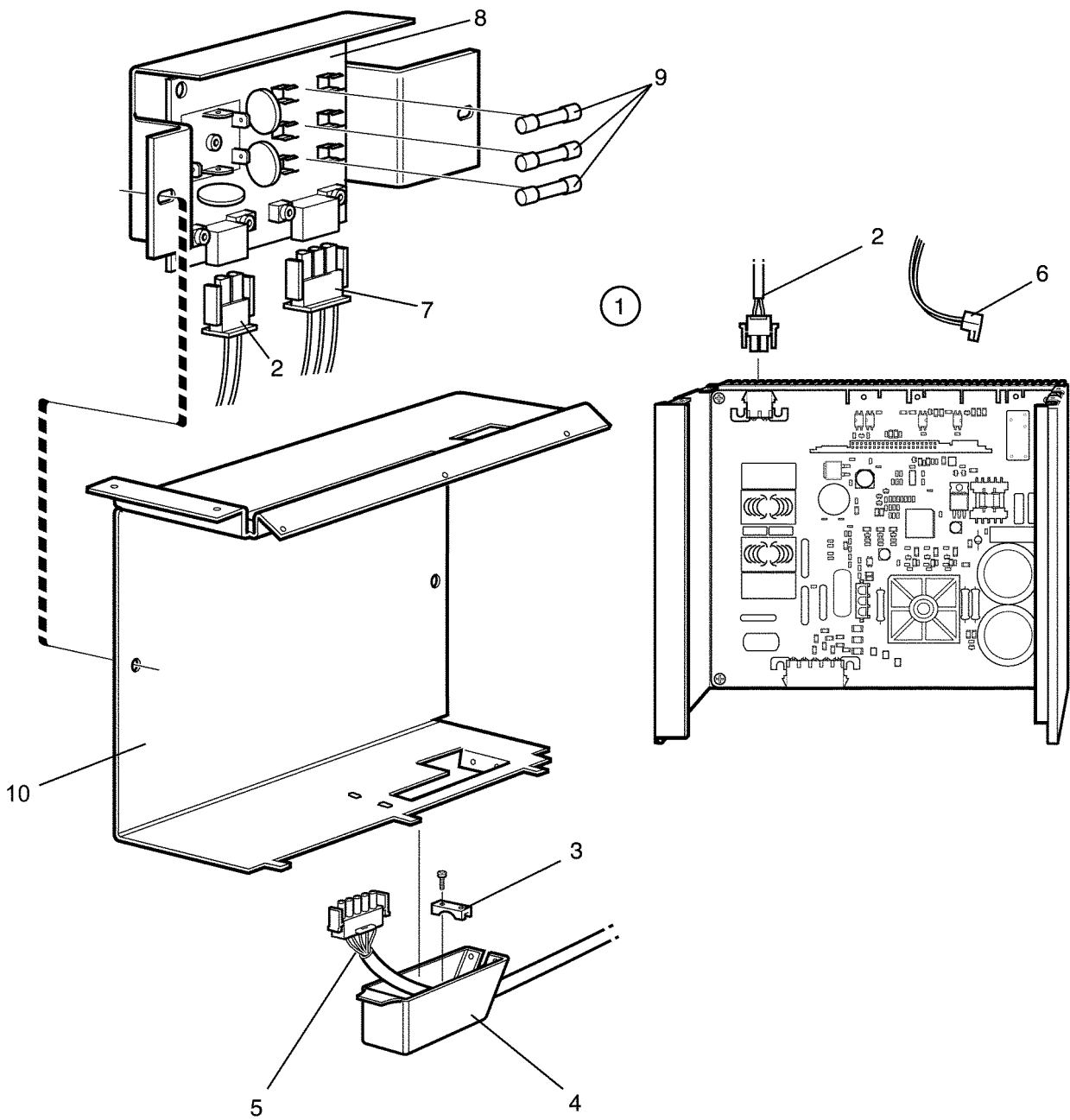
EX618co,EX625co,EX630co,EX640co,EX655co,EX670co

Motor

Illustration Issue Month Year
Schéma Issue Month Year
102490/1 4 12 2008

Moteur

Item Article	Quantity Quantité	Art.No Réf. article	Description	Description	Info Info	Notes Remarques
17	EX618co					
	2	EX625co				
		2	EX630co			
			2	EX640co		
				2	EX655co	
					2	EX670co
						2
471 8342-23	Screw	Vis	3	MRT-TT 5X10 - 520/111627 520/111641- 115133 520/115144- 120398 520/120409-121020		
18	1	471 8342-23	Screw	Vis	3	MRT-TT 5X10
		471 8322-03	Screw	Vis	3	M8X50 - 520/111627 520/111641- 115133 520/115144- 120398 520/120409-121020
19	1	471 8322-03	Screw	Vis	3	M8X50
		732 2118-01	Locking nut	Contre-écrou	3	M8 -520/111627 520/111641- 115133 520/115144- 120398 520/120409-121020
20	1	732 2118-01	Locking nut	Contre-écrou	3	M8
		432 1473-01	Drip guard	Lèche-goutte	3	-520/111627 520/111641- 115133 520/115144- 120398 520/120409-121020
21	1	432 1473-01	Drip guard	Lèche-goutte	3	
		413 3272-07	Cable set	Jeu de câbles	3	
		413 3272-10	Cable set	Jeu de câbles	3	
		413 3272-18	Cable set	Jeu de câbles	3	
		413 3272-23	Cable set	Jeu de câbles	3	
22	3	413 3272-16	Cable set	Jeu de câbles	3	
		471 8342-13	Screw	Vis	3	MRT-TT 4X10
23	1	432 2983-01	Cable set	Jeu de câbles	3	Main switch
		432 2983-02	Cable set	Jeu de câbles	3	Main switch



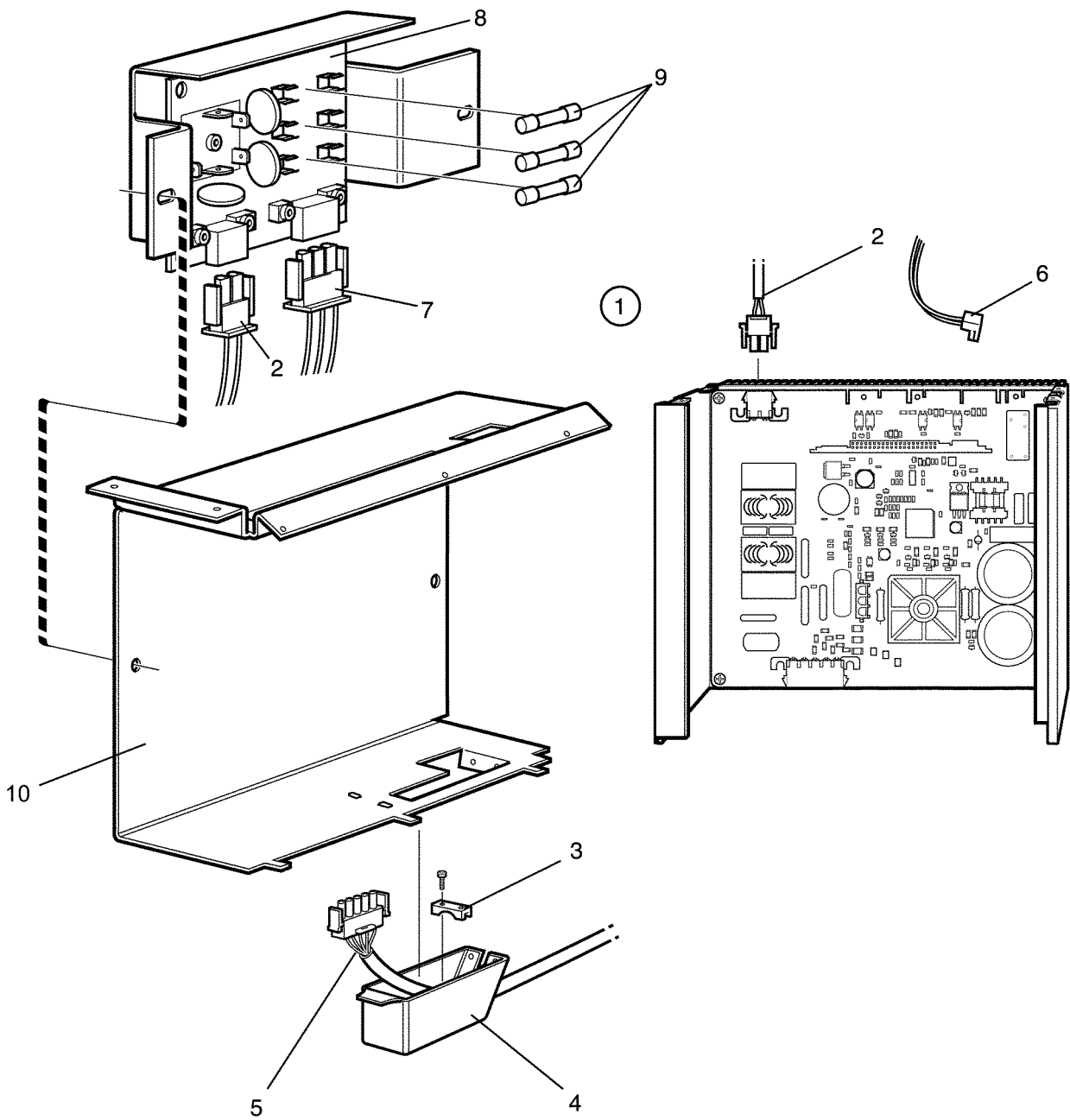
EX618co,EX625co,EX630co,EX640co,EX655co,EX670co

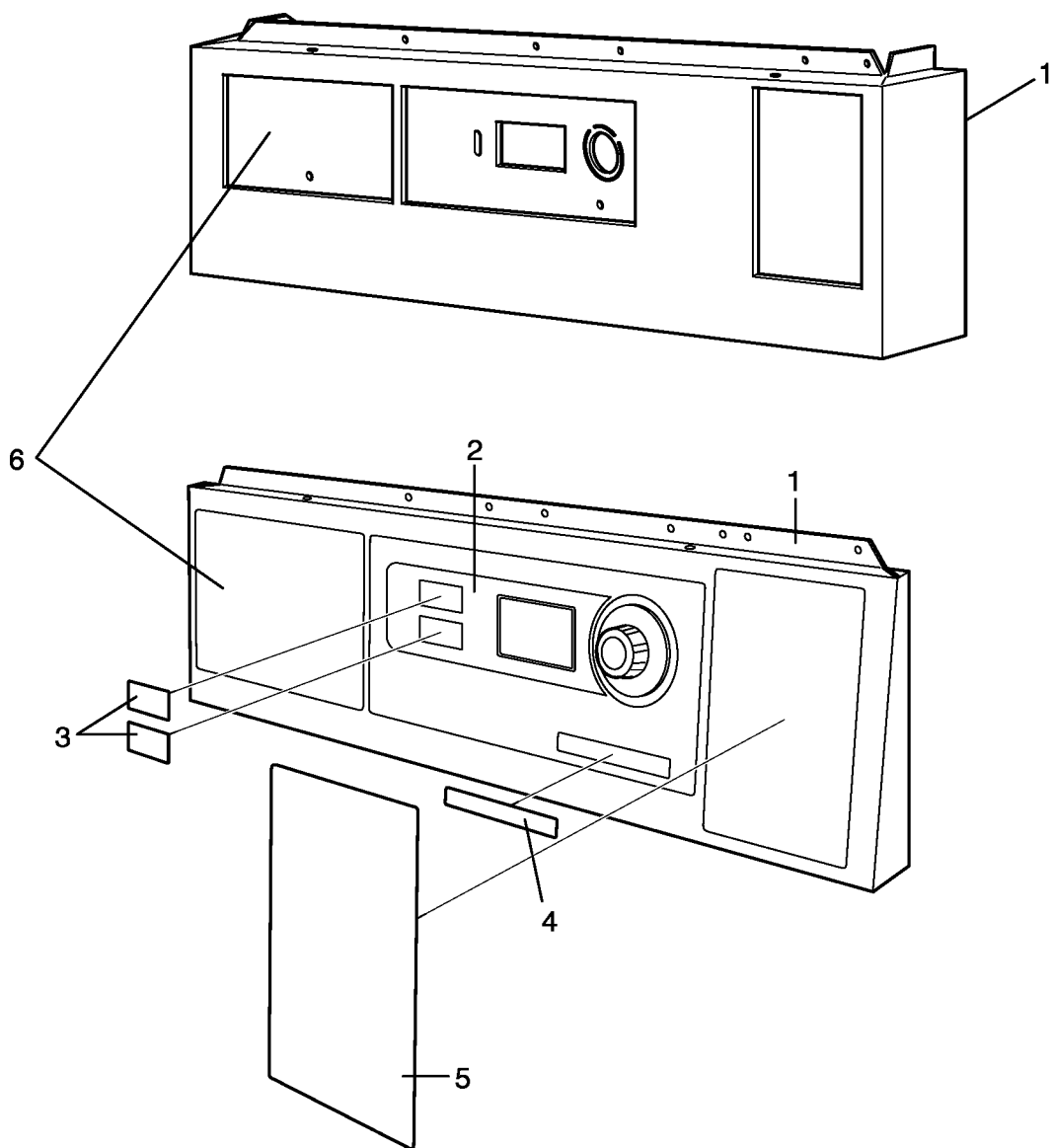
Motor control

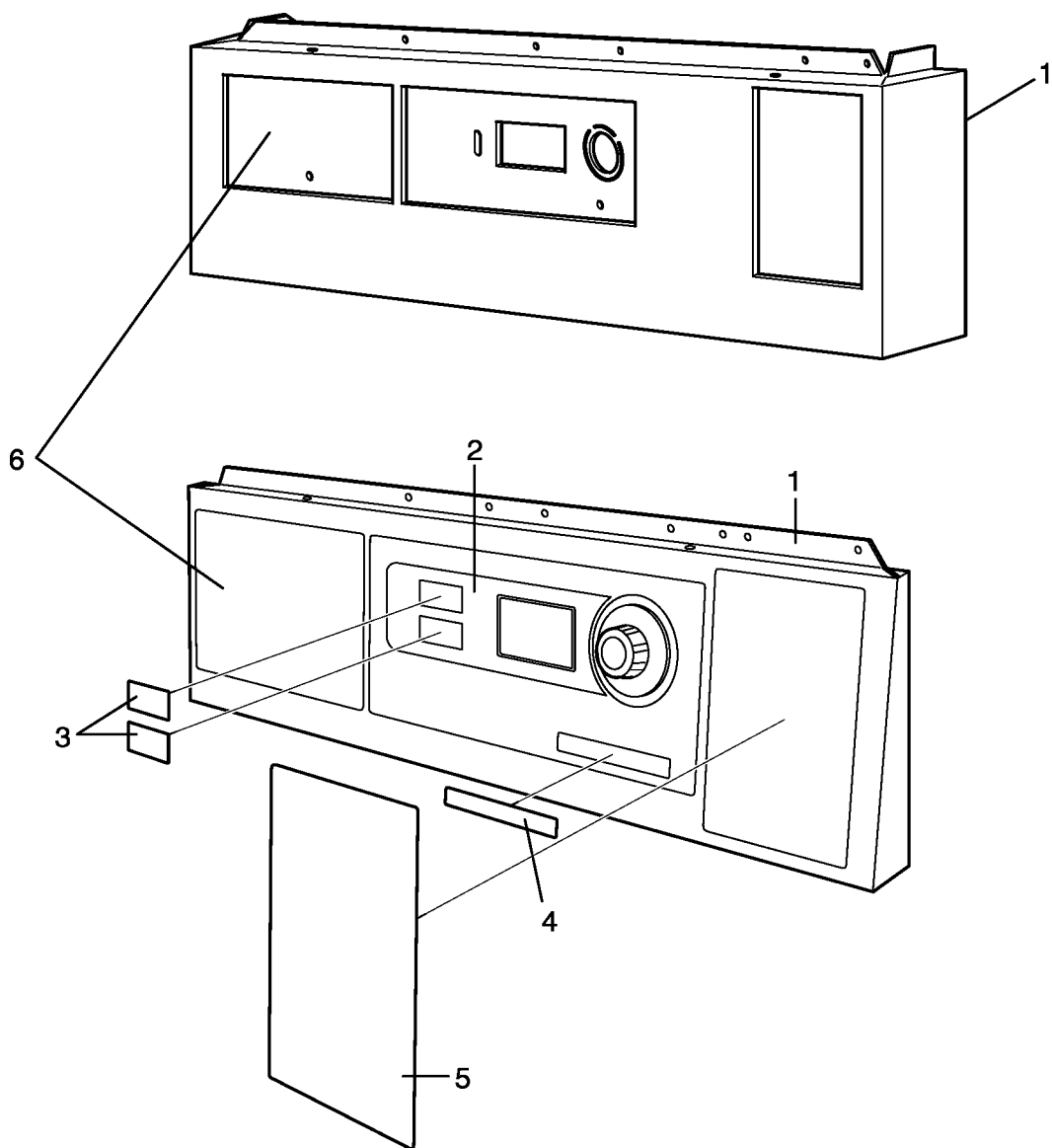
Contrôle du moteur

Illustration Issue Month Year
Schéma Issue Month Year
102491/1 7 11 2011

Item Article	Quantity Quantité	Art.No Réf. article	Description	Description	Info Info	Notes Remarques				
1	1	EX618co	Motor control	Contrôle du moteur	1	200-240V Complete - 520/111627 520/111641- 115133 520/115144- 120398 520/120409-121020				
	1	EX625co								
	1	EX630co								
	1	EX640co								
	1	EX655co								
	1	EX670co								
	1	472 9929-01					Motor control	Contrôle du moteur	1	200-240V Complete - 520/111627 520/111641- 115133 520/115144- 120398 520/120409-121020
	1	472 9929-02					Motor control	Contrôle du moteur	1	200-240V Complete - 522/411432 520/111628- 111640 520/115134- 115143 520/120399- 120408 520/121021-999999
	1	472 9929-31					Motor control	Contrôle du moteur	1	200-240V 522/411433-
	1	472 9929-04					Motor control	Contrôle du moteur	1	200-240V Complete Japan -520/111627 520/111641- 115133 520/115144- 120398 520/120409-121020
	1	472 9929-03					Motor control	Contrôle du moteur	1	200-240V Complete Japan -522/411432 520/111628- 111640 520/115134- 115143 520/120399- 120408 520/121021-999999
	1	472 9929-32					Motor control	Contrôle du moteur	1	200-240V Japan 522/411433-
1	472 9929-01	Motor control	Contrôle du moteur	1	200-240V Complete - 595/999999, -522/411432					
1	472 9929-31	Motor control	Contrôle du moteur	1	200-240V 522/411433-					
1	472 9929-04	Motor control	Contrôle du moteur	1	200-240V Complete Japan -595/999999, -522/411432					
1	472 9929-32	Motor control	Contrôle du moteur	1	200-240V Japan 522/411433-					







EX618co,EX625co,EX630co,EX640co,EX655co,EX670co

Control panel

Pupitre de commande

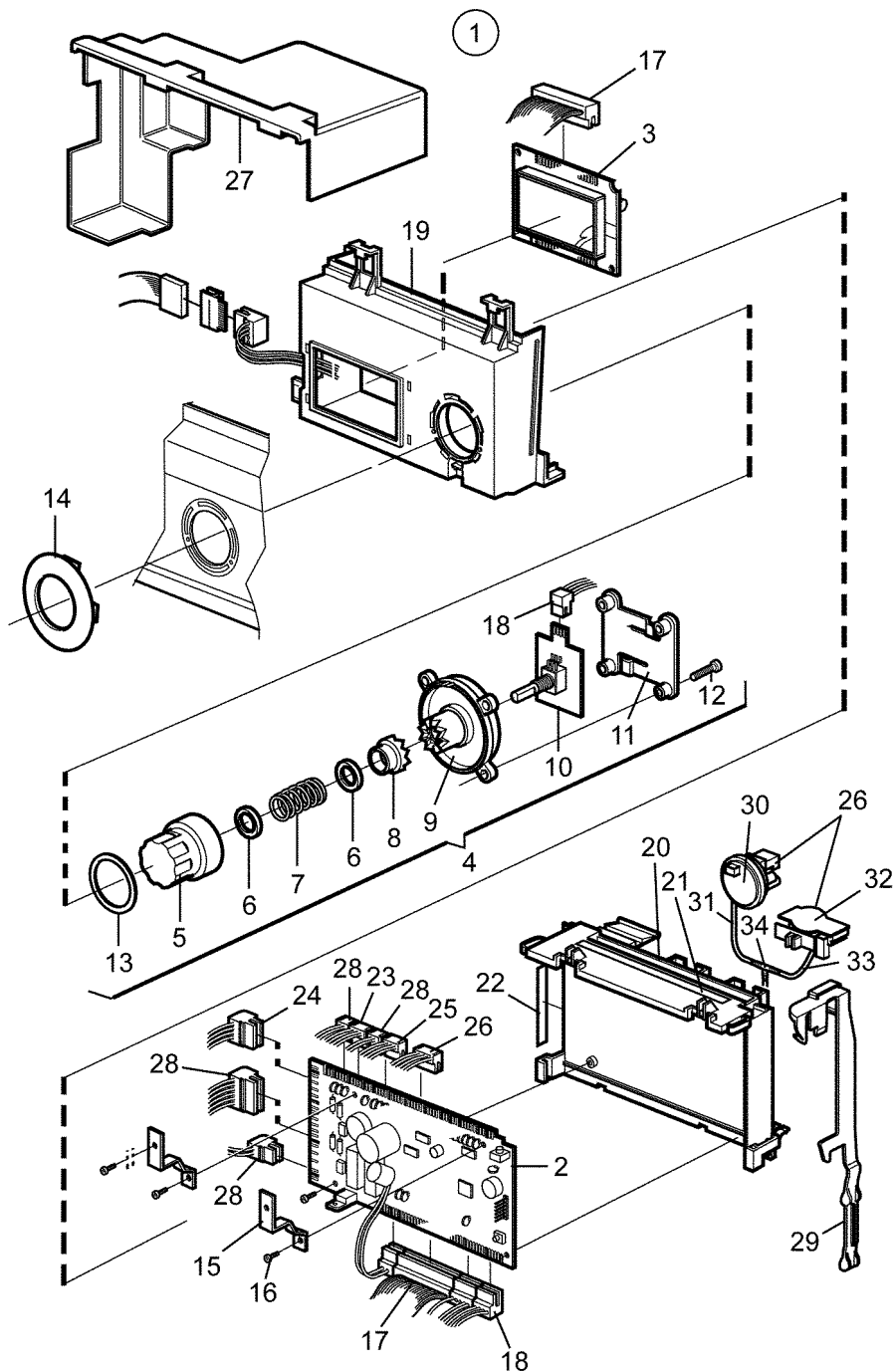
Illustration	Issue	Month	Year
Schéma	Issue	Month	Year
102378/1	6	8	2010

Item Article	Quantity Quantité						Art.No Réf. article	Description	Description	Info Info	Notes Remarques
	EX618co										
		EX625co									
			EX630co								
				EX640co							
					EX655co						
						EX670co					
1	1	1	1	1	1	1	432 2647-26	Instruction plate	Plaque instruction utilisation	3	USA, OPL
1	1	1	1	1	1	1	432 2647-31	Instruction plate	Plaque instruction utilisation	3	3M14 Swedish



W465H
 Product no.: 9867610073
 Serial no.: 00520 / 0126722
 PC: 0327664 13 9909 Writing olog: 43232004409
 Program: **418XXXXXX** 3403
 ELECTROLUX LAUNDRY SYSTEMS SWEDEN AB

Program: **418XXXXXX**
 W3 W055116



Issue	Month	Year
01	02	10

EX618co,EX625co,EX630co,EX640co,EX655co,EX670co

Programmer

Illustration Issue Month Year
Schéma Issue Month Year
102679 1 2 2010

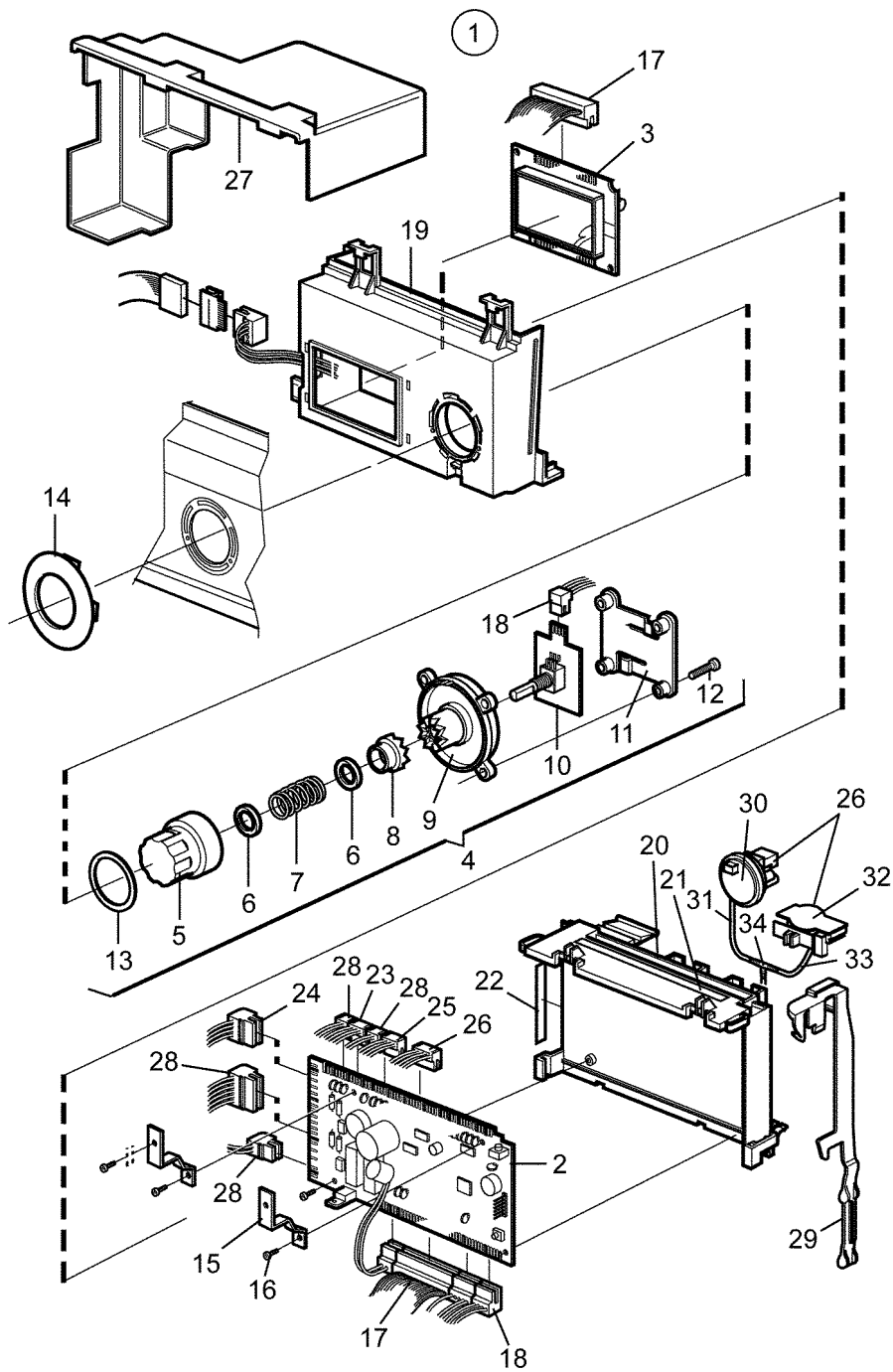
Minuterie

Item Article	Quantity Quantité							Art.No Réf. article	Description	Description	Info Info	Notes Remarques
	EX618co											
	EX625co											
	EX630co											
	EX640co											
	EX655co											
	EX670co											
1	1	1	1	1	1	1	1	432 6902-04	Programmer	Minuterie	1,2	Without software. Software available on website CPU
2	1	1	1	1	1	1	1		•Printed circuit board	•Carte circuit		
3	1	1	1	1	1	1	1	432 8702-03	•Display	•Affichage	1,2	
4	1	1	1	1	1	1	1	472 9904-97	•Program selector	•Commutateur rotatif	1,2	
5	1	1	1	1	1	1	1		••Knob	••Bouton de porte		
6	2	2	2	2	2	2	2		••Rubber cushion	••Coussinet de caoutchouc		
7	1	1	1	1	1	1	1		••Spring	••Ressort		
8	1	1	1	1	1	1	1		••Sleeve	••Manchon		
9	1	1	1	1	1	1	1		••Cover	••Couvercle		
10	1	1	1	1	1	1	1	438 9659-01	••Program selector	••Commutateur rotatif	1,2	
11	1	1	1	1	1	1	1		••Spring	••Ressort		
12	4	4	4	4	4	4	4	471 8346-09	••Screw	••Vis	3	T40x30
13	1	1	1	1	1	1	1		••Ring	••Anneau		
14	1	1	1	1	1	1	1	432 6344-02	•Cover	•Couvercle	3	
15	2	2	2	2	2	2	2	432 6327-01	•Bracket	•Pièce de retenue	3	
16	2	2	2	2	2	2	2	471 8346-02	•Screw	•Vis	3	
17	1	1	1	1	1	1	1	413 3280-01	•Cable set	•Jeu de câbles	3	20-pole
18	1	1	1	1	1	1	1	413 3274-20	•Cable set	•Jeu de câbles	3	4-pole
19	1	1	1	1	1	1	1	432 6325-01	•Cover	•Couvercle	3	Front
20	1	1	1	1	1	1	1	432 6324-01	•Cover	•Couvercle	3	Rear
21	1	1	1	1	1	1	1	471 4673-95	•Sign	•Échelle	3	
22	1	1	1	1	1	1	1	471 4673-97	Sign	Échelle	3	
23	1							413 3274-08	Cable set	Jeu de câbles	3	D-bus
		1						413 3274-18	Cable set	Jeu de câbles	3	D-bus
			1					413 3274-05	Cable set	Jeu de câbles	3	D-bus
				1				413 3274-06	Cable set	Jeu de câbles	3	D-bus
					1	1		413 3274-07	Cable set	Jeu de câbles	3	D-bus
24	1							413 3084-09	Cable set	Jeu de câbles	3	P-bus
		1	1					413 3084-16	Cable set	Jeu de câbles	3	P-bus
				1				413 3084-18	Cable set	Jeu de câbles	3	P-bus
					1	1		413 3084-19	Cable set	Jeu de câbles	3	P-bus
25	1							413 3274-11	Cable set	Jeu de câbles	3	M-COM
		1						413 3274-23	Cable set	Jeu de câbles	3	M-COM
			1					413 3274-13	Cable set	Jeu de câbles	3	M-COM
				1				413 3274-14	Cable set	Jeu de câbles	3	M-COM
					1	1		413 3274-15	Cable set	Jeu de câbles	3	M-COM
26	1	1	1	1	1	1	1	413 3275-02	Cable set	Jeu de câbles	3	Level control
27	1	1	1	1	1	1	1	432 6326-01	Cover	Couvercle	3	
28	1							432 2905-07	Cable set	Jeu de câbles	3	Door/Temp. /Tacho.
		1						432 2905-09	Cable set	Jeu de câbles	3	Door/Temp. /Tacho.
			1					432 2905-11	Cable set	Jeu de câbles	3	Door/Temp. /Tacho.
				1				432 2905-13	Cable set	Jeu de câbles	3	Door/Temp. /Tacho.
					1	1		432 2905-15	Cable set	Jeu de câbles	3	Door/Temp. /Tacho.
29	1	1	1	1	1	1	1	432 6345-01	Arm	Bras	3	



W465H
 Product no.: 9867610073
 Serial no.: 00520 / 0126722
 PC: 0327064 13 9909 Writing olog: 43232004409
 Program: **418XXXXXX** 3403
 ELECTROLUX LAUNDRY SYSTEMS SWEDEN AB

Program: **418XXXXXX**
 W3 W055116



Issue	Month	Year
01	02	10

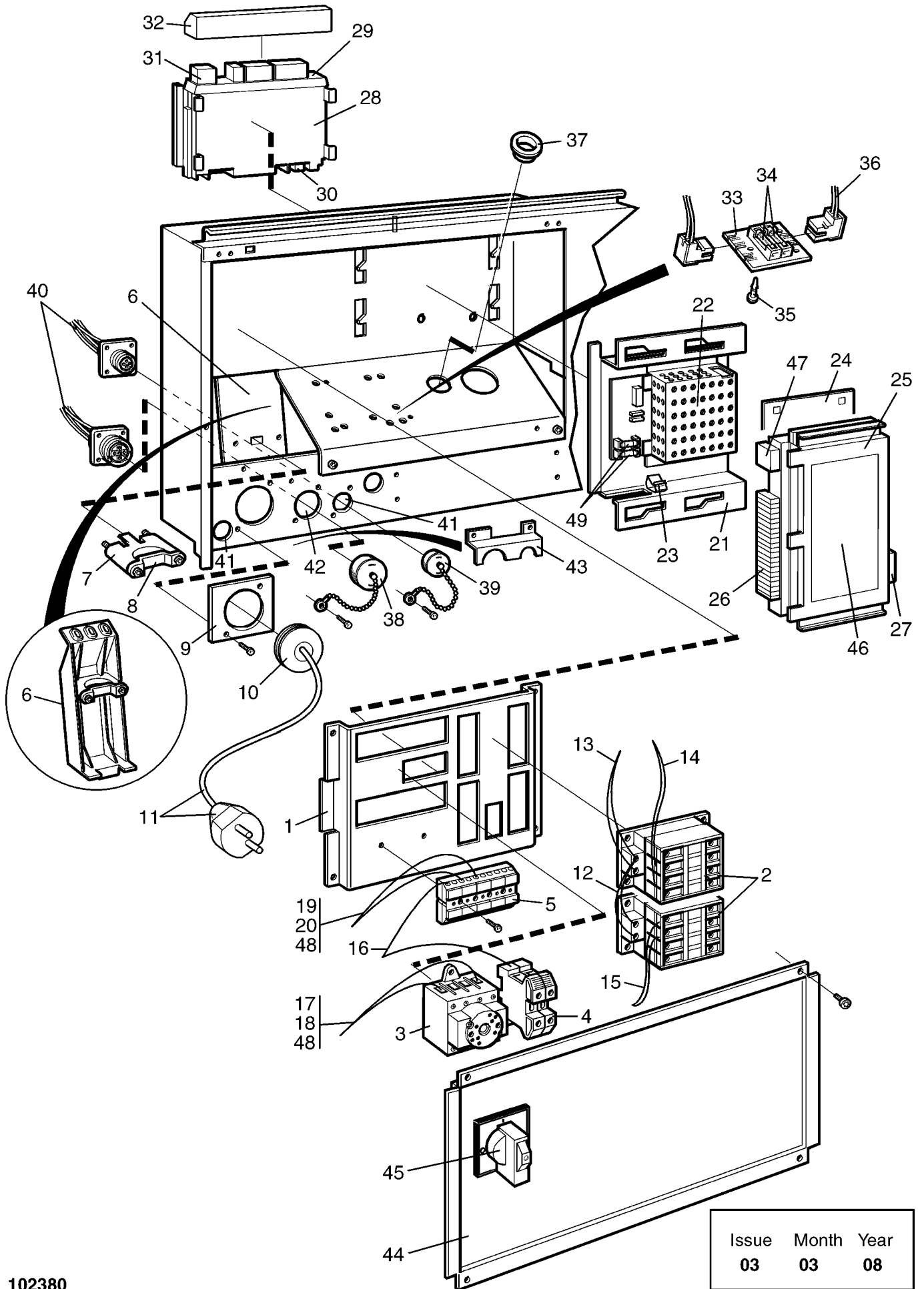
EX618co,EX625co,EX630co,EX640co,EX655co,EX670co

Programmer

Illustration Issue Month Year
Schéma Issue Month Year
102679 1 2 2010

Minuterie

Item Article	Quantity Quantité							Art.No Réf. article	Description	Description	Info Info	Notes Remarques
	EX618co											
	EX625co											
	EX630co											
	EX640co											
	EX655co											
	EX670co											
30	1	1	1	1	1	1	471 8861-01	Level guard	Limiteur de niveau	1,2		
31	1	1	1	1	1	1	471 2442-41	Hose	Flexible	1	L=70	
32	1	1	1	1	1	1	471 8863-01	Level guard	Limiteur de niveau	1,2		
33	1	1	1	1	1	1	438 2440-02	Hose	Flexible	1	L=100	
34	1	1	1	1	1	1	471 2265-69	T-pipe	Tube en T	3		



Issue	Month	Year
03	03	08

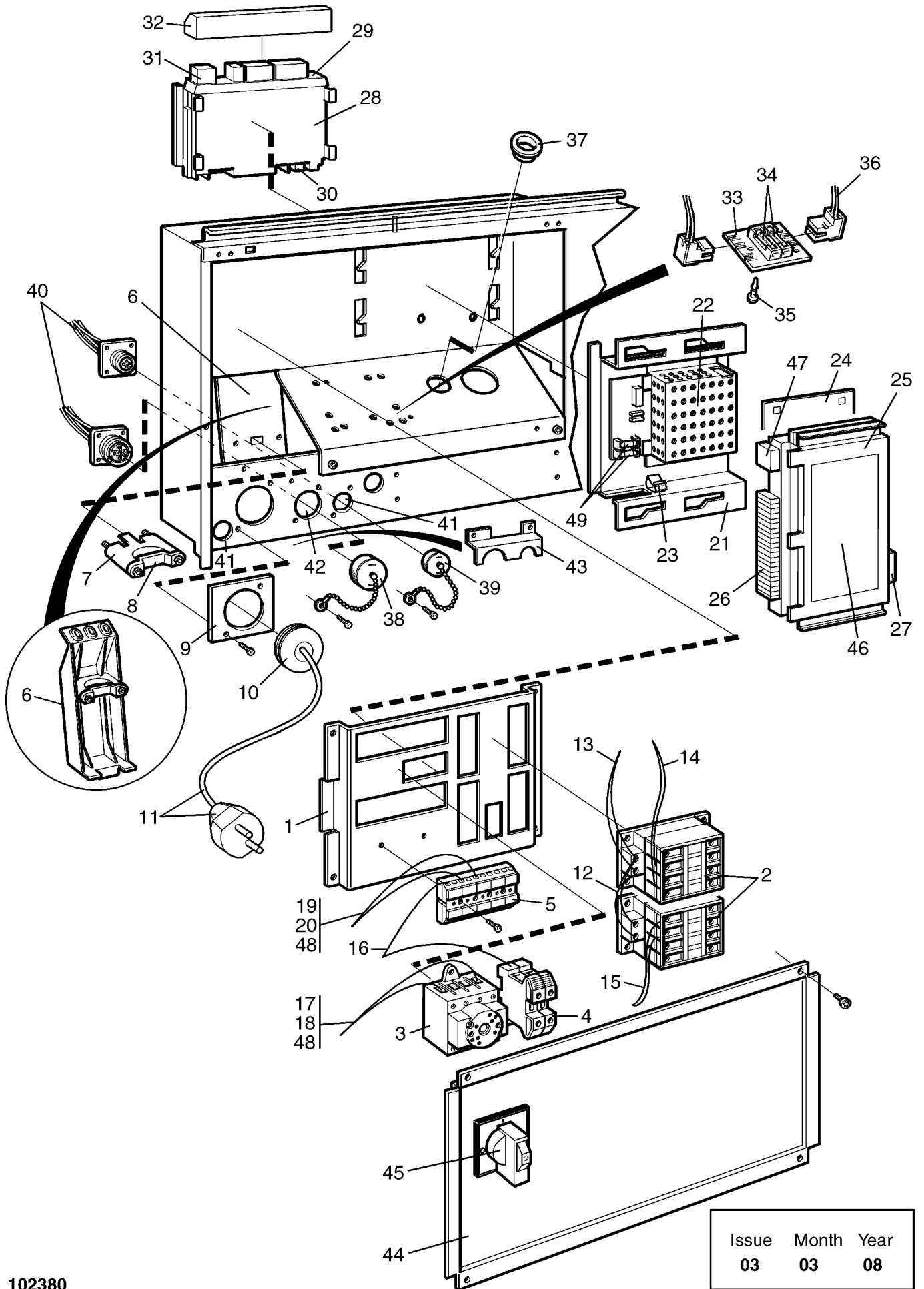
EX618co,EX625co,EX630co,EX640co,EX655co,EX670co

Electric components connection

Composants électriques raccordement électrique

Illustration Issue Month Year
Schéma Issue Month Year
102380/1 7 6 2009

Item Article	Quantity Quantité							Art.No Réf. article	Description	Description	Info Info	Notes Remarques
	EX618co											
	EX625co											
	EX630co											
	EX640co											
	EX655co											
	EX670co											
1	1	1	1	1	1	1	1	432 2154-01	Mounting plate	Plaque de montage	3	
2	1	Rq	Rq	Rq	Rq	Rq		438 9636-22	Contacteur	Relais	1,2	50Hz
	1	Rq	Rq	Rq	Rq	Rq		438 9636-23	Contacteur	Relais	1,2	60Hz
	1	Rq	Rq	Rq	Rq	Rq		438 9636-24	Contacteur	Relais	1,2	50/60Hz
					Rq	Rq		438 9636-92	Contacteur	Relais	1,2	50Hz
					Rq	Rq		438 9636-93	Contacteur	Relais	1,2	60Hz
					Rq	Rq		438 9636-94	Contacteur	Relais	1,2	50/60Hz
3	Rq	Rq	Rq	Rq	Rq	Rq		438 9678-01	Main switch	Main switch	1	3-pole, 30A
	Rq	Rq	Rq	Rq	Rq	Rq		438 9678-02	Main switch	Main switch	1	3-pole, 40A
	Rq	Rq	Rq	Rq	Rq	Rq		438 9678-03	Main switch	Main switch	1	3-pole, 50A
	Rq	Rq	Rq	Rq	Rq	Rq		438 9678-04	Main switch	Main switch	1	3-pole, 70A
	Rq	Rq	Rq	Rq	Rq	Rq		438 9678-11	Main switch	Main switch	1	4-pole, 30A
	Rq	Rq	Rq	Rq	Rq	Rq		438 9678-12	Main switch	Main switch	1	4-pole, 40A
	Rq	Rq	Rq	Rq	Rq	Rq		438 9678-13	Main switch	Main switch	1	4-pole, 50A
	Rq	Rq	Rq	Rq	Rq	Rq		438 9678-14	Main switch	Main switch	1	4-pole, 70A
4	2	2	2	2	2	2	2	471 8767-01	Block	Cale	3	SL10
	2	2	2	2	2	2	2	471 8767-02	Block	Cale	3	SL16
5	1	1	1	1	1	1	1	471 8783-01	Block	Cale	3	5-pole
	1	1	1	1	1	1	1	471 8783-03	Block	Cale	3	3-pole
	1	1	1	1	1	1	1	471 8783-04	Block	Cale	3	4-pole
6	1	1	1	1	1	1	1	432 2258-01	Plate	Plaque	3	
	1	1	1	1	1	1	1	432 2214-01	Cable clamp	Collier de câble	3	PLASTIC
7	1	1	1	1	1	1	1	471 7859-12	Clamp	Attache	3	Lower part
8	1	1	1	1	1	1	1	471 7859-16	Clamp	Attache	3	Upper part
9	1	1	1	1	1	1	1	432 2199-01	Plate	Plaque	3	Ø21
	1	1	1	1	1	1	1	432 2199-03	Plate	Plaque	3	Ø26
	1	1	1	1	1	1	1	432 2199-05	Plate	Plaque	3	Ø33
10	1	1	1	1	1	1	1	438 8720-01	Grommet	Oeillet	3	M25
	1	1	1	1	1	1	1	438 8720-02	Grommet	Oeillet	3	M32
	1	1	1	1	1	1	1	438 8720-03	Grommet	Passe-fil	3	M40
11	1	1	1	1	1	1	1	487 1702-45	Cable	Câble	3	
12												Not used
		1	1	1	1	1	1	432 2984-01	Cable set	Jeu de câbles	3	
13	1	1	1	1	1	1	1	413 3182-02	Cable set	Jeu de câbles	3	Heating
			1	1	1	1	1	413 5915-02	Cable set	Jeu de câbles	3	MOP Heating
14	3	3	3	3	3	3	3	432 2954-03	Cable set	Jeu de câbles	3	
15	-											Not used
		3	3	3	3	3	3	432 2954-13	Cable set	Jeu de câbles	3	
				6	6	6	6	432 2954-14	Cable set	Jeu de câbles	3	MOP
16	1	1						432 2983-03	Cable set	Jeu de câbles	3	
			1	1	1	1	1	432 2983-04	Cable set	Jeu de câbles	3	
17	1	1	1	1	1	1	1	432 3092-86	Cable set	Jeu de câbles	3	
18	1	1	1	1	1	1	1	432 3106-01	Cable set	Jeu de câbles	3	Trafo
19	1	1	1	1	1	1	1	413 3082-35	Cable set	Jeu de câbles	3	
20	1	1	1	1	1	1	1	413 2905-02	Cable set	Jeu de câbles	3	Trafo Trafo
21	1	1	1	1	1	1	1	432 2257-01	Mounting plate	Plaque de montage	3	
22	1	1	1	1	1	1	1	432 6805-06	Power supply	Alimentation principale	1,2	
23	1	1	1	1	1	1	1	432 6320-01	Clamp	Attache	3	
24	1	1	1	1	1	1	1	432 2256-01	Plate	Plaque	3	
25	1	1	1	1	1	1	1	432 6930-02	Printed circuit board	Carte circuit	1,2	I/O-card type 2
26	Rq	Rq	Rq	Rq	Rq	Rq	Rq	438 8701-01	Multistik	Multi-grippe	3	
	Rq	Rq	Rq	Rq	Rq	Rq	Rq	438 8701-03	Multistik	Multi-grippe	3	
27	1	1	1	1	1	1	1	413 3274-01	Cable set	Jeu de câbles	3	



Issue	Month	Year
03	03	08

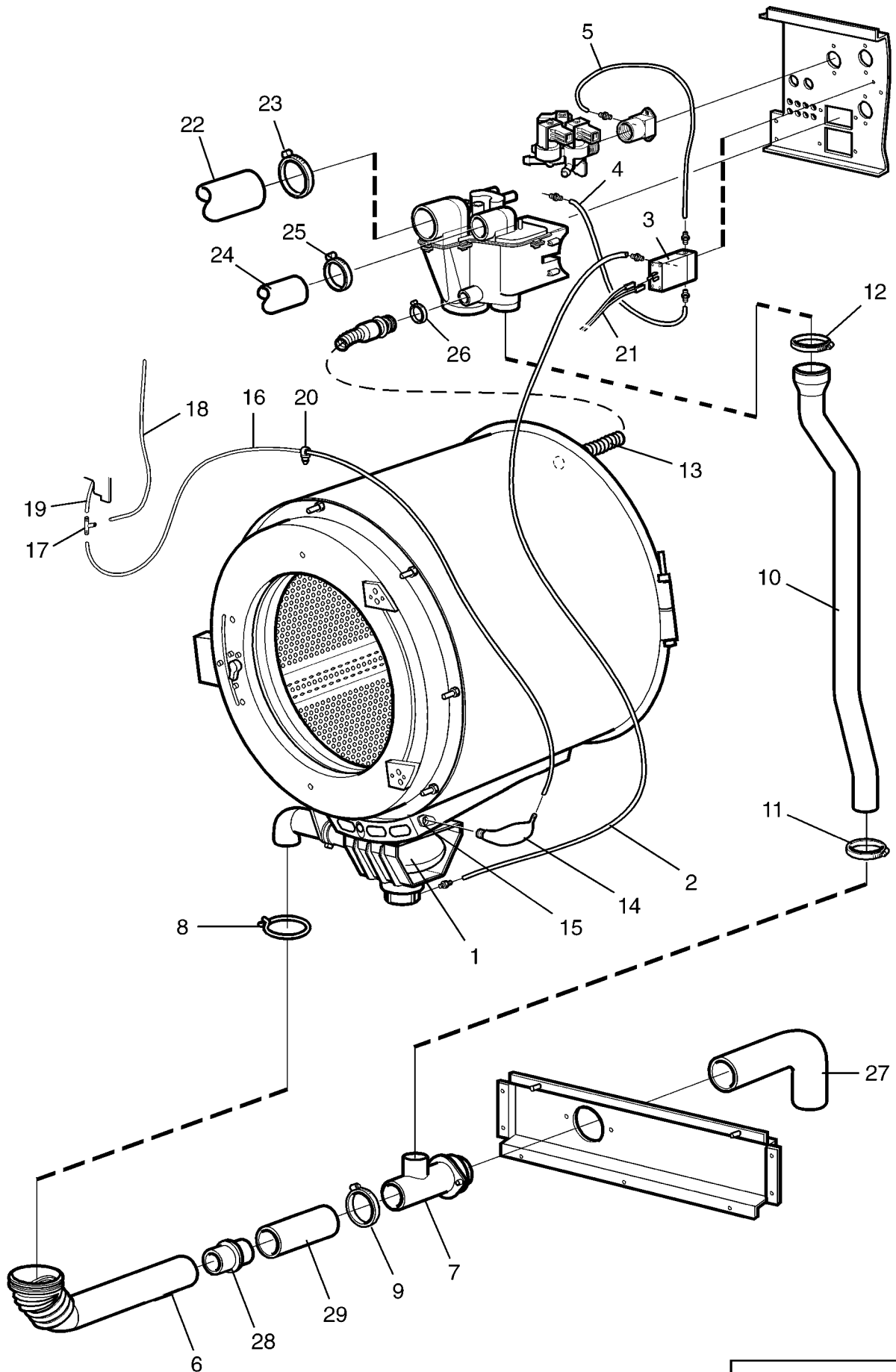
EX618co,EX625co,EX630co,EX640co,EX655co,EX670co

Electric components connection

Composants électriques raccordement électrique

Illustration Issue Month Year
Schéma Issue Month Year
102380/1 7 6 2009

Item Article	Quantity Quantité							Art.No Réf. article	Description	Description	Info Info	Notes Remarques
	EX618co											
	EX625co											
	EX630co											
	EX640co											
	EX655co											
	EX670co											
28	1	1	1	1	1	1	1	432 6903-02	Printed circuit board	Carte circuit	1,2	I/O-card
	1	1	1	1	1	1	1	432 6933-02	Printed circuit board	Carte circuit	1,2	I/O-card type 3
29									Sign	Échelle	3	
30	1	1	1	1	1	1	1	413 3274-03	Cable set	Jeu de câbles	3	4-pole
31	1	1	1	1	1	1	1	413 3084-25	Cable set	Jeu de câbles	3	4-pole
32	1	1	1	1	1	1	1	432 6323-01	Cover	Couvercle	3	
33	1	1	1	1	1	1	1	438 8797-02	Printed circuit board	Carte circuit	1,2	
34	2	2	2	2	2	2	2	471 8750-11	•Fuse	•Porte-fusible	1,2	1,25A
35	3	3	3	3	3	3	3	471 7960-02	Support	Support	3	
36	1	1	1	1	1	1	1	413 3082-05	Cable set	Jeu de câbles	3	
37	1	1	1	1	1	1	1	762 1182-10	Grommet	Oeillet	3	Ø22,2MM
38	1	1	1	1	1	1	1	438 7950-02	Cover washer	Rondelle protection	3	14-pole
39	1	1	1	1	1	1	1	438 7950-01	Cover washer	Rondelle protection	3	4-pole
40	1	1	1	1	1	1	1	413 2946-01	Cable set	Jeu de câbles	3	
41	2	2	2	2	2	2	2	471 7977-03	Cover plug	Couvre-bouchon	3	
42	1	1	1	1	1	1	1	471 7977-04	Cover plug	Couvre-bouchon	3	
43	1	1	1	1	1	1	1	432 1220-01	Cover	Couvercle	3	
44	1	1	1	1	1	1	1	432 3604-01	Cover	Couvercle	3	With hole
	1	1	1	1	1	1	1	432 3604-02	Cover	Couvercle	3	Without hole
45	1	1	1	1	1	1	1	471 9678-94	Knob	Bouton de porte	1	
46	1	1	1	1	1	1	1	471 4673-93	Sign	Échelle	3	I/O-card type 2
47	1	1	1	1	1	1	1	413 3084-02	Cable set	Jeu de câbles	3	4-pole P-bus
48	1	1						413 2918-02	Cable set	Jeu de câbles	3	2-pole Trafo and choke
			1					413 2918-04	Cable set	Jeu de câbles	3	2-pole Trafo and choke
				1	1	1		413 2918-06	Cable set	Jeu de câbles	3	4-pole Trafo and choke
49	2	2	2	2	2	2	2	471 8750-16	Fuse	Porte-fusible	1,2	3,15A



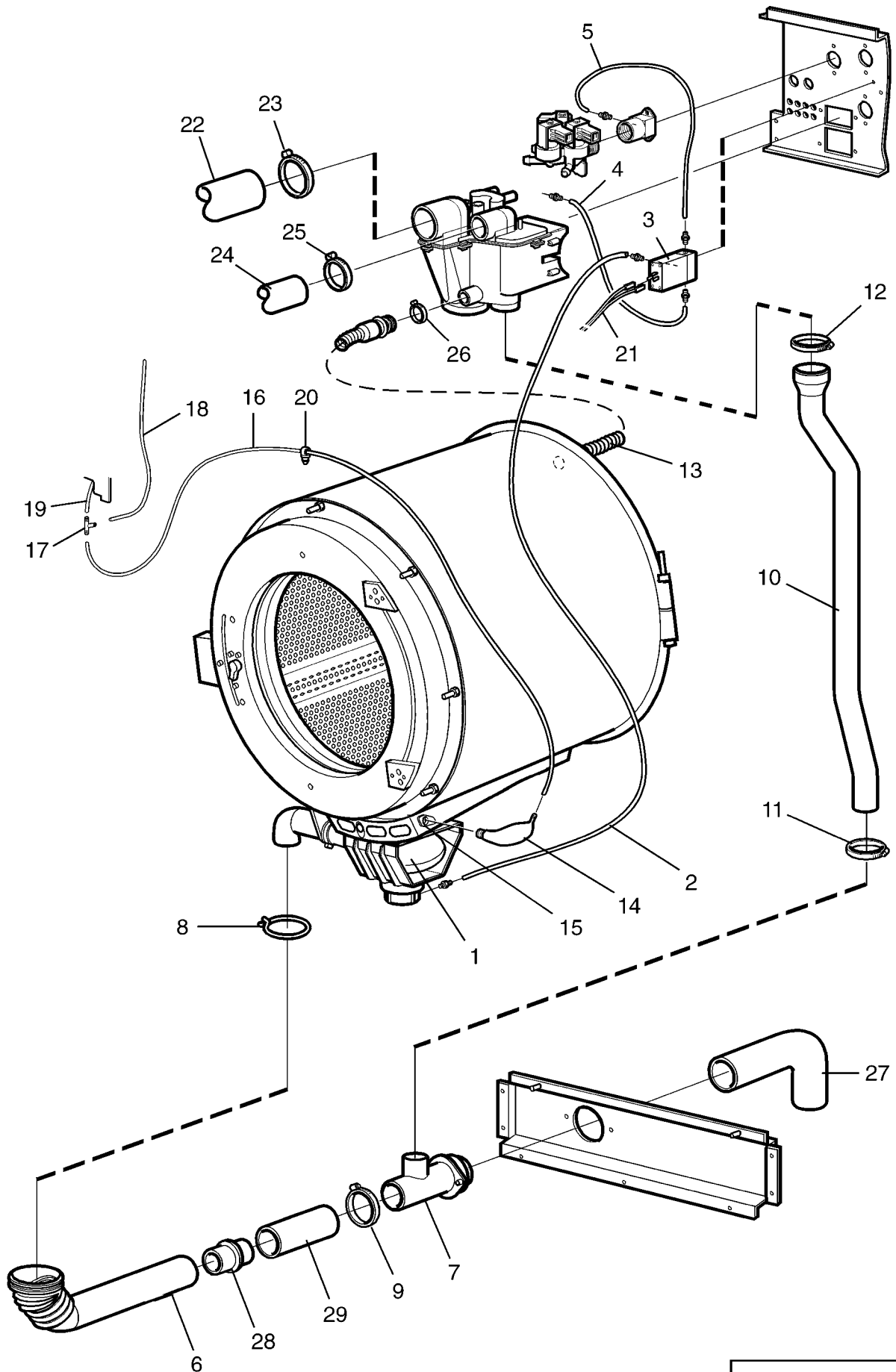
EX618co,EX625co,EX630co,EX640co,EX655co,EX670co

Drain valve and hoses

Purgeur et flexible

Illustration Issue Month Year
Schéma Issue Month Year
102485/1 6 10 2011

Item Article	Quantity Quantité							Art.No Réf. article	Description	Description	Info Info	Notes Remarques
	EX618co											
	EX625co											
	EX630co											
	EX640co											
	EX655co											
	EX670co											
1	1	1	1	1	1	1	1	432 2502-01	Drain valve	Vanne de vidange	1,2	
2	1	1	1					471 8139-11	Hose	Flexible	1	L=1900
				1	1	1		471 8139-16	Hose	Flexible	1	L=2250
3	1	1	1	1	1	1	1	471 8243-07	Solenoid valve	Electrovanne	1,2	230V 50Hz
	1	1	1	1	1	1	1	471 8243-08	Solenoid valve	Electrovanne	1,2	208-240V 60Hz
	1	1	1	1	1	1	1	471 8243-09	Solenoid valve	Electrovanne	1,2	120V 60Hz
	1	1	1	1	1	1	1	471 8243-10	Solenoid valve	Electrovanne	1,2	230V 50/60Hz Japan
4	1	1	1	1	1	1	1	438 8102-06	Hose	Flexible	1,2	L=330
5	1	1	1	1	1	1	1	471 8139-01	Hose	Flexible	1	L=330
6	1	1						432 2515-01	Hose	Flexible	1	
			1	1	1	1		432 2516-02	Hose	Flexible	1	
7	1							432 2510-01	Drain pipe connection	Raccord de vidange	3	-520/125650
	1							413 5004-01	Drain pipe connection	Raccord de vidange	3	520/125651-
		1						432 2510-01	Drain pipe connection	Raccord de vidange	3	-595/107230
		1						413 5004-01	Drain pipe connection	Raccord de vidange	3	595/107231-
			1	1	1	1		432 2511-01	Drain pipe connection	Raccord de vidange	3	
8	1	1	1	1	1	1	1	471 7871-07	Hose clamp	Attache flexible	3	
9	1	1						736 2837-51	Hose clamp	Attache flexible	3	Ø48-54
			1					736 2840-51	Hose clamp	Attache flexible	3	Ø50-63
				4	4	4		736 2846-51	Hose clamp	Attache flexible	3	Ø73-83
10	1							432 2520-01	Hose	Flexible	1	
		1						432 2520-02	Hose	Flexible	1	
			1	1	1	1		432 2521-03	Hose	Flexible	1	
11	1	1						736 2831-51	Hose clamp	Attache flexible	3	Ø36-42
			1	1	1	1		736 2837-51	Hose clamp	Attache flexible	3	Ø48-54
12	1	1	1	1	1	1	1	736 2837-51	Hose clamp	Attache flexible	3	Ø48-54
13	1	1						432 2508-01	Hose	Flexible	1	
			1	1	1	1		432 2508-02	Hose	Flexible	1	
14	1	1	1	1	1	1	1	432 2507-01	Air tube	Chambre de compression	1	
15	1	1	1	1	1	1	1	432 2506-01	Connection	Connexion	3	
16	1	1						438 8120-01	Hose	Flexible	1	L=940
			1	1	1	1		438 8120-02	Hose	Flexible	1	L=1325
17	1	1	1	1	1	1	1	471 2265-69	T-pipe	Tube en T	3	
18	1	1	1	1	1	1	1	471 2442-42	Hose	Flexible	1	L=120
19	1	1	1	1	1	1	1	471 2464-18	Hose	Flexible	3	L=280
20	3	3	3	3	3	3	3	471 7887-01	Clip	Colliers de serrage	3	
21	1	1	1					432 3182-41	Cable set	Jeu de câbles	3	
				1	1	1		432 3182-43	Cable set	Jeu de câbles	3	
22	1	1	1					471 8128-59	Hose	Flexible	3	
				1				471 8128-73	Hose	Flexible	3	
					1	1		471 8128-62	Hose	Flexible	3	
23	2	2	2	2	2	2	2	736 2840-51	Hose clamp	Attache flexible	3	Ø50-63
24	1							471 8124-03	Hose	Flexible	3	
		1	1					471 8124-02	Hose	Flexible	3	
				1				471 8124-04	Hose	Flexible	3	
					1	1		471 8124-05	Hose	Flexible	3	
25	2	2	2	2	2	2	2	736 2831-51	Hose clamp	Attache flexible	3	Ø36-42 Not used
26	1	1	1	1	1	1	1	736 2825-51	Hose clamp	Attache flexible	3	Ø32 Not used
27	1	1						438 5040-01	Drain hose	Flexible de vidange	1	Ø50
	1	1	1	1	1	1	1	471 4835-01	Drain hose	Flexible de vidange	1	Ø75
28				1	1			438 0083-01	Joint sleeve	Couvre-joint	3	



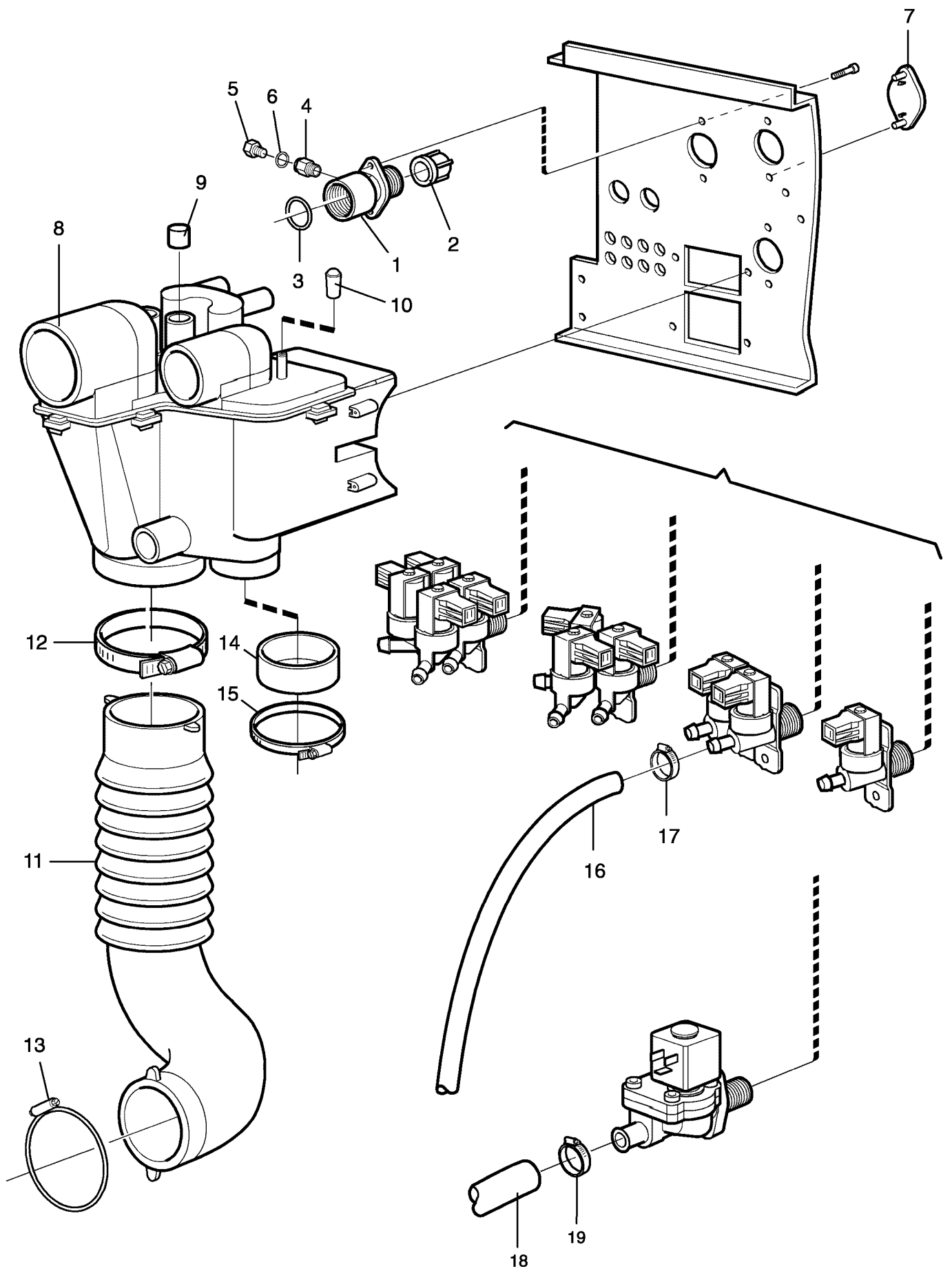
EX618co,EX625co,EX630co,EX640co,EX655co,EX670co

Drain valve and hoses

Purgeur et flexible

Illustration	Issue	Month	Year
Schéma	Issue	Month	Year
102485/1	6	10	2011

Item Article	Quantity Quantité	Art.No Réf. article	Description	Description	Info Info	Notes Remarques
29	EX618co				3	
	EX625co					
	EX630co					
	EX640co					
	EX655co	1				
	EX670co	1	471 8128-54	Hose		



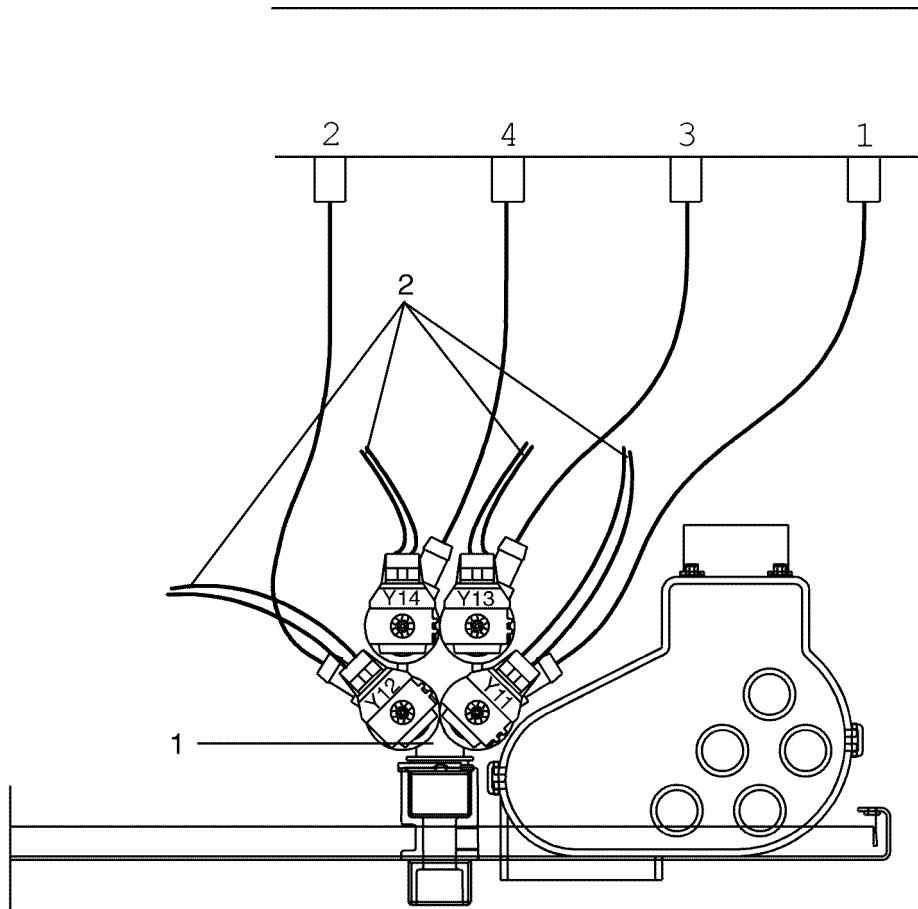
EX618co,EX625co,EX630co,EX640co,EX655co,EX670co

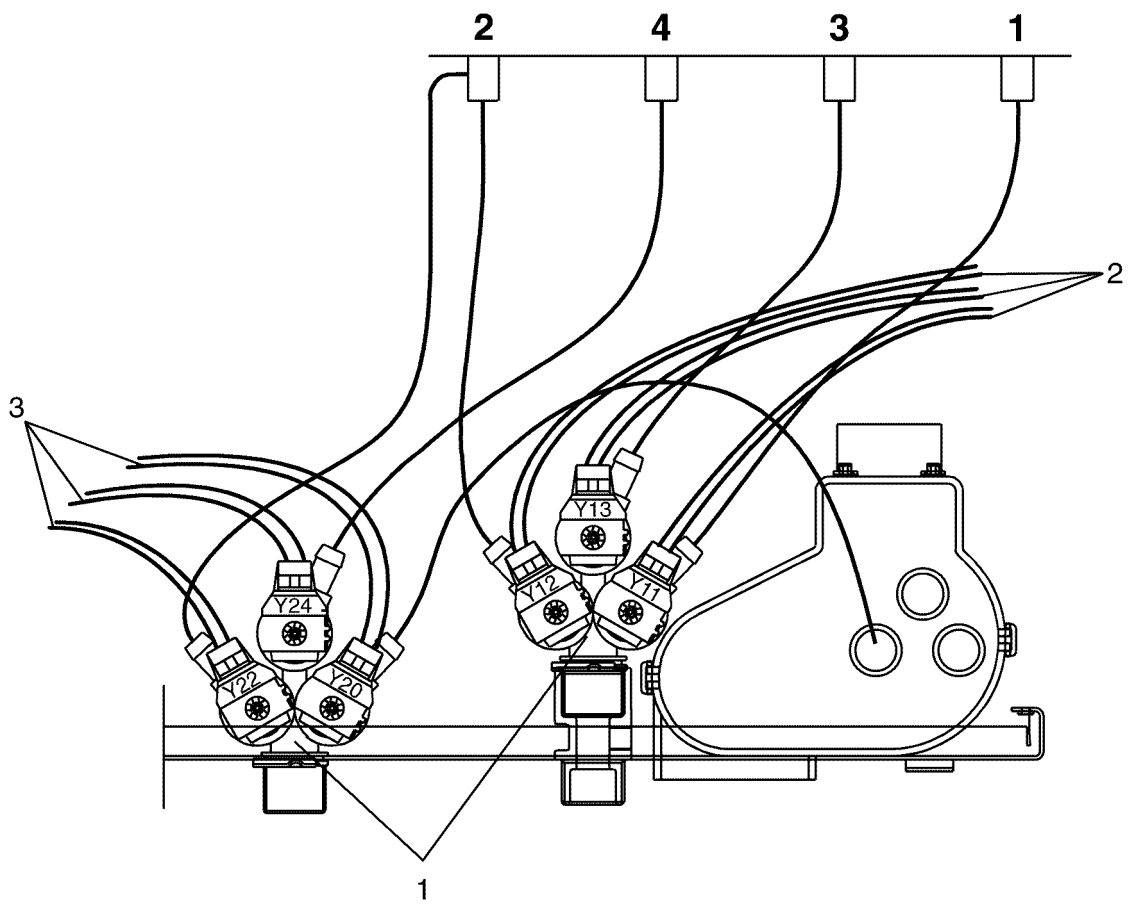
Water connections

Raccords d'eau

Illustration Issue Month Year
Schéma Issue Month Year
102316/1 2 10 2011

Item Article	Quantity Quantité	Art.No Réf. article	Description	Description	Info Info	Notes Remarques
			EX618co			
			EX625co			
			EX630co			
			EX640co,EX655co,EX670co			
1	1	438 0056-03	Nipple	Raccord	3	Black, 3/4"
	1	438 0056-04	Nipple	Raccord	3	White, 3/4", USA
2	1	471 8693-21	Filter	Filtre	3	
3	1	471 8199-01	Gasket	Joint	3	
4	1	471 8688-13	Nipple	Raccord	3	1/8"
5	1	741 5109-25	Plug	Fiche	3	El-drain
6	1	740 4206-00	O-ring	Joint torique	3	El-drain
7	Rq	472 6761-01	Cover washer	Rondelle protection	3	
8	1	432 2301-01	Siphon breaker	Rupteur de siphon	3	
9	Rq	471 8175-01	Plug	Fiche	3	
10	1	471 8644-02	Plug	Fiche	3	
* 11	1	432 2305-01	Hose	Flexible	1	-520/999999, -522/419938
*	1	432 2312-01	Hose	Flexible	1	522/419939-
*	1	432 2305-01	Hose	Flexible	1	
	1	432 2306-01	Hose	Flexible	1	
12	1	736 2846-51	Hose clamp	Attache flexible	3	Ø73-83
13	1	471 7871-08	Hose clamp	Attache flexible	3	
	1	471 7871-04	Hose clamp	Attache flexible	3	
14	1	471 2409-89	Hood	Capot	3	Pump
15	1	736 2837-51	Hose clamp	Attache flexible	3	Not used Ø48-54 Pump
16	Rq	877 5211-08	Hose	Flexible	1	Not used Per 1 m
17	Rq	736 2816-51	Hose clamp	Attache flexible	3	Ø13-19
18	-					Not used
19	-	432 2308-01	Hose	Flexible	1	
	1	736 2825-51	Hose clamp	Attache flexible	3	Not used Ø32





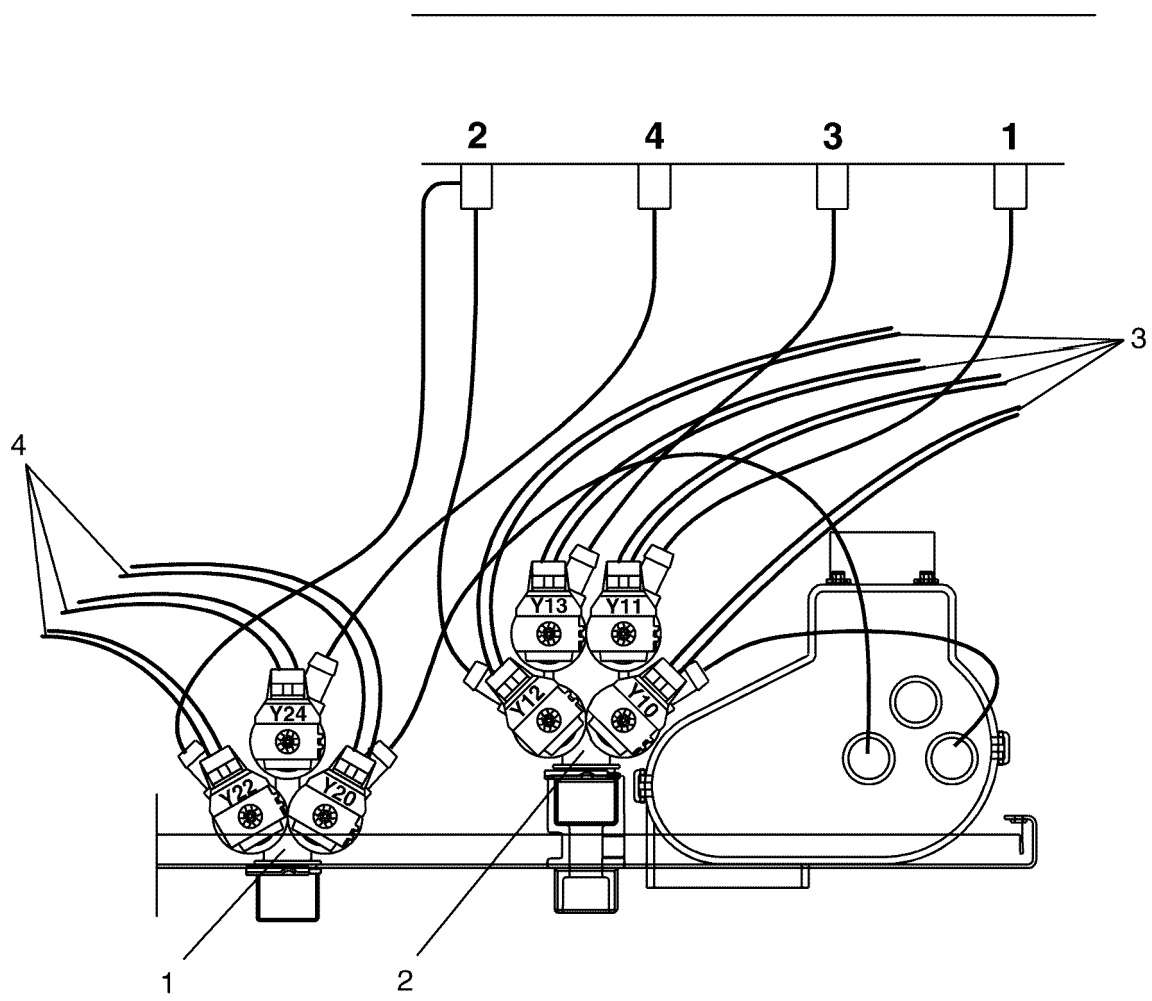
EX618co,EX625co,EX630co

Inlet valves and cable set

Illustration Issue Month Year
Schéma Issue Month Year
102482/1 2 11 2009

Inlet valves and cable set

Item Article	Quantity Quantité	Art.No Réf. article	Description	Description	Info Info	Notes Remarques
1	EX618co					
	EX625co					
	EX630co					
	2	471 8236-76	Valve	Electrovanne	1,2	3-way, 208-240V 50/60Hz, BSP
	2	471 8236-78	Valve	Electrovanne	1,2	3-way, 208-240V 50/60Hz, NH USA US
	2	471 8236-79	Valve	Electrovanne	1,2	3-way, 120V 60Hz, NH USA US
2	1	413 3086-07	Cable set	Jeu de câbles	3	Cold
	1	413 3086-07	Cable set	Jeu de câbles	3	Cold
3	1	413 3086-08	Cable set	Jeu de câbles	3	Hot
	1	413 3086-08	Cable set	Jeu de câbles	3	Hot



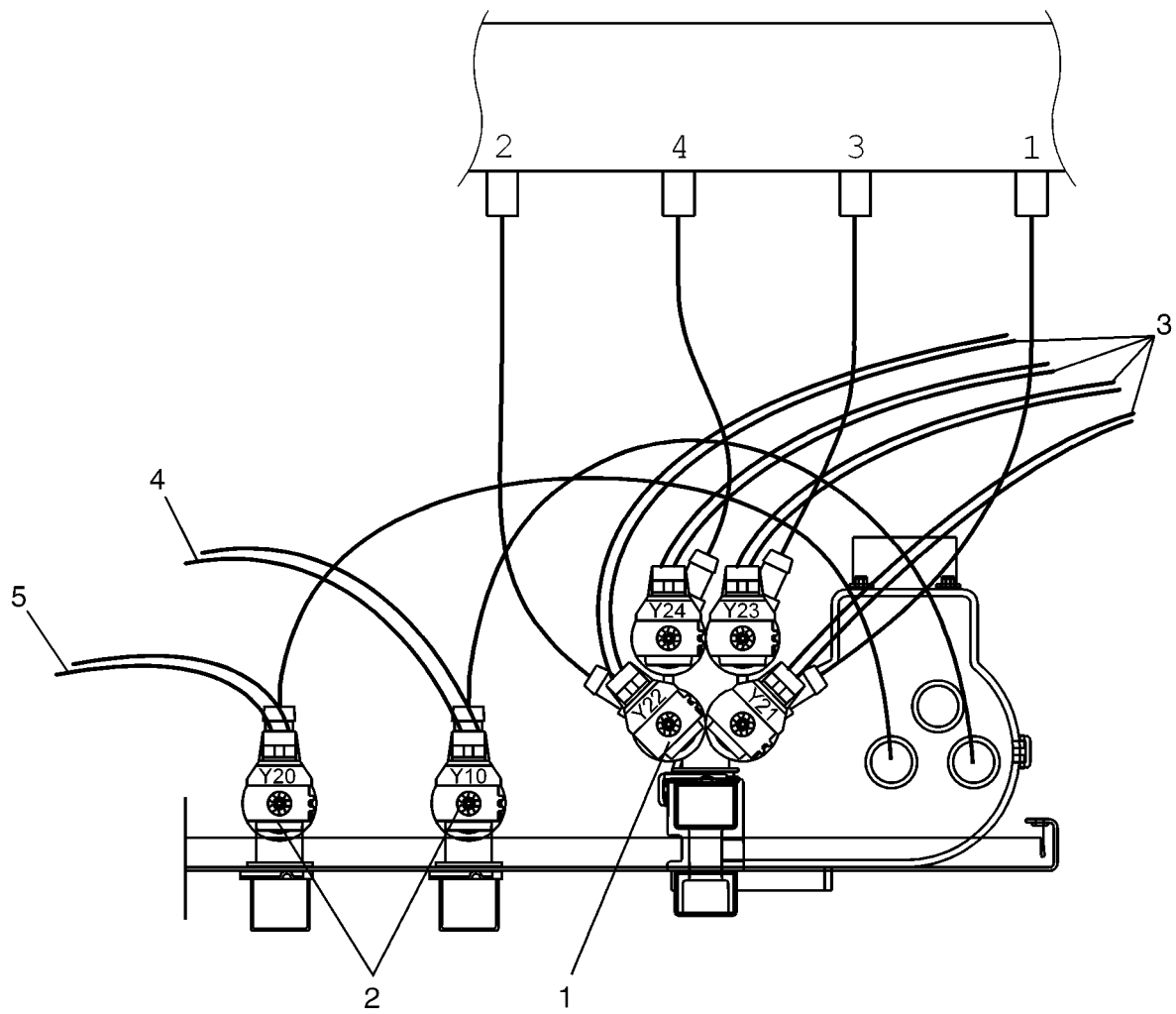
EX618co,EX625co,EX630co,EX640co

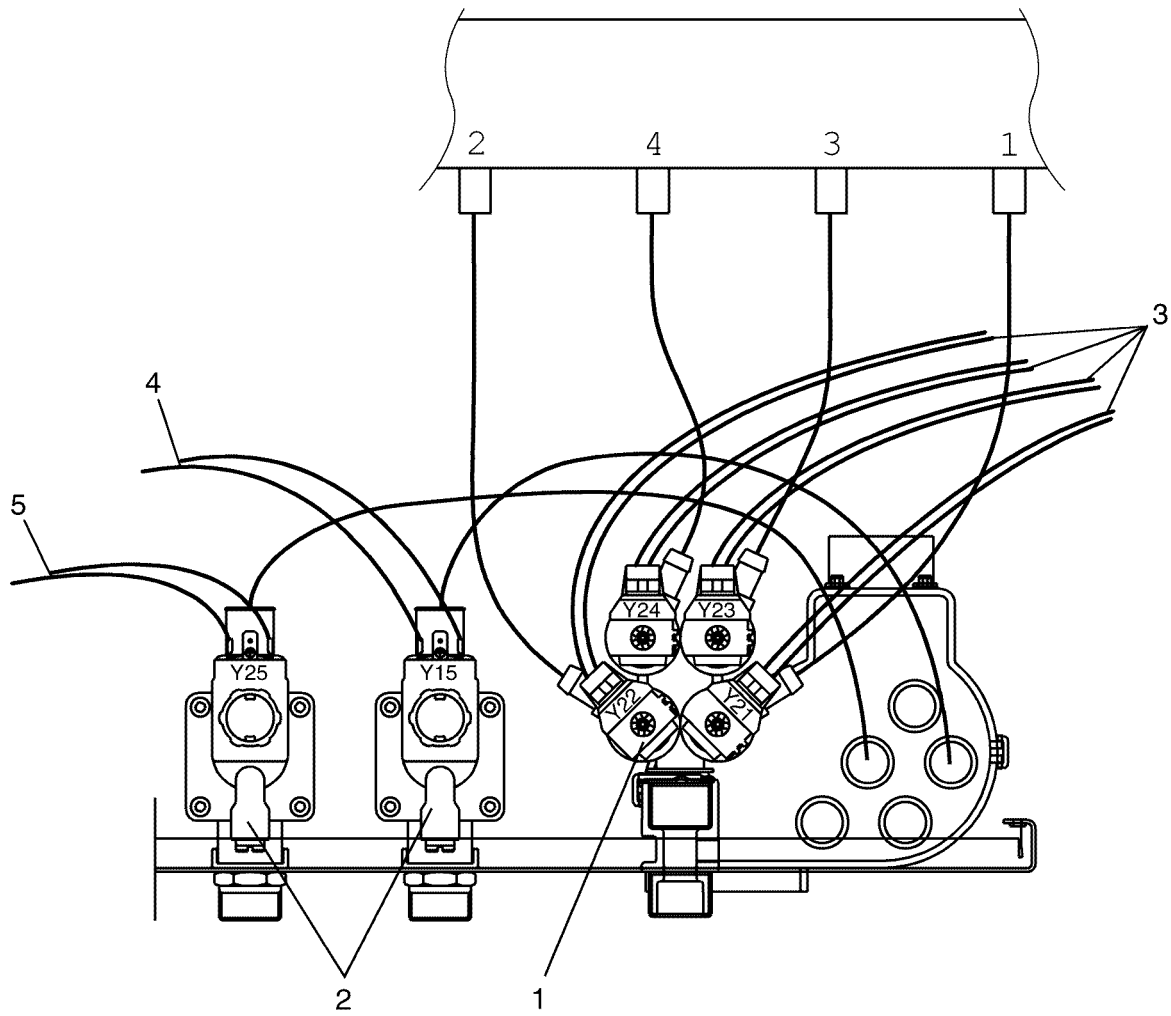
Inlet valves and cable set

Illustration Issue Month Year
Schéma Issue Month Year
102483/1 2 11 2009

Inlet valves and cable set

Item Article	Quantity Quantité	Art.No Réf. article	Description	Description	Info Info	Notes Remarques		
1	EX618co							
	1	EX625co						
		1	EX630co					
			1	EX640co				
		1		471 8236-76	Valve	Electrovanne	1,2	3-way, 208-240V 50/60Hz, BSP
	1	471 8236-78	Valve	Electrovanne	1,2	3-way, 208-240V 50/60Hz, NH USA US		
	1	471 8236-79	Valve	Electrovanne	1,2	3-way, 120V 60Hz, NH USA US		
	2	1	471 8240-64	Valve	Electrovanne	1,2	4-way, 208-240V 50/60Hz, BSP	
		1	471 8240-67	Valve	Electrovanne	1,2	4-way, 120V 60Hz, NH USA	
		1	471 8240-68	Valve	Electrovanne	1,2	4-way, 208-240V 50/60Hz, NH USA US	
	3	1	413 3088-07	Cable set	Jeu de câbles	3	Cold	
		1	413 3088-07	Cable set	Jeu de câbles	3		
1		413 3088-10	Cable set	Jeu de câbles	3			
4	1	413 3086-08	Cable set	Jeu de câbles	3	Hot		
	1	413 3086-08	Cable set	Jeu de câbles	3			
	1	413 3086-10	Cable set	Jeu de câbles	3			





Issue	Month	Year
01	12	06

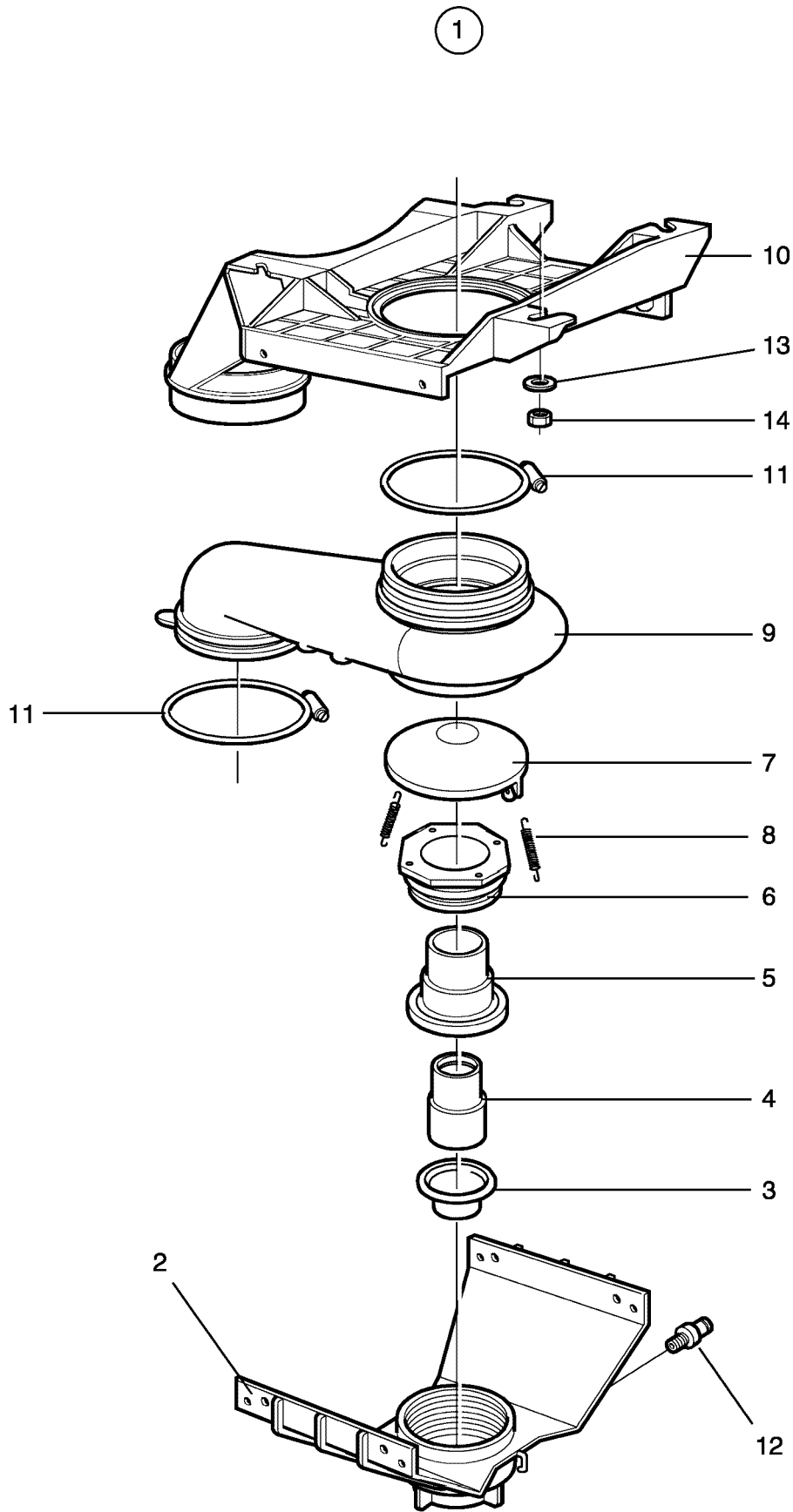
EX630co,EX640co,EX655co,EX670co

Inlet valves and cable set

Illustration Issue Month Year
Schéma Issue Month Year
102385/1 3 11 2009

Inlet valves and cable set

Item Article	Quantity Quantité	Art.No Réf. article	Description	Description	Info Info	Notes Remarques
1	1	471 8240-63	Valve	Electrovanne	1,2	4-way, 208-240V 50/60Hz, BSP
	1	471 8240-69	Valve	Electrovanne	1,2	4-way, 208-240V 50/60Hz, NH USA USA
2	3	471 8210-70	Valve	Electrovanne	1	208-240V 50/60Hz, BSP
	1	471 8210-79	•Coil	•Bobine	1,2	50/60 Hz
3	3	471 8210-71	Valve	Electrovanne	1	208-240V 60Hz, NH USA USA
	1	471 8210-78	•Coil	•Bobine	1,2	60Hz
4	1	413 3088-08	Cable set	Jeu de câbles	3	
	1	413 3088-10	Cable set	Jeu de câbles	3	
5	1	413 3182-09	Cable set	Jeu de câbles	3	
	1	413 3182-15	Cable set	Jeu de câbles	3	
6	1	413 3182-10	Cable set	Jeu de câbles	3	
	1	413 3182-16	Cable set	Jeu de câbles	3	
	1	413 3182-16	Cable set	Jeu de câbles	3	
	1	413 3182-11	Cable set	Jeu de câbles	3	
	1	413 3182-14	Cable set	Jeu de câbles	3	
	1	413 3182-17	Cable set	Jeu de câbles	3	



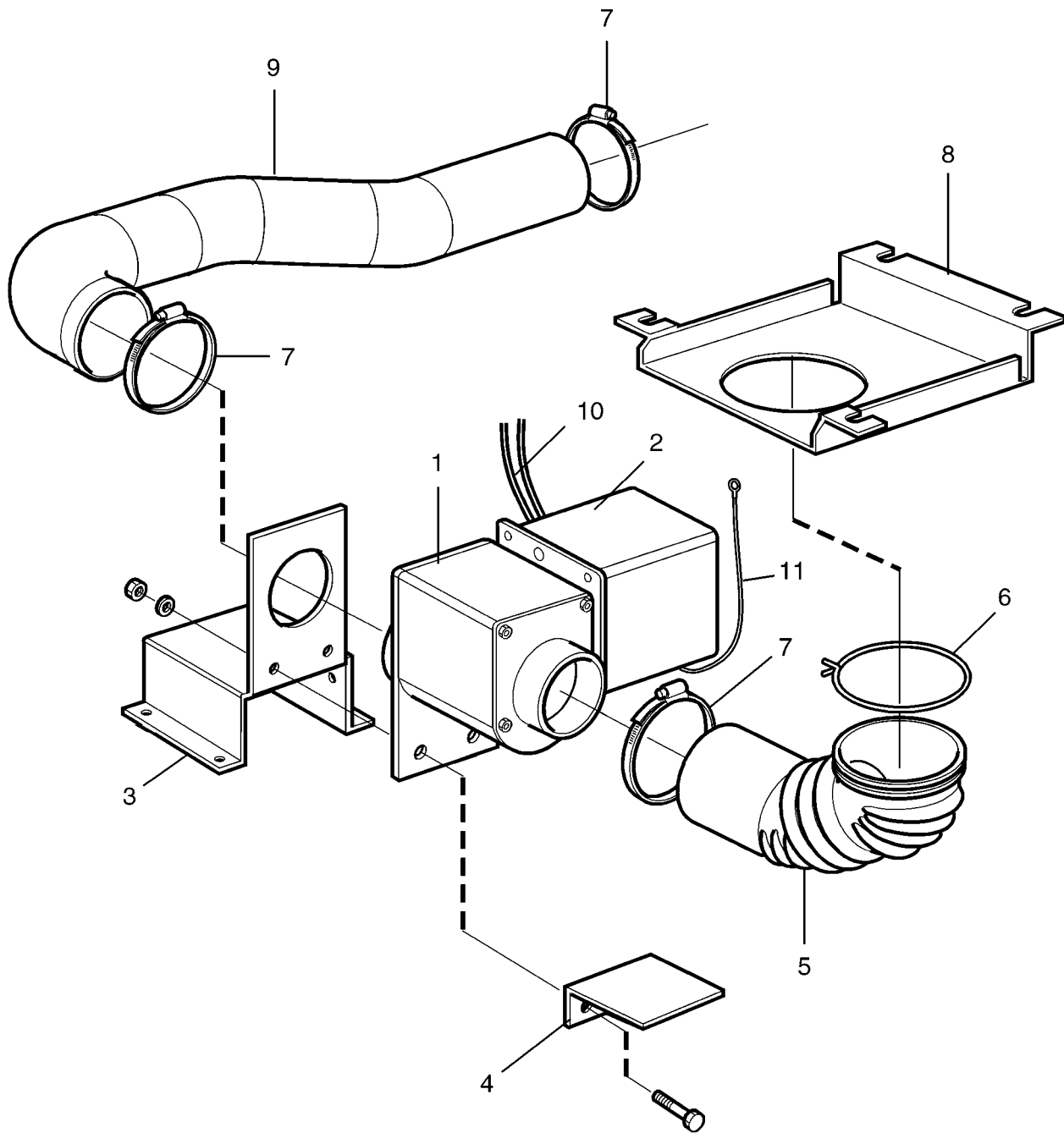
EX618co,EX625co,EX630co,EX640co,EX655co,EX670co

Drain valve

Illustration Issue Month Year
Schéma Issue Month Year
102343/1 2 11 2008

Vanne de vidange

Item Article	Qua. Qua.	Art.No Réf. article	Description	Description	Info Info	Notes Remarques
1	1	432 2502-01	Drain valve	Vanne de vidange	1,2	
2	1	438 0051-01	•Lower frame	•Châssis inférieur	3	
3	1	471 8195-01	•Diaphragm	•Diaphragme	1,2	
4	1	438 0054-01	•Piston	•Piston	3	
5	1	438 0053-01	•Housing	•Logement	3	
6	1	438 0055-01	•Gland	•Presse-étoupe	3	
7	1	438 0052-01	•Cover	•Couvercle	3	
8	2	471 7818-01	•Spring	•Ressort	1	
9	1	432 2505-01	•Hose housing	•Membrane de vidange	1,2	
10	1	432 2501-01	•Upper frame	•Partie supérieure	3	
11	2	471 7871-04	•Hose clamp	•Attache flexible	3	
12	1	471 8688-13	•Nipple	•Raccord	1	1/8"
13	4	734 1153-09	Washer	Rondelle	3	BRB 6,4X12
14	4	732 2116-42	Locking nut	Contre-écrou	3	M6



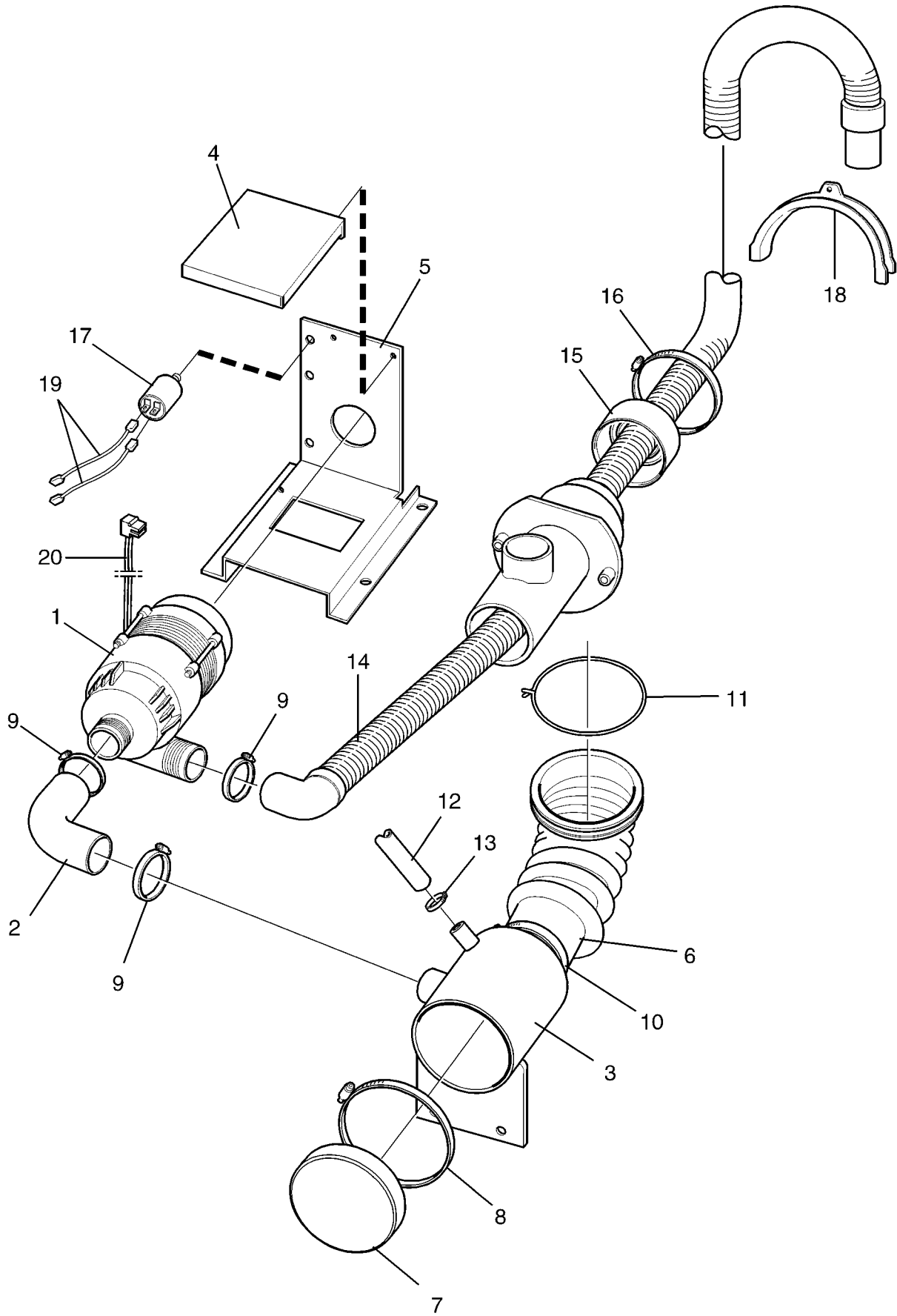
EX618co,EX625co,EX630co,EX640co,EX655co,EX670co

Drain valve, electrical

Illustration Issue Month Year
Schéma Issue Month Year
102492/1 1 1 2007

Drain valve, electrical

Item Article	Quantity Quantité		Art.No Réf. article	Description	Description	Info Info	Notes Remarques
	EX618co						
	EX625co						
	EX630co						
	EX640co						
	EX655co						
	EX670co						
1	1	1	471 9219-65	Drain valve	Vanne de vidange	1,2	50/60Hz
		1	471 8215-01	Drain valve	Vanne de vidange	1,2	50/60Hz
		1	471 8215-03	Drain valve	Vanne de vidange	1,2	50/60Hz
							Normally closed
2	1	1	432 2548-01	Cover	Couvercle	3	
3	1	1	432 2530-02	Mounting plate	Plaque de montage	3	
		1	432 2531-01	Mounting plate	Plaque de montage	3	
4	1	1	432 2536-01	Support	Support	3	
		1	432 2537-01	Support	Support	3	
5	1		432 2524-01	Hose	Flexible	1	
		1	432 2524-02	Hose	Flexible	1	
		1	432 2516-04	Hose	Flexible	1	
		1	432 2516-05	Hose	Flexible	1	
6	1	1	471 7871-07	Hose clamp	Attache flexible	3	
7	3	3	736 2837-51	Hose clamp	Attache flexible	3	Ø48-54
		3	736 2846-51	Hose clamp	Attache flexible	3	Ø73-83
8	1	1	432 2534-01	Mounting plate	Plaque de montage	3	
9	1	1	432 2517-01	Hose	Flexible	1	
		1	432 2518-01	Hose	Flexible	1	
		1	432 2518-03	Hose	Flexible	1	
		1	432 2518-04	Hose	Flexible	1	
10	1		413 2902-02	Cable set	Jeu de câbles	3	
		1	413 2902-04	Cable set	Jeu de câbles	3	
		1	413 2902-06	Cable set	Jeu de câbles	3	
		1	413 2902-08	Cable set	Jeu de câbles	3	
		1	413 2902-10	Cable set	Jeu de câbles	3	NO
		1	413 2902-12	Cable set	Jeu de câbles	3	NC
11	1	1	432 2982-10	Ground cable	Câble mise terre	3	



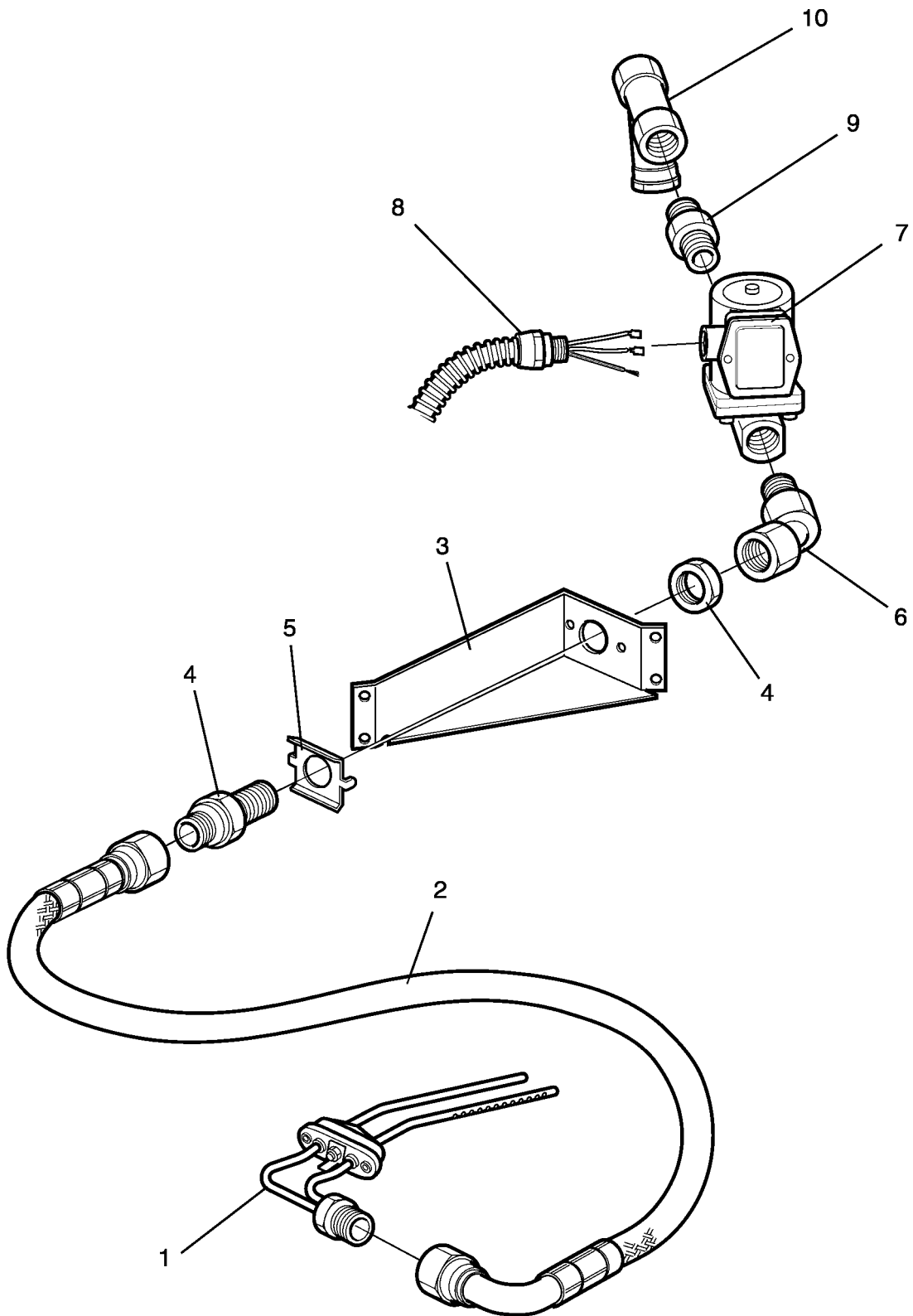
EX618co,EX625co

Drain pump

Pompe de vidange

Illustration Issue Month Year
Schéma Issue Month Year
102493/1 4 9 2011

Item Article	Quantity Quantité	Art.No Réf. article	Description	Description	Info Info	Notes Remarques
			EX618co			
			EX625co			
1	1	1	438 8270-01	Drain pump	Pompe d'écoulement	1,2 230V 50Hz Complete
	1	1	438 8270-02	Drain pump	Pompe d'écoulement	1,2 230V 60Hz Complete
2	1	1	471 4391-02	Hose	Flexible	1,2
3	1	1	432 2533-01	Container	Conteneur	3
4	1	1	432 2538-01	Cover	Couvercle	3
5	1	1	432 2532-01	Mounting plate	Plaque de montage	3
6	1		432 2524-01	Hose	Flexible	1
		1	432 2524-02	Hose	Flexible	1
7	1	1	472 6760-01	Hood	Capot	3
8	1	1	736 2849-51	Hose clamp	Attache flexible	3 Ø77-93
9	3	3	736 2825-51	Hose clamp	Attache flexible	3 Ø32
10	1	1	736 2837-51	Hose clamp	Attache flexible	3 Ø48-54
11	1	1	471 7871-07	Hose clamp	Attache flexible	3
12	1	1	471 8116-03	Hose	Flexible	1 L=1450
13	1	1	736 2816-51	Hose clamp	Attache flexible	3 Ø13-19
14	1	1	471 6858-82	Drain hose	Flexible de vidange	1
15	1	1	438 5022-01	Discharge	Collier de serrage	3
16	1	1	736 2840-51	Hose clamp	Attache flexible	3 Ø50-63
17	1	1	438 9515-01	Capacitor	Condensateur	1 4µF
18	1	1	471 6858-83	Bracket	Pièce de retenue	3
19	2	2	432 2954-26	Cable set	Jeu de câbles	3
20	1		413 2903-02	Cable set	Jeu de câbles	3
		1	413 2903-04	Cable set	Jeu de câbles	3



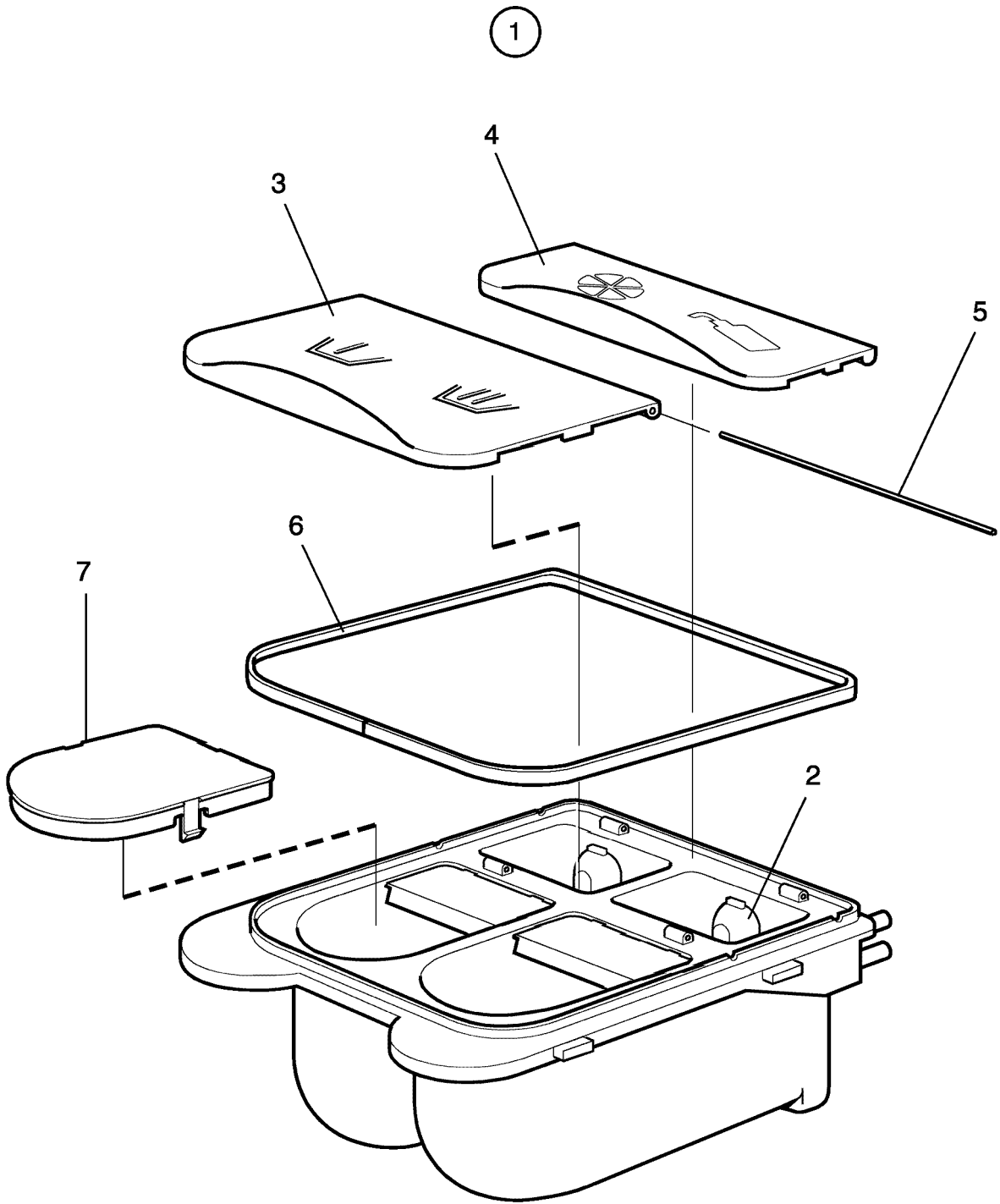
EX618co,EX625co,EX630co,EX640co,EX655co,EX670co

Steam components

Illustration Issue Month Year
Schéma Issue Month Year
102501/1 2 5 2011

Composants

Item Article	Quantity Quantité		Art.No Réf. article	Description	Description	Info Info	Notes Remarques
	EX618co						
	EX625co						
	EX630co						
	EX640co						
	EX655co						
	EX670co						
1	1	1	432 1630-01	Steam injector	Injecteur de vapeur	3	
		1	432 1631-01	Steam injector	Injecteur de vapeur	3	
2	1		471 8126-25	Steam hose	Tuyau flexible de vapeur	1	
		1	471 8126-26	Steam hose	Tuyau flexible de vapeur	1	
		1	471 8126-27	Steam hose	Tuyau flexible de vapeur	1	
		1	471 8126-28	Steam hose	Tuyau flexible de vapeur	1	
		1	471 8126-29	Steam hose	Tuyau flexible de vapeur	1	
3	1	1	432 1673-01	Bracket	Pupitre	3	
4	1	1	471 8695-01	Nipple	Raccord	3	
5	1	1	471 2937-01	Bracket	Support	3	
6	1	1	471 8697-01	Adapter	Adaptateur	3	
7	1	1	471 8279-03	Valve	Electrovanne	1,2	50/60 Hz
	1	1	471 8279-08	•Repair kit	•Kit de réparation	1,2	
8	1	1	432 3058-03	Cable set	Jeu de câbles	3	
9	1	1	471 8624-01	Nipple	Raccord	3	
10	1	1	744 3113-06	Filter	Filtre	3	1/2"



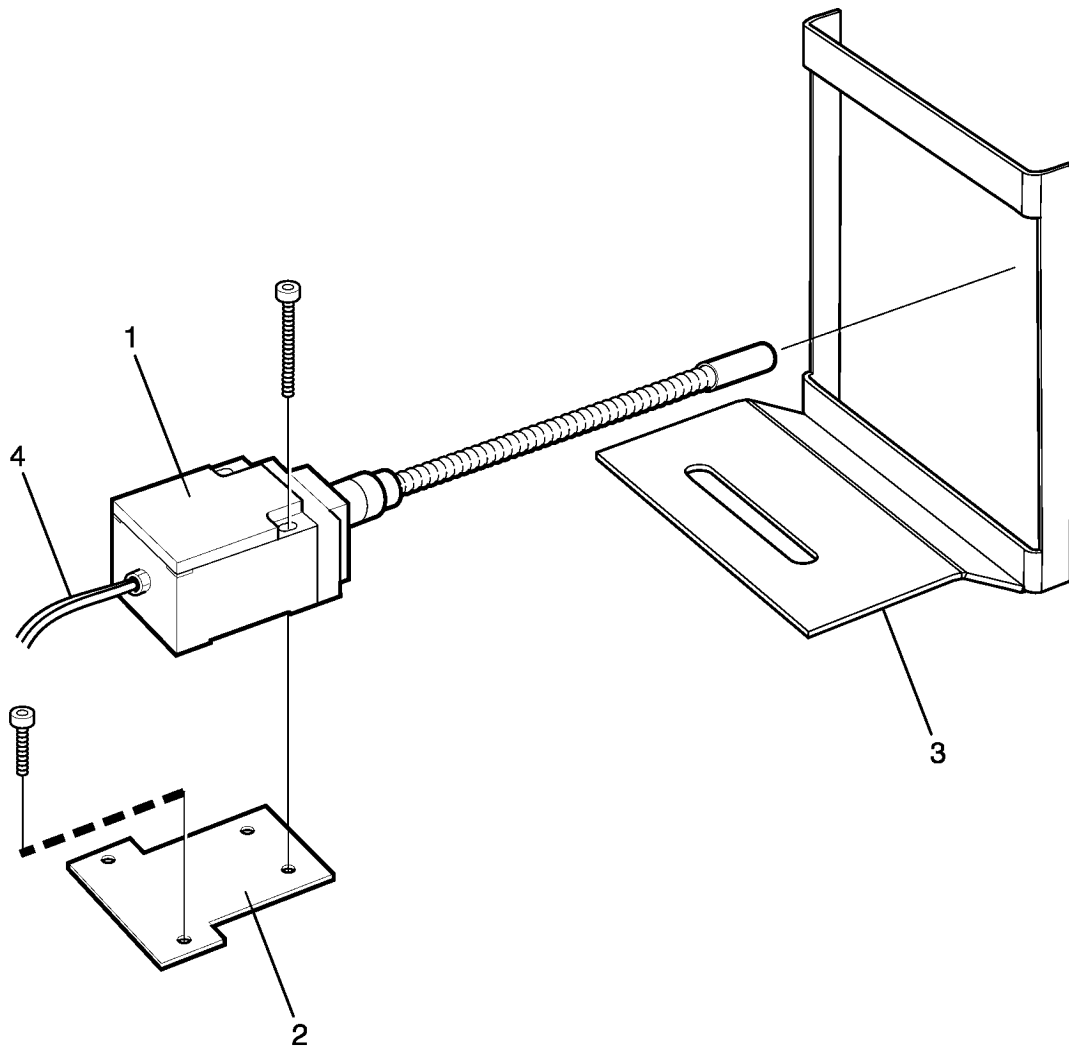
EX618co,EX625co,EX630co,EX640co,EX655co,EX670co

Detergent container

Illustration	Issue	Month	Year
Schéma	Issue	Month	Year
102344/1	2	4	2011

Compartiment à savon

Item Article	Qua. Qua.	Art.No Réf. article	Description	Description	Info Info	Notes Remarques
1	1	432 2401-01	Detergent container	Compartiment à savon	1,2	USA
	1	432 2401-03	Detergent container	Compartiment à savon	1,2	
2	2	432 2404-01	•Siphon	•Siphon	1,2	
3	1	432 2405-01	•Cover	•Couvercle	1,2	
4	1	432 2406-01	•Cover	•Couvercle	1,2	
5	2	432 2407-01	•Shaft	•Arbre	3	
6	1	438 8103-01	•Seal	•Joint	1,2	
7	1	432 2409-01	Cover	Couvercle	3	



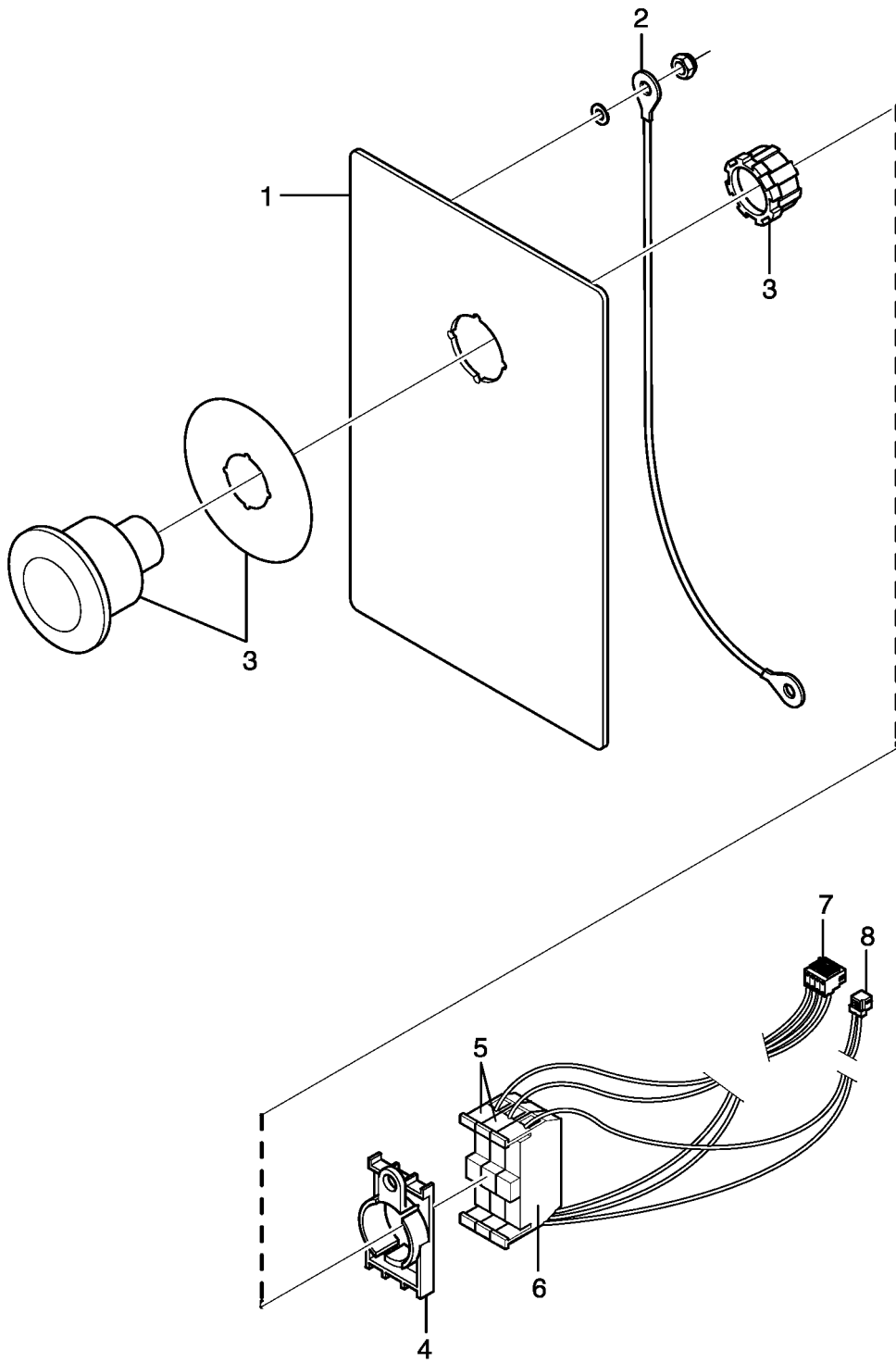
EX630co,EX640co

Out of balance switch

Commutateur asymétrique

Illustration	Issue	Month	Year
Schéma	Issue	Month	Year
102676	1	10	2009

Item Article	Qua. Qua.	Art.No Réf. article	Description	Description	Info Info	Notes Remarques
1	1	471 9608-01	Out of balance switch	Commutateur asymétrique	1,2	
2	1	432 2183-01	Mounting plate	Plaque de montage	3	
3	1	432 2184-01	Frame	Châssis	3	
4	1	432 2987-01	Cable set	Jeu de câbles	3	



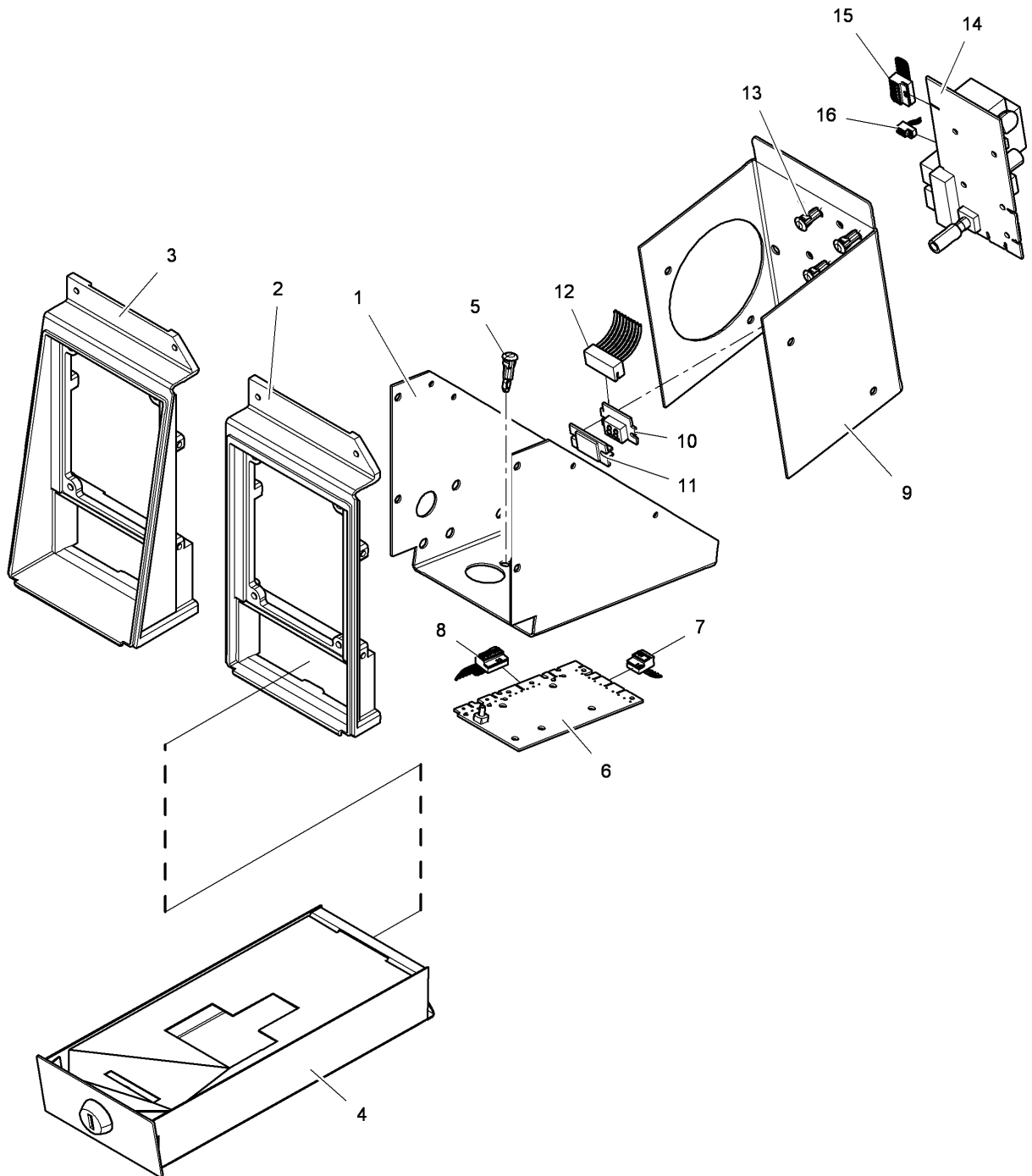
EX618co,EX625co,EX630co,EX640co,EX655co,EX670co

Emergency stop

Arrêt d'urgence

Illustration	Issue	Month	Year
Schéma	Issue	Month	Year
102596	1	1	2009

Item Article	Qua. Qua.	Art.No Réf. article	Description	Description	Info Info	Notes Remarques
1	1	432 2150-12	Cover plate	Plaque recouvrement	3	
2	1	432 2982-20	Cable set	Jeu de câbles	3	
3	1	471 9628-32	Emergency stop	Arrêt d'urgence	1	
4	1	471 9628-75	Bracket	Pièce de retenue	1	
5	2	471 9628-70	Socket	Bloc de connexion	1	NC Red
6	1	471 9628-71	Socket	Bloc de connexion	1	NO Green
7	1	413 3184-16	Cable set	Jeu de câbles	3	
8	1	413 3272-19	Cable set	Jeu de câbles	3	



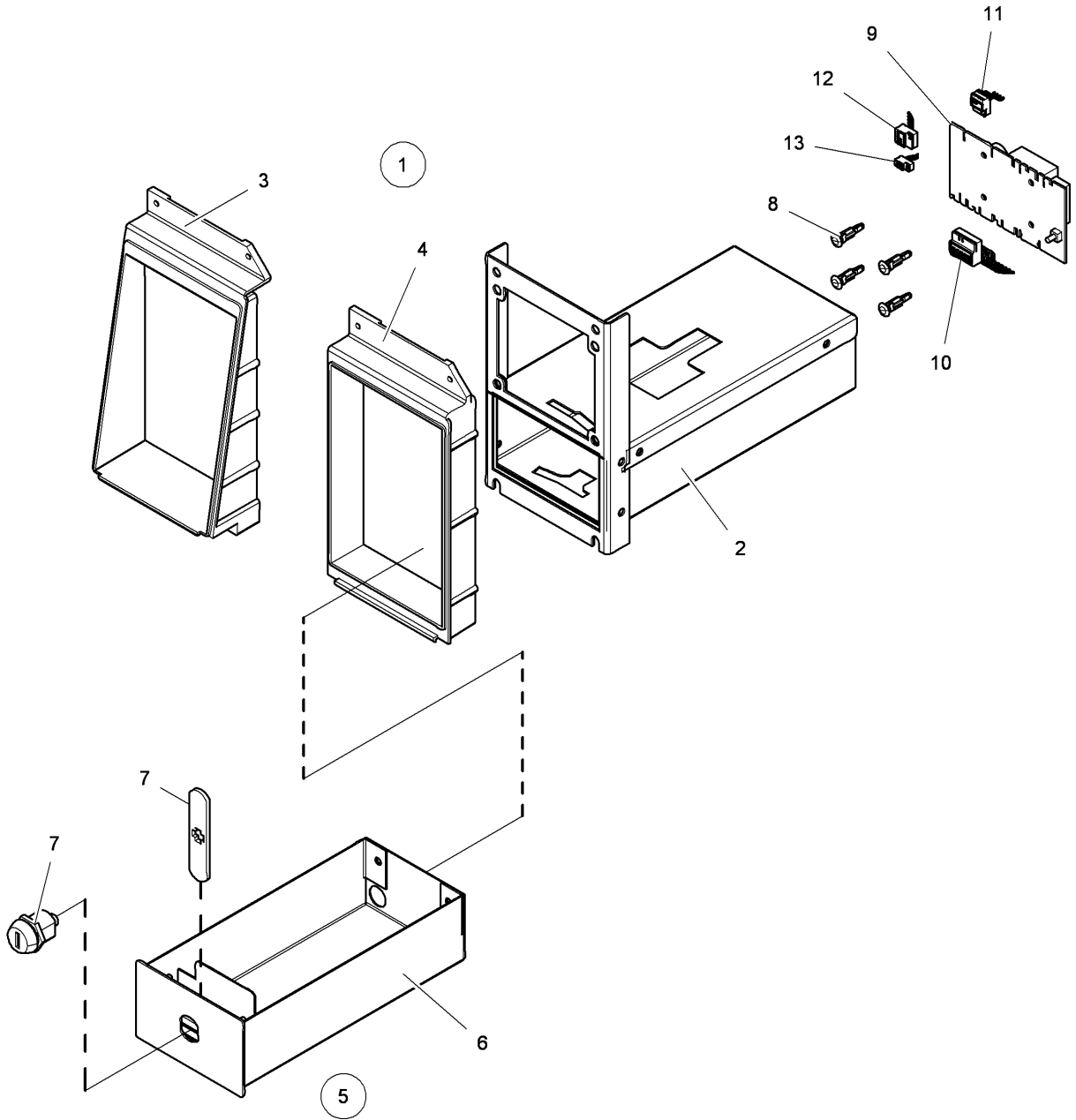
EX618co,EX625co,EX630co,EX640co,EX655co,EX670co

Coin box

Boîtier à jetons

Illustration Issue Month Year
Schéma Issue Month Year
500115 2 9 2011

Item Article	Qua. Qua.	Art.No Réf. article	Description	Description	Info Info	Notes Remarques
1	1	432 2185-02	Bracket	Pupitre	3	
2	1	432 2174-12	Frame	Châssis	3	
3	1	432 2175-12	Frame	Châssis	3	
4	1	432 2203-21	Coin box	Boîtier à jetons	3	Complete
	1	432 2203-22	Coin box	Boîtier à jetons	3	Japan Complete
5	4	471 7958-02	Support	Support	3	
6	1	438 8790-01	Printed circuit board	Carte circuit	1,2	PW9
	1	438 8775-01	Printed circuit board	Carte circuit	1,2	
	1	438 8775-02	Printed circuit board	Carte circuit	1,2	230V Blocking Electronic coin meter
	1	438 8775-07	Printed circuit board	Carte circuit	1,2	9V Blocking Electronic coin meter
7	1	432 3094-01	Cable set	Jeu de câbles	3	PW9
8	1	413 3276-01	Cable set	Jeu de câbles	3	6-pole
9	1	432 2300-01	Bracket	Pupitre	3	Classic Control
10	1	438 8778-12	Printed circuit board	Carte circuit	1,2	Classic Control
11	1	438 8921-90	Display	Affichage	1,2	Classic Control
12	1	413 3279-01	Cable set	Jeu de câbles	3	9-POLE Classic Control
13	5	471 7960-02	Support	Support	3	Classic Control
14	1	438 8778-01	Coin counter	Compteur	1,2	230V Classic Control
	1	438 8778-02	Coin counter	Compteur	1,2	120V Classic Control
15	1	432 3096-15	Cable set	Jeu de câbles	3	Classic Control
16	1	432 3192-71	Cable set	Jeu de câbles	3	2-pole Classic Control



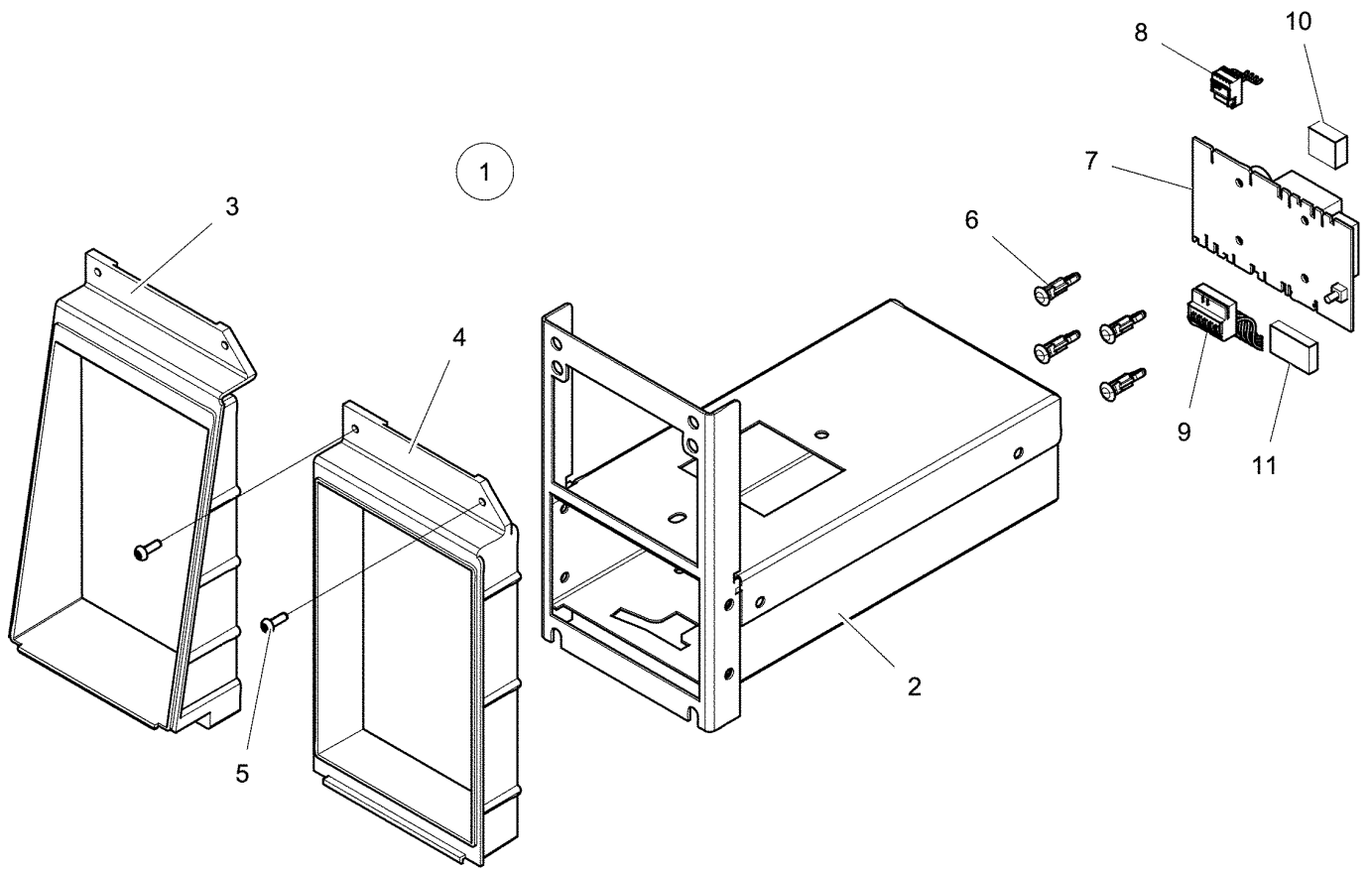
EX618co,EX625co,EX630co,EX640co,EX655co,EX670co

Coin box

Illustration Issue Month Year
Schéma Issue Month Year
500109 2 9 2011

Boîtier à jetons

Item Article	Qua. Qua.	Art.No Réf. article	Description	Description	Info Info	Notes Remarques
1	1	432 2234-12	Coin box	Boîtier à jetons	3	Complete Slanted panel
	1	432 2234-02	Coin box	Boîtier à jetons	3	Complete Vertical panel
2	1	432 2231-02	•Coin box	•Boîtier à jetons	3	
3	1	432 2268-01	•Frame	•Châssis	3	
4	1	432 2173-02	•Frame	•Châssis	3	
5	1	432 2233-01	Coin box	Boîtier à jetons	3	Complete Random key
	1	432 2233-02	Coin box	Boîtier à jetons	3	Complete Key 46080
	1	432 2233-03	Coin box	Boîtier à jetons	3	Complete Key 46199
	1	432 2233-04	Coin box	Boîtier à jetons	3	Complete Key 46819
6	1	432 2232-01	•Coin box	•Boîtier à jetons	3	
	1	472 9919-30	•Lock	•Serrure	3	Random key
	1	472 9919-31	•Lock	•Serrure	3	Key 46080
	1	472 9919-32	•Lock	•Serrure	3	Key 46199
7	1	472 9919-33	•Lock	•Serrure	3	Key 46819
	4	471 7960-02	Support	Support	3	
8	1	438 8775-01	Printed circuit board	Carte circuit	3	
	1	438 8775-07	Printed circuit board	Carte circuit	3	9V Blocking Electronic coin meter
9	1	438 8790-03	Printed circuit board	Carte circuit	3	PW 9
	1	413 3276-01	Cable set	Jeu de câbles	3	6-pole
	1	432 3096-15	Cable set	Jeu de câbles	3	PW 9
10	1	413 3084-09	Cable set	Jeu de câbles	3	4-pole
11	1	432 3094-01	Cable set	Jeu de câbles	3	PW9
12	1	432 3092-10	Cable set	Jeu de câbles	3	2-pole PW 9
13	1					



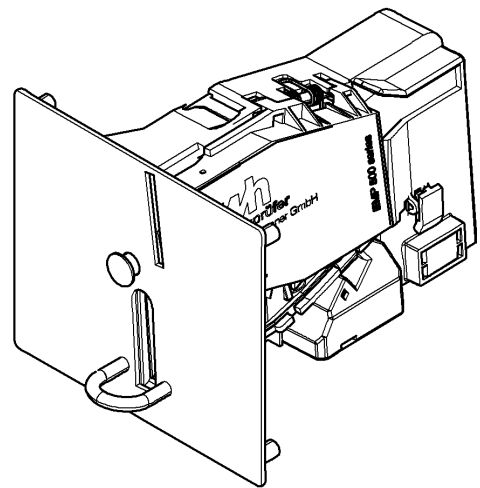
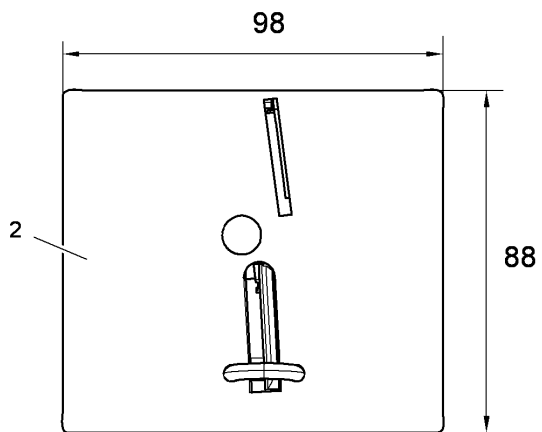
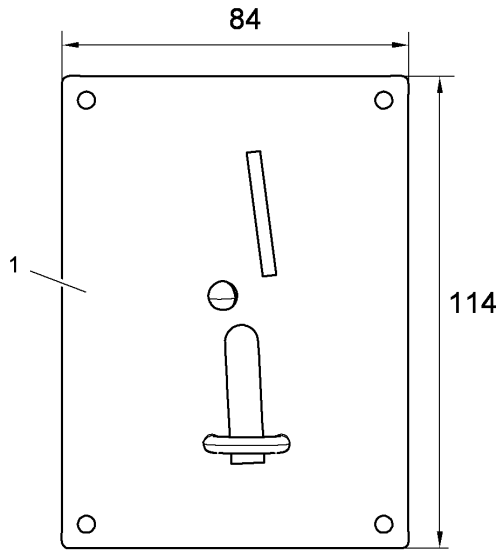
EX618co,EX625co,EX630co,EX640co,EX655co,EX670co

Coinbox USA

Boîtier à jetons USA

Illustration	Issue	Month	Year
Schéma	Issue	Month	Year
500110	2	1	2011

Item Article	Qua. Qua.	Art.No Réf. article	Description	Description	Info Info	Notes Remarques
1	1	432 2234-32	Coin box	Boîtier à jetons	3	Complete Slanted panel
	1	432 2234-22	Coin box	Boîtier à jetons	3	Complete Vertical panel
2	1	432 2231-11	•Coin box	•Boîtier à jetons	3	
3	1	432 2268-01	•Frame	•Châssis	3	
4	1	432 2173-02	•Frame	•Châssis	3	
5	2	471 8376-01	•Screw	•Vis	1,2	M4X12
	1	471 8376-99	Tool	Outil	3	Tool for 471837601
6	4	471 7960-02	Support	Support	3	
7	1	438 8775-01	Printed circuit board	Carte circuit	1,2	
8	1	413 3084-09	Cable set	Jeu de câbles	3	4-pole
9	1	413 3276-01	Cable set	Jeu de câbles	3	6-pole
10	1	438 8701-04	Frame	Châssis	3	2-pole
	1	438 8701-03	Multistik	Multi-grippe	3	2-pole
11	1	438 8701-02	Frame	Châssis	3	3-pole
	1	438 8701-01	Multistik	Multi-grippe	3	3-pole



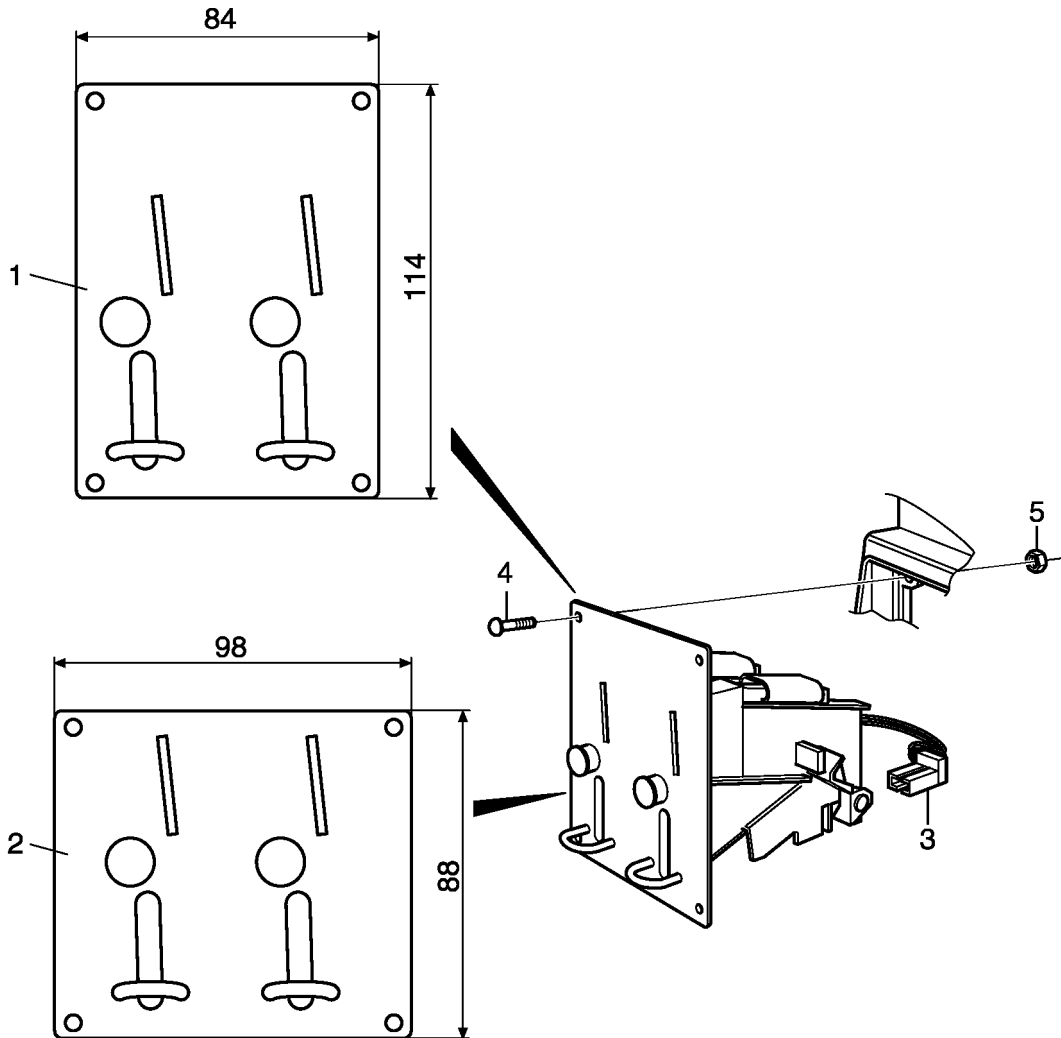
EX618co,EX625co,EX630co,EX640co,EX655co,EX670co

Electronic coin meter

Monnayeur électronique

Illustration	Issue	Month	Year
Schéma	Issue	Month	Year
500114	5	9	2011

Item Article	Qua. Qua.	Art.No Réf. article	Description	Description	Info Info	Notes Remarques
1	1	438 8920-01	Coin meter	Monnayeur	3	2 Coins, 100+500 JPY 230V Blocking
	1	438 8920-11	Coin meter	Monnayeur	3	2 Coins, 100+500 JPY 9V Blocking
2	1	438 8920-02	Coin meter	Monnayeur	3	2 Coins, 0,5+1 NZD
	1	438 8930-01	Coin meter	Monnayeur	3	JPY+WON
	1	438 8930-02	Coin meter	Monnayeur	3	NZD+AUD
	1	438 8930-03	Coin meter	Monnayeur	3	EUR+DKK+NOK
	1	438 8930-04	Coin meter	Monnayeur	3	EUR+SEK
	1	438 8930-05	Coin meter	Monnayeur	3	HKD+TWD
	1	438 8930-06	Coin meter	Monnayeur	3	MOP+MYR+SGD
	1	438 8930-07	Coin meter	Monnayeur	3	CHF+CZK+LTL
	1	438 8930-08	Coin meter	Monnayeur	3	AED+ZAR+ILS
	1	438 8930-09	Coin meter	Monnayeur	3	GBP+EUR
	1	438 8930-10	Coin meter	Monnayeur	3	PLN+EUR
	1	438 8930-11	Coin meter	Monnayeur	3	EUR+Tokens
1	438 8930-12	Coin meter	Monnayeur	3	CNY	



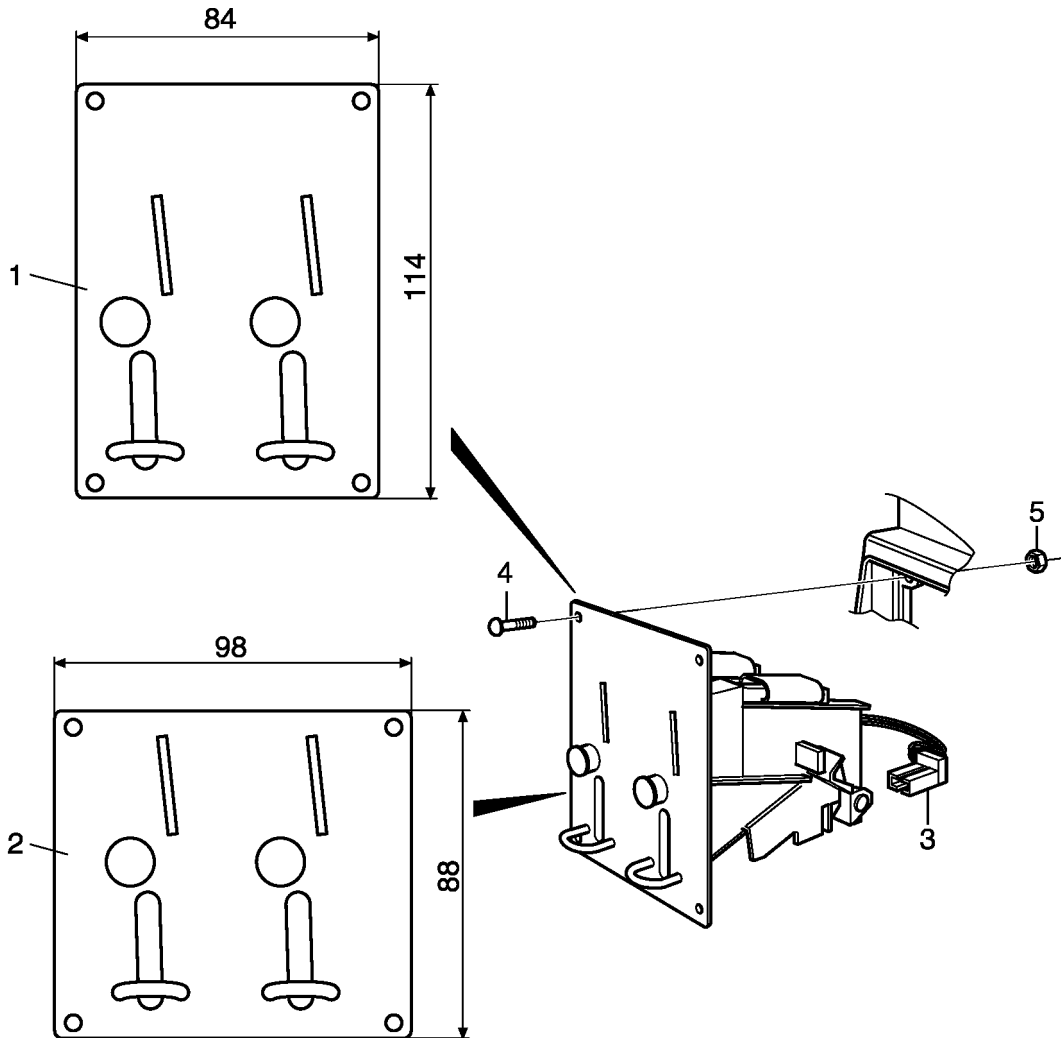
EX618co,EX625co,EX630co,EX640co,EX655co,EX670co

Coin meter

Illustration Issue Month Year
Schéma Issue Month Year
102672 5 9 2011

Monnayeur

Item Article	Qua. Qua.	Art.No Réf. article	Description	Description	Info Info	Notes Remarques
1	1	438 8923-01	Coin meter	Monnayeur	3	1 Coin, 0,25 USD
	1	438 8923-03	Coin meter	Monnayeur	3	1 Coin, 100 JPY
	1	438 8923-04	Coin meter	Monnayeur	3	2 Coins, 0,5+1 EUR
	1	438 8923-05	Coin meter	Monnayeur	3	2 Coins, 0,2 + 1 GBP
	1	438 8923-06	Coin meter	Monnayeur	3	2 Coins, 1+5 DKK
	1	438 8923-07	Coin meter	Monnayeur	3	2 Coins, 10+50 TWD
	1	438 8923-09	Coin meter	Monnayeur	3	2 Coins, 1+10 DKK
	1	438 8923-10	Coin meter	Monnayeur	3	2 Coins, 2+5 DKK
	1	438 8923-11	Coin meter	Monnayeur	3	2 Coins, 2+10 DKK
	1	438 8923-12	Coin meter	Monnayeur	3	2 Coins, 5+10 DKK
	1	438 8923-13	Coin meter	Monnayeur	3	2 Coins, 1+5 NOK
	1	438 8923-14	Coin meter	Monnayeur	3	2 Coins, 1+10 NOK
	1	438 8923-15	Coin meter	Monnayeur	3	2 Coins, 5+10 NOK
	1	438 8923-16	Coin meter	Monnayeur	3	2 Coins, 10+20 NOK
	1	438 8923-20	Coin meter	Monnayeur	3	2 Coins, 1+5 HKD
	1	438 8923-22	Coin meter	Monnayeur	3	2 Coins, 0,2+1 AUD
	1	438 8924-04	Coin meter	Monnayeur	3	2 Coins, 1+1 AUD
	1	438 8923-23	Coin meter	Monnayeur	3	2 Coins, 0,1+0,5 EUR
	1	438 8923-25	Coin meter	Monnayeur	3	2 Coins, 0,2+1 EUR
	1	438 8923-26	Coin meter	Monnayeur	3	2 Coins, 1+2 EUR
	1	438 8923-27	Coin meter	Monnayeur	3	2 Coins, 0,2+2 EUR
	1	438 8923-29	Coin meter	Monnayeur	3	TOKEN MENCH Ø25,78x2,34
	1	438 8923-31	Coin meter	Monnayeur	3	1 Coin, 1 AED
	1	438 8923-32	Coin meter	Monnayeur	3	1 Coin, 1 AUD
	1	438 8923-35	Coin meter	Monnayeur	3	1 Coin, 2 DKK
	1	438 8923-36	Coin meter	Monnayeur	3	1 Coin, 10 DKK
	1	438 8923-37	Coin meter	Monnayeur	3	1 Coin, 0,1 EUR
	1	438 8923-38	Coin meter	Monnayeur	3	1 Coin, 0,2 EUR
	1	438 8923-39	Coin meter	Monnayeur	3	1 Coin, 0,5 EUR
	1	438 8923-40	Coin meter	Monnayeur	3	1 Coin, 1 EUR
	1	438 8923-42	Coin meter	Monnayeur	3	1 Coin, 1 MACAUDOLLAR
	1	438 8923-43	Coin meter	Monnayeur	3	1 Coin, 5 HKD
	1	438 8923-45	Coin meter	Monnayeur	3	1 Coin, 500 WON
	1	438 8923-48	Coin meter	Monnayeur	3	1 Coin, 1 SEK
	1	438 8923-49	Coin meter	Monnayeur	3	1 Coin, 5 SEK
	1	438 8923-52	Coin meter	Monnayeur	3	1 Coin, 1 SGD
	1	438 8923-53	Coin meter	Monnayeur	3	1 Coin, 10 TWD
	1	438 8923-55	Coin meter	Monnayeur	3	1 Coin, 1 NOK
	1	438 8923-57	Coin meter	Monnayeur	3	1 Coin, 10 NOK
	1	438 8923-59	Coin meter	Monnayeur	3	TOKEN 25,7x1,6
	1	438 8923-60	Coin meter	Monnayeur	3	TOKEN 26,0x2,1
	1	438 8923-68	Coin meter	Monnayeur	3	TOKEN 26,3x1,9
	1	438 8923-76	Coin meter	Monnayeur	3	TOKEN 25,0x2,0
	1	438 8923-78	Coin meter	Monnayeur	3	TOKEN 23,5x1,7
	1	438 8923-79	Coin meter	Monnayeur	3	TOKEN 25,8x1,7
	1	438 8923-81	Coin meter	Monnayeur	3	TOKEN 27,4x1,6
	1	438 8923-82	Coin meter	Monnayeur	3	TOKEN 25,0x1,8
	1	438 8923-83	Coin meter	Monnayeur	3	TOKEN 24,3x1,5
	1	438 8923-85	Coin meter	Monnayeur	3	TOKEN 22,5x1,5
	1	438 8923-86	Coin meter	Monnayeur	3	TOKEN 27,0x1,6
	1	438 8923-87	Coin meter	Monnayeur	3	TOKEN 24,3x1,5
	1	438 8923-88	Coin meter	Monnayeur	3	TOKEN 23,7x1,6
	1	438 8923-89	Coin meter	Monnayeur	3	TOKEN 19,0x1,0
	1	438 8923-90	Coin meter	Monnayeur	3	TOKEN 19,0x1,5
	1	438 8923-91	Coin meter	Monnayeur	3	TOKEN 22,35x1,6
	1	438 8923-94	Coin meter	Monnayeur	3	TOKEN MIELE
	1	438 8923-95	Coin meter	Monnayeur	3	1 Coin, 5 DKK
	1	438 8923-96	Coin meter	Monnayeur	3	2 Coins, 1+2 AUD
	1	438 8924-05	Coin meter	Monnayeur	3	2 Coins, 2+2 AUD



EX618co,EX625co,EX630co,EX640co,EX655co,EX670co

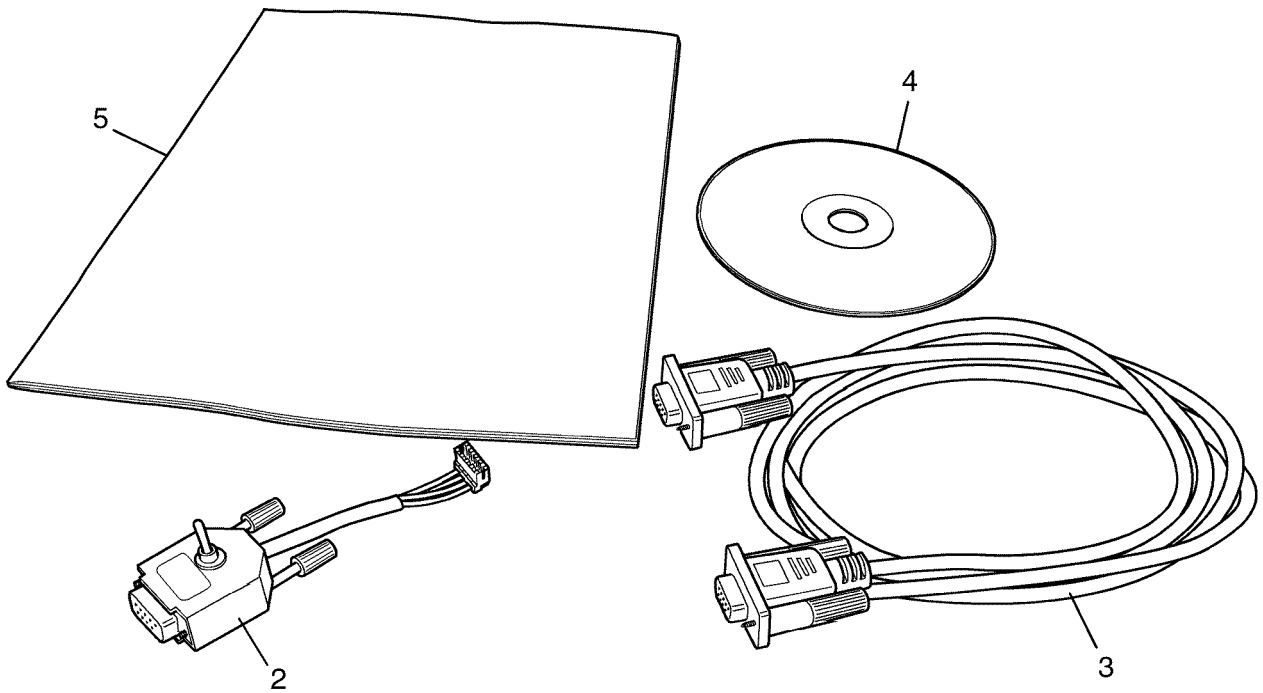
Coin meter

Monnayeur

Illustration Issue Month Year
Schéma Issue Month Year
102672 5 9 2011

Item Article	Qua. Qua.	Art.No Réf. article	Description	Description	Info Info	Notes Remarques
2	1	438 8923-97	Coin meter	Monnayeur	3	1 Coin, 2 EUR
	1	438 8923-98	Coin meter	Monnayeur	3	TOKEN 32,0x2,0
	1	438 8924-01	Coin meter	Monnayeur	3	2 Coins, 1+5 LTL
	1	438 8924-03	Coin meter	Monnayeur	3	2 Coins, 1+2 CHF
	1	438 8931-40	Coin meter	Monnayeur	3	1 Coin, 1 EUR
	1	438 8931-59	Coin meter	Monnayeur	3	TOKEN 25,7x1,6
	1	438 8931-60	Coin meter	Monnayeur	3	TOKEN 26,0x2,1
	1	438 8931-75	Coin meter	Monnayeur	3	TOKEN 22,0x1,6
	1	438 8931-76	Coin meter	Monnayeur	3	TOKEN 25,0x2,0
	1	438 8931-78	Coin meter	Monnayeur	3	TOKEN 23,5x1,7
	1	438 8931-79	Coin meter	Monnayeur	3	TOKEN 25,8x1,7
	1	438 8931-81	Coin meter	Monnayeur	3	TOKEN 27,4x1,6
	1	438 8931-82	Coin meter	Monnayeur	3	TOKEN 25,0x1,8
	1	438 8931-85	Coin meter	Monnayeur	3	TOKEN 22,5x1,5
	1	438 8931-86	Coin meter	Monnayeur	3	TOKEN 27,0x1,6
	1	438 8931-87	Coin meter	Monnayeur	3	TOKEN 24,3x1,5
	1	438 8931-88	Coin meter	Monnayeur	3	TOKEN 23,7x1,6
	1	438 8931-89	Coin meter	Monnayeur	3	TOKEN 19,0x1,0
	1	438 8931-90	Coin meter	Monnayeur	3	TOKEN 19,0x1,5
	1	438 8931-91	Coin meter	Monnayeur	3	TOKEN 22,35x1,6
1	438 8932-04	Coin meter	Monnayeur	3	2 Coins, 0,5+1 EUR	
1	438 8932-25	Coin meter	Monnayeur	3	2 Coins, 0,2+1 EUR	
1	438 8932-27	Coin meter	Monnayeur	3	2 Coins, 0,2+2 EUR	
1	438 8932-05	Coin meter	Monnayeur	3	2 Coins, 0,2+1 GBP	
1	438 8932-06	Coin meter	Monnayeur	3	2 Coins, 1+5 DKK	
1	438 8932-07	Coin meter	Monnayeur	3	2 Coins, 10+50 TWD	
1	438 8932-32	Coin meter	Monnayeur	3	2 Coins, 1+1 AUD	
3	Rq	438 8924-99	•Sensor	•Décteur	1,2	
4	4	471 8910-90	Screw	Vis	3	
5	4	731 2312-01	Nut	Écrou	3	M4

1



EX618co,EX625co,EX630co,EX640co,EX655co,EX670co

Compass control loader

Illustration	Issue	Month	Year
Schéma	Issue	Month	Year
102486/1	1	12	2006

Compass control loader

Item Article	Qua. Qua.	Art.No Réf. article	Description	Description	Info Info	Notes Remarques
1	1		Compass control loader	Compass control loader	3	Complete
2	1	413 2934-01	•Cable	•Câble	3	
3	1	438 8793-01	•Cable	•Câble	3	Complete
4	1	438 9210-60	•CD-ROM	•CD-ROM	3	
5	1	438 9212-90	•User instructions	•Instruction de fonctionnement	3	Swedish
	1	438 9212-91	•User instructions	•Instruction de fonctionnement	3	English

Numerical index/Numerical index

Art.No/Réf. article	Page/Page	Art.No/Réf. article	Page/Page	Art.No/Réf. article	Page/Page	Art.No/Réf. article	Page/Page
413 2200-11	27	413 2965-03	19	413 3272-23	53	432 1399-02	23
413 2200-21	27	413 2965-03	23	413 3274-01	67	432 1406-01	19
413 2201-21	27	413 2965-04	19	413 3274-03	69	432 1406-01	23
413 2201-22	27	413 2965-05	19	413 3274-05	63	432 1406-02	19
413 2201-23	27	413 2965-11	13	413 3274-06	63	432 1406-02	23
413 2201-24	27	413 2965-12	13	413 3274-07	63	432 1407-01	19
413 2201-25	33	413 2965-13	13	413 3274-08	63	432 1407-01	23
413 2201-27	33	413 2965-22	15	413 3274-11	63	432 1407-02	19
413 2201-29	33	413 2965-23	15	413 3274-13	63	432 1407-02	23
413 2601-01	59	413 2965-24	13	413 3274-14	63	432 1411-01	19
413 2601-02	59	413 2965-24	15	413 3274-15	63	432 1412-01	19
413 2603-01	59	413 2965-25	15	413 3274-18	63	432 1413-01	23
413 2604-01	59	413 3082-05	69	413 3274-20	63	432 1414-01	23
413 2605-01	59	413 3082-21	83	413 3274-23	63	432 1418-01	13
413 2607-01	59	413 3082-29	83	413 3275-02	63	432 1419-01	13
413 2608-01	59	413 3082-30	83	413 3276-01	103	432 1420-01	15
413 2611-06	59	413 3082-35	67	413 3276-01	105	432 1421-01	15
413 2611-07	59	413 3084-02	69	413 3276-01	107	432 1421-01	19
413 2611-15	59	413 3084-09	63	413 3279-01	103	432 1421-01	23
413 2611-25	59	413 3084-09	105	413 3280-01	63	432 1426-01	19
413 2611-35	59	413 3084-09	107	413 3704-10	9	432 1426-01	23
413 2611-37	59	413 3084-10	57	413 3704-10	11	432 1437-01	23
413 2611-50	59	413 3084-16	63	413 3704-11	13	432 1453-01	7
413 2611-51	59	413 3084-18	63	413 3704-12	17	432 1453-01	11
413 2611-52	59	413 3084-19	63	413 3704-12	21	432 1453-01	13
413 2611-53	59	413 3084-21	57	413 3704-12	25	432 1453-01	15
413 2611-54	59	413 3084-22	57	413 4012-01	41	432 1453-01	19
413 2611-55	59	413 3084-23	57	413 4112-01	41	432 1453-01	23
413 2611-61	59	413 3084-24	57	413 4212-01	41	432 1454-01	51
413 2611-62	59	413 3084-25	69	413 4312-01	41	432 1455-01	51
413 2611-69	59	413 3086-07	79	413 4312-02	41	432 1458-01	7
413 2611-70	59	413 3086-08	79	413 5004-01	71	432 1458-01	11
413 2611-77	59	413 3086-08	81	413 5006-01	27	432 1458-01	13
413 2611-78	59	413 3086-10	81	413 5008-01	27	432 1458-01	15
413 2902-02	91	413 3088-07	77	413 5068-01	13	432 1458-01	19
413 2902-04	91	413 3088-07	81	413 5068-01	15	432 1459-01	7
413 2902-06	91	413 3088-07	83	413 5915-02	67	432 1459-01	11
413 2902-08	91	413 3088-08	85	413 9701-01	47	432 1459-02	7
413 2902-10	91	413 3088-08	87	432 0641-01	47	432 1468-01	19
413 2902-12	91	413 3088-10	81	432 1206-01	7	432 1468-01	23
413 2903-02	93	413 3088-10	85	432 1211-02	7	432 1470-01	13
413 2903-04	93	413 3088-10	87	432 1212-03	7	432 1470-01	15
413 2905-02	67	413 3182-02	67	432 1220-01	69	432 1473-01	53
413 2915-01	29	413 3182-09	85	432 1229-01	49	432 1500-11	35
413 2915-01	33	413 3182-09	87	432 1256-01	11	432 1500-15	35
413 2915-02	29	413 3182-10	85	432 1257-01	7	432 1501-01	35
413 2915-02	33	413 3182-10	87	432 1261-01	11	432 1501-05	35
413 2918-01	57	413 3182-11	87	432 1262-02	11	432 1502-01	35
413 2918-02	57	413 3182-14	87	432 1264-01	11	432 1502-03	35
413 2918-02	69	413 3182-15	85	432 1265-01	11	432 1502-05	35
413 2918-03	57	413 3182-15	87	432 1295-01	13	432 1503-01	37
413 2918-04	57	413 3182-16	85	432 1295-01	15	432 1503-03	37
413 2918-04	69	413 3182-16	87	432 1295-01	19	432 1503-05	37
413 2918-05	57	413 3182-17	87	432 1295-01	23	432 1504-01	37
413 2918-06	57	413 3184-16	101	432 1306-01	13	432 1504-03	37
413 2918-06	69	413 3272-06	7	432 1307-01	13	432 1504-05	37
413 2918-07	57	413 3272-07	53	432 1311-01	13	432 1504-41	37
413 2918-08	57	413 3272-09	11	432 1312-02	13	432 1504-42	37
413 2918-09	57	413 3272-10	53	432 1335-01	19	432 1540-01	37
413 2934-01	115	413 3272-15	19	432 1335-01	23	432 1541-01	37
413 2946-01	69	413 3272-15	23	432 1336-01	15	432 1542-01	37
413 2965-01	15	413 3272-16	53	432 1356-01	15	432 1543-01	37
413 2965-01	19	413 3272-17	13	432 1357-01	15	432 1544-01	37
413 2965-01	23	413 3272-18	53	432 1360-01	15	432 1545-01	37
413 2965-02	19	413 3272-19	101	432 1361-01	15	432 1546-01	37
413 2965-02	23	413 3272-22	15	432 1362-01	15	432 1547-01	37

Numerical index/Numerical index

Art.No/Réf. article	Page/Page	Art.No/Réf. article	Page/Page	Art.No/Réf. article	Page/Page	Art.No/Réf. article	Page/Page
432 1548-01	37	432 1649-01	23	432 2035-11	31	432 2164-12	27
432 1549-01	37	432 1650-01	13	432 2035-31	31	432 2173-02	105
432 1550-01	37	432 1651-01	15	432 2035-32	31	432 2173-02	107
432 1551-01	37	432 1652-01	19	432 2036-03	31	432 2174-12	103
432 1552-01	39	432 1653-01	7	432 2036-10	31	432 2175-12	103
432 1553-01	39	432 1653-01	11	432 2037-10	31	432 2179-01	31
432 1554-01	39	432 1653-01	13	432 2037-11	31	432 2180-01	27
432 1555-01	37	432 1653-01	15	432 2037-31	31	432 2183-01	99
432 1560-01	37	432 1653-01	19	432 2037-32	31	432 2184-01	99
432 1561-01	37	432 1653-01	23	432 2038-03	33	432 2185-02	103
432 1562-01	37	432 1654-01	7	432 2038-10	33	432 2199-01	67
432 1563-01	37	432 1654-01	11	432 2040-03	33	432 2199-03	67
432 1564-01	37	432 1654-01	13	432 2040-10	33	432 2199-05	67
432 1565-01	39	432 1654-01	15	432 2050-01	31	432 2200-01	27
432 1566-01	39	432 1654-01	19	432 2050-02	31	432 2200-03	27
432 1567-01	39	432 1654-01	23	432 2051-01	31	432 2200-08	27
432 1568-01	39	432 1656-01	37	432 2051-02	31	432 2200-10	27
432 1569-01	39	432 1673-01	95	432 2052-01	31	432 2200-11	27
432 1570-11	35	432 1825-03	41	432 2052-02	31	432 2200-13	27
432 1570-12	35	432 1826-02	41	432 2057-03	27	432 2200-18	27
432 1570-13	35	432 1827-02	41	432 2057-10	27	432 2200-20	27
432 1571-01	35	432 1828-02	41	432 2058-03	27	432 2203-21	103
432 1571-02	35	432 1840-02	41	432 2058-10	27	432 2203-22	103
432 1571-03	35	432 1840-03	41	432 2059-05	31	432 2207-33	31
432 1572-01	35	432 1841-02	41	432 2059-06	31	432 2207-40	31
432 1572-02	35	432 1842-02	41	432 2059-10	31	432 2214-01	67
432 1572-03	35	432 1843-02	41	432 2059-11	31	432 2215-01	27
432 1573-01	35	432 1855-01	41	432 2060-02	27	432 2215-01	33
432 1573-02	35	432 1856-01	41	432 2061-01	27	432 2231-02	105
432 1573-03	35	432 1857-01	41	432 2062-01	27	432 2231-11	107
432 1574-01	35	432 1857-02	41	432 2063-01	27	432 2232-01	105
432 1574-02	35	432 1858-01	41	432 2064-01	31	432 2233-01	105
432 1574-03	35	432 1858-02	41	432 2065-01	31	432 2233-02	105
432 1574-21	35	432 1870-01	41	432 2066-01	31	432 2233-03	105
432 1574-22	35	432 1871-01	41	432 2067-01	31	432 2233-04	105
432 1574-23	35	432 1872-01	41	432 2068-01	31	432 2234-02	105
432 1589-01	37	432 1873-01	41	432 2069-01	31	432 2234-12	105
432 1605-21	35	432 1874-01	41	432 2082-01	33	432 2234-22	107
432 1605-25	35	432 1885-03	41	432 2082-02	33	432 2234-32	107
432 1605-26	35	432 1885-11	41	432 2083-01	33	432 2246-02	27
432 1606-01	35	432 1886-02	41	432 2083-02	33	432 2246-03	27
432 1606-02	35	432 1886-11	41	432 2084-01	33	432 2247-01	31
432 1606-06	35	432 1887-03	41	432 2084-02	33	432 2248-01	31
432 1607-01	35	432 1887-04	41	432 2096-01	33	432 2249-01	31
432 1607-02	35	432 1887-11	41	432 2096-02	33	432 2256-01	67
432 1607-04	35	432 1887-12	41	432 2120-01	27	432 2257-01	67
432 1607-05	35	432 1888-04	41	432 2121-02	33	432 2258-01	67
432 1607-07	35	432 1888-05	41	432 2121-03	33	432 2259-01	27
432 1608-01	35	432 1888-11	41	432 2121-04	33	432 2259-01	33
432 1608-03	35	432 1888-12	41	432 2122-01	27	432 2261-01	59
432 1608-04	35	432 1950-02	41	432 2130-01	27	432 2261-02	59
432 1608-05	35	432 1951-01	41	432 2130-03	27	432 2265-01	59
432 1608-07	35	432 1961-01	41	432 2131-01	31	432 2266-01	59
432 1609-01	35	432 1962-01	41	432 2131-02	33	432 2267-01	59
432 1609-02	35	432 2002-01	31	432 2131-03	33	432 2268-01	105
432 1609-04	35	432 2003-01	31	432 2131-04	33	432 2268-01	107
432 1609-05	35	432 2004-01	31	432 2135-01	31	432 2270-01	41
432 1609-07	35	432 2032-03	31	432 2135-02	31	432 2273-01	27
432 1609-51	35	432 2032-10	31	432 2137-01	33	432 2273-01	31
432 1609-52	35	432 2033-10	31	432 2150-11	59	432 2280-65	27
432 1609-53	35	432 2033-11	31	432 2150-12	101	432 2280-66	27
432 1630-01	95	432 2033-31	31	432 2154-01	67	432 2281-65	27
432 1631-01	95	432 2033-32	31	432 2163-11	31	432 2281-66	27
432 1649-01	13	432 2034-03	31	432 2163-13	31	432 2300-01	103
432 1649-01	15	432 2034-10	31	432 2163-15	31	432 2301-01	75
432 1649-01	19	432 2035-10	31	432 2164-11	27	432 2305-01*	75

Numerical index/Numerical index

Art.No/Réf. article	Page/Page	Art.No/Réf. article	Page/Page	Art.No/Réf. article	Page/Page	Art.No/Réf. article	Page/Page
432 2306-01	75	432 2950-01	7	438 0054-01	89	438 8923-01	111
432 2308-01	75	432 2950-01	11	438 0055-01	89	438 8923-03	111
432 2312-01*	75	432 2951-04	7	438 0056-03	75	438 8923-04	111
432 2401-01	97	432 2951-04	11	438 0056-04	75	438 8923-05	111
432 2401-03	97	432 2953-01	7	438 0083-01	71	438 8923-06	111
432 2404-01	97	432 2953-01	11	438 2440-02	65	438 8923-07	111
432 2405-01	97	432 2954-03	67	438 4062-01	41	438 8923-09	111
432 2406-01	97	432 2954-13	67	438 5022-01	93	438 8923-10	111
432 2407-01	97	432 2954-14	67	438 5040-01	71	438 8923-11	111
432 2409-01	97	432 2954-26	93	438 5109-02	27	438 8923-12	111
432 2501-01	89	432 2961-01	57	438 5124-05	49	438 8923-13	111
432 2502-01	71	432 2977-01	13	438 7507-01	27	438 8923-14	111
432 2502-01	89	432 2977-01	15	438 7508-01	27	438 8923-15	111
432 2505-01	89	432 2977-01	19	438 7509-01	7	438 8923-16	111
432 2506-01	71	432 2977-01	23	438 7509-02	11	438 8923-20	111
432 2507-01	71	432 2982-10	91	438 7510-01	7	438 8923-22	111
432 2508-01	71	432 2982-20	101	438 7510-01	11	438 8923-23	111
432 2508-02	71	432 2983-01	53	438 7950-01	69	438 8923-25	111
432 2510-01	71	432 2983-02	53	438 7950-02	69	438 8923-26	111
432 2511-01	71	432 2983-03	67	438 8102-06	71	438 8923-27	111
432 2515-01	71	432 2983-04	67	438 8103-01	97	438 8923-29	111
432 2516-02	71	432 2984-01	67	438 8120-01	71	438 8923-31	111
432 2516-04	91	432 2985-01	7	438 8120-02	71	438 8923-32	111
432 2516-05	91	432 2985-01	11	438 8155-01	37	438 8923-35	111
432 2517-01	91	432 2985-01	13	438 8155-02	37	438 8923-36	111
432 2518-01	91	432 2985-01	15	438 8155-03	37	438 8923-37	111
432 2518-03	91	432 2985-01	19	438 8155-04	37	438 8923-38	111
432 2518-04	91	432 2985-01	23	438 8155-05	37	438 8923-39	111
432 2520-01	71	432 2987-01	99	438 8156-01	13	438 8923-40	111
432 2520-02	71	432 2990-01	51	438 8156-01	15	438 8923-42	111
432 2521-03	71	432 2990-02	51	438 8156-01	19	438 8923-43	111
432 2524-01	91	432 2991-01	51	438 8156-03	23	438 8923-45	111
432 2524-01	93	432 2998-01	7	438 8158-01	47	438 8923-48	111
432 2524-02	91	432 2998-01	11	438 8158-02	47	438 8923-49	111
432 2524-02	93	432 3058-03	95	438 8160-01	7	438 8923-52	111
432 2530-02	91	432 3092-10	105	438 8160-01	11	438 8923-53	111
432 2531-01	91	432 3092-86	67	438 8172-01	47	438 8923-55	111
432 2532-01	93	432 3094-01	103	438 8270-01	93	438 8923-57	111
432 2533-01	93	432 3094-01	105	438 8270-02	93	438 8923-59	111
432 2534-01	91	432 3096-15	103	438 8701-01	67	438 8923-60	111
432 2536-01	91	432 3096-15	105	438 8701-01	107	438 8923-68	111
432 2537-01	91	432 3106-01	67	438 8701-02	107	438 8923-76	111
432 2538-01	93	432 3182-41	71	438 8701-03	67	438 8923-78	111
432 2548-01	91	432 3182-43	71	438 8701-03	107	438 8923-79	111
432 2620-02	43	432 3192-71	103	438 8701-04	107	438 8923-81	111
432 2620-12	43	432 3604-01	69	438 8720-01	67	438 8923-82	111
432 2647-21	59	432 3604-02	69	438 8720-02	67	438 8923-83	111
432 2647-23	59	432 6318-01	29	438 8720-03	67	438 8923-85	111
432 2647-24	59	432 6318-01	33	438 8774-02	57	438 8923-86	111
432 2647-26	59	432 6320-01	67	438 8775-01	103	438 8923-87	111
432 2647-26	61	432 6323-01	69	438 8775-01	105	438 8923-88	111
432 2647-27	59	432 6324-01	63	438 8775-01	107	438 8923-89	111
432 2647-29	59	432 6325-01	63	438 8775-02	103	438 8923-90	111
432 2647-30	59	432 6326-01	63	438 8775-07	103	438 8923-91	111
432 2647-31	61	432 6327-01	63	438 8775-07	105	438 8923-94	111
432 2905-07	45	432 6344-02	63	438 8778-01	103	438 8923-95	111
432 2905-07	63	432 6345-01	63	438 8778-02	103	438 8923-96	111
432 2905-09	45	432 6805-06	67	438 8778-12	103	438 8923-97	113
432 2905-09	63	432 6902-04	63	438 8790-01	103	438 8923-98	113
432 2905-11	45	432 6903-02	69	438 8790-03	105	438 8924-01	113
432 2905-11	63	432 6930-02	67	438 8793-01	115	438 8924-03	113
432 2905-13	45	432 6933-02	69	438 8797-02	69	438 8924-04	111
432 2905-13	63	432 8702-03	63	438 8920-01	109	438 8924-05	111
432 2905-15	45	438 0051-01	89	438 8920-02	109	438 8924-99	113
432 2905-15	63	438 0052-01	89	438 8920-11	109	438 8930-01	109
432 2925-01	57	438 0053-01	89	438 8921-90	103	438 8930-02	109

Numerical index/Numerical index

Art.No/Réf. article	Page/Page	Art.No/Réf. article	Page/Page	Art.No/Réf. article	Page/Page	Art.No/Réf. article	Page/Page
438 8930-03	109	438 9678-11	67	471 7960-02	107	471 8328-05	7
438 8930-04	109	438 9678-12	67	471 7977-03	69	471 8328-05	11
438 8930-05	109	438 9678-13	67	471 7977-04	69	471 8328-05	13
438 8930-06	109	438 9678-14	67	471 7980-01	33	471 8328-05	15
438 8930-07	109	438 9701-31	47	471 8116-03	93	471 8328-05	19
438 8930-08	109	438 9702-31	47	471 8124-02	71	471 8328-05	23
438 8930-09	109	438 9703-21	47	471 8124-03	71	471 8328-06	7
438 8930-10	109	438 9705-21	47	471 8124-04	71	471 8328-06	11
438 8930-11	109	438 9705-61	47	471 8124-05	71	471 8328-07	7
438 8930-12	109	438 9705-71	47	471 8126-25	95	471 8328-07	11
438 8931-40	113	438 9799-01	57	471 8126-26	95	471 8328-08	13
438 8931-59	113	438 9799-02	51	471 8126-27	95	471 8328-08	19
438 8931-60	113	438 9799-03	51	471 8126-28	95	471 8328-08	23
438 8931-75	113	438 9799-12	57	471 8126-29	95	471 8328-09	15
438 8931-76	113	471 2265-69	29	471 8128-54	73	471 8328-09	19
438 8931-78	113	471 2265-69	33	471 8128-59	71	471 8328-09	23
438 8931-79	113	471 2265-69	65	471 8128-62	71	471 8328-11	15
438 8931-81	113	471 2265-69	71	471 8128-73	71	471 8342-13	53
438 8931-82	113	471 2409-89	75	471 8139-01	71	471 8342-15	33
438 8931-85	113	471 2436-10	29	471 8139-11	71	471 8342-23	53
438 8931-86	113	471 2436-10	33	471 8139-16	71	471 8342-47	45
438 8931-87	113	471 2437-15	31	471 8175-01	75	471 8344-35	27
438 8931-88	113	471 2442-41	65	471 8180-10	13	471 8344-36	43
438 8931-89	113	471 2442-42	71	471 8180-10	15	471 8346-02	63
438 8931-90	113	471 2464-18	71	471 8180-10	19	471 8346-09	63
438 8931-91	113	471 2937-01	95	471 8180-10	25	471 8356-05	49
438 8932-04	113	471 4391-02	93	471 8195-01	89	471 8356-06	49
438 8932-05	113	471 4672-67	27	471 8196-01	27	471 8356-08	49
438 8932-06	113	471 4673-93	69	471 8199-01	75	471 8356-10	49
438 8932-07	113	471 4673-95	63	471 8210-70	85	471 8356-14	49
438 8932-25	113	471 4673-97	63	471 8210-70	87	471 8376-01	107
438 8932-27	113	471 4835-01	71	471 8210-71	85	471 8376-99	107
438 8932-32	113	471 6858-82	93	471 8210-71	87	471 8404-02	41
438 9210-60	115	471 6858-83	93	471 8210-78	85	471 8413-01	7
438 9212-90	115	471 7565-21	27	471 8210-78	87	471 8413-01	11
438 9212-91	115	471 7565-21	33	471 8210-79	85	471 8413-01	13
438 9515-01	93	471 7705-02	51	471 8210-79	87	471 8413-01	15
438 9561-01	45	471 7705-03	51	471 8215-01	91	471 8413-01	19
438 9562-01	13	471 7711-06	51	471 8215-03	91	471 8413-01	23
438 9563-01	15	471 7711-07	51	471 8234-52	83	471 8458-02	27
438 9563-01	19	471 7711-12	51	471 8234-64	83	471 8458-02	41
438 9563-01	23	471 7711-13	51	471 8236-76	79	471 8502-00	49
438 9565-01	7	471 7788-10	59	471 8236-76	81	471 8502-10	49
438 9565-01	11	471 7807-02	7	471 8236-78	79	471 8502-14	39
438 9566-01	11	471 7807-02	11	471 8236-78	81	471 8502-14	49
438 9569-01	7	471 7807-02	13	471 8236-79	79	471 8502-34	7
438 9569-01	11	471 7807-02	15	471 8236-79	81	471 8502-34	11
438 9569-01	13	471 7807-02	19	471 8240-63	77	471 8502-34	13
438 9569-01	15	471 7807-02	23	471 8240-63	83	471 8502-34	15
438 9569-01	19	471 7818-01	89	471 8240-63	85	471 8502-34	19
438 9569-01	23	471 7826-10	27	471 8240-63	87	471 8502-34	23
438 9572-01	13	471 7826-10	33	471 8240-64	81	471 8527-01	43
438 9573-01	15	471 7859-12	67	471 8240-67	81	471 8555-03	7
438 9573-01	19	471 7859-16	67	471 8240-68	81	471 8555-03	11
438 9573-01	23	471 7864-01	29	471 8240-69	83	471 8555-03	13
438 9636-22	67	471 7871-04	75	471 8240-69	85	471 8555-03	15
438 9636-23	67	471 7871-04	89	471 8240-69	87	471 8555-03	19
438 9636-24	67	471 7871-07	71	471 8243-07	71	471 8555-03	23
438 9636-92	67	471 7871-07	91	471 8243-08	71	471 8624-01	95
438 9636-93	67	471 7871-07	93	471 8243-09	71	471 8641-02	27
438 9636-94	67	471 7871-08	75	471 8243-10	71	471 8641-02	31
438 9659-01	63	471 7887-01	71	471 8279-03	95	471 8644-02	75
438 9678-01	67	471 7958-02	103	471 8279-08	95	471 8688-13	75
438 9678-02	67	471 7960-02	69	471 8322-03	53	471 8688-13	89
438 9678-03	67	471 7960-02	103	471 8323-01	37	471 8693-21	75
438 9678-04	67	471 7960-02	105	471 8328-02	37	471 8695-01	95

Numerical index/Numerical index

Art.No/Réf. article	Page/Page	Art.No/Réf. article	Page/Page	Art.No/Réf. article	Page/Page	Art.No/Réf. article	Page/Page
471 8697-01	95	471 9829-22	19	725 2461-51	7		
471 8750-11	69	471 9829-22	23	725 2461-51	11		
471 8750-16	69	471 9829-23	19	725 2461-51	13		
471 8767-01	67	471 9829-23	23	725 2461-51	15		
471 8767-02	67	471 9832-13	11	725 2461-51	19		
471 8768-02	57	471 9832-15	11	725 2461-51	23		
471 8783-01	67	471 9835-01	7	725 2464-51	7		
471 8783-03	67	471 9835-11	11	725 2464-51	11		
471 8783-04	67	472 5792-01	59	725 2464-51	13		
471 8826-01	49	472 5792-02	59	725 2464-51	15		
471 8827-01	49	472 5792-10	59	725 2464-51	19		
471 8861-01	65	472 5793-01	59	725 2464-51	23		
471 8861-02	29	472 6760-01	93	725 2465-71	7		
471 8861-02	33	472 6761-01	75	725 2465-71	11		
471 8863-01	65	472 9768-01	37	725 2465-71	13		
471 8910-90	113	472 9900-99	27	725 2465-71	15		
471 9219-65	91	472 9900-99	33	725 2465-71	19		
471 9222-59	39	472 9904-97	63	725 2465-71	23		
471 9608-01	99	472 9904-98	7	731 2312-01	113		
471 9628-32	101	472 9904-98	11	732 2116-42	89		
471 9628-70	101	472 9904-98	13	732 2118-01	7		
471 9628-71	101	472 9904-98	15	732 2118-01	11		
471 9628-75	101	472 9904-98	19	732 2118-01	13		
471 9678-94	69	472 9904-98	23	732 2118-01	15		
471 9821-01	7	472 9913-03	7	732 2118-01	19		
471 9821-04	7	472 9913-04	11	732 2118-01	23		
471 9821-05	7	472 9913-05	13	732 2118-01	39		
471 9821-06	7	472 9913-06	15	732 2118-01	51		
471 9821-07	7	472 9913-07	19	732 2118-01	53		
471 9821-08	7	472 9913-08	7	732 2122-01	51		
471 9821-11	11	472 9913-08	11	734 1153-09	89		
471 9821-12	11	472 9913-08	19	734 1178-01	49		
471 9821-13	11	472 9913-08	23	735 2153-01	27		
471 9821-14	11	472 9913-09	13	735 3133-00	39		
471 9821-15	11	472 9913-10	15	735 3139-00	39		
471 9821-99	7	472 9913-10	19	735 3144-00	39		
471 9821-99	11	472 9913-11	13	735 3147-00	39		
471 9822-99	13	472 9913-11	15	735 9370-01	39		
471 9822-99	17	472 9913-12	37	735 9501-01	39		
471 9822-99	21	472 9913-13	37	735 9630-01	39		
471 9822-99	25	472 9913-17	37	736 2816-51	75		
471 9827-01	13	472 9913-18	37	736 2816-51	93		
471 9827-02	13	472 9913-19	37	736 2825-51	71		
471 9827-03	13	472 9913-33	23	736 2825-51	75		
471 9827-04	13	472 9913-63	23	736 2825-51	93		
471 9827-11	15	472 9913-64	37	736 2831-51	71		
471 9827-12	15	472 9919-30	105	736 2837-51	71		
471 9827-13	15	472 9919-31	105	736 2837-51	75		
471 9827-21	19	472 9919-32	105	736 2837-51	91		
471 9827-21	23	472 9919-33	105	736 2837-51	93		
471 9827-22	19	472 9920-01	41	736 2840-51	71		
471 9827-22	23	472 9920-02	41	736 2840-51	93		
471 9827-23	19	472 9929-01	55	736 2846-51	71		
471 9827-23	23	472 9929-02	55	736 2846-51	75		
471 9827-24	19	472 9929-03	55	736 2846-51	91		
471 9827-24	23	472 9929-04	55	736 2849-51	93		
471 9828-01	7	472 9929-19	57	740 4206-00	75		
471 9828-11	11	472 9929-22	57	741 5109-25	75		
471 9829-01	13	472 9929-25	57	744 3113-06	95		
471 9829-02	13	472 9929-31	55	762 1182-10	69		
471 9829-04	13	472 9929-32	55	877 5211-08	75		
471 9829-11	15	472 9938-01*	57				
471 9829-12	15	472 9938-02*	57				
471 9829-13	15	472 9938-03*	57				
471 9829-21	19	487 1702-45	67				
471 9829-21	23	725 2366-61	41				

Numerical index/Numerical index

Art.No/Réf. article	Page/Page	Art.No/Réf. article	Page/Page	Art.No/Réf. article	Page/Page	Art.No/Réf. article	Page/Page

WASCOMAT

461 Doughty Blvd., Inwood, L.I., N.Y. 11096-0338

Telephone: 516-371-4400

Parts and Service FAX: 516-371-4029

Sales and Administration FAX: 516-371-4204