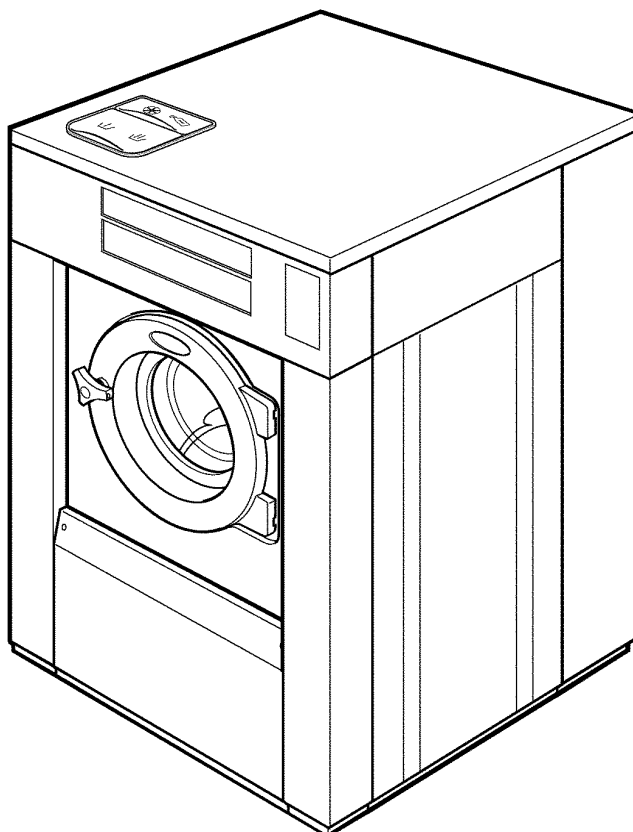


See service information at end of manual

WASCOMAT

Spare Parts Catalogue

Catalogue de pièces de rechange



EX630c/s

Washer extractor

Laveuses essoreuses

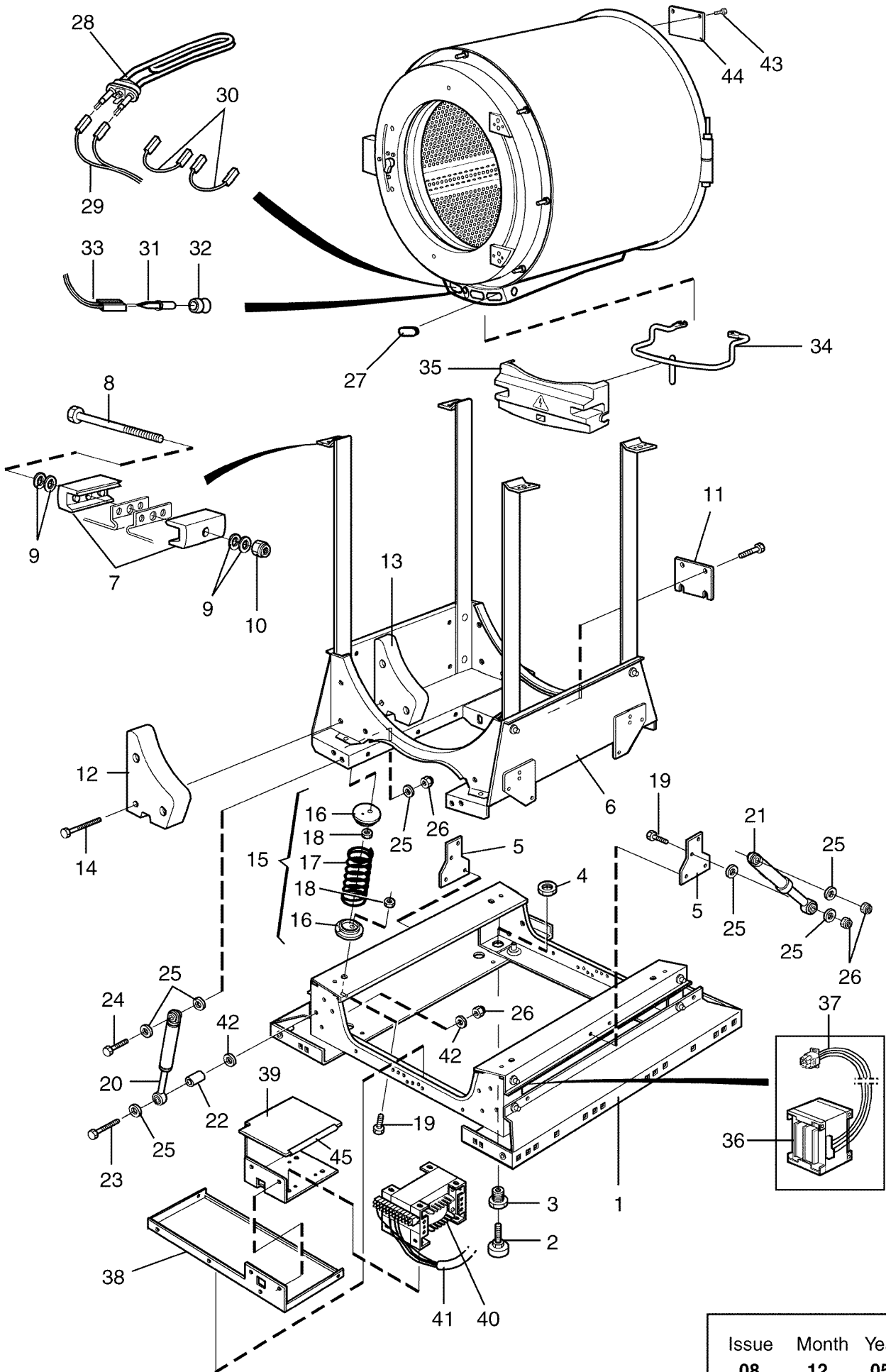
List of issues

EX630c,EX630s

Illustration	Page	Table of contents
101758	17	Motor
101760	11	Drum, rear gable
101764	29	Electrical components Exacta
101765	41	Electrical components Clarus
101766	43	Motor control
101767	55	Drain valve and hoses
101768	47	Water connections
101769	25	Control panel Exacta
101770	27	Control panel Clarus
101771	61	Detergent container
101772	53	Drain valve
101776	15	Door lock
101779	49	Inlet valves and cable set
101780	51	Inlet valves and cable set
101785	13	Door and hinged joint
101786	7	Base and outer drum
101791	45	Electric components connection
101914	67	Lubrication
101918	59	Steam components
101922	65	Out of balance switch
101924	57	Drain valve, electrical
101928	31	Electrical components Exacta
101931	63	Spray system
101960	9	Lining and top panel
101969	77	Technical documentation
101983	71	Coin meter with slot locking device
102107	73	CMIS

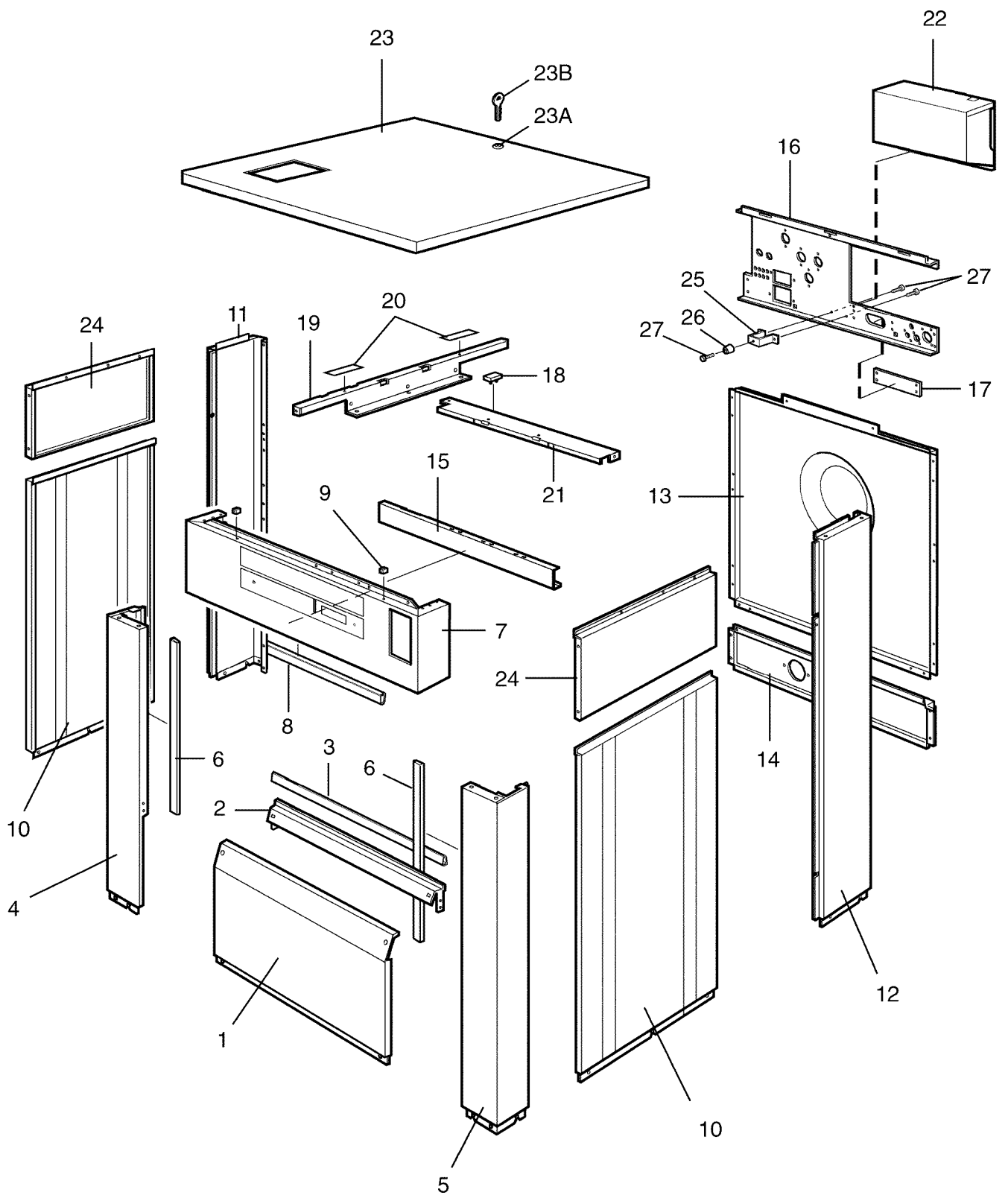
EX630c,EX630s

Table of contents	Table des matières	Page/Page
Base and outer drum	Base et tambour externe	7
Lining and top panel	Panneau frontal avec pupitre de commande	9
Drum, rear gable	Tambour, pignon arrière	11
*Door and hinged joint	Assemblage articulé et plaque	13
Door lock	Serrure de porte	15
Motor	Moteur	17
Control panel Exacta	Pupitre de commande Exacta	25
Control panel Clarus	Pupitre de commande Clarus	27
Electrical components Exacta	Composants électriques Exacta	29
Electrical components Exacta	Composants électriques Exacta	31
Electrical components Clarus	Composants électriques Clarus	41
*Motor control	Variateur de vitesse	43
Electric components connection	Composants électriques raccordement électrique	45
Water connections	Raccords d'eau	47
Inlet valves and cable set	Inlet valves and cable set	49
Inlet valves and cable set	Inlet valves and cable set	51
Drain valve	Vanne de vidange	53
Drain valve and hoses	Purgeur et flexible	55
Drain valve, electrical	Drain valve, electrical	57
Steam components	Composants	59
Detergent container	Compartiment à savon	61
Spray system	Assemblage articulé et plaque	63
Out of balance switch	Commutateur asymétrique	65
Lubrication	Lubrification	67
*Coin meter with slot locking device	Coin meter with slot locking device	71
CMIS	CMIS	73
Technical documentation	Documentation technique	77



Issue	Month	Year
08	12	05

EX630c,EX630s				Illustration	Issue	Month	Year
Base and outer drum				Schéma	Issue	Month	Year
Base et tambour externe				101786/8	11	2	2006
Item	Qua.	Art.No	Description	Description	Info	Notes	
Article	Qua.	Réf. article			Info	Remarques	
1	1	432 1311-01	Frame	Base	3	Lower	
2	4	438 8156-01	•Foot	•Pied	3	M10	
3	4	432 1458-01	•Bushing	•Douille	3	M10	
4	4	471 8413-01	•Nut	•Écrou	3	M20	
5	2	432 1470-01	•Bracket	•Support de montage	3	Middle	
6	1	432 1312-02	Frame	Base	3	Upper	
7	4	432 1453-01	•Tensioner	•Crochet	3		
8	2	725 2465-71	•Screw	•Vis	3	M8X70	
9	8	471 7807-02	•Tension plate	•Tôle de serrage	3	18x8,4x2	
10	2	732 2118-01	•Locking nut	•Contre-écrou	3	M8	
11	1	432 1650-01	•Bracket	•Support de montage	3		
12	2	432 1306-01	•Counterweight	•Contrepoids	3		
13	2	432 1307-01	•Counterweight	•Contrepoids	3		
14	6	471 8328-08	•Screw	•Vis	3	M10X80	
15	1	472 9913-05	Suspension	Ressorts de suspension	1	Kit compl.	
16	8		•Spring retainer	•Ressort de retenue			
17	4		•Spring	•Ressort			
18	8		•Nut	•Écrou			
19	12	471 8328-05	Screw	Vis	3	M8X20	
20	1	472 9913-09	Shock absorber	Frotteurs	1	Complete kit, 4 pcs	
21	1	472 9913-11	Shock absorber	Frotteurs	1	Complete kit, 2 pcs	
22	8	471 8555-03	Bushing	Douille	3		
23	8	725 2464-51	Screw	Vis	3	M8X65	
24	16	725 2461-51	Screw	Vis	3	M8X50	
25	18	471 8502-34	Washer	Rondelle	3	8,4x24x2	
26	12	732 2118-01	Locking nut	Contre-écrou	3	M8	
27	3	471 9822-99	Plug	Fiche	3		
28	3	471 9822-01	Heating element	Elément chauffant	1,2	4,33kW 240V -650/23204	
	3	471 9827-01	Heating element	Élément de chauffage	1,2	4.33kW 240V 650/23205-	
	3	471 9822-02	Heating element	Élément chauffant	1,2	4,33kW 254V -650/23204	
	3	471 9827-02	Heating element	Élément de chauffage	1,2	4.33kW 254V 650/23205-	
	3	471 9822-03	Heating element	Elément chauffant	1,2	1,6kW 240V -650/23204	
	3	471 9827-03	Heating element	Élément de chauffage	1,2	1.6kW 240V 650/23205-	
	3	471 9822-04	Heating element	Elément chauffant	1,2	4,33kW 277V -650/23204	
	3	471 9827-04	Heating element	Élément de chauffage	1,2	4.33kW 277V 650/23205-	
	3	471 9823-21	Heating element	Elément chauffant	1,2	3,1kW 230V MOP -650/23204	
29	1	432 2951-03	Cable set	Jeu de câbles	3	400V -650/23204	
	1	413 2965-12	Cable set	Jeu de câbles	3	400V 650/23205-	
	1	413 2965-13	Cable set	Jeu de câbles	3	230V 650/23205-	
	1	432 2952-02	Cable set	Jeu de câbles	3	230V 1AC/230V 3AC -650/23204	
30	1	432 2953-02	Cable set	Jeu de câbles	3	400V -650/23204	
	1	413 2965-11	Cable set	Jeu de câbles	3	400V 650/23205-	
31	1	472 9913-22	Sensor	Capteur	1,2	Complete	
32	1	471 8192-01	•Bushing	•Douille	1		
33	1	432 3082-77	Cable set	Jeu de câbles	3		
34	1	432 1653-01	Clamp	Bride de fixation	3		
35	1	432 1654-01	Cover	Couvercle	3		
36	1	471 9550-54	Transformer	Transformateur	1	200V	
	1	471 9550-59	Transformer	Transformateur	1	356V,380V,415V,440V,480V	
37	1	432 2985-01	Cable set	Jeu de câbles	3		
38	1	432 1418-01	Beam	Poutre	3		
39	1	432 1419-01	Bracket	Pupitre	3		
40	1	438 9562-01	Transformer	Transformateur	1	380-480V	
41	1	432 2977-01	Cable set	Jeu de câbles	3	100-120V	
42	8	471 8502-34	Washer	Rondelle	3	8,4x24x2	
43	8	471 8328-05	Screw	Vis	3	M8X20	
44	1	432 1649-01	Plate	Tableau	3		
45	1	471 8180-10	Strip	Ruban	3		



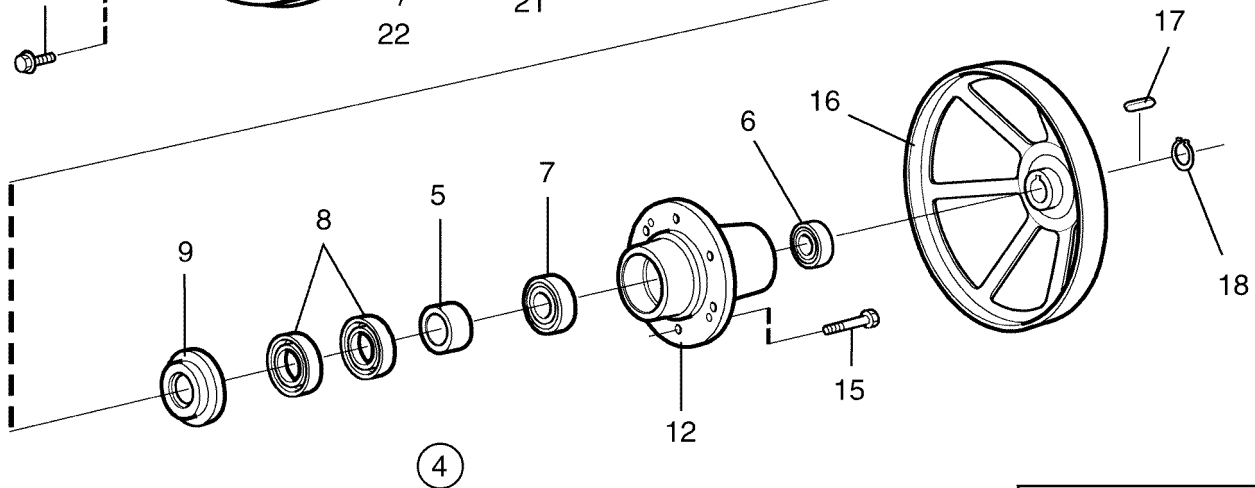
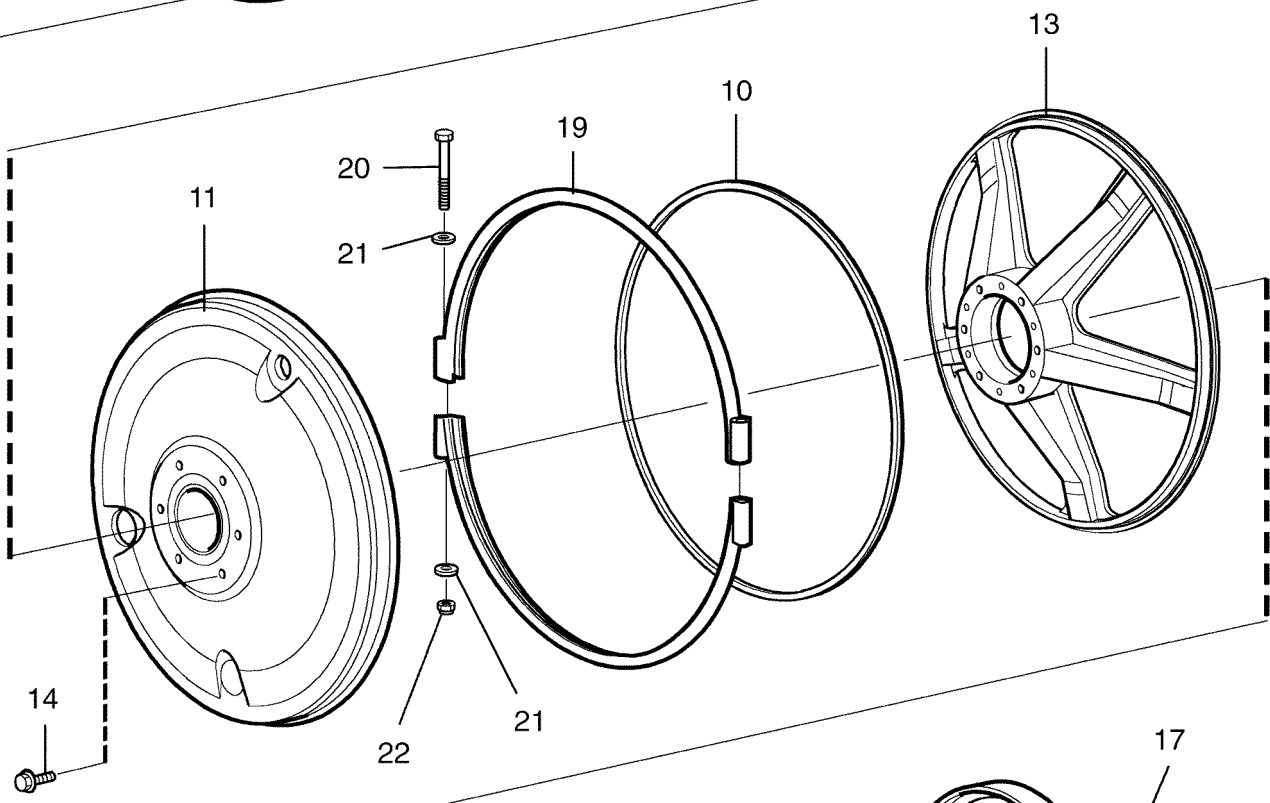
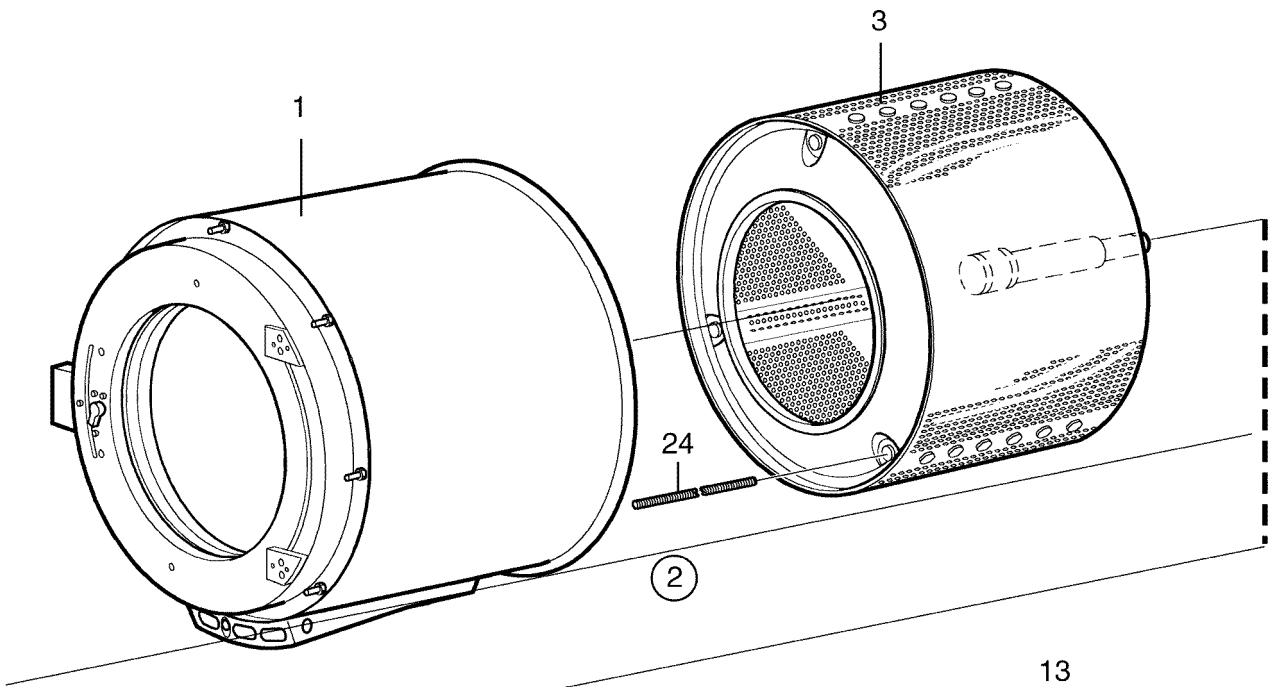
EX630c,EX630s

Lining and top panel

Panneau frontal avec pupitre de commande

Illustration Issue Month Year
Schéma Issue Month Year
101960/4 7 4 2006

Item Article	Qua. Qua.	Art.No Réf. article	Description	Description	Info Info	Notes Remarques
1	1	432 2002-01	Front plate	Panneau avant	3	Stainless
2	1	432 2135-01	Brace	Montant	3	
3	1	432 2163-13	Rubber strip	Joint caoutchouc	3	L=760
4	1	432 2050-01	Pillar	Montant	3	Stainless Left
5	1	432 2050-02	Pillar	Montant	3	Stainless Right
6	2	432 2163-11	Rubber strip	Joint caoutchouc	3	L=690
7	3	471 8342-15	Screw	Vis	3	
8	1	432 2163-13	Rubber strip	Joint caoutchouc	3	L=760
9	2	438 5335-01	Guide	Guide	3	
10	2	432 2032-01	Side panel	Panneau latéral	3	Grey
	2	432 2032-02	Side panel	Panneau latéral	3	White
	2	432 2032-10	Side panel	Panneau latéral	3	Stainless
11	1	432 2033-01	Side panel	Panneau latéral	3	Grey Left
	1	432 2033-03	Side panel	Panneau latéral	3	White Left
	1	432 2033-10	Side panel	Panneau latéral	3	Stainless Left
12	1	432 2033-02	Side panel	Panneau latéral	3	Grey Right
	1	432 2033-04	Side panel	Panneau latéral	3	White Right
	1	432 2033-11	Side panel	Panneau latéral	3	Stainless Right
13	1	432 2064-01	Rear panel	Panneau arrière	3	Upper
14	1	432 2065-01	Rear panel	Panneau arrière	3	Lower
15	2	432 2179-01	Brace	Montant	3	
16	1	432 2105-01	Brace bracket	Support de montant	3	
17	1	432 2844-01	Cover plate	Couvercle	3	DS
18	2	471 8641-02	Plug	Fiche	3	
19	1	432 2131-01	Brace	Montant	3	
20	4	471 7565-21	Velcro tape	Bande de serrage	3	
21	1	432 2121-02	Brace	Montant	3	
22	1	432 2170-01	Plate	Cloison	3	
23	1	432 2082-01	Top panel	Couvercle	3	
	1	432 2201-25	Top panel	Couvercle	3	Coin-meter
	1	432 2082-02	Top panel	Couvercle	3	No detergent container
23A	1	471 7826-10	•Lock	•Serrure	1,2	
23B	1	472 9900-99	•Key	•Touche	1,2	SET
24	2	432 2038-01	Side panel	Panneau latéral	3	Grey Upper
	2	432 2038-02	Side panel	Panneau latéral	3	White Upper
	2	432 2038-10	Side panel	Panneau latéral	3	Stainless Upper
25	1	432 2137-01	Bracket	Pupitre	3	
26	1	471 7980-01	Stop	Butoir	3	
27	3	471 8342-15	Screw	Vis	3	



Issue	Month	Year
05	03	06

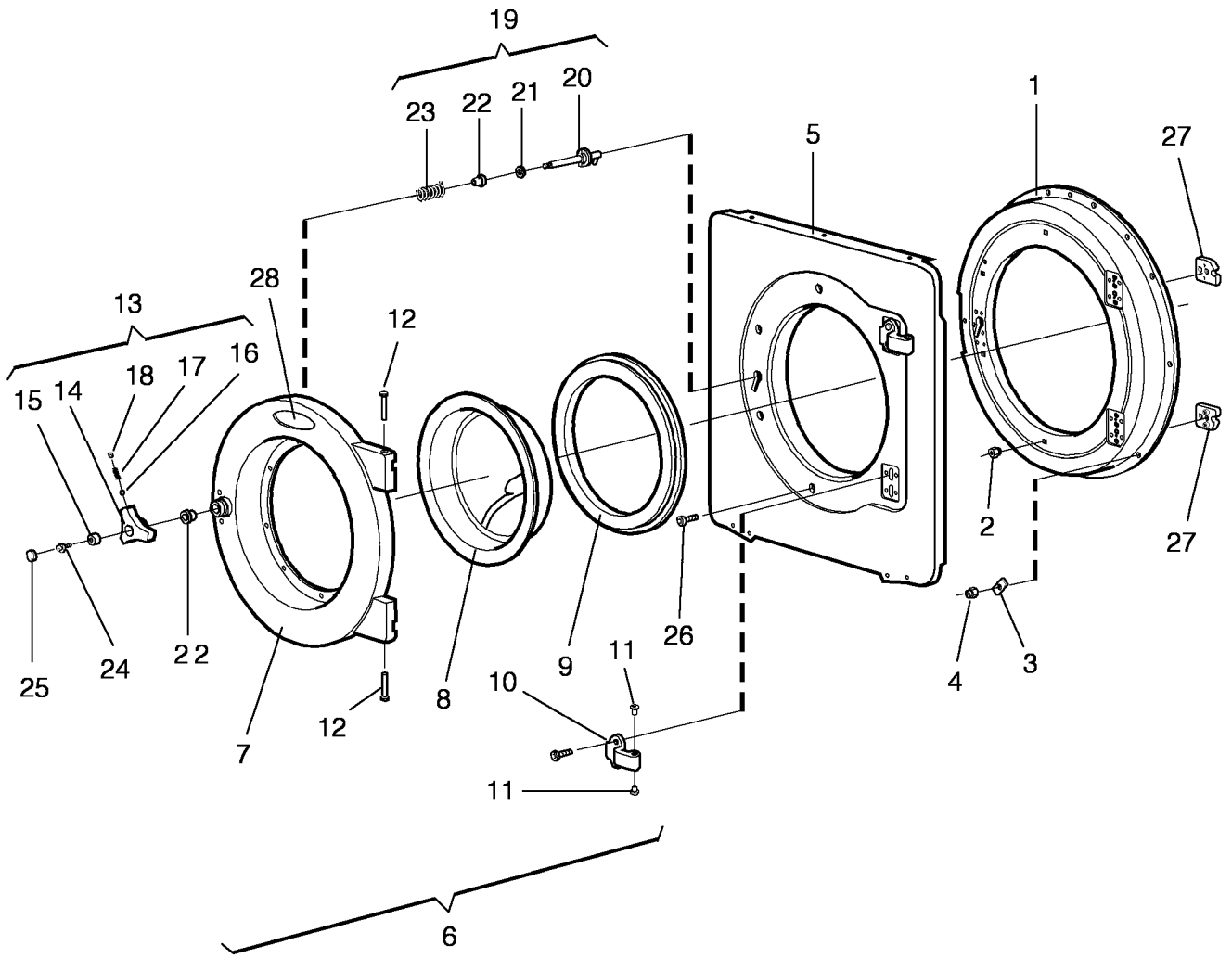
EX630c,EX630s

Drum, rear gable

Tambour, pignon arrière

Illustration Issue Month Year
Schéma Issue Month Year
101760/4 7 5 2004

Item Article	Qua. Qua.	Art.No Réf. article	Description	Description	Info Info	Notes Remarques
1	1	432 1572-01	Outer drum	Tambour extérieur	3	Non-heated
	1	432 1572-02	Outer drum	Tambour extérieur	3	El/Dual heating
	1	432 1572-03	Outer drum	Tambour extérieur	3	Steam
2	1	432 1607-01	Rear gable	Pignon arrière	3	Without lubrication
	1	432 1607-02	Rear gable	Pignon arrière	3	DBS Level tube
	1	432 1607-04	Rear gable	Pignon arrière	3	Level tube
3	1	432 1607-05	Back plate	Pignon arrière	3	DBS
	1	432 1502-01	•Inner drum	•Intérieur du tambour	3	
	1	432 1502-03	•Inner drum	•Intérieur du tambour	3	DBS
4	1	472 9913-17	•Repair kit	•Kit de reconditionnement	1,2	
5	1		••Bushing	••Douille		
6	1		••Ball bearing	••Roulement à billes		
7	1		••Ball bearing	••Roulement à billes		
8	2		••Sealing ring	••Bague d'étanchéité		
9	1		••Sealing ring	••Bague d'étanchéité		
10	1	438 8155-03	••Seal	••Joint		
11	1	432 1547-01	•Lining	•Panneau de renfort	3	
12	1	432 1562-01	•Bearing housing	•Logement de palier	3	
13	1	432 1542-01	•End piece	•Pignon	3	
14	8	471 8323-01	•Screw	•Vis	3	M6X12
15	8	471 8328-02	•Screw	•Vis	3	M12X50
16	1	432 1552-01	•Pulley	•Poulie	3	
17	1	735 9501-01	•Wedge	•Cale	3	14x9x50
18	1	735 3139-00	•C-clamp	•Presse à main	3	SGA 45
19	2	432 1567-01	Tension strap	Extenseur	3	
20	2	471 9222-59	Screw	Vis	3	M8X140
21	4	471 8502-14	Washer	Rondelle	3	BRB 8,4X17
22	2	732 2118-01	Locking nut	Contre-écrou	3	M8



Issue	Month	Year
01	10	02

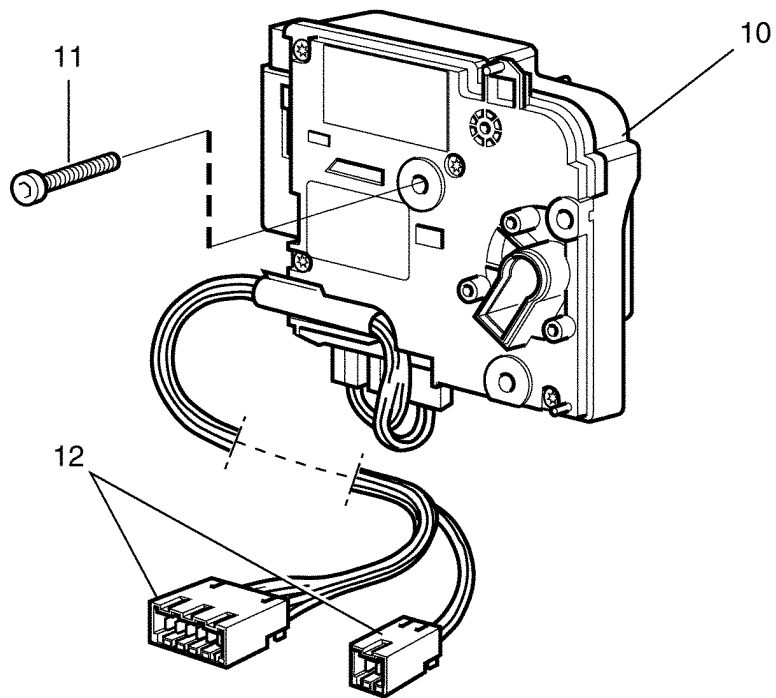
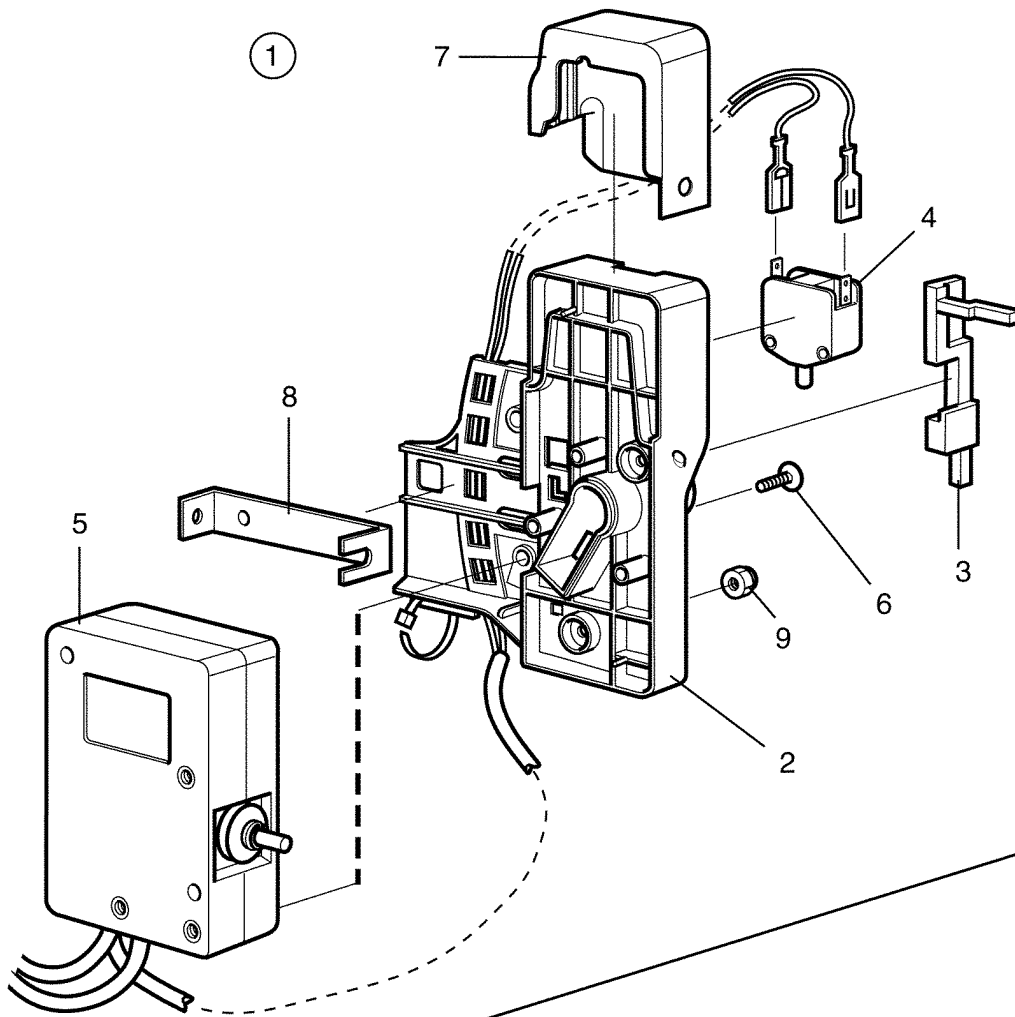
EX630c,EX630s

Door and hinged joint

Assemblage articulé et plaque

Illustration Issue Month Year
Schéma Issue Month Year
101785/1 7 8 2009

Item Article	Qua. Qua.	Art.No Réf. article	Description	Description	Info Info	Notes Remarques
1	1	432 1872-01	Support frame	Panneau de fixation	3	
2	4	471 8458-02	Nut	Écrou	3	M6
3	11	471 8527-01	Spring washer	Rondelle à ressort	3	
4	11	471 8404-02	Locking nut	Contre-écrou	3	M6
5	1	432 1887-01	Trim panel	Plaque de décoration	3	
*	1	432 1887-11	Trim panel	Panneau d'habillage	3	Stainless
6	1	432 4212-01	Door	Plaque	1	
7	1	432 1827-01	•Door	•Plaque	3	
8	1	432 1857-01	•Door glass	•Vitre de la porte	1,2	
	1	432 1857-02	•Door glass	•Vitre de la porte	1,2	Lagoon/ AquaClean
9	1	432 1842-02	•Door gasket	•Joint de porte	1,2	
10	2	432 1950-02	•Hinged joint	•Assemblage articulé	1	
11	4	438 4062-01	•Bushing	•Douille	3	
12	2	432 1962-01	•Pin	•Goupille	3	
13	1	432 1955-01	•Knob	•Bouton de porte	1,2	Complete
14	1		••Knob	••Bouton de porte		
15	1		••Bushing	••Douille		
16	3		••Ball	••Bille		
17	3		••Spring	••Ressort		
18	3	728 8362-11	••Screw	••Vis		
19	1	472 9913-01	•Kit, lock shaft	•Kit réparation de poignée	1,2	
20	1		••Lock shaft	••Axe de verrouillage		
21	1		••Washer	••Rondelle	3	
22	2		••Bushing	••Douille		
23	1		••Torsion spring	••Ressort rotatif		
24	1	725 2366-61	•Screw	•Vis	3	M6SF 6X12
25	1	432 1956-01	•Cover washer	•Rondelle protection	3	
26	8	471 8344-36	Screw	Vis	3	
27	4	432 1951-01	Bracket	Support de montage	3	
28	1	432 2620-01	Sign	Signe	3	
	1	432 2620-02	Sign	Signe	3	Wascomat
	1	432 2620-07	Sign	Signe	3	
	1	432 2620-08	Sign	Signe	3	



Issue	Month	Year
02	08	03

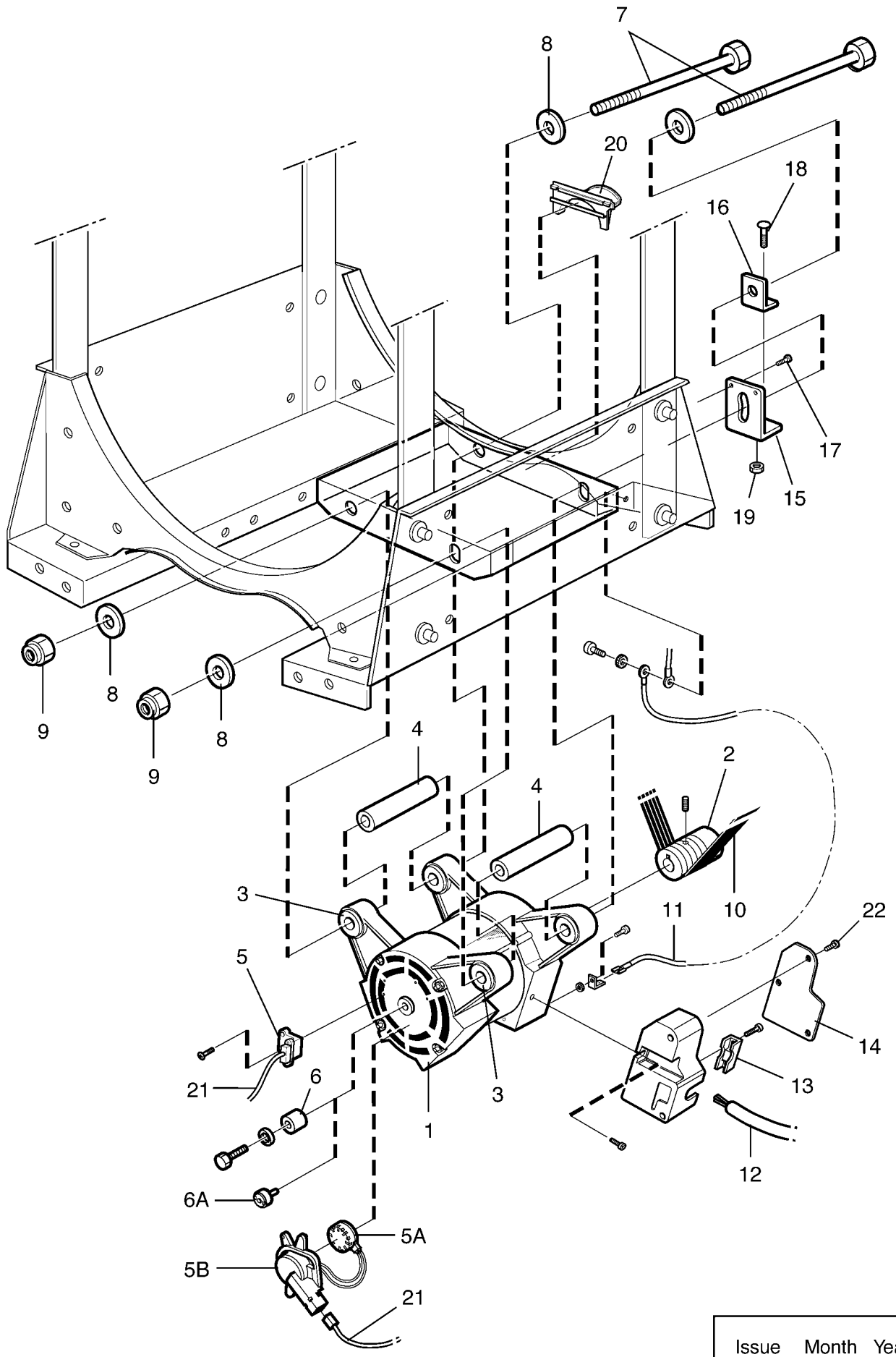
EX630c,EX630s

Door lock

Serrure de porte

Illustration Issue Month Year
Schéma Issue Month Year
101776/2 3 10 2003

Item Article	Qua. Qua.	Art.No Réf. article	Description	Description	Info Info	Notes Remarques
1	1	472 9913-72	Door locking device	Serrure de porte	1,2	CONVERSION KIT -650/12499
2	1		Lock plate	Case de serrure		
3	1		Catch	Dispositif blocage		
4	1	471 9679-01	Microswitch	Microrupteur	1,2	
5	1		Actuator	Actuator		
6	2		Screw	Vis		M5X16
7	1	432 1960-01	Cover	Couvercle	3	
8	1		Plate	Cloison		
9	2		Locking nut	Contre-écrou		M5
10	1	438 9561-01	Door locking device	Serrure de porte	1,2	Complete 650/12500-
11	3	471 8342-47	Screw	Vis	3	M6X25
12	1	432 2905-02	Cable set	Jeu de câbles	3	



Issue	Month	Year
06	06	04

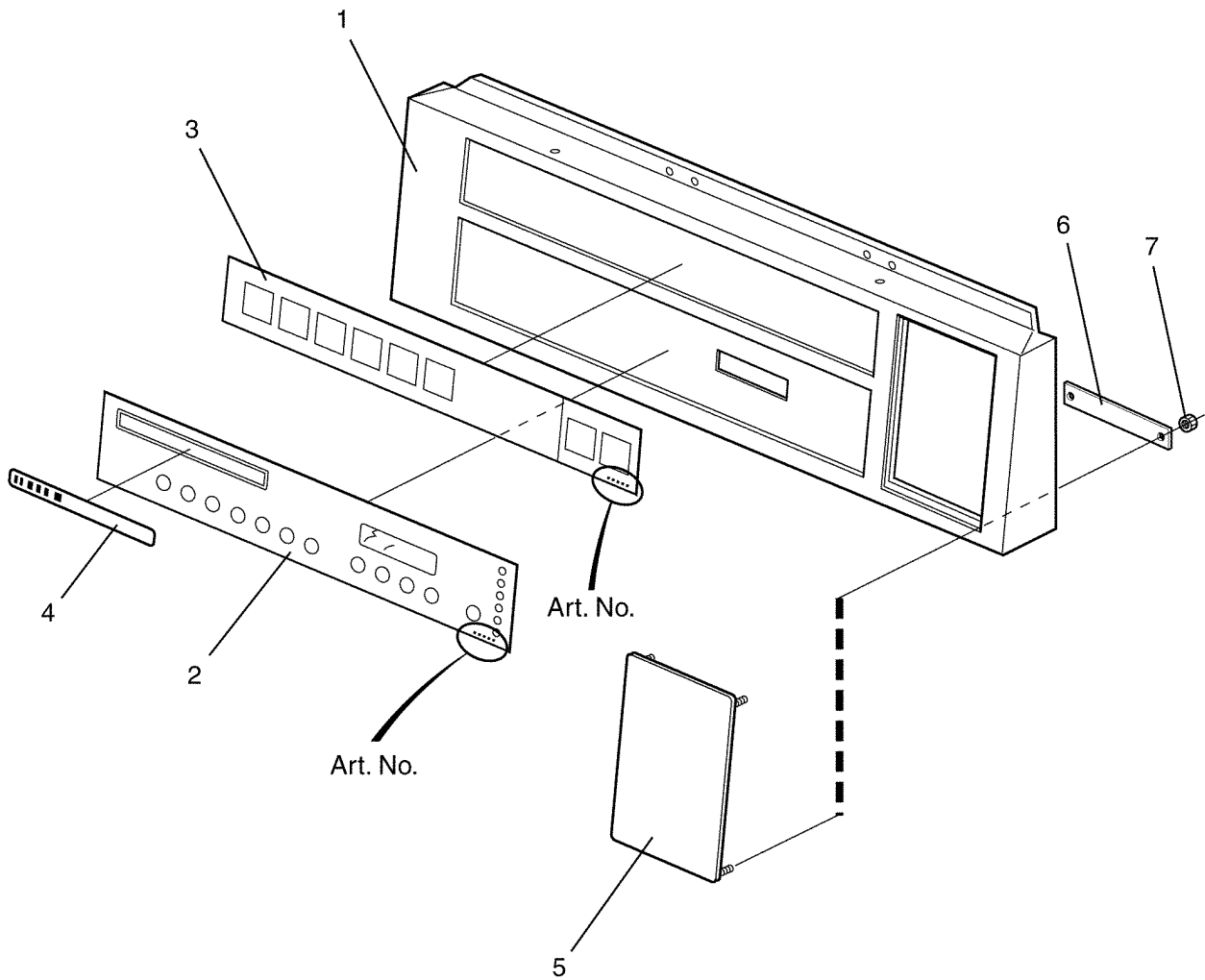
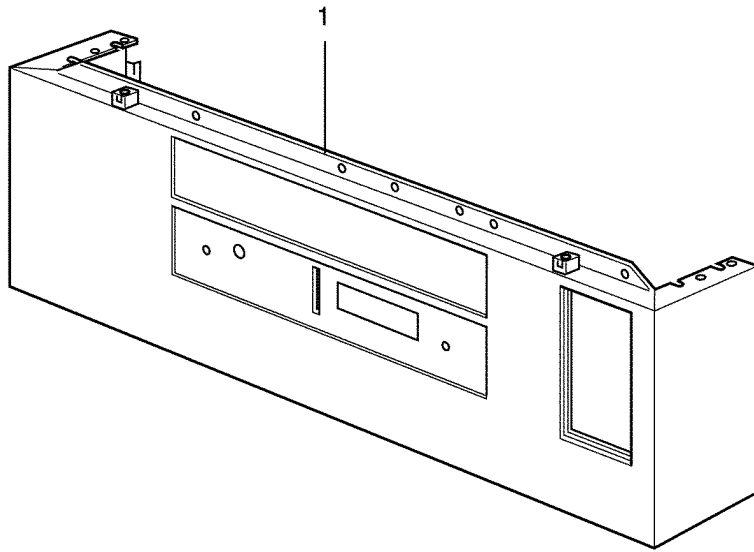
EX630c,EX630s

Motor

Moteur

Illustration Issue Month Year
Schéma Issue Month Year
101758/4 13 7 2008

Item Article	Qua. Qua.	Art.No Réf. article	Description	Description	Info Info	Notes Remarques
1	1	438 9703-01	Motor	Moteur	1,2	Complete -650/14354
	1	438 9703-21	Motor	Moteur	1,2	Complete 650/14355-
2	1		•Pulley	•Poulie	3	
3	4	438 8158-02	•Rubber bushing	•Douille caoutchouc	3	
4	2		•Pipe	•Tube	3	
5	1	472 9913-44	•Sensor	•Capteur	1,2	-650/14354
5A	1	471 8826-01	•Tacho sensor	•Tacho sensor	1,2	650/14355-
5B	1	432 1229-01	•Cover	•Couvercle	3	650/14355-
6	1	432 3905-01	•Magnet	•Aimant	3	-650/14354
6A	1	471 8827-01	•Magnet	•Aimant	3	650/14355-
7	2	471 8356-05	Screw	Vis	3	M12x240
8	4	471 8502-00	Washer	Rondelle	3	
9	2	732 2122-01	Locking nut	Contre-écrou	3	M12
10	1	471 7705-01	Ribbed belt	Courroie poly V	1,2	-650/14354
	1	471 7711-12	Ribbed belt	Courroie poly V	1,2	650/14355-
11	1	432 2982-02	Cable set	Jeu de câbles	3	Terminal block
	1	432 2983-02	Cable set	Jeu de câbles	3	Terminal block
12	1	432 2990-02	Cable set	Jeu de câbles	3	
13	1	438 9799-02	Clamp	Attache	3	
14	1	438 9799-03	Cover	Couvercle	3	
16	1	432 1455-01	Washer	Rondelle	3	
18	1	471 8322-03	Screw	Vis	3	M8X50
19	1	732 2118-01	Locking nut	Contre-écrou	3	M8
21	1	432 3083-36	Cable set	Jeu de câbles	3	-650/14354
	1	432 3082-70	Cable set	Jeu de câbles	3	650/14355-16408
	1	432 3092-70	Cable set	Jeu de câbles	3	650/16409-
22	3	471 8342-13	Screw	Vis	3	MRT-TT 4X10



Issue	Month	Year
03	09	03

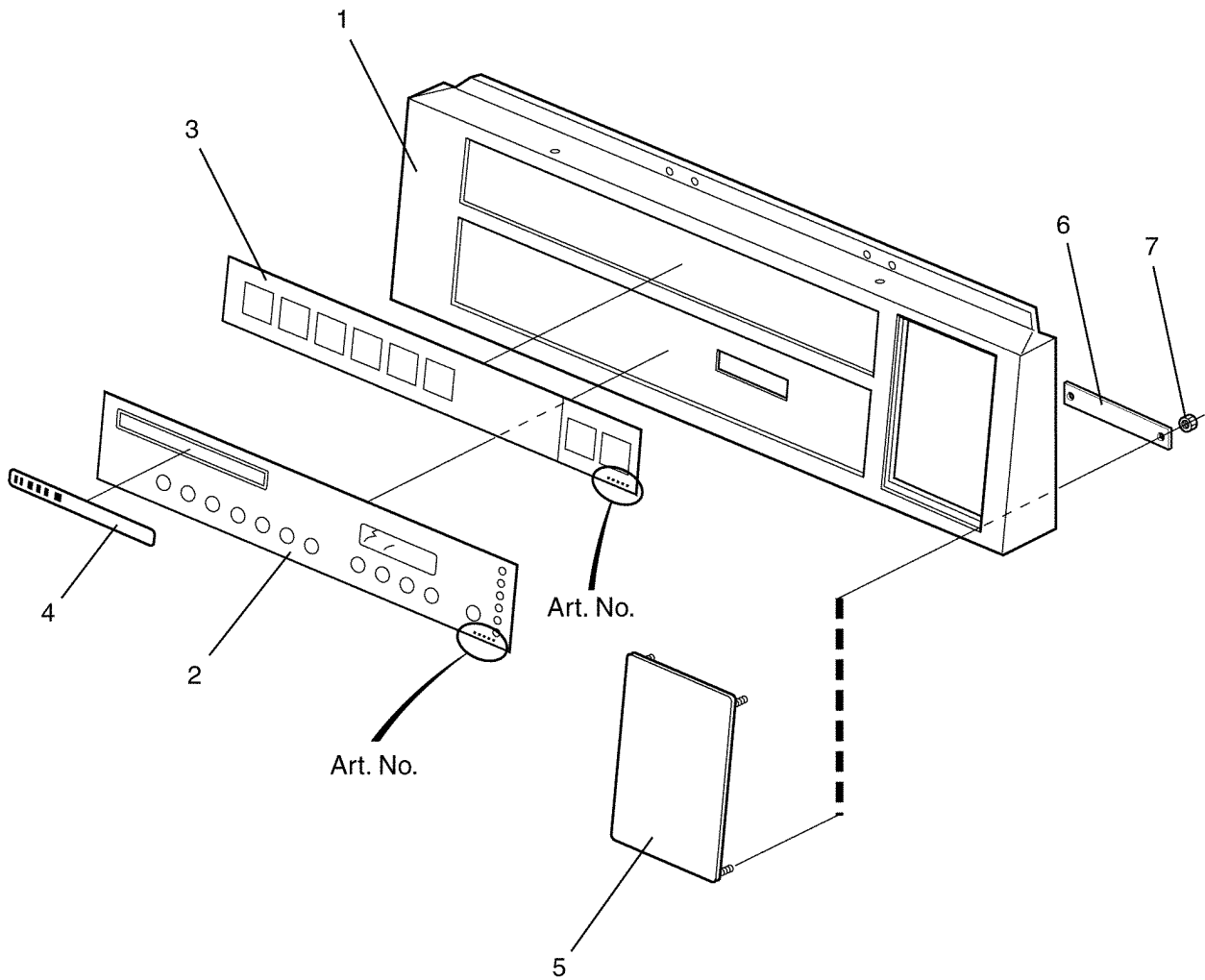
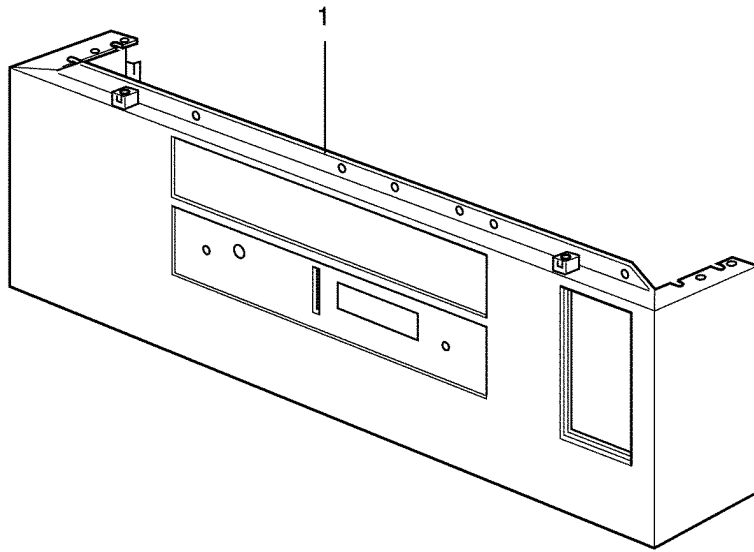
EX630c,EX630s

Control panel Exacta

Pupitre de commande Exacta

Illustration Issue Month Year
Schéma Issue Month Year
101769/3 5 5 2004

Item Article	Qua. Qua.	Art.No Réf. article	Description	Description	Info Info	Notes Remarques
1	1	432 2017-01	Front panel	Panneau avant	3	
2	1	432 2720-01	Panel sign	Voyant du tableau	1	Program 2A01, 2G41
	1	432 2720-02	Panel sign	Voyant du tableau	1	Program 2H11
	1	432 2720-03	Panel sign	Voyant du tableau	1	Program 2G01
	1	432 2720-04	Panel sign	Voyant du tableau	1	Program 2W01, 2H01, 2H02, 2M11, 2F01, 2F02
	1	432 2720-11	Panel sign	Voyant du tableau	1	Program 2L31
	1	432 2720-06	Panel sign	Voyant du tableau	1	Program 2L01, 2L02
	1	432 2720-05	Panel sign	Voyant du tableau	1	Program 2L41
	1	432 2720-08	Panel sign	Voyant du tableau	1	Program 2M01
	1	432 2720-09	Panel sign	Voyant du tableau	1	Program 2H21
	1	432 2720-10	Panel sign	Voyant du tableau	1	Program 2L11, 2L12
	1	432 2720-12	Panel sign	Voyant du tableau	1	Program 2R01
	1	432 2720-13	Panel sign	Voyant du tableau	1	Program 2A11
	1	432 2720-18	Panel sign	Voyant du tableau	1	Program 2C01
3	1	432 2649-03	Instruction plate	Plaque instruction utilisation	3	Program 2G41 Japanese
	1	432 2649-04	Instruction plate	Plaque instruction utilisation	3	Program 2W41 Japanese
	1	432 2649-05	Instruction plate	Plaque instruction utilisation	3	Program 2L41 Japanese
	1	432 2649-06	Instruction plate	Plaque instruction utilisation	3	Program 2L51 Japanese
	1	432 2649-07	Instruction plate	Plaque instruction utilisation	3	Program 2H42 Japanese
	1	432 2649-20	Instruction plate	Plaque instruction utilisation	3	Program 2A01 English
	1	432 2649-21	Instruction plate	Plaque instruction utilisation	3	Program 2M01 French
	1	432 2649-22	Instruction plate	Plaque instruction utilisation	3	Program 2M11, Mop Danish
	1	432 2649-23	Instruction plate	Plaque instruction utilisation	3	Program 2H12 Swedish
	1	432 2649-24	Instruction plate	Plaque instruction utilisation	3	Program 2M12 Swedish
	1	432 2649-25	Instruction plate	Plaque instruction utilisation	3	Program 2C01 Spanish
	1	432 2649-26	Instruction plate	Plaque instruction utilisation	3	Program 2A01 Danish
	1	432 2649-27	Instruction plate	Plaque instruction utilisation	3	Program 2A01 Swedish
	1	432 2649-28	Instruction plate	Plaque instruction utilisation	3	Program 2L01 English
	1	432 2650-02	Instruction plate	Plaque instruction utilisation	3	Program 2A01 Danish
	1	432 2650-03	Instruction plate	Plaque instruction utilisation	3	Program 2H11 Swedish
	1	432 2650-04	Instruction plate	Plaque instruction utilisation	3	Program 2W01, Aqua Clean Swedish
	1	432 2650-05	Instruction plate	Plaque instruction utilisation	3	Program 2L41 Japanese
	1	432 2650-06	Instruction plate	Plaque instruction utilisation	3	Program 2S01, Selecta USA
	1	432 2650-07	Instruction plate	Plaque instruction utilisation	3	Program 2G01 English
	1	432 2650-08	Instruction plate	Plaque instruction utilisation	3	Program 2G01 German
	1	432 2650-09	Instruction plate	Plaque instruction utilisation	3	Program 2G01 French
	1	432 2650-10	Instruction plate	Plaque instruction utilisation	3	Program 2G01 Swedish
	1	432 2650-11	Instruction plate	Plaque instruction utilisation	3	Program 2L31, Emerald USA
	1	432 2650-12	Instruction plate	Plaque instruction utilisation	3	Program 2L01 English
	1	432 2650-13	Instruction plate	Plaque instruction utilisation	3	Program 2M01, Mop English
	1	432 2650-14	Instruction plate	Plaque instruction utilisation	3	Program 2W01, Aqua Clean English
	1	432 2650-16	Instruction plate	Plaque instruction utilisation	3	Program 2H21, Hygienic Danish
1	432 2650-17	Instruction plate	Plaque instruction utilisation	3	Program 2L11, Thermoboost German	
1	432 2650-18	Instruction plate	Plaque instruction utilisation	3	Program 2L12, Laundrette German	
1	432 2650-19	Instruction plate	Plaque instruction utilisation	3	Program 2H02, Selecta Danish	
1	432 2650-20	Instruction plate	Plaque instruction utilisation	3	Program 2H01, Hospital English	
1	432 2650-22	Instruction plate	Plaque instruction utilisation	3	Program 2A01, W3130 Swedish	
1	432 2650-25	Instruction plate	Plaque instruction utilisation	3	Program 2M11, Mop Swedish	
1	432 2650-26	Instruction plate	Plaque instruction utilisation	3	Program 2F01, Farm Swedish	
1	432 2650-27	Instruction plate	Plaque instruction utilisation	3	Program 2R01, QSR Swedish	
1	432 2650-28	Instruction plate	Plaque instruction utilisation	3	Program 2F01, Farm English	



Issue	Month	Year
03	09	03

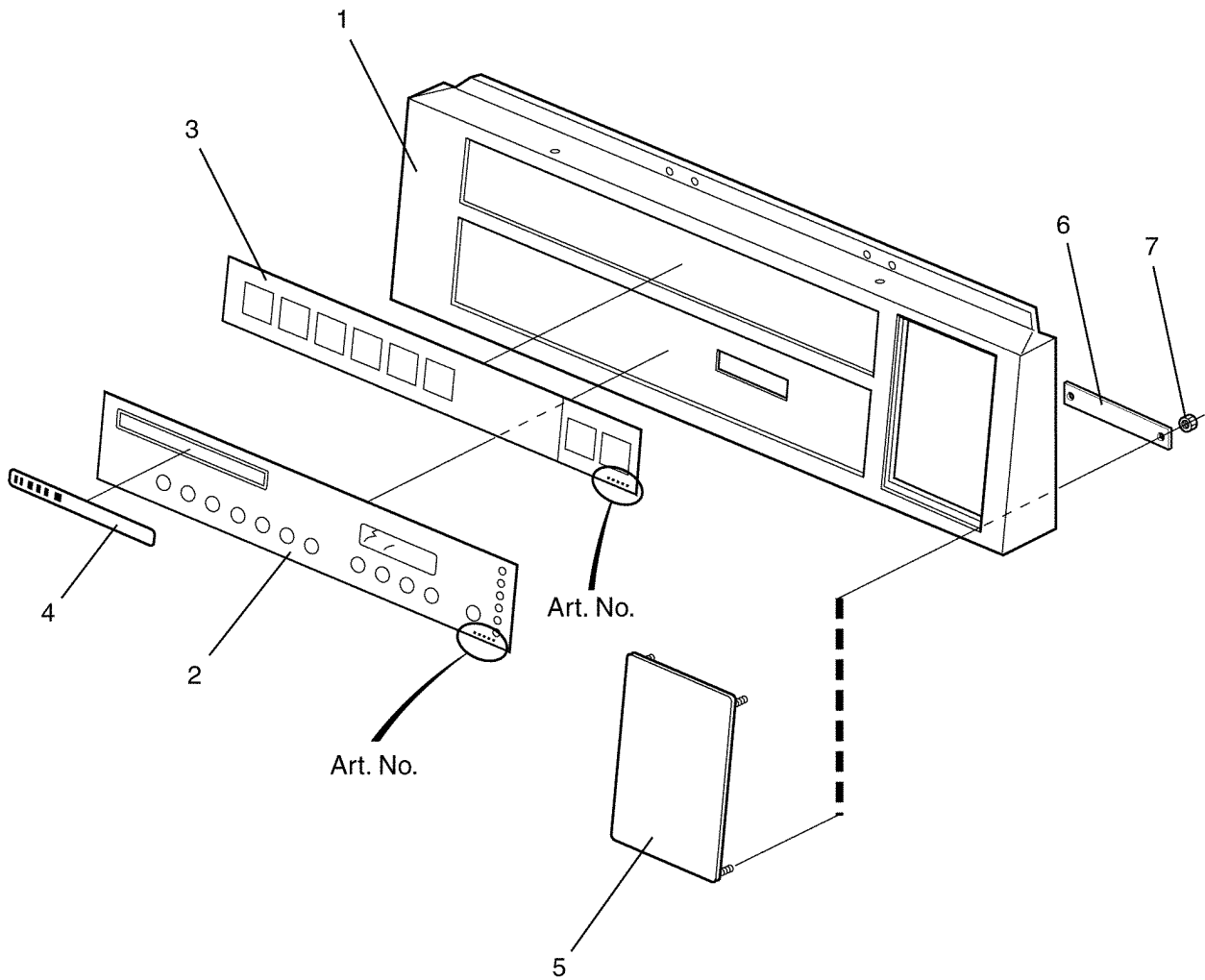
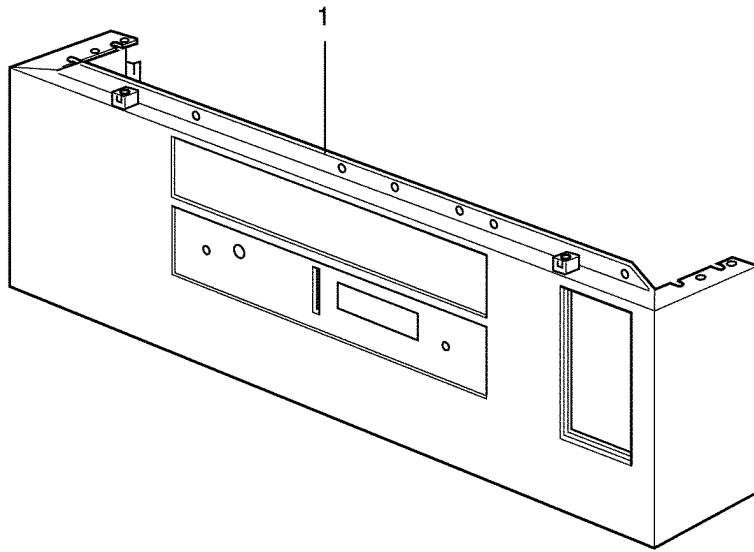
EX630c,EX630s

Control panel Exacta

Pupitre de commande Exacta

Illustration Issue Month Year
Schéma Issue Month Year
101769/3 5 5 2004

Item Article	Qua. Qua.	Art.No Réf. article	Description	Description	Info Info	Notes Remarques
	1	432 2650-29	Instruction plate	Plaque instruction utilisation	3	Program 2R01, QSR English
	1	432 2650-30	Instruction plate	Plaque instruction utilisation	3	Program 2F01, Farm German
	1	432 2650-31	Instruction plate	Plaque instruction utilisation	3	Program 2F02, Westfalla German
	1	432 2650-32	Instruction plate	Plaque instruction utilisation	3	Program 2L01 German
	1	432 2650-33	Instruction plate	Plaque instruction utilisation	3	Program 2M01, Mop German
	1	432 2650-34	Instruction plate	Plaque instruction utilisation	3	Program 2R01, QSR German
	1	432 2650-35	Instruction plate	Plaque instruction utilisation	3	Program 2W01, Aqua Clean German
	1	432 2650-36	Instruction plate	Plaque instruction utilisation	3	Program 2H21, Hygienic, Nyborg English
	1	432 2650-37	Instruction plate	Plaque instruction utilisation	3	Program 2L12, Nyborg English
	1	432 2650-38	Instruction plate	Plaque instruction utilisation	3	Program 2F01, Farm French
	1	432 2650-39	Instruction plate	Plaque instruction utilisation	3	Program 2L01 French
	1	432 2650-40	Instruction plate	Plaque instruction utilisation	3	Program 2L02, Mench French
	1	432 2650-41	Instruction plate	Plaque instruction utilisation	3	Program 2R01, QSR French
	1	432 2650-42	Instruction plate	Plaque instruction utilisation	3	Program 2W01, Aqua Clean French
	1	432 2650-43	Instruction plate	Plaque instruction utilisation	3	Program 2L12 French
	1	432 2650-44	Instruction plate	Plaque instruction utilisation	3	Program 2F01, Farm Italian
	1	432 2650-45	Instruction plate	Plaque instruction utilisation	3	Program 2G01 Italian
	1	432 2650-46	Instruction plate	Plaque instruction utilisation	3	Program 2R01, QSR Italian
	1	432 2651-51	Instruction plate	Plaque instruction utilisation	3	Program 2L01 Italian Zanussi
	1	432 2650-47	Instruction plate	Plaque instruction utilisation	3	Program 2L12 Italian
	1	432 2650-48	Instruction plate	Plaque instruction utilisation	3	Program 2W01, Aqua Clean Italian
	1	432 2650-49	Instruction plate	Plaque instruction utilisation	3	Program 2F01, Farm Spanish
	1	432 2650-50	Instruction plate	Plaque instruction utilisation	3	Program 2G01 Spanish
	1	432 2650-51	Instruction plate	Plaque instruction utilisation	3	Program 2L01 Spanish
	1	432 2650-52	Instruction plate	Plaque instruction utilisation	3	Program 2R01, QSR Spanish
	1	432 2650-53	Instruction plate	Plaque instruction utilisation	3	Program 2W01, Aqua Clean Spanish
	1	432 2650-54	Instruction plate	Plaque instruction utilisation	3	Program 2L12 Spanish
	1	432 2650-55	Instruction plate	Plaque instruction utilisation	3	Program 2F01, Farm Dutch
	1	432 2650-56	Instruction plate	Plaque instruction utilisation	3	Program 2G01 Dutch
	1	432 2650-57	Instruction plate	Plaque instruction utilisation	3	Program 2L01 Dutch
	1	432 2650-58	Instruction plate	Plaque instruction utilisation	3	Program 2L02, Mench Dutch
	1	432 2650-59	Instruction plate	Plaque instruction utilisation	3	Program 2R01, QSR Dutch
	1	432 2650-60	Instruction plate	Plaque instruction utilisation	3	Program 2W01, Aqua Clean Dutch
	1	432 2650-61	Instruction plate	Plaque instruction utilisation	3	Program 2L12, Nyborg Dutch
	1	432 2650-62	Instruction plate	Plaque instruction utilisation	3	Program 2F01, Farm Danish
	1	432 2650-63	Instruction plate	Plaque instruction utilisation	3	Program 2G01 Danish
	1	432 2650-64	Instruction plate	Plaque instruction utilisation	3	Program 2L01 Danish
	1	432 2650-65	Instruction plate	Plaque instruction utilisation	3	Program 2R01, QSR Danish
	1	432 2650-66	Instruction plate	Plaque instruction utilisation	3	Program 2W01, Aqua Clean Danish
	1	432 2650-67	Instruction plate	Plaque instruction utilisation	3	Program 2A01 Finnish
	1	432 2650-68	Instruction plate	Plaque instruction utilisation	3	Program 2F01, Farm Finnish
	1	432 2650-69	Instruction plate	Plaque instruction utilisation	3	Program 2G01 Finnish
	1	432 2650-70	Instruction plate	Plaque instruction utilisation	3	Program 2L01 Finnish
	1	432 2650-71	Instruction plate	Plaque instruction utilisation	3	Program 2M11, Mop Finnish
	1	432 2650-72	Instruction plate	Plaque instruction utilisation	3	Program R01 Finnish
	1	432 2650-73	Instruction plate	Plaque instruction utilisation	3	Program 2W01, Aqua Clean Finnish
	1	432 2650-74	Instruction plate	Plaque instruction utilisation	3	Program 2A01 Norwegian
	1	432 2650-75	Instruction plate	Plaque instruction utilisation	3	Program 2F01, Farm Norwegian
	1	432 2650-76	Instruction plate	Plaque instruction utilisation	3	Program 2G01 Norwegian



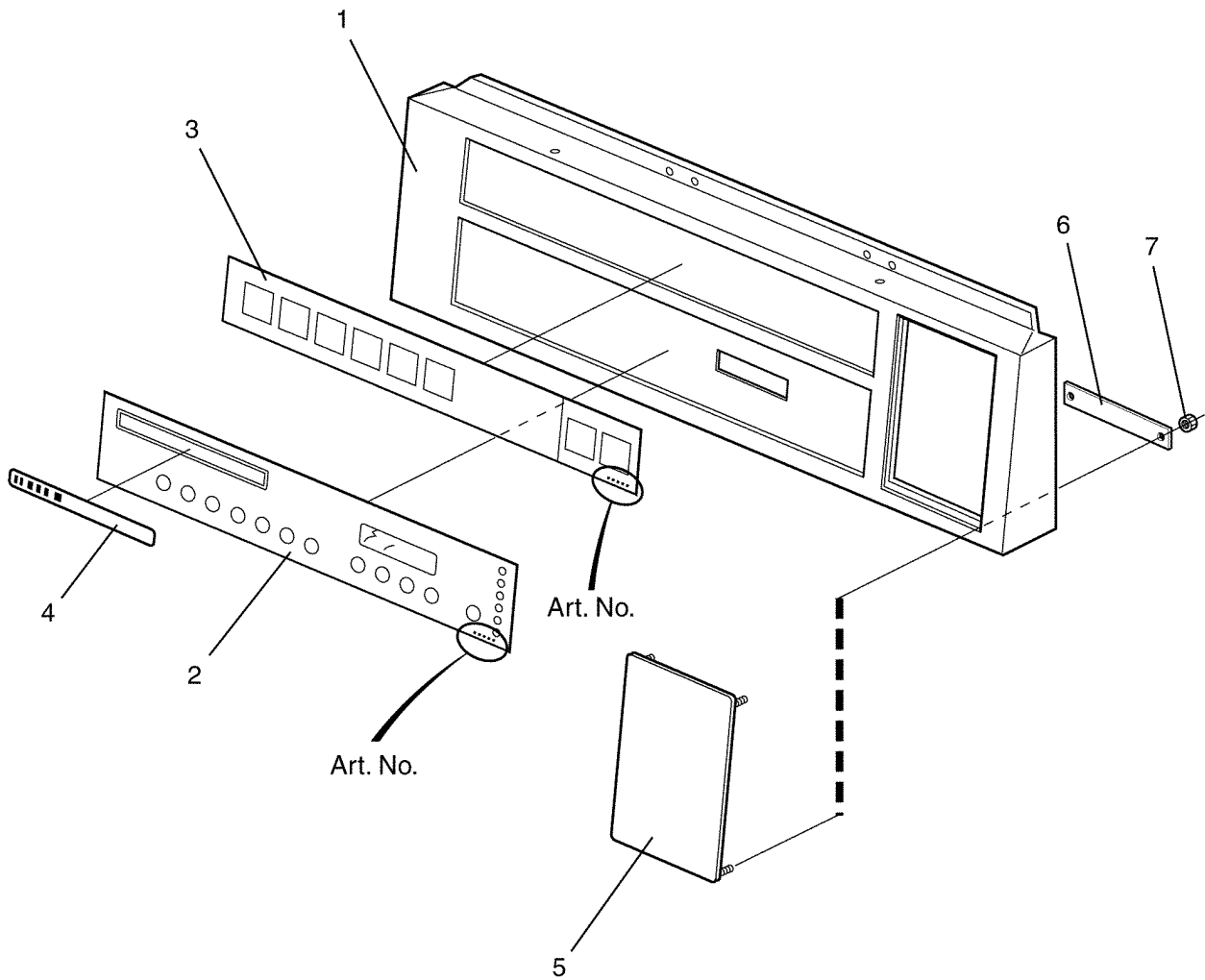
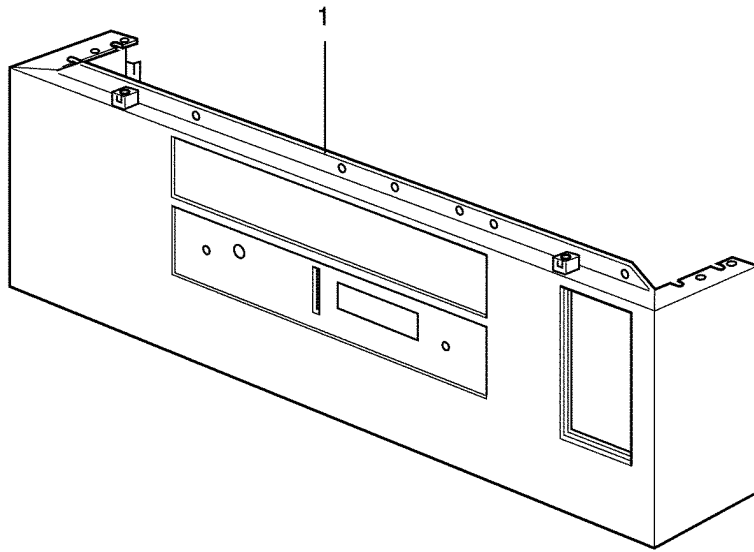
EX630c,EX630s

Control panel Exacta

Pupitre de commande Exacta

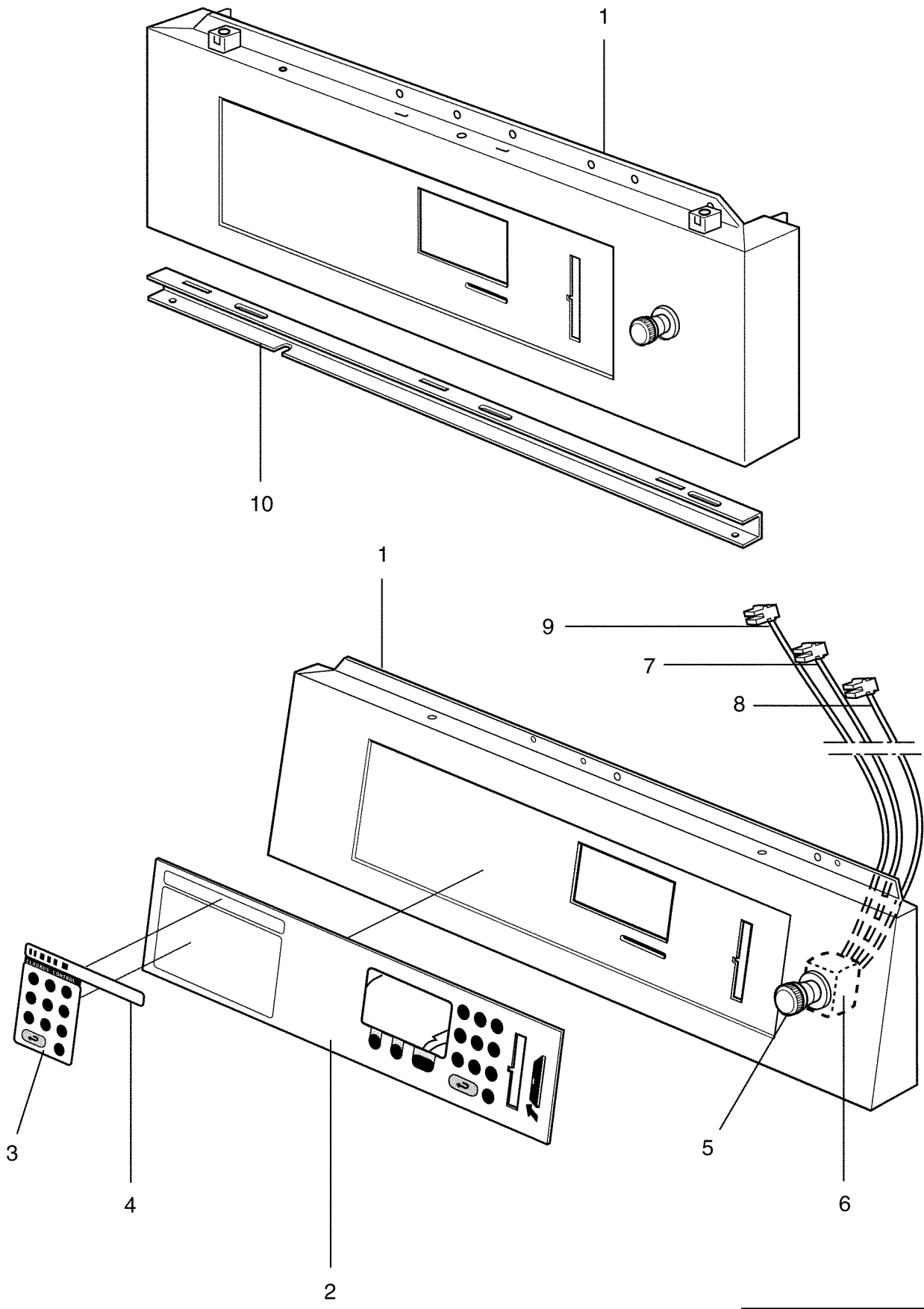
Illustration Issue Month Year
Schéma Issue Month Year
101769/3 5 5 2004

Item Article	Qua. Qua.	Art.No Réf. article	Description	Description	Info Info	Notes Remarques
	1	432 2650-77	Instruction plate	Plaque instruction utilisation	3	Program 2L01 Norwegian
	1	432 2650-78	Instruction plate	Plaque instruction utilisation	3	Program 2M11, Mop Norwegian
	1	432 2650-79	Instruction plate	Plaque instruction utilisation	3	Program 2R01, QSR Norwegian
	1	432 2650-80	Instruction plate	Plaque instruction utilisation	3	Program 2W01, Aqua Clean Norwegian
	1	432 2650-81	Instruction plate	Plaque instruction utilisation	3	Program 2L12, Nyborg Norwegian
	1	432 2650-82	Instruction plate	Plaque instruction utilisation	3	Program 2F01 Polish
	1	432 2650-83	Instruction plate	Plaque instruction utilisation	3	Program 2G01 Polish
	1	432 2650-84	Instruction plate	Plaque instruction utilisation	3	Program 2L01 Polish
	1	432 2650-85	Instruction plate	Plaque instruction utilisation	3	Program 2R01, QSR Polish
	1	432 2650-86	Instruction plate	Plaque instruction utilisation	3	Program 2W01, Aqua Clean Polish
	1	432 2650-87	Instruction plate	Plaque instruction utilisation	3	Program 2L12, Nyborg Polish
	1	432 2650-88	Instruction plate	Plaque instruction utilisation	3	Program 2L31, Emerald Spanish
	1	432 2650-89	Instruction plate	Plaque instruction utilisation	3	Program 2S01, Selecta Spanish
	1	432 2650-90	Instruction plate	Plaque instruction utilisation	3	Program 2L31, Emerald French
	1	432 2650-91	Instruction plate	Plaque instruction utilisation	3	Program 2S01, Selecta French
	1	432 2650-92	Instruction plate	Plaque instruction utilisation	3	Program 2L01 Italian, English
	1	432 2650-93	Instruction plate	Plaque instruction utilisation	3	Program 2A11 Mats/heavy laundry, Swedish
	1	432 2650-94	Instruction plate	Plaque instruction utilisation	3	Program 2A11 Mats/heavy laundry, Danish
	1	432 2650-95	Instruction plate	Plaque instruction utilisation	3	Program 2A11 Mats/heavy laundry, Norwegian
	1	432 2650-96	Instruction plate	Plaque instruction utilisation	3	Program 2A11 Mats/heavy laundry, Finnish
	1	432 2650-97	Instruction plate	Plaque instruction utilisation	3	Program 2F02, Westfalla Swedish
	1	432 2650-98	Instruction plate	Plaque instruction utilisation	3	Program 2H11 Finnish/Swedish
	1	432 2652-04	Instruction plate	Plaque instruction utilisation	3	Program 2A01, W3130 Swedish
	1	432 2652-07	Instruction plate	Plaque instruction utilisation	3	Program 2G01 English
	1	432 2652-08	Instruction plate	Plaque instruction utilisation	3	Program 2L01 English
	1	432 2652-09	Instruction plate	Plaque instruction utilisation	3	Program 2G01 German
	1	432 2652-10	Instruction plate	Plaque instruction utilisation	3	Program 2L01 German
	1	432 2652-11	Instruction plate	Plaque instruction utilisation	3	Program 2L12 German
	1	432 2652-12	Instruction plate	Plaque instruction utilisation	3	Program 2G01 French
	1	432 2652-13	Instruction plate	Plaque instruction utilisation	3	Program 2L01 French
	1	432 2652-14	Instruction plate	Plaque instruction utilisation	3	Program 2L12 French
	1	432 2652-15	Instruction plate	Plaque instruction utilisation	3	Program 2G01 Italian
	1	432 2652-16	Instruction plate	Plaque instruction utilisation	3	Program 2L12 Italian
	1	432 2652-17	Instruction plate	Plaque instruction utilisation	3	Program 2G01 Spanish
	1	432 2652-18	Instruction plate	Plaque instruction utilisation	3	Program 2L01 Spanish
	1	432 2652-19	Instruction plate	Plaque instruction utilisation	3	Program 2L12 Spanish
	1	432 2652-20	Instruction plate	Plaque instruction utilisation	3	Program 2G01 Dutch
	1	432 2652-21	Instruction plate	Plaque instruction utilisation	3	Program 2L01 Dutch
	1	432 2652-22	Instruction plate	Plaque instruction utilisation	3	Program 2L12 Dutch
	1	432 2652-23	Instruction plate	Plaque instruction utilisation	3	Program 2A01 Danish
	1	432 2652-24	Instruction plate	Plaque instruction utilisation	3	Program 2G01 Danish
	1	432 2652-25	Instruction plate	Plaque instruction utilisation	3	Program 2L01 Danish
	1	432 2652-26	Instruction plate	Plaque instruction utilisation	3	Program 2H21 Danish
	1	432 2652-27	Instruction plate	Plaque instruction utilisation	3	Program 2A01 Finnish



Issue	Month	Year
03	09	03

EX630c,EX630s							
Control panel Exacta				Illustration	Issue	Month	Year
Pupitre de commande Exacta				Schéma	Issue	Month	Year
				101769/3	5	5	2004
Item Article	Qua. Qua.	Art.No Réf. article	Description	Description	Info Info	Notes Remarques	
	1	432 2652-28	Instruction plate	Plaque instruction utilisation	3	Program 2G01 Finnish	
	1	432 2652-29	Instruction plate	Plaque instruction utilisation	3	Program 2L01 Finnish	
	1	432 2652-30	Instruction plate	Plaque instruction utilisation	3	Program 2A01 Norwegian	
	1	432 2652-31	Instruction plate	Plaque instruction utilisation	3	Program 2G01 Norwegian	
	1	432 2652-32	Instruction plate	Plaque instruction utilisation	3	Program 2L01 Norwegian	
	1	432 2652-33	Instruction plate	Plaque instruction utilisation	3	Program 2L12 Norwegian	
	1	432 2652-34	Instruction plate	Plaque instruction utilisation	3	Program 2G01 Polish	
	1	432 2652-35	Instruction plate	Plaque instruction utilisation	3	Program 2L01 Polish	
	1	432 2652-36	Instruction plate	Plaque instruction utilisation	3	Program 2L12 Polish	
	1	432 2652-37	Instruction plate	Plaque instruction utilisation	3	Program 2L01 Italian	
	1	432 2652-38	Instruction plate	Plaque instruction utilisation	3	Program 2L11 German	
	1	432 2652-39	Instruction plate	Plaque instruction utilisation	3	Program 2A01 Danish	
	1	432 2652-40	Instruction plate	Plaque instruction utilisation	3	Program 2A01 Swedish	
	1	432 2652-41	Instruction plate	Plaque instruction utilisation	3	Program 2L01 English	
4	1	432 2603-01	Type plate	Numéro série plaque	3	W3130H	
	1	432 2603-40	Type plate	Numéro série plaque	3	FAS130H	
	1	432 2603-51	Type plate	Numéro série plaque	3	EX630s	
5	1	432 2150-01	Cover plate	Couvercle	3		
6	2	432 2181-01	Bracket	Support de montage	3		
7	4	732 2112-01	Locking nut	Contre-écrou	3	M4	



Issue	Month	Year
02	09	03

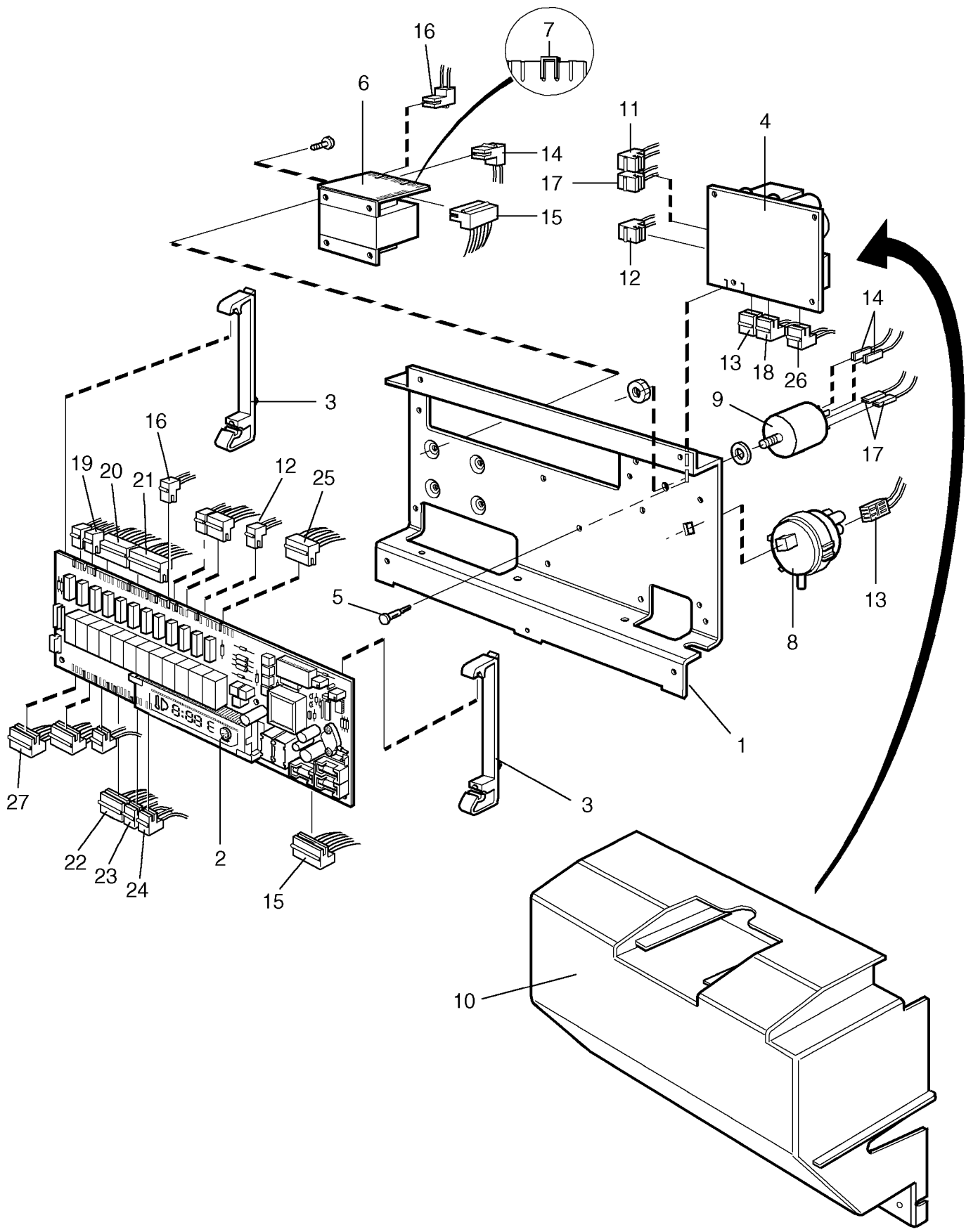
EX630c,EX630s

Control panel Clarus

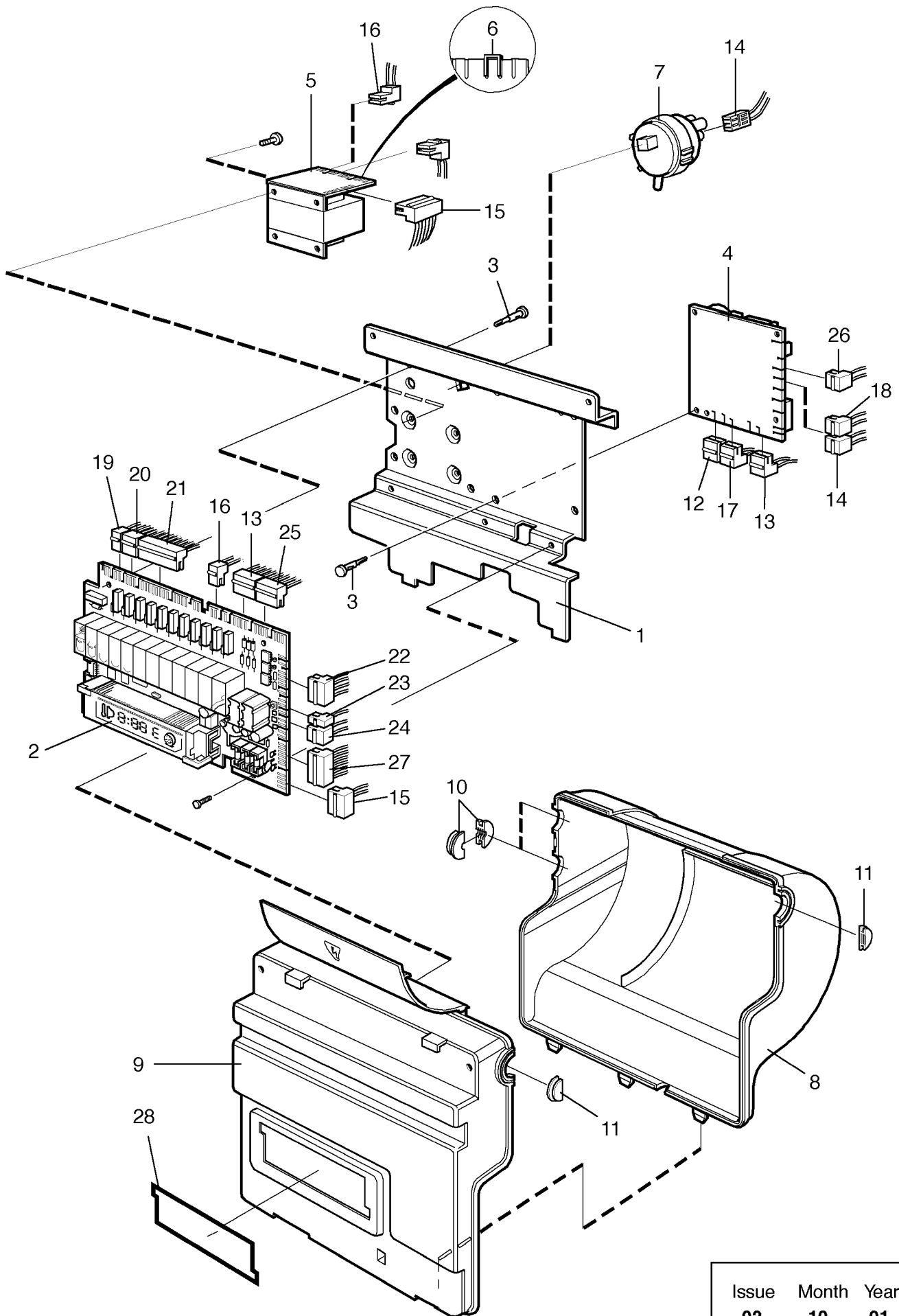
Pupitre de commande Clarus

Illustration Issue Month Year
Schéma Issue Month Year
101770/2 6 3 2005

Item Article	Qua. Qua.	Art.No Réf. article	Description	Description	Info Info	Notes Remarques
1	1	432 2025-01	Front panel	Panneau avant	3	
2	1	432 2750-01	Control panel	Pupitre de commande	1,2	
3	1	432 2630-01	Instruction plate	Plaque instruction utilisation	3	Swedish
	1	432 2630-02	Instruction plate	Plaque instruction utilisation	3	English, Italian
	1	432 2630-03	Instruction plate	Plaque instruction utilisation	3	Japanese
	1	432 2630-04	Instruction plate	Plaque instruction utilisation	3	German
	1	432 2630-02	Instruction plate	Plaque instruction utilisation	3	English, Italian
	1	432 2630-06	Instruction plate	Plaque instruction utilisation	3	Danish
	1	432 2630-02	Instruction plate	Plaque instruction utilisation	3	English, Italian
	1	432 2630-06	Instruction plate	Plaque instruction utilisation	3	Danish
	1	432 2630-09	Instruction plate	Plaque instruction utilisation	3	Spanish
	1	432 2630-10	Instruction plate	Plaque instruction utilisation	3	Polish
4	1	432 2603-01	Type plate	Numéro série plaque	3	W3130H
	1	432 2603-22	Type plate	Numéro série plaque	3	W3130H Woolmark
	1	432 2603-11	Type plate	Numéro série plaque	3	EX630c
5	1	471 9628-32	Emergency stop	Arrêt d'urgence	1,2	
6	1	471 9628-33	Contact block	Bloc de connexion	1,2	
7	1	432 3182-61	Cable set	Jeu de câbles	3	-650/16408
	1	432 3192-61	Cable set	Jeu de câbles	3	650/16409-
8	1	432 3182-72	Cable set	Jeu de câbles	3	-650/16408
	1	432 3192-78	Cable set	Jeu de câbles	3	650/16409-
9	1	432 3182-78	Cable set	Jeu de câbles	3	-650/16408
	1	432 3192-78	Cable set	Jeu de câbles	3	650/16409-

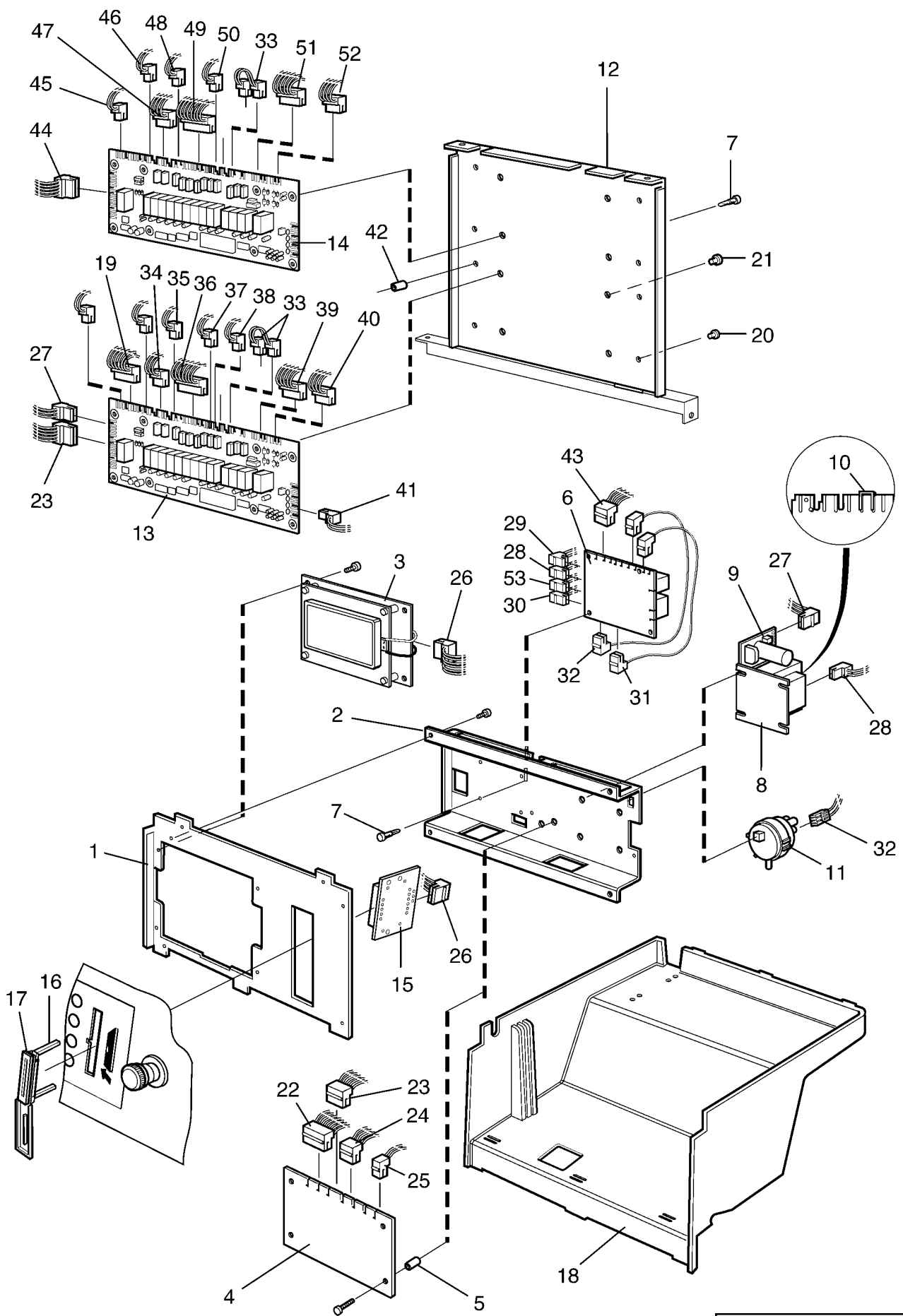


EX630c,EX630s							
Electrical components Exacta				Illustration	Issue	Month	Year
Composants électriques Exacta				Schéma	Issue	Month	Year
				101764/3	7	9	2004
Item Article	Qua. Qua.	Art.No Réf. article	Description	Description	Info Info	Notes Remarques	
1	1	432 2151-01	Mounting plate	Plaque de montage	3		
2	1	471 8988-10	Printed circuit board	Circuit imprimé	1,2		
3	2	432 2153-01	Bracket	Pièce de retenue	3		
4	1	438 9555-11	Control unit	Organe de direction	1,2	230V -650/14354	
	1	438 9555-12	Control unit	Organe de direction	1,2	120V -650/14354	
	1	438 9564-01	Control unit	Organe de direction	1,2	230V 650/14355-	
5	4	471 7958-02	Support	Support	3		
6	1	471 9558-12	Transformer	Transformateur	1		
7	1	472 9913-43	Clamp	Bride de fixation	3	Kit 25 pcs	
8	1	471 8861-01	Level guard	Limiteur de niveau	1,2		
9	1	471 9529-10	Mains filter	Filtre de filet	3	208-240V	
10	1	432 2152-01	Protective cover	Couvercle de protection	3		
11	1	432 3082-48	Cable set	Jeu de câbles	3		
	1	432 3082-57	Cable set	Jeu de câbles	3	X31-X92	
13	1	432 3182-93	Cable set	Jeu de câbles	3	X93	
14	1	432 3082-84	Cable set	Jeu de câbles	3	X178-L1, N/L2	
15	1	432 3087-04	Cable set	Jeu de câbles	3	X20-X172	
16	1	432 3082-27	Cable set	Jeu de câbles	3	X33-X278	
17	1	432 3082-82	Cable set	Jeu de câbles	3	X91-L1, N/L2	
18	1	432 3182-21	Cable set	Jeu de câbles	3	X94-X304	
19	1	432 3082-49	Cable set	Jeu de câbles	3	X37-X302	
20	1	432 3088-30	Cable set	Jeu de câbles	3	X36-X48	
21	1	432 3087-30	Cable set	Jeu de câbles	3	X35-X43	
22	1	432 3084-40	Cable set	Jeu de câbles	3	X24-X301	
23	1	432 3082-77	Cable set	Jeu de câbles	3	X23	
24	1	432 3082-18	Cable set	Jeu de câbles	3	X22-X40	
25	1	432 3086-91	Cable set	Jeu de câbles	3	X30	
26	1	432 3082-99	Cable set	Jeu de câbles	3	X96	
27	1	432 3086-15	Cable set	Jeu de câbles	3		



Issue	Month	Year
02	10	01

EX630c,EX630s							
Electrical components Exacta				Illustration	Issue	Month	Year
Composants électriques Exacta				Schéma	Issue	Month	Year
				101928/2	9	9	2004
Item	Qua.	Art.No	Description	Description	Info	Notes	
Article	Qua.	Réf. article			Info	Remarques	
1	1	432 2167-01	Mounting plate	Plaque de montage	3		
2	1	471 8988-11	Printed circuit board	Circuit imprimé	1,2		
3	6	471 7958-02	Support	Support	3		
4	1	438 9555-11	Control unit	Organe de direction	1,2	230V	
	1	438 9555-12	Control unit	Organe de direction	1,2	120V	
	1	438 9564-01	Control unit	Organe de direction	1,2	230V	
5	1	471 9558-12	Transformer	Transformateur	1		
6	1	472 9913-43	Clamp	Bride de fixation	3	Kit 25 pcs	
7	1	471 8861-01	Level guard	Limiteur de niveau	1,2		
8	1	432 3910-01	Protective cover	Couvercle de protection	3	Rear	
9	1	432 3909-01	Protective cover	Couvercle de protection	3	Front	
10	4	432 3907-01	Grommet	Oeillet	3		
11	2	432 3908-01	Grommet	Oeillet	3		
12	1	432 3082-35	Cable set	Jeu de câbles	3	-650/16408	
	1	432 3092-35	Cable set	Jeu de câbles	3	650/16409-	
13	1	432 3082-58	Cable set	Jeu de câbles	3	-650/16408	
	1	432 3092-58	Cable set	Jeu de câbles	3	650/16409-	
14	1	432 3182-94	Cable set	Jeu de câbles	3	-650/16408	
	1	432 3192-94	Cable set	Jeu de câbles	3	650/16409-	
15	1	432 3087-05	Cable set	Jeu de câbles	3	-650/16408	
	1	432 3097-05	Cable set	Jeu de câbles	3	650/16409-	
16	1	432 3082-26	Cable set	Jeu de câbles	3	-650/16408	
	1	432 3092-26	Cable set	Jeu de câbles	3	650/16409-	
17	1	432 3082-42	Cable set	Jeu de câbles	3	-650/16408	
	1	432 3092-42	Cable set	Jeu de câbles	3	650/16409-	
19	1	432 3082-36	Cable set	Jeu de câbles	3	-650/16408	
	1	432 3092-36	Cable set	Jeu de câbles	3	650/16409-	
20	1	432 3088-14	Cable set	Jeu de câbles	3	-650/16408	
	1	432 3098-14	Cable set	Jeu de câbles	3	650/16409-	
21	1	432 3087-16	Cable set	Jeu de câbles	3	-650/16408	
	1	432 3097-16	Cable set	Jeu de câbles	3	650/16409-	
22	1	432 3184-03	Cable set	Jeu de câbles	3	X24-X301 -650/16408	
	1	432 3194-03	Cable set	Jeu de câbles	3	650/16409-	
23	1	432 3082-75	Cable set	Jeu de câbles	3	-650/16408	
	1	432 3092-75	Cable set	Jeu de câbles	3	650/16409-	
24	1	432 3082-04	Cable set	Jeu de câbles	3	-650/16408	
	1	432 3092-04	Cable set	Jeu de câbles	3	650/16409-	
25	1	432 3086-89	Cable set	Jeu de câbles	3	-650/16408	
	1	432 3096-89	Cable set	Jeu de câbles	3	650/16409-	
26	1	432 3082-99	Cable set	Jeu de câbles	3	-650/16408	
	1	432 3092-99	Cable set	Jeu de câbles	3	650/16409-	
27	1	432 3086-10	Cable set	Jeu de câbles	3	-650/16408	
	1	432 3096-10	Cable set	Jeu de câbles	3	650/16409-	
28	-					Not used	



Issue	Month	Year
04	12	04

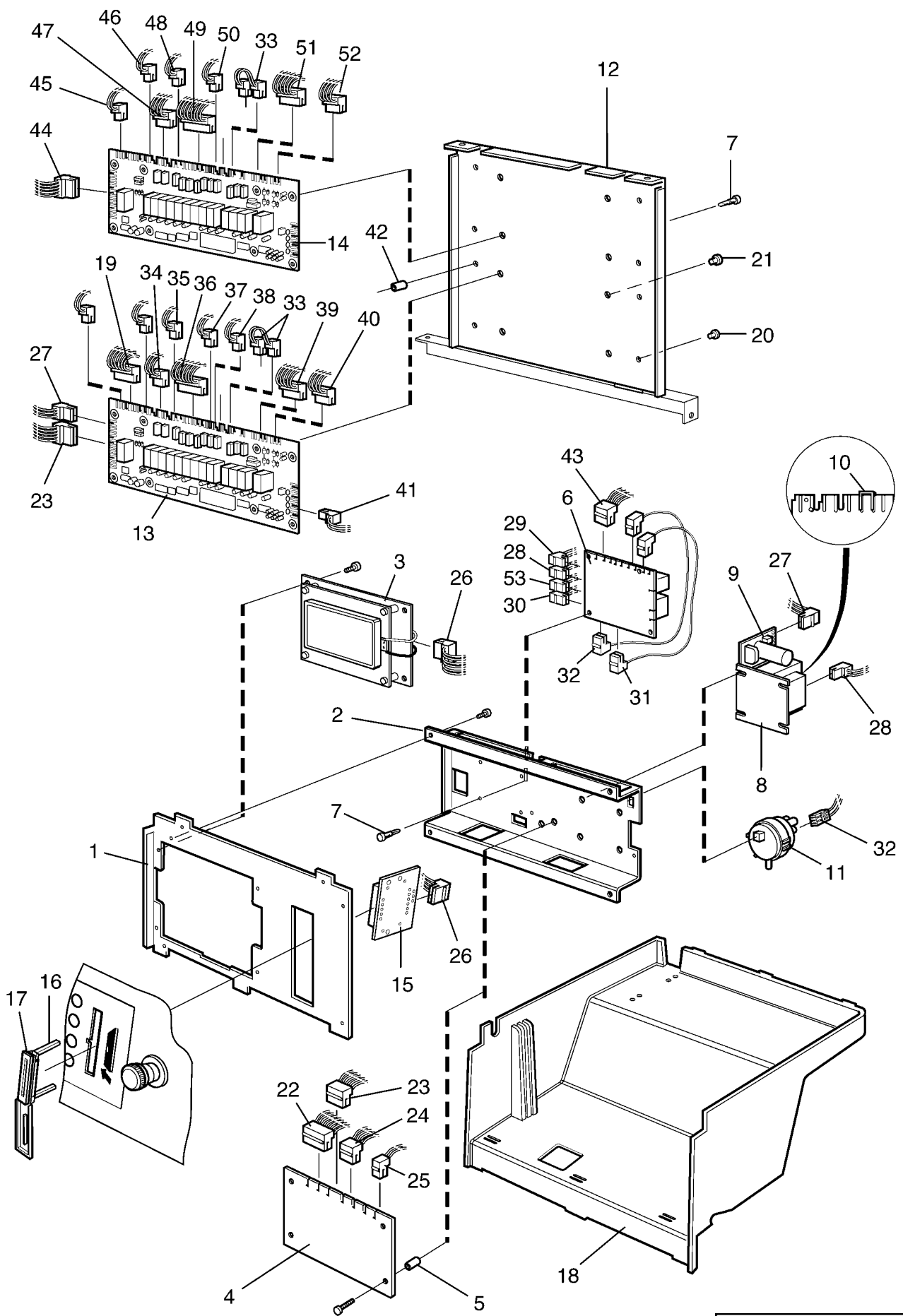
EX630c,EX630s

Electrical components Clarus

Composants électriques Clarus

Illustration Issue Month Year
Schéma Issue Month Year
101765/4 18 9 2007

Item Article	Qua. Qua.	Art.No Réf. article	Description	Description	Info Info	Notes Remarques
1	1	432 2159-01	Mounting plate	Plaque de montage	3	
2	1	432 2160-01	Mounting plate	Plaque de montage	3	
3	1	471 8997-03	Display	Affichage	1,2	
4	1	471 8993-01	Printed circuit board	Circuit imprimé	1,2	Not configured
	1	438 7164-01	Printed circuit board	Circuit imprimé	1,2	7G01, 1 I/O-card Swedish -650/14354
	1	438 7133-01	Printed circuit board	Circuit imprimé	1,2	7G01, 1 I/O-card Swedish 650/14355-
	1	438 7133-27	Printed circuit board	Circuit imprimé	1,2	7W01 2 I/O-cards Swedish 650/14355-
	1	438 7164-02	Printed circuit board	Circuit imprimé	1,2	7G01, 1 I/O-card English -650/14354
	1	438 7133-02	Printed circuit board	Circuit imprimé	1,2	7G01, 1 I/O-card English 650/14355-
	1	438 7164-03	Printed circuit board	Circuit imprimé	1,2	7G01, 1 I/O-card German -650/14354
	1	437 7133-03	Printed circuit board	Circuit imprimé	1,2	7G01, 1 I/O-card German 650/14355-
	1	438 7164-04	Printed circuit board	Circuit imprimé	1,2	7G01, 1 I/O-card Spanish -650/14354
	1	438 7733-04	Printed circuit board	Circuit imprimé	1,2	7G01, 1 I/O-card Spanish 650/14355-
	1	438 7164-05	Printed circuit board	Circuit imprimé	1,2	7G01, 1 I/O-card Norwegian -650/14354
	1	438 7133-05	Printed circuit board	Circuit imprimé	1,2	7G01, 1 I/O-card Norwegian 650/14355-
	1	438 7164-06	Printed circuit board	Circuit imprimé	1,2	7G01, 1 I/O-card French -650/14354
	1	438 7733-06	Printed circuit board	Circuit imprimé	1,2	7G01, 1 I/O-card French 650/12500-
	1	438 7164-07	Printed circuit board	Circuit imprimé	1,2	7G01, 1 I/O-card Danish -650/14354
	1	438 7733-12	Printed circuit board	Circuit imprimé	1,2	7G01, 1 I/O-card Danish 650/14355-
	1	438 7164-08	Printed circuit board	Circuit imprimé	1,2	7W01 2 I/O-cards French -650/14354
	1	438 7133-15	Printed circuit board	Circuit imprimé	1,2	7W01 2 I/O-cards French 650/14355-
	1	438 7164-39	Printed circuit board	Circuit imprimé	1,2	7W01 2 I/O-cards, DBS French -650/14354
	1	438 7133-37	Printed circuit board	Circuit imprimé	1,2	7W05, 2 I/O-cards French 650/14355-
	1	438 7164-09	Printed circuit board	Circuit imprimé	1,2	7W01 2 I/O-cards Italian -650/14354
	1	438 7133-21	Printed circuit board	Circuit imprimé	1,2	7W01 2 I/O-cards Italian 650/14355-
	1	438 7133-31	Printed circuit board	Circuit imprimé	1,2	7W05, 2 I/O-cards Italian 650/14355-
	1	438 7164-10	Printed circuit board	Circuit imprimé	1,2	7W01 2 I/O-cards German -650/14354
	1	438 7133-07	Printed circuit board	Circuit imprimé	1,2	7W01 2 I/O-cards German 650/14355-
	1	438 7133-36	Printed circuit board	Circuit imprimé	1,2	7W05 2 I/O-cards German 650/14355-
	1	438 7164-11	Printed circuit board	Circuit imprimé	1,2	7G01, 1 I/O-card Italian -650/14354
	1	438 7133-08	Printed circuit board	Circuit imprimé	1,2	7G01, 1 I/O-card Italian 650/14355-



Issue	Month	Year
04	12	04

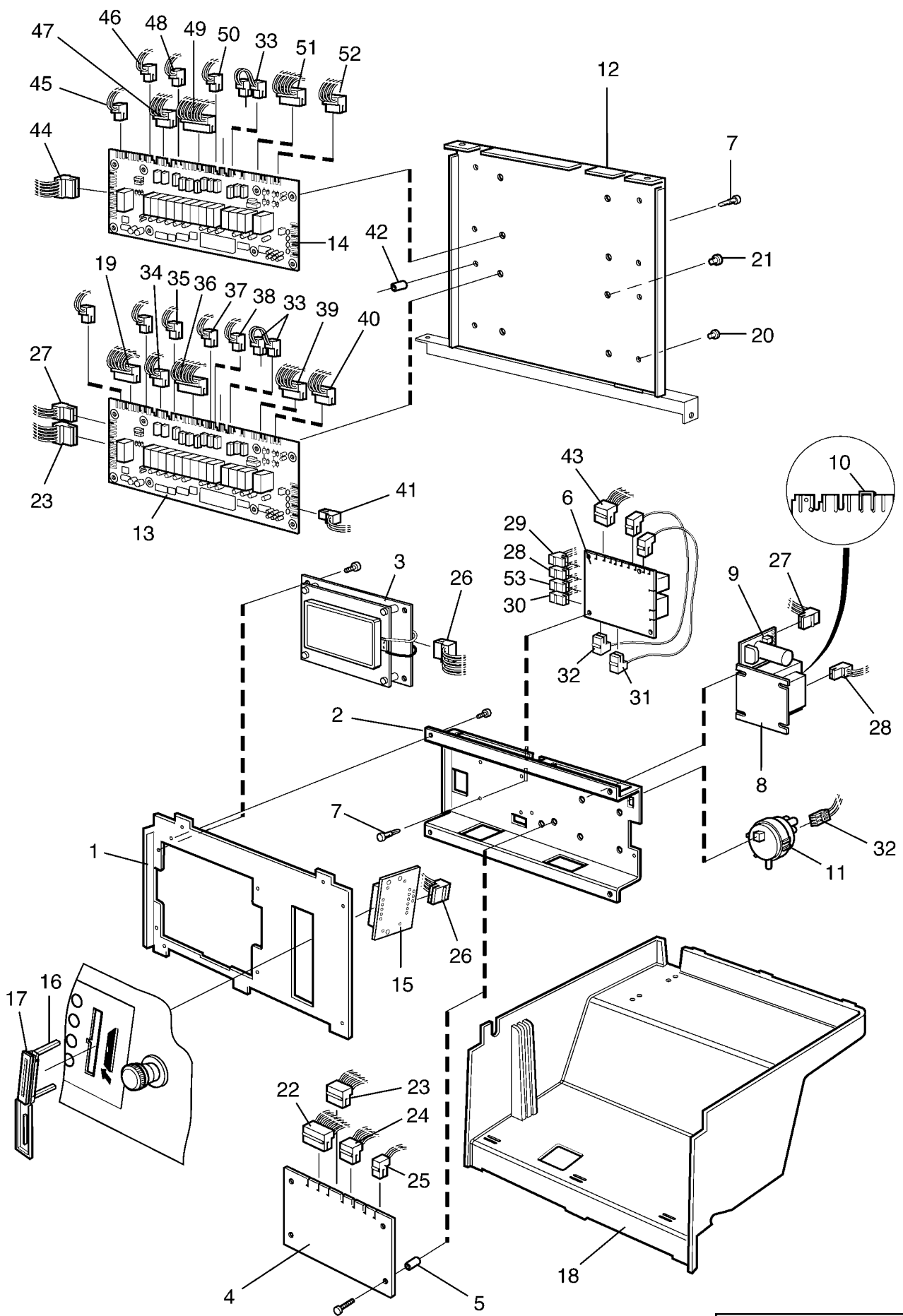
EX630c,EX630s

Electrical components Clarus

Composants électriques Clarus

Illustration Issue Month Year
Schéma Issue Month Year
101765/4 18 9 2007

Item Article	Qua. Qua.	Art.No Réf. article	Description	Description	Info Info	Notes Remarques
	1	438 7164-12	Printed circuit board	Circuit imprimé	1,2	7W01 2 I/O-cards English -650/14354
	1	438 7133-09	Printed circuit board	Circuit imprimé	1,2	7W01 2 I/O-cards English 650/14355-
	1	438 7133-34	Printed circuit board	Circuit imprimé	1,2	7W05 2 I/O-cards English 650/14355-
	1	438 7133-42	Printed circuit board	Circuit imprimé	1,2	7W05, 2 I/O-cards Norwegian 650/14355-
	1	438 7133-16	Printed circuit board	Circuit imprimé	1,2	7G01, HW, 1 I/O-card English 650/14355-
	1	438 7133-32	Printed circuit board	Circuit imprimé	1,2	7W01, HW, 2 I/O-cards English 650/14355-
	1	438 7164-13	Printed circuit board	Circuit imprimé	1,2	7G01, 1 I/O-card Finnish -650/14354
	1	438 7133-17	Printed circuit board	Circuit imprimé	1,2	7G01, 1 I/O-card Finnish 650/14355-
	1	438 7164-14	Printed circuit board	Circuit imprimé	1,2	7G01, 1 I/O-card Dutch -650/14354
	1	438 7133-10	Printed circuit board	Circuit imprimé	1,2	7G01, 1 I/O-card Dutch 650/14355-
	1	438 7164-15	Printed circuit board	Circuit imprimé	1,2	7G02, 1 I/O-card GB English -650/14354
	1	438 7133-11	Printed circuit board	Circuit imprimé	1,2	7G02, 1 I/O-card GB English 650/14355-
	1	438 7733-25	Printed circuit board	Circuit imprimé	1,2	7W02 2 I/O-cards GB English 650/14355-
	1	438 7164-16	Printed circuit board	Circuit imprimé	1,2	7W01 2 I/O-cards Danish -650/14354
	1	438 7133-22	Printed circuit board	Circuit imprimé	1,2	7W01 2 I/O-cards Danish 650/14355-
	1	438 7164-17	Printed circuit board	Circuit imprimé	1,2	7W01 2 I/O-cards Spanish -650/14354
	1	438 7133-24	Printed circuit board	Circuit imprimé	1,2	7W01 2 I/O-cards Spanish 650/14355-
	1	438 7133-43	Printed circuit board	Circuit imprimé	1,2	7W01, 2 I/O-cards Russian 650/14355-
	1	438 7164-18	Printed circuit board	Circuit imprimé	1,2	7G03, 1 I/O-card Japanese -650/14354
	1	438 7133-18	Printed circuit board	Circuit imprimé	1,2	7G03, 1 I/O-card Japanese 650/14355-
	1	438 7133-39	Printed circuit board	Circuit imprimé	1,2	7W05, 2 I/O-cards Japanese 650/14355-
	1	438 7164-19	Printed circuit board	Circuit imprimé	1,2	7W01 2 I/O-cards Finnish -650/14354
	1	438 7133-19	Printed circuit board	Circuit imprimé	1,2	7W01 2 I/O-cards Finnish 650/14355-
	1	438 7164-20	Printed circuit board	Circuit imprimé	1,2	7G01, 1 I/O-card, DBS Danish -650/14354
	1	438 7164-37	Printed circuit board	Circuit imprimé	1,2	7W01 2 I/O-cards, DBS Danish -650/14354
	1	438 7164-21	Printed circuit board	Circuit imprimé	1,2	7G01, 1 I/O-card, DBS German -650/14354
	1	438 7164-22	Printed circuit board	Circuit imprimé	1,2	7G01, 1 I/O-card, DBS Italian -650/14354
	1	438 7133-23	Printed circuit board	Circuit imprimé	1,2	7G01 1 I/O-card DBS ITALIEN 650/14355-
	1	438 7164-23	Printed circuit board	Circuit imprimé	1,2	7G01, 1 I/O-card, DBS Swedish -650/14354



Issue	Month	Year
04	12	04

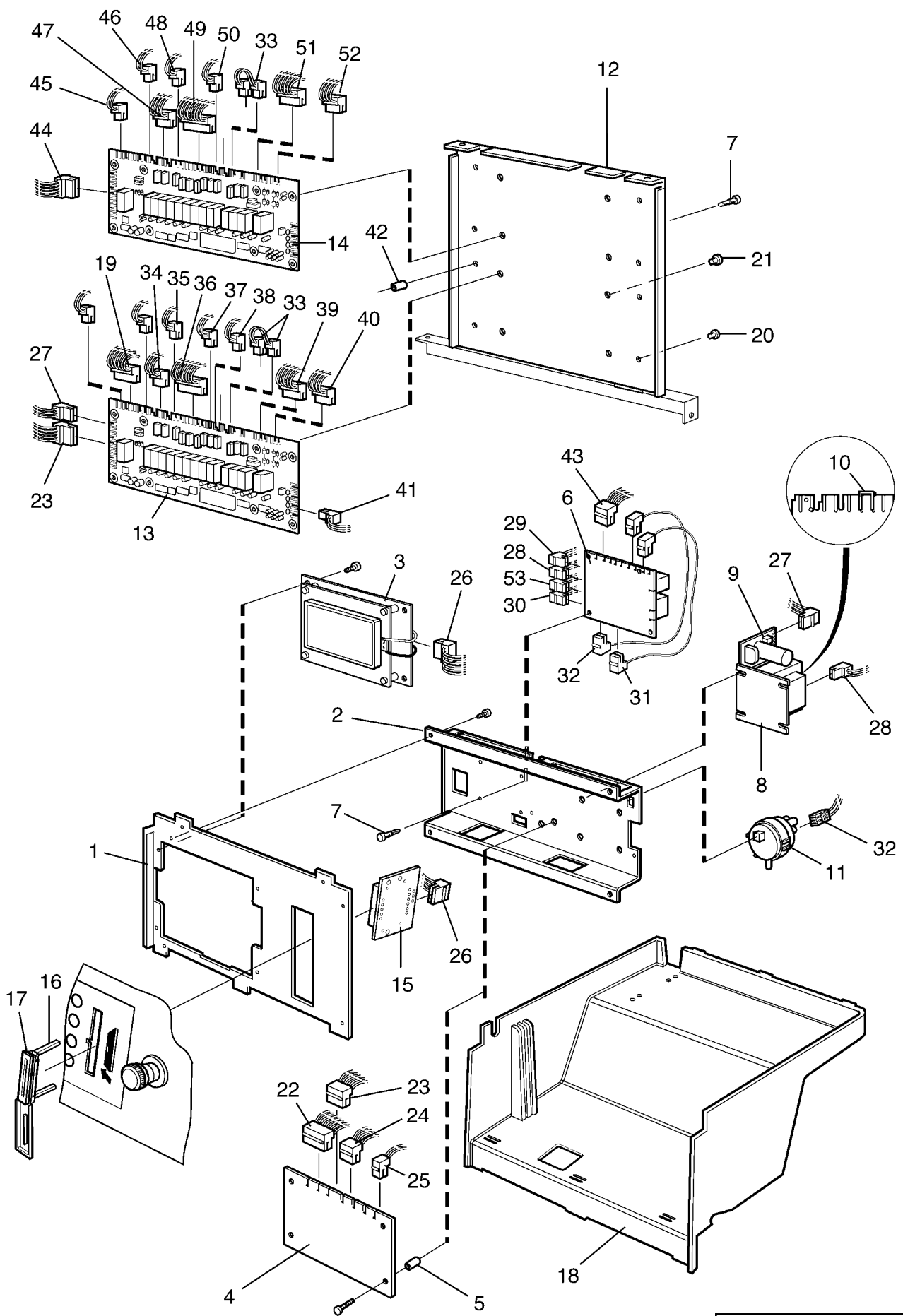
EX630c,EX630s

Electrical components Clarus

Composants électriques Clarus

Illustration Issue Month Year
Schéma Issue Month Year
101765/4 18 9 2007

Item Article	Qua. Qua.	Art.No Réf. article	Description	Description	Info Info	Notes Remarques
	1	438 7164-24	Printed circuit board	Circuit imprimé	1,2	7G01, 1 I/O-card Polish -650/14354
	1	438 7164-25	Printed circuit board	Circuit imprimé	1,2	7W01 2 I/O-cards, DBS German -650/14354
	1	438 7164-26	Printed circuit board	Circuit imprimé	1,2	7G02, HW, 1 I/O-card USA -650/14354
	1	438 7164-27	Printed circuit board	Circuit imprimé	1,2	7W02, 2 I/O-cards USA -650/14354
	1	438 7133-30	Printed circuit board	Circuit imprimé	1,2	7W02, 2 I/O-cards NON-HEATING,USA 650/14355-
	1	438 7164-28	Printed circuit board	Circuit imprimé	1,2	7G02, 1 I/O-card, DBS GB English -650/14354
	1	438 7164-29	Printed circuit board	Circuit imprimé	1,2	7W01 2 I/O-cards Dutch -650/14354
	1	438 7133-13	Printed circuit board	Circuit imprimé	1,2	7W01 2 I/O-cards Dutch 650/14355-
	1	438 7164-30	Printed circuit board	Circuit imprimé	1,2	7W01 2 I/O-cards Polish -650/14354
	1	438 7164-31	Printed circuit board	Circuit imprimé	1,2	7G01, 1 I/O-card Czech -650/14354
	1	438 7133-41	Printed circuit board	Circuit imprimé	1,2	7W01, 2 I/O-cards CZECHISH 650/14355-
	1	438 7164-32	Printed circuit board	Circuit imprimé	1,2	7G01, 1 I/O-card, DBS English -650/14354
	1	438 7133-26	Printed circuit board	Circuit imprimé	1,2	7G01 1 I/O-card DBS English 650/14355-
	1	438 7164-33	Printed circuit board	Circuit imprimé	1,2	7W01 2 I/O-cards Norwegian -650/14354
	1	438 7133-28	Printed circuit board	Circuit imprimé	1,2	7W01 2 I/O-cards Norwegian 650/14355-
	1	438 7164-34	Printed circuit board	Circuit imprimé	1,2	7W01 2 I/O-cards, DBS Dutch -650/14354
	1	438 7164-35	Printed circuit board	Circuit imprimé	1,2	7W01, HW, 2 I/O-cards English -650/14354
	1	438 7164-36	Printed circuit board	Circuit imprimé	1,2	7G01, 1 I/O-card, DBS Dutch -650/14354
	1	438 7164-38	Printed circuit board	Circuit imprimé	1,2	7G02, 1 I/O-card NON-HEATING,USA -650/14354
	1	438 7133-14	Printed circuit board	Circuit imprimé	1,2	7G02, HW, 1 I/O-card NON-HEATING,USA 650/14355-
	1	438 7133-35	Printed circuit board	Circuit imprimé	1,2	7G22 1 I/O-card HW PLUS NON-HEATING,USA 650/14355-
	1	438 7133-38	Printed circuit board	Circuit imprimé	1,2	7G01, 1 I/O-card Russian 650/14355-
	1	438 7164-40	Printed circuit board	Circuit imprimé	1,2	7G01 1 I/O-card Russian 650/14355-
	1	438 7164-41	Printed circuit board	Circuit imprimé	1,2	7W01 2 I/O-cards Russian -650/14354
		438 7126-28	Printed circuit board	Circuit imprimé	1,2	7W05, 2 I/O-cards German
5	4	438 0299-01	Spacer	Entretoise	3	
6	1	438 9555-11	Control unit	Organe de direction	1,2	230V -650/14354
	1	438 9555-12	Control unit	Organe de direction	1,2	120V -650/14354
	1	438 9564-01	Control unit	Organe de direction	1,2	230V 650/14355-
7	Rq	471 7958-02	Support	Support	3	
8	1	471 8792-01	Transformer	Transformateur	3	
9	1	471 8750-11	•Fuse	•Porte-fusible	1,2	1,25A
10	1	472 9913-43	Clamp	Bride de fixation	3	Kit 25 pcs
11	1	471 8861-01	Level guard	Limiteur de niveau	1,2	



Issue	Month	Year
04	12	04

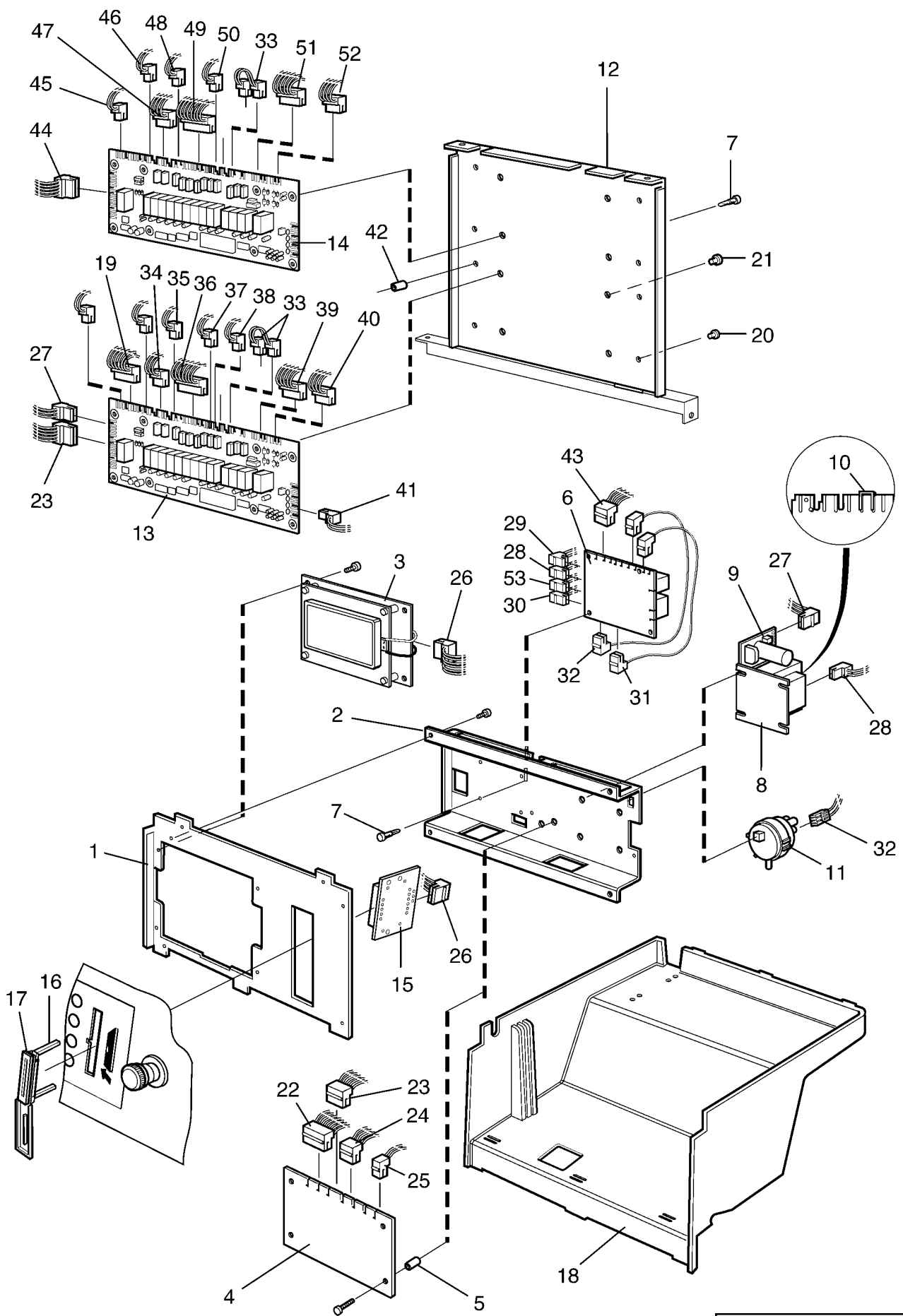
EX630c,EX630s

Electrical components Clarus

Composants électriques Clarus

Illustration Issue Month Year
Schéma Issue Month Year
101765/4 18 9 2007

Item Article	Qua. Qua.	Art.No Réf. article	Description	Description	Info Info	Notes Remarques
12	1	432 2161-01	Cover	Couvercle	3	
13	1	471 8995-11	Printed circuit board	Circuit imprimé	1,2	I/O-card
14	1	471 8995-12	Printed circuit board	Circuit imprimé	1,2	I/O-card
15	1	471 8793-01	Card reader	Lecteur de carte	1	
16	1	432 0150-01	Bracket	Pièce de retenue	3	
17	1	432 0149-01	Rubber cap	Capuchon caoutchouc	3	
18	1	432 2162-02	Protective cover	Couvercle de protection	3	
19	1	432 3086-92	Cable set	Jeu de câbles	3	A11X5 -650/16408
	1	432 3096-92	Cable set	Jeu de câbles	3	650/16409-
20	4		Plug	Fiche	3	Ø3,5
21	4		Plug	Bonde	3	Ø6,5
22	1	432 3087-92	Cable set	Jeu de câbles	3	-650/16408
	1	432 3097-92	Cable set	Jeu de câbles	3	650/16409-
23	1	432 3085-15	Cable set	Jeu de câbles	3	-650/16408
	1	432 3095-15	Cable set	Jeu de câbles	3	650/16409-
24	1	432 3084-40	Cable set	Jeu de câbles	3	A1X4-X301
25	1	432 3082-77	Cable set	Jeu de câbles	3	A1X1-Temp. sensor
26	1	432 2981-01	Cable set	Jeu de câbles	3	
27	1	432 3087-75	Cable set	Jeu de câbles	3	A11X3-X172
28	1	432 3082-41	Cable set	Jeu de câbles	3	-650/16408
	1	432 3092-41	Cable set	Jeu de câbles	3	650/16409-
29	1	432 3082-59	Cable set	Jeu de câbles	3	-650/16408
	1	432 3092-59	Cable set	Jeu de câbles	3	650/16409-
30	1	432 3082-48	Cable set	Jeu de câbles	3	X90-X45
31	1	432 3082-21	Cable set	Jeu de câbles	3	X94-X304
32	1	432 3182-93	Cable set	Jeu de câbles	3	X93
33	1	432 3082-56	Cable set	Jeu de câbles	3	-650/16408
	1	432 3092-56	Cable set	Jeu de câbles	3	650/16409-
34	1	432 3083-30	Cable set	Jeu de câbles	3	A11X7-X49 -650/16408
	1	432 3093-30	Cable set	Jeu de câbles	3	650/16409-
35	1	432 3082-15	Cable set	Jeu de câbles	3	A11X8-X47 -650/16408
	1	432 3092-15	Cable set	Jeu de câbles	3	650/16409-
36	1	432 3087-20	Cable set	Jeu de câbles	3	A11X9-X48 -650/16408
	1	432 3097-20	Cable set	Jeu de câbles	3	650/16409-
37	1	432 3082-49	Cable set	Jeu de câbles	3	A11X10-X302
38	1	432 3082-43	Cable set	Jeu de câbles	3	A11X11-X42 -650/16408
	1	432 3092-43	Cable set	Jeu de câbles	3	650/16409-
39	1	432 3085-25	Cable set	Jeu de câbles	3	A11X14-X43 -650/16408
	1	432 3095-25	Cable set	Jeu de câbles	3	650/16409-
40	1	432 3084-16	Cable set	Jeu de câbles	3	A11X15-X41 -650/16408
	1	432 3094-16	Cable set	Jeu de câbles	3	650/16409-
41	1	432 3082-18	Cable set	Jeu de câbles	3	A11X16:3-X40
42	4	438 0299-01	Spacer	Entretoise	3	
43	1	432 3082-90	Cable set	Jeu de câbles	3	X96
44	1	432 3085-04	Cable set	Jeu de câbles	3	-650/16408
	1	432 3095-04	Cable set	Jeu de câbles	3	650/16409-
45	1	432 3082-16	Cable set	Jeu de câbles	3	A12X4-X63 -650/16408
	1	432 3092-16	Cable set	Jeu de câbles	3	650/16409-
46	1	432 3082-50	Cable set	Jeu de câbles	3	A12X6-X69 -650/16408
	1	432 3092-50	Cable set	Jeu de câbles	3	650/16409-
47	1	432 3083-32	Cable set	Jeu de câbles	3	A12X7-X66 -650/16408
	1	432 3093-32	Cable set	Jeu de câbles	3	650/16409-
48	1	432 3082-17	Cable set	Jeu de câbles	3	A12X8-X65 -650/16408
	1	432 3092-17	Cable set	Jeu de câbles	3	650/16409-
49	1	432 3088-32	Cable set	Jeu de câbles	3	A12X9-X62 -650/16408
	1	432 3098-32	Cable set	Jeu de câbles	3	650/16409-
50	1	432 3182-02	Cable set	Jeu de câbles	3	-650/16408
	1	432 3192-02	Cable set	Jeu de câbles	3	650/16409-
51	1	432 3085-27	Cable set	Jeu de câbles	3	A12X14-X61 -650/16408



Issue	Month	Year
04	12	04

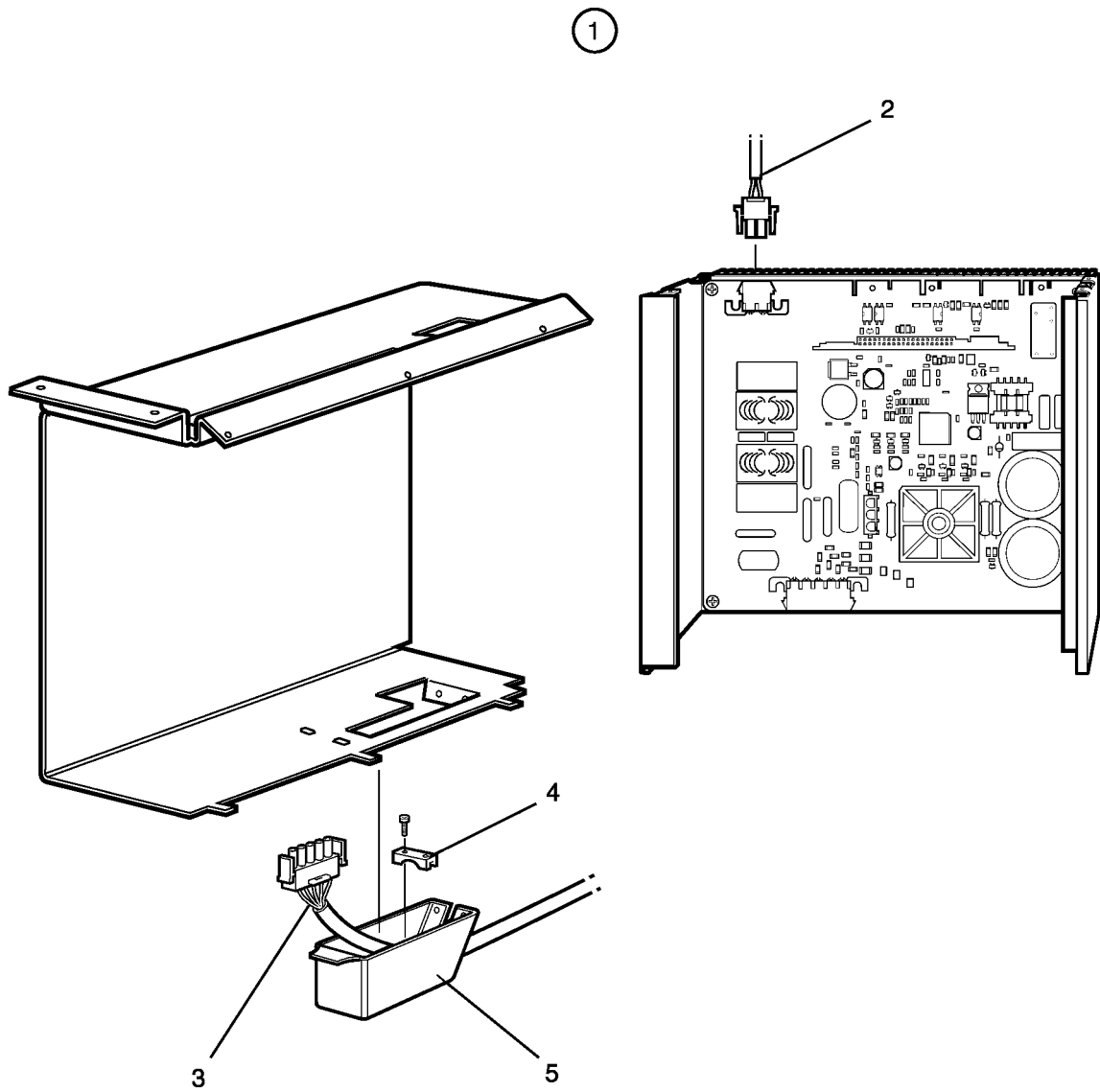
EX630c,EX630s

Electrical components Clarus

Composants électriques Clarus

Illustration	Issue	Month	Year
Schéma	Issue	Month	Year
101765/4	18	9	2007

Item Article	Qua. Qua.	Art.No Réf. article	Description	Description	Info Info	Notes Remarques
52	1	432 3095-27	Cable set	Jeu de câbles	3	650/16409-
	1	432 3084-25	Cable set	Jeu de câbles	3	A12X15-X60 -650/16408
	1	432 3094-25	Cable set	Jeu de câbles	3	650/16409-
53	1	432 3092-70	Cable set	Jeu de câbles	3	X95



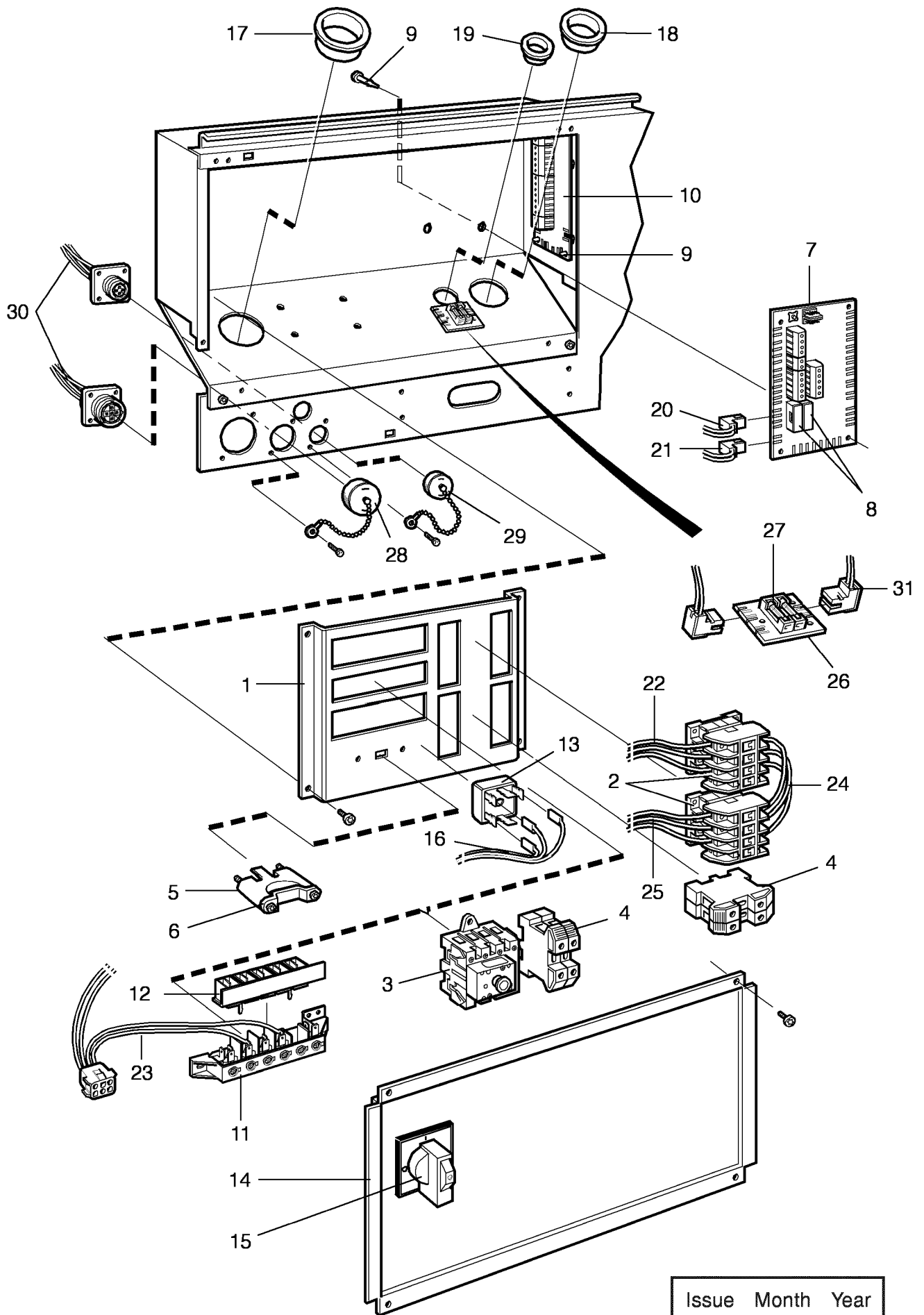
EX630c,EX630s

Motor control

Variateur de vitesse

Illustration Issue Month Year
Schéma Issue Month Year
101766/1 10 10 2009

Item Article	Qua. Qua.	Art.No Réf. article	Description	Description	Info Info	Notes Remarques
* 1	1	472 9930-11	Motor control	Variateur de vitesse	1	CONVERSION KIT -650/14354
*	1		•Motor control	•Variateur de vitesse		200-240V Complete
*	1		•Motor	•Moteur		Complete
*	1		•Control unit	•Organe de direction		230V
*	1	472 9929-19	Motor control	Variateur de vitesse	1	200-240V Complete
						650/14355-
2	1	432 2960-01	Cable set	Jeu de câbles	3	Main switch -650/14354
	1	432 2960-04	Cable set	Jeu de câbles	3	1AC Terminal block
						-650/14354
	1	413 2918-03	•Cable set	•Jeu de câbles	3	2-pole 650/14355-
	1	413 2918-04	•Cable set	•Jeu de câbles	3	2-pole Trafo 650/14355-
	1	413 2918-07	•Cable set	•Jeu de câbles	3	2-pole Japan 650/14355-
3	1		Cable set	Jeu de câbles		See motor
4	1	438 9799-12	Clamp	Attache	3	
5	1	438 9799-01	Cover	Couvercle	3	



Issue	Month	Year
01	10	02

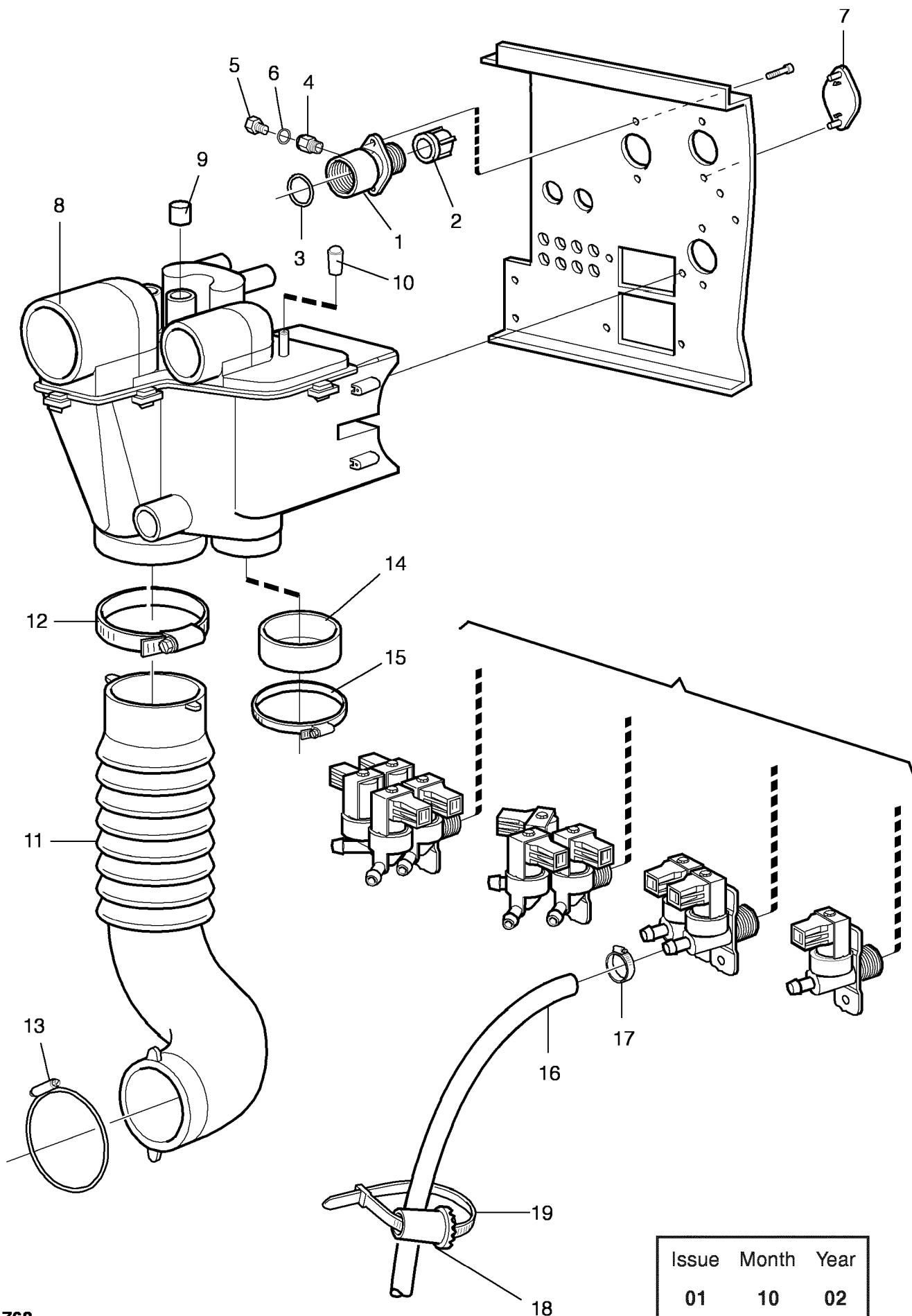
EX630c,EX630s

Electric components connection

Composants électriques raccordement électrique

Illustration Issue Month Year
Schéma Issue Month Year
101791/3 8 2 2006

Item Article	Qua. Qua.	Art.No Réf. article	Description	Description	Info Info	Notes Remarques
1	1	432 2154-01	Mounting plate	Plaque de montage	3	
2	Rq	471 9635-11	Contacteur	Relais	1,2	50Hz 400-415V
	Rq	471 9635-10	Contacteur	Relais	1,2	60Hz 400-415V
3	1	438 9678-11	Main switch	Main switch	1	4-pole, 30A
	1	438 9678-02	Main switch	Main switch	1	3-pole, 40A
	1	438 9678-14	Main switch	Main switch	1	4-pole, 70A
4	2	471 8767-01	Block	Cale	3	SL10
5	1	471 7859-12	Clamp	Attache	3	Lower part
6	1	471 7859-16	Clamp	Attache	3	Upper part
7	1	438 8785-02	Printed circuit board	Circuit imprimé	1,2	Exacta
	1	438 8786-02	Printed circuit board	Circuit imprimé	1,2	Clarus
	2	471 8750-11	•Fuse	•Porte-fusible	1,2	1,25A
9	Rq	471 7958-02	Support	Support	3	
10	1	438 8787-01	Printed circuit board	Circuit imprimé	1,2	Clarus
11	1	471 8759-01	Block	Cale	3	
12	1	471 8759-51	Cover	Couvercle	3	
13	1	471 9573-02	Rectifier	Redresseur	1,2	
14	1	432 2156-11	Cover	Couvercle	3	With hole
	1	432 2156-12	Cover	Couvercle	3	Without hole
15	1	471 9678-94	Knob	Bouton de porte	1	
16	1	432 2960-03	Cable set	Jeu de câbles	3	3AC
17	1	762 1215-10	Grommet	Oeillet	3	Ø48/35mm
18	1	762 1215-10	Grommet	Oeillet	3	Ø48/35mm
19	1	762 1182-10	Grommet	Oeillet	3	Ø22,2MM
20	1	432 3082-86	Cable set	Jeu de câbles	3	X44-L1, N/L2 -650/16408
	1	432 3092-86	Cable set	Jeu de câbles	3	650/16409-
21	1	432 3182-52	Cable set	Jeu de câbles	3	X46 -650/16408
	1	432 3192-52	Cable set	Jeu de câbles	3	650/16409-
22	3	432 2954-01	Cable set	Jeu de câbles	3	400V
	3	432 2954-03	Cable set	Jeu de câbles	3	
23	1	432 2986-01	Cable set	Jeu de câbles	3	-650/16408
	1	432 3106-01	Cable set	Jeu de câbles	3	650/16409-
	1	432 2975-01	Cable set	Jeu de câbles	3	Marine, transformer T2 -650/16408
	1	432 3075-01	Cable set	Jeu de câbles	3	650/16409-
24	2	432 2984-01	Cable set	Jeu de câbles	3	
25	3	432 2954-11	Cable set	Jeu de câbles	3	400V
	3	432 2954-13	Cable set	Jeu de câbles	3	
26	1	438 8797-01	Printed circuit board	Circuit imprimé	1,2	
27	2	471 8750-11	•Fuse	•Porte-fusible	1,2	1,25A
28	1	438 7950-02	Cover washer	Rondelle protection	3	14-pole
29	1	438 7950-01	Cover washer	Rondelle protection	3	4-pole
30	1	432 2945-01	Cable set	Jeu de câbles	3	-650/16408
	1	432 3045-01	Cable set	Jeu de câbles	3	650/16409-
31	1	432 3082-25	Cable set	Jeu de câbles	3	X44-X144 -650/16408
	1	432 3092-25	Cable set	Jeu de câbles	3	650/16409-



101768

Issue	Month	Year
01	10	02

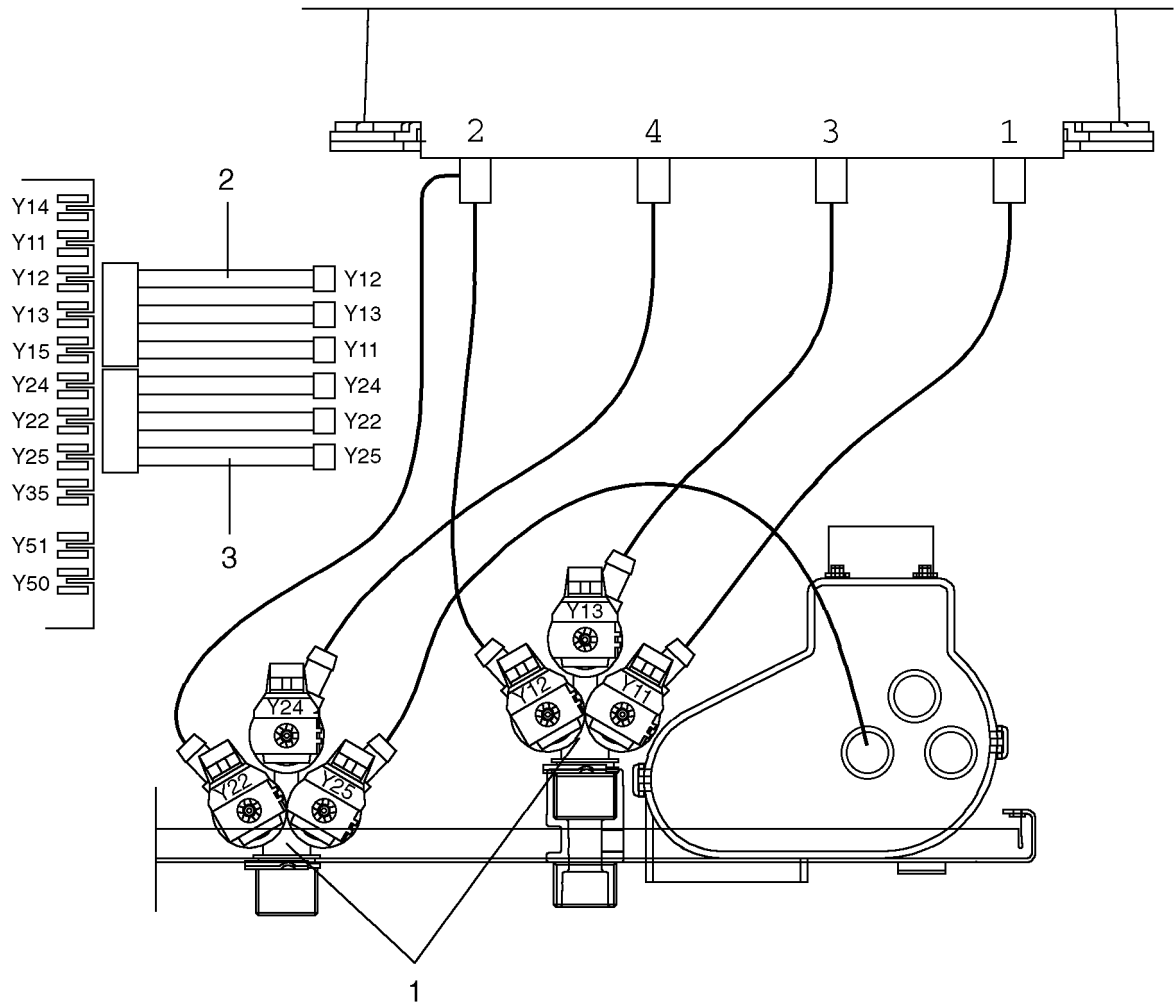
EX630c,EX630s

Water connections

Raccords d'eau

Illustration Issue Month Year
Schéma Issue Month Year
101768/4 2 7 2008

Item Article	Qua. Qua.	Art.No Réf. article	Description	Description	Info Info	Notes Remarques
1	1	438 0056-03	Nipple	Raccord	3	Black, 3/4"
	1	438 0056-04	Nipple	Raccord	3	White, 3/4", USA
2	1	471 8693-21	Filter	Filtre	3	
3	1	471 8199-01	Gasket	Joint	3	
4	1	471 8688-13	Nipple	Raccord	3	1/8"
5	1	741 5109-25	Plug	Fiche	3	El-drain
6	1	740 4206-00	O-ring	Joint torique	3	El-drain
7	Rq	472 6761-01	Cover washer	Rondelle protection	3	
8	1	432 2301-01	Siphon breaker	Rupteur de siphon	3	
9	Rq	471 8175-01	Plug	Fiche	3	
10	1	471 8644-02	Plug	Fiche	3	
11	1	432 2306-01	Hose	Flexible	1	
12	1	736 2846-51	Hose clamp	Attache flexible	3	Ø73-83
13	1	471 7871-07	Hose clamp	Attache flexible	3	
14	-					Not used
15	-					Not used
16	Rq	877 5211-08	Hose	Flexible	1	Per 1 m
17	Rq	736 2816-51	Hose clamp	Attache flexible	3	Ø13-19
18	1	471 4792-01	Tool	Outil	1	
19	1	762 9102-05	Cable tie	Collier de serrage	3	



Issue	Month	Year
01	10	02

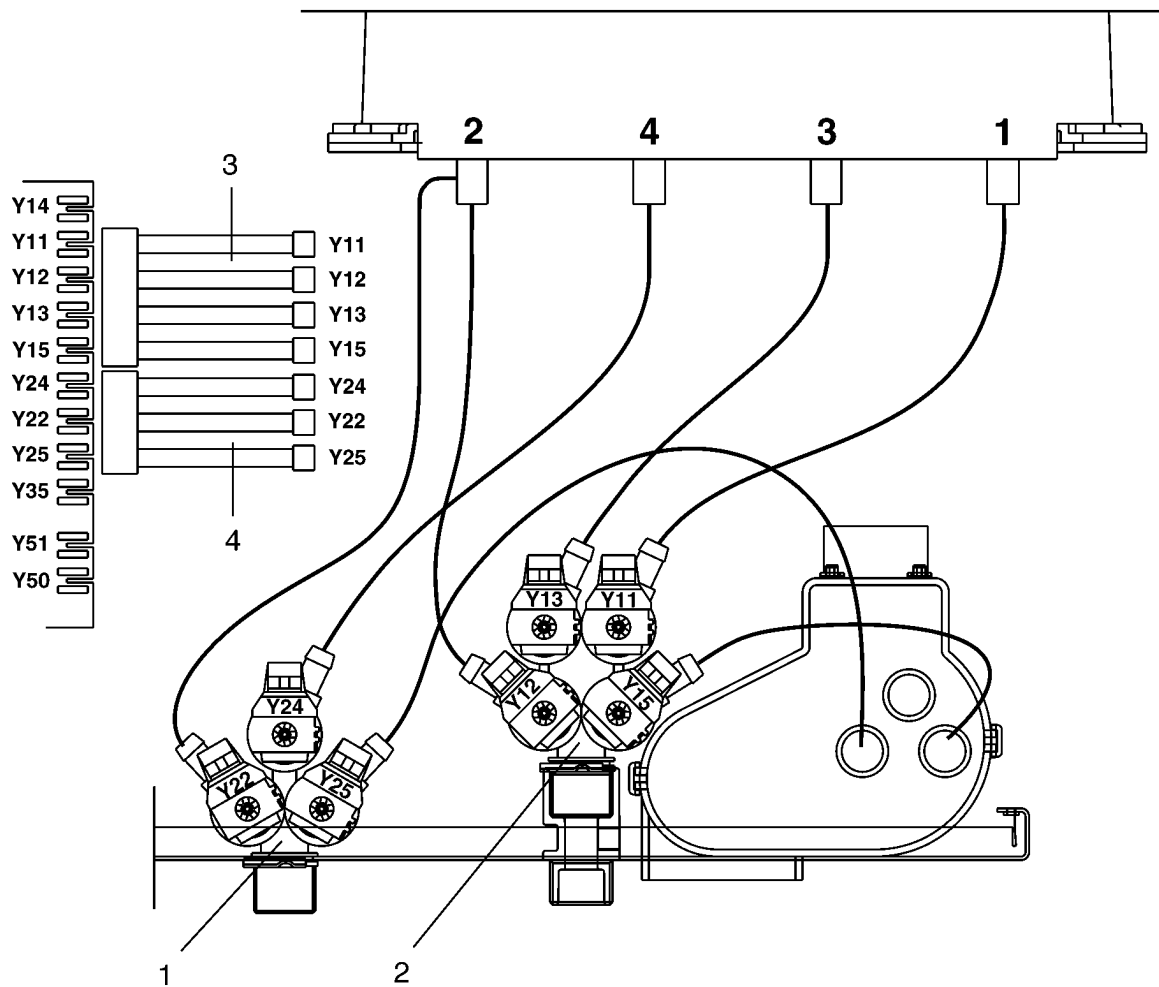
EX630c,EX630s

Inlet valves and cable set

Inlet valves and cable set

Illustration Issue Month Year
Schéma Issue Month Year
101779/2 2 9 2004

Item Article	Qua. Qua.	Art.No Réf. article	Description	Description	Info Info	Notes Remarques
1	2	471 8236-76	Valve	Electrovanne	1,2	3-way, 208-240V 50/60Hz, BSP
	2	471 8236-78	Valve	Electrovanne	1,2	3-way, 208-240V 50/60Hz, NH USA US
	2	471 6860-18	•Coil	•Bobine	1,2	208-240V Green
	2	471 6860-19	•Coil	•Bobine	1,2	208-240V Orange
3	2	471 6860-20	•Coil	•Bobine	3	208-240V White
	1	432 3086-81	Cable set	Jeu de câbles	3	X53:F- -650/16408
	1	432 3096-81	Cable set	Jeu de câbles	3	650/16409-
	1	432 3086-80	Cable set	Jeu de câbles	3	X53:H- -650/16408
	1	432 3096-80	Cable set	Jeu de câbles	3	650/16409-



Issue	Month	Year
01	03	05

EX630c,EX630s

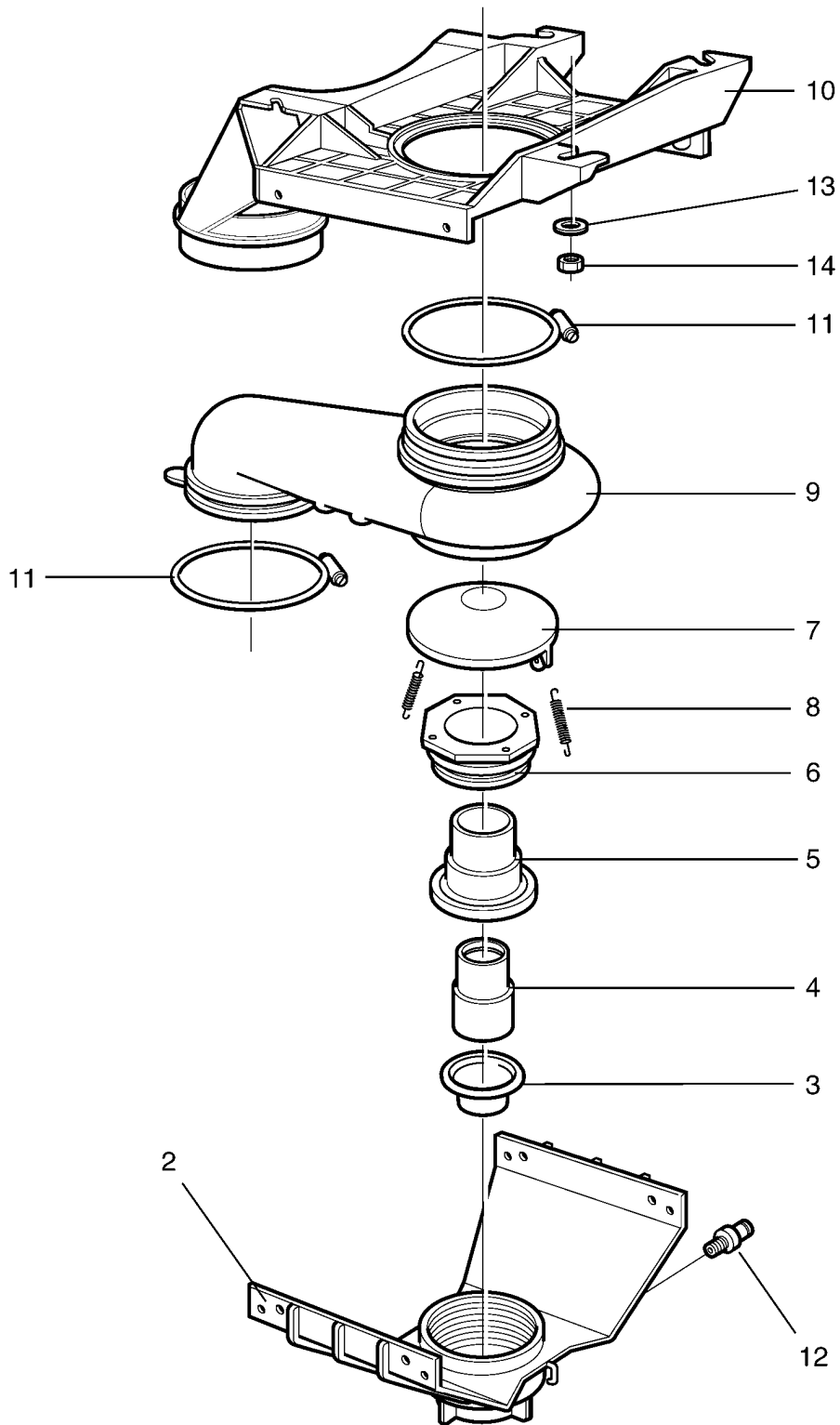
Inlet valves and cable set

Inlet valves and cable set

Illustration Issue Month Year
Schéma Issue Month Year
101780/2 2 9 2004

Item Article	Qua. Qua.	Art.No Réf. article	Description	Description	Info Info	Notes Remarques
1	1	471 8236-76	Valve	Electrovanne	1,2	3-way, 208-240V 50/60Hz, BSP
	1	471 8236-78	Valve	Electrovanne	1,2	3-way, 208-240V 50/60Hz, NH USA US
2	1	471 6860-18	•Coil	•Bobine	1,2	208-240V Green
	1	471 6860-19	•Coil	•Bobine	1,2	208-240V Orange
	1	471 6860-20	•Coil	•Bobine	1,2	208-240V White
	1	471 8240-64	Valve	Electrovanne	1,2	4-way, 208-240V 50/60Hz, BSP
	1	471 8240-68	Valve	Electrovanne	1,2	4-way, 208-240V 50/60Hz, NH USA US
	1	471 6860-15	•Coil	•Bobine	1,2	120V Green
	1	471 6860-16	•Coil	•Bobine	1,2	120V Orange
	1	471 6860-17	•Coil	•Bobine	1,2	120V White
	1	471 8240-90	•Coil	•Bobine	1,2	120V Grey
	1	471 6860-18	•Coil	•Bobine	1,2	208-240V Green
4	1	471 6860-19	•Coil	•Bobine	1,2	208-240V Orange
	1	471 6860-20	•Coil	•Bobine	1,2	208-240V White
	1	471 8240-91	•Coil	•Bobine	1,2	208-240V Grey
	1	432 3088-71	Cable set	Jeu de câbles	3	X53:F- -650/16408
	1	432 3098-71	Cable set	Jeu de câbles	3	650/16409-
	1	432 3086-80	Cable set	Jeu de câbles	3	X53:H- -650/16408
	1	432 3096-80	Cable set	Jeu de câbles	3	650/16409-

1



Issue	Month	Year
04	03	05

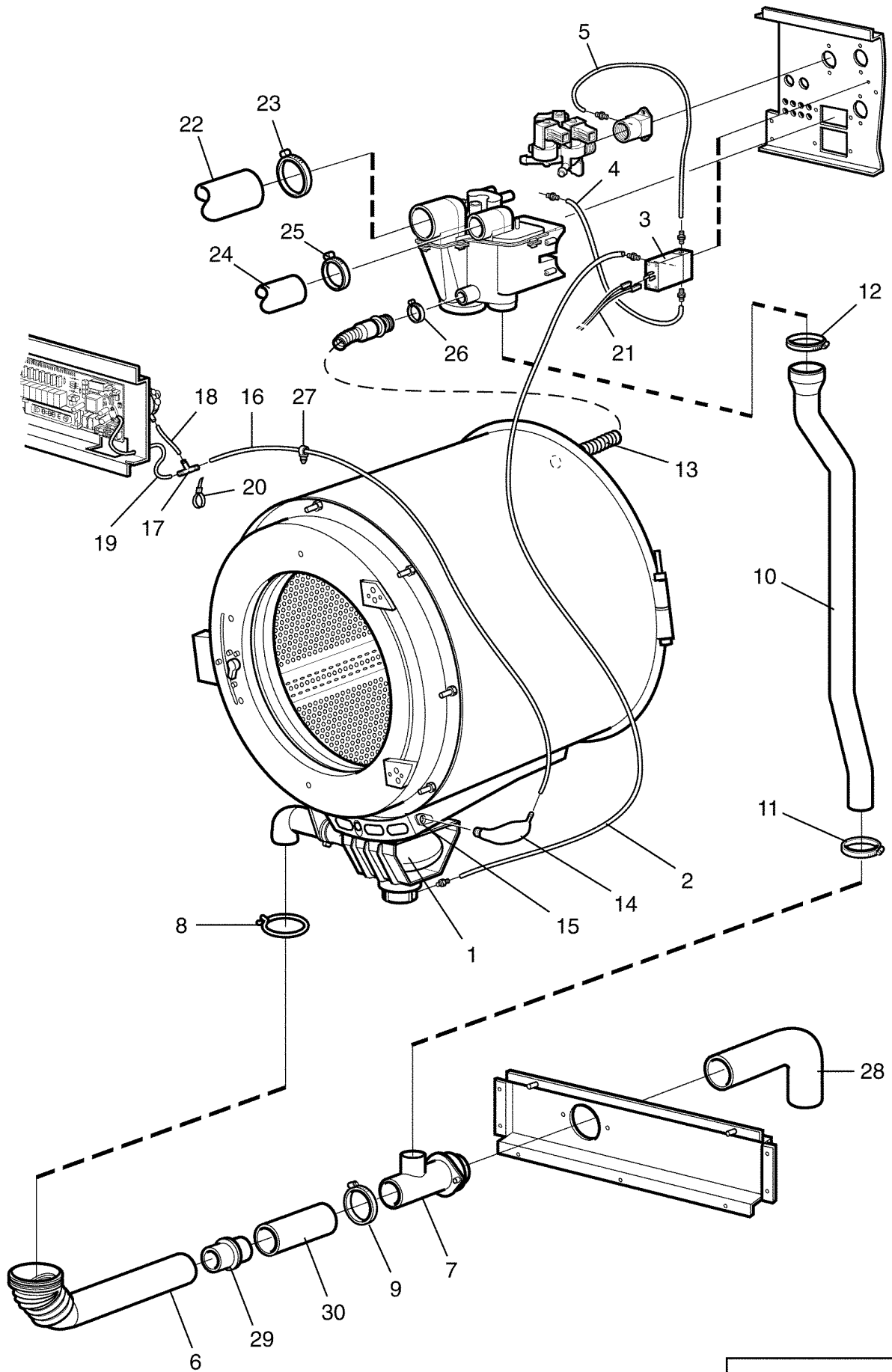
EX630c,EX630s

Drain valve

Vanne de vidange

Illustration Issue Month Year
Schéma Issue Month Year
101772/4 4 11 2008

Item Article	Qua. Qua.	Art.No Réf. article	Description	Description	Info Info	Notes Remarques
1	1	432 2502-01	Drain valve	Vanne de vidange	1,2	
2	1	438 0051-01	•Lower frame	•Châssis inférieur	3	
3	1	471 8195-01	•Diaphragm	•Diaphragme	1,2	
4	1	438 0054-01	•Piston	•Piston	3	
5	1	438 0053-01	•Housing	•Logement	3	
6	1	438 0055-01	•Gland	•Presse-étoupe	3	
7	1	438 0052-01	•Cover	•Couvercle	3	
8	2	471 7818-01	•Spring	•Ressort	1	
9	1	432 2505-01	•Hose housing	•Membrane de vidange	1,2	
10	1	432 2501-01	•Upper frame	•Partie supérieure	3	
11	2	471 7871-04	•Hose clamp	•Attache flexible	3	
12	1	471 8688-13	•Nipple	•Raccord	1	1/8"
13	4	734 1153-09	Washer	Rondelle	3	BRB 6,4X12
14	4	732 2116-42	Locking nut	Contre-écrou	3	M6



Issue	Month	Year
06	04	03

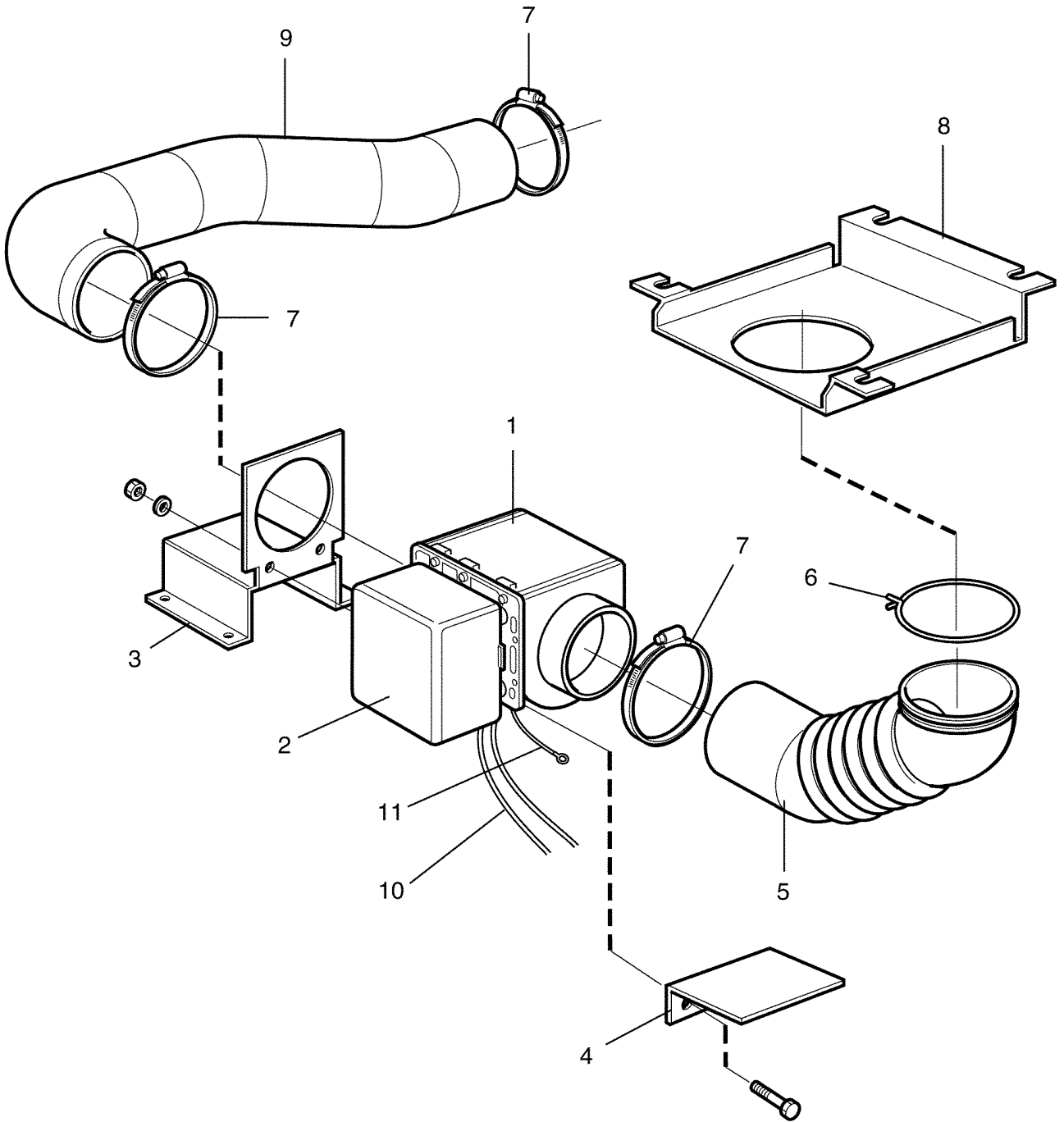
EX630c,EX630s

Drain valve and hoses

Purgeur et flexible

Illustration Issue Month Year
Schéma Issue Month Year
101767/5 6 11 2008

Item Article	Qua. Qua.	Art.No Réf. article	Description	Description	Info Info	Notes Remarques
1	1		Drain valve	Vanne de vidange		See illustr. 101772, 101924
2	1	471 8139-11	Hose	Flexible	1	L=1900
3	1	471 8243-04	Solenoid valve	Electrovanne	1,2	230V 50Hz -650/8829
	1	471 8243-07	Solenoid valve	Electrovanne	1,2	230V 50Hz 650/8830-
	1	471 8243-05	Solenoid valve	Electrovanne	1,2	208-240V 60Hz -650/8829
	1	471 8243-08	Solenoid valve	Electrovanne	1,2	208-240V 60Hz 650/8830-
	1	471 8243-06	Solenoid valve	Electrovanne	1,2	120V 60Hz -650/8829
	1	471 8243-09	Solenoid valve	Electrovanne	1,2	120V 60Hz 650/8830-
	1	471 8243-10	Solenoid valve	Electrovanne	1,2	230V 50/60Hz Japan 650/8830-
4	1	471 8139-01	Hose	Flexible	1	L=330 -650/8829
	1	438 8102-06	Hose	Flexible	1	L=330 650/8830-
5	1	471 8139-01	Hose	Flexible	1	L=330
6	1	432 2516-02	Hose	Flexible	1	
7	1	432 2511-01	Drain pipe connection	Raccord de vidange	3	
8	1	471 7871-07	Hose clamp	Attache flexible	3	
9	1	736 2840-51	Hose clamp	Attache flexible	3	Ø50-63 -650/17794
10	1	432 2521-03	Hose	Flexible	1	
11	1	736 2837-51	Hose clamp	Attache flexible	3	Ø48-54
12	1	736 2837-51	Hose clamp	Attache flexible	3	Ø48-54
13	1	432 2508-02	Hose	Flexible	1	
14	1	432 2507-01	Air tube	Chambre de compression	1	
15	1	432 2506-01	Connection	Connexion	3	
16	1	471 2436-08	Hose	Flexible	1	L=1150
17	1	471 2265-69	T-pipe	Tube en T	3	
18	1	471 2442-42	Hose	Flexible	1,2	L=120 Clarus
	1	471 2449-95	Hose	Flexible	1	L=100 Exacta
19	1	471 2464-18	Hose	Flexible	1	L=280 Clarus
	1	471 8118-02	Hose	Flexible	1	L=60 Exacta
20	1	471 7873-02	Cable tie	Collier de serrage	3	
21	1	432 3182-41	Cable set	Jeu de câbles	3	X50
22	1	471 8128-60	Hose	Flexible	1	
23	2	736 2840-51	Hose clamp	Attache flexible	3	Ø50-63
24	1	471 8124-02	Hose	Flexible	1	
25	2	736 2831-51	Hose clamp	Attache flexible	3	Ø36-42
26	1	736 2825-51	Hose clamp	Attache flexible	3	Ø32
27	3	471 7887-01	Clip	Colliers de serrage	3	
28	1	471 4835-01	Drain hose	Flexible de vidange	1	Ø75



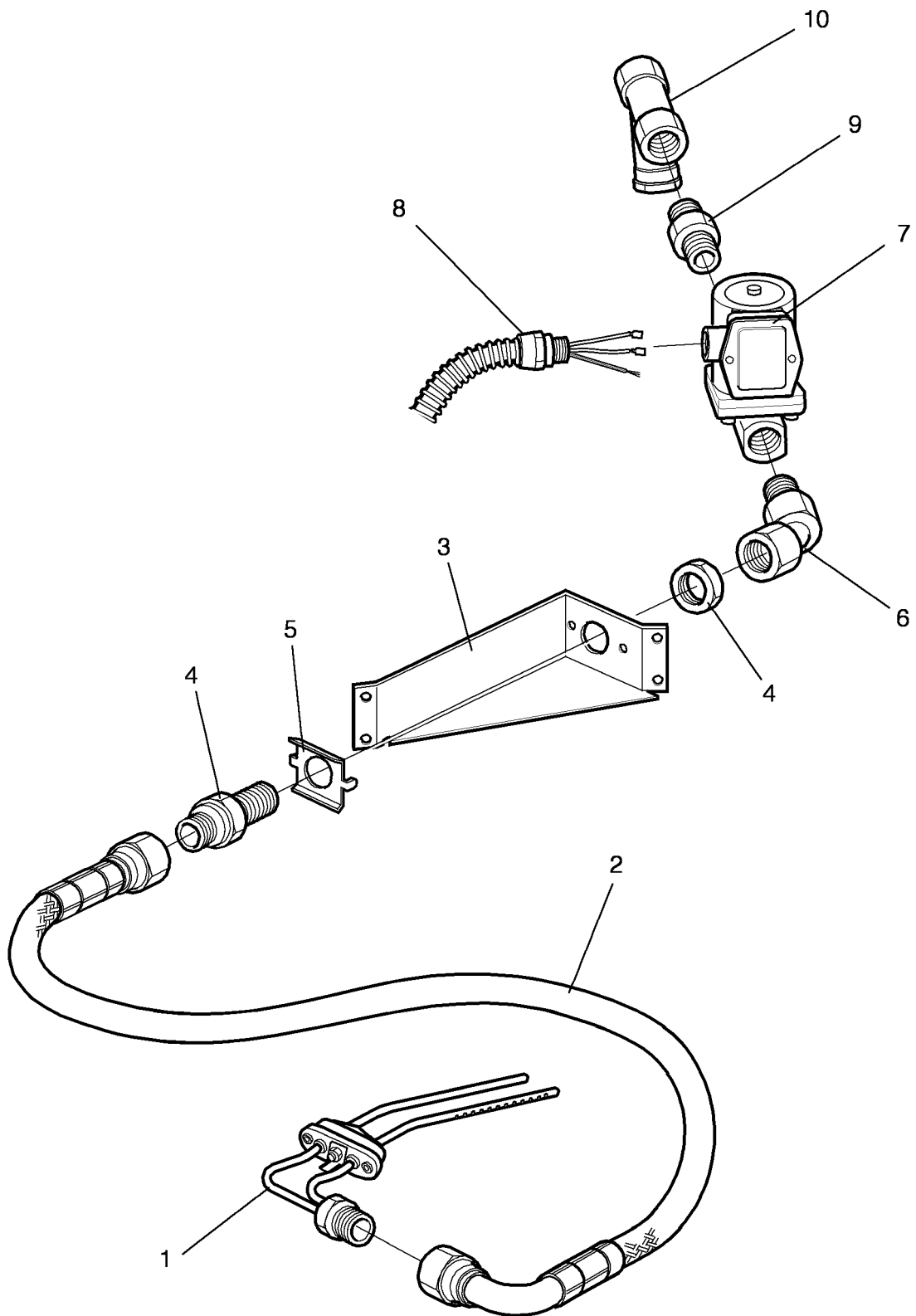
EX630c,EX630s

Drain valve, electrical

Drain valve, electrical

Illustration Issue Month Year
Schéma Issue Month Year
101924/2 7 8 2006

Item Article	Qua. Qua.	Art.No Réf. article	Description	Description	Info Info	Notes Remarques
1	1	471 8215-01	Drain valve	Vanne de vidange	1,2	50/60Hz
	1	471 8215-03	Drain valve	Vanne de vidange	1,2	50/60Hz Normally closed
2	1	432 2548-01	Cover	Couvercle	1	
3	1	432 2531-01	Mounting plate	Plaque de montage	3	
4	1	432 2537-01	Support	Support	3	
5	1	432 2516-04	Hose	Flexible	1	
6	1	471 7871-07	Hose clamp	Attache flexible	3	
7	3	736 2846-51	Hose clamp	Attache flexible	3	Ø73-83
8	1	432 2534-01	Mounting plate	Plaque de montage	3	
9	1	432 2518-01	Hose	Flexible	1	
10	1	432 2903-02	Cable set	Jeu de câbles	3	-650/16408
	1	432 3003-02	Cable set	Jeu de câbles	3	650/16409-
11	1	432 2982-10	Ground cable	Câble mise terre	3	



101918

Issue	Month	Year
01	10	02

EX630c,EX630s

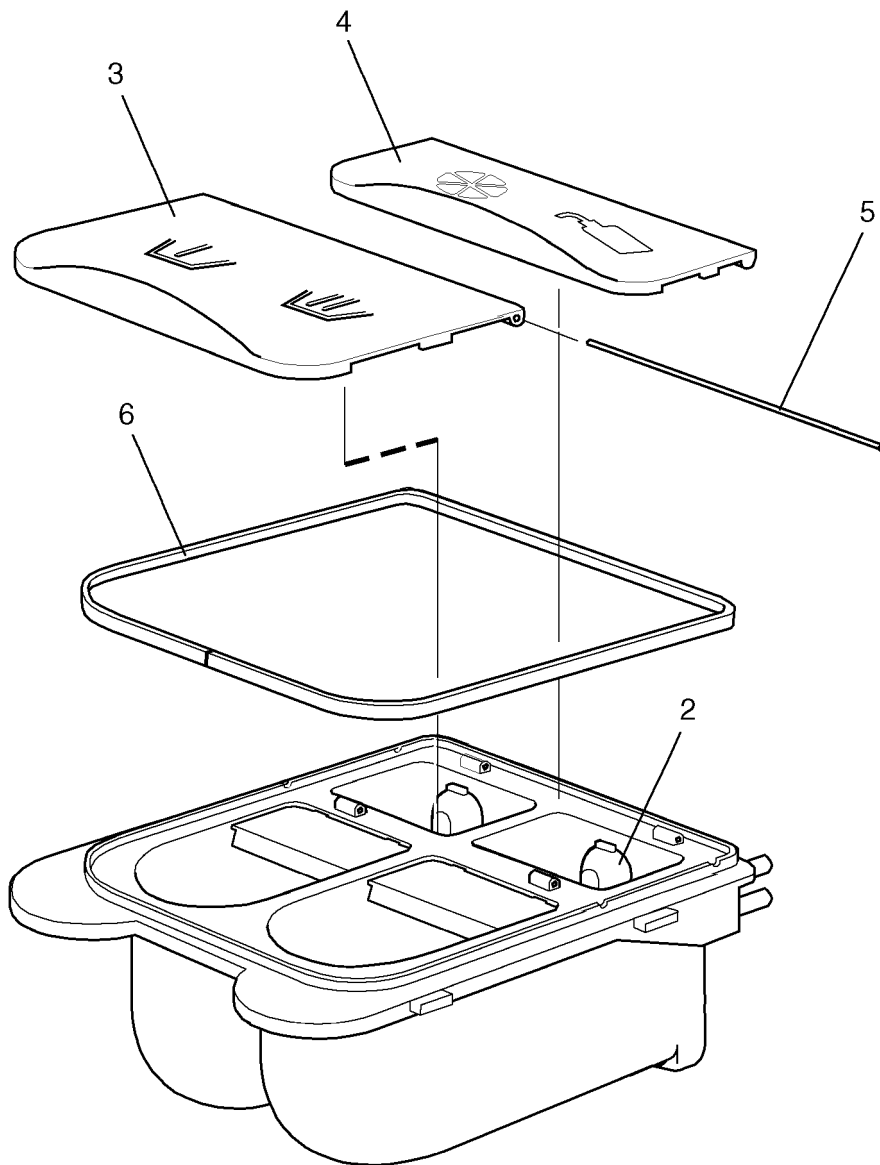
Steam components

Illustration Issue Month Year
Schéma Issue Month Year
101918/1 3 6 2003

Composants

Item Article	Qua. Qua.	Art.No Réf. article	Description	Description	Info Info	Notes Remarques
1	1	432 1631-01	Steam injector	Injecteur de vapeur	3	
2	1	471 8126-27	Steam hose	Tuyau flexible de vapeur	1	
3	1	432 1673-01	Bracket	Pupitre	3	
4	1	471 8695-01	Nipple	Raccord	3	
5	1	471 2937-01	Bracket	Support	3	
6	1	471 8697-01	Adapter	Adaptateur	3	
7	1	471 8279-03	Valve	Electrovanne	1,2	50/60 Hz
	1	471 8279-08	•Repair kit	•Kit de réparation	1,2	
8	1	432 2958-01	Cable set	Jeu de câbles	3	
9	1	471 8624-01	Nipple	Raccord	3	
10	1	744 3113-06	Filter	Filtre	3	1/2"

1



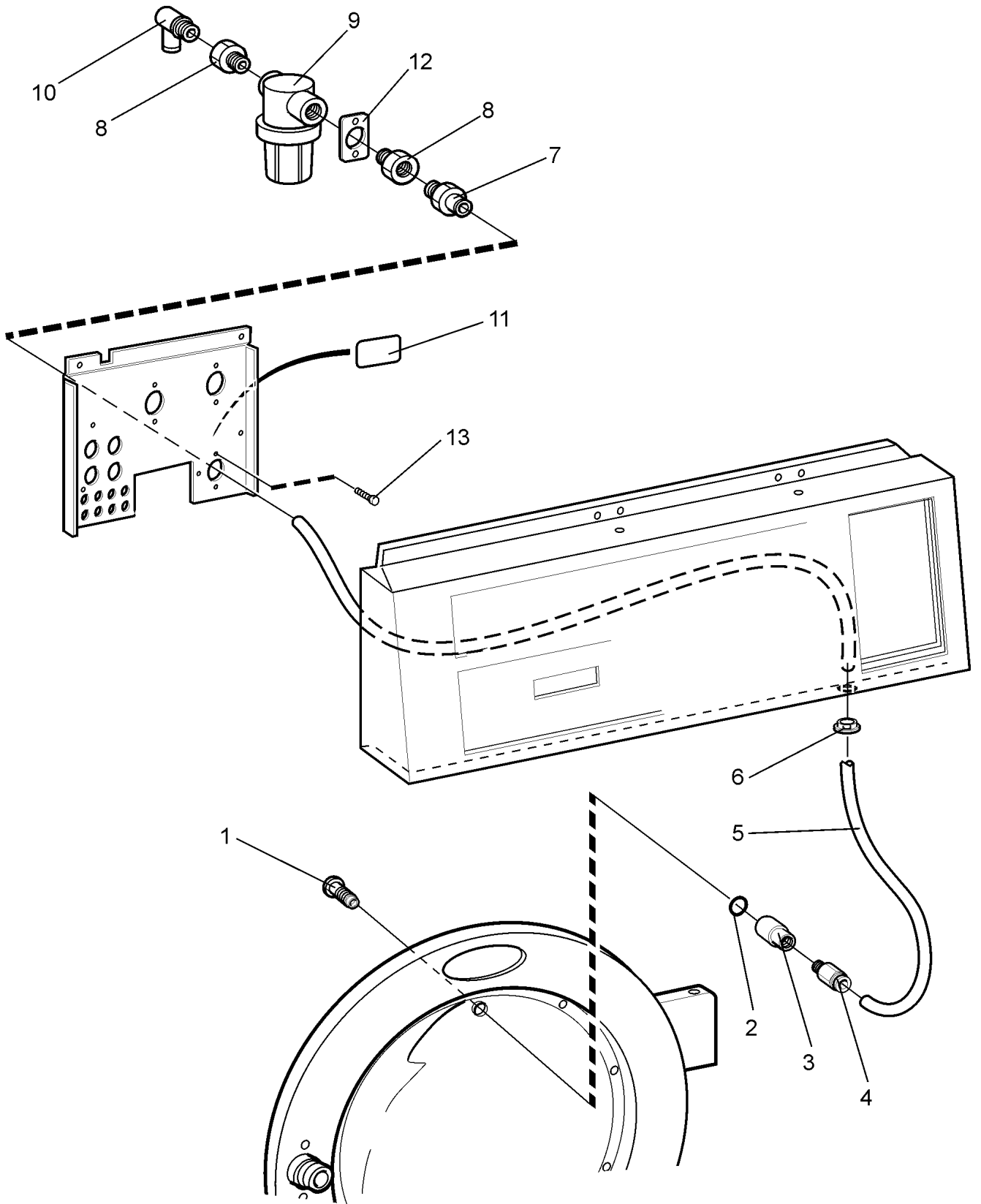
EX630c,EX630s

Detergent container

Compartiment à savon

Illustration Issue Month Year
Schéma Issue Month Year
101771/2 5 4 2003

Item Article	Qua. Qua.	Art.No Réf. article	Description	Description	Info Info	Notes Remarques
1	1	432 2401-01	Detergent container	Compartiment à savon	1,2	
2	2	432 2404-01	•Siphon	•Siphon	1,2	
3	1	432 2405-01	•Cover	•Couvercle	1,2	
4	1	432 2406-01	•Cover	•Couvercle	1,2	
5	2	432 2407-01	•Shaft	•Arbre	3	
6	1	438 8103-01	•Seal	•Joint	1,2	
7	1	432 2409-01	Cover	Couvercle	3	



Issue	Month	Year
01	10	02

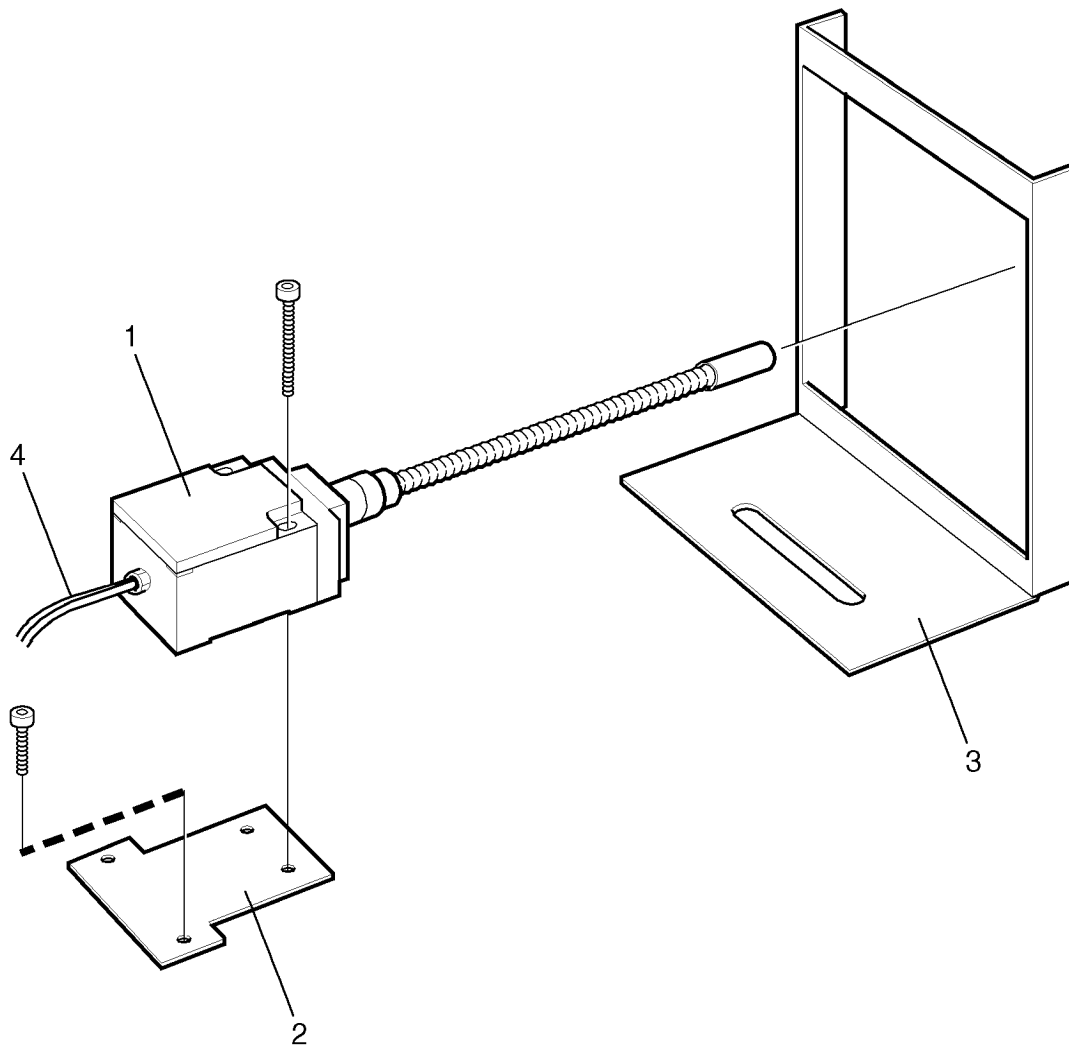
EX630c,EX630s

Spray system

Assemblage articulé et plaque

Illustration	Issue	Month	Year
Schéma	Issue	Month	Year
101931/2	2	2	2002

Item Article	Qua. Qua.	Art.No Réf. article	Description	Description	Info Info	Notes Remarques
1	1	471 9883-02	Nozzle	Tuyère	1	
2	2	740 4209-00	O-ring	Joint torique	1	
3	1	471 9884-01	Muff	Tubulure	3	
4	1	471 8690-33	Connection	Embrayage	3	
5	1	471 8143-01	Tube	Tube	1,2	L=3000
6	1	762 1116-10	Grommet	Oeillet	3	
7	1	471 8688-14	Nipple	Raccord	3	
8	2	471 8636-20	Nipple	Raccord	3	
9	1	438 4125-01	Filter	Filtre	1,2	
10	1	471 8690-28	Angle connector	Raccord d'angle	3	
11	1	471 4672-08	Sign	Signe	3	
12	1	432 2310-01	Mounting plate	Plaque de montage	3	
13	2	471 8342-11	Screw	Vis	3	MRT-TT 4X6



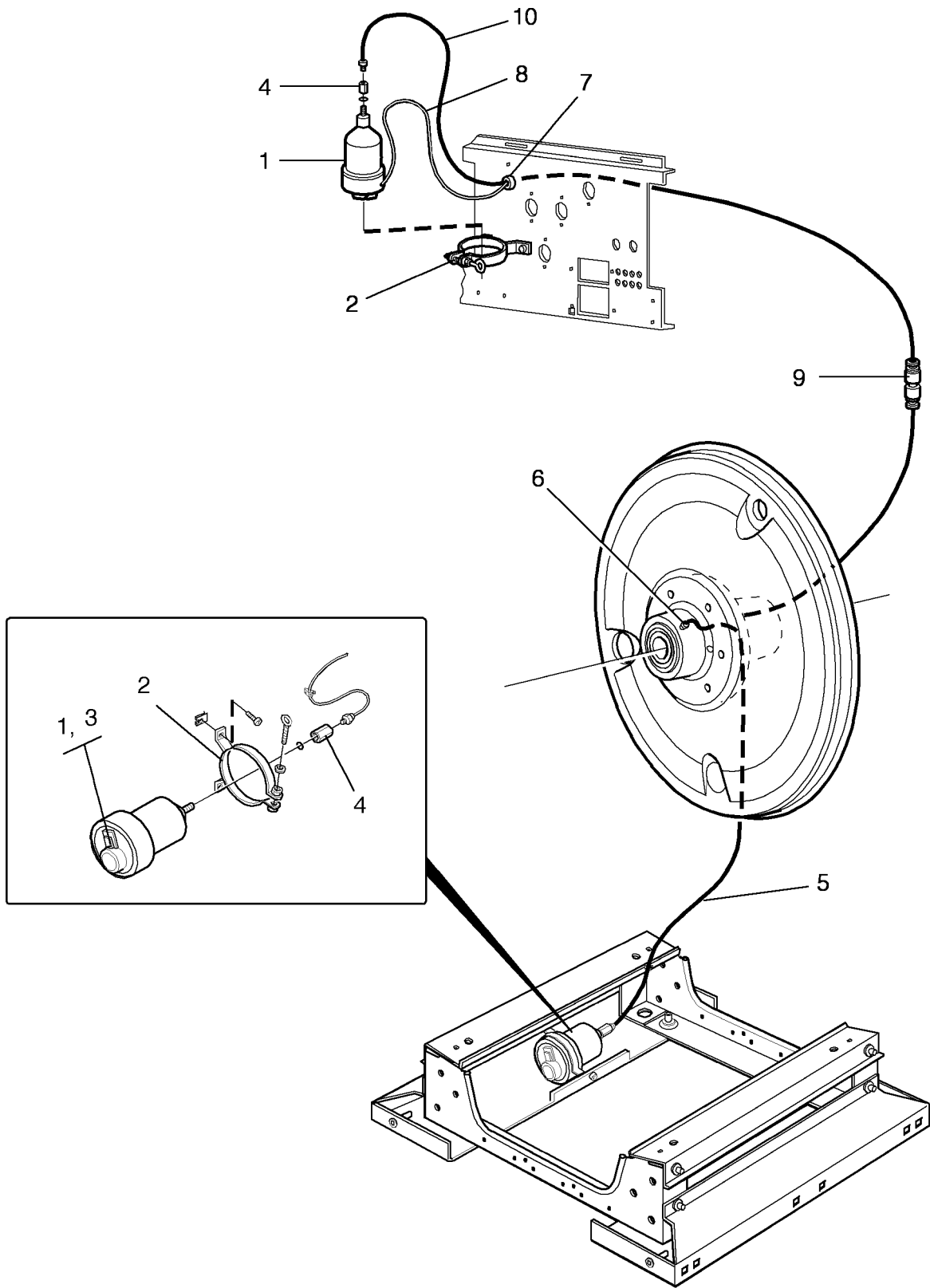
EX630c,EX630s

Out of balance switch

Commutateur asymétrique

Illustration	Issue	Month	Year
Schéma	Issue	Month	Year
101922/1	2	9	2004

Item Article	Qua. Qua.	Art.No Réf. article	Description	Description	Info Info	Notes Remarques
1	1	471 9608-01	Out of balance switch	Commutateur asymétrique	1,2	
2	1	432 2183-01	Mounting plate	Plaque de montage	3	
3	1	432 2184-01	Frame	Châssis	3	
4	1	432 2987-01	Cable set	Jeu de câbles	3	-650/16408
	1	432 2987-02	Cable set	Jeu de câbles	3	650/16409-



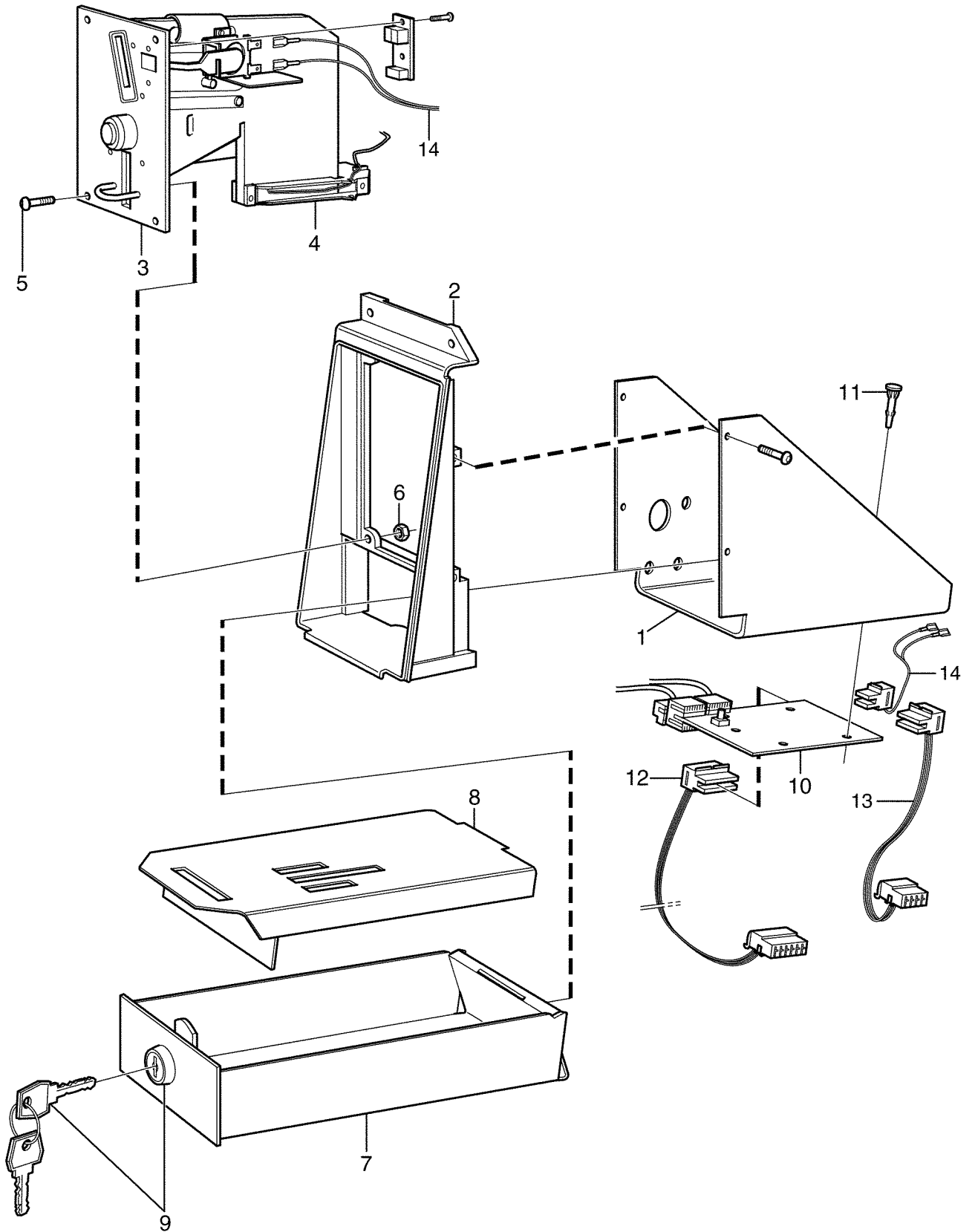
EX630c -650/10687,EX630s

Lubrication

Illustration Issue Month Year
Schéma Issue Month Year
101914/2 2 1 2002

Lubrication

Item Article	Qua. Qua.	Art.No Réf. article	Description	Description	Info Info	Notes Remarques
1	1	471 8276-02	Pump	Pompe	1,2	Complete
2	1	471 8276-12	Bracket	Pièce de retenue	3	
3	1	471 8276-13	Cable	Câble	3	
4	1	471 8690-72	Nipple	Raccord	3	Complete
5	1	471 8139-08	Hose	Flexible	1	L=1100
6	1	471 8690-73	Angle connector	Raccord d'angle	3	
7	1	471 8164-00	Grommet	Oeillet	3	D7
8	1	471 8276-14	Cable	Câble	3	
9	1	471 8690-52	Nipple	Raccord	3	
10	1	471 8139-07	Hose	Flexible	1	L=550



Issue	Month	Year
01	10	01

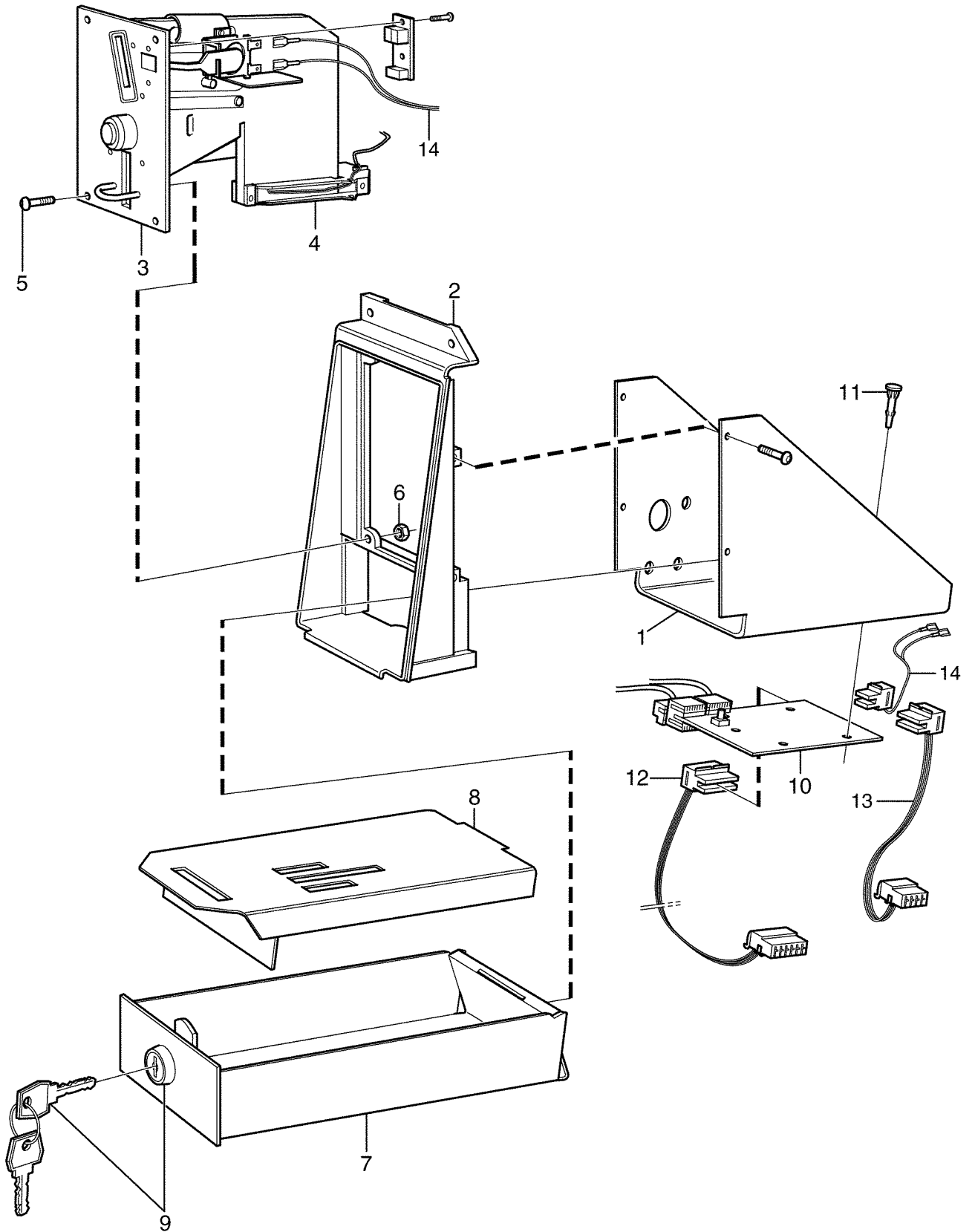
EX630c,EX630s

Coin meter with slot locking device

Coin meter with slot locking device

Illustration Issue Month Year
Schéma Issue Month Year
101983/1 4 10 2009

Item Article	Qua. Qua.	Art.No Réf. article	Description	Description	Info Info	Notes Remarques
1	1	432 2185-01	Bracket	Pupitre	3	
2	1	472 9913-21	Frame	Châssis	3	
3	1	438 8916-01	Coin meter	Monnayeur	3	1 Coin, 1 SEK
	1	438 8916-02	Coin meter	Monnayeur	3	TOKEN Ø23.5x1.7
	1	438 8916-03	Coin meter	Monnayeur	3	TOKEN Ø24,3x1,5
	1	438 8916-04	Coin meter	Monnayeur	3	2 Coins, 10+50 new pence GB
	1	438 8916-05	Coin meter	Monnayeur	3	2 Coins, 5+1 DKR
	1	438 8916-06	Coin meter	Monnayeur	3	TOKEN Ø23.7x1.6
	1	438 8916-08	Coin meter	Monnayeur	3	2 Coins, 0.2+0.5 GBP
	1	438 8916-09	Coin meter	Monnayeur	3	TOKEN Ø25.0x2.0
	1	438 8916-10	Coin meter	Monnayeur	3	1 Coin, 50 new cent Singapore
	1	438 8916-11	Coin meter	Monnayeur	3	2 Coins, 1+5 DKR
	1	438 8916-12	Coin meter	Monnayeur	3	TOKEN Ø22.5x1.5
	1	438 8916-13	Coin meter	Monnayeur	3	TOKEN Ø27.0x1.6
	1	438 8916-14	Coin meter	Monnayeur	3	TOKEN Ø22,0x1,5
	1	438 8916-16	Coin meter	Monnayeur	3	TOKEN Ø19,0x1,0
	1	438 8916-17	Coin meter	Monnayeur	3	TOKEN Ø22.35x1.6
	1	438 8916-18	Coin meter	Monnayeur	3	1 Coin, 10 TWD
	1	438 8916-19	Coin meter	Monnayeur	3	2 Coins, 0,2 + 1 GBP
	1	438 8916-20	Coin meter	Monnayeur	3	2 Coins, 1+5 NKR
	1	438 8916-21	Coin meter	Monnayeur	3	1 Coin, 5 SEK
	1	438 8916-22	Coin meter	Monnayeur	3	2 Coins, 1+10 DKR
	1	438 8916-23	Coin meter	Monnayeur	3	TOKEN Ø25.0x1.8
	1	438 8916-24	Coin meter	Monnayeur	3	TOKEN Ø25.8x1.7
	1	438 8916-25	Coin meter	Monnayeur	3	TOKEN Ø26.0x2.1
	1	438 8916-26	Coin meter	Monnayeur	3	1 Coin, 100 YEN
	1	438 8916-27	Coin meter	Monnayeur	3	2 Coins, 100+500 YEN
	1	438 8916-29	Coin meter	Monnayeur	3	1 Coin, 20 pence GB
	1	438 8916-30	Coin meter	Monnayeur	3	1 Coin, 25 cent USA
	1	438 8916-31	Coin meter	Monnayeur	3	1 Coin, 1 HKD
	1	438 8916-34	Coin meter	Monnayeur	3	2 Coins, 10+50 pence GB
	1	438 8916-35	Coin meter	Monnayeur	3	2 Coins, 1+10 NKR
	1	438 8916-36	Coin meter	Monnayeur	3	1 Coin, 500 KRW
	1	438 8916-37	Coin meter	Monnayeur	3	2 Coins, 0,2+1 AUD
	1	438 8916-38	Coin meter	Monnayeur	3	2 Coins, 1+5 DKR
	1	438 8916-39	Coin meter	Monnayeur	3	2 Coins, 1+10 DKR
	1	438 8916-40	Coin meter	Monnayeur	3	2 Coins, 2+5 DKR
	1	438 8916-41	Coin meter	Monnayeur	3	2 Coins, 2+10 DKR
	1	438 8916-42	Coin meter	Monnayeur	3	1 Coin, 50 cent Malaysia
	1	438 8916-44	Coin meter	Monnayeur	3	2 Coins, 0,5+1 GBP
	1	438 8916-45	Coin meter	Monnayeur	3	1 Coin, 1 GBP
	1	438 8916-47	Coin meter	Monnayeur	3	TOKEN Ø19.0x1.5
	1	438 8916-48	Coin meter	Monnayeur	3	2 Coins, 10+50 TWD
	1	438 8916-49	Coin meter	Monnayeur	3	1 Coin, 20 Korung CZ
	1	438 8916-50	Coin meter	Monnayeur	3	1 Coin, 5 DM
	1	438 8916-51	Coin meter	Monnayeur	3	2 Coins, 1+5 ILS
	1	438 8916-52	Coin meter	Monnayeur	3	Token Ø28.1x1.65
	1	438 8916-53	Coin meter	Monnayeur	3	2 Coins, 1+10 NKR
	1	438 8916-55	Coin meter	Monnayeur	3	2 Coins, 2+5 ZAR
	1	438 8916-56	Coin meter	Monnayeur	3	2 Coins 0,5+1 MYR
	1	438 8916-57	Coin meter	Monnayeur	3	1 Coin, 1 SGD
	1	438 8916-58	Coin meter	Monnayeur	3	2 Coins, 2+5 ZAR
	1	438 8916-59	Coin meter	Monnayeur	3	2 Coins, 1+2 AUD
	1	438 8916-60	Coin meter	Monnayeur	3	2 Coins, 5+1 HKD
	1	438 8916-63	Coin meter	Monnayeur	3	TOKEN Ø24,3x1,5
	1	438 8916-64	Coin meter	Monnayeur	3	Token Ø20.0x2.0
	1	438 8916-65	Coin meter	Monnayeur	3	1 Coins, 1 HKD
	1	438 8916-66	Coin meter	Monnayeur	3	2 Coins, 1+0.25 USD
	1	438 8916-67	Coin meter	Monnayeur	3	2 Coins, 0.1+0.5 Euro



Issue	Month	Year
01	10	01

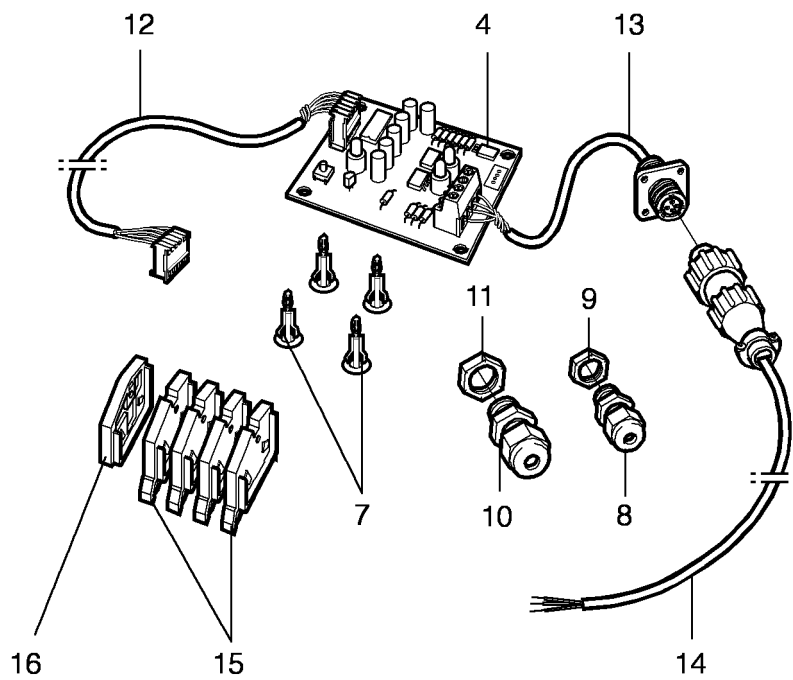
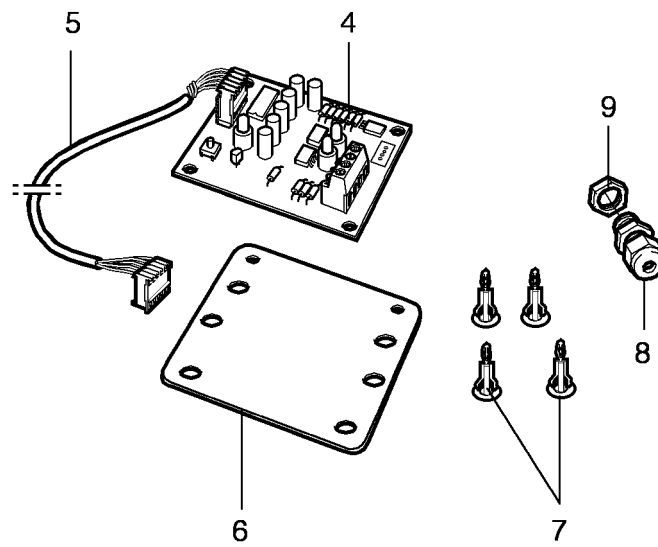
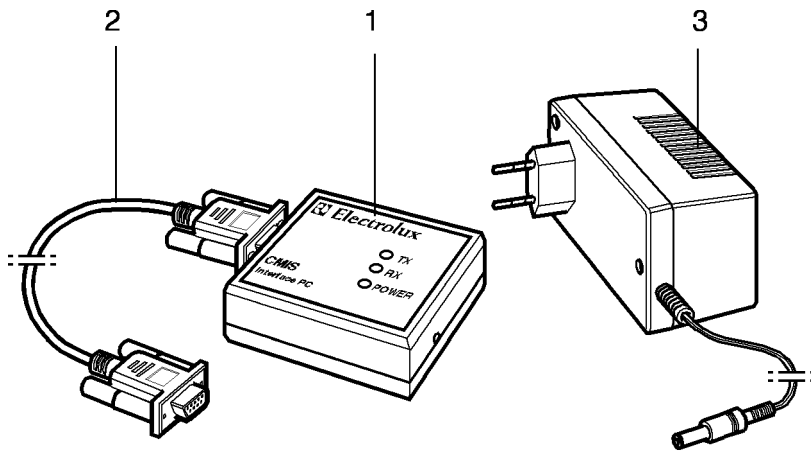
EX630c,EX630s

Coin meter with slot locking device

Coin meter with slot locking device

Illustration Issue Month Year
Schéma Issue Month Year
101983/1 4 10 2009

Item Article	Qua. Qua.	Art.No Réf. article	Description	Description	Info Info	Notes Remarques
	1	438 8916-68	Coin meter	Monnayeur	3	2 Coins, 0.2+2 Euro
	1	438 8916-69	Coin meter	Monnayeur	3	1 Coin, 1 EUcent
	1	438 8916-70	Coin meter	Monnayeur	3	1 Coins, 20 EUcent
	1	438 8916-71	Coin meter	Monnayeur	3	1 Coins, 50 EUcent
	1	438 8916-72	Coin meter	Monnayeur	3	1 Coin, 1 Euro
	1	438 8916-73	Coin meter	Monnayeur	3	1 Coin, 2 Euro
	1	438 8919-01	Coin meter	Monnayeur	3	2 Coins. JPY 100+500
	1	438 8919-02	Coin meter	Monnayeur	3	2 Coins, JPY 100+news 500
	1	438 8916-74	Coin meter	Monnayeur	3	2 Coins, 0.5+1 Euro
	1	438 8916-75	Coin meter	Monnayeur	3	1 Coin, CYP 0.5
	1	438 8916-76	Coin meter	Monnayeur	3	Token 32x2
	1	438 8916-77	Coin meter	Monnayeur	3	2 Coins, 0.2+1 Euro
	1	438 8916-78	Coin meter	Monnayeur	3	1 Coin, 1MYR
4	1	438 8910-91	•Sensor	•Décteur	1,2	
5	4	471 8910-90	Screw	Vis	3	
6	4	731 2312-01	Nut	Écrou	3	M4
7	1		Coin box	Boîtier à jetons		Complete Included in pos 2
8	1		•Coin box	•Boîtier à jetons		
9	1	432 2204-01	•Cover	•Couvercle	3	
10	1	472 9919-30	•Lock	•Serrure	1,2	Random key
11	1	438 8790-01	Printed circuit board	Circuit imprimé	1,2	
12	4	471 7958-02	Support	Support	3	
13	1	432 3086-15	Cable set	Jeu de câbles	3	-650/16408
	1	432 3096-15	Cable set	Jeu de câbles	3	650/16409-
14	1	432 3084-01	Cable set	Jeu de câbles	3	-650/16408
	1	432 3094-01	Cable set	Jeu de câbles	3	650/16409-
15	1	432 3082-71	Cable set	Jeu de câbles	3	X232 -650/16408
	1	432 3092-71	Cable set	Jeu de câbles	3	650/16409-



Issue	Month	Year
01	10	02

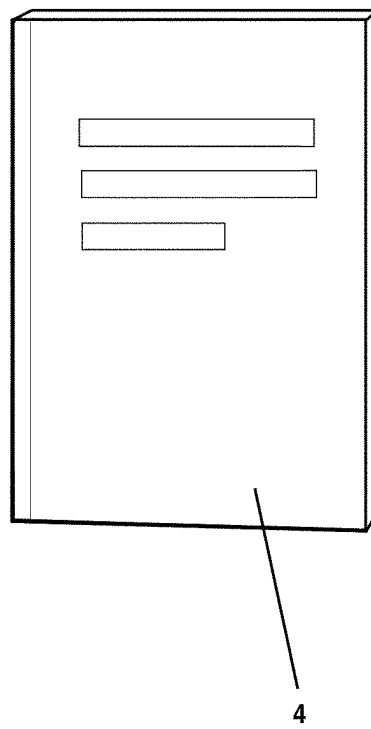
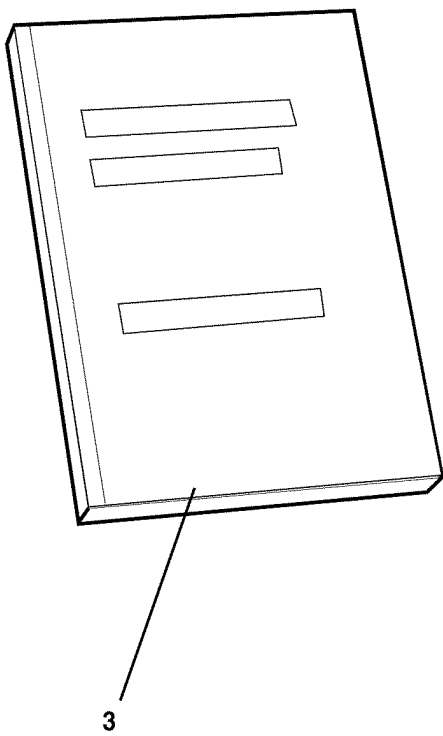
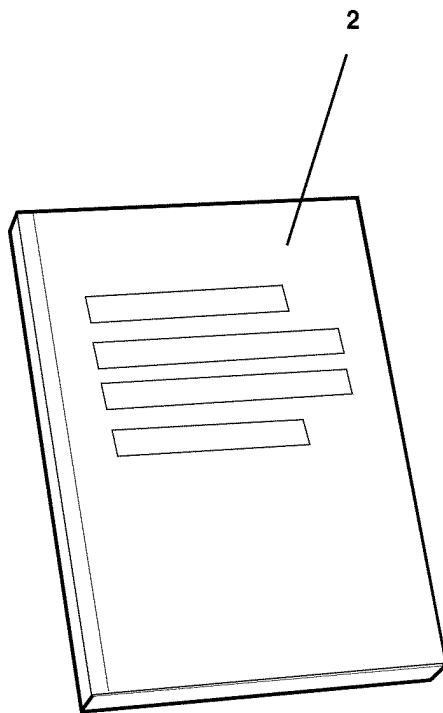
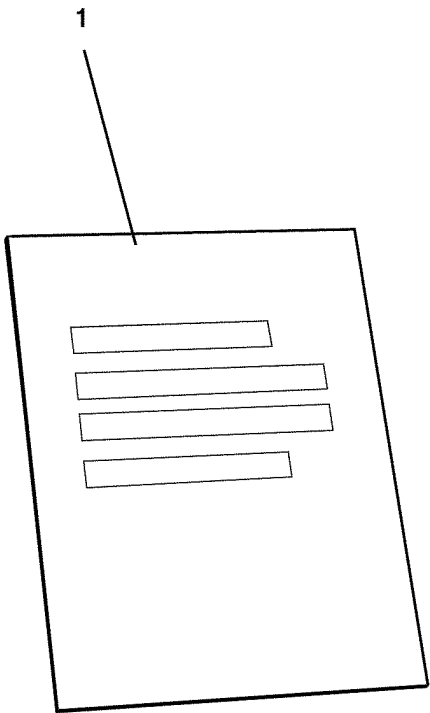
EX630c,EX630s

CMIS

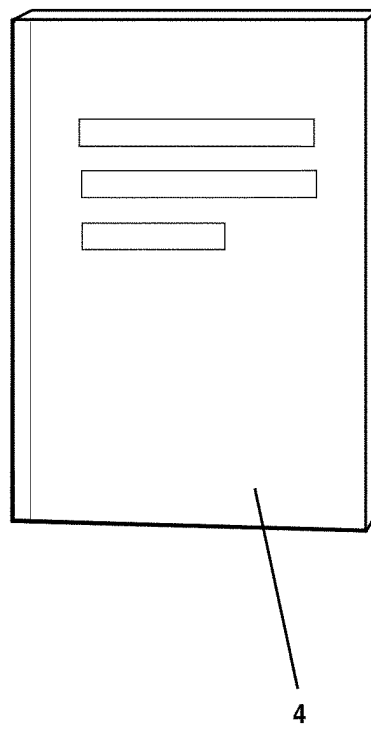
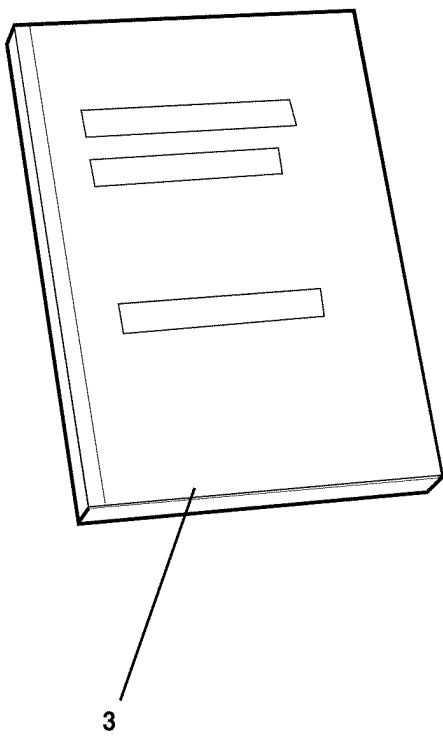
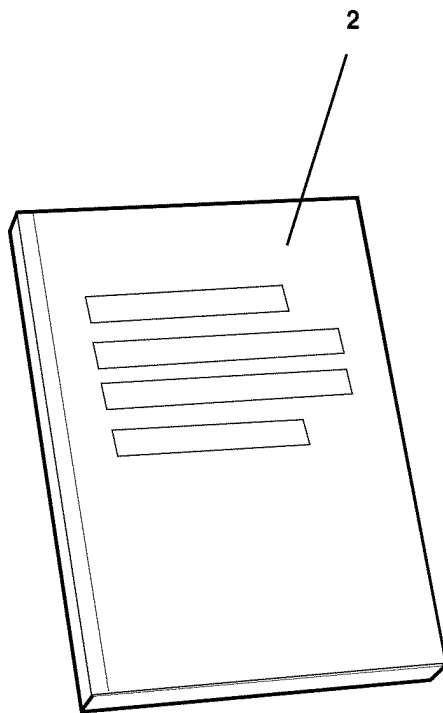
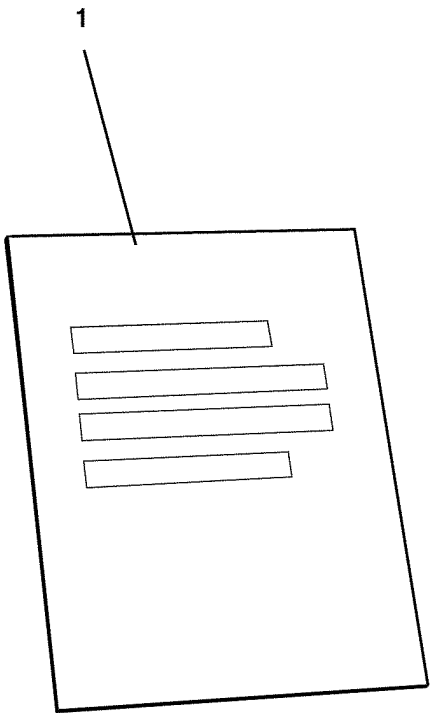
CMIS

Illustration Issue Month Year
Schéma Issue Month Year
102107/1 2 3 2008

Item Article	Qua. Qua.	Art.No Réf. article	Description	Description	Info Info	Notes Remarques
1	1	438 8796-01	Interface PC	Interface PC	1	Complete
2	1	438 8793-01	Cable	Câble	3	Complete
3	1	471 9680-01	Battery eliminator	Battery eliminator	3	24V
4	1	438 8791-01	CMIS Interface	CMIS Interface	1	
5	1	432 2933-03	Cable set	Jeu de câbles	3	
6	1	471 4601-01	Bracket	Pupitre	3	
7	4	471 7958-02	Support	Support	3	
8	1	471 8780-01	Screw fitting	Vis de raccord	3	15,2
9	1	471 8780-31	Nut	Écrou	3	15
10	1	471 8780-02	Screw fitting	Vis de raccord	3	18,2
11	1	471 8780-32	Nut	Écrou	3	18
12	1	432 2933-02	Cable set	Jeu de câbles	3	
13	1	438 7300-87	Cable set	Jeu de câbles	3	
14	1	438 7300-88	Cable set	Jeu de câbles	3	
15	4	438 8762-01	Block	Cale	3	
16	1	438 8762-11	Block	Cale	3	



EX630c,EX630s							
Technical documentation				Illustration	Issue	Month	Year
Documentation technique				Schéma	Issue	Month	Year
				101969/1	1	5	1
Item Article	Qua. Qua.	Art.No Réf. article	Description	Description	Info Info	Notes Remarques	
1	1	438 9200-00	Installation instructions	Instructions installation	1	Exacta/Clarus Swedish	
	1	438 9200-01	Installation instructions	Instructions installation	1	Exacta/Clarus English	
	1	438 9200-02	Installation instructions	Instructions installation	1	Exacta/Clarus German	
	1	438 9200-03	Installation instructions	Instructions installation	1	Exacta/Clarus French	
	1	438 9200-04	Installation instructions	Instructions installation	1	Exacta/Clarus Spanish	
	1	438 9200-05	Installation instructions	Instructions installation	1	Exacta/Clarus Danish	
	1	438 9200-06	Installation instructions	Instructions installation	1	Exacta/Clarus Finnish	
	1	438 9200-07	Installation instructions	Instructions installation	1	Exacta/Clarus Norwegian	
	1	438 9200-08	Installation instructions	Instructions installation	1	Exacta/Clarus Dutch	
	1	438 9200-09	Installation instructions	Instructions installation	1	Exacta/Clarus Italian	
	1	438 9200-10	Installation instructions	Instructions installation	1	Exacta/Clarus Portuguese	
2	1	438 9200-11	Installation instructions	Instructions installation	1	Exacta/Clarus Japanese	
	1	438 9200-50	User instructions	Instruction de fonctionnement	1	Exacta Swedish	
	1	438 9200-51	User instructions	Instruction de fonctionnement	1	Exacta English	
	1	438 9200-52	User instructions	Instruction de fonctionnement	1	Exacta German	
	1	438 9200-53	User instructions	Instruction de fonctionnement	1	Exacta French	
	1	438 9200-54	User instructions	Instruction de fonctionnement	1	Exacta Spanish	
	1	438 9200-55	User instructions	Instruction de fonctionnement	1	Exacta Danish	
	1	438 9200-56	User instructions	Instruction de fonctionnement	1	Exacta Finnish	
	1	438 9200-57	User instructions	Instruction de fonctionnement	1	Exacta Norwegian	
	1	438 9200-58	User instructions	Instruction de fonctionnement	1	Exacta Dutch	
	1	438 9200-59	User instructions	Instruction de fonctionnement	1	Exacta Italian	
	1	438 9200-60	User instructions	Instruction de fonctionnement	1	Exacta Portuguese	
	1	438 9200-61	User instructions	Instruction de fonctionnement	1	Exacta Japanese	
	1	438 9201-00	User instructions	Instruction de fonctionnement	1	Clarus Swedish	
	1	438 9201-01	User instructions	Instruction de fonctionnement	1	Clarus English	
	1	438 9201-02	User instructions	Instruction de fonctionnement	1	Clarus German	
	1	438 9201-03	User instructions	Instruction de fonctionnement	1	Clarus French	
	1	438 9201-04	User instructions	Instruction de fonctionnement	1	Clarus Spanish	
	1	438 9201-05	User instructions	Instruction de fonctionnement	1	Clarus Danish	
	1	438 9201-06	User instructions	Instruction de fonctionnement	1	Clarus Finnish	
1	438 9201-07	User instructions	Instruction de fonctionnement	1	Clarus Norwegian		
1	438 9201-08	User instructions	Instruction de fonctionnement	1	Clarus Dutch		
1	438 9201-09	User instructions	Instruction de fonctionnement	1	Clarus Italian		
1	438 9201-11	User instructions	Instruction de fonctionnement	1	Clarus Japanese		
3	1	438 9201-50	Service manual	Manuel d'entretien	1	Clarus Swedish	



EX630c,EX630s

Technical documentation

Documentation technique

Illustration	Issue	Month	Year
Schéma	Issue	Month	Year
101969/1	1	5	1

Item Article	Qua. Qua.	Art.No Réf. article	Description	Description	Info Info	Notes Remarques
4	1	438 9201-51	Service manual	Manuel d'entretien	1	Clarus English
	1	438 9201-52	Service manual	Manuel d'entretien	1	Clarus German
	1	438 9201-53	Service manual	Manuel d'entretien	1	Clarus French
	1	438 9201-54	Service manual	Manuel d'entretien	1	Clarus Spanish
	1	438 9201-59	Service manual	Manuel d'entretien	1	Clarus Italian
	1	438 9201-61	Service manual	Manuel d'entretien	1	Clarus Japanese
	1	438 9201-80	Service manual	Manuel d'entretien	1	Exacta Swedish
	1	438 9201-81	Service manual	Manuel d'entretien	1	Exacta English
	1	438 9201-82	Service manual	Manuel d'entretien	1	Exacta German
	1	438 9201-83	Service manual	Manuel d'entretien	1	Exacta French
	1	438 9201-84	Service manual	Manuel d'entretien	1	Exacta Spanish
	1	438 9201-89	Service manual	Manuel d'entretien	1	Exacta Italian
	1	438 9201-91	Service manual	Manuel d'entretien	1	Exacta Japanese
	1	438 9050-50	Programming	Programmation	1	Exacta Swedish
	1	438 9050-51	Programming	Programmation	1	Clarus English
	1	438 9050-52	Programming	Programmation	1	Clarus German
	1	438 9050-53	Programming	Programmation	1	Clarus French
	1	438 9050-54	Programming	Programmation	1	Clarus Spanish
	1	438 9050-55	Programming	Programmation	1	Clarus Danish
	1	438 9050-56	Programming	Programmation	1	Clarus Finnish
1	438 9050-57	Programming	Programmation	1	Clarus Norwegian	
1	438 9050-58	Programming	Programmation	1	Clarus Dutch	
1	438 9050-59	Programming	Programmation	1	Clarus Italian	

Numerical index/Numerical index

Art.No/Réf. article	Page/Page	Art.No/Réf. article	Page/Page	Art.No/Réf. article	Page/Page	Art.No/Réf. article	Page/Page
413 2918-03	43	432 2038-10	9	432 2620-07	13	432 2650-49	21
413 2918-04	43	432 2050-01	9	432 2620-08	13	432 2650-50	21
413 2918-07	43	432 2050-02	9	432 2630-01	27	432 2650-51	21
413 2965-11	7	432 2064-01	9	432 2630-02	27	432 2650-52	21
413 2965-12	7	432 2065-01	9	432 2630-03	27	432 2650-53	21
413 2965-13	7	432 2082-01	9	432 2630-04	27	432 2650-54	21
432 0149-01	39	432 2082-02	9	432 2630-06	27	432 2650-55	21
432 0150-01	39	432 2105-01	9	432 2630-09	27	432 2650-56	21
432 1229-01	17	432 2121-02	9	432 2630-10	27	432 2650-57	21
432 1306-01	7	432 2131-01	9	432 2649-03	19	432 2650-58	21
432 1307-01	7	432 2135-01	9	432 2649-04	19	432 2650-59	21
432 1311-01	7	432 2137-01	9	432 2649-05	19	432 2650-60	21
432 1312-02	7	432 2150-01	25	432 2649-06	19	432 2650-61	21
432 1418-01	7	432 2151-01	29	432 2649-07	19	432 2650-62	21
432 1419-01	7	432 2152-01	29	432 2649-20	19	432 2650-63	21
432 1453-01	7	432 2153-01	29	432 2649-21	19	432 2650-64	21
432 1455-01	17	432 2154-01	45	432 2649-22	19	432 2650-65	21
432 1458-01	7	432 2156-11	45	432 2649-23	19	432 2650-66	21
432 1470-01	7	432 2156-12	45	432 2649-24	19	432 2650-67	21
432 1502-01	11	432 2159-01	33	432 2649-25	19	432 2650-68	21
432 1502-03	11	432 2160-01	33	432 2649-26	19	432 2650-69	21
432 1542-01	11	432 2161-01	39	432 2649-27	19	432 2650-70	21
432 1547-01	11	432 2162-02	39	432 2649-28	19	432 2650-71	21
432 1552-01	11	432 2163-11	9	432 2650-02	19	432 2650-72	21
432 1562-01	11	432 2163-13	9	432 2650-03	19	432 2650-73	21
432 1567-01	11	432 2167-01	31	432 2650-04	19	432 2650-74	21
432 1572-01	11	432 2170-01	9	432 2650-05	19	432 2650-75	21
432 1572-02	11	432 2179-01	9	432 2650-06	19	432 2650-76	21
432 1572-03	11	432 2181-01	25	432 2650-07	19	432 2650-77	23
432 1607-01	11	432 2183-01	65	432 2650-08	19	432 2650-78	23
432 1607-02	11	432 2184-01	65	432 2650-09	19	432 2650-79	23
432 1607-04	11	432 2185-01	69	432 2650-10	19	432 2650-80	23
432 1607-05	11	432 2201-25	9	432 2650-11	19	432 2650-81	23
432 1631-01	59	432 2204-01	71	432 2650-12	19	432 2650-82	23
432 1649-01	7	432 2301-01	47	432 2650-13	19	432 2650-83	23
432 1650-01	7	432 2306-01	47	432 2650-14	19	432 2650-84	23
432 1653-01	7	432 2310-01	63	432 2650-16	19	432 2650-85	23
432 1654-01	7	432 2401-01	61	432 2650-17	19	432 2650-86	23
432 1673-01	59	432 2404-01	61	432 2650-18	19	432 2650-87	23
432 1827-01	13	432 2405-01	61	432 2650-19	19	432 2650-88	23
432 1842-02	13	432 2406-01	61	432 2650-20	19	432 2650-89	23
432 1857-01	13	432 2407-01	61	432 2650-22	19	432 2650-90	23
432 1857-02	13	432 2409-01	61	432 2650-25	19	432 2650-91	23
432 1872-01	13	432 2501-01	53	432 2650-26	19	432 2650-92	23
432 1887-01	13	432 2502-01	53	432 2650-27	19	432 2650-93	23
432 1887-11*	13	432 2505-01	53	432 2650-28	19	432 2650-94	23
432 1950-02	13	432 2506-01	55	432 2650-29	21	432 2650-95	23
432 1951-01	13	432 2507-01	55	432 2650-30	21	432 2650-96	23
432 1955-01	13	432 2508-02	55	432 2650-31	21	432 2650-97	23
432 1956-01	13	432 2511-01	55	432 2650-32	21	432 2650-98	23
432 1960-01	15	432 2516-02	55	432 2650-33	21	432 2651-51	21
432 1962-01	13	432 2516-04	57	432 2650-34	21	432 2652-04	23
432 2002-01	9	432 2518-01	57	432 2650-35	21	432 2652-07	23
432 2017-01	19	432 2521-03	55	432 2650-36	21	432 2652-08	23
432 2025-01	27	432 2531-01	57	432 2650-37	21	432 2652-09	23
432 2032-01	9	432 2534-01	57	432 2650-38	21	432 2652-10	23
432 2032-02	9	432 2537-01	57	432 2650-39	21	432 2652-11	23
432 2032-10	9	432 2548-01	57	432 2650-40	21	432 2652-12	23
432 2033-01	9	432 2603-01	25	432 2650-41	21	432 2652-13	23
432 2033-02	9	432 2603-01	27	432 2650-42	21	432 2652-14	23
432 2033-03	9	432 2603-11	27	432 2650-43	21	432 2652-15	23
432 2033-04	9	432 2603-22	27	432 2650-44	21	432 2652-16	23
432 2033-10	9	432 2603-40	25	432 2650-45	21	432 2652-17	23
432 2033-11	9	432 2603-51	25	432 2650-46	21	432 2652-18	23
432 2038-01	9	432 2620-01	13	432 2650-47	21	432 2652-19	23
432 2038-02	9	432 2620-02	13	432 2650-48	21	432 2652-20	23

Numerical index/Numerical index

Art.No/Réf. article	Page/Page	Art.No/Réf. article	Page/Page	Art.No/Réf. article	Page/Page	Art.No/Réf. article	Page/Page
432 2652-21	23	432 3075-01	45	432 3088-30	29	432 3907-01	31
432 2652-22	23	432 3082-04	31	432 3088-32	39	432 3908-01	31
432 2652-23	23	432 3082-15	39	432 3088-71	51	432 3909-01	31
432 2652-24	23	432 3082-16	39	432 3092-04	31	432 3910-01	31
432 2652-25	23	432 3082-17	39	432 3092-15	39	432 4212-01	13
432 2652-26	23	432 3082-18	29	432 3092-16	39	437 7133-03	33
432 2652-27	23	432 3082-18	39	432 3092-17	39	438 0051-01	53
432 2652-28	25	432 3082-21	39	432 3092-25	45	438 0052-01	53
432 2652-29	25	432 3082-25	45	432 3092-26	31	438 0053-01	53
432 2652-30	25	432 3082-26	31	432 3092-35	31	438 0054-01	53
432 2652-31	25	432 3082-27	29	432 3092-36	31	438 0055-01	53
432 2652-32	25	432 3082-35	31	432 3092-41	39	438 0056-03	47
432 2652-33	25	432 3082-36	31	432 3092-42	31	438 0056-04	47
432 2652-34	25	432 3082-41	39	432 3092-43	39	438 0299-01	37
432 2652-35	25	432 3082-42	31	432 3092-50	39	438 0299-01	39
432 2652-36	25	432 3082-43	39	432 3092-56	39	438 4062-01	13
432 2652-37	25	432 3082-48	29	432 3092-58	31	438 4125-01	63
432 2652-38	25	432 3082-48	39	432 3092-59	39	438 5335-01	9
432 2652-39	25	432 3082-49	29	432 3092-70	17	438 7126-28	37
432 2652-40	25	432 3082-49	39	432 3092-70	41	438 7133-01	33
432 2652-41	25	432 3082-50	39	432 3092-71	71	438 7133-02	33
432 2720-01	19	432 3082-56	39	432 3092-75	31	438 7133-05	33
432 2720-02	19	432 3082-57	29	432 3092-86	45	438 7133-07	33
432 2720-03	19	432 3082-58	31	432 3092-99	31	438 7133-08	33
432 2720-04	19	432 3082-59	39	432 3093-30	39	438 7133-09	35
432 2720-05	19	432 3082-70	17	432 3093-32	39	438 7133-10	35
432 2720-06	19	432 3082-71	71	432 3094-01	71	438 7133-11	35
432 2720-08	19	432 3082-75	31	432 3094-16	39	438 7133-13	37
432 2720-09	19	432 3082-77	7	432 3094-25	41	438 7133-14	37
432 2720-10	19	432 3082-77	29	432 3095-04	39	438 7133-15	33
432 2720-11	19	432 3082-77	39	432 3095-15	39	438 7133-16	35
432 2720-12	19	432 3082-82	29	432 3095-25	39	438 7133-17	35
432 2720-13	19	432 3082-84	29	432 3095-27	41	438 7133-18	35
432 2720-18	19	432 3082-86	45	432 3096-10	31	438 7133-19	35
432 2750-01	27	432 3082-90	39	432 3096-15	71	438 7133-21	33
432 2844-01	9	432 3082-99	29	432 3096-80	49	438 7133-22	35
432 2903-02	57	432 3082-99	31	432 3096-80	51	438 7133-23	35
432 2905-02	15	432 3083-30	39	432 3096-81	49	438 7133-24	35
432 2933-02	73	432 3083-32	39	432 3096-89	31	438 7133-26	37
432 2933-03	73	432 3083-36	17	432 3096-92	39	438 7133-27	33
432 2945-01	45	432 3084-01	71	432 3097-05	31	438 7133-28	37
432 2951-03	7	432 3084-16	39	432 3097-16	31	438 7133-30	37
432 2952-02	7	432 3084-25	41	432 3097-20	39	438 7133-31	33
432 2953-02	7	432 3084-40	29	432 3097-92	39	438 7133-32	35
432 2954-01	45	432 3084-40	39	432 3098-14	31	438 7133-34	35
432 2954-03	45	432 3085-04	39	432 3098-32	39	438 7133-35	37
432 2954-11	45	432 3085-15	39	432 3098-71	51	438 7133-36	33
432 2954-13	45	432 3085-25	39	432 3106-01	45	438 7133-37	33
432 2958-01	59	432 3085-27	39	432 3182-02	39	438 7133-38	37
432 2960-01	43	432 3086-10	31	432 3182-21	29	438 7133-39	35
432 2960-03	45	432 3086-15	29	432 3182-41	55	438 7133-41	37
432 2960-04	43	432 3086-15	71	432 3182-52	45	438 7133-42	35
432 2975-01	45	432 3086-80	49	432 3182-61	27	438 7133-43	35
432 2977-01	7	432 3086-80	51	432 3182-72	27	438 7164-01	33
432 2981-01	39	432 3086-81	49	432 3182-78	27	438 7164-02	33
432 2982-02	17	432 3086-89	31	432 3182-93	29	438 7164-03	33
432 2982-10	57	432 3086-91	29	432 3182-93	39	438 7164-04	33
432 2983-02	17	432 3086-92	39	432 3182-94	31	438 7164-05	33
432 2984-01	45	432 3087-04	29	432 3184-03	31	438 7164-06	33
432 2985-01	7	432 3087-05	31	432 3192-02	39	438 7164-07	33
432 2986-01	45	432 3087-16	31	432 3192-52	45	438 7164-08	33
432 2987-01	65	432 3087-20	39	432 3192-61	27	438 7164-09	33
432 2987-02	65	432 3087-30	29	432 3192-78	27	438 7164-10	33
432 2990-02	17	432 3087-75	39	432 3192-94	31	438 7164-11	33
432 3003-02	57	432 3087-92	39	432 3194-03	31	438 7164-12	35
432 3045-01	45	432 3088-14	31	432 3905-01	17	438 7164-13	35

Numerical index/Numerical index

Art.No/Réf. article	Page/Page	Art.No/Réf. article	Page/Page	Art.No/Réf. article	Page/Page	Art.No/Réf. article	Page/Page
438 7164-14	35	438 8916-17	69	438 9200-00	75	438 9799-02	17
438 7164-15	35	438 8916-18	69	438 9200-01	75	438 9799-03	17
438 7164-16	35	438 8916-19	69	438 9200-02	75	438 9799-12	43
438 7164-17	35	438 8916-20	69	438 9200-03	75	471 2265-69	55
438 7164-18	35	438 8916-21	69	438 9200-04	75	471 2436-08	55
438 7164-19	35	438 8916-22	69	438 9200-05	75	471 2442-42	55
438 7164-20	35	438 8916-23	69	438 9200-06	75	471 2449-95	55
438 7164-21	35	438 8916-24	69	438 9200-07	75	471 2464-18	55
438 7164-22	35	438 8916-25	69	438 9200-08	75	471 2937-01	59
438 7164-23	35	438 8916-26	69	438 9200-09	75	471 4601-01	73
438 7164-24	37	438 8916-27	69	438 9200-10	75	471 4672-08	63
438 7164-25	37	438 8916-29	69	438 9200-11	75	471 4792-01	47
438 7164-26	37	438 8916-30	69	438 9200-50	75	471 4835-01	55
438 7164-27	37	438 8916-31	69	438 9200-51	75	471 6860-15	51
438 7164-28	37	438 8916-34	69	438 9200-52	75	471 6860-16	51
438 7164-29	37	438 8916-35	69	438 9200-53	75	471 6860-17	51
438 7164-30	37	438 8916-36	69	438 9200-54	75	471 6860-18	49
438 7164-31	37	438 8916-37	69	438 9200-55	75	471 6860-18	51
438 7164-32	37	438 8916-38	69	438 9200-56	75	471 6860-19	49
438 7164-33	37	438 8916-39	69	438 9200-57	75	471 6860-19	51
438 7164-34	37	438 8916-40	69	438 9200-58	75	471 6860-20	49
438 7164-35	37	438 8916-41	69	438 9200-59	75	471 6860-20	51
438 7164-36	37	438 8916-42	69	438 9200-60	75	471 7565-21	9
438 7164-37	35	438 8916-44	69	438 9200-61	75	471 7705-01	17
438 7164-38	37	438 8916-45	69	438 9201-00	75	471 7711-12	17
438 7164-39	33	438 8916-47	69	438 9201-01	75	471 7807-02	7
438 7164-40	37	438 8916-48	69	438 9201-02	75	471 7818-01	53
438 7164-41	37	438 8916-49	69	438 9201-03	75	471 7826-10	9
438 7300-87	73	438 8916-50	69	438 9201-04	75	471 7859-12	45
438 7300-88	73	438 8916-51	69	438 9201-05	75	471 7859-16	45
438 7733-04	33	438 8916-52	69	438 9201-06	75	471 7871-04	53
438 7733-06	33	438 8916-53	69	438 9201-07	75	471 7871-07	47
438 7733-12	33	438 8916-55	69	438 9201-08	75	471 7871-07	55
438 7733-25	35	438 8916-56	69	438 9201-09	75	471 7871-07	57
438 7950-01	45	438 8916-57	69	438 9201-11	75	471 7873-02	55
438 7950-02	45	438 8916-58	69	438 9201-50	75	471 7887-01	55
438 8102-06	55	438 8916-59	69	438 9201-51	77	471 7958-02	29
438 8103-01	61	438 8916-60	69	438 9201-52	77	471 7958-02	31
438 8155-03	11	438 8916-63	69	438 9201-53	77	471 7958-02	37
438 8156-01	7	438 8916-64	69	438 9201-54	77	471 7958-02	45
438 8158-02	17	438 8916-65	69	438 9201-59	77	471 7958-02	71
438 8762-01	73	438 8916-66	69	438 9201-61	77	471 7958-02	73
438 8762-11	73	438 8916-67	69	438 9201-80	77	471 7980-01	9
438 8785-02	45	438 8916-68	71	438 9201-81	77	471 8118-02	55
438 8786-02	45	438 8916-69	71	438 9201-82	77	471 8124-02	55
438 8787-01	45	438 8916-70	71	438 9201-83	77	471 8126-27	59
438 8790-01	71	438 8916-71	71	438 9201-84	77	471 8128-60	55
438 8791-01	73	438 8916-72	71	438 9201-89	77	471 8139-01	55
438 8793-01	73	438 8916-73	71	438 9201-91	77	471 8139-07	67
438 8796-01	73	438 8916-74	71	438 9555-11	29	471 8139-08	67
438 8797-01	45	438 8916-75	71	438 9555-11	31	471 8139-11	55
438 8910-91	71	438 8916-76	71	438 9555-11	37	471 8143-01	63
438 8916-01	69	438 8916-77	71	438 9555-12	29	471 8164-00	67
438 8916-02	69	438 8916-78	71	438 9555-12	31	471 8175-01	47
438 8916-03	69	438 8919-01	71	438 9555-12	37	471 8180-10	7
438 8916-04	69	438 8919-02	71	438 9561-01	15	471 8192-01	7
438 8916-05	69	438 9050-50	77	438 9562-01	7	471 8195-01	53
438 8916-06	69	438 9050-51	77	438 9564-01	29	471 8199-01	47
438 8916-08	69	438 9050-52	77	438 9564-01	31	471 8215-01	57
438 8916-09	69	438 9050-53	77	438 9564-01	37	471 8215-03	57
438 8916-10	69	438 9050-54	77	438 9678-02	45	471 8236-76	49
438 8916-11	69	438 9050-55	77	438 9678-11	45	471 8236-76	51
438 8916-12	69	438 9050-56	77	438 9678-14	45	471 8236-78	49
438 8916-13	69	438 9050-57	77	438 9703-01	17	471 8236-78	51
438 8916-14	69	438 9050-58	77	438 9703-21	17	471 8240-64	51
438 8916-16	69	438 9050-59	77	438 9799-01	43	471 8240-68	51

Numerical index/Numerical index

Art.No/Réf. article	Page/Page	Art.No/Réf. article	Page/Page	Art.No/Réf. article	Page/Page	Art.No/Réf. article	Page/Page
471 8240-90	51	471 8988-10	29	736 2825-51	55		
471 8240-91	51	471 8988-11	31	736 2831-51	55		
471 8243-04	55	471 8993-01	33	736 2837-51	55		
471 8243-05	55	471 8995-11	39	736 2840-51	55		
471 8243-06	55	471 8995-12	39	736 2846-51	47		
471 8243-07	55	471 8997-03	33	736 2846-51	57		
471 8243-08	55	471 9222-59	11	740 4206-00	47		
471 8243-09	55	471 9529-10	29	740 4209-00	63		
471 8243-10	55	471 9550-54	7	741 5109-25	47		
471 8276-02	67	471 9550-59	7	744 3113-06	59		
471 8276-12	67	471 9558-12	29	762 1116-10	63		
471 8276-13	67	471 9558-12	31	762 1182-10	45		
471 8276-14	67	471 9573-02	45	762 1215-10	45		
471 8279-03	59	471 9608-01	65	762 9102-05	47		
471 8279-08	59	471 9628-32	27	877 5211-08	47		
471 8322-03	17	471 9628-33	27				
471 8323-01	11	471 9635-10	45				
471 8328-02	11	471 9635-11	45				
471 8328-05	7	471 9678-94	45				
471 8328-08	7	471 9679-01	15				
471 8342-11	63	471 9680-01	73				
471 8342-13	17	471 9822-01	7				
471 8342-15	9	471 9822-02	7				
471 8342-47	15	471 9822-03	7				
471 8344-36	13	471 9822-04	7				
471 8356-05	17	471 9822-99	7				
471 8404-02	13	471 9823-21	7				
471 8413-01	7	471 9827-01	7				
471 8458-02	13	471 9827-02	7				
471 8502-00	17	471 9827-03	7				
471 8502-14	11	471 9827-04	7				
471 8502-34	7	471 9883-02	63				
471 8527-01	13	471 9884-01	63				
471 8555-03	7	472 6761-01	47				
471 8624-01	59	472 9900-99	9				
471 8636-20	63	472 9913-01	13				
471 8641-02	9	472 9913-05	7				
471 8644-02	47	472 9913-09	7				
471 8688-13	47	472 9913-11	7				
471 8688-13	53	472 9913-17	11				
471 8688-14	63	472 9913-21	69				
471 8690-28	63	472 9913-22	7				
471 8690-33	63	472 9913-43	29				
471 8690-52	67	472 9913-43	31				
471 8690-72	67	472 9913-43	37				
471 8690-73	67	472 9913-44	17				
471 8693-21	47	472 9913-72	15				
471 8695-01	59	472 9919-30*	71				
471 8697-01	59	472 9929-19	43				
471 8750-11	37	472 9930-11*	43				
471 8750-11	45	725 2366-61	13				
471 8759-01	45	725 2461-51	7				
471 8759-51	45	725 2464-51	7				
471 8767-01	45	725 2465-71	7				
471 8780-01	73	728 8362-11	13				
471 8780-02	73	731 2312-01	71				
471 8780-31	73	732 2112-01	25				
471 8780-32	73	732 2116-42	53				
471 8792-01	37	732 2118-01	7				
471 8793-01	39	732 2118-01	11				
471 8826-01	17	732 2118-01	17				
471 8827-01	17	732 2122-01	17				
471 8861-01	29	734 1153-09	53				
471 8861-01	31	735 3139-00	11				
471 8861-01	37	735 9501-01	11				
471 8910-90	71	736 2816-51	47				

WASCOMAT

461 Doughty Blvd., Inwood, L.I., N.Y. 11096-0338

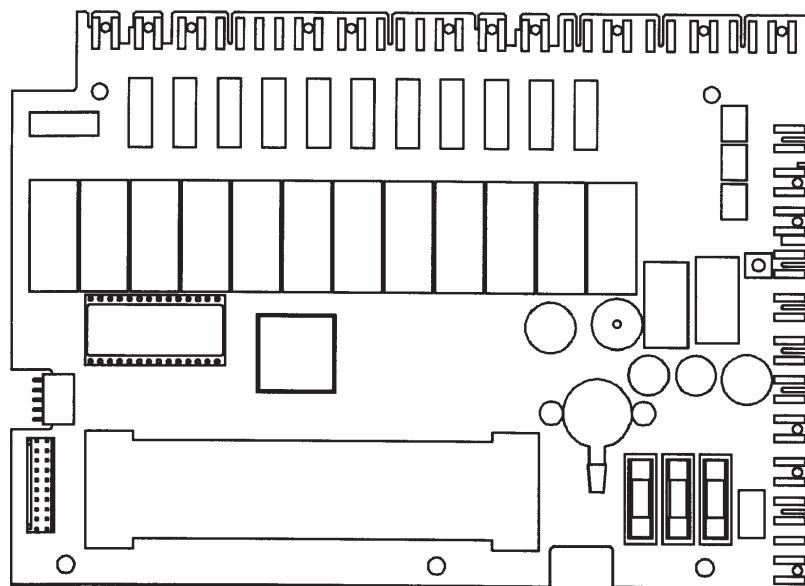
Telephone: 516-371-4400

Parts and Service FAX: 516-371-4029

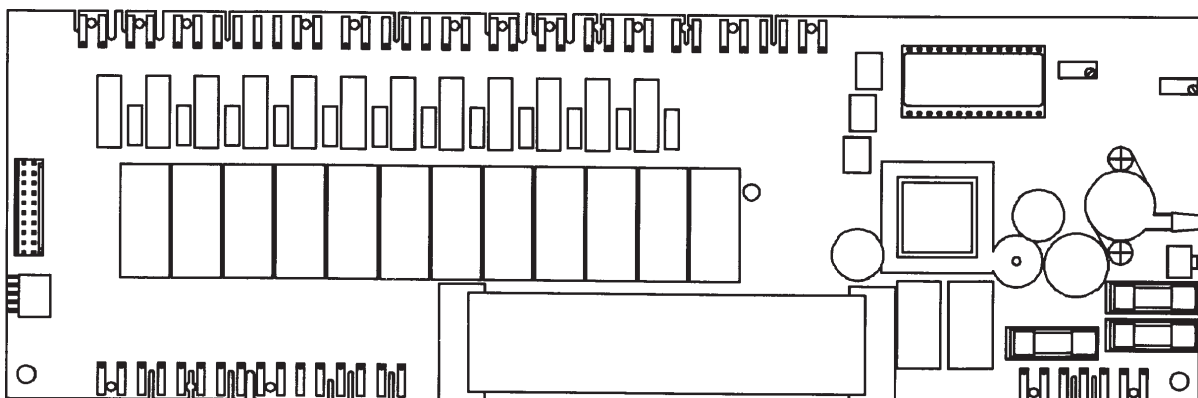
Sales and Administration FAX: 516-371-4204

New electronic timer for EX615 - EX670 Emerald and Selecta Control

A new electronic timer has been introduced on EX615, EX618, EX625, EX630, EX640 and EX655 Emerald and Selecta. The new timer has Art. No. 471 8988-11 and can't replace 471 8988-10.



471 8988-11 new timer



471 8988-10 old timer

The new timer has been introduced from the following manufacturing No.'s:

EX615 and EX618 520/0006780 –
plus the following manufacturing No.'s

5586-5594	6203	5900-5901	6578
5648-5654	6396-6397	5905-5909	6605-6606
5656-5659	6400-6401	5911	6609-6610
5685	6406-6408	5913-5915	6612-6616
5690	6437-6438	5917-5931	6618-6630
5693-5695	6440	5934	6637-6652
5698-5702	6459	5936-5937	6654-6696
5704-5708	6471	5939-5950	6698-6720
5714-5716	6475-6478	5952	6722-6726
5718	6480-6490	5954-5955	6728-6747
5720-5780	6492-6502	5957-5958	6749
5782-5784	6505	5960-5961	6750-6751
5786-5787	6507-6534	5964	6763
5790-5816	6536-6563	5966-5974	6768
5818-5841	6565-6570	6001-6002	
5843-5890	6572		
5892-5897	6574		

Bruno Torstensson

2001-06-01

Page 3 (3)

EX625 595/0001135 –
plus the following manufacturing No.'s

1026
1031
1038-1040
1042
1044-1052
1054-1057
1059-1061
1130
1132-1133

EX630 650/0001225 –
plus the following manufacturing No.'s

1036-1042
1131-1145
1148-1150
1168-1169
1174-1175
1182-1184
1206
1222-1223

EX640 725/000392 –
plus the following manufacturing No.'s

359
371
379
381
385-387
390

EX655 795/000492 –
plus the following manufacturing No.'s

430
442
443
473
486
487