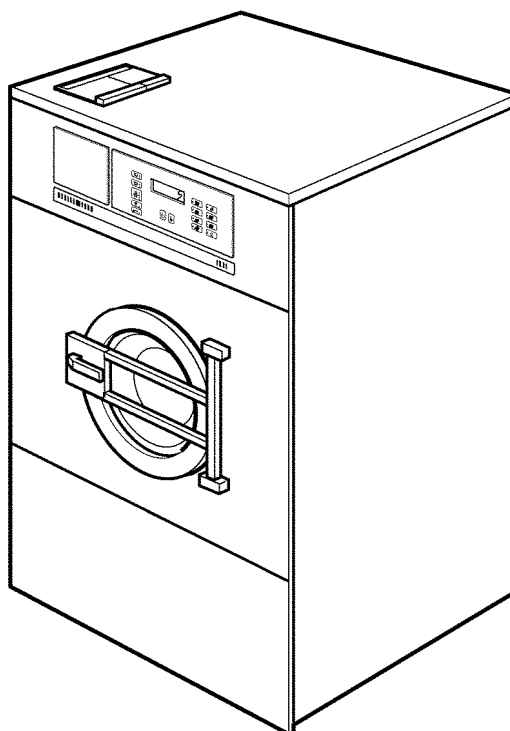


WASCOMAT

Spare Parts Catalogue

Catalogue de pièces de rechange



EXSM 350

List of issues

Group
Groupe
US26

EXSM 350 Aqua Clean,EXSM 350 FC,EXSM 350 HI-TEK,EXSM 350 SELECTA 28

Illustration	Page	Table of contents
100044	61	Inlet valve 3/4", single
100046	63	Inlet valve 3/4", 3-way
100568	65	Inlet valve 1/2", 3/4", 1", 1 1/4", 2"
100771	59	Drain valve
100826	67	Memory cartridge complete
100906	69	Door lock
101121	7	Frame and drum
101122	9	Panels
101123	11	Door locking system
101124	13	Door
101125	17	Back plate with inner drum
101126	21	Rear panels
101127	23	Motor bracket and motors
101128	25	Control panel
101129	29	Control panel
101130	33	Drain valve and hoses
101131	35	Water connections
101132	37	Water connections
101133	39	Water connections
101134	27	Control panel
101169	43	Steam components
101170	47	Control unit
101171	49	Control unit
101172	51	Control unit
101173	55	Components
101367	71	Detergent container
101400	45	Steam components
101401	53	Control unit
101402	57	Components
101403	41	Water connections
101404	31	Control panel
101453	15	Spray system

EXSM 350 Aqua Clean,EXSM 350 FC,EXSM 350 HI-TEK,EXSM 350 SELECTA 28

Table of contents	Table des matières	Page/Page
Frame and drum	Cadre et tambour	7
Panels	Plaques	9
Door locking system	Serrure de porte	11
Door	Plaque	13
Spray system	Assemblage articulé et plaque	15
Back plate with inner drum	Pignon arrière avec tambour intérieur	17
Rear panels	Plaques arrière	21
Motor bracket and motors	Support moteur et moteurs	23
Control panel	Pupitre de commande	25
Control panel	Pupitre de commande	27
Control panel	Pupitre de commande	29
Control panel	Pupitre de commande	31
Drain valve and hoses	Soupape de purge et flexibles	33
Water connections	Raccords d'eau	35
Water connections	Raccords d'eau	37
Water connections	Raccords d'eau	39
Water connections	Raccords d'eau	41
Steam components	Composants	43
Steam components	Composants	45
Control unit	Unité de commande	47
Control unit	Unité de commande	49
Control unit	Unité de commande	51
Control unit	Unité de commande	53
Components	Composants	55
Components	Composants	57
Drain valve	Purgeur	59
Inlet valve 3/4", single	Soupape de admission 3/4", simple	61
Inlet valve 3/4", 3-way	Soupape de admission 3/4", 3 voies	63
Inlet valve 1/2", 3/4", 1", 1 1/4", 2"	Soupape de admission 1/2", 3/4", 1", 1 1/4", 2"	65
Memory cartridge complete	Cassette de mémoire complet	67
Door lock	Serrure de porte	69
Detergent container	Compartiment à savon	71

EXSM 350 Aqua Clean,EXSM 350 FC,EXSM 350 HI-TEK,EXSM 350 SELECTA 28

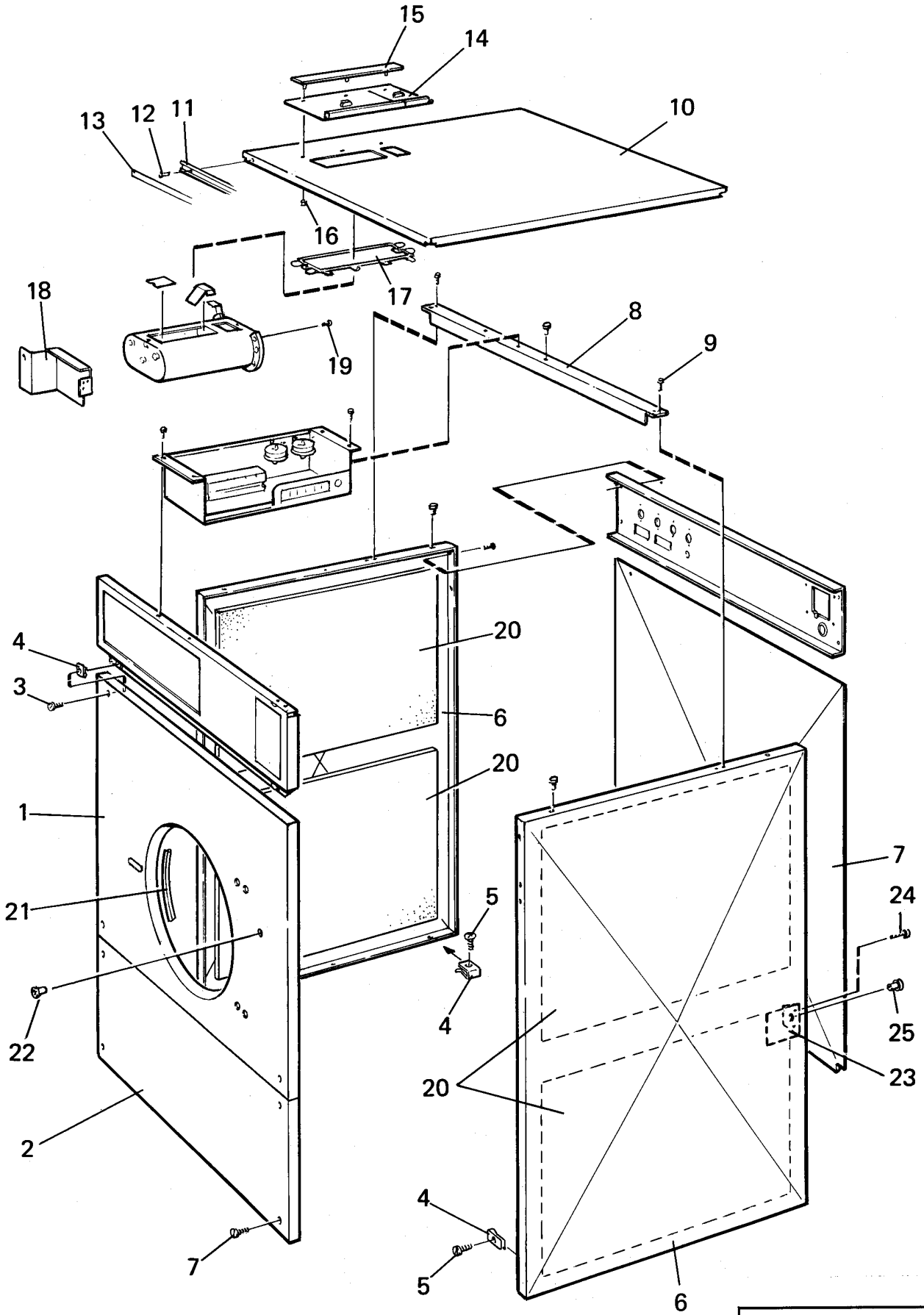
Frame and drum

Illustration Issue Month Year
Schéma Issue Month Year

Cadre et tambour

101121 4 4 1996

Item Article	Qua. Qua.	Art.No Réf. article	Description	Description	Info Info	Notes Remarques
1	1	438 0621-01	Frame	Châssis	3	
2	2	438 0628-01	Stretching device	Dispositif tendeur	3	SHORT
3	2	438 0630-01	Stretching device	Dispositif tendeur	3	LONG
4	2	725 2632-51	Screw	Vis	3	M16X60
5	2	734 1186-01	Washer	Rondelle	3	BRB 17X30
6	2	732 2124-01	Locking nut	Contre-écrou	3	M16
7	16	725 2536-51	Screw	Vis	3	M12X30
8	32	734 1178-01	Washer	Rondelle	3	BRB 13X24
9	16	732 2122-01	Locking nut	Contre-écrou	3	M12
10	1	438 0093-01	Drain valve	Purgeur	1,2	Complete See group US8107
11	1	438 0016-07	Pipe	Tube	3	
12	2	471 7867-01	Pin	Goupille/broche	3	
13	1	438 0689-01	Hose	Flexible	1	
14	3	736 2846-51	Hose clamp	Attache flexible	3	Ø73-83
15	1	438 0083-01	Joint sleeve	Couvre-joint	3	
16	1	438 0084-01	Connection	Flexible caoutchouc	3	
17	15	471 7864-01	Clip	Colliers de serrage	3	M6
18	1	438 0662-01	End piece	Pignon	3	
19	1	438 4157-01	Plate	Plaque	3	
20	15	471 8341-46	Screw	Vis	3	M6X16
21	1	438 0658-01	Outer drum	Extérieur du tambour	1	Non-heated
22	4	725 2366-61	Screw	Vis	3	M6SF 6X12
23	1	438 4247-02	Out of balance switch	Commutateur asymétrique	1,2	COMPL., FL, SELECTA 28
	1	438 4247-03	Out of balance switch	Commutateur asymétrique	1,2	COMPL., FC, AQUA CLEAN
24	1	471 9603-07	•	•	1,2	
25	1	471 4564-02	•Insulating plate	•Plaque isolante	3	FL, SELECTA 28
	1	471 4564-03	•Insulating plate	•Plaque isolante	3	FC, AQUA CLEAN
26	2	471 8341-05	•Screw	•Vis	3	MRT 3X16
27	2	732 2110-01	•Locking nut	•Contre-écrou	3	M3
28	1	471 4878-09	•Cable set	•Jeu de câbles	3	
29	1	438 0083-01	Joint sleeve	Couvre-joint	3	
30		438 0691-01	Hose	Flexible		
31	4	471 8180-11	Strip	Ruban	3	



101122

Issue	Month	Year
03	03	96

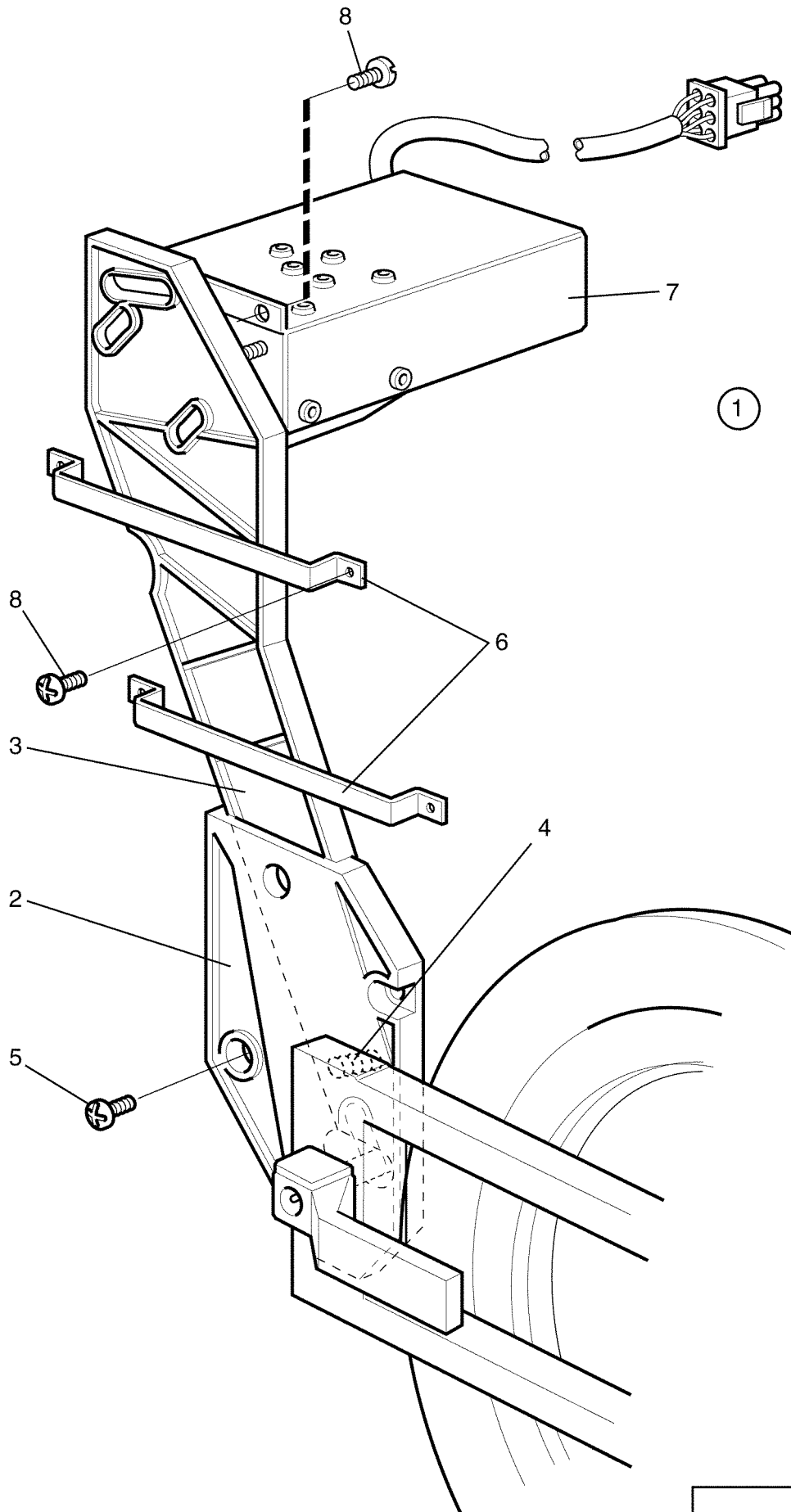
EXSM 350 Aqua Clean,EXSM 350 FC,EXSM 350 HI-TEK,EXSM 350 SELECTA 28

Panels

Illustration Issue Month Year
Schéma Issue Month Year
101122 6 4 1996

Plaques

Item Article	Qua. Qua.	Art.No Réf. article	Description	Description	Info Info	Notes Remarques
1	1	438 0644-01	Front panel	Panneau avant	3	Upper
	1	438 0644-02	Front panel	Panneau avant	3	UPPER, AQUA CLEAN
2	1	438 0645-01	Front panel	Panneau avant	3	Lower
3	2	471 8344-35	Screw	Vis	3	M6X16
4	RQ	471 7864-01	Clip	Colliers de serrage	3	M6
5	RQ	471 8344-35	Screw	Vis	3	M6X16
6	2	438 0639-01	Side panel	Panneau latéral	3	
7	1	438 0641-01	Rear plate	Panneau arrière	3	Non-heated
	1	438 0649-01	Rear plate	Panneau arrière	3	Steam heated
	1	438 0649-02			3	STEAM HEATED, AQUA CLEAN
8	1	438 0642-01	Brace	Montant	3	
9	4	725 2289-61	Screw	Vis	3	M4X10
10	1	438 0640-01	Top panel	Couvercle	3	
11	1	471 7909-10	Rail	Support	3	
12	3	471 8452-01	Pop rivet	Rivet	3	
13	1	438 2820-04	Sign	Signe	3	FLEX-O-MATIC
	1	438 2820-03	Sign	Signe	3	SELECTA 28
	1	438 2820-02	Sign	Signe	3	FC
	1	438 2820-01	Sign	Signe	3	HI-TEK
	1	438 2820-05	Sign	Signe	3	Aqua clean
14	1		Cover	Couvercle	3	See group US8802
15	1		•Rail	•Support	3	See group US8802
16	3		•Nut	•Écrou	3	M4
17	1	438 0078-01	Gasket	Joint	1,2	-95/151
	1	438 0460-01	Gasket	Joint	1,2	95/152-
18	1	438 4178-01	Bracket	Support de montage	3	
19	4	725 2289-61	Screw	Vis	3	M4X10
20	4	471 2098-71	Insulating disc	Couche isolante	3	400X700
21	1	471 8162-02	Gasket	Joint	1	L=2100
22	1	471 7967-01	Bushing	Douille	3	Aqua clean
23	1	438 0483-01	Mounting plate	Plaque de montage	3	AQUA CLEAN, FOR PUMP
24	2	471 8340-23	Screw	Vis	3	RTS 4,2X13 Aqua clean
25	1	471 7967-01	Bushing	Douille	3	



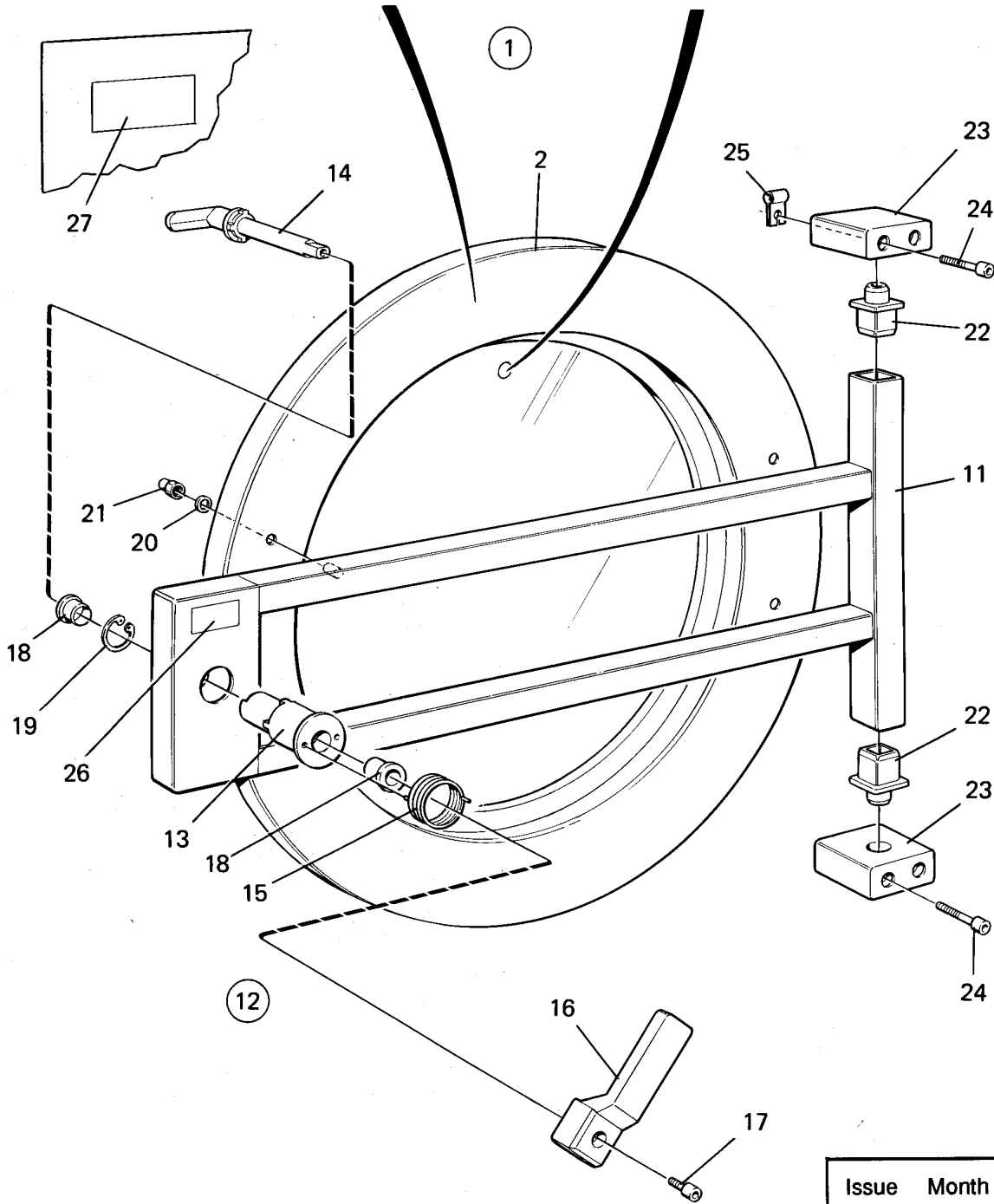
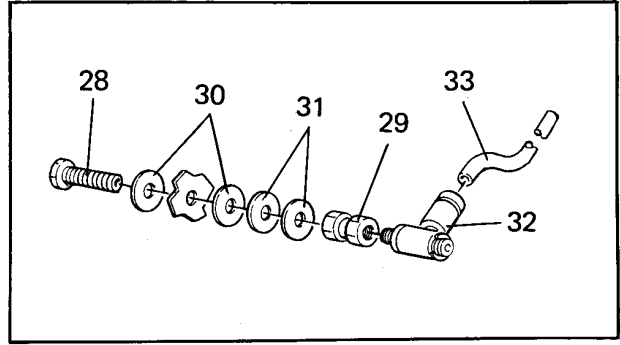
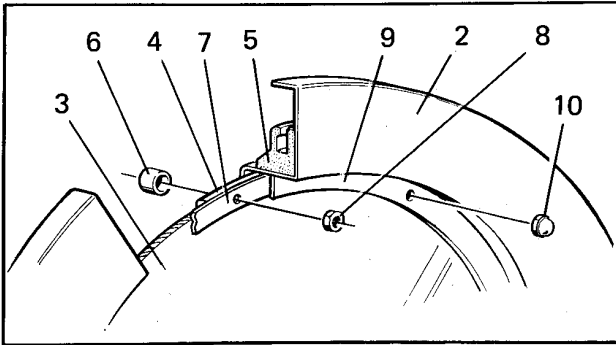
EXSM 350 Aqua Clean,EXSM 350 FC,EXSM 350 HI-TEK,EXSM 350 SELECTA 28

Door locking system

Illustration	Issue	Month	Year
Schéma	Issue	Month	Year
101123	3	3	1996

Serrure de porte

Item Article	Qua. Qua.	Art.No Réf. article	Description	Description	Info Info	Notes Remarques
1	1	438 4150-01	Locking unit	Unité verrouillage	1	Complete
2	1	438 4148-02	•Plate	•Tableau	1	
3	1	438 4147-02	•Arm	•Bras	1	
4	1	471 7803-21	•Spring	•Ressort	3	
5	4	725 2370-61	•Screw	•Vis	3	M6SF 6X20
6	2	472 9187-01	•Clamp	•Bride de fixation	3	
7	1	438 4152-01	•Locking unit	•Unité verrouillage	1,2	See group US8711
8	8	471 8342-11	•Screw	•Vis	3	MRT-TT 4X6



101124

Issue	Month	Year
03	03	96

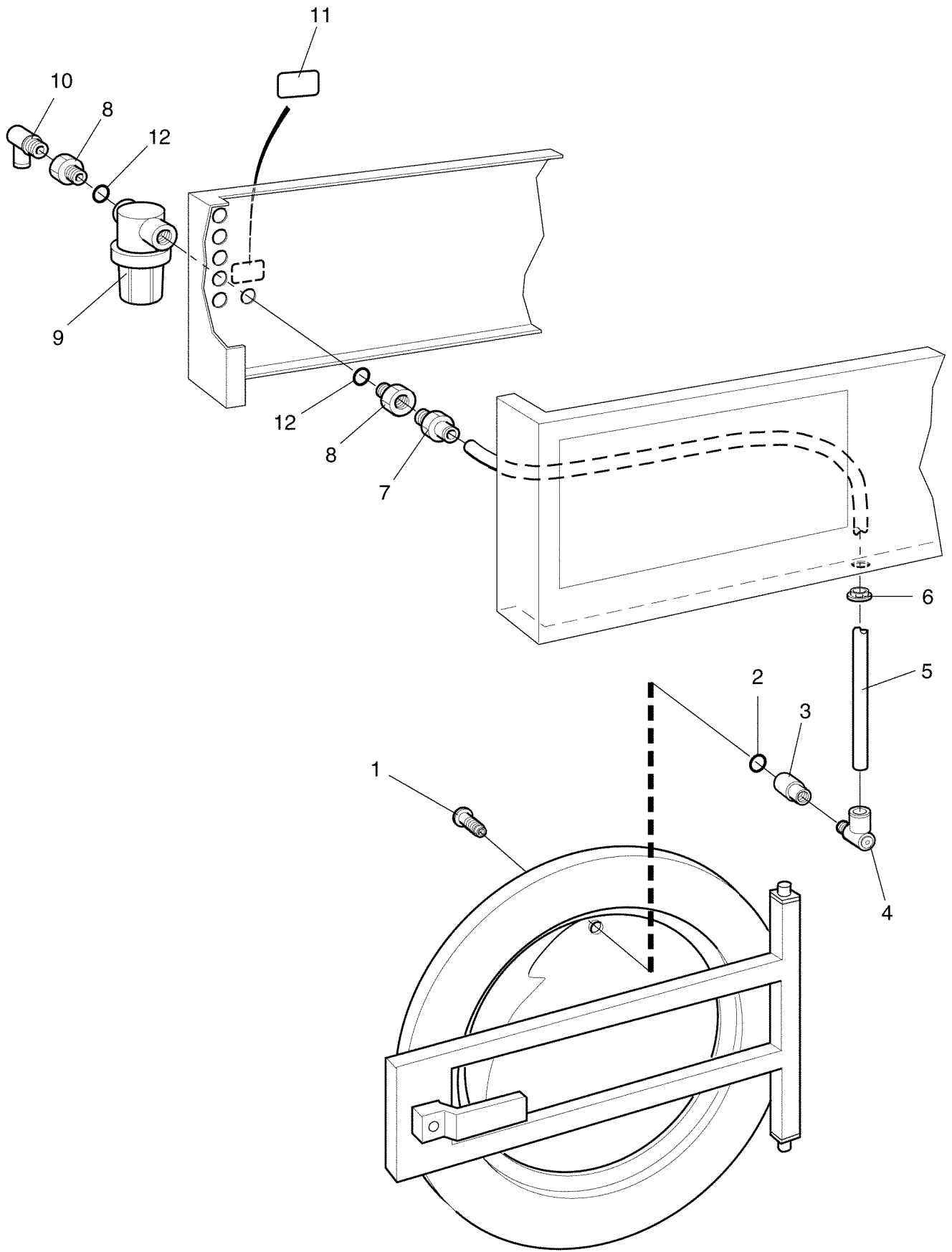
EXSM 350 Aqua Clean,EXSM 350 FC,EXSM 350 HI-TEK,EXSM 350 SELECTA 28

Door

Illustration Issue Month Year
Schéma Issue Month Year
101124 9 2 2003

Plaque

Item Article	Qua. Qua.	Art.No Réf. article	Description	Description	Info Info	Notes Remarques
1	1	438 0665-01	Door	Plaque	1	Complete
	1	438 0665-04	Door	Plaque	1	Aqua clean Complete
2	1	471 5516-02	•Door ring	•Anneau de la porte	3	
3	1	432 0113-01	•Door glass	•Vitre de la porte	1,2	
	1	432 0113-02	•Door glass	•Vitre de la porte	1,2	Aqua clean Aqua clean
4	1	471 5511-01	•Seal	•Joint	1,2	
5	1	471 5631-00	•Door gasket	•Joint de la porte	1,2	
6	16	471 5523-00	•Spacer	•Entretoise	3	
7	1	438 4832-01	•Washer	•Rondelle	3	
8	16	731 2316-42	•Nut	•Écrou	3	M6
9	1	471 5525-01	•Ring	•Anneau	3	
10	16	732 3116-14	•Nut	•Écrou	3	M6
11	1	438 0666-02	•Bracket	•Pupitre	3	
12	1	472 9903-43	••Door handle	••Poignée de la porte	3	Kit -95/176
13	1	438 4126-02	•••Hub	•••Moyeu	1,2	
14	1	438 0422-01	•••Shaft	•••Arbre	3	
15	1	471 7814-02	•••Spring	•••Ressort	3	
16	1	438 4127-02	•••Handle	•••Poignée	3	
17	1	471 8341-85	•••Screw	•••Vis	3	M6X16
18	2	438 0033-01	•••Bushing	•••Douille	3	
19	1	735 3126-01	•••Circlip	•••Attache en forme C	3	95/180-
20	12	734 1153-09	••Washer	••Rondelle	3	BRB 6,4X12
21	4	732 3116-14	••Nut	••Écrou	3	M6
22	2	438 4132-02	••Pin	••Goupille	3	
23	2	438 4128-01	Hinged joint	Assemblage articulé	3	
24	4	471 8341-51	Screw	Vis	3	L=60
25	4	471 7864-01	Clip	Colliers de serrage	3	M6
26	1	471 7674-01	Sign	Signe	3	
27	1	438 7668-02	Warning sign	Signal avertissement	3	English
	1	438 7668-09	Warning sign	Signal avertissement	3	Spanish
28	1	471 9883-01	Nozzle	Tuyère	1,2	COMPL., AQUA CLEAN -96/215
29	1	471 8690-01	Distance piece	Entretoise	3	Aqua clean -96/215
30	2	471 8159-07	Gasket	Joint	1	Aqua clean -96/215
31	2	734 1171-09	Washer	Rondelle	3	BRB 10X18 Aqua clean -96/215
32	1	471 8690-21	Angle connector	Raccord d'angle	3	Aqua clean -96/215
33	1	471 8143-01	Tube	Tube	1,2	L=3000 L=3000, AQUA CLEAN



Issue	Month	Year
01	10	96

EXSM 350 FC 96/216-

Spray system

Assemblage articulé et plaque

Illustration Issue Month Year
Schéma Issue Month Year
101453 1 8 1997

Item Article	Qua. Qua.	Art.No Réf. article	Description	Description	Info Info	Notes Remarques
1	1	471 9883-02	Nozzle	Tuyère	1	
2	2	740 4209-00	O-ring	Joint torique	1	
3	1	471 9884-01	Muff	Tubulure	3	
4	1	471 8690-21	Angle connector	Raccord d'angle	3	
5	1	471 8143-01	Tube	Tube	1,2	L=3000
6	1	762 1116-10	Grommet	Oeillet	3	
7	1	471 8688-14	Nipple	Raccord	3	
8	2	471 8636-04	Nipple	Raccord	3	
9	1	438 4125-01	Filter	Filtre	1,2	
10	1	471 8690-28	Angle connector	Raccord d'angle	3	
11	1	471 4672-08	Sign	Signe	3	
12	1	740 4811-03	O-ring	Joint torique	3	

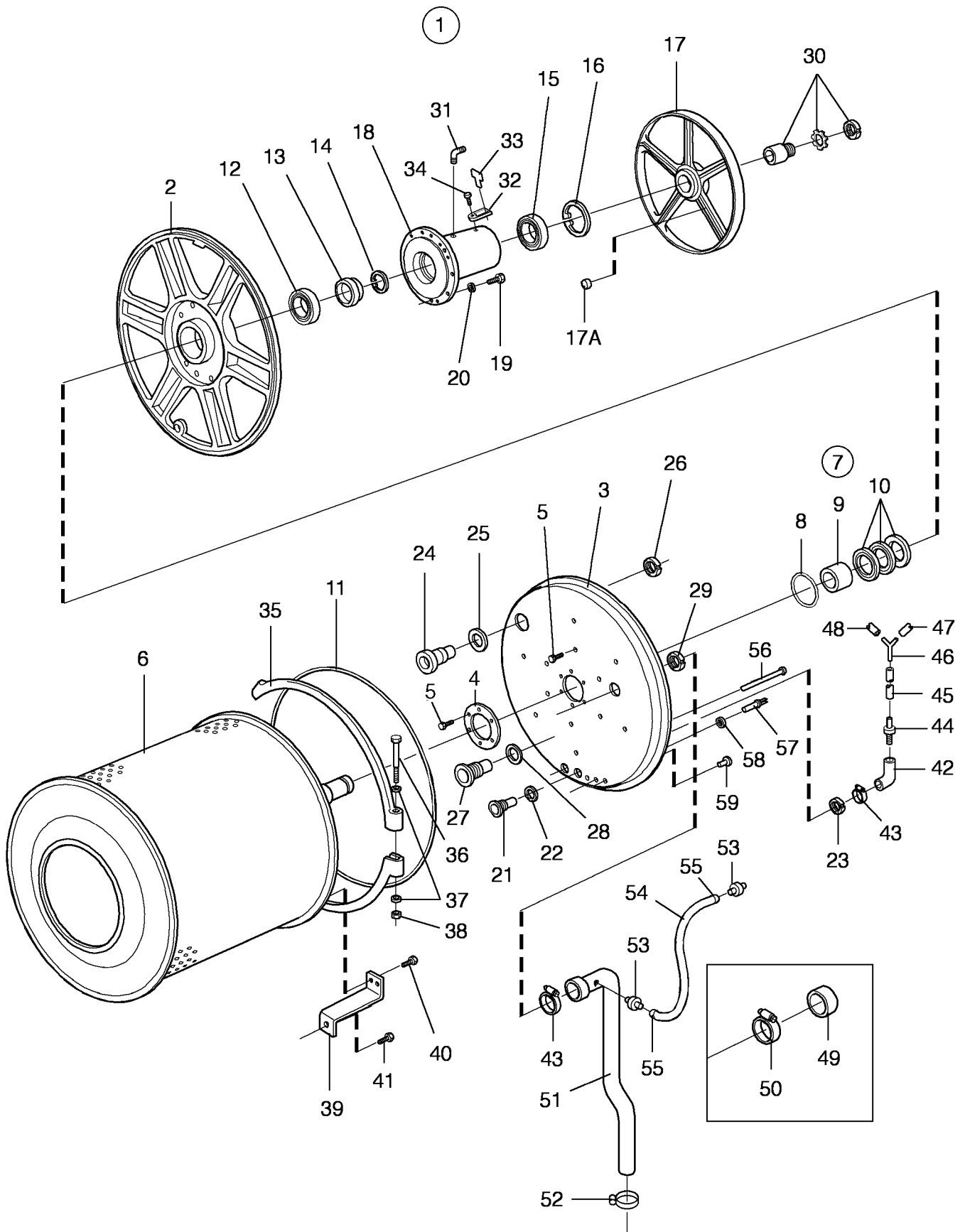
EXSM 350 Aqua Clean,EXSM 350 FC,EXSM 350 HI-TEK,EXSM 350 SELECTA 28

Back plate with inner drum

Illustration Issue Month Year
Schéma Issue Month Year
101125 9 11 2000

Pignon arrière avec tambour intérieur

Item Article	Qua. Qua.	Art.No Réf. article	Description	Description	Info Info	Notes Remarques
1	1	472 9911-06	Back plate	Pignon arrière	1	HW Complete -95/153
	1	472 9911-07	Back plate	Pignon arrière	1	DS Complete 95/154-
2	1	472 9902-90	•Back plate	•Pignon arrière	3	-95/153
	1	438 4520-03	•Back plate	•Pignon arrière	3	95/154-
3	1		•Plate	•Plaque	3	-95/153
	1	472 9911-04	•Plate	•Cloison	3	95/154-98/278
	1	438 0670-21	•Plate	•Plaque	3	98/279
	1	472 9902-91	•Plate	•Cloison	3	DS -95/153
	1	472 9911-05	•Plate	•Cloison	3	95/154-
4	1	438 0664-01	•Ring	•Anneau	3	-95/153
	1	438 0664-10	•Ring	•Anneau	3	95/154-
5	24	471 8320-05	•Screw	•Vis	3	M6X20
6	1	438 0654-01	•Inner drum	•Intérieur du tambour	1	
7	1	472 9902-46	•Bearing renovation kit	•Kit de reconditionnement	1,2	
8	1		••O-ring	••Joint torique		
9	1		••Bushing	••Douille		
10	3		••Sealing ring	••Bague d'étanchéité		
11	1		••Strip	••Ruban		
12	1		••Bearing	••Coussinet		
13	1		••Ring	••Anneau		
14	1		••C-clamp	••Presse à main		
15	1		••Bearing	••Coussinet		
16	1	735 3173-10	•C-clamp	•Presse à main	3	SGH130
17	1	438 4521-10	•Pulley	•Poulie	1	WITH MAGNETS
17A	2	471 9560-01	••Magnet	••Aimant	1	
18	1	472 6529-10	•Bearing housing	•Logement de palier	3	
19	16	725 2540-51	•Screw	•Vis	3	M12X40
20	16	734 1178-01	•Washer	•Rondelle	3	BRB 13X24
21	1	438 0456-01	•Nipple	•Raccord	3	
22	1	471 2440-10	•Gasket	•Joint	1	
23	1	438 0457-01	•Nut	•Écrou	3	
24	1	438 0458-01	•Nipple	•Raccord	3	
25	1	471 2440-12	•Gasket	•Joint	1	
26	1	438 0459-01	•Nut	•Écrou	3	
27	1	438 4101-01	•Nipple	•Raccord	3	
28	1	471 2441-44	•Gasket	•Joint	1	
29	1	438 4100-01	•Nut	•Écrou	3	
30	1	471 8551-03	•Sleeve	•Manchon	3	
31	1	471 8628-51	•Angle	•Coude	3	
32	1	438 0363-01	•Bracket	•Pièce de retenue	3	
33	1	471 8985-01	•Sensor	•Capteur	1,2	
34	1	725 2370-61	•Screw	•Vis	3	M6SF 6X20
35	3	472 6149-06	Tension strap	Extenseur	3	
36	3	471 9222-59	Screw	Vis	3	M8X140
37	6	734 1164-01	Washer	Rondelle	3	8,4X17
38	3	732 2118-01	Locking nut	Contre-écrou	3	M8
39	1	438 0672-01	Bracket	Pièce de retenue	3	
40	2	471 8341-46	Screw	Vis	3	M6X16
41	2	725 2366-61	Screw	Vis	3	M6SF 6X12
42	1	471 2095-32	Air chamber	Chambre à air	1	
43	2	736 2840-51	Hose clamp	Attache flexible	3	Ø50-63
44	1	471 2401-52	Nipple	Raccord	3	
45	1	471 2438-32	Hose	Flexible	3	L=940
46	1	471 2265-69	T-pipe	Tube en T	3	
47	1	471 2440-36	Hose	Flexible	3	L=90
48	1	471 2440-37	Hose	Flexible	3	
49	1	471 2416-83	Hood	Capot	3	
50	1	736 2825-51	Hose clamp	Attache flexible	3	Ø32
51	1	471 4403-02	Hose	Flexible	3	



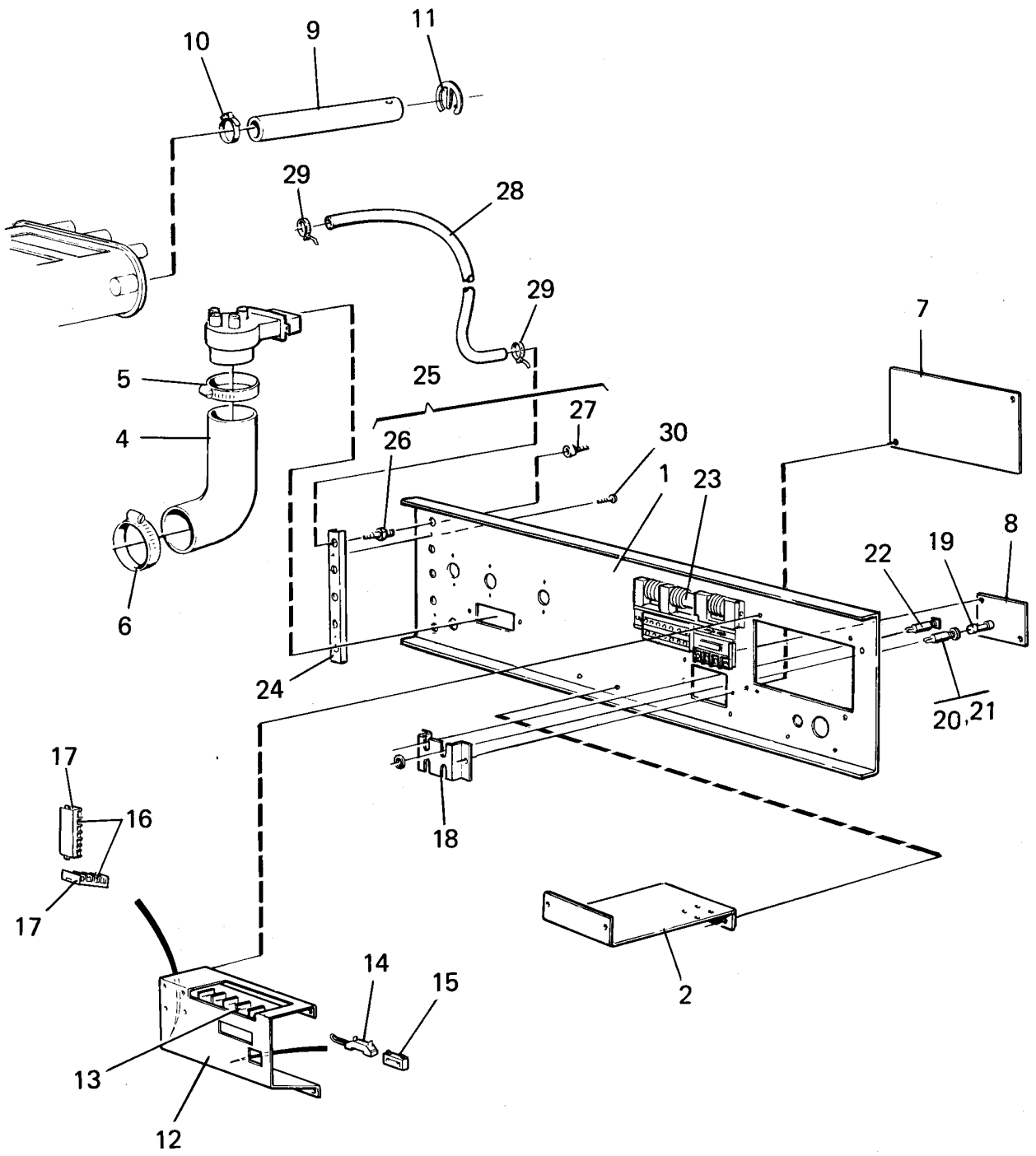
EXSM 350 Aqua Clean,EXSM 350 FC,EXSM 350 HI-TEK,EXSM 350 SELECTA 28

Back plate with inner drum

Illustration	Issue	Month	Year
Schéma	Issue	Month	Year
101125	9	11	2000

Pignon arrière avec tambour intérieur

Item Article	Qua. Qua.	Art.No Réf. article	Description	Description	Info Info	Notes Remarques
52	1	736 2831-51	Hose clamp	Attache flexible	3	Ø36-42 Complete
53	2	471 2432-25	Hose nipple	Mamelon de flexible	3	
54	1	471 2449-72	Hose	Flexible	3	
55	2	736 2842-01	Clamp	Attache	3	
56	1	471 2442-53	Injector	Injecteur	3	
57	1	472 9913-22	Sensor	Capteur	1,2	
58	3	471 8192-01	•Bushing	•Douille	1,2	
59	RQ	438 4118-01	Plug	Fiche	3	



Issue	Month	Year
03	03	96

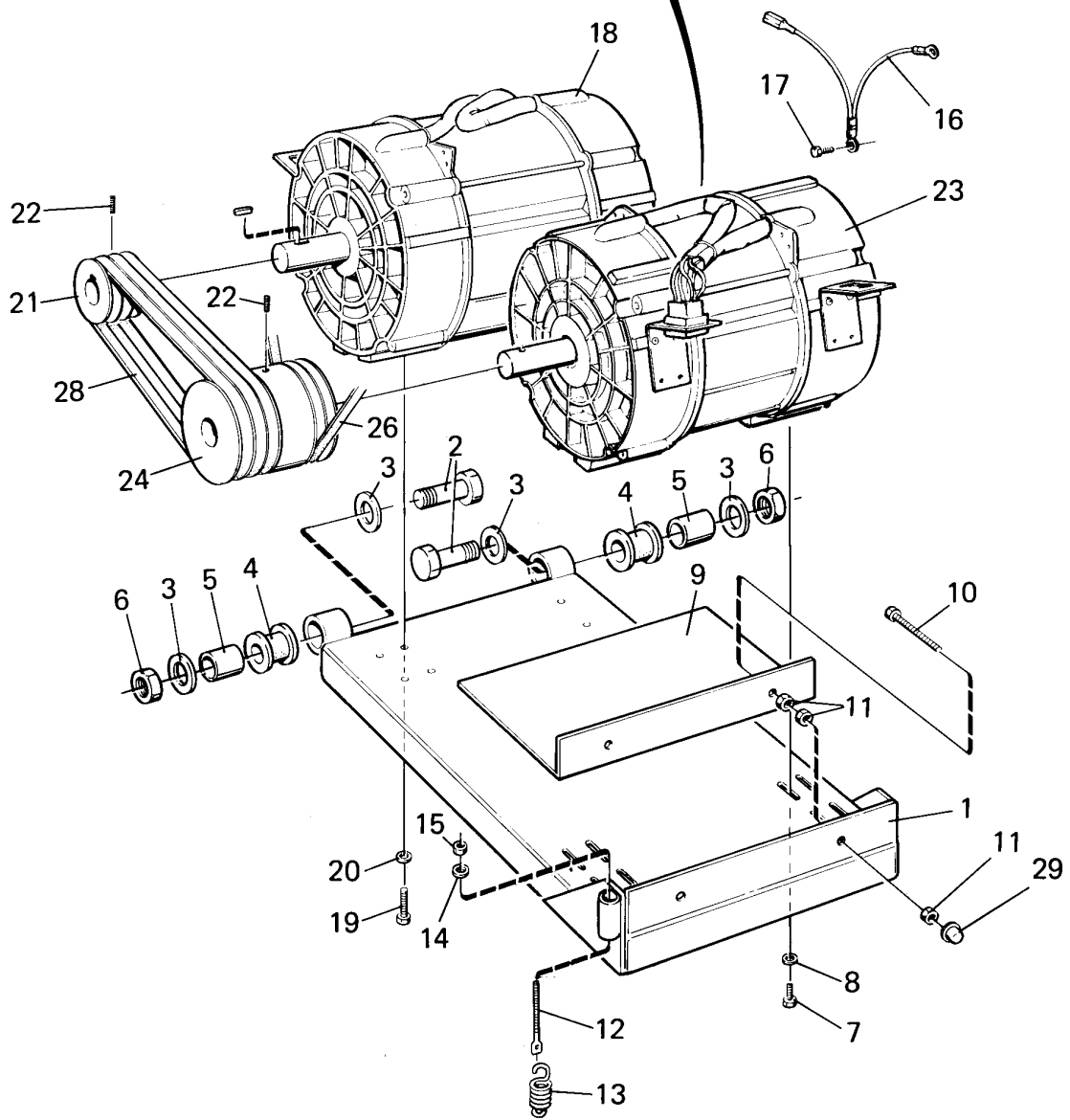
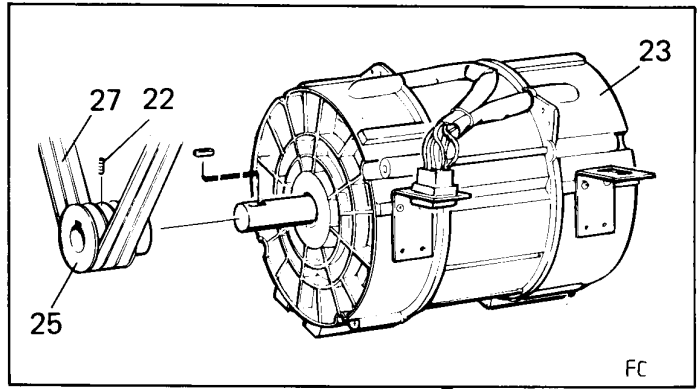
EXSM 350 Aqua Clean,EXSM 350 FC,EXSM 350 HI-TEK,EXSM 350 SELECTA 28

Rear panels

Illustration Issue Month Year
Schéma Issue Month Year
101126 4 4 1996

Plaques arrière

Item Article	Qua. Qua.	Art.No Réf. article	Description	Description	Info Info	Notes Remarques
1	1	438 0673-01	Back plate	Pignon arrière	3	White
	1	438 0673-50	Back plate	Pignon arrière	3	White Aqua clean
2	1	438 0676-01	Plate	Tableau	3	
3	1	471 4516-03	Air inlet	Prise d'air	3	
4	1	438 0692-01	Hose	Flexible	1	
5	1	736 2849-51	Hose clamp	Attache flexible	3	Ø77-93
6	3	736 2846-51	Hose clamp	Attache flexible	3	Ø73-83
7	1	438 4244-01	Cover	Couvercle	3	
8	1	438 0358-02	Cover	Couvercle	3	
9	1	438 0145-13	Hose	Flexible	3	
10	1	736 2825-51	Hose clamp	Attache flexible	3	Ø32
11	1	438 0127-01	Lock	Serrure	3	
12	1	438 4243-01	Mounting plate	Plaque de montage	3	
13	1	471 8759-01	Block	Cale	3	
	1	471 8762-02	Block	Cale	3	3AC
14	1	471 7865-03	Cable clip	Pièce fixation câbles	3	
15	1	471 9006-61	Cable clamp	Fixation câbles	3	
16	1	471 8760-01	Block	Cale	3	
17	1	471 8760-02	End support	Support	3	
18	1	438 0355-02	Mounting plate	Plaque de montage	3	
19	2	471 8750-11	Fuse	Porte-fusible	1,2	1,25A
	2	471 9027-85	Fuse	Porte-fusible	1,2	60Hz
20	2	471 8756-01	Fuse holder	Porte-fusible	1,2	5X20 MM
21	2	471 8756-51	Insert	Insertion	1	5X20MM
	2	471 8756-52	Insert	Insertion	1	6,3X32MM,60Hz
22	2	471 8778-01	Circuit breaker	Fusible	1,2	6A
23	1	471 9208-14	Motor cover	Protection du moteur	1	208-240V
24	1	438 4265-01	Bracket	Support	3	
25	5	471 8682-05	Hose nipple	Mamelon de flexible	1	
26	5	471 8682-02	•Hose nipple	•Mamelon de flexible	1	
27	5	471 8682-03	•Hose nipple	•Mamelon de flexible	1	
28	RQ	471 8144-01	Hose	Flexible	1	PER 1M
29	10	471 7873-01	Cable tie	Collier de serrage	3	
30	2	471 8340-13	Screw	Vis	3	RTS 3,5X13



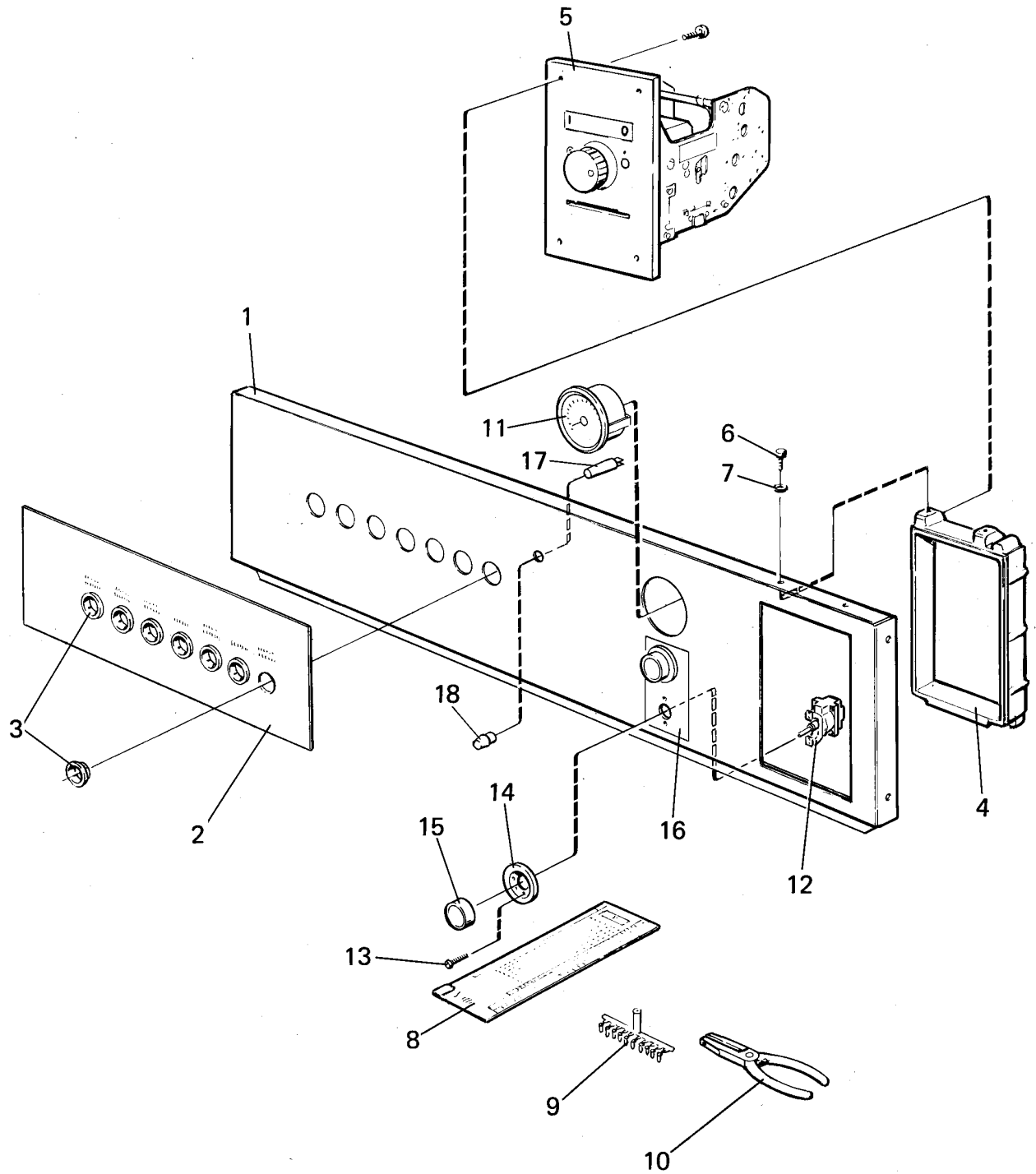
EXSM 350 Aqua Clean,EXSM 350 FC,EXSM 350 HI-TEK,EXSM 350 SELECTA 28

Motor bracket and motors

Illustration Issue Month Year
Schéma Issue Month Year
101127 4 3 1997

Support moteur et moteurs

Item Article	Quantity Quantité	Art.No Réf. article	Description	Description	Info Info	Notes Remarques
EXSM 350 Aqua Clean,EXSM 350 SELECTA 28						
EXSM 350 FC,EXSM 350 HI-TEK						
1	1	438 0631-01	Motor shelf	Berceau	3	
2	2	725 2634-51	Screw	Vis	3	M16X70
3	4	734 1186-01	Washer	Rondelle	3	BRB 17X30
4	2	471 2059-18	Rubber bushing	Douille caoutchouc	3	
5	2	438 0675-01	Bushing	Douille	3	
6	2	732 2124-01	Locking nut	Contre-écrou	3	M16
7	6	725 2453-51	Screw	Vis	3	M8X25
8	6	471 2401-49	Lock washer	Rondelle d'arrêt	3	8,4X17
9	1	438 0636-01	Plate	Tableau	3	
10	2	725 2463-71	Screw	Vis	3	M6S 8X60
11	2	731 2318-01	Nut	Écrou	3	M8
12	1	471 2440-26			3	
13	1	471 2439-90	Tensioner spring	Ressort tendeur	3	
14	1	471 8502-14	Washer	Rondelle	3	BRB 8,4X17
15	1	732 2118-01	Locking nut	Contre-écrou	3	M8
16	1	471 3878-05	Cable	Câble	3	FL, SELECTA 28
		438 4551-01	Cables	Câble	3	FC
17	1	471 8340-23	Screw	Vis	3	RTS 4,2X13
18	1	471 9707-01	Motor	Moteur	1,2	208-240V 3AC
19	6	725 2491-51	Screw	Vis	3	M10X20
20	6	734 1173-01	Washer	Rondelle	3	BRB 10,5X21
21	1	438 0681-01	Pulley	Poulie	3	
22	4	728 8362-01	Screw	Vis	3	SK6SS 6X8
23	1	471 9703-12	Motor	Moteur	1,2	208-240V 60Hz 3AC
		471 9743-01	Motor	Moteur	1,2	FC
24	1	438 0637-01	Pulley	Poulie	3	
25	1	438 0693-01	Pulley	Poulie	3	FC
26	1	471 7701-64	V-belt	Courroie en V	1,2	SET
27	1	471 7703-02	V-belt	Courroie en V	1,2	SET
28	1	471 7701-63	V-belt	Courroie en V	1,2	SET
29	2	471 8644-02	Plug	Fiche	3	



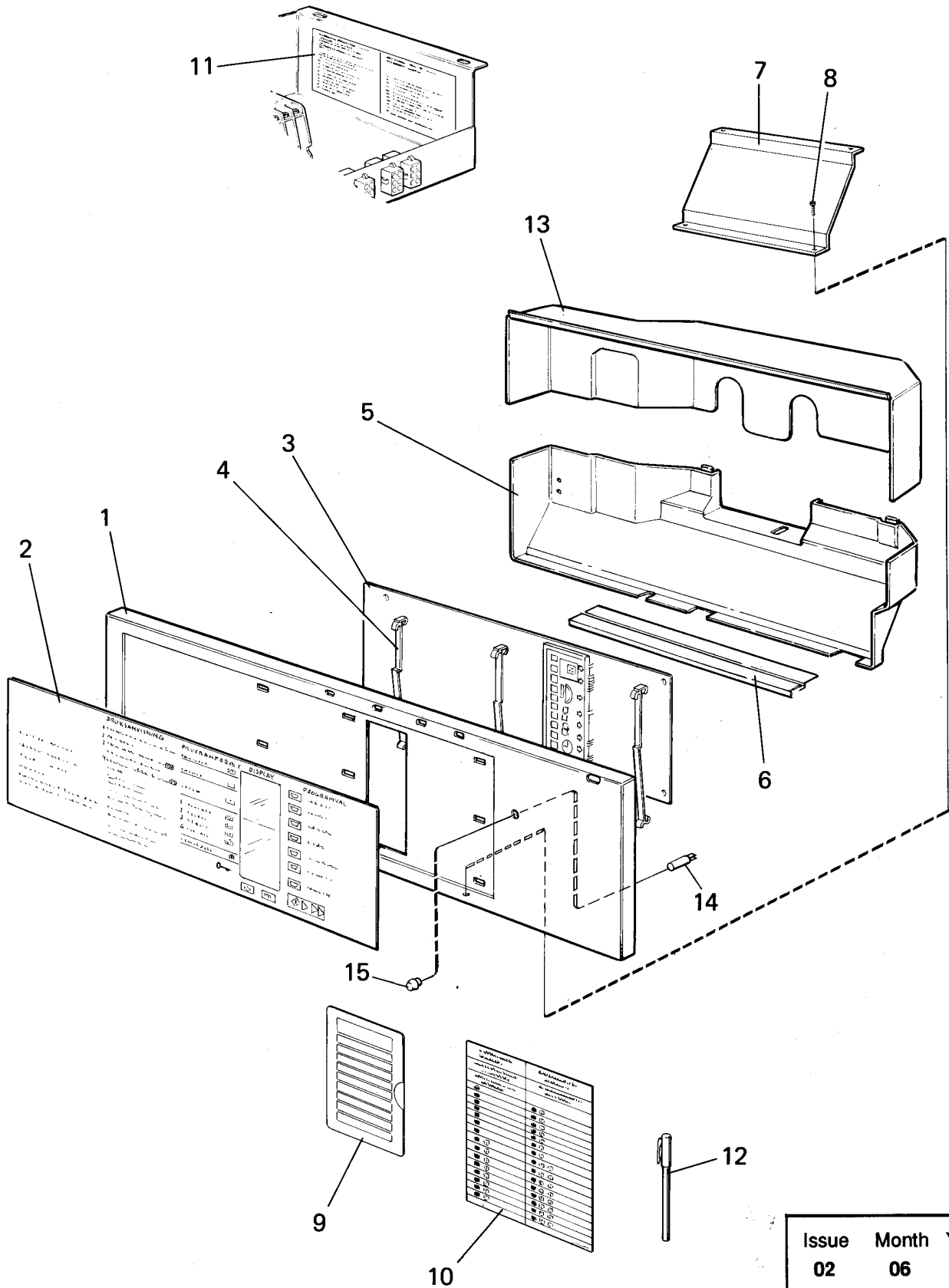
EXSM 350 Aqua Clean,EXSM 350 FC,EXSM 350 HI-TEK,EXSM 350 SELECTA 28

Control panel

Pupitre de commande

Illustration	Issue	Month	Year
Schéma	Issue	Month	Year
101128	2	3	1995

Item Article	Qua. Qua.	Art.No Réf. article	Description	Description	Info Info	Notes Remarques
1	1	438 0646-01	Control panel	Pupitre de commande	3	Non-heated
	1	438 0647-01	Control panel	Pupitre de commande	3	Steam heated
2	1	471 4527-78	User instructions	Instruction de fonctionnement	3	ENGLISH, SILVER
3	7	472 6079-00	Grommet	Oeillet	3	French
4	1	471 4705-02	Frame	Châssis	3	
5	1	471 9223-72	Card programmer	Programmeur cartes	1,2	60Hz See group US8337
6	2	471 8341-22	Screw	Vis	3	MRT 5X8
7	2	735 2146-01	Washer	Rondelle	3	M5
8	1	471 8955-01	Program card	Carte programme	1,2	80 STEPS
	1	471 9219-16	Program card	Carte programme	1,2	120 STEPS
9	1	471 6654-10	Pin	Goupille	1,2	Set,10pcs
10	1	471 8961-01	Pliers	Pince	1,2	
11	1	471 8810-02	Thermometer	Thermomètre	1,2	
12	2	471 8804-02	Thermostat	Thermostat	1,2	
13	4	471 8341-11	Screw	Vis	3	MRT 4X6
14	2	471 8804-71	Scale	Échelle	1	
15	2	471 8804-51	Handwheel	Bouton	1,2	
16	1	471 7673-01	Sign	Signe	3	



Issue	Month	Year
02	06	96

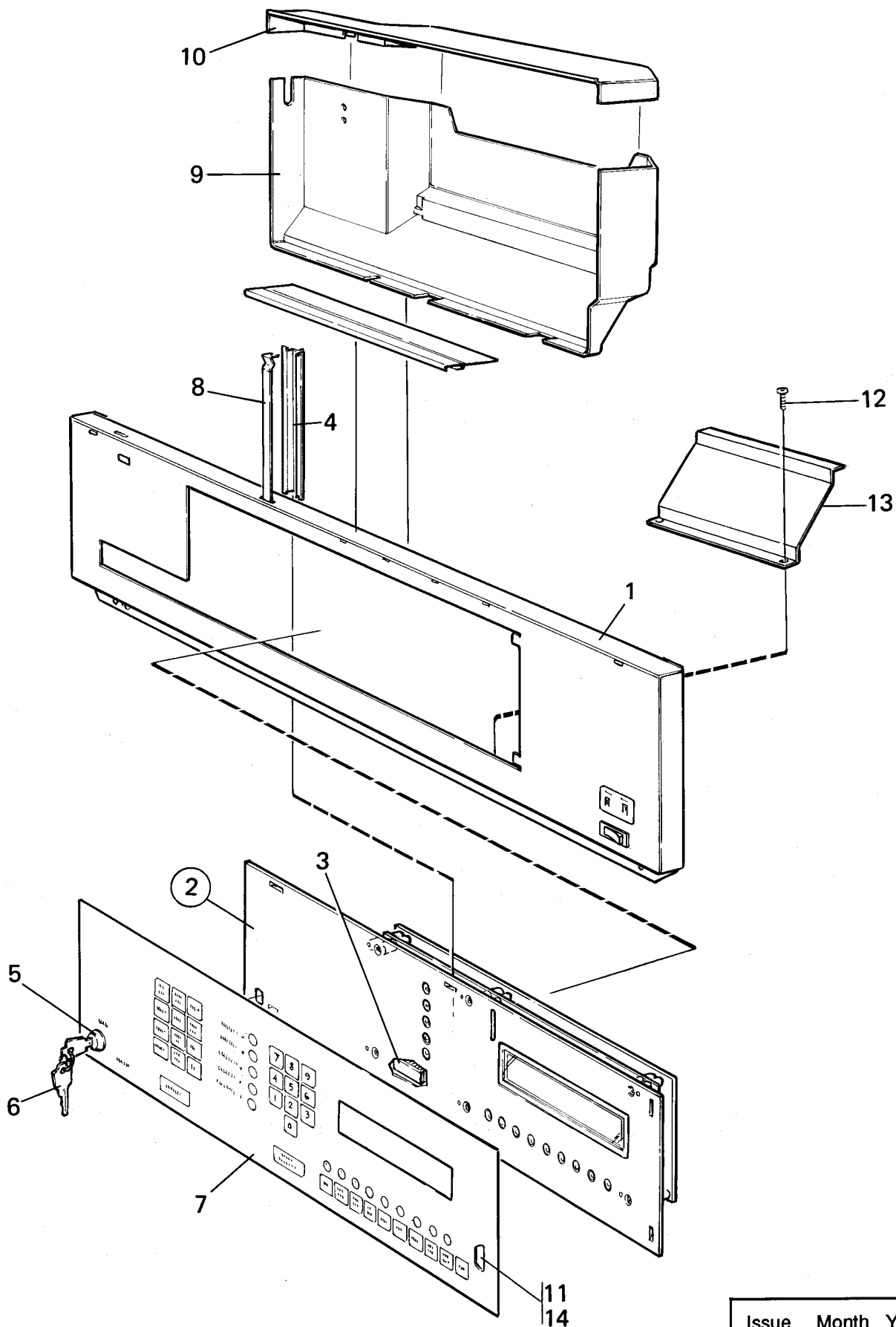
EXSM 350 SELECTA 28

Control panel

Pupitre de commande

Illustration Issue Month Year
Schéma Issue Month Year
101134 4 4 1996

Item Article	Qua. Qua.	Art.No Réf. article	Description	Description	Info Info	Notes Remarques
1	1	438 0648-01	Control panel	Pupitre de commande	3	
2	1	472 5752-04	Panel sign	Voyant du tableau	1	English
3	1	471 8964-07	Printed circuit board	Circuit imprimé	1,2	
4	3	472 8969-03	Bracket	Pièce de retenue	1	
5	1	438 4009-01	Heat shield	Bouclier thermique	3	
6						
7	1	471 4595-03	Bracket	Pupitre	3	
8	7	725 2289-61	Screw	Vis	3	M4X10
9	1	471 4657-18	Plastic pocket	Pochette plastique	3	
10	2	471 4657-20	Instruction card	Carte d'instructions	3	
11	1	471 4657-19	Sign	Signe	3	
12	1	471 4657-70	Pen	Feutre	1	
13	1	438 4009-02	Heat shield	Bouclier thermique	3	



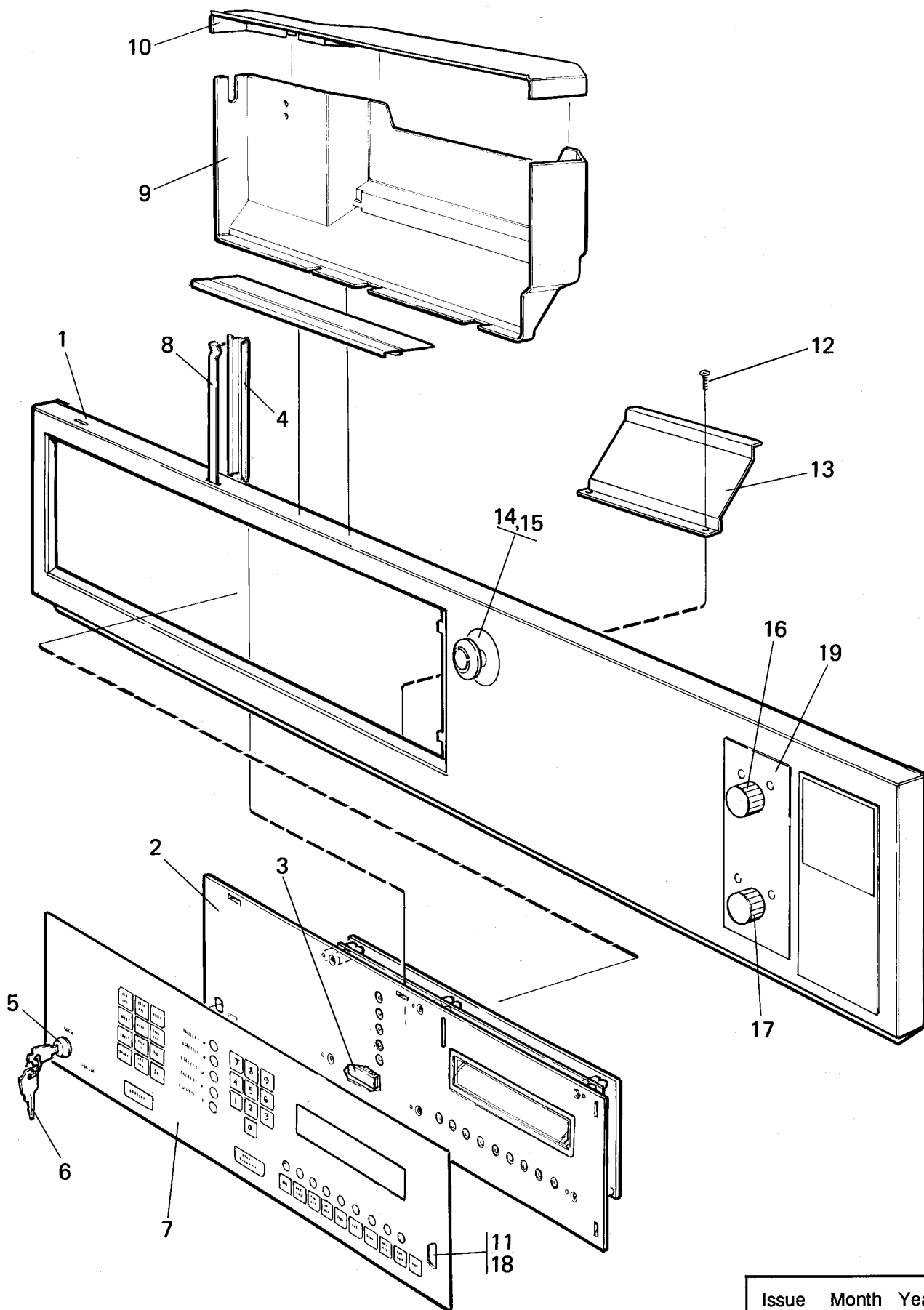
EXSM 350 FC

Control panel

Pupitre de commande

Illustration Issue Month Year
Schéma Issue Month Year
101129 5 1 1999

Item Article	Qua. Qua.	Art.No Réf. article	Description	Description	Info Info	Notes Remarques
1	1	438 0643-01	Control panel	Pupitre de commande	3	
2	1	471 8977-15	Printed circuit board	Carte de circuit imprimé	1,2	-95/151
	1	471 8977-25	Printed circuit board	Circuit imprimé	1,2	95/152-
3	1	471 9509-03	Program memory	Mémoire programme	1	Non-heated
	1	471 9509-06	Program memory	Mémoire programme	1	HEATED
4	1	471 4785-01	•Guide	•Guide	3	
5	1	471 4878-84	•Switch	•Commutateur	1,2	
6	1	471 8733-10	••Key	••Touche	1,2	
7	1	472 5756-01	Panel sign	Voyant du tableau	1	English
	1	472 5756-08	Panel sign	Voyant du tableau	1	French
8	2	471 4586-01	Lock plate	Gâche de serrure	3	
9	1	471 4714-04	Heat shield	Bouclier thermique	3	
10	1	471 4714-05	Heat shield	Bouclier thermique	3	
11			Memory cartridge	Cassette de mémoire		See group US8342
12	7	725 2289-61	Screw	Vis	3	M4X10
13	1	438 0699-01	Cover	Couvercle	3	
14	1	471 7963-01	Safety cover	Revêtement protection	3	



101404

Issue	Month	Year
01	03	96

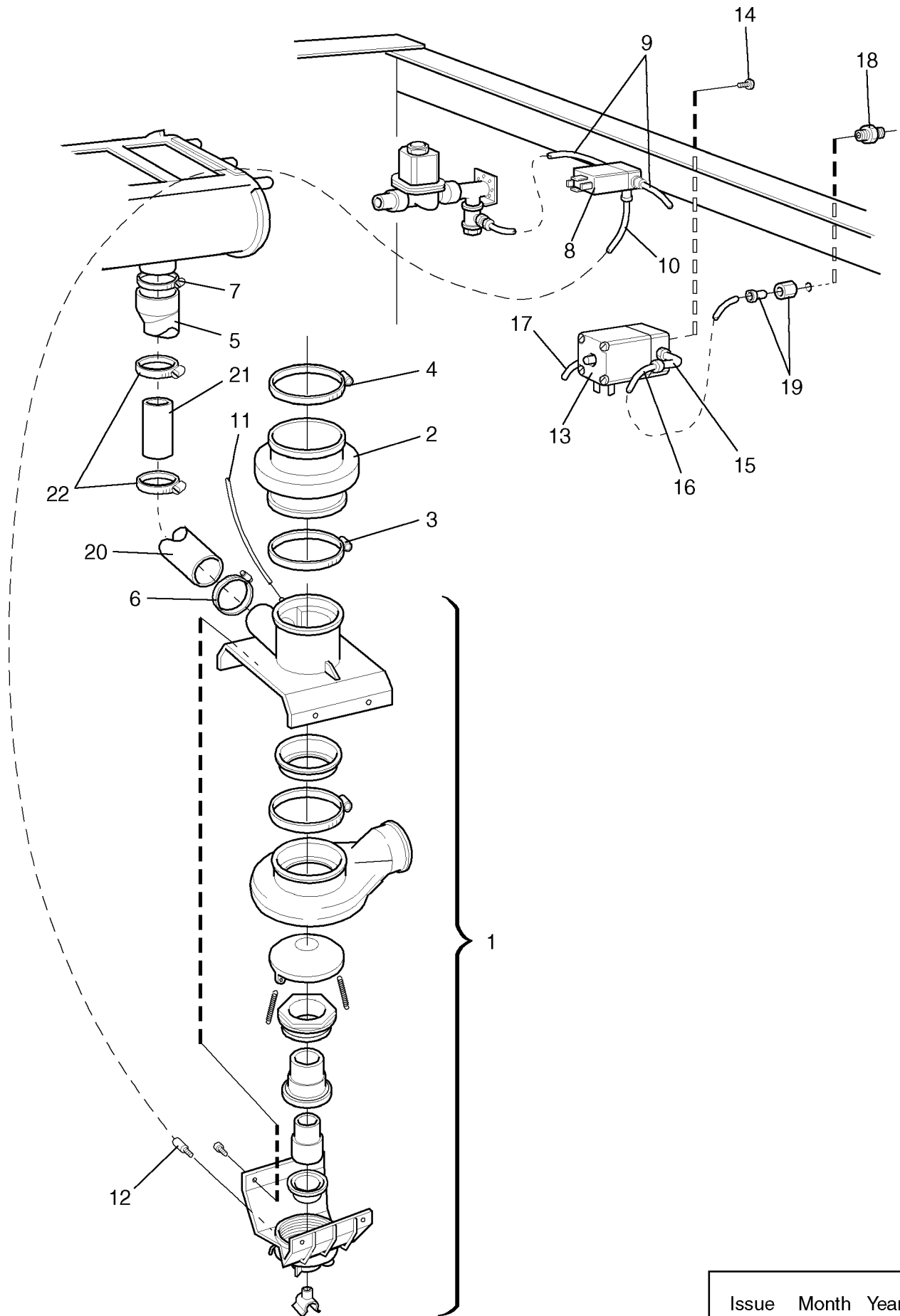
EXSM 350 Aqua Clean

Control panel

Pupitre de commande

Illustration Issue Month Year
Schéma Issue Month Year
101404 1 4 1996

Item Article	Qua. Qua.	Art.No Réf. article	Description	Description	Info Info	Notes Remarques
1	1	438 0643-75	Control panel	Pupitre de commande	3	
2	1	471 8977-20	Printed circuit board	Circuit imprimé	1,2	
3	1	471 9509-03	Program memory	Mémoire programme	1	Non-heated
	1	471 9509-06	Program memory	Mémoire programme	1	HEATED
4	1	471 4785-01	•Guide	•Guide	3	
5	1	471 4878-84	•Switch	•Commutateur	1,2	
6	1	471 8733-10	••Key	••Touche	1,2	
7	1	472 5756-01	Panel sign	Voyant du tableau	1	English
	1	472 5756-08	Panel sign	Voyant du tableau	1	French
8	2	471 4586-01	Lock plate	Gâche de serrure	3	
9	1	471 4714-04	Heat shield	Bouclier thermique	3	
10	1	471 4714-05	Heat shield	Bouclier thermique	3	
11			Memory cartridge	Cassette de mémoire		See group US8342
12	7	725 2289-61	Screw	Vis	3	M4X10
13	1	438 0699-01	Cover	Couvercle	3	
14	1	471 9628-17	Emergency stop	Arrêt d'urgence	1,2	
15	1	471 9628-94	Socket	Bloc de connexion	1	
16	1	471 9628-19	Control button	Bouton de commande	1	
17	1	471 9628-20	Control button	Bouton de commande	1	
18	1	471 7963-01	Safety cover	Revêtement protection	3	
19	1	471 7753-01	Sign	Signe	3	



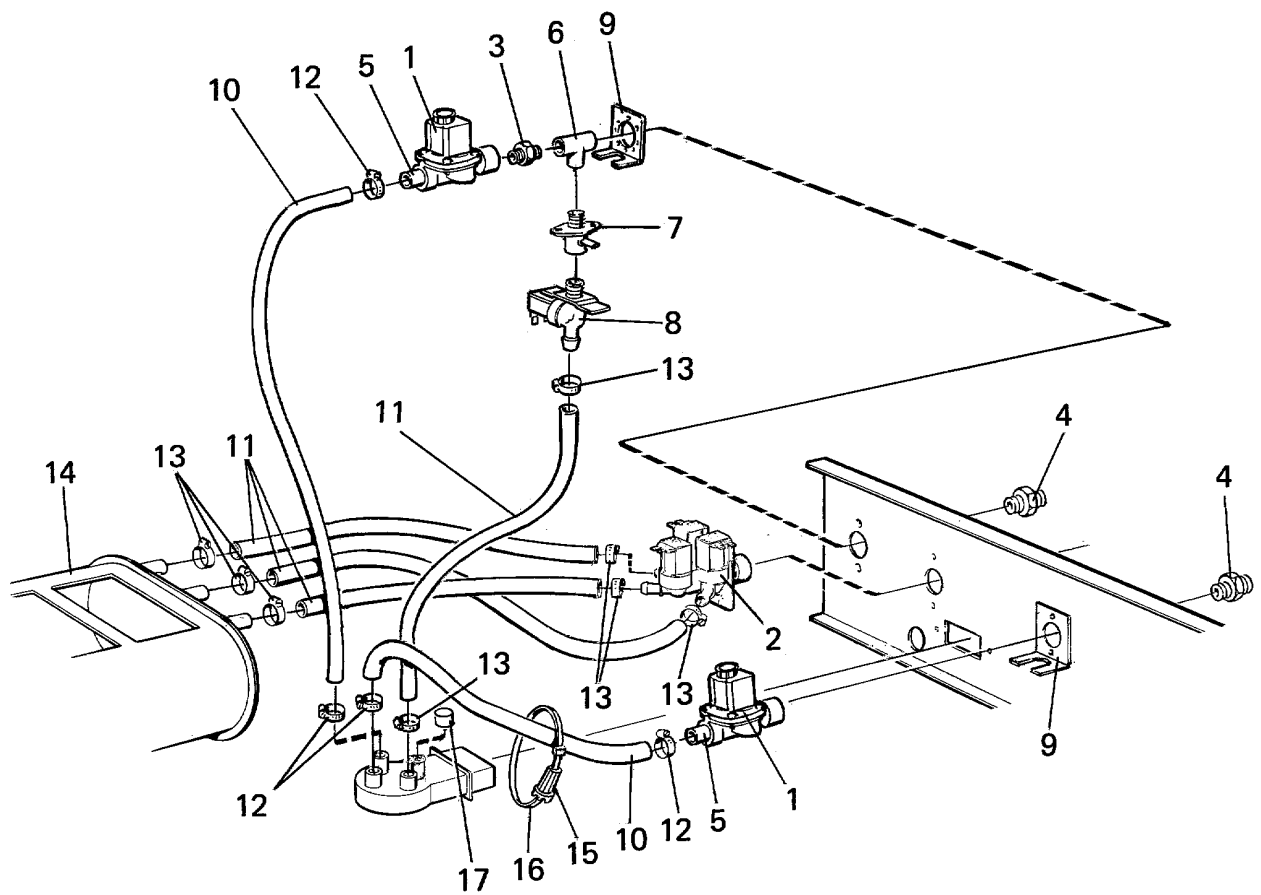
EXSM 350 Aqua Clean,EXSM 350 FC,EXSM 350 HI-TEK,EXSM 350 SELECTA 28

Drain valve and hoses

Illustration	Issue	Month	Year
Schéma	Issue	Month	Year
101130	6	9	2000

Soupape de purge et flexibles

Item Article	Qua. Qua.	Art.No Réf. article	Description	Description	Info Info	Notes Remarques
1	1	438 0093-01	Drain valve	Purgeur	1,2	Complete Complete See group US8107
2	1	471 2904-01	Connection	Flexible caoutchouc	3	
3	1	736 2849-51	Hose clamp	Attache flexible	3	Ø77-93
4	1	471 7851-03	Hose clamp	Attache flexible	3	Ø95-115
5	1	438 0688-01	Hose	Flexible	3	
6	1	736 2837-51	Hose clamp	Attache flexible	3	Ø48-54
7	1	736 2840-51	Hose clamp	Attache flexible	3	Ø50-63
8	1	471 8243-05	Solenoid valve	Electrovanne	1,2	208-240V 60Hz
9	2	471 8139-01	Hose	Flexible	1,2	L=330
10	1	471 8139-11	Hose	Flexible	1,2	L=1900
11	1	471 8118-06	Hose	Flexible	1,2	
12	1	471 8688-13	Nipple	Raccord	3	1/8"
13	1	471 9202-33	Solenoid valve	Électrovanne	1,2	60Hz Aqua clean
14	2	471 8341-11	Screw	Vis	3	MRT 4X6
15	2	471 8690-22	Connection	Connexion	3	Aqua clean
16	1	471 2456-71	Pipe	Tube	1	Aqua clean
17	1	471 2453-46	Hose	Flexible	1	L=1650 Aqua clean
18	1	741 4102-20	Bushing	Douille	3	Aqua clean
19	1	471 8690-32	Connection	Embrayage	3	Aqua clean
20	1	438 0690-01	Hose	Flexible	3	
21	1	471 7111-41	Joint sleeve	Couvre-joint	3	
22	2	736 2837-51	Hose clamp	Attache flexible	3	Ø48-54



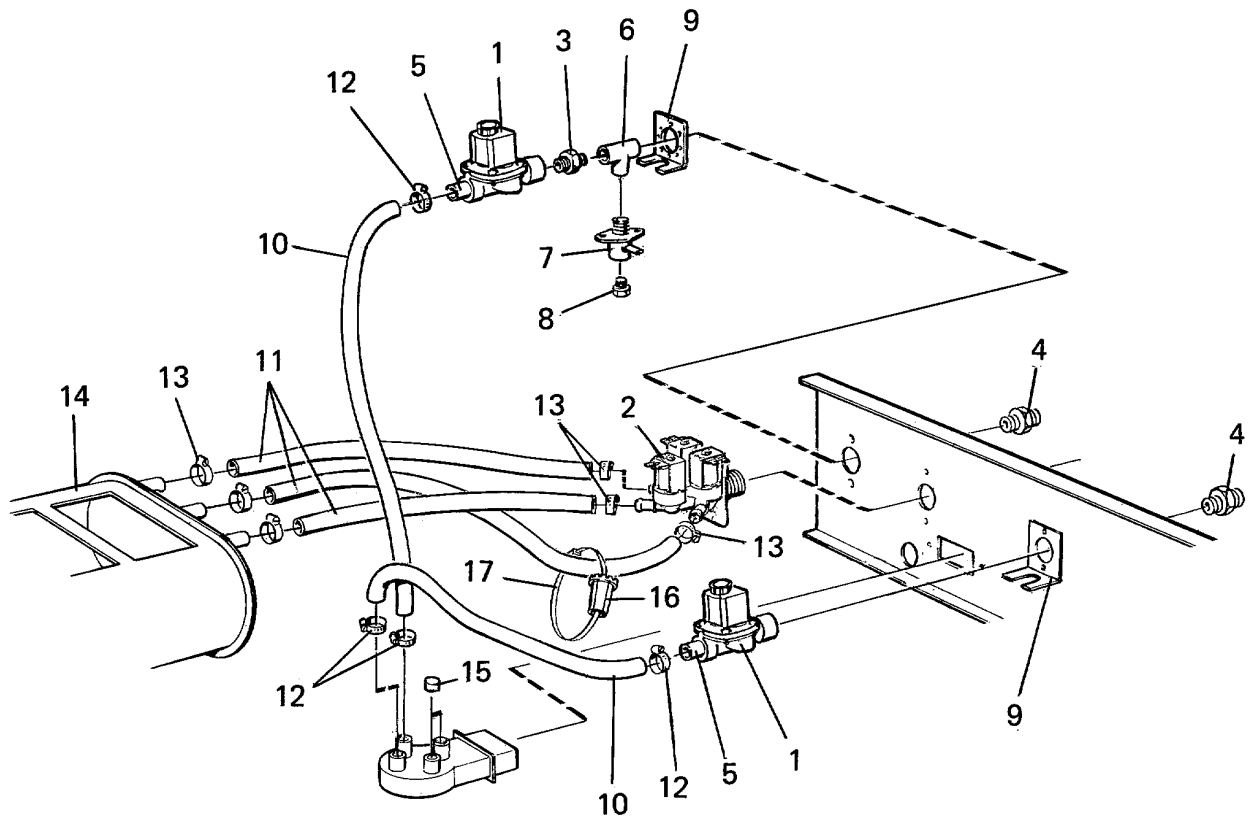
EXSM 350 Aqua Clean,EXSM 350 FC,EXSM 350 HI-TEK,EXSM 350 SELECTA 28

Water connections

Illustration	Issue	Month	Year
Schéma	Issue	Month	Year
101131	1	1	1994

Raccords d'eau

Item Article	Qua. Qua.	Art.No Réf. article	Description	Description	Info Info	Notes Remarques
1	2	471 8210-62	Valve	Soupape	1,2	See group US8125
2	1	471 8236-03	Valve	Soupape	1,2	EPDM 208-240V 60Hz 3-way See group US8113
3	1	471 8622-05	Nipple	Raccord	3	3/4"
4	2	471 8622-06	Nipple	Raccord	3	
5	2	471 8614-02	Hose nipple	Mamelon de flexible	3	R3/4"
6	1	742 5115-20	T-pipe	Tube en T	3	
7	1	438 0056-03	Nipple	Raccord	3	Black, 3/4"
8	1	471 8234-05	Valve	Soupape	3	60Hz 1-way See group US8110
9	1	438 0679-01	Bracket	Support	3	
10	RQ	877 5252-01	Hose	Flexible	1	
11	RQ	877 5211-08	Hose	Flexible	1	Per 1 m
12	4	736 2825-51	Hose clamp	Attache flexible	3	Ø32
13	7	736 2816-51	Hose clamp	Attache flexible	3	Ø13-19
14	1	438 0253-40	Detergent container	Compartiment à savon	3	
15	1	471 4792-01	Tool	Outil	3	
16	1	762 9105-05	Cable strap	Serre-câble	3	
17	1	471 8175-01	Plug	Fiche	3	



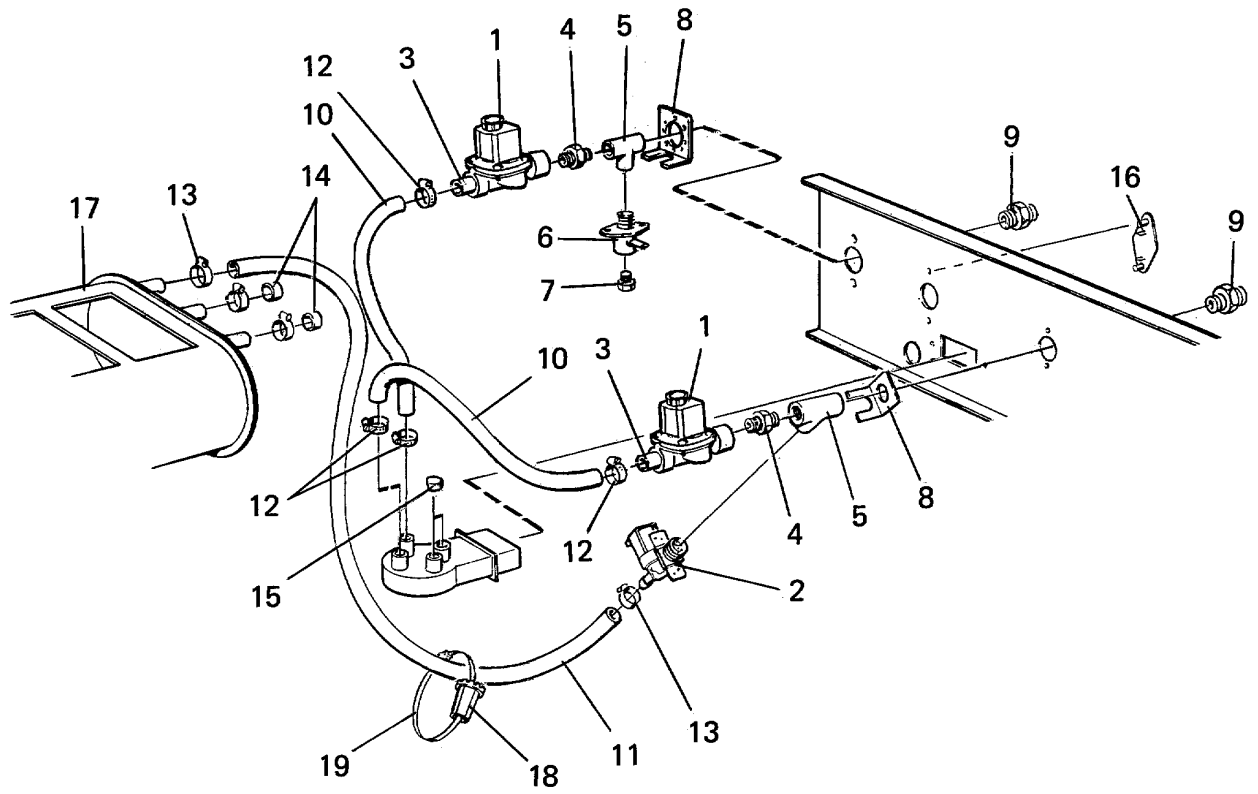
EXSM 350 HI-TEK

Water connections

Raccords d'eau

Illustration Issue Month Year
Schéma Issue Month Year
101132 2 3 1995

Item Article	Qua. Qua.	Art.No Réf. article	Description	Description	Info Info	Notes Remarques
1	2	471 8210-62	Valve	Soupape	1,2	See group US8125
2	1	471 8236-03	Valve	Soupape	1,2	EPDM 208-240V 60Hz 3-way See group US8113
3	1	471 8622-05	Nipple	Raccord	3	3/4"
4	2	471 8622-06	Nipple	Raccord	3	
5	2	471 8614-02	Hose nipple	Mamelon de flexible	3	R3/4"
6	1	742 5115-20	T-pipe	Tube en T	3	
7	1	438 0056-03	Nipple	Raccord	3	Black, 3/4"
8	1	741 5115-24	Plug	Fiche	3	3/4"
9	2	438 0679-01	Bracket	Support	3	
10	RQ	877 5252-01	Hose	Flexible	1	PER 1M
11	RQ	877 5211-08	Hose	Flexible	1	Per 1 m PER 1M
12	4	736 2825-51	Hose clamp	Attache flexible	3	Ø32
13	6	736 2816-51	Hose clamp	Attache flexible	3	Ø13-19
14	1	438 0253-40	Detergent container	Compartiment à savon	3	See group US8802
15	2	471 8175-01	Plug	Fiche	3	
16	1	471 4792-01	Tool	Outil	3	
17	1	762 9105-05	Cable strap	Serre-câble	3	



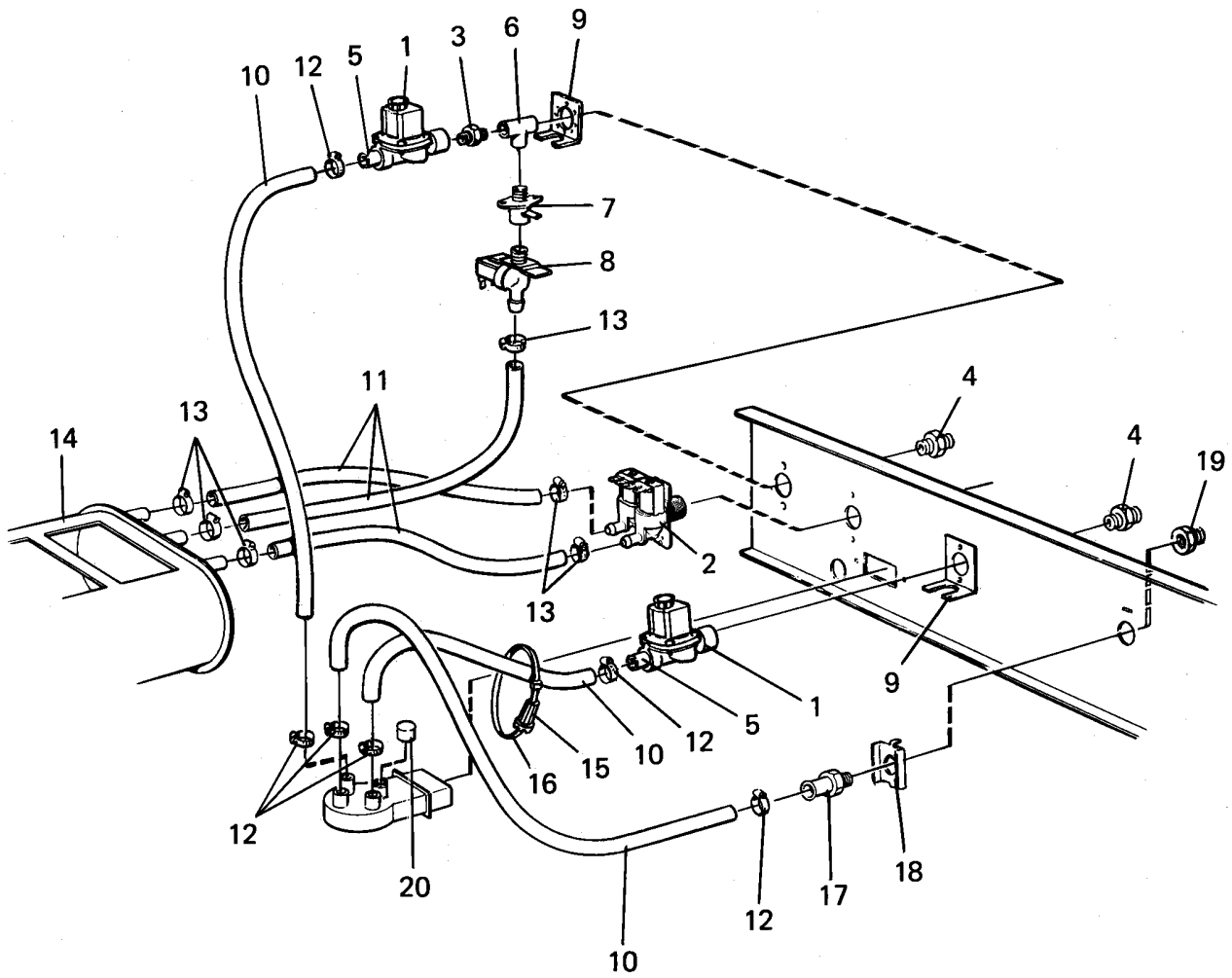
EXSM 350 SELECTA 28

Water connections

Raccords d'eau

Illustration Issue Month Year
Schéma Issue Month Year
101133 4 8 2001

Item Article	Qua. Qua.	Art.No Réf. article	Description	Description	Info Info	Notes Remarques
1	2	471 8210-62	Valve	Soupape	1,2	See group US8125
2	1	471 8234-09	Valve	Soupape	1,2	EPDM 208-240V 60Hz 1-way See group US8110
3	2	471 8614-02	Hose nipple	Mamelon de flexible	3	R3/4"
4	2	471 8622-05	Nipple	Raccord	3	3/4"
5	2	742 5115-20	T-pipe	Tube en T	3	
6	2	471 8279-04	Valve	Soupape	1,2	
	2	471 8279-09	•Repair kit	•Kit de réparation	1,2	
7	1	741 5115-24	Plug	Fiche	3	3/4"
8	4	438 0679-01	Bracket	Support	3	
9	2	471 8622-06	Nipple	Raccord	3	
10	RQ	877 5252-01	Hose	Flexible	1	PER 1M
11	RQ	877 5211-08	Hose	Flexible	1	Per 1 m PER 1M
12	4	736 2825-51	Hose clamp	Attache flexible	3	Ø32
13	4	736 2816-51	Hose clamp	Attache flexible	3	Ø13-19
14	2	471 9037-93	Hood	Capot	3	
15	2	471 8175-01	Plug	Fiche	3	
16	1	472 6761-01	Cover washer	Rondelle protection	3	
17	1	438 0253-40	Detergent container	Compartiment à savon	1	See group US8802
18	1	471 4792-01	Tool	Outil	3	
19	1	762 9105-05	Cable strap	Serre-câble	3	



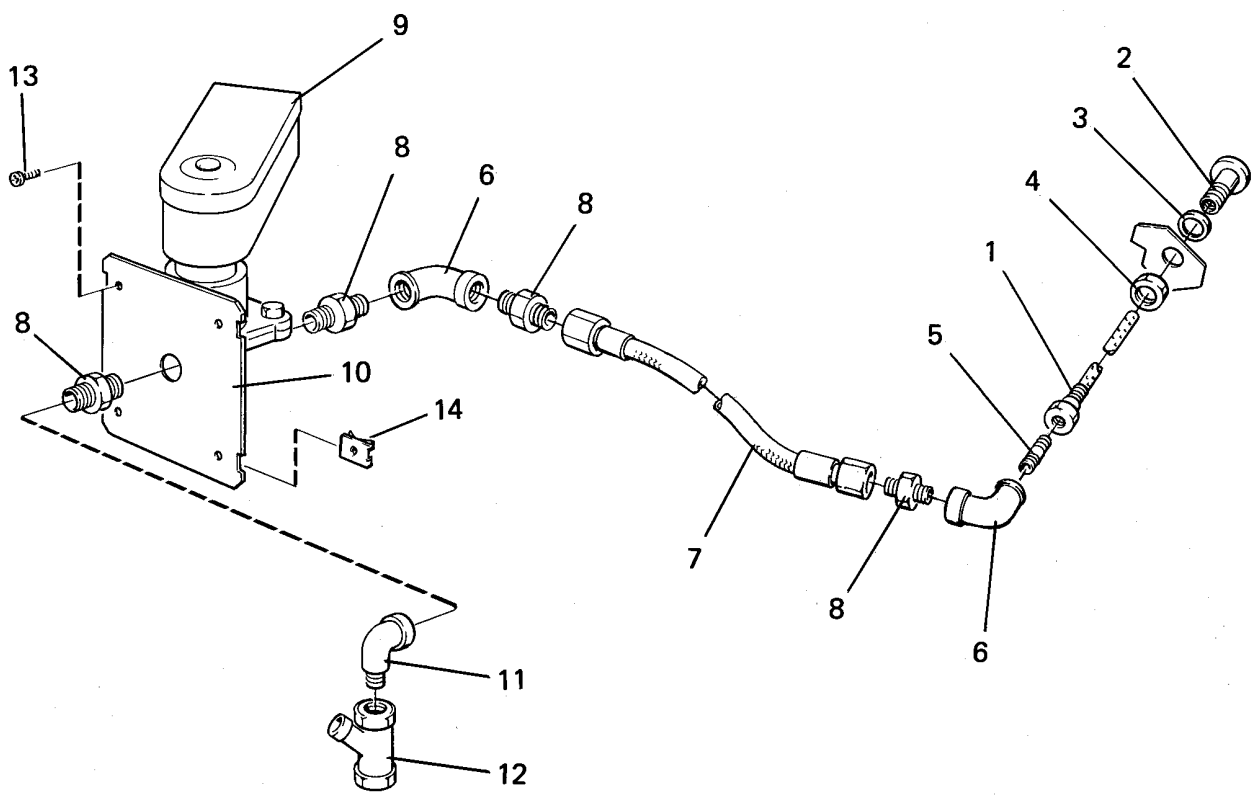
EXSM 350 Aqua Clean

Water connections

Raccords d'eau

Illustration Issue Month Year
Schéma Issue Month Year
101403 1 4 1996

Item Article	Qua. Qua.	Art.No Réf. article	Description	Description	Info Info	Notes Remarques
1	2	471 8210-62	Valve	Soupape	1,2	See group US8125
2	1	471 8235-04	Valve	Soupape	1,2	EPDM 208-240V 60Hz 2-way
3	1	471 8622-05	Nipple	Raccord	3	3/4"
4	2	471 8622-06	Nipple	Raccord	3	
5	2	471 8614-02	Hose nipple	Mamelon de flexible	3	R3/4"
6	2	742 5115-20	T-pipe	Tube en T	3	
7	1	438 0056-03	Nipple	Raccord	3	Black, 3/4"
8	4	471 8234-04	Valve	Soupape	3	208-240V 60Hz 1-way See group US8110
9	1	438 0679-02	Bracket	Support	3	
10	RQ	877 5252-01	Hose	Flexible	1	
11	RQ	877 5211-08	Hose	Flexible	1	Per 1 m
12	6	736 2825-51	Hose clamp	Attache flexible	3	Ø32
13	6	736 2816-51	Hose clamp	Attache flexible	3	Ø13-19
14	1	438 0253-42	Detergent container	Compartiment à savon	3	
15	1	471 4792-01	Tool	Outil	3	
16	1	762 9105-05	Cable strap	Serre-câble	3	
17	1	471 8623-01	Connection	Embrayage	3	1/2"
18	1	471 2937-02	Bracket	Support	3	
19	1	741 4114-20	Bushing	Douille	3	R 3/4"/1/2"
20	1	471 8175-01	Plug	Fiche	3	



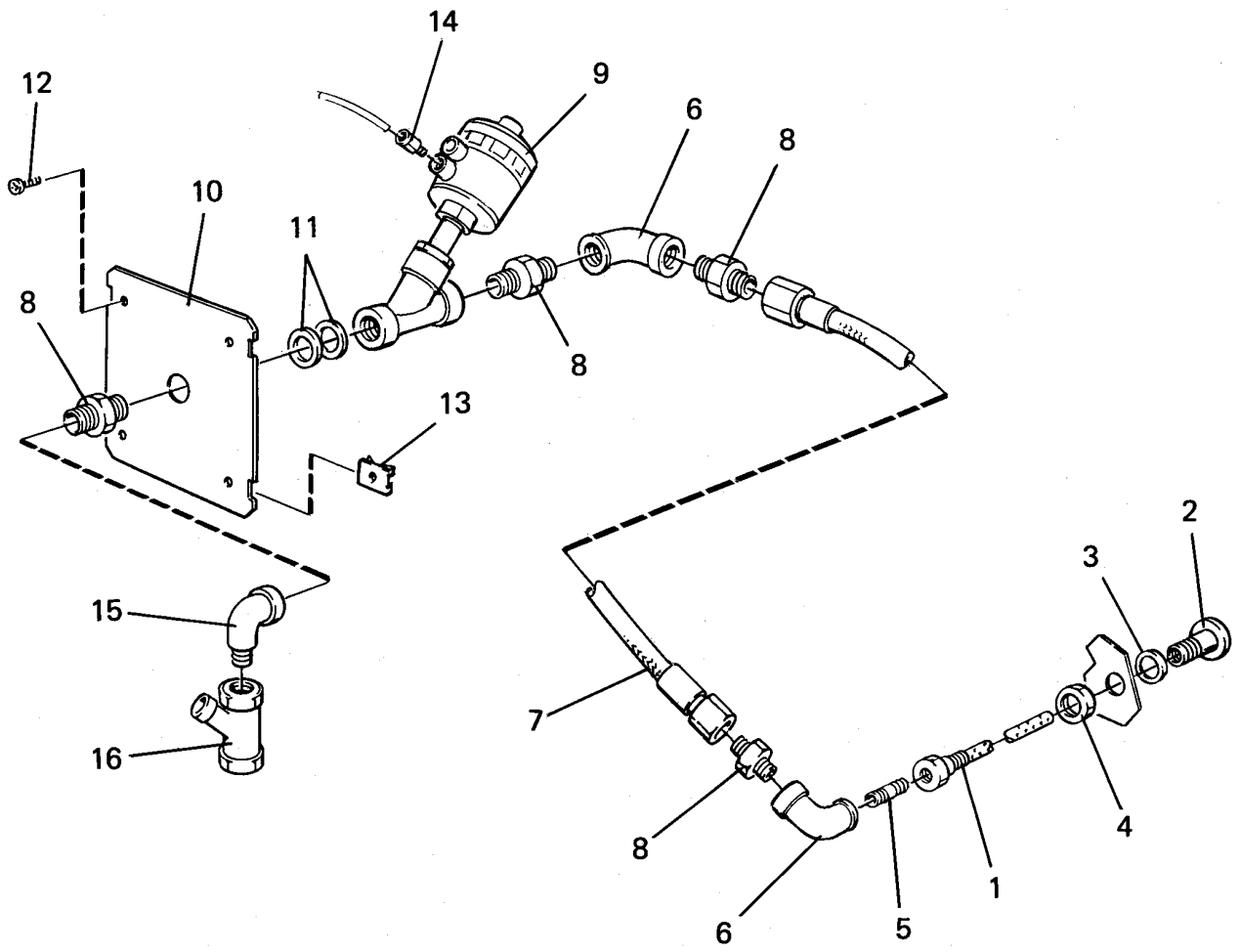
EXSM 350 Aqua Clean,EXSM 350 FC,EXSM 350 HI-TEK,EXSM 350 SELECTA 28

Steam components

Illustration	Issue	Month	Year
Schéma	Issue	Month	Year
101169	8	8	2001

Composants

Item Article	Qua. Qua.	Art.No Réf. article	Description	Description	Info Info	Notes Remarques
1	1	471 2442-53	Injector	Injecteur	3	
2	1	438 0694-01	Adapter	Adaptateur	3	
3	1	471 2440-10	Gasket	Joint	3	
4	1	438 0695-01	Nut	Écrou	3	
5	1	471 8608-00	Nipple pipe	Tuyau raccordement	3	
6	2	742 1115-20	Elbow pipe	Tube en V	3	
7	1	471 8126-03	Hose	Flexible	1	
8	4	471 9219-38	Nipple	Raccord	3	3/4"
9	1	471 8279-04	Valve	Soupape	1,2	
	1	471 8279-09	Repair kit	Kit de réparation	1,2	
10	1	438 0680-01	Bracket	Support de montage	3	
11	1	471 9030-35	Elbow pipe	Tube en V	3	3/4"
12	1	744 3115-06	Filter	Filtre	3	R 3/4"
13	4	471 8344-35	Screw	Vis	3	M6X16
14	4	471 7864-01	Clip	Colliers de serrage	3	M6



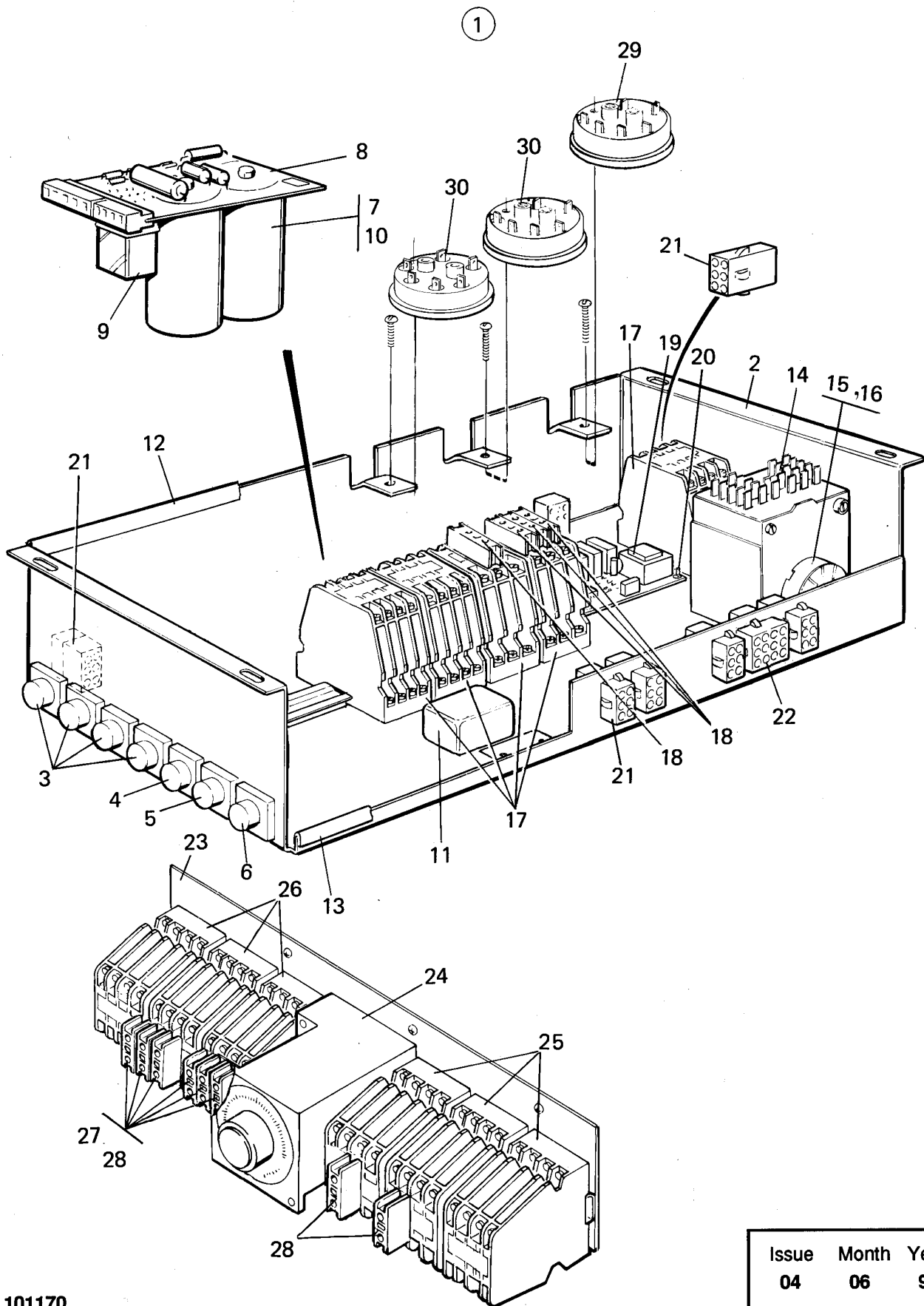
EXSM 350 Aqua Clean

Steam components

Illustration Issue Month Year
Schéma Issue Month Year
101400 2 7 1996

Composants

Item Article	Qua. Qua.	Art.No Réf. article	Description	Description	Info Info	Notes Remarques
1	1	471 2442-53	Injector	Injecteur	3	
2	1	438 0694-01	Adapter	Adaptateur	3	
3	1	471 2440-10	Gasket	Joint	3	
4	1	438 0695-01	Nut	Écrou	3	
5	1	471 8608-00	Nipple pipe	Tuyau raccordement	3	
6	1	742 1115-20	Elbow pipe	Tube en V	3	
7	1	471 8126-03	Hose	Flexible	1	
8	1	471 9219-38	Nipple	Raccord	3	3/4"
9	1	471 8232-14	Valve	Soupape	1,2	
10	1	438 0680-01	Bracket	Support de montage	3	
11	2	471 8502-27			3	
12	4	471 8344-35	Screw	Vis	3	M6X16
13	1	471 7864-01	Clip	Colliers de serrage	3	M6
14	1	471 8683-01	Connection	Embrayage	3	
15	1	471 9030-35	Elbow pipe	Tube en V	3	3/4"
16	1	744 3115-06	Filter	Filtre	3	R 3/4"



EXSM 350 Aqua Clean,EXSM 350 FC,EXSM 350 HI-TEK,EXSM 350 SELECTA 28

Control unit

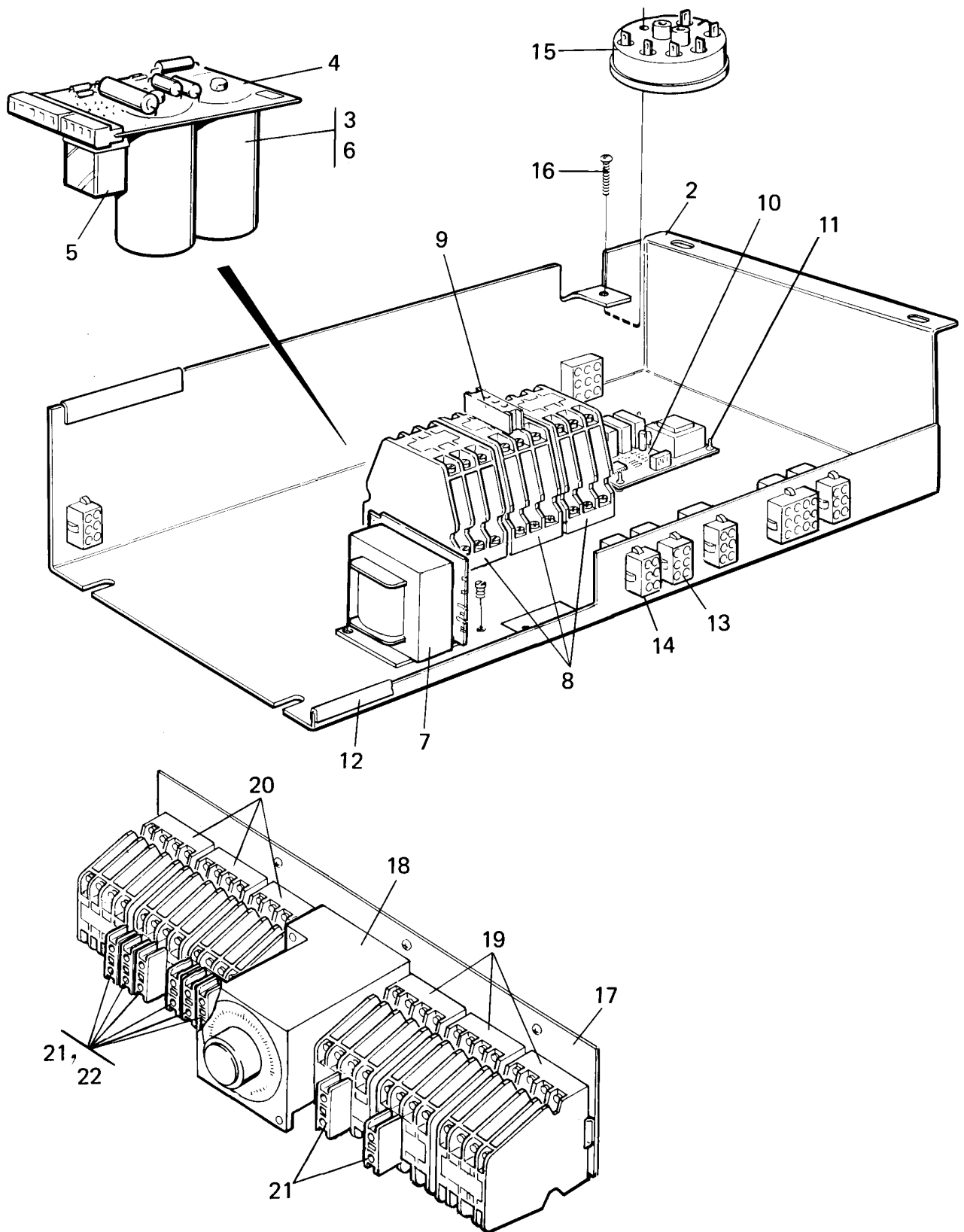
Illustration Issue Month Year
Schéma Issue Month Year

Unité de commande

101170 6 8 1997

Item Article	Qua. Qua.	Art.No Réf. article	Description	Description	Info Info	Notes Remarques
1	1	438 0684-01	Control unit	Unité de contrôle	3	Complete
2	1	472 6061-07	•Mounting plate	•Plaque de montage	3	
3	4	471 9610-05	•Switch	•Commutateur	1,2	
4	1	471 9610-04	•Switch	•Commutateur	1,2	
5	1	471 9610-02	•Switch	•Commutateur	1,2	
6	1	471 9610-06	•Switch	•Commutateur	1,2	
7	1	438 9514-01	•Delay unit	•Bascule de retard	1,2	
8	1	438 9514-02	•Printed circuit board	•Circuit imprimé	1,2	
9	1	471 9649-01	•Relay	•Relais	1,2	
10	2	471 9035-20	•Nut	•Écrou	3	M8
11	1	471 9651-50	•Buzzer	•Console	1	208-240V
12	1	471 8180-14	•Strip	•Ruban	3	
13	1	471 8180-12	•Strip	•Ruban	3	
14	1	471 2422-20	•Reverser	•Inverseur	1,2	60Hz
15	1	471 9056-92	•Motor	•Moteur	1,2	OLD TIMER 208-240V 60Hz
16	1	471 6536-78	•Clamp	•Bride de fixation	3	
17	5	438 9636-03	•Contactor	•Relais	1,2	60Hz
18	4	767 5102-92	•Auxiliary contact	•Contact de secours	1,2	HN01 Red
19	1	472 9902-74	•Speed control	•Contrôle vitesse	1,2	Kit
20	4	471 7958-01	•Support	•Support	3	
21	RQ	762 3211-01	•Plug connector	•Connexion enfichable	3	6-pole
22	RQ	762 3231-01	•Plug connector	•Connexion enfichable	3	9-POLE
23	1	438 0682-01	Mounting plate	Plaque de montage	3	
24	1	471 9226-97	Time relay	Relais temporisé	1,2	50/60Hz
25	3	438 9636-03	Contactor	Relais	1,2	60Hz
26	3	767 5103-18	Contactor	Relais	1,2	K2-30A, 60Hz
27	3	767 5102-92	Auxiliary contact	Contact de secours	1,2	HN01 Red
28	5	767 5101-92	Auxiliary contact	Contact de secours	1,2	HN10 Green
29	1	471 8860-10	Level control	Réglage de niveau	1,2	
30	2	471 8860-11	Level control	Réglage de niveau	1,2	

1



EXSM 350 SELECTA 28

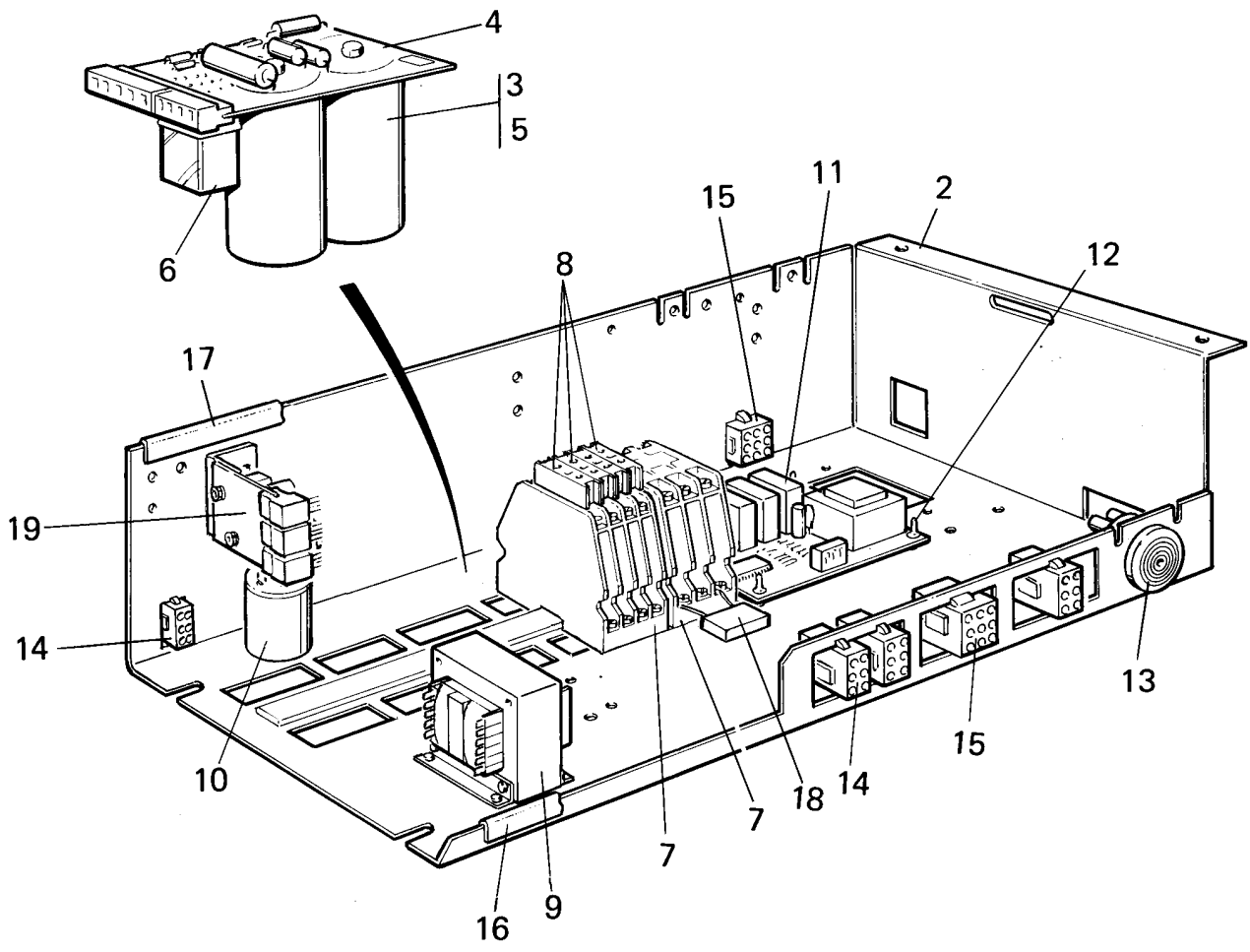
Control unit

Unité de commande

Illustration Issue Month Year
Schéma Issue Month Year
101171 8 8 1997

Item Article	Qua. Qua.	Art.No Réf. article	Description	Description	Info Info	Notes Remarques
1	1	438 0685-01	Control unit	Unité de contrôle	3	
2	1	472 6061-04	•Mounting plate	•Plaque de montage	3	
3	1	438 9514-01	•Delay unit	•Bascule de retard	1,2	
4	1	438 9514-02	••Printed circuit board	••Circuit imprimé	1,2	
5	1	471 9649-01	•Relay	•Relais	1,2	
6	2	471 9035-20	••Nut	••Écrou	3	M8
7	1	471 9558-03	•Transformer	•Transformateur	1	MP
8	3	438 9636-03	•Contactor	•Relais	1,2	60Hz
9						Not used
10	1	472 9902-74	•Speed control	•Contrôle vitesse	1,2	Kit -95/178
	1	471 8983-31	•Speed control	•Contrôle vitesse	1,2	95/179-
11	4	471 7958-01	•Support	•Support	3	
12	1	471 8180-13	•Strip	•Ruban	3	
13	RQ	762 3211-01	•Plug connector	•Connexion enfichable	3	6-pole
14	RQ	762 3231-01	•Plug connector	•Connexion enfichable	3	9-POLE
15	1	471 8860-10	Level control	Réglage de niveau	1,2	
16	1	471 8340-12	Screw	Vis	3	RTS 3,5X9,5
17	1	438 0682-01	Mounting plate	Plaque de montage	3	
18	1	471 9226-97	Time relay	Relais temporisé	1,2	50/60Hz
19	3	438 9636-03	Contactor	Relais	1,2	60Hz
20	3	767 5103-18	Contactor	Relais	1,2	K2-30A, 60Hz
21	5	767 5101-92	Auxiliary contact	Contact de secours	1,2	HN10 Green
22	3	767 5102-92	Auxiliary contact	Contact de secours	1,2	HN01 Red

1



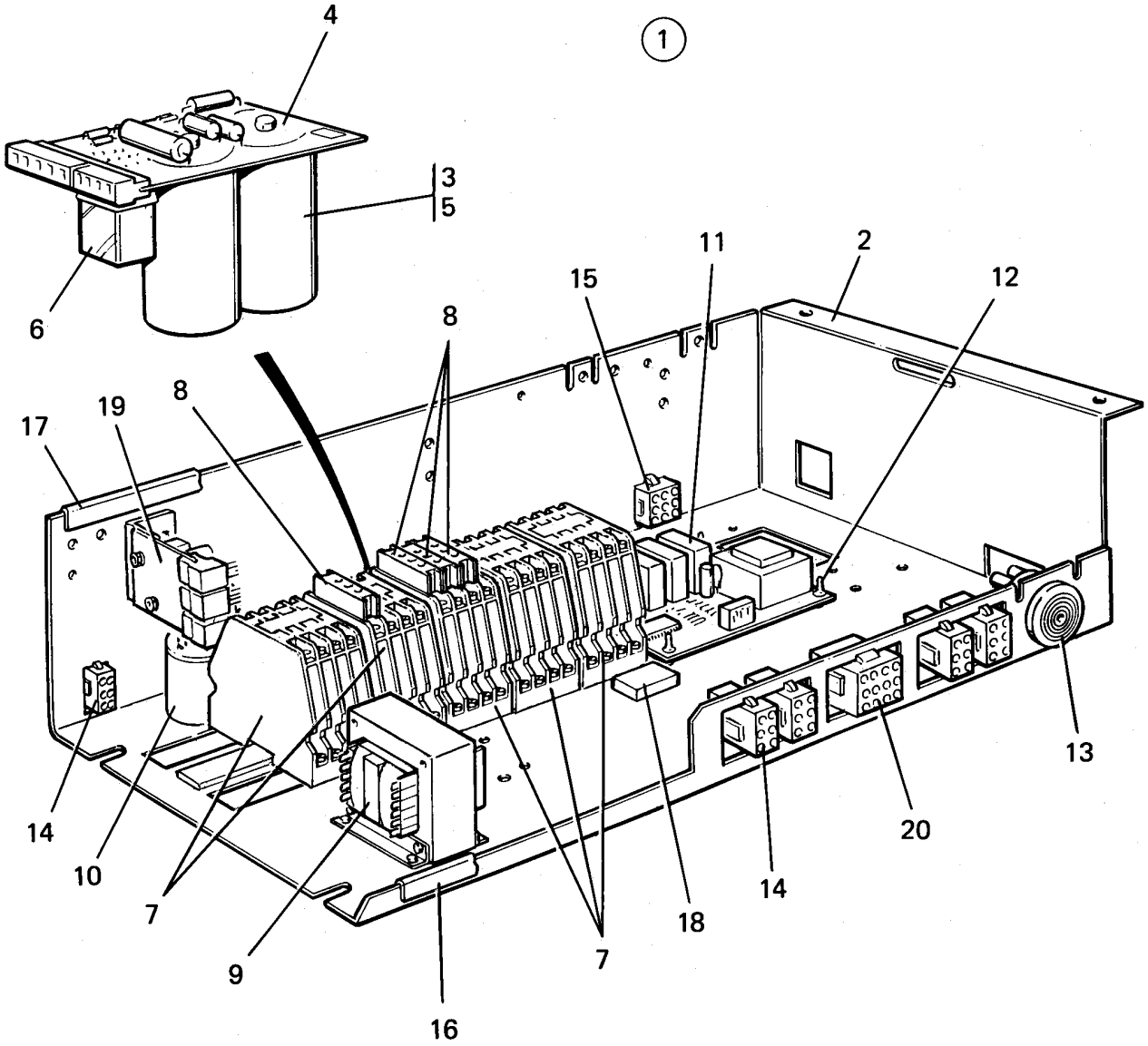
EXSM 350 FC

Control unit

Unité de commande

Illustration Issue Month Year
Schéma Issue Month Year
101172 9 6 1997

Item Article	Qua. Qua.	Art.No Réf. article	Description	Description	Info Info	Notes Remarques
1	1	438 0686-01	Control unit	Unité de contrôle	3	
2	1	472 6061-04	•Mounting plate	•Plaque de montage	3	
3	1	438 9514-01	•Delay unit	•Bascule de retard	1,2	
4	1	438 9514-02	••Printed circuit board	••Circuit imprimé	1,2	
5	2	471 9035-20	••Nut	••Écrou	3	M8
6	1	471 9649-01	••Relay	••Relais	1,2	
7	2	438 9636-03	•Contactor	•Relais	1,2	60Hz
8	4	767 5102-92	•Auxiliary contact	•Contact de secours	1,2	HN01 Red
9	1	471 9550-15	•Transformer	•Transformateur	1	208/220/240/480V
10	1	471 9529-10	•Mains filter	•Filtre de filet	1	208-240V
11	1	472 9902-72	•Speed control	•Contrôle vitesse	1,2	Kit -95/178
	1	471 8983-31	•Speed control	•Contrôle vitesse	1,2	95/179-
12	4	471 7958-01	•Support	•Support	3	
13	1	471 9653-03	•Buzzer	•Console	3	
14	RQ	762 3211-01	•Plug connector	•Connexion enfichable	3	6-pole
15	RQ	762 3231-01	•Plug connector	•Connexion enfichable	3	9-POLE
16	1	471 8180-10	•Strip	•Ruban	3	
17	1	471 8180-13	•Strip	•Ruban	3	
18	1	471 9528-02	•RC-protection	•Protection RC	1,2	
19	1	471 7473-21	Printed circuit board	Circuit imprimé	1,2	95/152-



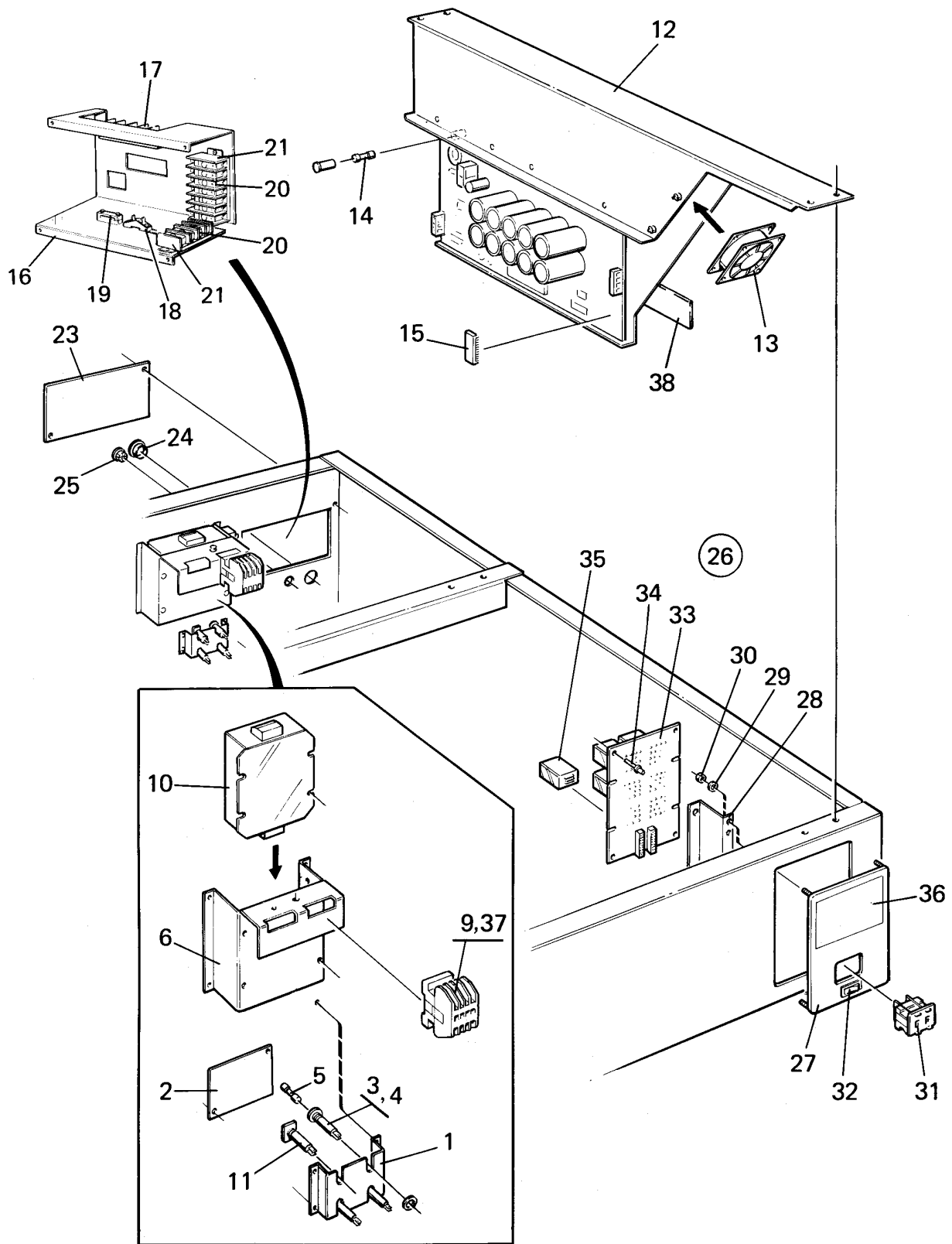
EXSM 350 Aqua Clean

Control unit

Unité de commande

Illustration Issue Month Year
Schéma Issue Month Year
101401 2 6 1997

Item Article	Qua. Qua.	Art.No Réf. article	Description	Description	Info Info	Notes Remarques
1	1	438 0686-11	Control unit	Unité de contrôle	3	
2	1	472 6061-04	•Mounting plate	•Plaque de montage	3	
3	1	438 9514-01	•Delay unit	•Bascule de retard	1,2	
4	1	438 9514-02	••Printed circuit board	••Circuit imprimé	1,2	
5	2	471 9035-20	••Nut	••Écrou	3	M8
6	1	471 9649-01	••Relay	••Relais	1,2	
7	5	438 9636-03	•Contactor	•Relais	1,2	60Hz
8	4	767 5102-92	•Auxiliary contact	•Contact de secours	1,2	HN01 Red
9	1	471 9550-15	•Transformer	•Transformateur	1	208/220/240/480V
10	1	471 9529-10	•Mains filter	•Filtre de filet	1	208-240V
11	1	472 9902-72	•Speed control	•Contrôle vitesse	1,2	Kit -95/178
	1	471 8983-31	•Speed control	•Contrôle vitesse	1,2	95/179-
12	4	471 7958-01	•Support	•Support	3	
13	1	471 9653-03	•Buzzer	•Console	3	
14	RQ	762 3211-01	•Plug connector	•Connexion enfichable	3	6-pole
15	RQ	762 3231-01	•Plug connector	•Connexion enfichable	3	9-POLE
16	1	471 8180-10	•Strip	•Ruban	3	
17	1	471 8180-13	•Strip	•Ruban	3	
18	1	471 9528-02	•RC-protection	•Protection RC	1,2	
19	1	471 7473-21	•Printed circuit board	•Circuit imprimé	1,2	95/152-
20	1	762 3251-01	Plug connector	Connexion enfichable	3	12-POLE



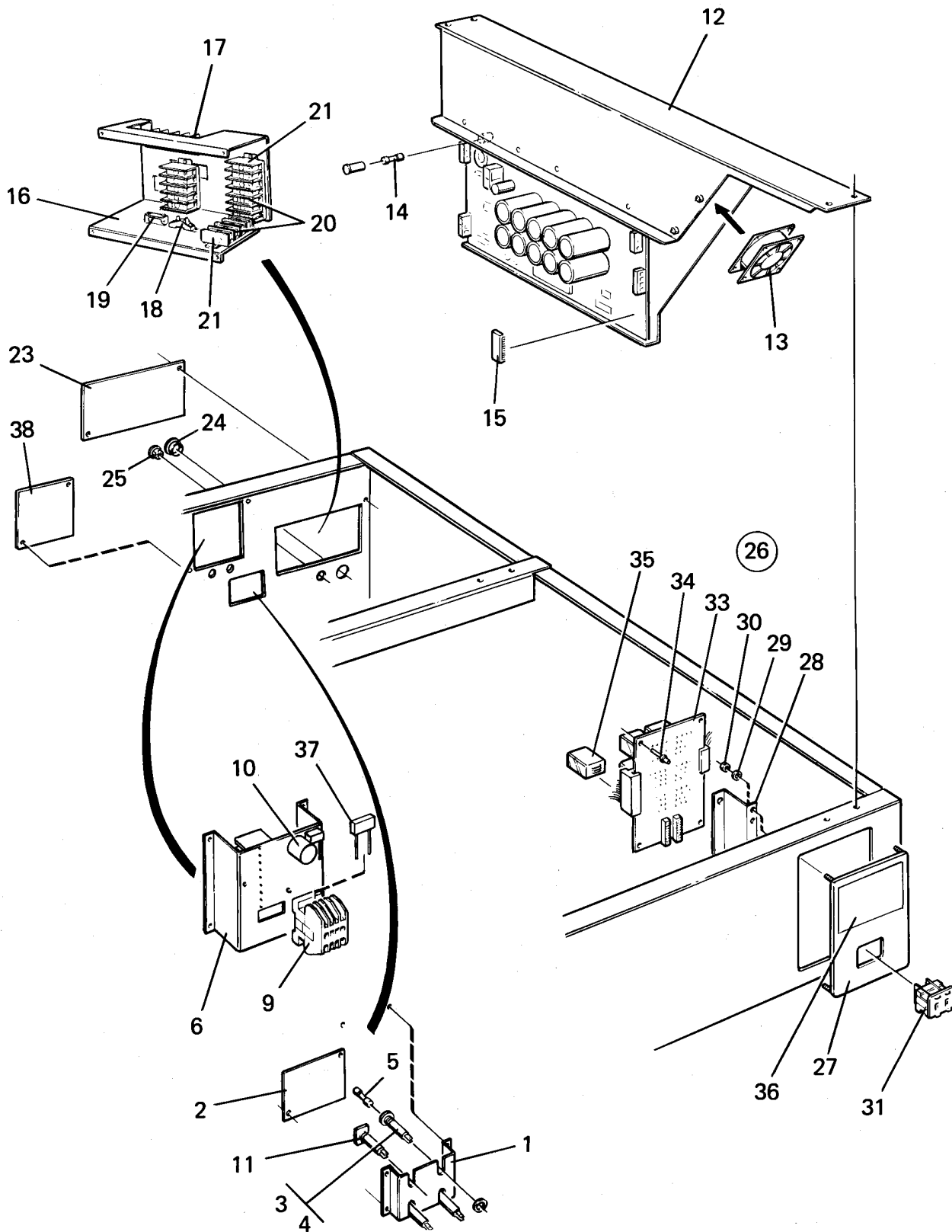
EXSM 350 FC

Components

Composants

Illustration Schéma Issue Issue Month Month Year Year
101173 8 4 1999

Item Article	Qua. Qua.	Art.No Réf. article	Description	Description	Info Info	Notes Remarques
1	1	438 0355-02	•Mounting plate	•Plaque de montage	3	
2	1	438 0358-02	Cover	Couvercle	3	
3	2	471 8756-01	Fuse holder	Porte-fusible	1	5X20 MM
4	2	471 8756-52	Insert	Insertion	1	6,3X32MM,60Hz
5	2	471 9027-85	Fuse	Porte-fusible	1,2	60Hz
6	1	438 4240-01	Bracket	Pupitre	3	
7						Not used
8						Not used
9	1	438 9636-03	Contactora	Relais	1,2	60Hz
10	1	471 9523-01	Filter	Filtre	1,2	
11	2	471 8778-01	Circuit breaker	Fusible	1,2	6A
12	1	471 9753-43	Printed circuit board	Circuit imprimé	1,2	
	1	471 9755-13	•Printed circuit board	•Circuit imprimé	1,2	
13	1	471 9773-01	•Fan	•Ventilateur	1	
14	1	762 8201-91	•Fuse	•Porte-fusible	1,2	
15	1	438 4363-51	•Prom	•Prom	1,2	
16	1	438 4243-01	Mounting plate	Plaque de montage	3	
17	1	471 8759-01	Block	Cale	3	
18	1	471 7865-03	Cable clip	Pièce fixation câbles	3	
19	1	471 9006-61	Cable clamp	Fixation câbles	3	
20	10	471 8760-01	Block	Cale	3	
21	2	471 8760-02	End support	Support	3	
22						Not used
23	1	438 4244-01	Cover	Couvercle	3	
24	1	762 1191-10	Grommet	Oeillet	3	
25	1	471 7967-01	Bushing	Douille	3	
26	1	438 4361-06	Speed control	Contrôle vitesse	3	Complete
27	1	438 0668-01	•Cover plate	•Plaque recouvrement	3	
28	2	438 0651-01	•Mounting plate	•Plaque de montage	3	
29	4	734 1136-01	•Washer	•Rondelle	3	BRB 4,3X9
30	5	732 2112-01	•Locking nut	•Contre-écrou	3	M4
31	1	471 9675-01	•Switch	•Commutateur	1,2	
32	1	471 9659-01	•Switch	•Commutateur	1,2	
33	1	471 8990-01	•Printed circuit board	•Circuit imprimé	1	
34	4	471 7958-01	•Support	•Support	3	
35	6	471 9649-01	•Relay	•Relais	1,2	
	6	471 9649-51	•Clamp	•Bride de fixation	3	
36	1	471 7686-01	•Sign	•Signe	3	English
37	1	471 9528-02	•RC-protection	•Protection RC	1,2	



Issue	Month	Year
01	03	96

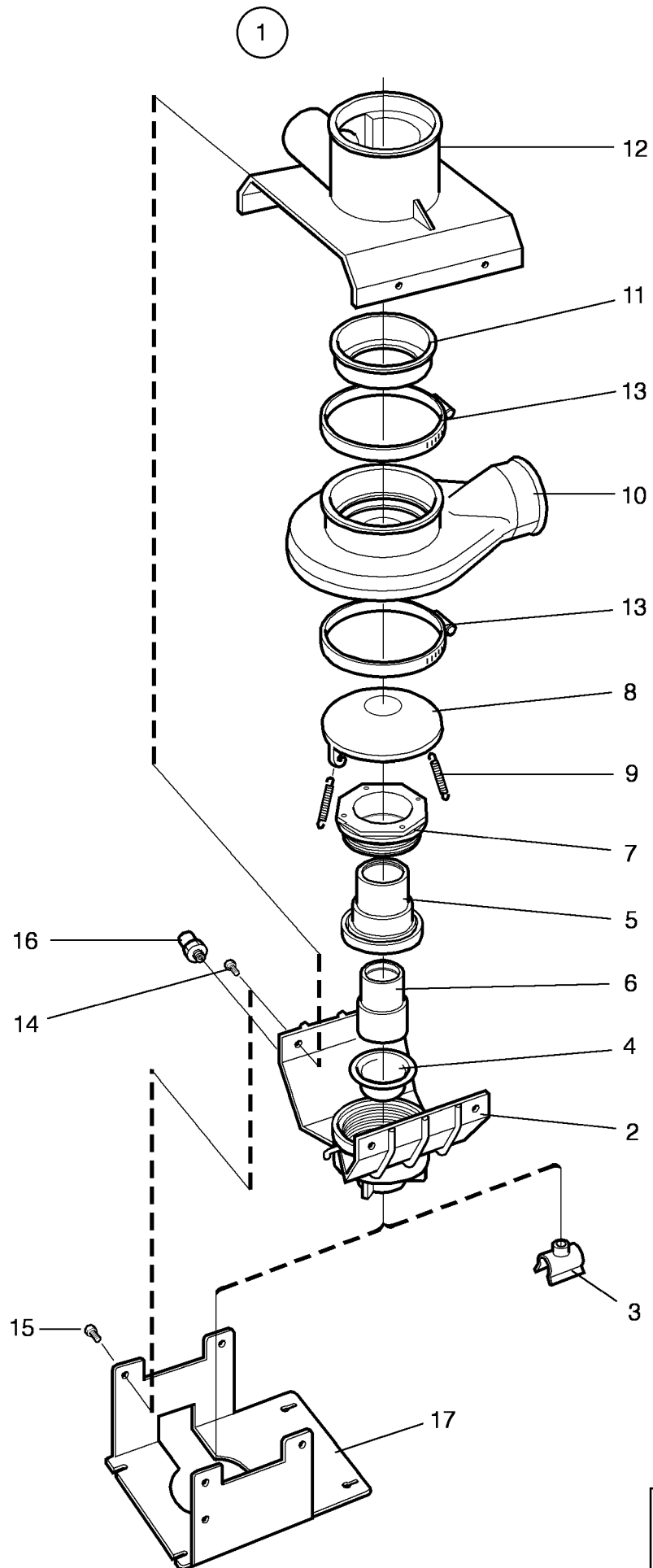
EXSM 350 Aqua Clean

Components

Illustration Issue Month Year
Schéma Issue Month Year
101402 7 4 1999

Composants

Item Article	Qua. Qua.	Art.No Réf. article	Description	Description	Info Info	Notes Remarques
1	1	438 0355-02	•Mounting plate	•Plaque de montage	3	
2	1	438 0358-02	Cover	Couvercle	3	
3	2	471 8756-01	Fuse holder	Porte-fusible	1	5X20 MM
4	2	471 8756-52	Insert	Insertion	1	6,3X32MM,60Hz
5	2	471 9027-85	Fuse	Porte-fusible	1,2	60Hz
6	1	438 4245-01	Bracket	Pupitre	3	
7						Not used
8						Not used
9	1	438 9636-03	Contactora	Relais	1,2	60Hz
10	1	471 9529-11	LC-filter	Filtre LC	1,2	
11	2	471 8778-01	Circuit breaker	Fusible	1,2	6A
12	1	471 9753-24	Printed circuit board	Circuit imprimé	1,2	
	1	471 9755-13	•Printed circuit board	•Circuit imprimé	1,2	
13	1	471 9773-01	•Fan	•Ventilateur	1	
14	1	762 8201-91	•Fuse	•Porte-fusible	1,2	
15	1	438 4363-53	•Prom	•Prom	1,2	
16	1	438 4243-01	Mounting plate	Plaque de montage	3	
17	1	471 8759-01	Block	Cale	3	
18	1	471 7865-03	Cable clip	Pièce fixation câbles	3	
19	1	471 9006-61	Cable clamp	Fixation câbles	3	
20	10	471 8760-01	Block	Cale	3	
21	2	471 8760-02	End support	Support	3	
22						Not used
23	1	438 4244-01	Cover	Couvercle	3	
24	1	762 1191-10	Grommet	Oeillet	3	
25	2	471 7967-01	Bushing	Douille	3	
26	1	438 4361-05	Speed control	Contrôle vitesse	3	Complete
27	1	438 0650-01	•Cover plate	•Plaque recouvrement	3	
28	2	438 0651-01	•Mounting plate	•Plaque de montage	3	
29	4	734 1136-01	•Washer	•Rondelle	3	BRB 4,3X9
30	5	732 2112-01	•Locking nut	•Contre-écrou	3	M4
31	1	471 9675-01	•Switch	•Commutateur	1,2	
32						Not used
33	1	471 8990-01	•Printed circuit board	•Circuit imprimé	1	
34	4	471 7958-01	•Support	•Support	3	
35	6	471 9649-01	•Relay	•Relais	1,2	
	6	471 9649-51	•Clamp	•Bride de fixation	3	
36	1	471 7686-03	•Sign	•Signe	3	English
37	1	471 9528-02	•RC-protection	•Protection RC	1,2	
38	1	471 5410-22	Cover	Couvercle	3	



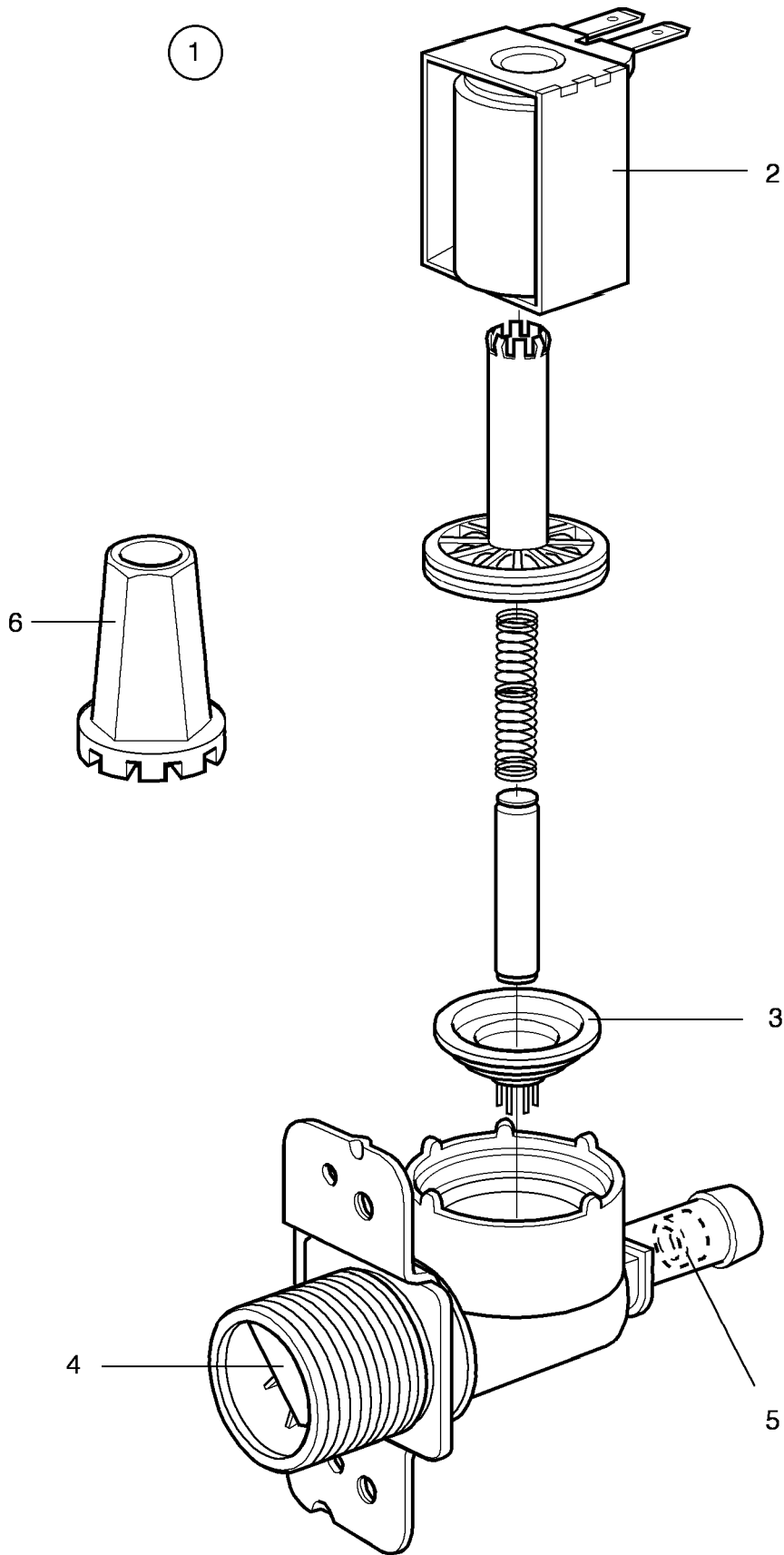
EXSM 350 Aqua Clean,EXSM 350 FC,EXSM 350 HI-TEK,EXSM 350 SELECTA 28

Drain valve

Illustration	Issue	Month	Year
Schéma	Issue	Month	Year
100771/3	7	10	2002

Purgeur

Item Article	Qua. Qua.	Art.No Réf. article	Description	Description	Info Info	Notes Remarques
1	1	438 0093-01	Drain valve	Purgeur	1,2	Complete
2	1	438 0051-01	•Lower frame	•Châssis inférieur	3	
3	1	438 0085-01	•Clip	•Colliers de serrage	3	
4	1	471 8195-01	•Diaphragm	•Diaphragme	1	
5	1	438 0053-01	•Housing	•Logement	3	
6	1	438 0054-01	•Piston	•Piston	3	
7	1	438 0055-01	•Gland	•Presse-étoupe	3	
8	1	438 0052-01	•Cover	•Couvercle	3	
9	2	471 7801-07	•Spring	•Ressort	3	
10	1	438 0028-01	•Hose housing	•Logement de flexible	1	
11	1	472 6012-00	•Rubber ring	•Rondelle caoutchouc	3	
12	1	472 6011-00	•Hose connection	•Connexion flexible	3	
13	1	471 7851-02	•Hose clamp	•Attache flexible	3	
14	4	471 8317-05	•Screw	•Vis	3	
15	1	471 8688-13	•Nipple	•Raccord	3	1/8"



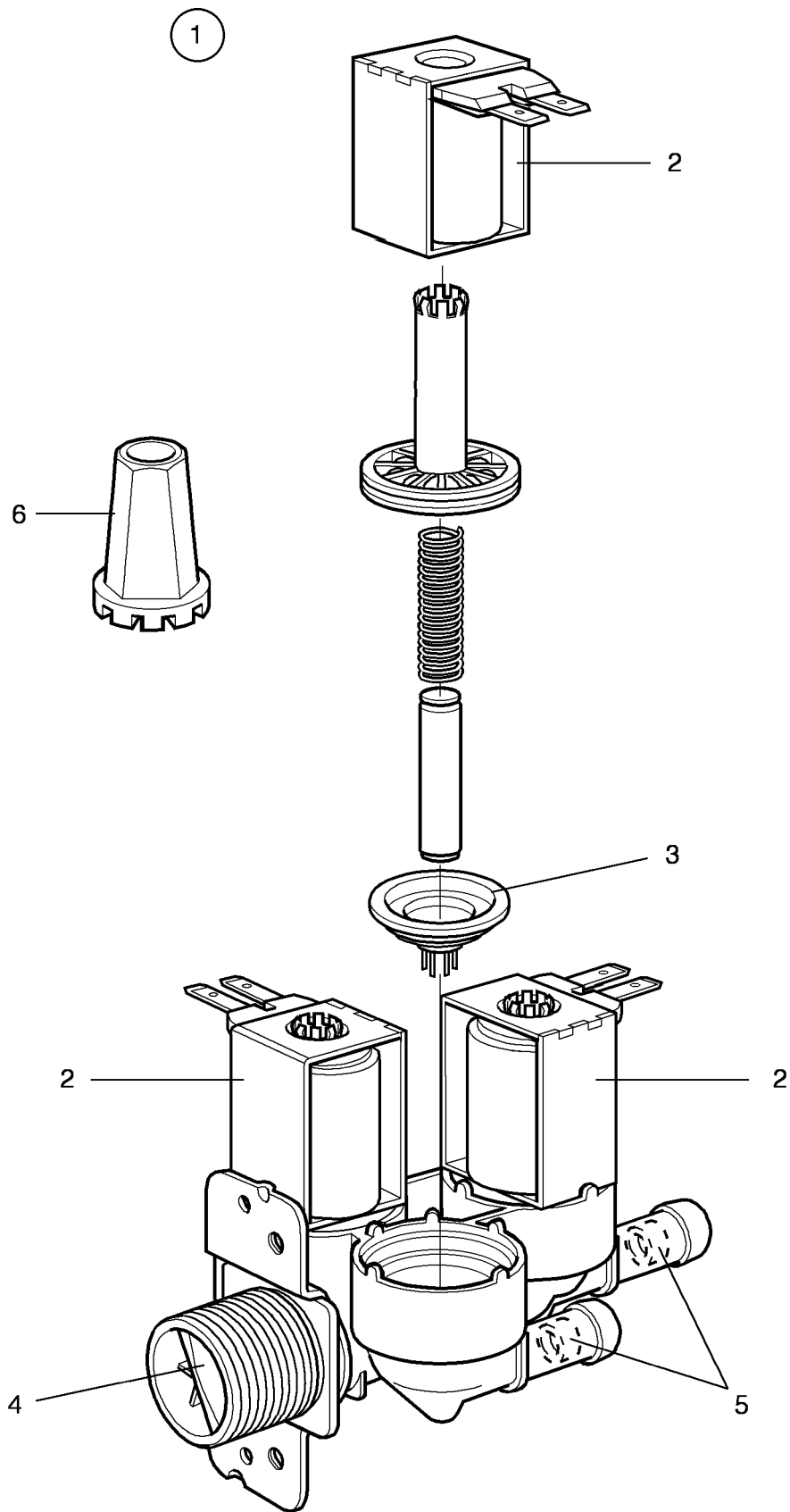
EXSM 350 Aqua Clean, EXSM 350 SELECTA 28

Inlet valve 3/4", single

Soupape de admission 3/4", simple

Illustration Issue Month Year
Schéma Issue Month Year
100044 3 8 1991

Item Article	Qua. Qua.	Art.No Réf. article	Description	Description	Info Info	Notes Remarques
1	1	471 8234-01	Valve	Soupape	1,2	208-240V 50Hz 1-way NITRIL COMPL. Restriction 5,5l/min
	1	471 8234-04	Valve	Soupape	1,2	208-240V 60Hz 1-way NITRIL COMPL. Restriction 5,5l/min
	1	471 8234-02	Valve	Soupape	1,2	50Hz 1-way NITRIL COMPL. RESTRICTION 20L/MIN
	1	471 8234-05	Valve	Soupape	1,2	60Hz 1-way NITRIL COMPL. RESTRICTION 20L/MIN
	1	471 8234-08	Valve	Soupape	1,2	EDPM 208-240V 60Hz Complete RESTRICTION 2,5L/MIN
	1	471 8234-09	Valve	Soupape	1,2	EPDM 208-240V 60Hz 1-way RESTRICTION 2,5L/MIN
2	1	471 6696-37	•Coil	•Bobine	1,2	208-240V 50Hz
	1	471 6696-33	•Coil	•Bobine	1,2	208-240V 60Hz
3	1	471 8234-98	•Diaphragm	•Diaphragme	1,2	NITRIL
	1	471 8234-92	•Diaphragm	•Diaphragme	1,2	EPDM
4	1	471 8234-94	•Filter	•Filtre	1	
5	1	471 8234-95	•Restrictor	•Réducteur de débit	1	2,5l/min
	1	471 8234-96	•Restrictor	•Réducteur de débit	1	5,5l/min
6	1	471 4792-01	Tool	Outil	1	



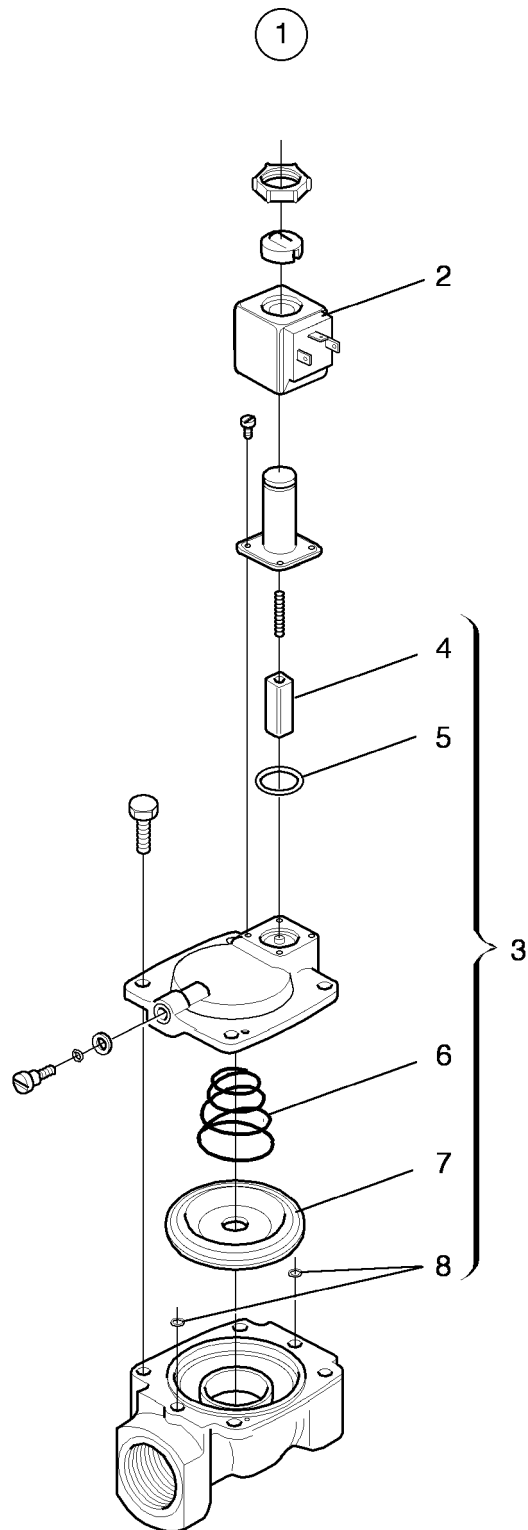
EXSM 350 HI-TEK

Inlet valve 3/4", 3-way

Soupage de admission 3/4", 3 voies

Illustration Issue Month Year
Schéma Issue Month Year
100046/3 3 8 1991

Item Article	Qua. Qua.	Art.No Réf. article	Description	Description	Info Info	Notes Remarques
1	1	471 8236-01	Valve	Soupage	1,2	208-240V 50Hz 3-way NITRIL COMPL. RESTRICTION 20/20/20L/MIN
	1	471 8236-07	Valve	Soupage	1,2	60Hz 3-way NITRIL COMPL. RESTRICTION 20/20/20L/MIN
	1	471 8236-02	Valve	Soupage	1,2	208-240V 50Hz 3-way NITRIL COMPL. RESTRICTION 5,5/20/20L/MIN
	1	471 8236-08	Valve	Soupage	1,2	60Hz 3-way NITRIL COMPL. RESTRICTION 5,5/20/20L/MIN
	1	471 8236-09	Valve	Soupage	1,2	EPDM 208-240V 50Hz 3-way Complete RESTRICTION 5,5/20/20L/MIN
	1	471 8236-03	Valve	Soupage	1,2	EPDM 208-240V 60Hz 3-way USA COMPL. RESTRICTION 5,5/20/20L/MIN
	1	471 8236-04	Valve	Soupage	1,2	120V 60Hz 3-way USA COMPL. RESTRICTION 5,5/20/20L/MIN
	1	471 8236-05	Valve	Soupage	1,2	EPDM 208-240V 60Hz 3-way USA COMPL. RESTRICTION 20/20/20L/MIN
	1	471 8236-06	Valve	Soupage	1,2	EPDM 120V 60Hz USA COMPL. RESTRICTION 20/20/20L/MIN
	1	471 8236-12	Valve	Soupage	1,2	208-240V 50Hz 3-way NITRIL COMPL. RESTRICTION 5,5/20/2,5L/MIN
	1	471 8236-13	Valve	Soupage	1,2	EDPM 208-240V 60Hz 3-way Complete RESTRICTION 5,5/20/2,5L/MIN
	1	471 8236-14	Valve	Soupage	1,2	208-240V 50Hz Complete Restriction 5/5-/l/min
	1	471 8236-15	Valve	Soupage	1,2	208-240V 60Hz
	2	3	471 6696-37	•Coil	•Bobine	1,2
3		471 6696-33	•Coil	•Bobine	1,2	208-240V 60Hz
3		471 6696-71	•Coil	•Bobine	1,2	120V 50Hz
3	3	471 6696-32	•Coil	•Bobine	1,2	120V 60Hz
	3	471 8234-98	•Diaphragm	•Diaphragme	1,2	NITRIL
4	3	471 8234-92	•Diaphragm	•Diaphragme	1,2	EPDM
	1	471 8234-94	•Filter	•Filtre	1	
5	1	471 8234-95	•Restrictor	•Réducteur de débit	1	2,5l/min
	1	471 8234-96	•Restrictor	•Réducteur de débit	1	5,5l/min
	1	471 8234-97	•Restrictor	•Réducteur de débit	1	10l/min
6	1	471 4792-01	Tool	Outil	1	



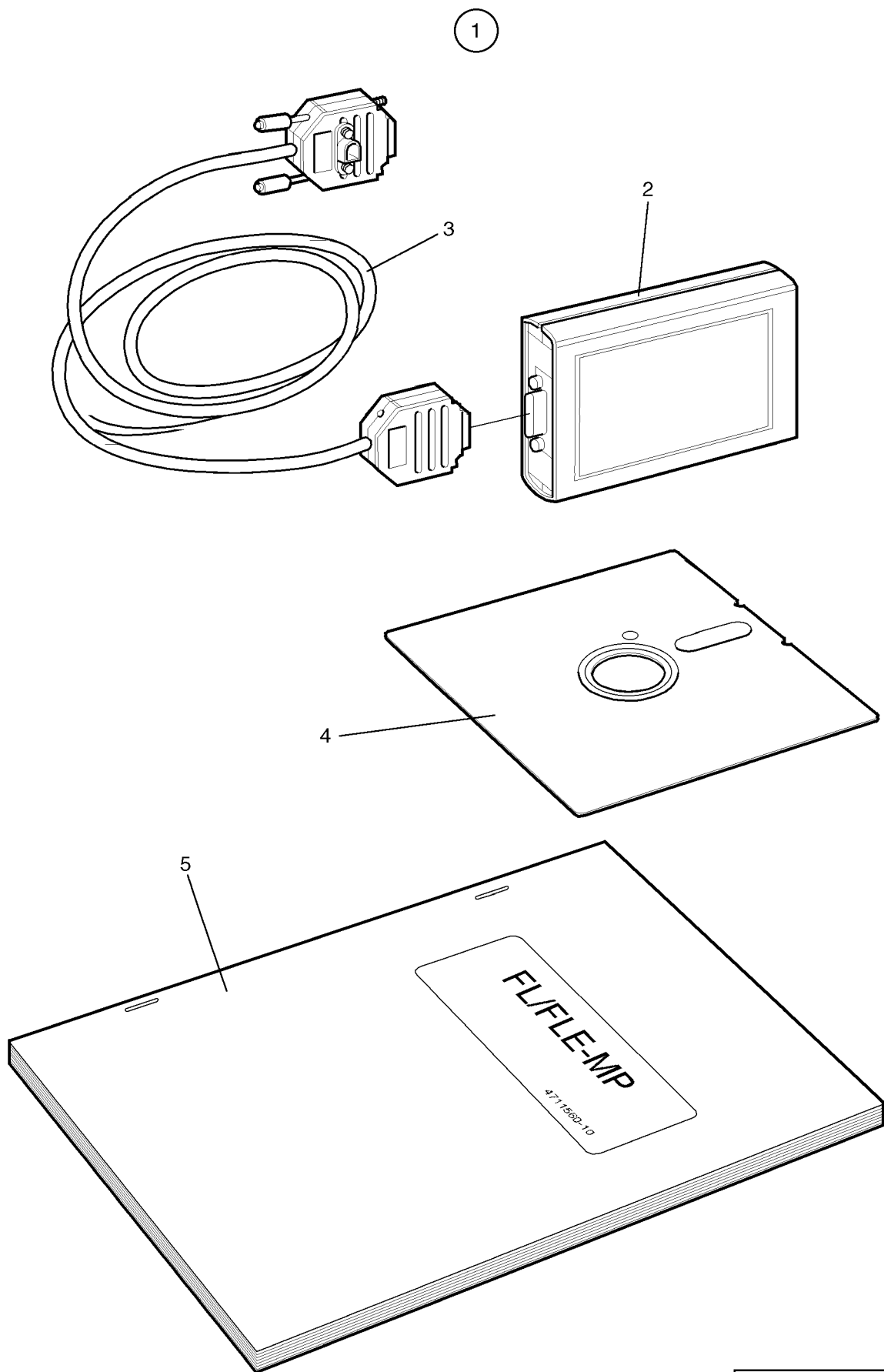
EXSM 350 Aqua Clean,EXSM 350 HI-TEK,EXSM 350 SELECTA 28

Inlet valve 1/2", 3/4", 1", 1 1/4", 2"

Soupape de admission 1/2", 3/4", 1", 1 1/4", 2"

Illustration	Issue	Month	Year
Schéma	Issue	Month	Year
100568	1	3	1990

Item Article	Qua. Qua.	Art.No Réf. article	Description	Description	Info Info	Notes Remarques	
1	1	471 8210-02	Valve	Soupape	1,2	1/2" 220-240V 50Hz Complete	
	1	471 8210-63	Valve	Soupape	1,2	60Hz Complete	
	1	471 8210-03	Valve	Soupape	1,2	1/2" 115V 60Hz Complete	
	1	471 8210-12	Valve	Soupape	1,2	3/4" 220-240V 50Hz COMPL.AO	
	1	471 8210-11	Valve	Soupape	1,2	3/4" 208-230V 60Hz Complete	
	1		Valve	Soupape	1,2	3/4" 115V 60Hz Complete	
	1	471 8210-22	Valve	Soupape	1,2	1" 220-240V 50Hz Complete	
	1	471 8210-23	Valve	Soupape	1,2	1" 220V 50/60Hz Complete	
	1	471 8210-21	Valve	Soupape	1,2	1" 208-230V 60Hz Complete	
	1		Valve	Soupape	1,2	3/4" 115V 60Hz Complete	
	1	471 8210-32	Valve	Soupape	1,2	1 1/4" 50Hz Complete	
	1	471 8210-31	Valve	Soupape	1,2	1 1/4" 60Hz Complete	
	1		Valve	Soupape	1,2	3/4" 115V 60Hz Complete	
	1	471 8210-52	Valve	Soupape	1,2	2", 50Hz Complete	
	1	471 8210-51	Valve	Soupape	1,2	2", 60Hz Complete	
	2	1	471 6657-15	•Coil	•Bobine	1,2	50Hz 220-240V 50Hz
		1	471 6657-16	•Coil	•Bobine	1,2	60Hz
1		471 6657-17	•Coil	•Bobine	1,2	115V 60Hz	
3	1	471 6657-18	•Repair kit	•Kit reconditionnement	1,2	1/2"	
	1	471 6657-19	•Repair kit	•Kit reconditionnement	1,2	3/4"	
	1	471 6657-20	•Repair kit	•Kit reconditionnement	1,2	1"	
	1	471 6657-21	•Repair kit	•Kit reconditionnement	1,2	1 1/4" 1 1/4"	
	1	471 6695-95	•Repair kit	•Kit reconditionnement	1,2	2"	
4		•Plunger	•Bobine mobile				
5		•O-ring	•Joint torique				
6		•Spring	•Ressort				
7		•Diaphragm	•Diaphragme				
8		•O-ring	•Joint torique				



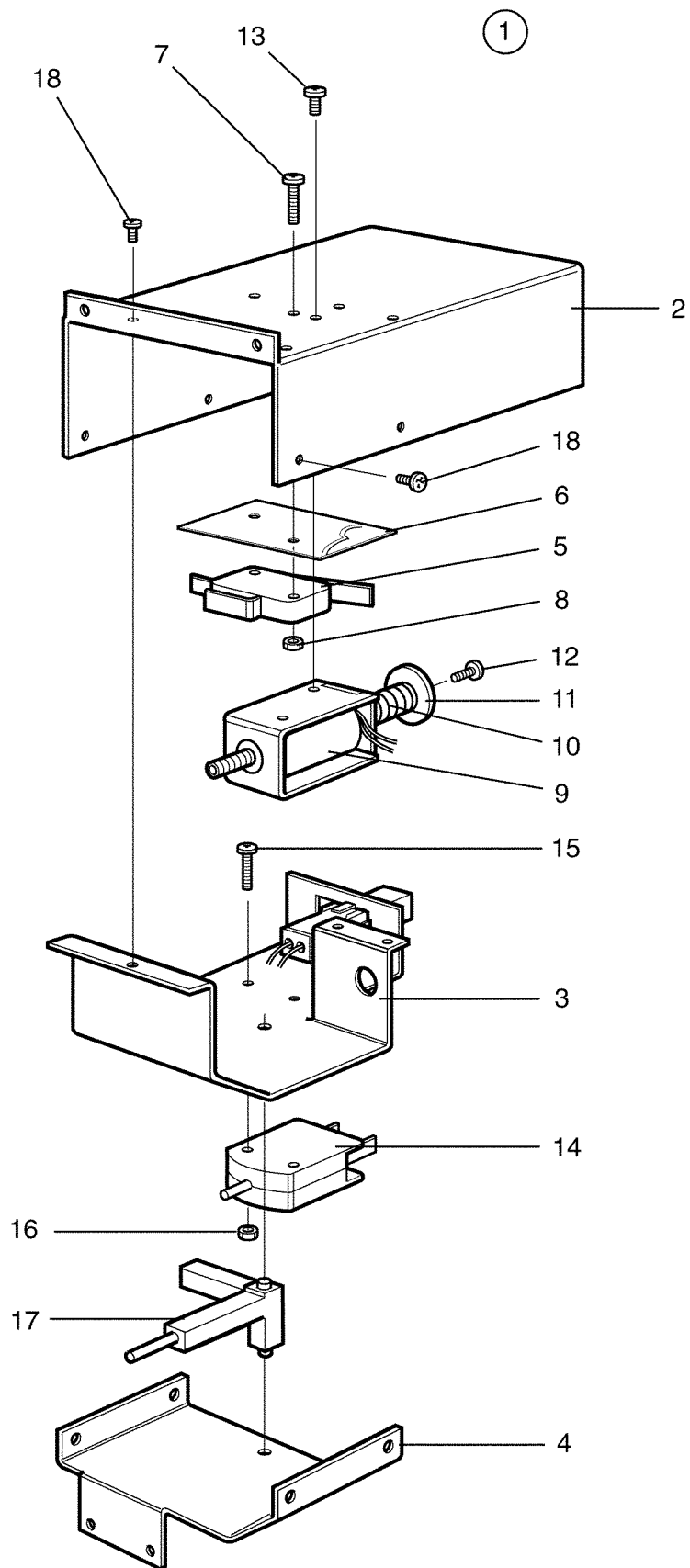
EXSM 350 Aqua Clean,EXSM 350 FC

Memory cartridge complete

Cassette de mémoire complet

Illustration Issue Month Year
Schéma Issue Month Year
100826 4 1 1992

Item Article	Qua. Qua.	Art.No Réf. article	Description	Description	Info Info	Notes Remarques
1	1	472 9900-27	Memory cartridge	Cassette de mémoire	3	Swedish
	1	472 9900-28	Memory cartridge	Cassette de mémoire	3	English
	1	472 9900-29	Memory cartridge	Cassette de mémoire	3	German
	1	472 9900-30	Memory cartridge	Cassette de mémoire	3	French
	1	472 9900-31	Memory cartridge	Cassette de mémoire	3	Norwegian
	1	472 9900-52	Memory cartridge	Cassette de mémoire	3	Danish
	1	472 9900-53	Memory cartridge	Cassette de mémoire	3	Spanish
	1	472 9900-54	Memory cartridge	Cassette de mémoire	3	Finnish
	1	472 9900-76	Memory cartridge	Cassette de mémoire	3	Dutch
	2	1	471 8980-01	•Cassette	•Cassette	3
3	1	471 7468-01	•Cable	•Câble	3	
4	1	471 9533-02	•Diskette	•Disquette	3	
5	1	471 1560-10	•Instruction manual	•Manuel d'utilisation	3	Swedish
	1	471 1560-11	•Instruction manual	•Manuel d'utilisation	3	English
	1	471 1560-12	•Instruction manual	•Manuel d'utilisation	3	German
	1	471 1560-13	•Instruction manual	•Manuel d'utilisation	3	French
	1	471 1560-14	•Instruction manual	•Manuel d'utilisation	3	Spanish
	1	471 1560-15	•Instruction manual	•Manuel d'utilisation	3	Danish
	1	471 1560-16	•Instruction manual	•Manuel d'utilisation	3	Finnish
	1	471 1560-17	•Instruction manual	•Manuel d'utilisation	3	Norwegian
1	471 1560-18	•Instruction manual	•Manuel d'utilisation	3	Dutch	



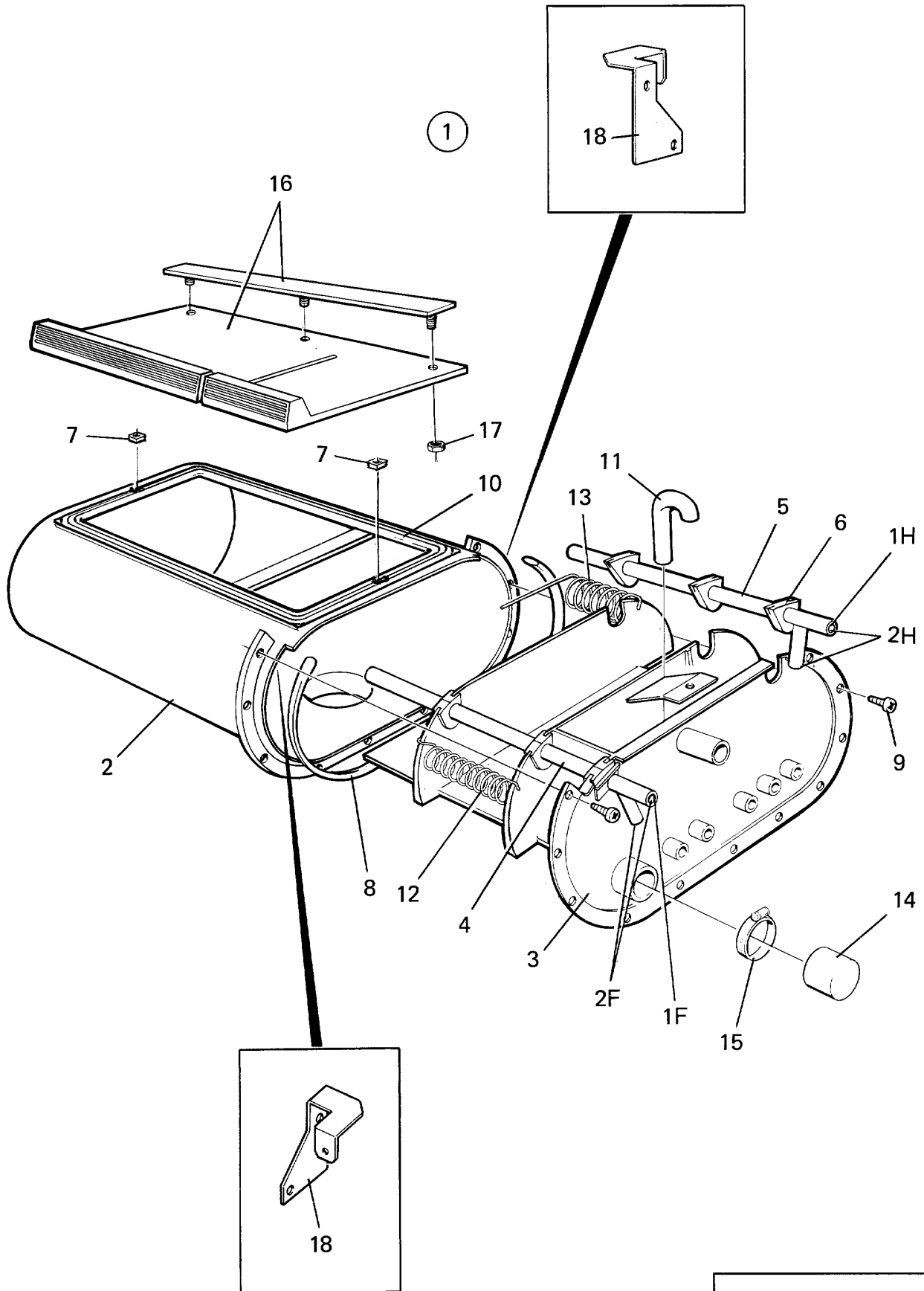
EXSM 350 Aqua Clean,EXSM 350 FC,EXSM 350 HI-TEK,EXSM 350 SELECTA 28

Door lock

Serrure de porte

Illustration Issue Month Year
Schéma Issue Month Year
100906 4 8 2001

Item Article	Qua. Qua.	Art.No Réf. article	Description	Description	Info Info	Notes Remarques
1	1	438 4152-01	Locking unit	Unité verrouillage	1	
2	1	438 4144-01	•Plate	•Plaque	3	Upper
3	1	438 4145-01	•Plate	•Plaque	3	Middle
4	1	438 4146-01	•Plate	•Plaque	3	Lower
5	1	471 9603-07	•	•	1,2	
6	1	471 4564-01	•Insulator	•Isolation	3	
7	2	471 8341-05	•Screw	•Vis	3	MRT 3X16
8	2	732 2110-01	•Locking nut	•Contre-écrou	3	M3
9	1	471 9555-02	•Coil	•Bobine	1,2	
10	1	471 7803-08	•Pressure spring	•Ressort de pression	3	
11	1	471 8502-16	•Washer	•Rondelle	3	
12	1	471 8341-03	•Screw	•Vis	3	M3X10
13	2	724 1218-01	•Screw	•Vis	3	MRX 3X4
14	1	471 9654-03	•Microswitch	•Microrupteur	1,2	
15	2	471 8341-17	•Screw	•Vis	3	M4X25
16	2	732 2112-01	•Locking nut	•Contre-écrou	3	M4
17	1	438 4149-01	•Rocker arm	•Levier basculant	3	
18	7	471 8342-11	•Screw	•Vis	3	MRT-TT 4X6



EXSM 350 Aqua Clean,EXSM 350 FC,EXSM 350 HI-TEK,EXSM 350 SELECTA 28

Detergent container

Illustration Issue Month Year
Schéma Issue Month Year
101367 9 4 1995

Compartiment à savon

Item Article	Qua. Qua.	Art.No Réf. article	Description	Description	Info Info	Notes Remarques
1	1	472 6001-54	Detergent container	Compartiment à savon	1,2	WITH SCREW IN TOP PANEL 1F-1H
2	1	472 6002-05	•Shell	•Pression coque	1	
3	1	472 6003-04	•Box	•Boîtier	1	
4	1	472 6005-10	•Spray head	•Vaporisateur	1	1F 1F
5	1	472 6005-01	•Spray head	•Vaporisateur	1	1H 1H
6	6	472 6004-01	•Grommet	•Oeillet	1	
7	2	471 8401-01	•Nut	•Écrou	3	M4
8	1	471 8163-01	•Gasket	•Joint	1,2	
9	11	471 8346-01	•Screw	•Vis	3	
10	1	438 0460-02	•Gasket	•Joint	3	
11	1	472 6006-01	•Siphon	•Siphon	1,2	
12	1	471 7809-02	•Spring	•Ressort	1	
13	1	471 7808-02	•Spring	•Ressort	1	
14	1	471 8644-03	Hood	Capot	3	
15	1	736 2828-51	Hose clamp	Attache flexible	3	
16	1	472 9902-59	Cover	Couvercle	1,2	
17	3	731 2314-42	•Nut	•Écrou	3	M4
18	2	438 4139-01	Bracket	Support de montage	3	W/FL 184-244

Numerical index/Numerical index

Art.No/Réf. article	Page/Page	Art.No/Réf. article	Page/Page	Art.No/Réf. article	Page/Page	Art.No/Réf. article	Page/Page
432 0113-01	13	438 0662-01	7	438 4243-01	21	471 2453-46	33
432 0113-02	13	438 0664-01	17	438 4243-01	55	471 2456-71	33
438 0016-07	7	438 0664-10	17	438 4243-01	57	471 2904-01	33
438 0028-01	59	438 0665-01	13	438 4244-01	21	471 2937-02	41
438 0033-01	13	438 0665-04	13	438 4244-01	55	471 3878-05	23
438 0051-01	59	438 0666-02	13	438 4244-01	57	471 4403-02	17
438 0052-01	59	438 0668-01	55	438 4245-01	57	471 4516-03	21
438 0053-01	59	438 0670-21	17	438 4247-02	7	471 4527-78	25
438 0054-01	59	438 0672-01	17	438 4247-03	7	471 4564-01	69
438 0055-01	59	438 0673-01	21	438 4265-01	21	471 4564-02	7
438 0056-03	35	438 0673-50	21	438 4361-05	57	471 4564-03	7
438 0056-03	37	438 0675-01	23	438 4361-06	55	471 4586-01	29
438 0056-03	41	438 0676-01	21	438 4363-51	55	471 4586-01	31
438 0078-01	9	438 0679-01	35	438 4363-53	57	471 4595-03	27
438 0083-01	7	438 0679-01	37	438 4520-03	17	471 4657-18	27
438 0084-01	7	438 0679-01	39	438 4521-10	17	471 4657-19	27
438 0085-01	59	438 0679-02	41	438 4551-01	23	471 4657-20	27
438 0093-01	7	438 0680-01	43	438 4832-01	13	471 4657-70	27
438 0093-01	33	438 0680-01	45	438 7668-02	13	471 4672-08	15
438 0093-01	59	438 0681-01	23	438 7668-09	13	471 4705-02	25
438 0127-01	21	438 0682-01	47	438 9514-01	47	471 4714-04	29
438 0145-13	21	438 0682-01	49	438 9514-01	49	471 4714-04	31
438 0253-40	35	438 0684-01	47	438 9514-01	51	471 4714-05	29
438 0253-40	37	438 0685-01	49	438 9514-01	53	471 4714-05	31
438 0253-40	39	438 0686-01	51	438 9514-02	47	471 4785-01	29
438 0253-42	41	438 0686-11	53	438 9514-02	49	471 4785-01	31
438 0355-02	21	438 0688-01	33	438 9514-02	51	471 4792-01	35
438 0355-02	55	438 0689-01	7	438 9514-02	53	471 4792-01	37
438 0355-02	57	438 0690-01	33	438 9636-03	47	471 4792-01	39
438 0358-02	21	438 0691-01	7	438 9636-03	49	471 4792-01	41
438 0358-02	55	438 0692-01	21	438 9636-03	51	471 4792-01	61
438 0358-02	57	438 0693-01	23	438 9636-03	53	471 4792-01	63
438 0363-01	17	438 0694-01	43	438 9636-03	55	471 4878-09	7
438 0422-01	13	438 0694-01	45	438 9636-03	57	471 4878-84	29
438 0456-01	17	438 0695-01	43	471 1560-10	67	471 4878-84	31
438 0457-01	17	438 0695-01	45	471 1560-11	67	471 5410-22	57
438 0458-01	17	438 0699-01	29	471 1560-12	67	471 5511-01	13
438 0459-01	17	438 0699-01	31	471 1560-13	67	471 5516-02	13
438 0460-01	9	438 2820-01	9	471 1560-14	67	471 5523-00	13
438 0460-02	71	438 2820-02	9	471 1560-15	67	471 5525-01	13
438 0483-01	9	438 2820-03	9	471 1560-16	67	471 5631-00	13
438 0621-01	7	438 2820-04	9	471 1560-17	67	471 6536-78	47
438 0628-01	7	438 2820-05	9	471 1560-18	67	471 6654-10	25
438 0630-01	7	438 4009-01	27	471 2059-18	23	471 6657-15	65
438 0631-01	23	438 4009-02	27	471 2095-32	17	471 6657-16	65
438 0636-01	23	438 4100-01	17	471 2098-71	9	471 6657-17	65
438 0637-01	23	438 4101-01	17	471 2265-69	17	471 6657-18	65
438 0639-01	9	438 4118-01	19	471 2401-49	23	471 6657-19	65
438 0640-01	9	438 4125-01	15	471 2401-52	17	471 6657-20	65
438 0641-01	9	438 4126-02	13	471 2416-83	17	471 6657-21	65
438 0642-01	9	438 4127-02	13	471 2422-20	47	471 6695-95	65
438 0643-01	29	438 4128-01	13	471 2432-25	19	471 6696-32	63
438 0643-75	31	438 4132-02	13	471 2438-32	17	471 6696-33	61
438 0644-01	9	438 4139-01	71	471 2439-90	23	471 6696-33	63
438 0644-02	9	438 4144-01	69	471 2440-10	17	471 6696-37	61
438 0645-01	9	438 4145-01	69	471 2440-10	43	471 6696-37	63
438 0646-01	25	438 4146-01	69	471 2440-10	45	471 6696-71	63
438 0647-01	25	438 4147-02	11	471 2440-12	17	471 7111-41	33
438 0648-01	27	438 4148-02	11	471 2440-26	23	471 7468-01	67
438 0649-01	9	438 4149-01	69	471 2440-36	17	471 7473-21	51
438 0649-02	9	438 4150-01	11	471 2440-37	17	471 7473-21	53
438 0650-01	57	438 4152-01	11	471 2441-44	17	471 7673-01	25
438 0651-01	55	438 4152-01	69	471 2442-53	19	471 7674-01	13
438 0651-01	57	438 4157-01	7	471 2442-53	43	471 7686-01	55
438 0654-01	17	438 4178-01	9	471 2442-53	45	471 7686-03	57
438 0658-01	7	438 4240-01	55	471 2449-72	19	471 7701-63	23

Numerical index/Numerical index

Art.No/Réf. article	Page/Page	Art.No/Réf. article	Page/Page	Art.No/Réf. article	Page/Page	Art.No/Réf. article	Page/Page
471 7701-64	23	471 8210-32	65	471 8341-85	13	471 8778-01	55
471 7703-02	23	471 8210-51	65	471 8342-11	11	471 8778-01	57
471 7753-01	31	471 8210-52	65	471 8342-11	69	471 8804-02	25
471 7801-07	59	471 8210-62	35	471 8344-35	9	471 8804-51	25
471 7803-08	69	471 8210-62	37	471 8344-35	43	471 8804-71	25
471 7803-21	11	471 8210-62	39	471 8344-35	45	471 8810-02	25
471 7808-02	71	471 8210-62	41	471 8346-01	71	471 8860-10	47
471 7809-02	71	471 8210-63	65	471 8401-01	71	471 8860-10	49
471 7814-02	13	471 8232-14	45	471 8452-01	9	471 8860-11	47
471 7851-02	59	471 8234-01	61	471 8502-14	23	471 8955-01	25
471 7851-03	33	471 8234-02	61	471 8502-16	69	471 8961-01	25
471 7864-01	7	471 8234-04	41	471 8502-27	45	471 8964-07	27
471 7864-01	9	471 8234-04	61	471 8551-03	17	471 8977-15	29
471 7864-01	13	471 8234-05	35	471 8608-00	43	471 8977-20	31
471 7864-01	43	471 8234-05	61	471 8608-00	45	471 8977-25	29
471 7864-01	45	471 8234-08	61	471 8614-02	35	471 8980-01	67
471 7865-03	21	471 8234-09	39	471 8614-02	37	471 8983-31	47
471 7865-03	55	471 8234-09	61	471 8614-02	39	471 8983-31	49
471 7865-03	57	471 8234-92	61	471 8614-02	41	471 8983-31	51
471 7867-01	7	471 8234-92	63	471 8622-05	35	471 8983-31	53
471 7873-01	21	471 8234-94	61	471 8622-05	37	471 8985-01	17
471 7909-10	9	471 8234-94	63	471 8622-05	39	471 8990-01	55
471 7958-01	47	471 8234-95	61	471 8622-05	41	471 8990-01	57
471 7958-01	49	471 8234-95	63	471 8622-06	35	471 9006-61	21
471 7958-01	51	471 8234-96	61	471 8622-06	37	471 9006-61	55
471 7958-01	53	471 8234-96	63	471 8622-06	39	471 9006-61	57
471 7958-01	55	471 8234-97	63	471 8622-06	41	471 9027-85	21
471 7958-01	57	471 8234-98	61	471 8623-01	41	471 9027-85	55
471 7963-01	29	471 8234-98	63	471 8628-51	17	471 9027-85	57
471 7963-01	31	471 8235-04	41	471 8636-04	15	471 9030-35	43
471 7967-01	9	471 8236-01	63	471 8644-02	23	471 9030-35	45
471 7967-01	55	471 8236-02	63	471 8644-03	71	471 9035-20	47
471 7967-01	57	471 8236-03	35	471 8682-02	21	471 9035-20	49
471 8118-06	33	471 8236-03	37	471 8682-03	21	471 9035-20	51
471 8126-03	43	471 8236-03	63	471 8682-05	21	471 9035-20	53
471 8126-03	45	471 8236-04	63	471 8683-01	45	471 9037-93	39
471 8139-01	33	471 8236-05	63	471 8688-13	33	471 9056-92	47
471 8139-11	33	471 8236-06	63	471 8688-13	59	471 9202-33	33
471 8143-01	13	471 8236-07	63	471 8688-14	15	471 9208-14	21
471 8143-01	15	471 8236-08	63	471 8690-01	13	471 9219-16	25
471 8144-01	21	471 8236-09	63	471 8690-21	13	471 9219-38	43
471 8159-07	13	471 8236-12	63	471 8690-21	15	471 9219-38	45
471 8162-02	9	471 8236-13	63	471 8690-22	33	471 9222-59	17
471 8163-01	71	471 8236-14	63	471 8690-28	15	471 9223-72	25
471 8175-01	35	471 8236-15	63	471 8690-32	33	471 9226-97	47
471 8175-01	37	471 8243-05	33	471 8733-10	29	471 9226-97	49
471 8175-01	39	471 8279-04	39	471 8733-10	31	471 9509-03	29
471 8175-01	41	471 8279-04	43	471 8750-11	21	471 9509-03	31
471 8180-10	51	471 8279-09	39	471 8756-01	21	471 9509-06	29
471 8180-10	53	471 8279-09	43	471 8756-01	55	471 9509-06	31
471 8180-11	7	471 8317-05	59	471 8756-01	57	471 9523-01	55
471 8180-12	47	471 8320-05	17	471 8756-51	21	471 9528-02	51
471 8180-13	49	471 8340-12	49	471 8756-52	21	471 9528-02	53
471 8180-13	51	471 8340-13	21	471 8756-52	55	471 9528-02	55
471 8180-13	53	471 8340-23	9	471 8756-52	57	471 9528-02	57
471 8180-14	47	471 8340-23	23	471 8759-01	21	471 9529-10	51
471 8192-01	19	471 8341-03	69	471 8759-01	55	471 9529-10	53
471 8195-01	59	471 8341-05	7	471 8759-01	57	471 9529-11	57
471 8210-02	65	471 8341-05	69	471 8760-01	21	471 9533-02	67
471 8210-03	65	471 8341-11	25	471 8760-01	55	471 9550-15	51
471 8210-11	65	471 8341-11	33	471 8760-01	57	471 9550-15	53
471 8210-12	65	471 8341-17	69	471 8760-02	21	471 9555-02	69
471 8210-21	65	471 8341-22	25	471 8760-02	55	471 9558-03	49
471 8210-22	65	471 8341-46	7	471 8760-02	57	471 9560-01	17
471 8210-23	65	471 8341-46	17	471 8762-02	21	471 9603-07	7
471 8210-31	65	471 8341-51	13	471 8778-01	21	471 9603-07	69

Numerical index/Numerical index

Art.No/Réf. article	Page/Page	Art.No/Réf. article	Page/Page	Art.No/Réf. article	Page/Page	Art.No/Réf. article	Page/Page
471 9610-02	47	472 9900-54	67	736 2825-51	35		
471 9610-04	47	472 9900-76	67	736 2825-51	37		
471 9610-05	47	472 9902-46	17	736 2825-51	39		
471 9610-06	47	472 9902-59	71	736 2825-51	41		
471 9628-17	31	472 9902-72	51	736 2828-51	71		
471 9628-19	31	472 9902-72	53	736 2831-51	19		
471 9628-20	31	472 9902-74	47	736 2837-51	33		
471 9628-94	31	472 9902-74	49	736 2840-51	17		
471 9649-01	47	472 9902-90	17	736 2840-51	33		
471 9649-01	49	472 9902-91	17	736 2842-01	19		
471 9649-01	51	472 9903-43	13	736 2846-51	7		
471 9649-01	53	472 9911-04	17	736 2846-51	21		
471 9649-01	55	472 9911-05	17	736 2849-51	21		
471 9649-01	57	472 9911-06	17	736 2849-51	33		
471 9649-51	55	472 9911-07	17	740 4209-00	15		
471 9649-51	57	472 9913-22	19	740 4811-03	15		
471 9651-50	47	724 1218-01	69	741 4102-20	33		
471 9653-03	51	725 2289-61	9	741 4114-20	41		
471 9653-03	53	725 2289-61	27	741 5115-24	37		
471 9654-03	69	725 2289-61	29	741 5115-24	39		
471 9659-01	55	725 2289-61	31	742 1115-20	43		
471 9675-01	55	725 2366-61	7	742 1115-20	45		
471 9675-01	57	725 2366-61	17	742 5115-20	35		
471 9703-12	23	725 2370-61	11	742 5115-20	37		
471 9707-01	23	725 2370-61	17	742 5115-20	39		
471 9743-01	23	725 2453-51	23	742 5115-20	41		
471 9753-24	57	725 2463-71	23	744 3115-06	43		
471 9753-43	55	725 2491-51	23	744 3115-06	45		
471 9755-13	55	725 2536-51	7	762 1116-10	15		
471 9755-13	57	725 2540-51	17	762 1191-10	55		
471 9773-01	55	725 2632-51	7	762 1191-10	57		
471 9773-01	57	725 2634-51	23	762 3211-01	47		
471 9883-01	13	728 8362-01	23	762 3211-01	49		
471 9883-02	15	731 2314-42	71	762 3211-01	51		
471 9884-01	15	731 2316-42	13	762 3211-01	53		
472 5752-04	27	731 2318-01	23	762 3231-01	47		
472 5756-01	29	732 2110-01	7	762 3231-01	49		
472 5756-01	31	732 2110-01	69	762 3231-01	51		
472 5756-08	29	732 2112-01	55	762 3231-01	53		
472 5756-08	31	732 2112-01	57	762 3251-01	53		
472 6001-54	71	732 2112-01	69	762 8201-91	55		
472 6002-05	71	732 2118-01	17	762 8201-91	57		
472 6003-04	71	732 2118-01	23	762 9105-05	35		
472 6004-01	71	732 2122-01	7	762 9105-05	37		
472 6005-01	71	732 2124-01	7	762 9105-05	39		
472 6005-10	71	732 2124-01	23	762 9105-05	41		
472 6006-01	71	732 3116-14	13	767 5101-92	47		
472 6011-00	59	734 1136-01	55	767 5101-92	49		
472 6012-00	59	734 1136-01	57	767 5102-92	47		
472 6061-04	49	734 1153-09	13	767 5102-92	49		
472 6061-04	51	734 1164-01	17	767 5102-92	51		
472 6061-04	53	734 1171-09	13	767 5102-92	53		
472 6061-07	47	734 1173-01	23	767 5103-18	47		
472 6079-00	25	734 1178-01	7	767 5103-18	49		
472 6149-06	17	734 1178-01	17	877 5211-08	35		
472 6529-10	17	734 1186-01	7	877 5211-08	37		
472 6761-01	39	734 1186-01	23	877 5211-08	39		
472 8969-03	27	735 2146-01	25	877 5211-08	41		
472 9187-01	11	735 3126-01	13	877 5252-01	35		
472 9900-27	67	735 3173-10	17	877 5252-01	37		
472 9900-28	67	736 2816-51	35	877 5252-01	39		
472 9900-29	67	736 2816-51	37	877 5252-01	41		
472 9900-30	67	736 2816-51	39				
472 9900-31	67	736 2816-51	41				
472 9900-52	67	736 2825-51	17				
472 9900-53	67	736 2825-51	21				

Numerical index/Numerical index

Art.No/Réf. article	Page/Page	Art.No/Réf. article	Page/Page	Art.No/Réf. article	Page/Page	Art.No/Réf. article	Page/Page

WASCOMAT

461 Doughty Blvd., Inwood, L.I., N.Y. 11096-0338

Telephone: 516-371-4400

Parts and Service FAX: 516-371-4029

Sales and Administration FAX: 516-371-4204