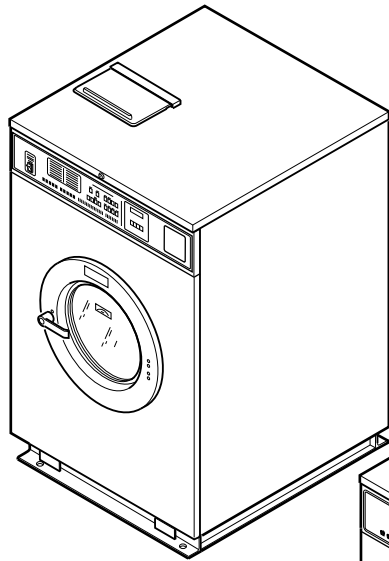
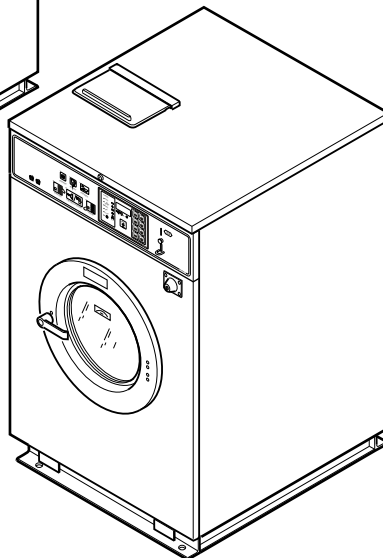


Washer-Extractor

Cabinet Hardmount
HC80, SC80 and UC80 NetMaster,
A or B Control and V-Computer
Refer to Page 5 for Model Numbers



NetMaster or V-Computer



A or B Control

CHM1767C_F232193

Table of Contents

Title	Page
Parts Ordering Information.....	3
Serial Plate Location	3
Model Identification	5
Product Overview for A and B-Control.....	6
Product Overview for NetMaster, Mechanical Timer and P, S and V-Computer	8
Decals	10
Control Module - NC, NR, NX and NY Models (Drawing 1 of 2).....	12
Control Module - NC, NR, NX and NY Models (Drawing 2 of 2).....	14
Control Module - VC, VN and VX Models Through 8/1/04 (Drawing 1 of 2).....	16
Control Module - VC, VN and VX Models Through 8/1/04 (Drawing 2 of 2).....	18
Control Module - VC, VN and VX Models Starting 8/2/04 (Drawing 1 of 2).....	20
Control Module - VC, VN and VX Models Starting 8/2/04 (Drawing 2 of 2).....	22
AC Drive - VC, VN and VX Models Starting 8/2/04.....	24
Control Panel - VC, VN and VX Models.....	26
Control Module - A and B Control Models Through 7/14/04	28
AC Drive Box - A and B Control Models Through 7/14/04	30
AC Drive - A and B Control Models Through 7/14/04	32
Control Module - AC, AL, AX, AY, BC, BL, BX and BY Models Starting 7/14/04.....	34
Control Module - AN and BN Models Starting 7/15/04	36
AC Drive Box - A and B Control Models Starting 7/15/04.....	38
AC Drive - A and B Control Models Starting 7/15/04	40
Coin Meter Mounting Assembly, Water Level Switch and Keypad - A and B Control Models.....	42
Output Board CCA, Computer, Interface CCA and Thermostat - A and B Control Models	44
Flush Mount Coin Meter Assembly - AC, AX, BC, BX, NC and NX Models; Single Drop.....	46
Flush Mount Coin Meter Assembly - AC, AX, BC, BX, NC and NX Models; Dual Drop	48
Electronic Coin Meter Assembly - AC, AX, BC, BX, NC and NX Models.....	50
Card Reader - Model SC80NRV.....	52
W2000 Coin Meter Assembly - VC and VX Models; Single Drop	54
W2000 Coin Meter Assembly - VC and VX Models; Dual Drop.....	56
Optional Coin Box.....	58
Control Panel Assembly and Control Panel Decals - AC, AL, AX, AY, BC, BL, BX and BY Models	60
Control Panel Assembly, Controls and Control Panel Decals - AN and BN Models.....	62
Control Panel Assembly and Control Panel Decals - NC, NR, NX, NY, VC and VX Models.....	64
Control Panel Assembly and Control Panel Decals - VN Models	66
Inner and Outer Front Panels	68
Cover Panels and Frame	70
Door	72
Door Lock - AN, BN and VN Models.....	74
Door Lock - AC, AL, AX, AY, BC, BL, BX and BY Models.....	76
Door Lock - NC, NR, NX, NY, VC and VX Models.....	78
Fill Plumbing and External Supply (Drawing 1 of 3).....	80

© Copyright 2014, Alliance Laundry Systems LLC

All rights reserved. No part of the contents of this book may be reproduced or transmitted in any form or by any means without the expressed written consent of the publisher.

Fill Plumbing and External Supply (Drawing 2 of 3).....	82
Fill Plumbing and External Supply (Drawing 3 of 3).....	84
Water Supply Hose and Filter (Optional)	86
Basket and Shell	88
Drain	90
Motor, Pulley, Belts and Bearings	92
Electric Heat Option - AC, AL, AN, AX, AY, BC, BL, BN, BX and BY Models	94
Electric Heat Option - NC, NR, NX, NY, VC, VN and VX Models	96
Steam Heat Kit - AC, AL, AN, AX, AY, BC, BL, BN, BX and BY Models	98
Steam Heat Option - VC, VN and VX Models	100
Special Tools	102
Parts Index.....	105

Parts Ordering Information

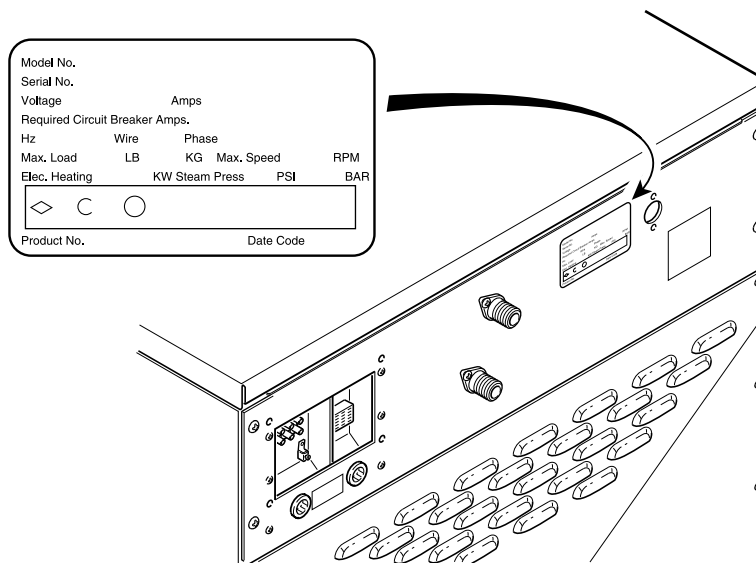
If literature or replacement parts are required, contact the source from whom the machine was purchased or contact Alliance Laundry Systems at (920) 748-3950 for the name and address of the nearest authorized parts distributor.

For technical assistance, call either of the numbers listed below:

(920) 748-3121 Ripon, Wisconsin
+32 56 41 20 54 Wevelgem, Belgium

Serial Plate Location

When calling or writing about your product, be sure to mention model and serial numbers. Model and serial numbers are located on serial plate(s) as shown.



CHM2411P_F232193

Model Identification

Information in this manual is applicable to these washer-extractor models:

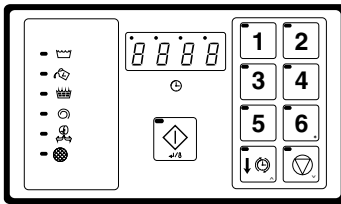
DC80NCV	SC80ACV	UC80ANV
HC80ACV	SC80ALV	UC80BNV
HC80ALV	SC80ANV	UC80VNV
HC80ANV	SC80AXV	
HC80AXV	SC80AYV	
HC80AYV	SC80BCV	
HC80BCV	SC80BLV	
HC80BLV	SC80BNV	
HC80BNV	SC80BXV	
HC80BXV	SC80BYV	
HC80BYV	SC80NCV	
HC80VCV	SC80NRV	
HC80VNV	SC80NXV	
HC80VXV	SC80NYV	
	SC80VNV	

NOTE: This manual applies to models of design 6 only.

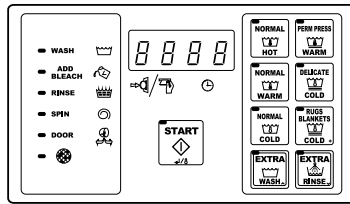
Product Overview for A and B-Control

Model No. *C40AC20U60001
 Serial No. 00000000000
 Voltage 208 – 240 Amps 7
 Required Circuit Breaker Amps 15
 Hz 60 Wire 3 Phase 3
 Max. Load 40 LB 18.2 KG Max. Speed 470 RPM
 Elec. Heating N/A KW Steam Press. N/A PSI 0 BAR
 Drawing:

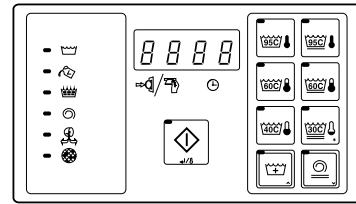
ETL LISTED
 CONFORMS TO
 ANSUL STD. 1555
 ANSUL STD. 1206
 ETL TESTING LABORATORIES, INC.
 CORTLAND, NEW YORK 13045



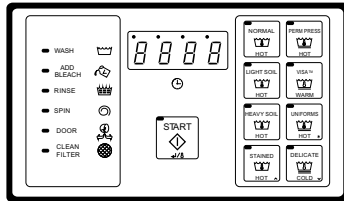
A-Control OPL



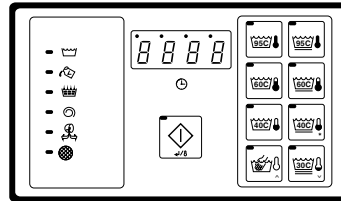
A-Control Coin (Domestic)



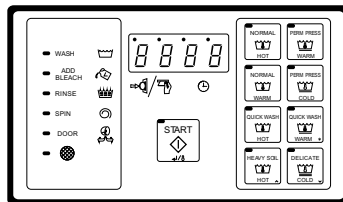
A-Control Coin (International)



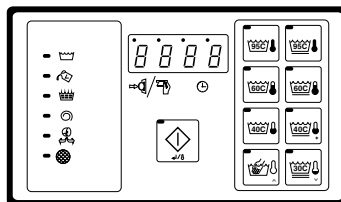
B-Control OPL (Domestic)



B-Control OPL (International)



B-Control Coin (Domestic)



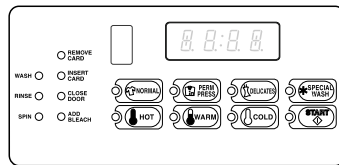
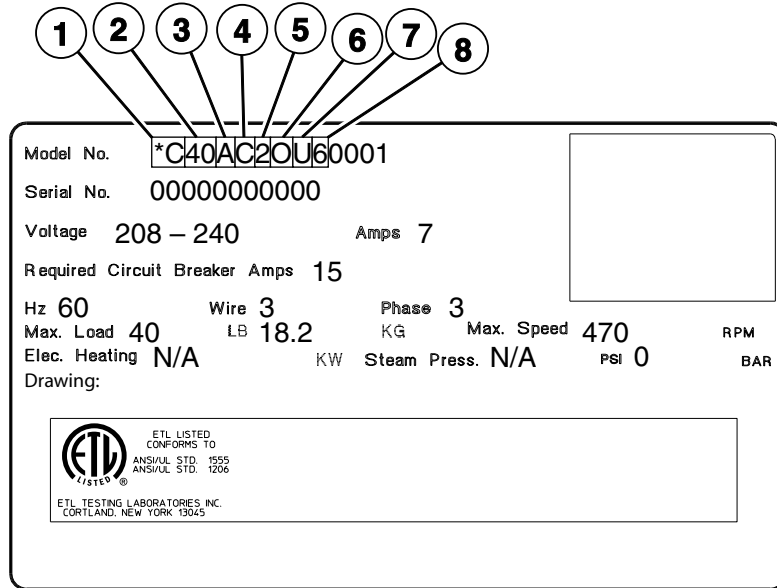
B-Control Coin (International)

CHM2976P_F232193

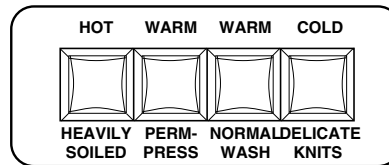
Product Overview for A and B-Control

REF	PART NO.	DESCRIPTION	COMMENTS
1	-	Product Family	DC HC NC SC UC
2	-	Capacity (Pounds)	18 20 25 27 30 35 40 50 60 80 100 125
3	-	Control	A (A-Control) B (B-Control)
4	-	Actuation	C (Drop Coin Meter) D (Digital Coin Meter) L (Prep for Remote/Central Pay) N (Non-Coin - OPL) R (Cardmate Plus II) X (Prep for Coin Meter) Y (Prep for Card Reader)
5	-	Speed	2 (2-Speed) 3 (3-Speed) F (F-Speed) V (Variable Speed)
6	-	Voltage	B (120/60/1/2) C (380-415/50/3/3) D (220-240/50/3/3) E (220-240/50/1/2) F (440-480/60/3/3) J (220/50/3/3) N (440-480/50-60/3/3) O (200-240/60/3/3) P (380-415/50-60/3/3) Q (200-240/50-60/3/3) X (200-240/50-60/1/3) Y (208-240/60/1/2)
7	-	Side Panel	N (Network Board Installed) P (Network Adaptable) U (Standard Specs) 1 (Stainless Steel) 2 (Network Board Installed with Stainless Sides) 3 (Network Adaptable with Stainless Sides)
8	-	Design	1-4 and 6

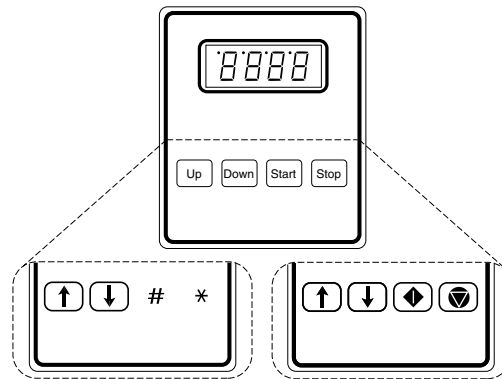
Product Overview for NetMaster, Mechanical Timer and P, S and V-Computer



NetMaster



Mechanical Timer



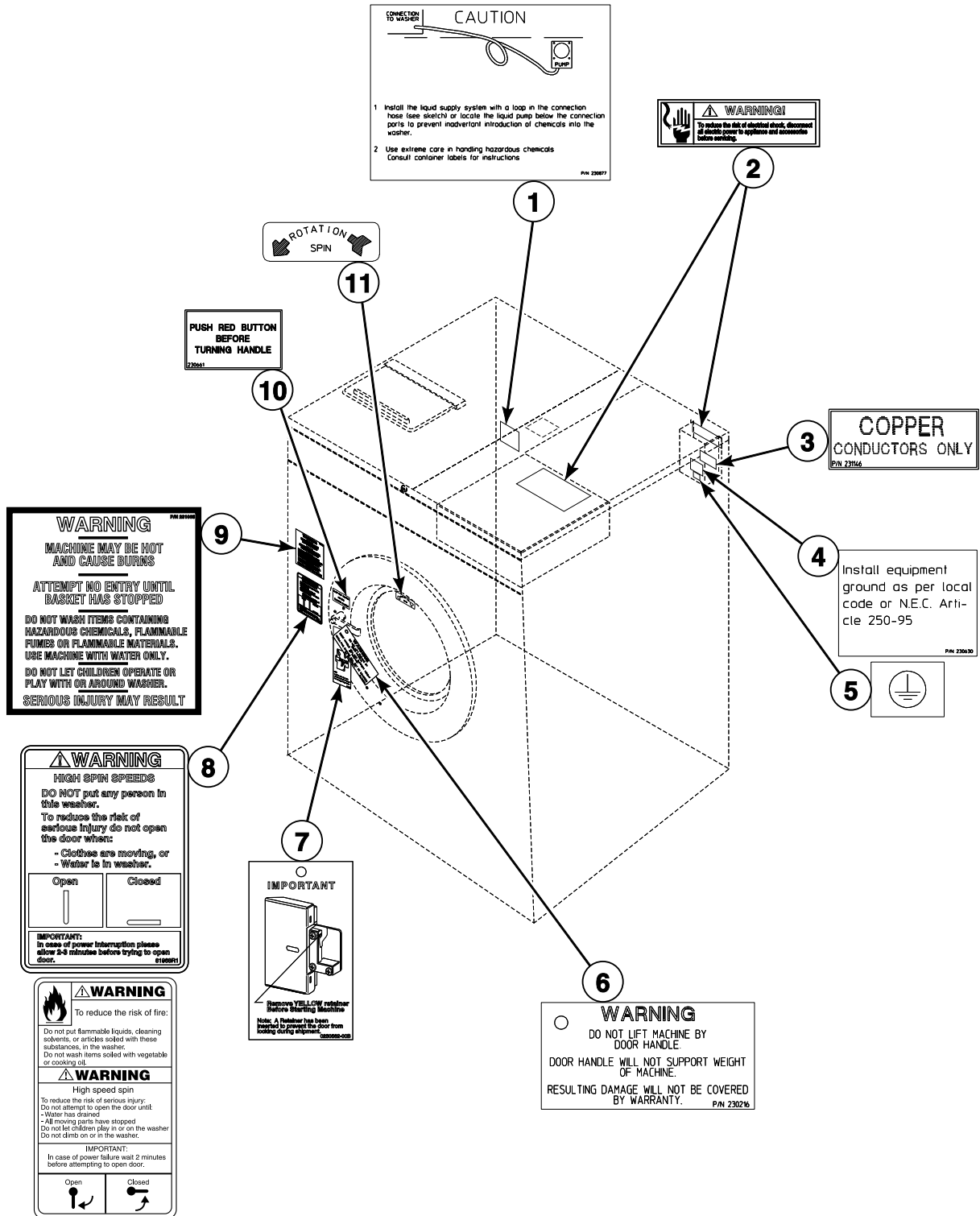
P, S and V-Computer

CHM2977P_F232193

Product Overview for NetMaster, Mechanical Timer and P, S and V-Computer

REF	PART NO.	DESCRIPTION	COMMENTS
1	-	Product Family	DC HC NC SC UC
2	-	Capacity (Pounds)	18 20 25 27 30 35 40 50 60 80 100 125
3	-	Control	M (Mechanical Timer) N (NetMaster) P (P-Computer) S (S-Computer) V (V-Computer)
4	-	Actuation	C (Drop Coin Meter) D (Digital Coin Meter) L (Prep for Remote/Central Pay) N (Non-Coin - OPL) R (Cardmate Plus II) X (Prep for Coin Meter) Y (Prep for Card Reader)
5	-	Speed	2 (2-Speed) 3 (3-Speed) F (F-Speed) V (Variable Speed)
6	-	Voltage	B (120/60/1/2) C (380-415/50/3/4) D (220-240/50/3/3) E (220-240/50/1/2) F (440-480/60/3/3) J (220/50/3/3) N (440-480/50-60/3/3) O (200-240/60/3/3) P (380-415/50-60/3/3) Q (200-240/50-60/3/3) X (200-240/50-60/1/3) Y (208-240/60/1/2)
7	-	Side Panel	N (Network Board Installed) P (Network Adaptable) U (Standard Specs) 1 (Stainless Steel) 2 (Network Board Installed with Stainless Sides) 3 (Network Adaptable with Stainless Sides)
8	-	Design	1-4 and 6

Decals

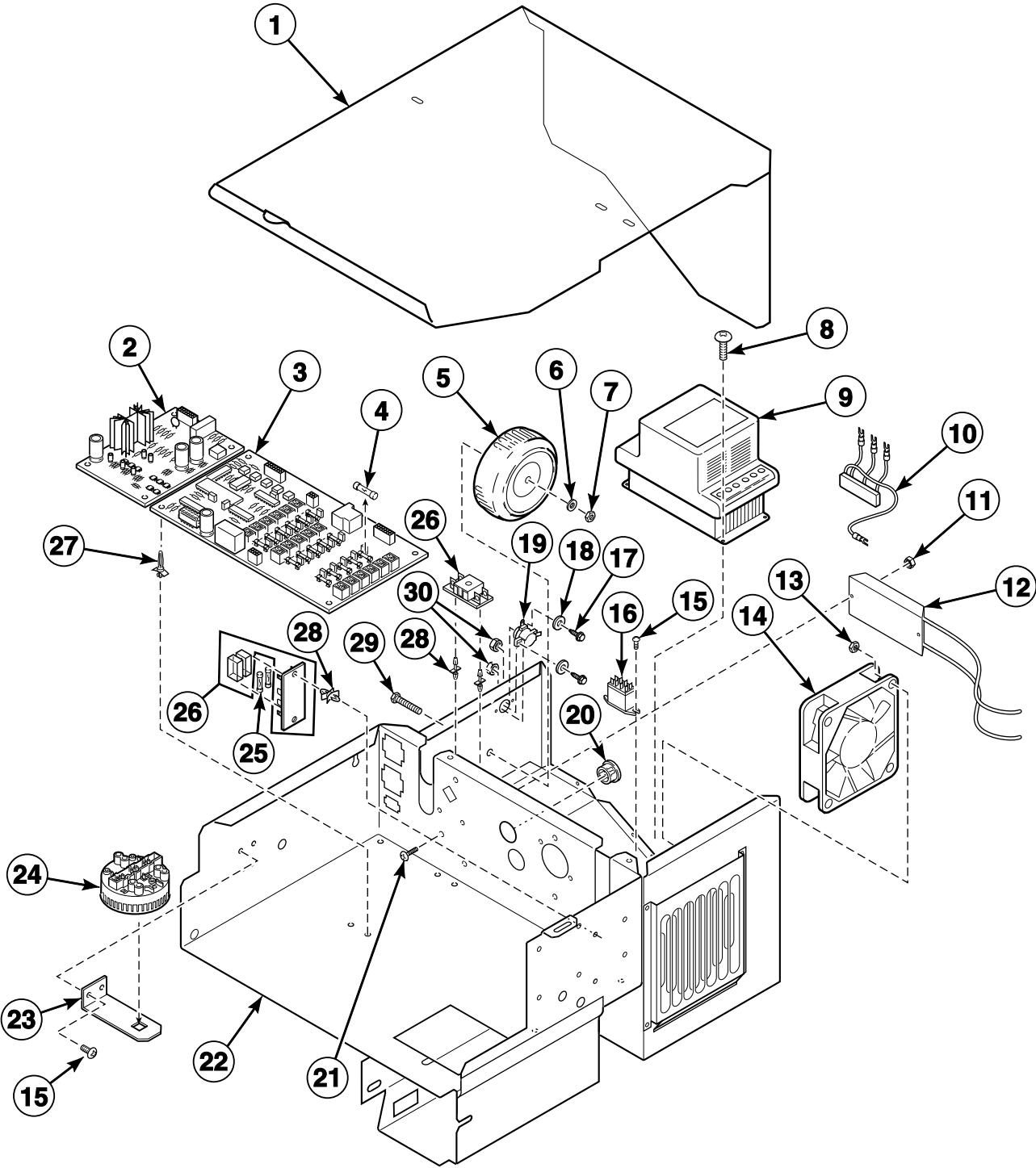


CHM2907P_F232193

Decals

REF	PART NO.	DESCRIPTION	COMMENTS
1	F230877	Liquid Supply Decal	Models HC80ANV, HC80BNV, HC80VNV, SC80ANV, SC80BNV, SC80VNV, UC80ANV, UC80BNV and UC80VNV
2	505281	Disconnect Power Warning Label	
3	F231146	Conductor Decal	
4	F230630	Ground Decal	
5	F230739	Ground Decal	
6	F230216	Do Not Lift Decal	
7	F230528	Remove Door Lock Tag	Models HC80ANV, HC80BNV, HC80VNV, SC80ANV, SC80BNV, SC80VNV, UC80ANV, UC80BNV and UC80VNV
8	81968	Door Warning Label	Models DC80NCV, HC80VCV, HC80VNV, HC80VXV, SC80NCV, SC80NRV, SC80NXV, SC80NYV, SC80VNV and UC80VNV
	F200284600	Do Not Open Warning Decal	Models HC80ACV, HC80ALV, HC80ANV, HC80AXV, HC80AYV, HC80BCV, HC80BLV, HC80BNV, HC80BXV, HC80BYV, SC80ACV, SC80ALV, SC80ANV, SC80AXV, SC80AYV, SC80BCV, SC80BLV, SC80BNV, SC80BXV, SC80BYV, UC80ANV and UC80BNV
9	F231065	Personal Injury Warning Decal	
10	F230661	Push Red Button Decal	
11	F230693	Counterclockwise Spin Rotation Decal	

Control Module - NC, NR, NX and NY Models (Drawing 1 of 2)



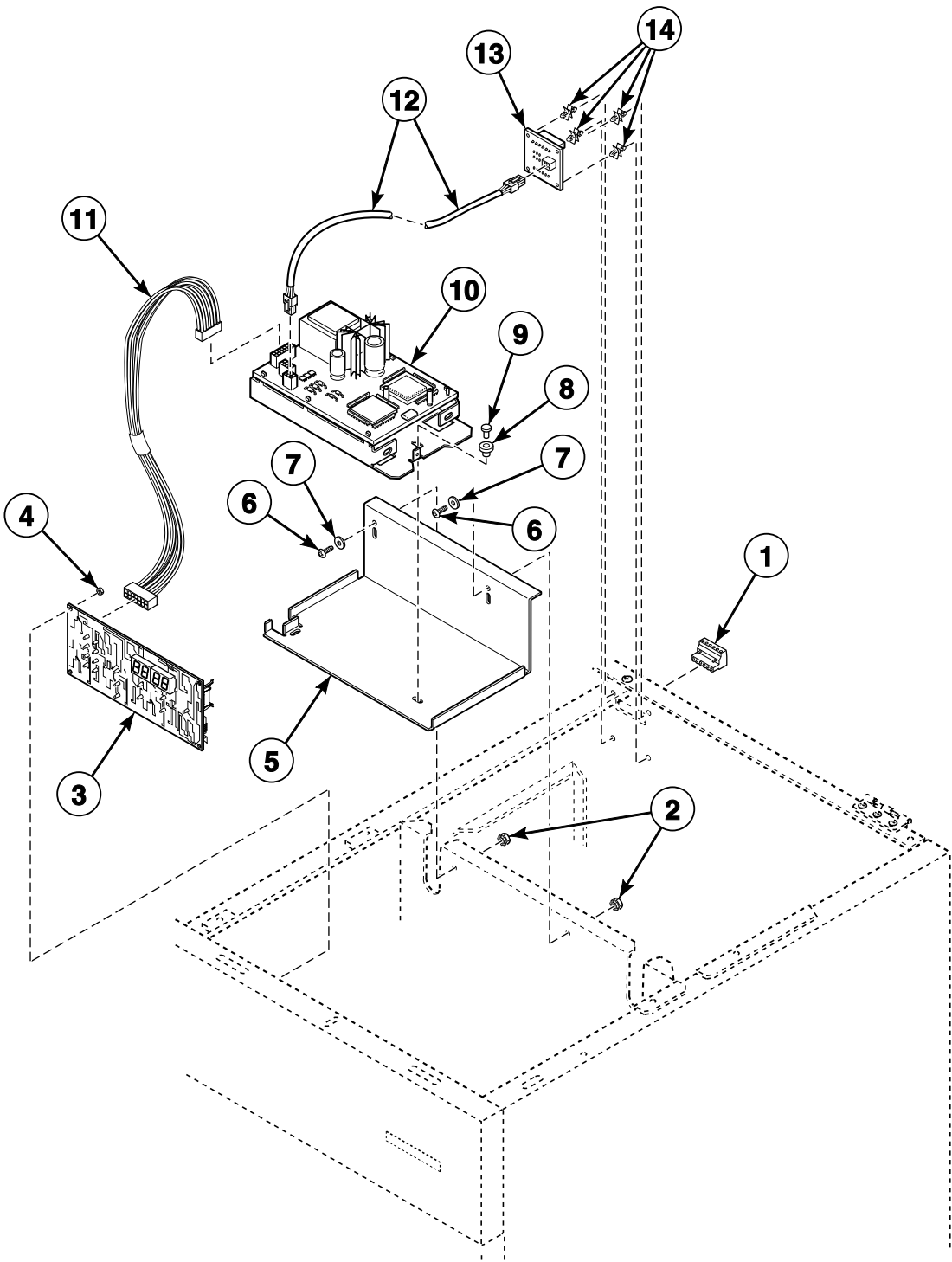
CHM3198P_F232193

Control Module - NC, NR, NX and NY Models (Drawing 1 of 2)

REF	PART NO.	DESCRIPTION	COMMENTS
	F0360159-00P	Line Reactor Kit	Use with F370843 Inverter Drive
	F0360166-00P	Line Reactor Kit	Use with F370844 Inverter Drive
1	N/A	Module Box Cover	
2	F370432P	Door Lock Control CCA	
3	F370433P	Output Relay CCA	
4	F350142	Fuse	
5	F0360170-00P	Transformer	24 Volt
6	F431137	Washer	
7	F430215	Nut	
8	F430916	Screw	
9	F370843	Inverter Drive	160 series; 200 Volt
	F370844	Inverter Drive	160 series; 400 Volt
10	F200320900	AC Drive Radio Filter Assembly	
11	F431016	Nut	
12	F8080001P	AC Drive Resistor Assembly	200 Volt
	F8079901P	AC Drive Resistor Assembly	400 Volt
13	F430231	Nut	
14	F110110	Muffin Fan	
15	N/A	Screw	
16	M412534	Relay	
17	F430928	Screw	
18	F431113	Washer	
19	F290115	Thermostat	Models through 7/20/04
	F0290116-00	Thermostat	Models starting 7/21/04
20	F140909	Insulator Bushing	
21	F430909	Screw	
22	N/A	Control Box Assembly	
23	F631920	Water Level Switch Bracket	
24	F0340351-10P	Water Level Switch	
25	F350110	Fuse	1 Amp
	F350145	Fuse	1.6 Amp
	F350115	Fuse	3 Amp
	F350146	Fuse	5 Amp
26	F0350312-10	Fuse Holder	
27	F180501	Standoff	
28	F180506	Standoff	
29	F430996	Screw	
30	F431022	Nut	

N/A = Part no longer available

Control Module - NC, NR, NX and NY Models (Drawing 2 of 2)

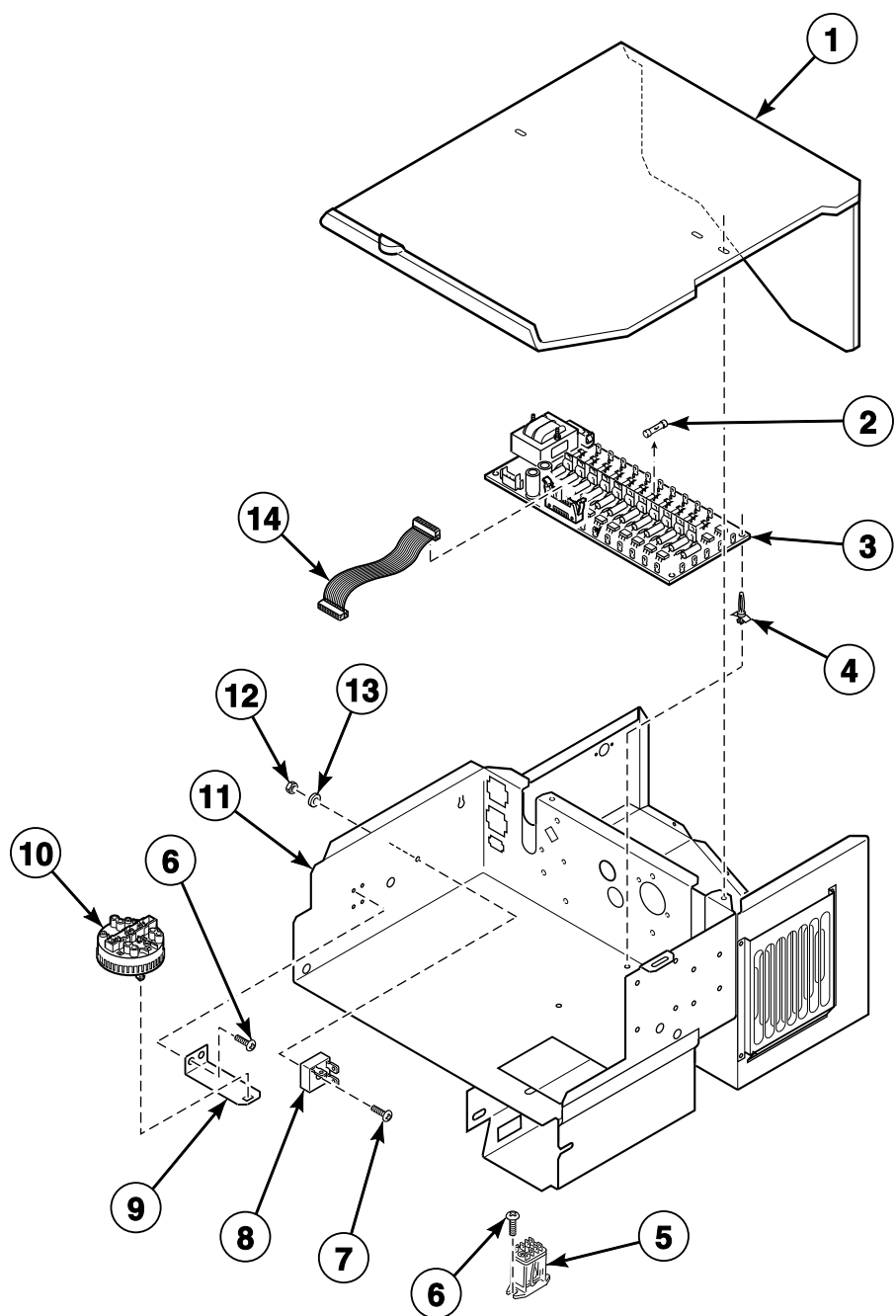


CHM2314P_F232193

Control Module - NC, NR, NX and NY Models (Drawing 2 of 2)

REF	PART NO.	DESCRIPTION	COMMENTS
1	210099	Communication Connector	
2	F430232	Nut	
3	F160203P	Logic Control Assembly	
4	F431017	Nut	
5	F634769	Network Interface Control Mounting Bracket	
6	F430903	Screw	
7	F430311	Washer	
8	F170607	Grommet	
9	F432005	Rivet	
10	210016P	Network Board Assembly	
11	F141886	Network Board Harness	
12	F141888-2	Network Interface Harness	
13	210095P	Communication Board	
14	F180506	Standoff	

Control Module - VC, VN and VX Models Through 8/1/04 (Drawing 1 of 2)



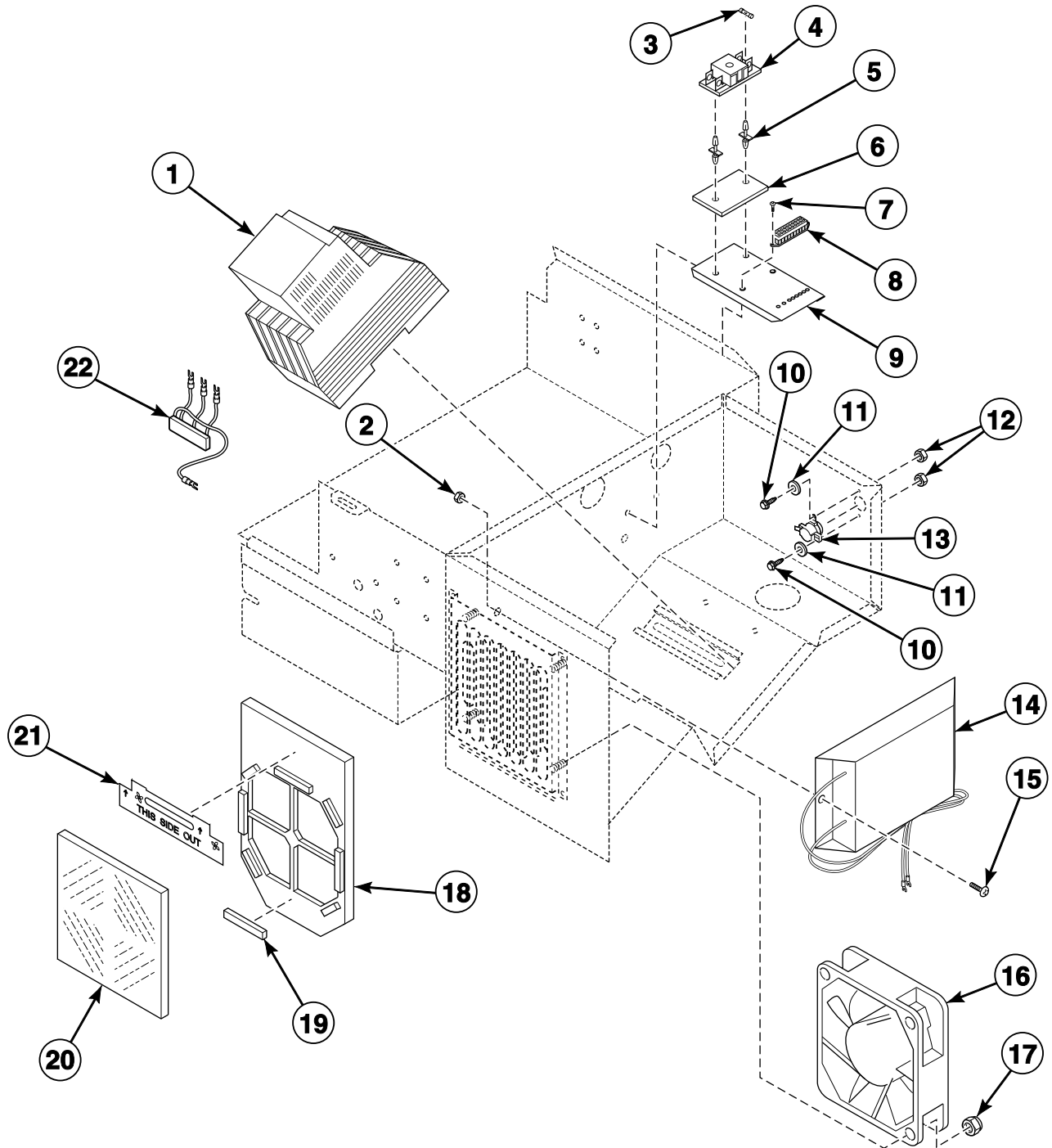
CHM2114P_F232193

Control Module - VC, VN and VX Models Through 8/1/04 (Drawing 1 of 2)

REF	PART NO.	DESCRIPTION	COMMENTS
	F200296000P	Computer and Door Lock Harness	Use with F037044860-2 Output CCA
1	N/A	Module Box Cover	
2	F350110	Fuse	1 Amp
	F350109	Fuse	.5 Amp
	F350108	Fuse	.125 Amp
3	F8206501P	Output Board VCMP Assembly	VC and VX models; VN models through 7/21/04
	F037044860-2	Output CCA	VN models starting 7/22/04
4	F180501	Standoff	
5	F330227	Flange Relay	
6	N/A	Screw	
7	F430916	Screw	
8	F370310	Bridge Rectifier	
9	F631920	Water Level Switch Bracket	
10	F0340351-10P	Water Level Switch	
	F8223001P	Water Pressure Switch	Heat safety
11	N/A	Control Box Assembly	Models HC80VCV and HC80VXV
	F0637033-01	Control Box Assembly	Models HC80VNV, SC80VNV and UC80VNV
12	F430232	Nut	
13	901690	Washer	
14	F140216P	Ribbon Cable	16 pin; 6 inch; Connects the output board cca to the microcomputer

N/A = Part no longer available

Control Module - VC, VN and VX Models Through 8/1/04 (Drawing 2 of 2)



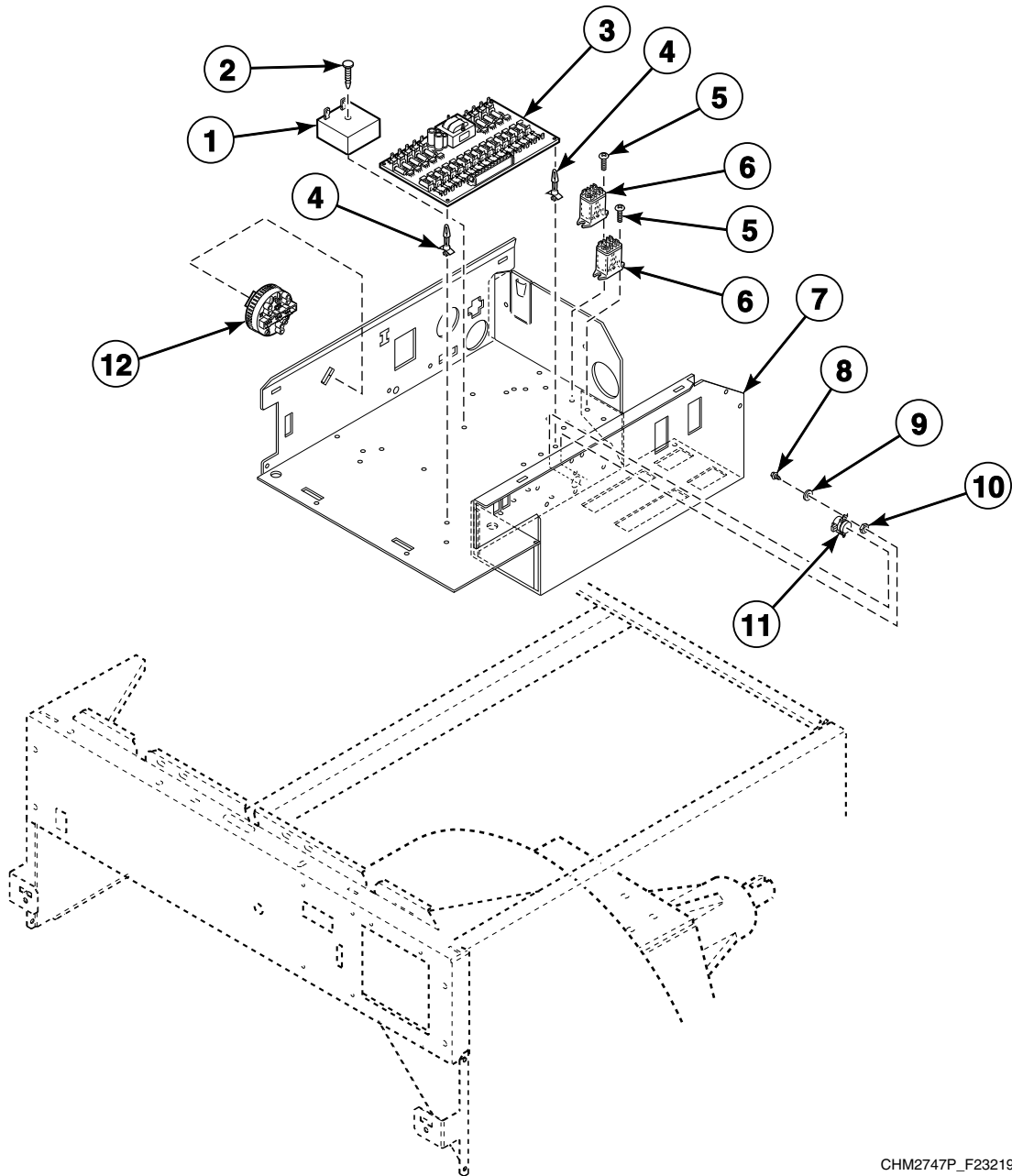
CHM2730P_F232193

Control Module - VC, VN and VX Models Through 8/1/04 (Drawing 2 of 2)

REF	PART NO.	DESCRIPTION	COMMENTS
	F0360159-00P	Line Reactor Kit	Use with F370843 Inverter Drive
	F0360166-00P	Line Reactor Kit	Use with F370844 Inverter Drive
1	F370843	Inverter Drive	160 series; 200 Volt
	F370844	Inverter Drive	160 series; 400 Volt
2	F431016	Nut	
3	F350110	Fuse	1 Amp
	F350117	Fuse	2 Amp
4	F0350312-10	Fuse Holder	
5	F180501	Standoff	
6	F231393	Fuse Decal	1 Amp
	F231394	Fuse Decal	2 Amp
7	N/A	Screw	
8	F140768	Terminal	
9	F633322	Fuse Terminal Mounting Bracket	
10	F430928	Screw	
11	F431113	Washer	
12	F431022	Nut	
13	F290115	Thermostat	Models through 7/20/04
	F0290116-00	Thermostat	Models starting 7/21/04
14	F8080001P	AC Drive Resistor Assembly	200 Volt; Models starting 11/11/99
	F8079901P	AC Drive Resistor Assembly	400 Volt; Models starting 11/11/99
15	F430909	Screw	
16	F110106	Muffin Fan	
17	F431016	Nut	
18	F633321	Cooling Fan Filter Slide	
19	F140639	Velcro	
20	F0270321-00P	Filter	
21	F231377	Filter Handle Decal	
22	F200320900	AC Drive Radio Filter Assembly	

N/A = Part no longer available

Control Module - VC, VN and VX Models Starting 8/2/04 (Drawing 1 of 2)

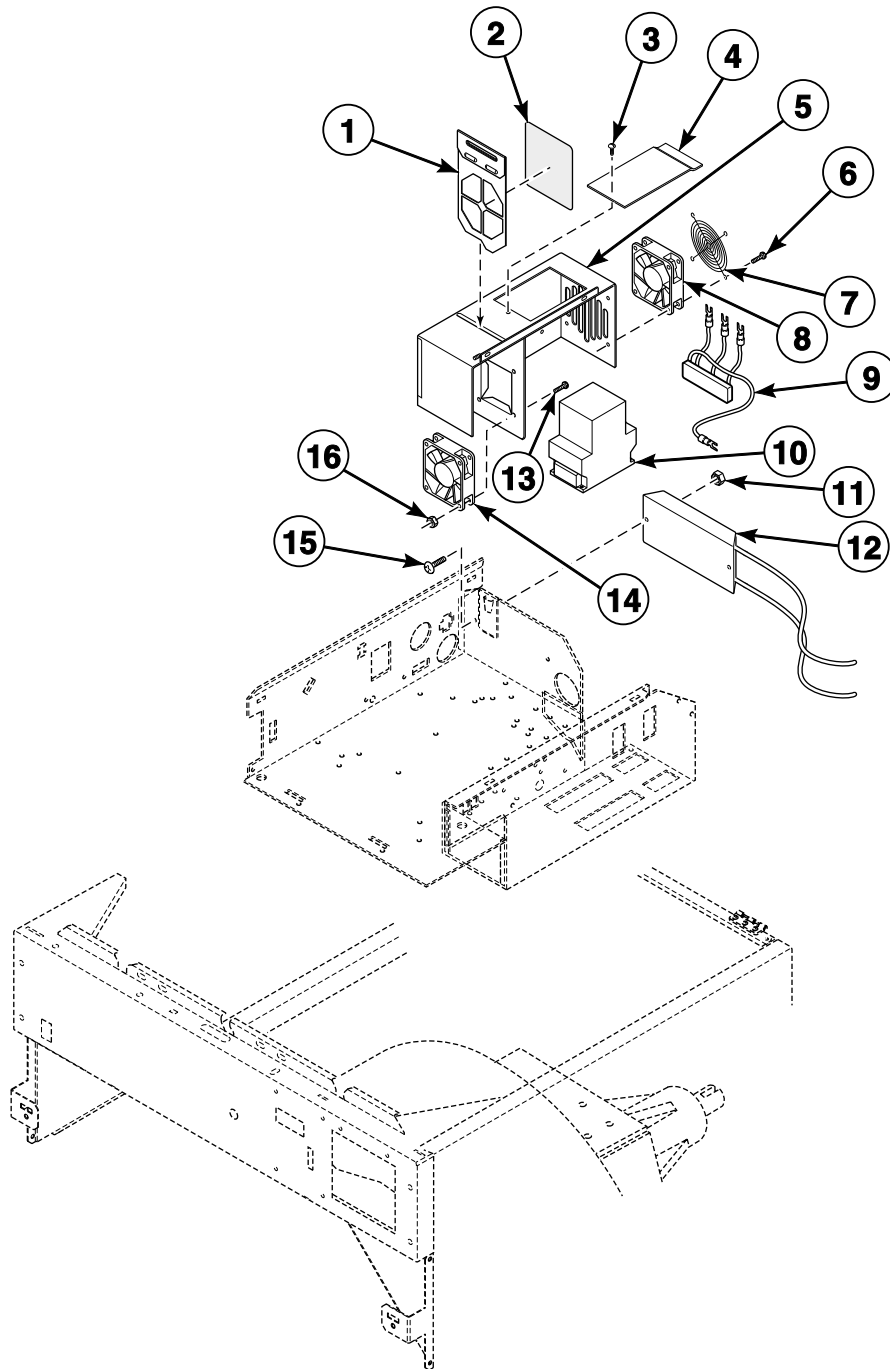


CHM2747P_F232193

Control Module - VC, VN and VX Models Starting 8/2/04 (Drawing 1 of 2)

REF	PART NO.	DESCRIPTION	COMMENTS
	F200296000P	Computer and Door Lock Harness	Use with F037044860-2 Output CCA
1	F0330404-00P	Timer	Models HC80VCV and HC80VXV; Models HC80VNV, SC80VNV and UC80VNV through 2/10/05
2	F0432316-00	Ratchet Fastener	Models HC80VCV and HC80VXV; Models HC80VNV, SC80VNV and UC80VNV through 2/10/05
3	F8206502P	Output Board VCMP Assembly	Models HC80VCV and HC80VXV
	F037044860-2	Output CCA	Models HC80VNV, SC80VNV and UC80VNV
	F350110	Fuse	1.25 Amp
	F350109	Fuse	.5 Amp
	F350108	Fuse	.125 Amp
4	F180501	Standoff	
5	F0430165-00	Screw	Models HC80VCV and HC80VXV; Models HC80VNV, SC80VNV and UC80VNV through 2/10/05
6	F330230	Flange Relay	Models HC80VCV and HC80VXV; Models HC80VNV, SC80VNV and UC80VNV through 2/10/05
7	F200100102	Module Box Assembly	Models HC80VCV and HC80VXV
	F200100103	Module Box Assembly	Models HC80VNV, SC80VNV and UC80VNV
8	F430928	Screw	
9	F431113	Washer	
10	F431022	Nut	
11	F0290116-00	Thermostat	
12	F0340351-10P	Water Level Switch	
	F8223001P	Water Pressure Switch	Heat safety

Control Module - VC, VN and VX Models Starting 8/2/04 (Drawing 2 of 2)

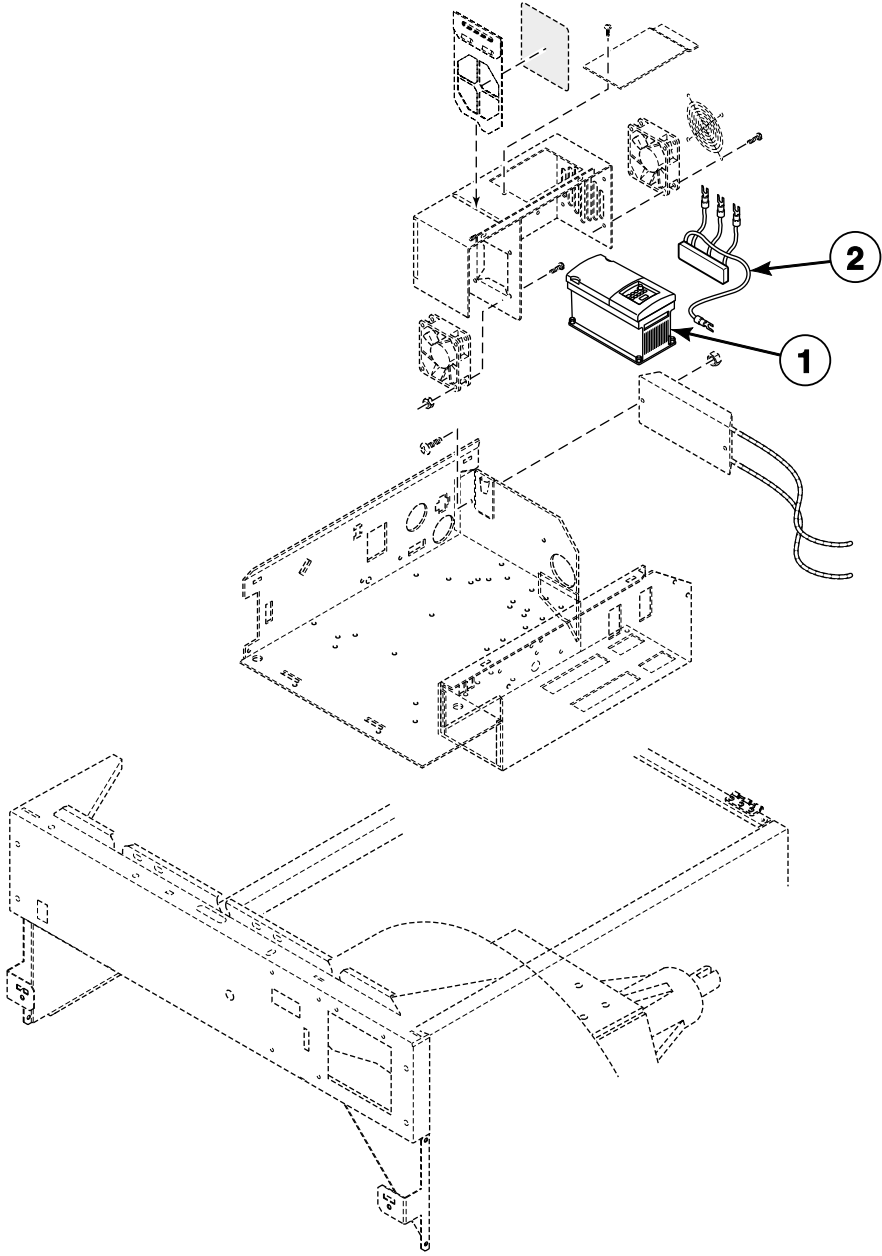


CHM2731P_F232193

Control Module - VC, VN and VX Models Starting 8/2/04 (Drawing 2 of 2)

REF	PART NO.	DESCRIPTION	COMMENTS
	F0360159-00P	Line Reactor Kit	Use with F370843 Inverter Drive
	F200146800P	AC Drive Cover Assembly	Includes items 1, 3-8, 13, 14 and 16
1	F8026401P	Air Filter Assembly	Includes item 2, F431377 Filter Handle Decal and F140639 Velcro
2	F0270321-00P	Filter	
3	F430174	Screw	
4	F200181500	Display Window Cover	
5	F200100201	AC Drive Cover Assembly	
6	F430922	Screw	
7	F0220922-00	Fan Guard	
8	F110110	Muffin Fan	
9	F200320900	AC Drive Radio Filter Assembly	
10	F370843	Inverter Drive	
11	F431016	Nut	
12	F8080001P	AC Drive Resistor Assembly	200 Volt
	F8079901P	AC Drive Resistor Assembly	400 Volt
13	F430916	Screw	
14	F110105	Muffin Fan	
15	F430909	Screw	
16	F430231	Nut	

AC Drive - VC, VN and VX Models Starting 8/2/04



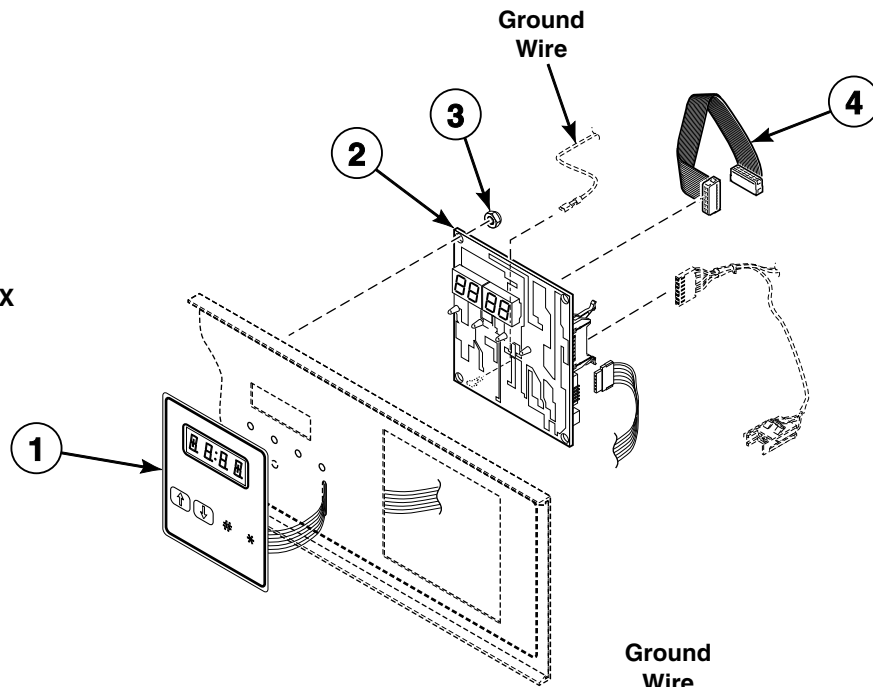
CHM3012P_F232193

AC Drive - VC, VN and VX Models Starting 8/2/04

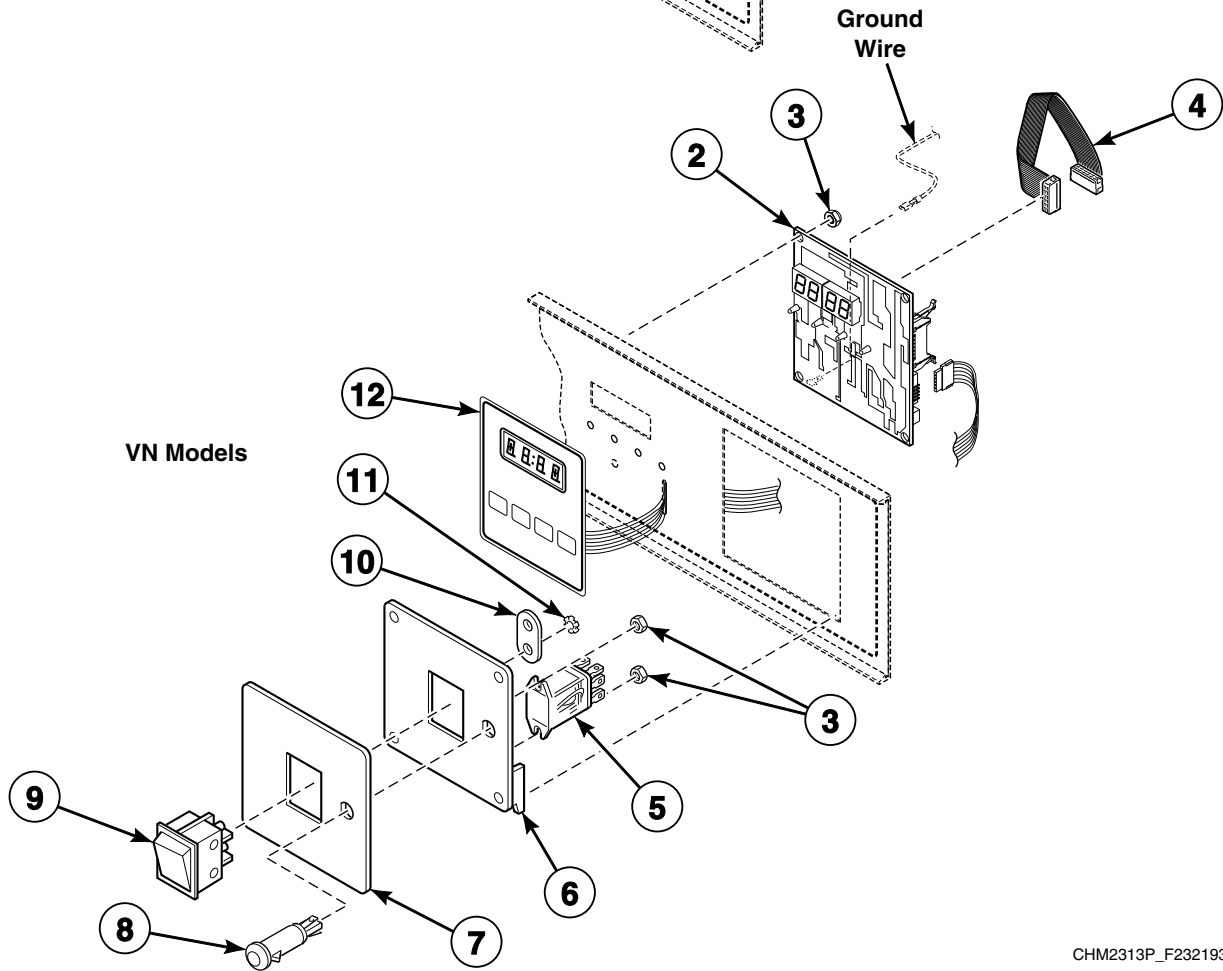
REF	PART NO.	DESCRIPTION	COMMENTS
	F8172806	160-Series to PowerFlex 40 Drive Kit	Models HC80VCV and HC80VXV with 160-series drive; Q-voltage; Includes AC Drive F8169416
	F8172808	160-Series to PowerFlex 40 Drive Kit	Models HC80VNV, SC80VNV and UC80VNV with 160-series drive; Q-voltage; Includes AC Drive F8169417
	F8172904	160-Series to PowerFlex 40 Drive Kit	Models HC80VNV, SC80VNV and UC80VNV with 160-series drive; N and P-voltage; Includes AC Drive F8169418
1	F8169416	PowerFlex 40 Drive	Models HC80VCV and HC80VXV that have been retrofitted with F8172806 160-Series to PowerFlex 40 Drive Kit; Q-voltage
	F8169417	PowerFlex 40 Drive	Models HC80VNV, SC80VNV and UC80VNV that have been retrofitted with F8172808 160-Series to PowerFlex 40 Drive Kit; Q-voltage
	F8169418	PowerFlex 40 Drive	Models HC80VNV, SC80VNV and UC80VNV that have been retrofitted with F8172904 160-Series to PowerFlex 40 Drive Kit; N and P-voltage
2	F200320900	AC Drive Radio Filter Assembly	

Control Panel - VC, VN and VX Models

VC and VX Models



VN Models

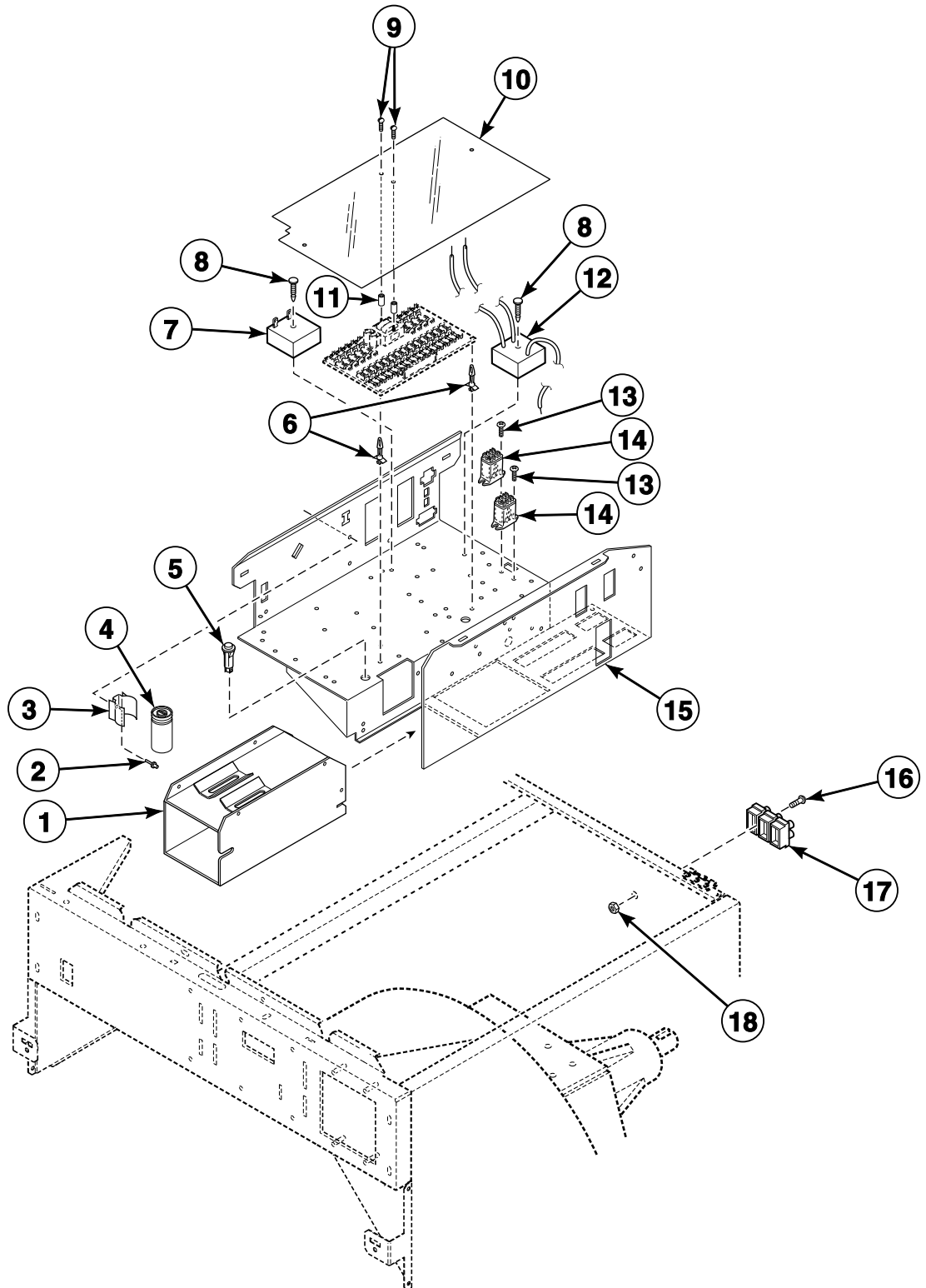


CHM2313P_F232193

Control Panel - VC, VN and VX Models

REF	PART NO.	DESCRIPTION	COMMENTS
1	F340615P	Membrane Switch	Models HC80VCV, HC80VNV and HC80VXV
	F340605P	Membrane Switch	Models SC80VNV and UC80VNV
	F340616P	Membrane Switch	Clean Rite
2	F370313-13P	Microcomputer	Models HC80VNV, SC80VNV and UC80VNV
	F370313-50P	Microcomputer	Models HC80VCV and HC80VXV
3	F430231	Nut	
4	F140215	Ribbon Cable	Connects the microcomputer to the output board cca
5	F330227	Flange Relay	Models through 8/1/04; 120 Volt
	F330230	Flange Relay	Models starting 8/2/04; 220 Volt
6	F633540	Switch Mounting Plate Sub-Assembly	
7	F231449	Switch Panel Decal	Models HC80VCV, HC80VNV and HC80VXV
	F231381	Switch Panel Decal	Models SC80VNV and UC80VNV
8	F350411	Light	Clean filter; Models through 8/1/04; 120 Volt
	F350413	Light	Clean filter; Models starting 8/2/04; 220 Volt
9	F340411	Rocker Switch	
10	F601515	Clip	
11	F430232	Nut	
12	F340614P	Membrane Switch	Models HC80VCV, HC80VNV and HC80VXV
	F340608P	Membrane Switch	Model SC80VNV
	F370576P	Keypad	Model UC80VNV

Control Module - A and B Control Models Through 7/14/04

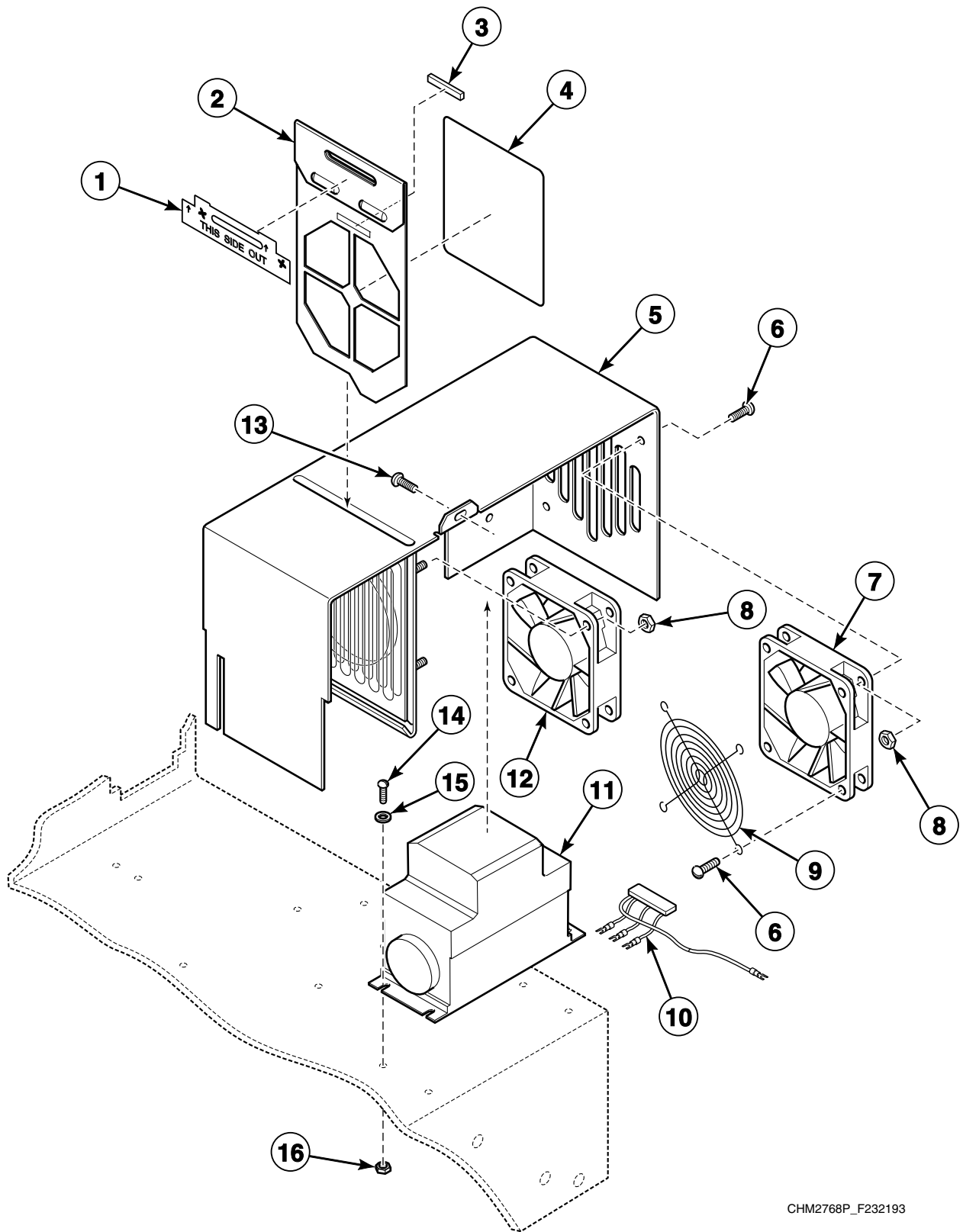


CHM2608P_F232193

Control Module - A and B Control Models Through 7/14/04

REF	PART NO.	DESCRIPTION	COMMENTS
1	F0637138-00	Coin Box Cover Assembly	Models through 8/15/02
	F0637455-00	Coin Box Assembly	Models starting 8/16/02
2	F431215	Pop Rivet	
3	F0320211-00	Capacitor Mounting Bracket	
4	F370225P	Capacitor	
	F0140941-00	Tubing	Order 1 foot
5	F350404	Signal Light	Red
6	F180501	Standoff	
7	F0330404-00P	Timer	
8	F0432316-00	Ratchet Fastener	
9	F431702	Screw	
10	F0170427-00	Output Board Cover	
11	F431806	Nut	
12	F200296100P	Time Delay Assembly	
13	F0430165-00	Screw	
14	F330230	Flange Relay	
15	F0636185-01	Module Box Tray	
16	F430938	Screw	Used with F140748, F140747 and F140746 Input Power Block
	F430903	Screw	Used with F0140795-00, F0140798-00 and F0140799-00 Input Block
17	F140747	Input Power Block	3 terminal; AC, AL, AX, AY, BC, BL, BX and BY models
	F0140798-00P	Input Block	3 terminal; BN models; AC, AL, AX, AY, BC, BL, BX and BY models with heat
18	F430231	Nut	Used with F140747 Input Power Block
	F430232	Nut	Used with F0140798-00 Input Block

AC Drive Box - A and B Control Models Through 7/14/04



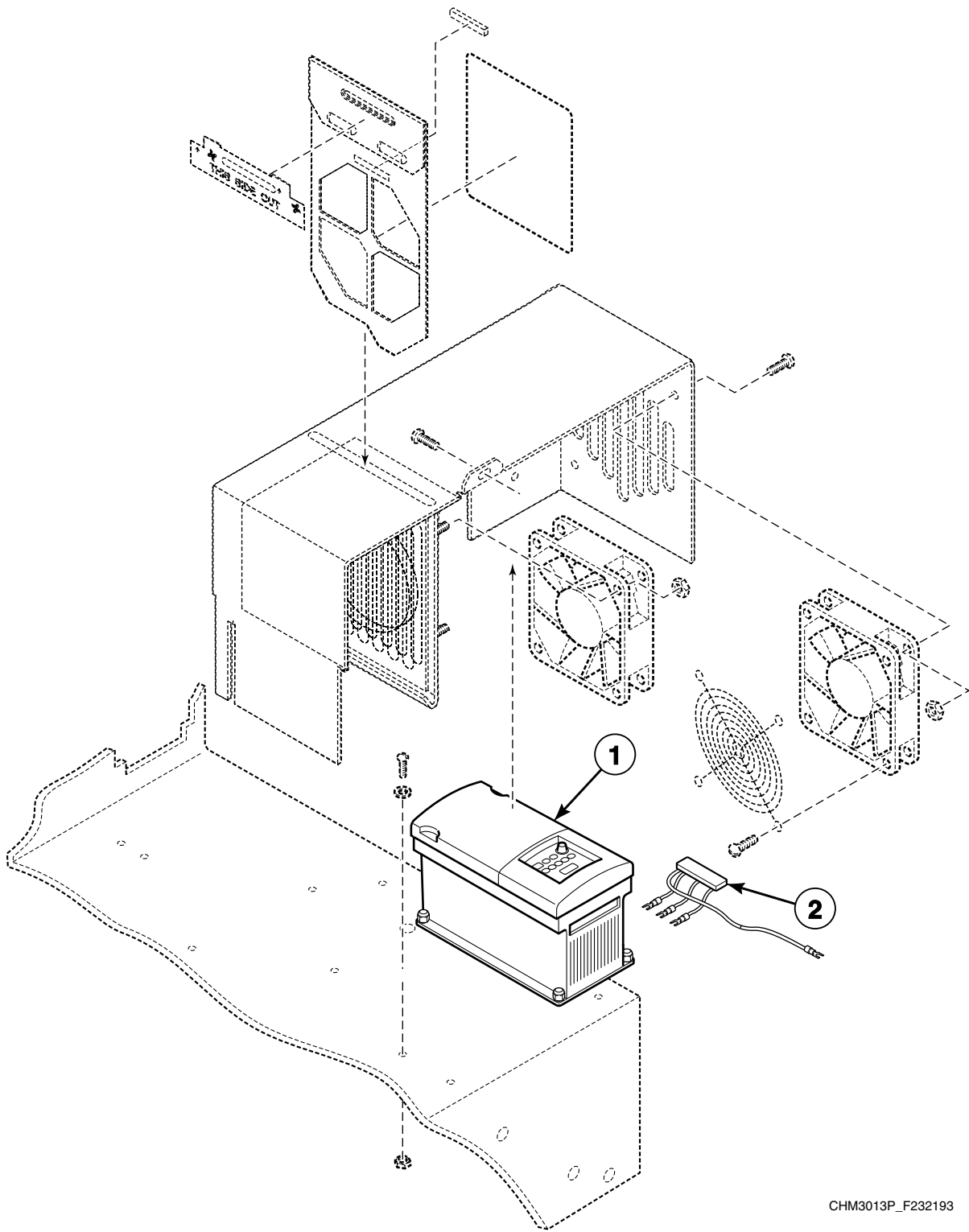
CHM2768P_F232193

AC Drive Box - A and B Control Models Through 7/14/04

REF	PART NO.	DESCRIPTION	COMMENTS
	F0360159-00P	Line Reactor Kit	Use with F370843 Inverter Drive
	F0360166-00P	Line Reactor Kit	Use with F370844 Inverter Drive
	F0636888-00	AC Drive Cover Assembly	Includes items 2, 5-9 and 12
1	F231377	Filter Handle Decal	
2	F633321	Cooling Fan Filter Slide	
3	F140639	Velcro	
4	F0270321-00P	Filter	
5	N/A	AC Drive Cover Sub-Assembly	
6	F430916	Screw	
7	F110110	Muffin Fan	
8	F430231	Nut	
9	F0220922-00	Fan Guard	
10	F200320900	AC Drive Radio Filter Assembly	
11	F370843	Inverter Drive	200 Volt
	F370844	Inverter Drive	400 Volt
12	F110105	Muffin Fan	
13	F430174	Screw	
14	F8535601	Screw	
15	F431133	Washer	
16	F430232	Nut	

N/A = Part no longer available

AC Drive - A and B Control Models Through 7/14/04

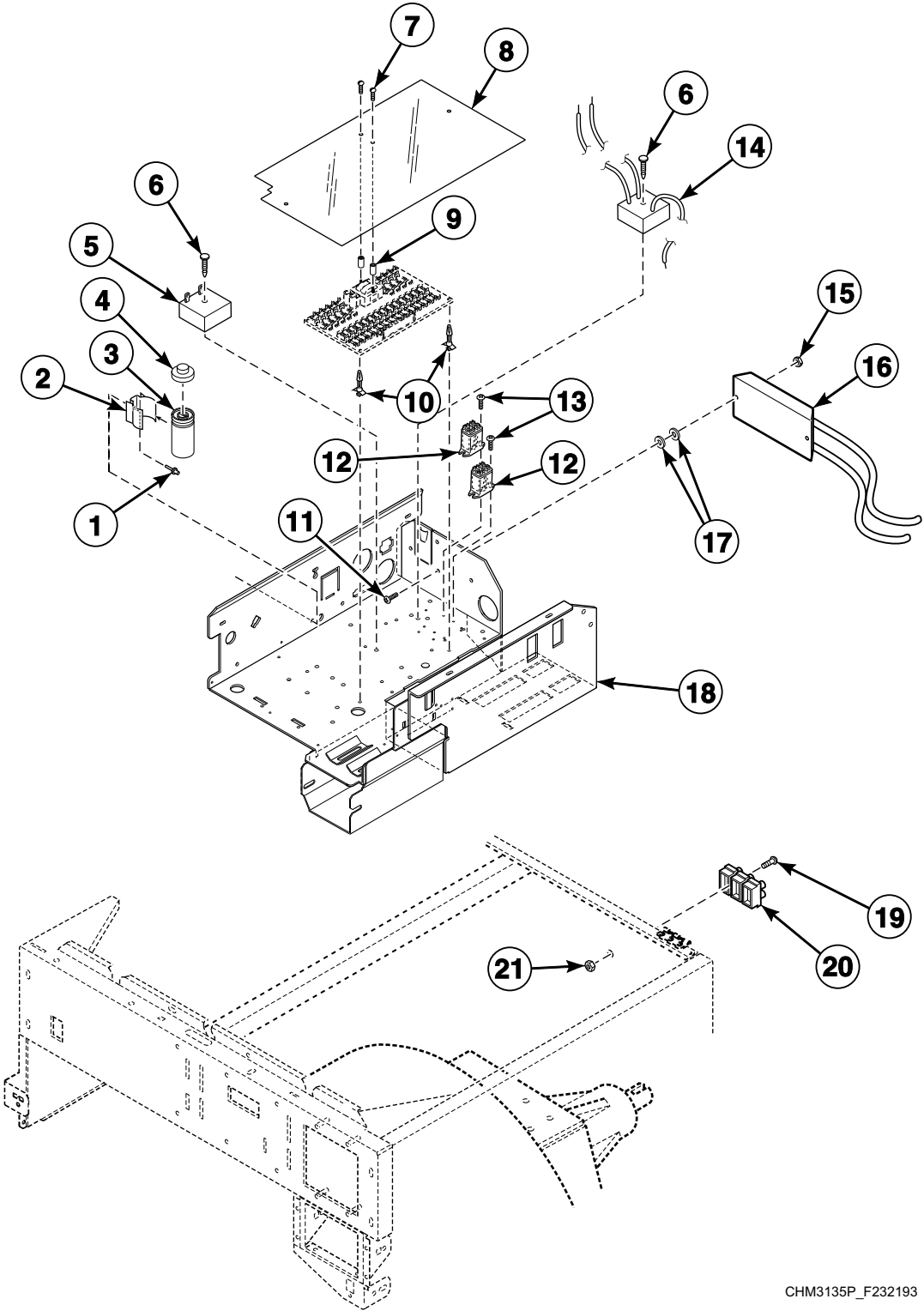


CHM3013P_F232193

AC Drive - A and B Control Models Through 7/14/04

REF	PART NO.	DESCRIPTION	COMMENTS
	F8172805	160-Series to PowerFlex 40 Drive Kit	HC80 and SC80 vended models with 160-series drive; Q-voltage; Includes AC Drive F8169416
	F8172807	160-Series to PowerFlex 40 Drive Kit	HC80, SC80 and UC80 OPL models with 160-series drive; Q-voltage; Includes AC Drive F8169417
	F8172903	160-Series to PowerFlex 40 Drive Kit	HC80, SC80 and UC80 OPL models with 160-series drive; N and P-voltage; Includes AC Drive F8169418
1	F8169416	PowerFlex 40 Drive	HC80 and SC80 vended models that have been retrofitted with F8172805 160-Series to PowerFlex 40 Drive Kit; Q-voltage
	F8169417	PowerFlex 40 Drive	HC80, SC80 and UC80 OPL models that have been retrofitted with F8172807 160-Series to PowerFlex 40 Drive Kit; Q-voltage
	F8169418	PowerFlex 40 Drive	HC80, SC80 and UC80 OPL models that have been retrofitted with F8172903 160-Series to PowerFlex 40 Drive Kit; N and P-voltage
2	F200320900	AC Drive Radio Filter Assembly	

Control Module - AC, AL, AX, AY, BC, BL, BX and BY Models Starting 7/14/04

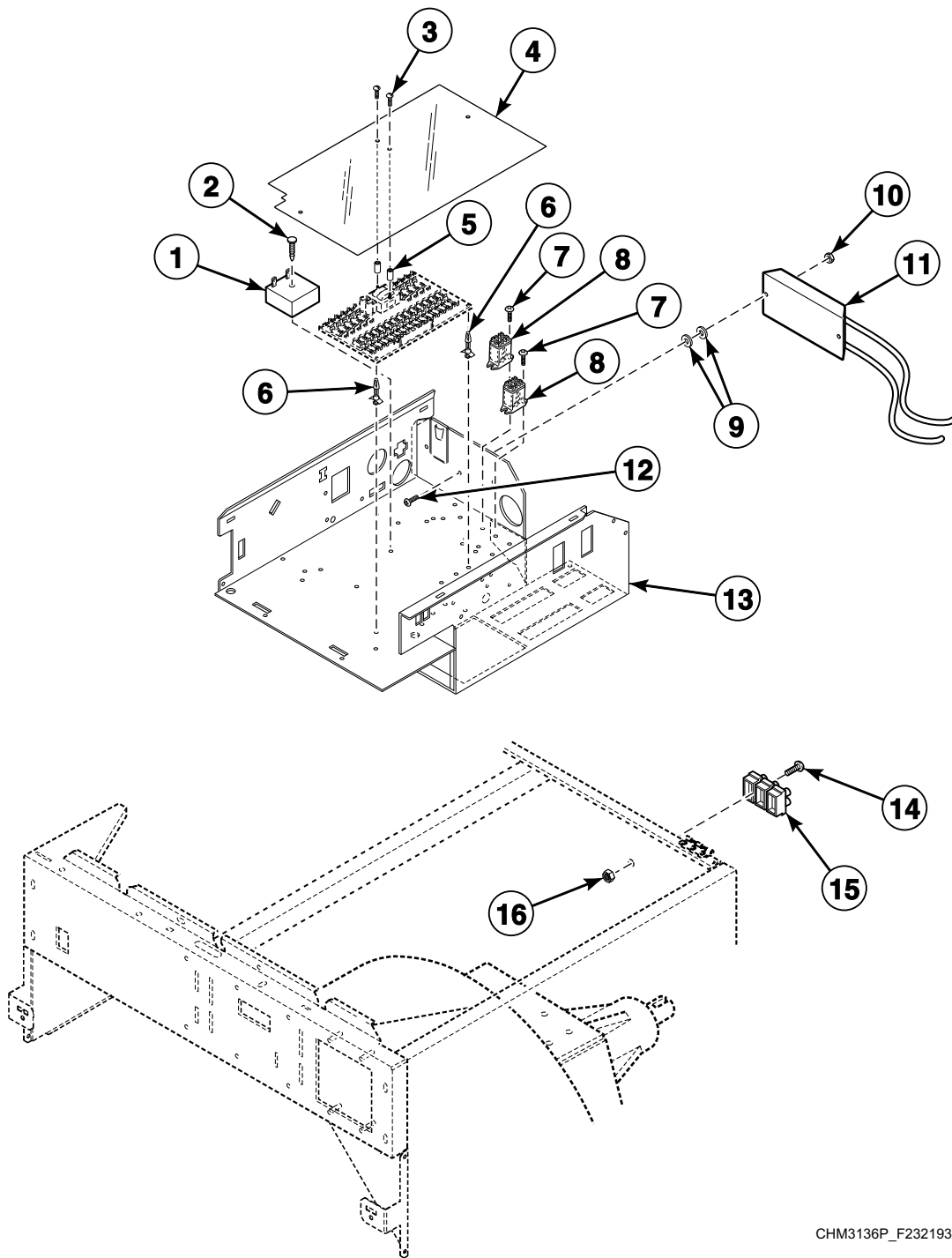


CHM3135P_F232193

Control Module - AC, AL, AX, AY, BC, BL, BX and BY Models Starting 7/14/04

REF	PART NO.	DESCRIPTION	COMMENTS
1	F431215	Pop Rivet	
2	F0320211-00	Capacitor Mounting Bracket	
3	F370225P	Capacitor	
4	F0140941-00	Tubing	Order 1 foot
5	F0330404-00P	Timer	Models through 8/5/05
6	F0432316-00	Ratchet Fastener	Models through 8/5/05
7	F431702	Screw	
8	F0170427-00	Output Board Cover	
9	F431806	Nut	
10	F180501	Standoff	
11	F430909	Screw	
12	F330230	Flange Relay	Models through 8/5/05
13	F0430165-00	Screw	Models through 8/5/05
14	F200296100P	Time Delay Assembly	
15	F431016	Nut	
16	F0637379-00P	AC Drive Resistor Assembly	200 Volt; Includes items 11 and 15
	F0637379-01P	AC Drive Resistor Assembly	400 Volt; Includes items 11 and 15
17	F8195301	Washer	
18	F200100103	Module Box Assembly	
19	F430938	Screw	Used with F140747 Input Power Block
	F430903	Screw	Used with F0140798-00 Input Block
20	F140747	Input Power Block	3 terminal
	F0140798-00P	Input Block	3 terminal; Models with heat or pump
21	F430231	Nut	Used with F140747 Input Power Block
	F430232	Nut	Used with F0140798-00 Input Block

Control Module - AN and BN Models Starting 7/15/04

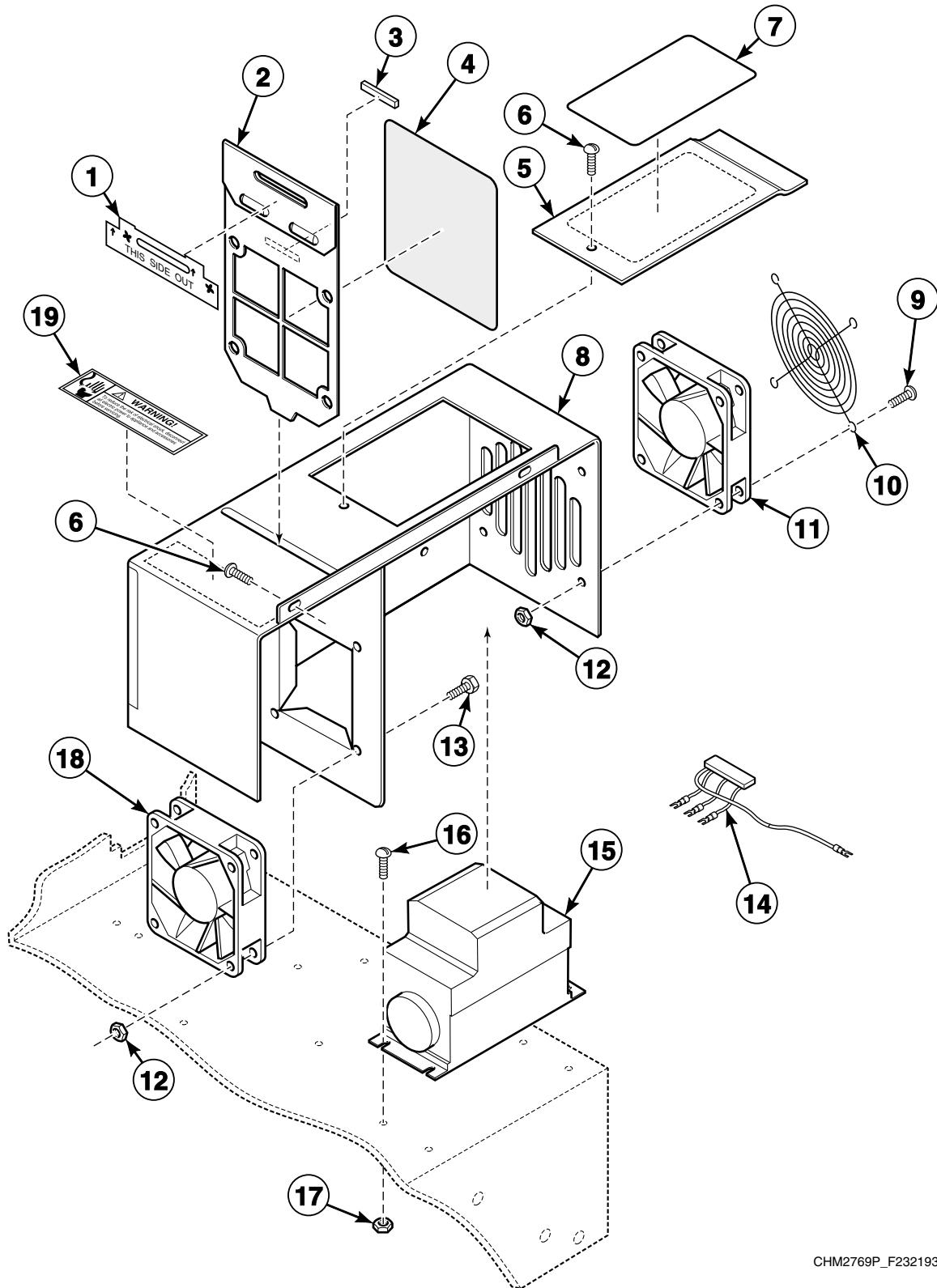


CHM3136P_F232193

Control Module - AN and BN Models Starting 7/15/04

REF	PART NO.	DESCRIPTION	COMMENTS
	F200205802	Main Harness	
1	F0330404-00P	Timer	Models through 2/10/05
2	F0432316-00	Ratchet Fastener	Models through 2/10/05
3	F431702	Screw	
4	F0170427-00	Output Board Cover	
5	F431806	Nut	
6	F180501	Standoff	
7	F0430165-00	Screw	Models through 2/10/05
8	F330230	Flange Relay	Models through 2/10/05
9	F8195301	Washer	
10	F431016	Nut	
11	F0637379-00P	AC Drive Resistor Assembly	200 Volt; Includes items 10 and 12
	F0637379-01P	AC Drive Resistor Assembly	400 Volt; Includes items 10and 12
12	F430909	Screw	
13	F200100102	Module Box Assembly	
14	F430903	Screw	
15	F0140798-00P	Input Block	3 terminal
16	F430232	Nut	

AC Drive Box - A and B Control Models Starting 7/15/04



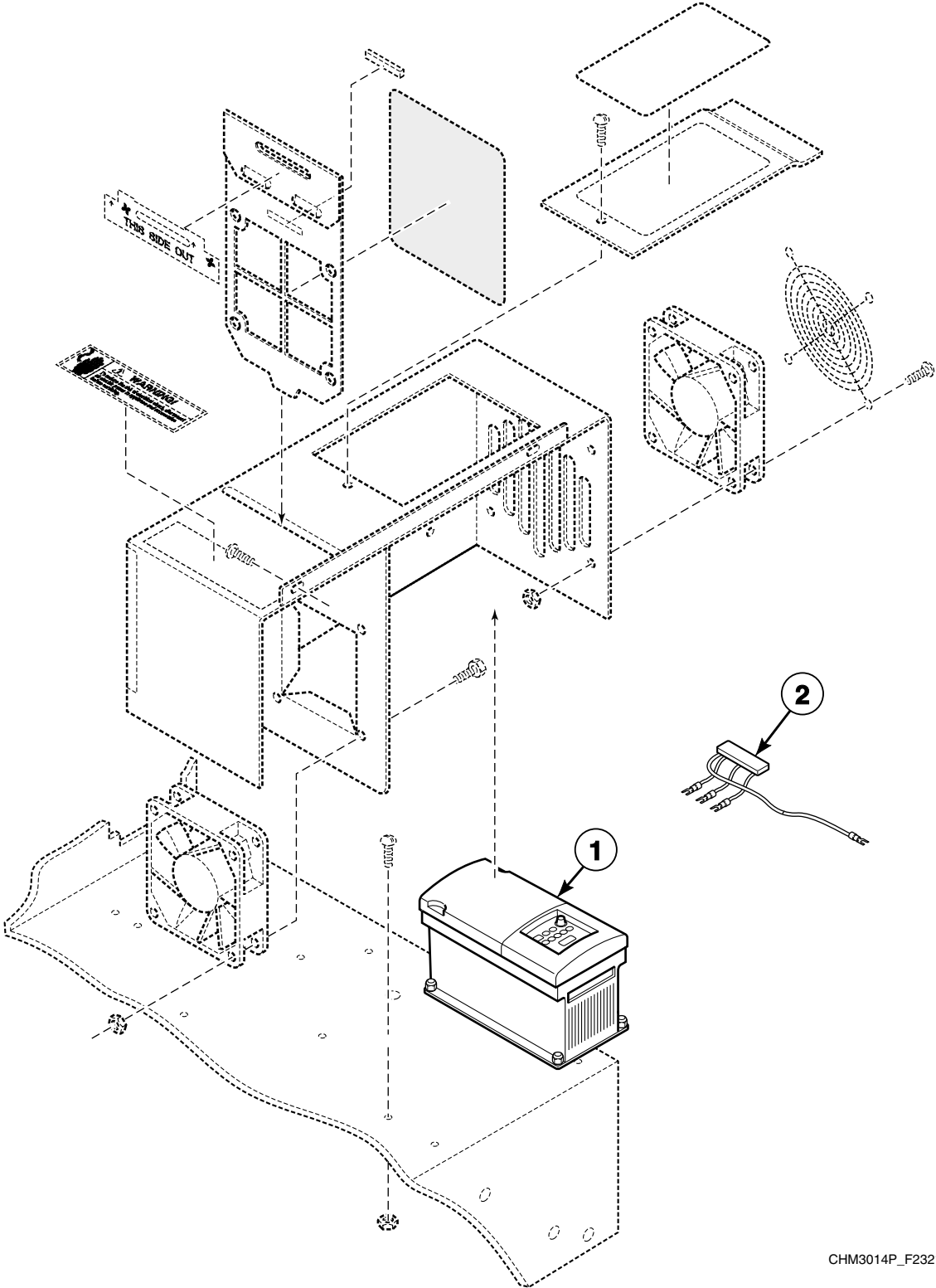
CHM2769P_F232193

AC Drive Box - A and B Control Models Starting 7/15/04

REF	PART NO.	DESCRIPTION	COMMENTS
	F0360159-00P	Line Reactor Kit	Use with F370843 Inverter Drive
	F0360166-00P	Line Reactor Kit	Use with F370844 Inverter Drive
	F200146800P	AC Drive Cover Assembly	Includes items 2, 5, 6, 8-13 and 18
1	F231377	Filter Handle Decal	
2	F8026401P	Air Filter Assembly	Includes items 2-4
3	F140639	Velcro	
4	F0270321-00P	Filter	
5	F200181500	Display Window Cover	
6	F430174	Screw	
7	N/A	AC Drive Module Notice Decal	
8	F200100201	AC Drive Cover Assembly	
9	F430922	Screw	
10	F0220922-00	Fan Guard	
11	F110110	Muffin Fan	
12	F430231	Nut	
13	F430916	Screw	
14	F200320900	AC Drive Radio Filter Assembly	
15	F370843	Inverter Drive	200 Volt
	F370844	Inverter Drive	400 Volt
16	F8535601	Screw	
17	F430232	Nut	
18	F110105	Muffin Fan	
19	505281	Disconnect Power Warning Label	

N/A = Part no longer available

AC Drive - A and B Control Models Starting 7/15/04

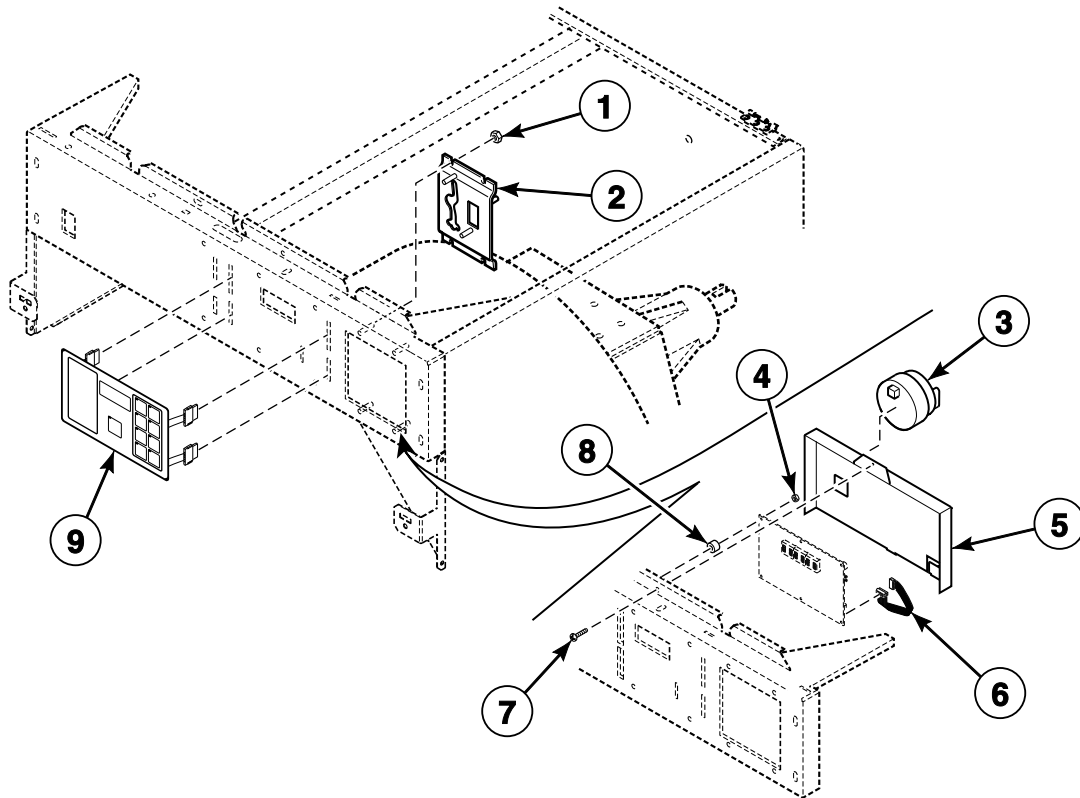


CHM3014P_F232193

AC Drive - A and B Control Models Starting 7/15/04

REF	PART NO.	DESCRIPTION	COMMENTS
	F8172805	160-Series to PowerFlex 40 Drive Kit	HC80 and SC80 vended models with 160-series drive; Q-voltage; Includes AC Drive F8169416
	F8172807	160-Series to PowerFlex 40 Drive Kit	HC80, SC80 and UC80 OPL models with 160-series drive; Q-voltage; Includes AC Drive F8169417
	F8172903	160-Series to PowerFlex 40 Drive Kit	HC80, SC80 and UC80 OPL models with 160-series drive; N and P-voltage; Includes AC Drive F8169418
1	F8169416	PowerFlex 40 Drive	HC80 and SC80 vended models that have been retrofitted with F8172805 160-Series to PowerFlex 40 Drive Kit; Q-voltage
	F8169417	PowerFlex 40 Drive	HC80, SC80 and UC80 OPL models that have been retrofitted with F8172807 160-Series to PowerFlex 40 Drive Kit; Q-voltage
	F8169418	PowerFlex 40 Drive	HC80, SC80 and UC80 OPL models that have been retrofitted with F8172903 160-Series to PowerFlex 40 Drive Kit; N and P-voltage
2	F200320900	AC Drive Radio Filter Assembly	

Coin Meter Mounting Assembly, Water Level Switch and Keypad - A and B Control Models



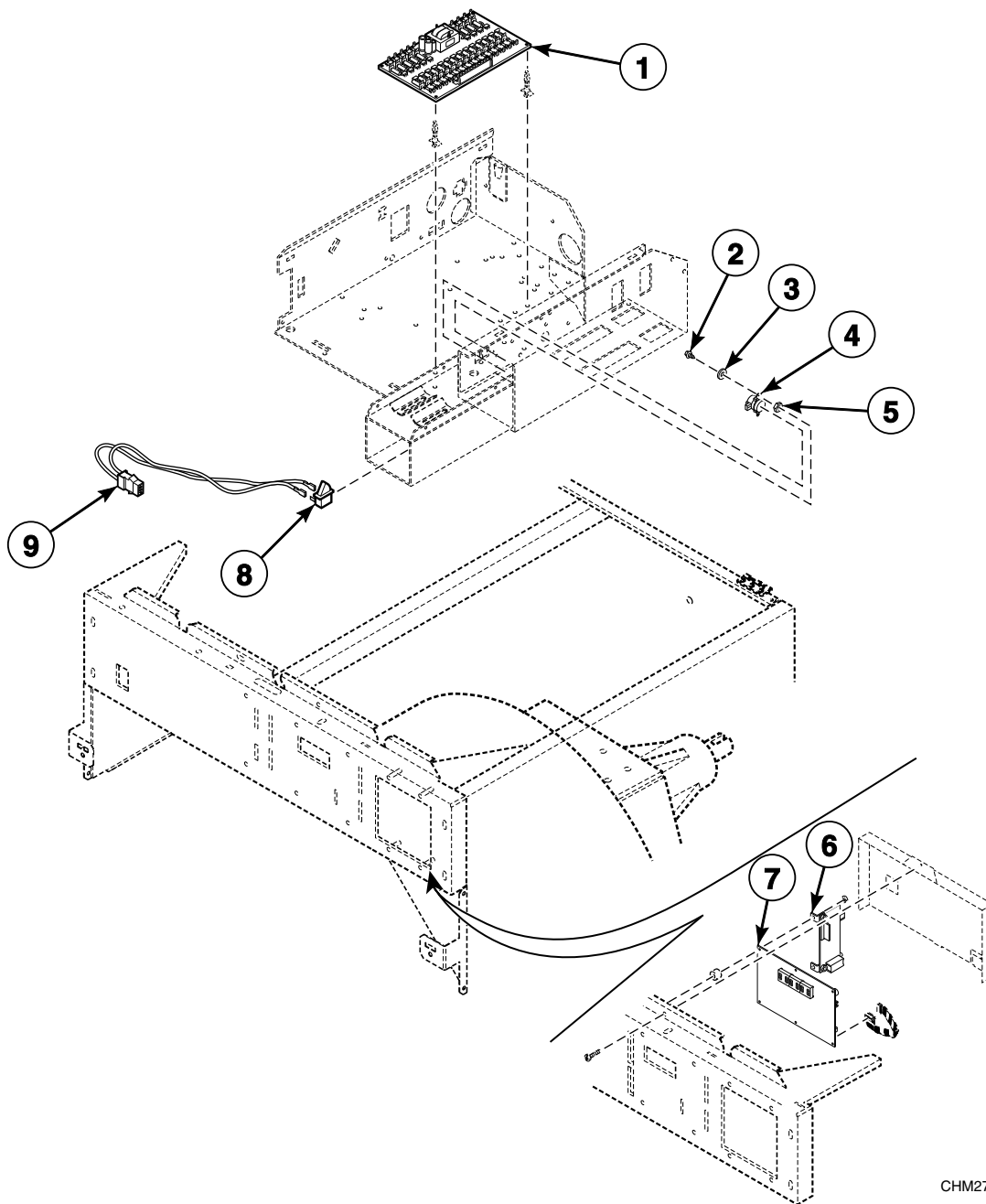
CHM2404P_F232193

Coin Meter Mounting Assembly, Water Level Switch and Keypad - A and B Control Models

REF	PART NO.	DESCRIPTION	COMMENTS
1	685846	Nut	AC, AX, BC and BX models
	F431017	Nut	AN, AY, BN and BY models
2	F0636707-00	Mounting Bracket Assembly	AC, AX, BC and BX single drop models; AN and BN models with an on/off switch
	F635319	Mounting Bracket Assembly	Dual drop; AC, AX, BC and BX models
	F0636445-00	Coin Meter Mounting Kit	Single drop; AC, AX, BC and BX models; Includes item 1
	F0636445-01	Coin Meter Mounting Assembly	Dual drop; AC, AX, BC and BX models; Includes item 1
	F0636445-02	On/Off Switch Assembly	AN and BN models; Includes item 1 and the on/off switch
	F635320	Mounting Bracket Assembly	AY and BY models
	3	F0340351-10P	Water Level Switch
F8223001P		Water Pressure Switch	Heat safety
4	F430231	Nut	
5	F0634903-00	Control Cover	
6	F140219P	Ribbon Cable	Connects the computer to the output board cca
7	F430928	Screw	
8	N/A	Standoff	
9	F0231582-03P	Keypad	Models SC80BCV, SC80BLV, SC80BXV and SC80BYV; English
	F0231582-06P	Keypad	Models SC80BCV, SC80BLV, SC80BXV and SC80BYV; Icon
	F0231582-07P	Keypad	Models HC80BCV, HC80BLV, HC80BXV and HC80BYV; English
	F0231582-01P	Keypad	Models SC80BNV and UC80BNV; English
	F0231582-05P	Keypad	Models SC80BNV and UC80BNV; Icon
	F0231582-08P	Keypad	Model HC80BNV; English
	F8132501P	Keypad	Models SC80ACV, SC80ALV, SC80AXV and SC80AYV; English
	F0231582-16P	Keypad	Models SC80ACV, SC80ALV, SC80AXV and SC80AYV; Icon
	F0231582-17P	Keypad	Models HC80ACV, HC80ALV, HC80AXV and HC80AYV; English
	F0231582-19	Keypad	Models HC80ACV, HC80ALV, HC80AXV and HC80AYV; Icon
	F023158231P	Keypad	Models SC80ANV and UC80ANV; Icon
	F023158232P	Keypad	Model HC80ANV; Icon

N/A = Part no longer available

Output Board CCA, Computer, Interface CCA and Thermostat - A and B Control Models



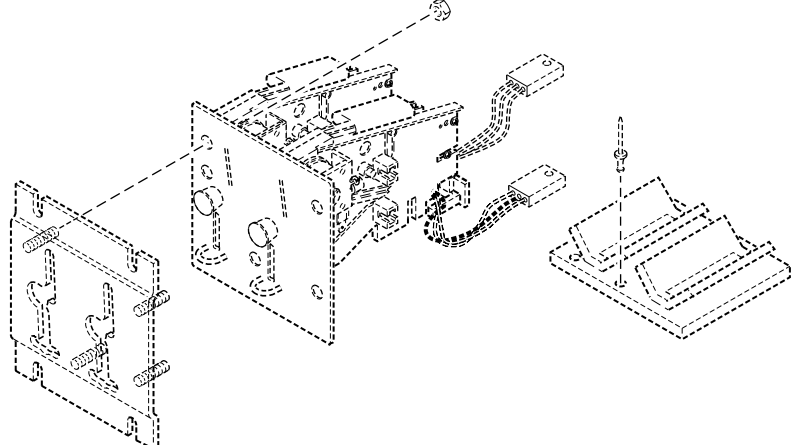
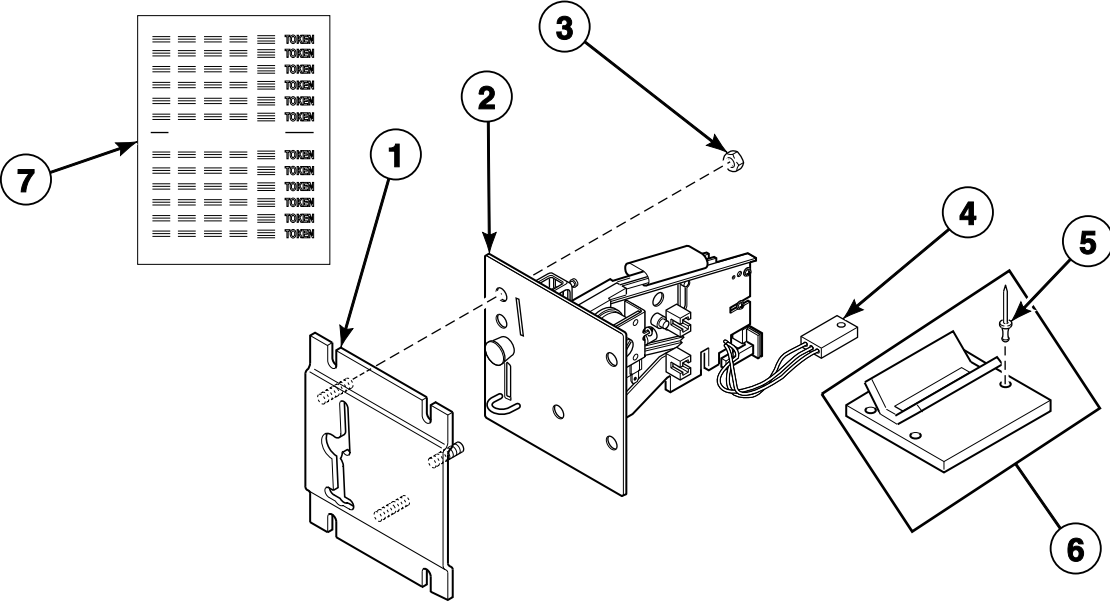
CHM2709P_F232193

Output Board CCA, Computer, Interface CCA and Thermostat - A and B Control Models

REF	PART NO.	DESCRIPTION	COMMENTS
	F200296000P	Computer and Door Lock Harness	Use with F037044860-2 Output CCA
	F200040300P	Communication Box Kit	A-Control HC Models; U.S.
	F200041700P	Communication Box Kit	A-Control HC Models; International
	F200041800P	Communication Box Kit	A-Control SC Models; International
	F200098500P	Communication Box Kit	B-Control HC Models; U.S.
	F200098600P	Communication Box Kit	B-Control SC Models; U.S.
	F200098700P	Communication Box Kit	B-Control SC Models; International
1	F037044860-1	Output CCA	AC, AL, AX, AY, BC, BL, BX and BY models
	F037044860-2	Output CCA	AN and BN models
2	F430928	Screw	
3	F431113	Washer	
4	F0290116-00	Thermostat	
5	F431022	Nut	
6	F200017400P	Interface CCA	AY models
	F200209200	Interface CCA	AC, AL, AX and AY models
	F350108	Fuse	1/8 Amp
	F350109	Fuse	1/2 Amp
	F350110	Fuse	1 Amp
7	F0370455-10P	Computer	BC, BL, BX and BY models
	F0370452-30P	Computer	BN models
	F0370452-31P	Computer	BN models with heat
	F037046530P	Computer	AC, AL and AX models
	F037046532P	Computer	AY models
	F037047530P	Computer	AN models
8	N/A	Switch	AC and AX models
9	F200137700P	Coin Box Audit Harness	AC and AX models

N/A = Part no longer available

Flush Mount Coin Meter Assembly - AC, AX, BC, BX, NC and NX Models; Single Drop



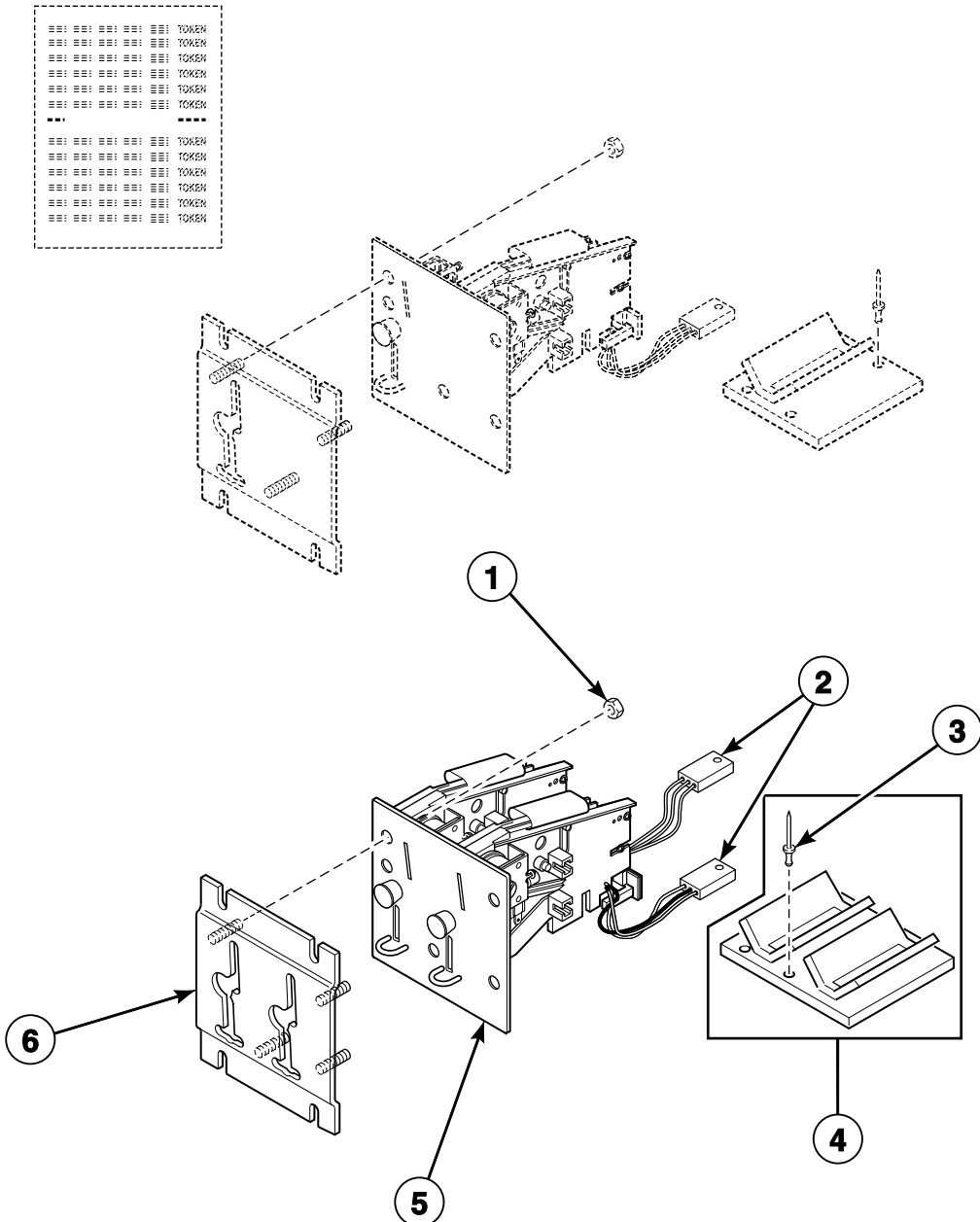
CHM2366P_F232193

Flush Mount Coin Meter Assembly - AC, AX, BC, BX, NC and NX Models; Single Drop

REF	PART NO.	DESCRIPTION	COMMENTS
	F200010000P	Coin Meter Assembly	U.S. \$.25; Includes items 1-3
	F200010006	Coin Meter Assembly	.800 token; Includes items 1-3
	F200010007	Coin Meter Assembly	.880 token; Includes items 1-3
	F200010009	Coin Meter Assembly	.990 token; Includes items 1-3
	F200010011	Coin Meter Assembly	Jeton WH121 token; Includes items 1-3
	F200010012	Coin Meter Assembly	Jeton .08 token; Includes items 1-3
1	F0636707-00	Mounting Bracket Assembly	
2	38464P	Coin Drop Assembly	Canada .25
	N/A	Coin Drop Assembly	Australia .20
	N/A	Coin Drop Assembly	Belgium 5 franc
	N/A	Coin Drop Assembly	Denmark 2 krone
	N/A	Coin Drop Assembly	United Kingdom 20 pence
	N/A	Coin Drop Assembly	France 2 franc
	N/A	Coin Drop Assembly	Hong Kong 5 dollar
	N/A	Coin Drop Assembly	Italy 500 lirraiget
	N/A	Coin Drop Assembly	Japan 100 yen
	N/A	Coin Drop Assembly	Korea 500 won
	N/A	Coin Drop Assembly	South Africa 2 rand
	N/A	Coin Drop Assembly	Spain 100 peseta
	N/A	Coin Drop Assembly	Thailand 10 baht
	N/A	Coin Drop Assembly	.886 token
	N/A	Coin Drop Assembly	1.000 token
	N/A	Coin Drop Assembly	Jeton .08 token
	70441601P	Coin Drop	U.S. \$.25
	38963P	Coin Drop	.800 token
	38462P	Coin Drop Assembly	Token; 118-1; .880 diameter x .079 thick; Brass
	38463	Coin Drop Assembly	Token; 118-5; .990 diameter x .081 thick; Silver
	N/A	Coin Drop Assembly	Jeton WH121 token
	N/A	Coin Meter	Jeton .08 token
	38462P	Coin Drop Assembly	Currency STD-118-1
	38463	Coin Drop Assembly	Currency STD-118-5
	38963P	Coin Drop	Token STD-118-16 not available; Replacement for 38963P Coin Drop only
3	685846	Nut	
4	200674P	Opto Coupler	
5	F431215	Pop Rivet	
6	F200002504P	Coin Guide Assembly	Includes item 5
7	38725	Coin Identification Paper	

N/A = Part no longer available

Flush Mount Coin Meter Assembly - AC, AX, BC, BX, NC and NX Models; Dual Drop



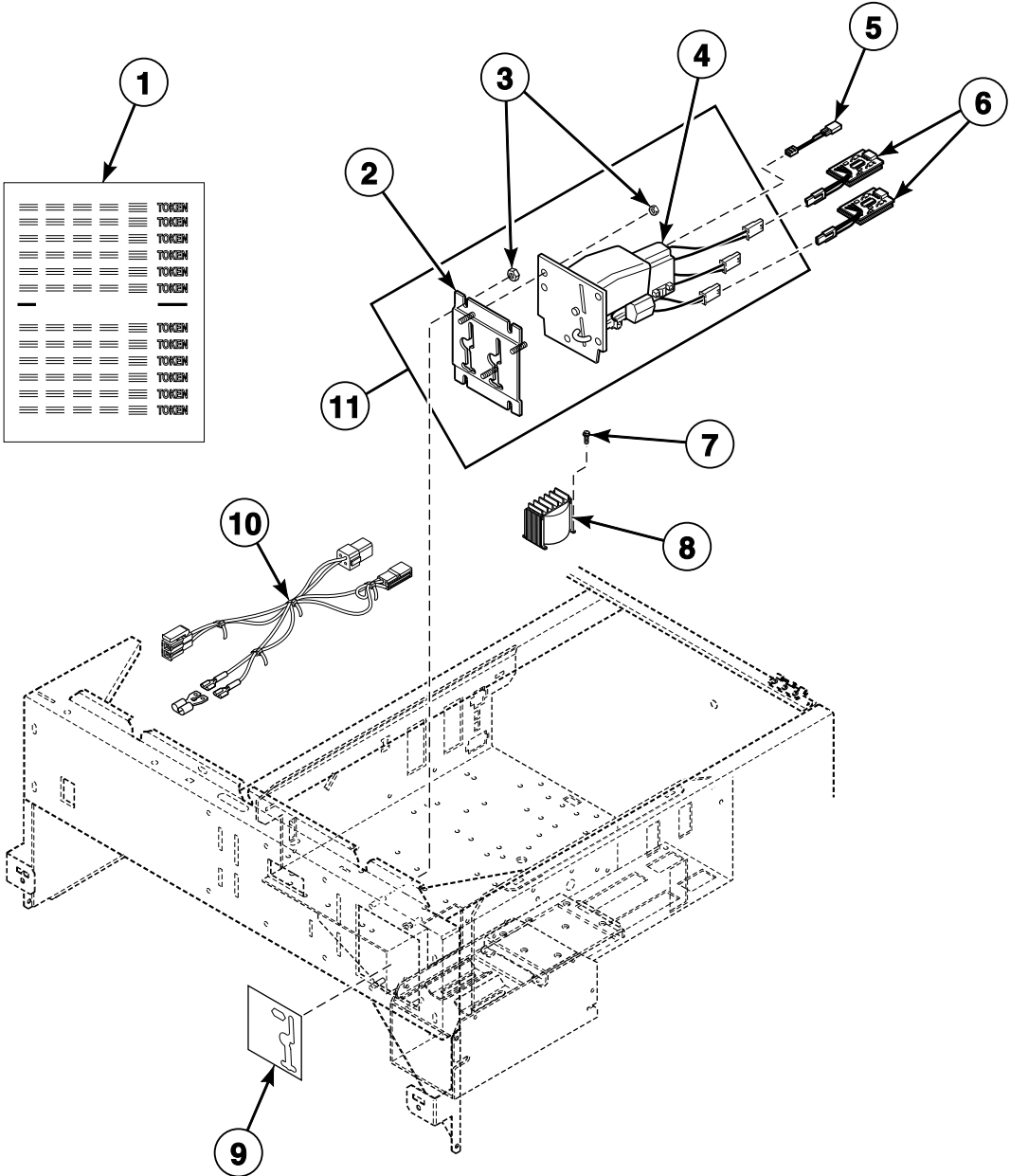
CHM2367P_F232193

Flush Mount Coin Meter Assembly - AC, AX, BC, BX, NC and NX Models; Dual Drop

REF	PART NO.	DESCRIPTION	COMMENTS
	F200010001	Coin Meter Assembly	Australia .20 and 1; Includes items 1, 5 and 6
	F200010002	Coin Meter Assembly	100 and 500 yen; Includes items 1, 5 and 6
	F200010003	Coin Meter Assembly	Canada 1.00 and .25; Includes items 1, 5 and 6
	F200010004	Coin Meter Assembly	New Zealand .20 and 1; Includes items 1, 5 and 6
	F200010005	Coin Meter Assembly	U.S. \$1.00 and .25; Includes items 1, 5 and 6
	F200010008	Coin Meter Assembly	.50 and 2.00 euro; Includes items 1, 5 and 6
	F200010010	Coin Meter Assembly	10 and 50 Taiwan; Includes items 1, 5 and 6
1	685846	Nut	
2	200674P	Opto Coupler	
3	F431215	Pop Rivet	
4	F200002505	Coin Guide Kit	Includes item 3
5	N/A	Coin Meter	10 and 50 Taiwan
	N/A	Coin Meter	Belgium 5 and 20 franc
	N/A	Coin Meter	Denmark 1 and 5 krone
	N/A	Coin Meter	Denmark 5 and 10 krone
	38472	Coin Drop Assembly	United Kingdom 20 pence and 1 pound
	70283102	Coin Drop Assembly	.20 and .50 euro
	210195	Coin Drop Assembly	.20 and 1.00 euro
	210196	Coin Drop Assembly	.50 and 1.00 euro
	N/A	Coin Meter	2 and 5 franc
	N/A	Coin Meter	2 and 10 franc
	39157	Coin Drop Assembly	Israel 1 and 5 shekel
	38521	Coin Drop Assembly	Korea 100 and 500 won
	N/A	Coin Meter	Spain 100 and 500 peseta
	38467	Coin Drop Assembly	Australia .20 and 1
	38519	Coin Drop Assembly	Japan 100 and 500 yen
	70441602	Coin Drop Assembly	Canada 1.00 and .25
	N/A	Coin Drop Assembly	New Zealand .20 and 1
	200731	Coin Drop	U.S. \$1.00
	70256402P	Coin Drop	U.S. \$1.00 and .25
	F0160737-00	Coin Meter	.50 and 2.00 euro
	70281102	Coin Drop Assembly	10 and 50 Taiwan dollar
	CK077	Coin Drop Kit	10 Taiwan dollar
6	F635319	Mounting Bracket Assembly	

N/A = Part no longer available

Electronic Coin Meter Assembly - AC, AX, BC, BX, NC and NX Models



CHM2827P_F232193

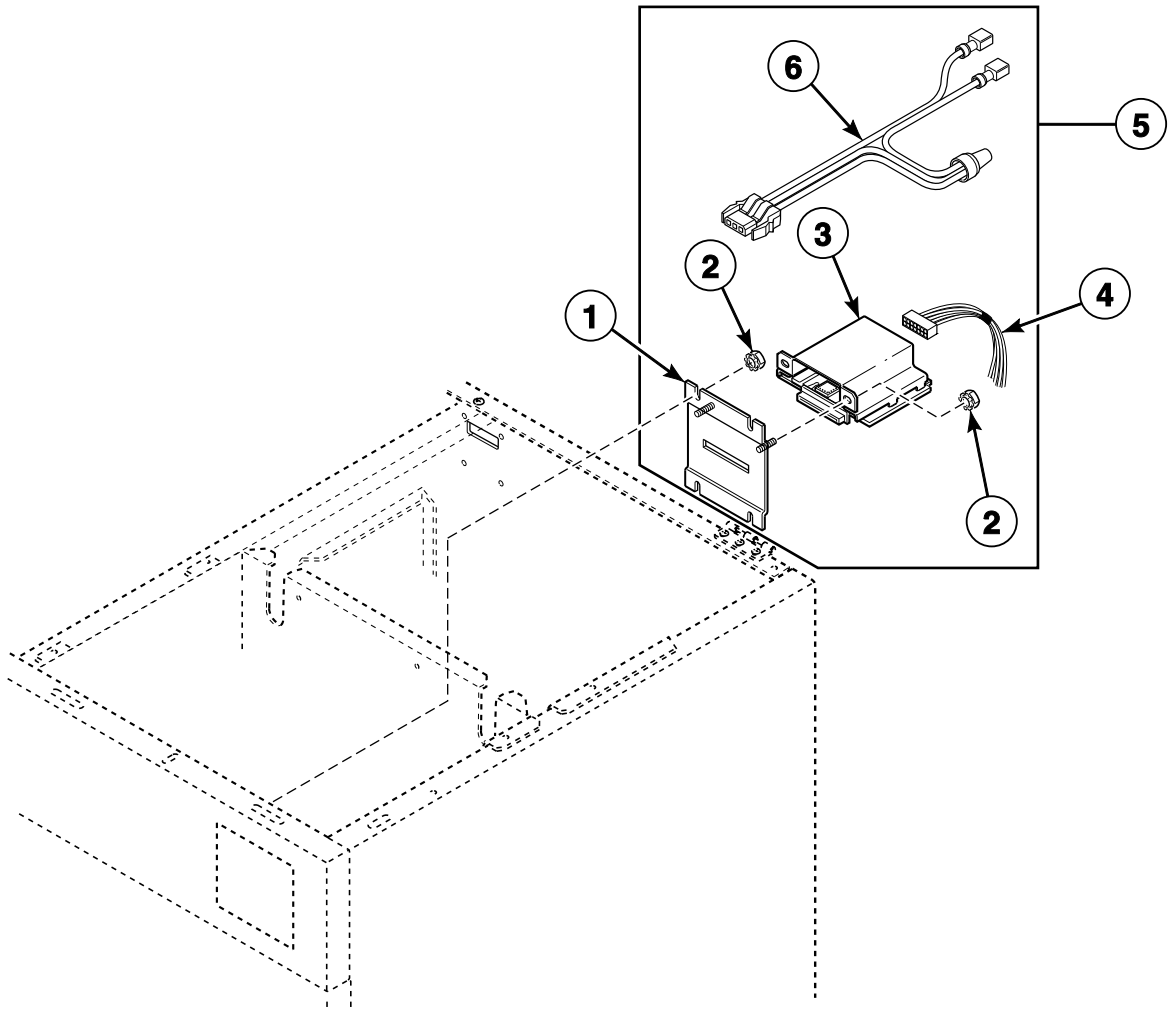
Electronic Coin Meter Assembly - AC, AX, BC, BX, NC and NX Models

REF	PART NO.	DESCRIPTION	COMMENTS
	CK501	Electronic Coin Drop Kit	Includes items 2, 3, 5, 6 and 8-10
1	38725	Coin Identification Paper	
2	F635319	Mounting Bracket Assembly	
3	685846	Nut	
4	CK115	Electronic Coin Drop Kit	U.S. and Canada; Requires CK501 Electronic Coin Drop Kit for installation; *
	CK113	Electronic Coin Drop Kit	Japan and Taiwan; Requires CK501 Electronic Coin Drop Kit for installation; *
	70294105P	Electronic Coin Drop Assembly	Australia, New Zealand, Hong Kong, South Korea and Malaysia
	CK099	Electronic Coin Drop Kit	Australia, New Zealand, Hong Kong, South Korea and Malaysia; Requires CK501 Electronic Coin Drop Kit for installation; *
	70294103P	Electronic Coin Drop Assembly	United Kingdom and euro; Includes 201216 Nut
	CK100	Electronic Coin Drop Kit	United Kingdom and euro; Requires CK501 Electronic Coin Drop Kit for installation; *
	70294104	Electronic Coin Drop Assembly	Denmark, Norway and euro
	CK101	Electronic Coin Drop Kit	Denmark, Norway and euro; Requires CK501 Electronic Coin Drop Kit for installation; *
	70294106	Electronic Coin Drop Assembly	U.S., Ecuador and Mexico
	CK110	Electronic Coin Drop Kit	U.S., Ecuador and Mexico; Requires CK501 Electronic Coin Drop Kit for installation; *
	70294107	Electronic Coin Drop Assembly	Euro, Latvia and Lithuania
	CK103	Electronic Coin Drop Kit	Euro, Latvia and Lithuania; Requires CK501 Electronic Coin Drop Kit for installation; *
	70294111	Electronic Coin Drop Assembly	.10 - 2.00 Euro
	CK109	Electronic Coin Drop Kit	.10 - 2.00 Euro; Requires CK501 Electronic Coin Drop Kit for installation; *
5	F8035701	Capacitor	AC, AX, BC and BX models
6	F8034701P	Pulse Expander Assembly	AC, AX, BC and BX models
7	N/A	Screw	
8	803527P	Transformer	
9	70295101	Overlay	SC models; Black
	70295301	Overlay	HC models; Gray
10	F200008700	Access Transformer Harness	
11	F200021600P	Coin Meter Assembly	U.S., Canada, Japan and Taiwan; Includes items 2-4; CK501 Electronic Coin Drop Kit required for installation
	F200021601	Coin Meter Assembly	Australia, New Zealand, Hong Kong, South Korea and Malaysia; Includes items 2-4; CK501 Electronic Coin Drop Kit required for installation
	F200021602	Coin Meter Assembly	United Kingdom and euro; Includes items 2-4; CK501 Electronic Coin Drop Kit required for installation
	F200021603	Coin Meter Assembly	Denmark, Norway and euro; Includes items 2-4; CK501 Electronic Coin Drop Kit required for installation
	F200021604	Coin Meter Assembly	U.S., Ecuador and Mexico; Includes items 2-4; CK501 Electronic Coin Drop Kit required for installation
	F200021605	Coin Meter Assembly	Euro, Latvia and Lithuania; Includes items 2-4; CK501 Electronic Coin Drop Kit required for installation

N/A = Part no longer available

*** NOTE: Electronic coin drop kits include item 1, 201091 Overlay, 201104 Harness, 201216 Nut, 201572 Clip, 29786 Nut, electronic coin drop assembly and instruction**

Card Reader - Model SC80NRV

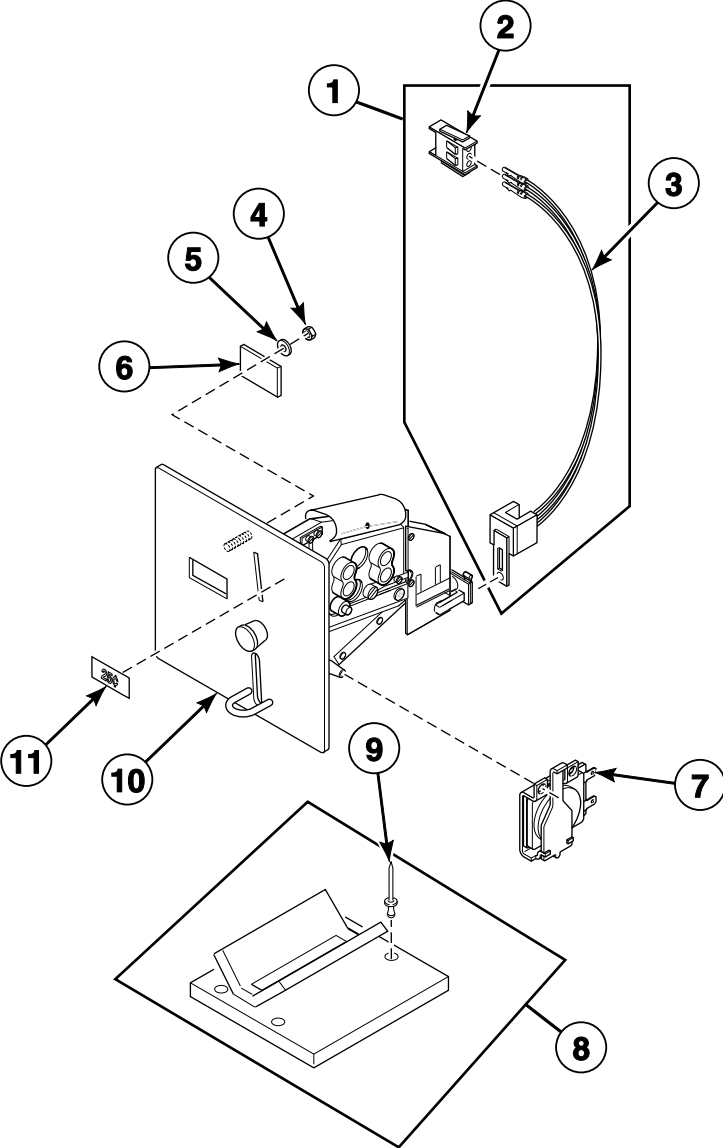


CHM2388P_F232193

Card Reader - Model SC80NRV

REF	PART NO.	DESCRIPTION	COMMENTS
1	F635320	Mounting Bracket Assembly	
2	F431017	Nut	
3	510068P	Card Reader and Bracket Assembly	
4	F141887	Card Reader Harness	Non-network models
	F141889	Card Reader Harness	Network models
5	F200019900	Card Reader Assembly	Non-network models; Includes items 1-4 and 6
	F200019901	Card Reader Assembly	Network models; Includes items 1-4 and 6
6	F631973-2	Harness	Access

W2000 Coin Meter Assembly - VC and VX Models; Single Drop



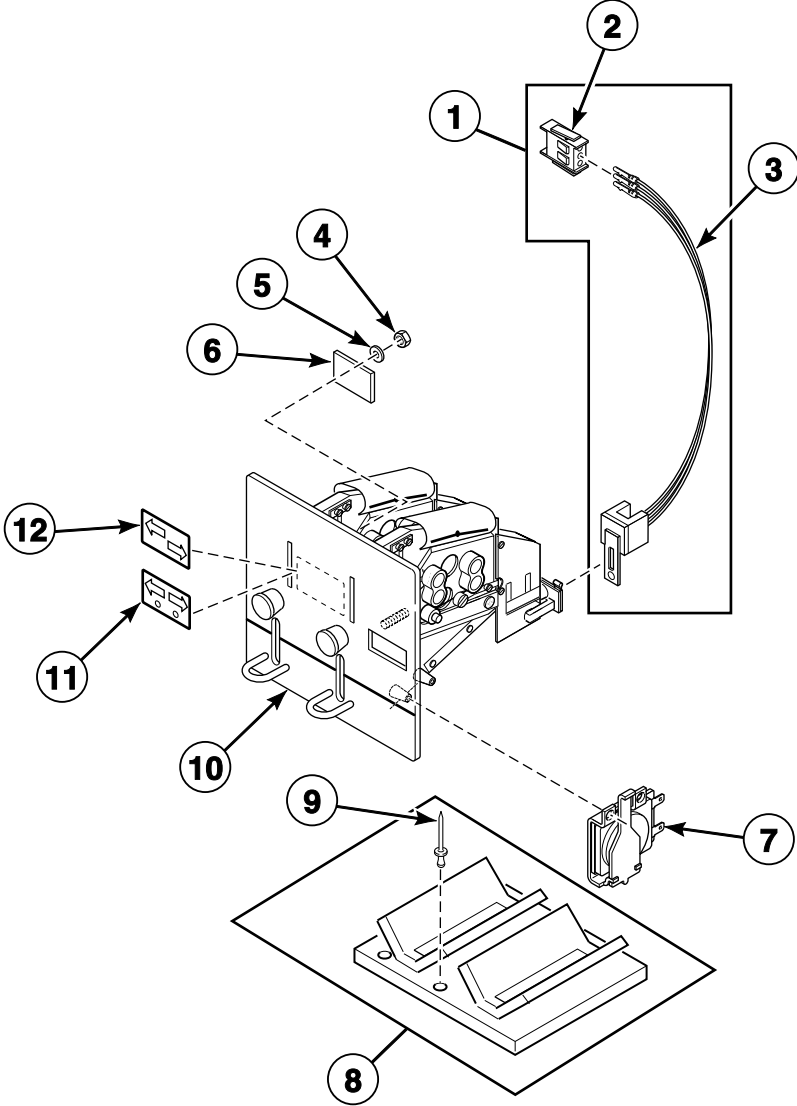
CHM2934P_F232193

W2000 Coin Meter Assembly - VC and VX Models; Single Drop

REF	PART NO.	DESCRIPTION	COMMENTS
1	F775801-03P	Optic Switch Kit	
2	F140571	Male Connector	
3	00430	Female Pin Terminal	
4	F430243	Nut	
5	N/A	Washer	
6	F608925	Coin Meter Insert	
7	F160466P	Coin Meter Blocking Coil	120 Volt
	F160467P	Coin Meter Blocking Coil	220 Volt
8	F200002502P	Coin Guide Assembly	Includes item 8
9	F431215	Pop Rivet	
10	F200003800P	Coin Meter Assembly	U.S. \$.25; 120 Volt; Includes items 1-6 and F775302-03 Coin Meter Kit
	F200003801	Coin Meter Assembly	10 Taiwan; 120 Volt; Includes items 1-6 and F200115001 Coin Meter Assembly
	F200003802P	Coin Meter Assembly	.880 token; 220 Volt; Includes items 1-6 and F160692 Coin Meter
	F200003803	Coin Meter Assembly	.990 token; 120 Volt; Includes items 1-6 and F200115003 Coin Meter Assembly
	F200003805	Coin Meter Assembly	.990 token; 220 Volt; Includes items 1-6 and F160717 Coin Meter
	F200003806P	Coin Meter Assembly	U.S. \$.25; 220 Volt; Includes items 1-6, 10 and F160718 Coin Meter
	F200003807	Coin Meter Assembly	.08 jeton; 220 Volt; Includes items 1-6 and F160719 Coin Meter
	F200003808	Coin Meter Assembly	.800 token; 120 Volt; Includes items 1-6 and F160735 Coin Meter
	F200003809	Coin Meter Assembly	500 wan and yen; 120 Volt; Includes items 1-6 and F0160739-00 Coin Meter
	F200003810	Coin Meter Assembly	.800 token; 220 Volt; Includes items 1-6
	F200003811	Coin Meter Assembly	500 wan and yen; 220 Volt; Includes items 1-6
	F200003812	Coin Meter Assembly	10 Taiwan; 220 Volt; Includes items 1-6
11	F231010	Coin Meter Insert Decal	\$.25 insert

N/A = Part no longer available

W2000 Coin Meter Assembly - VC and VX Models; Dual Drop



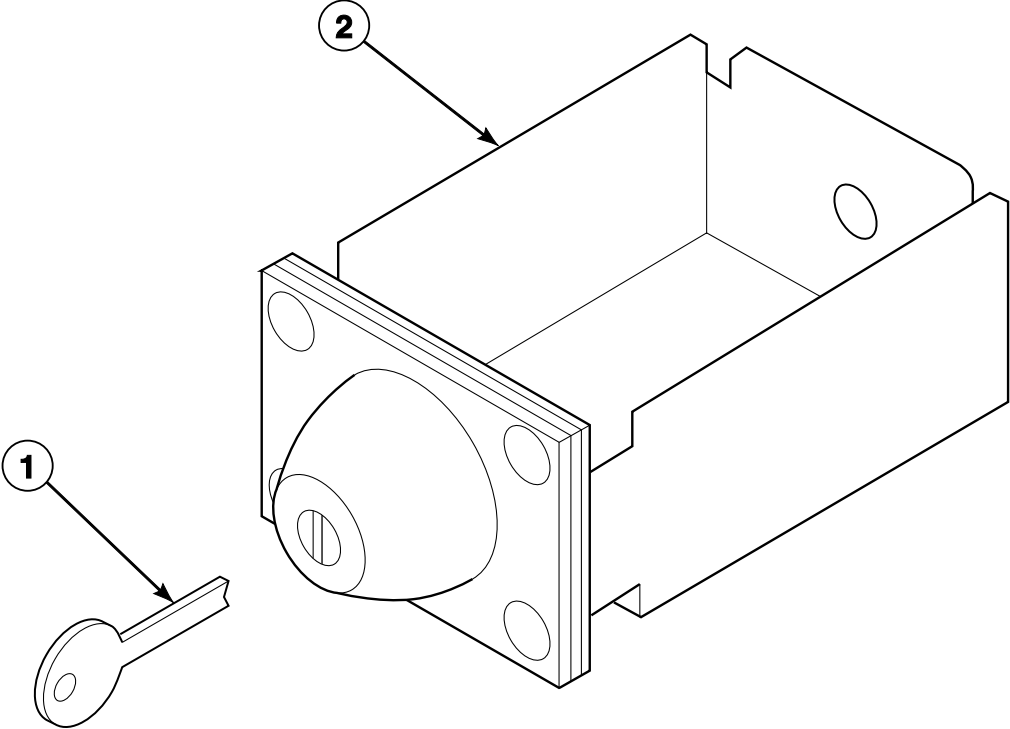
CHM2933P_F232193

W2000 Coin Meter Assembly - VC and VX Models; Dual Drop

REF	PART NO.	DESCRIPTION	COMMENTS
1	F775801-03P	Optic Switch Kit	
2	F140571	Male Connector	
3	00430	Female Pin Terminal	
4	F430243	Nut	
5	N/A	Washer	
6	F608925	Coin Meter Insert	
7	F160466P	Coin Meter Blocking Coil	120 Volt
	F160467P	Coin Meter Blocking Coil	220 Volt
8	F200002503	Coin Guide Assembly	Includes item 8
9	F431215	Pop Rivet	
10	F200005200	Coin Meter Assembly	U.K. 1 pound and 20 pence; 220 Volt; Includes items 1-6 and F160691 Coin Meter
	F200005201	Coin Meter Assembly	100 and 500 yen; 120 Volt; Includes items 1-6 and F160693 Coin Meter
	F200005202	Coin Meter Assembly	1 and 5 krona; 220 Volt; Includes items 1-6 and F160694 Coin Meter
	F200005203	Coin Meter Assembly	Australia 1.00 and .20; 220 Volt; Includes items 1-6 and F160695 Coin Meter
	F200005204	Coin Meter Assembly	1 and 5 rand; 220 Volt; Includes items 1-6 and F160698 Coin Meter
	F200005205	Coin Meter Assembly	1 and 5 shekel; 220 Volt; Includes items 1-6 and F160715 Coin Meter
	N/A	Coin Meter Assembly	U.S. \$1.00 and .25; 120 Volt; Includes items 1-6, 10 and F0160730-00 Coin Meter
	F200005207	Coin Meter Assembly	100 and 500 peseta; 220 Volt; Includes items 1-6
	F200005208	Coin Meter Assembly	.50 and 2.00 euro; 220 Volt; Includes items 1-6, 11 and F0160736-00 Coin Meter
	F200005209	Coin Meter Assembly	Canada \$1.00 and .25; 120 Volt; Includes items 1-6, 10 and F0160740-00 Coin Meter
	F200005210	Coin Meter Assembly	U.S. \$1.00 and .25; 220 Volt; Includes items 1-6 and 10
	F200005211	Coin Meter Assembly	Canada \$1.00 and .25; 220 Volt; Includes items 1-6 and 10
F200005212	Coin Meter Assembly	100 and 500 yen; 220 Volt; Includes items 1-6	
11	F0231595-00	Coin Meter Decal	\$1/.25
12	N/A	Coin Meter Decal	.50/2.00 euro

N/A = Part no longer available

Optional Coin Box



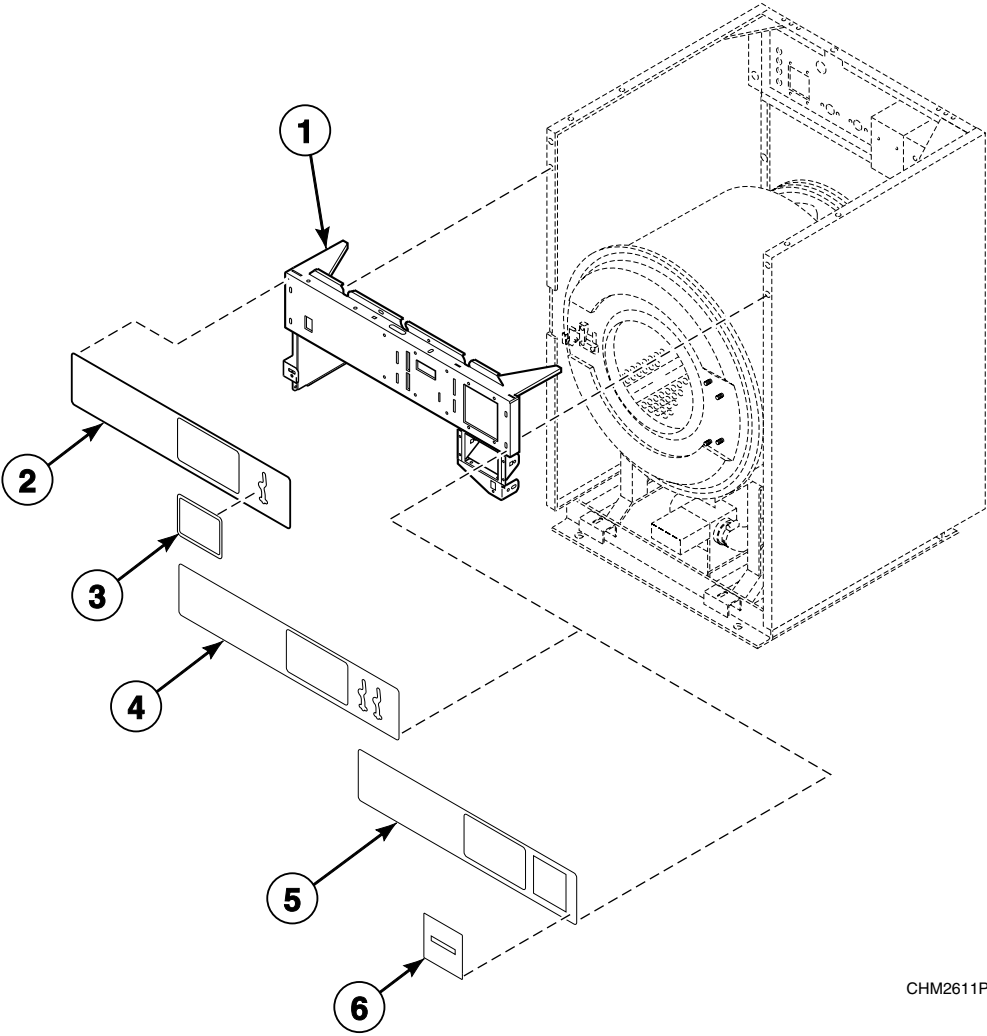
CHM1764P_F232193

Optional Coin Box

REF	PART NO.	DESCRIPTION	COMMENTS
1	F160420	Key	UG21
	F160421	Key	UG22
	N/A	Key	UG23
	F160423	Key	UG24
	N/A	Key	UG25
2	F160672	Coin Box	UG21
	F160673	Coin Box	UG22
	N/A	Coin Box	UG23
	N/A	Coin Box	UG24
	N/A	Coin Box	UG25

N/A = Part no longer available

Control Panel Assembly and Control Panel Decals - AC, AL, AX, AY, BC, BL, BX and BY Models



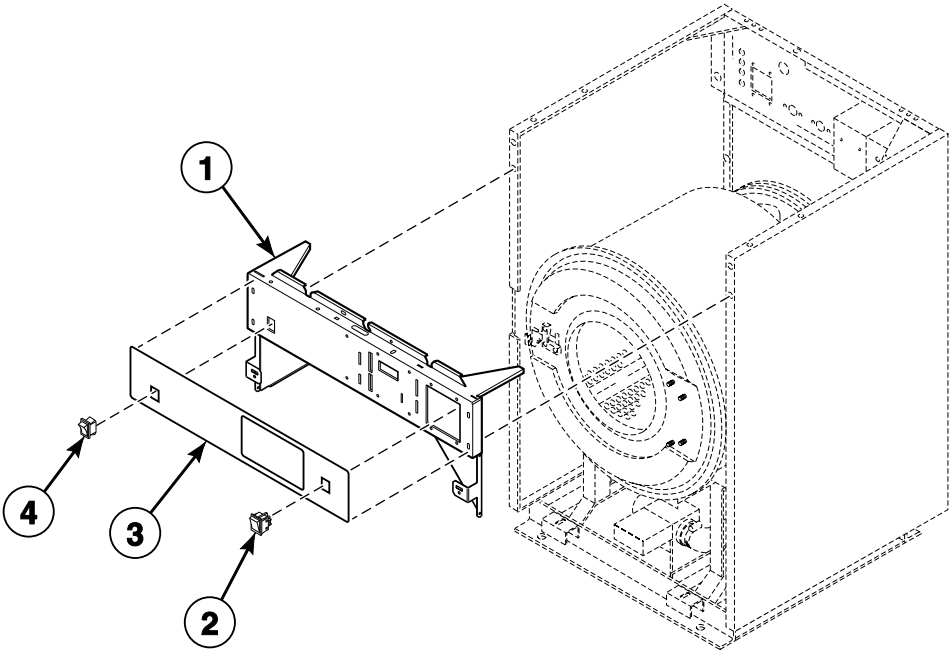
CHM2611P_F232193

Control Panel Assembly and Control Panel Decals - AC, AL, AX, AY, BC, BL, BX and BY Models

REF	PART NO.	DESCRIPTION	COMMENTS
1	F0636541-00	Control Panel Assembly	
2	F0231606-51	Control Panel Decal	Models SC80ACV, SC80ALV, SC80AXV, SC80AYV, SC80BCV, SC80BLV, SC80BXV and SC80BYV; Single coin drop
	N/A	Control Panel Decal	Models SC80ACV, SC80ALV, SC80AXV, SC80AYV, SC80BCV, SC80BLV, SC80BXV and SC80BYV; Single coin drop; Icon
	F0231589-51	Control Panel Decal	Models HC80ACV, HC80ALV, HC80AXV, HC80AYV, HC80BCV, HC80BLV, HC80BXV and HC80BYV; Single coin drop
3	70246301	Coin Cover Overlay	Models SC80ALV and SC80BLV
4	F0231606-52	Control Panel Decal	Models SC80ACV, SC80ALV, SC80AXV, SC80AYV, SC80BCV, SC80BLV, SC80BXV and SC80BYV; Dual coin drop
	F0231589-52	Control Panel Decal	Models HC80ACV, HC80ALV, HC80AXV, HC80AYV, HC80BCV, HC80BLV, HC80BXV and HC80BYV; Dual coin drop
5	F0231606-53	Control Panel Decal	Models SC80AYV and SC80BYV
	F0231589-53	Control Panel Decal	Models HC80AYV and HC80BYV
6	F200116200	Overlay Decal	Model HC80AYV
	F200116201	Overlay Decal	Model SC80AYV

N/A = Part no longer available

Control Panel Assembly, Controls and Control Panel Decals - AN and BN Models



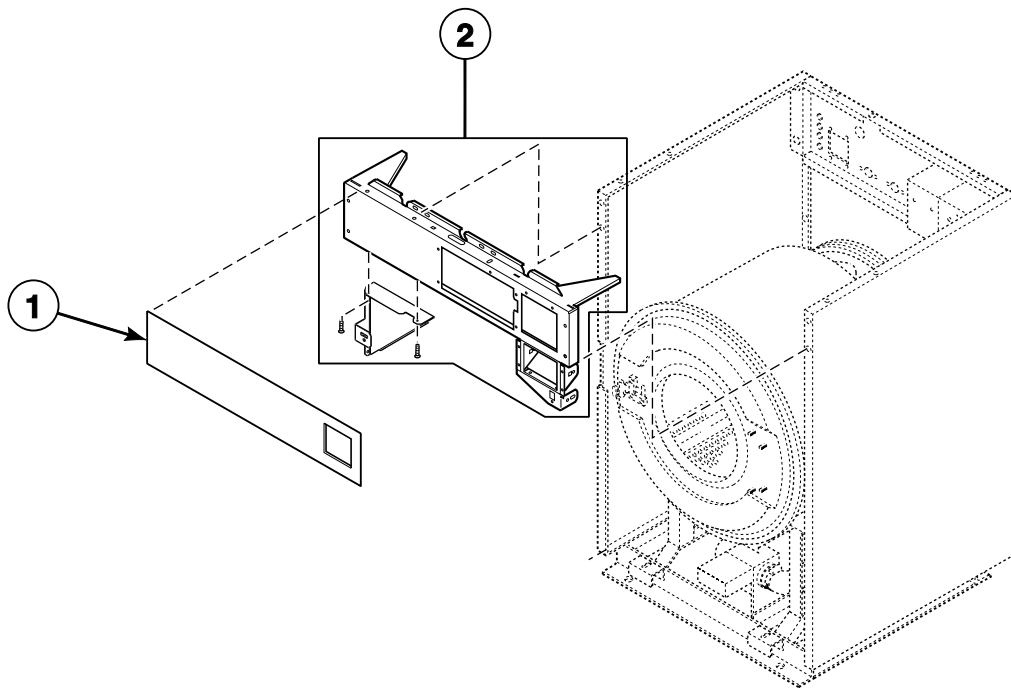
CHM2552P_F232193

Control Panel Assembly, Controls and Control Panel Decals - AN and BN Models

REF	PART NO.	DESCRIPTION	COMMENTS
1	N/A	Control Panel Assembly	
2	F340411	Rocker Switch	Red
3	F0231616-51	Control Panel Decal	Models SC80ANV and SC80BNV
	F0231593-51	Control Panel Decal	Models HC80ANV and HC80BNV
	F0231613-51	Control Panel Decal	Models UC80ANV and UC80BNV
4	F200120100	Momentary Switch	Models through 5/26/04
	F340412	Momentary Switch	Models starting 5/27/04

N/A = Part no longer available

Control Panel Assembly and Control Panel Decals - NC, NR, NX, NY, VC and VX Models



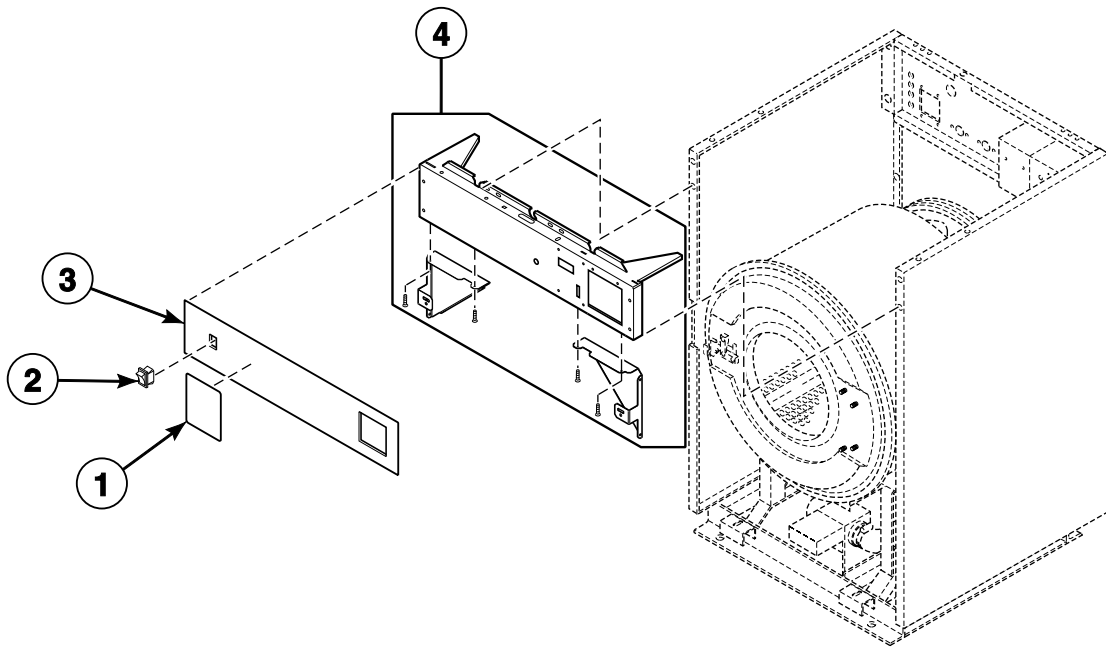
CHM2908P_F232193

Control Panel Assembly and Control Panel Decals - NC, NR, NX, NY, VC and VX Models

REF	PART NO.	DESCRIPTION	COMMENTS
1	F231524-1	Control Decal	Model SC80NCV; Single drop
	F231524-2	Control Decal	Model SC80NCV; Dual drop
	F231524-3	Control Panel Decal	Model SC80NXV
	F0231440-00	Control Panel Decal	Models SC80NRV and SC80NYV
	N/A	Control Panel Decal	Models HC80VCV and HC80VXV
2	N/A	Control Panel Assembly	Models HC80VCV and HC80VXV
	N/A	Control Panel Assembly	Models DC80NCV, SC80NCV, SC80NRV, SC80NXV and SC80NYV

N/A = Part no longer available

Control Panel Assembly and Control Panel Decals - VN Models



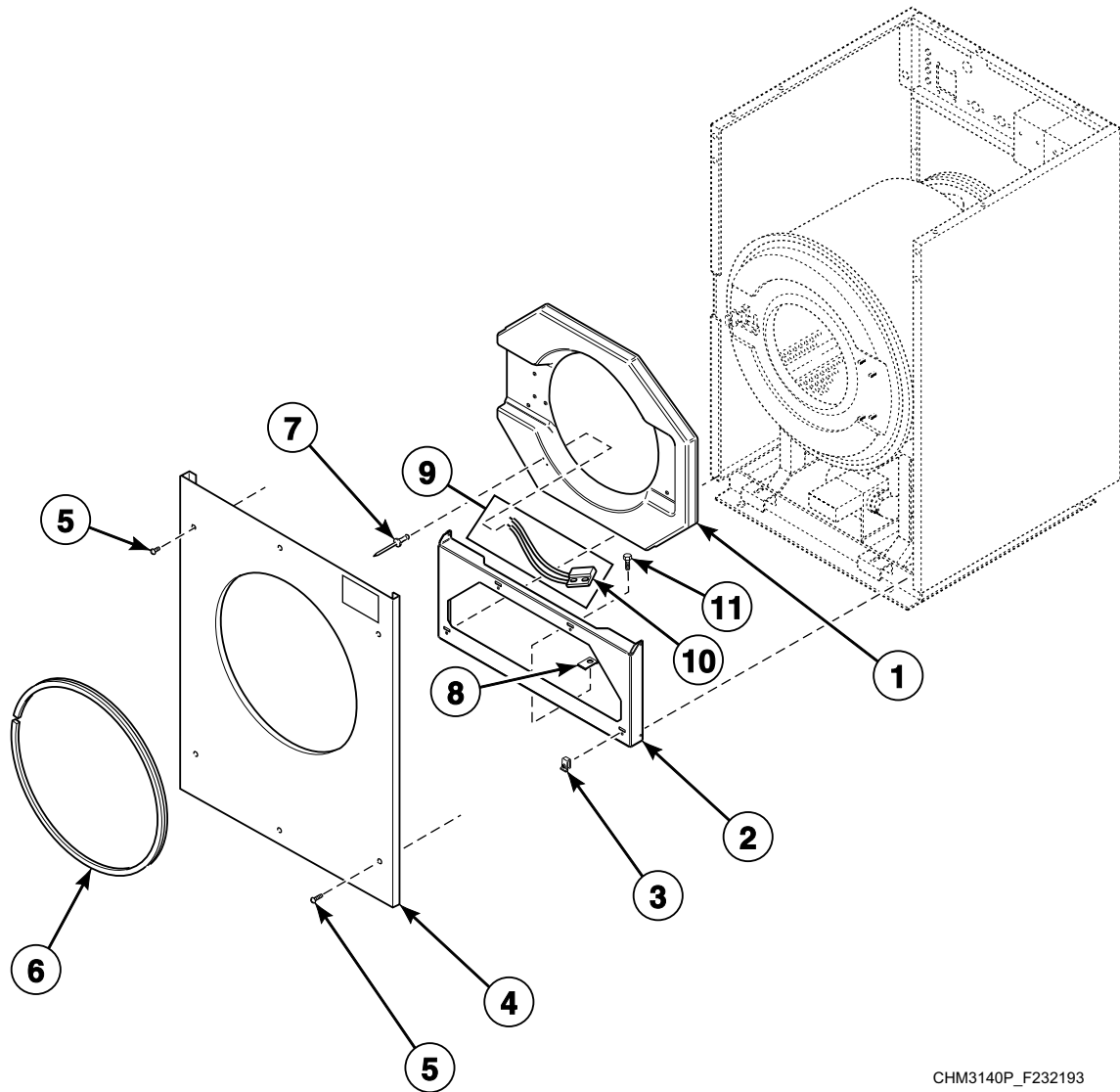
CHM3137P_F232193

Control Panel Assembly and Control Panel Decals - VN Models

REF	PART NO.	DESCRIPTION	COMMENTS
1	F231404	Overlay	Model SC80VNV
	F231402	Overlay	Model UC80VNV
	N/A	Overlay	Model HC80VNV
2	F340412	Momentary Switch	
3	F231471	Control Panel Decal	Model SC80VNV
	F231494	Control Panel Decal	Model UC80VNV
	F231549	Control Panel Decal	Model HC80VNV
4	N/A	Control Panel Assembly	

N/A = Part no longer available

Inner and Outer Front Panels



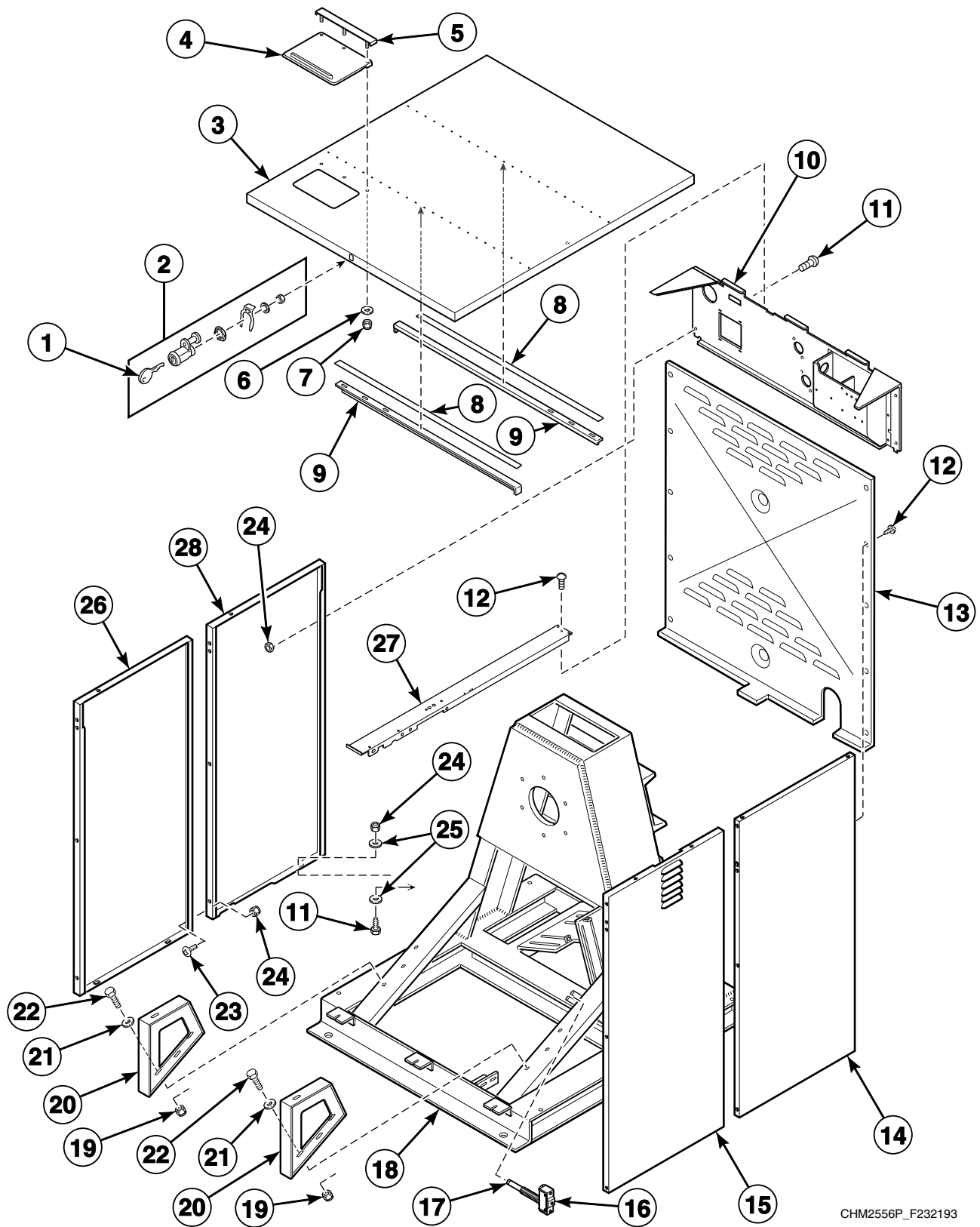
CHM3140P_F232193

Inner and Outer Front Panels

REF	PART NO.	DESCRIPTION	COMMENTS
1	F170419-2	Door Bezel	HC models
	F170419-1	Door Bezel	SC and UC models
2	F634804	Front Cabinet Brace	
3	F430264	Nut	
4	F8200702P	Front Panel	AL, AN, AY, BL, BN, BY, NY and VN models; Stainless steel
	F8200701P	Front Panel	AC, AX, BC, BX, NC, NR, NX, VC and VX models; Stainless steel
	F634688-2	Front Panel	AC, AX, BC, BX, NC, NR, NX, VC and VX models; Almond
	F634688-5	Front Panel	AC, AX, BC, BX, NC, NR, NX, VC and VX models; White
	N/A	Front Panel	AL, AN, AY, BL, BN, BY, NY and VN models; Almond
	F634818-5P	Front Panel	AL, AN, AY, BL, BN, BY, NY and VN models; White
5	F430956	Screw	
6	F015050100P	Trim	Models through 4/29/08; Requires F8142701 Adhesive for installation
7	J1111905	Blind Rivet	
8	F430264	Nut	
9	F200321300	Magnetic Switch Assembly	Includes item 10
10	F0340723-00	Magnetic Switch	
11	F430174	Screw	

N/A = Part no longer available

Cover Panels and Frame

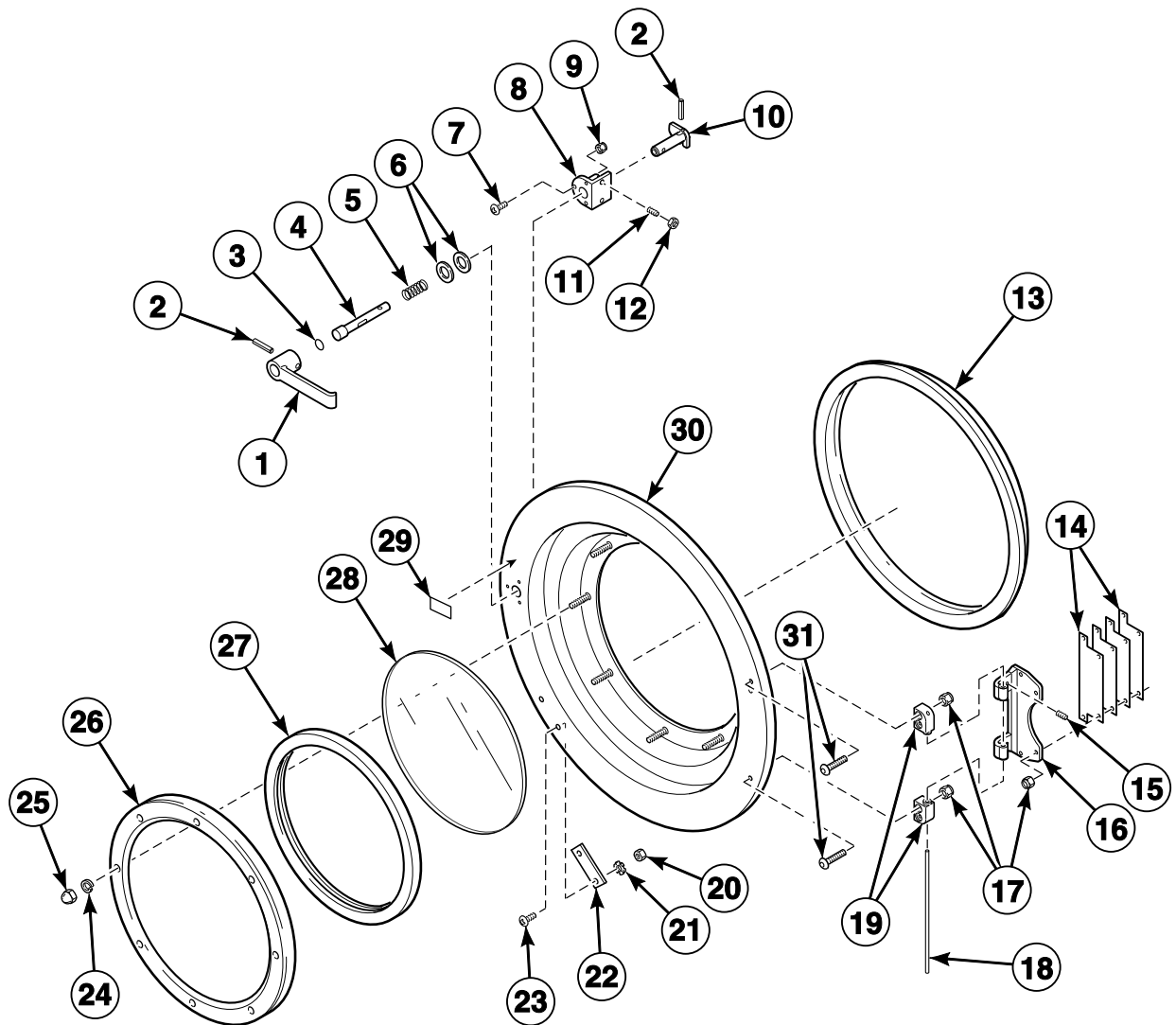


CHM2556P_F232193

Cover Panels and Frame

REF	PART NO.	DESCRIPTION	COMMENTS
1	70155603	Key	
2	F0190808-00P	Lid Lock Pin	
3	F0636545-00P	Top Cover Assembly	Includes items 2, 4 and 5-9
4	F200270500	Supply Dispenser Lid	Gray
5	F630430	Lid Clamp Assembly	
6	F431147	Washer	
7	F431024	Nut	
8	F410212	Double-Coated Tape	Order 8 feet
9	F603980	Top Cover Stiffener	
10	F0636543-00	Valve Panel Assembly	
11	F430108	Screw	
12	F430174	Screw	
13	F603976	Rear Panel	
14	F0636546-00	Right Side Panel	Rear
15	F200218100	Side Panel Assembly	Right front; NC, NR, NX, NY, VC, VN and VX models
	F200180200	AC Drive Side Panel Assembly	Right front; AC, AL, AN, AX, AY, BC, BL, BN, BX and BY models
16	F340901	Switch	
17	F340913	Switch Extension	
18	F633673	Frame Assembly	
19	20274	Nut	
20	F603947	Support	
21	M400081	Washer	
22	800461	Screw	
23	F430925	Screw	
24	F430215	Nut	
25	F430317	Washer	
26	F0636547-00	Left Side Panel	Front
27	F0636549-00	Cabinet Top Brace	
28	F0636548-00	Left Side Panel	Rear

Door

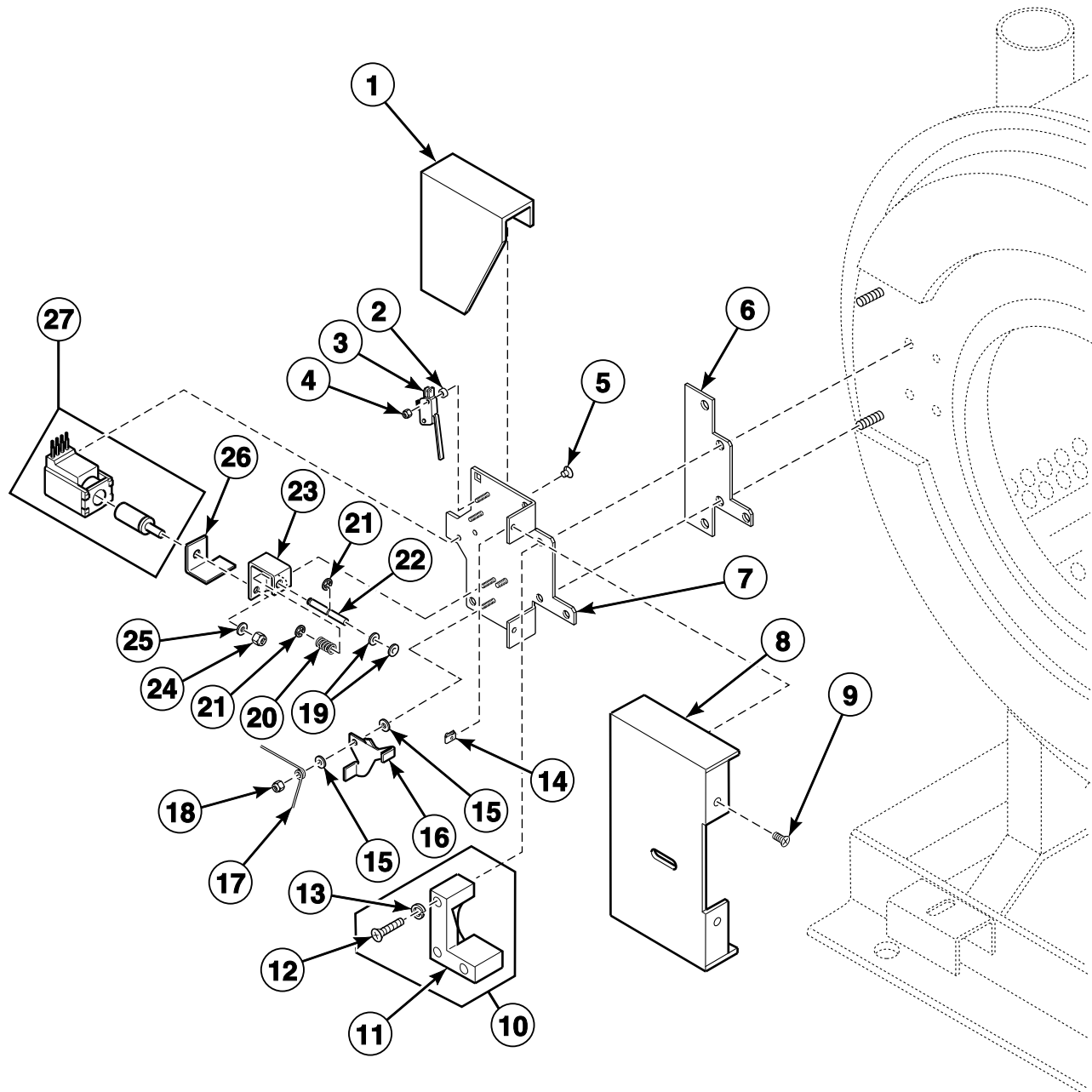


CHM2616P_F232193

Door

REF	PART NO.	DESCRIPTION	COMMENTS
	F608783-2	Door Assembly	Includes items 1-9, 11-13 and 15-31
1	F150225	Door Handle	
2	F431222	Spring Pin	
3	F230662	Red Dot Decal	
4	F320300	Pushbutton Rod	
5	F310125	Door Lock Spring	
6	F431916	Washer	
7	F8535601	Screw	
8	F0150273-00	Door Spacer	
9	F430232	Nut	
10	F730155	Door Handle Kit	Includes items 1-6, 8, 11 and 12
11	F430532	Screw	
12	F431041	Nut	
13	F170164	Door Gasket	
14	F200131000P	Door Hinge Shim Kit	
15	F430536	Screw	
16	F190216P	Door Hinge	
17	F430215	Nut	
18	F602813-3	Rod	
19	F150271	Door Mount	
20	F431022	Nut	
21	F431113	Washer	
22	F8390801	Magnet	
23	F430916	Screw	
24	F431100	Washer	
25	F8549401	Nut	
26	F320102	Door Retainer Spinning	
27	F170115	Door Glass Gasket	
28	F290210P	Glass	
29	F230661	Push Red Button Decal	
30	F608782-2	Door Weldment	
31	F430974	Bolt	

Door Lock - AN, BN and VN Models

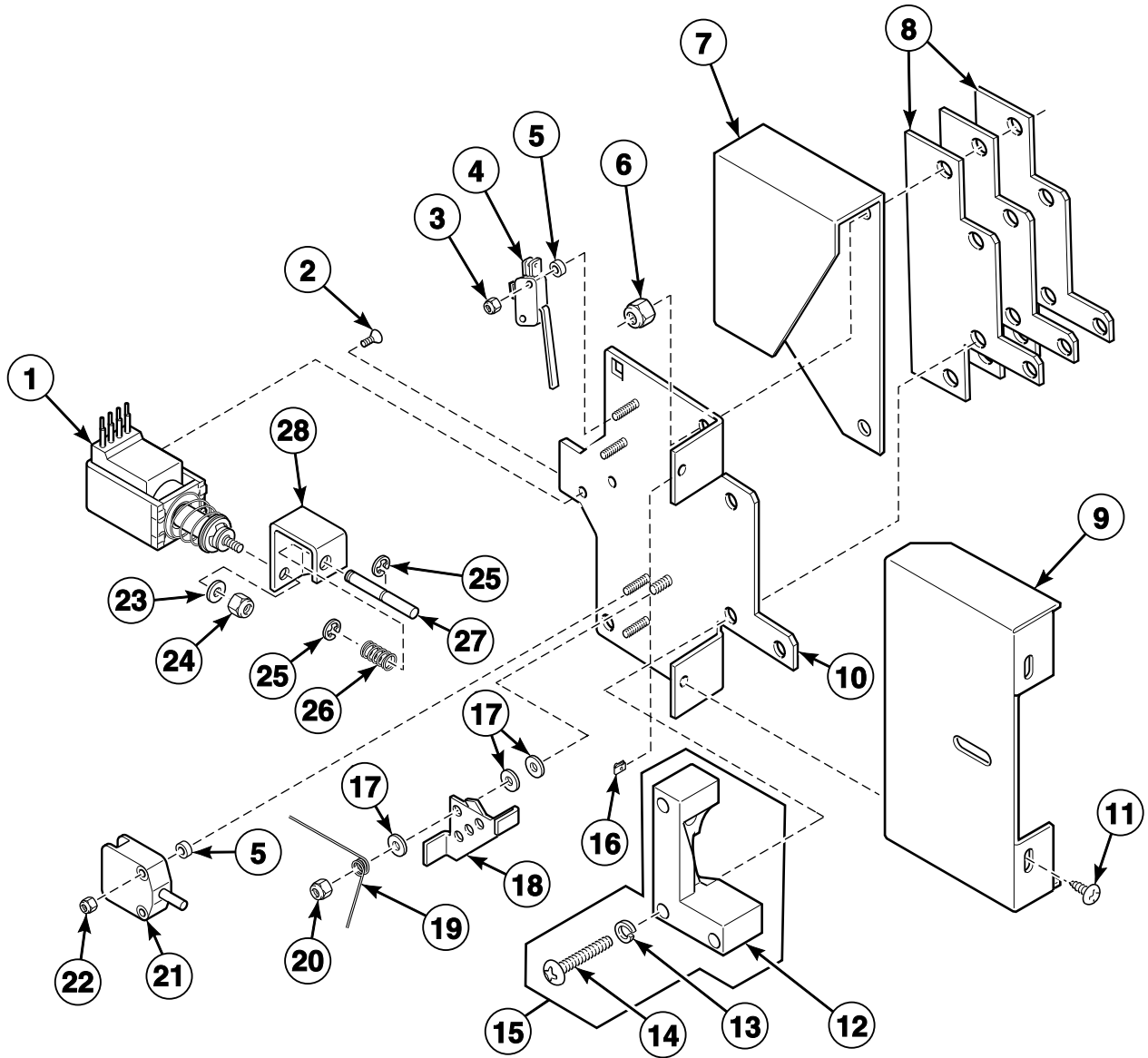


CHM2964P_F232193

Door Lock - AN, BN and VN Models

REF	PART NO.	DESCRIPTION	COMMENTS
	F0798839-00	Door Lock Kit	B, F, H, N, O, P, Q and Y-voltage models through 8/1/04; Includes items 2, 4, 5, 7 and 13-26
	F200136800P	Door Lock Assembly	B, D, E, F, H, J, O and Y-voltage models starting 8/2/04; Includes items 2, 4, 5, 7, 13-26 and door lock harness
	F0798839-01	Door Lock Kit	C, D, E and J-voltage models through 8/1/04; Includes items 2, 4, 5, 7 and 13-26
	F200136801	Door Lock Assembly	C-voltage models starting 8/2/04; Includes items 2, 4, 5, 7, 13-26 and door lock harness
1	F320200	Door Lock Splash Shield	
2	F431901	Spacer	Nylon
3	F200203200	Door Lock Microswitch	
4	F430225	Nut	Nylon
5	F430977	Screw	
6	F8059701	Door Lock Plate Shim	
7	F8066701	Door Lock Plate Assembly	
8	F603003	Door Lock Assembly Cover	
9	F430956	Screw	
10	F746808	L-Catch Kit	Includes items 11-13
11	F150261	Door Lock Catch Casting	
12	F430982	Screw	
13	F431100	Washer	
14	F430264	Nut	
15	F431902	Washer	
16	F0636636-00	Door Lock Switch Lever	
17	F310110	Door Lock Torsion Spring	
18	F430232	Nut	Nylon
19	F431147	Washer	
20	F310137	Door Lock Pin Release Spring	
21	F310205	E-Ring Retainer	
22	F431231	Door Locking Linkage Pin	
23	F150455	Door Lock Pin Linkage	
24	F431017	Nut	
25	F431123	Washer	
26	F0636103-00	Door Lock Retainer Latch	
27	F300128P	Door Release Solenoid	Models through 8/1/04
	F0300131-00P	Door Lock Solenoid	Models starting 8/2/04

Door Lock - AC, AL, AX, AY, BC, BL, BX and BY Models

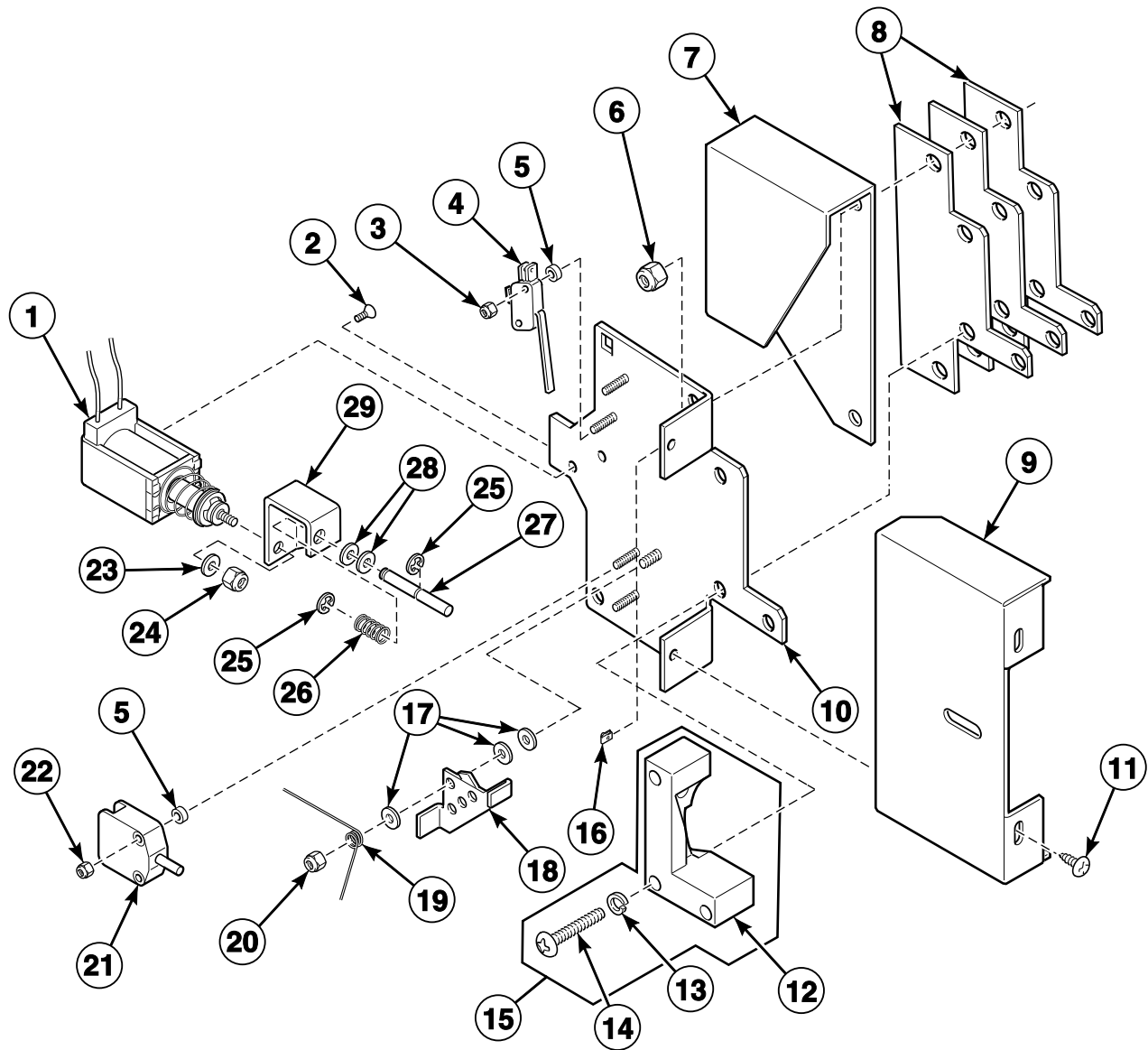


CHM2965P_F232193

Door Lock - AC, AL, AX, AY, BC, BL, BX and BY Models

REF	PART NO.	DESCRIPTION	COMMENTS
	F200321402	Door Lock Assembly	Includes F063667701 Door Lock Sub-Assembly, F0636380-00 Door Lock Harness, F200136300 Door Lock Harness, F200321200 Magnetic Switch Assembly, F430225 Nut and F432297 Screw; Models without heat
	F200321403	Door Lock Assembly	Includes F063667701 Door Lock Sub-Assembly, F0636380-00 Door Lock Harness, F200136301 Door Lock Harness, F200321200 Magnetic Switch Assembly, F430225 Nut and F432297 Screw; Models with heat
	F063667701	Door Lock Sub-Assembly	Includes items 2-5, 10 and 15-27
1	F300124P	Solenoid	4 wire; Includes harness
2	F430977	Screw	
3	F430225	Nut	
4	F200203200	Door Lock Microswitch	
5	F431901	Spacer	
6	F430215	Nut	
7	F320200	Door Lock Splash Shield	
8	F8059701	Door Lock Plate Shim	
9	F603003	Door Lock Assembly Cover	
10	F8066701	Door Lock Plate Assembly	
11	F430956	Screw	
12	F150261	Door Lock Catch Casting	
13	F431100	Washer	
14	F430982	Screw	
15	F746808	L-Catch Kit	Includes items 12-14
16	F430264	Nut	
17	F431902	Washer	
18	F0636636-00	Door Lock Switch Lever	
19	F310110	Door Lock Torsion Spring	
20	F430232	Nut	
21	F340200	Door Switch	
22	F430231	Nut	
23	F431123	Washer	
24	F431017	Nut	
25	F310205	E-Ring Retainer	
26	F310137	Door Lock Pin Release Spring	
27	F431231	Door Locking Linkage Pin	
28	F150455	Door Lock Pin Linkage	

Door Lock - NC, NR, NX, NY, VC and VX Models

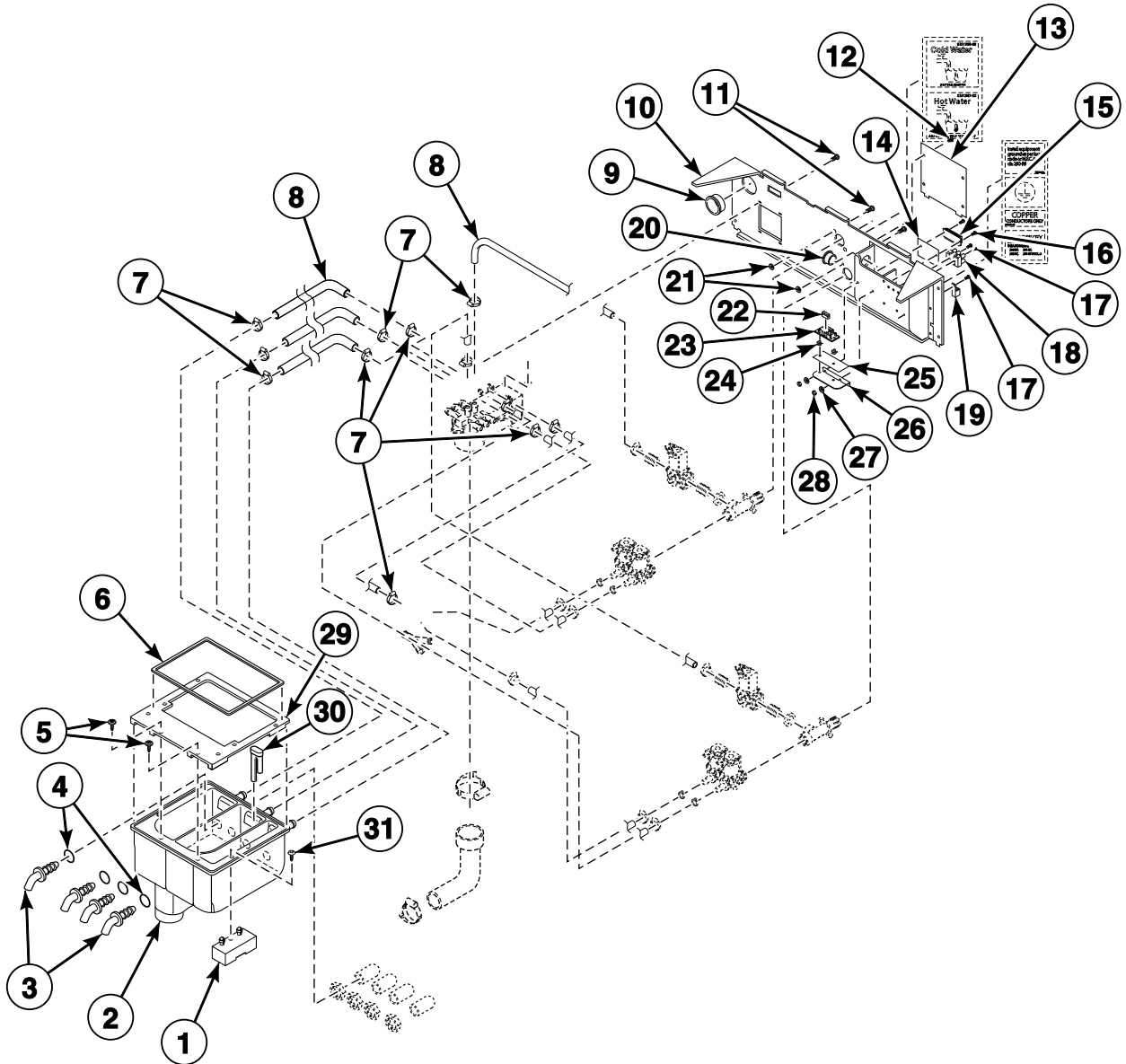


CHM2966P_F232193

Door Lock - NC, NR, NX, NY, VC and VX Models

REF	PART NO.	DESCRIPTION	COMMENTS
	F0636698-01P	Door Lock Assembly	Models DC80NCV, SC80NCV, SC80NRV, SC80NXV and SC80NYV; Standard models; Includes F0631986-02 Door Lock Wire Harness, F200321200 Magnetic Switch Assembly and items 2-5, 10 and 15-28
	F0636698-03	Door Lock Assembly	Models SC80NCV, SC80NRV, SC80NXV and SC80NYV; Models with electric heat; Includes F0631986-04 Door Lock Wire Harness, F200321200 Magnetic Switch Assembly and items 2-5, 10 and 15-28
1	F300124P	Solenoid	4 wire; Models HC80VCV and HC80VXV; Includes harness
	F300125P	Solenoid	2 wire; Models DC80NCV, SC80NCV, SC80NRV, SC80NXV and SC80NYV
2	F430977	Screw	
3	F430225	Nut	
4	F200203200	Door Lock Microswitch	
5	F431901	Spacer	
6	F430215	Nut	
7	F320200	Door Lock Splash Shield	
8	F8059701	Door Lock Plate Shim	
9	F603003	Door Lock Assembly Cover	
10	F8066701	Door Lock Plate Assembly	
11	F430956	Screw	
12	F150261	Door Lock Catch Casting	
13	F431100	Washer	
14	F430982	Screw	
15	F746808	L-Catch Kit	Includes items 12-14
16	F430264	Nut	
17	F431902	Washer	
18	F0636636-00	Door Lock Switch Lever	
19	F310110	Door Lock Torsion Spring	
20	F430232	Nut	
21	F340200	Door Switch	
22	F430231	Nut	
23	F431123	Washer	
24	F431017	Nut	
25	F310205	E-Ring Retainer	
26	F310137	Door Lock Pin Release Spring	
27	F431231	Door Locking Linkage Pin	
28	F431147	Washer	
29	F150455	Door Lock Pin Linkage	

Fill Plumbing and External Supply (Drawing 1 of 3)

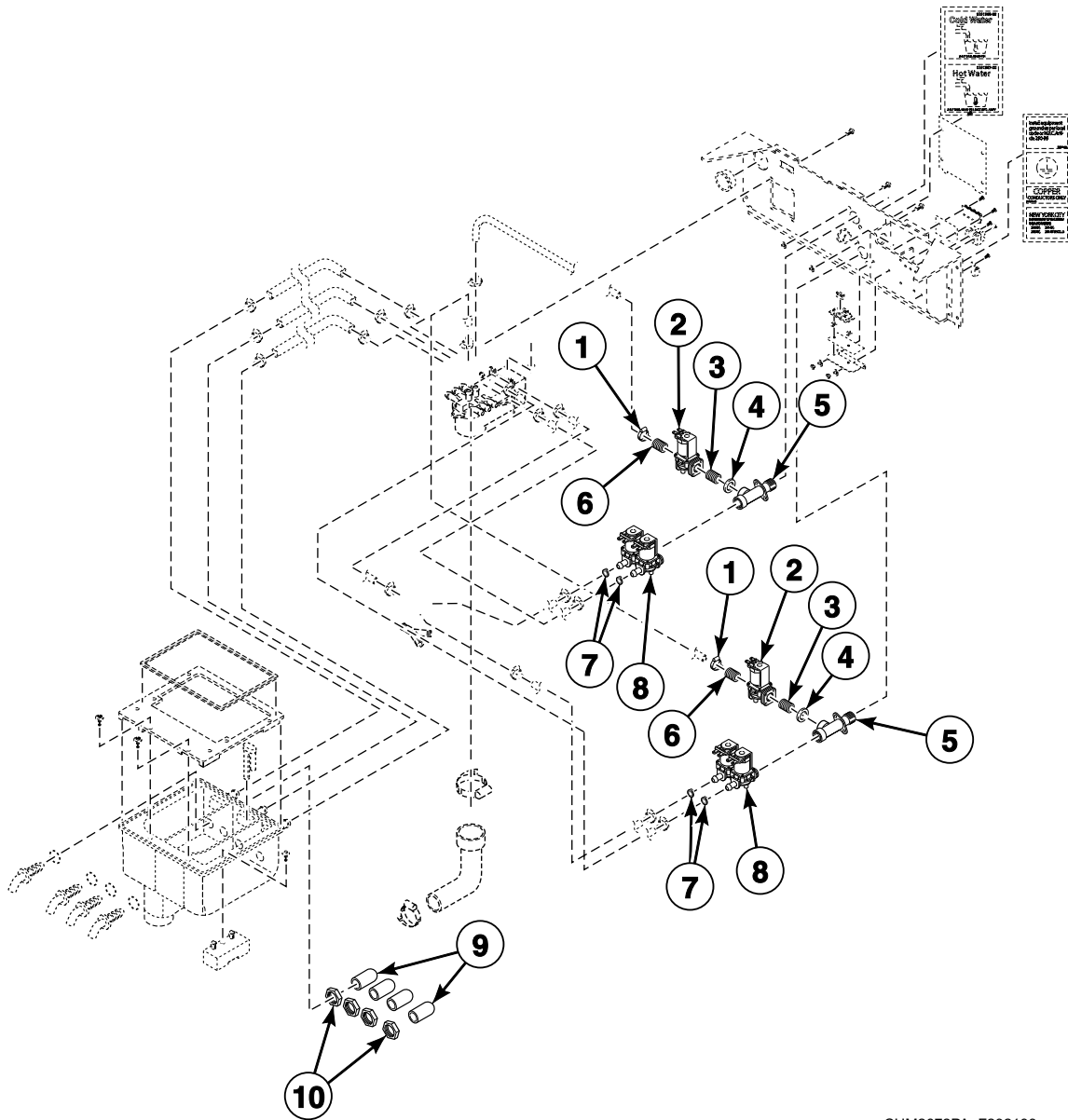


CHM2672P_F232193

Fill Plumbing and External Supply (Drawing 1 of 3)

REF	PART NO.	DESCRIPTION	COMMENTS
1	F0150504-00	Supply Dispenser Standoff	
2	F200202201	Supply Dispenser Assembly	Includes items 1, 2-6 and 36-40
	F602374	Supply Dispenser Sub-Assembly	Models HC80VNV, SC80VNV and UC80VNV
3	F8322001	Injection Nozzle	
	F730168	Injection Nozzle Kit	Includes items 4 and 40
4	F170208	O-Ring	
5	F430956	Screw	
6	F0170190-00P	Bezel Gasket	
7	36801	Hose Clamp	No. 6
8	F200108P	Water Hose	
9	F200139500	Grommet	
	F180511	Cap Plug	
10	F0636543-00	Valve Panel Assembly	Standard models
	F0636543-01	Valve Panel Assembly	Models with heat
11	F430929	Screw	
12	F430174	Screw	
13	F602533	Input Power Connection Box Cover	
14	F231376-5	External Supply Connection Decal	Q-voltage
	F231376-6	External Supply Connection Decal	N and P-voltage
15	F140766	Terminal	8 place
16	F430916	Screw	
17	F430903	Screw	
18	F140748	Input Power Block	2 terminal
	F140747	Input Power Block	3 terminal; Standard models
	M413865	Terminal Block	3 terminal; Electric heat models
19	F140734	Ground Terminal Lug	
20	F140938	Snap Bushing	
21	F430322	Washer	
22	F350115	Fuse	3 Amp
23	F0350312-10	Fuse Holder	
24	F180506	Standoff	
25	F231271	External Supply Fuse Decal	3 Amp
26	F633512	Fuse Holder Bracket	
27	F431113	Washer	
28	F431022	Nut	
29	F0150503-00	Supply Dispenser Bezel	
30	F150390	Siphon Tube	
31	F0430268-00	Screw	

Fill Plumbing and External Supply (Drawing 2 of 3)

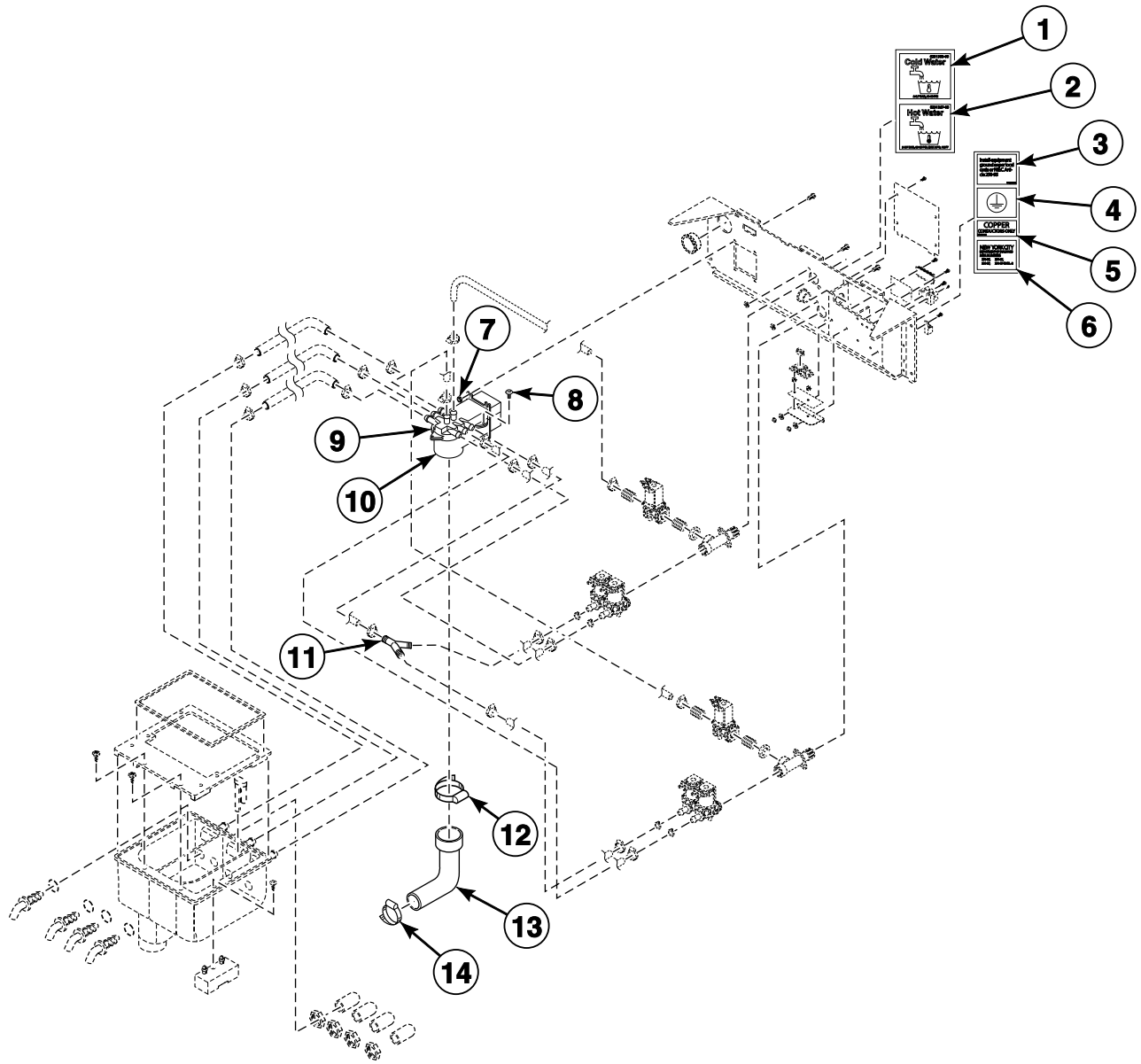


CHM2672PA_F232193

Fill Plumbing and External Supply (Drawing 2 of 3)

REF	PART NO.	DESCRIPTION	COMMENTS
	F8514801	Valve Coil	Use with F8322807 Valve
	F8514601	Coil	Use with F8322803 Valve
	F8514701	Coil	Use with F8322909 Steam Valve
	F8382301	DIN Valve Adapter Kit	Use with F8322801P Valve and F8322804 Valve
	F8456201P	Valve Transition Kit	Use with F8322803 Valve and F8322807 Valve
	F8456202P	Valve Transition Kit	Use with F8322909 Steam Valve
1	36801	Hose Clamp	No. 6
2	F8322807P	Valve	Replaces F381732P 1-Way Valve; Includes F8322807 Valve, F8382301 DIN Valve Adapter Kit and F8514801 Valve Coil
	F8322909P	Valve	Replaces F381700P Valve; Includes F8322909 Steam Valve, F8382301 DIN Valve Adapter Kit and F8514701 Coil
	F8322803P	Valve	Replaces F381703P Valve; Includes F8322803 Valve, F8382301 DIN Valve Adapter Kit and F8514601 Coil
	F8521801	DIN Valve Kit	
3	F421969	Nipple	
4	20290	Washer	
5	F150246	Water Connection Inlet Manifold	Standard thread
	F150247	Water Connection Inlet Manifold	Metric thread
6	F421930	Hose Barb	
7	F380119	Flow Restrictor	
8	F0381751-00P	2-Way Valve	220 Volt
	F381721P	2-Way Valve	Models DC80NCV and SC80NCV; 24 Volt
	F381722P	2-Way Valve	Models HC80VNV, HC80VXV, SC80VNV and UC80VNV; 120 Volt
9	F190303	Cap	
10	802292	Nut	

Fill Plumbing and External Supply (Drawing 3 of 3)



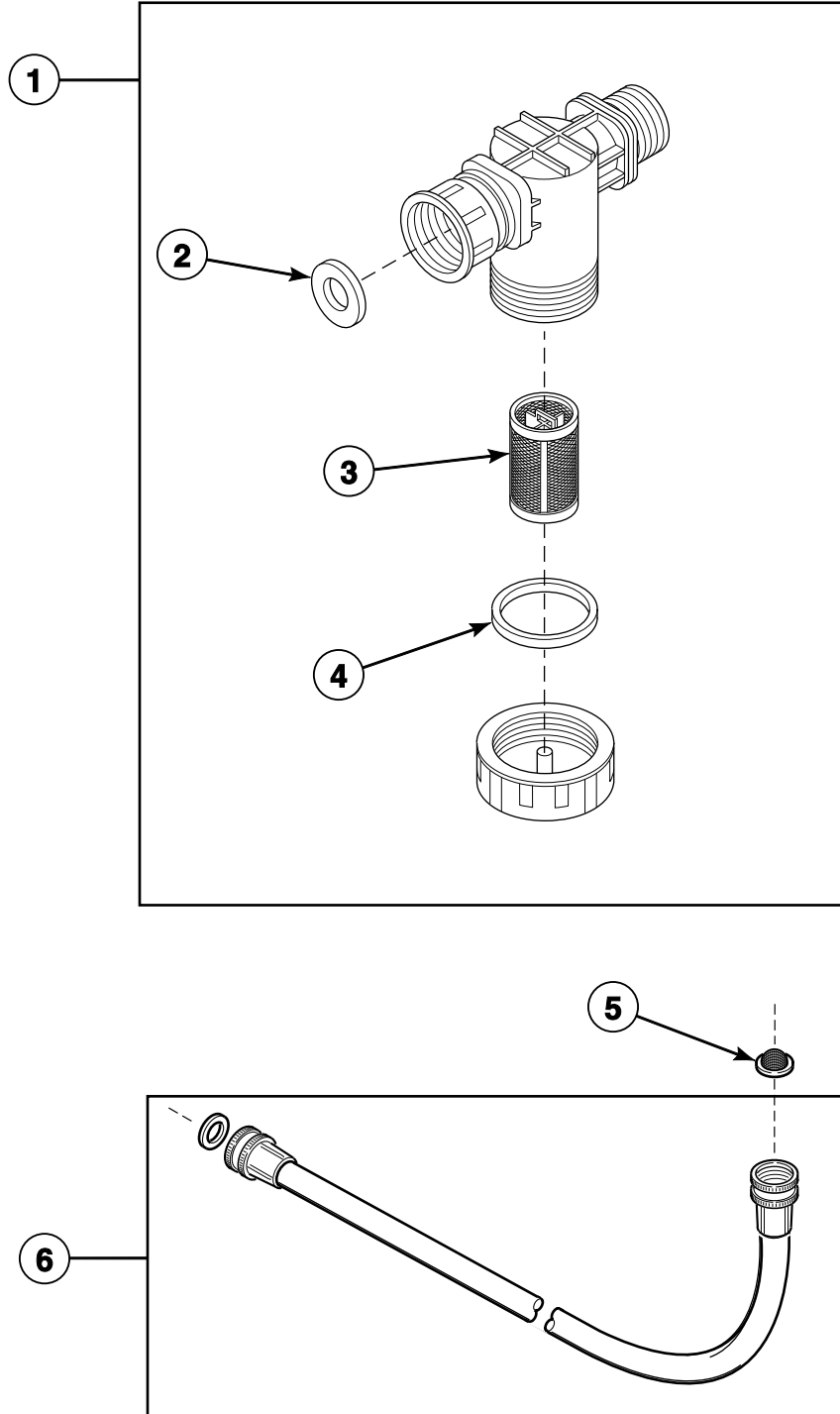
CHM2673P_F232193

Fill Plumbing and External Supply (Drawing 3 of 3)

REF	PART NO.	DESCRIPTION	COMMENTS
1	F231368	Cold Water Valve Decal	
2	F231367	Hot Water Valve Decal	
3	F230630	Ground Decal	
4	F230739	Ground Decal	
5	F231146	Conductor Decal	Copper conductor
6	N/A	Decal	New York MEA
7	F430231	Nut	
8	F430177	Screw	
9	F0150329-00	Vacuum Breaker Top	
	F603031	Vacuum Breaker Assembly	Includes items 8 and 10
10	F015033000	Vacuum Breaker Bottom	
11	F422808	Y Connector	
12	F200201	Hose Clamp	No. 48
13	F150492	Rear Fill Hose	
14	F200213	Hose Clamp	No. 40

N/A = Part no longer available

Water Supply Hose and Filter (Optional)

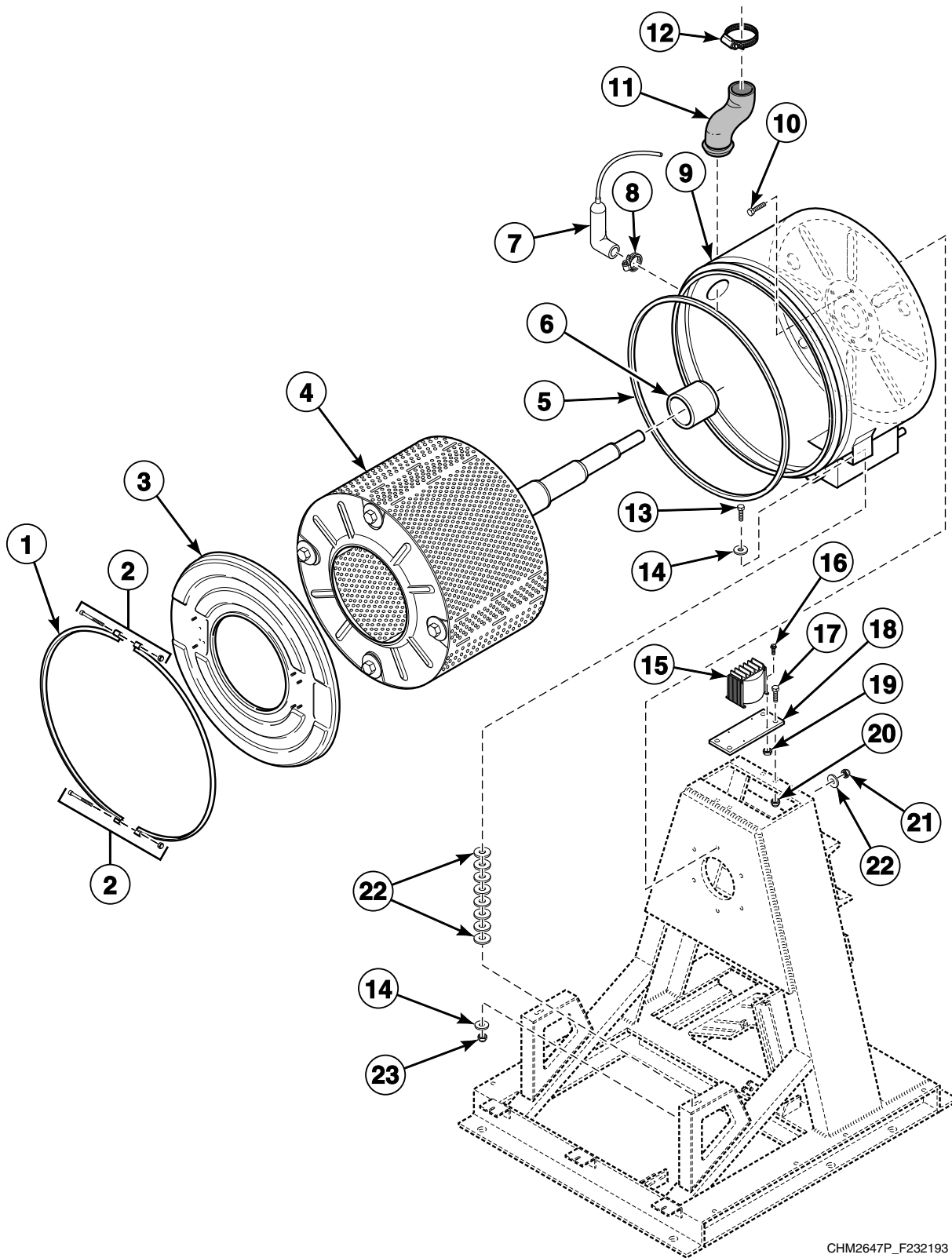


B091P_F232193

Water Supply Hose and Filter (Optional)

REF	PART NO.	DESCRIPTION	COMMENTS
1	F270306P	Filter	Hose thread
	F270305	Filter	Metric thread
2	20290	Washer	
3	F270406	Replacement Filter	.11 mm
	F270405	Replacement Filter	.25 mm
4	F270407	Filter Housing Cap Gasket	
5	803615	Washer	Filter
6	F200116	Water Hose	3/8 inch; Hose thread
	F200164	Water Hose	3/4 inch; Hose thread
	F200165	Water Hose	3/8 inch; Metric thread
	F200166	Water Hose	3/4 inch; Metric thread

Basket and Shell



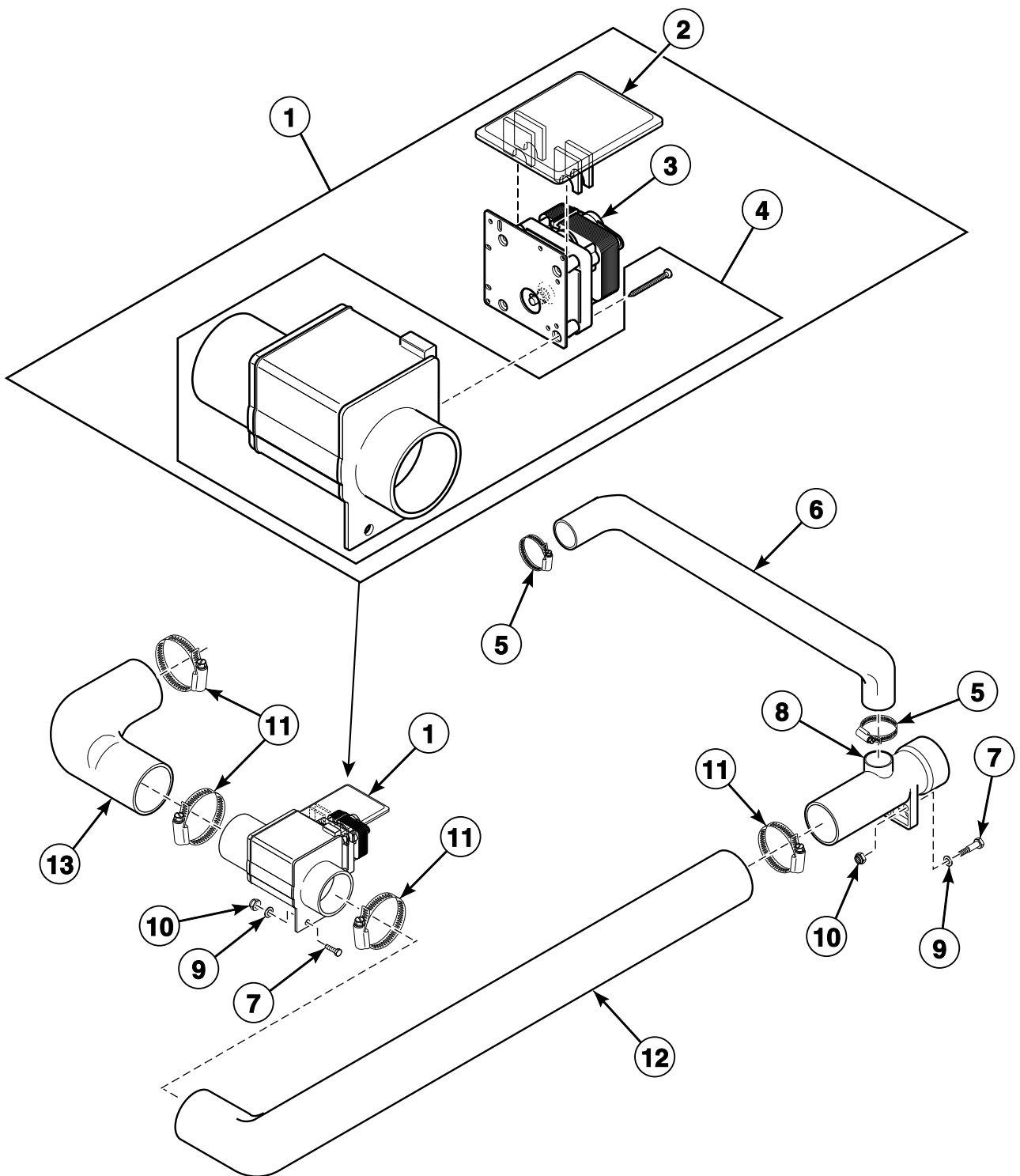
CHM2647P_F232193

Basket and Shell

REF	PART NO.	DESCRIPTION	COMMENTS
1	F8537808	Shell Band Kit	Includes item 2
2	F791001	Shell Band Fastener Kit	
3	F603988P	Shell Front Assembly	
4	F603949	Basket Assembly	Includes item 6
5	F792000	Shell Front Gasket Kit	
6	F8312007P	Shaft Seal Sleeve	
7	F020014200	Air Trap Hose	
8	36801	Hose Clamp	
9	F0636525-00	Shell Weldment	Standard models
	F0637017-00	Shell Weldment	Heat models
10	F430947	Screw	
11	F8061601	Supply Dispenser Hose	
12	F200213	Hose Clamp	No. 40
13	F430144	Screw	
14	M400081	Washer	
15	C000203	Transformer	Models HC80VCV and HC80VXV; Models HC80VNV, SC80VNV and UC80VNV through 8/1/04
	F360156P	Transformer	VN models starting 8/2/04; AC, AL, AN, AX, AY, BC, BL, BN, BX and BY models N and P-voltage
16	F430107	Screw	VC, VN and VX models; AC, AL, AN, AX, AY, BC, BL, BN, BX and BY models N and P-voltage
17	N/A	Screw	
18	F632745	Transformer Mounting Plate	VC, VN and VX models; AC, AL, AN, AX, AY, BC, BL, BN, BX and BY models N and P-voltage
19	F431017	Nut	
20	F430215	Nut	VC, VN and VX models; AC, AL, AN, AX, AY, BC, BL, BN, BX and BY models N and P-voltage
21	F430201	Nut	
22	901690	Washer	
23	F430218	Nut	

N/A = Part no longer available

Drain



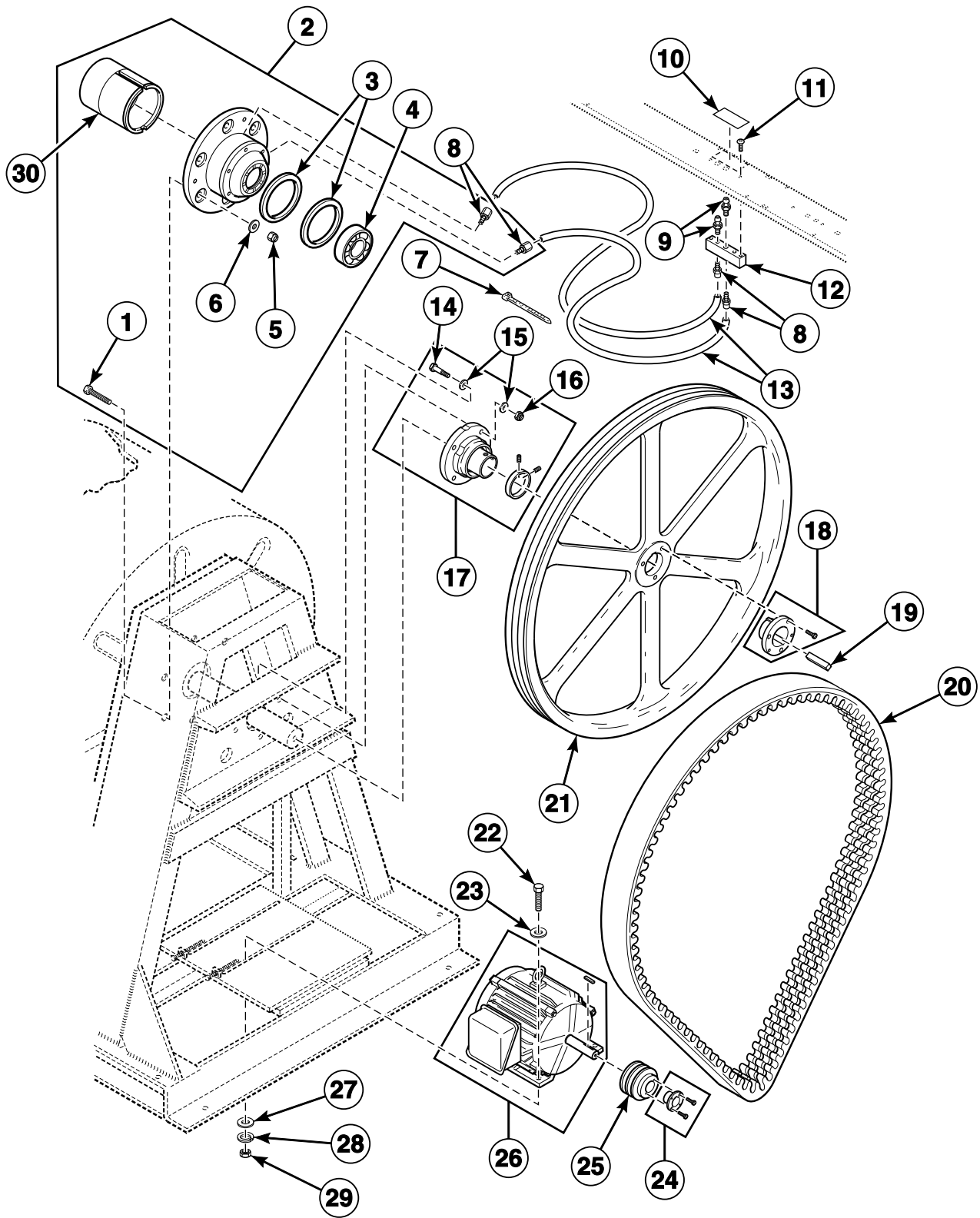
CHM2559P_F232193

Drain

REF	PART NO.	DESCRIPTION	COMMENTS
1	F200166302	Drain Valve Kit	120 Volt; Includes items 2-4; Models HC80VCV and HC80VXV; Models HC80VNV, SC80VNV and UC80VNV through 8/1/04
	F200166402	Drain Valve Kit	220 Volt; Includes items 2-4; NC, NR, NX and NY models; VN models starting 8/2/04; AC, AL, AN, AX, AY, BC, BL, BN, BX and BY models
2	F200133600	Drain Valve Cover	
3	F380943P	Drain Motor	120 Volt; Keyed shaft
	G159764P	Drain Valve Motor and Gear Box Assembly	220 Volt; Keyed shaft
4	N/A	Drain Valve	120 Volt; Includes screw
	N/A	Drain Valve Kit	220 Volt; Includes screw and item 2
5	F200213	Hose Clamp	No. 40
6	F150401	Overflow Hose	
7	F430103	Screw	
8	F150398	Drain Tee	
9	F430317	Washer	
10	F430215	Nut	
11	F200201	Hose Clamp	No. 48
12	F0150399-00	Rear Drain Hose	Rear
13	F150400	Drain Hose	Front

N/A = Part no longer available

Motor, Pulley, Belts and Bearings

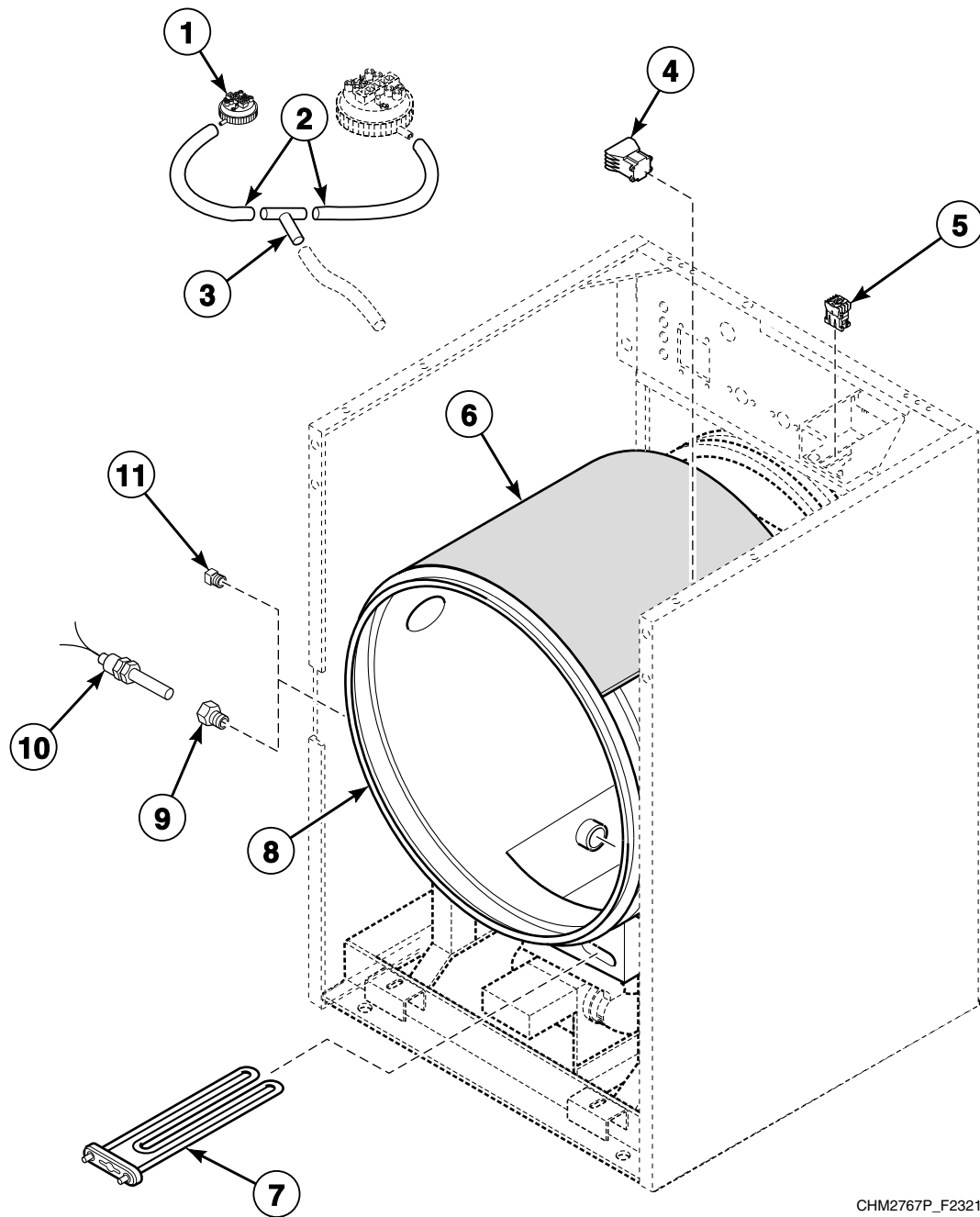


CHM2996P_F232193

Motor, Pulley, Belts and Bearings

REF	PART NO.	DESCRIPTION	COMMENTS
1	F430947	Screw	
2	F745015-1	Front Bearing Kit	Includes items 1, 3-6, 8 and 30
3	F8203804	Triple Lip Seal	
4	F100155	Bearing	
5	F430201	Nut	
6	901690	Washer	
7	F140605	Cable Tie	
8	J1408004	Connector	
9	F190701	Grease Fitting	
10	F231078	Lubrication Instruction Decal	
11	F430925	Screw	
12	F320326	Grease Manifold	
13	C000628P	Tubing	
14	F430185	Screw	
15	F430339	Washer	
16	F430239	Nut	
17	F745016-1	Rear Bearing Kit	
18	F280290	Basket Pulley Bushing	Includes screws
19	F608824-1	Key	
20	F200140300P	Belt	
21	F150268	Basket Pulley	
22	F430993	Screw	
23	M400081	Washer	
24	F280211P	Motor Pulley Bushing	Includes screws
25	F280289P	Drive Motor Pulley	
26	F220236P	Motor	Includes key; Motor manufacturer Part No. 391994; AC drive parameters must be compatible with the motor being used. When replacing the motor, please request an AC drive parameter illustration for the motor to verify that the drive parameters are set correctly.
27	F430300	Washer	
28	M400014	Washer	
29	20274	Nut	
30	F100307	Bearing Adapter Sleeve	

Electric Heat Option - AC, AL, AN, AX, AY, BC, BL, BN, BX and BY Models

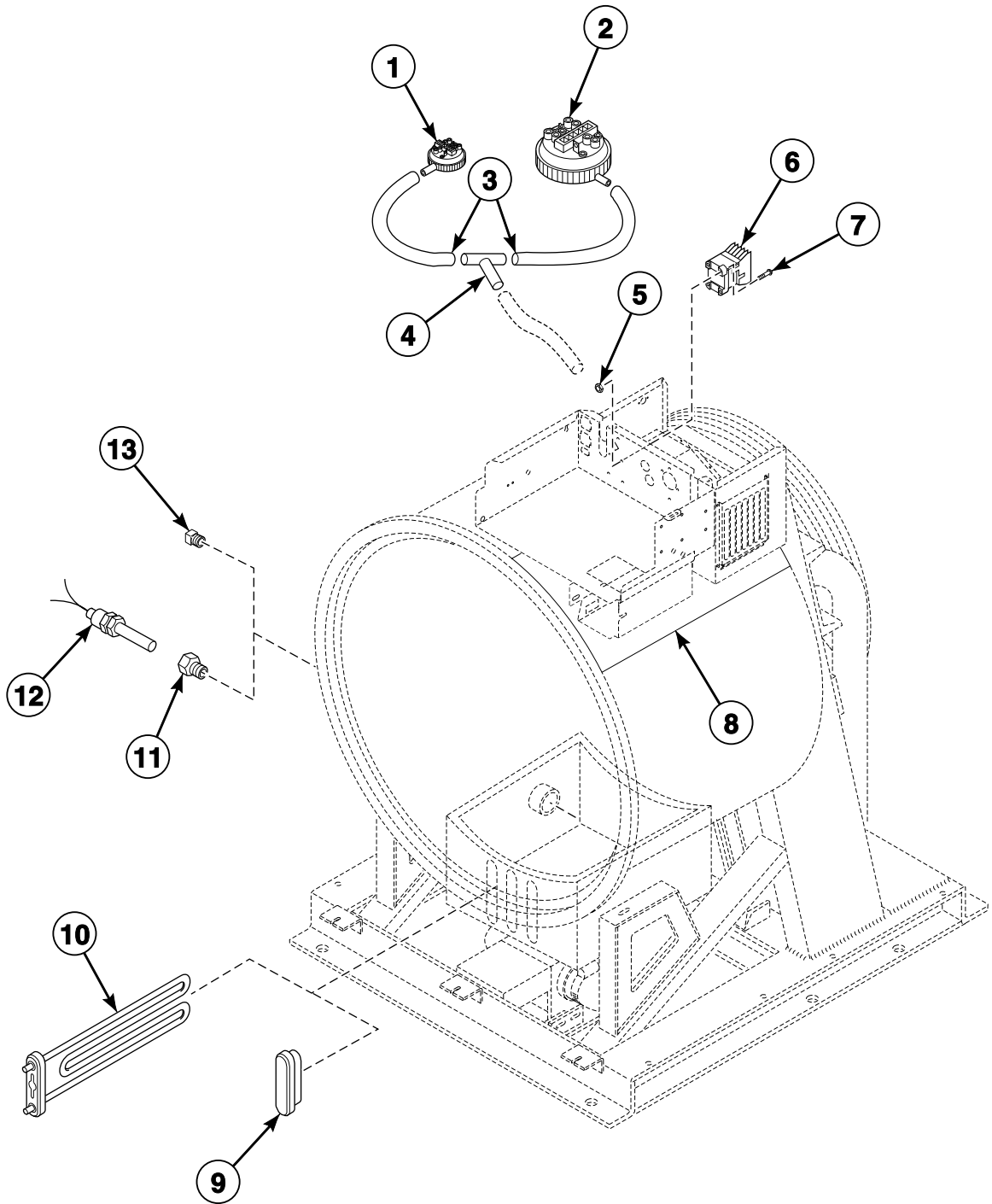


CHM2767P_F232193

Electric Heat Option - AC, AL, AN, AX, AY, BC, BL, BN, BX and BY Models

REF	PART NO.	DESCRIPTION	COMMENTS
1	F8223001P	Water Pressure Switch	Heat safety
2	F422404P	Tubing	
3	F422806	Tee	
4	F330182	Contactora	C30; 220 Volt
5	F330177P	Contactora	C16; 220 Volt
6	F410301	Fiberglass Blanket	
7	F360205P	Element	2.6 kW; 12 used
8	F0637017-00	Shell Weldment	
9	F421936	Reducer Bushing	
10	F8045001	Temperature Probe Assembly	
11	F421507	Plug	

Electric Heat Option - NC, NR, NX, NY, VC, VN and VX Models

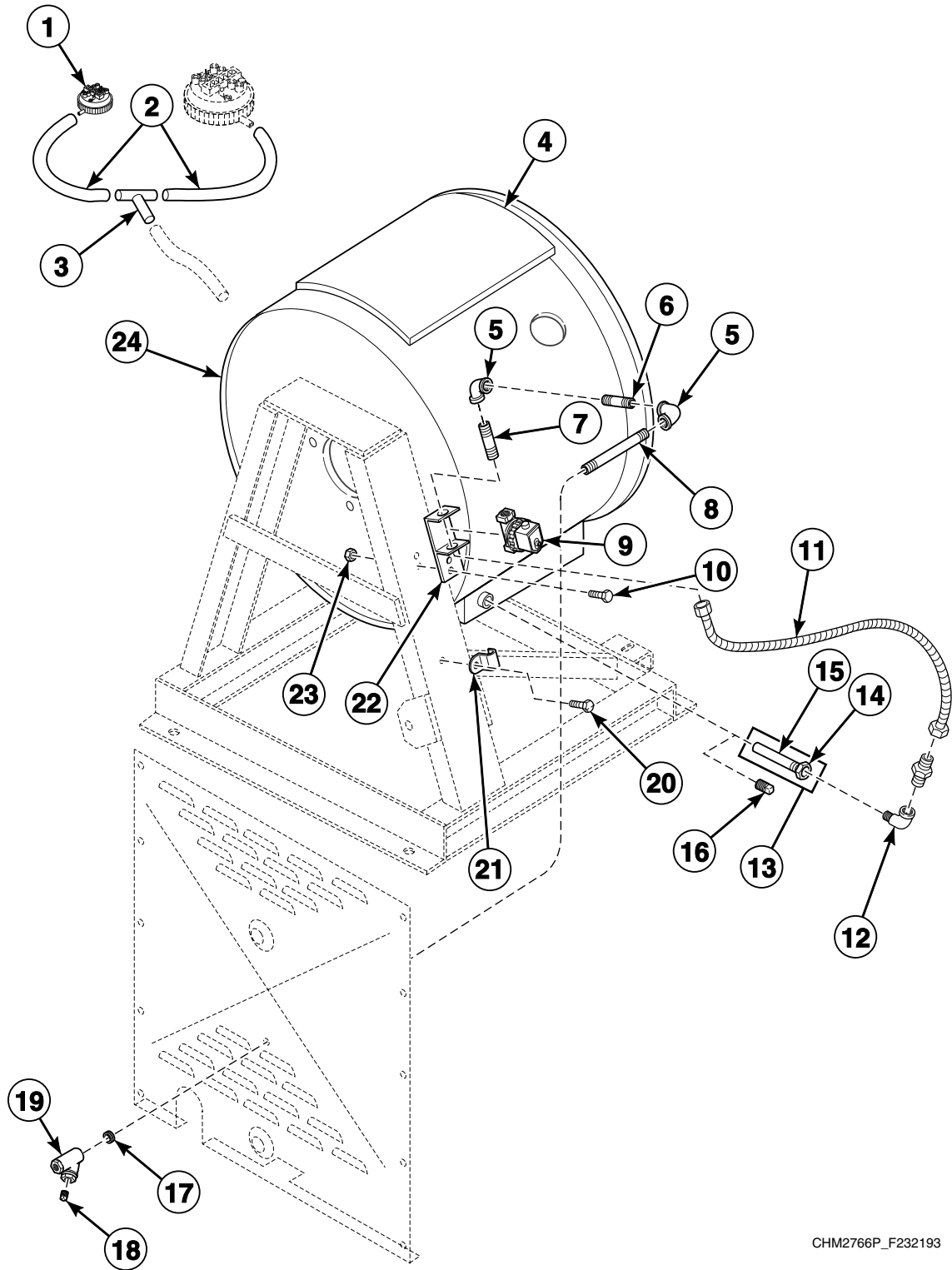


CHM2394P_F232193

Electric Heat Option - NC, NR, NX, NY, VC, VN and VX Models

REF	PART NO.	DESCRIPTION	COMMENTS
1	F0340351-10P	Water Level Switch	Heat safety
2	F8223001P	Water Pressure Switch	Models HC80VCV, HC80VNV, HC80VXV, SC80VNV and UC80VNV
3	F422404P	Tubing	
4	F422806	Tee	
5	F430231	Nut	
6	F330163	Contactora	C30; 24 Volt; Q-voltage; Models DC80NCV, SC80NCV, SC80NRV, SC80NXV and SC80NYV
	F330180P	Contactora	C30; 120 Volt; Q-voltage; Models HC80VCV and HC80VXV; Models HC80VNV, SC80VNV and UC80VNV through 8/1/04
	F330182	Contactora	C30; 220 Volt; Q-voltage; Models HC80VNV, SC80VNV and UC80VNV starting 8/2/04
	F330175P	Contactora	C16; 120 Volt; N and P-voltage; Models HC80VNV, SC80VNV and UC80VNV through 8/1/04
	F330177P	Contactora	C16; 220 Volt; N and P-voltage; Models HC80VNV, SC80VNV and UC80VNV starting 8/2/04
7	F430917	Screw	
8	F410301	Fiberglass Blanket	
9	F360202	Heating Element Plug	
10	F360205P	Element	2.6 kW; 12 used
11	F421936	Reducer Bushing	
12	F370606P	Temperature Probe	Models HC80VCV, HC80VNV, HC80VXV, SC80VNV and UC80VNV
	F370609	Thermistor Sensor	Models DC80NCV, SC80NCV, SC80NRV, SC80NXV and SC80NYV
13	F421507	Plug	

Steam Heat Kit - AC, AL, AN, AX, AY, BC, BL, BN, BX and BY Models



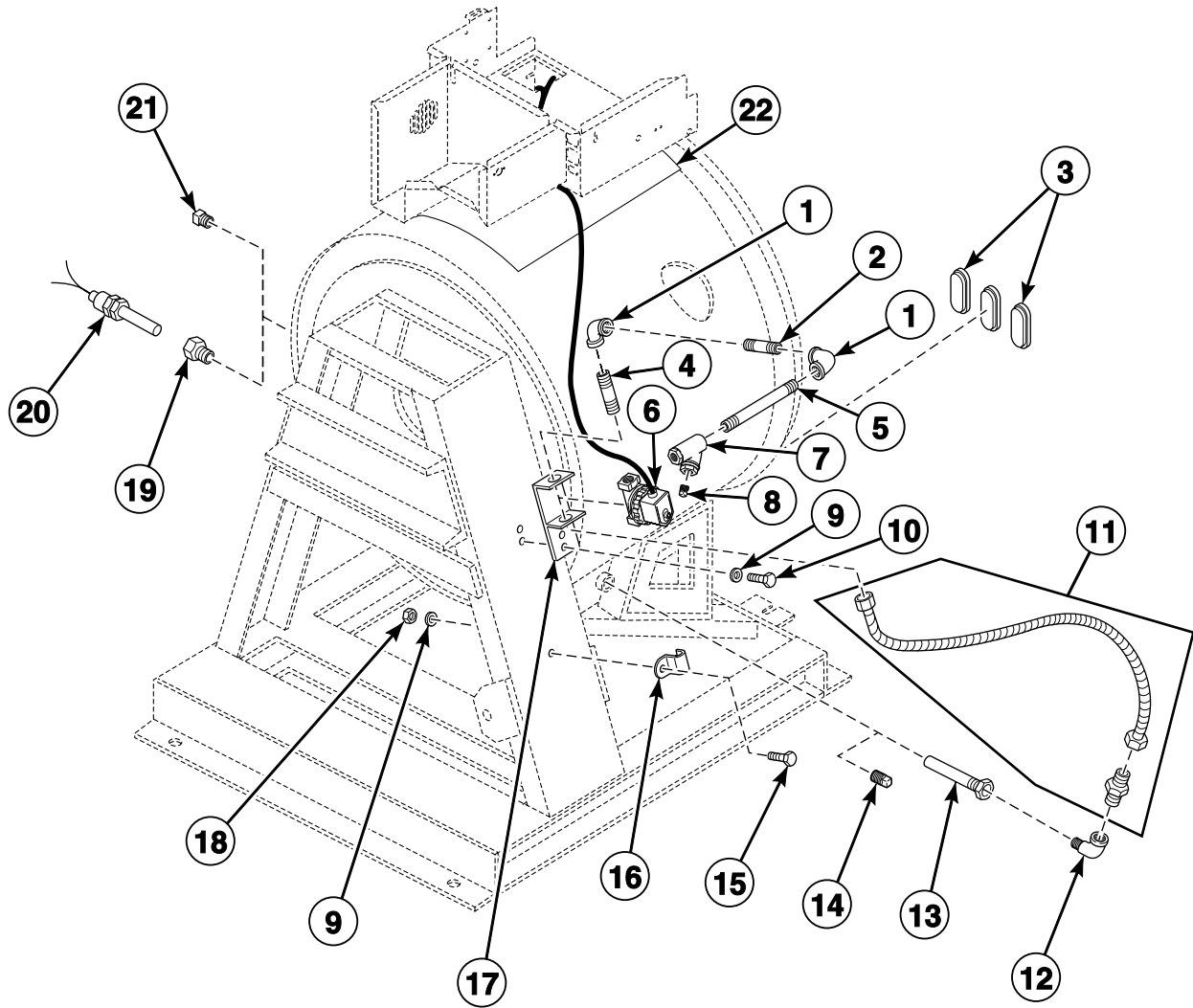
CHM2766P_F232193

Steam Heat Kit - AC, AL, AN, AX, AY, BC, BL, BN, BX and BY Models

REF	PART NO.	DESCRIPTION	COMMENTS
	F8521501	DIN Valve Kit	Includes items 1, 8, 10, 11, 13, 15-21, F380787P Steam Valve and harness
	F380984P	Steam Valve Repair Kit	Use with F380787P Steam Valve
	F8514601	Coil	Use with F8322801P Valve
	F8382301	DIN Valve Adapter Kit	Use with F8322801P Valve
	F8379501	Valve Kit	Use with F8322801P Valve
1	F8223001P	Water Pressure Switch	Heat safety
2	F422404P	Tubing	
3	F422806	Tee	
4	F410301	Fiberglass Blanket	
5	70079601	Elbow	
6	F420710	Nipple	
7	F420709	Nipple	
8	F420718	Nipple	
9	F8322801P	Valve	Replaces F380787P Steam Valve on Design 1 models; Design 2 and 3; Includes F8514601 Coil; For models that have been upgraded with F8521801 DIN Valve Kit
	F8521801	DIN Valve Kit	Replaces F380787P Steam Valve on Design 1 models; Includes F8322801P Valve, F8382301 DIN Valve Adapter Kit and F8514601 Coil
10	F430108	Screw	
11	F200153P	Steam Hose	
12	H86070034	Street Elbow	
13	F603131	Steam Injector Tube Assembly	
14	F603050	Bushing	
15	F603048	Steam Injection Tube	
16	F200202600	Plug	
17	N/A	Grommet	
18	F420409	Plug	
19	F270307	Steam Filter	
20	F430115	Screw	
21	N/A	Cable Strap	
22	F601186	Steam Bracket Assembly	
23	F430215	Nut	
24	F0637017-00	Shell Weldment	

N/A = Part no longer available

Steam Heat Option - VC, VN and VX Models



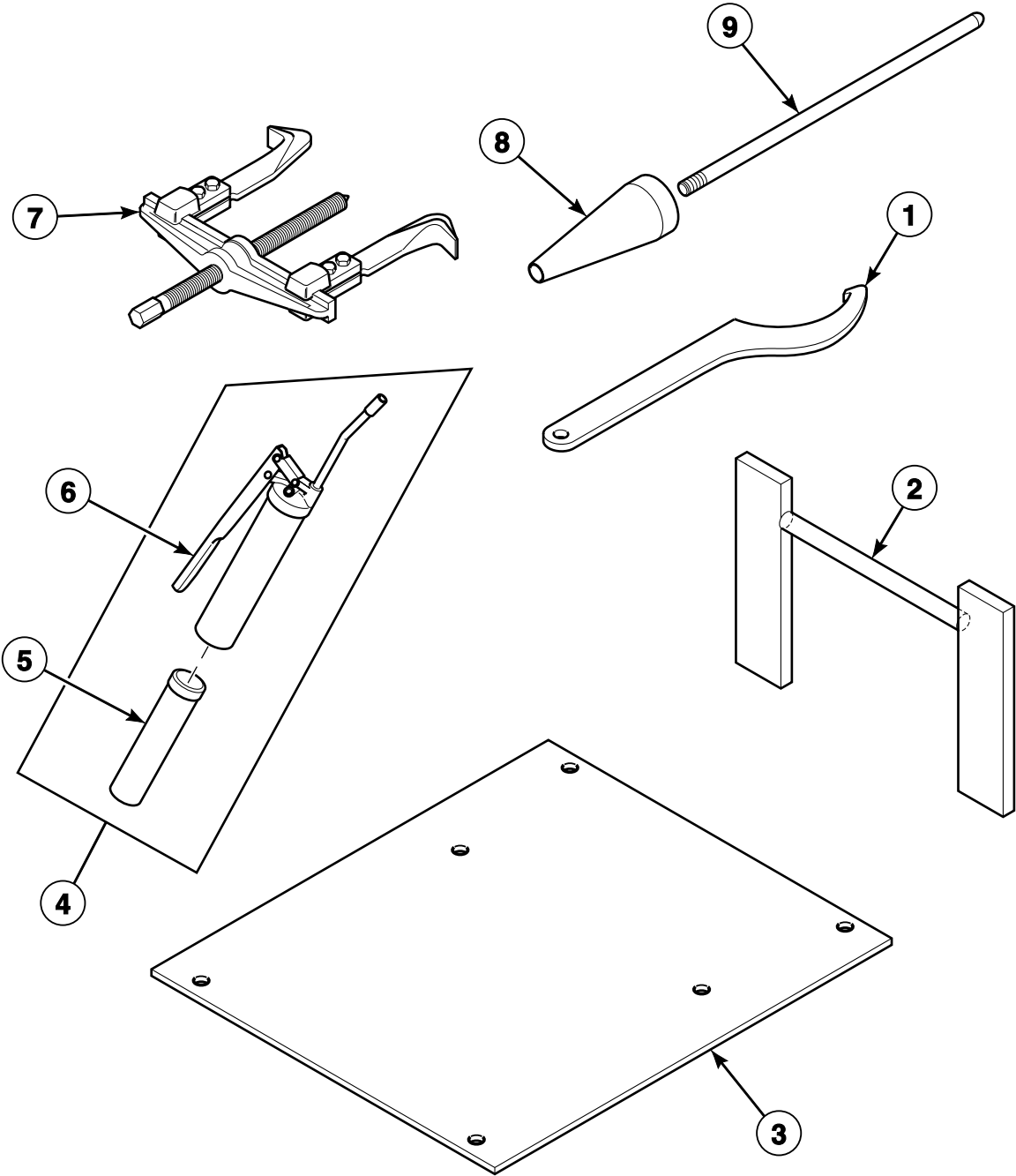
CHM2750P_F232193

Steam Heat Option - VC, VN and VX Models

REF	PART NO.	DESCRIPTION	COMMENTS
	F380984P	Steam Valve Repair Kit	Use with F380786P Steam Valve and F380787P Steam Valve
	F8514601	Coil	Use with F8322801P Valve
	F8514701	Coil	Use with F8322802 Valve
	F8382301	DIN Valve Adapter Kit	Use with F8322801P Valve and F8322802 Valve
	F8379501	Valve Kit	Use with F8322801P Valve and F8322802 Valve
1	70079601	Elbow	
2	F420710	Nipple	
3	F360202	Heating Element Plug	
4	F420709	Nipple	
5	F420718	Nipple	
6	F8322802	Valve	Replaces F380786P Steam Valve; Includes F8514701 Coil; For models that have been upgraded with F8521601 DIN Valve Kit
	F8521601	DIN Valve Kit	Replaces F380786P Steam Valve; Includes F8322802 Valve and F8514701 Coil
	F8322801P	Valve	Replaces F380787P Steam Valve; Includes F8514601 Coil; For models that have been upgraded with F8521801 DIN Valve Kit
	F8521801	DIN Valve Kit	Replaces F380787P Steam Valve; Includes F8322801P Valve, and F8514601 Coil
7	F270307	Steam Filter	
8	F420409	Plug	
9	F430317	Washer	
10	F430108	Screw	
11	F200153P	Steam Hose	
12	H86070034	Street Elbow	
13	F603131	Steam Injector Tube Assembly	
14	F200202600	Plug	
15	F430115	Screw	
16	N/A	Cable Strap	
17	F601186	Steam Bracket Assembly	
18	F430215	Nut	
19	F421936	Reducer Bushing	
20	F370606P	Temperature Probe	
21	N/A	Plug	
22	F410301	Fiberglass Blanket	

N/A = Part no longer available

Special Tools



CHM2997P_F232193

Special Tools

REF	PART NO.	DESCRIPTION	COMMENTS
	F200040300P	Communication Box Kit	Standard; A-control
	F200041700P	Communication Box Kit	Icon; A-control
	F200041800P	Communication Box Kit	Icon; A-control
	F200098500P	Communication Box Kit	Standard; B-control
	F200098600P	Communication Box Kit	Icon; B-control
	F200098700P	Communication Box Kit	Icon; B-control
	F370851P	HIM Drive	Models with 160-series drive
1	F703654	Locknut Spanner Wrench	
2	F460131	Basket Pulley Puller Tool	
3	F609692	Bolt Layout Mounting Template	
4	F798700	Grease Gun Kit	Includes items 5 and 6
5	F210206P	Bearing Grease	
6	F210207P	Grease Gun	
7	F460129P	Bearing Puller Tool	
8	399P4	Cone	
9	401P4	Basket Installation Tool Rod	

Parts Index

A

AC Drive Cover Assembly	
F0636888-00.....	31
F200100201.....	23, 39
F200146800P.....	23, 39
AC Drive Radio Filter Assembly	
F200320900.....	13, 19, 23, 25, 31, 33, 39, 41
AC Drive Resistor Assembly	
F0637379-00P.....	35, 37
F0637379-01P.....	35, 37
F8079901P.....	13, 19, 23
F8080001P.....	13, 19, 23
AC Drive Side Panel Assembly	
F200180200.....	71
Access Transformer Harness	
F200008700.....	51
Air Filter Assembly	
F8026401P.....	23, 39
Air Trap Hose	
F020014200.....	89

B

Basket Assembly	
F603949.....	89
Basket Installation Tool Rod	
401P4.....	103
Basket Pulley	
F150268.....	93
Basket Pulley Bushing	
F280290.....	93
Basket Pulley Puller Tool	
F460131.....	103
Bearing	
F100155.....	93
Bearing Adapter Sleeve	
F100307.....	93
Bearing Grease	
F210206P.....	103
Bearing Puller Tool	
F460129P.....	103
Belt	
F200140300P.....	93
Bezel Gasket	
F0170190-00P.....	81
Blind Rivet	
J1111905.....	69
Bolt	
F430974.....	73
Bolt Layout Mounting Template	
F609692.....	103
Bridge Rectifier	
F370310.....	17
Bushing	
F603050.....	99

C

Cabinet Top Brace	
F0636549-00.....	71
Cable Tie	
F140605.....	93
Cap	
F190303.....	83
Cap Plug	
F180511.....	81
Capacitor	
F370225P.....	29, 35
F8035701.....	51
Capacitor Mounting Bracket	
F0320211-00.....	29, 35
Card Reader and Bracket Assembly	
510068P.....	53
Card Reader Assembly	
F200019900.....	53
F200019901.....	53
Card Reader Harness	
F141887.....	53
F141889.....	53
Clip	
F601515.....	27
Coil	
F8514601.....	83, 99, 101
F8514701.....	83, 101
Coin Box	
F160672.....	59
F160673.....	59
Coin Box Assembly	
F0637455-00.....	29
Coin Box Audit Harness	
F200137700P.....	45
Coin Box Cover Assembly	
F0637138-00.....	29
Coin Cover Overlay	
70246301.....	61
Coin Drop	
200731.....	49
38963P.....	47
70256402P.....	49
70441601P.....	47
Coin Drop Assembly	
210195.....	49
210196.....	49
38462P.....	47
38463.....	47
38464P.....	47
38467.....	49
38472.....	49
38519.....	49
38521.....	49
39157.....	49
70281102.....	49
70283102.....	49
70441602.....	49
Coin Drop Kit	
CK077.....	49

N/A items do not appear in index.

Coin Guide Assembly			
F200002502P	55	Cold Water Valve Decal	
F200002503	57	F231368	85
F200002504P	47	Communication Board	
Coin Guide Kit		210095P	15
F200002505	49	Communication Box Kit	
Coin Identification Paper		F200040300P	45, 103
38725	47, 51	F200041700P	45, 103
Coin Meter		F200041800P	45, 103
F0160737-00	49	F200098500P	45, 103
Coin Meter Assembly		F200098600P	45, 103
F200003800P	55	F200098700P	45, 103
F200003801	55	Communication Connector	
F200003802P	55	210099	15
F200003803	55	Computer	
F200003805	55	F0370452-30P	45
F200003806P	55	F0370452-31P	45
F200003807	55	F0370455-10P	45
F200003808	55	F037046530P	45
F200003809	55	F037046532P	45
F200003810	55	F037047530P	45
F200003811	55	Computer and Door Lock Harness	
F200003812	55	F200296000P	17, 21, 45
F200005200	57	Conductor Decal	
F200005201	57	F231146	11, 85
F200005202	57	Cone	
F200005203	57	399P4	103
F200005204	57	Connector	
F200005205	57	J1408004	93
F200005207	57	Contactora	
F200005208	57	F330163	97
F200005209	57	F330175P	97
F200005210	57	F330177P	95, 97
F200005211	57	F330180P	97
F200005212	57	F330182	95, 97
F200010000P	47	Control Box Assembly	
F200010001	49	F0637033-01	17
F200010002	49	Control Cover	
F200010003	49	F0634903-00	43
F200010004	49	Control Decal	
F200010005	49	F231524-1	65
F200010006	47	F231524-2	65
F200010007	47	Control Panel Assembly	
F200010008	49	F0636541-00	61
F200010009	47	Control Panel Decal	
F200010010	49	F0231440-00	65
F200010011	47	F0231589-51	61
F200010012	47	F0231589-52	61
F200021600	51	F0231589-53	61
F200021601	51	F0231593-51	63
F200021602	51	F0231606-51	61
F200021603	51	F0231606-52	61
F200021604	51	F0231606-53	61
F200021605	51	F0231613-51	63
Coin Meter Blocking Coil		F0231616-51	63
F160466P	55, 57	F231471	67
F160467P	55, 57	F231494	67
Coin Meter Decal		F231524-3	65
F0231595-00	57	F231549	67
Coin Meter Insert		Cooling Fan Filter Slide	
F608925	55, 57	F633321	19, 31
Coin Meter Insert Decal		Counterclockwise Spin Rotation Decal	
F231010	55	F230693	11
Coin Meter Mounting Assembly			
F0636445-01	43		
Coin Meter Mounting Kit			
F0636445-00	43		

N/A items do not appear in index.

D

DIN Valve Adapter Kit F8382301	83, 99, 101
DIN Valve Kit F8521501	99
F8521601	101
F8521801	83, 99, 101
Disconnect Power Warning Label 505281	11, 39
Display Window Cover F200181500	23, 39
Do Not Lift Decal F230216	11
Do Not Open Warning Decal F200284600	11
Door Assembly F608783-2	73
Door Bezel F170419-1	69
F170419-2	69
Door Gasket F170164	73
Door Glass Gasket F170115	73
Door Handle F150225	73
Door Handle Kit F730155	73
Door Hinge F190216P	73
Door Hinge Shim Kit F200131000P	73
Door Lock Assembly F0636698-01P	79
F0636698-03	79
F200136800P	75
F200136801	75
F200321402	77
F200321403	77
Door Lock Assembly Cover F603003	75, 77, 79
Door Lock Catch Casting F150261	75, 77, 79
Door Lock Control CCA F370432P	13
Door Lock Kit F0798839-00	75
F0798839-01	75
Door Lock Microswitch F200203200	75, 77, 79
Door Lock Pin Linkage F150455	75, 77, 79
Door Lock Pin Release Spring F310137	75, 77, 79
Door Lock Plate Assembly F8066701	75, 77, 79
Door Lock Plate Shim F8059701	75, 77, 79
Door Lock Retainer Latch F0636103-00	75
Door Lock Solenoid F0300131-00P	75

Door Lock Splash Shield F320200	75, 77, 79
Door Lock Spring F310125	73
Door Lock Sub-Assembly F063667701	77
Door Lock Switch Lever F0636636-00	75, 77, 79
Door Lock Torsion Spring F310110	75, 77, 79
Door Locking Linkage Pin F431231	75, 77, 79
Door Mount F150271	73
Door Release Solenoid F300128P	75
Door Retainer Spinning F320102	73
Door Spacer F0150273-00	73
Door Switch F340200	77, 79
Door Warning Label 81968	11
Door Weldment F608782-2	73
Double-Coated Tape F410212	71
Drain Hose F150400	91
Drain Motor F380943P	91
Drain Tee F150398	91
Drain Valve Cover F200133600	91
Drain Valve Kit F200166302	91
F200166402	91
Drain Valve Motor and Gear Box Assembly G159764P	91
Drive Kit, 160-Series to PowerFlex 40 F8172805	33, 41
F8172806	25
F8172807	33, 41
F8172808	25
F8172903	33, 41
F8172904	25
Drive Motor Pulley F280289P	93

E

Elbow 70079601	99, 101
Electronic Coin Drop Assembly 70294103P	51
70294104	51
70294105P	51
70294106	51
70294107	51
70294111	51

N/A items do not appear in index.

Electronic Coin Drop Kit	
CK099	51
CK100	51
CK101	51
CK103	51
CK109	51
CK110	51
CK113	51
CK115	51
CK501	51
Element	
F360205P	95, 97
E-Ring Retainer	
F310205	75, 77, 79
External Supply Connection Decal	
F231376-5	81
F231376-6	81
External Supply Fuse Decal	
F231271	81

F

Fan Guard	
F0220922-00	23, 31, 39
Female Pin Terminal	
00430	55, 57
Fiberglass Blanket	
F410301	95, 97, 99, 101
Filter	
F0270321-00P	19, 23, 31, 39
F270305	87
F270306P	87
Filter Handle Decal	
F231377	19, 31, 39
Filter Housing Cap Gasket	
F270407	87
Flange Relay	
F330227	17, 27
F330230	21, 27, 29, 35, 37
Flow Restrictor	
F380119	83
Frame Assembly	
F633673	71
Front Bearing Kit	
F745015-1	93
Front Cabinet Brace	
F634804	69
Front Panel	
F634688-2	69
F634688-5	69
F634818-5P	69
F8200701P	69
F8200702P	69
Fuse	
F350108	17, 21, 45
F350109	17, 21, 45
F350110	13, 17, 19, 21, 45
F350115	13, 81
F350117	19
F350142	13
F350145	13
F350146	13
Fuse Decal	
F231393	19

F231394	19
Fuse Holder	
F0350312-10	13, 19, 81
Fuse Holder Bracket	
F633512	81
Fuse Terminal Mounting Bracket	
F633322	19

G

Glass	
F290210P	73
Grease Fitting	
F190701	93
Grease Gun	
F210207P	103
Grease Gun Kit	
F798700	103
Grease Manifold	
F320326	93
Grommet	
F170607	15
F200139500	81
Ground Decal	
F230630	11, 85
F230739	11, 85
Ground Terminal Lug	
F140734	81

H

Harness	
F631973-2	53
Heating Element Plug	
F360202	97, 101
HIM Drive	
F370851P	103
Hose Barb	
F421930	83
Hose Clamp	
F200201	85, 91
F200213	85, 89, 91
36801	81, 83, 89
Hot Water Valve Decal	
F231367	85

I

Injection Nozzle	
F8322001	81
Injection Nozzle Kit	
F730168	81
Input Block	
F0140798-00P	29, 35, 37
Input Power Block	
F140747	29, 35, 81
F140748	81
Input Power Connection Box Cover	
F602533	81

N/A items do not appear in index.

Insulator Bushing	
F140909	13
Interface CCA	
F200017400P	45
F200209200	45
Inverter Drive	
F370843	13, 19, 23, 31, 39
F370844	13, 19, 31, 39

K

Key	
F160420	59
F160421	59
F160423	59
F608824-1	93
70155603	71
Keypad	
F0231582-01P	43
F0231582-03P	43
F0231582-05P	43
F0231582-06P	43
F0231582-07P	43
F0231582-08P	43
F0231582-16P	43
F0231582-17P	43
F0231582-19	43
F023158231P	43
F023158232P	43
F370576P	27
F8132501P	43

L

L-Catch Kit	
F746808	75, 77, 79
Left Side Panel	
F0636547-00	71
F0636548-00	71
Lid Clamp Assembly	
F630430	71
Lid Lock Pin	
F0190808-00P	71
Light	
F350411	27
F350413	27
Line Reactor Kit	
F0360159-00P	13, 19, 23, 31, 39
F0360166-00P	13, 19, 31, 39
Liquid Supply Decal	
F230877	11
Locknut Spanner Wrench	
F703654	103
Logic Control Assembly	
F160203P	15
Lubrication Instruction Decal	
F231078	93

M

Magnet	
F8390801	73

Magnetic Switch	
F0340723-00	69
Magnetic Switch Assembly	
F200321300	69
Main Harness	
F200205802	37
Male Connector	
F140571	55, 57
Membrane Switch	
F340605P	27
F340608P	27
F340614P	27
F340615P	27
F340616P	27
Microcomputer	
F370313-13P	27
F370313-50P	27
Module Box Assembly	
F200100102	21, 37
F200100103	21, 35
Module Box Cover	
F0637178-00	17
Module Box Tray	
F0636185-01	29
Momentary Switch	
F200120100	63
F340412	63, 67
Motor	
F220236P	93
Motor Pulley Bushing	
F280211P	93
Mounting Bracket Assembly	
F0636707-00	43, 47
F635319	43, 49, 51
F635320	43, 53
Muffin Fan	
F110105	23, 31, 39
F110106	19
F110110	13, 23, 31, 39

N

Network Board Assembly	
210016P	15
Network Board Harness	
F141886	15
Network Interface Control Mounting Bracket	
F634769	15
Network Interface Harness	
F141888-2	15
Nipple	
F420709	99, 101
F420710	99, 101
F420718	99, 101
F421969	83
Nut	
F430201	89, 93
F430215	13, 71, 73, 77, 79, 89, 91, 99, 101
F430218	89
F430225	75, 77, 79
F430231	13, 23, 27, 29, 31, 35, 39, 43, 77, 79, 85, 97
F430232	15, 17, 27, 29, 31, 35, 37, 39, 73, 75, 77, 79
F430239	93
F430243	55, 57

N/A items do not appear in index.

F430264	69, 75, 77, 79
F431016	13, 19, 23, 35, 37
F431017	15, 43, 53, 75, 77, 79, 89
F431022	13, 19, 21, 45, 73, 81
F431024	71
F431041	73
F431806	29, 35, 37
F8549401	73
20274	71, 93
685846	43, 47, 49, 51
802292	83

O

On/Off Switch Assembly	
F0636445-02	43
Optic Switch Kit	
F775801-03P	55, 57
Opto Coupler	
200674P	47, 49
O-Ring	
F170208	81
Output Board Cover	
F0170427-00	29, 35, 37
Output Board VCMP Assembly	
F8206501P	17
F8206502P	21
Output CCA	
F037044860-1	45
F037044860-2	17, 21, 45
Output Relay CCA	
F370433P	13
Overflow Hose	
F150401	91
Overlay	
F231402	67
F231404	67
70295101	51
70295301	51
Overlay Decal	
F200116200	61
F200116201	61

P

Personal Injury Warning Decal	
F231065	11
Plug	
F200202600	99, 101
F420409	99, 101
F421507	95, 97
Pop Rivet	
F431215	29, 35, 47, 49, 55, 57
PowerFlex 40 Drive	
F8169416	25, 33, 41
F8169417	25, 33, 41
F8169418	25, 33, 41
Pulse Expander Assembly	
F8034701P	51
Push Red Button Decal	
F230661	11, 73
Pushbutton Rod	
F320300	73

N/A items do not appear in index.

R

Ratchet Fastener	
F0432316-00	21, 29, 35, 37
Rear Bearing Kit	
F745016-1	93
Rear Drain Hose	
F0150399-00	91
Rear Fill Hose	
F150492	85
Rear Panel	
F603976	71
Red Dot Decal	
F230662	73
Reducer Bushing	
F421936	95, 97, 101
Relay	
M412534	13
Remove Door Lock Tag	
F230528	11
Replacement Filter	
F270405	87
F270406	87
Ribbon Cable	
F140215	27
F140216P	17
F140219P	43
Right Side Panel	
F0636546-00	71
Rivet	
F432005	15
Rocker Switch	
F340411	27, 63
Rod	
F602813-3	73

S

Screw	
F0430165-00	21, 29, 35, 37
F0430268-00	81
F430103	91
F430107	89
F430108	71, 99, 101
F430115	99, 101
F430144	89
F430174	23, 31, 39, 69, 71, 81
F430177	85
F430185	93
F430532	73
F430536	73
F430903	15, 29, 35, 37, 81
F430909	13, 19, 23, 35, 37
F430916	13, 17, 23, 31, 39, 73, 81
F430917	97
F430922	23, 39
F430925	71, 93
F430928	13, 19, 21, 43, 45
F430929	81
F430938	29, 35
F430947	89, 93
F430956	69, 75, 77, 79, 81
F430977	75, 77, 79

F430982	75, 77, 79
F430993	93
F430996	13
F431702	29, 35, 37
F8535601	31, 39, 73
800461	71
Shaft Seal Sleeve	
F8312007P	89
Shell Band Fastener Kit	
F791001	89
Shell Band Kit	
F8537808	89
Shell Front Assembly	
F603988P	89
Shell Front Gasket Kit	
F792000	89
Shell Weldment	
F0636525-00	89
F0637017-00	89, 95, 99
Side Panel Assembly	
F200218100	71
Signal Light	
F350404	29
Siphon Tube	
F150390	81
Snap Bushing	
F140938	81
Solenoid	
F300124P	77, 79
F300125P	79
Spacer	
F431901	75, 77, 79
Spring Pin	
F431222	73
Standoff	
F180501	13, 17, 19, 21, 29, 35, 37
F180506	13, 15, 81
Steam Bracket Assembly	
F601186	99, 101
Steam Filter	
F270307	99, 101
Steam Hose	
F200153P	99, 101
Steam Injection Tube	
F603048	99
Steam Injector Tube Assembly	
F603131	99, 101
Steam Valve Repair Kit	
F380984P	99, 101
Street Elbow	
H86070034	99, 101
Supply Dispenser Assembly	
F200202201	81
Supply Dispenser Bezel	
F0150503-00	81
Supply Dispenser Hose	
F8061601	89
Supply Dispenser Lid	
F200270500	71
Supply Dispenser Standoff	
F0150504-00	81
Supply Dispenser Sub-Assembly	
F602374	81

Support	
F603947	71
Switch	
F340901	71
Switch Extension	
F340913	71
Switch Mounting Plate Sub-Assembly	
F633540	27
Switch Panel Decal	
F231381	27
F231449	27

T

Tee	
F422806	95, 97, 99
Temperature Probe	
F370606P	97, 101
Temperature Probe Assembly	
F8045001	95
Terminal	
F140766	81
F140768	19
Terminal Block	
M413865	81
Thermistor Sensor	
F370609	97
Thermostat	
F0290116-00	13, 19, 21, 45
F290115	13, 19
Time Delay Assembly	
F200296100P	29, 35
Timer	
F0330404-00P	21, 29, 35, 37
Top Cover Assembly	
F0636545-00P	71
Top Cover Stiffener	
F603980	71
Transformer	
C000203	89
F0360170-00P	13
F360156P	89
803527P	51
Transformer Mounting Plate	
F632745	89
Trim	
F015050100P	69
Triple Lip Seal	
F8203804	93
Tubing	
C000628P	93
F0140941-00	29, 35
F422404P	95, 97, 99

V

Vacuum Breaker Assembly	
F603031	85
Vacuum Breaker Bottom	
F015033000	85
Vacuum Breaker Top	
F0150329-00	85

N/A items do not appear in index.

Valve	
F8322801P	99, 101
F8322802	101
F8322803P	83
F8322807P	83
F8322909P	83
Valve Coil	
F8514801	83
Valve Kit	
F8379501	99, 101
Valve Panel Assembly	
F0636543-00	71, 81
F0636543-01	81
Valve Transition Kit	
F8456201P	83
F8456202P	83
Valve, 2-Way	
F0381751-00P	83
F381721P	83
F381722P	83
Velcro	
F140639	19, 31, 39

Y

Y Connector	
F422808	85

W

Washer	
F430300	93
F430311	15
F430317	71, 91, 101
F430322	81
F430339	93
F431100	73, 75, 77, 79
F431113	13, 19, 21, 45, 73, 81
F431123	75, 77, 79
F431133	31
F431137	13
F431147	71, 75, 79
F431902	75, 77, 79
F431916	73
F8195301	35, 37
M400014	93
M400081	71, 89, 93
20290	83, 87
803615	87
901690	17, 89, 93
Water Connection Inlet Manifold	
F150246	83
F150247	83
Water Hose	
F200108P	81
F200116	87
F200164	87
F200165	87
F200166	87
Water Level Switch	
F0340351-10P	13, 17, 21, 43, 97
Water Level Switch Bracket	
F631920	13, 17
Water Pressure Switch	
F8223001P	17, 21, 43, 95, 97, 99

N/A items do not appear in index.