

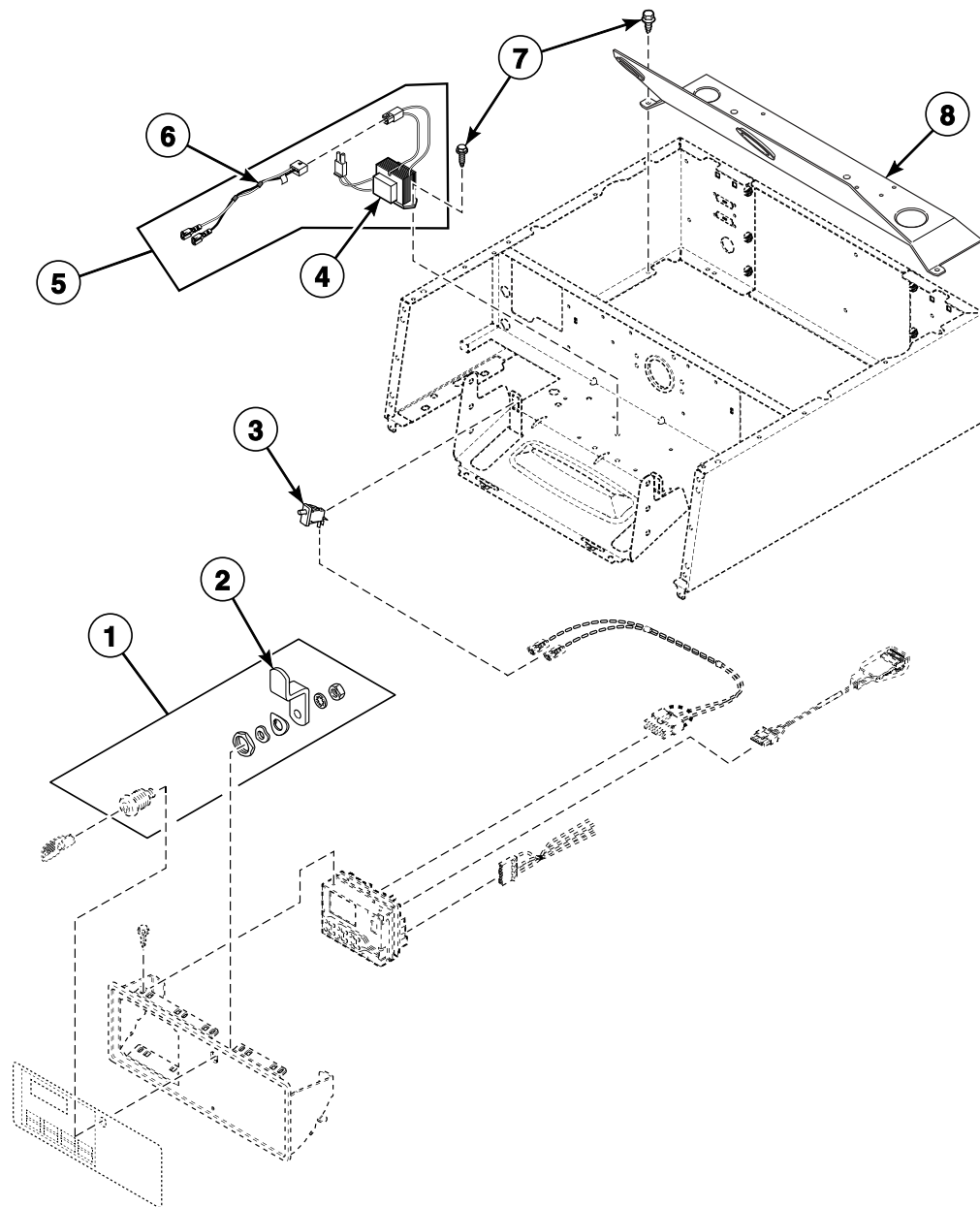


Registered Trademark of Alliance Laundry Systems, LLC
© 2022 All Rights Reserved

Manual: **806117** Product: **Frontload Washer** Model: **HFNKASG113TW01** Date: **12/1/2022 9:28 AM**

Control Panel and Controls (Drawing 1 of 2)

10 Degree Front Control Models



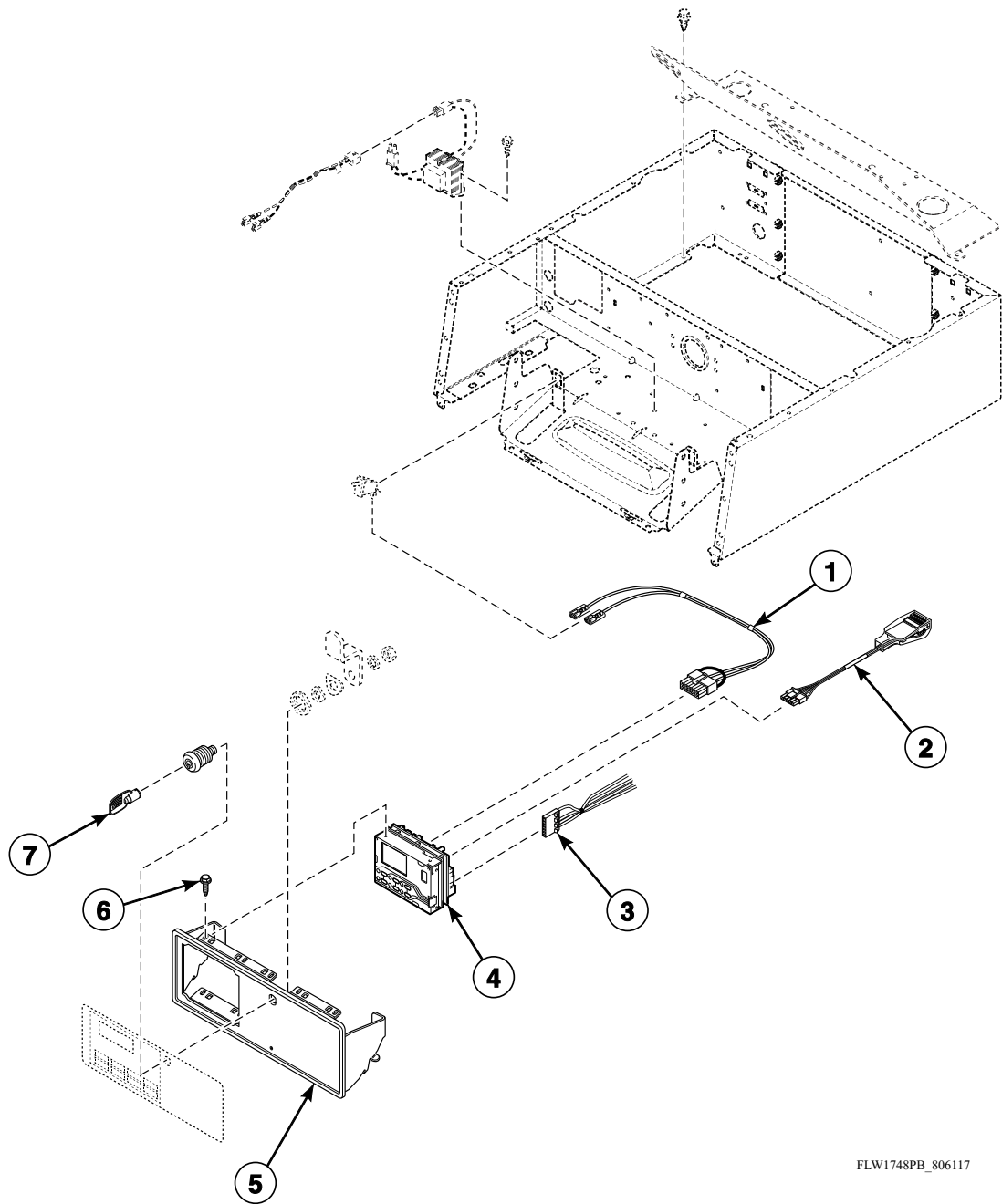
FLW1748P_806117

Ref	Part	Description	Comments
	807173	Central Pay Kit	
	205069	Payment Center Kit	Includes printer
	205070	Payment Center Kit	
1	804339P	Lock Assembly	
2	804338	Lock Cam	

Ref	Part	Description	Comments
3	D512973	Switch	
4	202757	Transformer	120 Volt
	202758	Transformer	240 Volt
5	203423	Transformer Kit	120 Volt; Includes items 4 and 6
	203424	Transformer Kit	240 Volt; Includes items 4 and 6
6	804795	Transformer Harness	120 Volt
	805428	Transformer Harness	240 Volt
7	D503688	Screw	
8	804363	Control Shield	

Control Panel and Controls (Drawing 2 of 2)

10 Degree Front Control Models



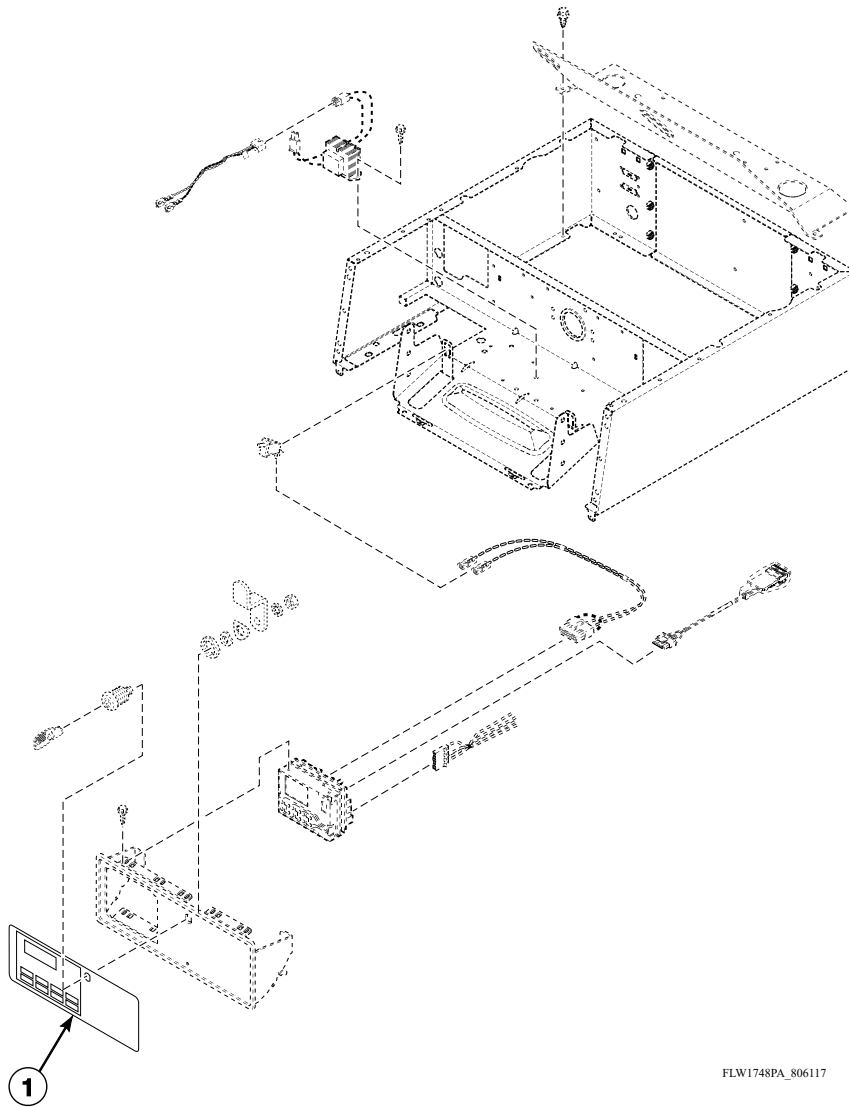
FLW1748PB_806117

Ref	Part	Description	Comments
	205067	NOT ON YOUR MODEL	
	205068	NOT ON YOUR MODEL	
1	202868	NOT ON YOUR MODEL	
2	203361P	Machine ID Control Assembly	

Ref	Part	Description	Comments
3	805427	Central Pay Harness	
4	806268P	NOT ON YOUR MODEL	
	807459	NOT ON YOUR MODEL	
	806267P	Control Assembly	Green LEDs; through Serial No. 2012999999
	808121	NOT ON YOUR MODEL	
	807458	Control Assembly	Green LEDs; starting Serial No. 2101000001
5	804070Q	Control Panel Assembly	Bisque
	804070W	Control Panel Assembly	White
	804070B	Control Panel Assembly	Black
6	804647	Screw	
7	54612	Key	GR800

Control Panel Overlay

10 Degree Front Control Models

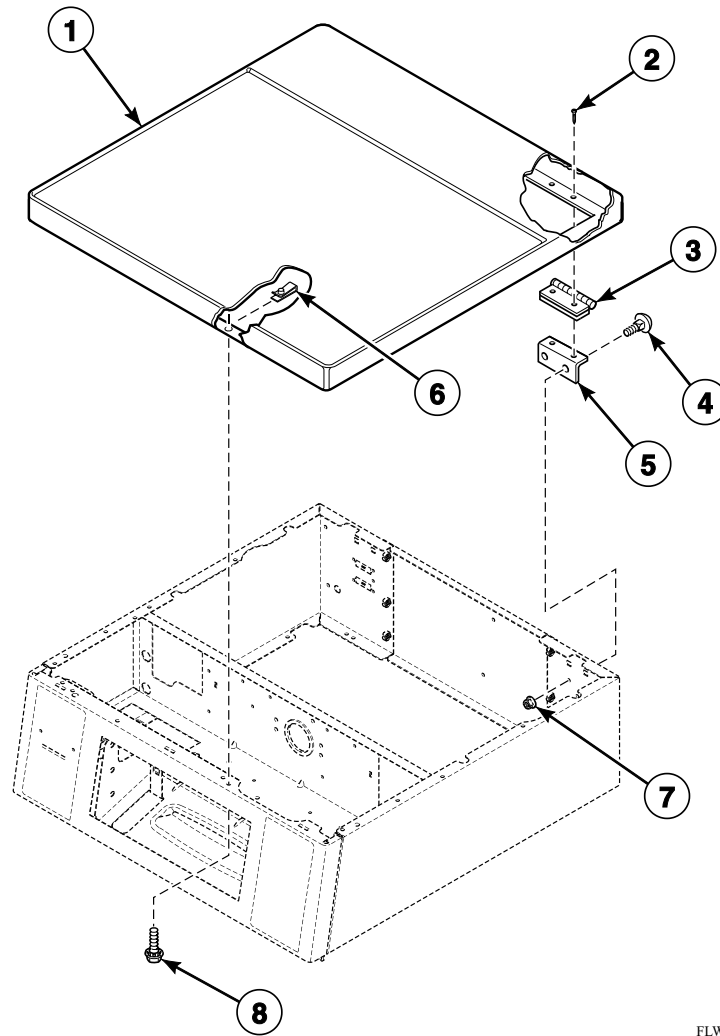


FLW1748PA_806117

Ref	Part	Description	Comments
1	805735	NOT ON YOUR MODEL	
	805394	NOT ON YOUR MODEL	
	805393	NOT ON YOUR MODEL	
	805034	NOT ON YOUR MODEL	
	805616	NOT ON YOUR MODEL	
	805615	NOT ON YOUR MODEL	
	807754	NOT ON YOUR MODEL	
	805614	Overlay	

Top Assembly

10 Degree Front Control Models



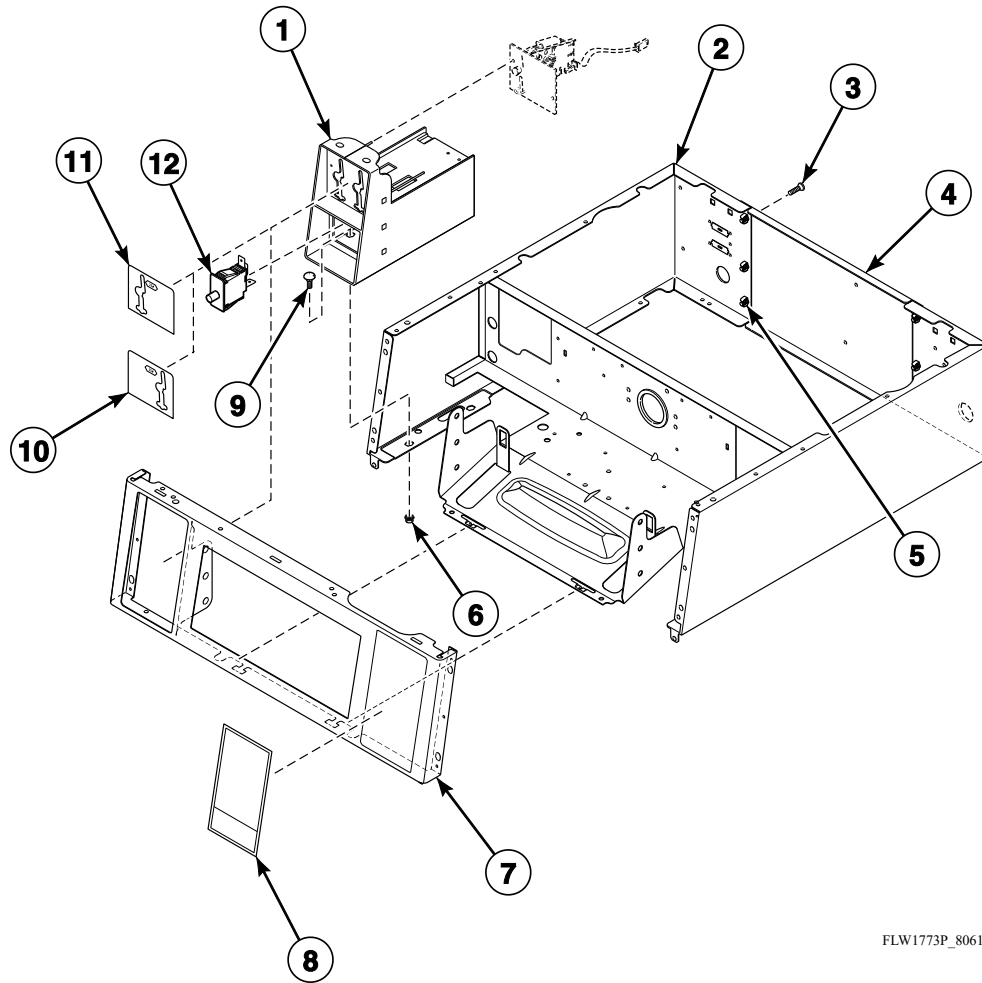
FLW1749P_806117

Ref	Part	Description	Comments
1	803868WP	Top Panel	White
	803868Q	Top Panel	Bisque
	803869	Top Panel	Stainless steel
2	685847	Pop Rivet	

Ref	Part	Description	Comments
3	D511036	Hinge	
4	29651	Bolt	
5	D504228	Top Mounting Bracket	
6	36020	Nut	
7	44087201	Nut	
8	23008	Screw	

Control Cabinet and Meter Case

Front Control Coin Models



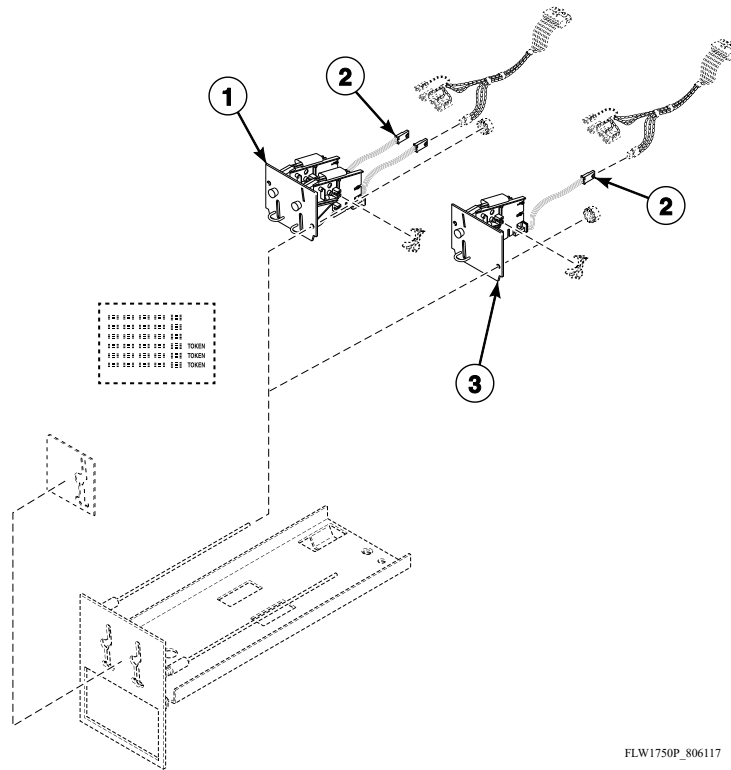
FLW1773P_806117

Ref	Part	Description	Comments
1	807396B	Meter Case Assembly	Black
	804009Q	Meter Case Assembly	Bisque
	807396W	Meter Case Assembly	White
2	804104B	Wrapper Assembly	Black

Ref	Part	Description	Comments
	804104Q	Wrapper Assembly	Bisque
	804104W	Wrapper Assembly	White
3	70240301	Screw	6 required
4	803998	Rear Access Panel	
5	70030501	Expansion Clip	6 required
6	44087201	Nut	
7	803962BP	Control Panel	Black
	803962Q	Control Panel	Bisque
	803962WP	Control Panel	White
8	804846	Operating Instruction Label	Icon
	804327	Operating Instruction Label	English
9	29651	Bolt	
10	38717	Single Overlay	\$.25
	39073	Dual Overlay	\$.25/\$1.00
11	201091	Overlay	For electronic coin drops
12	D512973	Switch	

Non-Electronic Coin Drop

Coin Drop Models



FLW1750P_806117

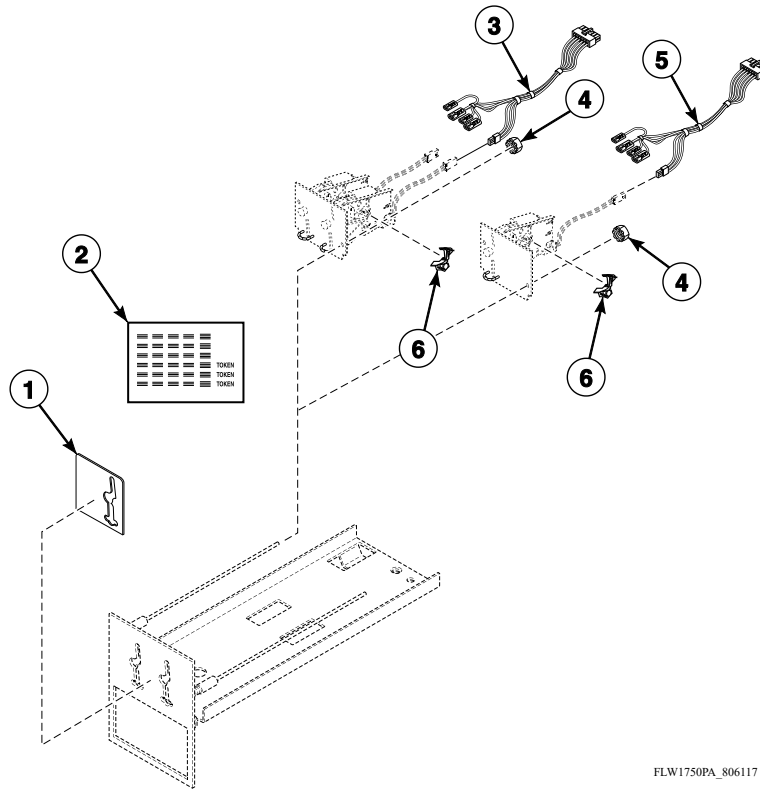
Ref	Part	Description	Comments
1	70441603	Coin Drop	Dual; U.S.A.; \$.25 and \$1.00
	38467	Coin Drop Assembly	Dual; Australia; \$0.20 and \$1.00
	70447301	Coin Drop Assembly	Dual; Australia; \$1.00 and \$2.00
	70441602	Coin Drop Assembly	Dual; Canada; .25 and 1.00
	38472	Coin Drop Assembly	Dual; England; 20 pence and 1 pound
	38519	Coin Drop Assembly	Dual; Japan; 100 yen and 500 yen
	38521	Coin Drop Assembly	Dual; Korea; 100 won and 500 won
	70482401	Coin Drop Assembly	Dual; New Zealand; \$1.00 and \$2.00
	553192	Coin Drop Assembly	Dual; Danish Crown

Ref	Part	Description	Comments
	39157	Coin Drop Assembly	Dual; Israel; 1 and 5 Shekel
	210195	Coin Drop Assembly	Dual; 0.20 and 1.00 Euro
	210196	Coin Drop Assembly	Dual; 0.50 and 1.00 Euro
	70281102	Coin Drop Assembly	Dual; Taiwan; 10 and 50 NT
	CK058	Coin Drop Kit	Dual; Canada; \$0.25 and \$1.00
	CK060	Coin Drop Kit	Dual; Australia; \$0.20 and \$1.00
	CK071	Coin Drop Kit	Dual; Japan; 100 yen and 500 yen
	CK086	Coin Drop Kit	Dual; Israel; 1 and 5 Shekel
	CK091	Coin Drop Kit	Dual; 0.20 and 1.00 Euro
	CK107	Coin Drop Kit	Dual; Taiwan; 10 and 50 NT
	CK111	Coin Drop Kit	Dual; Australia; \$1.00 and \$2.00
	CK122	Coin Drop Kit	Dual; New Zealand; \$1.00 and \$2.00
2	200674P	Opto Coupler	
3	70441601P	Coin Drop	Single; U.S.A.; \$.25
	200731	Coin Drop	Single; U.S.A.; \$1.00
	38464P	Coin Drop Assembly	Single; Canada; .25
	CK114	Coin Drop Assembly	Single; Singapore; Old \$1.00
	CK123	Coin Drop Kit	Single: Singapore; New \$1.00
	38462P	Coin Drop Assembly	Single; Token; STD 118-1
	38463	Coin Drop Assembly	Single; Token; STD 118-5
	38963P	Coin Drop	Single; Token STD 118-16
	38475	Coin Drop Assembly	Single; Japan; 100 yen
	70506901	Coin Drop Assembly	Single; Singapore; \$1.00 NEW
	39748	Coin Drop	Single; Jeton 08MS
	201141	Coin Drop Assembly	Single; Token; Jeton wh121
	CK055	Coin Drop Kit	Token STD 118-1
	CK056	Coin Drop Kit	Token STD 118-5
	CK057	Coin Drop Kit	Single; Canada; \$0.25
	CK077	Coin Drop Kit	Single; Taiwan; 10 NT
	CK078	Coin Drop Kit	Single; U.S.A.; \$0.25
	CK085	Coin Drop Kit	Single; Token STD 118-16
	CK089	Coin Drop Kit	Single; Japan; 100 yen
	CK090	Coin Drop Kit	Single; U.S.A.; \$1.00
	CK097	Coin Drop Kit	Single; Token; Jeton 08MS

Ref	Part	Description	Comments
CK098		Coin Drop Kit	Single; Token; Jeton wh121

Non-Electronic Coin Drop Harness

Coin Drop Models

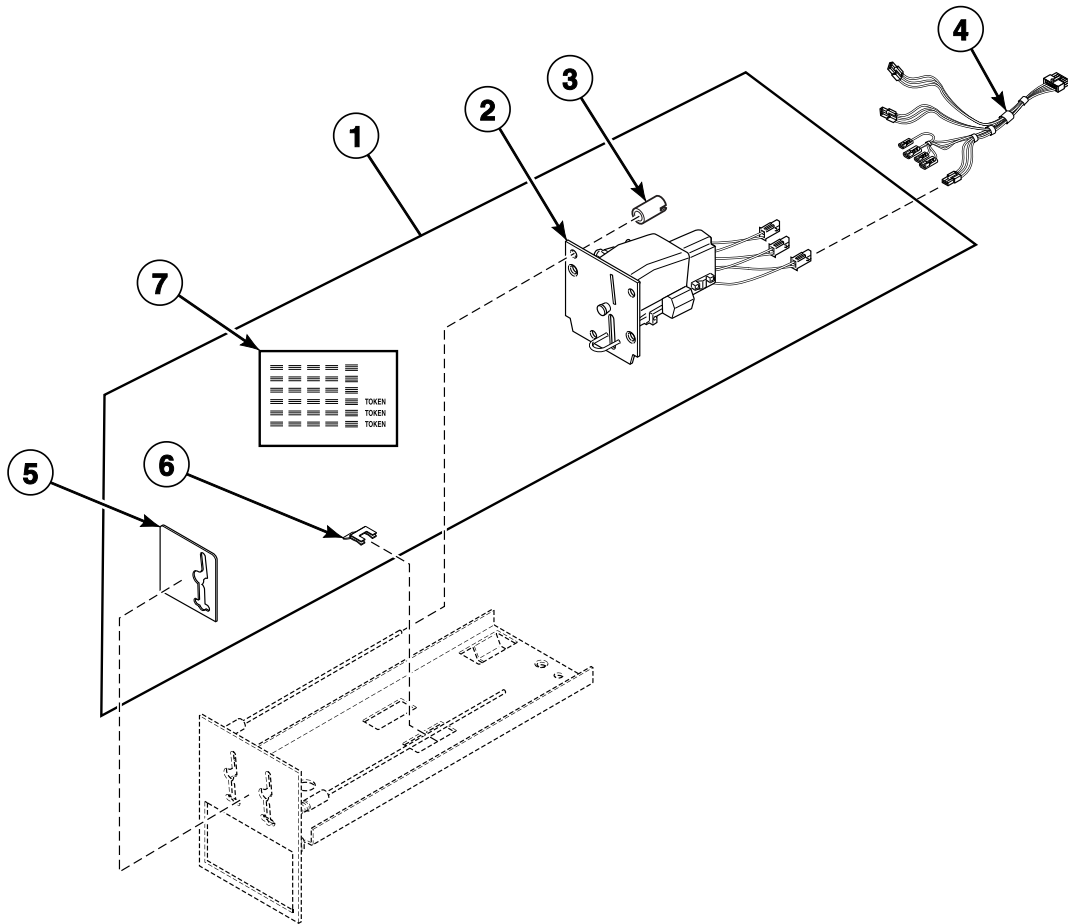


FLW1750PA_806117

Ref	Part	Description	Comments
1	38717	Single Overlay	
2	38725	Coin Identification Paper	
3	202871	Dual Coin Harness Assembly	Dual coin drop
4	29786	Nut	
5	202870	Single Coin Harness Assembly	Single coin drop
6	201595P	Wire Guard	Anti-stringing security device

Electronic Coin Drop

Coin Drop Models

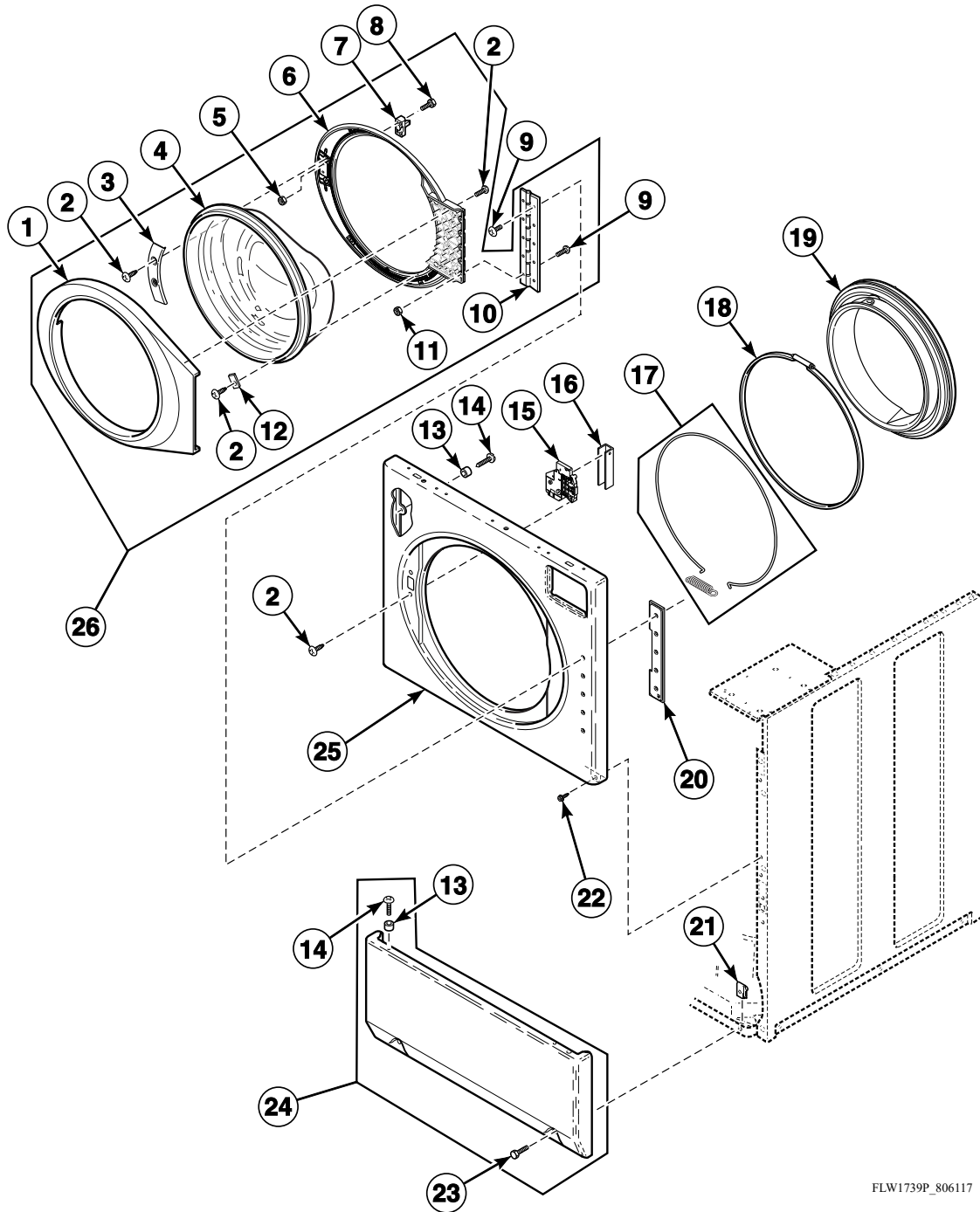


FLW1769P_806117

Ref	Part	Description	Comments
1	CK115	Electronic Coin Drop Kit	Includes items 2, 3 and 5-7; United States and Canada coins
	CK113	Electronic Coin Drop Kit	Includes items 2, 3 and 5-7; Japan and Taiwan coins
	CK099	Electronic Coin Drop Kit	Includes items 2, 3 and 5-7; Australia, New Zealand, Hong Kong and South Korea coins

Ref	Part	Description	Comments
	CK100	Electronic Coin Drop Kit	Includes items 2, 3 and 5-7; Euro and Great Britain coins
	CK101	Electronic Coin Drop Kit	Includes items 2, 3 and 5-7; Euro, Denmark and Norway coins
	CK103	Electronic Coin Drop Kit	Includes items 2, 3 and 5-7; Euro, Lithuania and Latvia coins
	CK108	Electronic Coin Drop Kit	Includes items 2, 3 and 5-7; South African 1, 2 and 5 rand coins
	CK109	Electronic Coin Drop Kit	Includes items 2, 3 and 5-7; Euro coins
	CK110	Electronic Coin Drop Kit	Includes items 2, 3 and 5-7; Mexico, Ecuador and United States coins
	CK116	Electronic Coin Drop Kit	Includes items 2, 3 and 5-7; Malaysia (old and new) and China coins
	CK117	Electronic Coin Drop Kit	Includes items 2, 3 and 5-7; Russian coins
	CK118	Electronic Coin Drop Kit	Includes items 2, 3 and 5-7; Philippine coins
	CK119	Electronic Coin Drop Kit	Includes items 2, 3 and 5-7; Thailand coins
	CK120	Electronic Coin Drop Kit	Includes items 2, 3 and 5-7; Chile coins
	CK121	Electronic Coin Drop Kit	Includes items 2, 3 and 5-7; Singapore coins
2	CK099	Electronic Coin Drop Kit	Australia, New Zealand, Hong Kong and South Korea coins
	70513302	Electronic Coin Drop Assembly	Euro and Great Britain coins
	70294104	Electronic Coin Drop Assembly	Euro, Denmark and Norway coins
	70294107	Electronic Coin Drop Assembly	Euro, Lithuania and Latvia coins
	70294109	Electronic Coin Drop Assembly	Malaysia, China, Russia and Singapore coins
	70294110	Electronic Coin Drop Assembly	South African 1, 2 and 5 rand coins
	70294111	Electronic Coin Drop Assembly	Euro coins
	70294122	Electronic Coin Drop Assembly	Great Britain and token coins
	70513306	Electronic Coin Drop Assembly	Mexico, Ecuador and United States coins
	70294120	Electronic Coin Drop Assembly	Chile coins
	70294121	Electronic Coin Drop Assembly	Singapore coins
	70294117	Electronic Coin Drop Assembly	Russia coins
	70294103P	Electronic Coin Drop Assembly	Euro and Great Britain coins
3	201216	NOT ON YOUR MODEL	
	29786	Nut	Hex nut
4	202871	Dual Coin Harness Assembly	Electronic coin drop requires this harness. If unit is not factory-equipped with this harness, it must be ordered separately.
5	201091	Overlay	
6	201572	Clip	
7	38725	Coin Identification Paper	

Front Panel, Door Assembly and Door Seal



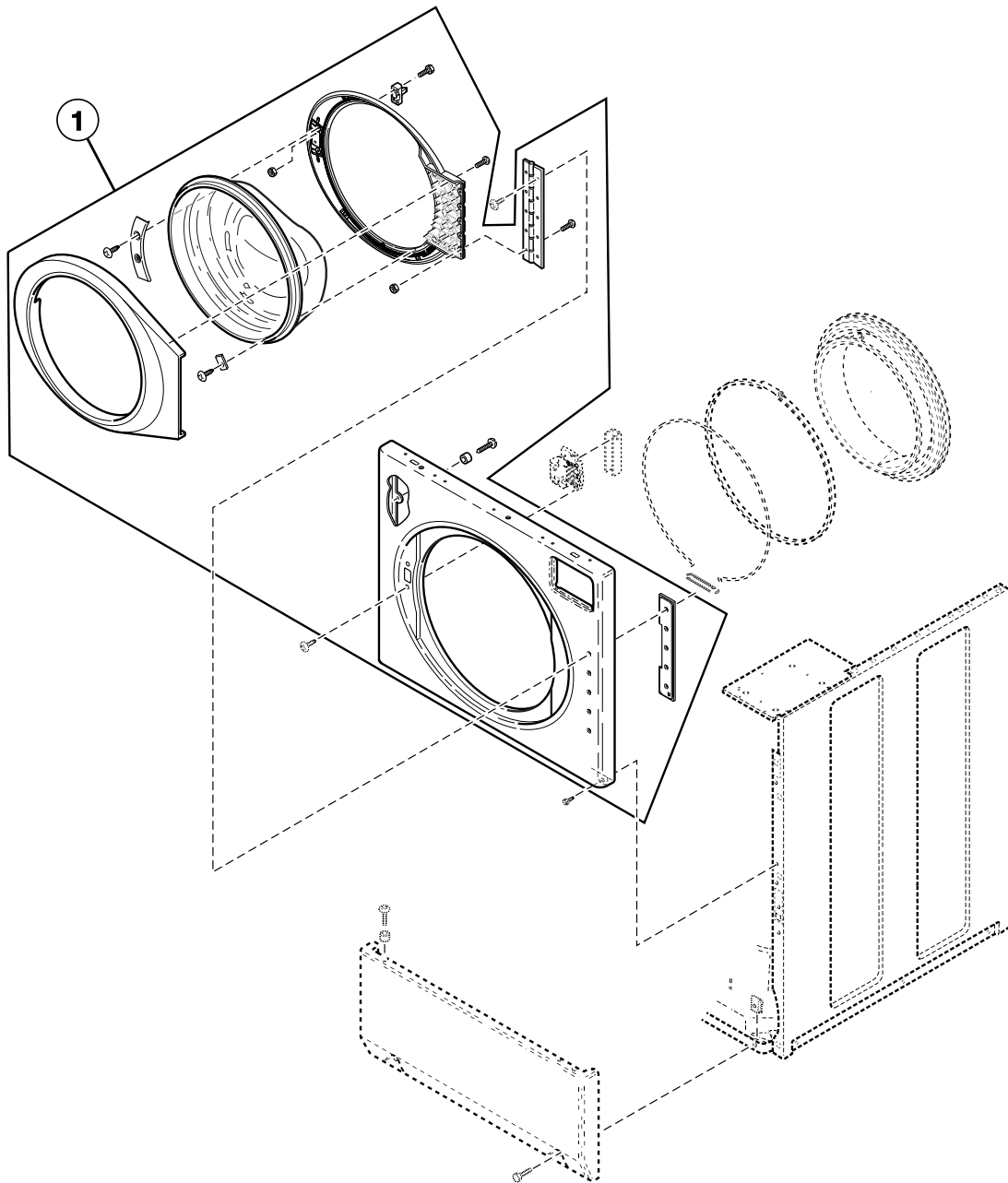
FLW1739P_806117

Ref	Part	Description	Comments
1	808094	Outer Door Bezel	White
	808092	Outer Door Bezel	Black
	808093	Outer Door Bezel	Bisque
	808091	Outer Door Bezel	Gray
2	800548	Screw	

Ref	Part	Description	Comments
3	806354	Door Glass Mounting Plate	
4	802695P	Door Glass	
5	685846	Nut	
6	808095	Inner Door Bezel Kit	White
	808096	Inner Door Bezel Kit	Gray
	808097	Inner Door Bezel	Glass filled polypropylene upgrade
7	802803	Door Catch Assembly	
8	801993	Screw	
9	801019	Screw	
10	802934	Door Hinge	
11	23951	Nut	
12	802700	Glass Mounting Clip	
13	56079	Panel Locator	
14	39733	Screw	Use with painted panels
	806086	Screw	Use with stainless steel panels
15	803920	Door Latch Assembly	
16	804784	NOT ON YOUR MODEL	
17	806466	Wire Ring and Spring	
18	802281	Hose Clamp	
19	804428P	Door Seal	Black
	804429P	Door Seal Assembly	Gray
20	802206	Hinge Plate	
21	36020	Nut	
22	D503661	Screw	
23	801045	Screw	Use with painted panels
	D512921	Screw	Use with stainless steel panels
24	804617W	Access Panel Assembly	White
	804617Q	Access Panel Assembly	Bisque
	804618	Access Panel Assembly	Stainless steel
25	802277WP	Front Panel	White
	802277QP	Front Panel	Bisque
	802288P	Front Panel	Stainless steel
26	804083WP	Door Assembly	White; Includes items 1-8, 10-12
	804083QP	Door Assembly	Bisque; Includes items 1-8, 10-12

Ref	Part	Description	Comments
805550P	Door Assembly		Black; Includes items 1-8, 10-12
804210P	Door Assembly		Gray; Includes items 1-8, 10-12

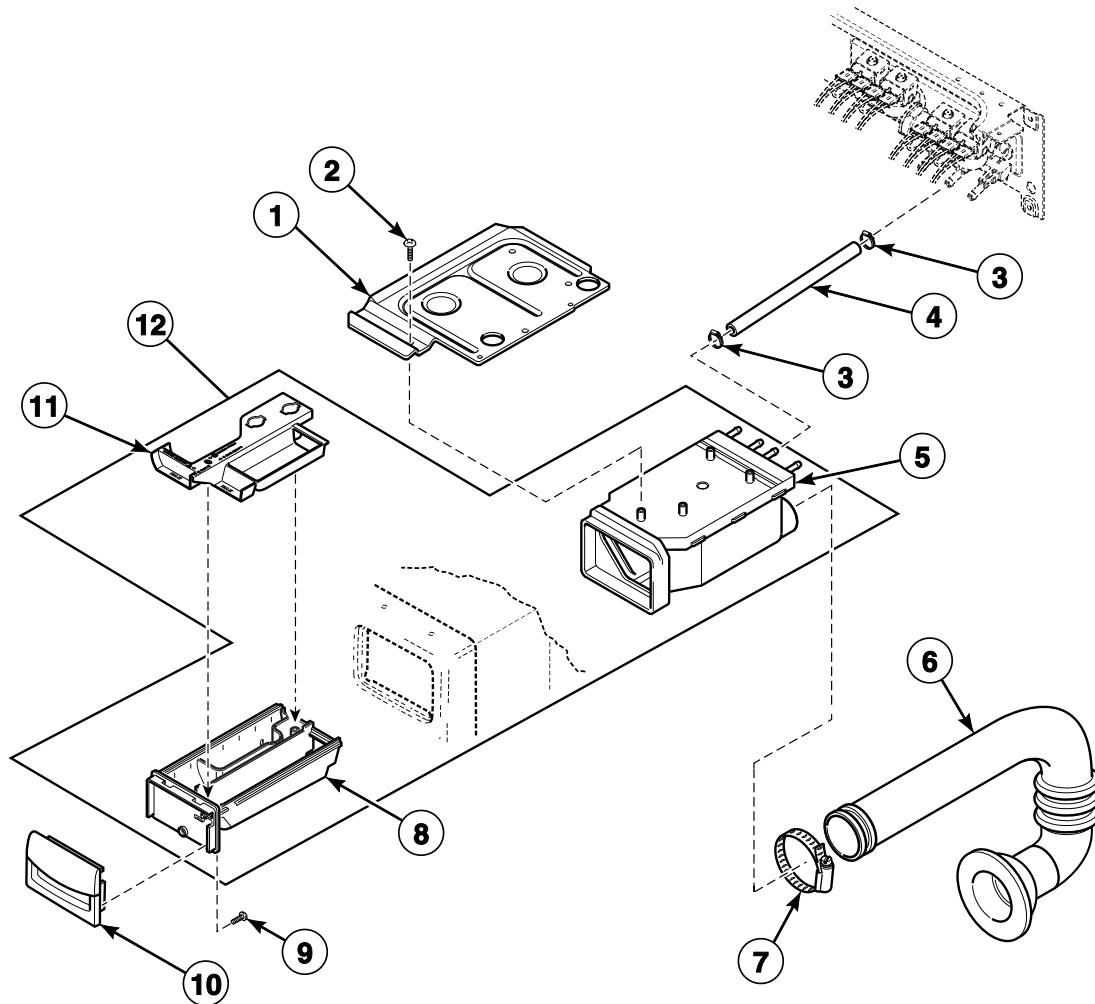
Front Panel Assembly



FLW1739PA_806117

Ref	Part	Description	Comments
1	806505W	Front Panel Assembly Kit	White
	806560	Front Panel Assembly Kit	Stainless steel

Dispenser Assembly

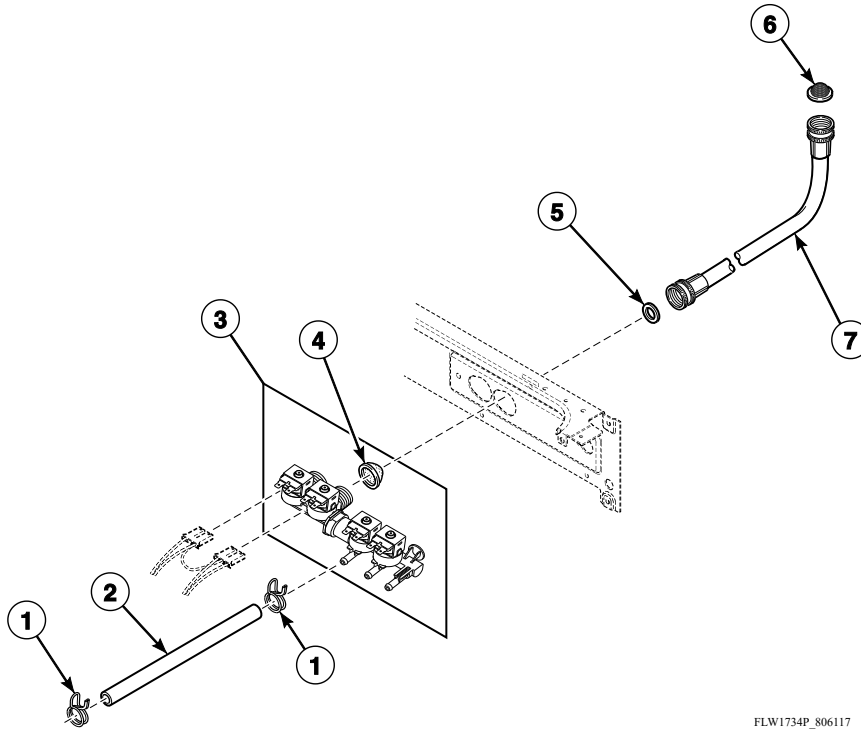


FLW1717P_806117

Ref	Part	Description	Comments
	804875	Foam Pad	
	805772	NOT ON YOUR MODEL	
	808078	NOT ON YOUR MODEL	
	805939	Chemical Injection Conversion Kit	
	808077	Chemical Injection Conversion Kit	

Ref	Part	Description	Comments
1	803843	Dispenser Plate	
2	801001	Screw	
3	807386	Hose Clamp	
4	803849	Dispenser Inlet Hose	Through Serial No.1810000001
	807364	Dispenser Inlet Hose	Starting Serial No.1810000001
5	803698	Dispenser Assembly	
6	804717	Detergent Hose	
7	685725	Hose Clamp	
8	803667	Dispenser Drawer	
9	800548	Screw	
10	804227WP	Dispenser Handle	White
	804227B	Dispenser Handle	Black
	804227Q	Dispenser Handle	Bisque
11	803669	Compartment Cover	
	803670	NOT ON YOUR MODEL	
12	805495P	Dispenser Assembly	Includes items 5, 8, 11 and 804875 Foam Pad

Mixing Valve, Inlet Hose and Dispenser Hose

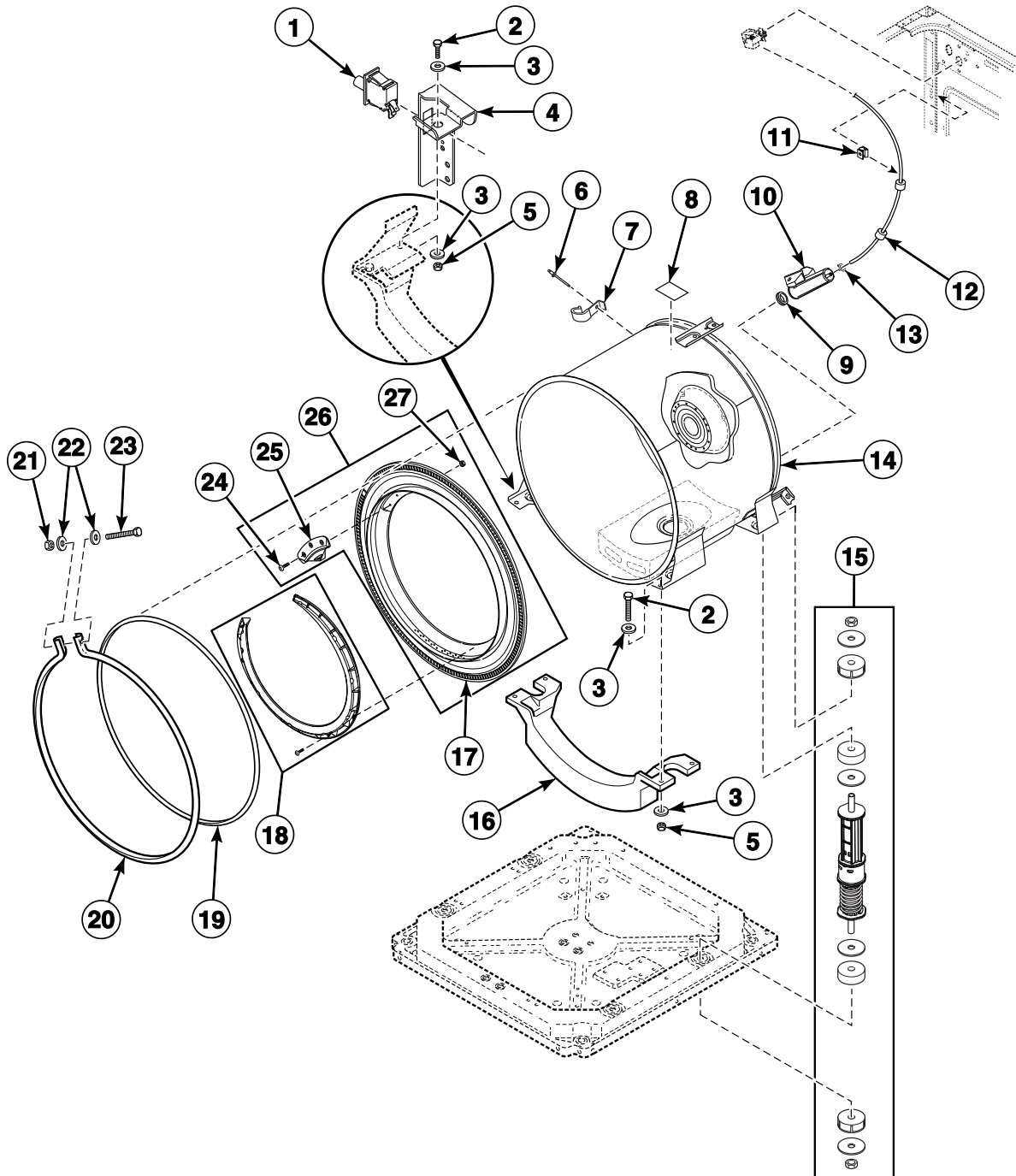


FLW1734P_806117

Ref	Part	Description	Comments
	804783	NOT ON YOUR MODEL	
1	807386	Hose Clamp	
2	803849	Dispenser Inlet Hose	Through Serial No.1810000001
	807364	Dispenser Inlet Hose	Starting Serial No.1810000001
3	807497P	NOT ON YOUR MODEL	
	806611P	NOT ON YOUR MODEL	
	806510P	NOT ON YOUR MODEL	
	807837P	Mixing Valve	100-127 Volt; GHT thread
4	24122	Mixing Valve Screen	
5	20290	Washer	

Ref	Part	Description	Comments
6	803615	Washer	Filter screen
	802254	Washer	Flow restrictor; Water pressure reducer; Available for water pressure up to but not exceeding 120 psi
7	203720	Fill Hose	4 feet; Marked for cold water; 2 GHT thread hose couplings
	203719	Fill Hose	4 feet; Marked for hot water; 2 GHT thread hose couplings
	203750	Fill Hose	4 feet; Marked for cold water; 1 GHT thread and 1 BSPP thread hose coupling
	203718	Fill Hose	4 feet; Marked for hot water; 1 GHT thread and 1 BSPP thread hose coupling
	204103	Fill Hose	4 feet; Marked for cold water; 2 BSPP thread hose couplings
	204102	Fill Hose	4 feet; Marked for hot water; 2 BSPP thread hose couplings

Outer Tub, Clamp Ring and Shock Absorbers

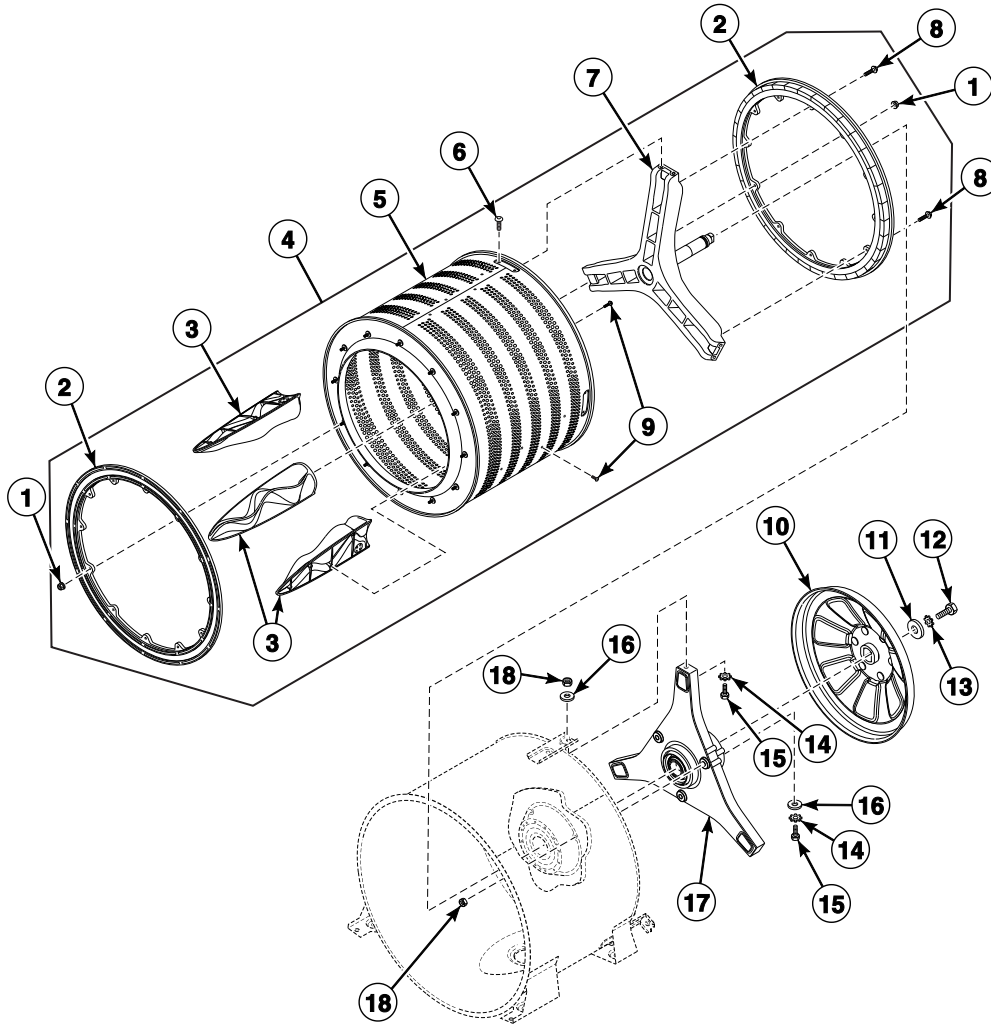


FLW1809P_806117

Ref	Part	Description	Comments
1	803415	Out-of-Balance Switch Assembly	Through Serial No. 2012999999
	807384	Out-of-Balance Switch Assembly	Starting Serial No. 2101000001
2	800461	Screw	
3	804458	Washer	
4	804457	Out-of-Balance Switch Bracket	Through Serial No. 2012999999
	807280	Out-of-Balance Switch Bracket	Starting Serial No. 2101000001

Ref	Part	Description	Comments
5	800452	Nut	
6	685847	Pop Rivet	
7	800553	Hose Clip	
8	D500049	Warning Label	
9	29175	Grommet	
10	808013	Pressure Bulb	
11	36985	Hose Clip	
12	804483	Pressure Sensor Tube Assembly	
13	803891	Hose Clamp	
14	803864	Outer Tub Assembly	Through Serial No. 1910999999 except Serial Nos. 1908066087 to 1909000879
	807618	Outer Tub Assembly	Serial Nos. 1908066087 to 1909000879 and starting Serial No. 1911000001 to 2010999999
	807479	Outer Tub Assembly	Starting Serial No. 2011000001
15	803777P	Shock Assembly	Must replace all four
16	807476	Counterweight	
17	803770	Tub Front	
18	806308	Foreign Object Deflector	Black; Includes screws
	806313	Foreign Object Deflector	Gray; Includes screws
	806361	Foreign Object Deflector	Tall; Gray; Includes screws
19	803801	Tub Front Seal	
20	803802	Clamp Ring	
21	F430218	Nut	
22	M400081	Washer	8 required
23	800462	Screw	
24	802596	Screw	
25	804467	Clothes Guard Deflector	
	805548	Clothes Guard Deflector	Heavy duty
26	803879	Tub Front Assembly	Includes items 17, 24, 25 and 27
27	802343	Nut	

Inner Basket, Trunnion, Bearing Housing and Pulley

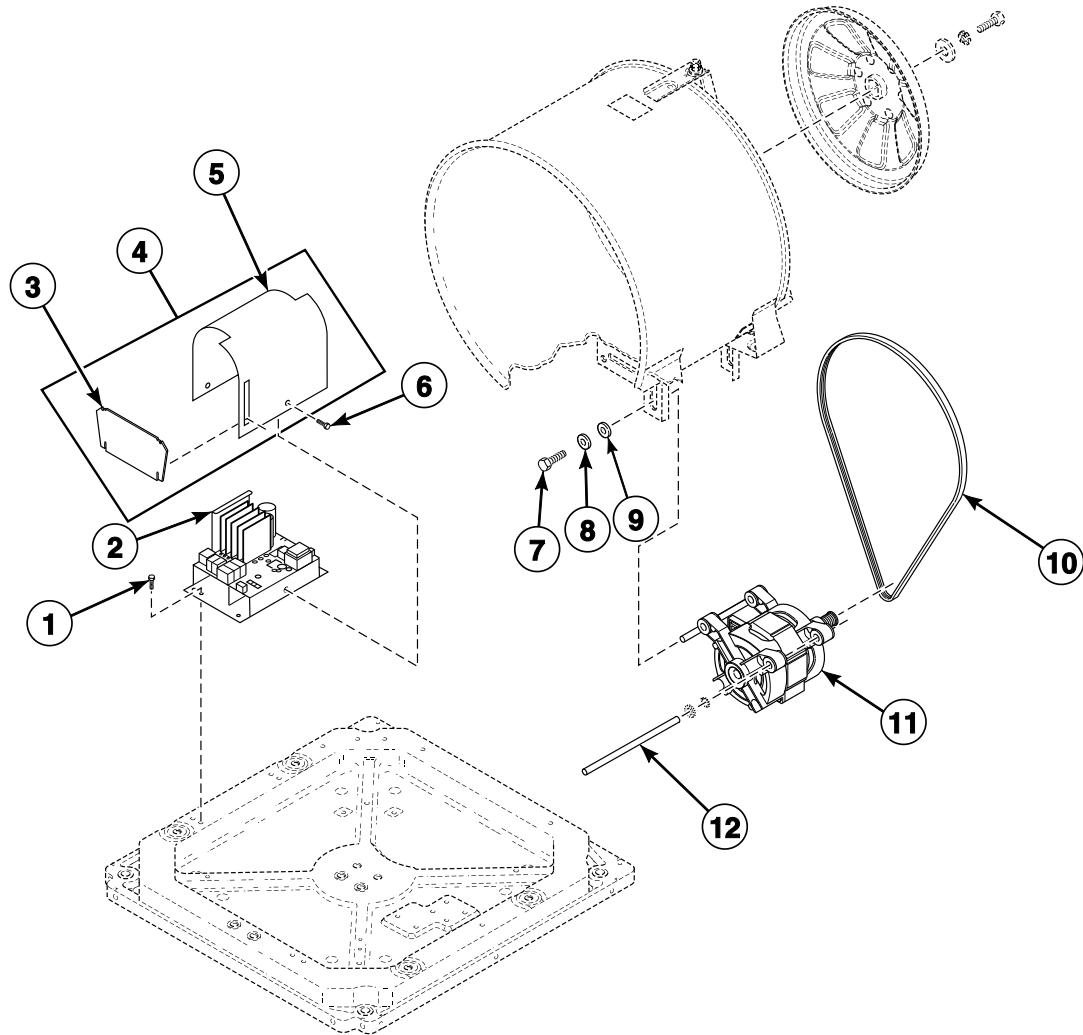


FLW1803P_806117

Ref	Part	Description	Comments
	27604P	Anti-Seize Compound	Pulley to inner basket shaft
1	804418	Nut	
2	804393	Balance Ring Assembly	
3	804382	Lifter	
4	805485	NOT ON YOUR MODEL	
	804376P	Inner Basket Assembly Kit	
5	804374P	Inner Basket Assembly	
6	804699	Screw	
7	806831	NOT ON YOUR MODEL	
	808043	Trunnion Shaft Kit	Includes hardware

Ref	Part	Description	Comments
8	804399	Screw	
9	800548	Screw	
10	803974	Pulley Assembly	
11	807679	Washer	
12	685831	Screw	Left hand thread
13	M403958	Washer	Used on models through Serial No. 1609046805
14	M403958	Washer	
15	M400043	Screw	
16	M400081	Washer	
17	805525	Bearing Housing Kit	Includes hardware and tool
18	800452	Nut	

Motor and Belt

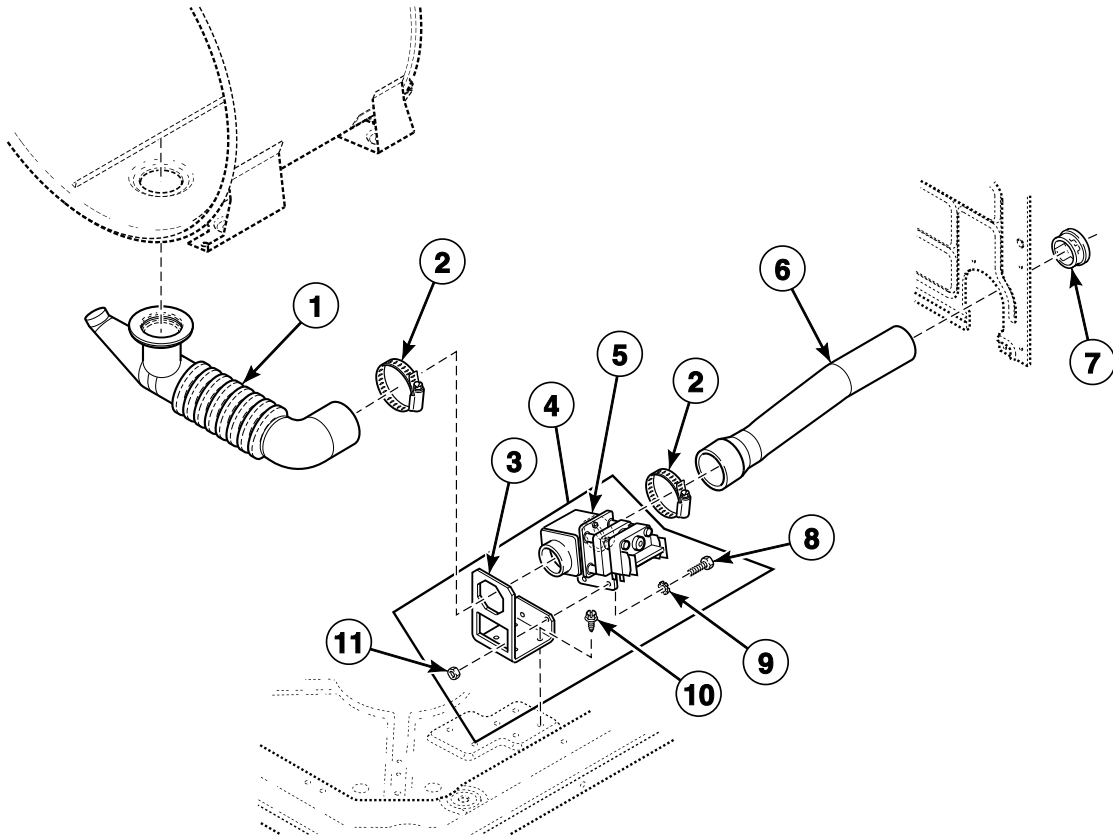


FLW1794P_806117

Ref	Part	Description	Comments
	807441	Control Bracket	Starting Serial No. 2101000001
	F8206901	Screw	Starting Serial No. 2101000001; Use with 807441 Control Bracket
1	D503661	Screw	
2	807175P	Inverter Control Assembly	Through Serial No. 2012999999
	807240	Output Control Assembly	120 Volt; Without filter; Starting Serial No. 2101000001

Ref	Part	Description	Comments
	807243	Output Control Assembly	240 Volt; With filter; Starting Serial No. 2101000001
3	806258	NOT ON YOUR MODEL	
4	806498	NOT ON YOUR MODEL	
5	804878	Motor Control Shield	Through Serial No. 2012999999
6	D501524	Screw	
7	M400057	Screw	Through Serial No. 2010999999
	02916	Screw	Starting Serial No. 2011000001
8	02834	Washer	Through Serial No. 2010999999
9	M400080	Washer	Through Serial No. 2010999999
10	804985	Drive Belt	Through Serial No. 1910999999 except Serial Nos. 1908066087 to 1909000879
	807429P	Belt	Serial Nos. 1908066087 to 1909000879 and starting Serial No. 1911000001
11	805726P	Motor and Rod Assembly Kit	Includes item 12; Through Serial No. 2012999999
	808067P	Motor and Rod Assembly Kit	Includes item 12; Starting Serial No. 2101000001
12	803861	Motor Rod	Through Serial No. 2010999999
	807739	Motor Rod	Starting Serial No. 2011000001

Drain Hoses and Valve

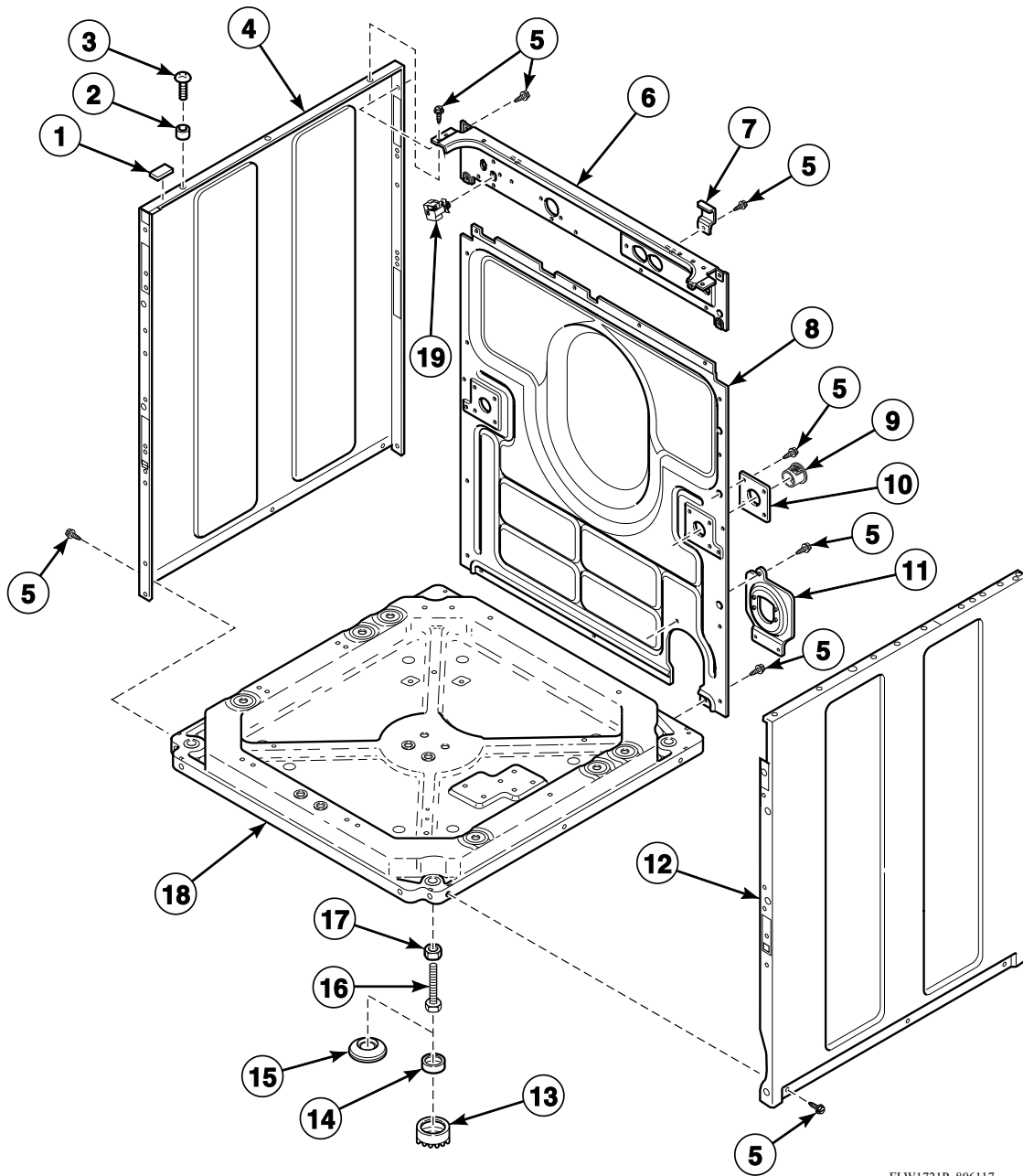


FLW1745P_806117

Ref	Part	Description	Comments
1	803874	Tub-to-Gravity Drain Hose	
	27615P	Sealant	Tub-to-drain hose to outer tub
2	685725	Hose Clamp	
3	803291	Gravity Drain Bracket	
4	F975P3	Drain Valve Kit	Includes items 3, 5 and 8-11
5	803293P	Drain Valve	

Ref	Part	Description	Comments
6	800903	Drain-to-Cabinet Hose	
7	D503235	Snap Bushing	
8	02916	Screw	
9	M400017	Washer	
10	D503661	Screw	
11	29786	Nut	

Base, Side Panels and Rear Panel

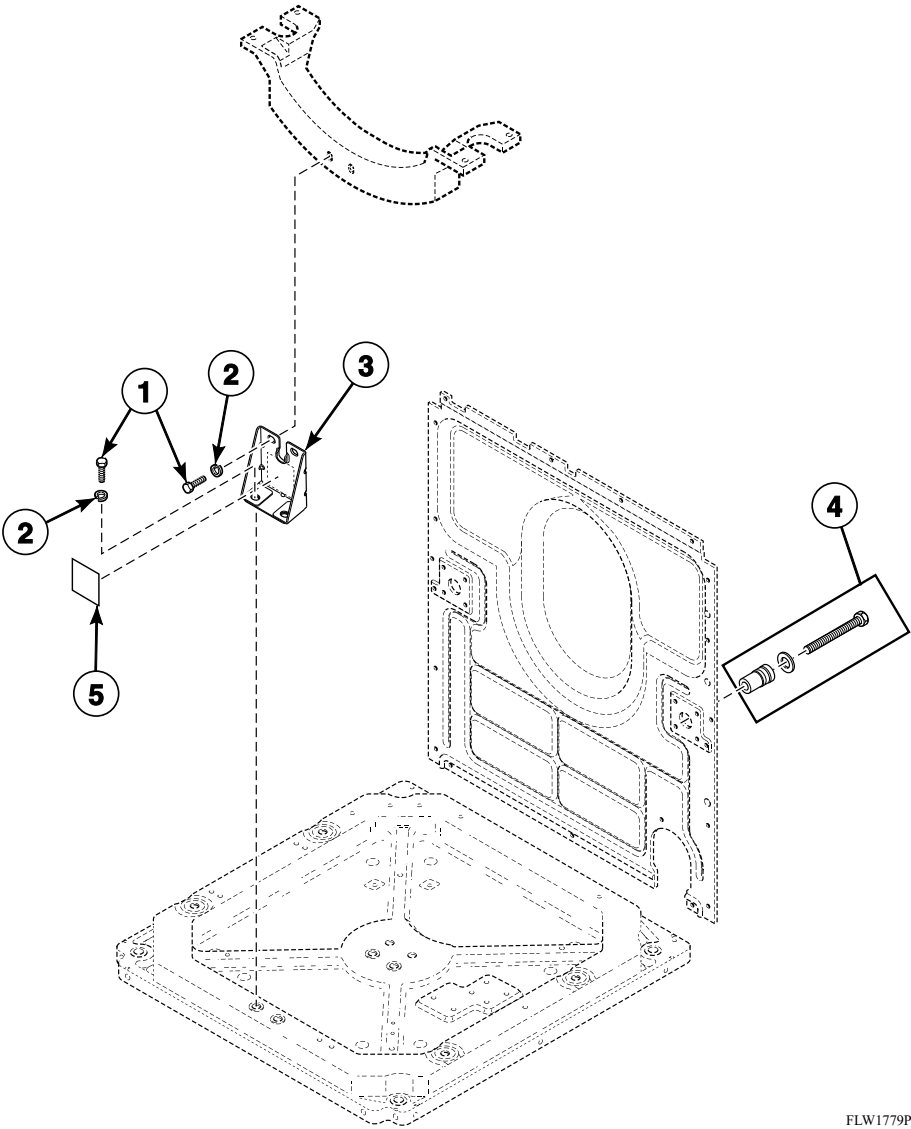


FLW1721P_806117

Ref	Part	Description	Comments
	122P4P	Porcelain Touch-Up Paint	White
	370P4P	Porcelain Touch-Up Paint	Bisque
	806436P	Paint	Gray
1	36226	Bumper Pad	
2	56079	Panel Locator	
3	39733	Screw	Use with painted panels

Ref	Part	Description	Comments
	806086	Screw	Use with stainless steel panels
4	800004WP	Cabinet Panel Kit	Left; White; Includes corner gusset with hardware
	800004QP	Cabinet Panel Kit	Left; Bisque; Includes corner gusset with hardware
	800004DG	Cabinet Side Panel	Left; Gray
	802525P	Cabinet Side Panel	Left; Stainless steel
5	D503661	Screw	
6	803790	Rear Panel	Fixed; Through Serial No. 1810000001
	806716	Rear Panel	Fixed; Starting Serial No. 1810000001
7	D510136	NOT ON YOUR MODEL	
8	803789	Rear Panel	Removable
9	803859	Shipping Plug	
10	803851	Shipping Plate	
11	803833	Gravity Drain Bracket	
	803828	Drain Hose Bracket	
12	806492	Side Panel Kit	Right; White; Includes items 2, 3, dispenser plate and coin hardware kit
	800005QP	Side Panel Kit	Right; Bisque; Includes items 2, 3, dispenser plate and coin hardware kit
	800005DG	Cabinet Side Panel	Right; Gray
	802526P	Cabinet Side Panel	Right; Stainless steel
13	D501855	Rubber Foot	Use to prevent movement on smooth surface floor coverings; Install over 2 existing front rubber feet (item 14)
14	34318	Rubber Foot	
15	155P3	Anchor	Includes 4 rubber discs with adhesive backing
	802844P	Anchor Floor Mount Assembly	Includes 2 rubber discs with adhesive backing
16	34319	Leveling Leg	
17	21899	Nut	
18	803876	Base Assembly	
19	203843	Pressure Sensor	

Shipping Materials

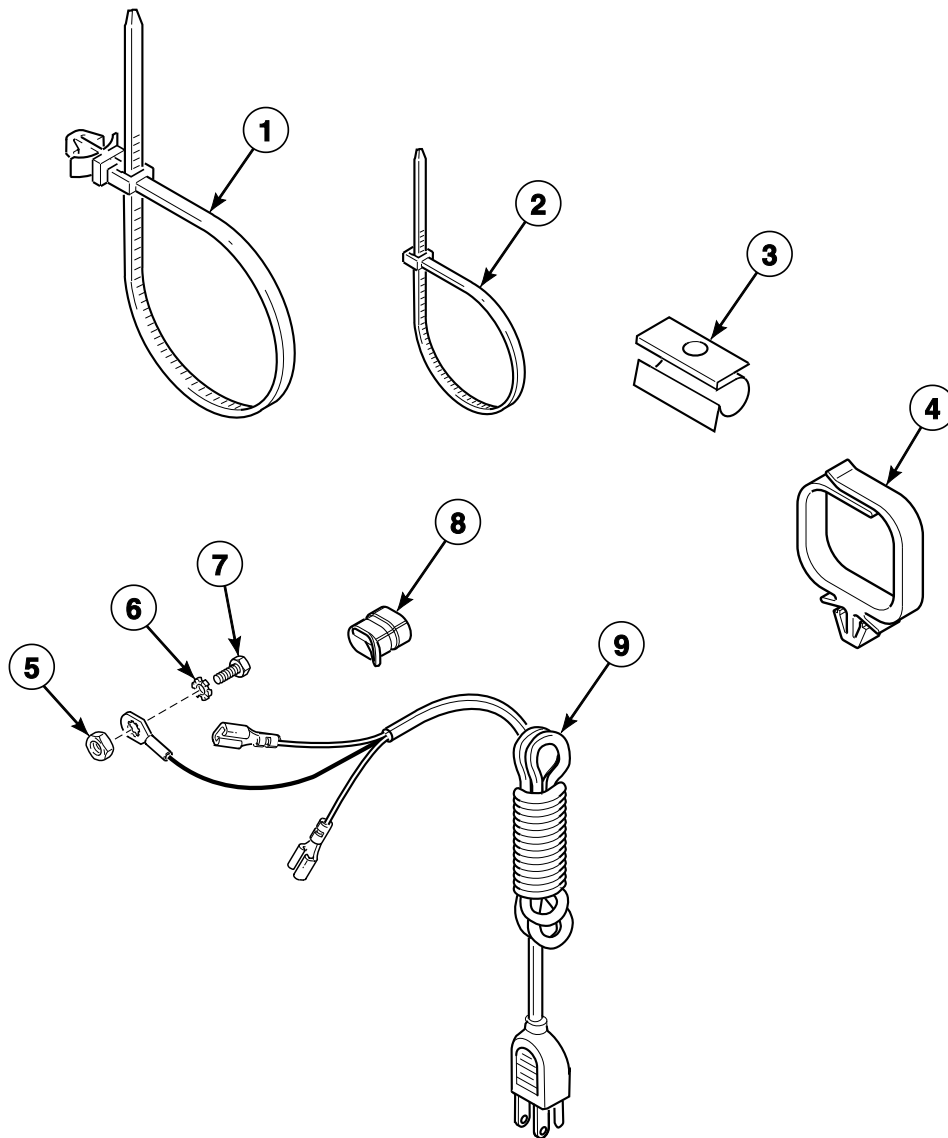


FLW1779P_806117

Ref	Part	Description	Comments
	807550	Label	Remove shipping brace; Long tongue label
1	M400043	Screw	4 required
2	M400014	Washer	4 required
3	807448	Shipping Brace	
4	807452	Shipping Bolt Assembly	

Ref	Part	Description	Comments
5	807552	Shipping Bracket Label	Square label

Wire Ties, Harness Clips and Lead-In Cord

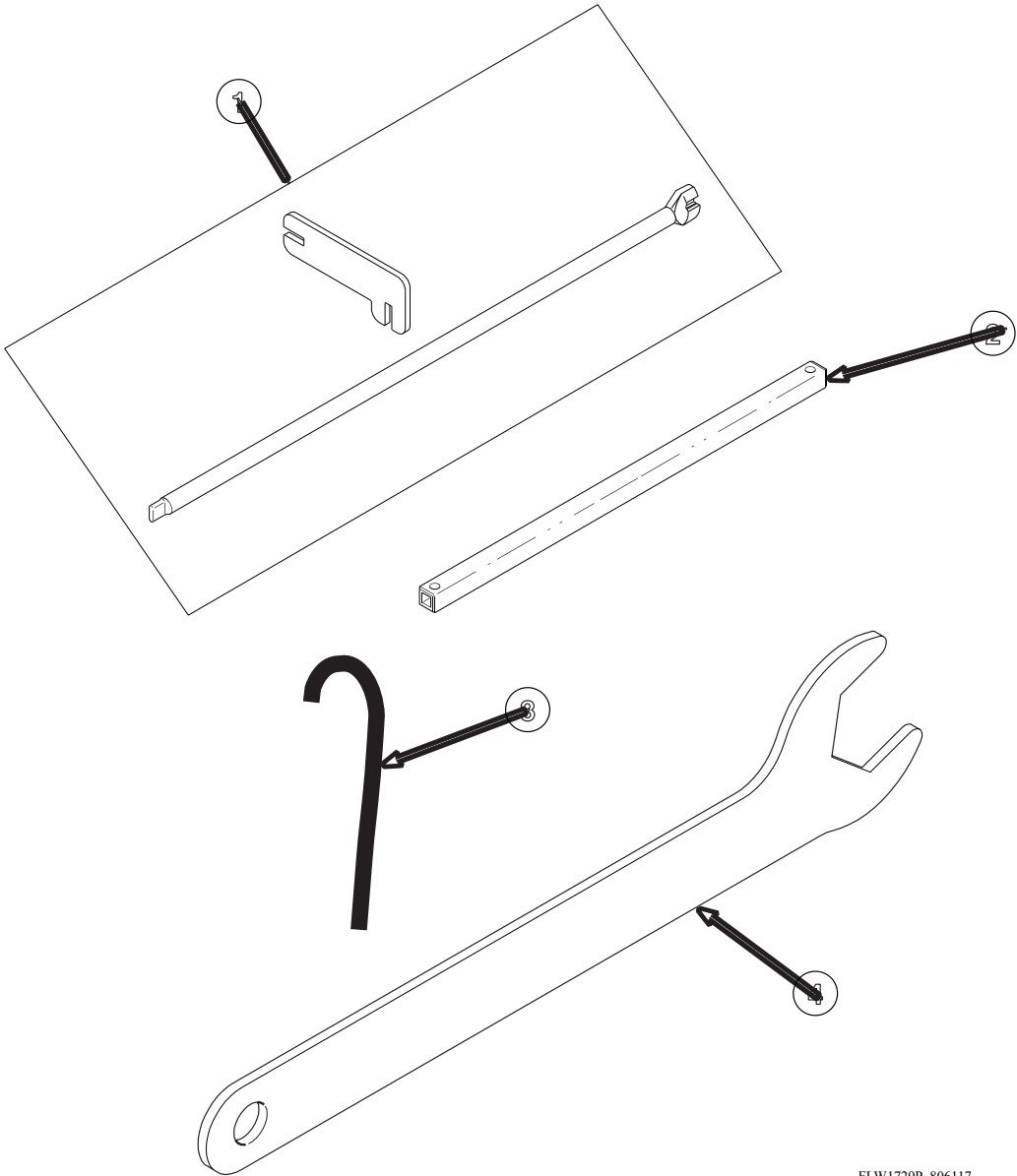


FLW1775P_806117

Ref	Part	Description	Comments
1	M405829	Cable Tie	6.13 inches
2	55881	Harness Strap	
3	36985	Hose Clip	
4	F8449502	Wire Clip	
5	03673	Nut	
6	03815	Washer	

Ref	Part	Description	Comments
7	20530	Screw	
8	38384	Strain Relief	
9	202777	Lead-In Cord	

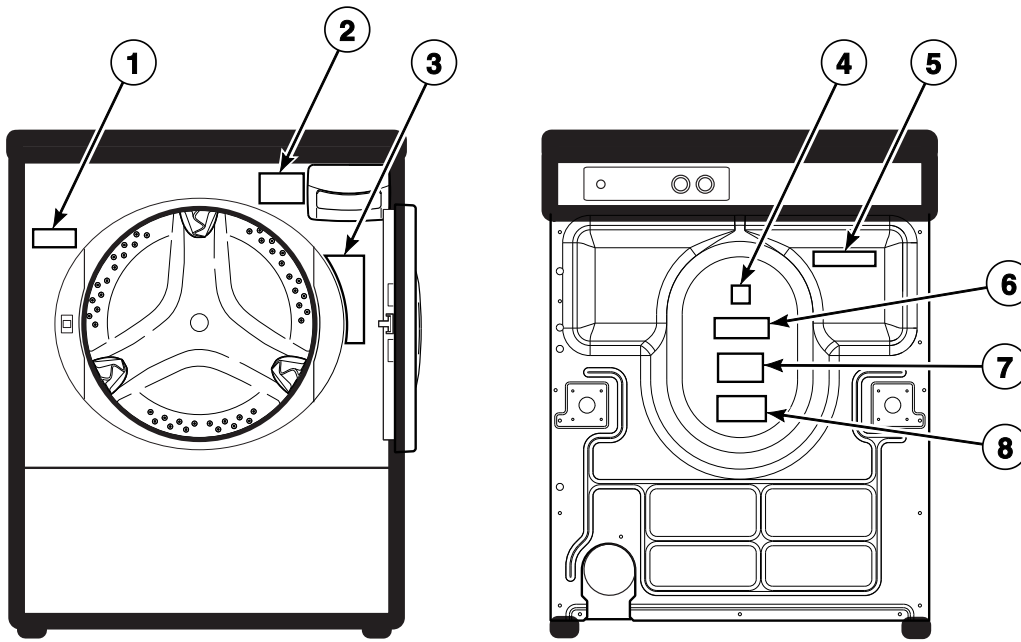
Special Tools



FLW1729P_806117

Ref	Part	Description	Comments
1	CK096	Mounting Tool Kit	Use to install and remove electronic coin drop kits
2	310P4	Ratchet Extension Tool	1/4 inch; Use to install and remove non-electronic coin drops
3	802336	Pulley Bolt Tightening Fixture	Use to install inner basket
4	392P4	Wrench	Use for adjusting leveling leg nuts

Labels

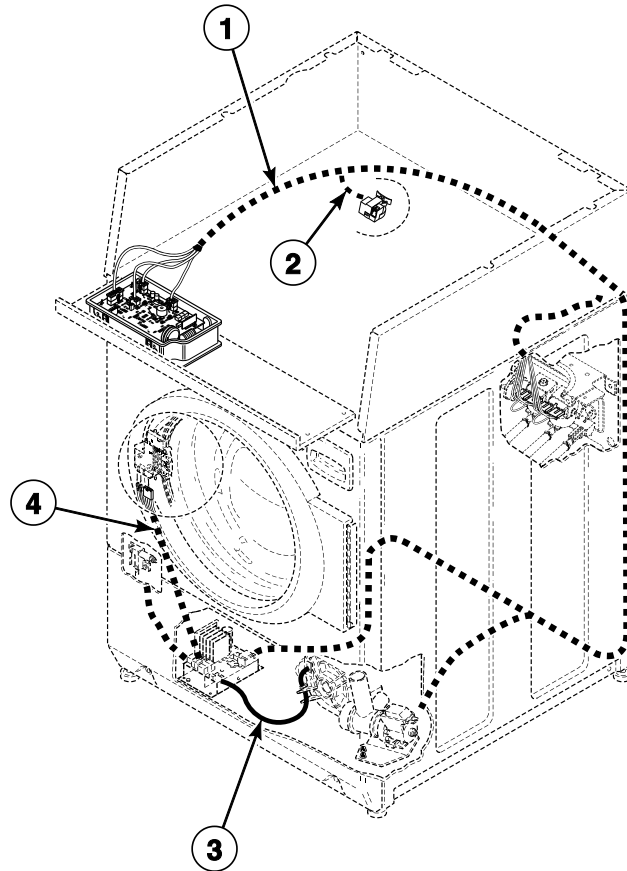


FLW1722P_806117

Ref	Part	Description	Comments
1	803011	Notice Label	
2	802074	Oversudsing Label	English
	802838	Oversudsing Label	Spanish
3	802367	Warning Label	Reduce fire risk
4	D513371	Read Instructions Label	
5	D505281	Disconnect Power Warning Label	English

Ref	Part	Description	Comments
	D500316	Warning Label	English/French
	801706	Caution Label	Icon; Ground machine
6	685928	Left Hand Thread Label	Text
	804949	Left Hand Thread Label	Icon
7	803260	Warning Label	Disconnect Power
	F8211201	Electrical Shock Label	Icon
8	D500049	Warning Label	English
	D500314	Warning Label	English/French
	F8615701	Pinch Warning Label	Icon; Crush hazard

Wire Harnesses and Wires



FLW1780P_806117

Ref	Part	Description	Comments
	45001	18 Gauge Wire	Black; Order wire by foot and terminals and connectors as required
	807298	Power Harness	Starting Serial No. 210100001
1	806030	NOT ON YOUR MODEL	
	807375	NOT ON YOUR MODEL	
	806961	NOT ON YOUR MODEL	

Ref	Part	Description	Comments
	806031	Front Control Harness	through Serial No. 2012999999
	807346	Front Control Harness	starting Serial No. 2101000001
2	804432	NOT ON YOUR MODEL	
	804833	NOT ON YOUR MODEL	
	807656	NOT ON YOUR MODEL	
	804433	Pressure Sensor Harness	
3	806029	Motor Harness	Through Serial No. 2012999999
	807294	Motor Harness	Starting Serial No. 2101000001
4	806028	Door Lock Harness Assembly	Through Serial No. 2012999999
	807293	Door Lock Harness Assembly	Starting Serial No. 2101000001

NOTE: Individual wires are not available separately. Order complete harness, or order wire by the foot. When applying terminals to wires, it is recommended that the terminals be soldered to the wires.