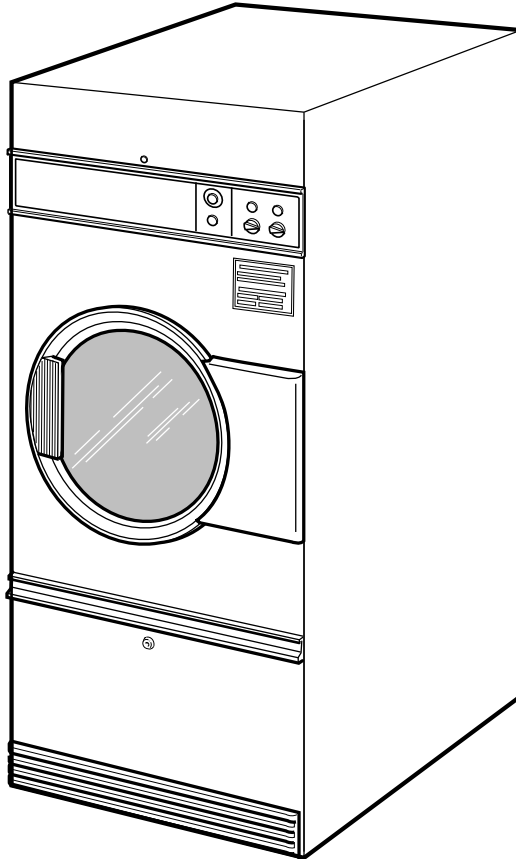


Drying Tumblers

30 Pound Capacity (31.5 Inches Wide)

Refer to Page 5 for Model Numbers



T025C_M414056

Table of Contents

Title	Page
Parts Ordering Information.....	3
Serial Plate Location	3
Model Identification	5
Control Panel Assembly - Non-CE Manual Timer Models	6
Control Panel Assembly - CE Manual Timer Models	8
Control Panel Assembly - Non-CE Coin Drop Models	10
Control Panel Assembly - CE Coin Drop Models.....	12
Control Panel Assembly - Coin Slide Models.....	14
OPL 24 Volt Micro Control	16
Single Coin Meter	18
Dual Coin Meter	20
Coin Vault and Vault Guide Assembly	22
Meter Case	24
Accumulator	26
Control Thermostat, Door Switch, Transformer, Relay and Diode Logic Board.....	28
Door Switch - CE Models	30
Loading Door Assembly	32
Top and Front Panels	34
Lint Panel and Compartment	36
Cylinder and Trunnion Assemblies	38
Chain Drive Components	40
Belt Drive Components	42
Idler Housing Assembly	44
Fan and Motor Assembly	46
Fan Motors	48
Airflow Switch and Vane Assembly.....	50
Cabinet High Limit Thermostat (EG), Chain Guard, Damper Vane and Junction Box.....	52
Burner Assembly for Standing Pilot Ignition.....	54
Gas Valve Components for Standing Pilot Ignition	56
Burner Assembly for Automatic Pilot Ignition	58
Vertical and Horizontal Ignition Systems	60
Gas Valve Components for Automatic Pilot Ignition	62
Burner Assembly for Glow-Bar Ignition - Johnson Control.....	64
Gas Valve Components for Glow-Bar Ignition - Johnson Control.....	66
Burner Assembly for Glow-Bar Ignition - White Rodgers Control	68
Gas Valve Components for Glow-Bar Ignition - White Rodgers Control.....	70
Burner Assembly for Instant Electronic Ignition	72
Gas Valve Assembly for Dungs/B-M System.....	74
Channel/Johnson Gas System	76
Burner Assembly for Australian Models.....	78
Electric Heater Assembly	80

© Copyright 2014, Alliance Laundry Systems LLC

All rights reserved. No part of the contents of this book may be reproduced or transmitted in any form or by any means without the expressed written consent of the publisher.

Electrical Contactor Box Assembly - Models Through Serial No. 9408xxxxx	82
Electrical Contactor Box Assembly - Models Starting Serial No. 9408xxxxx	84
Solenoid Steam Valve (Asco)	86
Steam Heater and Valve Assembly (Danfoss).....	88
Warning Labels - Rear of Tumbler	90
Warning Labels - Front of Tumbler	92
Contactor Box Assembly for Electric Manual Timer and Coin Drop Models (Drawing 1 of 3)	94
Contactor Box Assembly for Electric Manual Timer and Coin Drop Models (Drawing 2 of 3)	96
Contactor Box Assembly for Electric Manual Timer and Coin Drop Models (Drawing 3 of 3)	98
Contactor Box Assembly for Gas Manual Timer Models	100
Contactor Box Assembly for Gas Coin Drop Models	102
Contactor Box Assembly for Steam Manual Timer Models (Drawing 1 of 2).....	104
Contactor Box Assembly for Steam Manual Timer Models (Drawing 2 of 2).....	106
Contactor Box Assembly for Steam Coin Drop Models	108
Burner Orifice	110
Wire Harnesses and Wires	111
Parts Index	113

Parts Ordering Information

If literature or replacement parts are required, contact the source from whom the machine was purchased or contact Alliance Laundry Systems at (920) 748-3950 for the name and address of the nearest authorized parts distributor.

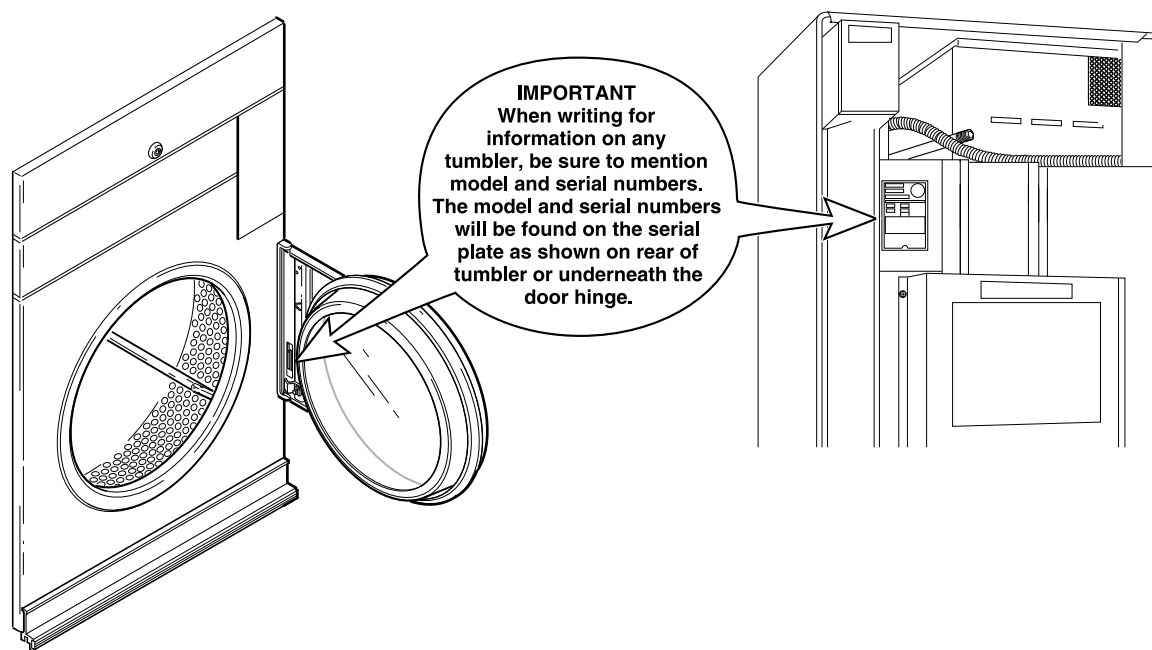
For technical assistance, call either of the numbers listed below:

(920) 748-3121 Ripon, Wisconsin

+32 56 41 20 54 Wevelgem, Belgium

Serial Plate Location

When calling or writing about your product, be sure to mention model and serial numbers. Model and serial numbers are located on serial plate(s) as shown.



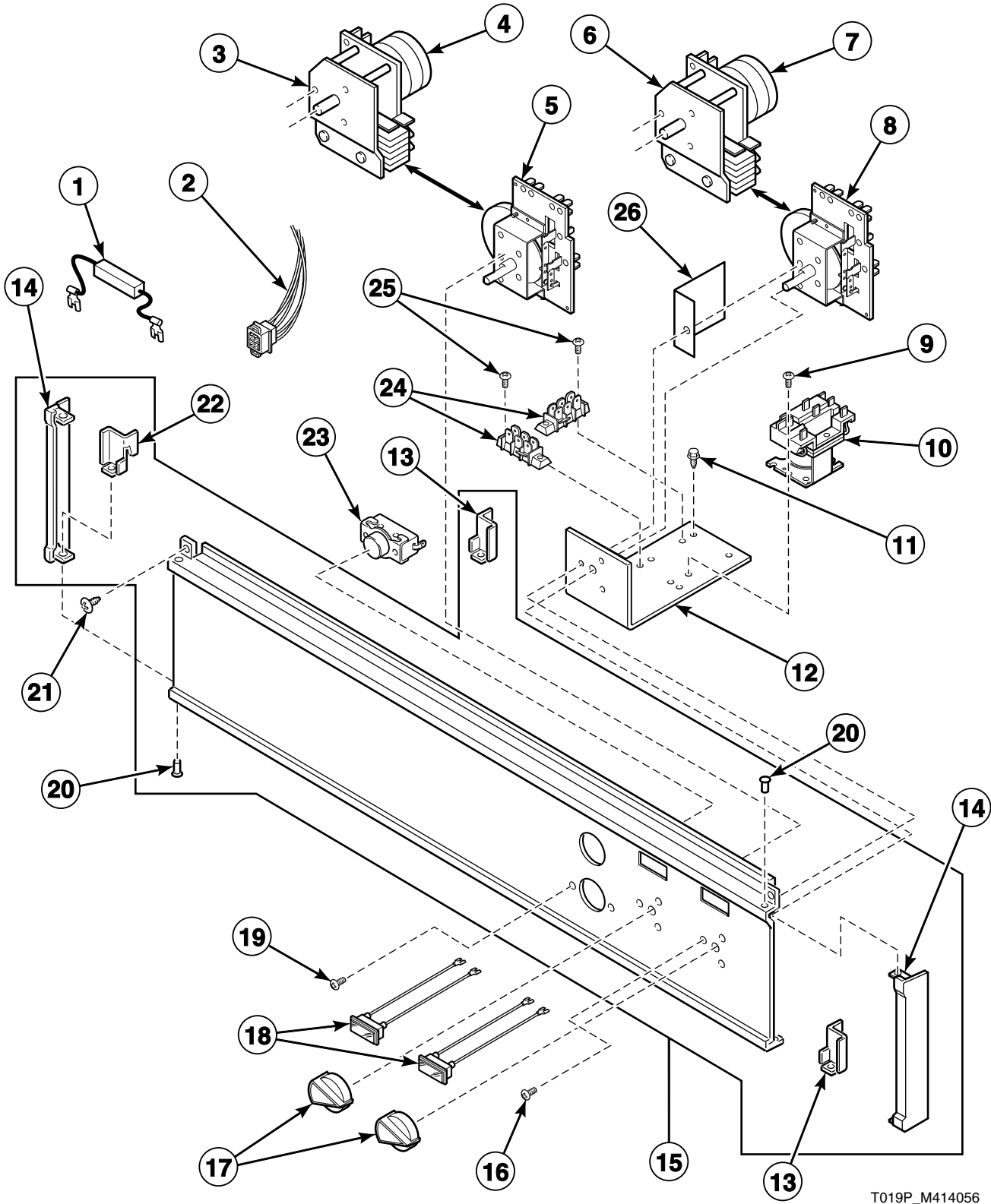
T294IE3C_M414056

Model Identification

Information in this manual is applicable to these tumbler models:

DCB30CE	DT30EGI	JT30CE	JTB30CSL	ST30CSL
DCB30CG	DTB30CE	JT30CG	JTB30EG	ST30EG
DCB30CSH	DTB30CG	JT30CGI	SCB30CE	ST30EGI
DCB30CSL	DTB30CSH	JT30CSH	SCB30CG	STB30CE
DT30CE	DTB30CSL	JT30CSL	SCB30CSH	STB30CG
DT30CG	DTB30EG	JT30EG	SCB30CSL	STB30CSH
DT30CGI	JCB30CE	JT30EGI	ST30CE	STB30CSL
DT30CSH	JCB30CG	JTB30CE	ST30CG	STB30EG
DT30CSL	JCB30CSH	JTB30CG	ST30CGI	
DT30EG	JCB30CSL	JTB30CSH	ST30CSH	

Control Panel Assembly - Non-CE Manual Timer Models



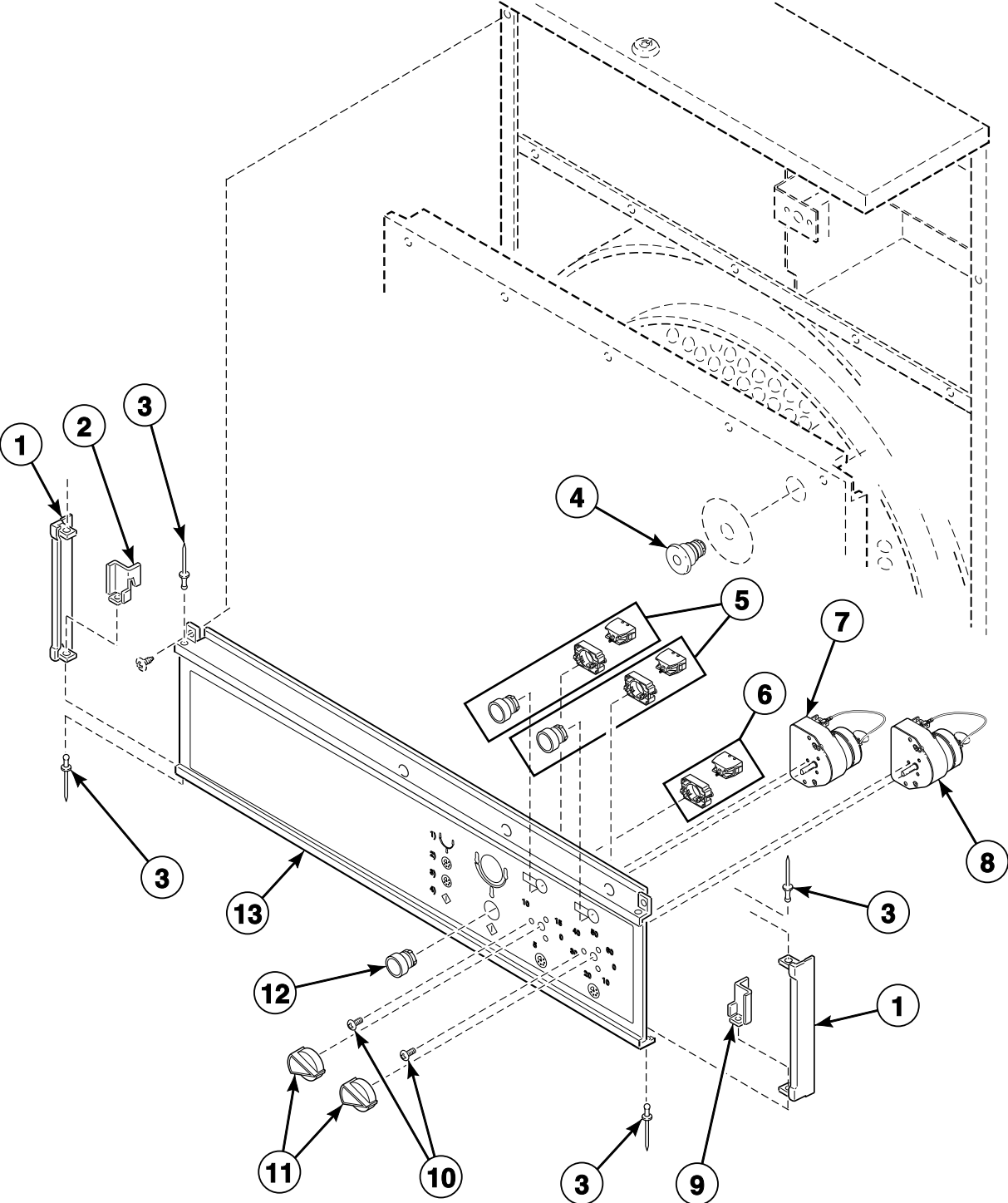
T019P_M414056

Control Panel Assembly - Non-CE Manual Timer Models

REF	PART NO.	DESCRIPTION	COMMENTS
1	M400527	Resistor Assembly	2 required; 208-240 Volt; Electric models
	M410992	Resistor Assembly	208-240 Volt machines with Mallory timer
2	N/A	Wire Harness Assembly	480 Volt; Electric models
	M403924P	Control Panel Wire Harness Assembly	All other models
3	M400785P	Timer	Cool-down; Greenwald
4	M400793	Timer Motor	Greenwald
5	M410900P	Timer Kit	Cool-down; Mallory; Replaces Robert Shaw timer
6	M400787P	Timer	Drying; Greenwald; 30 minute
	M400791P	Timer	Drying; Greenwald; 60 minute
7	M400794P	Motor	Greenwald; 30 minute; Replacement
	M400609	Timer Motor	Greenwald; 60 minute
8	M410901P	Timer Kit	Drying; Mallory; 60 minute; Replaces Robert Shaw timer
9	51780	Screw	
10	M400912P	Relay	Gas models
	M400911P	Relay	Electric models
11	M402917	Screw	Ground
12	N/A	Electrical Components Tray	
13	M401302	Control Panel Retainer	Right
14	N/A	End Cap	
15	N/A	Control Panel Assembly	DT models
	N/A	Control Panel Assembly	JT Energy Saver models
	M402236	Control Panel Assembly	JT standard models
	N/A	Control Panel Assembly	All other JT models
	N/A	Control Panel Assembly	ST gas models; 120 Volt
	N/A	Control Panel Assembly	ST gas and electric models; 208-240 Volt
	N/A	Control Panel Assembly	ST electric models; 480 Volt
	N/A	Control Panel Assembly	All other ST models
16	M411052	Screw	
17	M410927	Knob	JT models starting Serial No. 9205015887
	M400773	Knob	All other models
18	N/A	Light	Gas models
	N/A	Pilot Light	Electric models
19	M400072	Screw	
20	M405750	Pop Rivet	
21	33562	Screw	
22	M401301	Control Panel Retainer	Left
23	44106901P	Push-to-Start Switch Kit	
24	N/A	Terminal Block	
25	M400071	Screw	
26	N/A	Fishpaper	

N/A = Part no longer available

Control Panel Assembly - CE Manual Timer Models



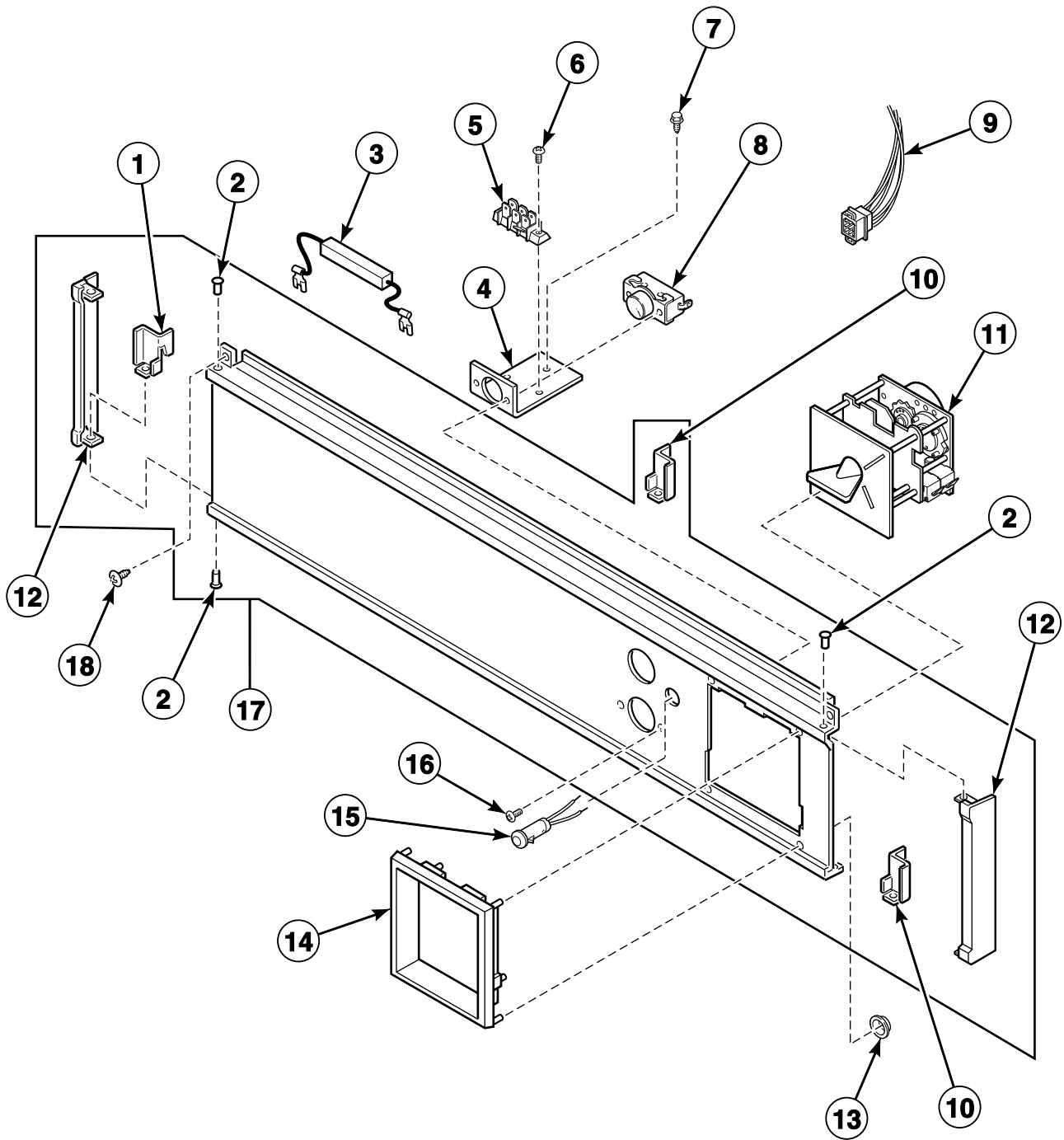
T416PZ3B_M414056

Control Panel Assembly - CE Manual Timer Models

REF	PART NO.	DESCRIPTION	COMMENTS
1	N/A	End Cap	
2	M401301	Control Panel Retainer	
3	M405750	Pop Rivet	
4	N/A	Emergency Stop Switch	
5	N/A	Indicator Light	
6	M412230	Contact Block	
7	N/A	Timer	Drying; 60 minute; 24 Volt
8	M412079P	Timer	Cooling; 15 minute; 24 Volt
9	M401302	Control Panel Retainer	Right and center
10	M411052	Screw	
11	M400773	Knob	DC and SC models
	M410927	Knob	JC models
12	N/A	Pushbutton	
13	N/A	Control Panel Assembly	SC models
	N/A	Control Panel Assembly	JC models
	N/A	Control Panel Assembly	DC models

N/A = Part no longer available

Control Panel Assembly - Non-CE Coin Drop Models



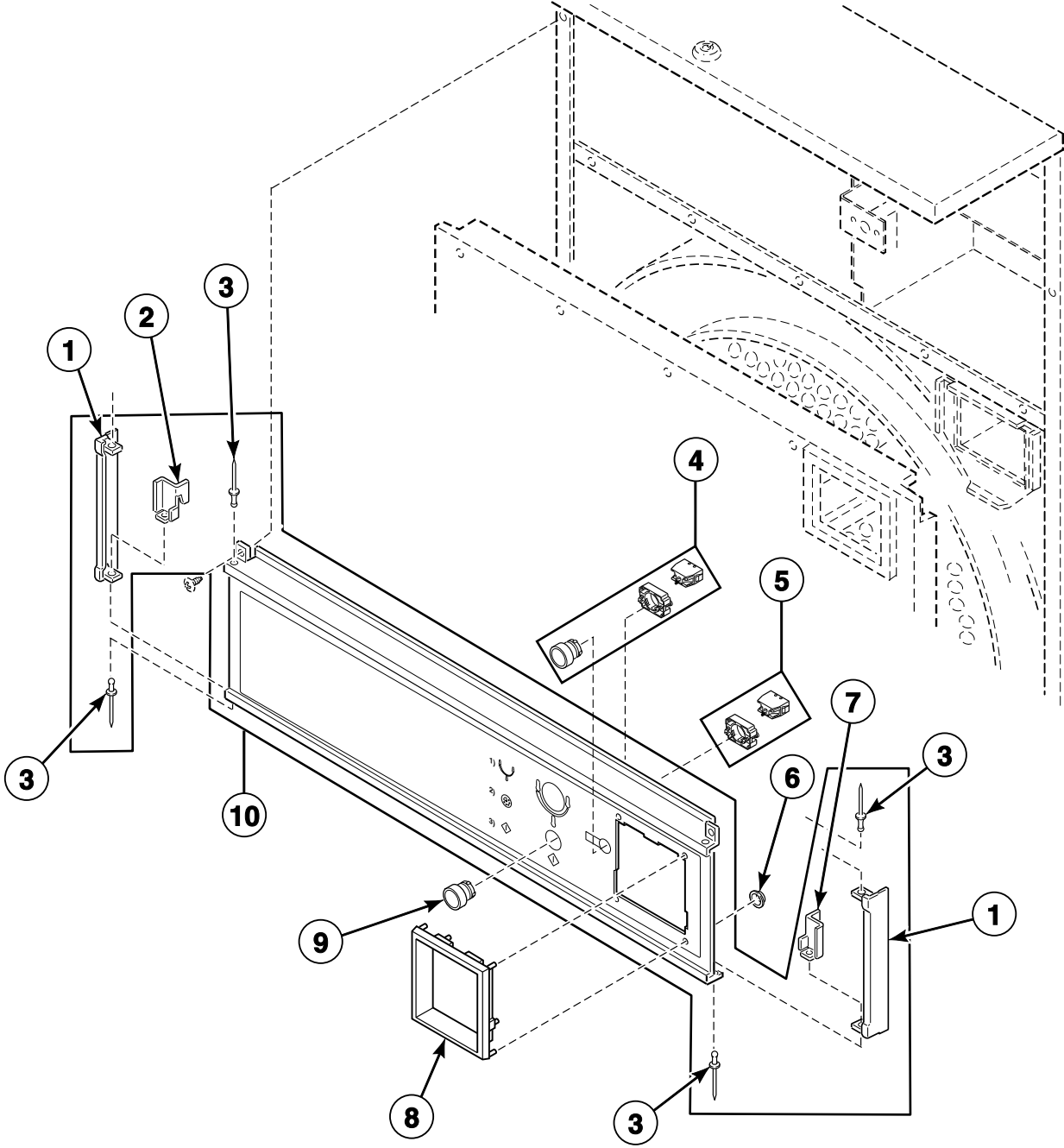
T020P_M414056

Control Panel Assembly - Non-CE Coin Drop Models

REF	PART NO.	DESCRIPTION	COMMENTS
1	M401301	Control Panel Retainer	Left
2	M405750	Pop Rivet	
3	M400527	Resistor Assembly	2 required; 208-240 Volt; Electric models
4	N/A	Bracket	
5	N/A	Terminal Block	
6	M400071	Screw	
7	M402917	Screw	Ground
8	44106901P	Push-to-Start Switch Kit	
9	M403924P	Control Panel Wire Harness Assembly	
10	M401302	Control Panel Retainer	Right and center
11	M402508-12	Coin Meter	South Africa; .20
	M402508-14	Coin Meter	Japan; 100 yen
	N/A	Coin Meter	Australia; .20
	N/A	Coin Meter	France; 2 new francs
	M402508-34	Coin Meter	Denmark; 1 krone
	M402508-36	Coin Meter	Token; STD-118-1
	N/A	Coin Meter	Canada; .25; Order M405138P Coin Meter
	M402508-45	Coin Meter	Spain; 25 peseta
	N/A	Coin Meter	Token; STD-118-1
	M405138P	Coin Meter	USA and Canada; \$0.25/10 minutes
12	N/A	End Cap	
13	M400672	Nut	
14	N/A	Shadow Box	
15	M404151	Run Light	
16	M400072	Screw	
17	N/A	Control Panel Assembly	JT Energy Saver models; 120 Volt
	M402670	Control Panel Assembly	JT Energy Saver models; All other voltages
	N/A	Control Panel Assembly	JT models starting Serial No. 9205015887
	N/A	Control Panel Assembly	All other JT models
	N/A	Control Panel Assembly	ST gas models
	N/A	Control Panel Assembly	All other ST models; Black
	N/A	Control Panel Assembly	All other ST models; Silver
18	33562	Screw	

N/A = Part no longer available

Control Panel Assembly - CE Coin Drop Models



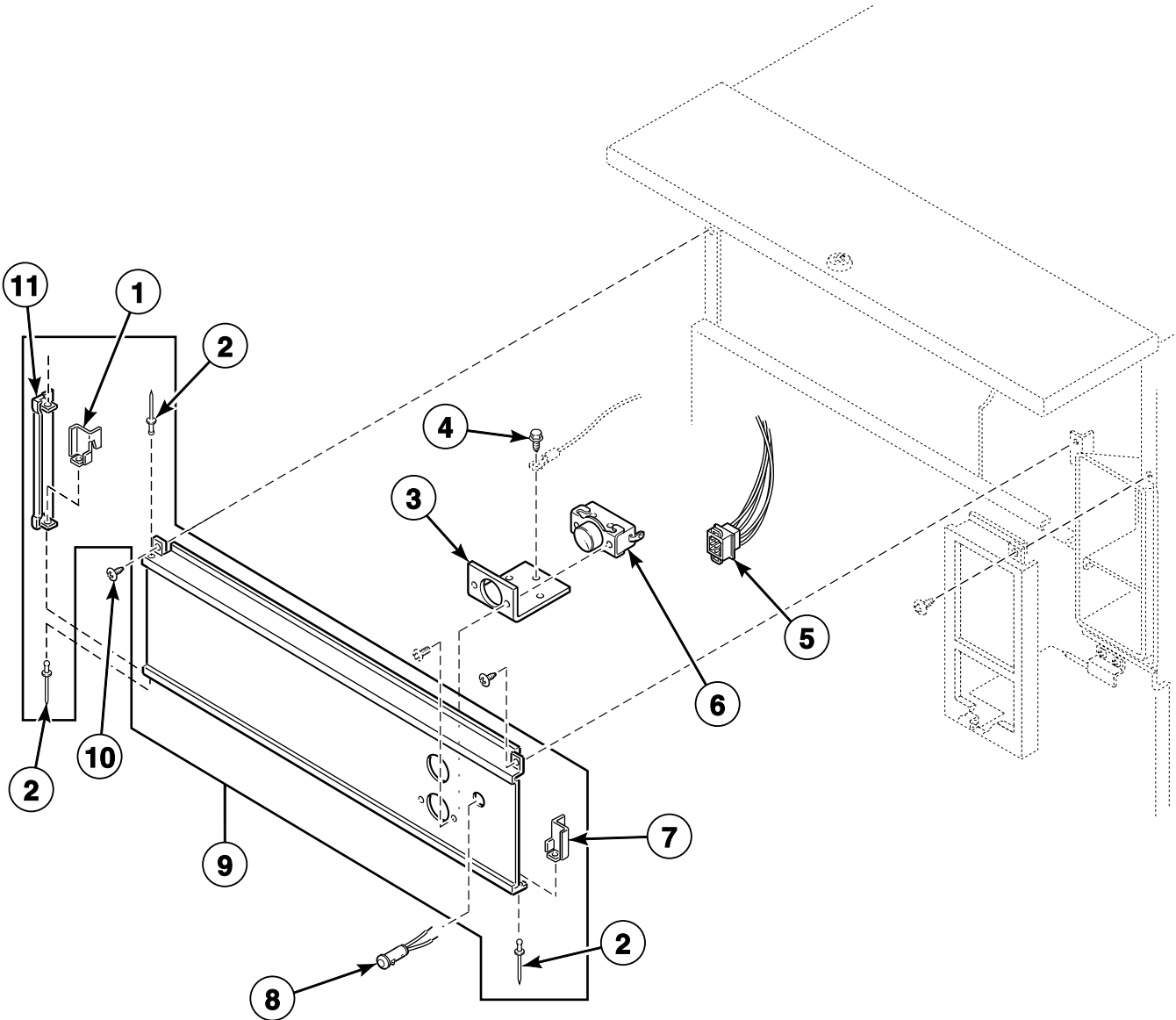
T417PZ3B_M414056

Control Panel Assembly - CE Coin Drop Models

REF	PART NO.	DESCRIPTION	COMMENTS
1	N/A	End Cap	
2	M401301	Control Panel Retainer	Left
3	M405750	Pop Rivet	
4	N/A	Indicator Light	
5	M412230	Contact Block	
6	M400672	Nut	
7	M401302	Control Panel Retainer	Right and center
8	N/A	Shadow Box	
9	N/A	Pushbutton	
10	N/A	Control Panel Assembly	SC models
	N/A	Control Panel Assembly	JC models

N/A = Part no longer available

Control Panel Assembly - Coin Slide Models



T021P_M414056

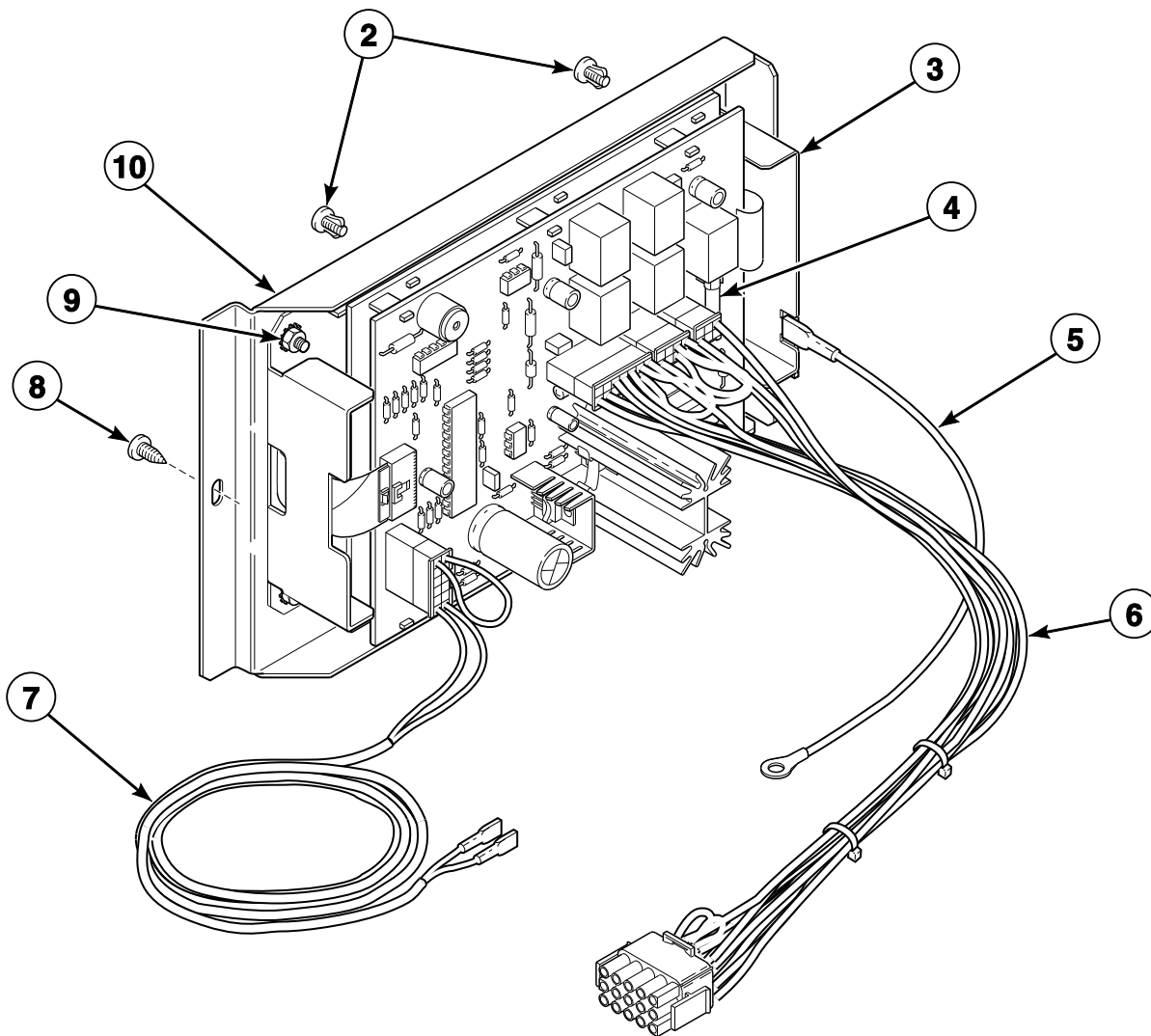
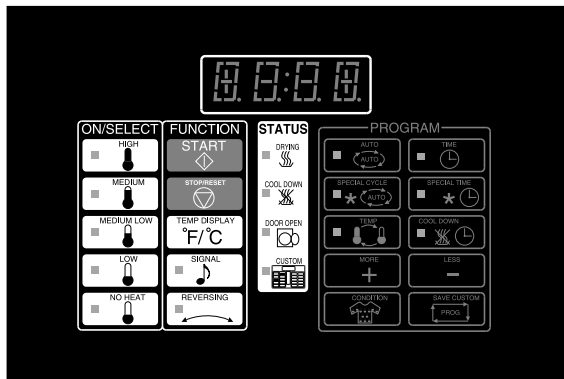
Control Panel Assembly - Coin Slide Models

REF	PART NO.	DESCRIPTION	COMMENTS
1	M401301	Control Panel Retainer	Left
2	M405750	Pop Rivet	
3	N/A	Bracket	
4	M402917	Screw	Ground
5	N/A	Wire Harness Assembly	
6	44106901P	Push-to-Start Switch Kit	
7	M401302	Control Panel Retainer	Right
8	M404151	Run Light	
9	N/A	Control Panel Assembly	S models
	N/A	Control Panel Assembly	J models
10	33562	Screw	
11	N/A	End Cap	

N/A = Part no longer available

OPL 24 Volt Micro Control

OM Models



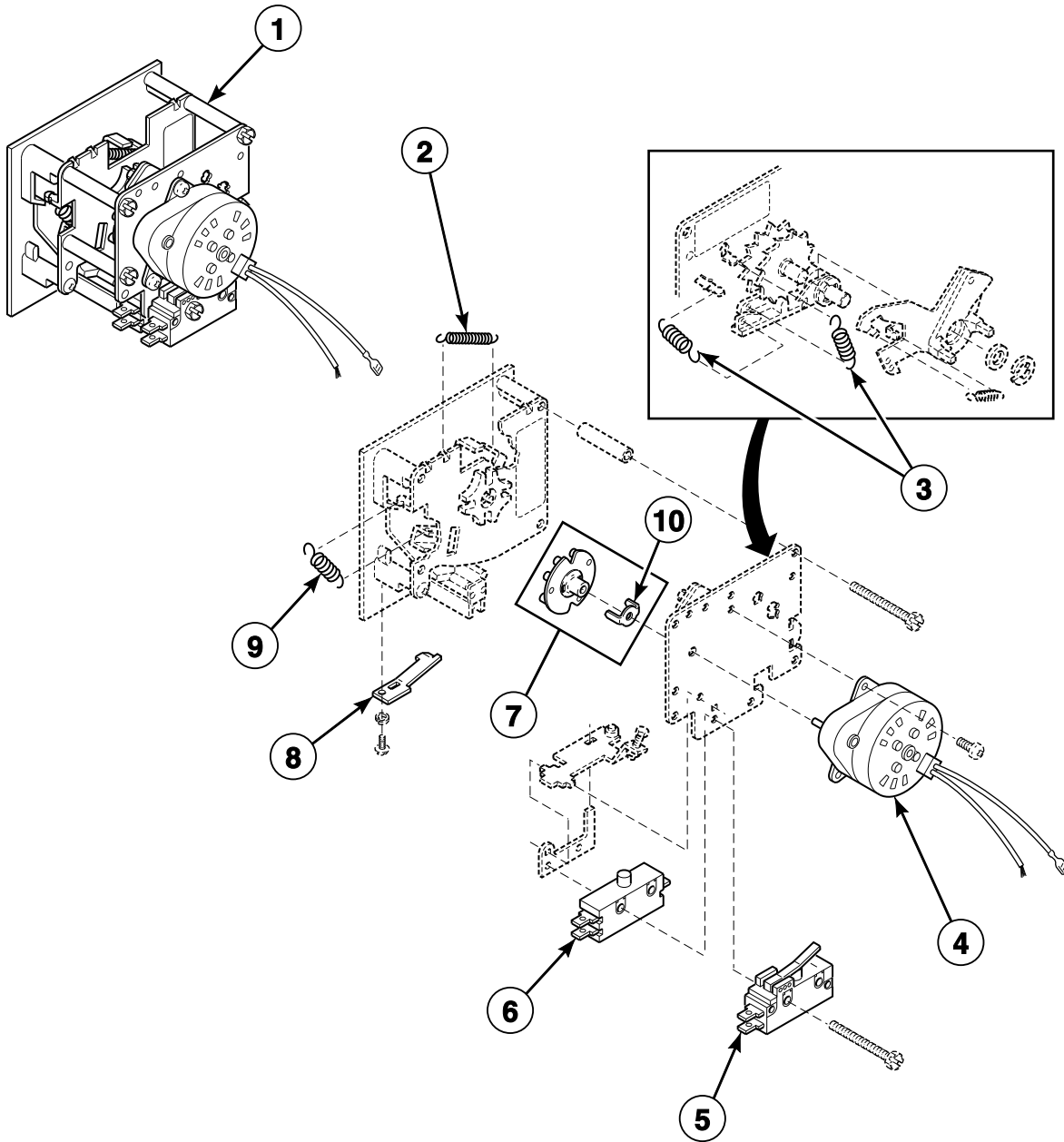
T382PZ3D_M414056

OPL 24 Volt Micro Control

REF	PART NO.	DESCRIPTION	COMMENTS
1	M413417	Microprocessor Overlay	STB nonreversing models
	N/A	Microprocessor Overlay	STB reversing models
	N/A	Microprocessor Overlay	DCB and SCB nonreversing models
	N/A	Microprocessor Overlay	DCB and SCB reversing models
	N/A	Microprocessor Overlay	JT and JTB nonreversing models
	N/A	Microprocessor Overlay	JTB reversing models
	M413423	Microprocessor Overlay	JCB nonreversing models
	N/A	Microprocessor Overlay	JCB reversing models
	M413425	Microprocessor Overlay	DTB nonreversing models
	M413426	Microprocessor Overlay	DTB reversing models
2	N/A	Hole Plug	
3	70228401P	Control Kit	24 Volt
4	M414104	Fuse	2 Amp; Located on back of control
5	M412645	Jumper Wire Assembly	
6	M413677	Micro Harness Assembly	
7	M413559P	Sensor Cable Harness	Nonreversing
	N/A	Sensor Cable Harness Assembly	Reversing
8	430497	Screw	
9	70054	Nut	
10	M413738	Micro Mounting Assembly	

N/A = Part no longer available

Single Coin Meter



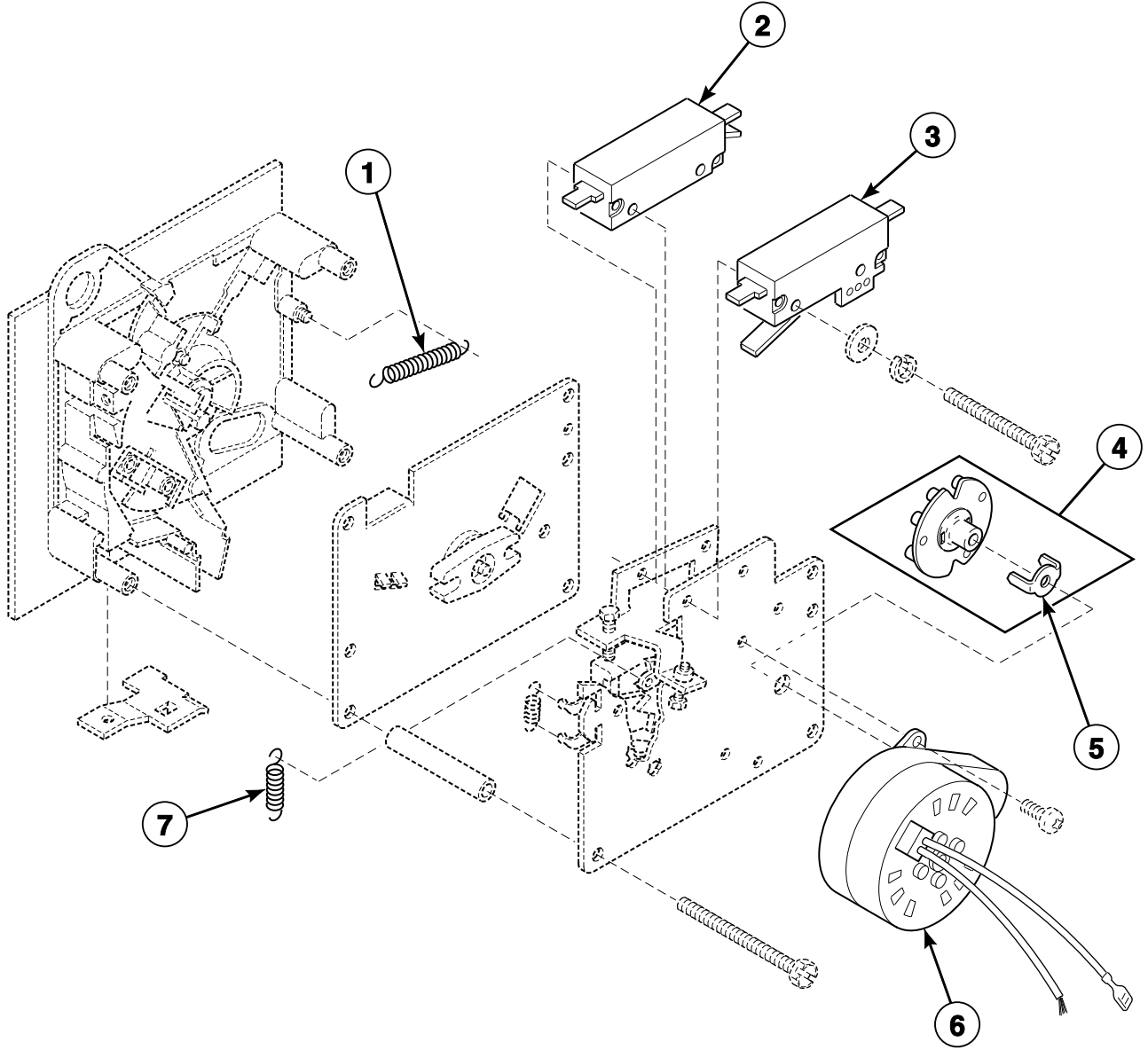
T022P_M414056

Single Coin Meter

REF	PART NO.	DESCRIPTION	COMMENTS
1	M402508-12	Coin Meter	South Africa; .20
	M402508-14	Coin Meter	Japan; 100 yen
	N/A	Coin Meter	Australia; .20
	N/A	Coin Meter	France; 2 new francs
	M402508-34	Coin Meter	Denmark; 1 krone
	M402508-36	Coin Meter	Token; STD-118-1
	N/A	Coin Meter	\$.25
	M402508-45	Coin Meter	Spain; 25 peseta
	N/A	Coin Meter	Token; STD-118-1
	M405138P	Coin Meter	USA; \$.25
2	M405138B	Return Spring	
3	M402455	Coil Spring	
4	M400609	Timer Motor	
5	M400947	Switch	Heat; Switch "B"
6	N/A	Single Throw Switch	Run; Switch "A"
7	M400734P	Timing Cam	2 pin; 30 minute
	M400735P	Timing Cam	3 pin; 20 minute
	M400736P	Timing Cam	4 pin; 15 minute
	M400737P	Timing Cam	5 pin; 12 minute
	M400738P	Timing Cam	6 pin; 10 minute
	M400739P	Timing Cam	7 pin; 8.5 minute
	M400740P	Timing Cam	8 pin; 7.5 minute
	M400741P	Timing Cam	9 pin; 6.6 minute
	M400732P	Timing Cam	10 pin; 6 minute
	M400733P	Timing Cam	12 pin; 5 minute
8	M406297	Coin Retainer Spring	Screw not included
9	M405138A	Coin Carrier Spring	
10	M400754	Coin Meter Drive	

N/A = Part no longer available

Dual Coin Meter



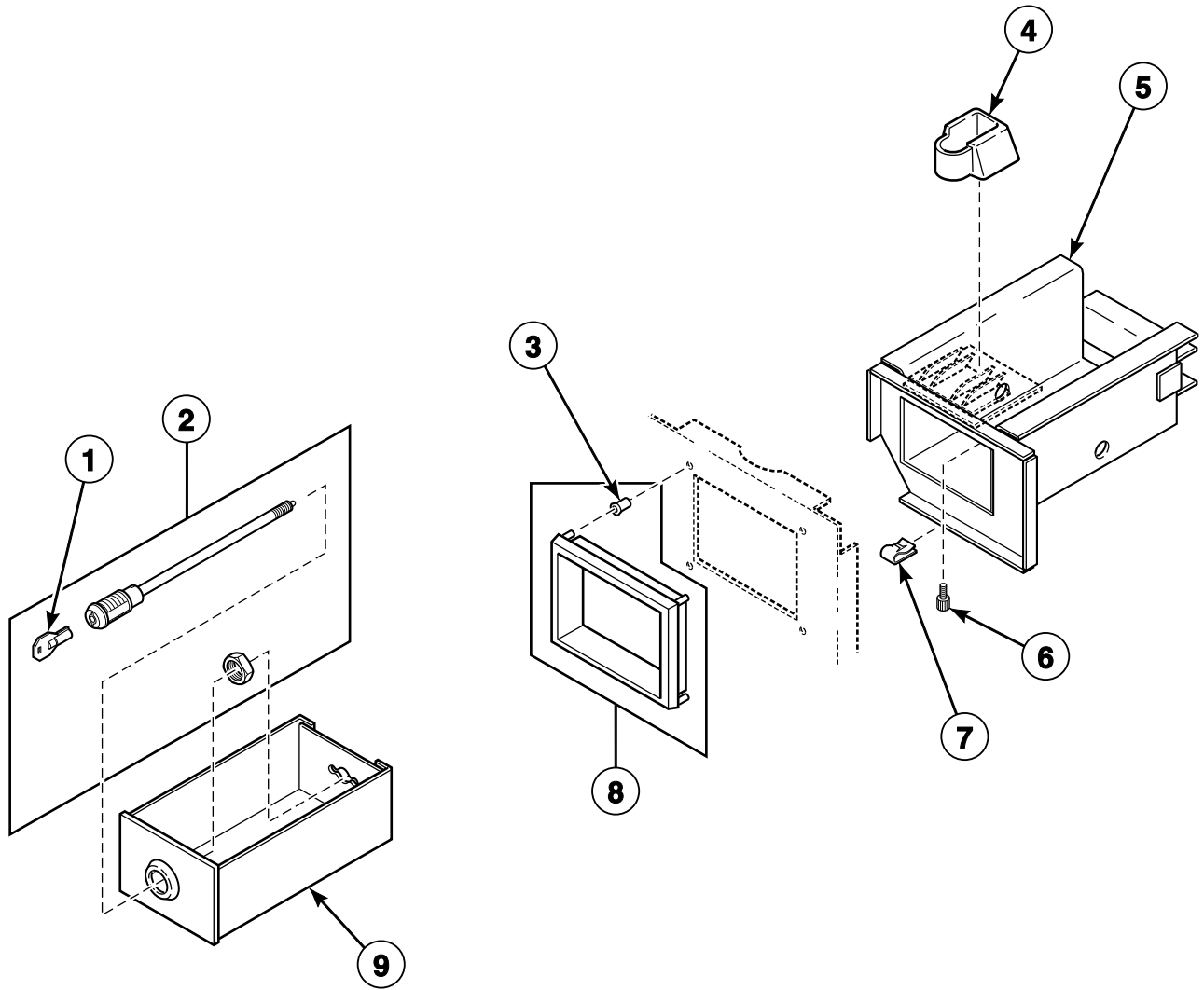
T023PZ3B_M414056

Dual Coin Meter

REF	PART NO.	DESCRIPTION	COMMENTS
1	M400746	Return Spring	
2	N/A	Single Throw Switch	Run
3	M400947	Switch	Heat
4	M400734P	Timing Cam	2 pin; 30 minute
	M400735P	Timing Cam	3 pin; 20 minute
	M400736P	Timing Cam	4 pin; 15 minute
	M400737P	Timing Cam	5 pin; 12 minute
	M400738P	Timing Cam	6 pin; 10 minute
	M400739P	Timing Cam	7 pin; 8.5 minute
	M400740P	Timing Cam	8 pin; 7.5 minute
	M400741P	Timing Cam	9 pin; 6.6 minute
	M400732P	Timing Cam	10 pin; 6 minute
	M400733P	Timing Cam	12 pin; 5 minute
5	M400754	Coin Meter Drive	
6	M400609	Timer Motor	
7	N/A	Index Lever Spring	

N/A = Part no longer available

Coin Vault and Vault Guide Assembly



T024P_M414056

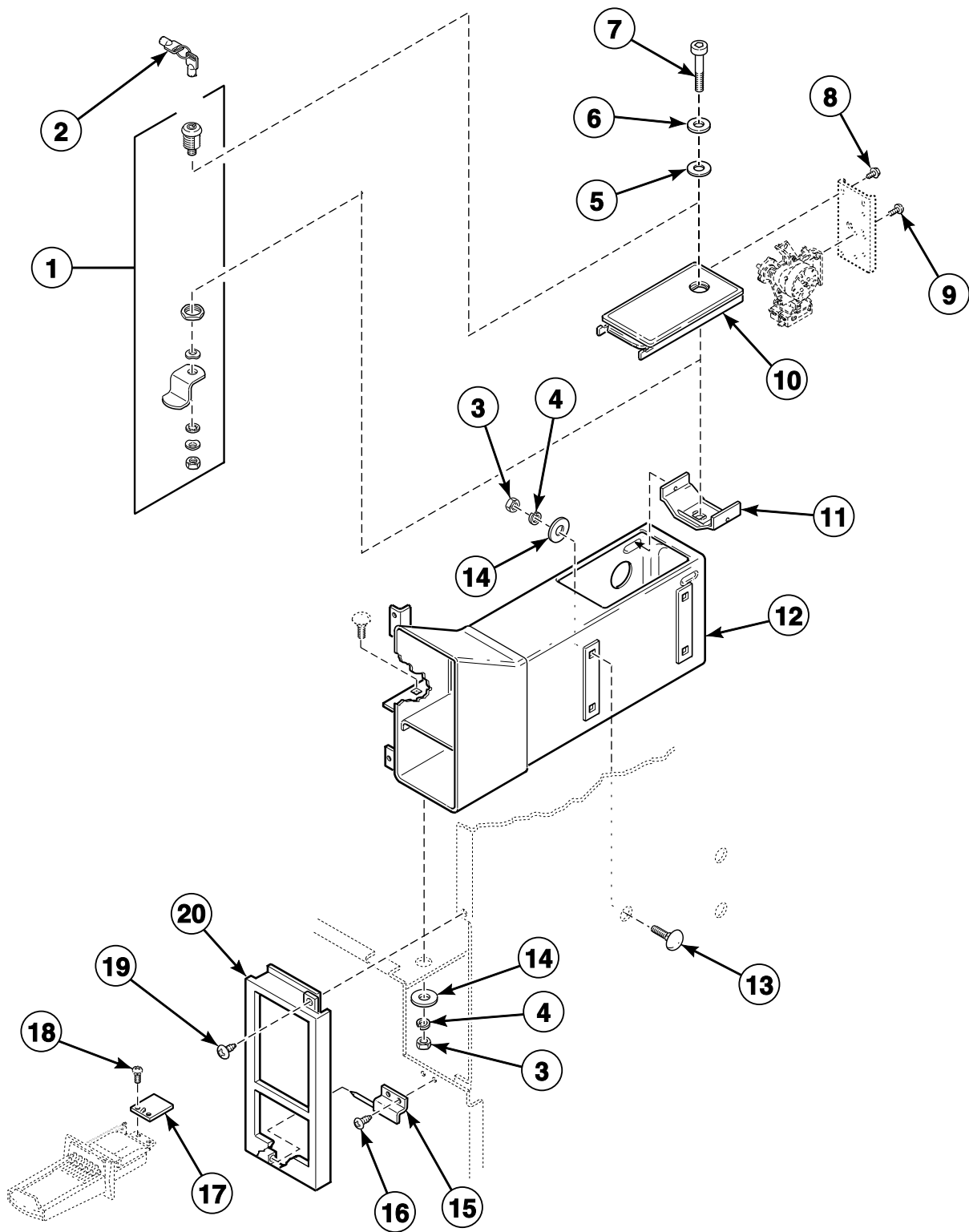
Coin Vault and Vault Guide Assembly

REF	PART NO.	DESCRIPTION	COMMENTS
1	N/A	Key	Order by key code from price list (M401701-M401790)
2	N/A	Vault Lock and Key Assembly	Order by key code from price list (M401581-M401640)
3	M400972	Shadow Box Clip	
4	N/A	Coin Chute	
5	N/A	Coin Vault Guide Assembly	Short; Models through Serial No. 9401xxxx
	44102801	Coin Vault Assembly	Long; Models starting Serial No. 9402xxxx; Uses M411994 Screw
6	N/A	Screw	
7	M400974	Clip	
8	M400131P	Shadow Box and Clip	
9	N/A	Coin Drawer Assembly	

N/A = Part no longer available

Meter Case

Coin Slide Models



T025P_M414056

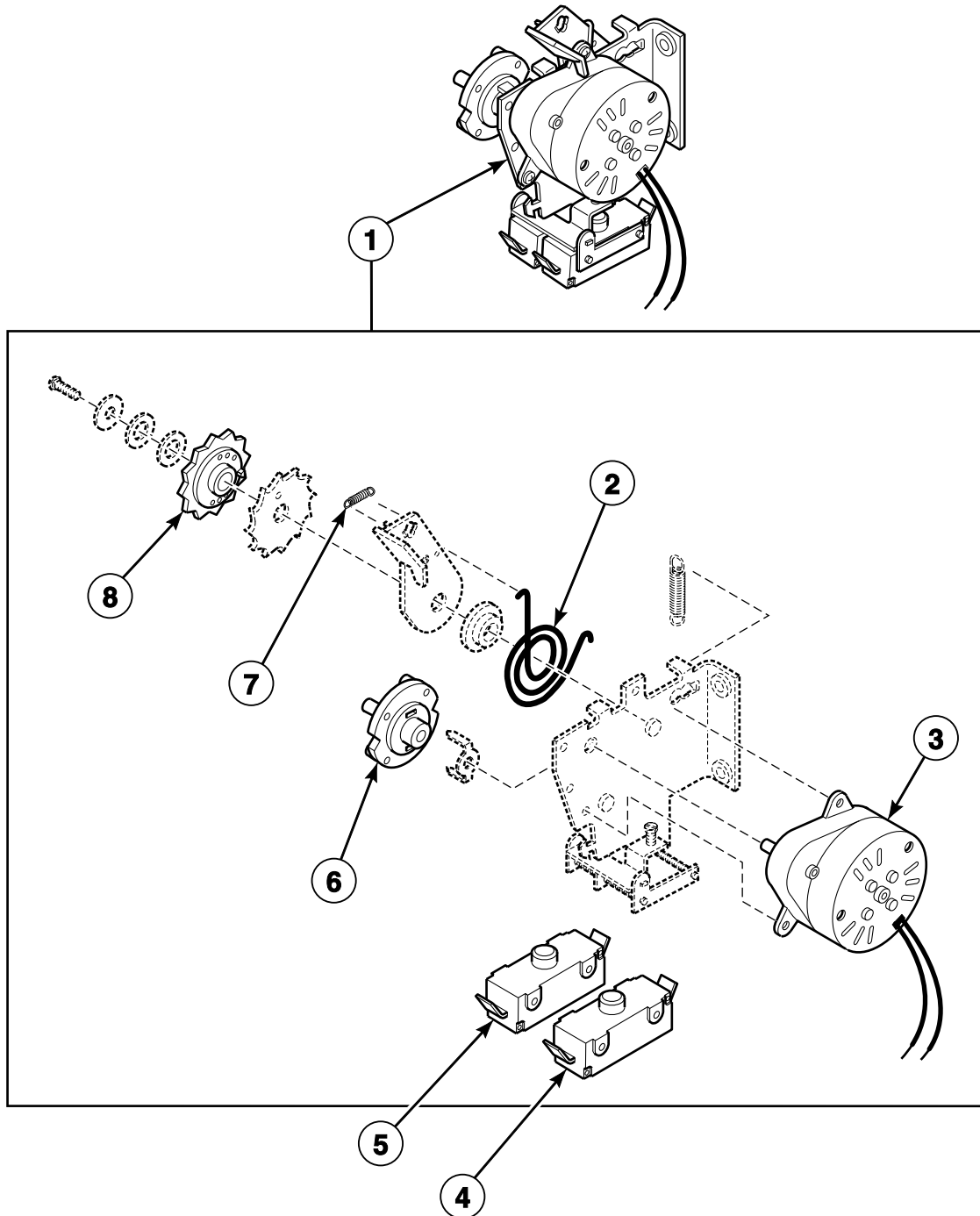
Meter Case

REF	PART NO.	DESCRIPTION	COMMENTS
1	27260P	Lock Kit	Not supplied with meter case
2	54612	Key	Not supplied with meter case
3	20274	Nut	
4	M400014	Washer	
5	35774	Washer	
6	35917	Washer	
7	503673	Screw	
8	52909	Screw	
9	03203	Screw	
10	35798LP	Service Door Assembly	Almond
	35798WP	Service Door Assembly	White
11	N/A	Meter Case Locking Bracket	
12	N/A	Meter Case Assembly	
13	N/A	Bolt	
14	20279	Washer	
15	M405931	Hinge Assembly	
16	51780	Screw	
17	61031	Coin Slide Extension	
18	N/A	Screw	
19	33562	Screw	
20	N/A	Coin Slide	Escutcheon

N/A = Part no longer available

Accumulator

Coin Slide Models



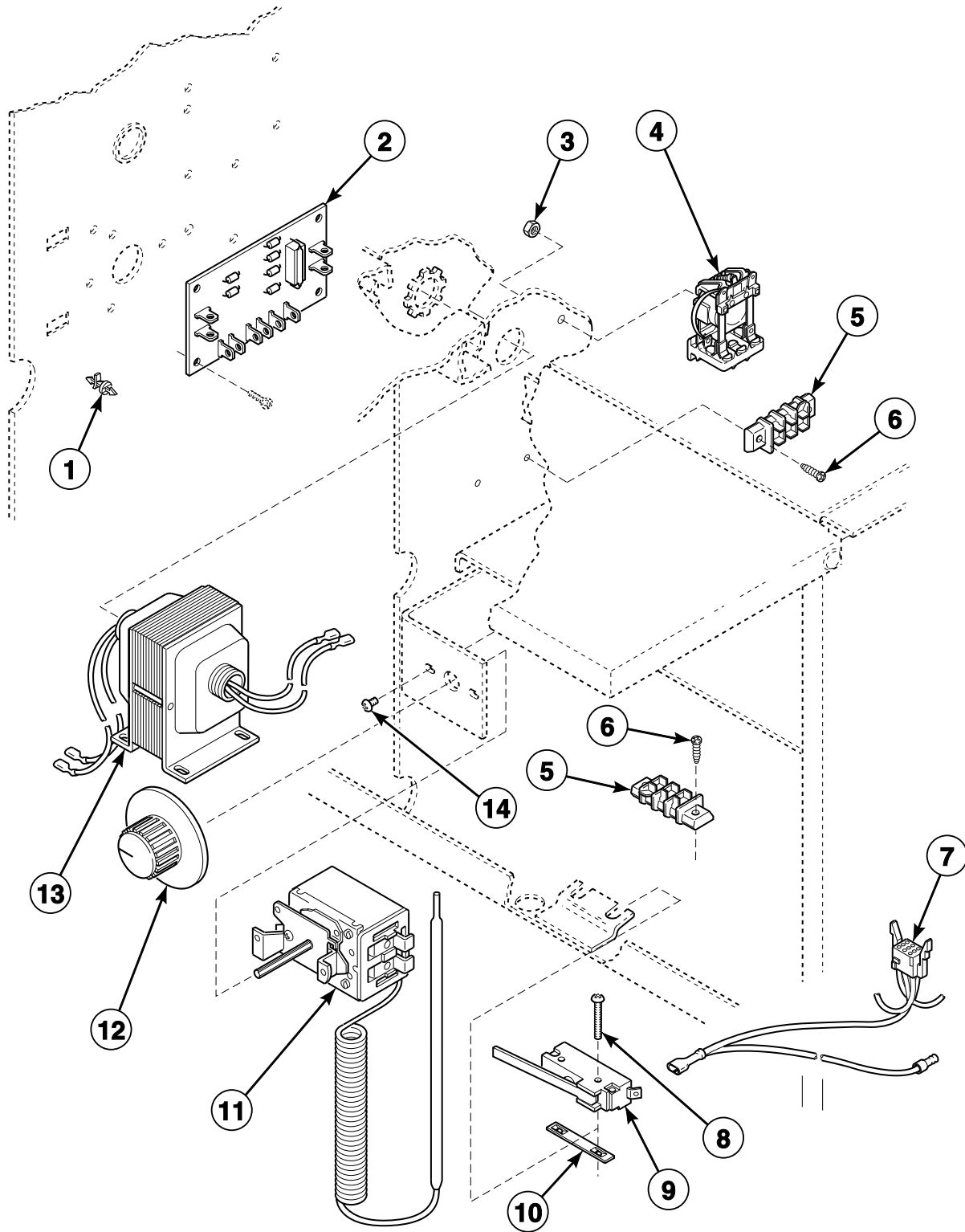
T299PZ3A_M414056

Accumulator

REF	PART NO.	DESCRIPTION	COMMENTS
1	M403422P	Accumulator	Dual switch
2	53261	Spring	
3	M400609	Timer Motor	1 hour; 1/60
4	M400947	Switch	B switch; Heat
5	N/A	Single Throw Switch	A switch; Run
6	53240	Timing Cam	3 pin
	53241	Timing Cam	4 pin
	M400239	Timing Cam	5 pin
	53242	Timing Cam	6 pin
	53243	Timing Cam	9 pin
7	N/A	Pawl Spring	
8	53239	Ratchet Wheel	

N/A = Part no longer available

Control Thermostat, Door Switch, Transformer, Relay and Diode Logic Board



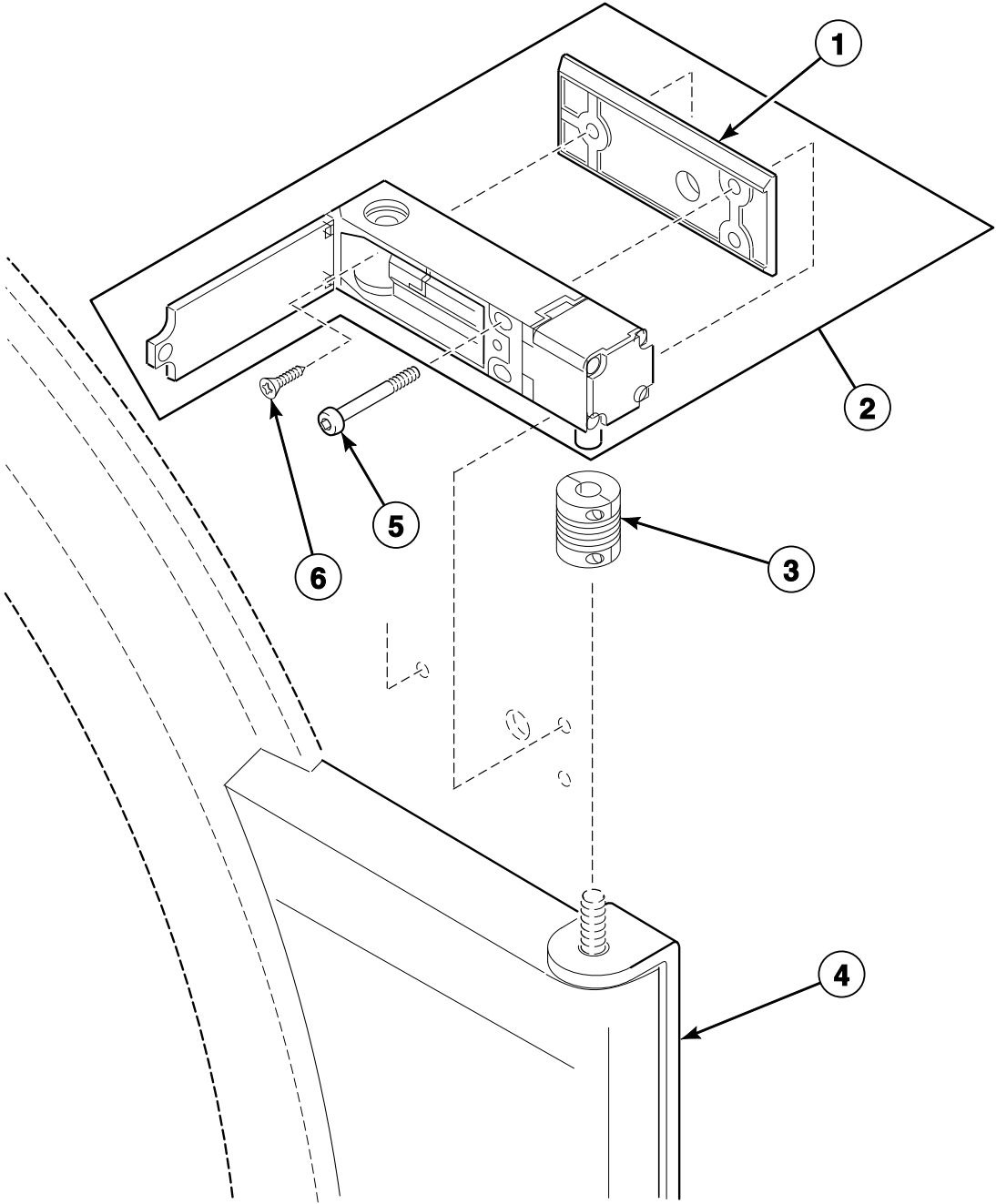
T027P_M414056

Control Thermostat, Door Switch, Transformer, Relay and Diode Logic Board

REF	PART NO.	DESCRIPTION	COMMENTS
1	M405979	Circuit Board Support	Gas models; Models with White Rodgers glow bar ignition
2	M405897P	Diode Logic Board	Gas models; Models with White Rodgers glow bar ignition
3	02788	Nut	Gas models; Models with White Rodgers glow bar ignition
4	N/A	Relay	Gas models; Models with White Rodgers glow bar ignition
5	N/A	Terminal Block	Gas models; Models with White Rodgers glow bar ignition
6	M400072	Screw	Gas models; Models with White Rodgers glow bar ignition
7	N/A	Wire Harness Assembly	208-240 Volt manual timer electric models; Steam models
	N/A	Wire Harness Assembly	480 Volt electric models; 208-240 Volt coin drop electric models
	M405871P	Control Harness	Gas models; Models not equipped with junction box
8	Q6516	Screw	
9	M400952	Door Switch	DT, JT and ST models
10	M400981	Nut	
11	M401251P	Thermostat	
12	N/A	Temperature Control Knob	J models starting Serial No. 9205015887
	M400777	Knob	All other models
13	M401199P	Transformer Kit	120 Volt; Gas models; Models equipped with automatic pilot ignition
	M402650P	Transformer	208-240 Volt; Gas models; Models equipped with automatic pilot ignition
14	M400071	Screw	

N/A = Part no longer available

Door Switch - CE Models



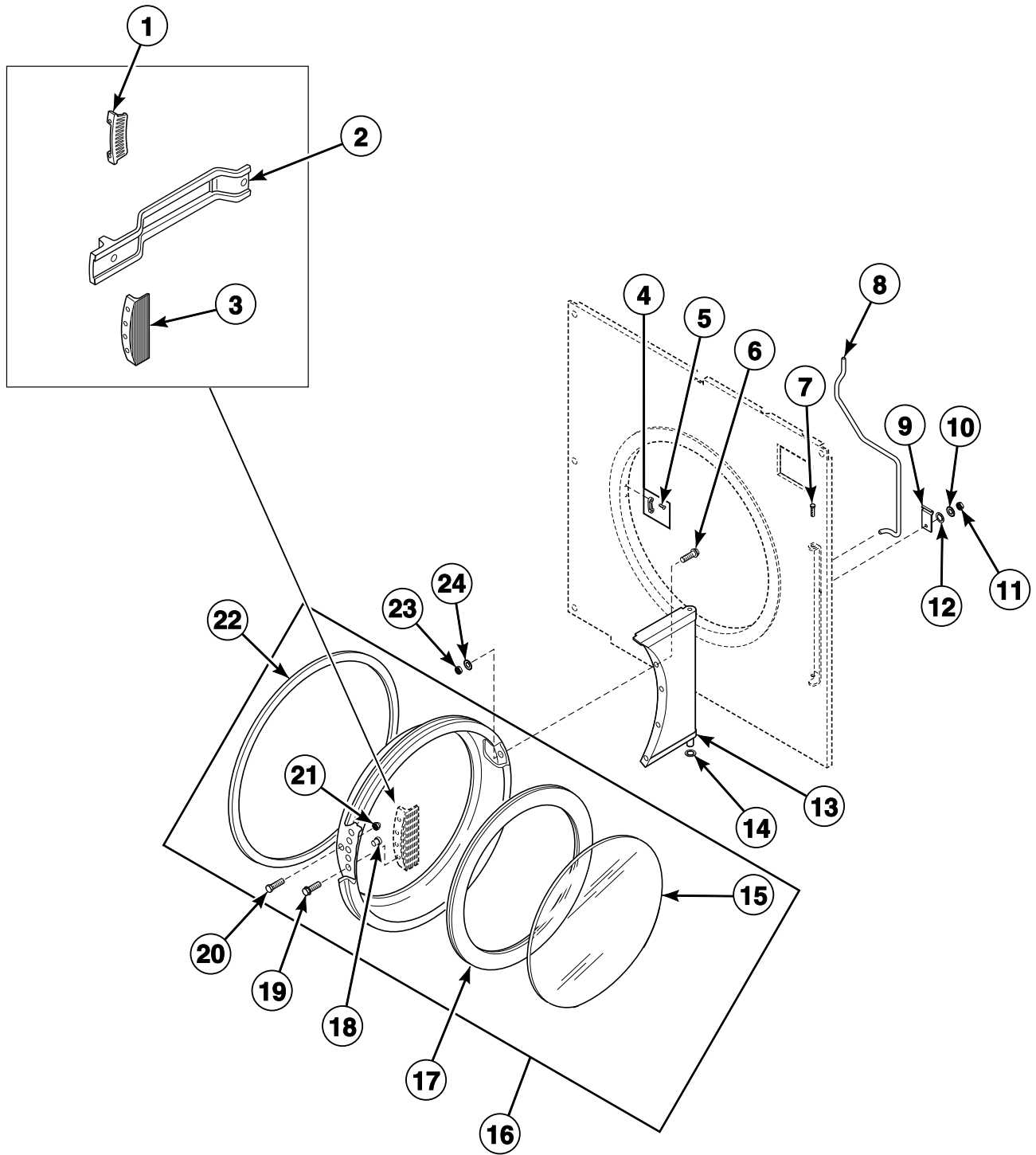
T418P_M414056

Door Switch - CE Models

REF	PART NO.	DESCRIPTION	COMMENTS
1	M412528	Switch Base	
2	M4842P3	Door Safety Switch Kit	
3	M412551	Flexible Coupler	
4	N/A	Door Hinge Assembly	
5	N/A	Screw	
6	M412531	Screw	

N/A = Part no longer available

Loading Door Assembly



T218PZ3D_M414056

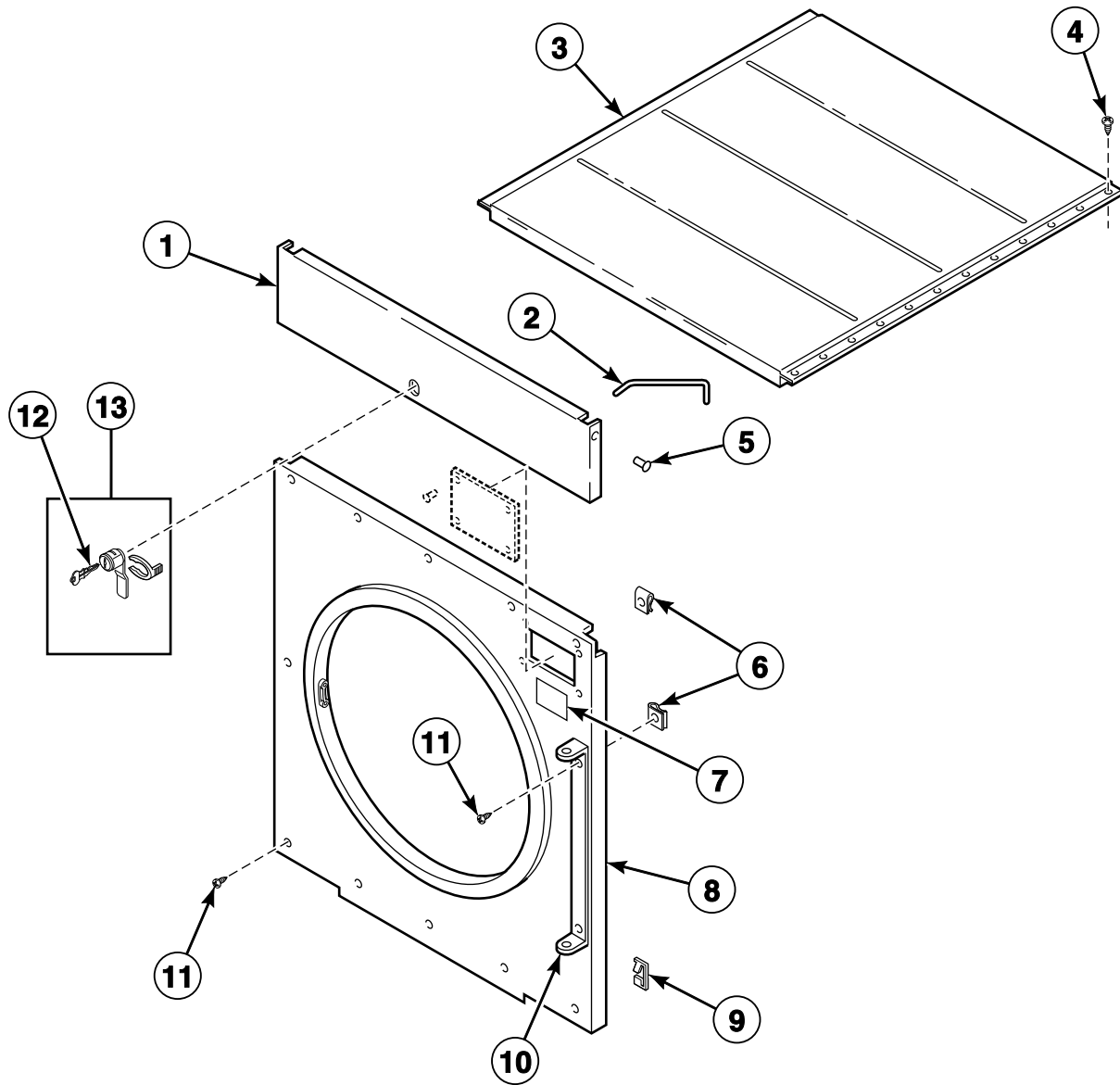
Loading Door Assembly

REF	PART NO.	DESCRIPTION	COMMENTS
1	M400133	Door Handle	Chrome
2	430117	Door Handle	Bar type
3	70133501P	Replacement Door Handle Kit	Cocoa
4	M401223	Door Latch	
5	M405750	Pop Rivet	
6	M400044	Screw	
7	M400653	Hinge Pin	
8	N/A	Door Switch Rod	
9	M400402	Spring Clip	
10	M400017	Washer	
11	20275	Nut	
12	03189	Washer	
13	M400512*	Door Hinge Assembly	Plain
	M400514	Hinge Assembly	Stainless steel
	M402714*	Door Hinge Assembly	Textured
	N/A	Door Hinge Assembly	DC, JC and SC models
14	M400675	Washer	
15	70133601P	Door Glass	J models; Models starting Serial No. 9205015887 with logo
	M400784P	Door Glass	All other models
16	430475	Door Assembly	Bar handle; Black
	M410887	Door Assembly	Cocoa handle
	M400447P	Door Assembly	Chrome handle
17	70211901P	Door Glass Seal Kit	
18	N/A	Door Plug	
19	M409385	Screw	
20	M400661	Screw	
21	M414215	Nut	
22	M406129	Door Ring Gasket	
23	Q6163	Nut	
24	03815	Washer	

* Add Letter To Designate Color. H - Harvest Gold L - Almond W - White

N/A = Part no longer available

Top and Front Panels



T029P_M414056

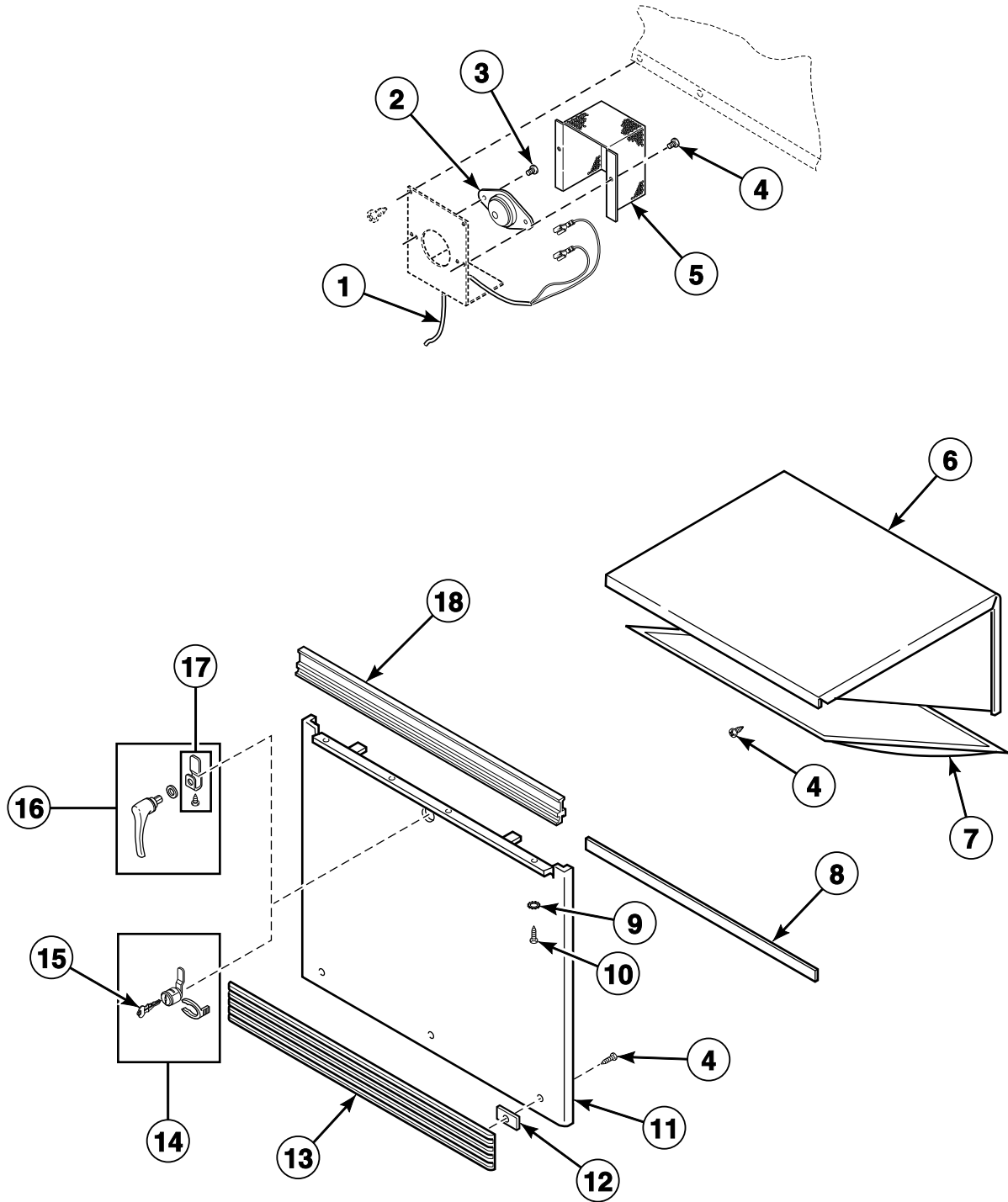
Top and Front Panels

REF	PART NO.	DESCRIPTION	COMMENTS
1	N/A	Top Access Panel	Plain
	M401315	Top Front Panel	Stainless steel
	M405889*	Top Front Panel Assembly	Textured; DC, JC and SC electric and steam models
	M413633*	Top Front Panel	DC, JC and SC gas models
2	N/A	Support Rod	
3	N/A	Top Cover Panel	
4	430497	Screw	
5	M400713	Drive Rivet	
6	N/A	Clip	
7	M410892	Warning Label	Control panel
8	N/A	Front Panel Kit	Plain; All models except coin slide
	M410756P	Front Panel Kit	Stainless steel; All models except coin slide
	N/A	Front Panel Kit	Textured; Coin drop models
	N/A	Front Panel Kit	Textured; Coin slide models
	N/A	Front Panel Assembly	DC, JC and SC manual timer models
	M411124P	Front Panel Kit	Stainless steel; Manual timer models starting Serial No. 9205015887
	N/A	Front Panel Kit	Manual timer models starting Serial No. 9205015887; No vault opening
N/A	Front Panel Assembly	Coin drop models starting Serial No. 9205015887; Includes insulation; EG control	
9	M400984	Clip	
10	431000*	Hinge Bracket	
11	N/A	Screw	
12	M401680	Panel Key	
13	M406654P	Panel Lock	

* Add Letter To Designate Color. H - Harvest Gold L - Almond W - White

N/A = Part no longer available

Lint Panel and Compartment



T363P_M414056

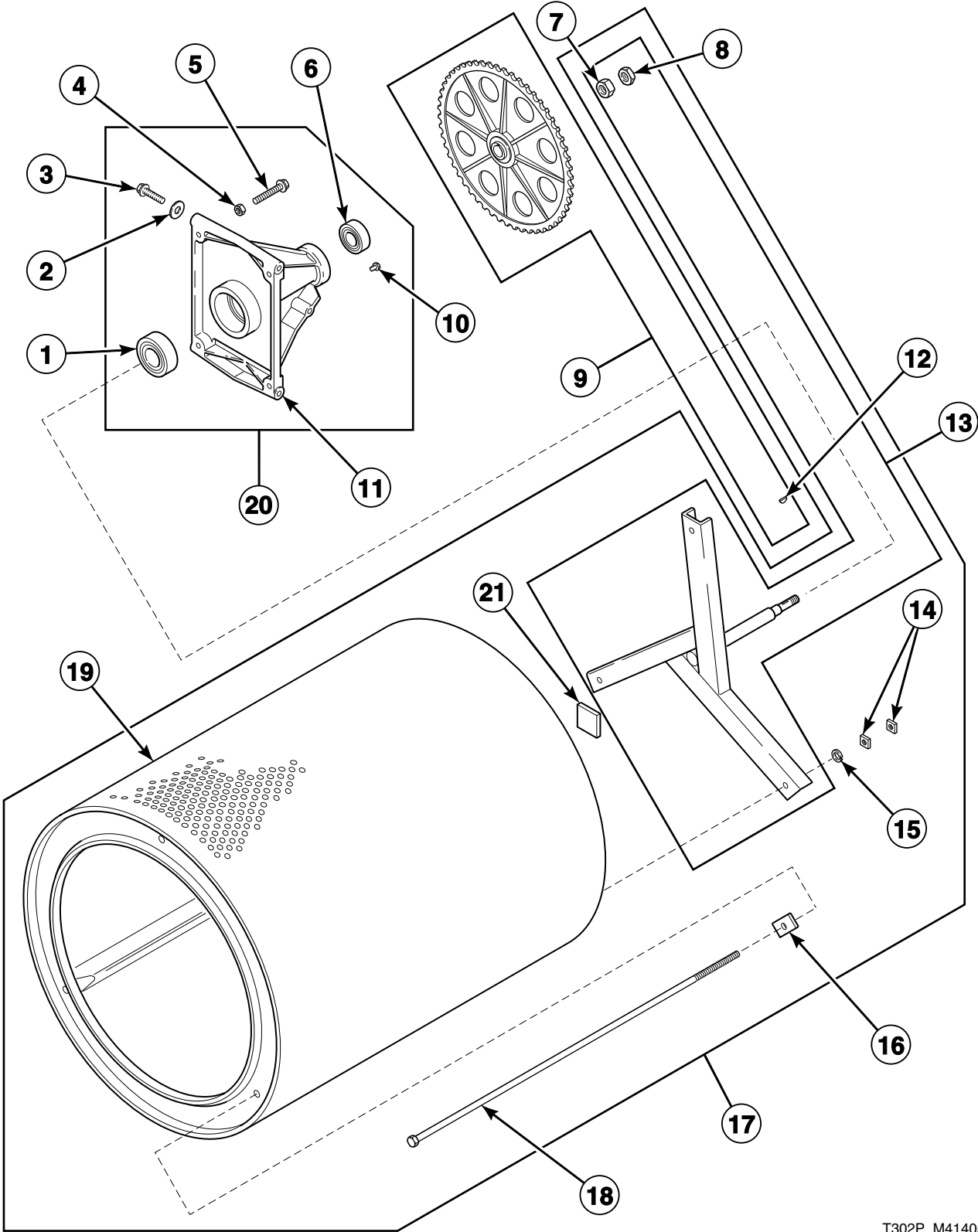
Lint Panel and Compartment

REF	PART NO.	DESCRIPTION	COMMENTS
	M414704	Thermistor	
	430757	Screw	For lint panel
1	N/A	Cord Assembly	
2	M411941	Manual Reset Thermostat	Australian models; Gas models
	M411813	Limit Thermostat	Electric models; Models starting Serial No. TTCK9303031128
	M410542	Limit Thermostat	Gas models; Models starting Serial No. TTCK07247022F
	M406412	Limit Thermostat	Energy Saver models
3	M402797	Screw	
4	M400664	Screw	
5	M414477	Thermostat Cover	
6	M400515	Lint Hood Assembly	Steam models
	M401150	Lint Screen Hood Assembly	All other models
7	M400522	Lint Screen Assembly	
8	M401201	Bumper Trim	
9	03815	Washer	
10	M400657	Screw	
11	M401062*P	Lint Panel Assembly	Plain; Lock and key style (lock and key not included)
	N/A	Lint Panel Assembly	Stainless steel; Lock and key style (lock and key not included)
	M402713*P	Lint Panel Assembly	Textured; Lock and key style (lock and key not included)
	N/A	Lint Panel Assembly	Textured; Handle style (handle not included)
	N/A	Lint Panel Assembly	DC, JC and SC models
12	N/A	Retainer	
13	M414437P	Kickplate Kit	Includes attaching hardware
14	N/A	Panel Lock	
15	M401680	Panel Key	
16	M410243P	Handle and Cam Assembly	Later models
	M400594P	Lint/Access Panel Handle	Earlier models; Attached to lint panel with 2 screws
17	M400595	Cam and Screw	
18	M410783	Bumper	Black; DC and SC models
	N/A	Lint Panel Bumper	Cocoa; J models; Models starting Serial No. TTCK9303031128
	M401161	Bumper Assembly	All other models; Includes item 8

* Add Letter To Designate Color. H - Harvest Gold W - White

N/A = Part no longer available

Cylinder and Trunnion Assemblies



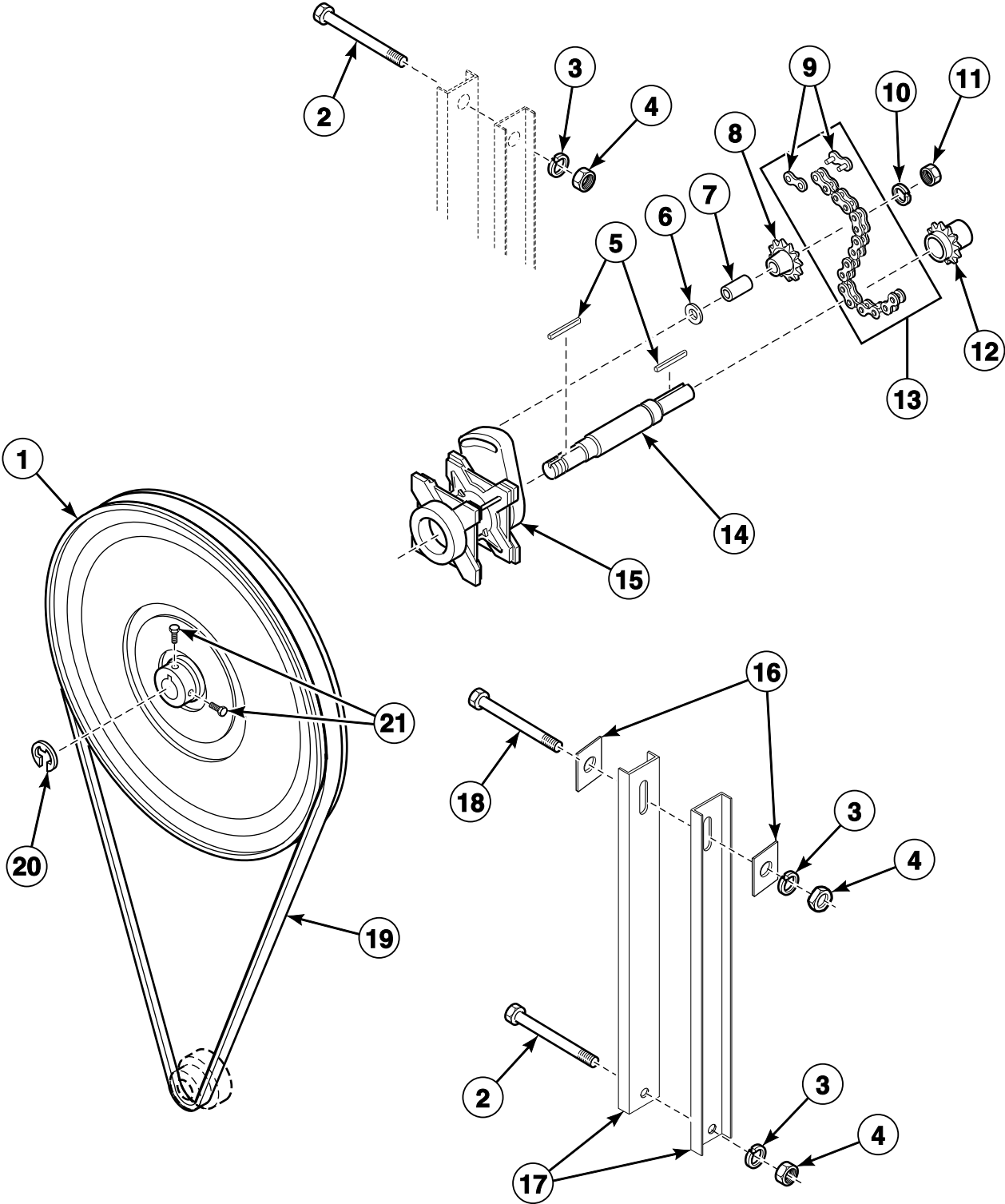
T302P_M414056

Cylinder and Trunnion Assemblies

REF	PART NO.	DESCRIPTION	COMMENTS
	70343101P	Drywall Screw Magnet Kit	
1	M413921P	Ball Bearing	
2	N/A	Washer	
3	N/A	Bolt	
4	M400026	Nut	
5	M400650	Bolt	
6	M400592	Ball Bearing	
7	M400036	Nut	
8	M400023	Nut	
9	M400091P	Sprocket	Chain drive only
10	M409385	Screw	5 required
11	M400144	Trunnion Housing Casting	
12	M400010	Key	
13	M401055P	Trunnion Assembly	
14	M401930	Nut	
15	M400013	Washer	
16	M401947	Washer	
17	M401052P	Cylinder and Trunnion Assembly	
18	M400901	Rib Rod	
19	M401049P	Cylinder	
20	M401349P	Trunnion Housing Assembly	
21	M402144	Felt Pad	

N/A = Part no longer available

Chain Drive Components

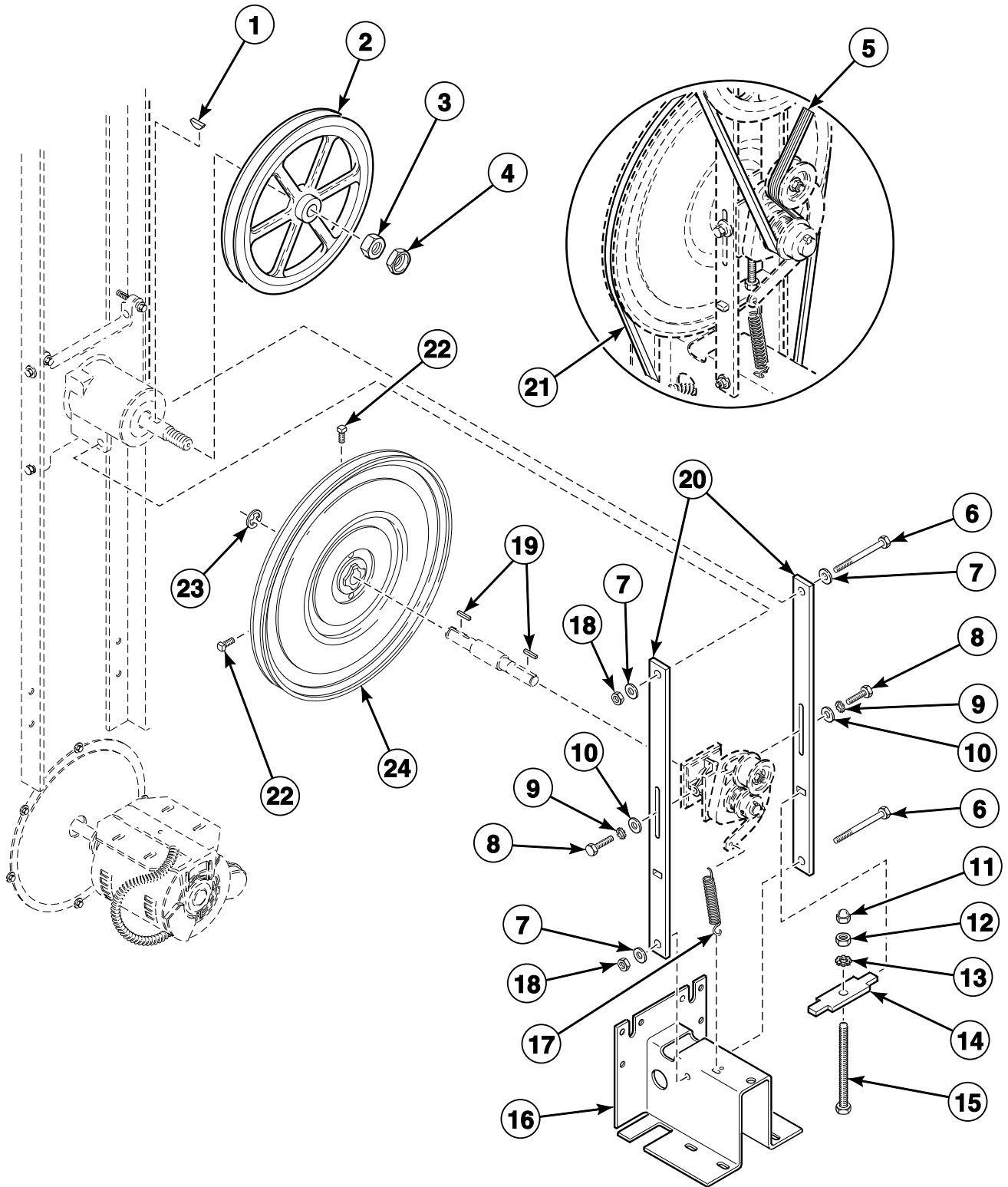


TMB3165P_M414056

Chain Drive Components

REF	PART NO.	DESCRIPTION	COMMENTS
1	44086901P	Sheave Kit	Includes items 8 and 24
2	M405525	Screw	
3	M400013	Washer	
4	02428	Nut	
5	M401327	Key	
6	M400081	Washer	
7	M412474	Sleeve	
8	M401369P	Chain Sprocket	
9	M401360P	Chain Connecting Link	
10	M400014	Washer	
11	M400026	Nut	
12	M401366P	Sprocket	
13	M401425	Roller Chain	
14	M401374P	Idler Shaft	
15	BDK30	Belt Drive Conversion Kit	Use to convert chain drive machine to belt drive
16	M400832	Washer	
17	M412476	Guide Rail	
18	M400078	Bolt	
19	M401182P	Belt	
20	M400399	Ring	
21	M400065	Screw	

Belt Drive Components



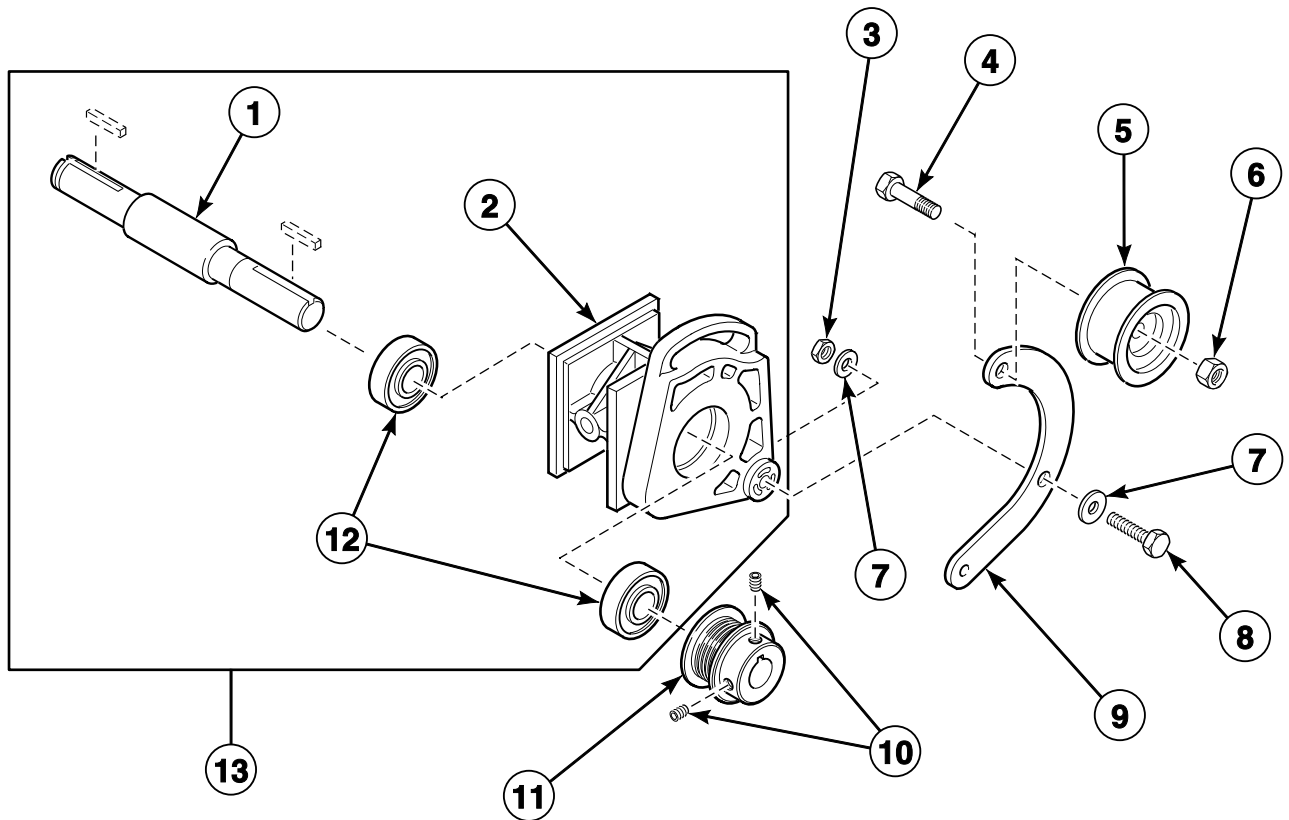
T312PZ3A_M414056

Belt Drive Components

REF	PART NO.	DESCRIPTION	COMMENTS
1	M400010	Key	
2	M412155	Micro V Sheave	
3	M400023	Nut	
4	M400036	Nut	
5	M411424P	Micro V Belt	
6	M405525	Screw	
7	M400014	Washer	
8	M400043	Screw	
9	M403958	Washer	
10	M400080	Washer	
11	M412626	Nut	
12	M404993	Nut	
13	M412188	Washer	
14	M414405	Tension Plate Assembly	
15	M412627	Screw	
16	M411483	Motor Bracket	
17	M412121	Extension Spring	
18	M400026	Nut	
19	M401327	Key	
20	M412476	Guide Rail	
21	M401182P	Belt	
22	M400065	Screw	
23	M400399	Ring	
24	44086901P	Sheave Kit	Includes hardware

Idler Housing Assembly

Belt Drive

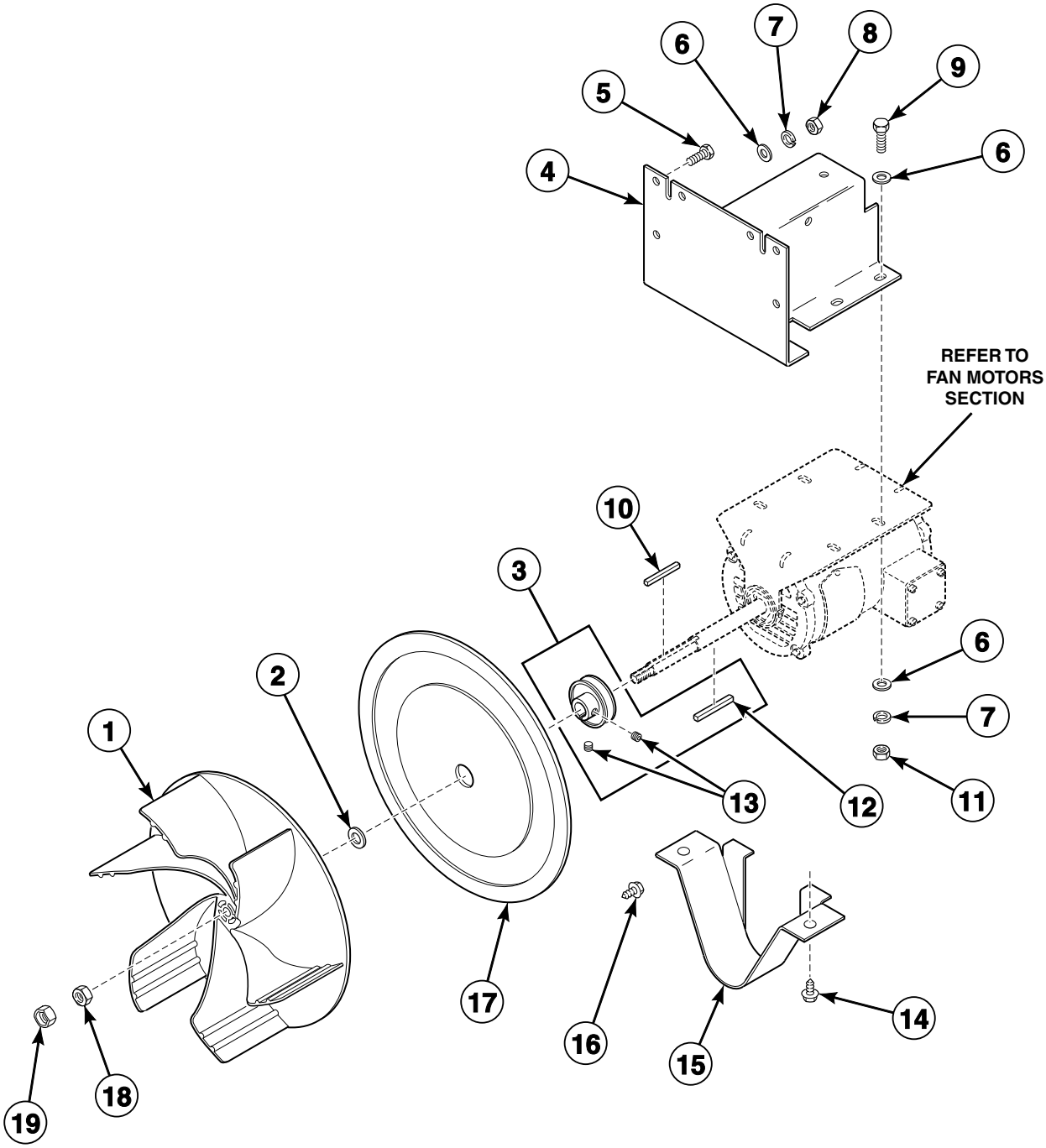


T313P_M414056

Idler Housing Assembly

REF	PART NO.	DESCRIPTION	COMMENTS
1	M412223P	Idler Shaft	
2	943P3P	Idler Housing Kit	
3	52566	Nut	
4	430648	Screw	
5	430619	Drum Idler Wheel Assembly	
6	56156	Nut	
7	M405535	Washer	
8	M412119	Bolt	
9	M414320P	Idler Arm Kit	Includes 430782 Washer and 70187001 Washer
10	M400077	Screw	
11	M411466P	Micro V Pulley	
12	70448701	Support Bearing	
13	M412229P	Idler Housing Kit	

Fan and Motor Assembly



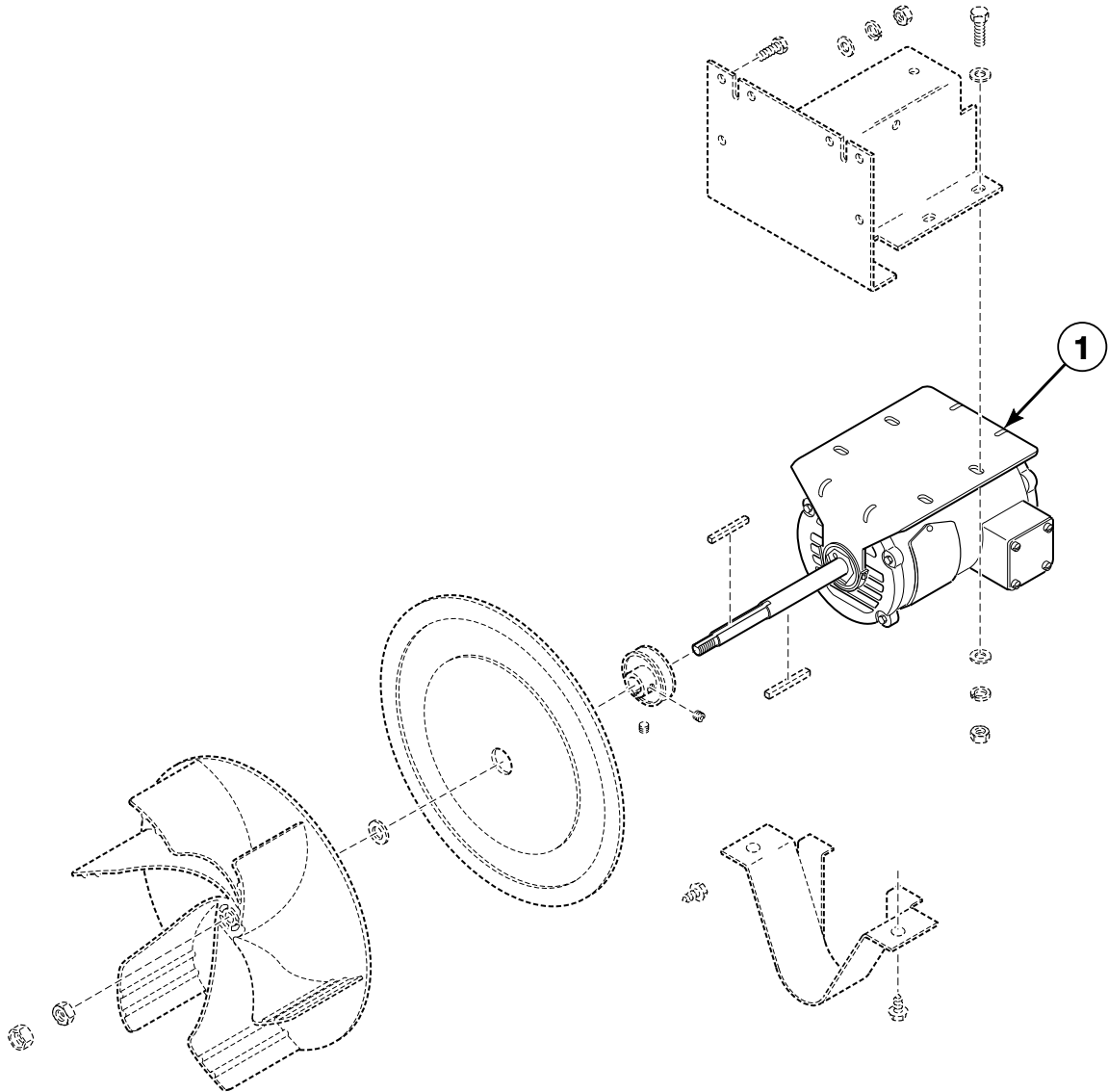
T032PZ3D_M414056

Fan and Motor Assembly

REF	PART NO.	DESCRIPTION	COMMENTS
	M4426P3	Motor Hardware Kit	Includes items 2, 10, 12, 18 and 19
1	44127401P	Blower	Low pressure steam models; Includes item 10
	M4936P3	Fan Kit	All other models; Includes item 10
2	M400991	Washer	
3	M401183P	Pulley	60 Hertz; Steam models
	M414567	Pulley	60 Hertz; Gas and electric models
	N/A	Pulley	50 Hertz; Steam models
	M401186P	Pulley	50 Hertz; Gas and electric models
4	M411483	Motor Bracket	
5	M401393	Bolt	
6	M400080	Washer	
7	M400013	Washer	
8	70142	Nut	
9	M400057	Screw	
10	M400994P	Key and Instruction Kit	Fan
11	02428	Nut	
12	M400993	Key	Pulley
13	M400077	Screw	
14	M405188	Screw	
15	M413008	Belt Guard	
16	M410059	Screw	
17	M401362	Cover Plate	
18	M400022	Nut	
19	M400034	Nut	

N/A = Part no longer available

Fan Motors

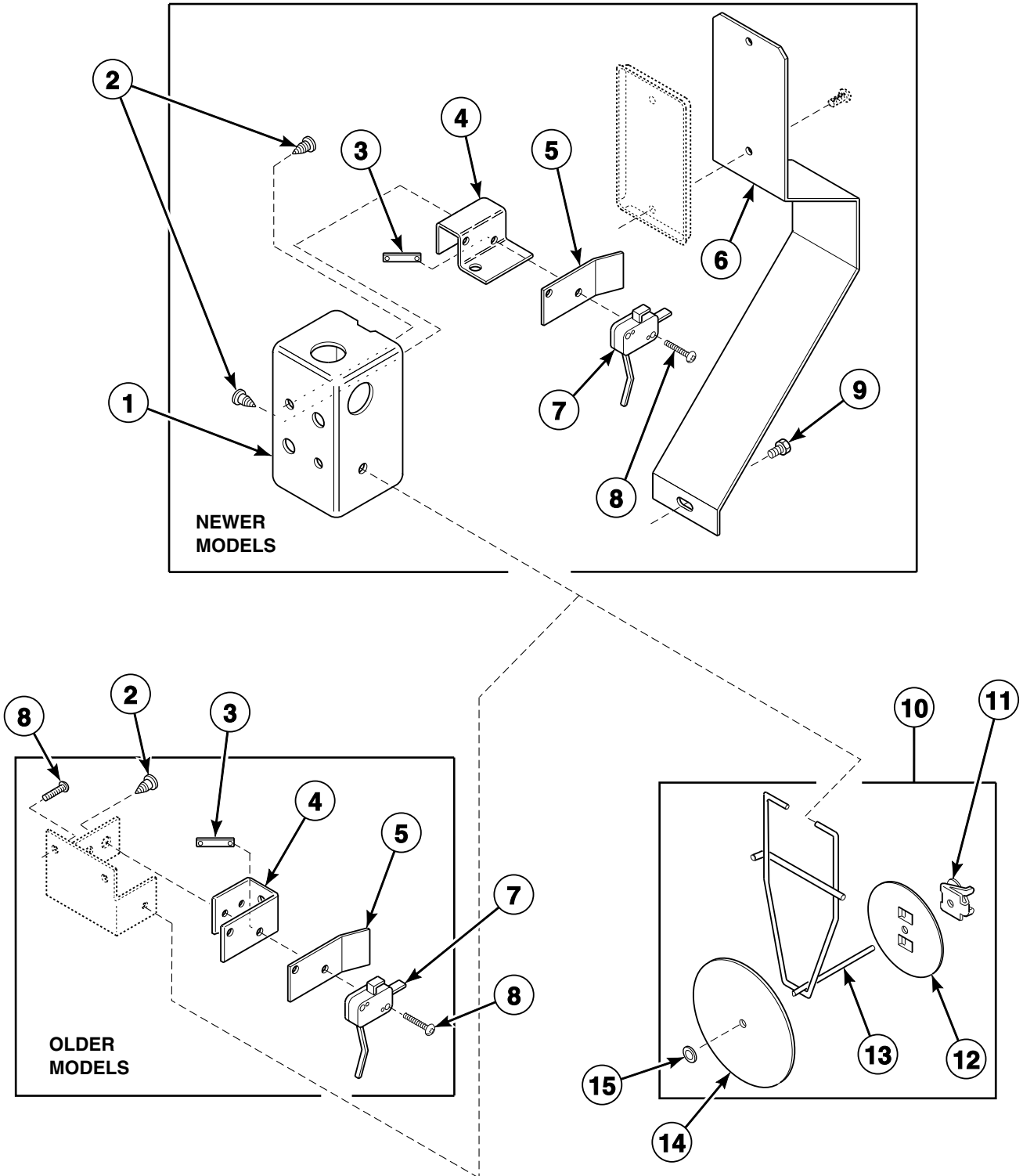


T032PZ3DA_M414056

Fan Motors

REF	PART NO.	DESCRIPTION	COMMENTS
	M4833P3	Motor Replacement Kit	120, 208-240 Volt; Gas, electric and low pressure steam models
	M4834P3	Motor Replacement Kit	120, 208-240 Volt; High pressure steam models; Use M414564 Pulley
	M4858P3	Motor Replacement Kit	120 or 240 Volt/50 Hertz/1 Phase; High pressure steam models; Models through Serial No. 684487YA; 1/2 hp
1	M400379	Motor	208 Volt/1 Phase; Gas and electric models; Models through Serial No. 684487YA
	M411189P	Motor	480 Volt/3 Phase; Gas and electric models; Models through Serial No. 684487YA
	M411191P	Motor	Low pressure steam models; Models through Serial No. 684487YA; 3/4 hp
	M412227P	Motor	Low pressure steam models; Models starting Serial No. 684487YA; 3/4 hp; 1 Phase
	44045901P	Fan Motor	230 Volt/50 Hertz/1 Phase; DC, JC and SC models; Models starting Serial No. 684487YA
	44046001P	Fan Motor	230, 280 or 415 Volt/50 Hertz/3 Phase; DC, JC and SC electric models; Models starting Serial No. 684487YA
	44048701P	Motor	115 or 230 Volt/50 Hertz/1 Phase; DC, JC and SC steam models; Models starting Serial No. 684487YA
	44046101P	Motor	230, 380 or 415 Volt/50 Hertz/3 Phase; DC, JC and SC steam models; Models starting Serial No. 684487YA
	44048801P	Motor	230 Volt/50 Hertz/1 Phase; DC, JC and SC models; Models starting Serial No. 684487YA

Airflow Switch and Vane Assembly

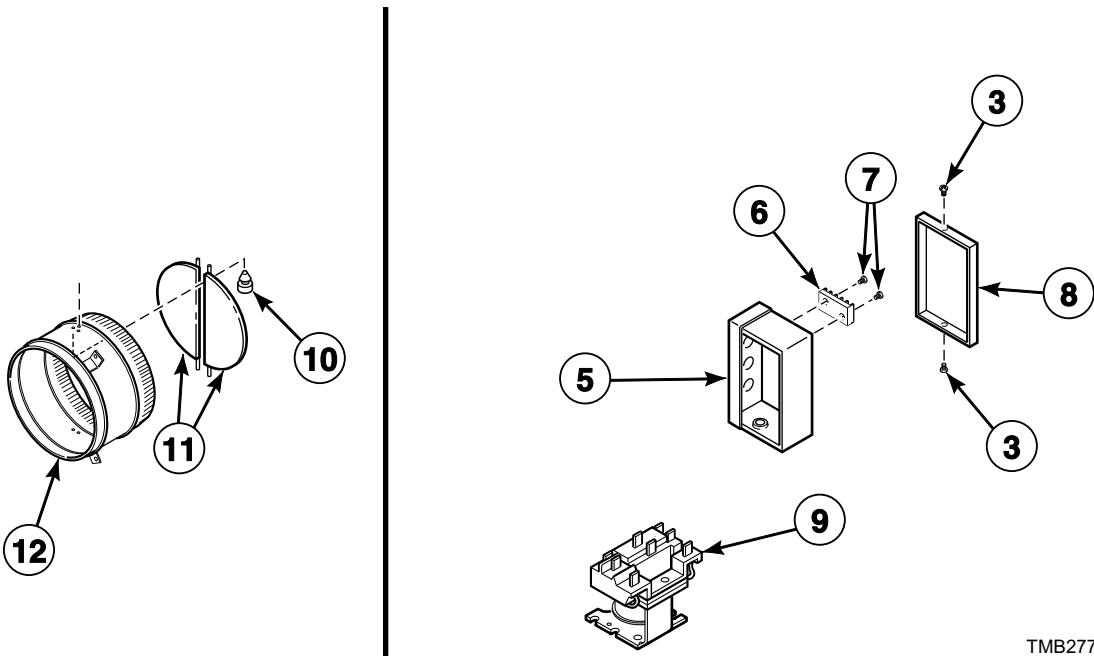
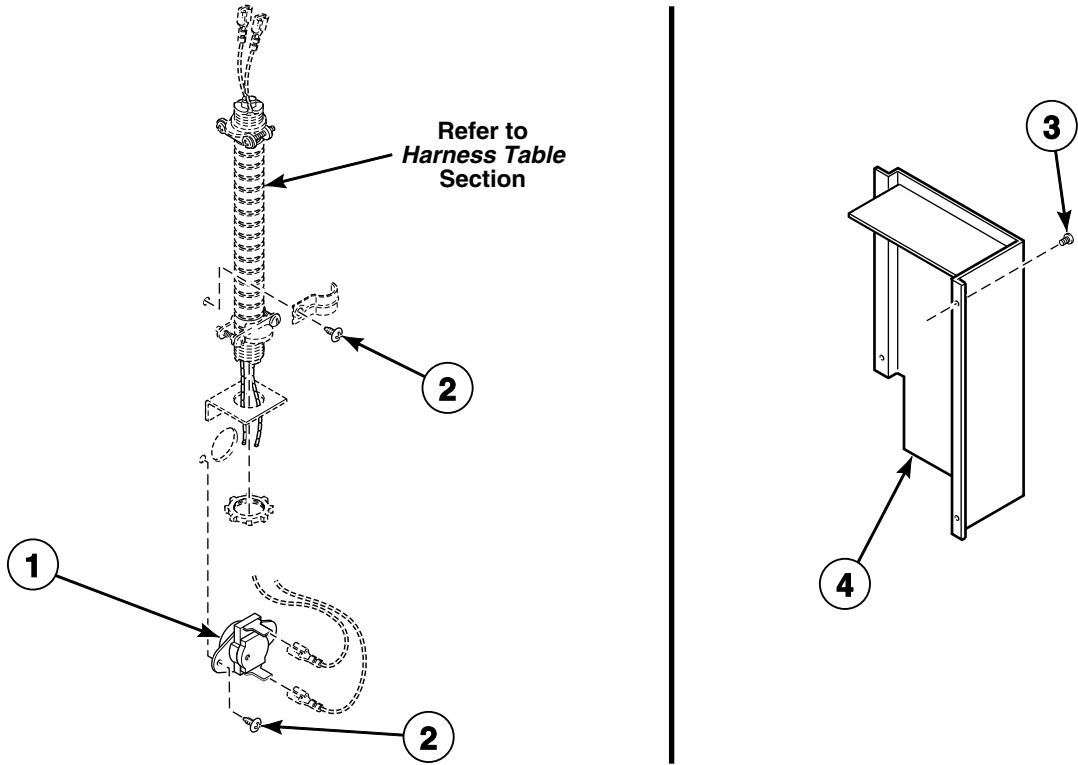


T034P_M414056

Airflow Switch and Vane Assembly

REF	PART NO.	DESCRIPTION	COMMENTS
1	M403235	Airflow Switch Handy Box	
2	M400664	Screw	
3	M400979	Nut	
4	M409202	Airflow Switch Bracket	
5	M400712	Airflow Switch Insulator Barrier	
6	M410544	Airflow Switch Guard	
7	M412423	Actuator Switch	DC, JC and SC models
	M400944	Airflow Switch	DT, JT and ST models
8	M401938	Screw	
9	430497	Screw	
10	M400541	Vane Assembly	DC, JC and SC models
	M400542	Airflow Switch Vane Assembly	DT, JT and ST models
11	M400976	Clip	
12	M400822	Counterweight	
13	M400753	Airflow Switch Vane Lever	
14	M400253	Vane	
15	M400977	Nut	

Cabinet High Limit Thermostat (EG), Chain Guard, Damper Vane and Junction Box



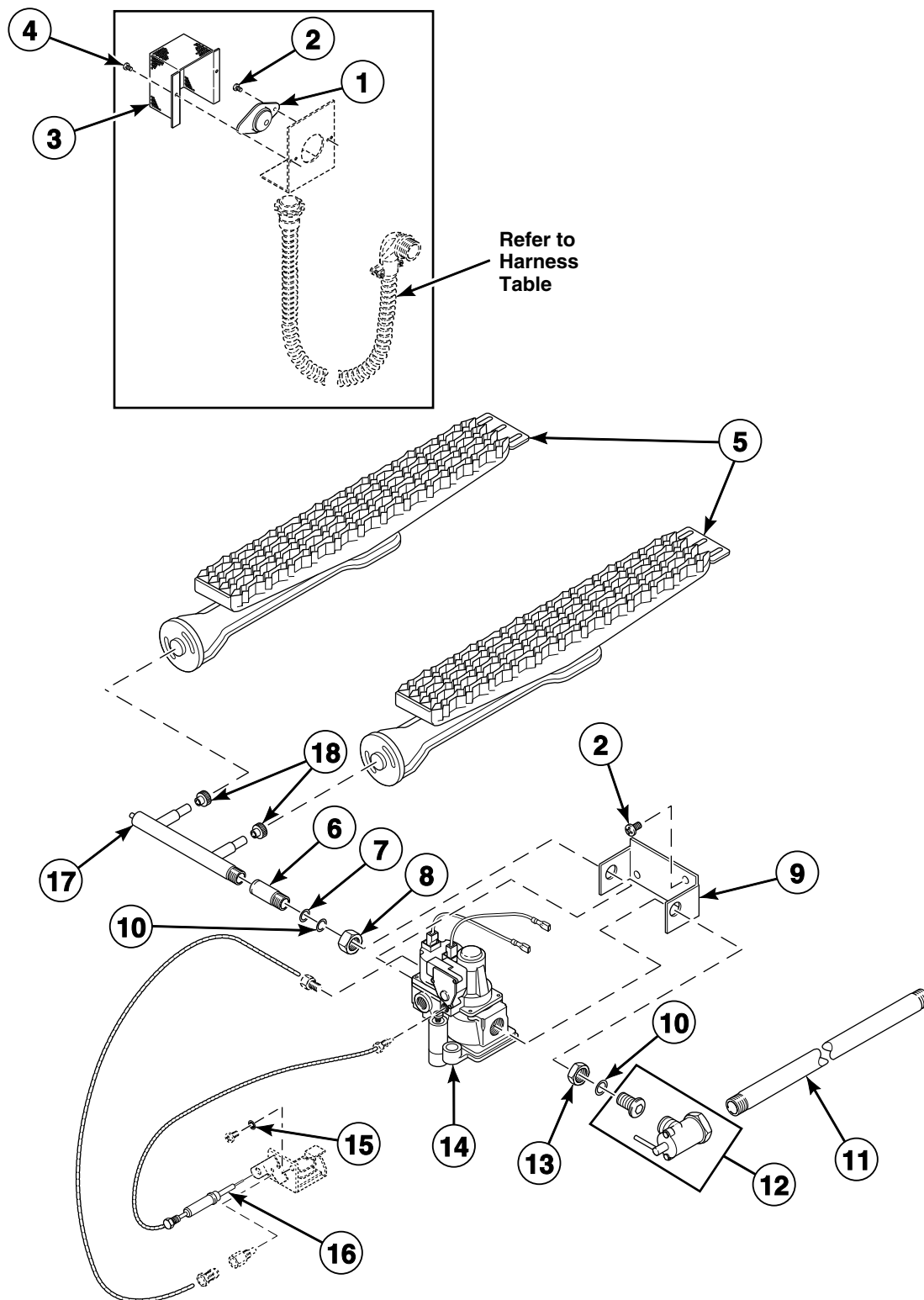
TMB2776P_M414056

Cabinet High Limit Thermostat (EG), Chain Guard, Damper Vane and Junction Box

REF	PART NO.	DESCRIPTION	COMMENTS
1	M401257	High Limit Thermostat	Energy Saver models
2	M400664	Screw	
3	51780	Screw	
4	M411477	Chain Guard Assembly	Energy Saver models
	44132401	Belt Guard Assembly	All other models
5	N/A	Junction Box Assembly	
6	M405364	Terminal Block	Steam models; 120 Volt gas models
	M405363	Terminal Block	208 or 240 Volt gas models
7	M405824	Screw	
8	N/A	Junction Box Cover	
9	M400912P	Relay	208-240 Volt/60 Hertz/1 Phase
10	M400795	Bumper	
11	M400503	Thimble Vane Assembly	
12	M412288	Exhaust Thimble Assembly	

N/A = Part no longer available

Burner Assembly for Standing Pilot Ignition



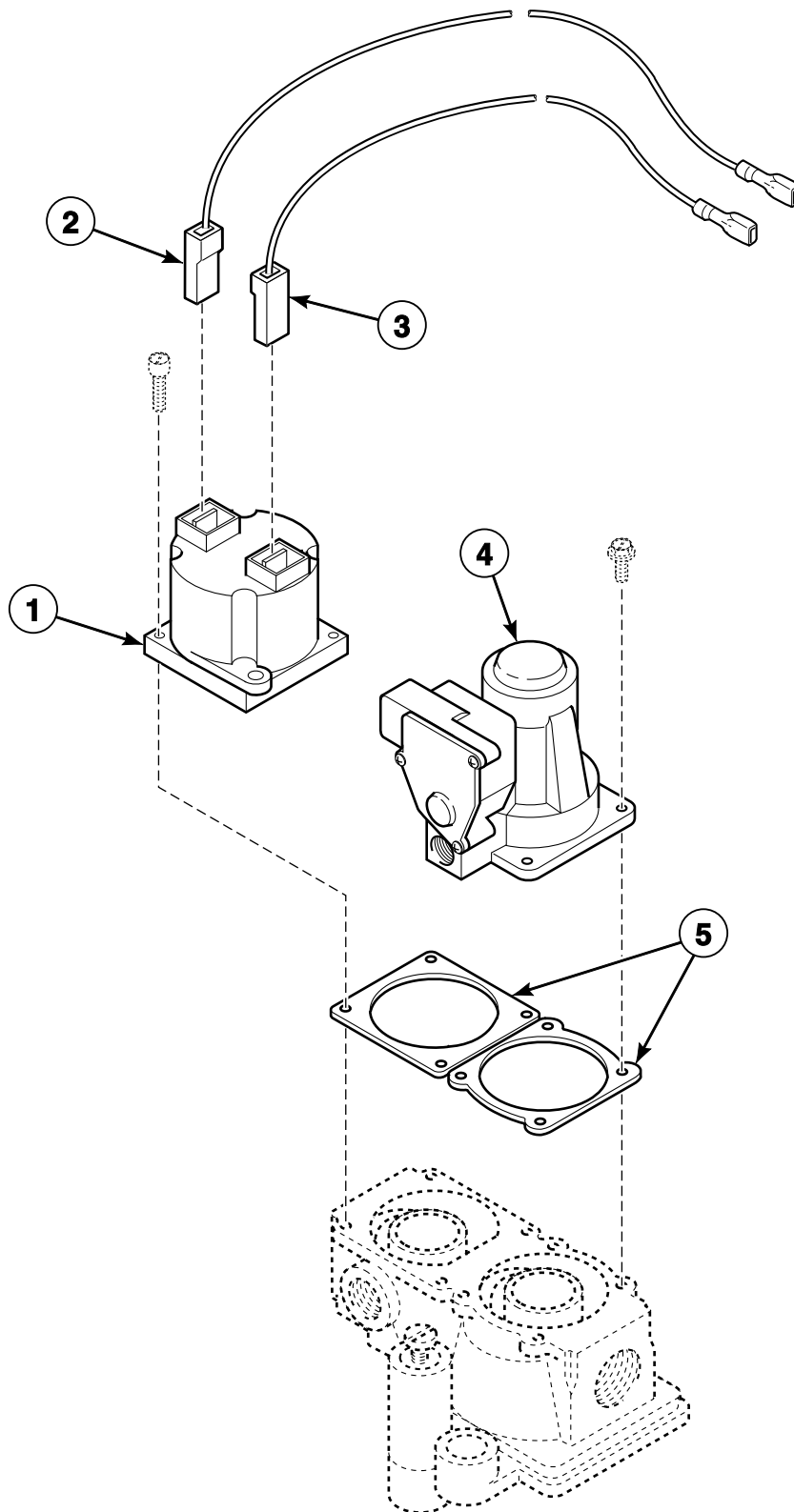
T035P_M414056

Burner Assembly for Standing Pilot Ignition

REF	PART NO.	DESCRIPTION	COMMENTS
	M4325P3	L.P. Conversion Kit	
1	M409433	Limit Thermostat	
2	M402797	Screw	
3	M414477	Thermostat Cover	
4	M400664	Screw	
5	M4448P3	Burner Kit	Includes 2 burners
6	M406681	Manifold Pipe Assembly	
7	M400606	Washer	
8	M401548	Nut	
9	N/A	Bracket	
10	M400605	Anti-Torque Ring	
11	M400749	Pipe	
12	M4983P3	Shut-Off Valve Kit	
13	M401549	Nut	
14	M401228P	Gas Valve	Natural Gas (N.G.); 120 Volt
	M401229P	Gas Valve	N.G.; 208-240 Volt
	M401230P	Gas Valve	Liquid Petroleum Gas (L.P.); 120 Volt
	M401231P	Gas Valve	L.P.; 208-240 Volt
15	03815	Washer	
16	M400934	Thermocouple	
17	N/A	Manifold	
18	Q8152	Burner Orifice	Early ignition systems models; N.G.; 0-2,000 feet; Drill size 0.023
	M400918	Burner Orifice	Early ignition systems models; L.P.; 0-2,000 feet; Drill size 0.12

N/A = Part no longer available

Gas Valve Components for Standing Pilot Ignition



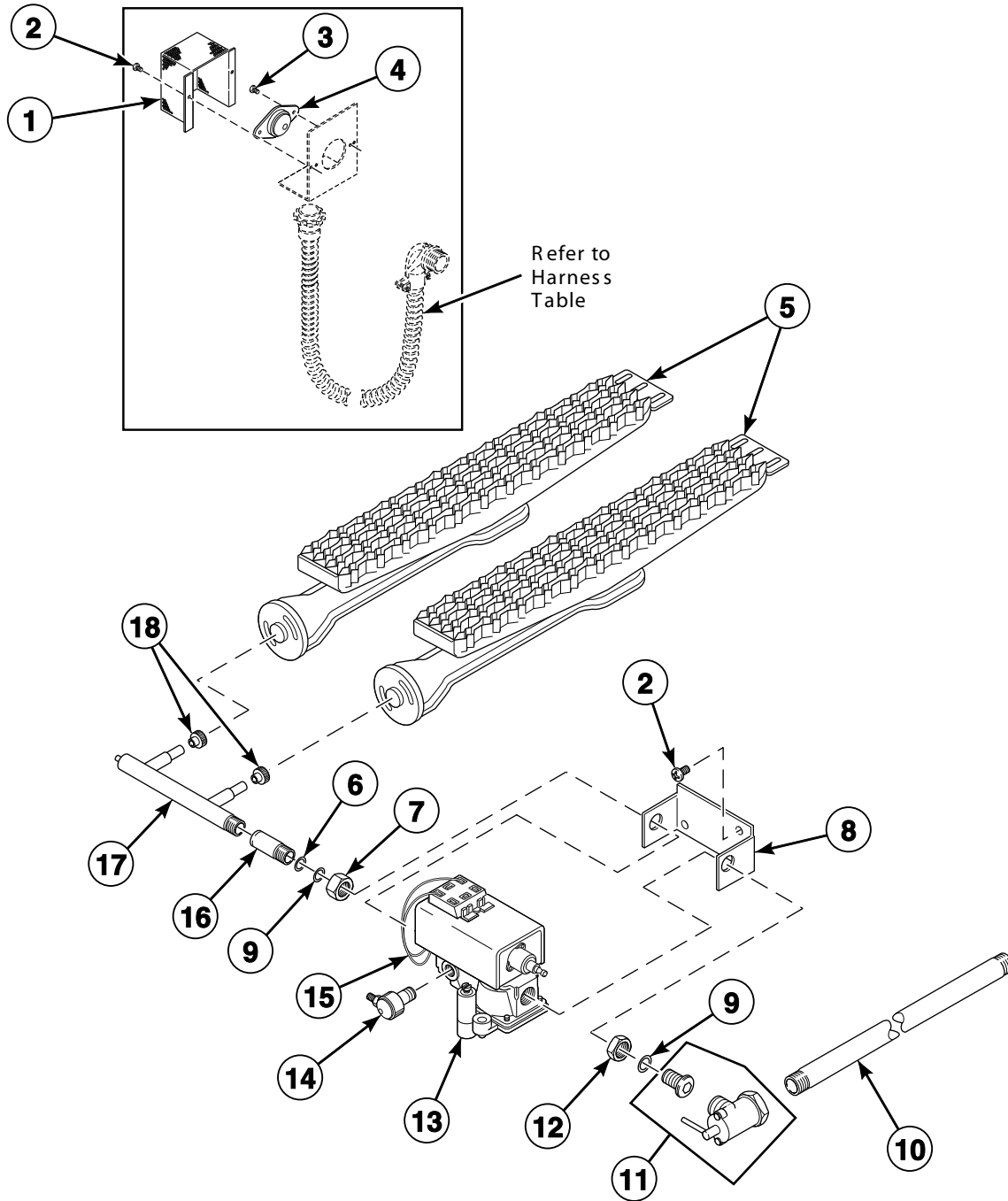
T036P_M414056

Gas Valve Components for Standing Pilot Ignition

REF	PART NO.	DESCRIPTION	COMMENTS
1	N/A	Operator	120 Volt
	M400331P	Operator	208-240 Volt
2	M400337	Jumper Wire	
3	N/A	Wire	
4	M400329P	Reset Assembly	
5	M400798	Gasket	

N/A = Part no longer available

Burner Assembly for Automatic Pilot Ignition



T366PZ3A_M414056

Burner Assembly for Automatic Pilot Ignition

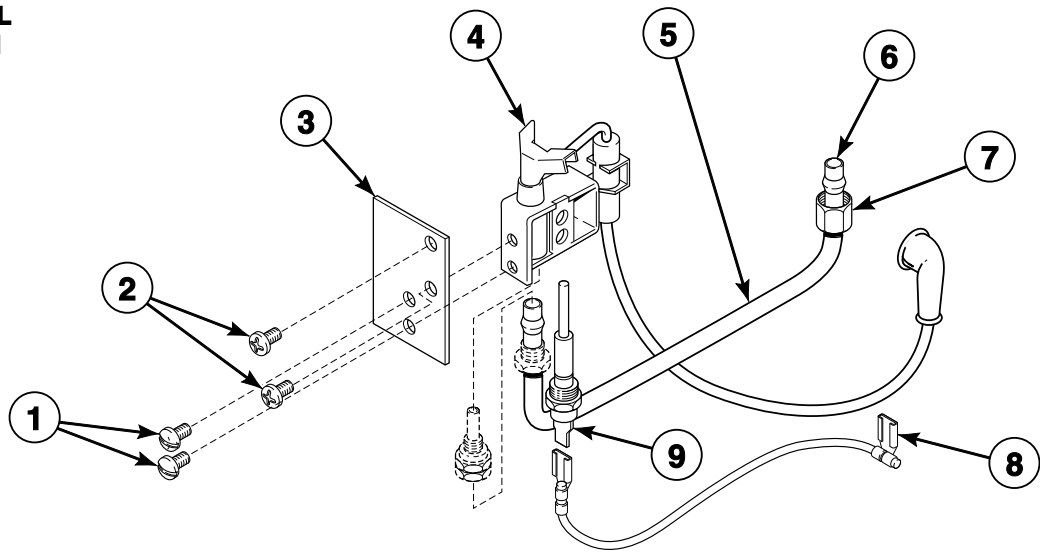
REF	PART NO.	DESCRIPTION	COMMENTS
	M4337P3	Igniter Kit	Liquid Petroleum Gas (L.P.)
	M4338P3	Igniter Kit	Natural Gas (N.G.)
1	M414477	Thermostat Cover	
2	M400664	Screw	
3	M402797	Screw	
4	M409433	Limit Thermostat	
5	M4448P3	Burner Kit	Includes 2 burners
6	M400606	Washer	
7	M401548	Nut	
8	N/A	Bracket	
9	M400605	Anti-Torque Ring	
10	M400749	Pipe	
11	M4983P3	Shut-Off Valve Kit	
12	M401549	Nut	
13	M401225P	Gas Valve Kit	L.P.
	M401224P	Gas Valve	N.G.
14	N/A	Pilot Filter	
15	M410011P	Pilot Ignition Control	
16	M406681	Manifold Pipe Assembly	
17	N/A	Manifold	
18	N/A	Burner Orifice	Early ignition systems models; N.G.; Horizontal; 0-2,000 feet; Drill size 0.025
	M402701	Burner Orifice	Early ignition system models; N.G.; Vertical; 0-2,000 feet; Drill size 0.23
	M400918	Burner Orifice	Early ignition systems models; L.P.; Horizontal; 0-2,000 feet; Drill size 0.12
	M402598	Burner Orifice	Early ignition systems models; L.P.; Vertical; 0-2,000 feet; Drill size 0.12

N/A = Part no longer available

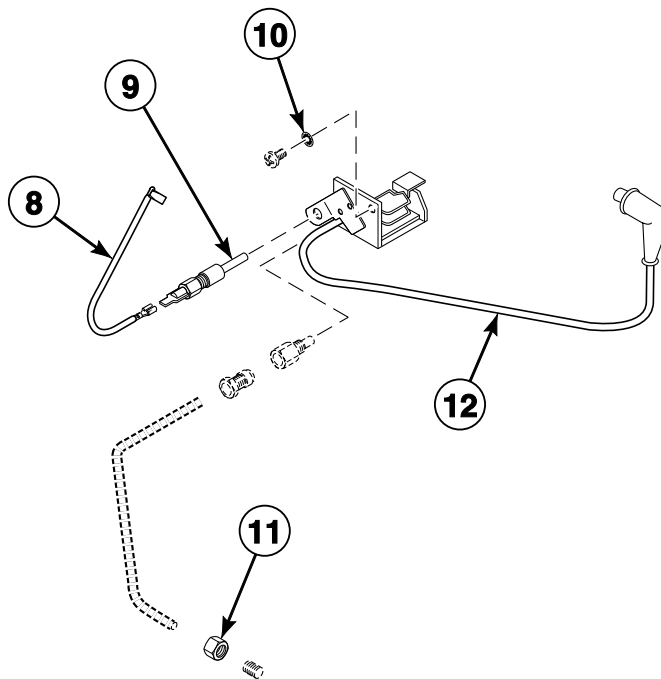
Vertical and Horizontal Ignition Systems

Automatic Pilot Ignition

VERTICAL IGNITION SYSTEM



HORIZONTAL IGNITION SYSTEM

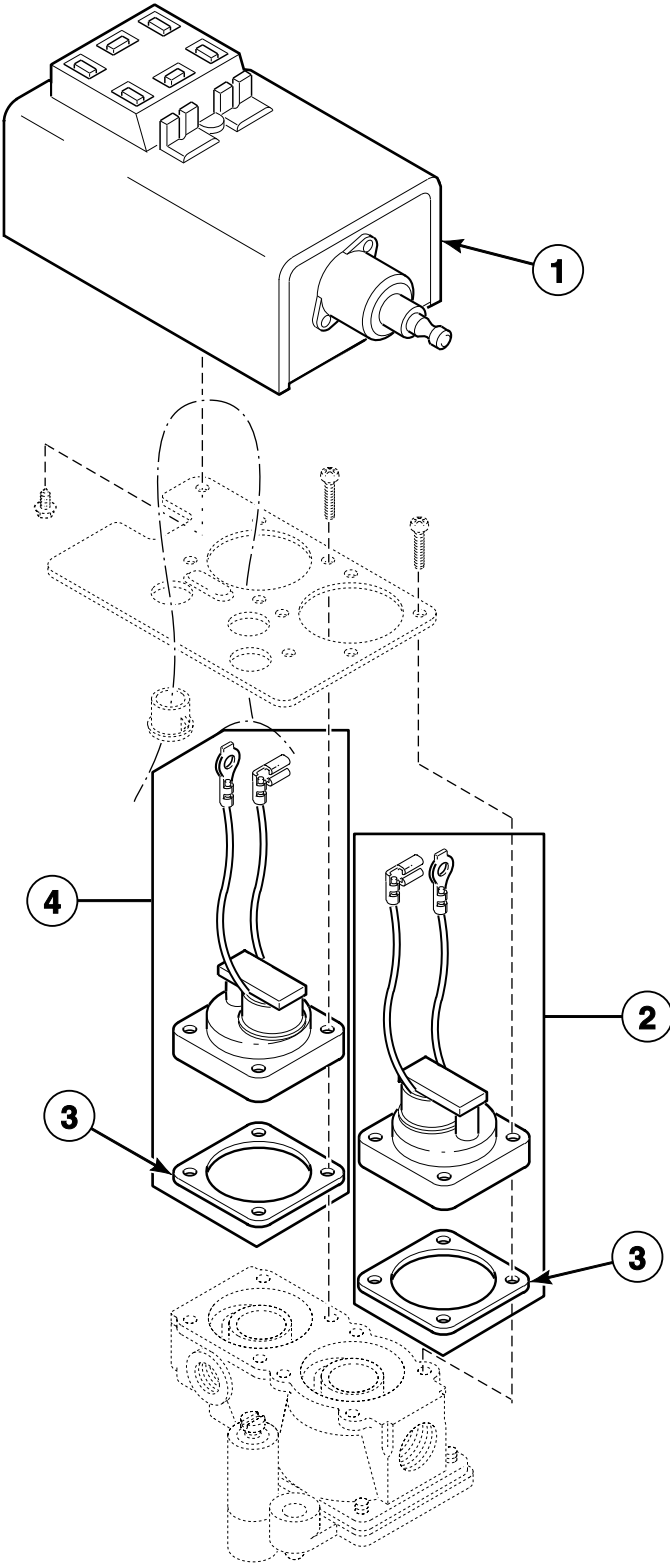


T037PZ3D_M414056

Vertical and Horizontal Ignition Systems

REF	PART NO.	DESCRIPTION	COMMENTS
1	M402595	Screw	
2	M409385	Screw	
3	M402594	Ignition Bracket	
4	M402591P	Pilot Electrode	
5	M402596	Pilot Tubing	
6	M400925	Sleeve	Compression
7	M400926	Nut	Compression
8	M402597	Wire Lead	
9	M401209P	Sensor Probe	
10	03815	Washer	
11	JT-149-3	Nut	
12	M4337P3	Igniter Kit	Liquid Petroleum Gas (L.P.)
	M4338P3	Igniter Kit	Natural Gas (N.G.)

Gas Valve Components for Automatic Pilot Ignition



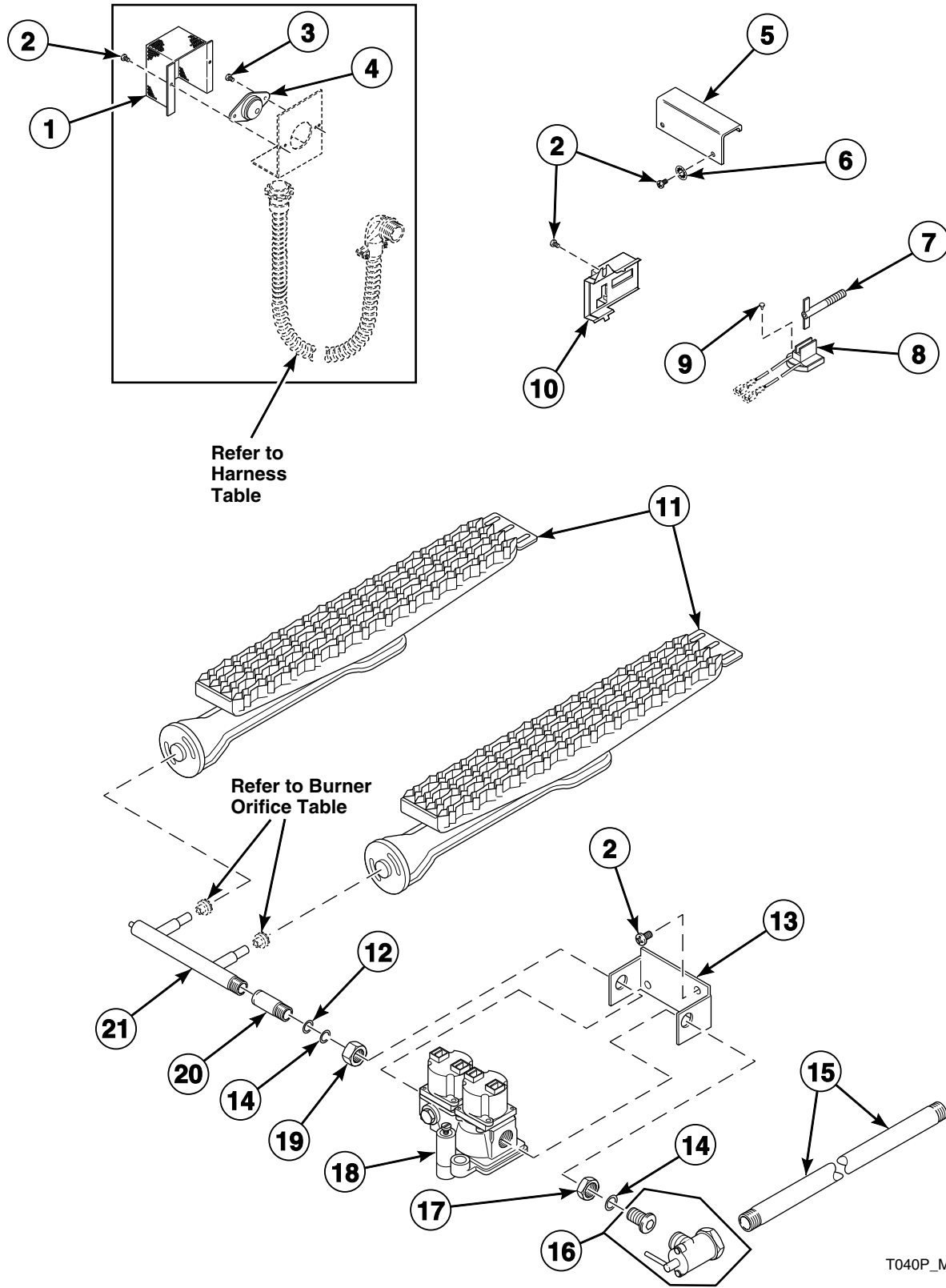
T048P_M414056

Gas Valve Components for Automatic Pilot Ignition

REF	PART NO.	DESCRIPTION	COMMENTS
	M410012P	Valve Operating Coil	24 Volt; Encapsulated; With spade terminal connection
	M4385P3	Remote Igniter Kit	
1	N/A	Electronic Package	Order M4385P3 Remote Igniter Kit
2	M401226P	Pilot Operator	
3	M400798	Gasket	
4	M401227P	Main Operator	

N/A = Part no longer available

Burner Assembly for Glow-Bar Ignition - Johnson Control



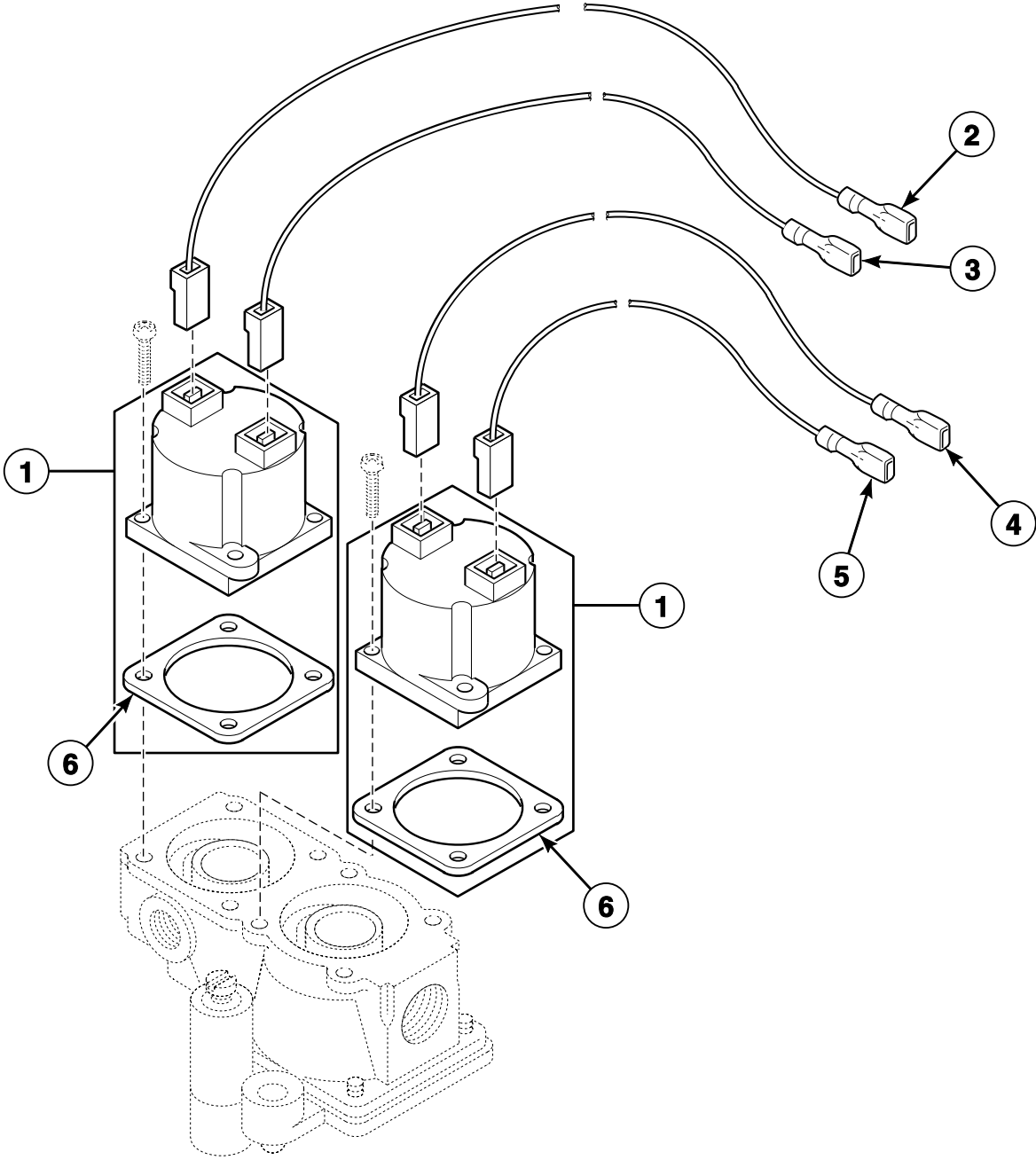
T040P_M414056

Burner Assembly for Glow-Bar Ignition - Johnson Control

REF	PART NO.	DESCRIPTION	COMMENTS
1	M414477	Thermostat Cover	
2	M400664	Screw	
3	M402797	Screw	
4	M401404	Limit Thermostat	Energy Saver models
	M409433	Limit Thermostat	Standard models
5	M402746	Deflector Shield	
6	03815	Washer	
7	55438P	Igniter	
8	M402745P	Igniter Bracket Assembly	
9	56693	Screw	
10	510213	Sensor	
11	M4448P3	Burner Kit	Includes 2 burners
12	M400606	Washer	
13	N/A	Bracket	
14	M400605	Anti-Torque Ring	
15	M400749	Pipe	
16	M4983P3	Shut-Off Valve Kit	
17	M401549	Nut	
18	M403151P	Gas Valve	Liquid Petroleum Gas (L.P.)
	M402750P	Gas Valve	Natural Gas (N.G.)
19	M401548	Nut	
20	M406681	Manifold Pipe Assembly	
21	N/A	Manifold	

N/A = Part no longer available

Gas Valve Components for Glow-Bar Ignition - Johnson Control



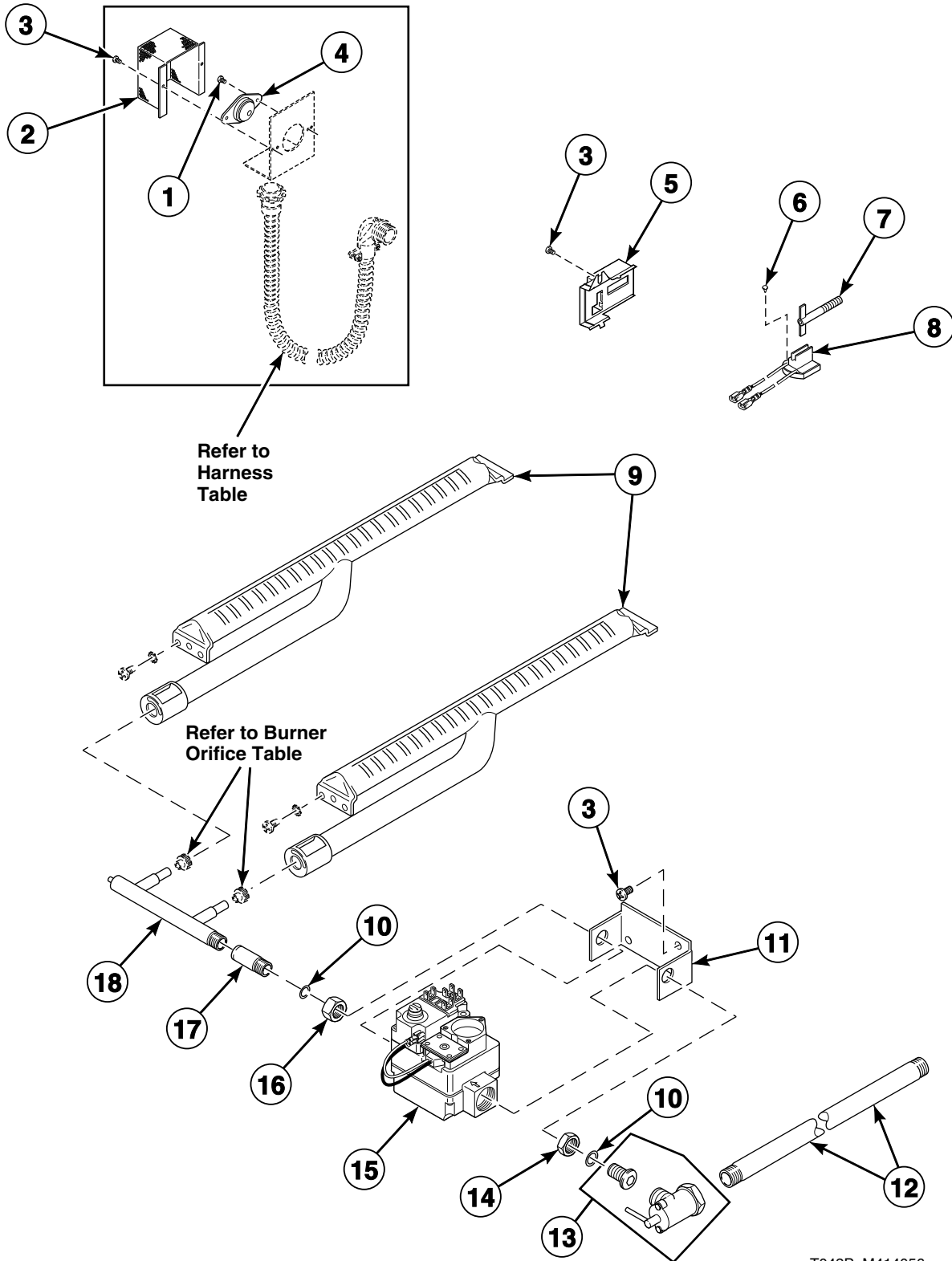
T041P_M414056

Gas Valve Components for Glow-Bar Ignition - Johnson Control

REF	PART NO.	DESCRIPTION	COMMENTS
1	M406217P	Magnetic Operator	Includes item 6
2	M402824	Jumper Wire	Blue
3	N/A	Jumper Wire	Purple
4	M402825	Jumper Wire	Blue
5	M402823	Jumper Wire	Purple
6	M400798	Gasket	

N/A = Part no longer available

Burner Assembly for Glow-Bar Ignition - White Rodgers Control

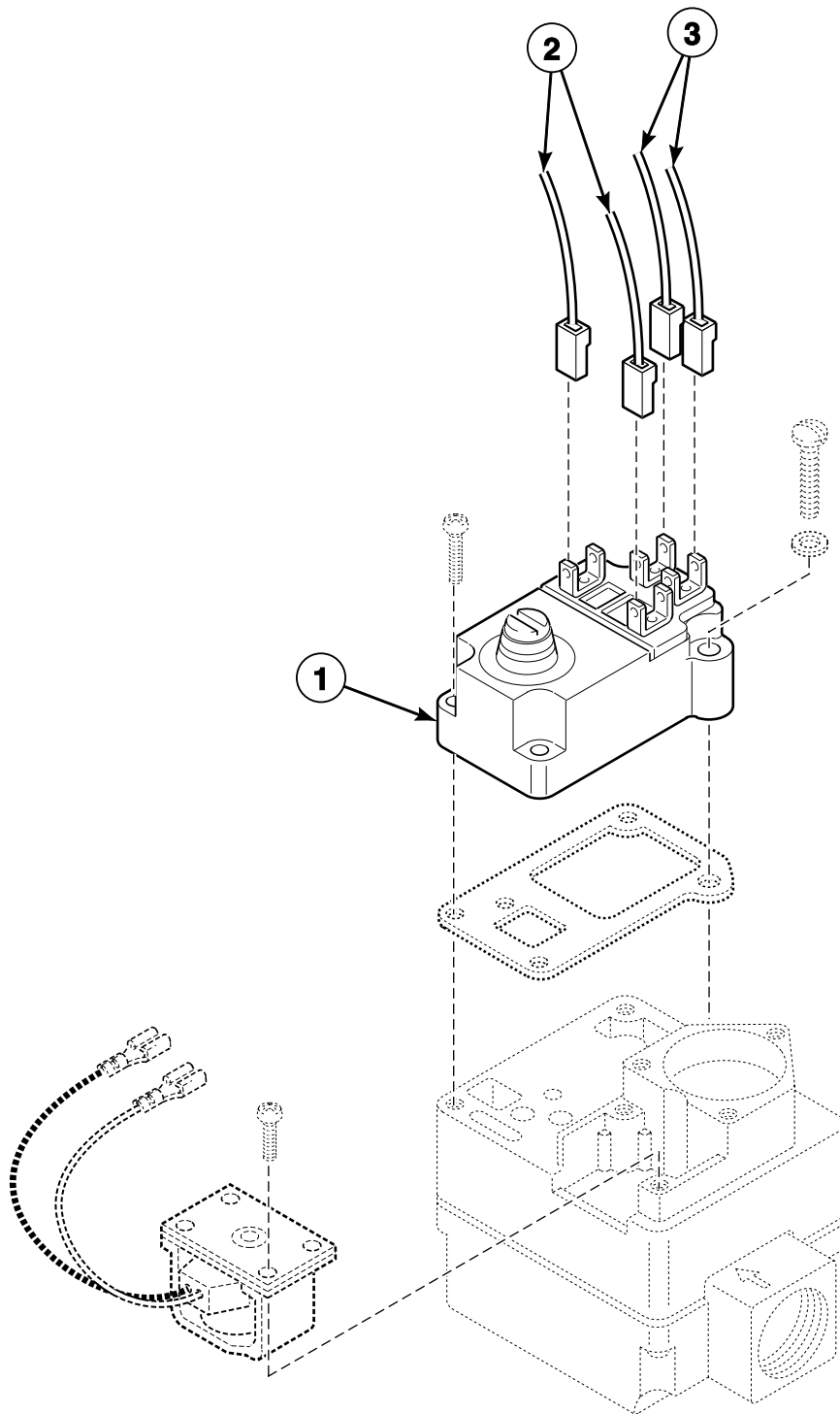


Burner Assembly for Glow-Bar Ignition - White Rodgers Control

REF	PART NO.	DESCRIPTION	COMMENTS
	M4377P3	L.P. Conversion Kit	Standard models
	M4378P3	L.P. Conversion Kit	Energy Saver models
1	M402797	Screw	
2	M414477	Thermostat Cover	
3	M400664	Screw	
4	M401404	Limit Thermostat	Energy Saver models
	M409433	Limit Thermostat	Standard models
5	510213	Sensor	
6	56693	Screw	
7	55438P	Igniter	
8	M402745P	Igniter Bracket Assembly	
9	M405919	Burner Assembly	Models through Serial No. TTCK0724702ZF
	M410541P	Burner Assembly	Models starting Serial No. TTCK0724702ZF
10	M400605	Anti-Torque Ring	
11	M405945	Gas Valve Bracket	Models through Serial No. TTCK0724702ZF
	M406814	Gas Valve Bracket	Models starting Serial No. TTCK0724702ZF
12	M400749	Pipe	
13	M4983P3	Shut-Off Valve Kit	
14	M401549	Nut	
15	M4987P3	Gas Valve Kit	Liquid Petroleum Gas (L.P.)
	M4986P3	Gas Valve Kit	Natural Gas (N.G.)
16	M401548	Nut	
17	M406681	Manifold Pipe Assembly	
18	N/A	Manifold	Models through Serial No. TTCK0724702ZF
	M410546	Spud Holder Assembly	Models starting Serial No. TTCK0724702ZF

N/A = Part no longer available

Gas Valve Components for Glow-Bar Ignition - White Rodgers Control



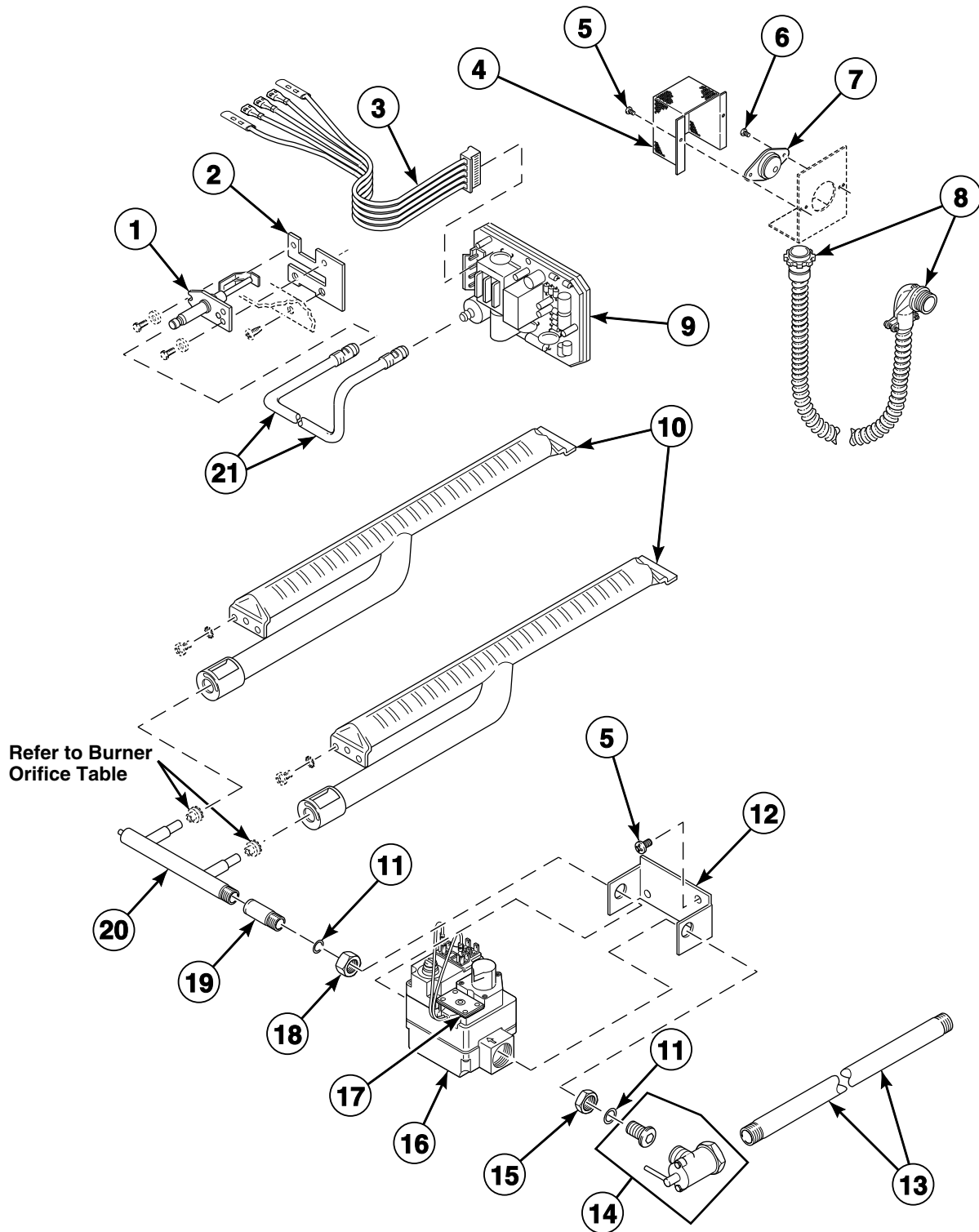
T043P_M414056

Gas Valve Components for Glow-Bar Ignition - White Rodgers Control

REF	PART NO.	DESCRIPTION	COMMENTS
	M405434P	L.P. Valve Conversion Kit	Required if main coil will be used with Liquid Petroleum Gas (L.P.)
1	M405430	Main Coil	
2	N/A	Jumper Wire	Purple
3	M404868	Jumper Wire	Blue

N/A = Part no longer available

Burner Assembly for Instant Electronic Ignition



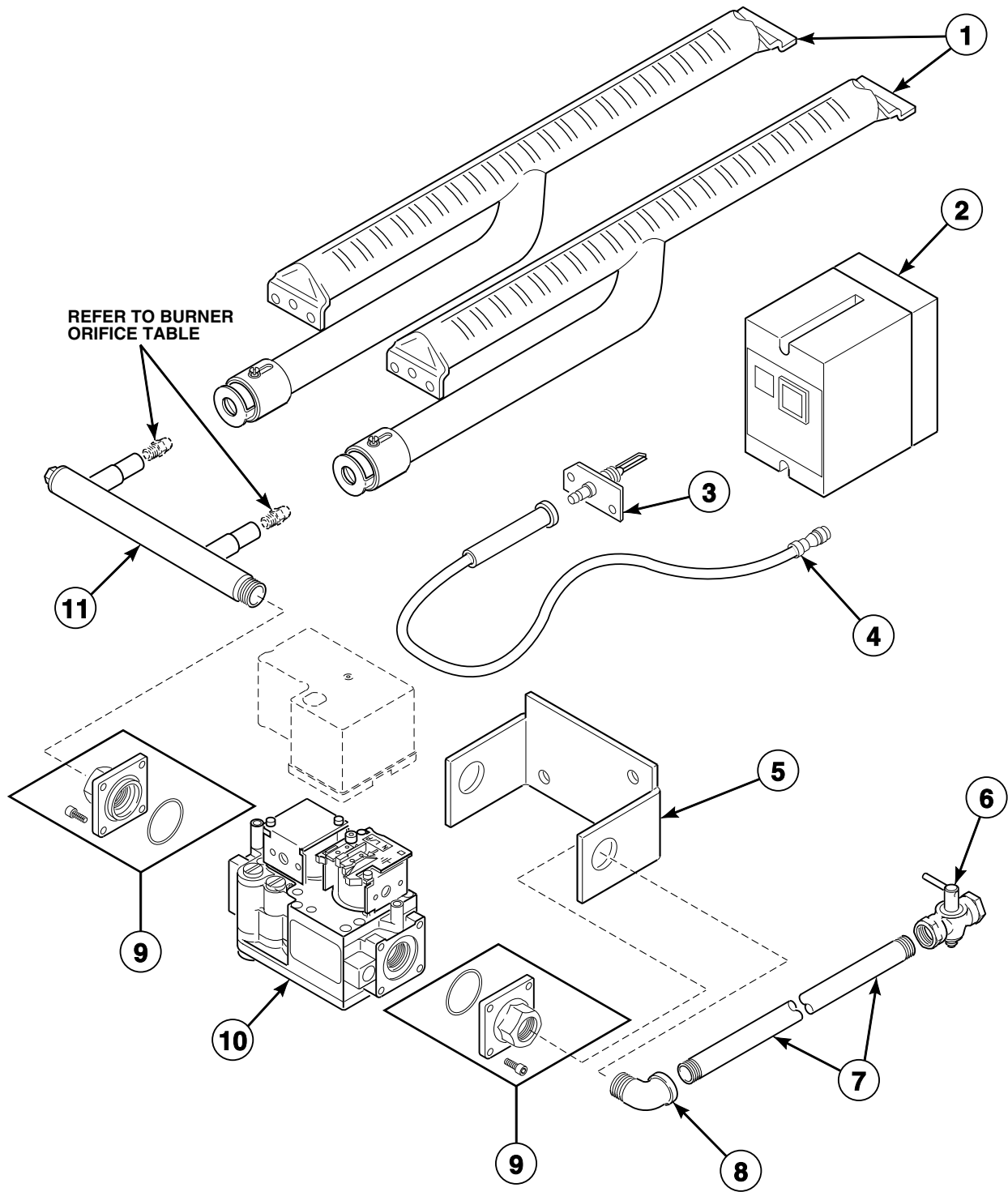
T049P_M414056

Burner Assembly for Instant Electronic Ignition

REF	PART NO.	DESCRIPTION	COMMENTS
	M4377P3	L.P. Conversion Kit	Standard models
	M4378P3	L.P. Conversion Kit	Energy Saver models
1	M406934P	Spark Igniter	
2	M406936	Bracket	
3	M406880	Ignition Wire Harness Assembly	Ignition control
4	M414477	Thermostat Cover	
5	M400664	Screw	
6	M402797	Screw	
7	M401404	Limit Thermostat	Energy Saver models
	M409433	Limit Thermostat	Standard models
8	M403824	Wire Harness Assembly	
9	M406789P	Ignition Control	
10	M405919	Burner Assembly	Models through Serial No. TTCK0724702ZF
	M410541P	Burner Assembly	Models starting Serial No. TTCK0724702ZF
11	M400605	Anti-Torque Ring	
12	M405945	Gas Valve Bracket	Models through Serial No. TTCK0724702ZF
	M406814	Gas Valve Bracket	Models starting Serial No. TTCK0724702ZF
13	M400749	Pipe	
14	M4983P3	Shut-Off Valve Kit	
15	M401549	Nut	
16	M409153P	Gas Valve Assembly	Liquid Petroleum Gas (L.P.); 60 Hertz
	M409152P	Gas Valve Assembly	Natural Gas (N.G.); 60 Hertz
	M409561P	Gas Valve Assembly	L.P.; 50 Hertz
17	M411134	Gas Valve Main Coil	
18	M401548	Nut	
19	M406681	Manifold Pipe Assembly	
20	N/A	Manifold	Models through Serial No. TTCK0724702ZF
	M410546	Spud Holder Assembly	Models starting Serial No. TTCK0724702ZF
21	M406788	High Voltage Lead	

N/A = Part no longer available

Gas Valve Assembly for Dungs/B-M System



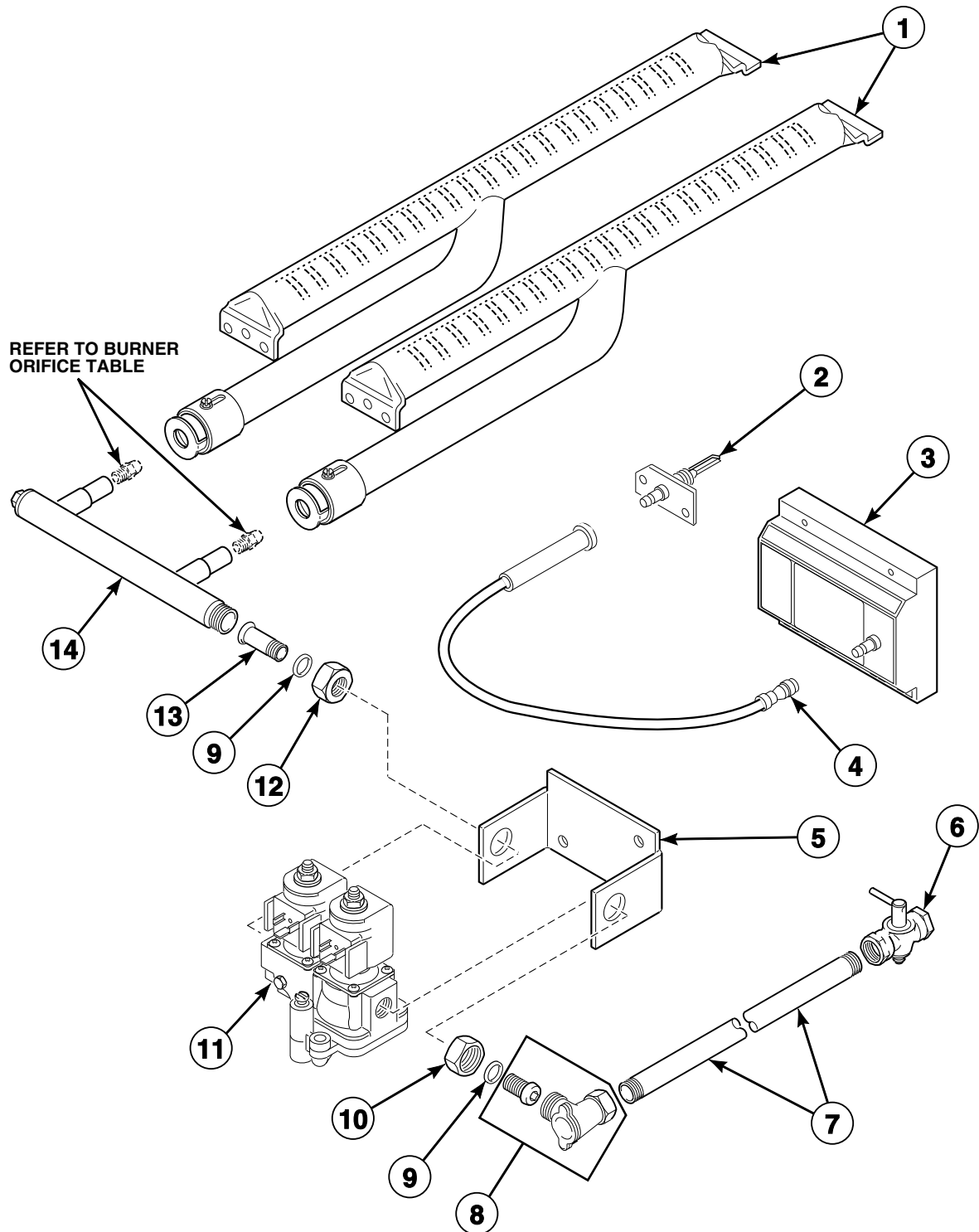
T419P_M414056

Gas Valve Assembly for Dungs/B-M System

REF	PART NO.	DESCRIPTION	COMMENTS
	M405943	Limit Thermostat	Energy Saver models
	M409443	Limit Thermostat	Standard models
1	M410541P	Burner Assembly	
2	M4898P3	Ignition Control	
3	M406934P	Spark Igniter	
4	604P3	Channel Ignition Kit	
5	N/A	Gas Valve Bracket	
6	M412562P	Gas Shut-Off Valve	
7	M400749	Pipe	
8	H86070034	Street Elbow	
9	M412568	Gas Valve Flange Assembly	
10	N/A	Gas Valve	
11	N/A	Spud Holder	

N/A = Part no longer available

Channel/Johnson Gas System



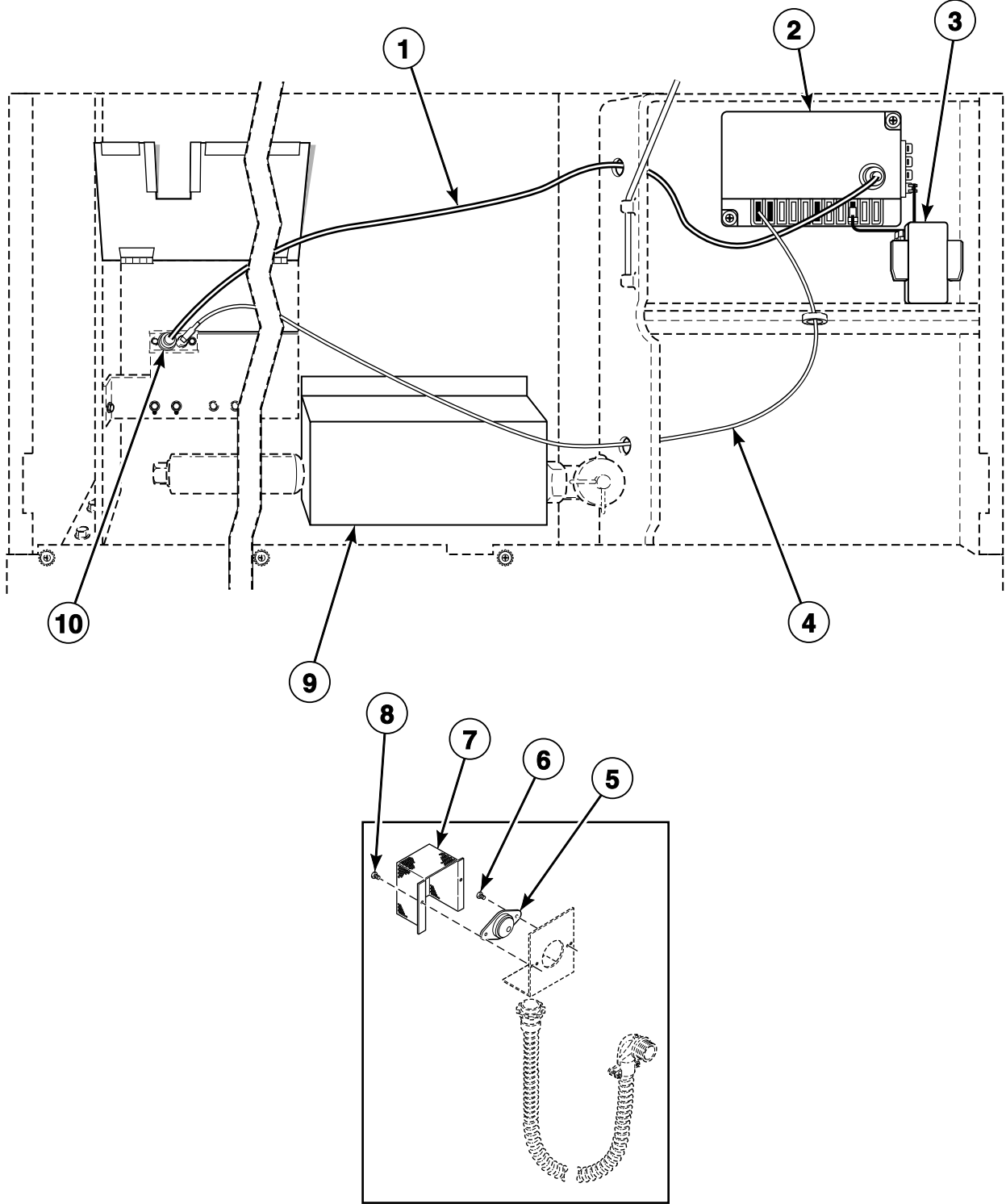
T420P_M414056

Channel/Johnson Gas System

REF	PART NO.	DESCRIPTION	COMMENTS
	M410220	Limit Thermostat	Manual reset
	M405943	Limit Thermostat	Energy Saver models
	M409443	Limit Thermostat	Standard models
1	M410541P	Burner Assembly	
2	M406934P	Spark Igniter	
3	70483201	Ignition Control	
4	M406881	High Voltage Lead	
5	M406814	Gas Valve Bracket	
6	M412562P	Gas Shut-Off Valve	
7	M400749	Pipe	
8	M4983P3	Shut-Off Valve Kit	
9	M400605	Anti-Torque Ring	
10	M401549	Nut	
11	M413332P	Gas Valve	
12	M401548	Nut	
13	N/A	Manifold Pipe Assembly	
14	M410546	Spud Holder Assembly	

N/A = Part no longer available

Burner Assembly for Australian Models



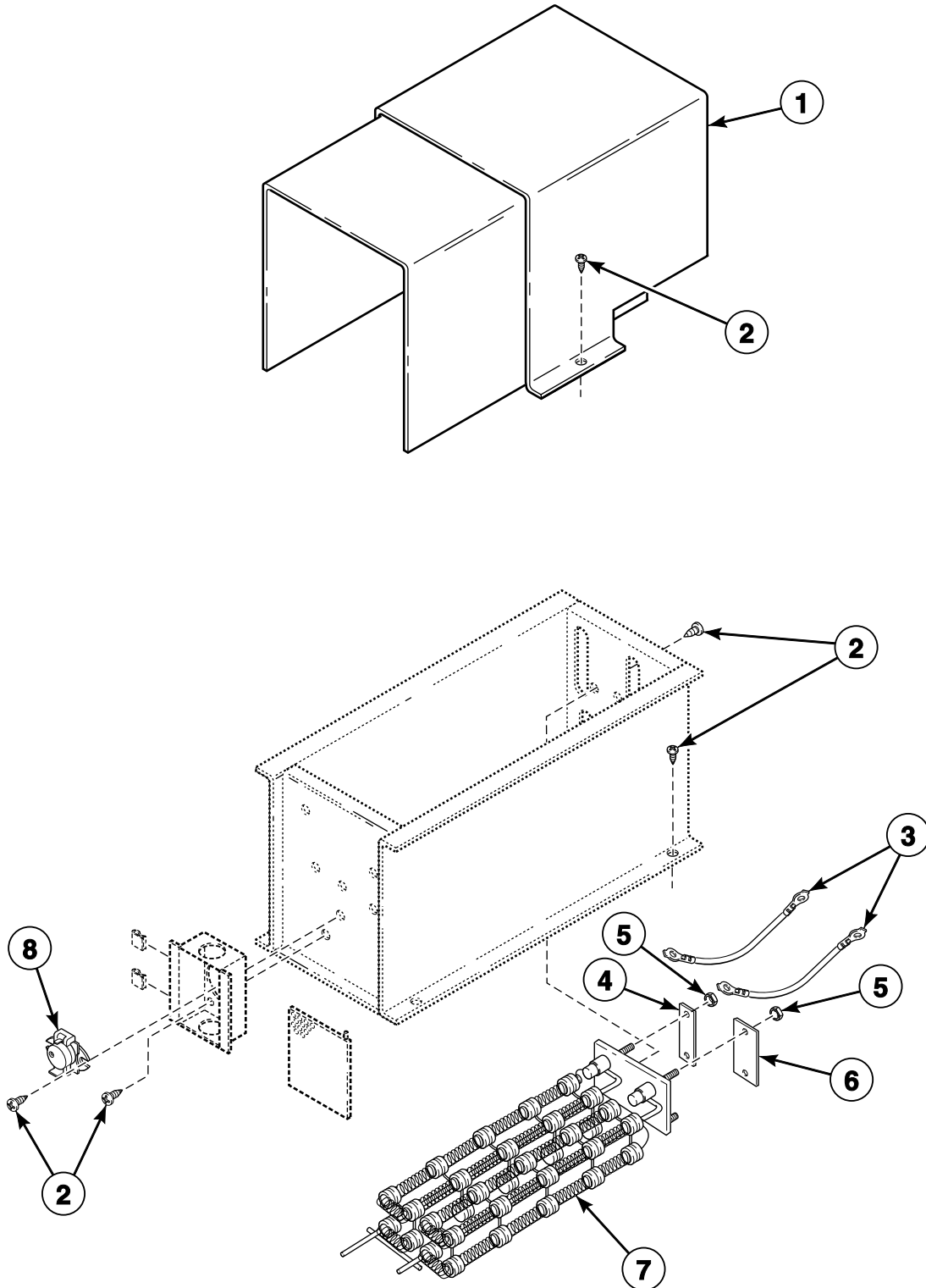
T517PE3B_M414056

Burner Assembly for Australian Models

REF	PART NO.	DESCRIPTION	COMMENTS
1	N/A	High Voltage Lead	
2	M410904P	Instant Electronic Ignition Control	
3	N/A	Transformer	
4	N/A	Sensor Jumper Wire	
5	N/A	Manual Reset Thermostat	
6	M402797	Screw	
7	M414477	Thermostat Cover	
8	M400664	Screw	
9	M410907P	Gas Valve	Natural Gas (N.G.)
	M410908	Gas Valve	Liquid Petroleum Gas (L.P.)
10	M410905P	Spark Igniter	

N/A = Part no longer available

Electric Heater Assembly

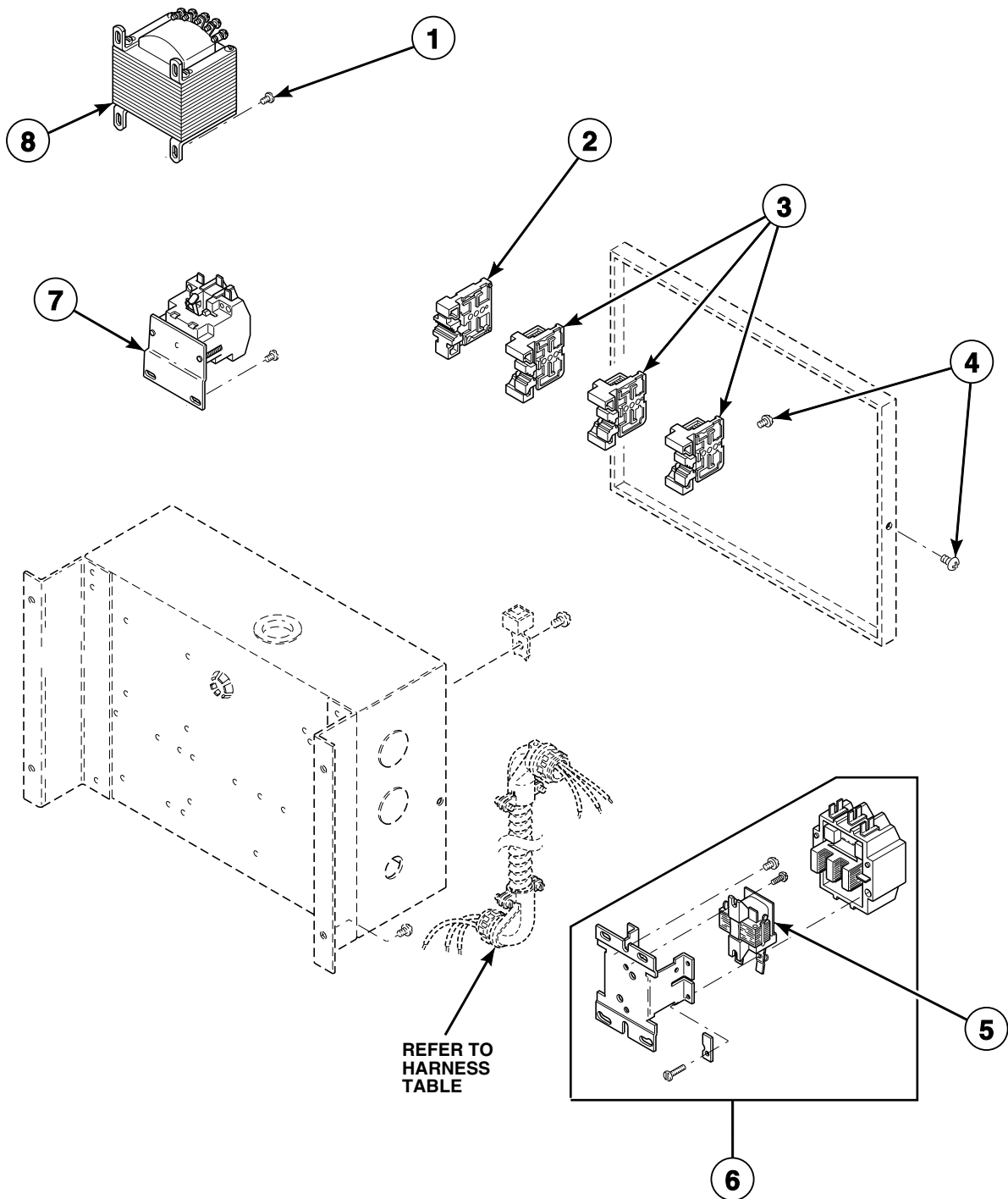


T044P_M414056

Electric Heater Assembly

REF	PART NO.	DESCRIPTION	COMMENTS
1	M401159	Hood Assembly	
2	M400664	Screw	
3	M401281	Jumper Wire Assembly	28 inches; 8 gauge; Black; 6 required for 208-240 Volt/50 or 60 Hertz/1 or 3 Phase; 3 required for 480 Volt/50 or 60 Hertz/3 Phase
	M403743	Jumper Wire Assembly	8 inches; 8 gauge; Black; 1 required for 480 Volt/50 or 60 Hertz/3 Phase
4	M400866	Jumper Bar	2 required for 21 kW; 480 Volt/60 Hertz/3 Phase
5	70054	Nut	
6	M400869	Jumper Strip	6 required for 21 kW; 208-240 Volt/60 Hertz/1 or 3 Phase; 3 required for 21 kW; 480 Volt/60 Hertz/3 Phase
7	M405230P	Heater Element	3 required for 7 kW; 208 Volt/60 Hertz/1 or 3 Phase
	M405253P	Heater Element	3 required for 7 kW; 240 Volt/50 or 60 Hertz/1 or 3 Phase; 3 required for 7 kW; 480 Volt/50 or 60 Hertz/3 Phase
	M405252P	Heater Element	7 kW; 220 Volt; For 380 Volt tumblers
8	M4347P3	Thermostat Kit	Flat face
	M405943	Limit Thermostat	Raised face

Electrical Contactor Box Assembly - Models Through Serial No. 9408xxxxx



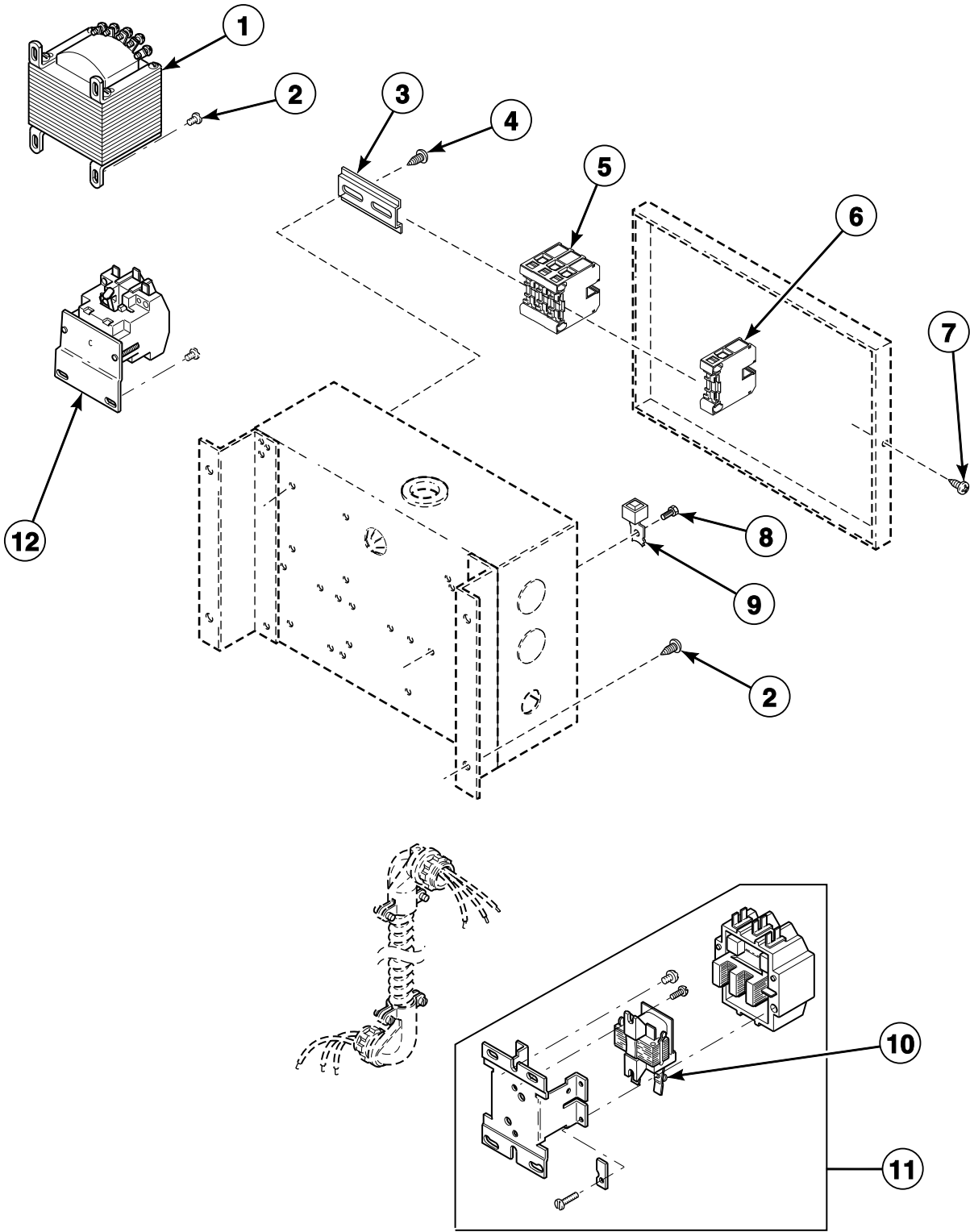
T303PZ3C_M414056

Electrical Contactor Box Assembly - Models Through Serial No. 9408xxxxx

REF	PART NO.	DESCRIPTION	COMMENTS
	M412116	Jumper Wire Assembly	8 inches; 10 gauge; Black; Contactor to terminal block; 6 required for 208-240 Volt/1 or 3 Phase; 3 required for 380, 415 or 480 Volt/3 Phase
	M412117	Jumper Wire Assembly	10 inches; 10 gauge
1	51780	Screw	
2	M400681	Terminal Block End	208-240 Volt/1 or 3 Phase
	N/A	Terminal Block End	480 Volt/3 Phase
3	M400685	Terminal Block	2 required for 208-240 Volt/1 Phase; 3 required for 208-240 Volt/3 Phase
4	M400664	Screw	
5	N/A	Coil	208-240 Volt; 120 Volt not available, order M405116P Contactor
6	M405116P	Contactor	Heater; 120 Volt control circuit
	M400904P	Contactor	Heater; 2 required; 208-240 Volt control circuit
7	M400910P	Contactor	Motor; 480-240 Volt control circuit
	M400913P	Contactor	Motor; 480-120 Volt control circuit
8	M401391P	Transformer	480 Volt

N/A = Part no longer available

Electrical Contactor Box Assembly - Models Starting Serial No. 9408xxxxx



T364P_M414056

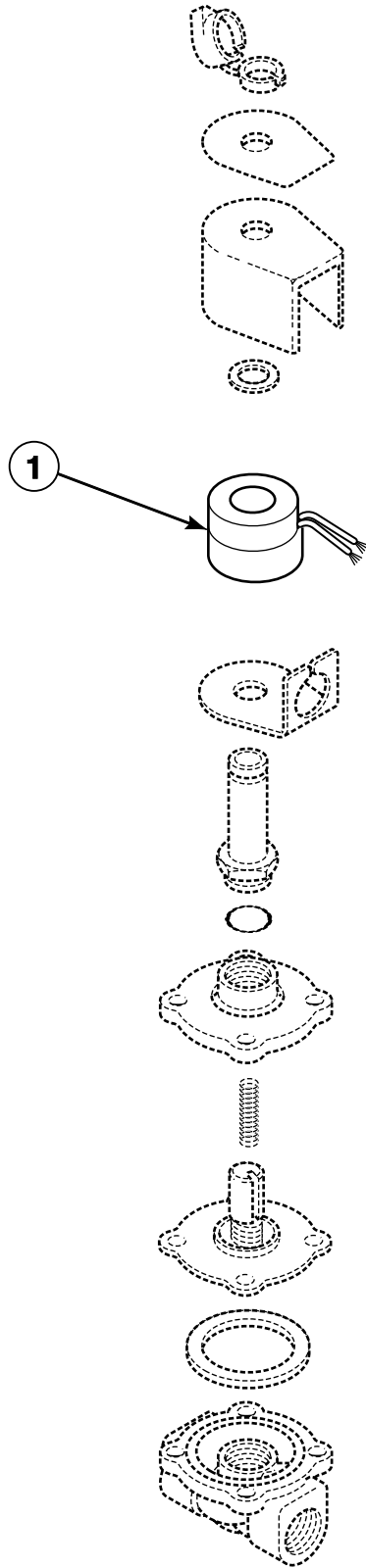
Electrical Contactor Box Assembly - Models Starting Serial No. 9408xxxxx

REF	PART NO.	DESCRIPTION	COMMENTS
	M412116	Jumper Wire Assembly	Contactors to terminal block; 6 required for 208-240 Volt/1 or 3 Phase; 3 required for 380, 415 or 480 Volt/3 Phase
1	M401391P	Transformer	480 Volt
2	51780	Screw	
3	N/A	Din Rail	
4	430497	Screw	2 required
5	M412045P	Terminal Block	
6	M412042	Terminal Block	380-415 Volt/50 Hertz/3 Phase
7	M400664	Screw	
8	M402917	Screw	Ground
9	M411283	Ground Lug Connector	
10	N/A	Coil	208-240 Volt; 120 Volt not available, order M405116P Contactor
11	M405116P	Contactors	Heater; 120 Volt control circuit
	M400904P	Contactors	Heater; 208-240 Volt control circuit
12	M400910P	Contactors	Motor; 480-240 Volt control circuit
	M400913P	Contactors	Motor; 480-120 Volt control circuit

N/A = Part no longer available

Solenoid Steam Valve (Asco)

Models Through June 1995



T047P_M414056

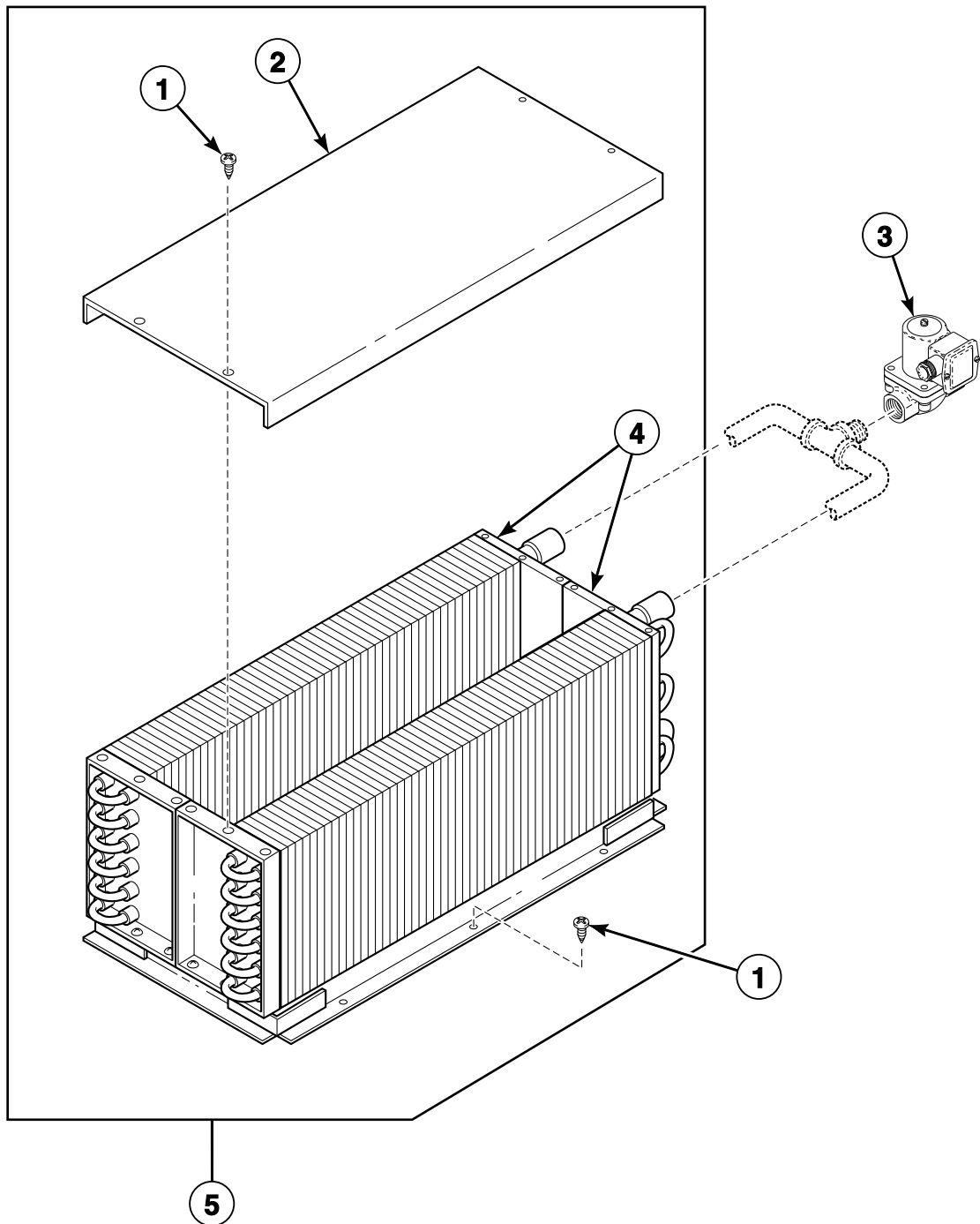
Solenoid Steam Valve (Asco)

REF	PART NO.	DESCRIPTION	COMMENTS
	M410699	Valve Repair Kit	High pressure no. 304669; Includes retaining cap, bonnet gasket, core spring, diaphragm core sub-assembly and body gasket
	M400152	Valve Repair Kit	High pressure no. 101792; Includes retaining cap, bonnet gasket, core spring, diaphragm core sub-assembly and body gasket
	M401384	Valve Repair Kit	Low pressure no. 158959; Includes retaining cap, bonnet gasket, core spring, diaphragm core sub-assembly and body gasket
	F8322903	Steam Valve	24 Volt/50 Hertz; DC, JC and SC models
	F8521701	DIN Valve Kit	24 Volt/60 Hertz
	M413295P	Steam Valve	120 Volt/60 Hertz
	F951P3	Steam Valve Kit	208-240 Volt/60 Hertz
	M413298P	Steam Valve	208-240 Volt/50 Hertz
1	N/A	Coil	120 Volt; 80-100 psig
	N/A	Coil	208-240 Volt; 80-100 psig
	M401383	Steam Valve Coil	208-240 Volt; 10-15 psig
	M412258	Steam Valve Coil	24 Volt/50 Hertz; DC, JC and SC models

N/A = Part no longer available

Steam Heater and Valve Assembly (Danfoss)

Models Starting July 1995



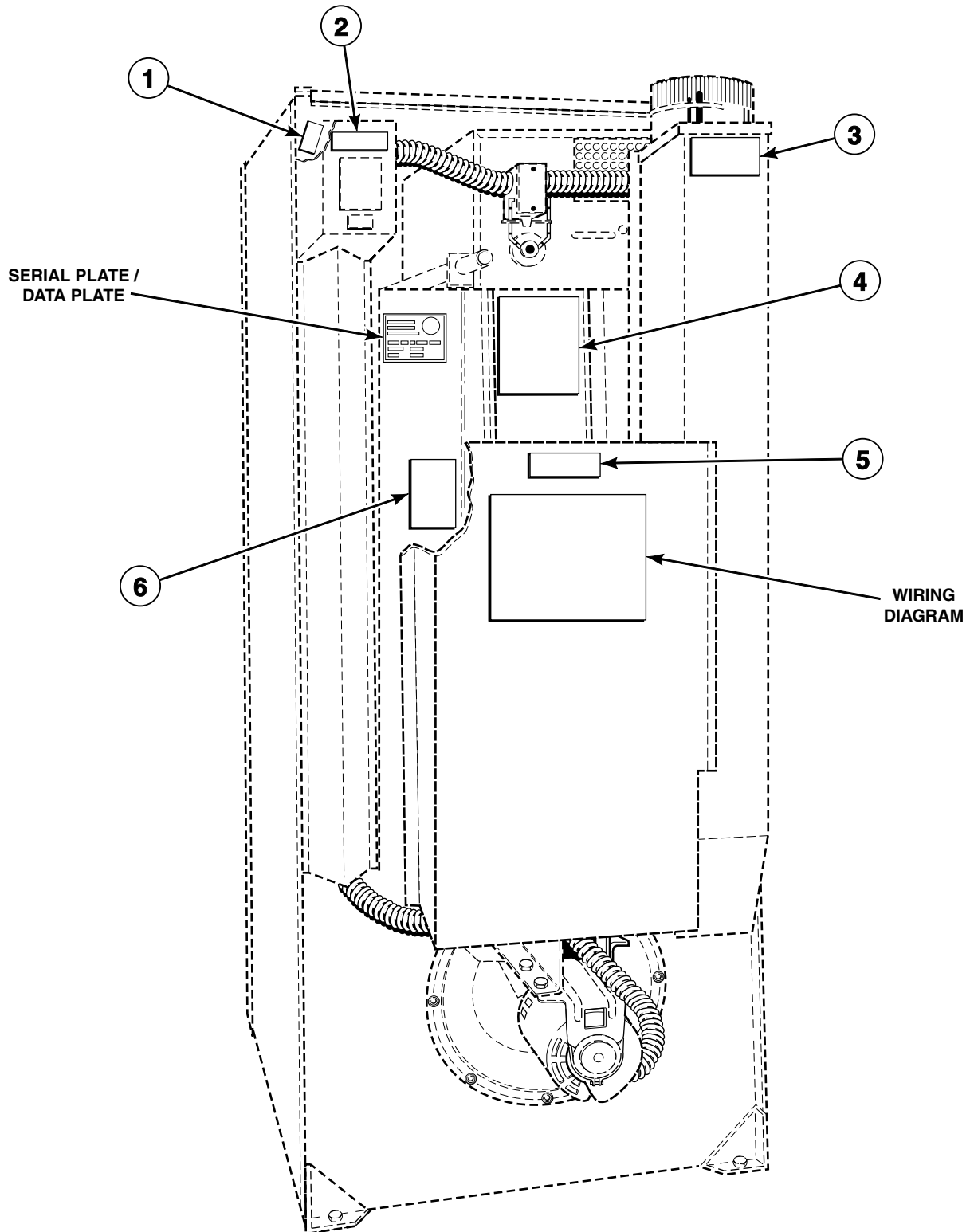
T046PZ3E_M414056

Steam Heater and Valve Assembly (Danfoss)

REF	PART NO.	DESCRIPTION	COMMENTS
	70370301P	Solenoid Valve DIN Connector	
	M412258	Steam Valve Coil	For 70351002P Steam Valve
	M413301	Steam Valve Coil	For M413297P Steam Valve
	M413302	Steam Valve Coil	For M413298P Steam Valve
	70205701P	Steam Valve Coil	For 70351001P Steam Valve
	M412259	Steam Valve Rebuild Kit	
1	M400664	Screw	
2	M400828	Low Pressure Steam Cover	
3	F8322903	Steam Valve	24 Volt/50 Hertz; DC, JC and SC models
	F8521701	DIN Valve Kit	24 Volt/60 Hertz
	M413295P	Steam Valve	120 Volt/60 Hertz
	F951P3	Steam Valve Kit	208-240 Volt/60 Hertz
	M413298P	Steam Valve	208-240 Volt/50 Hertz
4	M400636P	Steam Coil	2 required
5	N/A	Steam Heater Assembly	

N/A = Part no longer available

Warning Labels - Rear of Tumbler



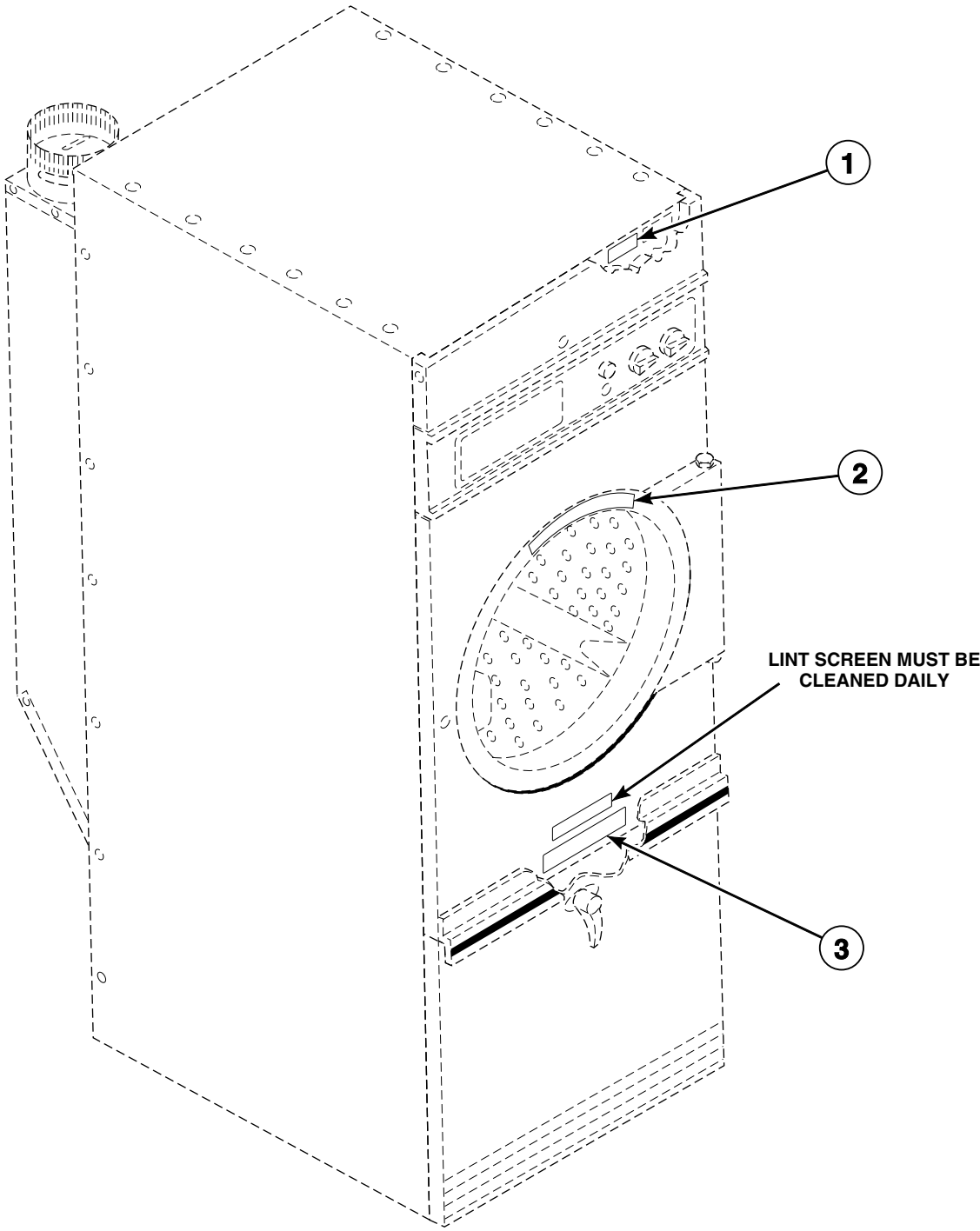
T232P_M414056

Warning Labels - Rear of Tumbler

REF	PART NO.	DESCRIPTION	COMMENTS
1	M403047	Secure Ground Label	Secure ground wire to ground screw
2	500316	Warning Label	Disconnect power
3	M411815	Vent and Thimble Caution Label	Exhaust vent
4	N/A	Installation Warning Label	Diagram: Clearance to combustibles
5	M410083	Chain Guard Warning Sticker	To operate machine safely chain guard must be in place
6	M410082	Chain Guard Warning Sticker	You are exposed to moving parts. Do not operate without guards in place.

N/A = Part no longer available

Warning Labels - Front of Tumbler



T230P_M414056

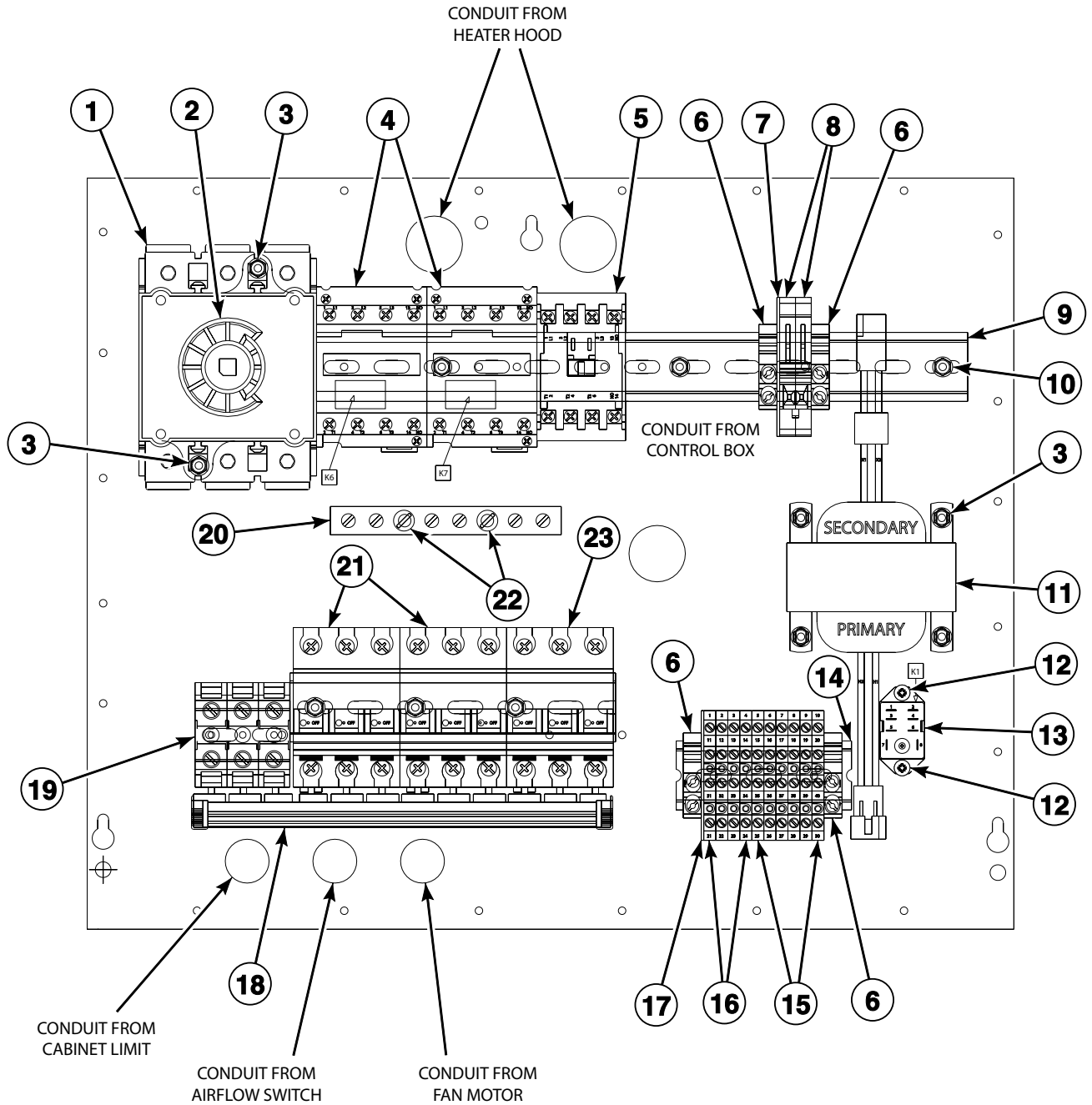
Warning Labels - Front of Tumbler

REF	PART NO.	DESCRIPTION	COMMENTS
1	500316	Warning Label	Disconnect power
2	N/A	Warning Label	Electric and steam models; Control panel
	M410892	Warning Label	Gas models; Control panel
3	N/A	Lint Panel Warning Label	Lint screen

N/A = Part no longer available

Contactor Box Assembly for Electric Manual Timer and Coin Drop Models (Drawing 1 of 3)

230 Volt/50 Hertz/3 Phase



T385P_M414056

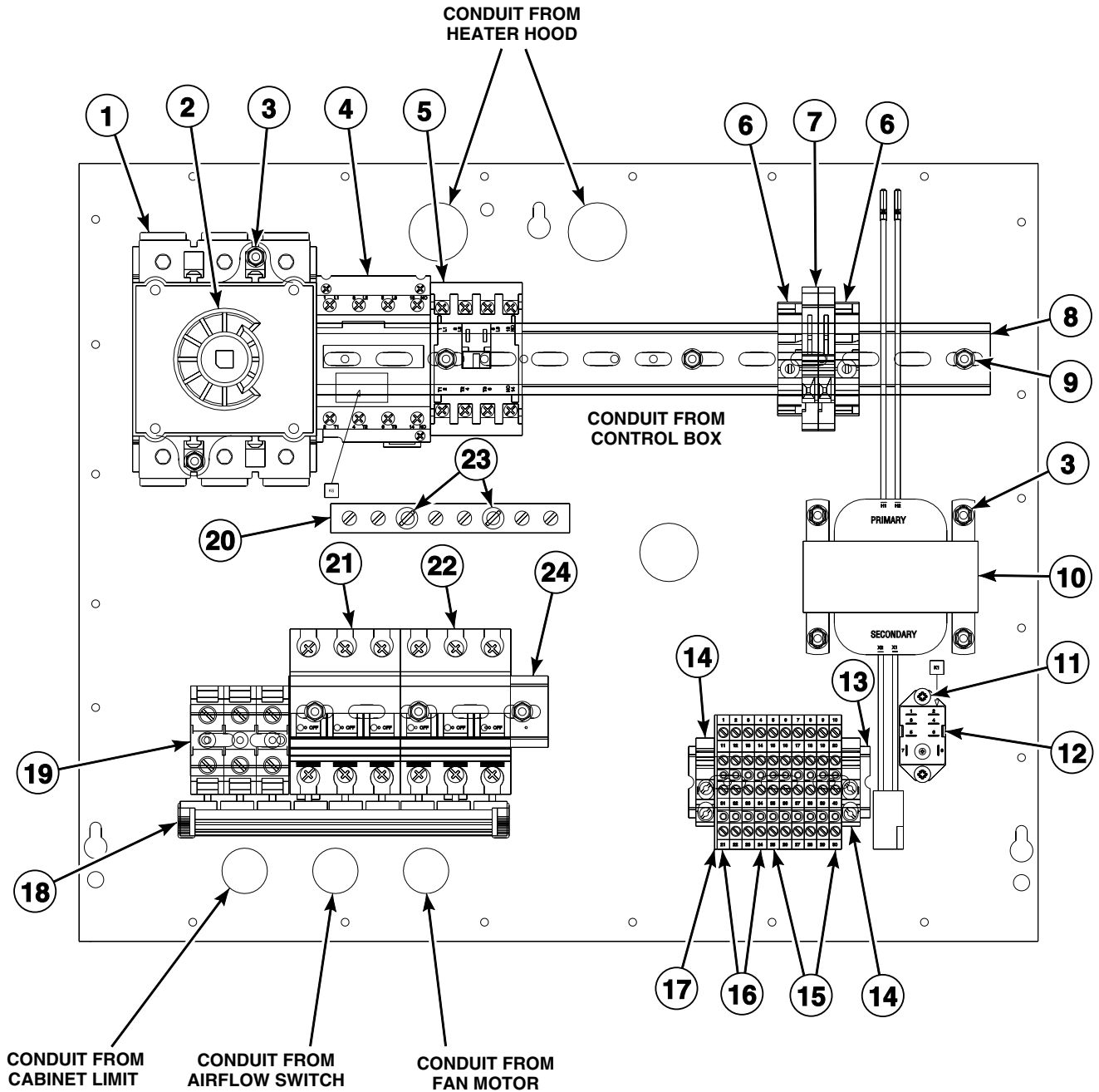
Contactor Box Assembly for Electric Manual Timer and Coin Drop Models (Drawing 1 of 3)

REF	PART NO.	DESCRIPTION	COMMENTS
	M412776P	Relay Harness Assembly	Manual timer models
	M412777	Relay Harness Assembly	Coin drop models
	M412641	Transformer Harness Assembly	Secondary
	M412642	Transformer Harness Assembly	Primary
	M412871	Jumper Harness Assembly	240 Volt/3 Phase
	M412367	Finger Guard	100 Amp
	502593	Fuse	250 Volt; .4 Amp
	M412694	Din Rail	48.3 mm
1	M412186	Mounting Switch Base	100 Amp; Includes 2 terminal blocks
2	M412371P	Extension Handle	Includes 2 screws
3	33562	Screw	
4	70343301P	Contactor	Electric; 50 Amp
5	70323701P	Contactor	Motor; 9 Amp
6	70121001	End Stop	230 Volt
7	M412540	End Section	230 Volt
8	M412537	Terminal Block	230 Volt primary
9	N/A	Din Rail	350.2 mm
10	51780	Screw	
11	M412477P	Transformer	240 Volt
12	501086	Screw	Manual timer models
13	M412534	Relay	24 Volt/50 or 60 Hertz/1 Phase; Manual timer models
14	M412692	Din Rail	88.9 mm
15	M412631	Terminal Block	2 circuit
16	M412632	Terminal Block	1 circuit
17	M412633	End Barrier	
18	M412757	Buss Bar Assembly	12 position
19	M412045P	Terminal Block	3 pole
20	M412656	Ground Buss Assembly	
21	M412406	Circuit Breaker	3 pole; 40 Amp
22	M412688	Nut	
23	M412407P	Circuit Breaker	3 pole; 8 Amp

N/A = Part no longer available

Contactor Box Assembly for Electric Manual Timer and Coin Drop Models (Drawing 2 of 3)

400 Volt/50 Hertz/3 Phase



T391P_M414056

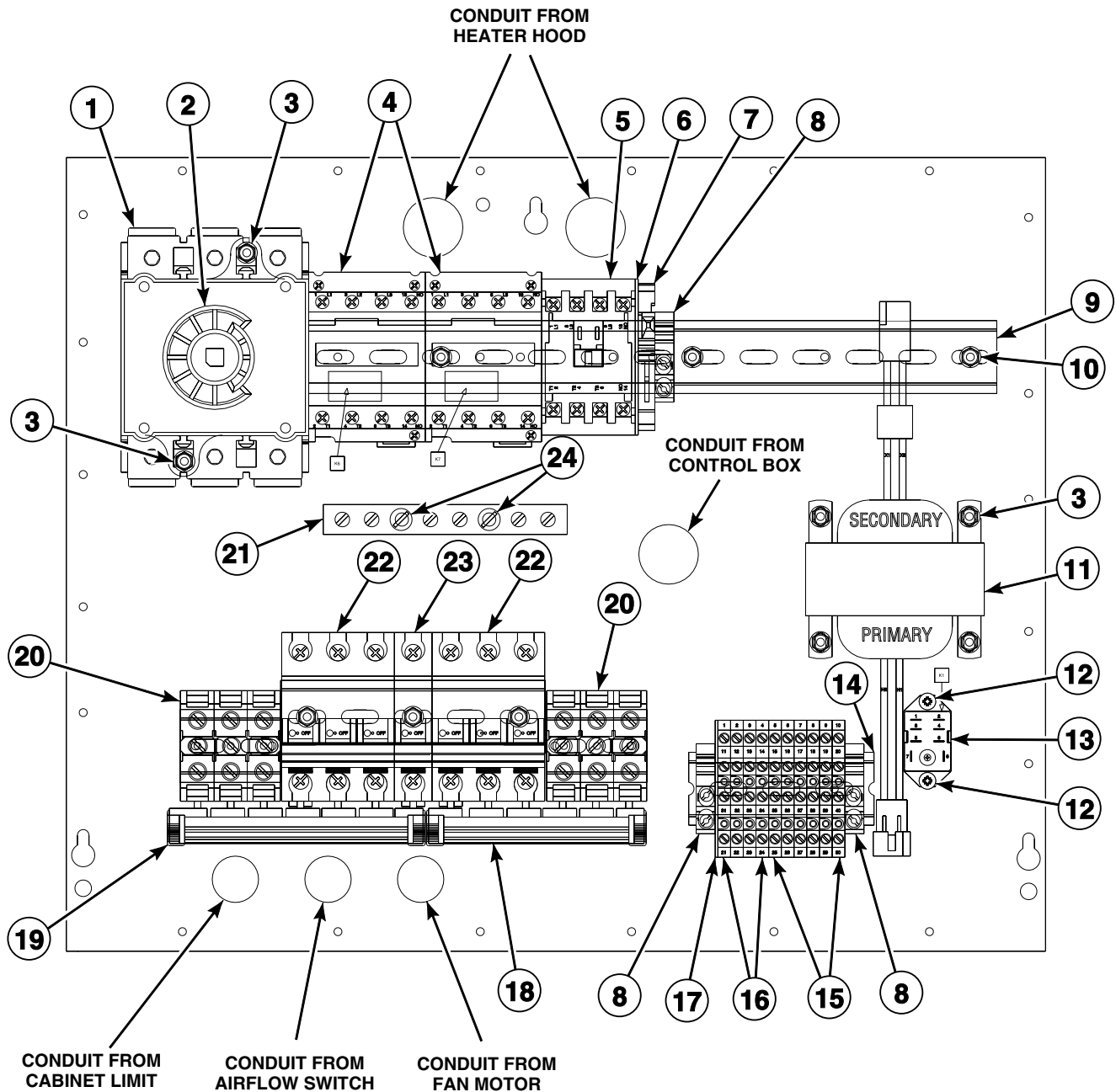
Contactor Box Assembly for Electric Manual Timer and Coin Drop Models (Drawing 2 of 3)

REF	PART NO.	DESCRIPTION	COMMENTS
	M412766	Relay Harness Assembly	Manual timer models
	M412641	Transformer Harness Assembly	Secondary
	M412367	Finger Guard	100 Amp
	M412996	Fuse	
	M412694	Din Rail	48.3 mm; For item 19
1	M412186	Mounting Switch Base	100 Amp; Includes 2 terminal blocks
2	M412371P	Extension Handle	Includes 2 screws
3	33562	Screw	
4	70343301P	Contactor	Electric; 50 Amp
5	70323701P	Contactor	Motor; 9 Amp
6	M412615	End Stop	400 Volt
7	M412538	Terminal Block	400 Volt primary
8	N/A	Din Rail	330.2 mm
9	51780	Screw	
10	M412412P	Transformer	400 Volt
11	M412534	Relay	24 Volt/50 or 60 Hertz/1 Phase; Manual timer models
12	501086	Screw	Manual timer models
13	M412692	Din Rail	88.9 mm
14	70121001	End Stop	230 Volt
15	M412631	Terminal Block	2 circuit
16	M412632	Terminal Block	1 circuit
17	M412633	End Barrier	
18	N/A	Buss Bar Assembly	9 position
19	M412045P	Terminal Block	3 pole
20	M412656	Ground Buss Assembly	
21	M412406	Circuit Breaker	3 pole; 40 Amp; DC, JC and SC models
22	M412407P	Circuit Breaker	3 pole; 8 Amp
23	M412688	Nut	
24	M412693	Din Rail	165.1 mm

N/A = Part no longer available

Contactor Box Assembly for Electric Manual Timer and Coin Drop Models (Drawing 3 of 3)

230 Volt/50 Hertz/1 Phase



T411P_M414056

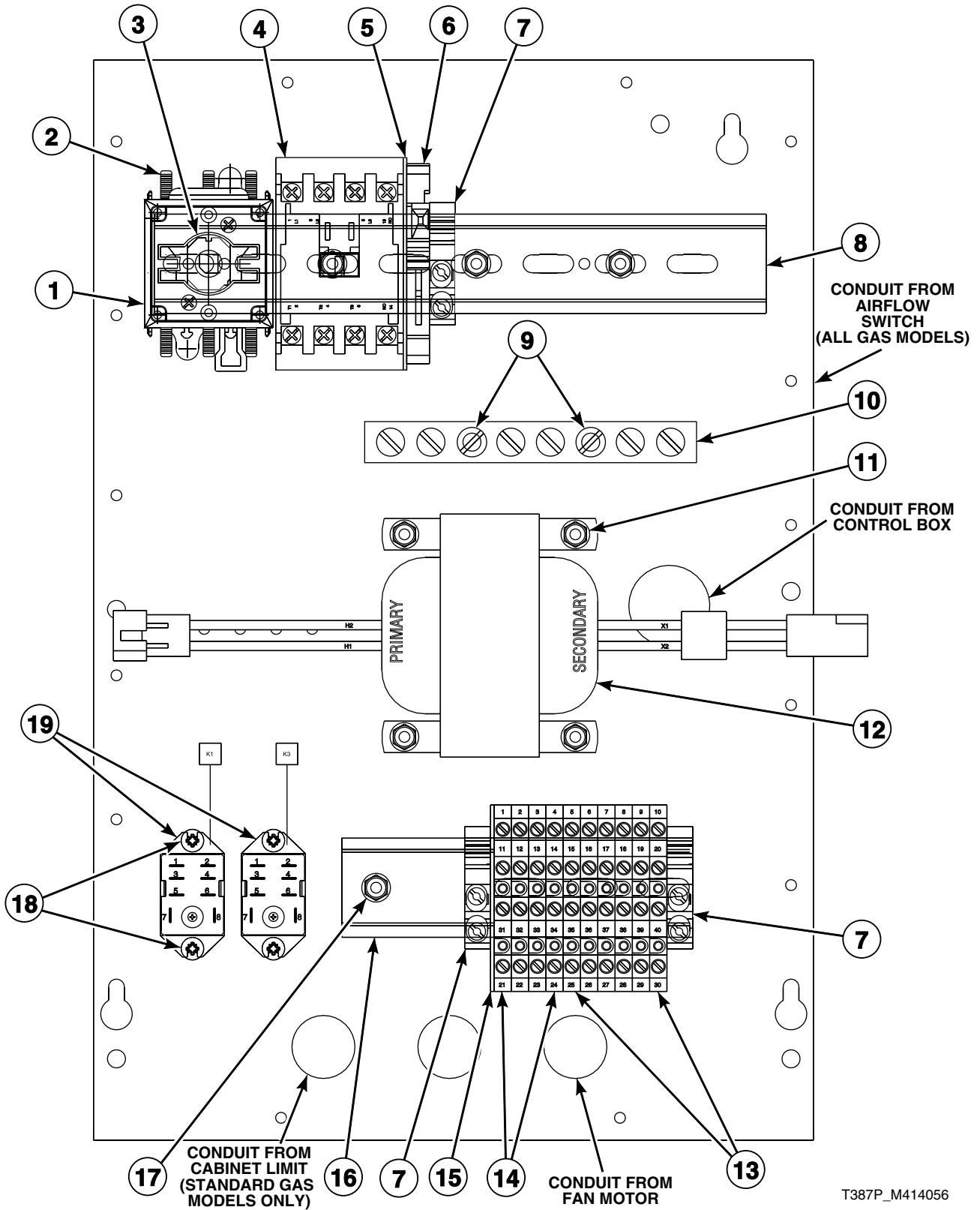
Contactor Box Assembly for Electric Manual Timer and Coin Drop Models (Drawing 3 of 3)

REF	PART NO.	DESCRIPTION	COMMENTS
	M412776P	Relay Harness Assembly	Manual timer models
	M412777	Relay Harness Assembly	Coin drop models
	M412641	Transformer Harness Assembly	Secondary
	M412642	Transformer Harness Assembly	Primary
	M412367	Finger Guard	100 Amp
	502593	Fuse	250 Volt; .4 Amp
	M412694	Din Rail	48.3 mm; For item 20
1	M412186	Mounting Switch Base	100 Amp; Includes 2 terminal blocks
2	M412371P	Extension Handle	Includes 2 screws
3	33562	Screw	
4	70343301P	Contactor	Electric; 50 Amp
5	70323701P	Contactor	Motor; 9 Amp
6	M412540	End Section	230 Volt
7	M412537	Terminal Block	230 Volt primary
8	70121001	End Stop	230 Volt
9	N/A	Din Rail	330.2 mm
10	51780	Screw	
11	M412477P	Transformer	240 Volt
12	501086	Screw	Manual timer models
13	M412534	Relay	24 Volt/50 or 60 Hertz/1 Phase; Manual timer models
14	M412692	Din Rail	88.9 mm
15	M412631	Terminal Block	2 circuit
16	M412632	Terminal Block	1 circuit
17	M412633	End Barrier	
18	N/A	Buss Bar Assembly	6 position
19	N/A	Buss Bar Assembly	7 position
20	M412045P	Terminal Block	3 pole
21	M412656	Ground Buss Assembly	
22	M412406	Circuit Breaker	3 pole; 40 Amp
23	M412401	Circuit Breaker	1 pole; 8 Amp
24	M412688	Nut	

N/A = Part no longer available

Contactor Box Assembly for Gas Manual Timer Models

230 Volt/50 Hertz/1 Phase



T387P_M414056

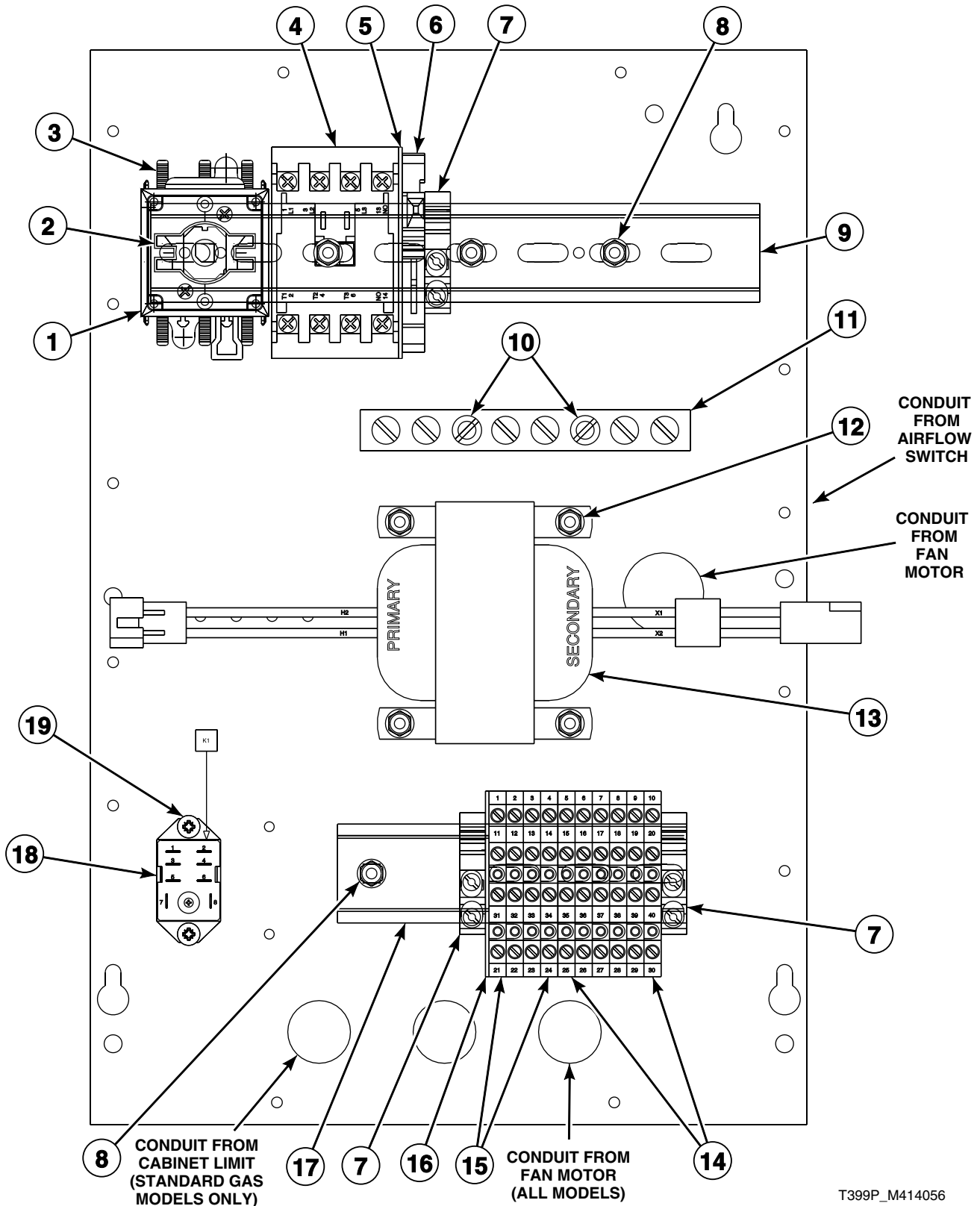
Contactor Box Assembly for Gas Manual Timer Models

REF	PART NO.	DESCRIPTION	COMMENTS
	M412636	Relay Harness Assembly	K1, K2, K3
	M412641	Transformer Harness Assembly	Secondary
	M412642	Transformer Harness Assembly	240 Volt primary
	502593	Fuse	
1	M412187P	Mounting Switch Base	20 Amp; Includes 2 terminal blocks
2	M412366	Finger Guard	20 Amp
3	M412370	Extension Handle	Includes 2 screws
4	70323701P	Contactor	Motor; 9 Amp
5	M412540	End Section	
6	M412537	Terminal Block	230 Volt primary
7	70121001	End Stop	230 Volt
8	N/A	Din Rail	215.9 mm
9	M412688	Nut	
10	M412656	Ground Buss Assembly	
11	33562	Screw	
12	M412477P	Transformer	230 Volt
13	M412631	Terminal Block	2 circuit
14	M412632	Terminal Block	1 circuit
15	M412633	End Barrier	
16	N/A	Din Rail	127 mm
17	51780	Screw	
18	501086	Screw	
19	M412534	Relay	24 Volt/50 or 60 Hertz/1 Phase

N/A = Part no longer available

Contactor Box Assembly for Gas Coin Drop Models

230 Volt/50 Hertz/1 Phase



T399P_M414056

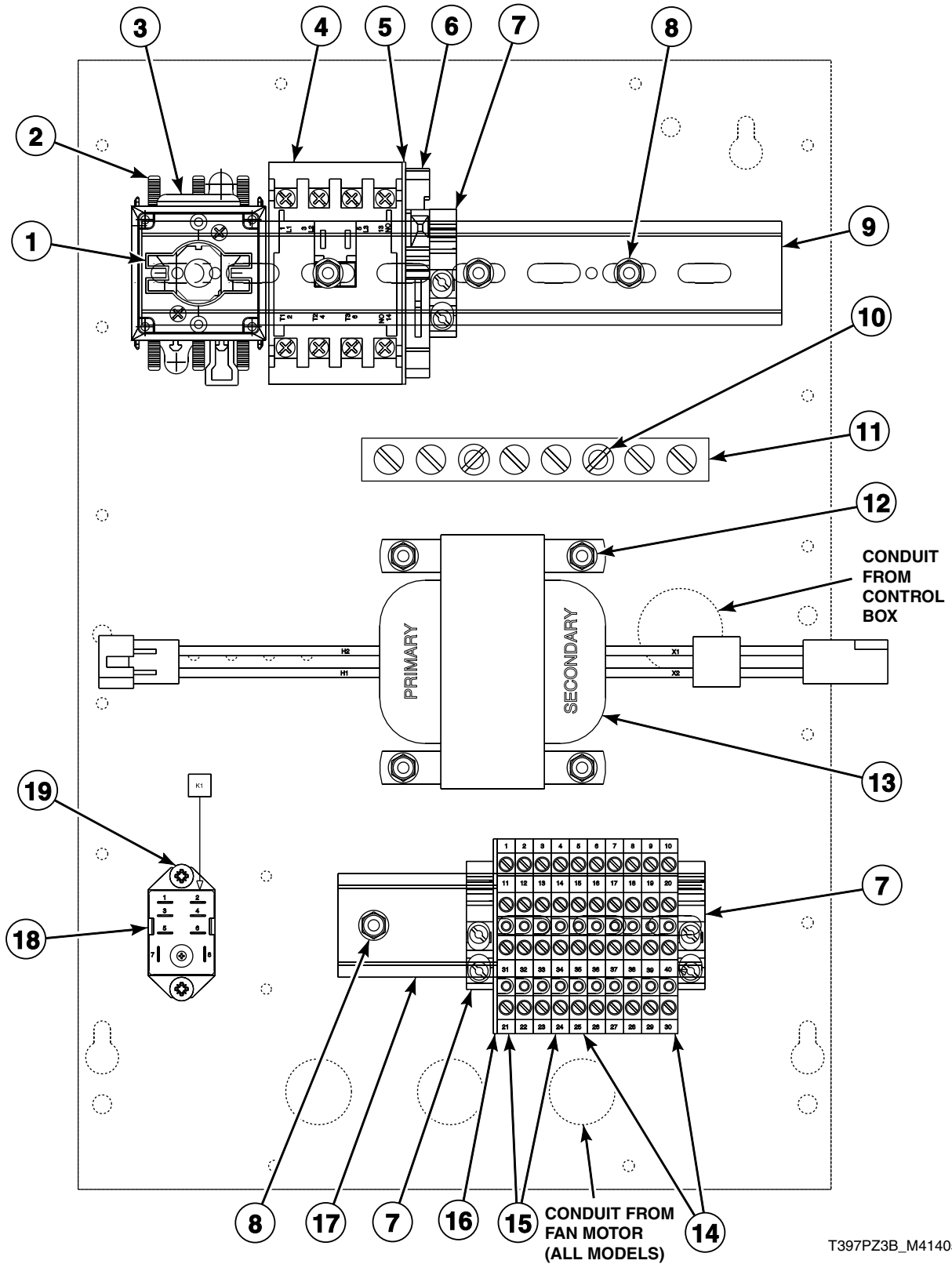
Contactor Box Assembly for Gas Coin Drop Models

REF	PART NO.	DESCRIPTION	COMMENTS
	M412641	Transformer Harness Assembly	Secondary
	M412642	Transformer Harness Assembly	240 Volt primary
	502593	Fuse	
1	M412187P	Mounting Switch Base	20 Amp; Includes 2 terminal blocks
2	M412370	Extension Handle	Includes 2 screws
3	M412366	Finger Guard	20 Amp
4	70323701P	Contactor	Motor; 9 Amp
5	M412540	End Section	
6	M412537	Terminal Block	230 Volt primary
7	70121001	End Stop	230 Volt
8	51780	Screw	
9	N/A	Din Rail	215.9 mm
10	M412688	Nut	
11	M412656	Ground Buss Assembly	
12	33562	Screw	
13	M412477P	Transformer	230 Volt
14	M412631	Terminal Block	2 circuit
15	M412632	Terminal Block	1 circuit
16	M412633	End Barrier	
17	N/A	Din Rail	127 mm
18	M412534	Relay	24 Volt/50 or 60 Hertz/1Phase
19	501086	Screw	

N/A = Part no longer available

Contactor Box Assembly for Steam Manual Timer Models (Drawing 1 of 2)

230 Volt/50 Hertz/1 Phase



T397PZ3B_M414056

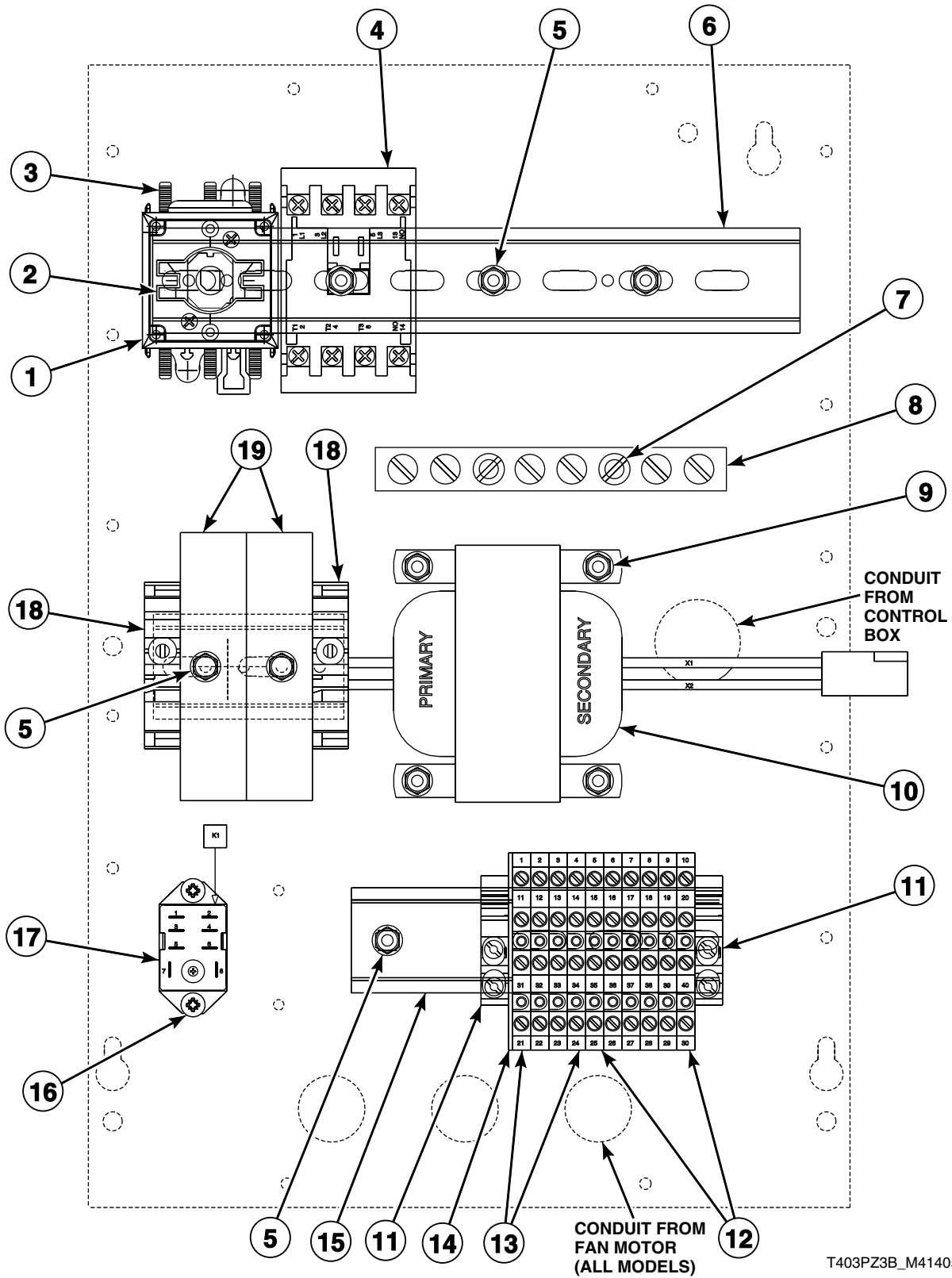
Contactor Box Assembly for Steam Manual Timer Models (Drawing 1 of 2)

REF	PART NO.	DESCRIPTION	COMMENTS
	M412641	Transformer Harness Assembly	Secondary
	M412642	Transformer Harness Assembly	240 Volt
	502593	Fuse	
1	M412370	Extension Handle	Includes 2 screws
2	M412366	Finger Guard	20 Amp
3	M412187P	Mounting Switch Base	20 Amp; Includes 2 terminal blocks
4	70323701P	Contactor	Motor; 9 Amp
5	M412540	End Section	
6	M412537	Terminal Block	230 Volt primary
7	70121001	End Stop	230 Volt
8	51780	Screw	
9	N/A	Din Rail	215.9 mm
10	M412688	Nut	
11	M412656	Ground Buss Assembly	
12	33562	Screw	
13	M412477P	Transformer	230 Volt
14	M412631	Terminal Block	2 circuit
15	M412632	Terminal Block	1 circuit
16	M412633	End Barrier	
17	N/A	Din Rail	127 mm
18	M412534	Relay	24 Volt/50 or 60 Hertz/1 Phase
19	501086	Screw	

N/A = Part no longer available

Contactor Box Assembly for Steam Manual Timer Models (Drawing 2 of 2)

380 or 415 Volt/50 Hertz/3 Phase



T403PZ3B_M414056

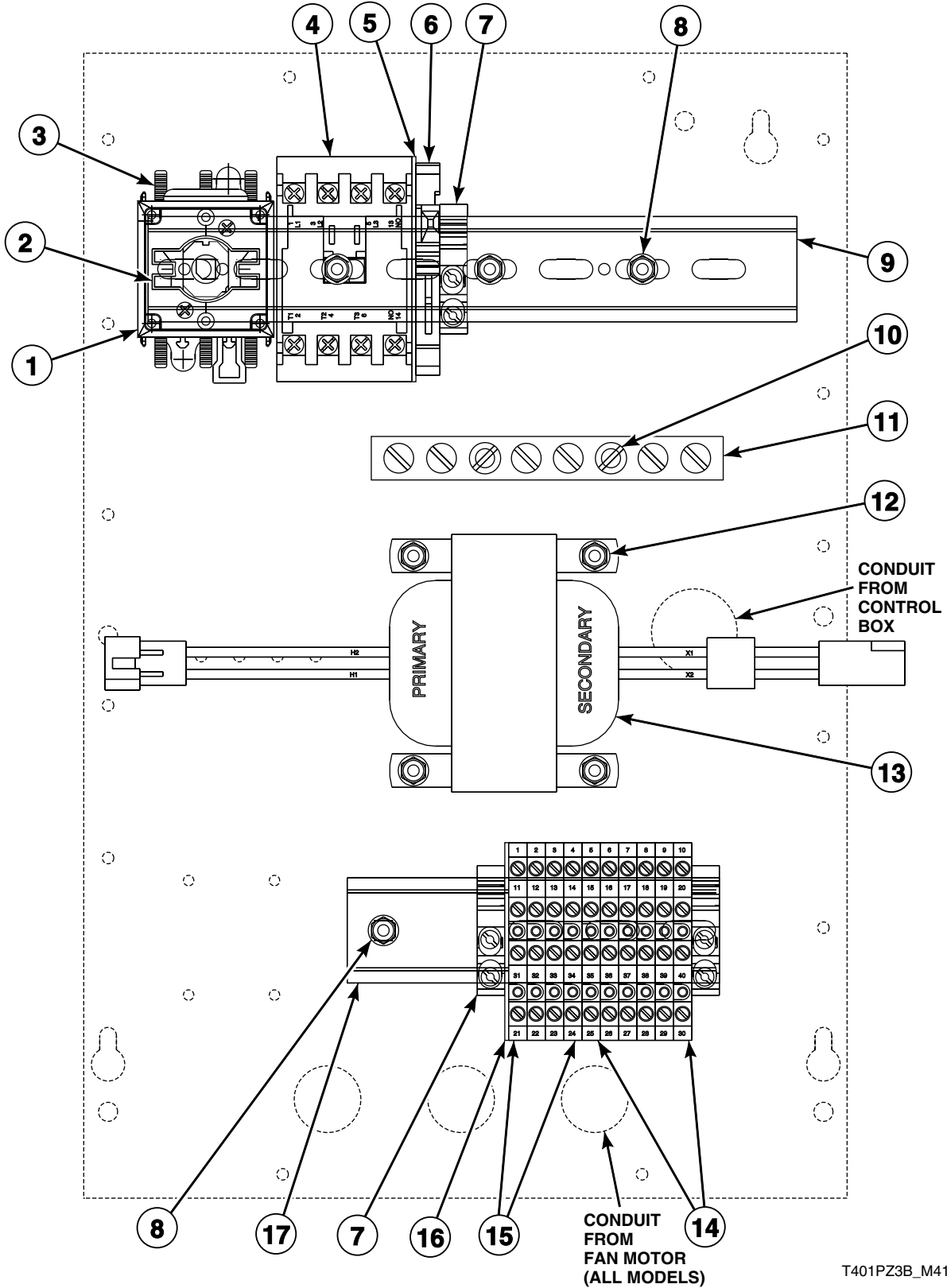
Contactor Box Assembly for Steam Manual Timer Models (Drawing 2 of 2)

REF	PART NO.	DESCRIPTION	COMMENTS
	M412641	Transformer Harness Assembly	Secondary
	M412996	Fuse	
1	M412187P	Mounting Switch Base	20 Amp; Includes 2 terminal blocks
2	M412370	Extension Handle	Includes 2 screws
3	M412366	Finger Guard	20 Amp
4	70323701P	Contactor	Motor; 9 Amp
5	51780	Screw	
6	N/A	Din Rail	215.9 mm
7	M412688	Nut	
8	M412656	Ground Buss Assembly	
9	33562	Screw	
10	M412412P	Transformer	400 Volt
11	70121001	End Stop	230 Volt
12	M412631	Terminal Block	2 circuit
13	M412632	Terminal Block	1 circuit
14	M412633	End Barrier	
15	N/A	Din Rail	127 mm
16	501086	Screw	
17	M412534	Relay	24 Volt/50 or 60 Hertz/1 Phase
18	M412615	End Stop	
19	M412538	Terminal Block	400 Volt primary

N/A = Part no longer available

Contactor Box Assembly for Steam Coin Drop Models

230 Volt/50 Hertz/1 Phase



T401PZ3B_M414056

Contactor Box Assembly for Steam Coin Drop Models

REF	PART NO.	DESCRIPTION	COMMENTS
	M412641	Transformer Harness Assembly	Secondary
	M412642	Transformer Harness Assembly	240 Volt primary
	502593	Fuse	
1	M412187P	Mounting Switch Base	20 Amp; Includes 2 terminal blocks
2	M412370	Extension Handle	Includes 2 screws
3	M412366	Finger Guard	20 Amp
4	70323701P	Contactor	Motor; 9 Amp
5	M412540	End Section	
6	M412537	Terminal Block	230 Volt primary
7	70121001	End Stop	230 Volt
8	51780	Screw	
9	N/A	Din Rail	215.9 mm
10	M412688	Nut	
11	M412656	Ground Buss Assembly	
12	33562	Screw	
13	M412477P	Transformer	230 Volt
14	M412631	Terminal Block	2 circuit
15	M412632	Terminal Block	1 circuit
16	M412633	End Barrier	
17	N/A	Din Rail	127 mm

N/A = Part no longer available

Burner Orifice

Non-CE Models

PART NO.	DESCRIPTION	COMMENTS
M400998	Burner Orifice	Standard models; Natural Gas (N.G.); 0-2,000 feet; Drill no. 27 (3.7 mm)
M401014	Burner Orifice	Standard models; N.G.; 2,001-4,000 feet; Drill no. 28 (3.6 mm)
M400997	Burner Orifice	Standard models; N.G.; 4,001-6,000 feet; Drill no. 29 (3.4 mm)
M401021	Burner Orifice	Standard models; N.G.; 6,001-8,001 feet; Drill no. 30 (3.3 mm)
M401017	Burner Orifice	Standard models; N.G.; 6,001-10,000 feet; Drill no. 31 (3.0 mm); Energy Saver models; N.G.; 0-2,000 feet; Drill no. 31 (3.0 mm)
M401011	Burner Orifice	Standard models; Liquid Petroleum Gas (L.P.); 0-2,000 feet; Drill no. 44 (2.2 mm)
M401027	Burner Orifice	Standard models; L.P.; 2,001-4,000 feet; Drill no. 45 (2.1 mm)
M401003	Burner Orifice	Standard models; L.P.; 4,001-6,000 feet; Drill no. 46 (2.1 mm)
M400999	Burner Orifice	Standard models; L.P.; 6,001-8,000 feet; Drill no. 47 (2.0 mm)
M401001	Burner Orifice	Standard models; L.P.; 8,001-10,000 feet; Drill no. 48 (1.9 mm)
M401022	Burner Orifice	Energy Saver models; N.G.; 4,001-6,000 feet; Drill no. 33 (2.9 mm)
M402487	Burner Orifice	Energy Saver models; N.G.; 6,000-8,000 feet; Drill no. 35 (2.8 mm)
N/A	Burner Orifice	Energy Saver models; N.G.; 8,001-10,000 feet; Drill no. 37 (2.6 mm)
M401016	Burner Orifice	Energy Saver models; L.P.; 0-2,000 feet; Drill no. 50 (1.8 mm)
M401019	Burner Orifice	Energy Saver models; L.P.; 2,001-6,000 feet; Drill no. 51 (1.7 mm)
M401025	Burner Orifice	Energy Saver models; L.P.; 6,001-8,000 feet; Drill no. 52 (1.6 mm)

N/A = Part no longer available

Wire Harnesses and Wires

PART NO.	DESCRIPTION	COMMENTS
607P3	Channel Ignition Kit	DC, JC and SC gas models with Dungs ignition control
M413548	Ignition Control Harness Assembly	DC, JC and SC gas models; Manual timer and coin drop with bulb thermostat-Channel Products ignition control
M413281	Fan Motor Harness Assembly	DC, JC and SC models; 1 Phase
M412997	Harness Assembly	DC, JC and SC gas models; Models with BM gas valve; Single coin connection
M412635	Harness Assembly	DC, JC and SC gas models; With stove mounted airflow switch; To junction box
M412801	Heater Cable Harness Assembly	DC, JC and SC electric models
M412802	Heater Cable Harness Assembly	DC, JC and SC electric models; 230 Volt
M412645	Jumper Wire Assembly	DC, JC and SC gas models; Models with Dungs ignition control; Ground
M413650	Gas Valve Harness Assembly	DC, JC and SC gas models; Models with Johnson gas valve; Dual coin connections
M411828	Motor Harness Assembly	Fan; Energy Saver models; Manual timer; 208-240 Volt/60 Hertz/3 Phase; To junction box
M409487	Motor Harness Assembly	208-240 Volt; Standard models starting Serial No. 684487YA
M409489	Motor Wire Harness Assembly	Fan; Energy Saver models; Coin; 208-240 Volt/60 Hertz/1 Phase; To junction box
M409982	Motor Wire Harness Assembly	Coin; To junction box; Electric models with 415 Volt/50 Hertz/3 Phase; Electric and EG models starting Serial No. 684487YA with 120, 208 or 240 Volt
M411827	Motor Wire Harness Assembly	Fan; Energy Saver gas and electric models; Coin and manual timer; 3 Phase; To junction box
M405351	Motor Wire Harness Assembly	480 Volt; Electric models through Serial No. 684487YA
M412636	Relay Harness Assembly	DC, JC and SC gas models; Manual timer; K1, K2, K3
M412766	Relay Harness Assembly	DC, JC and SC electric models; 380-415 Volt; Manual timer
M412776P	Relay Harness Assembly	DC, JC and SC electric models; 230 Volt; Manual timer
M412777	Relay Harness Assembly	DC, JC and SC electric models; 230 Volt; Mechanical coin drop
M401909	Wire Harness Assembly	Airflow switch; Standard models; Coin and manual timer; To junction box
M403824	Wire Harness Assembly	Airflow switch; Standard models; Coin and manual timer; To stove high limit thermostat
M401284	Wire Harness Assembly	Contact box; Models without a junction box
M405372	Wire Harness Assembly	Control box; Gas models; Manual timer; 50 Hertz; To rear junction box
M405871P	Control Harness	Control box; Gas models; Coin; To rear junction box
M403924P	Control Panel Wire Harness Assembly	Manual timer and coin models
M406880	Ignition Wire Harness Assembly	Ignition control; Gas models

Parts Index

A

Accumulator	
M403422P	27
Actuator Switch	
M412423	51
Airflow Switch	
M400944	51
Airflow Switch Bracket	
M409202	51
Airflow Switch Guard	
M410544	51
Airflow Switch Handy Box	
M403235	51
Airflow Switch Insulator Barrier	
M400712	51
Airflow Switch Vane Assembly	
M400542	51
Airflow Switch Vane Lever	
M400753	51
Anti-Torque Ring	
M400605	55, 59, 65, 69, 73, 77

B

Ball Bearing	
M400592	39
M413921P	39
Belt	
M401182P	41, 43
Belt Drive Conversion Kit	
BDK30	41
Belt Guard	
M413008	47
Belt Guard Assembly	
44132401	53
Blower	
44127401P	47
Bolt	
M400078	41
M400650	39
M401393	47
M412119	45
Bracket	
M406936	73
Bumper	
M400795	53
M410783	37
Bumper Assembly	
M401161	37
Bumper Trim	
M401201	37
Burner Assembly	
M405919	69, 73
M410541P	69, 73, 75, 77
Burner Kit	
M4448P3	55, 59, 65
Burner Orifice	
M400918	55, 59

M400997	110
M400998	110
M400999	110
M401001	110
M401003	110
M401011	110
M401014	110
M401016	110
M401017	110
M401019	110
M401021	110
M401022	110
M401025	110
M401027	110
M402487	110
M402598	59
M402701	59
Q8152	55
Buss Bar Assembly	
M412757	95

C

Cam and Screw	
M400595	37
Chain Connecting Link	
M401360P	41
Chain Guard Assembly	
M411477	53
Chain Guard Warning Sticker	
M410082	91
M410083	91
Chain Sprocket	
M401369P	41
Channel Ignition Kit	
604P3	75
607P3	111
Circuit Board Support	
M405979	29
Circuit Breaker	
M412401	99
M412406	95, 97, 99
M412407P	95, 97
Clip	
M400974	23
M400976	51
M400984	35
Coil Spring	
M402455	19
Coin Carrier Spring	
M405138A	19
Coin Meter	
M402508-12	11, 19
M402508-14	11, 19
M402508-34	11, 19
M402508-36	11, 19
M402508-45	11, 19
M405138P	11, 19
Coin Meter Drive	
M400754	19, 21

N/A items do not appear in index.

Coin Retainer Spring M406297	19
Coin Slide Extension 61031	25
Coin Vault Assembly 44102801	23
Contact Block M412230	9, 13
Contactor	
M400904P	83, 85
M400910P	83, 85
M400913P	83, 85
M405116P	83, 85
70323701P	95, 97, 99, 101, 103, 105, 107, 109
70343301P	95, 97, 99
Control Harness M405871P	29, 111
Control Kit 70228401P	17
Control Panel Assembly M402236	7
M402670	11
Control Panel Retainer M401301	7, 9, 11, 13, 15
M401302	7, 9, 11, 13, 15
Control Panel Wire Harness Assembly M403924P	7, 11, 111
Counterweight M400822	51
Cover Plate M401362	47
Cylinder M401049P	39
Cylinder and Trunnion Assembly M401052P	39

D

Deflector Shield M402746	65
Din Rail	
M412692	95, 97, 99
M412693	97
M412694	95, 97, 99
DIN Valve Kit F8521701	87, 89
Diode Logic Board M405897P	29
Door Assembly	
M400447P	33
M410887	33
430475	33
Door Glass M400784P	33
70133601P	33
Door Glass Seal Kit 70211901P	33
Door Handle M400133	33
430117	33
Door Hinge Assembly M400512*	33
M402714*	33

Door Latch M401223	33
Door Ring Gasket M406129	33
Door Safety Switch Kit M4842P3	31
Door Switch M400952	29
Drive Rivet M400713	35
Drum Idler Wheel Assembly 430619	45
Drywall Screw Magnet Kit 70343101P	39

E

End Barrier M412633	95, 97, 99, 101, 103, 105, 107, 109
End Section M412540	95, 99, 101, 103, 105, 109
End Stop M412615	97, 107
70121001	95, 97, 99, 101, 103, 105, 107, 109
Exhaust Thimble Assembly M412288	53
Extension Handle M412370	101, 103, 105, 107, 109
M412371P	95, 97, 99
Extension Spring M412121	43

F

Fan Kit M4936P3	47
Fan Motor	
44045901P	49
44046001P	49
Fan Motor Harness Assembly M413281	111
Felt Pad M402144	39
Finger Guard M412366	101, 103, 105, 107, 109
M412367	95, 97, 99
Flexible Coupler M412551	31
Front Panel Kit M410756P	35
M411124P	35
Fuse M412996	97, 107
M414104	17
502593	95, 99, 101, 103, 105, 109

G

Gas Shut-Off Valve M412562P	75, 77
--------------------------------------	--------

N/A items do not appear in index.

Gas Valve	
M401224P	59
M401228P	55
M401229P	55
M401230P	55
M401231P	55
M402750P	65
M403151P	65
M410907P	79
M410908	79
M413332P	77
Gas Valve Assembly	
M409152P	73
M409153P	73
M409561P	73
Gas Valve Bracket	
M405945	69, 73
M406814	69, 73, 77
Gas Valve Flange Assembly	
M412568	75
Gas Valve Harness Assembly	
M413650	111
Gas Valve Kit	
M401225P	59
M4986P3	69
M4987P3	69
Gas Valve Main Coil	
M411134	73
Gasket	
M400798	57, 63, 67
Ground Buss Assembly	
M412656	95, 97, 99, 101, 103, 105, 107, 109
Ground Lug Connector	
M411283	85
Guide Rail	
M412476	41, 43

H

Handle and Cam Assembly	
M410243P	37
Harness Assembly	
M412635	111
M412997	111
Heater Cable Harness Assembly	
M412801	111
M412802	111
Heater Element	
M405230P	81
M405252P	81
M405253P	81
High Limit Thermostat	
M401257	53
High Voltage Lead	
M406788	73
M406881	77
Hinge Assembly	
M400514	33
M405931	25
Hinge Bracket	
431000*	35
Hinge Pin	
M400653	33

Hood Assembly	
M401159	81

I

Idler Arm Kit	
M414320P	45
Idler Housing Kit	
M412229P	45
943P3P	45
Idler Shaft	
M401374P	41
M412223P	45
Igniter	
55438P	65, 69
Igniter Bracket Assembly	
M402745P	65, 69
Igniter Kit	
M4337P3	59, 61
M4338P3	59, 61
Ignition Bracket	
M402594	61
Ignition Control	
M406789P	73
M4898P3	75
70483201	77
Ignition Control Harness Assembly	
M413548	111
Ignition Wire Harness Assembly	
M406880	73, 111
Instant Electronic Ignition Control	
M410904P	79

J

Jumper Bar	
M400866	81
Jumper Harness Assembly	
M412871	95
Jumper Strip	
M400869	81
Jumper Wire	
M400337	57
M402823	67
M402824	67
M402825	67
M404868	71
Jumper Wire Assembly	
M401281	81
M403743	81
M412116	83, 85
M412117	83
M412645	17, 111

K

Key	
M400010	39, 43
M400993	47
M401327	41, 43
54612	25

N/A items do not appear in index.

Key and Instruction Kit M400994P	47
Kickplate Kit M414437P	37
Knob	
M400773	7, 9
M400777	29
M410927	7, 9

L

Limit Thermostat	
M401404	65, 69, 73
M405943	75, 77, 81
M406412	37
M409433	55, 59, 65, 69, 73
M409443	75, 77
M410220	77
M410542	37
M411813	37
Lint Hood Assembly M400515	37
Lint Panel Assembly	
M401062*P	37
M402713*P	37
Lint Screen Assembly M400522	37
Lint Screen Hood Assembly M401150	37
Lint/Access Panel Handle M400594P	37
Lock Kit 27260P	25
Low Pressure Steam Cover M400828	89
L.P. Conversion Kit	
M4325P3	55
M4377P3	69, 73
M4378P3	69, 73
L.P. Valve Conversion Kit M405434P	71

M

Magnetic Operator M406217P	67
Main Coil M405430	71
Main Operator M401227P	63
Manifold Pipe Assembly M406681	55, 59, 65, 69, 73
Manual Reset Thermostat M411941	37
Micro Harness Assembly M413677	17
Micro Mounting Assembly M413738	17
Micro V Belt M411424P	43
Micro V Pulley M411466P	45

Micro V Sheave M412155	43
Microprocessor Overlay	
M413417	17
M413423	17
M413425	17
M413426	17
Motor	
M400379	49
M400794P	7
M411189P	49
M411191P	49
M412227P	49
44046101P	49
44048701P	49
44048801P	49
Motor Bracket M411483	43, 47
Motor Hardware Kit M4426P3	47
Motor Harness Assembly	
M409487	111
M411828	111
Motor Replacement Kit	
M4833P3	49
M4834P3	49
M4858P3	49
Motor Wire Harness Assembly	
M405351	111
M409489	111
M409982	111
M411827	111
Mounting Switch Base	
M412186	95, 97, 99
M412187P	101, 103, 105, 107, 109

N

Nut	
JT-149-3	61
M400022	47
M400023	39, 43
M400026	39, 41, 43
M400034	47
M400036	39, 43
M400672	11, 13
M400926	61
M400977	51
M400979	51
M400981	29
M401548	55, 59, 65, 69, 73, 77
M401549	55, 59, 65, 69, 73, 77
M401930	39
M404993	43
M412626	43
M412688	95, 97, 99, 101, 103, 105, 107, 109
M414215	33
Q6163	33
02428	41, 47
02788	29
20274	25
20275	33
52566	45
56156	45
70054	17, 81
70142	47

N/A items do not appear in index.

O

Operator	
M400331P	57

P

Panel Key	
M401680	35, 37
Panel Lock	
M406654P	35
Pilot Electrode	
M402591P	61
Pilot Ignition Control	
M410011P	59
Pilot Operator	
M401226P	63
Pilot Tubing	
M402596	61
Pipe	
M400749	55, 59, 65, 69, 73, 75, 77
Pop Rivet	
M405750	7, 9, 11, 13, 15, 33
Pulley	
M401183P	47
M401186P	47
M414567	47
Push-to-Start Switch Kit	
44106901P	7, 11, 15

R

Ratchet Wheel	
53239	27
Relay	
M400911P	7
M400912P	7, 53
M412534	95, 97, 99, 101, 103, 105, 107
Relay Harness Assembly	
M412636	101, 111
M412766	97, 111
M412776P	95, 99, 111
M412777	95, 99, 111
Remote Igniter Kit	
M4385P3	63
Replacement Door Handle Kit	
70133501P	33
Reset Assembly	
M400329P	57
Resistor Assembly	
M400527	7, 11
M410992	7
Return Spring	
M400746	21
M405138B	19
Rib Rod	
M400901	39
Ring	
M400399	41, 43
Roller Chain	
M401425	41

Run Light	
M404151	11, 15

S

Screw	
M400043	43
M400044	33
M400057	47
M400065	41, 43
M400071	7, 11, 29
M400072	7, 11, 29
M400077	45, 47
M400657	37
M400661	33
M400664	37, 51, 53, 55, 59, 65, 69, 73, 79, 81, 83, 85, 89
M401938	51
M402595	61
M402797	37, 55, 59, 65, 69, 73, 79
M402917	7, 11, 15, 85
M405188	47
M405525	41, 43
M405824	53
M409385	33, 39, 61
M410059	47
M411052	7, 9
M412531	31
M412627	43
Q6516	29
03203	25
33562	7, 11, 15, 25, 95, 97, 99, 101, 103, 105, 107, 109
430497	17, 35, 51, 85
430648	45
430757	37
501086	95, 97, 99, 101, 103, 105, 107
503673	25
51780	7, 25, 53, 83, 85, 95, 97, 99, 101, 103, 105, 107, 109
52909	25
56693	65, 69
Secure Ground Label	
M403047	91
Sensor	
510213	65, 69
Sensor Cable Harness	
M413559P	17
Sensor Probe	
M401209P	61
Service Door Assembly	
35798LP	25
35798WP	25
Shadow Box and Clip	
M400131P	23
Shadow Box Clip	
M400972	23
Sheave Kit	
44086901P	41, 43
Shut-Off Valve Kit	
M4983P3	55, 59, 65, 69, 73, 77
Sleeve	
M400925	61
M412474	41

N/A items do not appear in index.

Solenoid Valve DIN Connector 70370301P	89
Spark Igniter M406934P	73, 75, 77
M410905P	79
Spring 53261	27
Spring Clip M400402	33
Sprocket M400091P	39
M401366P	41
Spud Holder Assembly M410546	69, 73, 77
Steam Coil M400636P	89
Steam Valve F8322903	87, 89
M413295P	87, 89
M413298P	87, 89
Steam Valve Coil M401383	87
M412258	87, 89
M413301	89
M413302	89
70205701P	89
Steam Valve Kit F951P3	87, 89
Steam Valve Rebuild Kit M412259	89
Street Elbow H86070034	75
Support Bearing 70448701	45
Switch M400947	19, 21, 27
Switch Base M412528	31

T

Tension Plate Assembly M414405	43
Terminal Block M400685	83
M405363	53
M405364	53
M412042	85
M412045P	85, 95, 97, 99
M412537	95, 99, 101, 103, 105, 109
M412538	97, 107
M412631	95, 97, 99, 101, 103, 105, 107, 109
M412632	95, 97, 99, 101, 103, 105, 107, 109
Terminal Block End M400681	83
Thermistor M414704	37
Thermocouple M400934	55
Thermostat M401251P	29
Thermostat Cover M414477	37, 55, 59, 65, 69, 73, 79

Thermostat Kit M4347P3	81
Thimble Vane Assembly M400503	53
Timer M400785P	7
M400787P	7
M400791P	7
M412079P	9
Timer Kit M410900P	7
M410901P	7
Timer Motor M400609	7, 19, 21, 27
M400793	7
Timing Cam M400239	27
M400732P	19, 21
M400733P	19, 21
M400734P	19, 21
M400735P	19, 21
M400736P	19, 21
M400737P	19, 21
M400738P	19, 21
M400739P	19, 21
M400740P	19, 21
M400741P	19, 21
53240	27
53241	27
53242	27
53243	27
Top Front Panel M401315	35
M413633*	35
Top Front Panel Assembly M405889*	35
Transformer M401391P	83, 85
M402650P	29
M412412P	97, 107
M412477P	95, 99, 101, 103, 105, 109
Transformer Harness Assembly M412641	95, 97, 99, 101, 103, 105, 107, 109
M412642	95, 99, 101, 103, 105, 109
Transformer Kit M401199P	29
Trunnion Assembly M401055P	39
Trunnion Housing Assembly M401349P	39
Trunnion Housing Casting M400144	39

V

Valve Operating Coil M410012P	63
Valve Repair Kit M400152	87
M401384	87
M410699	87
Vane M400253	51

N/A items do not appear in index.

Vane Assembly	
M400541	51
Vent and Thimble Caution Label	
M411815	91

W

Warning Label	
M410892	35, 93
500316	91, 93
Washer	
M400013	39, 41, 47
M400014	25, 41, 43
M400017	33
M400080	43, 47
M400081	41
M400606	55, 59, 65
M400675	33
M400832	41
M400991	47
M401947	39
M403958	43
M405535	45
M412188	43
03189	33
03815	33, 37, 55, 61, 65
20279	25
35774	25
35917	25
Wire Harness Assembly	
M401284	111
M401909	111
M403824	73, 111
M405372	111
Wire Lead	
M402597	61
