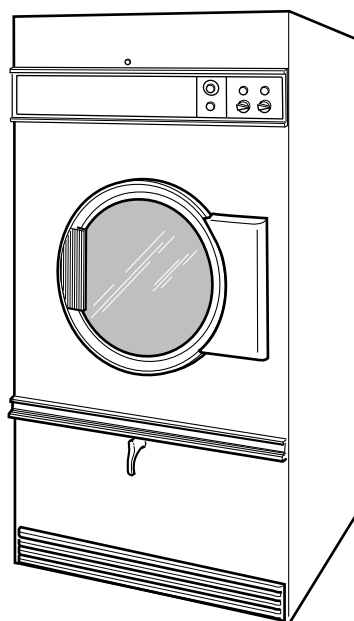


Drying Tumblers

50 and 75 Pound Capacity

Refer to Page 5 for Model Numbers



T012C_70410801

Table of Contents

| Title | Page |
|---|------|
| Parts Ordering Information..... | 3 |
| Serial Plate Location | 3 |
| Model Identification | 5 |
| Control Panel Assembly for Rotary Coin Drop Models | 6 |
| Control Panel Components for DT, JT and ST Manual Timer Models..... | 8 |
| Control Panel Assemblies for DT, JT and ST Manual Timer Models..... | 10 |
| Control Panel Assembly for DC, JC and SC Manual Timer Models | 12 |
| Coin Meter | 14 |
| OPL 120 Volt Micro Control | 16 |
| OPL 24 Volt Micro Control | 18 |
| Network Board for NetMaster Models..... | 20 |
| Card Reader for NetMaster Models | 22 |
| Coin Drop for NetMaster Models | 24 |
| Network Interface Board for NetMaster Models..... | 26 |
| Front Control Box Components | 28 |
| Coin Vault and Coin Drawer | 30 |
| Access Panel and Top Cover | 32 |
| Front Panel and Door..... | 34 |
| Door Switch..... | 36 |
| Panels, Lint Hood Assembly and Lint Screen..... | 38 |
| Cylinder and Trunnion Assemblies | 40 |
| Trunnion Housing and Sprockets..... | 42 |
| Idler Drive Components for Nonreversing Belt/Chain Drive..... | 44 |
| Idler Drive Components for Nonreversing Belt/Belt Drive..... | 46 |
| Idler Housing Assembly For Nonreversing Belt/Belt Drive..... | 48 |
| Idler Drive Components For Belt/Chain Drive - Reversing Models..... | 50 |
| Idler Drive Components For Belt/Belt Drive - Reversing Models | 52 |
| Idler Housing Assembly for Reversing Belt/Belt Drive | 54 |
| Fan and Motor Components - All Models Except FG and 634..... | 56 |
| Fan Motors with Standard Connection - 50 Pound Models Through Serial No. 684487YA..... | 58 |
| Fan Motors with Quick Connect - 50 Pound Models Starting Serial No. 684487YA..... | 60 |
| Motor Components - 75 Pound Models Except FG and 634 | 62 |
| Fan and Motor Components - FG and 634 Models | 64 |
| Cylinder Drive Motor and Components for Models Through 1996..... | 66 |
| Cylinder Drive Motor and Components for Models Starting 1996..... | 68 |
| Cylinder Motor Bracket - Models Through 1995 | 70 |
| Airflow Switch Assembly | 72 |
| Standing Pilot Ignition Burner Assembly - 50 Pound Models..... | 74 |
| Standing Pilot Ignition Gas Valve Components | 76 |
| Automatic Pilot Ignition Burner Assembly - 50 Pound Models..... | 78 |
| Glow Bar Ignition Burner Assembly - 50 Pound Models Starting Jan 1982 (PA) Through Aug 1982 (PH)..... | 80 |

© Copyright 2018, Alliance Laundry Systems LLC

All rights reserved. No part of the contents of this book may be reproduced or transmitted in any form or by any means without the expressed written consent of the publisher.

| | |
|--|-----|
| Glow Bar Ignition Gas Valve Components - 50 Pound Models..... | 82 |
| Glow Bar Ignition Burner Assembly | 84 |
| Glow Bar Ignition Gas Valve Coil and Wires..... | 86 |
| Instant Electronic Ignition Burner Assembly | 88 |
| Gas Burner Components for Electronic Ignition..... | 90 |
| Instant Electronic Ignition Gas Valve Coil and Wires | 92 |
| Burner Assembly for Australian Models | 94 |
| Gas Valve Assembly for Dungs/B-M System..... | 96 |
| Gas System | 98 |
| Burner Orifices - DT, JT, ST and TKD Models..... | 100 |
| Electric Heater Components and Thermostat (Drawing 1 of 3) | 102 |
| Electric Heater Components and Thermostat (Drawing 2 of 3) | 104 |
| Electric Heater Components and Thermostat (Drawing 3 of 3) | 106 |
| Electric Heat Contactor Box Components | 108 |
| Steam Heater and Valve | 110 |
| Cabinet High Limit Thermostat and Backdraft Damper..... | 112 |
| Warning Labels | 114 |
| Reversing Control | 116 |
| Contactor Box Assembly Harnesses for OM Control Suffix | 118 |
| Contactor Box Assembly (Drawing 1 of 10) | 120 |
| Contactor Box Assembly (Drawing 2 of 10) | 122 |
| Contactor Box Assembly (Drawing 3 of 10) | 124 |
| Contactor Box Assembly (Drawing 4 of 10) | 126 |
| Contactor Box Assembly (Drawing 5 of 10) | 128 |
| Contactor Box Assembly Harnesses for CD, MM and MT Control Suffixes..... | 130 |
| Contactor Box Assembly (Drawing 6 of 10) | 132 |
| Contactor Box Assembly (Drawing 7 of 10) | 134 |
| Contactor Box Assembly (Drawing 8 of 10) | 136 |
| Contactor Box Assembly (Drawing 9 of 10) | 138 |
| Contactor Box Assembly (Drawing 10 of 10) | 140 |
| Accessory Box | 142 |
| Junction Box | 144 |
| Parts Index..... | 147 |

Parts Ordering Information

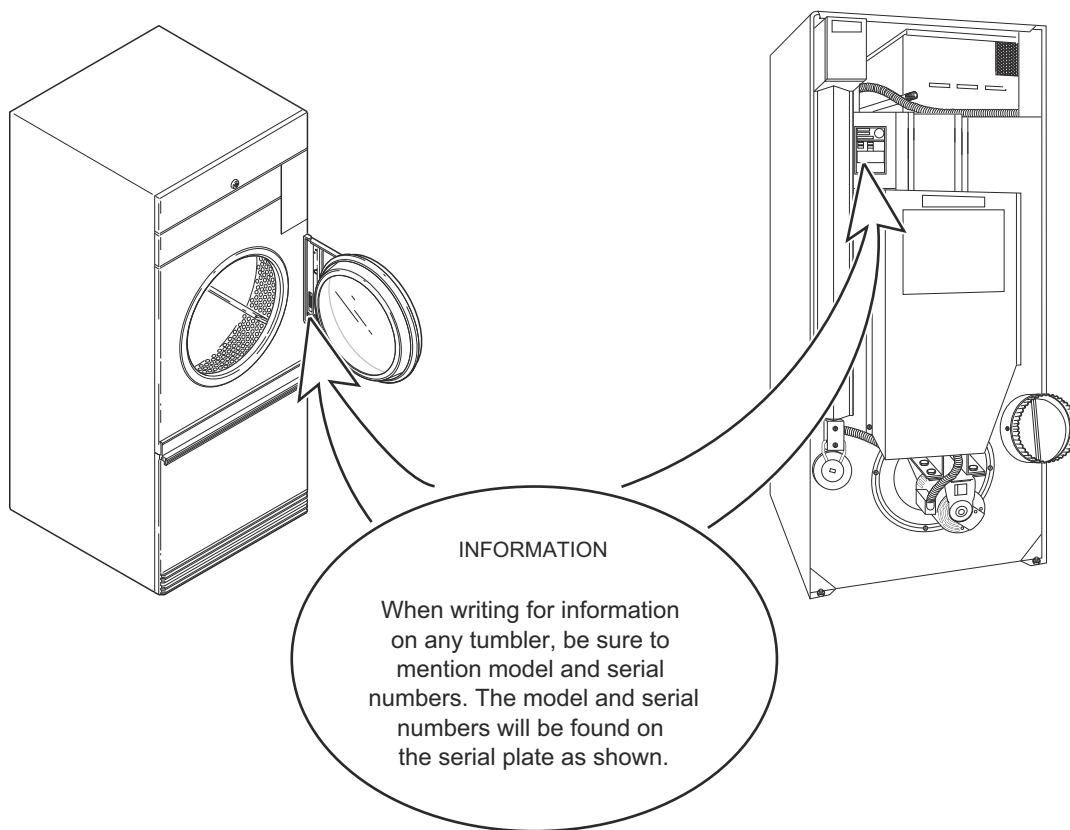
If literature or replacement parts are required, contact the source from whom the machine was purchased or contact Alliance Laundry Systems at (920) 748-3950 for the name and address of the nearest authorized parts distributor.

For technical assistance, call the number listed below:

(920) 748-3121 Ripon, Wisconsin

Serial Plate Location

When calling or writing about your product, be sure to mention model and serial numbers. Model and serial numbers are located on serial plate(s) as shown.



T419IE3A_70410801

Model Identification

Information in this manual is applicable to these tumbler models:

| | | | | |
|----------|----------|----------|----------|-----------|
| DCB50CE | JC50CE | JT50CE | SC50CE | ST50CE |
| DCB50CG | JC50CG | JT50CG | SC50CG | ST50CG |
| DCB50CSH | JC50CSH | JT50CGI | SC50CSH | ST50CGI |
| DCB50EG | JC50EG | JT50CSH | SC50EG | ST50CSH |
| DCB75CE | JC75CE | JT50CSL | SC75CE | ST50EGI |
| DCB75CG | JC75CG | JT50EG | SC75CG | ST75CE |
| DCB75CSH | JC75CSH | JT50EGI | SC75CSH | ST75CG |
| DCB75CSL | JC75EG | JT75CE | SC75EG | ST75CSH |
| DCB75FG | JCB50CE | JT75CG | SCB50AT | ST75CSL |
| DTB50CE | JCB50CG | JT75CSH | SCB50CE | STB50CE |
| DTB50CG | JCB50CSH | JT75CSL | SCB50CG | STB50CG |
| DTB50CSH | JCB50EG | JT75EG | SCB50CSH | STB50CSH |
| DTB50CSL | JCB75CE | JTB50CE | SCB50EG | STB50CSL |
| DTB50EG | JCB75CG | JTB50CG | SCB75CE | STB50EG |
| DTB634 | JCB75CSH | JTB50CSH | SCB75CG | STB634 |
| DTB75CE | JCB75CSL | JTB50CSL | SCB75CSH | STB75CE |
| DTB75CG | JT37CE | JTB50EG | SCB75CSL | STB75CG |
| DTB75CSH | JT37CG | JTB75CE | ST37CE | STB75CSH |
| DTB75CSL | JT37CGI | JTB75CG | ST37CG | STB75CSL |
| DTB75EG | JT37CSH | JTB75CSH | ST37CGI | STB75EG |
| DTB75FG | JT37CSL | JTB75CSL | ST37CSH | TKD50CEMT |
| | JT37EG | JTB75EG | ST37CSL | TKD50CGMT |
| | JT37EGI | | ST37EG | |
| | | | ST37EGI | |

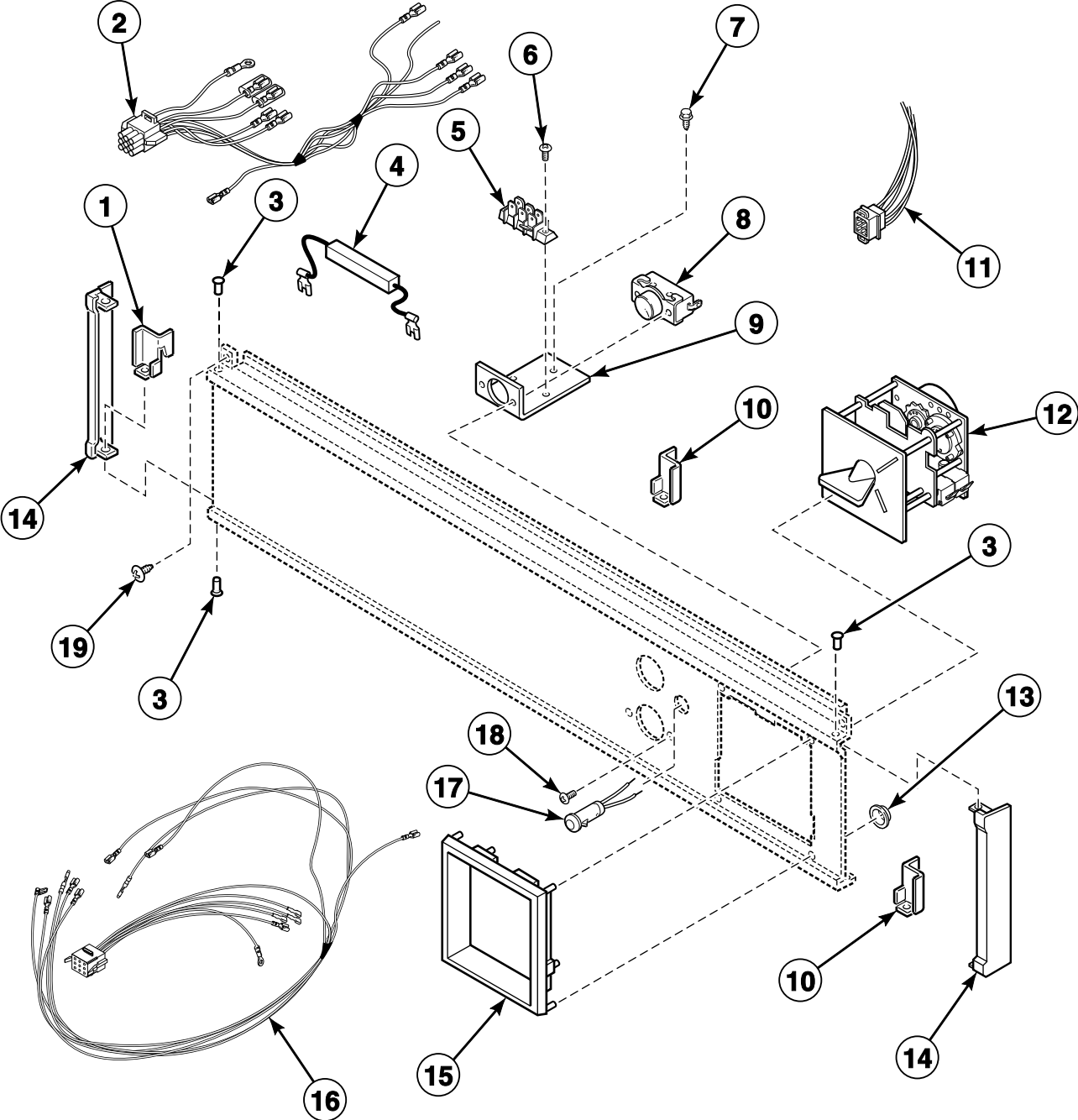
Control Suffixes:

CD – rotary coin drop
 MM – OPL micro
 MT – manual timer
 NC – NetMaster coin

NR – NetMaster card
 NX – NetMaster, prep for coin
 NY – NetMaster, prep for card
 OM – OPL micro

ZC – NetMaster network, coin
 ZR – NetMaster network, card
 ZX – NetMaster network, prep for coin
 ZY – NetMaster network, prep for card

Control Panel Assembly for Rotary Coin Drop Models



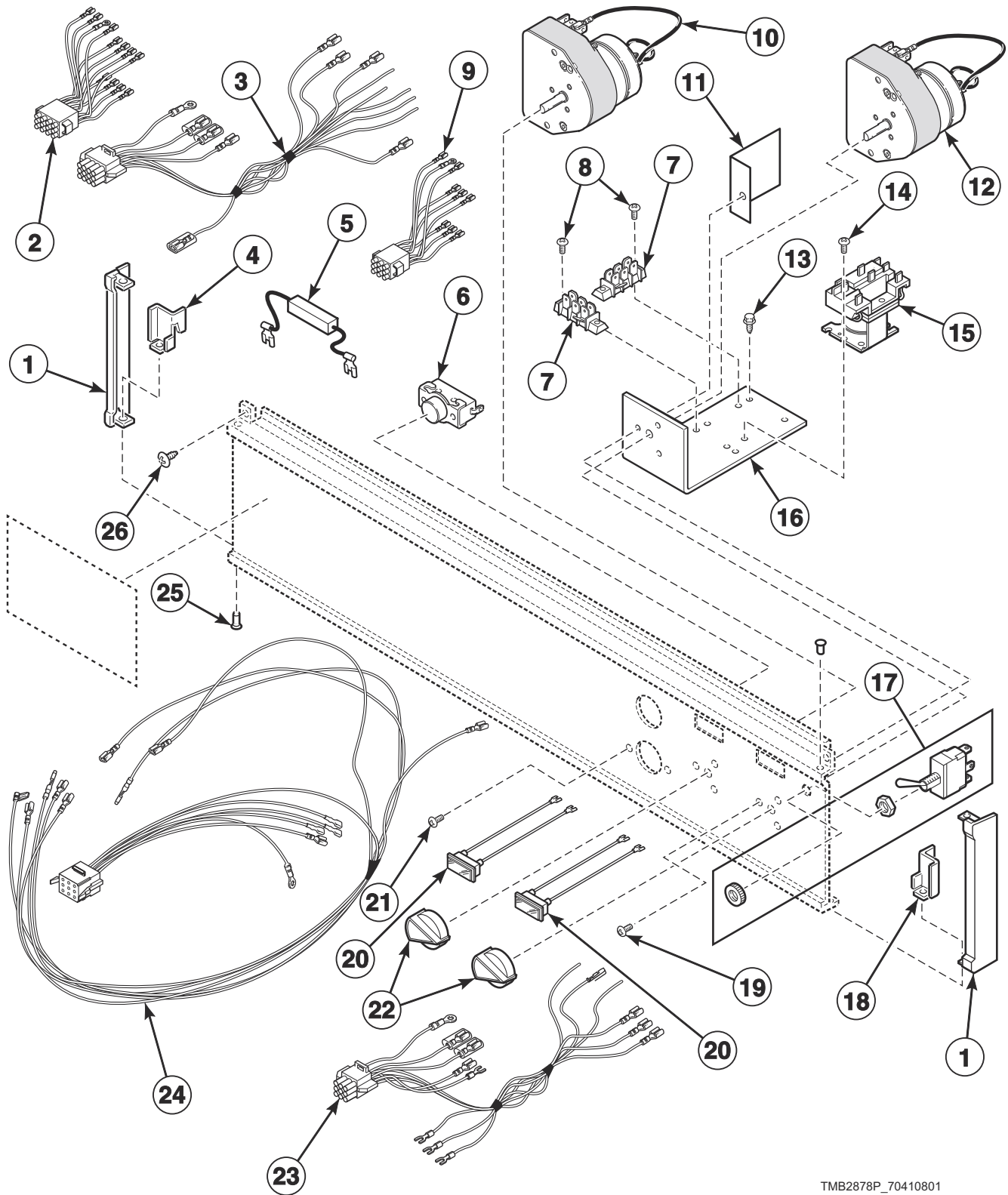
TMB2504P_70410801

Control Panel Assembly for Rotary Coin Drop Models

| REF | PART NO. | DESCRIPTION | COMMENTS |
|------------|------------|-------------------------------------|---|
| 1 | M401301 | Control Panel Retainer | Left |
| 2 | M405871P | Control Harness | CG and EG models; Coin; Front control box to rear junction box |
| 3 | M405750 | Pop Rivet | |
| 4 | M400527 | Resistor Assembly | For 208-240 Volt/60 Hertz Greenwald timers |
| 5 | N/A | Terminal Block | |
| 6 | M400071 | Screw | |
| 7 | M402917 | Screw | Ground |
| 8 | 44106901P | Push-to-Start Switch Kit | |
| 9 | N/A | Bracket | |
| 10 | M401302 | Control Panel Retainer | Right |
| 11 | M403924P | Control Panel Wire Harness Assembly | |
| 12 | M402508-12 | Coin Meter | South Africa; .20/10 minutes |
| | M402508-14 | Coin Meter | Japan; 100 yen/10 minutes |
| | N/A | Coin Meter | Australia; .20/5 minutes |
| | N/A | Coin Meter | France; 2 franc/10 |
| | N/A | Coin Meter | South Africa; .50/15 minutes |
| | N/A | Coin Meter | Token; STD 118-5/10 |
| | N/A | Coin Meter | Token; STD 118-5 |
| | M402508-34 | Coin Meter | Danish; Krone/5 minutes |
| | M402508-36 | Coin Meter | Token; STD 118-1 |
| | N/A | Coin Meter | Australia; \$1/15 minutes |
| | N/A | Coin Meter | Token; STD 118-1/15 |
| | M405138P | Coin Meter | USA; \$.25/10 minutes; 120 Volt/60 Hertz |
| | M412546 | Coin Meter | Token; STD118-1 |
| | N/A | Coin Meter | Token; STD118-5 |
| | N/A | Coin Meter | England; 20 pence |
| M402508-45 | Coin Meter | Spain; 25 pesetas | |
| 13 | M400672 | Nut | 50 pound models |
| | M400675 | Washer | 75 pound models |
| 14 | N/A | End Cap | |
| 15 | N/A | Shadow Box | |
| 16 | N/A | Wire Harness Assembly | 50 pound DC, JC and SC models; Front control box to rear junction box |
| 17 | M404151 | Run Light | 120 Volt control circuit |
| | N/A | Run Light | 208-240 Volt control circuit |
| 18 | M400072 | Screw | |
| 19 | 33562 | Screw | |

N/A = Part no longer available

Control Panel Components for DT, JT and ST Manual Timer Models



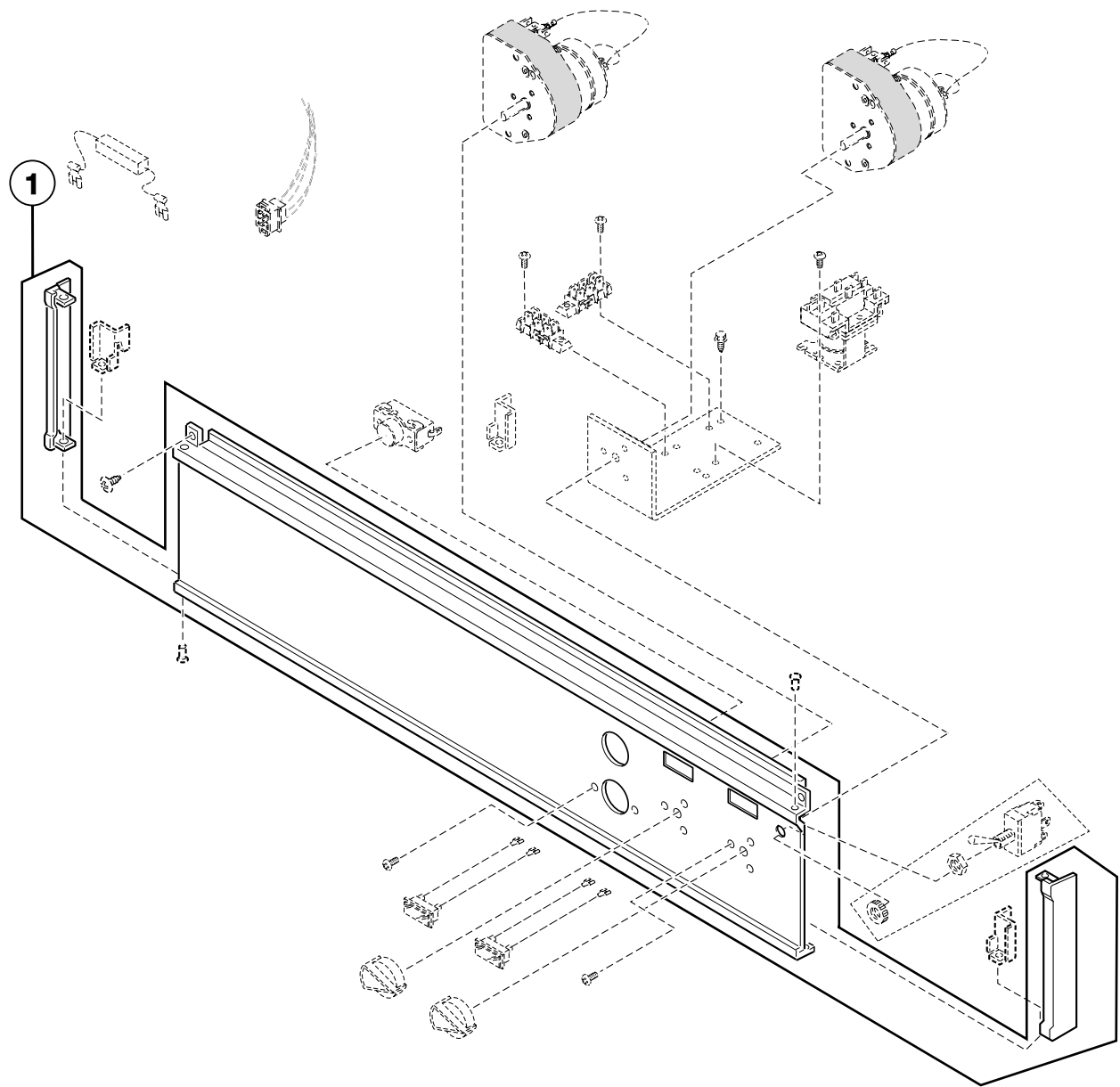
TMB2878P_70410801

Control Panel Components for DT, JT and ST Manual Timer Models

| REF | PART NO. | DESCRIPTION | COMMENTS |
|-----|-----------|-------------------------------------|--|
| 1 | N/A | End Cap | |
| 2 | M410488 | Control Panel Wire Harness Assembly | Reversing; Gas models; 208-240 Volt/60 Hertz/3 Phase; Front control box to rear junction box |
| | M405372 | Wire Harness Assembly | Reversing; Gas models; 50 Hertz; Front control box to rear junction box |
| 3 | N/A | Control Wire Harness Assembly | Reversing; Gas models; 50 Hertz |
| | M410487 | Control Wire Harness Assembly | Reversing; Gas models; 208-240 Volt/60 Hertz/3 Phase |
| | N/A | Control Box Wire Harness Assembly | Reversing; Electric and steam models; Front control box to rear junction box |
| 4 | M401301 | Control Panel Retainer | Left |
| 5 | M410992 | Resistor Assembly | Robert Shaw Mallory timer; 208-240 Volt/60 Hertz control circuit |
| | M400527 | Resistor Assembly | Greenwald timer; 208-240 Volt |
| 6 | 44106901P | Push-to-Start Switch Kit | |
| 7 | N/A | Terminal Block | 208-240 Volt/50 or 60 Hertz |
| 8 | M400071 | Screw | |
| 9 | M403924P | Control Panel Wire Harness Assembly | Nonreversing and coin |
| 10 | M410900P | Timer Kit | Cooling; 15 minute; 60 Hertz |
| | M410902P | Timer Kit | Cooling; 15 minute; 50 Hertz |
| 11 | N/A | Fishpaper | |
| 12 | M410901P | Timer Kit | Drying; 60 minute; 60 Hertz |
| | M410903P | Timer Kit | Drying; 60 minute; 50 Hertz |
| 13 | M402917 | Screw | Ground |
| 14 | M400072 | Screw | 50 pound models |
| | 51780 | Screw | 75 pound models |
| 15 | M400912P | Relay | 120 Volt/60 Hertz |
| | M400911P | Relay | 208-240 Volt/50 or 60 Hertz |
| 16 | N/A | Electrical Components Tray | |
| 17 | M400945 | Toggle Switch | Reversing; Includes nuts |
| | M413270 | Rocker Switch | Reversing |
| 18 | M401302 | Control Panel Retainer | Right |
| 19 | M411052 | Screw | |
| 20 | JST-163-2 | Pilot Light | 120 Volt/60 Hertz |
| | N/A | Pilot Light | 208-240 Volt/50 or 60 Hertz |
| 21 | M400072 | Screw | |
| 22 | M400773 | Knob | DT and ST models except 634; Black with silver arrow |
| | M410927 | Knob | JT models; Cocoa with white dot |
| 23 | N/A | Wire Harness Assembly | Gas models; 480 Volt/60 Hertz/3 Phase |
| 24 | N/A | Wire Harness Assembly | Nonreversing; Electric models; 480 Volt; Front control box to rear junction box |
| 25 | M405750 | Pop Rivet | |
| 26 | 33562 | Screw | |

N/A = Part no longer available

Control Panel Assemblies for DT, JT and ST Manual Timer Models



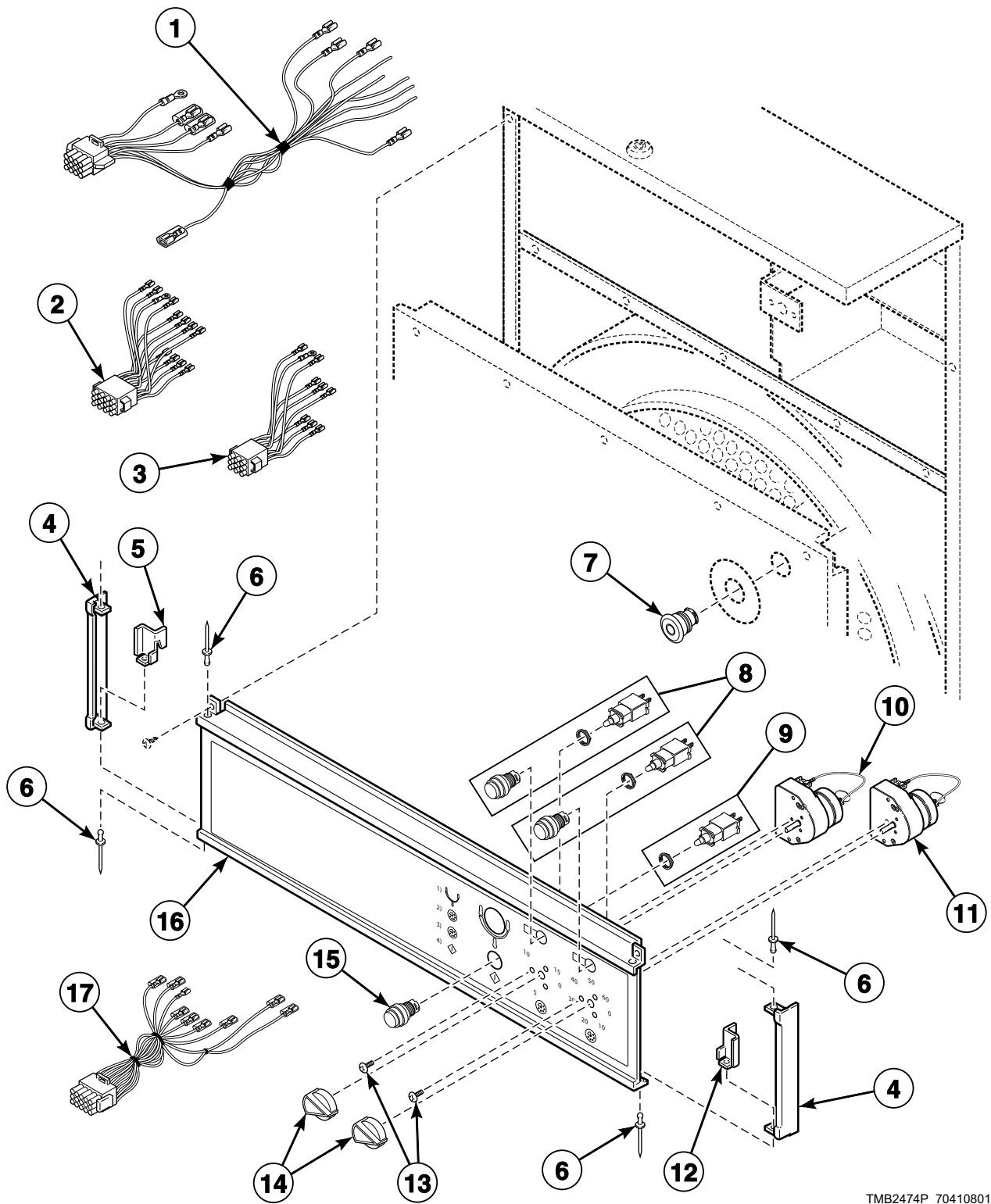
TMB2110P_70410801

Control Panel Assemblies for DT, JT and ST Manual Timer Models

| REF | PART NO. | DESCRIPTION | COMMENTS |
|-----|----------|------------------------|--|
| 1 | N/A | Control Panel Assembly | Nonreversing; JT models; Includes end caps |
| | M410660 | Control Panel Assembly | Reversing; 75 pound JT models; Includes end caps |
| | M413315 | Control Panel Assembly | Nonreversing; DT models; Includes end caps; Black |
| | M413316 | Control Panel Assembly | Reversing; DT models; Includes end caps; Black |
| | N/A | Control Panel Assembly | Nonreversing; ST models; Includes end caps; Black |
| | N/A | Control Panel Assembly | Reversing; ST models; Includes end caps |
| | N/A | Control Panel Assembly | JT models |
| | N/A | Control Panel Assembly | Nonreversing; ST gas models; Black |
| | N/A | Control Panel Assembly | Nonreversing; ST electric models; Black |
| | N/A | Control Panel Assembly | Nonreversing; ST gas and steam models |
| | N/A | Control Panel Assembly | Nonreversing; ST steam models; Black |
| | N/A | Control Panel Assembly | Nonreversing; ST electric models; Black |
| | N/A | Control Panel Assembly | Reversing; ST models |
| | N/A | Control Panel Assembly | Nonreversing coin models; Includes end caps |
| | N/A | Control Panel Assembly | JT models; Includes end caps; Aluminum |
| | N/A | Control Panel Assembly | 50 pound JT models; Includes end caps; Cocoa |
| | N/A | Control Panel Assembly | Reversing; ST models; Includes end caps; Black |
| | N/A | Control Panel Assembly | Reversing; JT models; Includes end caps; Cocoa |
| | N/A | Control Panel Assembly | Reversing; JT models; Includes end caps; Aluminum |
| | N/A | Control Panel Assembly | DT models; Includes end caps; Black; Icon |
| | M414906 | Control Panel Assembly | Dual timer |
| | M410680 | Control Panel Assembly | 50 pound JT CG and JTEG models; Includes control; Aluminum |

N/A = Part no longer available

Control Panel Assembly for DC, JC and SC Manual Timer Models



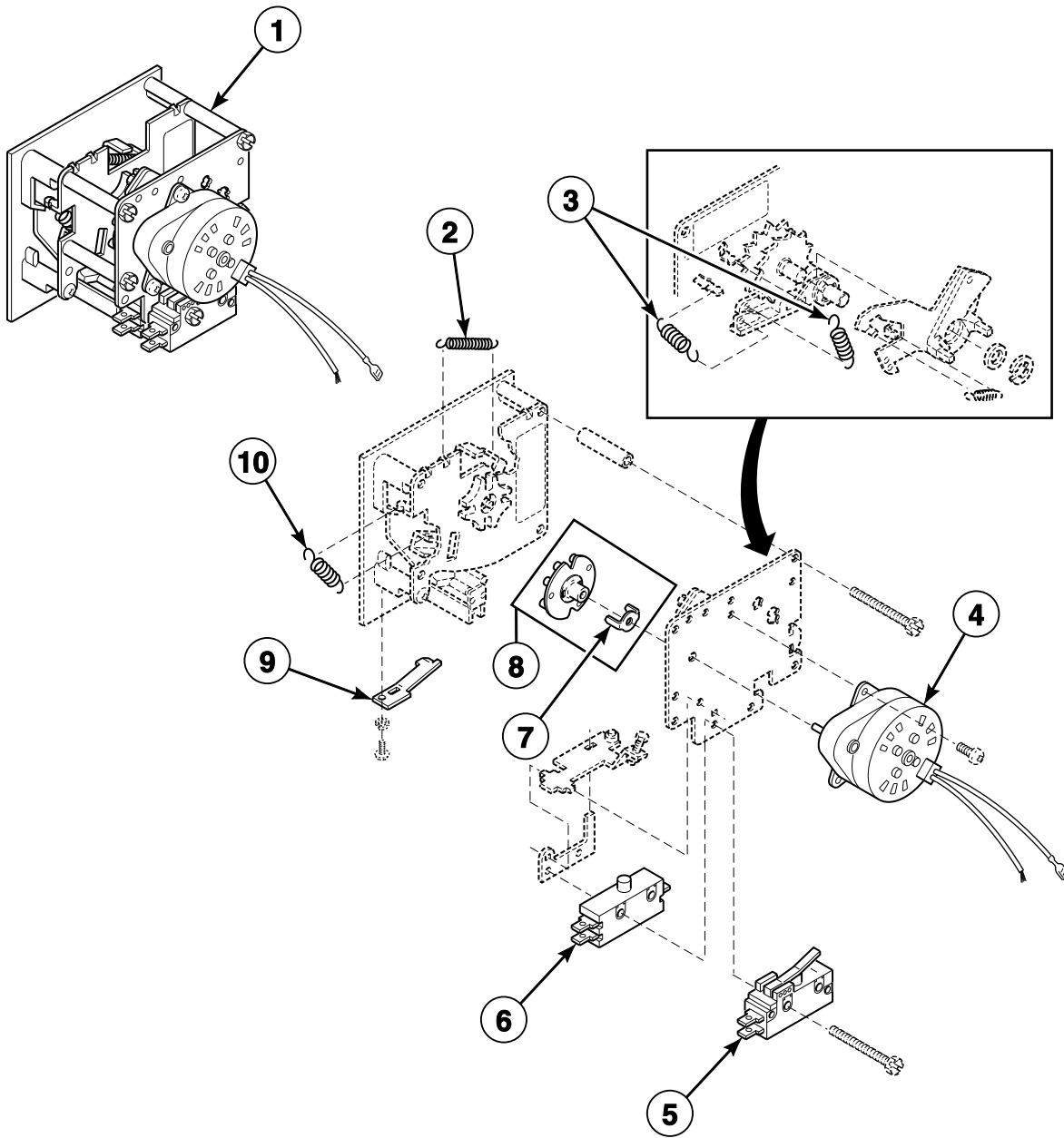
TMB2474P_70410801

Control Panel Assembly for DC, JC and SC Manual Timer Models

| REF | PART NO. | DESCRIPTION | COMMENTS |
|-----|-----------|-------------------------------------|--|
| 1 | N/A | Control Wire Harness Assembly | Reversing; Gas models; 50 Hertz |
| | N/A | Control Box Wire Harness Assembly | Reversing; Electric and steam models |
| | M410487 | Control Wire Harness Assembly | Reversing; Gas models; 208-240 Volt/60 Hertz/3 Phase |
| 2 | M410488 | Control Panel Wire Harness Assembly | Reversing; Gas models; 208-240 Volt/60 Hertz/3 Phase |
| 3 | M403924P | Control Panel Wire Harness Assembly | Nonreversing |
| 4 | N/A | End Cap | |
| 5 | M401301 | Control Panel Retainer | Left |
| 6 | M405750 | Pop Rivet | |
| 7 | 44018701P | Emergency Stop Kit | |
| | 44018801 | Pushbutton | Emergency stop |
| 8 | N/A | Indicator Light | |
| 9 | M412230 | Contact Block | Push-to-start |
| | 44018701 | Contact Block | |
| 10 | N/A | Timer | Drying; 60 minute; 24 Volt |
| 11 | M412079P | Timer | Cooling; 15 minute; 24 Volt |
| 12 | M401302 | Control Panel Retainer | Right and center |
| 13 | M411052 | Screw | |
| 14 | M400773 | Knob | DC and SC models |
| | M410927 | Knob | JC models |
| 15 | N/A | Pushbutton | Push-to-start |
| 16 | N/A | Control Panel Assembly | SC models; Includes end caps |
| | M414204 | Control Panel Assembly | Reversing; SC models; Includes end caps |
| | N/A | Control Panel Assembly | JC models; Includes end caps |
| | N/A | Control Panel Assembly | Reversing; JC models; Includes end caps |
| | N/A | Control Panel Assembly | Reversing; DC models; Includes end caps |
| | N/A | Control Panel Assembly | DC models; Includes end caps |
| 17 | N/A | Panel Harness Assembly | Reversing |

N/A = Part no longer available

Coin Meter



TMB2217P_70410801

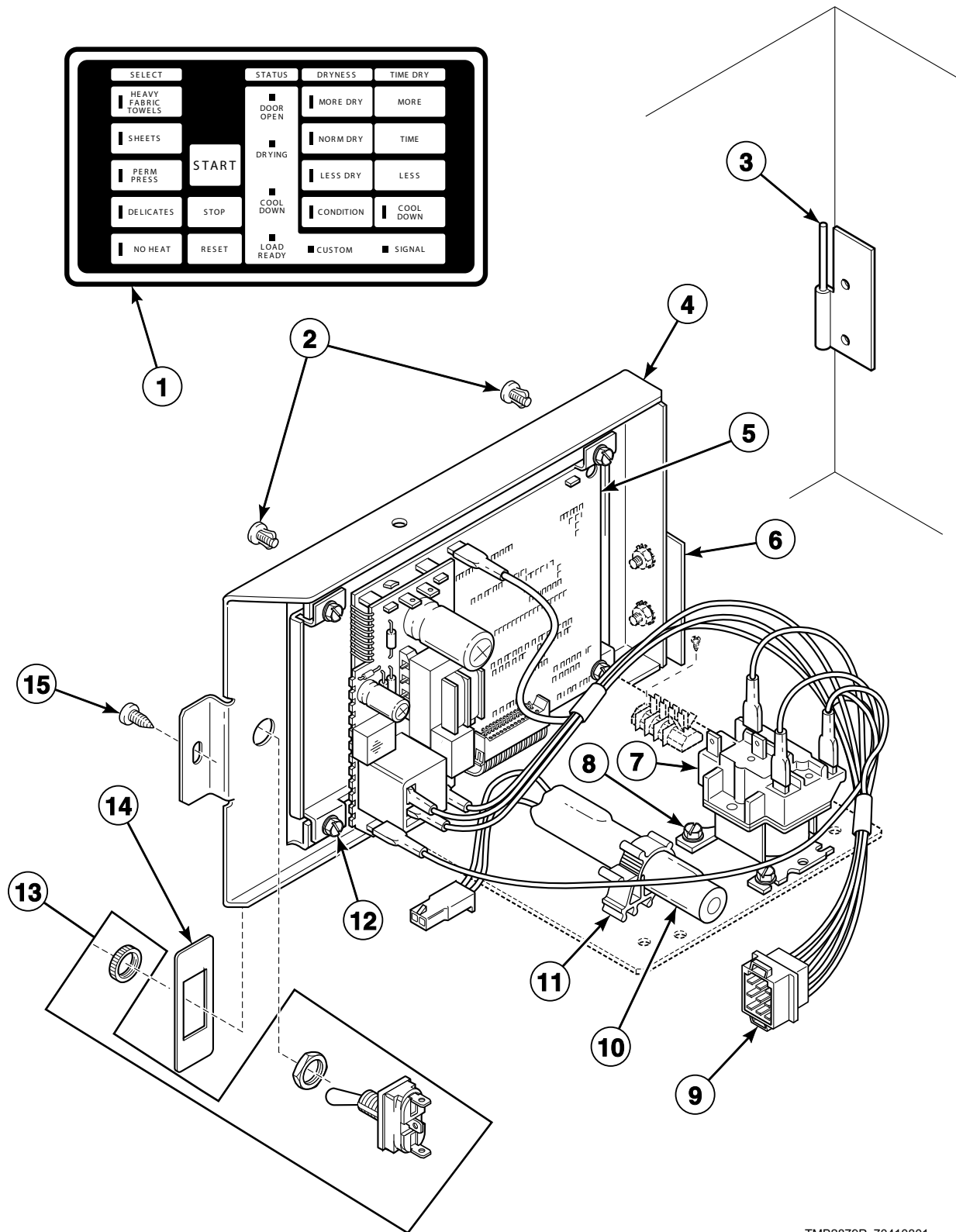
Coin Meter

| REF | PART NO. | DESCRIPTION | COMMENTS |
|-----|------------|----------------------|--|
| 1 | M402508-12 | Coin Meter | South Africa; .20/10 minutes |
| | M402508-14 | Coin Meter | Japan; 100 yen/10 minutes; 120 Volt/60 Hertz |
| | N/A | Coin Meter | Australia; .20/5 minutes |
| | N/A | Coin Meter | France; 2 franc/10, 2 french francs or 5 french francs |
| | N/A | Coin Meter | South Africa; .50/15 minutes |
| | N/A | Coin Meter | Token; STD 118-5 |
| | M402508-34 | Coin Meter | Denmark; Krone/5 minutes; Single coin drop is not available |
| | M402508-36 | Coin Meter | 50 pound models; Token; STD 118-1 |
| | N/A | Coin Meter | Australia; \$1/15 minutes |
| | M405138P | Coin Meter | USA; \$.25/10 minutes; 120 Volt/60 Hertz |
| | N/A | Coin Meter | 75 pound models; Token; STD118-5 |
| | N/A | Coin Meter | 75 pound models; Belgium; 5 Belgium francs and 5 francs; Single coin drop is not available |
| | N/A | Coin Meter | 75 pound models; England; 20 pence |
| | N/A | Coin Meter | 75 pound models; South Africa; Single coin drop; M411936 Front Plate |
| | N/A | Coin Meter | 75 pound models; South Korea; 500 won; Single coin drop |
| | M402508-45 | Coin Meter | 75 pound models; Spain; 25 pesetas |
| | N/A | Coin Meter | 75 pound models; Taiwan; 10 NT; Single coin drop |
| | N/A | Coin Meter | 75 pound models; Thailand |
| 2 | M405138B | Return Spring | |
| 3 | M402455 | Coil Spring | |
| 4 | M400609 | Timer Motor | 1/60 RPM; 120 Volt/60 Hertz |
| | M400611P | Motor | 1/60 RPM; 240 Volt/60 Hertz |
| | M410789 | Timer Motor | 1/30 RPM; 240 Volt/50 Hertz |
| 5 | M400947 | Switch | Heat |
| 6 | N/A | Single Throw Switch | Run |
| 7 | M400754 | Coin Meter Drive | Timing cam fork |
| 8 | M400734P | Timing Cam | 2 pin |
| | M400735P | Timing Cam | 3 pin |
| | M400736P | Timing Cam | 4 pin |
| | M400737P | Timing Cam | 5 pin |
| | M400738P | Timing Cam | 6 pin |
| | M400739P | Timing Cam | 7 pin |
| | M400740P | Timing Cam | 8 pin |
| | M400741P | Timing Cam | 9 pin |
| | M400732P | Timing Cam | 10 pin |
| | M400733P | Timing Cam | 12 pin |
| 9 | M406297 | Coin Retainer Spring | |
| 10 | M405138A | Coin Carrier Spring | |

N/A = Part no longer available

OPL 120 Volt Micro Control

MM Control Suffix



TMB2879P_70410801

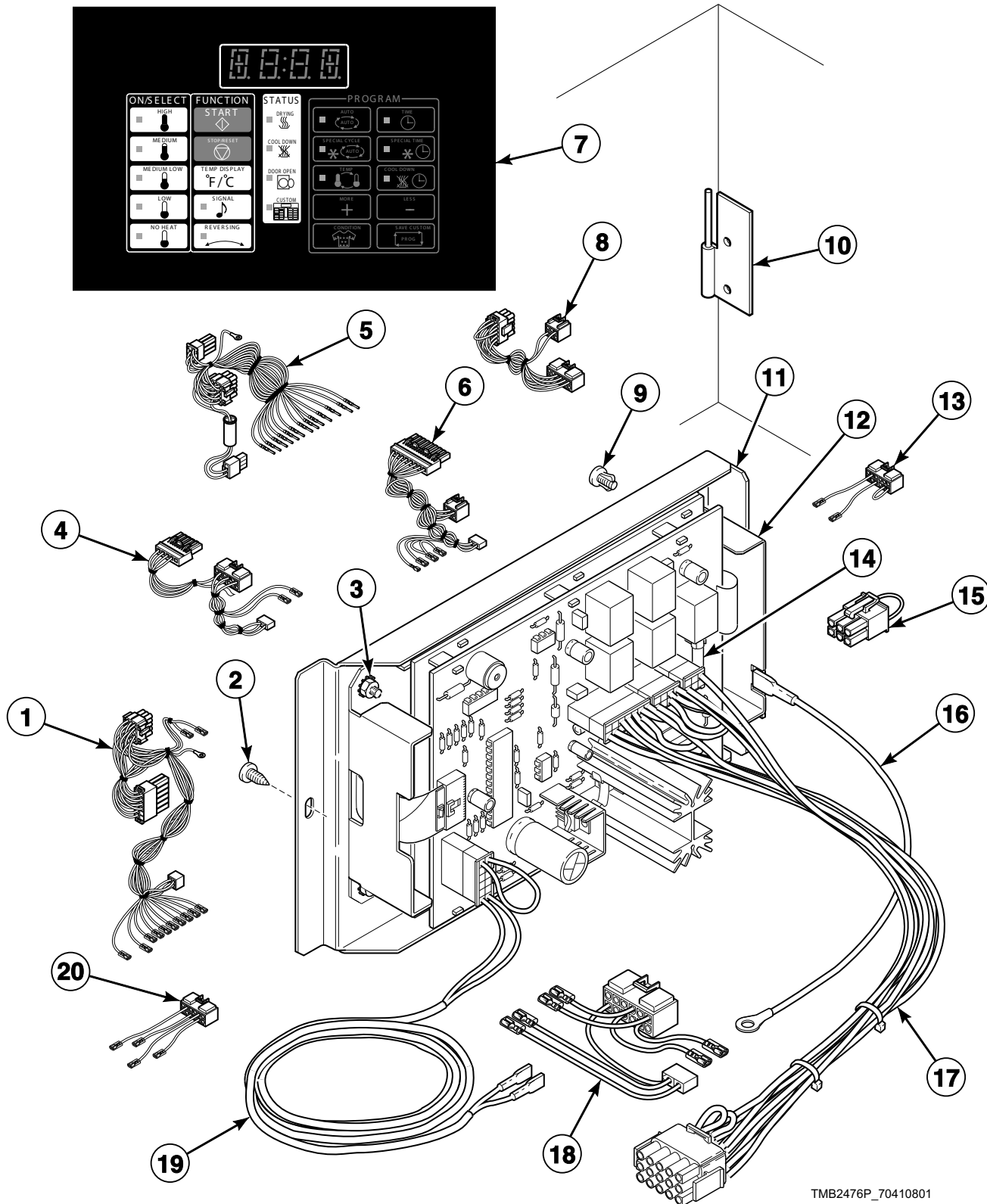
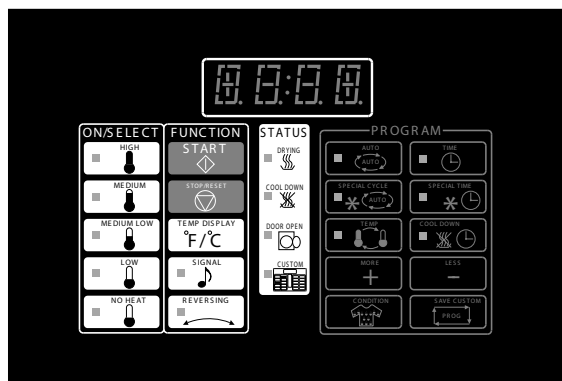
OPL 120 Volt Micro Control

| REF | PART NO. | DESCRIPTION | COMMENTS |
|-----|----------|-----------------------------------|----------------------------|
| 1 | N/A | Microprocessor Overlay | ST models |
| | N/A | Microprocessor Overlay | JT models |
| | M412961 | Microprocessor Overlay | DT models |
| 2 | N/A | Hole Plug | |
| 3 | N/A | Hinge | Male |
| 4 | M410800 | Mounting Plate | |
| | M413397 | Mounting Plate | |
| 5 | N/A | Control and Carton Kit | 120 Volt |
| 6 | N/A | Hinge | Female |
| 7 | M400912P | Relay | 120 Volt/1 Phase; CR2 |
| 8 | M400044 | Screw | |
| 9 | N/A | Control Box Wire Harness Assembly | Nonreversing; 1 Phase |
| | M411073 | Control Box Wire Harness Assembly | Nonreversing; 3 Phase |
| | N/A | Control Box Wire Harness Assembly | Reversing; 3 Phase |
| 10 | N/A | Battery | |
| 11 | N/A | Clamp | |
| 12 | N/A | Screw | |
| 13 | M400945 | Toggle Switch | Reversing |
| | M413270 | Rocker Switch | Reversing |
| 14 | N/A | Switch Plate | |
| | M413236 | Switch Plate | Reversing; 50 pound models |
| 15 | M400664 | Screw | |

N/A = Part no longer available

OPL 24 Volt Micro Control

OM Control Suffix



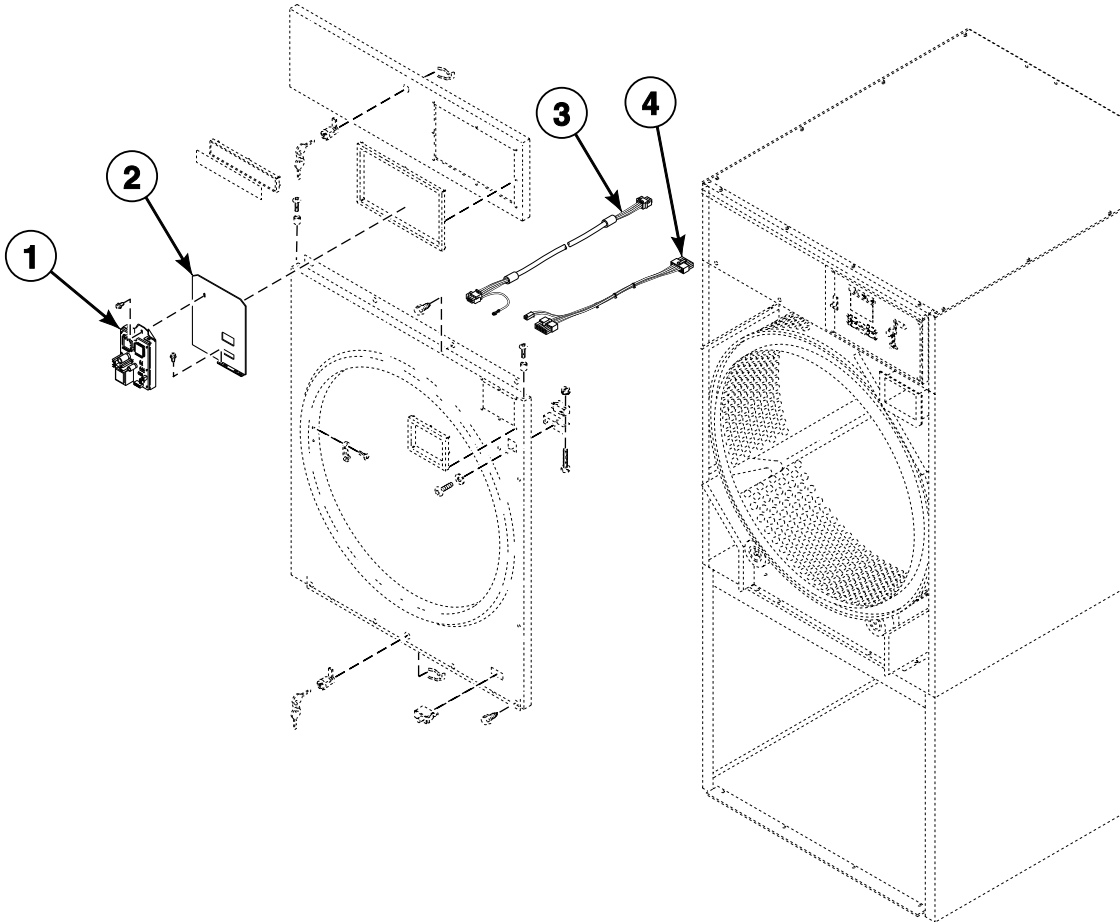
TMB2476P_70410801

OPL 24 Volt Micro Control

| REF | PART NO. | DESCRIPTION | COMMENTS |
|-----|-----------|--------------------------------|--|
| | M414368P | Membrane Switch | |
| 1 | M413676P | Main Harness Assembly | DT, JT, ST and TKD models |
| 2 | 430497 | Screw | |
| 3 | 70054 | Nut | |
| 4 | M413678P | Control Box Harness Assembly | 634 models |
| 5 | 44098801 | Main Harness | 75 pound DC, JC and SC models |
| 6 | M413993 | Control Box Harness Assembly | DC, JC and SC gas models; 50 Hertz/1 Phase |
| 7 | M413417 | Microprocessor Overlay | STB models; Nonreversing |
| | N/A | Microprocessor Overlay | STB models; Reversing |
| | 70115801 | Overlay | SC, SCB and ST models; Nonreversing |
| | 70128401 | Overlay | SC, SCB and ST models; Reversing |
| | N/A | Microprocessor Overlay | JTB models; Nonreversing |
| | N/A | Microprocessor Overlay | JTB models; Reversing |
| | M413425 | Microprocessor Overlay | DT models; Nonreversing |
| | M413426 | Microprocessor Overlay | DT models; Reversing |
| | N/A | Microprocessor Overlay | DC models; Nonreversing; Icon |
| | N/A | Microprocessor Overlay | DC models; Reversing; Icon |
| | M413423 | Microprocessor Overlay | JCB models; Nonreversing; Icon |
| | N/A | Microprocessor Overlay | JCB models; Reversing; Icon |
| 8 | N/A | Control Panel Harness Assembly | DC, JC and SC models; Reversing |
| 9 | N/A | Hole Plug | |
| 10 | N/A | Hinge | Male |
| 11 | M413738 | Micro Mounting Assembly | Includes hinge, plate and hardware |
| 12 | 70228401P | Control Kit | 24 Volt; 50 or 60 Hertz |
| 13 | M413679 | Control Box Harness Assembly | Steam models |
| 14 | M414104 | Fuse | 50 pound models; 2 Amp; Located on back of control |
| | 70406501 | Fuse | 75 pound models; 1.25 Amp |
| 15 | M413168 | Bypass Harness Assembly | CG, CSH, CSL and electric models; Reversing |
| 16 | M412645 | Jumper Wire Assembly | Ground |
| 17 | M413677 | Micro Harness Assembly | |
| 18 | M413824 | Control Box Harness Assembly | Gas models; Australian |
| 19 | M413559P | Sensor Cable Harness | 50 pound models; Nonreversing |
| | N/A | Sensor Cable Harness Assembly | 50 pound models; Reversing |
| | 44342602P | Sensor Cable Harness | 75 pound models; Nonreversing |
| | N/A | Sensor Cable Harness Assembly | 75 pound models; Reversing |
| 20 | M413680 | Control Box Harness Assembly | Electric models; Stove limit and fuse holder to main harness |

N/A = Part no longer available

Network Board for NetMaster Models

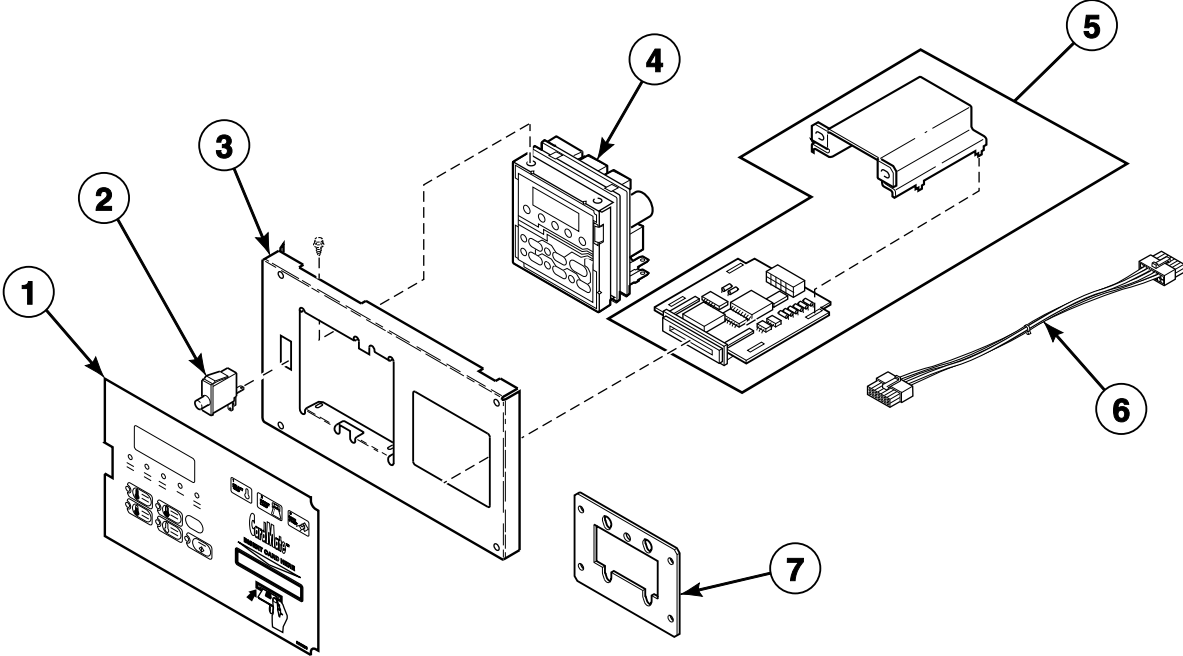


TMB2508P_70410801

Network Board for NetMaster Models

| REF | PART NO. | DESCRIPTION | COMMENTS |
|-----|----------|-------------------------------|----------|
| 1 | 210016P | Network Board Assembly | |
| 2 | 70201401 | Network Plug Support | |
| 3 | M414875P | Communication Cable | Network |
| 4 | 800217 | Network Wire Harness Assembly | |

Card Reader for NetMaster Models



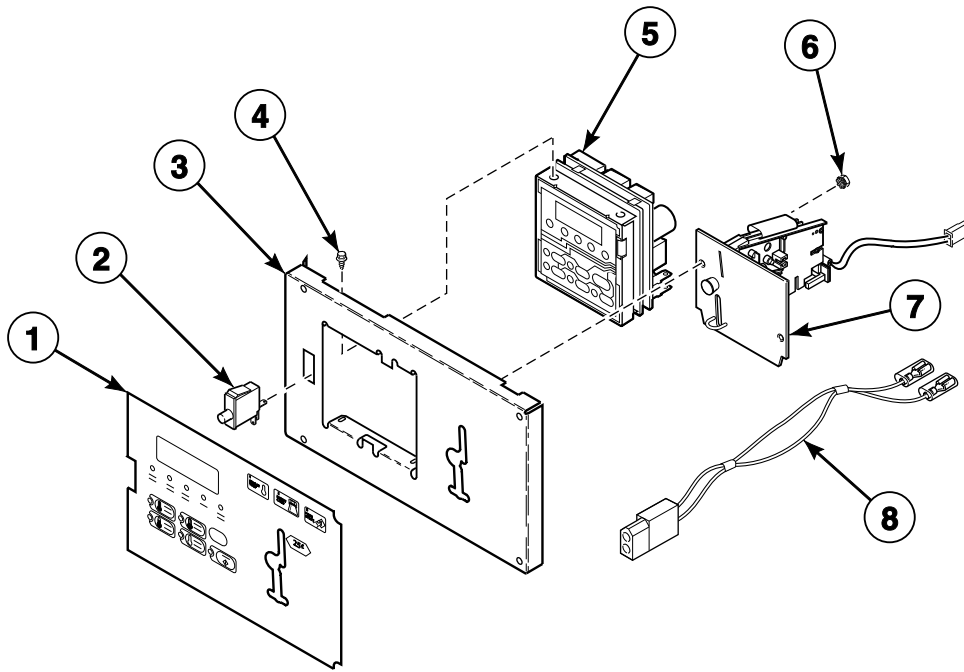
TMB2509P_70410801

Card Reader for NetMaster Models

| REF | PART NO. | DESCRIPTION | COMMENTS |
|-----|----------|---|------------------------------|
| 1 | N/A | Overlay | ST models; Card reader ready |
| | 70184401 | Overlay | ST models; Card reader |
| | N/A | Overlay | JT models; Card reader |
| | N/A | Overlay | JT models; Card reader ready |
| 2 | 70413301 | Pushbutton Switch | |
| 3 | N/A | Control Plate Assembly | Card reader |
| | 70348801 | Control Plate Assembly | Card ready |
| 4 | D505905P | Control Kit | Electronic |
| 5 | D510068P | Card Reader and Bracket Assembly | |
| 6 | 70206601 | Card Reader Network Harness Assembly | |
| | 70211801 | Card Reader Harness Assembly | |
| 7 | 70208801 | Mounting Plate | |

N/A = Part no longer available

Coin Drop for NetMaster Models

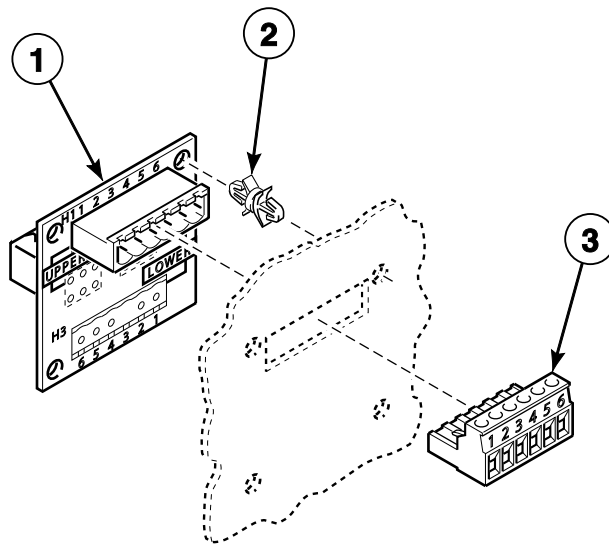


TMB2510P_70410801

Coin Drop for NetMaster Models

| REF | PART NO. | DESCRIPTION | COMMENTS |
|-----|-----------|-----------------------------|----------------------------------|
| | M4686P3 | Electronic Coin Control Kit | DT, JT, ST and T models |
| 1 | 70184301 | Overlay | ST models; English; Single drop |
| | 70184302 | Overlay | ST models; Dual drop |
| | 70239601 | Overlay | JT models; Single drop |
| | 70239602 | Overlay | JT models; Dual drop |
| 2 | 70413301 | Pushbutton Switch | |
| 3 | 70175807 | Control Plate Assembly | |
| 4 | D501524 | Screw | |
| 5 | D505905P | Control Kit | Electronic |
| 6 | 70054 | Nut | |
| 7 | 70256402P | Coin Drop | USA; Dual drop; \$.25 and \$1.00 |
| | 70441601P | Coin Drop | USA; \$.25 |
| | 38475 | Coin Drop Assembly | Japan; 100 yen |
| | 38519 | Coin Drop Assembly | Japan |
| 8 | M414305P | Coin Vault Jumper Wire | Coin and coin ready |

Network Interface Board for NetMaster Models

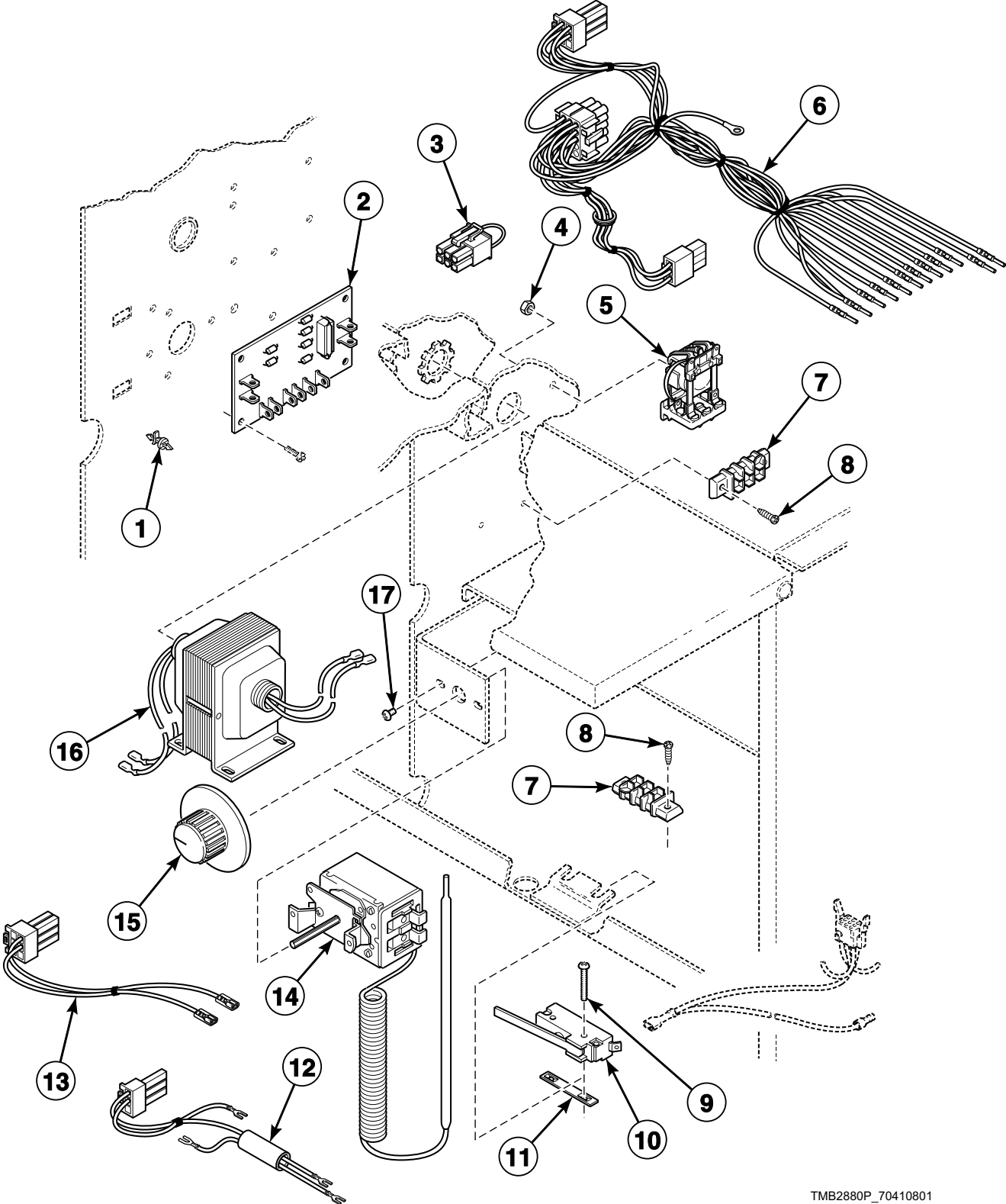


TMB1935P_70410801

Network Interface Board for NetMaster Models

| REF | PART NO. | DESCRIPTION | COMMENTS |
|----------|----------|--------------------------|------------------------|
| | 210157P | Network Board | For desktop PC |
| | 210165 | Network Cable | For laptop PC |
| | 210097 | Communication Board | |
| 1 | 210095P | Communication Board | |
| 2 | 210098 | PC Board Standoff | 4 required per machine |
| 3 | 210155 | 3 Circuit Data Connector | |

Front Control Box Components



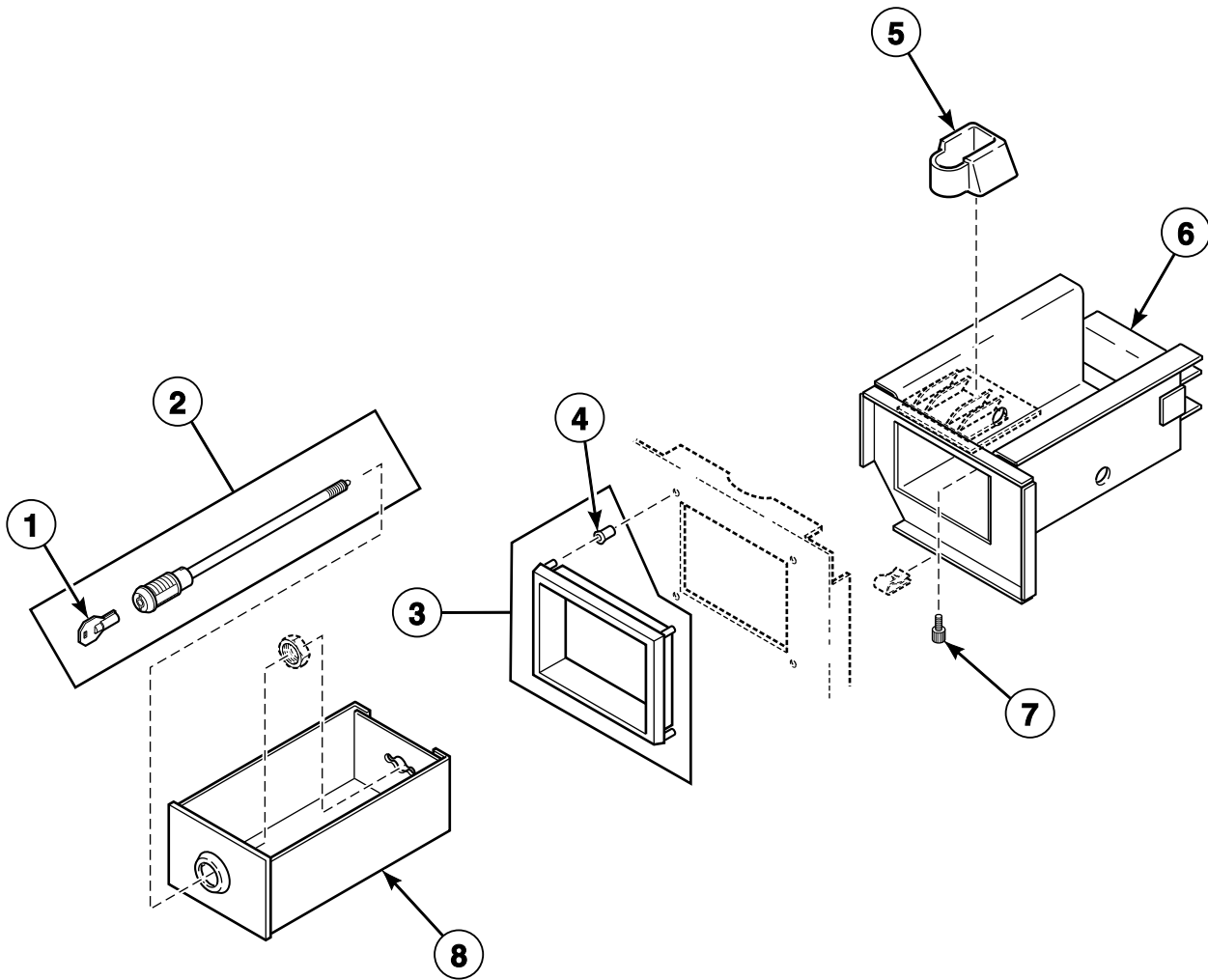
TMB2880P_70410801

Front Control Box Components

| REF | PART NO. | DESCRIPTION | COMMENTS |
|-----|----------|--------------------------------|---|
| 1 | M405979 | Circuit Board Support | Gas models; White Rogers glow bar ignition |
| 2 | M405897P | Diode Logic Board | Gas models; White Rogers glow bar ignition |
| 3 | M413168 | Bypass Harness Assembly | CG, CSH, CSL and electric models; OM control suffix |
| 4 | 02788 | Nut | Gas models; Johnson glow bar ignition |
| 5 | N/A | Relay | Gas models; Johnson glow bar ignition |
| 6 | M413546 | Main Harness Assembly | 75 pound DC, JC and SC steam models |
| 7 | N/A | Terminal Block | |
| 8 | M400071 | Screw | |
| 9 | Q6516 | Screw | |
| 10 | M400952 | Door Switch | |
| 11 | M400981 | Nut | |
| 12 | M412459 | Door Switch Harness Assembly | 75 pound DC, JC and SC models |
| 13 | N/A | Thermostat Harness Assembly | 75 pound DC, JC and SC steam models; Manual timer and mechanical coin drop with bulb thermostat; 50 Hertz |
| 14 | M400780P | Temperature Control Thermostat | 50 pound models; Adjustable |
| | M406959P | Temperature Control Thermostat | 75 pound models; Adjustable |
| 15 | M400777 | Knob | DT and ST models; Black |
| | N/A | Temperature Control Knob | JT models; Brown |
| 16 | M401199P | Transformer Kit | 120 Volt Primary/24 Volt Secondary |
| | M401391P | Transformer | 208-600 Volt Primary/110 Volt Secondary |
| | M402650P | Transformer | 208-240 Volt Primary/24 Volt Secondary |
| 17 | M400072 | Screw | |

N/A = Part no longer available

Coin Vault and Coin Drawer



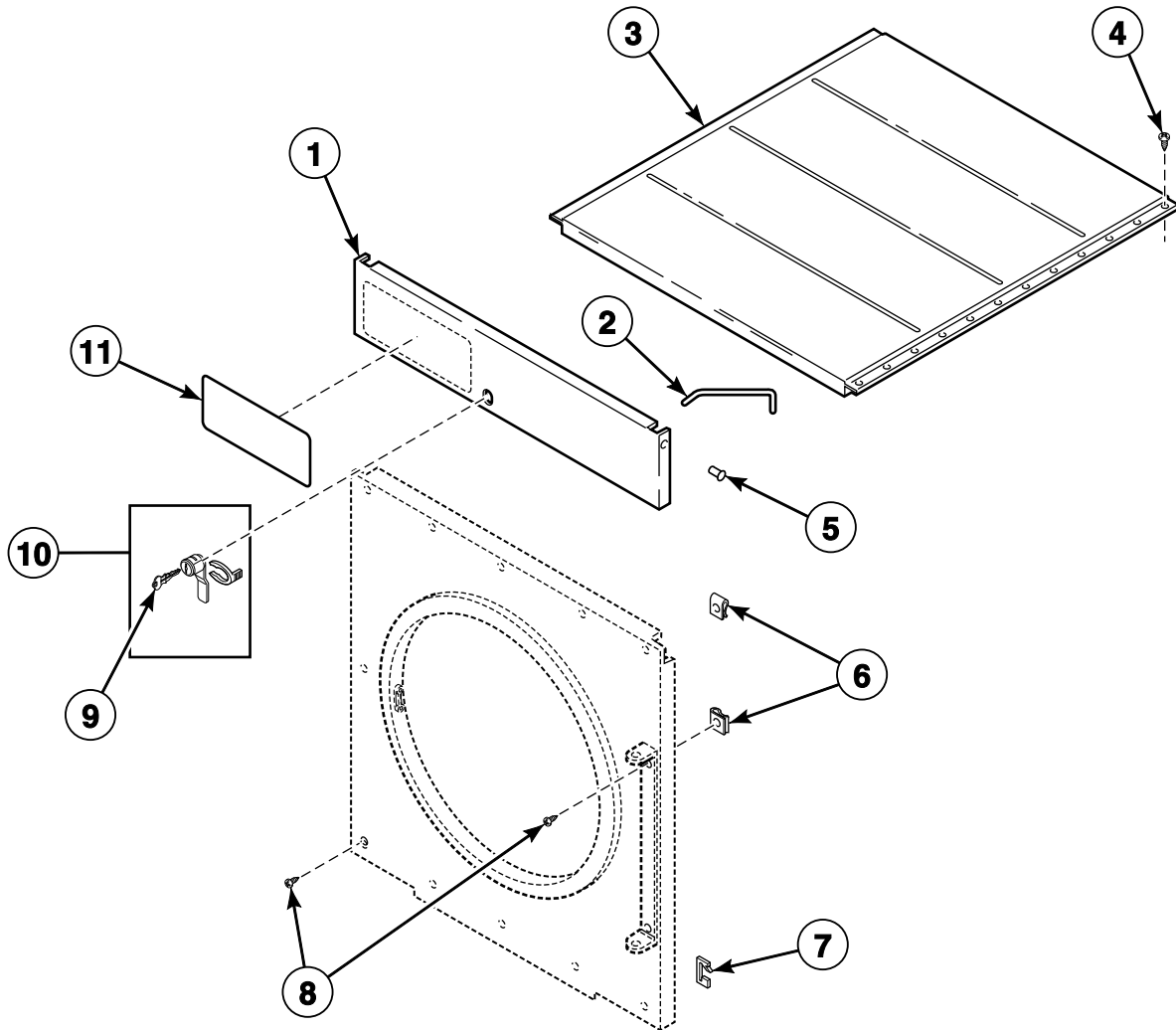
TMB2130P_70410801

Coin Vault and Coin Drawer

| REF | PART NO. | DESCRIPTION | COMMENTS |
|-----|----------|---------------------------|--|
| 1 | M401701 | Vault Key | Specify HMX key code; For coin drawer locks |
| 2 | M401581P | Lock and Key | Specify HMX key code; For short coin drawer |
| | N/A | Vault Lock | Specify HMX key code; For long coin drawer; Includes key |
| 3 | M400131P | Shadow Box and Clip | Coin drawer |
| 4 | M400972 | Shadow Box Clip | |
| 5 | N/A | Coin Chute | |
| 6 | N/A | Coin Vault Guide Assembly | Short drawer; Models through Serial No. 9312xxxx |
| | 44102801 | Coin Vault Assembly | Long drawer; Models starting Serial No. 9401xxxx |
| 7 | N/A | Screw | |
| 8 | N/A | Coin Drawer Assembly | Short |
| | N/A | Coin Drawer Assembly | Long |

N/A = Part no longer available

Access Panel and Top Cover



TMB2478P_70410801

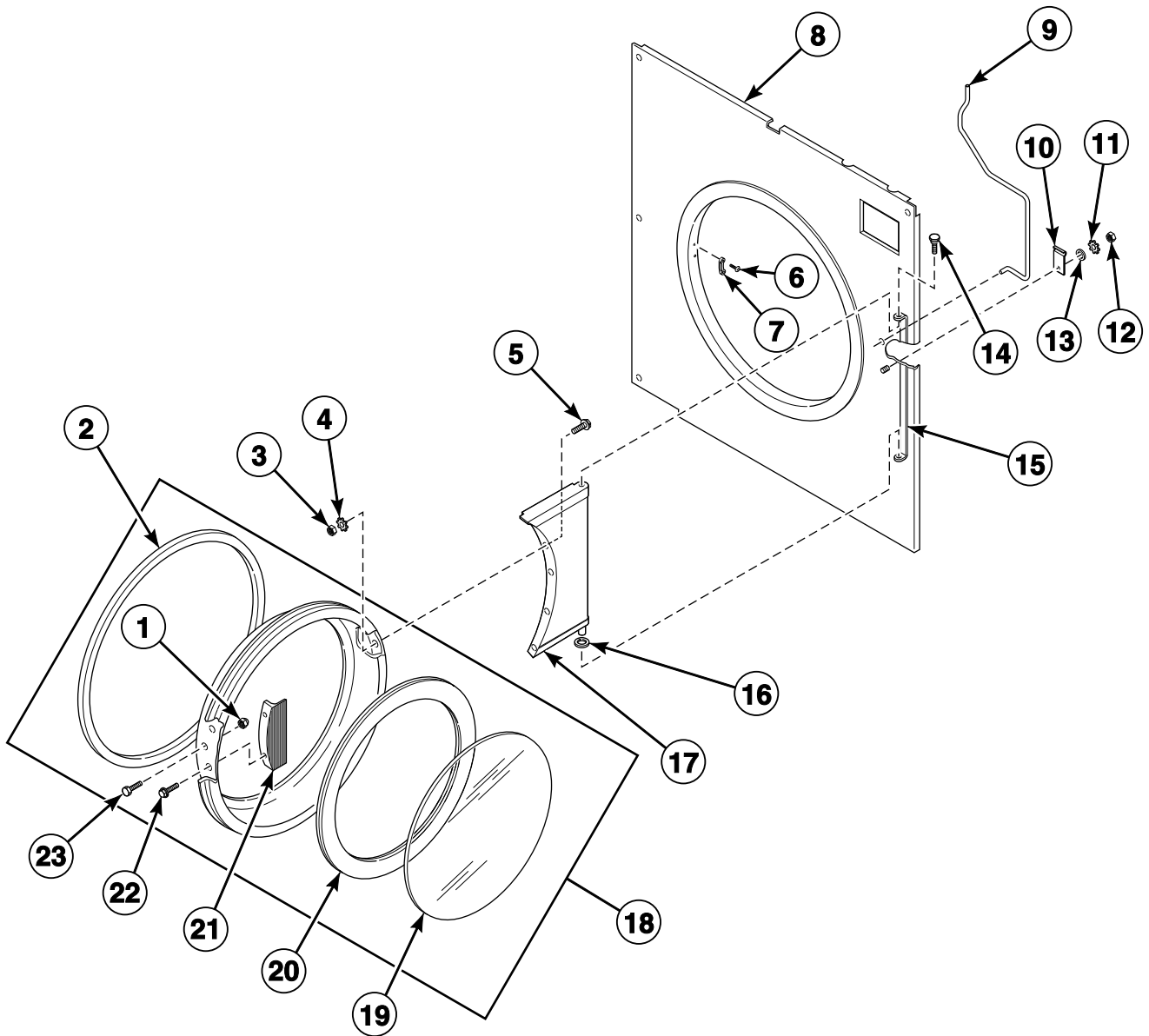
Access Panel and Top Cover

| REF | PART NO. | DESCRIPTION | COMMENTS |
|-----|-----------|--------------------------|---|
| | 431287 | Screw | Side panel; 7 per side |
| 1 | M414350 | Top Front Panel | Manual dual timer and coin meter; Stainless steel |
| | M414349*P | Top Front Panel Assembly | DC, JC and SC electric and steam models; Manual dual timer and coin meter |
| | M410801*P | Top Front Access Panel | MM and OM control suffixes |
| | M410802 | Top Front Access Panel | MM and OM control suffixes; Stainless steel |
| | N/A | Top Front Panel | DC, JC and SC gas models |
| 2 | N/A | Support Rod | |
| 3 | N/A | Top Cover Panel | 50 pound models |
| | M403385 | Top Cover Panel | 75 pound models |
| 4 | 430497 | Screw | |
| 5 | M400713 | Drive Rivet | |
| 6 | M400984 | Clip | |
| 7 | N/A | Clip | |
| 8 | N/A | Screw | |
| 9 | M401680 | Panel Key | HMV10 |
| | M401677 | Panel Key | HMV7 |
| 10 | M406654P | Panel Lock | |
| 11 | M410355 | Nameplate | ST models; Microprocessor |
| | N/A | Nameplate | JT models; Microprocessor |
| | M412963 | Nameplate Overlay | DT models; Microprocessor |

* Add Letter To Designate Color. L - Almond W - White

N/A = Part no longer available

Front Panel and Door



TMB2256P_70410801

Front Panel and Door

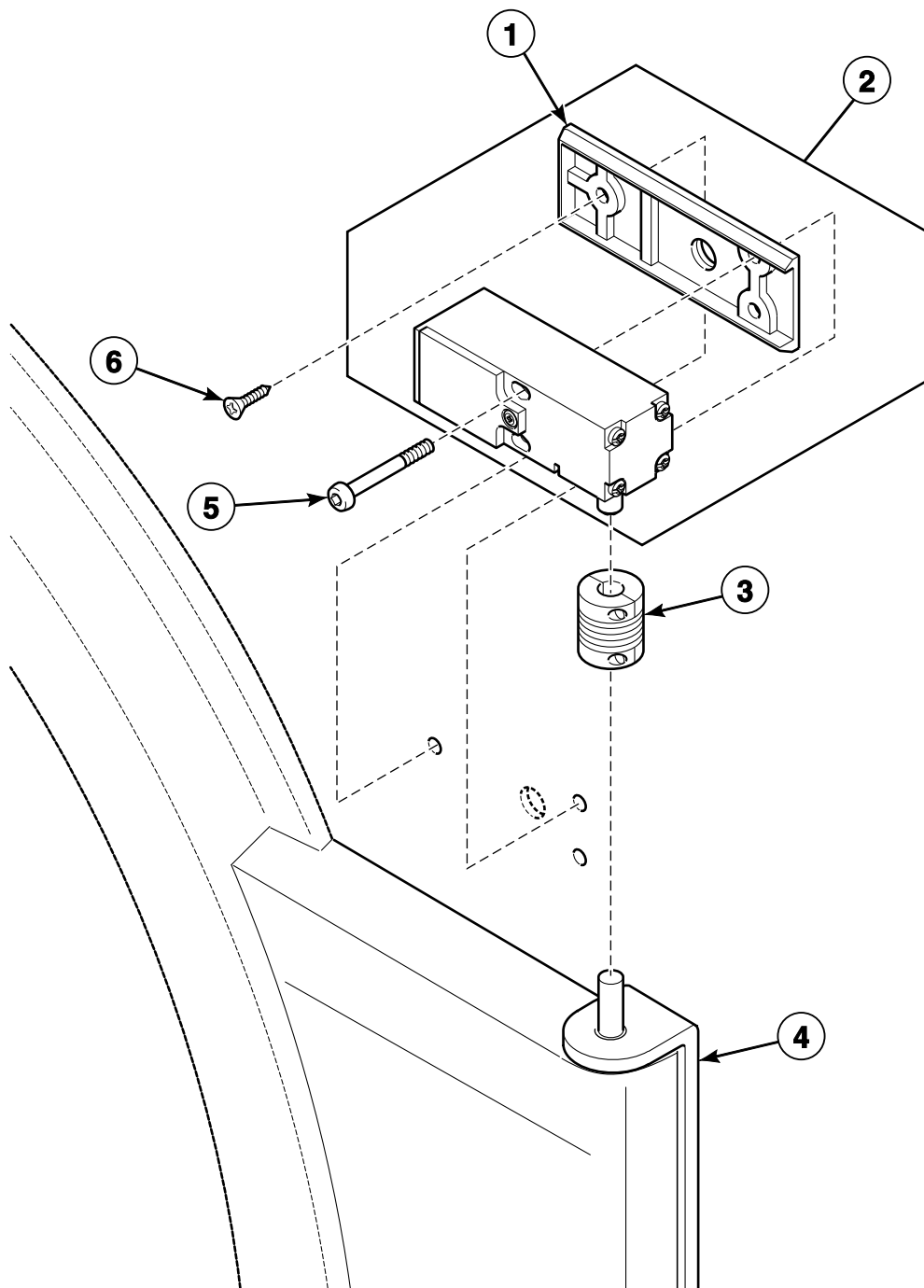
| REF | PART NO. | DESCRIPTION | COMMENTS |
|-----|-----------|-----------------------------|---|
| | M4379P4 | Tumbler Dolly Kit | |
| | 70482901 | Door Catch Kit | |
| 1 | M414215 | Nut | For M400447 Door Assembly and M410887 Door Assembly |
| 2 | M406129 | Door Ring Gasket | |
| 3 | Q6163 | Nut | |
| 4 | 03815 | Washer | |
| 5 | M400044 | Screw | |
| 6 | M400003 | Pop Rivet | |
| 7 | M401223 | Door Latch | |
| 8 | M411129*P | Front Panel Assembly | OPL |
| | M411132P | Front Panel Assembly | OPL; Stainless steel |
| | M412792*P | Front Panel Assembly | DC, JC and SC models |
| | M410758LP | Front Panel Assembly | Coin; 50 pound models |
| | M410877*P | Front Panel Assembly | Coin |
| | N/A | Front Panel Assembly | Coin; Stainless steel |
| 9 | M400603 | Door Switch Rod | |
| 10 | M400402 | Spring Clip | |
| 11 | M400017 | Washer | |
| 12 | 20275 | Nut | |
| 13 | 03189 | Washer | |
| 14 | M400653 | Hinge Pin | |
| 15 | 431000* | Hinge Bracket | |
| | 431044 | Hinge Bracket | Stainless steel |
| 16 | M400675 | Washer | |
| | M412530 | Washer | DC, JC and SC models |
| 17 | M402714* | Door Hinge Assembly | |
| | M400514 | Hinge Assembly | Stainless steel |
| | N/A | Door Hinge Assembly | DC, JC and SC models |
| 18 | M400447P | Door Assembly | Chrome handle |
| | M410887 | Door Assembly | J models; Cocoa handle |
| | 430475 | Door Assembly | D, JCB and ST models; Bar handle |
| 19 | M400784P | Door Glass | DT and ST models |
| | 70133601P | Door Glass | JT models; For M410887 Door Assembly |
| 20 | 70211901P | Door Glass Seal Kit | |
| 21 | M400133 | Door Handle | Chrome |
| | 430117 | Door Handle | DT and ST models; Bar type |
| | 70133501P | Replacement Door Handle Kit | JT models; Cocoa |
| 22 | M409385 | Screw | |
| 23 | M400661 | Screw | Door strike |

* Add Letter To Designate Color. L - Almond W - White

N/A = Part no longer available

Door Switch

DC, JC and SC Models



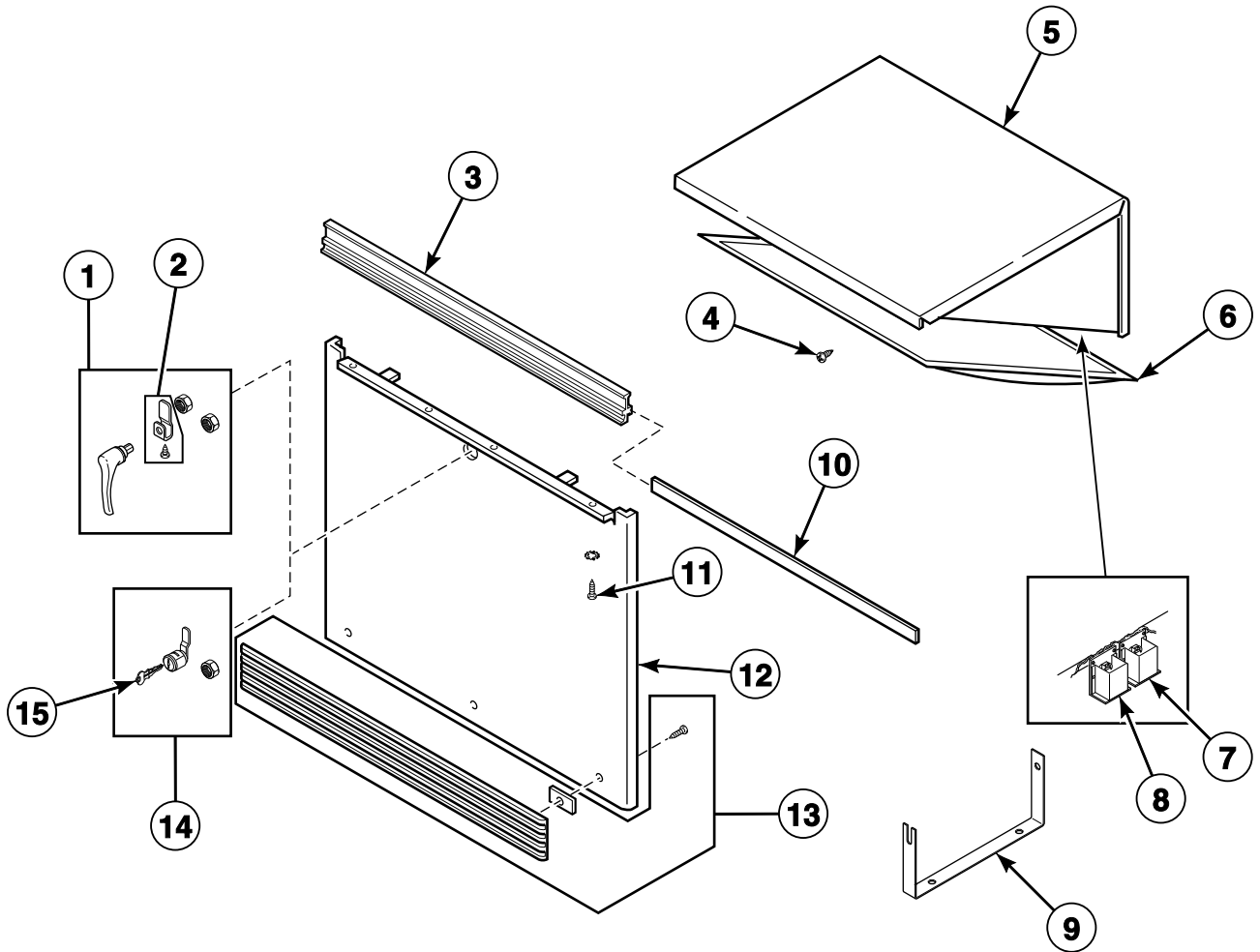
TMB2257P_70410801

Door Switch

| REF | PART NO. | DESCRIPTION | COMMENTS |
|-----|----------|------------------------|-----------------|
| 1 | M412528 | Switch Base | |
| 2 | M4842P3 | Door Safety Switch Kit | Includes item 1 |
| 3 | M412551 | Flexible Coupler | |
| 4 | N/A | Door Hinge Assembly | |
| 5 | N/A | Screw | |
| 6 | M412531 | Screw | |

N/A = Part no longer available

Panels, Lint Hood Assembly and Lint Screen



TMB2503P_70410801

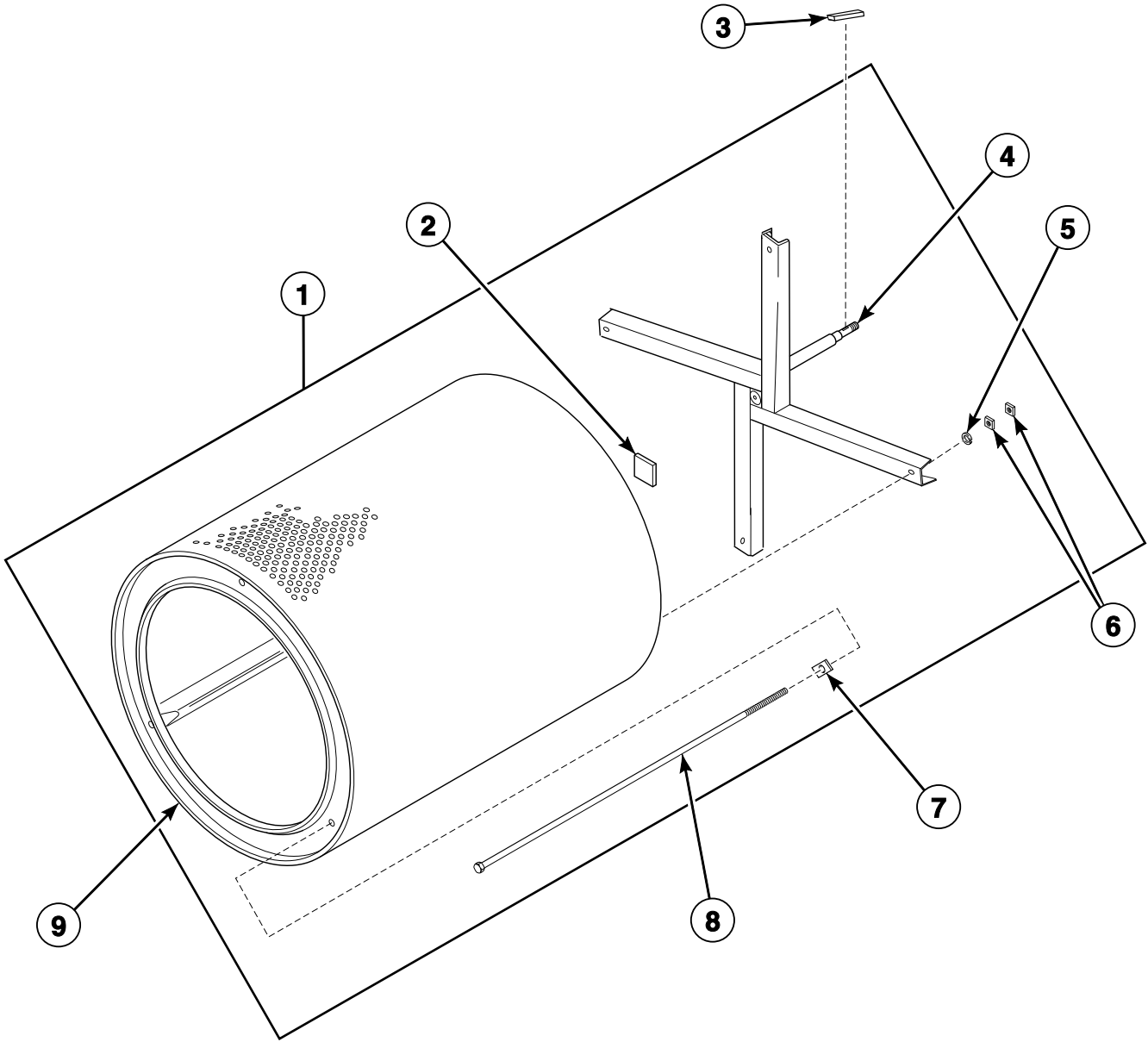
Panels, Lint Hood Assembly and Lint Screen

| REF | PART NO. | DESCRIPTION | COMMENTS |
|-----|-----------|-------------------------|---|
| 1 | M410243P | Handle and Cam Assembly | MT and OM control suffixes |
| 2 | M400595 | Cam and Screw | MT and OM control suffixes; Use with handles prior to 4/10/13 |
| 3 | N/A | Bumper Assembly | Models through Serial No. 729580ZJ; Includes 4 of M400657 Screw and 4 of 03815 Washer; Chrome |
| | N/A | Lint Panel Bumper | Models starting Serial No. 729581ZJ; Black |
| | N/A | Lint Panel Bumper | JT models; Cocoa |
| 4 | 430757 | Screw | 50 pound models |
| | M400664 | Screw | 75 pound models |
| 5 | M400515 | Lint Hood Assembly | |
| 6 | M400522 | Lint Screen Assembly | |
| 7 | M414704 | Thermistor | 50 pound models; MM and OM control suffixes |
| | M410542 | Limit Thermostat | 75 pound models except EG; Attach to center pan above head |
| 8 | M410542 | Limit Thermostat | 50 pound CG models |
| | M411813 | Limit Thermostat | 50 pound electric models |
| | D510523 | Thermistor Assembly | 75 pound models; MM and MT control suffixes |
| | M414704 | Thermistor | 75 pound models; OM control suffix; Threads into bracket; Attach to center pan above head |
| | M413212P | Thermistor Assembly | 75 pound models; Replacement for early screw mounted thermistor |
| 9 | M401312 | Thermostat Bracket | |
| 10 | N/A | Bumper Insert Trim | |
| 11 | 430757 | Screw | 4 required for M410784 Lint Panel Bumper; Models starting Serial No. 72958123 |
| 12 | M400464LP | Lint Panel Assembly | Plain; Models through Serial No. 729580ZJ; 634 models require 2 lint panel handles |
| | M402722LP | Lint Panel Assembly | Textured; Models through Serial No. 729580ZJ; 634 models require 2 lint panel handles |
| | M405646 | Lint Panel Assembly | Stainless steel; Models through Serial No. 729580ZJ; 634 models require 2 lint panel handles |
| | M414796*P | Lint Panel Assembly | DT, JT and STB models; Models starting Serial No. 729581ZJ |
| | N/A | Lint Panel Assembly | Stainless steel; DT, JT and STB models; Models starting Serial No. 729581ZJ |
| | M414798*P | Lint Panel Assembly | FG and 634 models; 2 lint panel handles |
| | M414799P | Lint Panel Assembly | Stainless steel; FG and 634 models; 2 lint panel handles |
| | | | |
| 13 | M414438P | Kickplate Kit | Includes screws and nuts |
| 14 | M406654P | Panel Lock | HMV10; Includes key; 634 models requires 2 locks |
| 15 | M401680 | Panel Key | HMV10 |

* Add Letter To Designate Color. L - Almond W - White

N/A = Part no longer available

Cylinder and Trunnion Assemblies

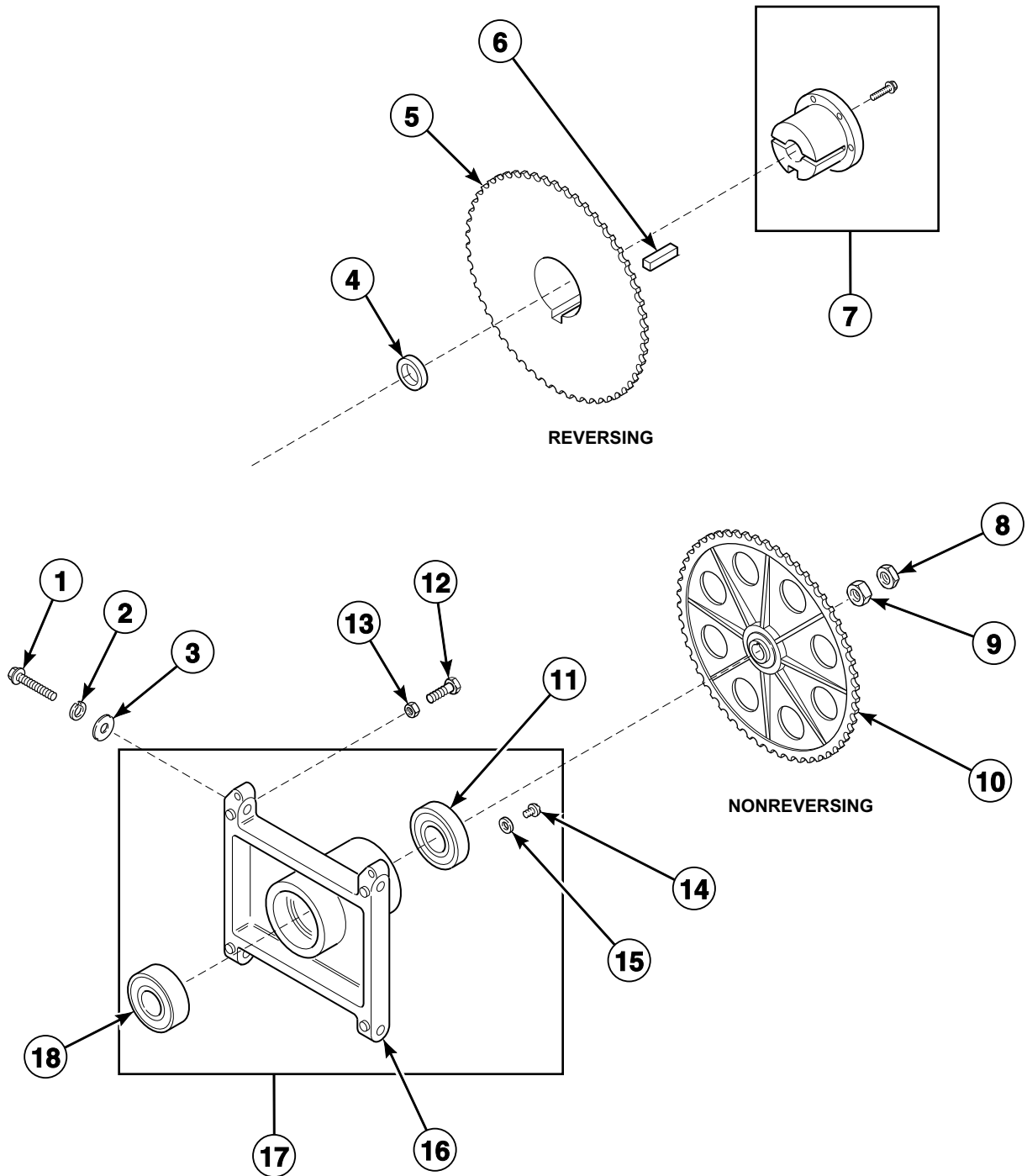


TMB1807B_70410801

Cylinder and Trunnion Assemblies

| REF | PART NO. | DESCRIPTION | COMMENTS |
|----------|-----------|--|--|
| | M4819P3 | Cylinder, Trunnion and Bearing Housing Kit | 50 pound models; Nonreversing |
| | M4820P3 | Cylinder, Trunnion and Bearing Housing Kit | 50 pound models; Nonreversing; Stainless steel |
| | M4821P3 | Cylinder, Trunnion and Bearing Housing Kit | 50 pound models; Reversing |
| | M4638P3 | Trunnion and Bearing Assembly | 50 pound models; Nonreversing |
| | M4639P3 | Trunnion and Bearing Assembly | 50 pound models; Reversing |
| | M4640P3 | Trunnion and Bearing Assembly | 75 pound models except DTB634 and STB634; Nonreversing; Anti-fretting; Includes bearings, trunnion and anti-seize compound |
| | M4641P3 | Trunnion and Bearing Assembly | 75 pound models; Reversing; Anti-fretting; Includes bearings, trunnion and anti-seize compound |
| 1 | 44068901P | Cylinder and Trunnion Assembly | 50 pound models; Nonreversing |
| | 44069001 | Cylinder and Trunnion Assembly | 50 pound models; Nonreversing; Stainless steel |
| | 44037101 | Cylinder and Trunnion Assembly | 50 pound models; Reversing |
| | 44037201 | Cylinder and Trunnion Assembly | 50 pound models; Reversing; Stainless steel |
| | M406906P | Cylinder and Trunnion Assembly | 75 pound models; Nonreversing |
| | M409090P | Cylinder and Trunnion Assembly | 75 pound models; Reversing |
| | M409015P | Cylinder and Trunnion Assembly | 75 pound models; Nonreversing; Stainless steel |
| | M409091 | Cylinder and Trunnion Assembly | 75 pound models; Reversing; Stainless steel |
| 2 | M402144 | Felt Pad | |
| 3 | M400008 | Key | Nonreversing; Half moon |
| | M405232 | Key | Reversing; Straight |
| 4 | M413833P | Trunnion Assembly | 50 pound models; Nonreversing |
| | M413834P | Trunnion Assembly | 50 pound models; Reversing |
| | 44261801 | Trunnion Assembly | 75 pound models; Nonreversing; Includes nuts and key |
| | M413836 | Trunnion Assembly | 75 pound models; Reversing |
| 5 | M400013 | Washer | Nonreversing |
| | M400015 | Washer | Reversing |
| 6 | M401930 | Nut | 50 pound models; Nonreversing; 2 required per rod |
| | M404993 | Nut | 50 pound models; Reversing; 1 required per rod |
| | M404993 | Nut | 75 pound models |
| 7 | M401947 | Washer | 50 pound models; Nonreversing |
| | M401402 | Spacer | 75 pound models |
| 8 | M400901 | Rib Rod | 50 pound models; Nonreversing |
| | M401411 | Rib Rod | 50 pound models; Reversing |
| | M404992 | Rib Rod | 75 pound models |
| 9 | M400439P | Cylinder | 50 pound models; Nonreversing |
| | M400440P | Cylinder | 50 pound models; Nonreversing; Stainless steel |
| | M405009P | Cylinder Assembly | 50 pound models; Reversing |
| | M405365P | Cylinder | 50 pound models; Reversing; Stainless steel |
| | M401985P | Cylinder | 75 pound models; Galvanized |
| | M402517P | Cylinder | 75 pound models; Stainless steel |

Trunnion Housing and Sprockets



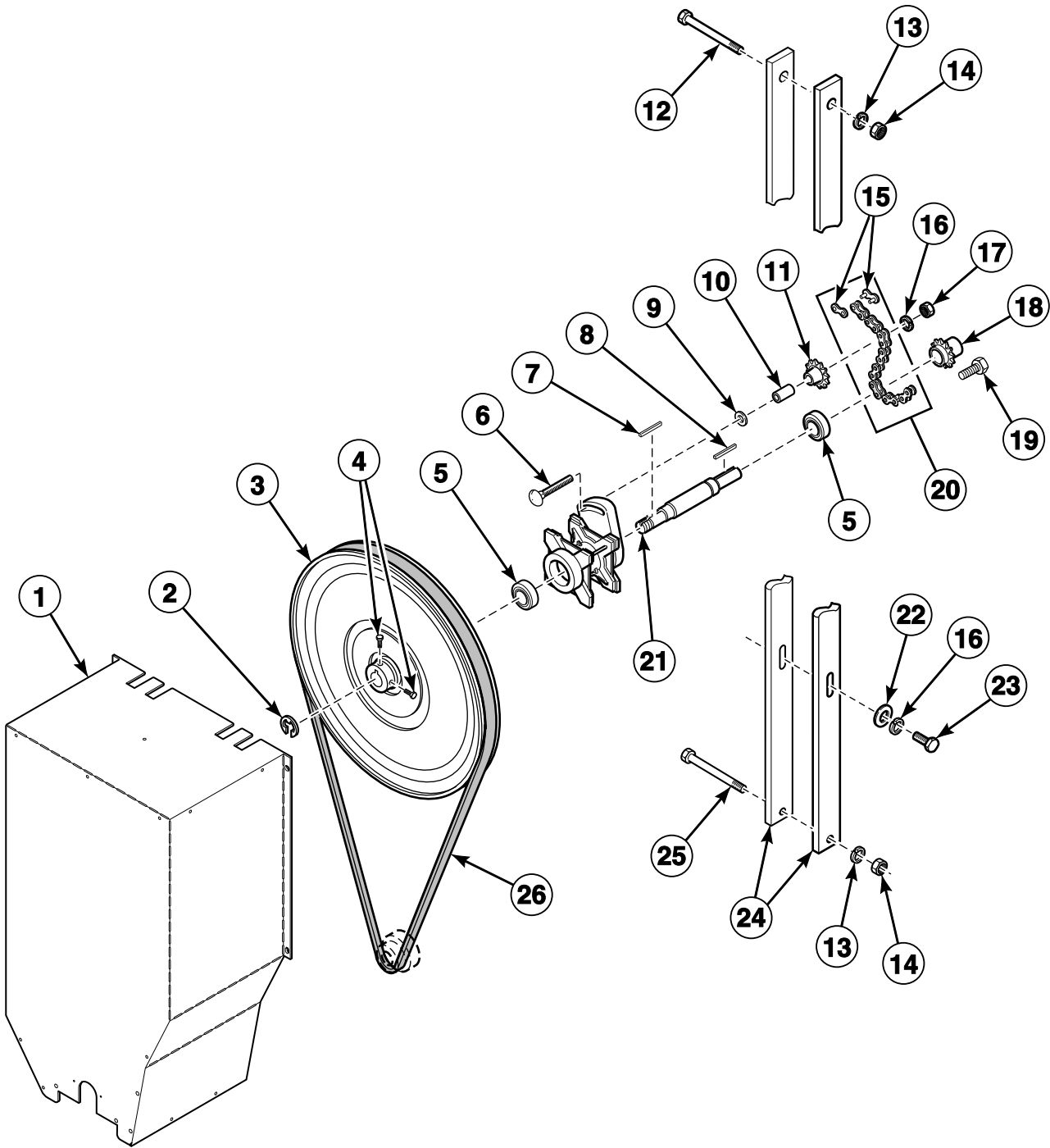
T491P_70410801

Trunnion Housing and Sprockets

| REF | PART NO. | DESCRIPTION | COMMENTS |
|-----|-----------|-------------------------------|---|
| | BDK5075R | Belt Drive Conversion Kit | Use to convert machine to a belt/belt drive |
| 1 | M400063 | Screw | |
| 2 | M400015 | Washer | |
| 3 | N/A | Washer | |
| 4 | 44024001 | Spacer | Reversing |
| 5 | N/A | Sprocket | Reversing; Order BDK5075R Belt Drive Conversion Kit to replace sprocket |
| 6 | M405232 | Key | Reversing |
| 7 | M403432P | Bushing | For trunnion sprocket; Reversing; Includes screw |
| 8 | M400035 | Nut | Nonreversing |
| 9 | M400033 | Nut | Nonreversing |
| 10 | M400090P | Sprocket | Nonreversing; Includes key |
| 11 | M413921P | Ball Bearing | 50 pound models |
| | F100136P | Bearing | 75 pound models; Outer trunnion |
| 12 | M400650 | Bolt | |
| 13 | 20274 | Nut | |
| 14 | M409385 | Screw | |
| 15 | 20103 | Washer | |
| 16 | N/A | Trunnion Housing Casting | 50 pound models |
| | M413826 | Trunnion Housing | 75 pound models |
| 17 | N/A | Trunnion Housing Assembly | Includes items 11, 14-16 and 18; 50 pound models |
| | M4642P3 | Housing and Trunnion Assembly | Nonreversing; 50 pound models; Includes trunnion |
| | M4643P3 | Housing and Trunnion Assembly | Reversing; 50 pound models; Includes trunnion |
| | M413832 | Trunnion Housing Assembly | 75 pound models |
| 18 | M413922P | Ball Bearing | 50 pound models |
| | 44041901P | Ball Bearing | 75 pound models; Inner trunnion |

N/A = Part no longer available

Idler Drive Components for Nonreversing Belt/Chain Drive

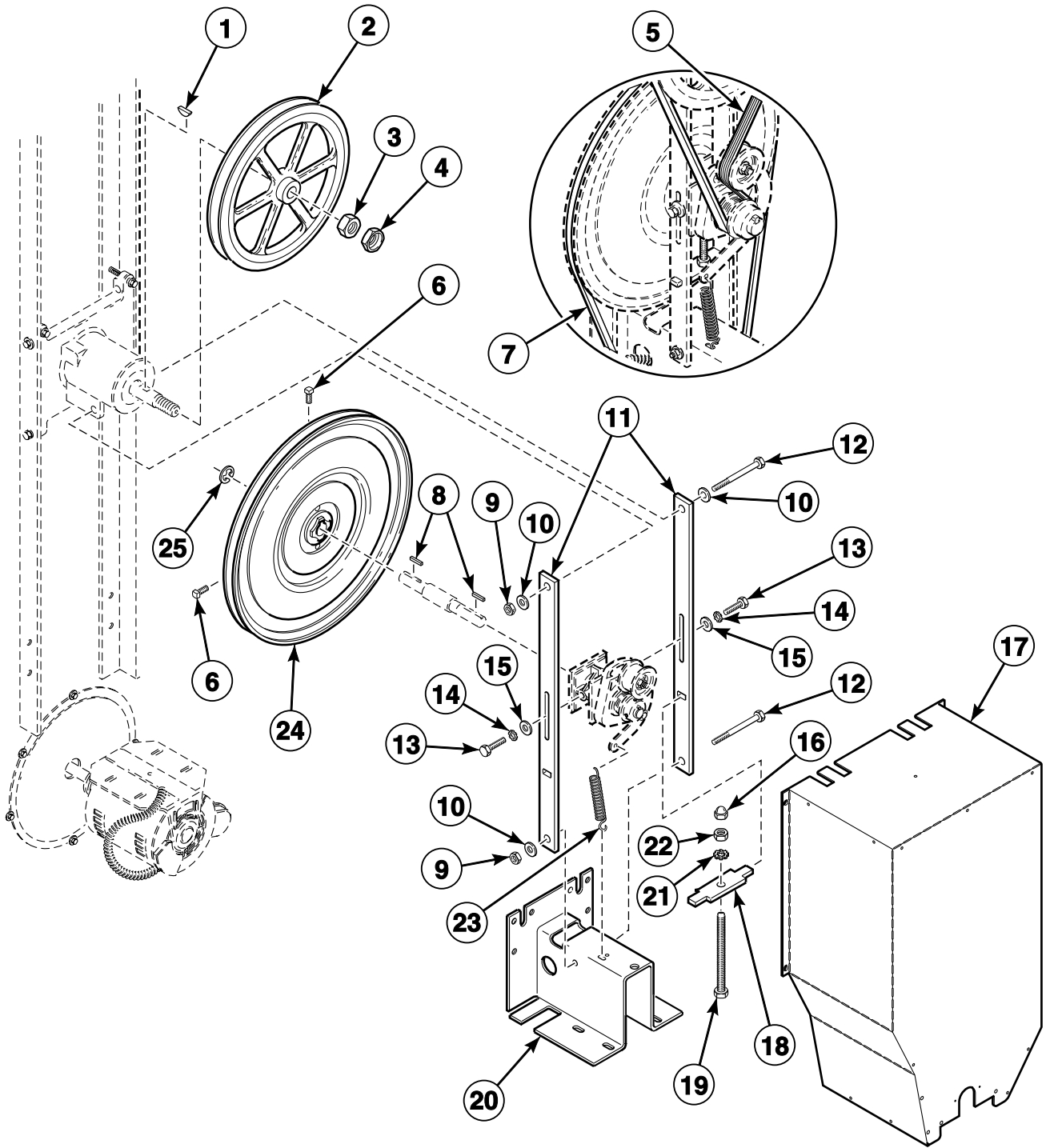


TMB2887P_70410801

Idler Drive Components for Nonreversing Belt/Chain Drive

| REF | PART NO. | DESCRIPTION | COMMENTS |
|-----|-----------|---------------------------|---|
| | BDK5075 | Belt Drive Conversion Kit | Use to convert belt/chain drive machine to belt/belt drive |
| | M4322P3 | Idler Kit | Includes items 6, 10, 11, 16, 17 and 23 |
| 1 | 44132401 | Belt Guard Assembly | 50 pound models except EG; Models through Serial No. 0004xxxxx |
| | 44132405 | Belt Guard Assembly | 75 pound models except EG; Models starting Serial No. 0004xxxxx |
| | M409350 | Chain Guard Assembly | EG models |
| 2 | M400399 | Ring | |
| 3 | 44086901P | Sheave Kit | Includes hardware |
| 4 | M400065 | Screw | |
| 5 | M400592 | Ball Bearing | |
| 6 | M412475 | Bolt | |
| 7 | M401327 | Key | |
| 8 | M400993 | Key | |
| 9 | M400080 | Washer | |
| 10 | M400755P | Chain Sleeve | |
| 11 | M401369P | Chain Sprocket | |
| 12 | M405525 | Screw | |
| 13 | M400013 | Washer | |
| 14 | M400026 | Nut | 50 pound models |
| | 02428 | Nut | 75 pound models |
| 15 | M401360P | Chain Connecting Link | |
| 16 | M400014 | Washer | |
| 17 | M400026 | Nut | |
| 18 | M401365P | Sprocket | |
| 19 | 62541 | Screw | |
| 20 | M401425 | Roller Chain | |
| 21 | M412223P | Idler Shaft | |
| 22 | M400081 | Washer | |
| 23 | M405525 | Screw | |
| 24 | M412476 | Guide Rail | |
| 25 | M405525 | Screw | 50 pound models |
| | M400061 | Screw | 75 pound models |
| 26 | M401182P | Belt | |

Idler Drive Components for Nonreversing Belt/Belt Drive

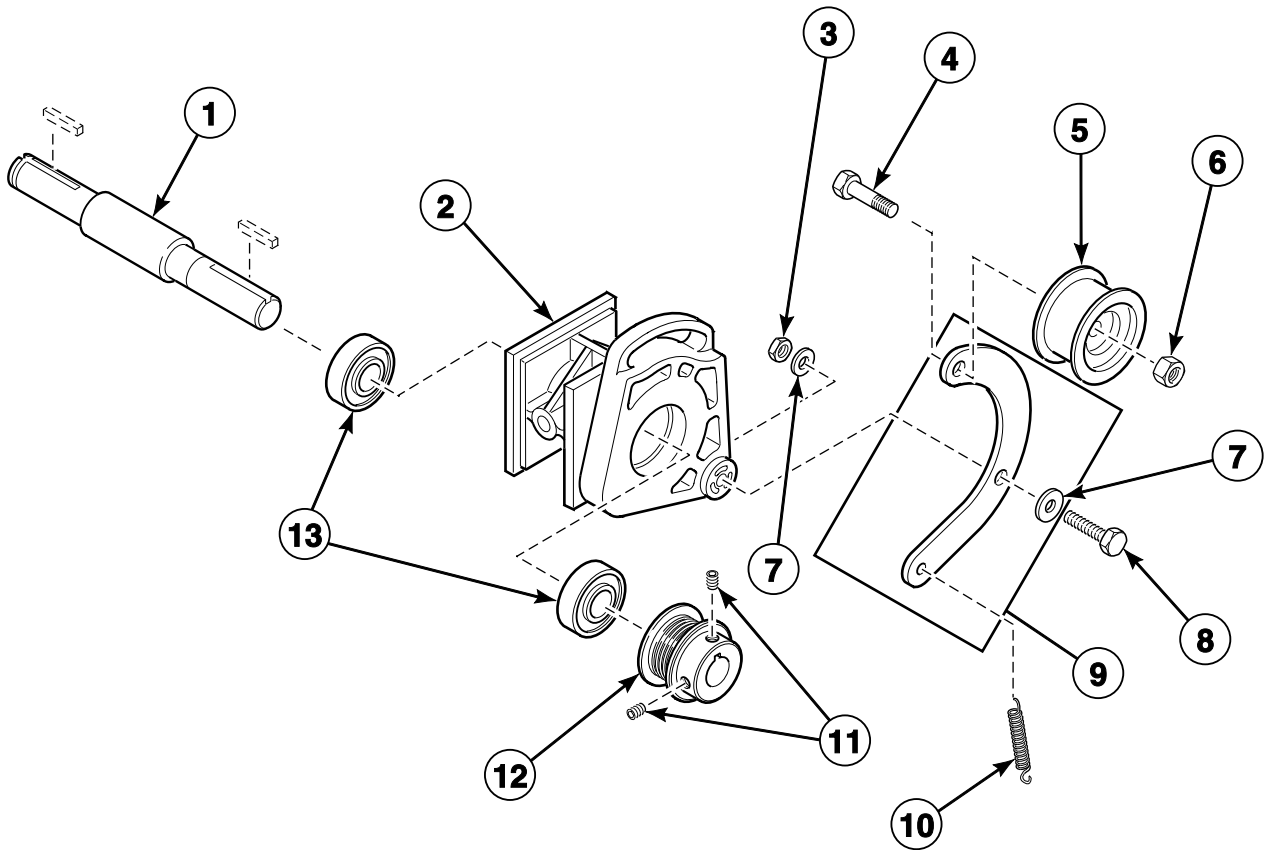


TMB2481P_70410801

Idler Drive Components for Nonreversing Belt/Belt Drive

| REF | PART NO. | DESCRIPTION | COMMENTS |
|-----|-----------|------------------------|--|
| 1 | M400008 | Key | |
| 2 | M412156 | Micro V Sheave | |
| 3 | M400033 | Nut | |
| 4 | M400035 | Nut | |
| 5 | M411425P | Micro V Belt | |
| 6 | M400065 | Screw | |
| 7 | M401182P | Belt | |
| 8 | M401327 | Key | |
| 9 | M400026 | Nut | |
| 10 | M400014 | Washer | |
| 11 | M412476 | Guide Rail | |
| 12 | M405525 | Screw | |
| 13 | M400043 | Screw | |
| 14 | M403958 | Washer | |
| 15 | M400081 | Washer | |
| 16 | M412626 | Nut | |
| 17 | 44132401 | Belt Guard Assembly | 50 pound models except EG; Models through Serial No. 0004xxxxx |
| | 44132405 | Belt Guard Assembly | 75 pound models |
| 18 | M414405 | Tension Plate Assembly | |
| 19 | M412627 | Screw | |
| 20 | M411483 | Motor Bracket | |
| 21 | M412188 | Washer | |
| 22 | M404993 | Nut | |
| 23 | M412120 | Extension Spring | |
| 24 | 44086901P | Sheave Kit | Includes items 6 and 8 |
| 25 | M400399 | Ring | |

Idler Housing Assembly For Nonreversing Belt/Belt Drive

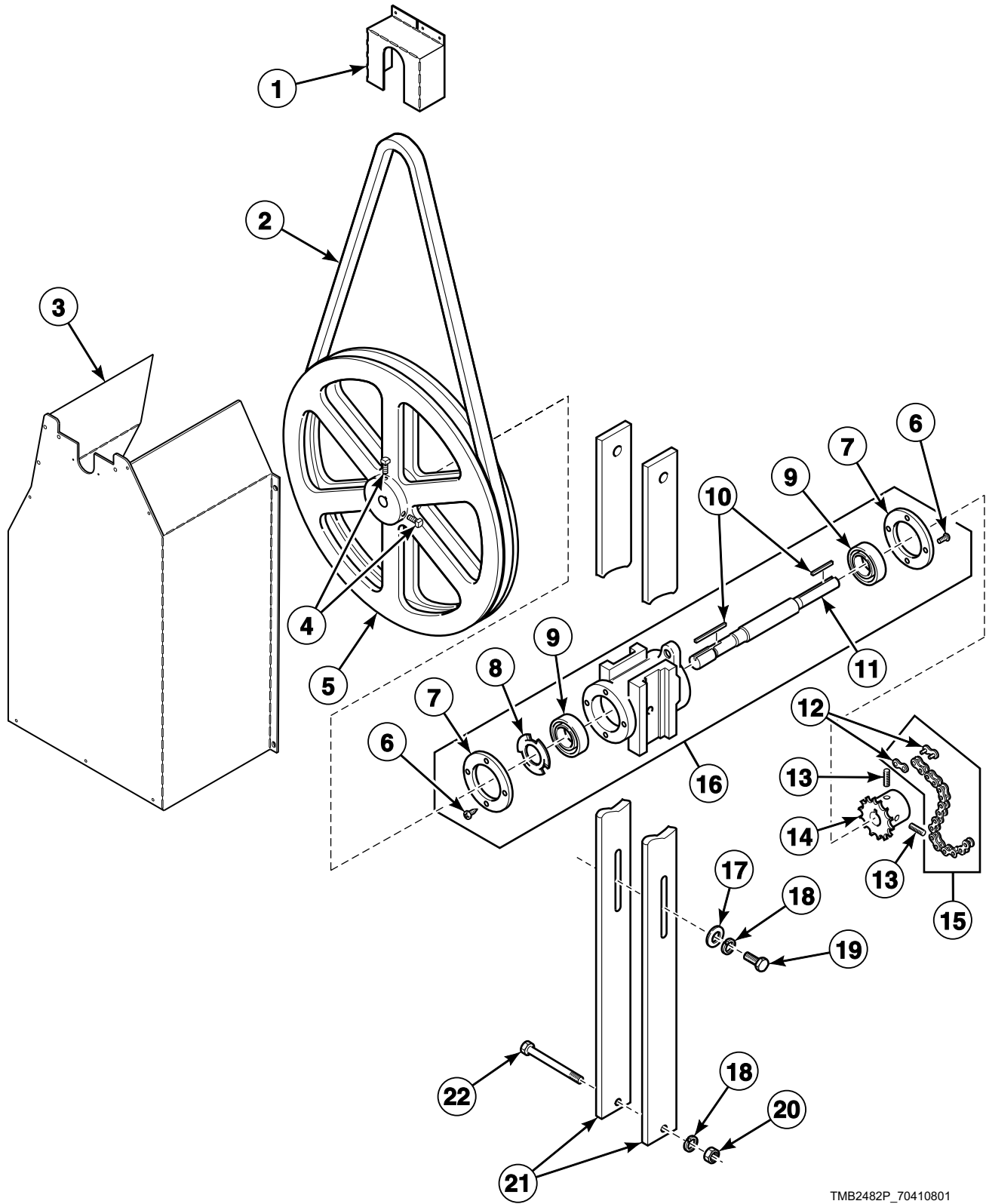


TMB3206P_70410801

Idler Housing Assembly For Nonreversing Belt/Belt Drive

| REF | PART NO. | DESCRIPTION | COMMENTS |
|-----|----------|---------------------------|--|
| 1 | M412223P | Idler Shaft | |
| 2 | 943P3P | Idler Housing Kit | Includes Idler Pivot Plate, 44087201 Nut, 44102701 Idler Arm, 44107101 Idler Housing Assembly, 70265901 Washer, 70321501 Screw and M400056 Screw |
| 3 | 52566 | Nut | |
| 4 | 430648 | Screw | |
| 5 | 430619 | Drum Idler Wheel Assembly | |
| 6 | 56156 | Nut | |
| 7 | M405535 | Washer | |
| 8 | M412119 | Bolt | |
| 9 | M414320P | Idler Arm Kit | For use with machines that have not been converted with 943P3P Idler Housing Kit |
| 10 | M412120 | Extension Spring | |
| 11 | M400077 | Screw | |
| 12 | M411466P | Micro V Pulley | |
| 13 | 70448701 | Support Bearing | |

Idler Drive Components For Belt/Chain Drive - Reversing Models



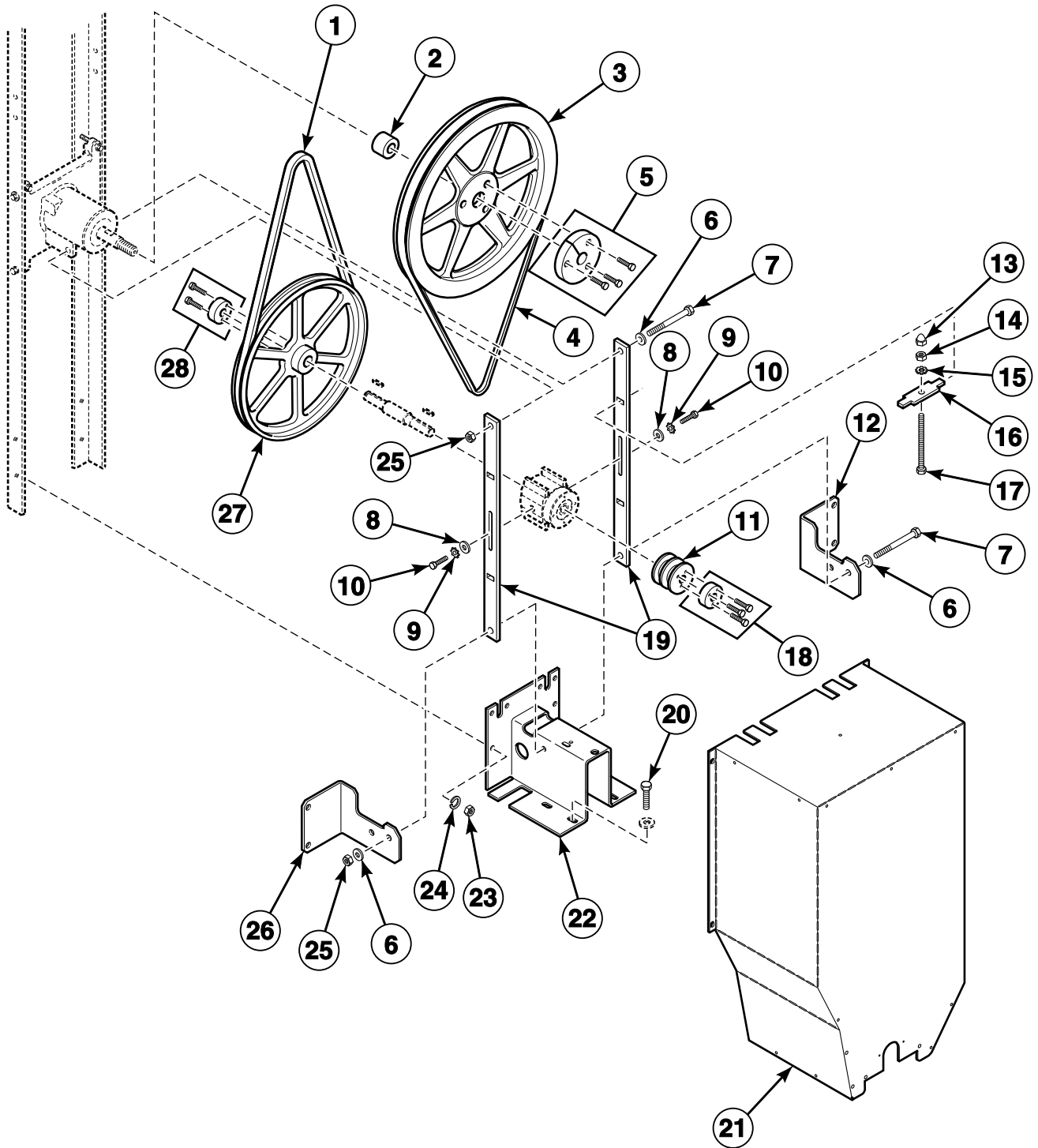
TMB2482P_70410801

Idler Drive Components For Belt/Chain Drive - Reversing Models

| REF | PART NO. | DESCRIPTION | COMMENTS |
|-----|----------|---------------------------|--|
| | BDK5075R | Belt Drive Conversion Kit | Use to convert belt/chain drive machine to belt/belt drive |
| 1 | M413541 | Belt Guard | Upper |
| 2 | M411814P | Motor Belt | Motor pulley to sheave |
| 3 | 44132402 | Belt Guard Assembly | All models except EG |
| 4 | M400065 | Screw | |
| 5 | M400147 | Single Sheave | |
| 6 | M409385 | Screw | |
| 7 | M401370 | Bearing Retainer | |
| 8 | M400401 | Loading Spring | |
| 9 | M401375P | Ball Bearing | |
| 10 | M401327 | Key | |
| 11 | M401371 | Idler Shaft | |
| 12 | N/A | Connector Link | |
| 13 | 62541 | Screw | |
| 14 | M401364P | Sprocket | |
| 15 | M400597P | Roller Chain | |
| 16 | 917P3 | Idler Housing Kit | Includes bearings and rails |
| 17 | M400081 | Washer | |
| 18 | M400014 | Washer | |
| 19 | M405525 | Screw | |
| 20 | M400026 | Nut | |
| 21 | M412476 | Guide Rail | |
| 22 | M405525 | Screw | |

N/A = Part no longer available

Idler Drive Components For Belt/Belt Drive - Reversing Models

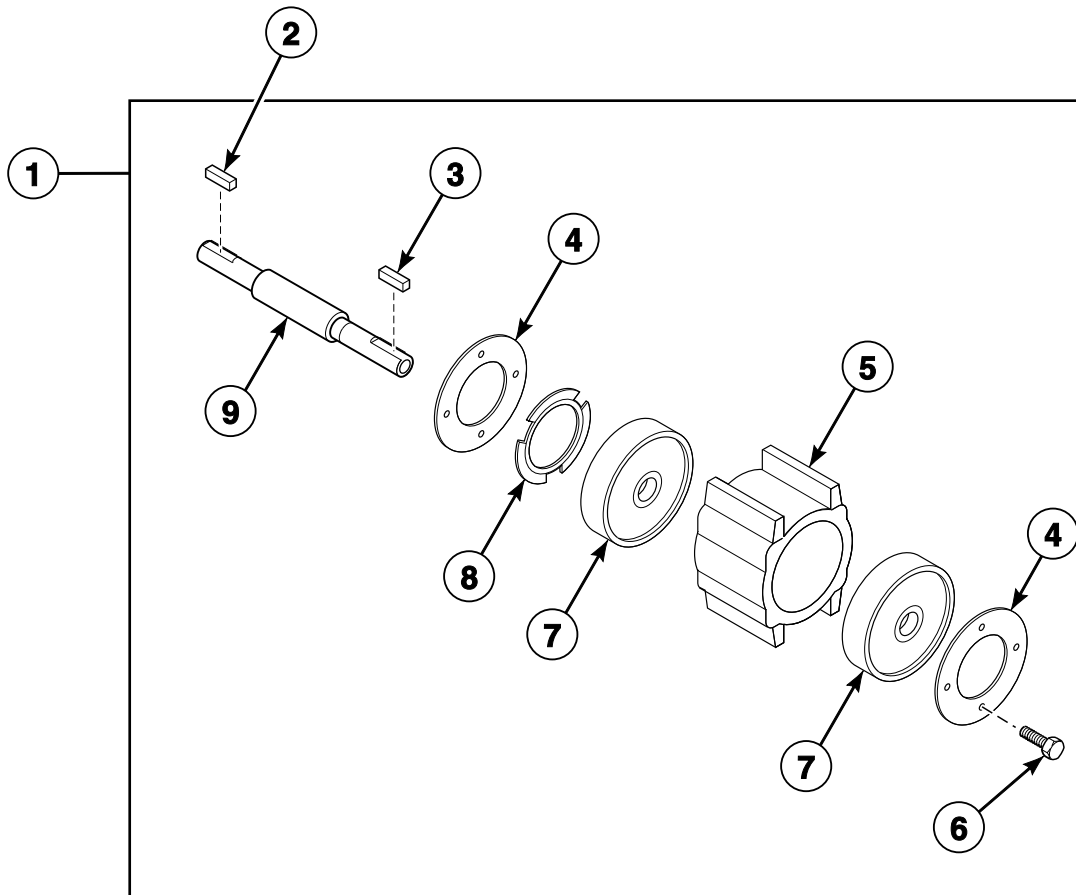


TMB2483P_70410801

Idler Drive Components For Belt/Belt Drive - Reversing Models

| REF | PART NO. | DESCRIPTION | COMMENTS |
|-----|----------|------------------------|--|
| 1 | M412981 | Belt | Motor to idler; Drive |
| 2 | 44024001 | Spacer | |
| 3 | M412916 | Double V Sheave | |
| 4 | M412090 | Belt | 2 required; Cylinder |
| 5 | M412086P | Bushing | Includes screws |
| 6 | M400014 | Washer | |
| 7 | 430648 | Screw | |
| 8 | M400080 | Washer | |
| 9 | M403958 | Washer | |
| 10 | M400043 | Screw | |
| 11 | M412884 | Pulley | |
| 12 | M413268 | Guide Rail Support | Right; Models DTB634 and DTB75FG |
| 13 | M412626 | Nut | |
| 14 | M404993 | Nut | |
| 15 | M412188 | Washer | |
| 16 | M414405 | Tension Plate Assembly | |
| 17 | M412627 | Screw | |
| 18 | M412917P | Bushing | Includes screws |
| 19 | M412476 | Guide Rail | |
| 20 | M400057 | Screw | |
| 21 | 44132407 | Belt Guard Assembly | Models DTB634 and DTB75FG; Models through Serial No. 0004xxxxx |
| | 44132402 | Belt Guard Assembly | All other models; Models through Serial No. 0004xxxxx |
| 22 | M411483 | Motor Bracket | All models except FG |
| 23 | 70142 | Nut | |
| 24 | M400013 | Washer | |
| 25 | M400026 | Nut | |
| 26 | M413267 | Guide Rail Support | Left; Models DTB634 and DTB75FG |
| 27 | M412931 | Single V Sheave | Idler |
| 28 | M412885P | Bushing | Includes screws |

Idler Housing Assembly for Reversing Belt/Belt Drive

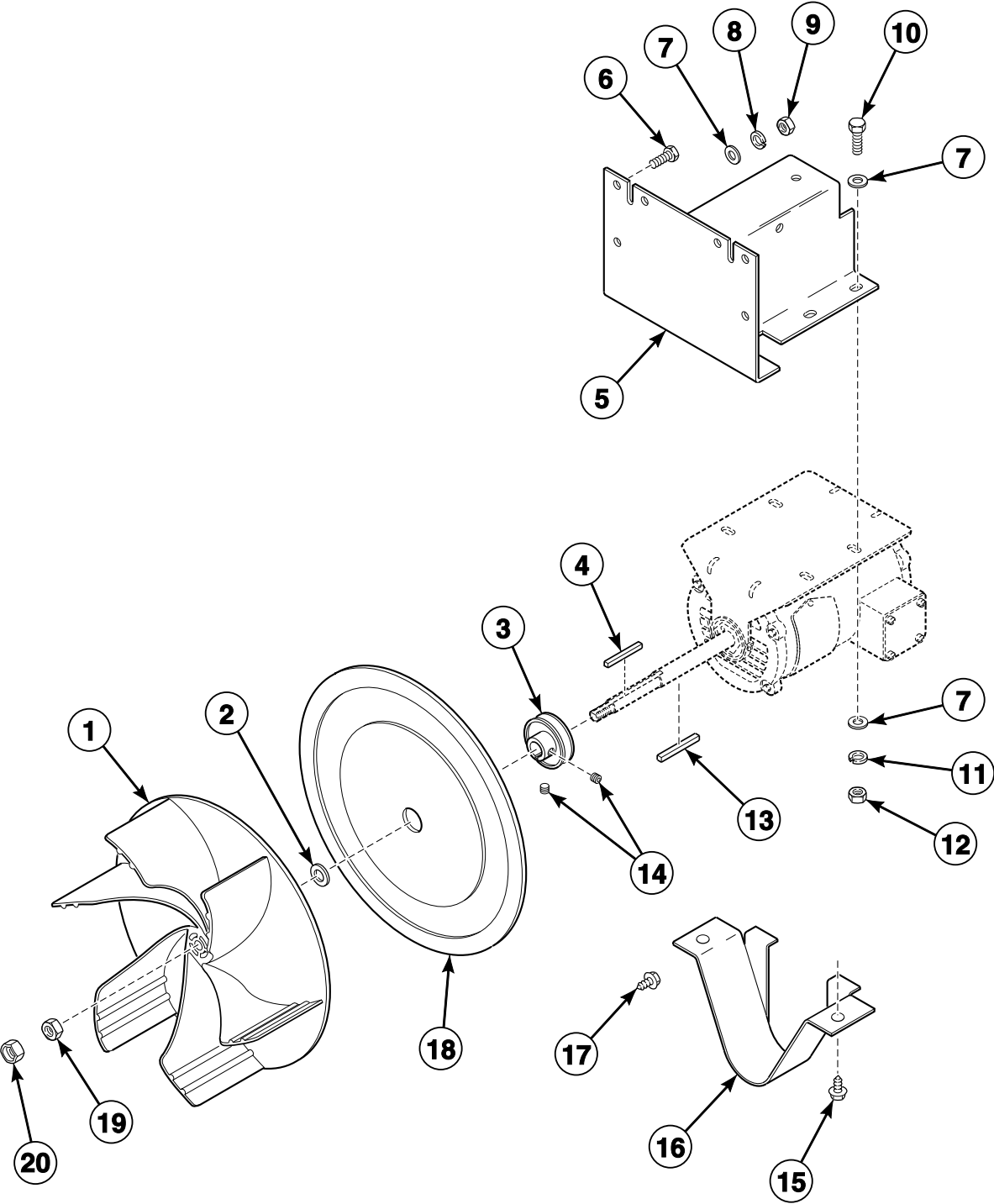


TMB2512P_70410801

Idler Housing Assembly for Reversing Belt/Belt Drive

| REF | PART NO. | DESCRIPTION | COMMENTS |
|-----|----------|-------------------|-----------------|
| 1 | 917P3 | Idler Housing Kit | |
| 2 | M401327 | Key | |
| 3 | M400993 | Key | |
| 4 | M401370 | Bearing Retainer | |
| 5 | M412612 | Idler Housing | |
| 6 | M409385 | Screw | |
| 7 | M401375P | Ball Bearing | |
| 8 | M400401 | Loading Spring | |
| 9 | M414241 | Idler Shaft | 50 pound models |
| | M412099 | Idler Shaft | 75 pound models |

Fan and Motor Components - All Models Except FG and 634

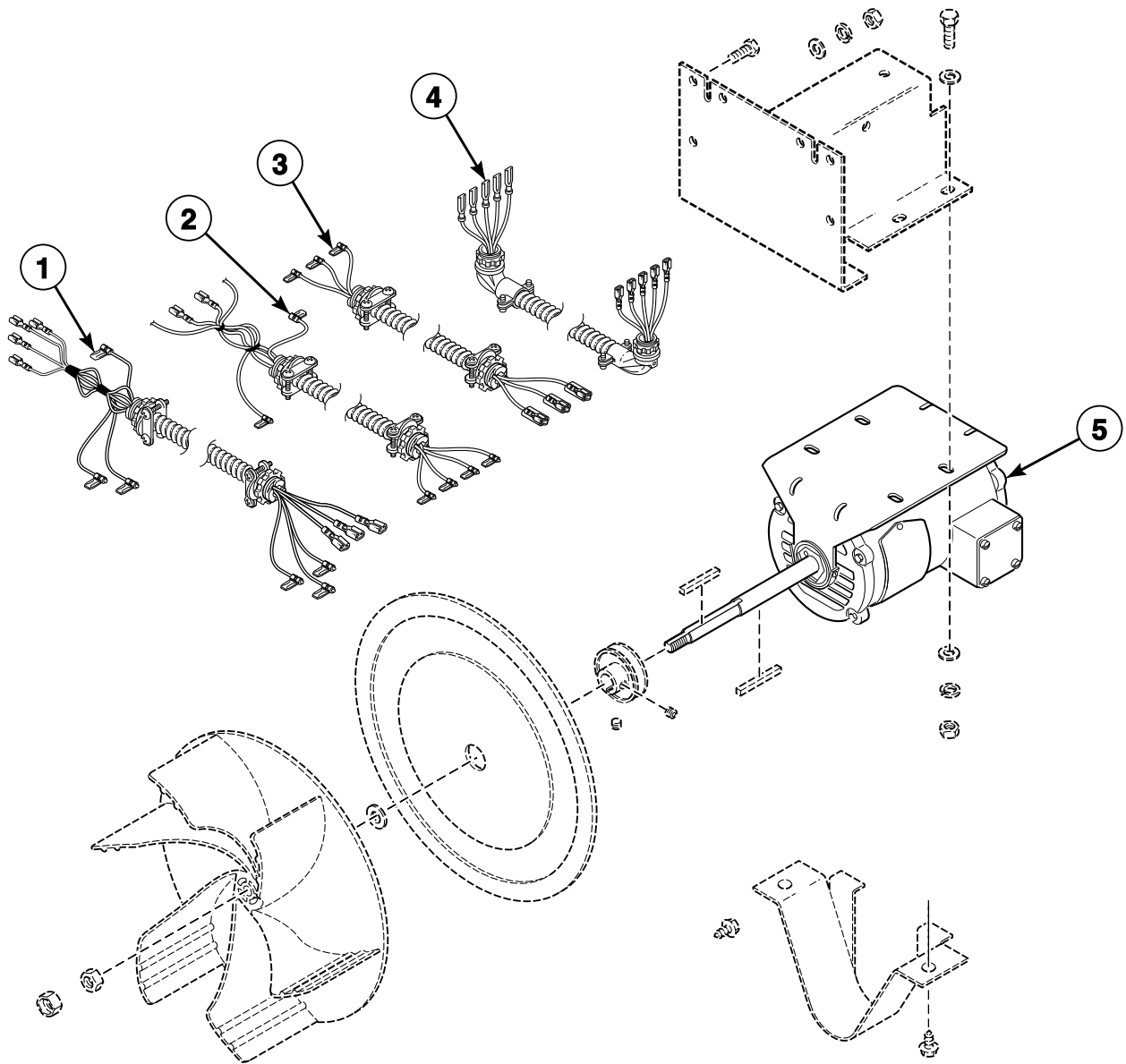


TMB3077P_70410801

Fan and Motor Components - All Models Except FG and 634

| REF | PART NO. | DESCRIPTION | COMMENTS |
|-----------|----------|-------------------------|---|
| | M4426P3 | Motor Hardware Kit | Includes items 2, 4, 13, 19 and 20 |
| | M405419P | Motor Mounting Ring Kit | Standard connection motors; 2 per package |
| | M4525P3P | Resilient Ring Kit | Quick disconnect motors; 2 per package |
| 1 | M4936P3 | Fan Kit | |
| 2 | M400991 | Washer | |
| 3 | M414566 | Pulley | Nonreversing; 50 Hertz |
| | M414564 | Pulley | Nonreversing; 60 Hertz |
| 4 | M400994P | Key and Instruction Kit | Fan |
| 5 | M411483 | Motor Bracket | |
| 6 | M401393 | Bolt | |
| 7 | M400080 | Washer | |
| 8 | M400014 | Washer | |
| 9 | 70142 | Nut | |
| 10 | M400057 | Screw | |
| 11 | M400013 | Washer | |
| 12 | 02428 | Nut | |
| 13 | M400993 | Key | Pulley |
| 14 | M400077 | Screw | |
| 15 | M405188 | Screw | |
| 16 | M413008 | Belt Guard | |
| 17 | M410059 | Screw | |
| 18 | M401362 | Cover Plate | |
| 19 | M400022 | Nut | |
| 20 | M400034 | Nut | |

Fan Motors with Standard Connection - 50 Pound Models Through Serial No. 684487YA



TMB2513P_70410801

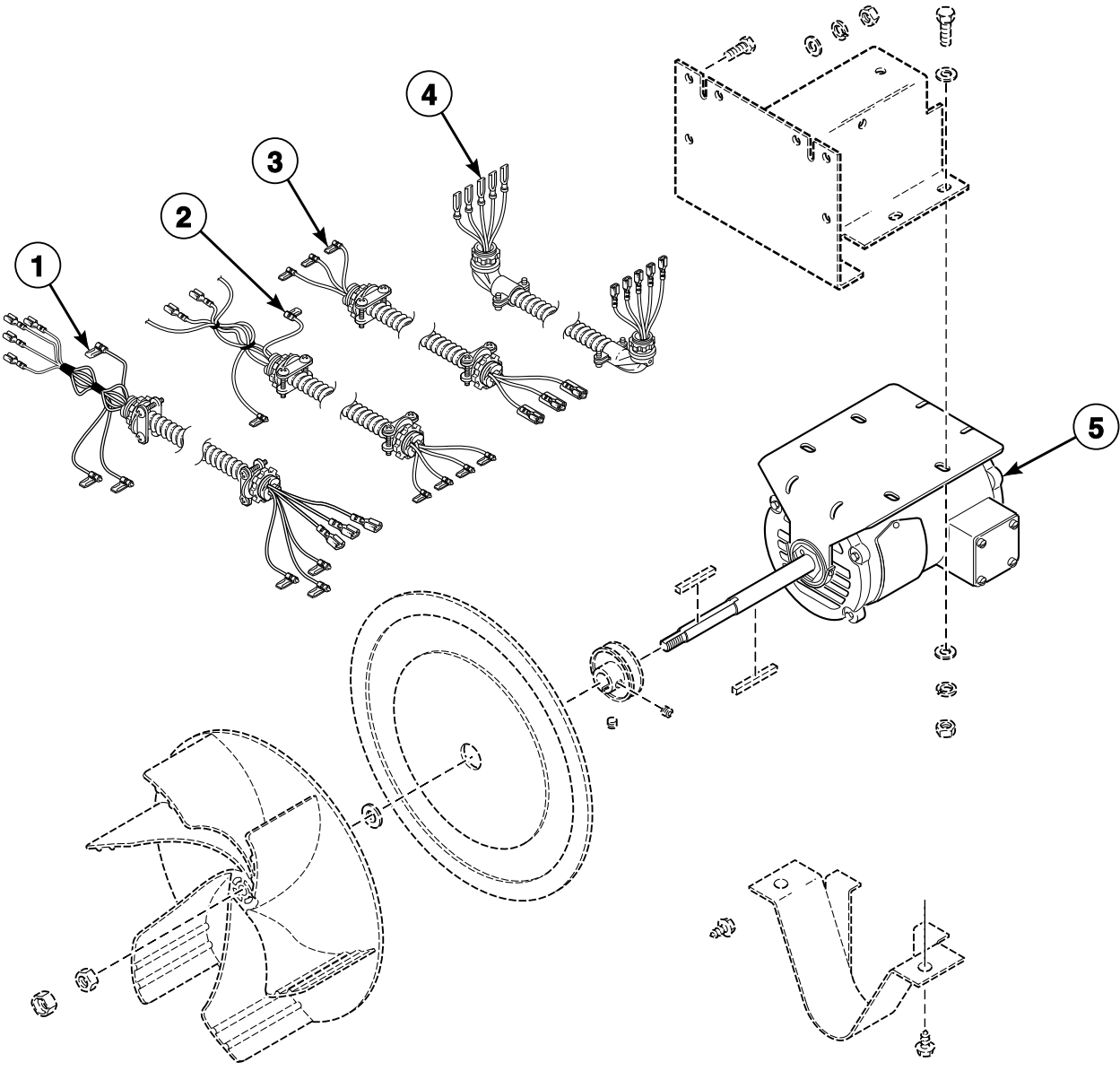
Fan Motors with Standard Connection - 50 Pound Models Through Serial No. 684487YA

| REF | PART NO. | DESCRIPTION | COMMENTS |
|-----|----------|-----------------------------|--|
| 1 | M411827 | Motor Wire Harness Assembly | EG and electric models; Coin and manual timer; 3 Phase; Fan motor to junction box |
| | M411828 | Motor Harness Assembly | EG models; Manual timer; 208-240 Volt/60 Hertz/3 Phase; Fan motor to junction box |
| 2 | M409489 | Motor Wire Harness Assembly | EG models; Coin; 208-240 Volt/60 Hertz/1 Phase; Fan motor to junction box |
| | N/A | Motor Wire Harness Assembly | CG, CSH and CSL models; Coin and manual timer; 2 wire; 1 Phase; Fan motor to junction box |
| | M409982 | Motor Wire Harness Assembly | Electric models; Coin; 415 Volt/50 Hertz/3 Phase; Fan motor to junction box |
| 3 | N/A | Fan Motor Harness Assembly | CG, CSH, CSL and electric models; OM control suffix; 120 Volt/60 Hertz/1 Phase and 240 Volt/50 Hertz/1 Phase; Fan motor to contactor box |
| | M413686 | Fan Motor Harness Assembly | CG, CSH, CSL and electric models; OM control suffix; 3 Phase; Fan motor to contactor box |
| | N/A | Fan Motor Harness Assembly | CG, CSH, CSL and electric models; OM control suffix; 1 Phase; Fan motor to contactor box |
| | N/A | Motor Harness Assembly | CG models; Coin and manual timer; 208-240 Volt/60 Hertz/1 Phase; Fan motor to contactor box |
| 4 | M411980 | Motor Harness Assembly | Reversing; CG, CSH and EG models; Manual timer; 240 Volt/50 Hertz/1 Phase; Fan motor to contactor box |
| 5 | M411189P | Motor | Reversing; Gas, steam and electric models: 208-240 Volt/60 Hertz/3 Phase and 380-415 Volt/50 Hertz/3 Phase; Steam and electric models: 480 Volt/60 Hertz/3 Phase; No capacitor |
| | M409735P | Motor | Reversing; Gas and electric models: 240 Volt/50 Hertz/1 or 3 Phase; Use M410301 Motor Capacitor |
| | M4857P3 | Motor Replacement Kit | Reversing; Steam models: 240 Volt/50 Hertz/1 Phase; Use M410301 Motor Capacitor |
| | M4858P3 | Motor Replacement Kit | Reversing; Gas models: 240 Volt/50 Hertz/1 Phase; Nonreversing; Gas, steam and electric models: 240 Volt/50 Hertz/1 Phase; Use M410300 Motor Capacitor |
| | M4834P3 | Motor Replacement Kit | Nonreversing; Gas, steam and electric models: 208 Volt/60 Hertz/1 Phase; Steam models: 208-240 Volt/60 Hertz/3 Phase; Gas models: 120 Volt/60 Hertz/1 Phase and 208-240 Volt/60 Hertz/1 Phase; Gas and steam models: 240 Volt/60 Hertz/1 Phase; Electric models: 240 Volt/60 Hertz/3 Phase; Use 70211501 Motor Capacitor |
| | M411190P | Motor | Nonreversing; Gas and steam models: 208-240 Volt/60 Hertz/3 Phase; Electric models: 240 Volt/50 Hertz/3 Phase and 380-415 Volt/50 Hertz/3 Phase; Gas and electric models: 480 Volt/60 Hertz/3 Phase; No capacitor |
| | M411191P | Motor | Nonreversing; Steam models: 120 Volt/60 Hertz/1 Phase and 208-240 Volt/60 Hertz/1 Phase; Use M410298 Motor Capacitor |

NOTE: Standard connection motors have wire leads which connect to the tumbler harness.

N/A = Part no longer available

Fan Motors with Quick Connect - 50 Pound Models Starting Serial No. 684487YA



TMB2513P_70410801

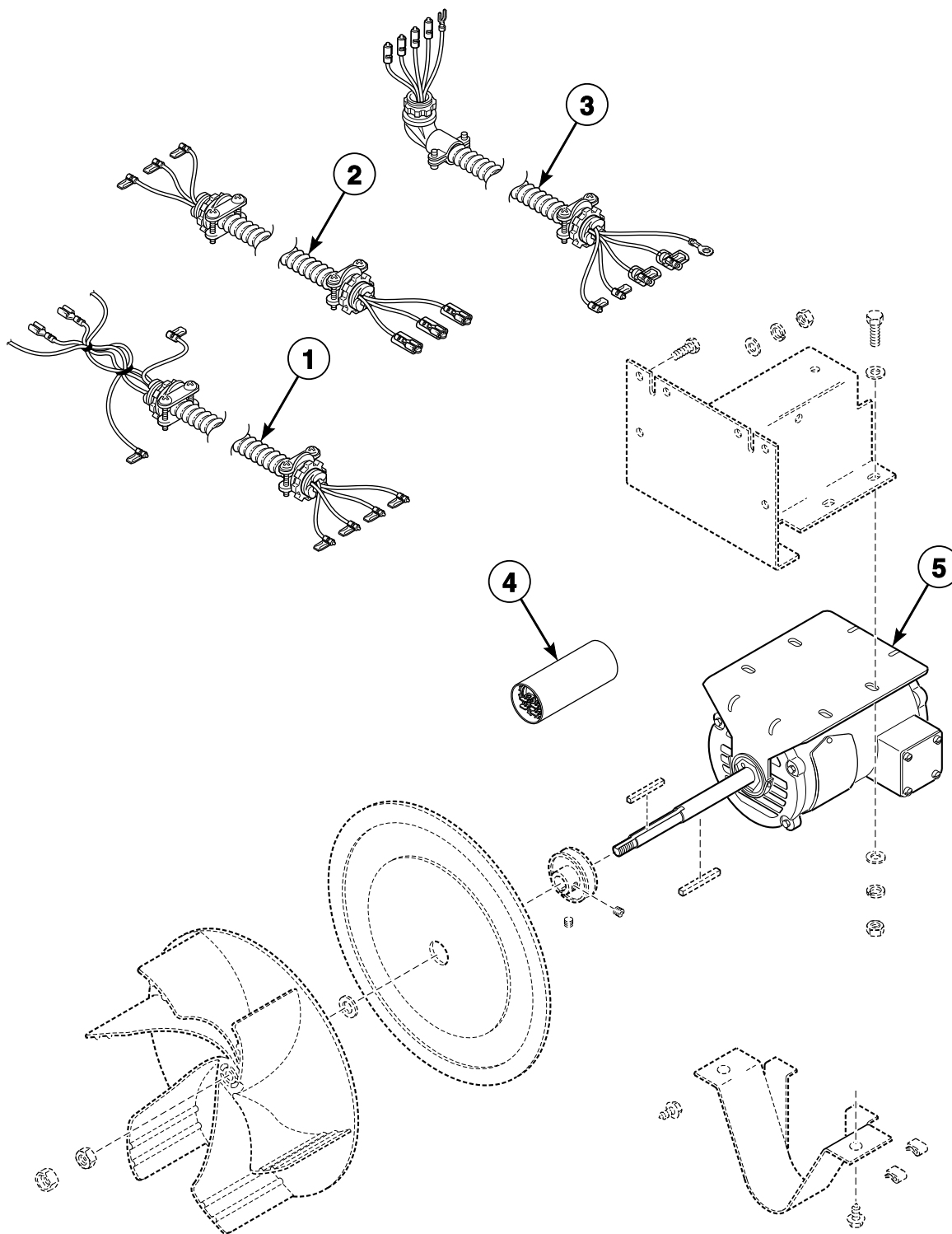
Fan Motors with Quick Connect - 50 Pound Models Starting Serial No. 684487YA

| REF | PART NO. | DESCRIPTION | COMMENTS |
|-----|-----------|-----------------------------|---|
| 1 | M411827 | Motor Wire Harness Assembly | EG and electric models; Coin and manual timer; 3 Phase; Fan motor to junction box |
| | M411828 | Motor Harness Assembly | EG models; Manual timer; 208-240 Volt/60 Hertz/3 Phase; Fan motor to junction box |
| 2 | M409489 | Motor Wire Harness Assembly | EG models; Coin; 208-240 Volt/60 Hertz/1 Phase; Fan motor to junction box |
| | N/A | Motor Wire Harness Assembly | CG, CSH and CSL models; Coin and manual timer; 2 wire; 1 Phase; Fan motor to junction box |
| | M409982 | Motor Wire Harness Assembly | Electric models; Coin; 415 Volt/50 Hertz/3 Phase; Fan motor to junction box |
| 3 | N/A | Fan Motor Harness Assembly | CG, CSH, CSL and electric models; OM control suffix; 120 Volt/60 Hertz/1 Phase and 240 Volt/50 Hertz/1 Phase; Fan motor to contactor box |
| | M413686 | Fan Motor Harness Assembly | CG, CSH, CSL and electric models; OM control suffix; 3 Phase; Fan motor to contactor box |
| | N/A | Fan Motor Harness Assembly | CG, CSH, CSL and electric models; OM control suffix; 1 Phase; Fan motor to contactor box |
| | N/A | Motor Harness Assembly | CG models; Coin and manual timer; 208-240 Volt/60 Hertz/1 Phase; Fan motor to contactor box |
| 4 | M411980 | Motor Harness Assembly | Reversing; CG, CSH and EG models; Manual timer; 240 Volt/50 Hertz/1 Phase; Fan motor to contactor box |
| 5 | M4833P3 | Motor Replacement Kit | Reversing; Electric models: 208-240 Volt/60 Hertz/3 Phase; Use M410296 Motor Capacitor |
| | M409735P | Motor | Reversing; Electric models: 240 Volt/50 Hertz/3 Phase; Gas and steam models: 240 Volt/50 Hertz/1 Phase; Use M410301 Motor Capacitor |
| | 44046001P | Fan Motor | Reversing; Gas and steam models: 208-240 Volt/60 Hertz/3 Phase; Gas, steam and electric models: 380-415 Volt/50 Hertz/3 Phase; Steam and electric models: 480 Volt/60 Hertz/3 Phase; No capacitor |
| | M4834P3 | Motor Replacement Kit | Nonreversing; Gas models: 120 Volt/60 Hertz/1 Phase; Gas and steam models: 120, 208-240 Volt/60 Hertz/1 Phase; Electric models: 208-240 Volt/60 Hertz/3 Phase; Use 70211501 Motor Capacitor |
| | M412225P | Motor | Nonreversing; Gas, steam and electric models: 240 Volt/50 Hertz/1 Phase; Electric models: 240 Volt/50 Hertz/3 Phase and 380-415 Volt/50 Hertz/3 Phase; Use M410300 Motor Capacitor |
| | 44046101P | Motor | Nonreversing; Gas and steam models: 208-240 Volt/60 Hertz/3 Phase; Steam models: 380-415 Volt/50 Hertz/3 Phase; Gas, steam and electric models: 480 Volt/60 Hertz/3 Phase; No capacitor |
| | 44046201P | Motor | Nonreversing; Steam models: 208-240 Volt/60 Hertz/3 Phase; No capacitor |

NOTE: Quick connect motors have terminal blocks for wire connections.

N/A = Part no longer available

Motor Components - 75 Pound Models Except FG and 634



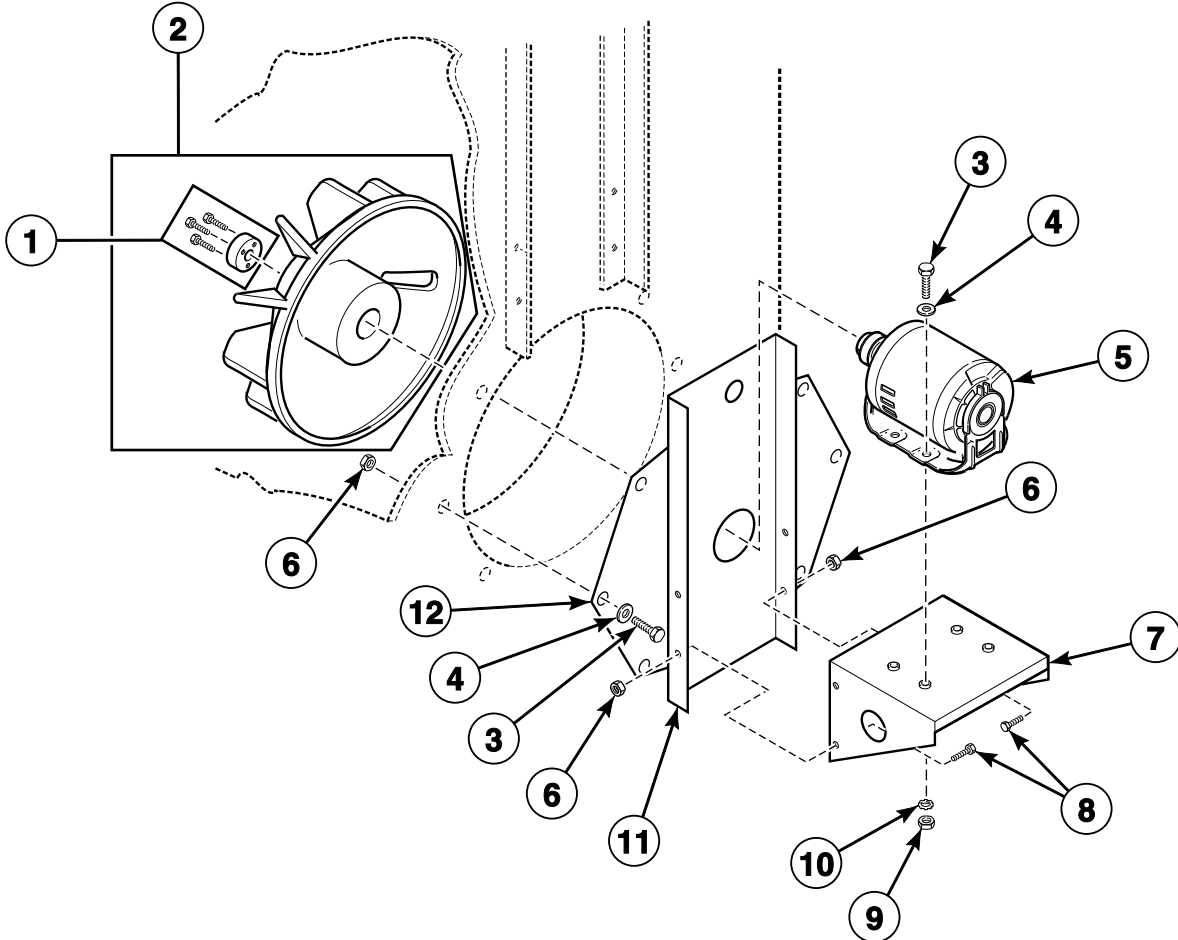
TMB3078P_70410801

Motor Components - 75 Pound Models Except FG and 634

| REF | PART NO. | DESCRIPTION | COMMENTS |
|-----------|-----------------------|---|--|
| 1 | M409489 | Motor Wire Harness Assembly | Gas models; 1 Phase |
| | N/A | Motor Wire Harness Assembly | Gas and steam models; Manual timer; 1 Phase; 2 wire |
| 2 | N/A | Fan Motor Harness Assembly | 120-240 Volt/50 or 60 Hertz/1 Phase; 2 wire |
| | M413686 | Fan Motor Harness Assembly | OM control suffix; 3 Phase |
| | N/A | Fan Motor Harness Assembly | OM control suffix; 1 Phase; 3 wire |
| 3 | M413281 | Fan Motor Harness Assembly | Gas and steam models; 230 Volt/50 Hertz/1 Phase |
| 4 | M406291 | Motor Capacitor | Standard connection; For M400383 Motor which is no longer available. Order M4833P3 Motor Replacement Kit which includes terminals |
| | M410302 | Motor Capacitor | Standard connection; For M400390 Motor which is no longer available. Order M4834P3 Motor Replacement Kit which includes terminals |
| | M410301 | Motor Capacitor | Standard connection; For M409735 Motor and M400382 Motor which are no longer available. Order M4857P3 Motor Replacement Kit which includes terminals |
| | M410296 | Motor Capacitor | Quick connect; For M409438 Motor which is included in M4833P3 Motor Replacement Kit |
| | M410298 | Motor Capacitor | Quick connect; For M412227 Motor and M411191P Motor |
| | M410300 | Motor Capacitor | Quick connect; For M412225 Motor |
| | M411191P | Motor | Nonreversing models through Serial No. 684486YA; Gas and steam models: 120, 208 or 240 Volt/60 Hertz/1 Phase; Electric models: 208 or 240 Volt/60 Hertz/3 Phase Use M410298 Motor Capacitor |
| M412226P | Motor | Nonreversing; Gas models: 208 Volt/50 Hertz/1 Phase; CSH models: 240 Volt/50 Hertz/1 Phase; Electric models: 380 or 415 Volt/50 Hertz/3 Phase No capacitor | |
| M411188P | Motor | Nonreversing models through Serial No. 684486YA; Gas and steam models: 208 or 240 Volt/60 Hertz/3 Phase; Gas and electric models: 480 Volt/60 Hertz/3 Phase No capacitor | |
| M412227P | Motor | Nonreversing models starting Serial No. 684486YA; Gas and steam models: 120, 208 or 240 Volt/60 Hertz/1 Phase; Electric models: 208 or 240 Volt/60 Hertz/1 Phase Use M410298 Motor Capacitor | |
| M409735P | Motor | Reversing; Gas and CSH models: 240 Volt/50 Hertz/1 Phase; Electric models: 240 Volt/50 Hertz/3 Phase Use M410301 Motor Capacitor | |
| M4833P3 | Motor Replacement Kit | Reversing; Electric models: 208 Volt/60 Hertz/1 or 3 Phase and 240 Volt/60 Hertz/3 Phase; Use M410296 Motor Capacitor | |
| 44046001P | Fan Motor | Reversing; Gas and steam models: 208 or 240 Volt/60 Hertz/3 Phase; Gas, electric and CSH models: 380 or 415 Volt/50 Hertz/3 Phase and 480 Volt/60 Hertz/3 Phase; No capacitor | |
| 44046201P | Motor | Nonreversing models starting Serial No. 684486YA; 200-208, 240, 380, 400-415, 440 or 460-480 Volt/50 or 60 Hertz/3 Phase; No capacitor | |

N/A = Part no longer available

Fan and Motor Components - FG and 634 Models



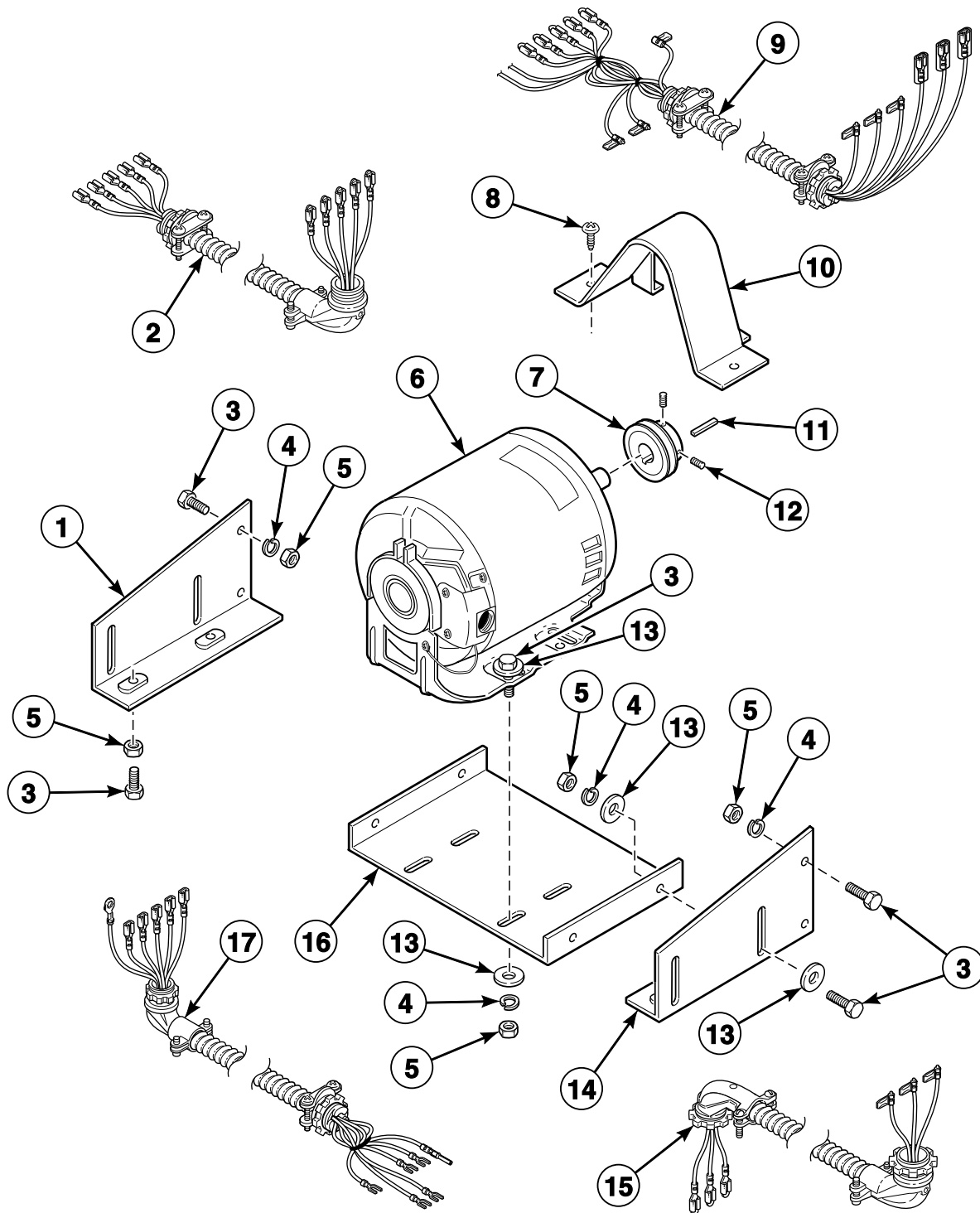
T473P_70410801

Fan and Motor Components - FG and 634 Models

| REF | PART NO. | DESCRIPTION | COMMENTS |
|-----|------------|--------------------------|-----------------|
| 1 | H87529111P | Bushing | Includes screws |
| 2 | M414546 | Fan and Bushing Assembly | |
| 3 | M400057 | Screw | |
| 4 | M400080 | Washer | |
| 5 | 44046301P | Motor | No capacitor |
| 6 | 20274 | Nut | |
| 7 | M413391 | Motor Base | |
| 8 | 22688 | Screw | |
| 9 | 02428 | Nut | |
| 10 | M400013 | Washer | |
| 11 | N/A | Motor Channel | |
| 12 | M413399 | Blower Cover | |

N/A = Part no longer available

Cylinder Drive Motor and Components for Models Through 1996



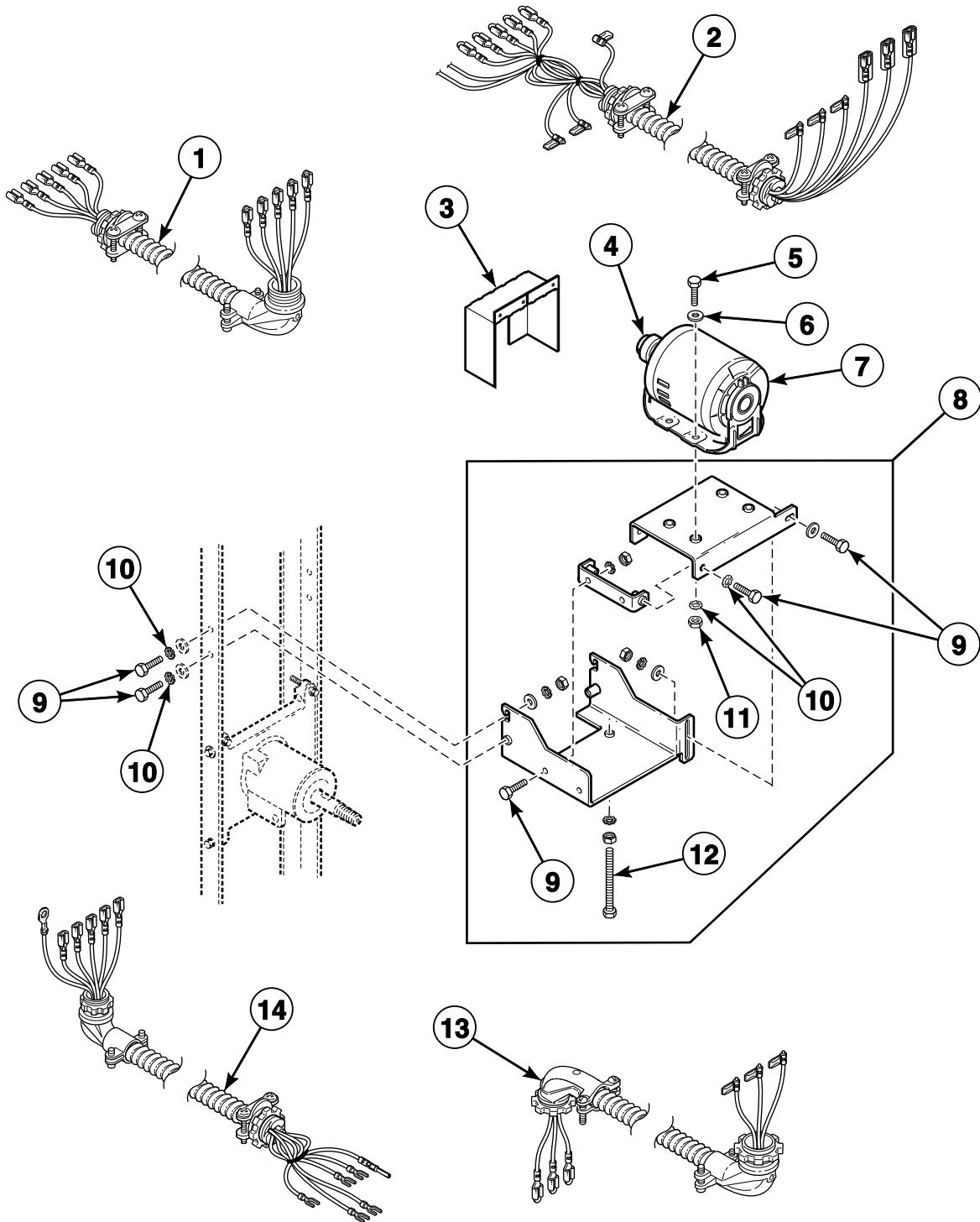
TMB2485P_70410801

Cylinder Drive Motor and Components for Models Through 1996

| REF | PART NO. | DESCRIPTION | COMMENTS |
|-----|----------|---------------------------------|---|
| 1 | M400520 | Motor Bracket Assembly | Left; 50 pound models through 1994; 75 pound models through 1995 |
| 2 | M412107 | Motor Harness Assembly | CG, CSH, CSL and electric models; Reversing; 50 or 60 Hertz/3 Phase; Drive motor to contactor box |
| | M413687 | Cylinder Motor Harness Assembly | CG, CSH, CSL, EG and electric models; Reversing; OM control suffix; 1 Phase |
| 3 | M400057 | Screw | |
| 4 | M400013 | Washer | |
| 5 | 02428 | Nut | |
| 6 | M410852 | Motor | 75 pound models: 1/3 hp; 208-240 Volt/60 Hertz/1 Phase; No capacitor |
| | M412519P | Motor Kit | 1/3 hp; Gas, steam and electric models: 208-240 Volt/60 Hertz/3 Phase; Electric models: 240 Volt/50 Hertz/3 Phase; Steam and electric models: 480 Volt/60 Hertz/3 Phase; No capacitor |
| | M412520P | Motor Kit | 1/3 hp; 240 Volt/50 Hertz/1 Phase; No capacitor |
| 7 | M414565 | Pulley | |
| 8 | M405188 | Screw | |
| 9 | M411828 | Motor Harness Assembly | Gas models; Manual timer; 208-240 Volt/60 Hertz/3 Phase |
| | M411827 | Motor Wire Harness Assembly | Gas and electric models; Manual timer; 3 Phase |
| 10 | M413008 | Belt Guard | |
| 11 | M400993 | Key | |
| 12 | M400065 | Screw | |
| 13 | M400080 | Washer | |
| 14 | M400521 | Motor Bracket Assembly | Right; 50 pound models through 1994; 75 pound models through 1995 |
| 15 | M413688 | Cylinder Motor Harness Assembly | Reversing; OM control suffix; 3 Phase |
| 16 | N/A | Motor Mounting Bracket | 50 pound models through 1994; 75 pound models through 1995 |
| | M413617 | Motor Mount Assembly | Hinged; Models starting 1995 |
| 17 | M412745 | Cylinder Motor Harness | Reversing; DC, JC and SC gas and steam models; 230 Volt/50 Hertz/1 Phase |
| | M412573 | Cylinder Motor Harness Assembly | Reversing; 3 Phase |

N/A = Part no longer available

Cylinder Drive Motor and Components for Models Starting 1996

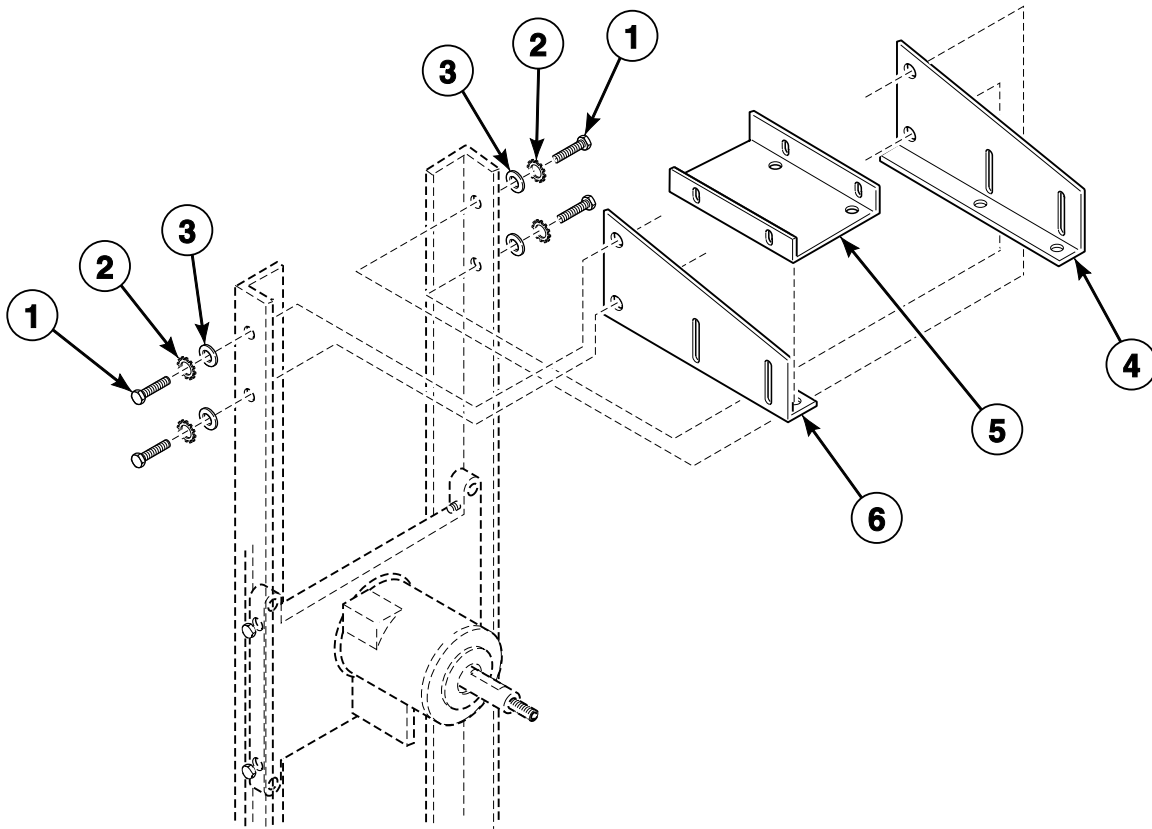


TMB2486P_70410801

Cylinder Drive Motor and Components for Models Starting 1996

| REF | PART NO. | DESCRIPTION | COMMENTS |
|-----|----------|---------------------------------|---|
| 1 | M412107 | Motor Harness Assembly | Reversing; 50 or 60 Hertz/3 Phase; Drive motor to contactor box |
| | M413687 | Cylinder Motor Harness Assembly | CG, CSH, CSL and electric models; Reversing; OM control suffix; 1 Phase |
| 2 | M411828 | Motor Harness Assembly | Gas models; Manual timer; 208-240 Volt/60 Hertz/3 Phase |
| | M411827 | Motor Wire Harness Assembly | Gas and electric models; Manual timer; 3 Phase |
| 3 | M413541 | Belt Guard | Upper |
| 4 | M414565 | Pulley | 60 Hertz |
| | M414567 | Pulley | 50 Hertz |
| 5 | M400057 | Screw | |
| 6 | M400080 | Washer | |
| 7 | M412519P | Motor Kit | Gas, steam and electric models: 208-240 Volt/60 Hertz/3 Phase and 380-415 Volt/50 Hertz/3 Phase; Electric models: 240 Volt/50 Hertz/3 Phase; Steam and electric models: 480 Volt/60 Hertz/3 Phase; No capacitor |
| | M412520P | Motor Kit | Gas and steam models: 240 Volt/1 Phase; No capacitor |
| 8 | M413617 | Motor Mount Assembly | Includes items 5, 6 and 10-12 |
| 9 | 27202 | Screw | |
| 10 | 02834 | Washer | |
| 11 | 02428 | Nut | |
| 12 | M413565 | Screw | |
| 13 | M413688 | Cylinder Motor Harness Assembly | CG, CSH, CSL and electric models; Reversing; OM control suffix; 3 Phase |
| 14 | M412745 | Cylinder Motor Harness | Reversing; DC, JC and SC gas and steam models; 230 Volt/50 Hertz/1 Phase |
| | M412573 | Cylinder Motor Harness Assembly | Reversing; 3 Phase |

Cylinder Motor Bracket - Models Through 1995



T503P_70410801

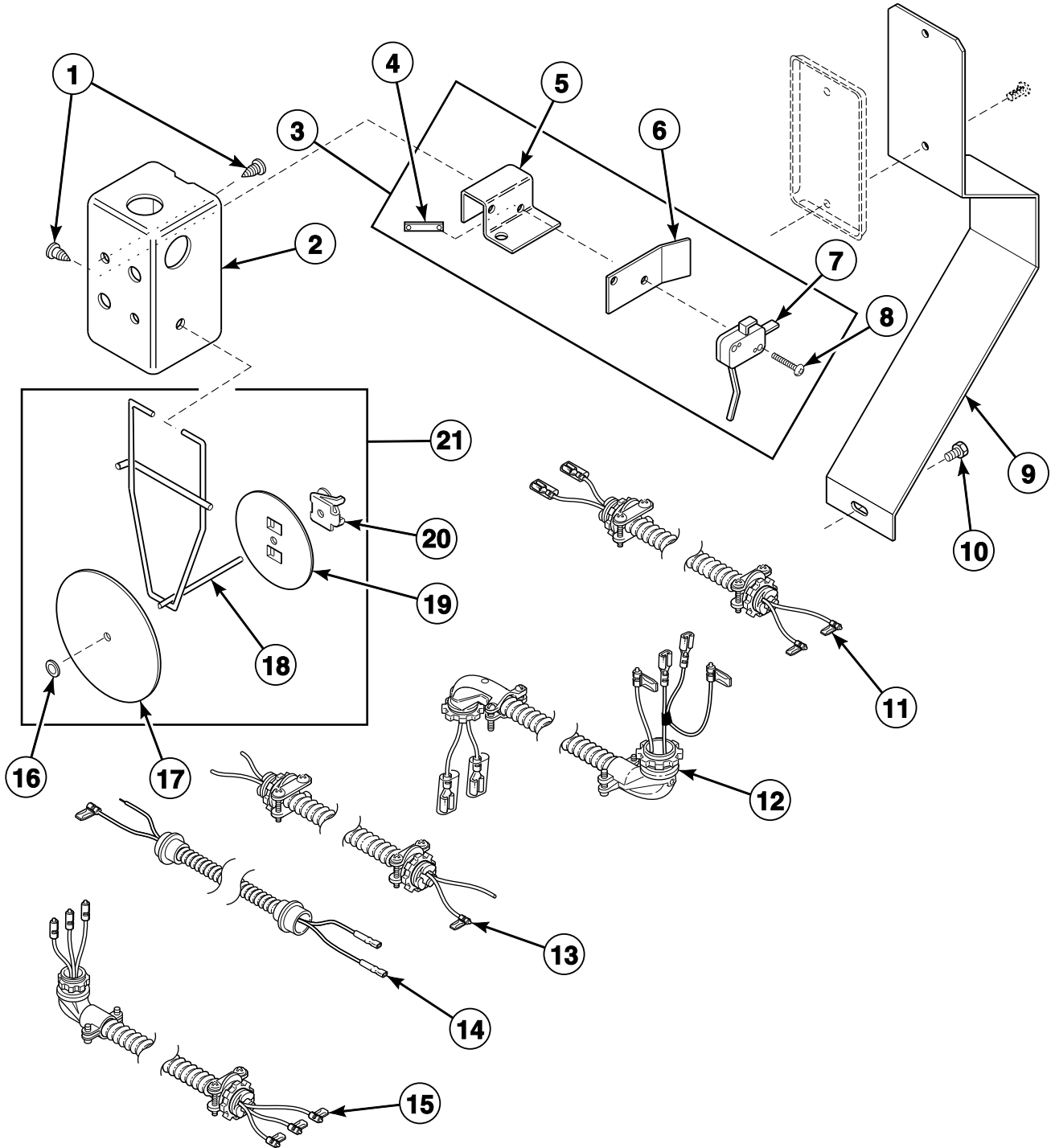
Cylinder Motor Bracket - Models Through 1995

| REF | PART NO. | DESCRIPTION | COMMENTS |
|-----|----------|---------------------------------|----------|
| 1 | 27202 | Screw | |
| 2 | M400013 | Washer | |
| 3 | M400080 | Washer | |
| 4 | N/A | Motor Support Bracket Assembly | Right |
| 5 | N/A | Motor Mounting Bracket Assembly | |
| 6 | N/A | Motor Support Bracket Assembly | Left |

N/A = Part no longer available

Airflow Switch Assembly

All 50 Pound Models
75 Pound Gas and Electric Models

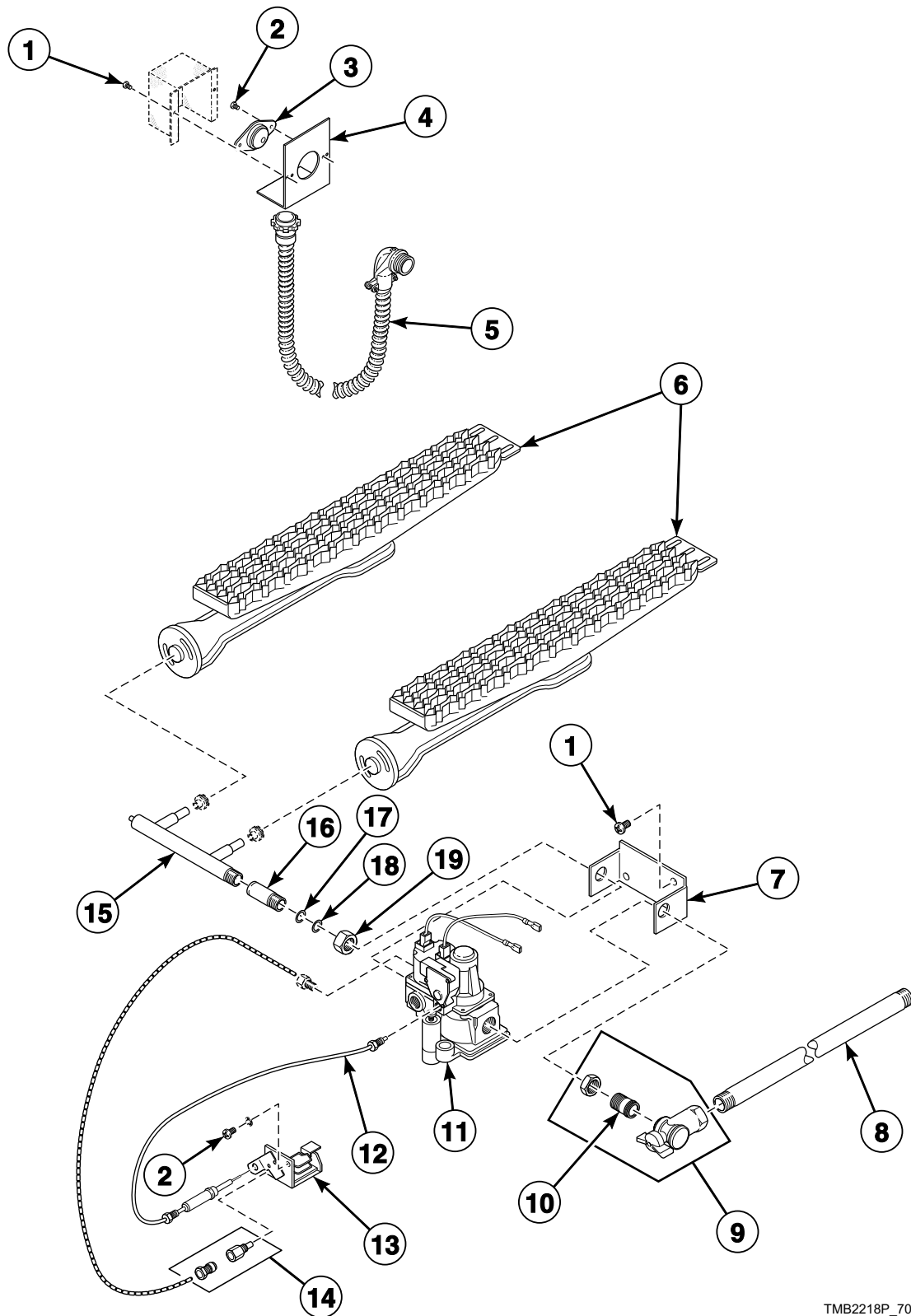


TMB2881P_70410801

Airflow Switch Assembly

| REF | PART NO. | DESCRIPTION | COMMENTS |
|-----|----------|----------------------------------|--|
| 1 | M400664 | Screw | |
| 2 | M403235 | Airflow Switch Handy Box | |
| 3 | M401883 | Airflow Switch Assembly | Includes items 4-8 |
| 4 | M400979 | Nut | |
| 5 | M409202 | Airflow Switch Bracket | |
| 6 | M400712 | Airflow Switch Insulator Barrier | |
| 7 | M400944 | Airflow Switch | Australian and DT, JT and ST models |
| | M412423 | Actuator Switch | DC, JC and SC models |
| 8 | M401938 | Screw | |
| 9 | M410544 | Airflow Switch Guard | All models except 50CG models |
| 10 | 430497 | Screw | |
| 11 | M413689 | Airflow Switch Harness Assembly | Electric models; OM control suffix; Airflow switch to cabinet high limit thermostat |
| 12 | M413690 | Harness Assembly | 50 pound CG models; OM control suffix; Airflow switch to cabinet high limit thermostat |
| 13 | M401909 | Wire Harness Assembly | 50 pound CG models; Coin and manual timer; Airflow switch to junction box |
| 14 | M403824 | Wire Harness Assembly | 50 pound CG models; Coin and manual timer; Airflow switch to stove high limit thermostat |
| 15 | M412575 | Airflow Switch Harness Assembly | 75 pound DC, JC and SC models; Cabinet mounted airflow switch |
| 16 | M400977 | Nut | |
| 17 | M413475 | Airflow Switch Vane | 634 and FG models |
| | M400253 | Vane | All other models |
| 18 | M400753 | Airflow Switch Vane Lever | |
| 19 | M400822 | Counterweight | |
| 20 | M400976 | Clip | |
| 21 | M400541 | Vane Assembly | |

Standing Pilot Ignition Burner Assembly - 50 Pound Models



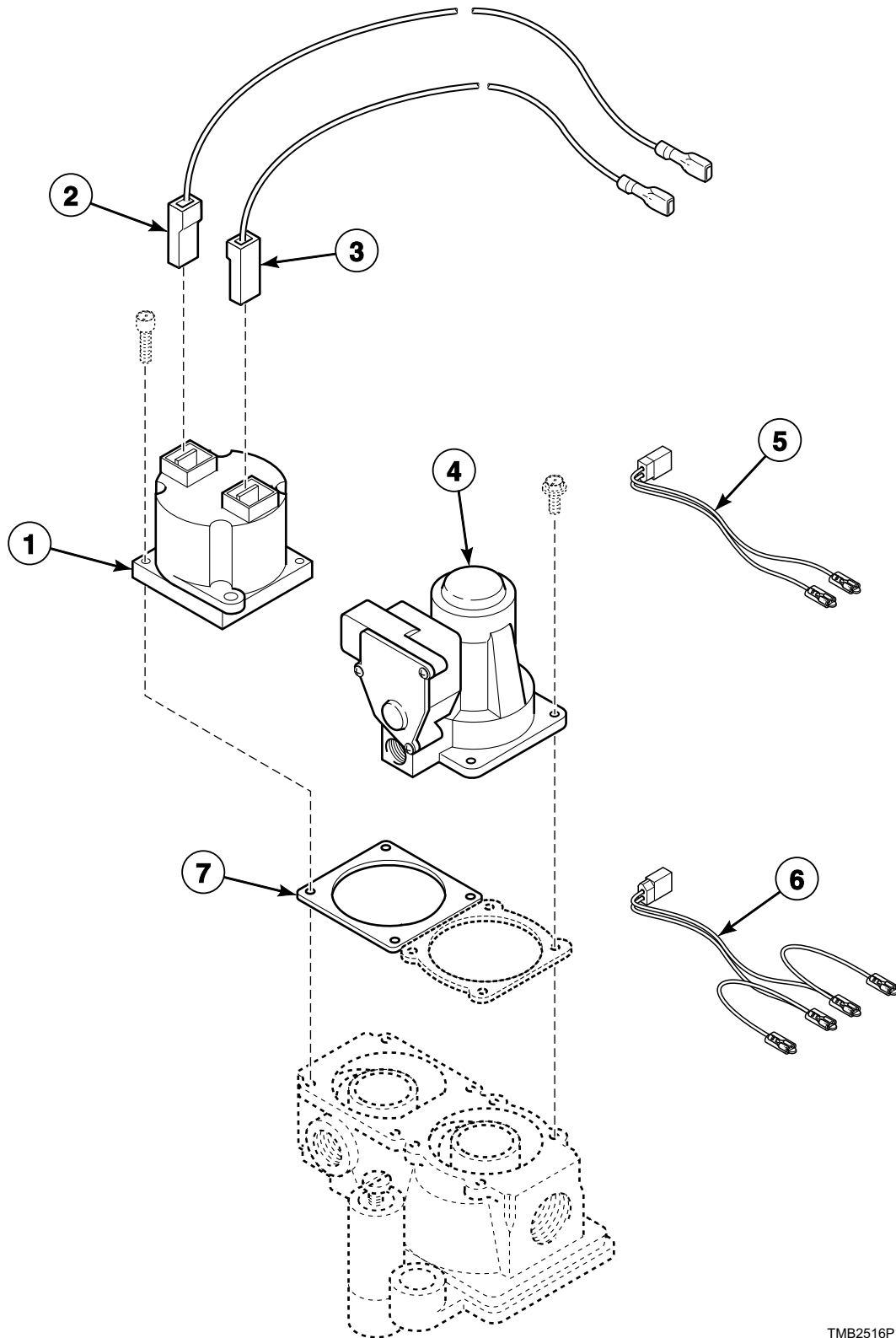
TMB2218P_70410801

Standing Pilot Ignition Burner Assembly - 50 Pound Models

| REF | PART NO. | DESCRIPTION | COMMENTS |
|-----|----------|------------------------|--|
| 1 | M400664 | Screw | |
| 2 | M402797 | Screw | |
| 3 | M409433 | Limit Thermostat | |
| 4 | M402798 | Thermostat Bracket | |
| 5 | M403824 | Wire Harness Assembly | with junction box |
| | N/A | Wire Harness Assembly | without junction box |
| 6 | M4448P3 | Burner Kit | Includes both burners |
| 7 | N/A | Bracket | |
| 8 | M400749 | Pipe | |
| 9 | M4983P3 | Shut-Off Valve Kit | |
| 10 | 44092201 | Tailpiece | 1/2 inch NPT |
| | 44092202 | Tailpiece | 1/2 inch BPT |
| 11 | M401228P | Gas Valve | Basotrol; 120 Volt; Natural Gas (N.G.); Regulated |
| | M401229P | Gas Valve | Basotrol; 240 Volt; N.G.; Regulated |
| | M401230P | Gas Valve | Basotrol; 120 Volt; Liquid Petroleum Gas (L.P.); Unregulated |
| | M401231P | Gas Valve | Basotrol; 240 Volt; L.P.; Unregulated |
| 12 | M400934 | Thermocouple | |
| 13 | N/A | Pilot Holder Assembly | |
| 14 | M400918 | Burner Orifice | L.P. |
| | Q8152 | Burner Orifice | N.G. |
| 15 | N/A | Manifold | |
| 16 | M406681 | Manifold Pipe Assembly | |
| 17 | M400606 | Washer | |
| 18 | M400605 | Anti-Torque Ring | |
| 19 | M401548 | Nut | |

N/A = Part no longer available

Standing Pilot Ignition Gas Valve Components



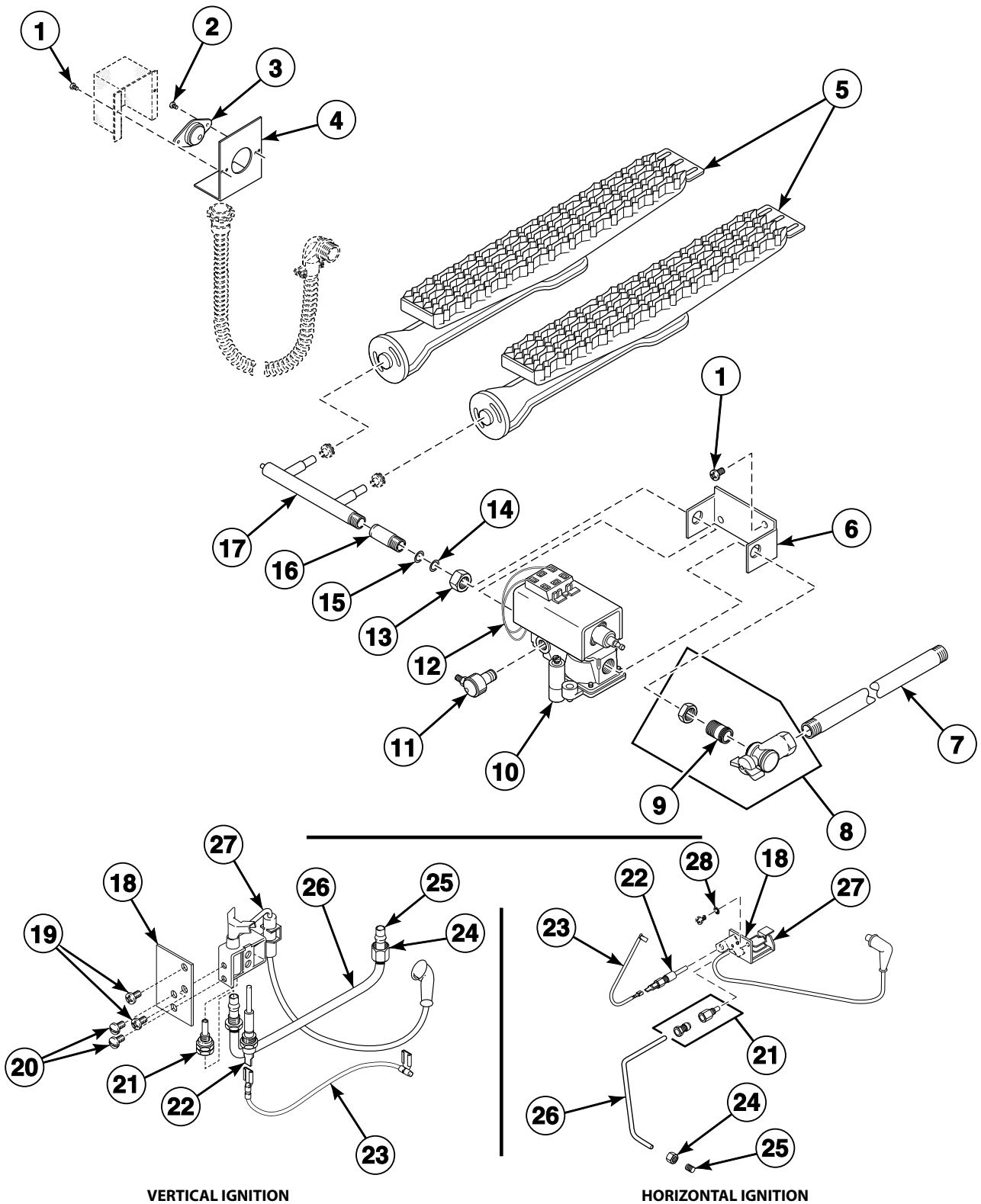
TMB2516P_70410801

Standing Pilot Ignition Gas Valve Components

| REF | PART NO. | DESCRIPTION | COMMENTS |
|-----|----------|----------------------------|---|
| 1 | M400331P | Operator | Magnetic; 240 Volt |
| | M406217P | Magnetic Operator | 120 Volt; Includes gasket |
| 2 | M400337 | Jumper Wire | 50 pound models |
| 3 | N/A | Jumper Wire | 50 pound models |
| 4 | M400329P | Reset Assembly | Basotrol |
| 5 | M412997 | Harness Assembly | CG models; OM control suffix |
| 6 | M413650 | Gas Valve Harness Assembly | CG models; OM control suffix; Reversing and nonreversing; Australia |
| 7 | M400798 | Gasket | |

N/A = Part no longer available

Automatic Pilot Ignition Burner Assembly - 50 Pound Models



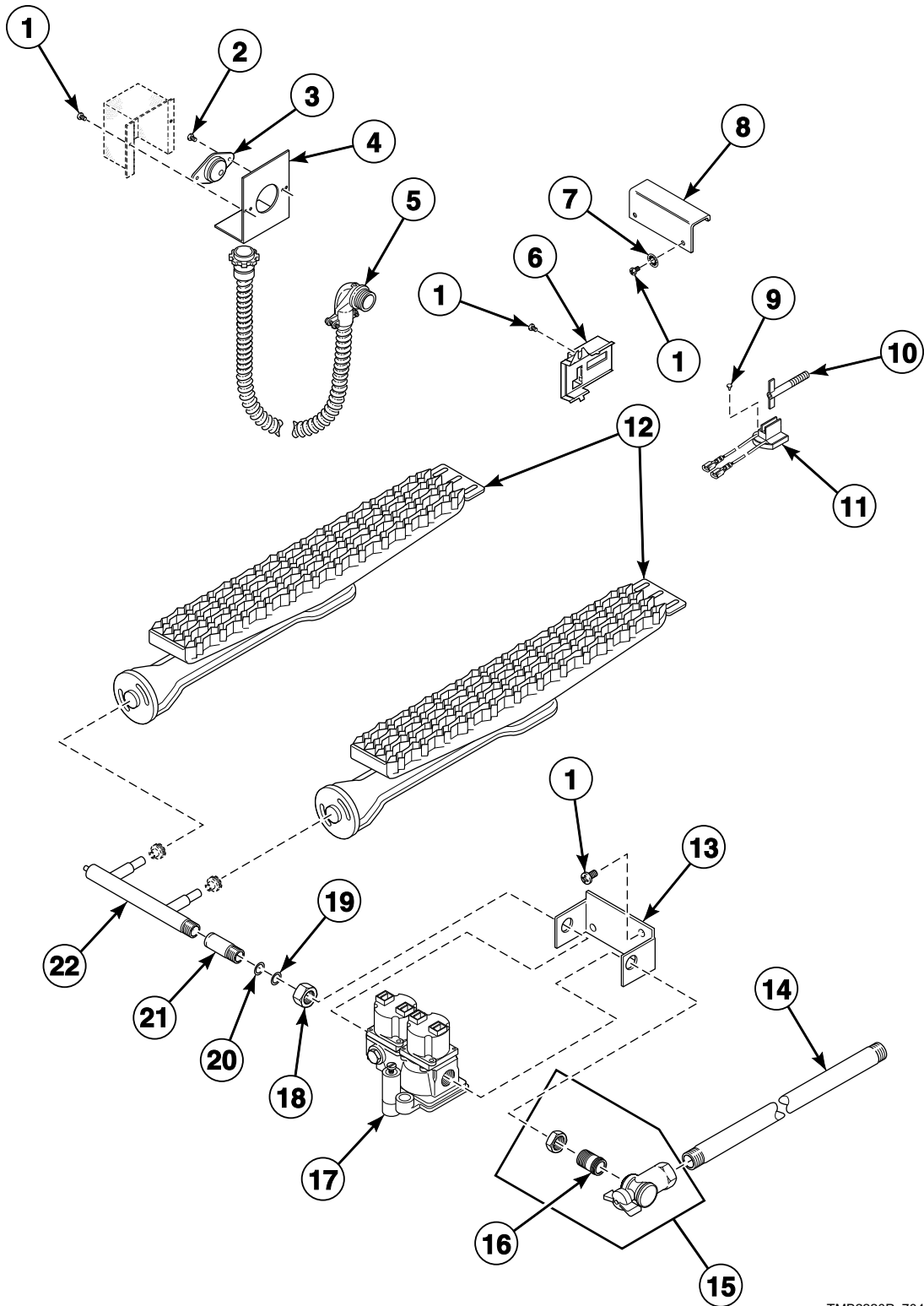
TMB2219P_70410801

Automatic Pilot Ignition Burner Assembly - 50 Pound Models

| REF | PART NO. | DESCRIPTION | COMMENTS |
|-----|----------|------------------------|---|
| | M4337P3 | Igniter Kit | Liquid Petroleum Gas (L.P.); Includes items 18-21 and 23-27 |
| | M4338P3 | Igniter Kit | Natural Gas (N.G.); Includes items 18-21 and 23-27 |
| 1 | M400664 | Screw | |
| 2 | M402797 | Screw | |
| 3 | M401404 | Limit Thermostat | |
| 4 | M402798 | Thermostat Bracket | |
| 5 | M4448P3 | Burner Kit | Includes both burners |
| 6 | N/A | Bracket | |
| 7 | M400749 | Pipe | |
| 8 | M4983P3 | Shut-Off Valve Kit | |
| 9 | 44092201 | Tailpiece | 1/2 inch NPT |
| | 44092202 | Tailpiece | 1/2 inch BPT |
| 10 | M401224P | Gas Valve | N.G.; Regulated |
| | M401225P | Gas Valve Kit | L.P.; Unregulated |
| 11 | N/A | Pilot Filter | |
| 12 | M410011P | Pilot Ignition Control | Blue box |
| | M4385P3 | Remote Igniter Kit | To replace gray box |
| 13 | M401548 | Nut | |
| 14 | M400606 | Washer | |
| 15 | M400605 | Anti-Torque Ring | |
| 16 | M406681 | Manifold Pipe Assembly | |
| 17 | N/A | Manifold | |
| 18 | M402594 | Ignition Bracket | |
| 19 | M409385 | Screw | |
| 20 | N/A | Screw | |
| 21 | M402598 | Burner Orifice | L.P. |
| | M402701 | Burner Orifice | N.G. |
| 22 | M401209P | Sensor Probe | |
| 23 | M402597 | Wire Lead | |
| 24 | M400926 | Nut | |
| 25 | M400925 | Sleeve | Compression |
| 26 | M402596 | Pilot Tubing | |
| 27 | M402591P | Pilot Electrode | |
| 28 | 03815 | Washer | |

N/A = Part no longer available

Glow Bar Ignition Burner Assembly - 50 Pound Models Starting Jan 1982 (PA) Through Aug 1982 (PH)



TMB2220P_70410801

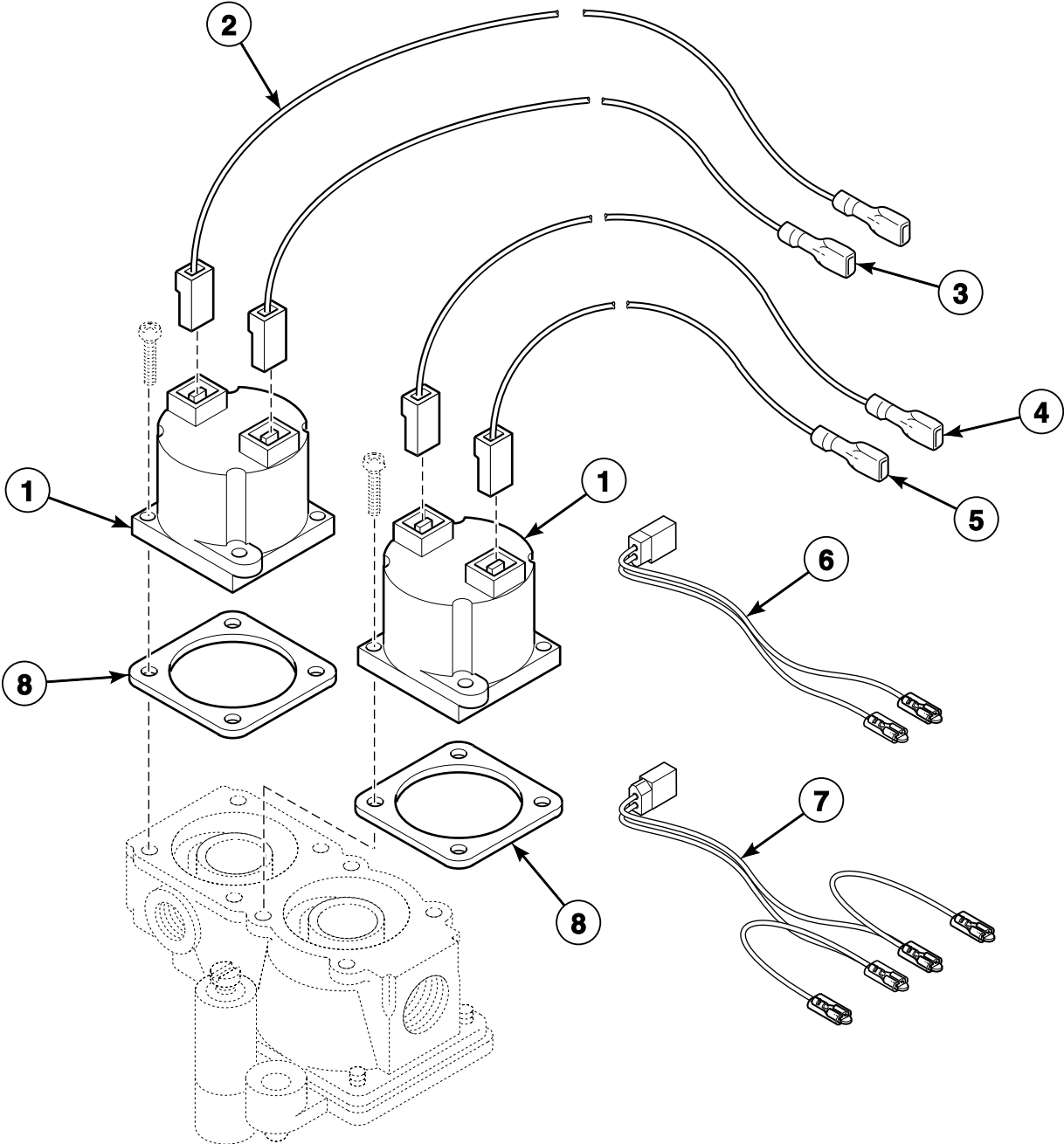
Glow Bar Ignition Burner Assembly - 50 Pound Models Starting Jan 1982 (PA) Through Aug 1982 (PH)

| REF | PART NO. | DESCRIPTION | COMMENTS |
|-----|----------|--------------------------|--|
| 1 | M400664 | Screw | |
| 2 | M402797 | Screw | |
| 3 | M409433 | Limit Thermostat | |
| 4 | M400838 | Thermodisc Bracket | |
| 5 | M403824 | Wire Harness Assembly | CG models |
| | N/A | Wire Harness Assembly | EG models |
| 6 | D510213 | Sensor | |
| 7 | 03815 | Washer | |
| 8 | M402746 | Deflector Shield | |
| 9 | 51782 | Screw | |
| 10 | 55438P | Igniter | |
| 11 | M402745P | Igniter Bracket Assembly | |
| 12 | M4448P3 | Burner Kit | Includes both burners |
| 13 | N/A | Bracket | |
| 14 | M400749 | Pipe | |
| 15 | M4983P3 | Shut-Off Valve Kit | |
| 16 | 44092201 | Tailpiece | 1/2 inch NPT |
| | 44092202 | Tailpiece | 1/2 inch BPT |
| 17 | M402750P | Gas Valve | Basotrol; Natural Gas (N.G.); Regulated; 120 Volt |
| | M403151P | Gas Valve | Basotrol; Liquid Petroleum Gas (L.P.); Unregulated; 120 Volt |
| 18 | M401548 | Nut | |
| 19 | M400606 | Washer | |
| 20 | M400605 | Anti-Torque Ring | |
| 21 | M406681 | Manifold Pipe Assembly | |
| 22 | N/A | Manifold | |

N/A = Part no longer available

Glow Bar Ignition Gas Valve Components - 50 Pound Models

Models Starting January, 1982 (PA) Through August, 1982 (PH)



TMB2517P_70410801

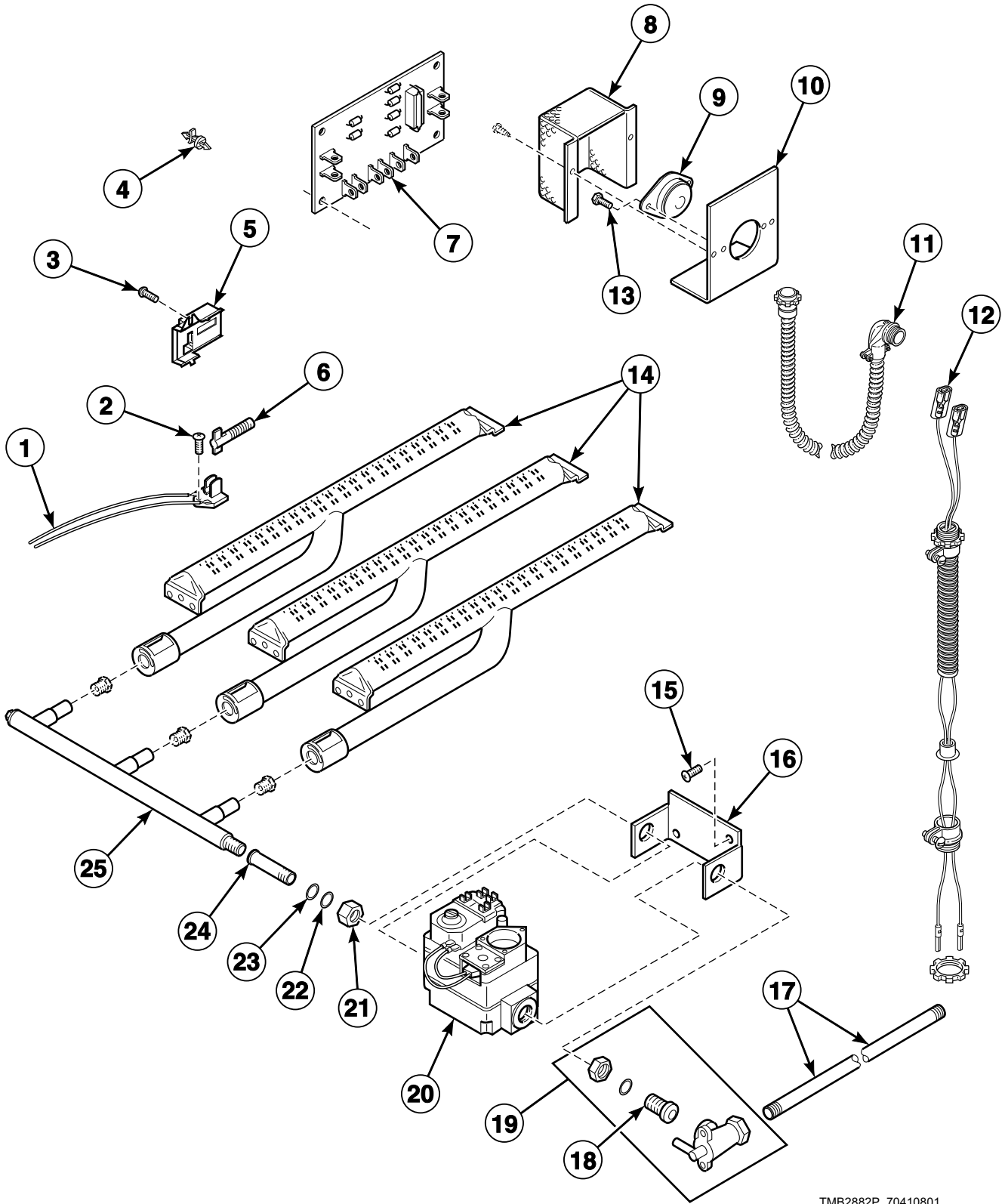
Glow Bar Ignition Gas Valve Components - 50 Pound Models

| REF | PART NO. | DESCRIPTION | COMMENTS |
|-----|----------|----------------------------|---|
| 1 | M406217P | Magnetic Operator | 120 Volt |
| 2 | M402824 | Jumper Wire | Blue |
| 3 | N/A | Jumper Wire | Purple |
| 4 | M402823 | Jumper Wire | Purple |
| 5 | M402825 | Jumper Wire | Blue |
| 6 | M412997 | Harness Assembly | CG models; OM control suffix |
| 7 | M413650 | Gas Valve Harness Assembly | CG models; OM control suffix; Reversing and nonreversing; Australia |
| 8 | M400798 | Gasket | |

N/A = Part no longer available

Glow Bar Ignition Burner Assembly

Models Starting September, 1982 (PJ) Through May, 1991 (ZE)



TMB2882P_70410801

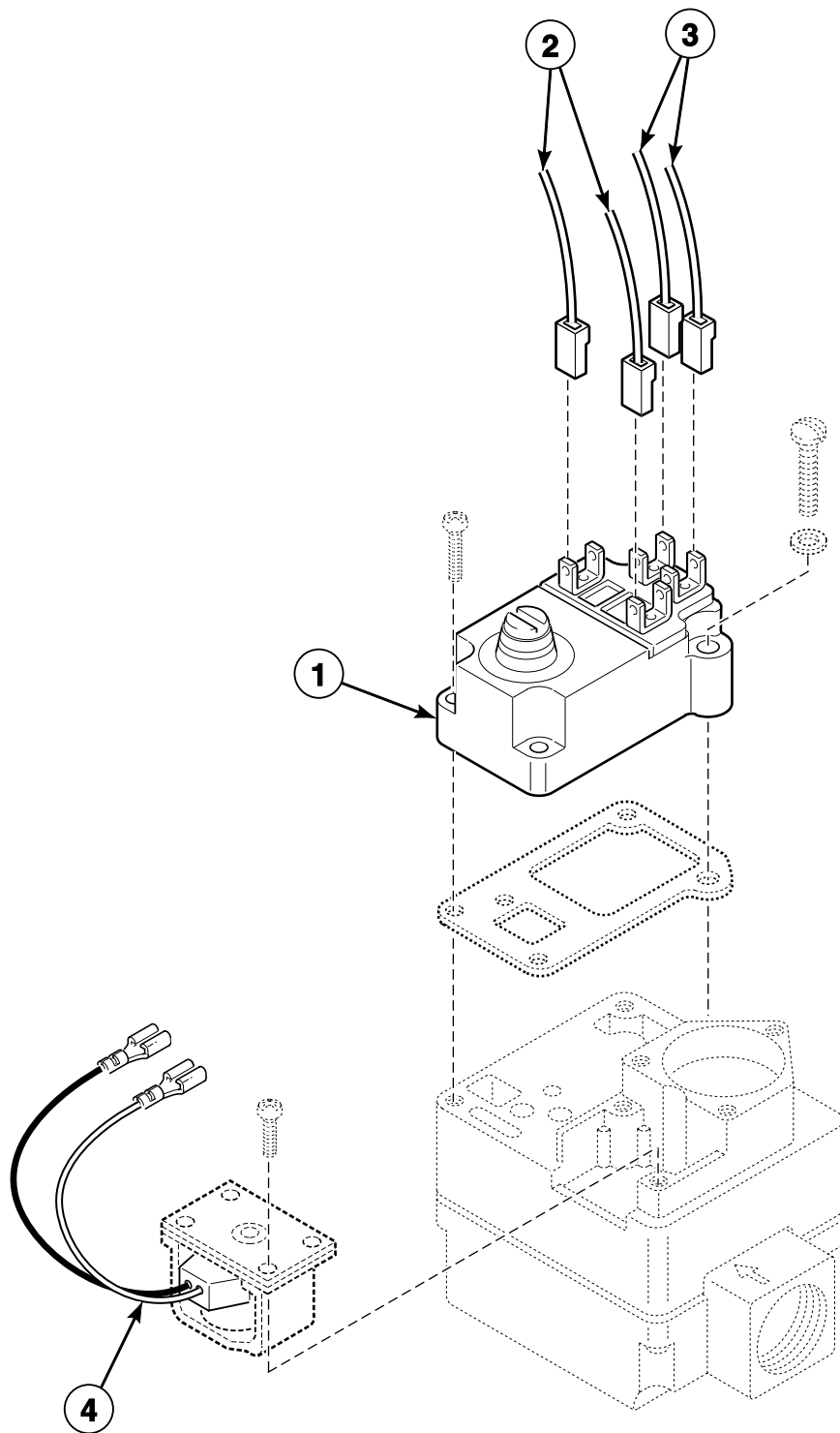
Glow Bar Ignition Burner Assembly

| REF | PART NO. | DESCRIPTION | COMMENTS |
|-----|----------|--------------------------|---|
| | M4454P3 | L.P. Conversion Kit | 75CG models; Natural Gas (N.G.) to Liquid Petroleum Gas (L.P.) |
| | M4379P3 | L.P. Conversion Kit | 50CG models; N.G. to L.P. |
| | M4478P3 | L.P. Conversion Kit | 75EG models; N.G. to L.P. |
| | M4609P3 | L.P. Conversion Kit | 634 and FG models; N.G. to L.P. |
| | M413657P | Gas Stove Assembly | 634 models |
| 1 | M402745P | Igniter Bracket Assembly | |
| 2 | 51782 | Screw | |
| 3 | M400664 | Screw | |
| 4 | M405979 | Circuit Board Support | |
| 5 | D510213 | Sensor | |
| 6 | 55438P | Igniter | |
| 7 | M405897P | Diode Logic Board | Located in front control area |
| 8 | M414477 | Thermostat Cover | |
| 9 | M409433 | Limit Thermostat | 50 pound models |
| | M410220 | Limit Thermostat | 75EG models |
| | M401404 | Limit Thermostat | All other 75 pound models |
| 10 | M400838 | Thermodisc Bracket | 50 pound models |
| | M406882 | Thermostat Bracket | 75 pound models |
| 11 | M403824 | Wire Harness Assembly | 50CG models |
| | N/A | Wire Harness Assembly | 50EG models |
| 12 | M412920 | Thermostat Harness | 75 pound DC, JC and SC models; 230 Volt/50 Hertz/1 Phase; Cabinet mounted airflow switch |
| 13 | M402797 | Screw | |
| 14 | M405919 | Burner Assembly | 2 required for 50 pound models; 3 required for 75 pound models; Models through Serial No. 724078ZF |
| | M410541P | Burner Assembly | 2 required for 50 pound models; 3 required for 75 pound models; Models starting Serial No. 724079ZF |
| 15 | M405188 | Screw | |
| 16 | N/A | Bracket | Models through Serial No. 724078ZF |
| | M406814 | Gas Valve Bracket | Models starting Serial No. 724079ZF |
| 17 | M400749 | Pipe | |
| 18 | 44092201 | Tailpiece | 1/2 inch NPT |
| | 44092202 | Tailpiece | 1/2 inch BPT |
| 19 | M4983P3 | Shut-Off Valve Kit | |
| 20 | M4987P3 | L.P. Gas Valve Kit | L.P.; Unregulated; 120 Volt |
| | M4986P3 | N.G. Gas Valve Kit | N.G.; Regulated; 120 Volt |
| 21 | M401548 | Nut | |
| 22 | M400605 | Anti-Torque Ring | |
| 23 | M400606 | Washer | |
| 24 | M406681 | Manifold Pipe Assembly | |
| 25 | N/A | Manifold | 50 pound models |
| | M406810 | Spud Holder Assembly | 75 pound models |

N/A = Part no longer available

Glow Bar Ignition Gas Valve Coil and Wires

Models Starting September, 1982 (PJ) Through May, 1991 (ZE)



T043P_70410801

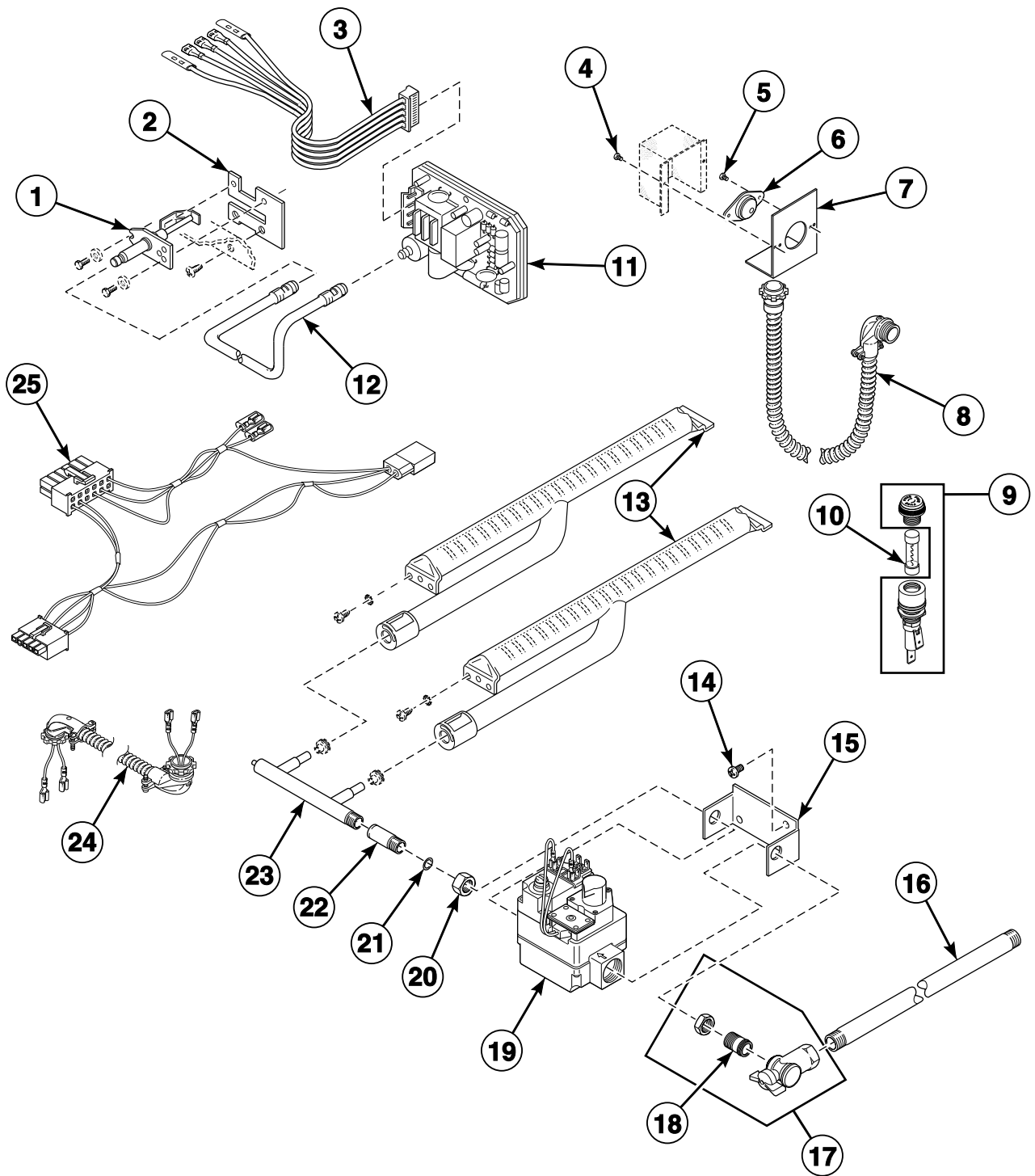
Glow Bar Ignition Gas Valve Coil and Wires

| REF | PART NO. | DESCRIPTION | COMMENTS |
|-----|----------|---------------------------|--|
| | M405434P | L.P. Valve Conversion Kit | 75 pound models; To convert new coil for use on Liquid Petroleum Gas (L.P.) models |
| 1 | M405430 | Main Coil | |
| 2 | N/A | Jumper Wire | Purple |
| 3 | M404868 | Jumper Wire | Blue |
| 4 | N/A | Redundant Coil | Not available as a separate part, order new valve |

N/A = Part no longer available

Instant Electronic Ignition Burner Assembly

50 Pound Models Starting June, 1991 (ZF)



TMB2520P_70410801

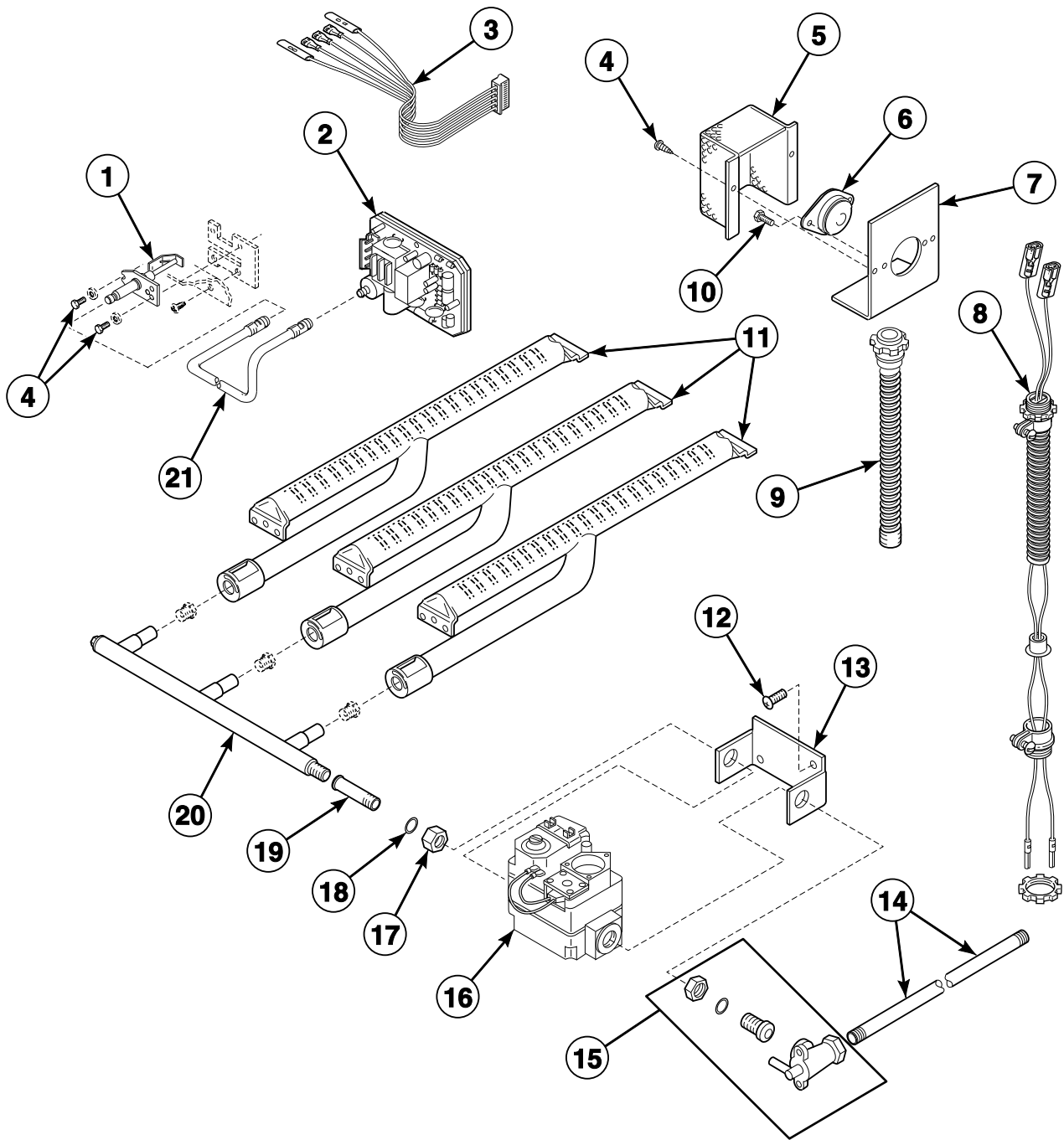
Instant Electronic Ignition Burner Assembly

| REF | PART NO. | DESCRIPTION | COMMENTS |
|-----|-----------|--------------------------------|---|
| | M4379P3 | L.P. Conversion Kit | CG models; Natrual Gas (N.G.) to Liquid Petroleum Gas (L.P.) |
| | M414795 | Stove Assembly | |
| 1 | 44328701P | Spark Electrode | |
| 2 | M406936 | Bracket | |
| 3 | M410599 | Wire Harness Assembly | |
| | M406880 | Ignition Wire Harness Assembly | |
| 4 | M400664 | Screw | |
| 5 | M402797 | Screw | |
| 6 | M401404 | Limit Thermostat | EG models |
| | M409433 | Limit Thermostat | CG models |
| 7 | M400838 | Thermodisc Bracket | |
| 8 | M403824 | Wire Harness Assembly | EG models |
| | N/A | Wire Harness Assembly | CG models |
| 9 | 91024P | Fuse Receptacle | |
| 10 | 430836 | Fuse | 3/4 Amp; 250 Volt; DT, JT and ST models; 480 Volt/60 Hertz/3 Phase with MT control suffix |
| 11 | M406789P | Ignition Control | 120 Volt |
| | 44264601 | Ignition Control Kit | 24 Volt |
| 12 | M406881 | High Voltage Lead | Use with M406789P or 70367301P Ignition Control |
| | 44239704 | High Voltage Suppression Cable | Use with 70458601P Ignition Control |
| 13 | M405919 | Burner Assembly | 2 required; Models through Serial No. 724077ZE |
| | M410541P | Burner Assembly | 2 required; Models starting Serial No. 724078ZF |
| 14 | M405188 | Screw | |
| 15 | M405945 | Gas Valve Bracket | Models through Serial No. 724077ZE |
| | M406814 | Gas Valve Bracket | Models starting Serial No. 724078ZF |
| 16 | M400749 | Pipe | |
| 17 | M4983P3 | Shut-Off Valve Kit | |
| 18 | 44092201 | Tailpiece | 1/2 inch NPT |
| | 44092202 | Tailpiece | 1/2 inch BPT |
| 19 | M409152P | Gas Valve Assembly | 60 Hertz; N.G.; Regulated |
| | M409153P | Gas Valve Assembly | 60 Hertz; L.P.; Unregulated |
| | M409517P | Gas Valve | 50 Hertz; N.G.; Regulated |
| | M409561P | Gas Valve Assembly | 50 Hertz; L.P.; Unregulated |
| | M413332P | Gas Valve | 24 Volt; N.G.; Regulated |
| | M4909P3 | Valve Replacement Kit | 24 Volt; L.P.; Unregulated |
| 20 | M401548 | Nut | |
| 21 | M400605 | Anti-Torque Ring | |
| 22 | M406681 | Manifold Pipe Assembly | |
| 23 | N/A | Manifold | Models through Serial No. 724077ZE |
| | M410546 | Spud Holder Assembly | Models starting Serial No. 724078ZF |
| 24 | M412609 | Stove Limit Harness Assembly | CG models; OM control suffix; Reversing and nonreversing; Airflow switch to stove high limit thermostat |
| 25 | M413678P | Control Box Harness Assembly | CG models; OM control suffix |

N/A = Part no longer available

Gas Burner Components for Electronic Ignition

75 Pound Models



TMB2490P_70410801

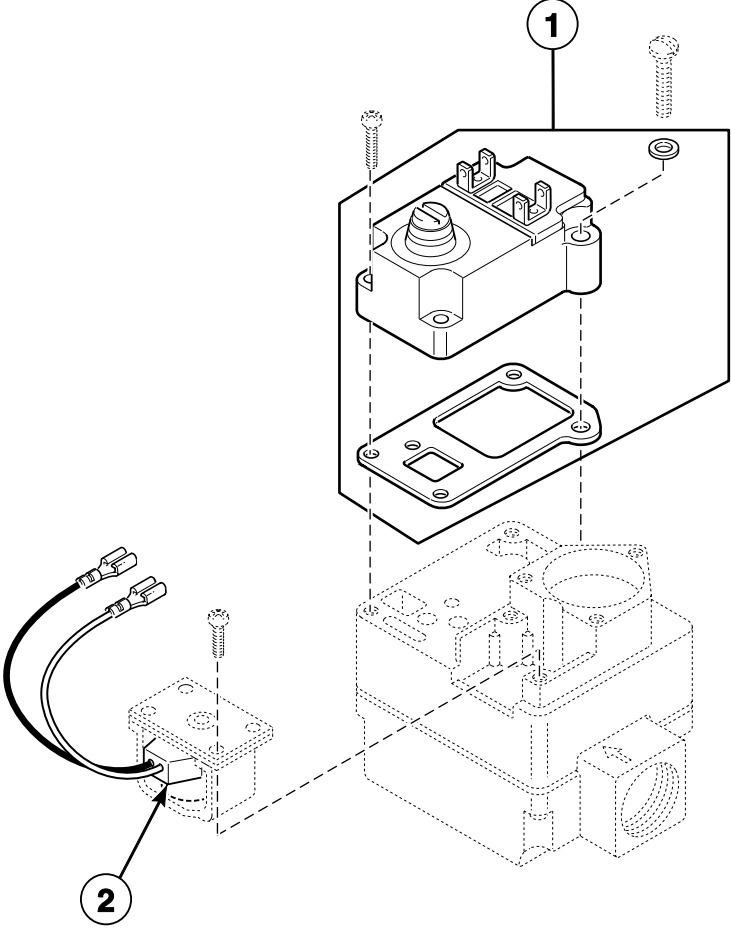
Gas Burner Components for Electronic Ignition

| REF | PART NO. | DESCRIPTION | COMMENTS |
|-----|-----------|-----------------------------------|---|
| | M4454P3 | L.P. Conversion Kit | CG models; Used to convert Natural Gas (N.G.) to Liquid Petroleum Gas (L.P.) |
| | M4478P3 | L.P. Conversion Kit | EG models; Used to convert N.G. to L.P. |
| | M4609P3 | L.P. Conversion Kit | 634 and FG models; Used to convert N.G. to L.P. |
| | M413657P | Gas Stove Assembly | 634 models |
| | M414366 | Gas Stove Assembly | All other models |
| 1 | 44328701P | Spark Electrode | |
| 2 | M406789P | Ignition Control | MM and MT control suffixes; 120 Volt |
| | 44264601 | Ignition Control Kit | OM control suffix; 24 Volt |
| 3 | M406880 | Ignition Wire Harness Assembly | MM and MT control suffixes |
| | M413678P | Control Box Harness Assembly | OM control suffix |
| 4 | M400664 | Screw | |
| 5 | M414477 | Thermostat Cover | |
| 6 | M410220 | Limit Thermostat | 634 and EG models |
| | M401404 | Limit Thermostat | CG models |
| 7 | M406882 | Thermostat Bracket | |
| 8 | M412920 | Thermostat Harness | DC, JC and SC models; 230 Volt/50 Hertz/1 Phase; Cabinet mounted airflow switch |
| 9 | N/A | Stove Limit Wire Harness Assembly | MM and MT control suffixes |
| | M413691 | Stove Limit Harness Assembly | OM control suffix |
| | M413499 | Stove Limit Wire Harness Assembly | 634 and FG models |
| 10 | M402797 | Screw | |
| 11 | M405919 | Burner Assembly | 3 required; Models through Serial No. 724078ZF |
| | M410541P | Burner Assembly | 3 required; Models starting Serial No. 724079ZF |
| 12 | M405188 | Screw | |
| 13 | M406814 | Gas Valve Bracket | Models starting Serial No. 724079ZF |
| | M405945 | Gas Valve Bracket | Models through Serial No. 724078ZF |
| 14 | M400749 | Pipe | |
| 15 | M4983P3 | Shut-Off Valve Kit | |
| 16 | M409152P | Gas Valve Assembly | N.G.; CD, MM and MT control suffixes; 120 Volt/60 Hertz |
| | M409153P | Gas Valve Assembly | L.P.; CD, MM and MT control suffixes; 120 Volt/60 Hertz |
| | M409517P | Gas Valve | N.G.; CD, MM and MT control suffixes; 120 Volt/50 Hertz |
| | M409561P | Gas Valve Assembly | L.P.; CD, MM and MT control suffixes; 120 Volt/50 Hertz |
| | 44138701P | Gas Valve Kit | L.P.; OM control suffix; 24 Volt/50 Hertz |
| | M4897P3 | L.P. Gas Valve Kit | OM control suffix; 24 Volt/60 Hertz |
| | M413468P | Gas Valve Kit | N.G.; OM control suffix; 24 Volt/50 and 60 Hertz |
| 17 | M401548 | Nut | |
| 18 | M400605 | Anti-Torque Ring | |
| 19 | M406681 | Manifold Pipe Assembly | |
| 20 | M406810 | Spud Holder Assembly | |
| 21 | M406881 | High Voltage Lead | Use with M406789P or 70367301P Ignition Control |
| | 44239704 | High Voltage Suppression Cable | Use with 70458601P Ignition Control |

N/A = Part no longer available

Instant Electronic Ignition Gas Valve Coil and Wires

Models Starting June, 1991 (ZF)



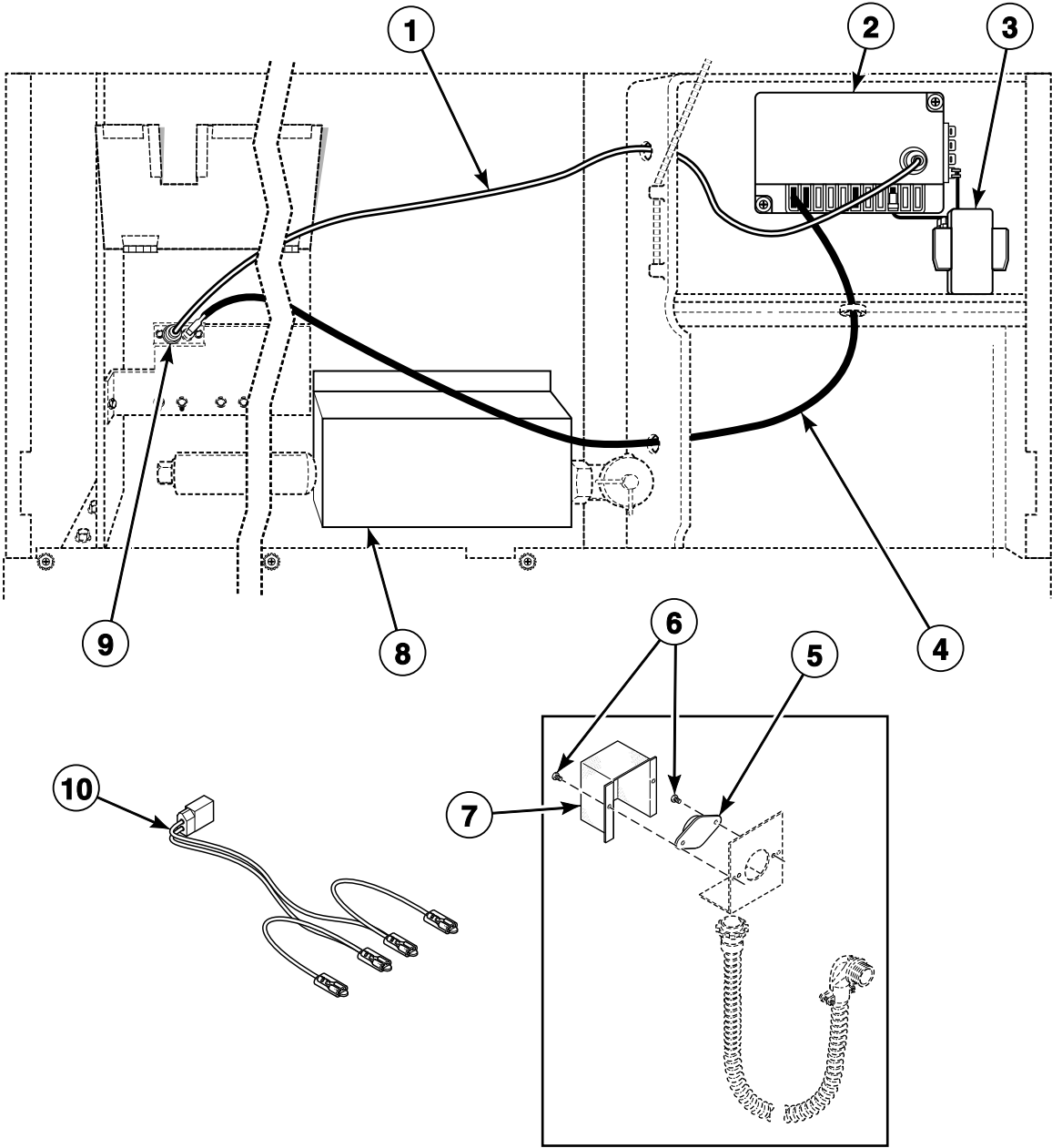
TMB2223P_70410801

Instant Electronic Ignition Gas Valve Coil and Wires

| REF | PART NO. | DESCRIPTION | COMMENTS |
|-----|-----------|---------------------------|--|
| | M405434P | L.P. Valve Conversion Kit | 75 pound models; Included with M4454P3 L.P. Conversion Kit and M4478P3 L.P. Conversion Kit |
| 1 | M411134 | Gas Valve Main Coil | 120 Volt; Includes gasket |
| | 44042901P | Gas Valve Coil | 24 Volt; 60 Hertz |
| | M413332P | Gas Valve | 50 pound models; 24 Volt; Natural Gas (N.G.); Regulated |
| | M4909P3 | Valve Replacement Kit | 50 pound models; 24 Volt; Liquid Petroleum Gas (L.P.); Unregulated |
| | M413468P | Gas Valve Kit | 50 pound models; N.G.; 24 Volt/60 Hertz |
| | M409152P | Gas Valve Assembly | 50 pound models; N.G.; 120 Volt/60 Hertz |
| | 44154501P | Gas Valve | 50 pound models; 50 Hertz; N.G. |
| | M4897P3 | L.P. Gas Valve Kit | 50 pound models; 60 Hertz; L.P. |
| | 44138701P | Gas Valve Kit | 50 pound models; 50 Hertz; L.P. |
| 2 | N/A | Redundant Coil | Not available as separate part, order new valve |

N/A = Part no longer available

Burner Assembly for Australian Models



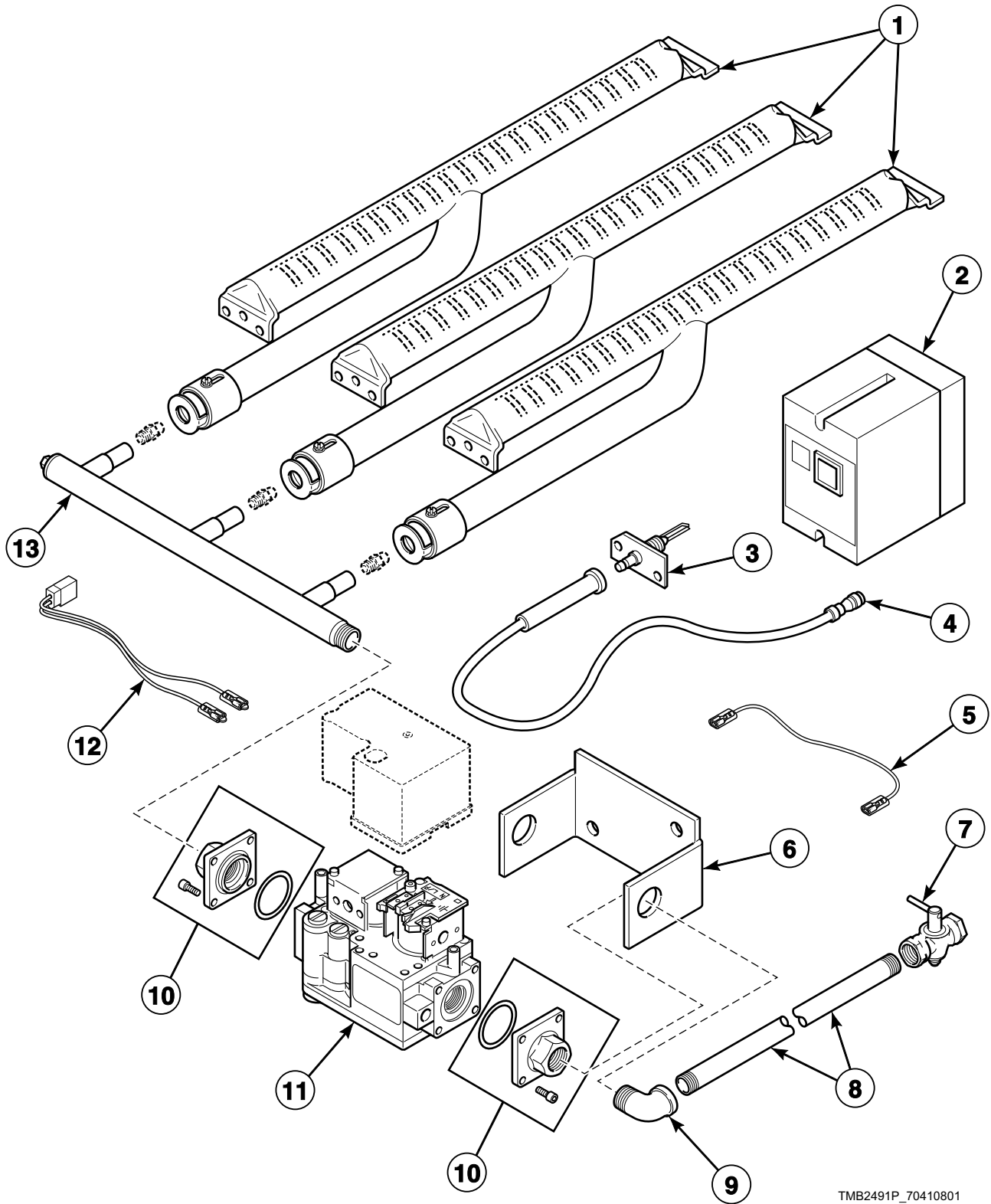
TMB2489P_70410801

Burner Assembly for Australian Models

| REF | PART NO. | DESCRIPTION | COMMENTS |
|-----|----------|-------------------------------------|--|
| 1 | N/A | High Voltage Lead | |
| 2 | M410904P | Instant Electronic Ignition Control | 24 Volt |
| 3 | N/A | Transformer | 240 Volt Primary/24 Volt Secondary |
| 4 | N/A | Sensor Jumper Wire | |
| 5 | M411943 | Manual Reset Thermostat | |
| 6 | M400664 | Screw | |
| 7 | M414477 | Thermostat Cover | |
| 8 | M410907P | Gas Valve | Natural Gas (N.G.) |
| | M410908 | Gas Valve | Liquid Petroleum Gas (L.P.) |
| 9 | M410905P | Spark Igniter | |
| 10 | M413650 | Gas Valve Harness Assembly | OM control suffix; Dual coil connection; Johnson gas valve |

N/A = Part no longer available

Gas Valve Assembly for Dungs/B-M System



TMB2491P_70410801

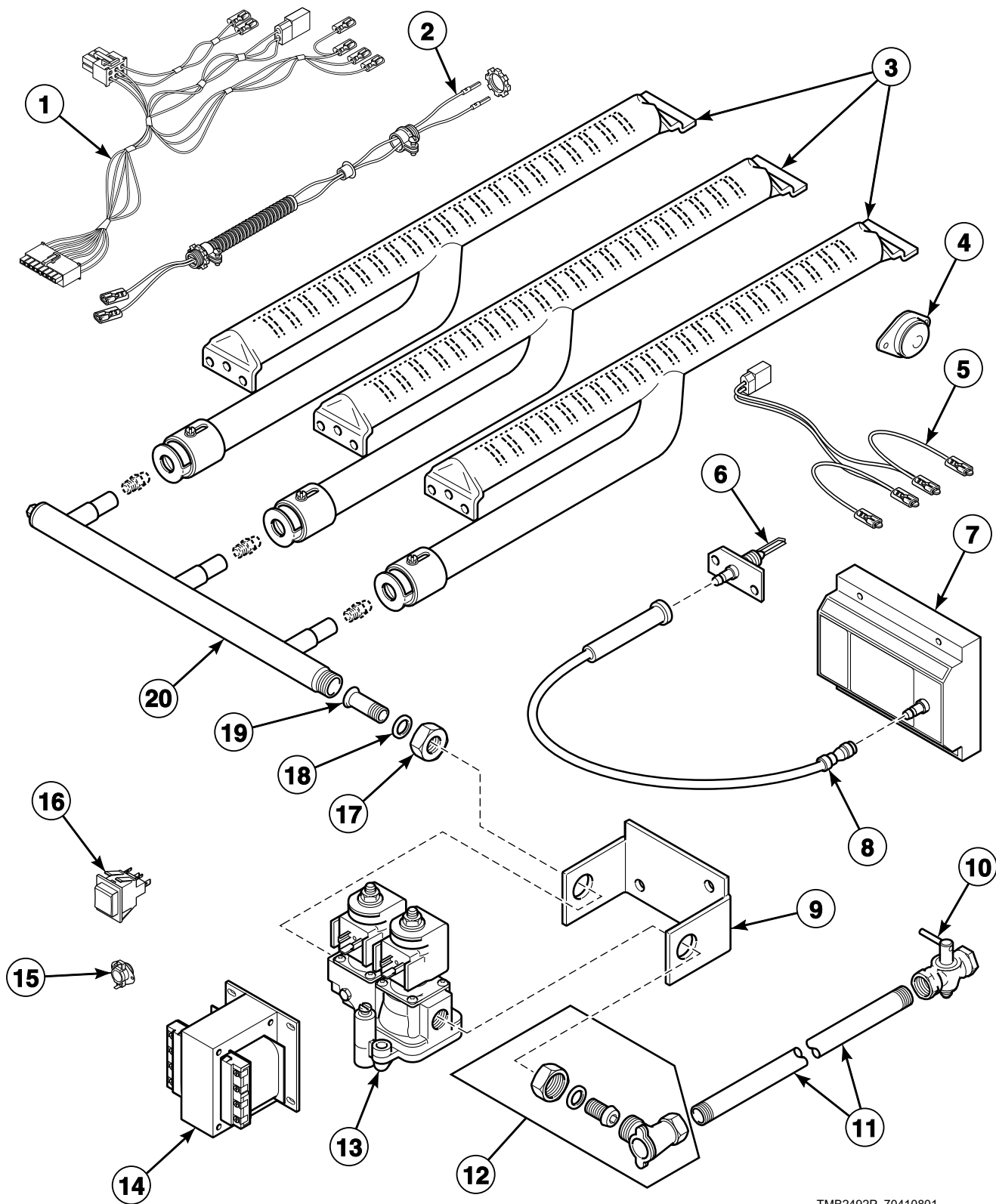
Gas Valve Assembly for Dungs/B-M System

| REF | PART NO. | DESCRIPTION | COMMENTS |
|-----|-----------|---------------------------|---|
| | 607P3 | Channel Ignition Kit | Replaces ignition control |
| 1 | M410541P | Burner Assembly | 2 required for 50 pound models; 3 required for 75 pound models |
| 2 | M4898P3 | Ignition Control | |
| 3 | 44328701P | Spark Electrode | |
| 4 | N/A | Ignition Control Cable | |
| 5 | M412645 | Jumper Wire Assembly | Ground |
| 6 | N/A | Gas Valve Bracket | |
| 7 | M412562P | Gas Shut-Off Valve | |
| 8 | M400749 | Pipe | |
| 9 | H86070034 | Street Elbow | |
| 10 | M412568 | Gas Valve Flange Assembly | |
| 11 | N/A | Gas Valve | |
| 12 | M412997 | Harness Assembly | DC, JC and SC models; OM control suffix; Single coil connection |
| 13 | N/A | Spud Holder | |

N/A = Part no longer available

Gas System

Channel/Johnson



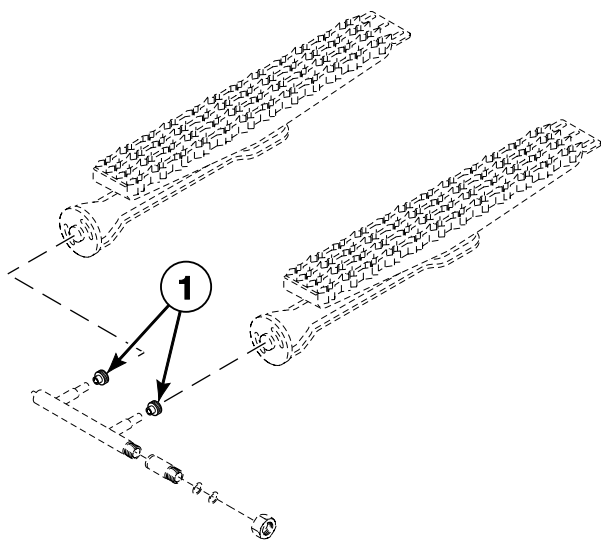
TMB2492P_70410801

Gas System

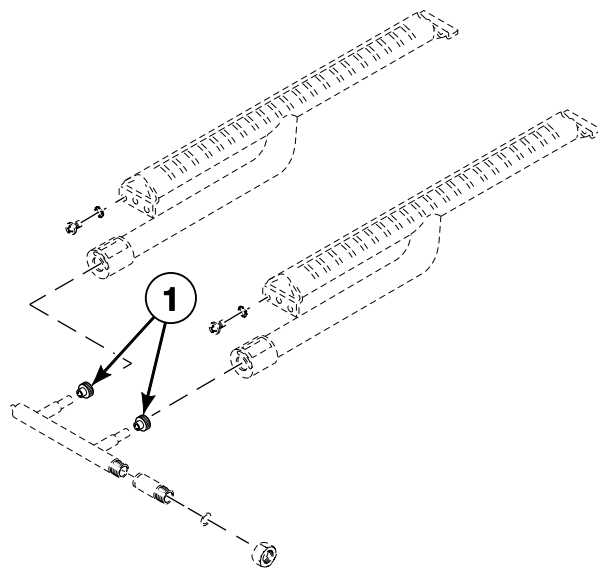
| REF | PART NO. | DESCRIPTION | COMMENTS |
|-----|-----------|-----------------------------------|---|
| 1 | M413548 | Ignition Control Harness Assembly | 75 pound DC, JC and SC models; Manual timer and mechanical coin drop with bulb thermostat |
| 2 | M412920 | Thermostat Harness | 75 pound DC, JC and SC models; 230 Volt/50 Hertz/1 Phase; Cabinet mounted airflow switch |
| 3 | M410541P | Burner Assembly | 2 required for 50 pound models; 3 required for 75 pound models |
| 4 | N/A | Thermostat | |
| 5 | M413650 | Gas Valve Harness Assembly | OM control suffix; Australian; Dual coil connection |
| 6 | 44328701P | Spark Electrode | |
| 7 | 70483201P | Ignition Control | |
| 8 | M406881 | High Voltage Lead | |
| 9 | M406814 | Gas Valve Bracket | |
| 10 | M412562P | Gas Shut-Off Valve | |
| 11 | M400749 | Pipe | |
| 12 | M4983P3 | Shut-Off Valve Kit | |
| 13 | M413332P | Gas Valve | |
| 14 | M413100P | Transformer | 208-240 Volt/60 Hertz/3 Phase |
| 15 | M410220 | Limit Thermostat | Manual reset |
| 16 | M413431 | Pushbutton Switch | Lighted; DC, JC and SC models |
| 17 | M401548 | Nut | |
| 18 | M400605 | Anti-Torque Ring | |
| 19 | M413395 | Manifold Pipe Assembly | |
| 20 | M410546 | Spud Holder Assembly | 50 pound models |
| | M406810 | Spud Holder Assembly | 75 pound models |

N/A = Part no longer available

Burner Orifices - DT, JT, ST and TKD Models



**Standing Pilot Ignition
Automatic Pilot Ignition
Glow Bar Ignition
Models Starting January 1982 (PA)
Through August 1982 (PH)**



**Glow Bar Ignition
Models Starting September 1982 (PJ)
Through May 1991 (ZE)
Instant Electronic Ignition
Models Starting June 1991 (ZF)**

Note: 50 pound models use 2 orifices and 75 pound models use 3 orifices.

TMB2113P_70410801

Burner Orifices - DT, JT, ST and TKD Models

| REF | PART NO. | DESCRIPTION | COMMENTS |
|-----|----------|----------------|---|
| 1 | M401021 | Burner Orifice | Natural Gas (N.G.); Drill no. 30 (3.3 mm); EG models 0-2,000 feet; CG and FG models 4,001-8,000 feet |
| | M401017 | Burner Orifice | N.G.; Drill no. 31 (3.0 mm); EG models 2,001-6,000 feet; CG and FG models 6,001-10,000 feet |
| | N/A | Burner Orifice | N.G.; Drill no. 32 (2.9 mm); EG models 6,001-8,000 feet |
| | M401022 | Burner Orifice | N.G.; Drill no. 33 (2.9 mm); EG models 8,001-10,000 feet |
| | M401001 | Burner Orifice | Liquid Petroleum Gas (L.P.); Drill no. 48 (1.9 mm); EG models 0-2,000 feet; CG and FG models 6,001-8,000 feet |
| | N/A | Burner Orifice | L.P.; Drill no. 49 (1.8 mm); EG models 2,001-4,000 feet; CG and FG models 8,001-10,000 feet |
| | M401016 | Burner Orifice | L.P.; Drill no. 50 (1.8 mm); EG models 4,001-6,000 feet |
| | M401019 | Burner Orifice | L.P.; Drill no. 51 (1.7 mm); EG models 6,001-8,000 feet |
| | M401025 | Burner Orifice | L.P.; Drill no. 52 (1.6 mm); EG models 8,001-10,000 feet |
| | M401002 | Burner Orifice | N.G.; Drill no. 20 (4.1 mm); Models DTB634 and STB634 0-2,000 feet |
| | M401020 | Burner Orifice | N.G.; Drill no. 23 (3.9 mm); Models DTB634 and STB634 2,001-4,000 feet |
| | M402997 | Burner Orifice | N.G.; Drill no. 25 (3.8 mm); Models DTB634 and STB634 4,001-6,000 feet |
| | M400998 | Burner Orifice | N.G.; Drill no. 27 (3.7 mm); Models DTB634 and STB634 6,001-8,000 feet |
| | M400997 | Burner Orifice | N.G.; Drill no. 29 (3.4 mm); Models DTB634 and STB634 8,001-10,000 feet |
| | N/A | Burner Orifice | L.P.; Drill no. 40 (2.5 mm); Use M4743P3 L.P. Valve Kit to replace; Models DTB634 and STB634 0-2,000 feet |
| | M403017 | Burner Orifice | L.P.; Drill no. 42 (2.4 mm); Models DTB634 and STB634 2,001-4,000 feet |
| | M406184 | Burner Orifice | L.P.; Drill no. 43 (2.3 mm); Models DTB634 and STB634 4,001-6,000 feet |
| | M401011 | Burner Orifice | L.P.; Drill no. 44 (2.2 mm); Models DTB634 and STB634 6,001-8,000 feet |
| | M401027 | Burner Orifice | L.P.; Drill no. 45 (2.1 mm); Models DTB634 and STB634 8,001-10,000 feet |
| | M401014 | Burner Orifice | N.G.; Drill no. 28 (3.6 mm); CG and FG models 0-2,000 feet |
| | M400997 | Burner Orifice | N.G.; Drill no. 29 (3.4 mm); CG and FG models 2,001-4,000 feet |
| | M401027 | Burner Orifice | L.P.; Drill no. 45 (2.1 mm); CG and FG models 0-2,000 feet |
| | M401003 | Burner Orifice | L.P.; Drill no. 46 (2.1 mm); CG and FG models 2,001-4,000 feet |
| | M400999 | Burner Orifice | L.P.; Drill no. 47 (2.0 mm); CG and FG models 4,001-6,000 feet |

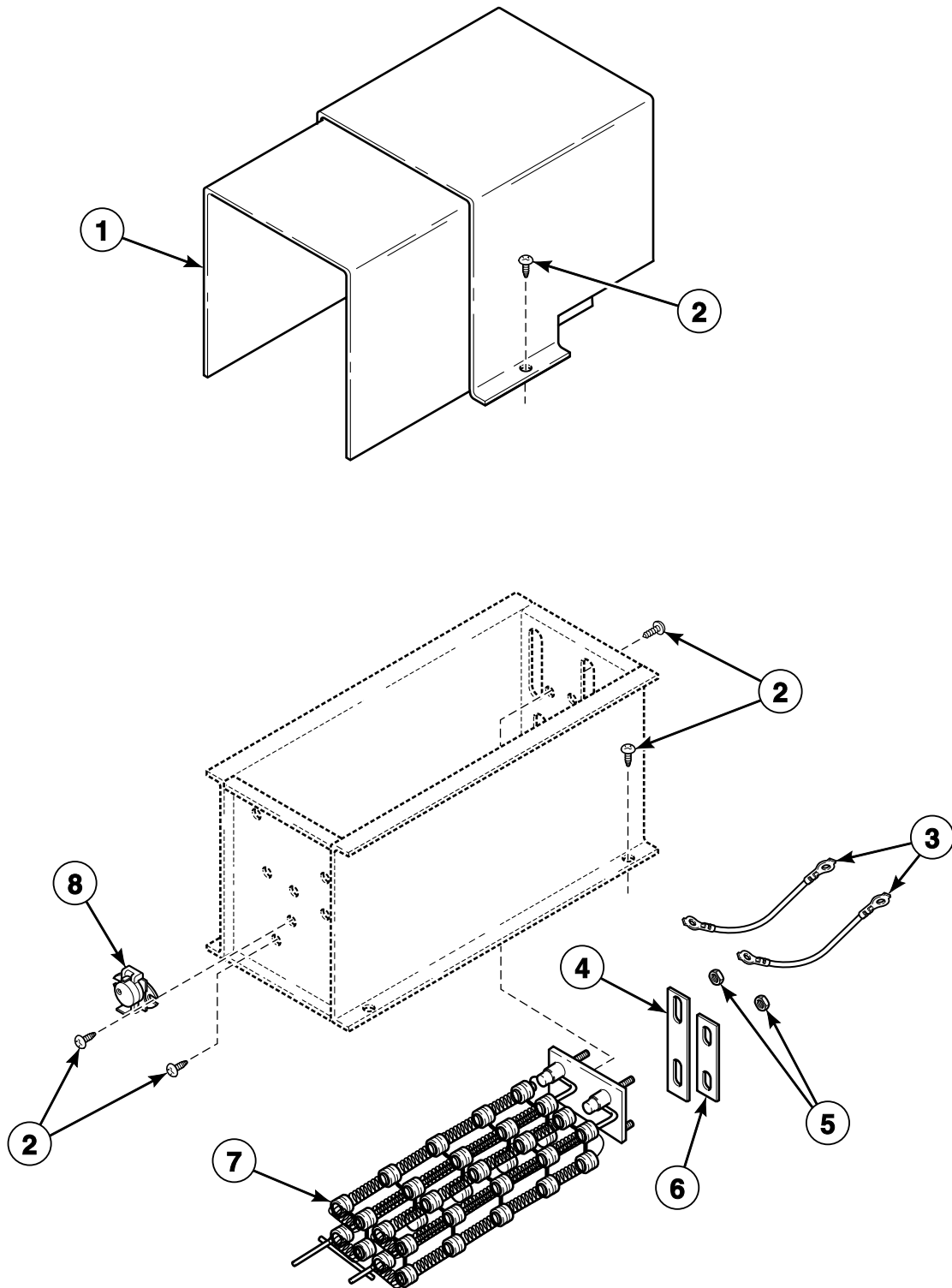
N/A = Part no longer available

NOTE: For CE gas and orifice information, refer to Installation Manual.

NOTE: 50 pound models use 2 orifices and 75 pound models use 3 orifices.

Electric Heater Components and Thermostat (Drawing 1 of 3)

50 Pound Models Through Serial No. 9412024947 and 75 Pound Models Through Serial No. 9304053995



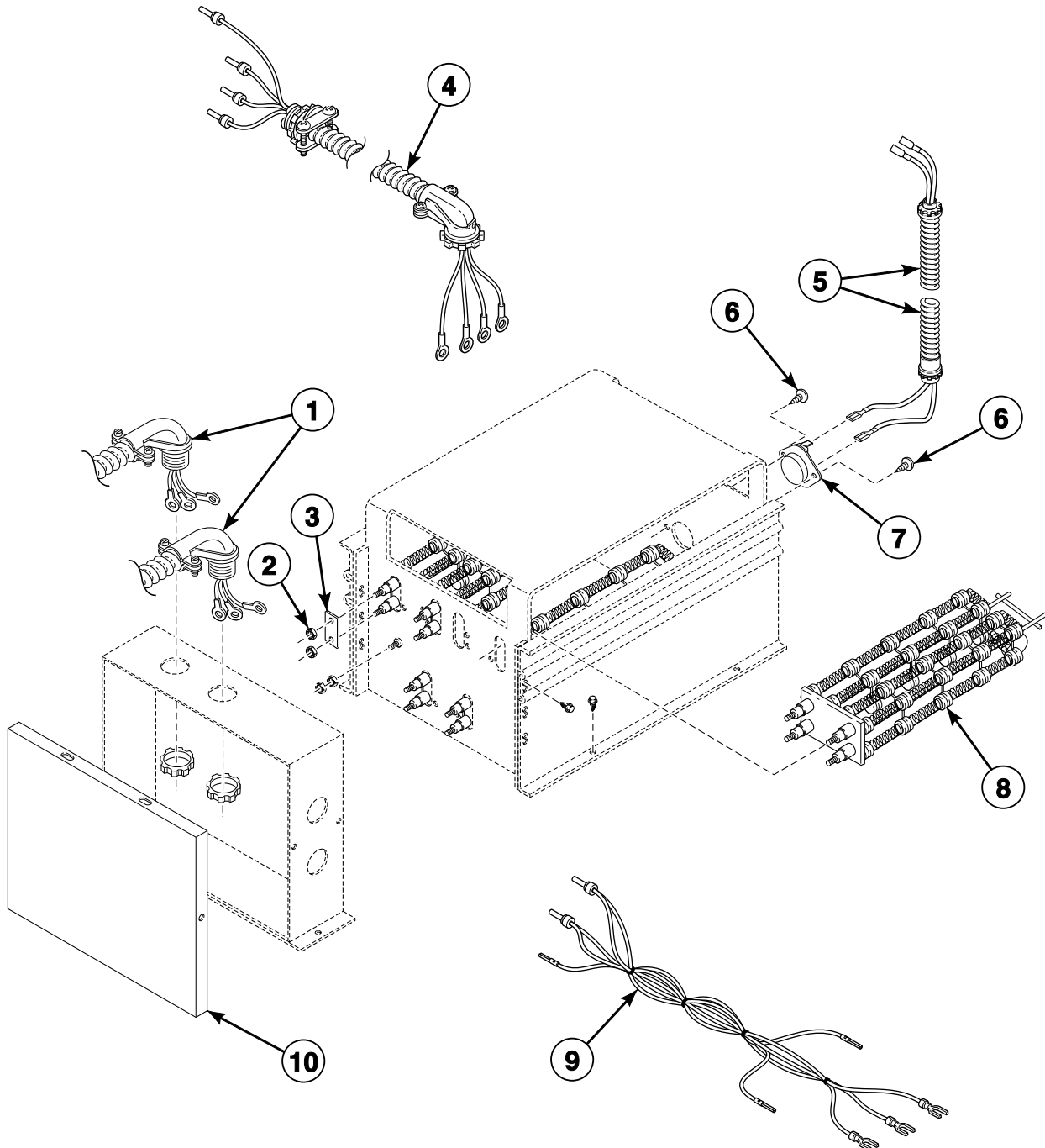
TMB2263P_70410801

Electric Heater Components and Thermostat (Drawing 1 of 3)

| REF | PART NO. | DESCRIPTION | COMMENTS |
|-----|----------|----------------------|---|
| 1 | M401159 | Hood Assembly | |
| 2 | M400664 | Screw | |
| 3 | M401281 | Jumper Wire Assembly | 6 required for 208 or 240 Volt; 3 required for 380, 415 or 480 Volt |
| | M403743 | Jumper Wire Assembly | 1 required for 480 Volt |
| 4 | M400866 | Jumper Bar | 6 required for 208 or 240 Volt; 3 required for 380-415 Volt; 2 required for 480 Volt |
| 5 | Q6163 | Nut | |
| 6 | M400869 | Jumper Strip | 6 required for 208-240 Volt and 380-415 Volt; 3 required for 480 Volt |
| 7 | M405253P | Heater Element | 3 required; 21 kW; 7 kW; Models through Serial No. 9303030868 |
| | M405254P | Heater Element | 3 required; 208 Volt/60 Hertz; 10 kW; Models through Serial No. 9303030868 |
| | M405255P | Heater Element | 3 required; 380 Volt/50 Hertz; 10 kW; 220 Volt; Models through Serial No. 9303030868 |
| | M405256P | Heater Element | 3 required; 240 or 480 Volt/60 Hertz; 415 Volt/50 Hertz; 10 kW; 240 Volt; Models through Serial No. 9303030868 |
| | M410939P | Heater Element | 3 required; 240 or 480 Volt/60 Hertz; 415 Volt/50 Hertz; 10 kW; 240 Volt; Models starting Serial No. 9303030869 through Serial No. 9412024947 |
| | M410940P | Heater Element | 3 required; 208 Volt/60 Hertz; 10 kW; Models starting Serial No. 9303030869 through Serial No. 9412024947 |
| | M410941P | Heater Element | 3 required; 380 Volt/50 Hertz; 10 kW; 220 Volt; Models starting Serial No. 9303030869 through Serial No. 9412024947 |
| 8 | M4347P3 | Thermostat Kit | Replaces older flat faced stat |
| | M405943 | Limit Thermostat | Raised face type |

Electric Heater Components and Thermostat (Drawing 2 of 3)

DC, JC and SC Models - 50 Pound Models Starting Serial No. 9412024948 and
75 Pound Models Starting Serial No. 9304053996



TMB2883P_70410801

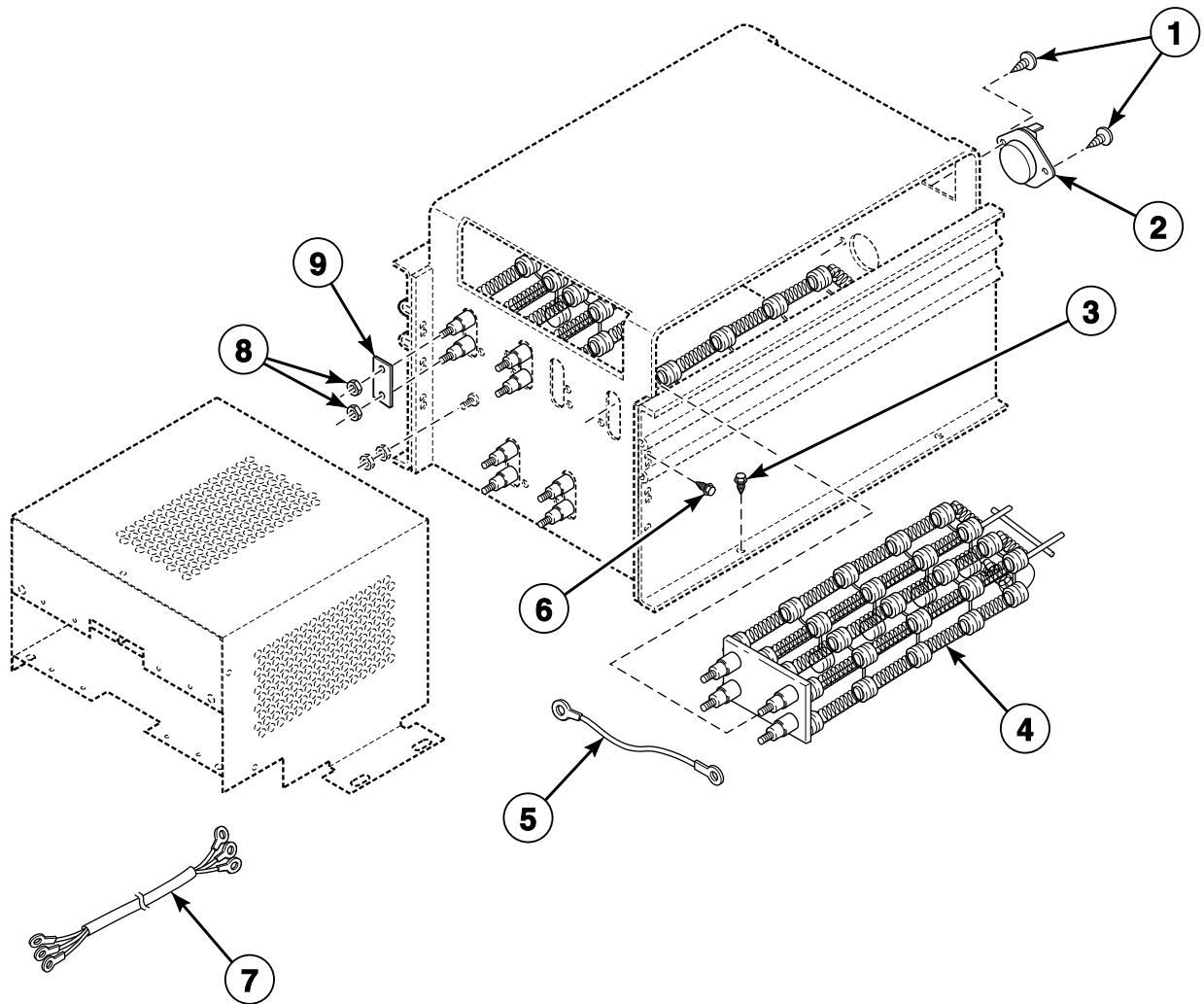
Electric Heater Components and Thermostat (Drawing 2 of 3)

| REF | PART NO. | DESCRIPTION | COMMENTS |
|-----|----------|-------------------------------|--|
| 1 | M412287 | Jumper Wire Assembly | 1 required for 380 or 415 Volt; 2 required for 480 Volt |
| | M401281 | Jumper Wire Assembly | Nonreversing; Contactor to heater; 8 gauge; 6 required for 208-240 Volt; 3 required for 380, 415 or 480 Volt |
| | N/A | Jumper Wire Assembly | Reversing; Heater to contactor; 2 required for 208-240 Volt; 1 required for 380, 415 or 480 Volt |
| 2 | 70054 | Nut | |
| | Q6163 | Nut | |
| 3 | M400866 | Jumper Bar | 1 required for 380, 415 or 480 Volt |
| | M400869 | Jumper Strip | 6 required for all models except 480 Volt; 3 required for 480 Volt |
| 4 | M412801 | Heater Cable Harness Assembly | 240 or 400 Volt/3 Phase; Ground; 8 gauge; H1-H3 |
| | M412802 | Heater Cable Harness Assembly | 230 Volt/50 Hertz/3 Phase; 8 gauge; H4-H6 |
| 5 | N/A | Cord Assembly | |
| 6 | 33562 | Screw | |
| 7 | M410220 | Limit Thermostat | 50 pound models |
| | M409433 | Limit Thermostat | 75 pound models |
| 8 | M410939P | Heater Element | 3 required; 10 kW; 240, 415 or 480 Volt/50 Hertz/3 Phase |
| | M410940P | Heater Element | 3 required; 10 kW; 208 Volt |
| | M410941P | Heater Element | 3 required; 10 kW; 380 Volt/50 Hertz/3 Phase |
| | M412955P | Heater Element | 3 required; 7 kW; 240 Volt/50 Hertz/1 Phase |
| 9 | M412871 | Jumper Harness Assembly | Manual timer; 230 Volt/50 Hertz/3 Phase |
| 10 | M412316 | Electric Hood | Rear |

N/A = Part no longer available

Electric Heater Components and Thermostat (Drawing 3 of 3)

DT, JT, ST and TKD Models - 50 Pound Models Starting Serial No. 9412024948 and
75 Pound Models Starting Serial No. 9304053996

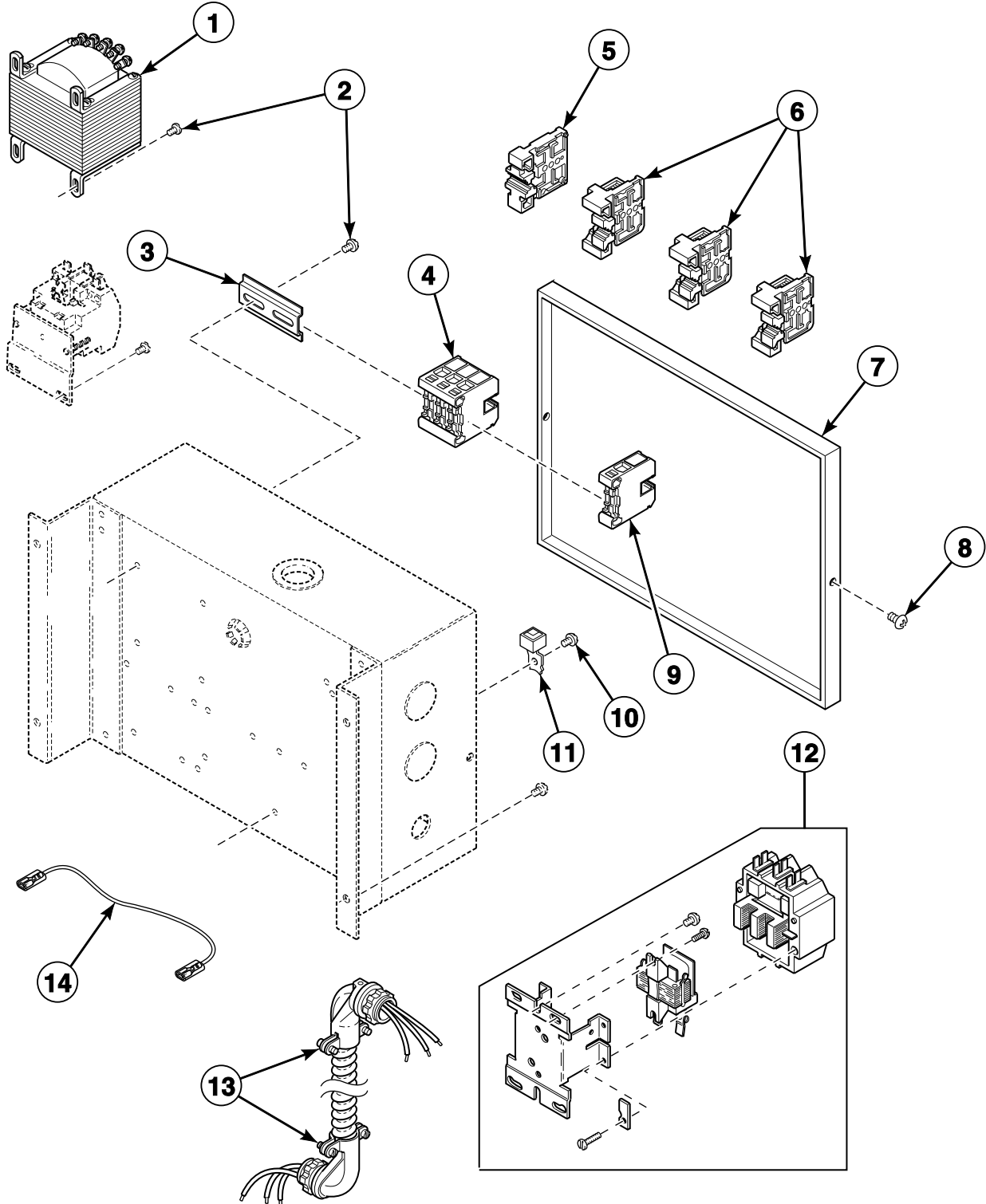


TMB1249P_70410801

Electric Heater Components and Thermostat (Drawing 3 of 3)

| REF | PART NO. | DESCRIPTION | COMMENTS |
|-----|----------|-----------------------|---|
| 1 | 33562 | Screw | |
| 2 | M409433 | Limit Thermostat | 50 pound models; 21 kW; 240 Volt/50 Hertz/1 Phase; Use with 7 kW heater element |
| | M410220 | Limit Thermostat | 30 kW; Use with 10 kW heater element |
| 3 | 430497 | Screw | |
| 4 | M410939P | Heater Element | 10 kW; 240 Volt; 3 required for 240 Volt/50 or 60 Hertz/3 Phase, 400-415 Volt/50 Hertz/3 Phase and 480 Volt/60 Hertz/3 Phase |
| | M410940P | Heater Element | 10 kW; 208 Volt; 3 required for 200 Volt/50 Hertz/3 Phase and 200-208 Volt/60 Hertz/3 Phase |
| | M410941P | Heater Element | 10 kW; 220 Volt; 3 required for 380 Volt/50 or 60 Hertz/3 Phase and 440 Volt/60 Hertz/3 Phase |
| | M412955P | Heater Element | 50 pound models; 7 kW; 240 Volt/50 Hertz/1 Phase |
| 5 | M412287 | Jumper Wire Assembly | 1 required for 380 Volt/50 Hertz/3 Phase and 400-415 Volt/50 Hertz/3 Phase; 2 required for 480 Volt/60 Hertz/3 Phase |
| 6 | 70240301 | Screw | |
| 7 | M413959 | Heater Cable Assembly | OM control suffix; 8 gauge; H1-H3; 200 Volt/50 Hertz/3 Phase, 200-208 Volt/60 Hertz/3 Phase, 240 Volt/60 Hertz/3 Phase, 380 Volt/50 Hertz/3 Phase, 400-415 Volt/50 Hertz/3 Phase, 480 Volt/60 Hertz/3 Phase and 240 Volt/50 Hertz/1 Phase |
| | M413960 | Heater Cable Assembly | OM control suffix; 8 gauge; H4-H6; 200 Volt/50 Hertz/3 Phase, 200-208 Volt/60 Hertz/3 Phase, 240 Volt/60 Hertz/3 Phase and 240 Volt/50 Hertz/1 Phase |
| 8 | 70054 | Nut | |
| 9 | M400866 | Jumper Bar | 380 Volt/50 Hertz/3 Phase, 400-415 Volt/50 Hertz/3 Phase and 480 Volt/60 Hertz/3 Phase |
| | M400869 | Jumper Strip | 3 required for 480 Volt/60 Hertz/3 Phase; 6 required for all others |

Electric Heat Contactor Box Components



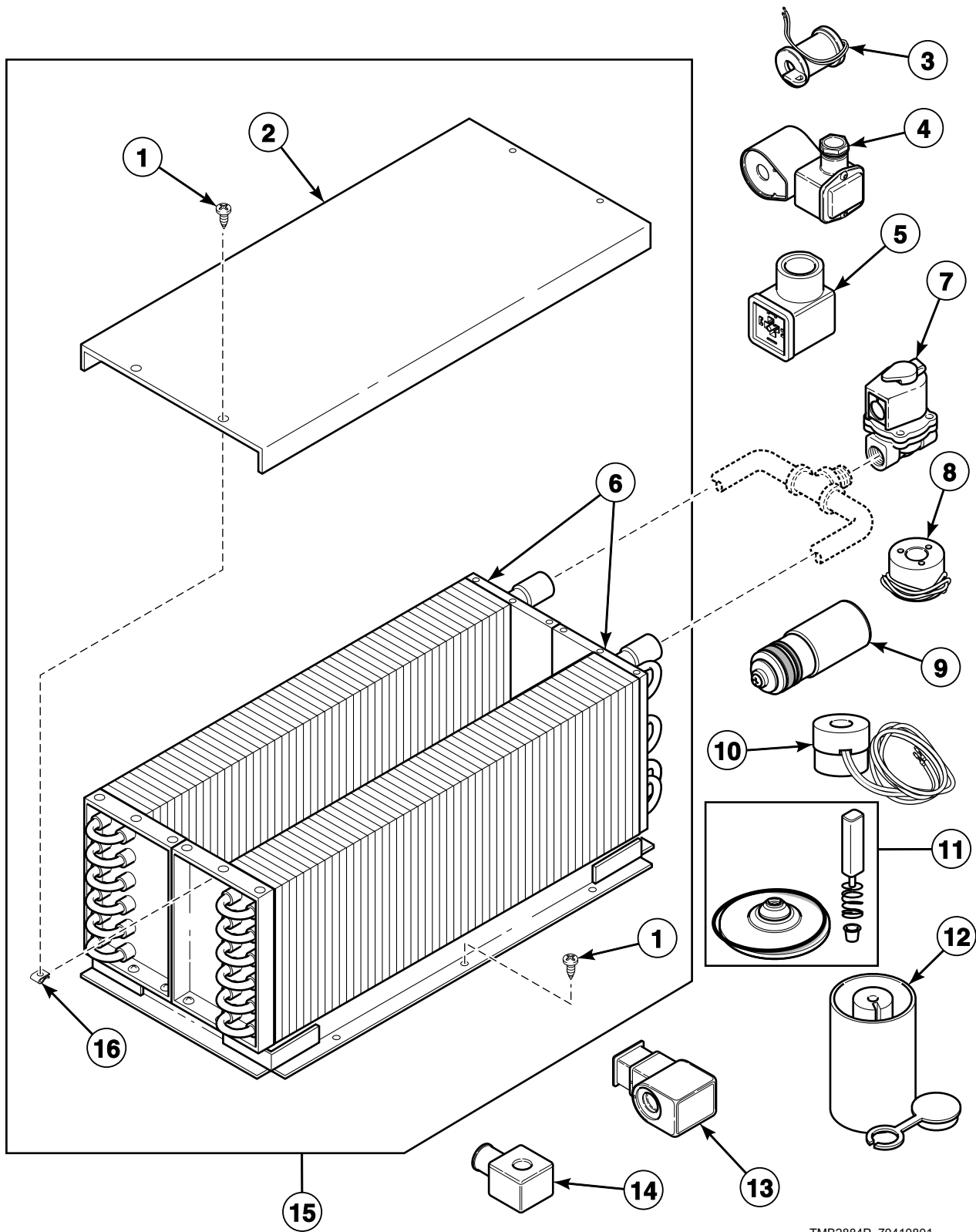
TMB2494P_70410801

Electric Heat Contactor Box Components

| REF | PART NO. | DESCRIPTION | COMMENTS |
|-----|----------|-----------------------|---|
| 1 | M401391P | Transformer | 480 Volt and some later 208-240 Volt/3 Phase models |
| 2 | M400044 | Screw | 50 pound models |
| | 51780 | Screw | 75 pound models |
| 3 | N/A | Din Rail | Models through Serial No. 9409xxxxx |
| 4 | M412045P | Terminal Block | Models starting Serial No. 9409xxxxx |
| 5 | M400685 | Terminal Block | 3 required for 208-240 or 480 Volt; 2 required for 240 Volt/1 Phase; 4 required for 380 or 415 Volt/3 Phase |
| 6 | M400681 | Terminal Block End | |
| 7 | M414351 | Contactor Box Cover | |
| 8 | 430497 | Screw | 50 pound models |
| | M400664 | Screw | 75 pound models |
| 9 | M412042 | Terminal Block | 380 or 415 Volt/50 Hertz |
| 10 | M402917 | Screw | Ground |
| 11 | M411283 | Ground Lug Connector | |
| 12 | M405116P | Contactor | 120 or 480 Volt |
| | M400905P | Contactor | 2 required for 208-240 Volt; 1 required for 380 or 415 Volt |
| 13 | N/A | Wire Harness Assembly | 75 pound models; Nonreversing with junction box; 208-240, 380 or 415 Volt |
| 14 | M412117 | Jumper Wire Assembly | 75 pound models; 6 required for 208-240 Volt/3 Phase; 3 required for 380, 415 or 480 Volt/3 Phase |
| | M412116 | Jumper Wire Assembly | 75 pound models; 6 required for 240 Volt/1 Phase |

N/A = Part no longer available

Steam Heater and Valve



TMB2884P_70410801

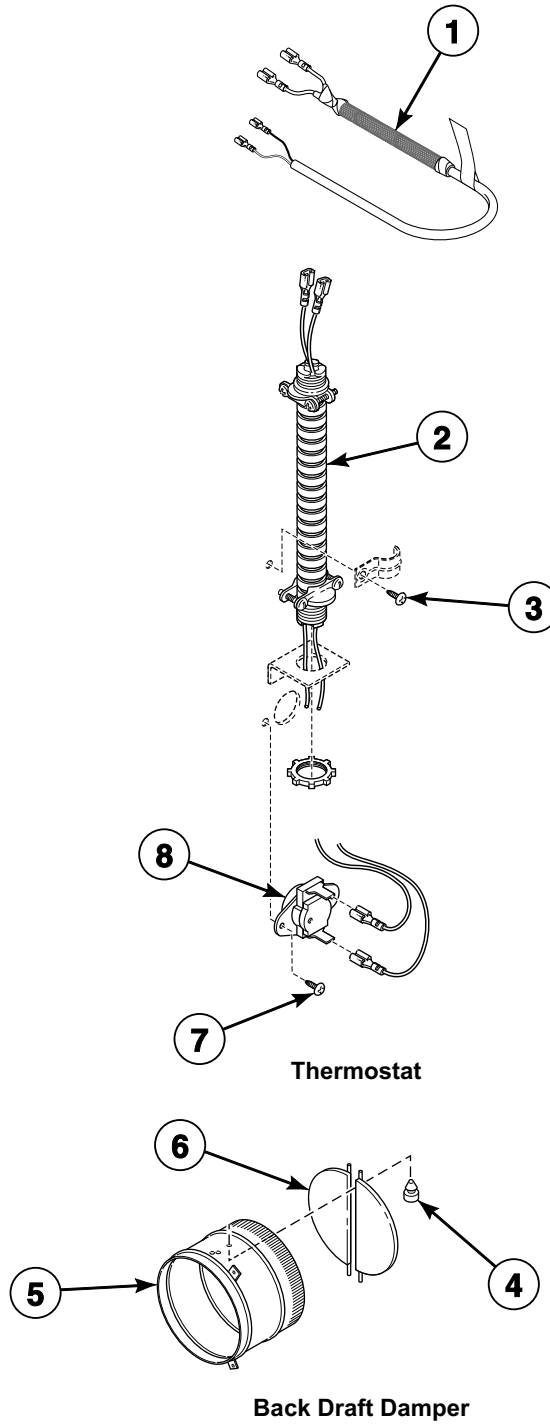
Steam Heater and Valve

| REF | PART NO. | DESCRIPTION | COMMENTS |
|-----|-----------|------------------------------|---|
| 1 | 430497 | Screw | |
| 2 | M400828 | Low Pressure Steam Cover | |
| 3 | M412258 | Steam Valve Coil | For 70351002 Steam Valve (Danfoss; 24 Volt/50 Hertz) |
| | M413301 | Steam Valve Coil | For M413297 Steam Valve; 208-240 Volt/60 Hertz |
| | M413302 | Steam Valve Coil | For M413298 Steam Valve; 240 Volt/50 Hertz |
| | 70205701P | Steam Valve Coil | For 70351001P Steam Valve; 24 Volt/60 Hertz |
| 4 | M413299P | Steam Valve Coil | For M413295 Steam Valve; 120 Volt/60 Hertz |
| 5 | 70370301P | Solenoid Valve DIN Connector | |
| 6 | M400636P | Steam Coil | 9 inches high; 2 required |
| | M400637P | Steam Coil | 15 inches high; 2 required |
| 7 | F951P3 | Steam Valve Kit | 208-240 Volt/60 Hertz; For M413301 Steam Valve Coil |
| | M413298P | Steam Valve | 240 Volt/50 Hertz; For M413302 Steam Valve Coil |
| | F8322903 | Steam Valve | 24 Volt/50 Hertz; DC, JC and SC models; DT, JT and ST models with OM control suffix |
| | F8322902 | Steam Valve | 24 Volt/60 Hertz; OM control suffix |
| 8 | N/A | Coil | For M413295 Steam Valve (Asco No. 8222E3); 120 Volt/50 or 60 Hertz |
| 9 | M400152 | Valve Repair Kit | For M413295 Steam Valve and M401377 Steam Valve (Asco No. 8222E3) |
| 10 | M401383 | Steam Valve Coil | For M401379 Steam Valve (Asco No. 8222B95); 240 Volt/50 or 60 Hertz |
| 11 | M412259 | Steam Valve Rebuild Kit | For M413295P, M413297P and M413298P Steam Valves |
| | F8379502 | Valve Rebuild Kit | For F8322903 and F8322902 Steam Valves |
| 12 | M401384 | Valve Repair Kit | For M413295 Steam Valve and M401379 Steam Valve (Asco No. 8222B95) |
| 13 | 70351012 | Steam Solenoid | For 70351002 Steam Valve; 24 Volt/50 Hertz |
| 14 | 70351011P | Steam Solenoid | For 70351001P Steam Valve; 24 Volt/60 Hertz |
| 15 | M413572P | Steam Heater Assembly | 15 inch |
| 16 | M400974 | Clip | |

N/A = Part no longer available

Cabinet High Limit Thermostat and Backdraft Damper

Gas Models



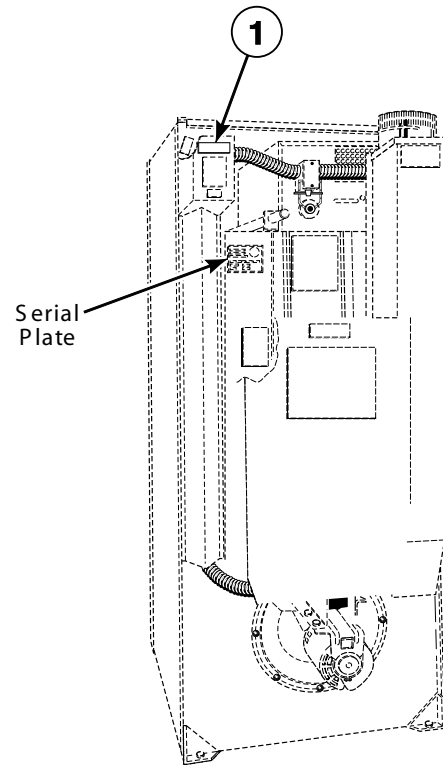
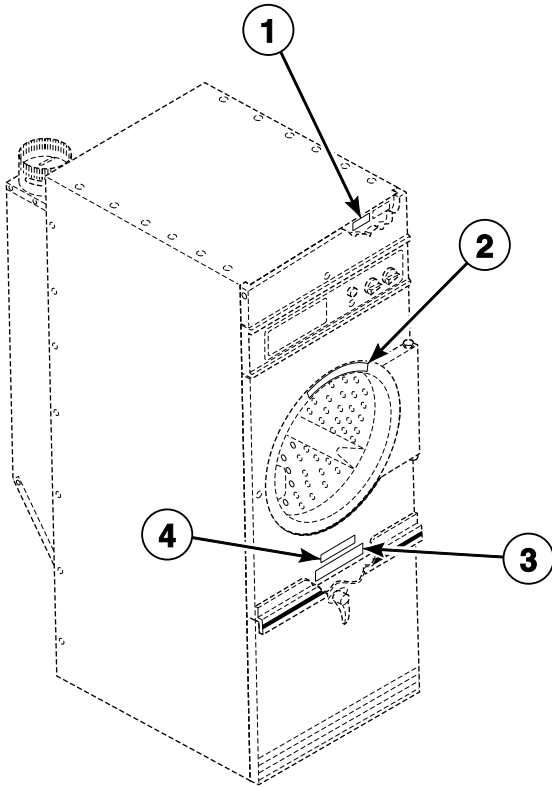
TMB3050P_70410801

Cabinet High Limit Thermostat and Backdraft Damper

| REF | PART NO. | DESCRIPTION | COMMENTS |
|-----|----------|--------------------------------|---|
| 1 | M412670 | Cabinet Limit Harness Assembly | 72 inches |
| 2 | N/A | Wire Harness Assembly | EG models |
| | M413693P | Cabinet Limit Harness Assembly | All other models |
| 3 | 430497 | Screw | |
| 4 | M400795 | Bumper | |
| 5 | M413173 | Exhaust Thimble | 10 inches; Models DTB634 and STB634 |
| | M412288 | Exhaust Thimble Assembly | 8 inches; All other models |
| 6 | M413382 | Thimble Vane Assembly | 10 inches; 2 required; Models DTB634 and STB634 |
| | M400503 | Thimble Vane Assembly | 8 inches; 2 required; All other models |
| 7 | M400664 | Screw | |
| 8 | M411941 | Manual Reset Thermostat | Australian models |
| | M406412 | Limit Thermostat | EG models |
| | M410542 | Limit Thermostat | All other models |

N/A = Part no longer available

Warning Labels



T384P_70410801

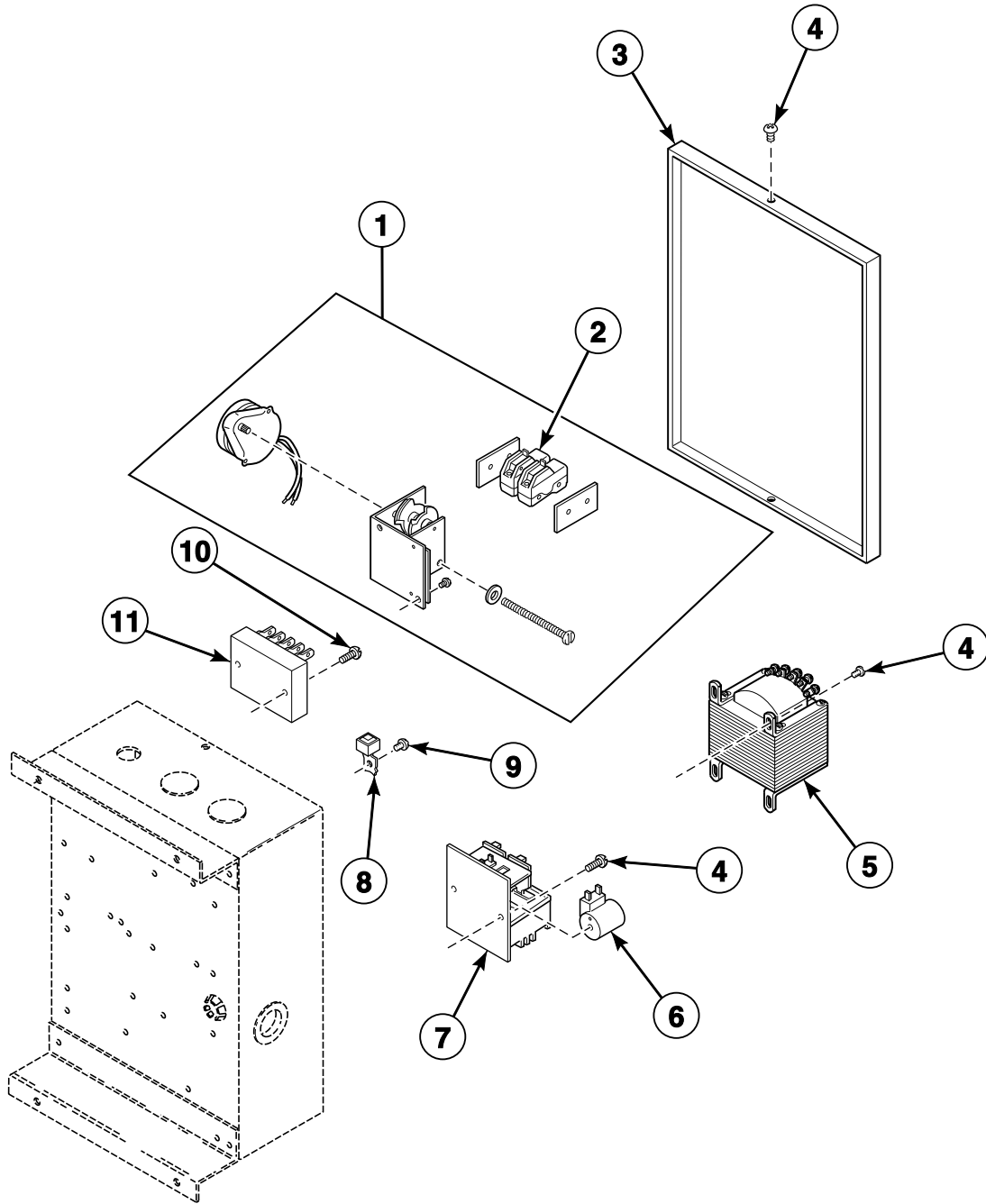
Warning Labels

| REF | PART NO. | DESCRIPTION | COMMENTS |
|-----|----------|--------------------------------|---|
| 1 | D500316 | Warning Label | Disconnect power; Models starting Serial No. OTCK9304053996 |
| | D505281 | Disconnect Power Warning Label | Models through Serial No. OTCK9304053996 |
| 2 | M410892 | Warning Label | Control panel; Gas models; Models starting Serial No. OTCK9304053996 |
| | N/A | Warning Label | Control panel; Electric and steam models; Models starting Serial No. OTCK9304053996 |
| 3 | 430527 | Lint Compartment Label | D and S models; Lint screen on lint panel |
| | N/A | Lint Compartment Label | J models; Lint screen on lint panel |
| 4 | N/A | Lint Panel Warning Label | OM control suffix; Lint screen |

N/A = Part no longer available

Reversing Control

MM and MT Control Suffixes



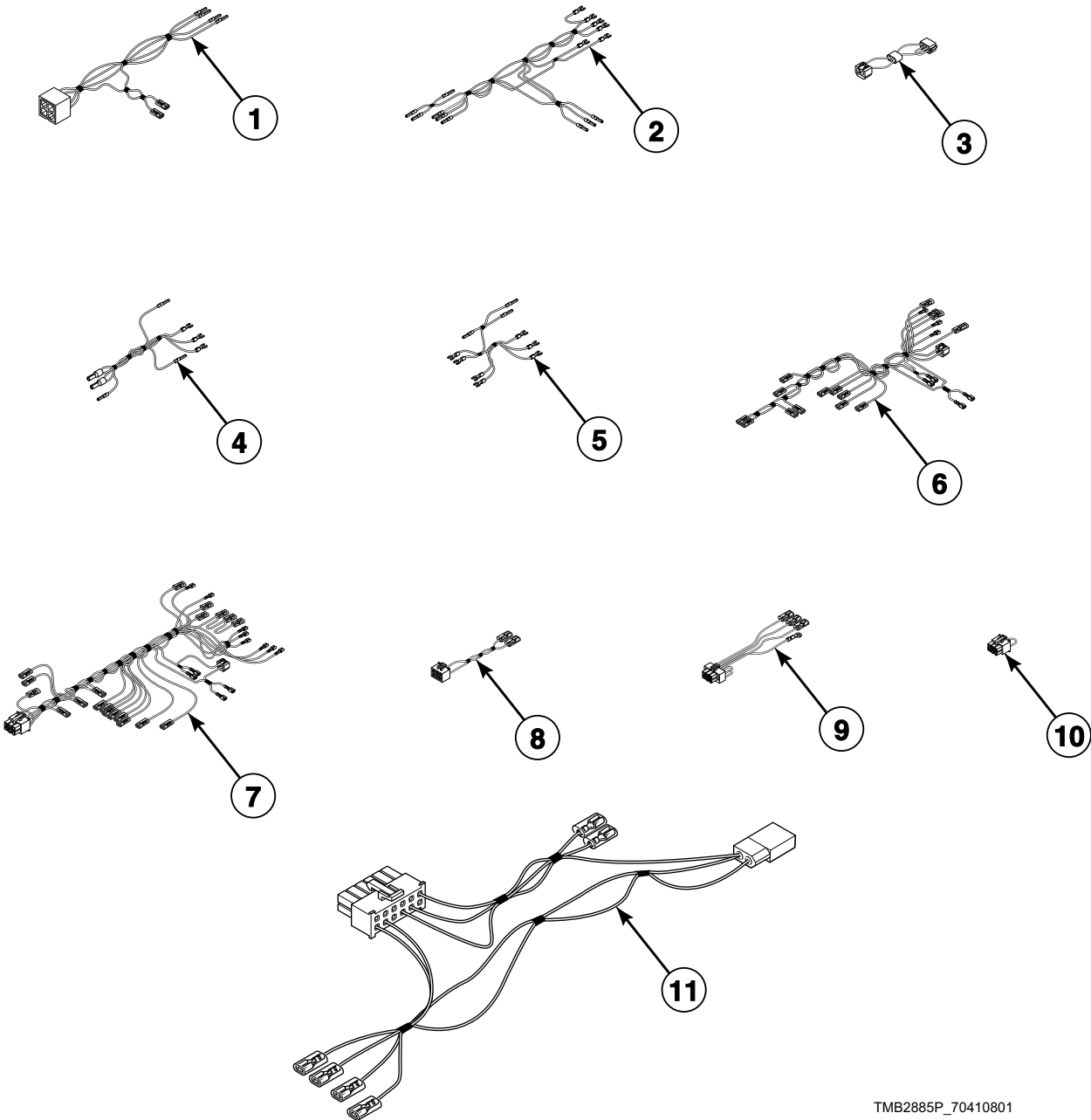
T493PZ3B_70410801

Reversing Control

| REF | PART NO. | DESCRIPTION | COMMENTS |
|-----|----------|-------------------------|---|
| 1 | N/A | Reversing Timer | 4 terminals; Models through Serial No. 699763YG |
| | N/A | Reversing Timer | 6 terminals; Models starting Serial No. 699763YG through 9408085248 |
| 2 | N/A | Switch | |
| 3 | M414351 | Contactora Box Cover | |
| 4 | 430497 | Screw | |
| 5 | M401391P | Transformer | 100-600 Volt/60 Hertz |
| 6 | M400915 | Coil | 208-240 Volt; For M400906 Reversing Contactor |
| 7 | M400906P | Reversing Contactor | 208-240 Volt/60 Hertz; Models through Serial No. 9408085249 |
| | N/A | Reversing Contactor | 120 Volt/60 Hertz; Models through Serial No. 9408085249 |
| | N/A | Reversing Contactor | 240 Volt/50 Hertz; Models through Serial No. 9408085249 |
| | M410515P | Reversing Contactor | 240 Volt/50 Hertz; Models starting Serial No. 9408085249 |
| | M4870P3 | Contactora Kit | 208-240 Volt/60 Hertz; Models starting Serial No. 9408085249; Reversing |
| | M4849P3 | Reversing Contactor Kit | MM control suffix; Models starting Serial No. 9408085249 |
| 8 | M411283 | Ground Lug Connector | |
| 9 | M402917 | Screw | Ground |
| 10 | N/A | Screw | |
| 11 | M411683 | Reversing Timer | Solid State; Models starting Serial No. 9808085249 |

N/A = Part no longer available

Contactor Box Assembly Harnesses for OM Control Suffix



TMB2885P_70410801

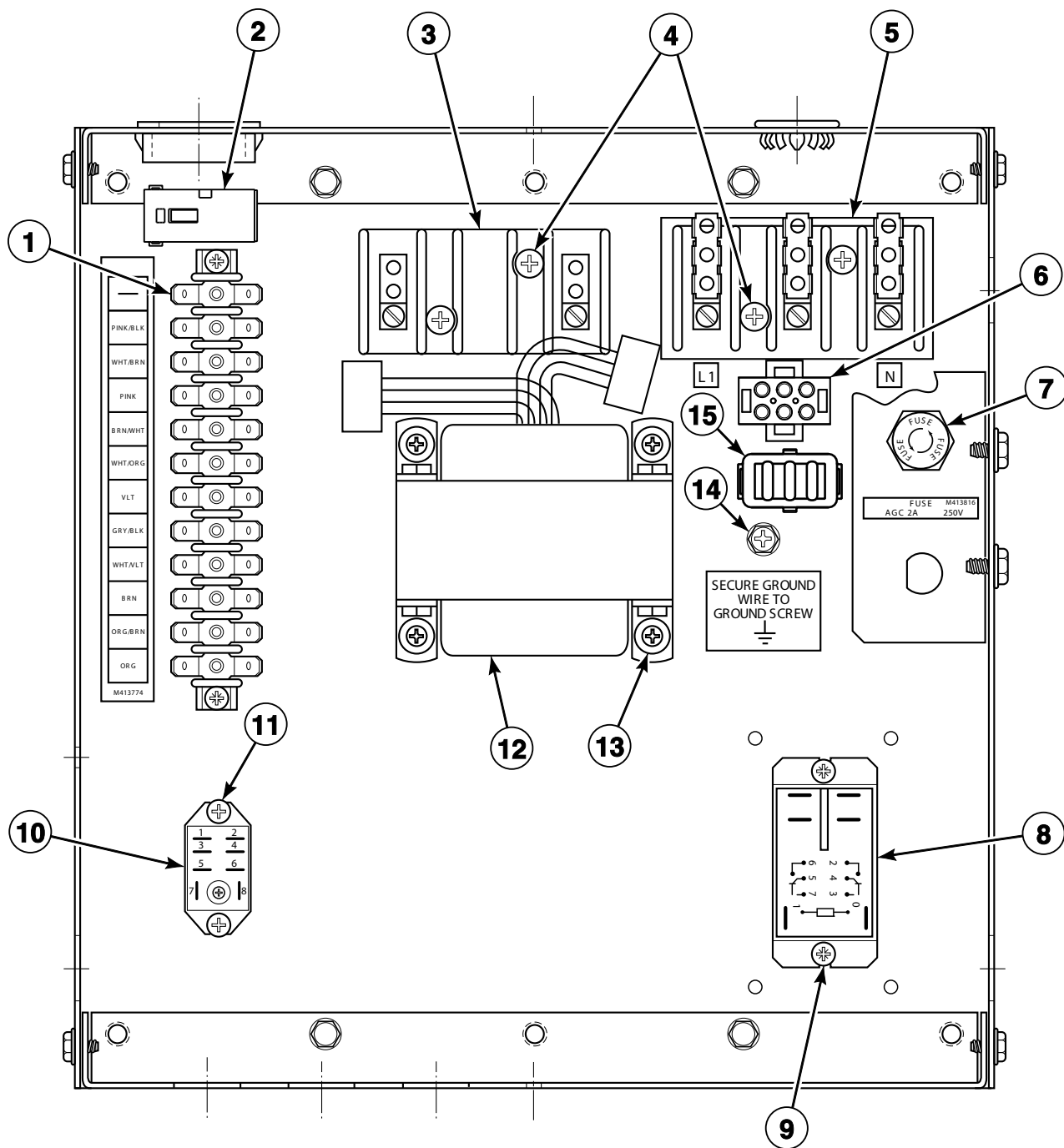
Contactor Box Assembly Harnesses for OM Control Suffix

| REF | PART NO. | DESCRIPTION | COMMENTS |
|-----|----------|--------------------------------------|---|
| 1 | M414029 | Transformer Harness Assembly | DC, JC and SC models; Secondary |
| | M414076 | Transformer Harness Assembly | DC, JC and SC gas and steam models; Primary; 1 Phase |
| | M414028 | Transformer Harness Assembly | DC, JC and SC electric and steam models; Primary; 3 Phase |
| 2 | M414032 | Relay Harness Assembly | DC, JC and SC steam models |
| | M414150 | Relay Harness Assembly | DC, JC and SC electric models; 380 or 415 Volt/50 Hertz/3 Phase |
| | N/A | Relay Harness Assembly | DC, JC and SC electric models; 230 Volt/50 Hertz/3 Phase; K2, K6 and K7 |
| | M414224 | Relay Harness Assembly | DC, JC and SC gas models; 230 Volt/50 Hertz/1 Phase; K2 and K3 |
| 3 | M413505 | Jumper Harness Assembly | CG, CSH, CSL and electric models; 120 Volt/60 Hertz |
| | M413507 | Jumper Configuration Assembly | CG, CSH, CSL and electric models; 240 Volt/50 or 60 Hertz |
| | M413506 | Jumper Harness Assembly | CG, CSH, CSL and electric models; 208 Volt/60 Hertz |
| | M413508 | Jumper Harness Assembly | CG, CSH, CSL and electric models; 380 Volt/50 Hertz |
| | M413509 | Jumper Harness Assembly | CG, CSH, CSL and electric models; 415 Volt/50 Hertz |
| | M413510 | Jumper Configuration Assembly | CG, CSH, CSL and electric models; 480 Volt/60 Hertz |
| 4 | N/A | Jumper Assembly | Gas and steam models; 50 Hertz/1 Phase; Upper; Reversing |
| | M413695 | Reversing Contactor Jumper Assembly | Gas and steam models; 50 Hertz/1 Phase; Lower; Reversing |
| | M414078 | Jumper Harness Assembly | DC, JC and SC electric models; 50 Hertz/3 Phase |
| | N/A | Jumper Harness Assembly | DC, JC and SC electric models; 50 Hertz/3 Phase |
| | N/A | Jumper Harness Assembly | DC, JC and SC gas models; 50 Hertz/3 Phase |
| | N/A | Jumper Harness Assembly | DC, JC and SC models; Junction box; 240 Volt |
| 5 | N/A | Reversing Jumper Harness Assembly | DC, JC and SC electric models; 1 Phase; Upper; Reversing |
| | M412927 | Reversing Jumper Harness Assembly | DC, JC and SC electric models; 1 Phase; Lower; Reversing |
| | M412928 | Reversing Jumper Harness Assembly | Electric models; 3 Phase; Upper; Reversing |
| | M412929 | Reversing Jumper Harness Assembly | Electric models; 3 Phase; Lower; Reversing |
| | M413624 | Reversing Contactor Jumper Assembly | Reversing; 3 Phase; Upper |
| | N/A | Reversing Contactor Jumper Assembly | Reversing; 3 Phase; Lower |
| | M414034 | Reversing Contactor Harness Assembly | DC, JC and SC models; Reversing |
| 6 | M413754 | Control Box Harness Assembly | CG, CSH, CSL and electric models; 1 Phase; 3 wire |
| | M413683P | Control Box Harness Assembly | CG, CSH, CSL and electric models; 3 Phase |
| 7 | M413684P | Contactor Box Harness Assembly | CG, CSH, CSL and electric models; Reversing; 208-240, 380, 415 or 480 Volt/50 or 60 Hertz/3 Phase |
| 8 | N/A | Control Box Harness Assembly | CG, CSH, CSL and electric models; 50 or 60 Hertz/1 Phase; 2 wire |
| 9 | M413878 | Network Capacitor Harness Assembly | |
| 10 | M413168 | Bypass Harness Assembly | CG, CSH, CSL and electric models; Reversing |
| 11 | M413824 | Control Box Harness Assembly | CG models; Australia |

N/A = Part no longer available

Contactor Box Assembly (Drawing 1 of 10)

Gas, Steam and Electric Models with OM Control Suffix
120 Volt/60 Hertz/1 Phase; 240 Volt/50 Hertz/1 Phase



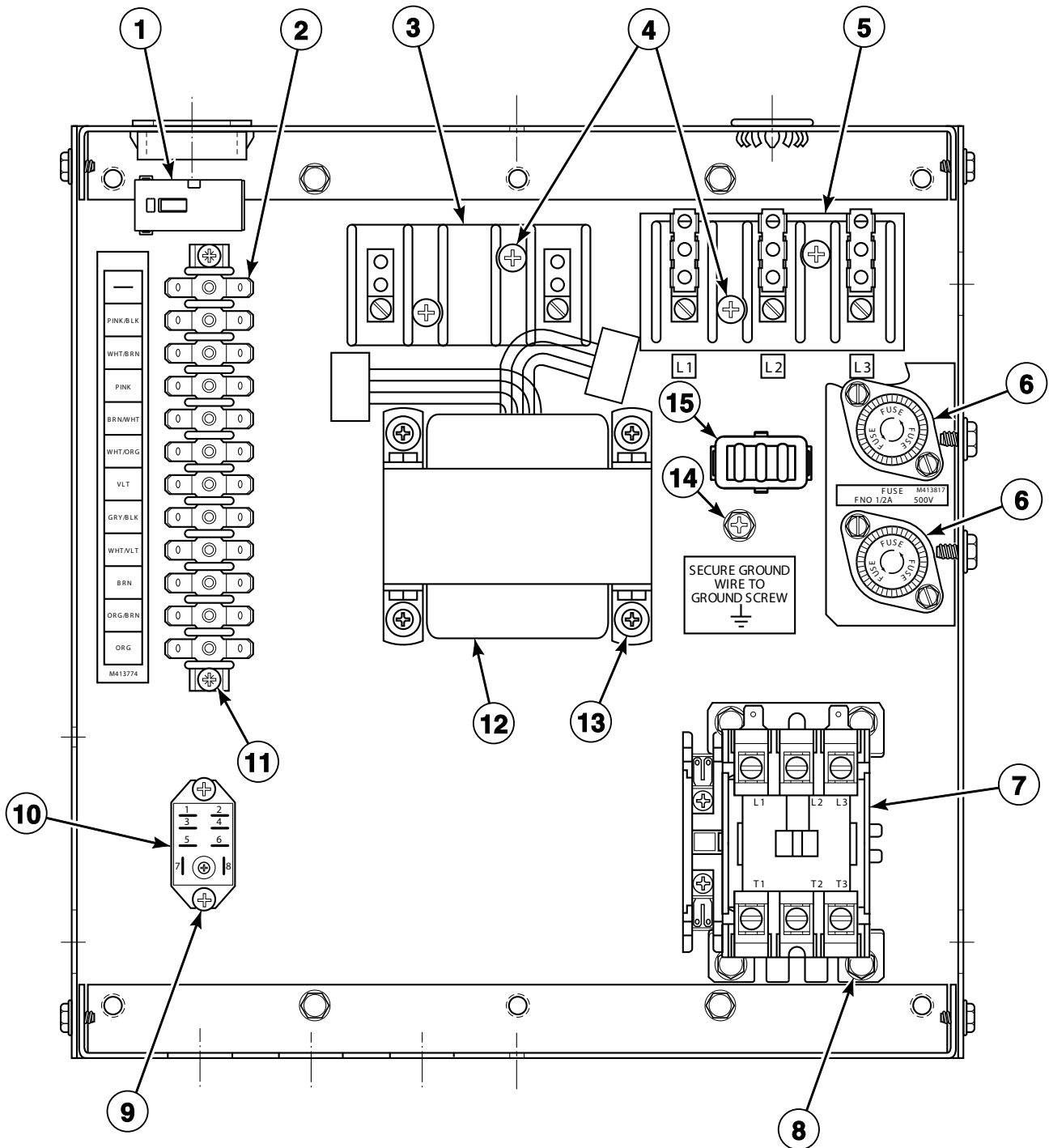
TMB2498P_70410801

Contactor Box Assembly (Drawing 1 of 10)

| REF | PART NO. | DESCRIPTION | COMMENTS |
|-----|----------|------------------------------------|---|
| 1 | M413542 | Terminal Strip | |
| 2 | M413930P | Ferrite Core Assembly | Electric models |
| 3 | M405364 | Terminal Block | 2 pole |
| 4 | M405824 | Screw | |
| 5 | 430642 | Terminal Block | 3 pole |
| 6 | M413878 | Network Capacitor Harness Assembly | |
| 7 | 91024P | Fuse Receptacle | Use 23951 Nut to attach |
| | M413118 | Fuse | 250 Volt; 2 Amp |
| | M413623 | Fuse | 4 Amp; Secondary; Models DTB634 and STB634 |
| | M414232 | Fuse | 3.5 Amp; Secondary; All other models |
| 8 | M413614P | Fan Contactor | Motor |
| 9 | 51778 | Screw | |
| 10 | 431349 | Relay | 120 Volt/60 Hertz/1 Phase; Gas and steam models |
| | 430746 | Relay | 240 Volt/50 Hertz/1 Phase |
| 11 | M400071 | Screw | |
| 12 | M414228P | Transformer | |
| 13 | M400044 | Screw | Use with 23951 Nut to attach item 12 |
| 14 | M402917 | Screw | Ground |
| 15 | M413863 | Network Capacitor Assembly | |

Contactor Box Assembly (Drawing 2 of 10)

All Electric Nonreversing Models; Gas and Steam Nonreversing Models with OM Control Suffix
 208-240 Volt/60 Hertz/1 or 3 Phase; 380, 415 or 480 Volt/50 or 60 Hertz/3 Phase



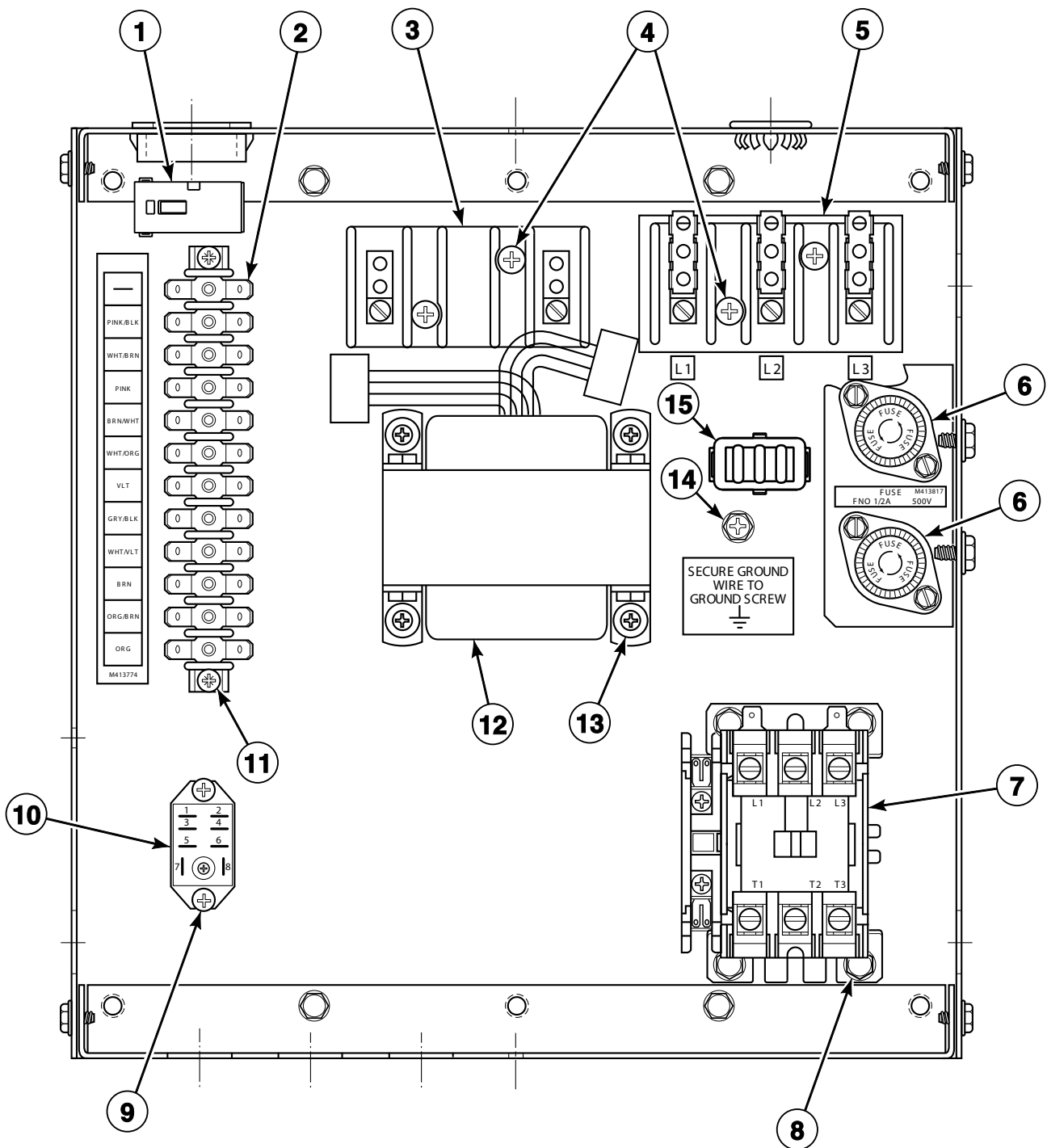
TMB2499P_70410801

Contactor Box Assembly (Drawing 2 of 10)

| REF | PART NO. | DESCRIPTION | COMMENTS |
|-----|----------|----------------------------|--|
| 1 | M413930P | Ferrite Core Assembly | |
| 2 | M413542 | Terminal Strip | |
| 3 | M405364 | Terminal Block | 2 pole |
| 4 | M405824 | Screw | |
| 5 | 430642 | Terminal Block | 3 pole |
| 6 | 91024P | Fuse Receptacle | 208-240 Volt/60 Hertz/1 or 3 Phase; Use 23951 Nut to attach |
| | M413544P | Fuse Holder | 380, 415 or 480 Volt/50 or 60 Hertz/3 Phase |
| | 44310001 | Fuse | 600 Volt; 0.5 Amp; 380, 415 or 480 Volt/50 or 60 Hertz/3 Phase |
| | M413118 | Fuse | 250 Volt; 2 Amp; 208-240 Volt/60 Hertz/1 or 3 Phase |
| | M413623 | Fuse | 4 Amp; Secondary; Models DTB634 and STB634 |
| | M414232 | Fuse | 3.5 Amp; Secondary; All other models |
| 7 | M413614P | Fan Contactor | |
| 8 | 51780 | Screw | |
| 9 | M400071 | Screw | |
| 10 | 430746 | Relay | 208-240 Volt/60 Hertz |
| 11 | 51778 | Screw | |
| 12 | M414229P | Transformer | 380, 415 or 480 Volt/50 or 60 Hertz/3 Phase |
| | M414228P | Transformer | 208-240 Volt/60 Hertz/1 or 3 Phase |
| | M413100P | Transformer | 208-240 Volt/60 Hertz/3 Phase |
| 13 | M400044 | Screw | Use with 23951 Nut to attach item 12 |
| 14 | M402917 | Screw | Ground |
| 15 | M413863 | Network Capacitor Assembly | |

Contactor Box Assembly (Drawing 3 of 10)

Electric Nonreversing Models with OM Control Suffix
208-240 Volt/50 or 60 Hertz/3 Phase



TMB2499P_70410801

Contactor Box Assembly (Drawing 3 of 10)

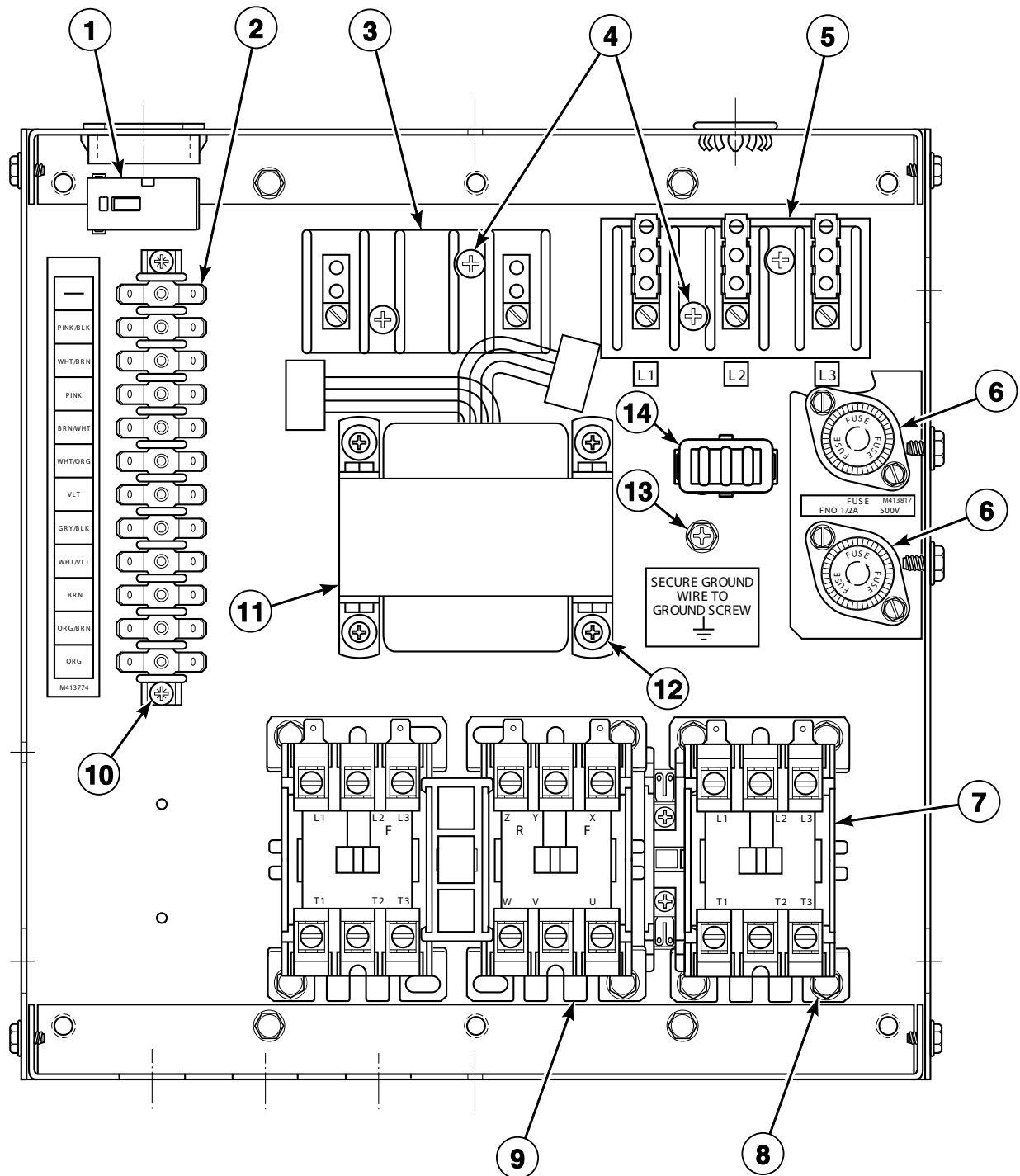
| REF | PART NO. | DESCRIPTION | COMMENTS |
|-----|----------|----------------------------|--------------------------------------|
| 1 | M413930P | Ferrite Core Assembly | |
| 2 | M413542 | Terminal Strip | |
| 3 | M405364 | Terminal Block | 2 pole |
| 4 | M405824 | Screw | |
| 5 | 430642 | Terminal Block | 3 pole |
| 6 | 91024P | Fuse Receptacle | Use 23951 Nut to attach |
| | M413118 | Fuse | 250 Volt; 2 Amp |
| | M413623 | Fuse | 4 Amp; Secondary |
| | M414232 | Fuse | 3.5 Amp; Secondary |
| 7 | M413614P | Fan Contactor | |
| 8 | 51778 | Screw | |
| 9 | M400071 | Screw | |
| 10 | 430746 | Relay | |
| 11 | 51780 | Screw | |
| 12 | M414228P | Transformer | |
| 13 | M400044 | Screw | Use with 23951 Nut to attach item 12 |
| 14 | M402917 | Screw | Ground |
| 15 | M413863 | Network Capacitor Assembly | |

Contactor Box Assembly (Drawing 4 of 10)

| REF | PART NO. | DESCRIPTION | COMMENTS |
|-----|----------|----------------------------|--|
| 1 | M413930P | Ferrite Core Assembly | |
| 2 | M413542 | Terminal Strip | |
| 3 | M405364 | Terminal Block | 2 pole |
| 4 | M405824 | Screw | |
| 5 | 430642 | Terminal Block | 3 pole |
| 6 | 91024P | Fuse Receptacle | Use 23951 Nut to attach |
| | M413118 | Fuse | 250 Volt; 2 Amp |
| | M413623 | Fuse | 4 Amp; Secondary; Models DTB634 and STB634 |
| | M414232 | Fuse | 3.5 Amp; Secondary; All other models |
| 7 | M413614P | Fan Contactor | Motor |
| 8 | 51778 | Screw | |
| 9 | 51780 | Screw | |
| 10 | M413615P | Reversing Contactor | |
| 11 | M400071 | Screw | |
| 12 | 430746 | Relay | |
| 13 | M414228P | Transformer | |
| 14 | M400044 | Screw | Use with 23951 Nut to attach item 13 |
| 15 | M402917 | Screw | Ground |
| 16 | M413863 | Network Capacitor Assembly | |

Contactor Box Assembly (Drawing 5 of 10)

Reversing Models with OM Control Suffix
 208-240, 380, 415 or 480 Volt/50 or 60 Hertz/3 Phase

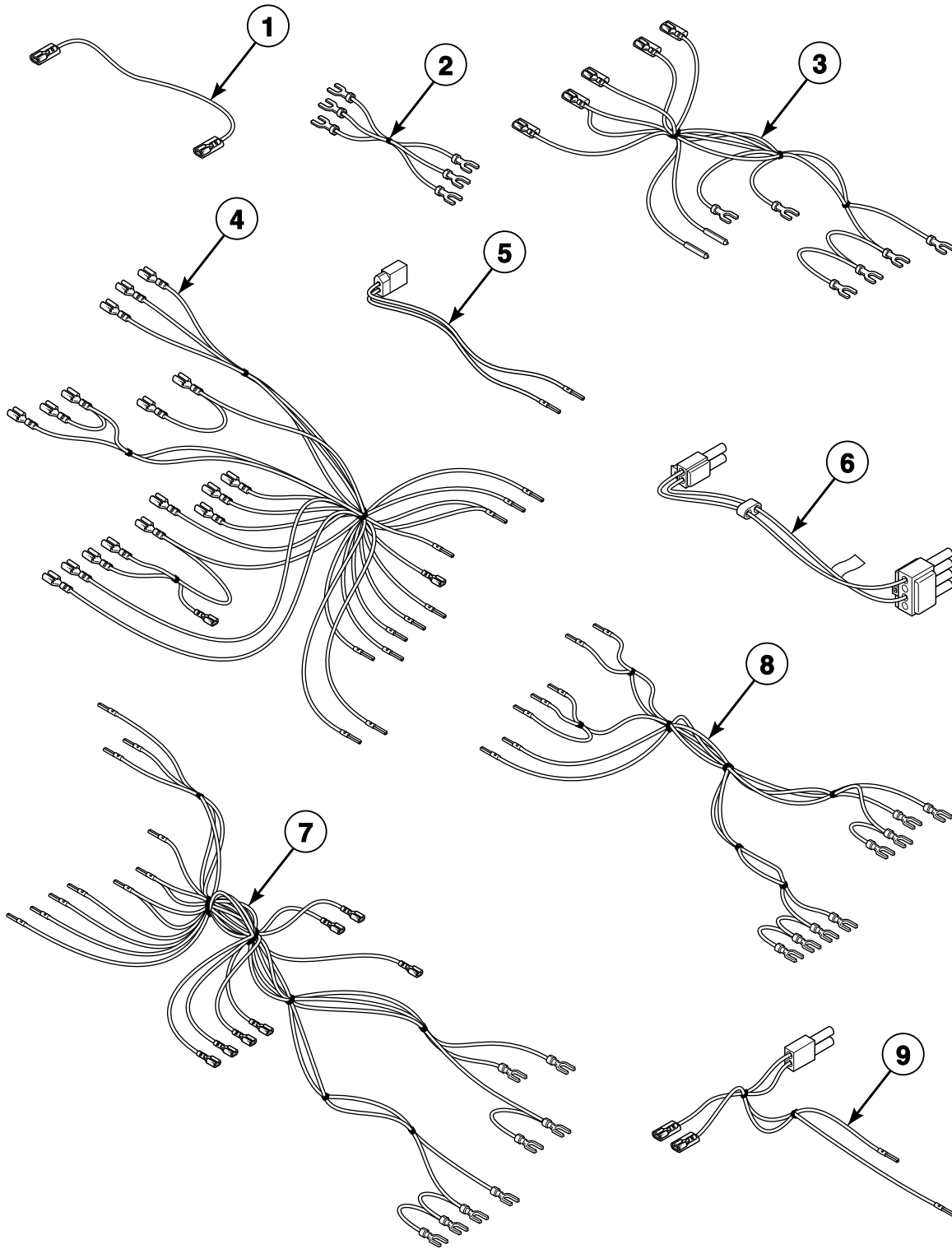


TMB2501P_70410801

Contactor Box Assembly (Drawing 5 of 10)

| REF | PART NO. | DESCRIPTION | COMMENTS |
|-----|----------|----------------------------|--|
| 1 | M413930P | Ferrite Core Assembly | |
| 2 | M413542 | Terminal Strip | |
| 3 | M405364 | Terminal Block | 2 pole |
| 4 | M405824 | Screw | |
| 5 | 430642 | Terminal Block | 3 pole |
| 6 | 91024P | Fuse Receptacle | 208-240 Volt/50 or 60 Hertz/3 Phase; Use 23951 Nut to attach |
| | M413544P | Fuse Holder | 380, 415 or 480 Volt/50 or 60 Hertz/3 Phase |
| | M413118 | Fuse | 250 Volt; 2 Amp; 208-240 Volt/50 or 60 Hertz/3 Phase |
| | 44310001 | Fuse | 600 Volt; 0.5 Amp; 380, 415 or 480 Volt/50 or 60 Hertz/3 Phase |
| | M413623 | Fuse | 4 Amp; Secondary; Models DTB634 and STB634 |
| | M414232 | Fuse | 3.5 Amp; Secondary; All other models |
| 7 | M413614P | Fan Contactor | |
| 8 | 51780 | Screw | |
| 9 | M413615P | Reversing Contactor | Set with interlock |
| 10 | 51778 | Screw | |
| 11 | M414228P | Transformer | 208-240 Volt/50 or 60 Hertz/3 Phase |
| | M414229P | Transformer | 380, 415 or 480 Volt/50 or 60 Hertz/3 Phase |
| 12 | M400044 | Screw | Use with 23951 Nut to attach item 11 |
| 13 | M402917 | Screw | Ground |
| 14 | M413863 | Network Capacitor Assembly | |

Contactor Box Assembly Harnesses for CD, MM and MT Control Suffixes



TMB2497P_70410801

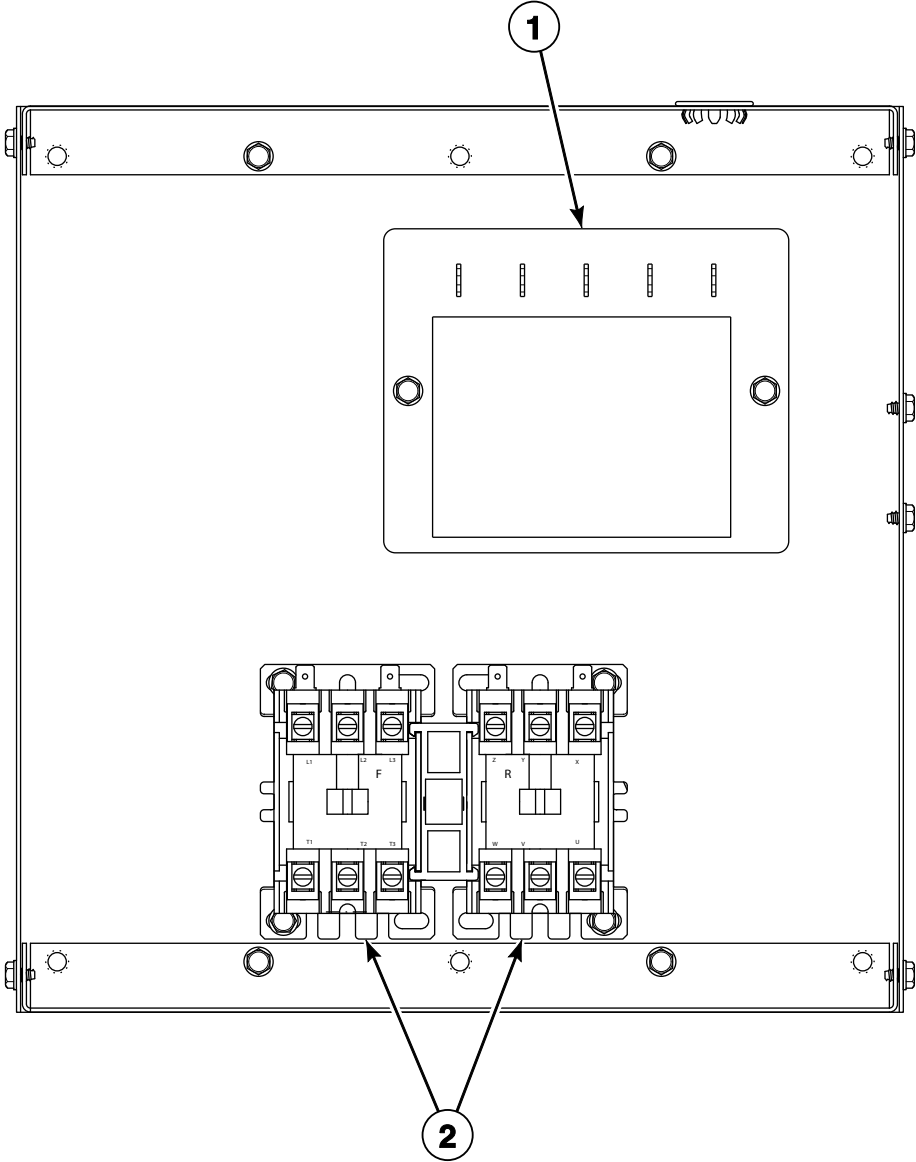
Contactor Box Assembly Harnesses for CD, MM and MT Control Suffixes

| REF | PART NO. | DESCRIPTION | COMMENTS |
|-----|----------|-----------------------------------|--|
| 1 | M412740 | Jumper Cable Wire | Electric models; CD and MT control suffixes; 230 Volt/50 Hertz/1 Phase; 8 gauge; 5.75 inches |
| 2 | M412928 | Reversing Jumper Harness Assembly | Electric models; MM and MT control suffixes; Upper; 208-240 Volt/60 Hertz/3 Phase |
| | M412929 | Reversing Jumper Harness Assembly | Electric models; MM and MT control suffixes; Lower; 208-240 Volt/60 Hertz/3 Phase |
| 3 | N/A | Reversing Timer Harness Assembly | DC, JC and SC electric models; MM and MT control suffixes; 208-240 Volt/60 Hertz/3 Phase |
| | N/A | Reversing Timer Harness Assembly | DC, JC and SC electric models; CD and MT control suffixes, 230 Volt/50 Hertz/1 Phase |
| | N/A | Reversing Timer Harness Assembly | DC, JC and SC gas and steam models; MT control suffix; 230 Volt/50 Hertz/1 Phase |
| 4 | N/A | Relay Harness Assembly | Gas models; Coin; K2 and K3; 208-240 Volt/50 and 60 Hertz/1 or 3 Phase |
| | N/A | Relay Harness Assembly | DC, JC and SC steam models; MM and MT control suffixes; Coin; 1 Phase; K2; 208-240 Volt/50 and 60 Hertz/1 or 3 Phase |
| | M412636 | Relay Harness Assembly | DC, JC and SC gas models; MT control suffix; 230 Volt/50 Hertz/1 Phase; K1, K2 and K3 |
| | N/A | Relay Harness Assembly | DC, JC and SC steam models; MT control suffix; Reversing; K1 and K2; 230, 380 and 415 Volt/50 Hertz/1 and 3 Phase |
| 5 | M412642 | Transformer Harness Assembly | DC, JC and SC models; MT control suffix; Reversing; Primary; 230-240, 380 and 415 Volt/50 Hertz/1 Phase |
| 6 | M413509 | Jumper Harness Assembly | Steam models; MT control suffix; 415 Volt/50 Hertz/3 Phase |
| | N/A | Jumper Harness Assembly | DC, JC and SC gas and steam models; MT control suffix; Junction box; 240 Volt/50 Hertz/1 Phase |
| | N/A | Jumper Wire | Steam models; MT control suffix; Junction box; 380 and 415 Volt/50 Hertz/3 Phase |
| 7 | M412776P | Relay Harness Assembly | DC, JC and SC electric models; Dual timer; CD and MT control suffixes; K1; 230 Volt/50 Hertz/1 Phase |
| 8 | M412777 | Relay Harness Assembly | Electric models; CD and MT control suffixes; Coin; 230 Volt/50 Hertz/1 Phase |
| 9 | M412641 | Transformer Harness Assembly | DC, JC and SC electric models; CD and MT control suffixes; Secondary; 230 Volt/50 Hertz/1 Phase |

N/A = Part no longer available

Contactor Box Assembly (Drawing 6 of 10)

Gas, Steam and Electric Reversing Models with MM or MT Control Suffixes
208-240 Volt/60 Hertz/3 Phase



TMB2264P_70410801

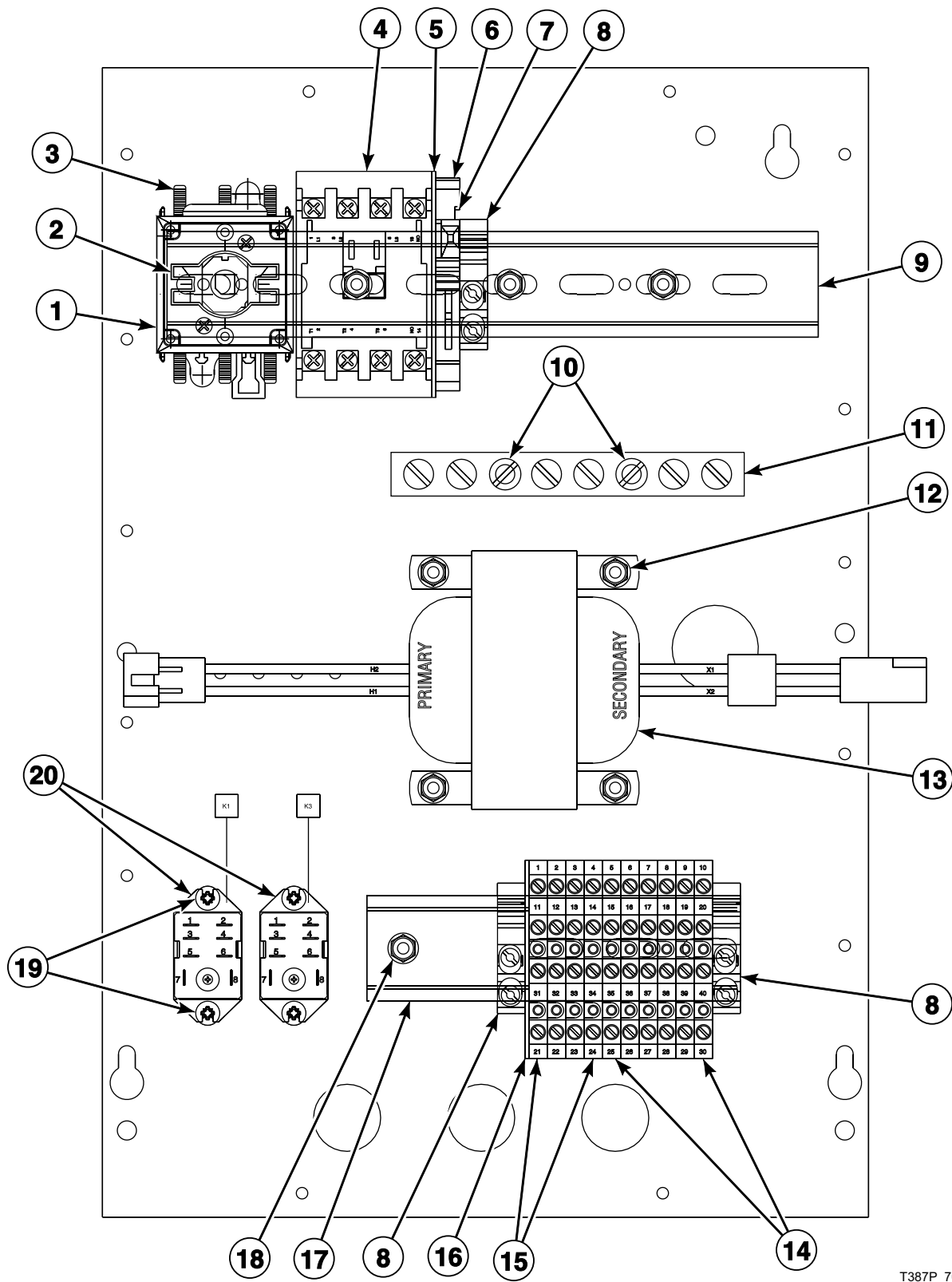
Contactor Box Assembly (Drawing 6 of 10)

| REF | PART NO. | DESCRIPTION | COMMENTS |
|-----|----------|--------------------------|--|
| | M414351 | Contactora Box Cover | |
| 1 | M411683 | Reversing Timer | Models starting Serial No. 9408xxxx |
| | N/A | Reversing Timer | Models starting Serial No. 699763Y6 through 9408xxxx |
| | N/A | Reversing Timer | Models through Serial No. 699762Y6 |
| 2 | M4849P3 | Reversing Contactora Kit | 120 Volt |
| | M4870P3 | Contactora Kit | 240 Volt |

N/A = Part no longer available

Contactor Box Assembly (Drawing 7 of 10)

Gas Models with MT Control Suffix
230 Volt/50 Hertz/1 Phase



T387P_70410801

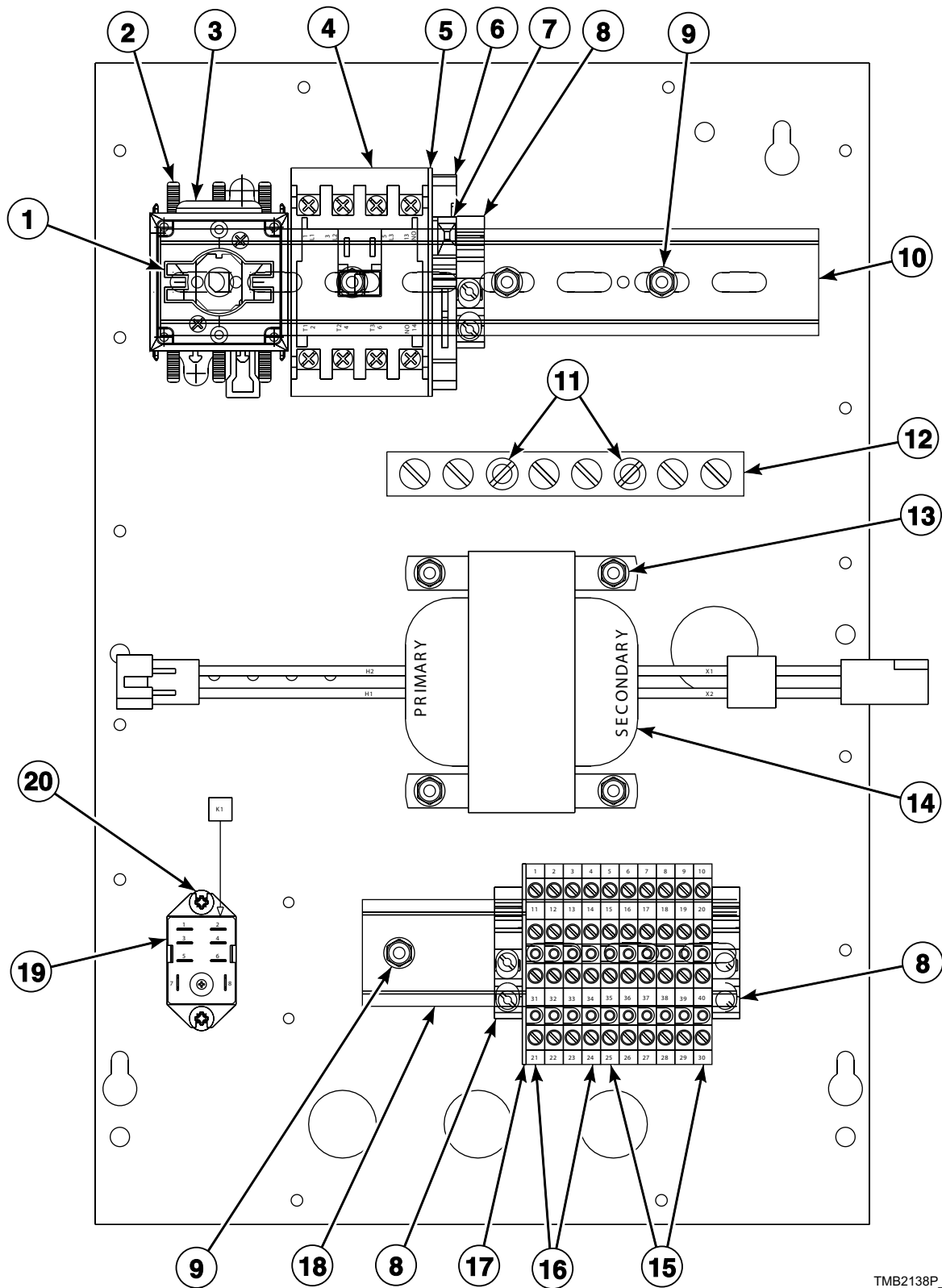
Contactor Box Assembly (Drawing 7 of 10)

| REF | PART NO. | DESCRIPTION | COMMENTS |
|-----|-----------|----------------------|------------------------------------|
| 1 | M412187P | Mounting Switch Base | 20 Amp; Includes 2 terminal blocks |
| 2 | M412370 | Extension Handle | Includes 2 screws |
| 3 | M412366 | Finger Guard | 20 Amp |
| 4 | 70323701P | Contactor | 9 Amp |
| 5 | M412540 | End Section | |
| 6 | M412537 | Terminal Block | |
| 7 | D502593 | Fuse | |
| 8 | 70121001 | End Stop | 230 Volt |
| 9 | N/A | Din Rail | 215.9 mm |
| 10 | M412688 | Nut | |
| 11 | M412656 | Ground Buss Assembly | |
| 12 | 33562 | Screw | |
| 13 | M412477P | Transformer | 230 Volt |
| 14 | M412631 | Terminal Block | 2 circuit |
| 15 | M412632 | Terminal Block | 1 circuit |
| 16 | M412633 | End Barrier | |
| 17 | N/A | Din Rail | 127 mm |
| 18 | 51780 | Screw | |
| 19 | D501086 | Screw | |
| 20 | M412534 | Relay | 24 Volt |

N/A = Part no longer available

Contactor Box Assembly (Drawing 8 of 10)

Steam Models with MT Control Suffix
230 Volt/50 Hertz/1 Phase



TMB2138P_70410801

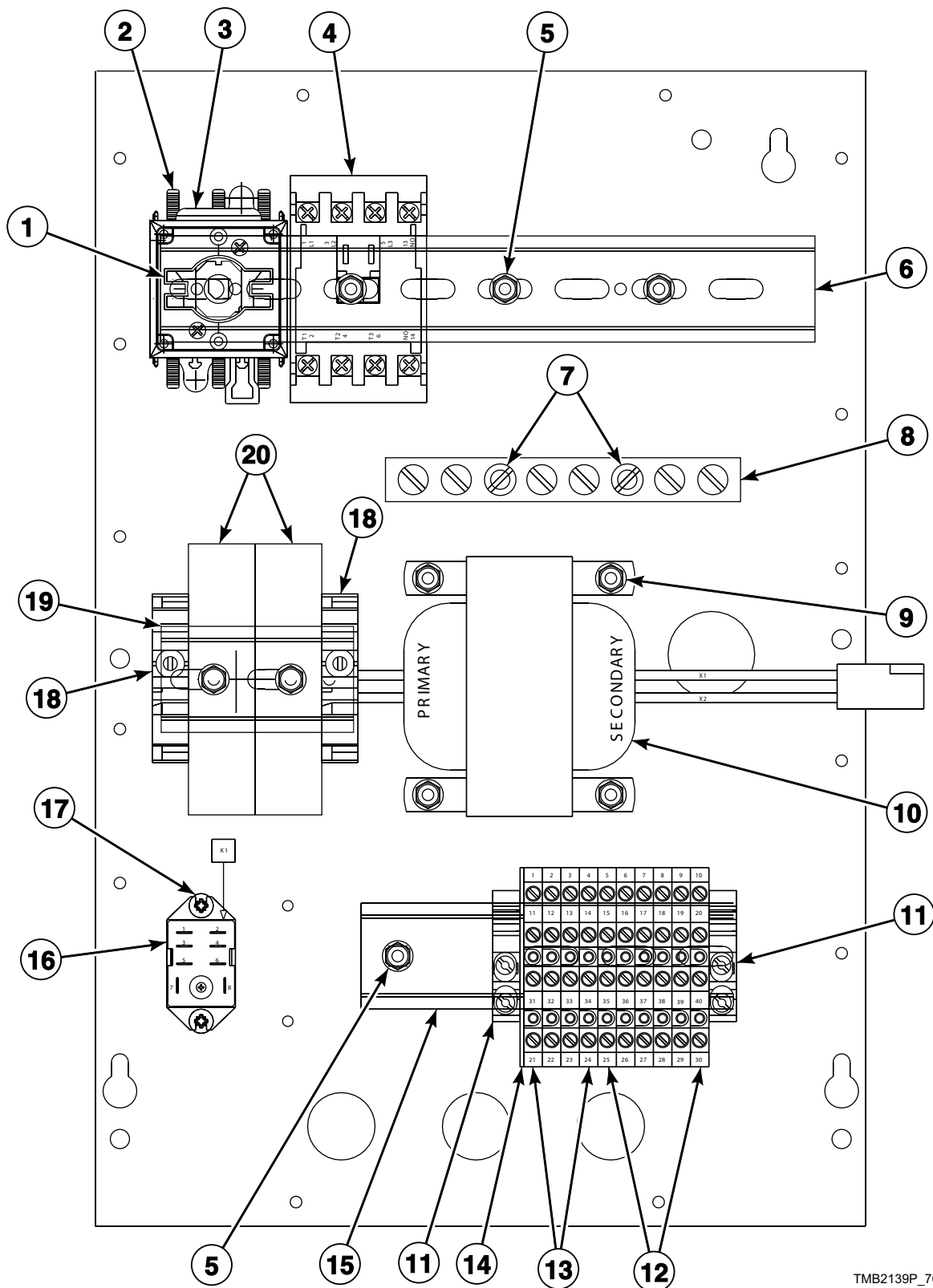
Contactor Box Assembly (Drawing 8 of 10)

| REF | PART NO. | DESCRIPTION | COMMENTS |
|-----|-----------|----------------------|--|
| 1 | M412370 | Extension Handle | Includes 2 screws; Cut-to-length; 20 Amp |
| 2 | M412366 | Finger Guard | 20 Amp |
| 3 | M412187P | Mounting Switch Base | Includes 2 terminal blocks; 20 Amp |
| 4 | 70323701P | Contactor | 9 Amp |
| 5 | M412540 | End Section | |
| 6 | M412537 | Terminal Block | Primary; 230 Volt |
| 7 | D502593 | Fuse | |
| 8 | 70121001 | End Stop | 230 Volt |
| 9 | 51780 | Screw | |
| 10 | N/A | Din Rail | 215.9 mm |
| 11 | M412688 | Nut | Used on back of item 12 |
| 12 | M412656 | Ground Buss Assembly | |
| 13 | 33562 | Screw | |
| 14 | M412477P | Transformer | 230 Volt |
| 15 | M412631 | Terminal Block | 2 circuit |
| 16 | M412632 | Terminal Block | 1 circuit |
| 17 | M412633 | End Barrier | |
| 18 | N/A | Din Rail | 127 mm |
| 19 | M412534 | Relay | 24 Volt |
| 20 | D501086 | Screw | |

N/A = Part no longer available

Contactor Box Assembly (Drawing 9 of 10)

Steam Models with MT Control Suffix
380 or 415 Volt/50 Hertz/3 Phase



TMB2139P_70410801

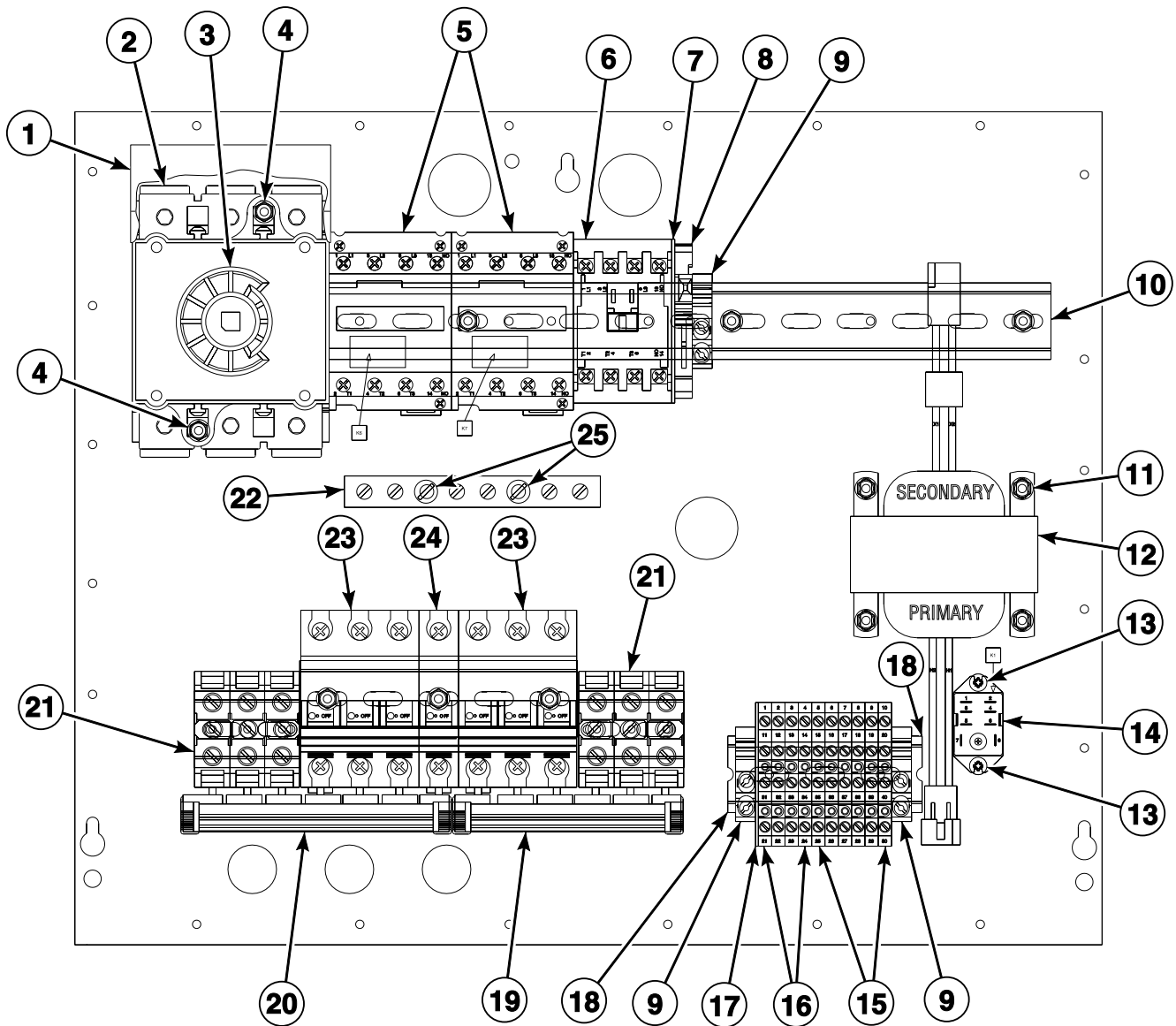
Contactor Box Assembly (Drawing 9 of 10)

| REF | PART NO. | DESCRIPTION | COMMENTS |
|-----|-----------|----------------------|------------------------------------|
| 1 | M412370 | Extension Handle | Includes 2 screws |
| 2 | M412366 | Finger Guard | 20 Amp |
| 3 | M412187P | Mounting Switch Base | Includes 2 terminal blocks; 20 Amp |
| 4 | 70323701P | Contactor | 9 Amp |
| 5 | 51780 | Screw | |
| 6 | N/A | Din Rail | 215.9 mm |
| 7 | M412688 | Nut | |
| 8 | M412656 | Ground Buss Assembly | |
| 9 | 33562 | Screw | |
| 10 | M412412P | Transformer | 400 Volt |
| 11 | 70121001 | End Stop | 230 Volt |
| 12 | M412631 | Terminal Block | 2 circuit |
| 13 | M412632 | Terminal Block | 1 circuit |
| 14 | M412633 | End Barrier | |
| 15 | N/A | Din Rail | 127 mm |
| 16 | M412534 | Relay | 24 Volt |
| 17 | D501086 | Screw | |
| 18 | M412615 | End Stop | |
| 19 | N/A | Din Rail | |
| 20 | M412538 | Terminal Block | |
| | M412996 | Fuse | Use inside terminal block |

N/A = Part no longer available

Contactor Box Assembly (Drawing 10 of 10)

Electric Models with CD and MT Control Suffixes
230 Volt/50 Hertz/1 Phase



TMB2502P_70410801

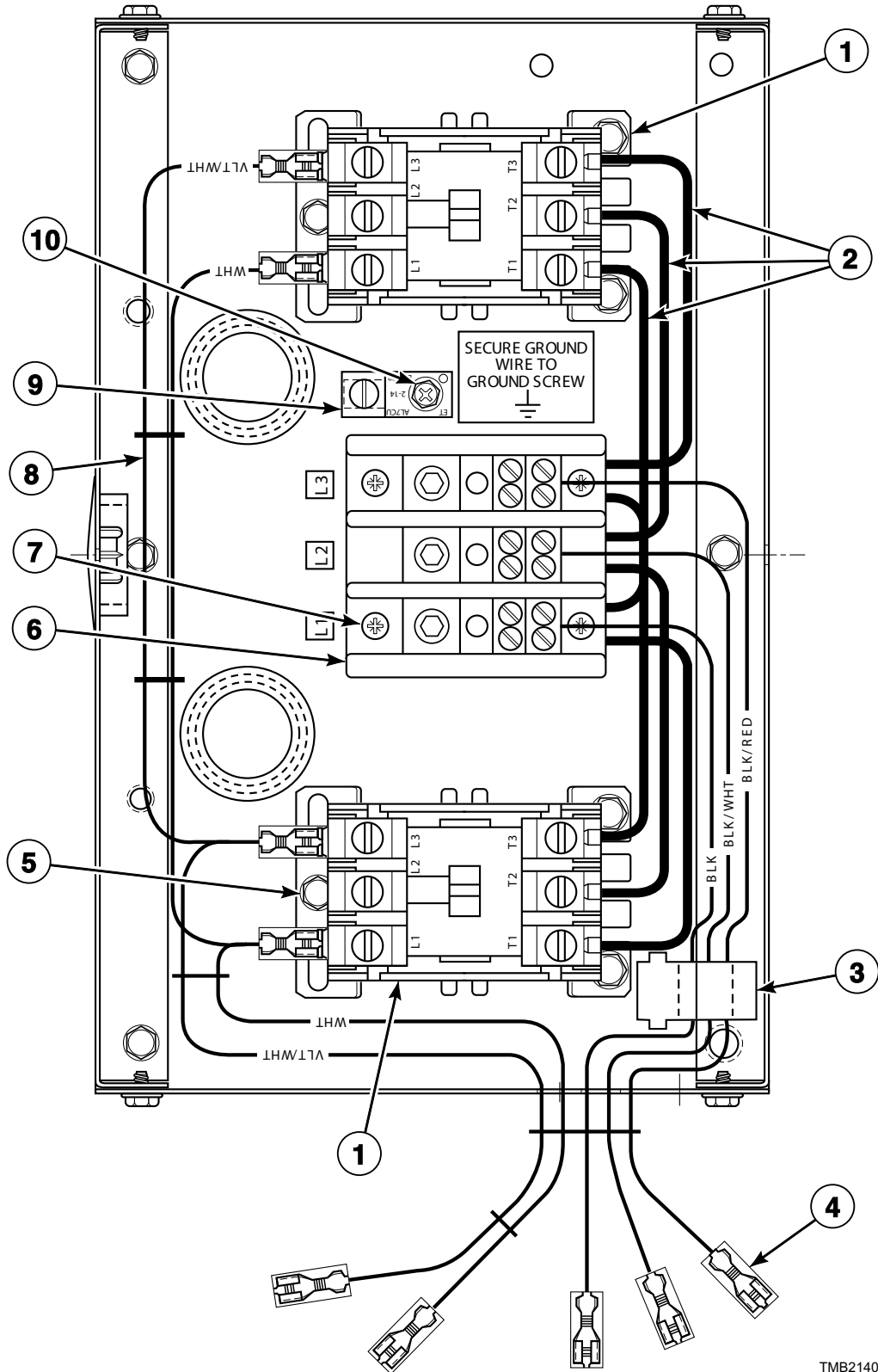
Contactor Box Assembly (Drawing 10 of 10)

| REF | PART NO. | DESCRIPTION | COMMENTS |
|-----|-----------|----------------------|--|
| 1 | M412367 | Finger Guard | 100 Amp |
| 2 | M412186 | Mounting Switch Base | Includes 2 terminal blocks; 100 Amp |
| 3 | M412371P | Extension Handle | Includes 2 screws |
| 4 | 33562 | Screw | |
| 5 | 70343301P | Contactor | 50 Amp; Electric |
| 6 | 70323701P | Contactor | 9 Amp; Motor |
| 7 | M412540 | End Section | 230 Volt |
| 8 | M412537 | Terminal Block | Primary; 230 Volt |
| | D502593 | Fuse | 250 Volt; 0.4 Amp; Use inside terminal block |
| 9 | 70121001 | End Stop | 230 Volt |
| 10 | N/A | Din Rail | 330.2 mm |
| 11 | 51780 | Screw | |
| 12 | M412477P | Transformer | 240 Volt |
| 13 | D501086 | Screw | Dual timer |
| 14 | M412534 | Relay | Dual timer; 24 Volt |
| 15 | M412631 | Terminal Block | 2 circuit |
| 16 | M412632 | Terminal Block | 1 circuit |
| 17 | M412633 | End Barrier | |
| 18 | M412692 | Din Rail | 88.9 mm |
| 19 | N/A | Buss Bar Assembly | 6 position |
| 20 | N/A | Buss Bar Assembly | 7 position |
| 21 | M412045P | Terminal Block | 3 pole |
| 22 | M412656 | Ground Buss Assembly | |
| 23 | M412406 | Circuit Breaker | 3 pole; 40 Amp |
| 24 | M412401 | Circuit Breaker | 1 pole; 8 Amp |
| 25 | M412688 | Nut | Use on back of item 22 |

N/A = Part no longer available

Accessory Box

Electric Models with OM Control Suffix



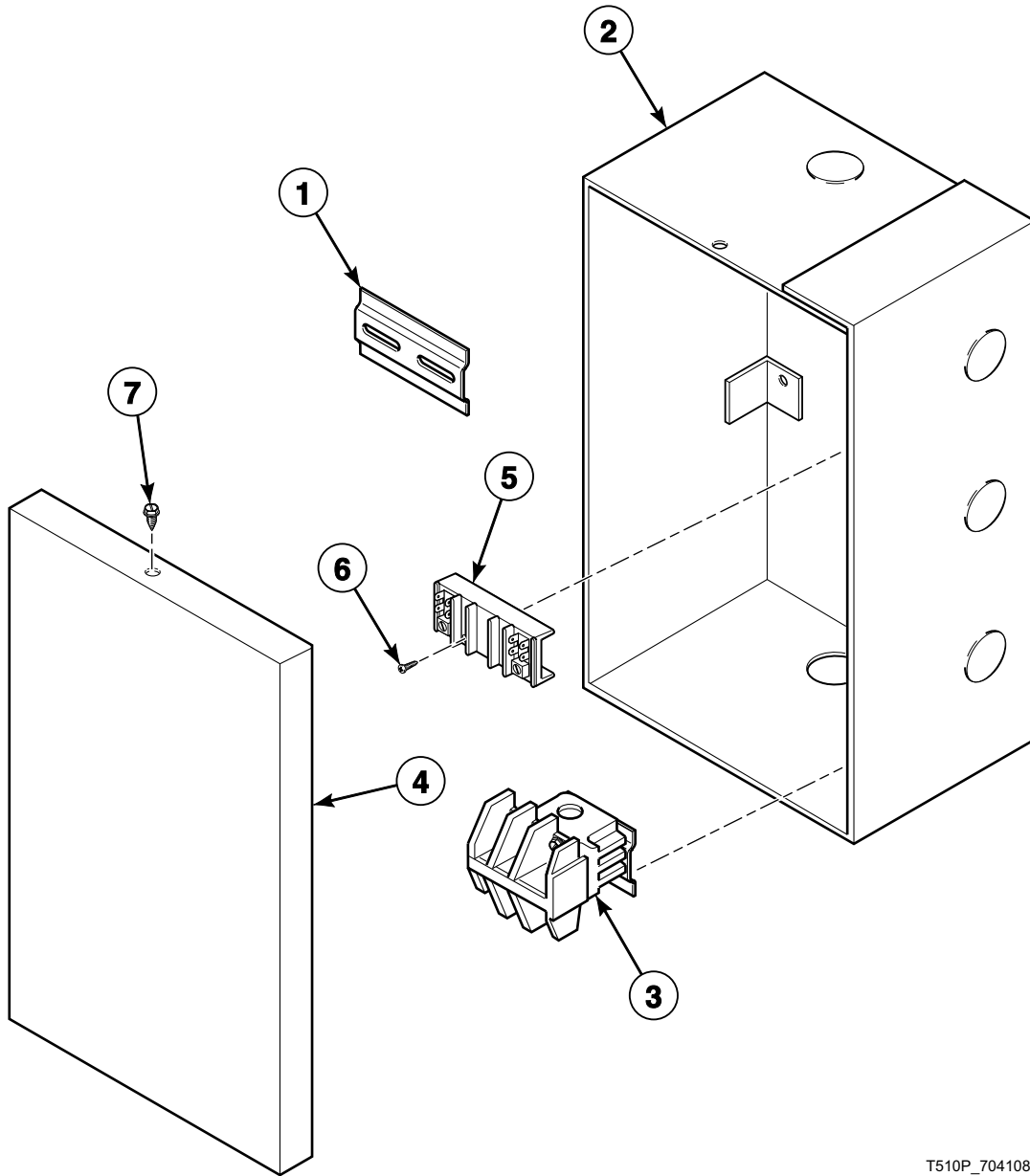
TMB2140P_70410801

Accessory Box

| REF | PART NO. | DESCRIPTION | COMMENTS |
|-----|-----------|--------------------------------|---|
| 1 | 70343301P | Contactors | 2 required for 208-240 Volt |
| 2 | M413933 | Jumper Cable Assembly | 6 required for 208-240 Volt/50 or 60 Hertz/3 Phase; 4 required for 240 Volt/50 Hertz/1 Phase; 3 required for 380 or 480 Volt/50 or 60 Hertz/3 Phase |
| | M413934 | Jumper Cable Assembly | 2 required for 240 Volt/50 Hertz/1 Phase |
| 3 | M413930P | Ferrite Core Assembly | |
| 4 | 44129001 | Accessory Box Harness Assembly | 240 Volt/50 Hertz/1 Phase |
| | 44129101P | Accessory Box Harness Assembly | 208-240 Volt/50 or 60 Hertz/3 Phase; 380 or 480 Volt/50 or 60 Hertz/3 Phase |
| 5 | 51780 | Screw | For item 1 |
| 6 | M413864 | Terminal Block | 2 pole; 240 Volt/50 Hertz/1 Phase |
| | M413865 | Power Distribution Block | 3 pole; 3 Phase |
| 7 | 39733 | Screw | |
| 8 | 44129201P | Jumper Harness | 208-240 Volt/50 or 60 Hertz/1 or 3 Phase |
| 9 | M411283 | Ground Lug Connector | |
| 10 | M402917 | Screw | Ground |

Junction Box

MT or MM Control Suffixes for Reversing and Nonreversing Models



T510P_70410801

Junction Box

| REF | PART NO. | DESCRIPTION | COMMENTS |
|-----|----------|-----------------------|--|
| 1 | N/A | Din Rail | |
| 2 | N/A | Junction Box Assembly | |
| 3 | M410529 | Contactor | 120 Volt |
| | M410457P | Contactor | 208-240 or 480 Volt |
| | 431349 | Relay | 120 Volt/50 or 60 Hertz; MM control suffix (CRI) |
| 4 | N/A | Junction Box Cover | |
| 5 | M405364 | Terminal Block | 120 Volt; Gas and steam models |
| | M405363 | Terminal Block | 208-240 Volt; Gas models |
| 6 | M405824 | Screw | |
| 7 | 51780 | Screw | |

N/A = Part no longer available

Parts Index

A

| | |
|----------------------------------|----------------------------|
| Accessory Box Harness Assembly | |
| 44129001 | 143 |
| 44129101P | 143 |
| Actuator Switch | |
| M412423 | 73 |
| Airflow Switch | |
| M400944 | 73 |
| Airflow Switch Assembly | |
| M401883 | 73 |
| Airflow Switch Bracket | |
| M409202 | 73 |
| Airflow Switch Guard | |
| M410544 | 73 |
| Airflow Switch Handy Box | |
| M403235 | 73 |
| Airflow Switch Harness Assembly | |
| M412575 | 73 |
| M413689 | 73 |
| Airflow Switch Insulator Barrier | |
| M400712 | 73 |
| Airflow Switch Vane | |
| M413475 | 73 |
| Airflow Switch Vane Lever | |
| M400753 | 73 |
| Anti-Torque Ring | |
| M400605 | 75, 79, 81, 85, 89, 91, 99 |

B

| | |
|---------------------------|--------|
| Ball Bearing | |
| M400592 | 45 |
| M401375P | 51, 55 |
| M413921P | 43 |
| M413922P | 43 |
| 44041901P | 43 |
| Bearing | |
| F100136P | 43 |
| Bearing Retainer | |
| M401370 | 51, 55 |
| Belt | |
| M401182P | 45, 47 |
| M412090 | 53 |
| M412981 | 53 |
| Belt Drive Conversion Kit | |
| BDK5075 | 45 |
| BDK5075R | 43, 51 |
| Belt Guard | |
| M413008 | 57, 67 |
| M413541 | 51, 69 |
| Belt Guard Assembly | |
| M44132402 | 53 |
| 44132401 | 45, 47 |
| 44132402 | 51 |
| 44132405 | 45, 47 |
| 44132407 | 53 |
| Blower Cover | |
| M413399 | 65 |

| | |
|-------------------------|--------------------|
| Bolt | |
| M400650 | 43 |
| M401393 | 57 |
| M412119 | 49 |
| M412475 | 45 |
| Bracket | |
| M406936 | 89 |
| Bumper | |
| M400795 | 113 |
| Burner Assembly | |
| M405919 | 85, 89, 91 |
| M410541P | 85, 89, 91, 97, 99 |
| Burner Kit | |
| M4448P3 | 75, 79, 81 |
| Burner Orifice | |
| M400918 | 75 |
| M400997 | 101 |
| M400998 | 101 |
| M400999 | 101 |
| M401001 | 101 |
| M401002 | 101 |
| M401003 | 101 |
| M401011 | 101 |
| M401014 | 101 |
| M401016 | 101 |
| M401017 | 101 |
| M401019 | 101 |
| M401020 | 101 |
| M401021 | 101 |
| M401022 | 101 |
| M401025 | 101 |
| M401027 | 101 |
| M402598 | 79 |
| M402701 | 79 |
| M402997 | 101 |
| M403017 | 101 |
| M406184 | 101 |
| Q8152 | 75 |
| Bushing | |
| H87529111P | 65 |
| M403432P | 43 |
| M412086P | 53 |
| M412885P | 53 |
| M412917P | 53 |
| Bypass Harness Assembly | |
| M413168 | 19, 29, 119 |

C

| | |
|--------------------------------------|-----|
| Cabinet Limit Harness Assembly | |
| M412670 | 113 |
| M413693P | 113 |
| Cam and Screw | |
| M400595 | 39 |
| Card Reader and Bracket Assembly | |
| D510068P | 23 |
| Card Reader Harness Assembly | |
| 70211801 | 23 |
| Card Reader Network Harness Assembly | |
| 70206601 | 23 |
| Chain Connecting Link | |
| M401360P | 45 |

N/A items do not appear in index.

| | | | |
|--|--------------------|---|------------|
| Chain Guard Assembly M409350 | 45 | Contactor Kit M4870P3 | 117, 133 |
| Chain Sleeve M400755P | 45 | Control Box Harness Assembly M413678P | 19, 89, 91 |
| Chain Sprocket M401369P | 45 | M413679 | 19 |
| Channel Ignition Kit 607P3 | 97 | M413680 | 19 |
| Circuit Board Support M405979 | 29, 85 | M413683P | 119 |
| Circuit Breaker M412401 | 141 | M413754 | 119 |
| M412406 | 141 | M413824 | 19, 119 |
| Clip M400974 | 111 | M413993 | 19 |
| M400976 | 73 | Control Box Wire Harness Assembly M411073 | 17 |
| M400984 | 33 | Control Harness M405871P | 7 |
| Coil M400915 | 117 | Control Kit D505905P | 23, 25 |
| Coil Spring M402455 | 15 | 70228401P | 19 |
| Coin Carrier Spring M405138A | 15 | Control Panel Assembly M410660 | 11 |
| Coin Drop 70256402P | 25 | M410680 | 11 |
| 70441601P | 25 | M413315 | 11 |
| Coin Drop Assembly 38475 | 25 | M413316 | 11 |
| 38519 | 25 | M414204 | 13 |
| Coin Meter M402508-12 | 7, 15 | M414906 | 11 |
| M402508-14 | 7, 15 | Control Panel Retainer M401301 | 7, 9, 13 |
| M402508-34 | 7, 15 | M401302 | 7, 9, 13 |
| M402508-36 | 7, 15 | Control Panel Wire Harness Assembly M403924P | 7, 9, 13 |
| M402508-45 | 7, 15 | M410488 | 9, 13 |
| M405138P | 7, 15 | Control Plate Assembly 70175807 | 25 |
| M412546 | 7 | 70348801 | 23 |
| Coin Meter Drive M400754 | 15 | Control Wire Harness Assembly M410487 | 9, 13 |
| Coin Retainer Spring M406297 | 15 | Counterweight M400822 | 73 |
| Coin Vault Assembly 44102801 | 31 | Cover Plate M401362 | 57 |
| Coin Vault Jumper Wire M414305P | 25 | Cylinder M400439P | 41 |
| Communication Board 210095P | 27 | M400440P | 41 |
| 210097 | 27 | M401985P | 41 |
| Communication Cable M414875P | 21 | M402517P | 41 |
| Contact Block M412230 | 13 | M405365P | 41 |
| 44018701 | 13 | Cylinder and Trunnion Assembly M406906P | 41 |
| Contactor M400905P | 109 | M409015P | 41 |
| M405116P | 109 | M409090P | 41 |
| M410457P | 145 | M409091 | 41 |
| M410529 | 145 | 44037101 | 41 |
| 70323701P | 135, 137, 139, 141 | 44037201 | 41 |
| 70343301P | 141, 143 | 44068901P | 41 |
| Contactor Box Cover M414351 | 109, 117, 133 | 44069001 | 41 |
| Contactor Box Harness Assembly M413684P | 119 | Cylinder Assembly M405009P | 41 |
| | | Cylinder Motor Harness M412745 | 67, 69 |
| | | Cylinder Motor Harness Assembly M412573 | 67, 69 |
| | | M413687 | 67, 69 |
| | | M413688 | 67, 69 |
| | | Cylinder, Trunnion and Bearing Housing Kit M4819P3 | 41 |
| | | M4820P3 | 41 |
| | | M4821P3 | 41 |

N/A items do not appear in index.

D

| | |
|---|--------|
| Data Connector, 3 Circuit 210155 | 27 |
| Deflector Shield M402746 | 81 |
| Din Rail M412692 | 141 |
| Diode Logic Board M405897P | 29, 85 |
| Disconnect Power Warning Label D505281 | 115 |
| Door Assembly M400447P | 35 |
| M410887 | 35 |
| 430475 | 35 |
| Door Catch Kit 70482901 | 35 |
| Door Glass M400784P | 35 |
| 70133601P | 35 |
| Door Glass Seal Kit 70211901P | 35 |
| Door Handle M400133 | 35 |
| 430117 | 35 |
| Door Hinge Assembly M402714* | 35 |
| Door Latch M401223 | 35 |
| Door Ring Gasket M406129 | 35 |
| Door Safety Switch Kit M4842P3 | 37 |
| Door Switch M400952 | 29 |
| Door Switch Harness Assembly M412459 | 29 |
| Door Switch Rod M400603 | 35 |
| Double V Sheave M412916 | 53 |
| Drive Rivet M400713 | 33 |
| Drum Idler Wheel Assembly 430619 | 49 |

E

| | |
|--|--------------------|
| Electric Hood M412316 | 105 |
| Electronic Coin Control Kit M4686P3 | 25 |
| Emergency Stop Kit 44018701P | 13 |
| End Barrier M412633 | 135, 137, 139, 141 |
| End Section M412540 | 135, 137, 141 |
| End Stop M412615 | 139 |

| | |
|---|--------------------|
| 70121001 | 135, 137, 139, 141 |
| Exhaust Thimble M413173 | 113 |
| Exhaust Thimble Assembly M412288 | 113 |
| Extension Handle M412370 | 135, 137, 139 |
| M412371P | 141 |
| Extension Spring M412120 | 47, 49 |

F

| | |
|---|------------------------------|
| Fan and Bushing Assembly M414546 | 65 |
| Fan Contactor M413614P | 121, 123, 125, 127, 129 |
| Fan Kit M4936P3 | 57 |
| Fan Motor 44046001P | 61, 63 |
| Fan Motor Harness Assembly M413281 | 63 |
| M413686 | 59, 61, 63 |
| Felt Pad M402144 | 41 |
| Ferrite Core Assembly M413930P | 121, 123, 125, 127, 129, 143 |
| Finger Guard M412366 | 135, 137, 139 |
| M412367 | 141 |
| Flexible Coupler M412551 | 37 |
| Front Panel Assembly M410758LP | 35 |
| M410877*P | 35 |
| M411129*P | 35 |
| M411132P | 35 |
| M412792*P | 35 |
| Fuse D502593 | 135, 137, 141 |
| M412996 | 139 |
| M413118 | 121, 123, 125, 127, 129 |
| M413623 | 121, 123, 125, 127, 129 |
| M414104 | 19 |
| M414232 | 121, 123, 125, 127, 129 |
| 430836 | 89 |
| 44310001 | 123, 129 |
| 70406501 | 19 |
| Fuse Holder M413544P | 123, 129 |
| Fuse Receptacle 91024P | 89, 121, 123, 125, 127, 129 |

G

| | |
|--------------------------------------|--------|
| Gas Shut-Off Valve M412562P | 97, 99 |
| Gas Stove Assembly M413657P | 85, 91 |
| M414366 | 91 |

N/A items do not appear in index.

| | |
|----------------------------|--------------------|
| Gas Valve | |
| M401224P | 79 |
| M401228P | 75 |
| M401229P | 75 |
| M401230P | 75 |
| M401231P | 75 |
| M402750P | 81 |
| M403151P | 81 |
| M409517P | 89, 91 |
| M410907P | 95 |
| M410908 | 95 |
| M413332P | 89, 93, 99 |
| 44154501P | 93 |
| Gas Valve Assembly | |
| M409152P | 89, 91, 93 |
| M409153P | 89, 91 |
| M409561P | 89, 91 |
| Gas Valve Bracket | |
| M405945 | 89, 91 |
| M406814 | 85, 89, 91, 99 |
| Gas Valve Coil | |
| 44042901P | 93 |
| Gas Valve Flange Assembly | |
| M412568 | 97 |
| Gas Valve Harness Assembly | |
| M413650 | 77, 83, 95, 99 |
| Gas Valve Kit | |
| M401225P | 79 |
| M413468P | 91, 93 |
| 44138701P | 91, 93 |
| Gas Valve Main Coil | |
| M411134 | 93 |
| Gasket | |
| M400798 | 77, 83 |
| Ground Buss Assembly | |
| M412656 | 135, 137, 139, 141 |
| Ground Lug Connector | |
| M411283 | 109, 117, 143 |
| Guide Rail | |
| M412476 | 45, 47, 51, 53 |
| Guide Rail Support | |
| M413267 | 53 |
| M413268 | 53 |

H

| | |
|-------------------------------|---------------|
| Handle and Cam Assembly | |
| M410243P | 39 |
| Harness Assembly | |
| M412997 | 77, 83, 97 |
| M413690 | 73 |
| Heater Cable Assembly | |
| M413959 | 107 |
| M413960 | 107 |
| Heater Cable Harness Assembly | |
| M412801 | 105 |
| M412802 | 105 |
| Heater Element | |
| M405253P | 103 |
| M405254P | 103 |
| M405255P | 103 |
| M405256P | 103 |
| M410939P | 103, 105, 107 |
| M410940P | 103, 105, 107 |

| | |
|--------------------------------|---------------|
| M410941P | 103, 105, 107 |
| M412955P | 105, 107 |
| High Voltage Lead | |
| M406881 | 89, 91, 99 |
| High Voltage Suppression Cable | |
| 44239704 | 89, 91 |
| Hinge Assembly | |
| M400514 | 35 |
| Hinge Bracket | |
| 431000* | 35 |
| 431044 | 35 |
| Hinge Pin | |
| M400653 | 35 |
| Hood Assembly | |
| M401159 | 103 |
| Housing and Trunnion Assembly | |
| M4642P3 | 43 |
| M4643P3 | 43 |

I

| | |
|-------------------------------------|--------|
| Idler Arm Kit | |
| M414320P | 49 |
| Idler Housing | |
| M412612 | 55 |
| Idler Housing Kit | |
| 917P3 | 51, 55 |
| 943P3P | 49 |
| Idler Kit | |
| M4322P3 | 45 |
| Idler Shaft | |
| M401371 | 51 |
| M412099 | 55 |
| M412223P | 45, 49 |
| M414241 | 55 |
| Igniter | |
| 55438P | 81, 85 |
| Igniter Bracket Assembly | |
| M402745P | 81, 85 |
| Igniter Kit | |
| M4337P3 | 79 |
| M4338P3 | 79 |
| Ignition Bracket | |
| M402594 | 79 |
| Ignition Control | |
| M406789P | 89, 91 |
| M4898P3 | 97 |
| 70483201P | 99 |
| Ignition Control Harness Assembly | |
| M413548 | 99 |
| Ignition Control Kit | |
| 44264601 | 89, 91 |
| Ignition Wire Harness Assembly | |
| M406880 | 89, 91 |
| Instant Electronic Ignition Control | |
| M410904P | 95 |

J

| | |
|------------|---------------|
| Jumper Bar | |
| M400866 | 103, 105, 107 |

N/A items do not appear in index.

| | |
|-------------------------------|---------------|
| Jumper Cable Assembly | |
| M413933 | 143 |
| M413934 | 143 |
| Jumper Cable Wire | |
| M412740 | 131 |
| Jumper Configuration Assembly | |
| M413507 | 119 |
| M413510 | 119 |
| Jumper Harness | |
| 44129201P | 143 |
| Jumper Harness Assembly | |
| M412871 | 105 |
| M413505 | 119 |
| M413506 | 119 |
| M413508 | 119 |
| M413509 | 119, 131 |
| M414078 | 119 |
| Jumper Strip | |
| M400869 | 103, 105, 107 |
| Jumper Wire | |
| M400337 | 77 |
| M402823 | 83 |
| M402824 | 83 |
| M402825 | 83 |
| M404868 | 87 |
| Jumper Wire Assembly | |
| M401281 | 103, 105 |
| M403743 | 103 |
| M412116 | 109 |
| M412117 | 109 |
| M412287 | 105, 107 |
| M412645 | 19, 97 |

K

| | |
|-------------------------|----------------|
| Key | |
| M400008 | 41, 47 |
| M400993 | 45, 55, 57, 67 |
| M401327 | 45, 47, 51, 55 |
| M405232 | 41, 43 |
| Key and Instruction Kit | |
| M400994P | 57 |
| Kickplate Kit | |
| M414438P | 39 |
| Knob | |
| M400773 | 9, 13 |
| M400777 | 29 |
| M410927 | 9, 13 |

L

| | |
|------------------------|--------------------------|
| Limit Thermostat | |
| M401404 | 79, 85, 89, 91 |
| M405943 | 103 |
| M406412 | 113 |
| M409433 | 75, 81, 85, 89, 105, 107 |
| M410220 | 85, 91, 99, 105, 107 |
| M410542 | 39, 113 |
| M411813 | 39 |
| Lint Compartment Label | |
| 430527 | 115 |
| Lint Hood Assembly | |
| M400515 | 39 |

| | |
|---------------------------|--------|
| Lint Panel Assembly | |
| M400464LP | 39 |
| M402722LP | 39 |
| M405646 | 39 |
| M414796*P | 39 |
| M414798*P | 39 |
| M414799P | 39 |
| Lint Screen Assembly | |
| M400522 | 39 |
| Loading Spring | |
| M400401 | 51, 55 |
| Lock and Key | |
| M401581P | 31 |
| Low Pressure Steam Cover | |
| M400828 | 111 |
| L.P. Conversion Kit | |
| M4379P3 | 85, 89 |
| M4454P3 | 85, 91 |
| M4478P3 | 85, 91 |
| M4609P3 | 85, 91 |
| L.P. Gas Valve Kit | |
| M4897P3 | 91, 93 |
| M4987P3 | 85 |
| L.P. Valve Conversion Kit | |
| M405434P | 87, 93 |

M

| | |
|-------------------------|------------------------|
| Magnetic Operator | |
| M406217P | 77, 83 |
| Main Coil | |
| M405430 | 87 |
| Main Harness | |
| 44098801 | 19 |
| Main Harness Assembly | |
| M413546 | 29 |
| M413676P | 19 |
| Manifold Pipe Assembly | |
| M406681 | 75, 79, 81, 85, 89, 91 |
| M413395 | 99 |
| Manual Reset Thermostat | |
| M411941 | 113 |
| M411943 | 95 |
| Membrane Switch | |
| M414368P | 19 |
| Micro Harness Assembly | |
| M413677 | 19 |
| Micro Mounting Assembly | |
| M413738 | 19 |
| Micro V Belt | |
| M411425P | 47 |
| Micro V Pulley | |
| M411466P | 49 |
| Micro V Sheave | |
| M412156 | 47 |
| Microprocessor Overlay | |
| M412961 | 17 |
| M413417 | 19 |
| M413423 | 19 |
| M413425 | 19 |
| M413426 | 19 |
| Motor | |
| M400611P | 15 |
| M409735P | 59, 61, 63 |

N/A items do not appear in index.

| | |
|-----------------------------|----------------|
| M410852 | 67 |
| M411188P | 63 |
| M411189P | 59 |
| M411190P | 59 |
| M411191P | 59, 63 |
| M412225P | 61 |
| M412226P | 63 |
| M412227P | 63 |
| 44046101P | 61 |
| 44046201P | 61, 63 |
| 44046301P | 65 |
| Motor Base | |
| M413391 | 65 |
| Motor Belt | |
| M411814P | 51 |
| Motor Bracket | |
| M411483 | 47, 53, 57 |
| Motor Bracket Assembly | |
| M400520 | 67 |
| M400521 | 67 |
| Motor Capacitor | |
| M406291 | 63 |
| M410296 | 63 |
| M410298 | 63 |
| M410300 | 63 |
| M410301 | 63 |
| M410302 | 63 |
| Motor Hardware Kit | |
| M4426P3 | 57 |
| Motor Harness Assembly | |
| M411828 | 59, 61, 67, 69 |
| M411980 | 59, 61 |
| M412107 | 67, 69 |
| Motor Kit | |
| M412519P | 67, 69 |
| M412520P | 67, 69 |
| Motor Mount Assembly | |
| M413617 | 67, 69 |
| Motor Mounting Ring Kit | |
| M405419P | 57 |
| Motor Replacement Kit | |
| M4833P3 | 61, 63 |
| M4834P3 | 59, 61 |
| M4857P3 | 59 |
| M4858P3 | 59 |
| Motor Wire Harness Assembly | |
| M409489 | 59, 61, 63 |
| M409982 | 59, 61 |
| M411827 | 59, 61, 67, 69 |
| Mounting Plate | |
| M410800 | 17 |
| M413397 | 17 |
| 70208801 | 23 |
| Mounting Switch Base | |
| M412186 | 141 |
| M412187P | 135, 137, 139 |

N

| | |
|-------------------|----|
| Nameplate | |
| M410355 | 33 |
| Nameplate Overlay | |
| M412963 | 33 |

| | |
|------------------------------------|----------------------------|
| Network Board | |
| 210157P | 27 |
| Network Board Assembly | |
| 210016P | 21 |
| Network Cable | |
| 210165 | 27 |
| Network Capacitor Assembly | |
| M413863 | 121, 123, 125, 127, 129 |
| Network Capacitor Harness Assembly | |
| M413878 | 119, 121 |
| Network Plug Support | |
| 70201401 | 21 |
| Network Wire Harness Assembly | |
| 800217 | 21 |
| Nut | |
| M400022 | 57 |
| M400026 | 45, 47, 51, 53 |
| M400033 | 43, 47 |
| M400034 | 57 |
| M400035 | 43, 47 |
| M400672 | 7 |
| M400926 | 79 |
| M400977 | 73 |
| M400979 | 73 |
| M400981 | 29 |
| M401548 | 75, 79, 81, 85, 89, 91, 99 |
| M401930 | 41 |
| M404993 | 41, 47, 53 |
| M412626 | 47, 53 |
| M412688 | 135, 137, 139, 141 |
| M414215 | 35 |
| Q6163 | 35, 103, 105 |
| 02428 | 45, 57, 65, 67, 69 |
| 02788 | 29 |
| 20274 | 43, 65 |
| 20275 | 35 |
| 52566 | 49 |
| 56156 | 49 |
| 70054 | 19, 25, 105, 107 |
| 70142 | 53, 57 |
| N.G. Gas Valve Kit | |
| M4986P3 | 85 |

O

| | |
|----------|----|
| Operator | |
| M400331P | 77 |
| Overlay | |
| 70115801 | 19 |
| 70128401 | 19 |
| 70184301 | 25 |
| 70184302 | 25 |
| 70184401 | 23 |
| 70239601 | 25 |
| 70239602 | 25 |

P

| | |
|------------|--------|
| Panel Key | |
| M401677 | 33 |
| M401680 | 33, 39 |
| Panel Lock | |
| M406654P | 33, 39 |

N/A items do not appear in index.

| | |
|---|--------------------------------|
| PC Board Standoff 210098 | 27 |
| Pilot Electrode M402591P | 79 |
| Pilot Ignition Control M410011P | 79 |
| Pilot Light JST-163-2 | 9 |
| Pilot Tubing M402596 | 79 |
| Pipe M400749 | 75, 79, 81, 85, 89, 91, 97, 99 |
| Pop Rivet M400003 | 35 |
| M405750 | 7, 9, 13 |
| Power Distribution Block M413865 | 143 |
| Pulley M412884 | 53 |
| M414564 | 57 |
| M414565 | 67, 69 |
| M414566 | 57 |
| M414567 | 69 |
| Pushbutton 44018801 | 13 |
| Pushbutton Switch M413431 | 99 |
| 70413301 | 23, 25 |
| Push-to-Start Switch Kit 44106901P | 7, 9 |

R

| | |
|--|--------------------|
| Relay M400911P | 9 |
| M400912P | 9, 17 |
| M412534 | 135, 137, 139, 141 |
| 430746 | 121, 123, 125, 127 |
| 431349 | 121, 145 |
| Relay Harness Assembly M412636 | 131 |
| M412776P | 131 |
| M412777 | 131 |
| M414032 | 119 |
| M414150 | 119 |
| M414224 | 119 |
| Remote Igniter Kit M4385P3 | 79 |
| Replacement Door Handle Kit 70133501P | 35 |
| Reset Assembly M400329P | 77 |
| Resilient Ring Kit M4525P3P | 57 |
| Resistor Assembly M400527 | 7, 9 |
| M410992 | 9 |
| Return Spring M405138B | 15 |
| Reversing Contactor M400906P | 117 |
| M410515P | 117 |
| M413615P | 127, 129 |

| | |
|---|----------|
| Reversing Contactor Harness Assembly M414034 | 119 |
| Reversing Contactor Jumper Assembly M413624 | 119 |
| M413695 | 119 |
| Reversing Contactor Kit M4849P3 | 117, 133 |
| Reversing Jumper Harness Assembly M412927 | 119 |
| M412928 | 119, 131 |
| M412929 | 119, 131 |
| Reversing Timer M411683 | 117, 133 |
| Rib Rod M400901 | 41 |
| M401411 | 41 |
| M404992 | 41 |
| Ring M400399 | 45, 47 |
| Rocker Switch M413270 | 9, 17 |
| Roller Chain M400597P | 51 |
| M401425 | 45 |
| Run Light M404151 | 7 |

S

| | |
|------------------------|--|
| Screw D501086 | 135, 137, 139, 141 |
| D501524 | 25 |
| M400043 | 47, 53 |
| M400044 | 17, 35, 109, 121, 123, 125, 127, 129 |
| M400057 | 53, 57, 65, 67, 69 |
| M400061 | 45 |
| M400063 | 43 |
| M400065 | 45, 47, 51, 67 |
| M400071 | 7, 9, 29, 121, 123, 125, 127 |
| M400072 | 7, 9, 29 |
| M400077 | 49, 57 |
| M400661 | 35 |
| M400664 | 17, 39, 73, 75, 79, 81, 85, 89, 91, 95, 103, 109, 113 |
| M401938 | 73 |
| M402797 | 75, 79, 81, 85, 89, 91 |
| M402917 | 7, 9, 109, 117, 121, 123, 125, 127, 129, 143 |
| M405188 | 57, 67, 85, 89, 91 |
| M405525 | 45, 47, 51 |
| M405824 | 121, 123, 125, 127, 129, 145 |
| M409385 | 35, 43, 51, 55, 79 |
| M410059 | 57 |
| M411052 | 9, 13 |
| M412531 | 37 |
| M412627 | 47, 53 |
| M413565 | 69 |
| Q6516 | 29 |
| 22688 | 65 |
| 27202 | 69, 71 |
| 33562 | 7, 9, 105, 107, 135, 137, 139, 141 |
| 39733 | 143 |
| 430497 | 19, 33, 73, 107, 109, 111, 113, 117 |
| 430648 | 49, 53 |
| 430757 | 39 |
| 431287 | 33 |

N/A items do not appear in index.

| | |
|------------------------------|---|
| 51778 | 121, 123, 125, 127, 129 |
| 51780 | 9, 109, 123, 125, 127, 129, 135, 137, 139, 141, 143, 145 |
| 51782 | 81, 85 |
| 62541 | 45, 51 |
| 70240301 | 107 |
| Sensor | |
| D510213 | 81, 85 |
| Sensor Cable Harness | |
| M413559P | 19 |
| 44342602P | 19 |
| Sensor Probe | |
| M401209P | 79 |
| Shadow Box and Clip | |
| M400131P | 31 |
| Shadow Box Clip | |
| M400972 | 31 |
| Sheave Kit | |
| 44086901P | 45, 47 |
| Shut-Off Valve Kit | |
| M4983P3 | 75, 79, 81, 85, 89, 91, 99 |
| Single Sheave | |
| M400147 | 51 |
| Single V Sheave | |
| M412931 | 53 |
| Sleeve | |
| M400925 | 79 |
| Solenoid Valve DIN Connector | |
| 70370301P | 111 |
| Spacer | |
| M401402 | 41 |
| 44024001 | 43, 53 |
| Spark Electrode | |
| 44328701P | 89, 91, 97, 99 |
| Spark Igniter | |
| M410905P | 95 |
| Spring Clip | |
| M400402 | 35 |
| Sprocket | |
| M400090P | 43 |
| M401364P | 51 |
| M401365P | 45 |
| Spud Holder Assembly | |
| M406810 | 85, 91, 99 |
| M410546 | 89, 99 |
| Steam Coil | |
| M400636P | 111 |
| M400637P | 111 |
| Steam Heater Assembly | |
| M413572P | 111 |
| Steam Solenoid | |
| 70351011P | 111 |
| 70351012 | 111 |
| Steam Valve | |
| F8322902 | 111 |
| F8322903 | 111 |
| M413298P | 111 |
| Steam Valve Coil | |
| M401383 | 111 |
| M412258 | 111 |
| M413299P | 111 |
| M413301 | 111 |
| M413302 | 111 |
| 70205701P | 111 |

| | |
|-----------------------------------|-----|
| Steam Valve Kit | |
| F951P3 | 111 |
| Steam Valve Rebuild Kit | |
| M412259 | 111 |
| Stove Assembly | |
| M414795 | 89 |
| Stove Limit Harness Assembly | |
| M412609 | 89 |
| M413691 | 91 |
| Stove Limit Wire Harness Assembly | |
| M413499 | 91 |
| Street Elbow | |
| H86070034 | 97 |
| Support Bearing | |
| 70448701 | 49 |
| Switch | |
| M400947 | 15 |
| Switch Base | |
| M412528 | 37 |
| Switch Plate | |
| M413236 | 17 |

T

| | |
|--------------------------------|------------------------------|
| Tailpiece | |
| 44092201 | 75, 79, 81, 85, 89 |
| 44092202 | 75, 79, 81, 85, 89 |
| Temperature Control Thermostat | |
| M400780P | 29 |
| M406959P | 29 |
| Tension Plate Assembly | |
| M414405 | 47, 53 |
| Terminal Block | |
| M400685 | 109 |
| M405363 | 145 |
| M405364 | 121, 123, 125, 127, 129, 145 |
| M412042 | 109 |
| M412045P | 109, 141 |
| M412537 | 135, 137, 141 |
| M412538 | 139 |
| M412631 | 135, 137, 139, 141 |
| M412632 | 135, 137, 139, 141 |
| M413864 | 143 |
| 430642 | 121, 123, 125, 127, 129 |
| Terminal Block End | |
| M400681 | 109 |
| Terminal Strip | |
| M413542 | 121, 123, 125, 127, 129 |
| Thermistor | |
| M414704 | 39 |
| Thermistor Assembly | |
| D510523 | 39 |
| M413212P | 39 |
| Thermocouple | |
| M400934 | 75 |
| Thermodisc Bracket | |
| M400838 | 81, 85, 89 |
| Thermostat Bracket | |
| M401312 | 39 |
| M402798 | 75, 79 |
| M406882 | 85, 91 |
| Thermostat Cover | |
| M414477 | 85, 91, 95 |

N/A items do not appear in index.

| | |
|-------------------------------|-------------------------|
| Thermostat Harness | |
| M412920 | 85, 91, 99 |
| Thermostat Kit | |
| M4347P3 | 103 |
| Thimble Vane Assembly | |
| M400503 | 113 |
| M413382 | 113 |
| Timer | |
| M412079P | 13 |
| Timer Kit | |
| M410900P | 9 |
| M410901P | 9 |
| M410902P | 9 |
| M410903P | 9 |
| Timer Motor | |
| M400609 | 15 |
| M410789 | 15 |
| Timing Cam | |
| M400732P | 15 |
| M400733P | 15 |
| M400734P | 15 |
| M400735P | 15 |
| M400736P | 15 |
| M400737P | 15 |
| M400738P | 15 |
| M400739P | 15 |
| M400740P | 15 |
| M400741P | 15 |
| Toggle Switch | |
| M400945 | 9, 17 |
| Top Cover Panel | |
| M403385 | 33 |
| Top Front Access Panel | |
| M410801*P | 33 |
| M410802 | 33 |
| Top Front Panel | |
| M414350 | 33 |
| Top Front Panel Assembly | |
| M414349*P | 33 |
| Transformer | |
| M401391P | 29, 109, 117 |
| M402650P | 29 |
| M412412P | 139 |
| M412477P | 135, 137, 141 |
| M413100P | 99, 123 |
| M414228P | 121, 123, 125, 127, 129 |
| M414229P | 123, 129 |
| Transformer Harness Assembly | |
| M412641 | 131 |
| M412642 | 131 |
| M414028 | 119 |
| M414029 | 119 |
| M414076 | 119 |
| Transformer Kit | |
| M401199P | 29 |
| Trunnion and Bearing Assembly | |
| M4638P3 | 41 |
| M4639P3 | 41 |
| M4640P3 | 41 |
| M4641P3 | 41 |
| Trunnion Assembly | |
| M413833P | 41 |
| M413834P | 41 |
| M413836 | 41 |
| 44261801 | 41 |

| | |
|---------------------------|----|
| Trunnion Housing | |
| M413826 | 43 |
| Trunnion Housing Assembly | |
| M413832 | 43 |
| Tumbler Dolly Kit | |
| M4379P4 | 35 |

V

| | |
|-----------------------|--------|
| Valve Rebuild Kit | |
| F8379502 | 111 |
| Valve Repair Kit | |
| M400152 | 111 |
| M401384 | 111 |
| Valve Replacement Kit | |
| M4909P3 | 89, 93 |
| Vane | |
| M400253 | 73 |
| Vane Assembly | |
| M400541 | 73 |
| Vault Key | |
| M401701 | 31 |

W

| | |
|-----------------------|----------------------------|
| Warning Label | |
| D500316 | 115 |
| M410892 | 115 |
| Washer | |
| M400013 | 41, 45, 53, 57, 65, 67, 71 |
| M400014 | 45, 47, 51, 53, 57 |
| M400015 | 41, 43 |
| M400017 | 35 |
| M400080 | 45, 53, 57, 65, 67, 69, 71 |
| M400081 | 45, 47, 51 |
| M400606 | 75, 79, 81, 85 |
| M400675 | 7, 35 |
| M400991 | 57 |
| M401947 | 41 |
| M403958 | 47, 53 |
| M405535 | 49 |
| M412188 | 47, 53 |
| M412530 | 35 |
| 02834 | 69 |
| 03189 | 35 |
| 03815 | 35, 79, 81 |
| 20103 | 43 |
| Wire Harness Assembly | |
| M401909 | 73 |
| M403824 | 73, 75, 81, 85, 89 |
| M405372 | 9 |
| M410599 | 89 |
| Wire Lead | |
| M402597 | 79 |

N/A items do not appear in index.

