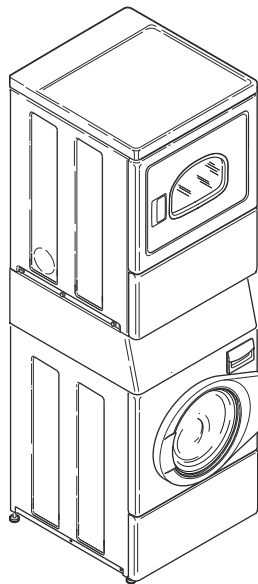


Homestyle Stack Washer/Dryers

Refer to Page 5 for Model Numbers



SWD456C_806105

Table of Contents

Title	Page
Parts Ordering Information.....	3
Serial Plate Location	3
Model Identification	5
Control Cabinet	6
Control Cabinet Line Filter (Drawing 1 of 2).....	8
Control Cabinet Line Filter (Drawing 2 of 2).....	10
Controls - Washers	12
Controls - Dryers.....	14
Overlay.....	16
Control Cabinet and Controls.....	18
Electrical Access Panel, Filters and Terminal Block	20
Door Assembly and Door Seal.....	22
Front Panel	24
Front Panel Assembly	26
Dispenser Assembly	28
Mixing Valve.....	30
Fill Hose.....	32
Outer Tub, Front and Clamp Ring (Drawing 1 of 2).....	34
Outer Tub, Front and Clamp Ring (Drawing 2 of 2).....	36
Inner Basket, Trunnion, Bearing Housing and Pulley	38
Motor and Belt (Drawing 1 of 2).....	40
Motor and Belt (Drawing 2 of 2).....	42
Drain Hose and Valve	44
Drain Hose and Pump (Drawing 1 of 2).....	46
Drain Hose and Pump (Drawing 2 of 2).....	48
Base, Side Panels and Rear Panel.....	50
Washer Junction Box	52
Special Tools	54
Washer Lead-In Cord, Wire Ties and Harness Clips	56
Dryer Door Without Window	58
Dryer Door With Window (Drawing 1 of 2).....	60
Dryer Door With Window (Drawing 2 of 2).....	62
Dryer Door With Window - Through Serial Nos. Beginning 1707	64
Dryer Door With Window - Starting Serial Nos. Beginning 1707	66
Access Panel, Front Panel and Seal (Drawing 1 of 5).....	68
Access Panel, Front Panel and Seal (Drawing 2 of 5).....	70
Access Panel, Front Panel and Seal (Drawing 3 of 5).....	72
Access Panel, Front Panel and Seal (Drawing 4 of 5).....	74
Access Panel, Front Panel and Seal (Drawing 5 of 5).....	76
Blower Housing and Shields (Drawing 1 of 2)	78
Blower Housing and Shields (Drawing 2 of 2)	80

© Copyright 2021, Alliance Laundry Systems LLC

All rights reserved. No part of the contents of this book may be reproduced or transmitted in any form or by any means without the expressed written consent of the publisher.

Motor, Exhaust Fan and Belt (Drawing 1 of 2).....	82
Motor, Exhaust Fan and Belt (Drawing 2 of 2).....	84
Idler Assembly	86
Front Bulkhead, Felt Seal and Cylinder	88
Cylinder Light (Drawing 1 of 2)	90
Cylinder Light (Drawing 2 of 2)	92
Air Duct (Drawing 1 of 3).....	94
Air Duct (Drawing 2 of 3).....	96
Air Duct (Drawing 3 of 3).....	98
Rear Bulkhead, Felt Seal, Cylinder Roller and Terminal Block.....	100
Heater Duct and Element Assembly	102
Heater Kit Assembly	104
Heater Duct Assembly	106
Gas Valve, Igniter and Gas Conversion Kits Through Serial No. 1908000001.....	108
Gas Valve, Igniter and Gas Conversion Kits Starting Serial No. 1908000001.....	110
Gas Valve Through Serial No. 1908000001	112
Gas Valve Starting Serial No. 1908000001	114
Burner Orifice Spuds - For Higher Elevations.....	116
Dryer Cabinet, Exhaust Duct and Base (Drawing 1 of 2).....	118
Dryer Cabinet, Exhaust Duct and Base (Drawing 2 of 2).....	120
Output Control Assembly Through Serial No. 1912999999	122
Output Control Assembly Starting Serial No. 2001000001	124
Ignition Control Module	126
Dryer Lead-In Cord	128
Dryer Junction Box (Drawing 1 of 3).....	130
Dryer Junction Box (Drawing 2 of 3).....	132
Dryer Junction Box (Drawing 3 of 3).....	134
Dryer Junction Box - Through Serial No. 1912999999 (Drawing 1 of 3).....	136
Dryer Junction Box - Through Serial No. 1912999999 (Drawing 2 of 3).....	138
Dryer Junction Box - Through Serial No. 1912999999 (Drawing 3 of 3).....	140
Dryer Lead-In Cord - Starting Serial No. 2001000001	142
Dryer Labels.....	144
Washer Labels	146
Shipping Materials	148
Miscellaneous Wire Harnesses and Wires.....	150
Dryer Wire Harnesses - Through Serial No. 1912999999	152
Dryer Wire Harnesses - Starting Serial No. 2001000001	154
Washer and Control Wire Harnesses	156
Parts Index.....	159

Parts Ordering Information

If literature or replacement parts are required, contact the source from whom the machine was purchased or contact Alliance Laundry Systems at (920) 748-3950 for the name and address of the nearest authorized parts distributor.

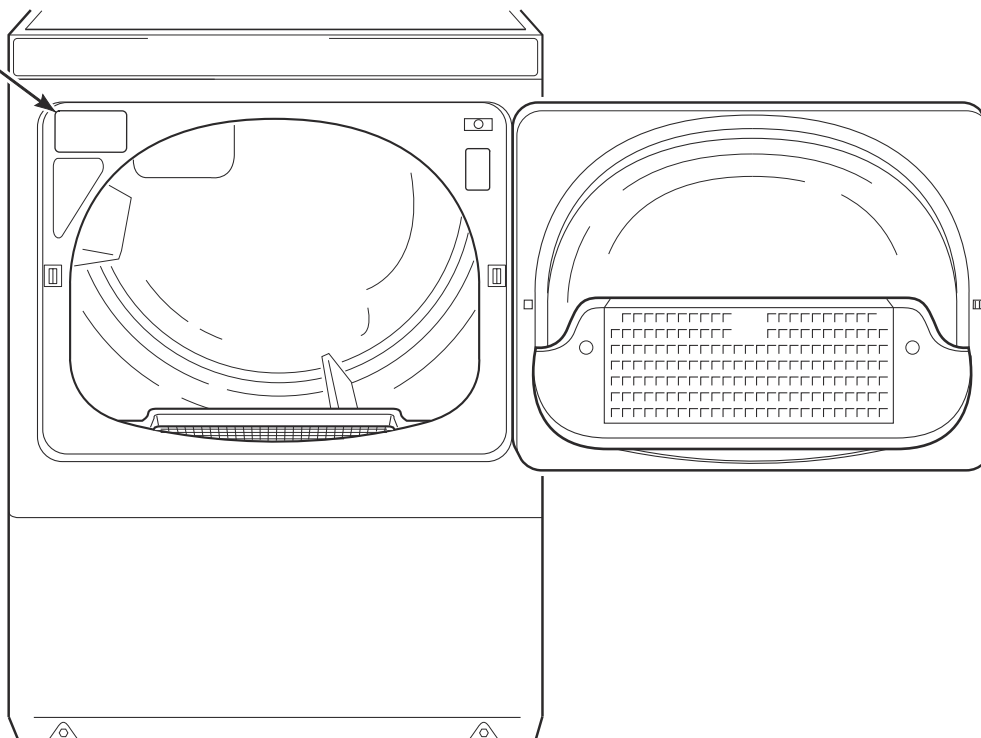
For technical assistance, call the number listed below:

(920) 748-3121 Ripon, Wisconsin

Serial Plate Location

When calling or writing about your product, be sure to mention model and serial numbers. Model and serial numbers are located on serial plate(s) as shown.

SERIAL PLATE



DRY2283P_806105

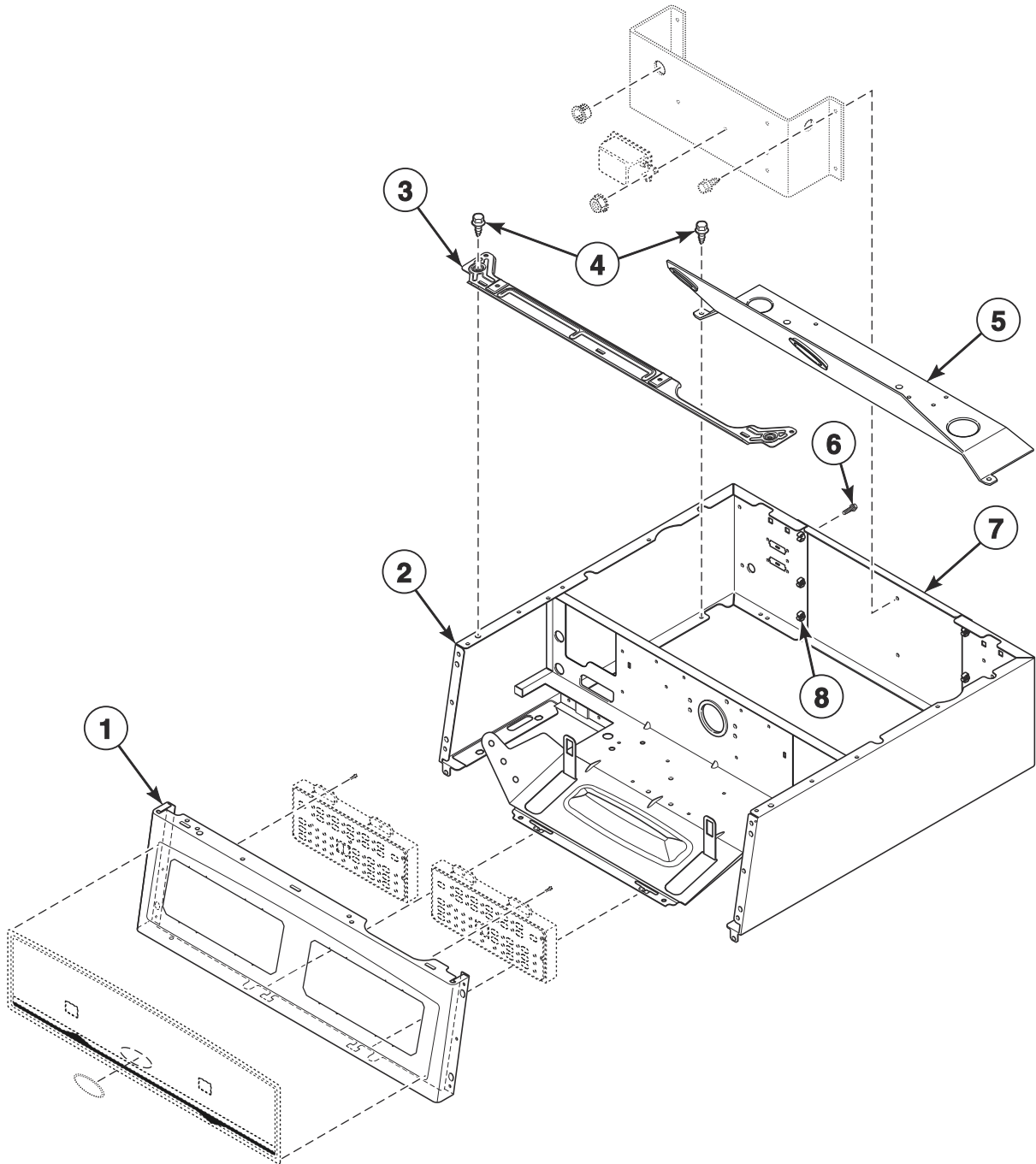
Model Identification

Information in this manual is applicable to these washer/dryer models:

ATEE9AGP435AW01	LTEA5FSP153TW01	PTEE3FSP173TG01
ATEE9ASG453NW36	LTEA5FSP153TW04	PTEE3FSP175TG01
ATEE9ASG455NW36	LTEA5FSP173TW01	PTEE3FSP175TW01
ATEE9ASP133DN04	LTEA5FSP173TW04	PTEE3FSP283CG01
ATEE9ASP133DW04	LTEE5AGP133ZW30	PTEE3FSP285CG01
ATEE9ASP283CW01	LTEE5ASP133FW01	PTEE3FSP433AG01
ATEE9ASP285CW01	LTEE5ASP135MW01	PTGE3FSP093CG01
ATEE9ASP285CW14	LTEE5ASP153TW01	PTGE3FSP095CG01
ATEE9ASP433XW34	LTEE5ASP155TW01	PTGE3FSP113TG01
ATEE9ASP453LW26	LTEE5ASP173TW01	PTGE3FSP115TG01
ATEE9ASP435XW34	LTEE5ASP175TW01	PTGE3FSP115TW01
ATEE9ASP455LN01	LTEE5ASP283CW01	PTGE3FSP303AG01
ATEE9ASP455LW01	LTEE5ASP285CW01	TTHE5ASP303NW36
ATEE9ASP543DN04	LTEE5ASP293CW01	TTPE5ASP303NW36
ATEE9ASP543DW04	LTEE5ASP295CW01	UTEE5ASP173TW01
ATEE9ASP545DW04	LTEE5ASP303WW01	UTEE5ASP173TW08
ATEE9ASP565XW01	LTEE5ASP303WW37	UTEE5ASP175TW01
ATEE9AWP433AW01	LTEE5ASP303ZW01	UTEE5ASP175TW08
ATEE9AWP435AW01	LTEE5ASP333NW01	UTEE5ASP283CW01
ATGE9AGP305AW01	LTEE5ASP433AW01	UTEE5ASP285CW01
ATGE9ASP093CW01	LTEE5ASP433AW12	UTGE5ASP113TW01
ATGE9ASP095CW01	LTEE5ASP453VW26	UTGE5ASP113TW08
ATGE9ASP095CW14	LTEE5ASP543NW01	UTGE5ASP115TW01
ATGE9ASP123DN04	LTEE5ASP543NW23	UTGE5ASP115TW08
ATGE9ASP123DW04	LTEE5ASP543RW01	YTEE5ASP133FW01
ATGE9ASP125DW04	LTEE5ASP553KW01	YTEE5ASP173TW01
ATGE9ASP303XW01	LTEE5FSP175TW01	YTEE5ASP175TW01
ATGE9ASP303XW26	LTEE5FSP275TW01	YTEE5ASP283CW01
ATGE9ASP305XW01	LTGA5FSP113TW01	YTEE5ASP285CW01
ATGE9ASP543DN04	LTGE5ASP093CW01	YTEE5ASP303NW10
ATGE9ASP543DW04	LTGE5ASP095CW01	YTGE5ASP093CW01
ATGE9ASP545DW04	LTGE5ASP113FW01	YTGE5ASP095CW01
ATGE9AWP303AW01	LTGE5ASP113JW01	YTGE5ASP113FW01
ATGE9AWP305AW01	LTGE5ASP113TW01	YTGE5ASP113TW01
ATHE9ASP453NW29	LTGE5ASP115TW01	YTGE5ASP115TW01
ATHE9ASP455NN29	LTGE5ASP125MW01	YTGE5ASP303NW21
ATHE9ASP455NW29	LTGE5ASP303AW01	ZTEE9ASP286CW01
ATLE9ASP305LW01	LTGE5ASP303AW12	ZTGE9ASP096CW01
BTEE6ASP173TW01	LTGE5FSP115TW01	ZTHE9ASP455NN29
BTEE6ASP283CW01	LTLE5ASP303LW01	ZTHE9ASP455NW29
BTGE6ASP093CW01	LTLE5ASP303NW35	
BTGE6ASP113TW01	LTLE5ASP543NW23	
FTEE5ASP303NW10	LTME5ASP543KW01	
FTEE5ASP303ZW01		
FTEE5ASP433LW01		
FTGE5ASP303NW10		

Control Cabinet

10 Degree Front Models



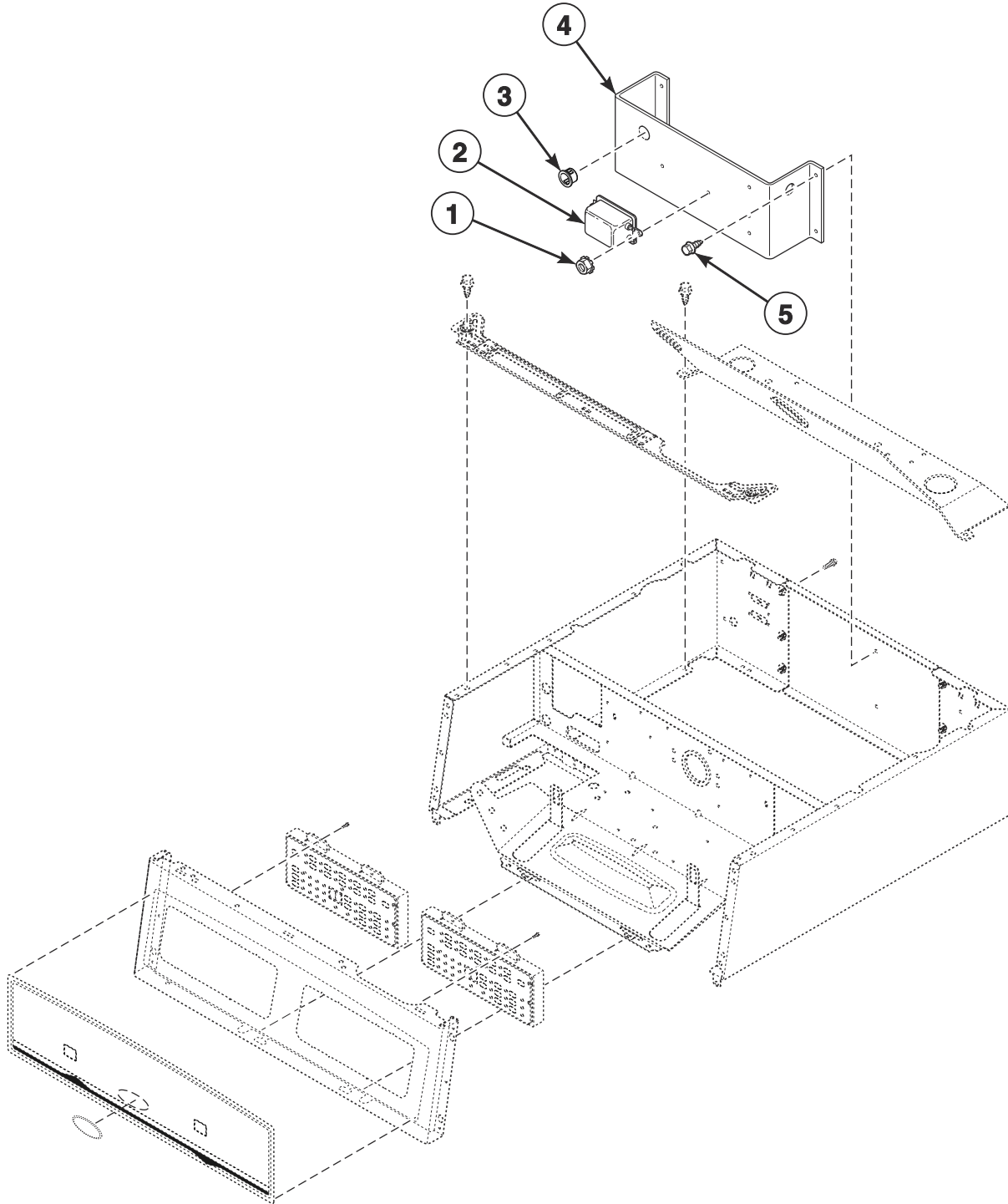
SWD1298P_806105

Control Cabinet

REF	PART NO.	DESCRIPTION	COMMENTS
1	803960WP	Control Panel	White
	803960B	Control Panel	Black
2	804112W	Wrapper Assembly	White
	804112B	Wrapper Assembly	Black
3	804018	Shield Bracket	
4	D503688	Screw	
5	804363	Control Shield	
6	70240301	Screw	
7	803998	Rear Access Panel	Through Serial No. 1912999999
	807646	Rear Access Panel	Starting Serial No. 2001000001
8	70030501	Expansion Clip	

Control Cabinet Line Filter (Drawing 1 of 2)

Models ATEE9ASG453NW36, ATEE9ASP133DN04, ATEE9ASP133DW04, ATEE9ASP433XW34, ATEE9ASP453LW26, ATEE9ASP543DN04, ATEE9ASP543DW04, ATEE9AWP433AW01, ATGE9ASP123DN04, ATGE9ASP123DW04, ATGE9ASP303XW01, ATGE9ASP303XW26, ATGE9ASP543DN04, ATGE9ASP543DW04, ATGE9AWP303AW01, FTEE5ASP303NW10, FTEE5ASP303ZW01, FTGE5ASP303NW10, LTEE5AGP133ZW30, LTEE5ASP133FW01, LTEE5ASP303WW01, LTEE5ASP303WW37, LTEE5ASP303ZW01, LTEE5ASP333NW01, LTEE5ASP433AW01, LTEE5ASP433AW12, LTEE5ASP453VW26, LTEE5ASP543NW01, LTEE5ASP543NW23, LTEE5ASP543RW01, LTGE5ASP113FW01, LTGE5ASP303AW01, LTGE5ASP303AW12, LTLE5ASP303NW35, LTLE5ASP543NW23, YTEE5ASP133FW01, YTEE5ASP303NW10 and YTEE5ASP113FW01 Through Serial Nos. beginning 1610



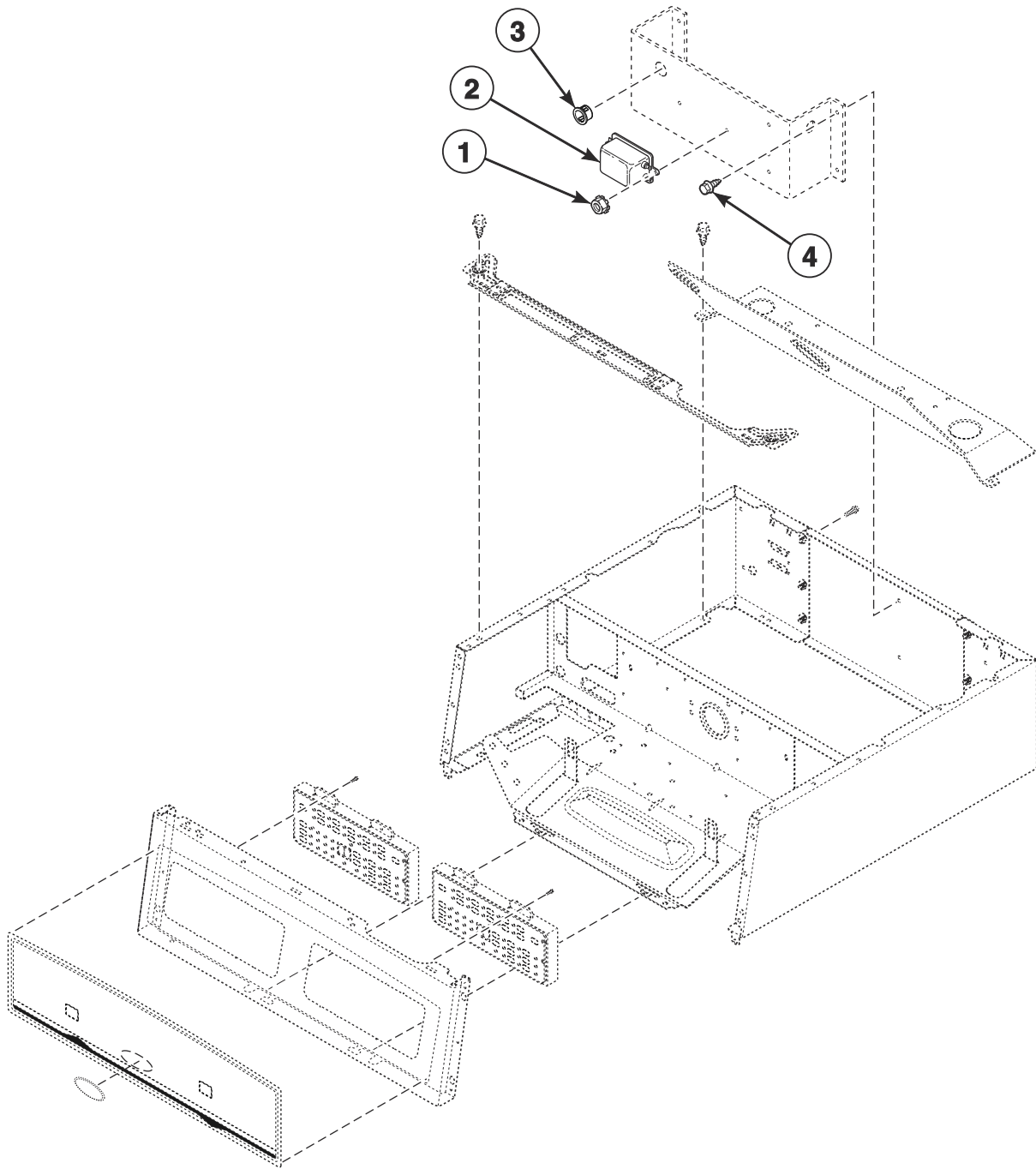
SWD1298PB_806105

Control Cabinet Line Filter (Drawing 1 of 2)

REF	PART NO.	DESCRIPTION	COMMENTS
	804396	Filter Harness	Filter to main harness; Model LTEE5AGP133ZW30
	804797	Filter Harness	Filter to main harness; All other models
1	29787	Nut	
2	805633	Line Filter	
3	M402542	Snap Bushing	
4	803988	Terminal Block Assembly	
5	D503661	Screw	

Control Cabinet Line Filter (Drawing 2 of 2)

Models LTEE5FSP275TW01



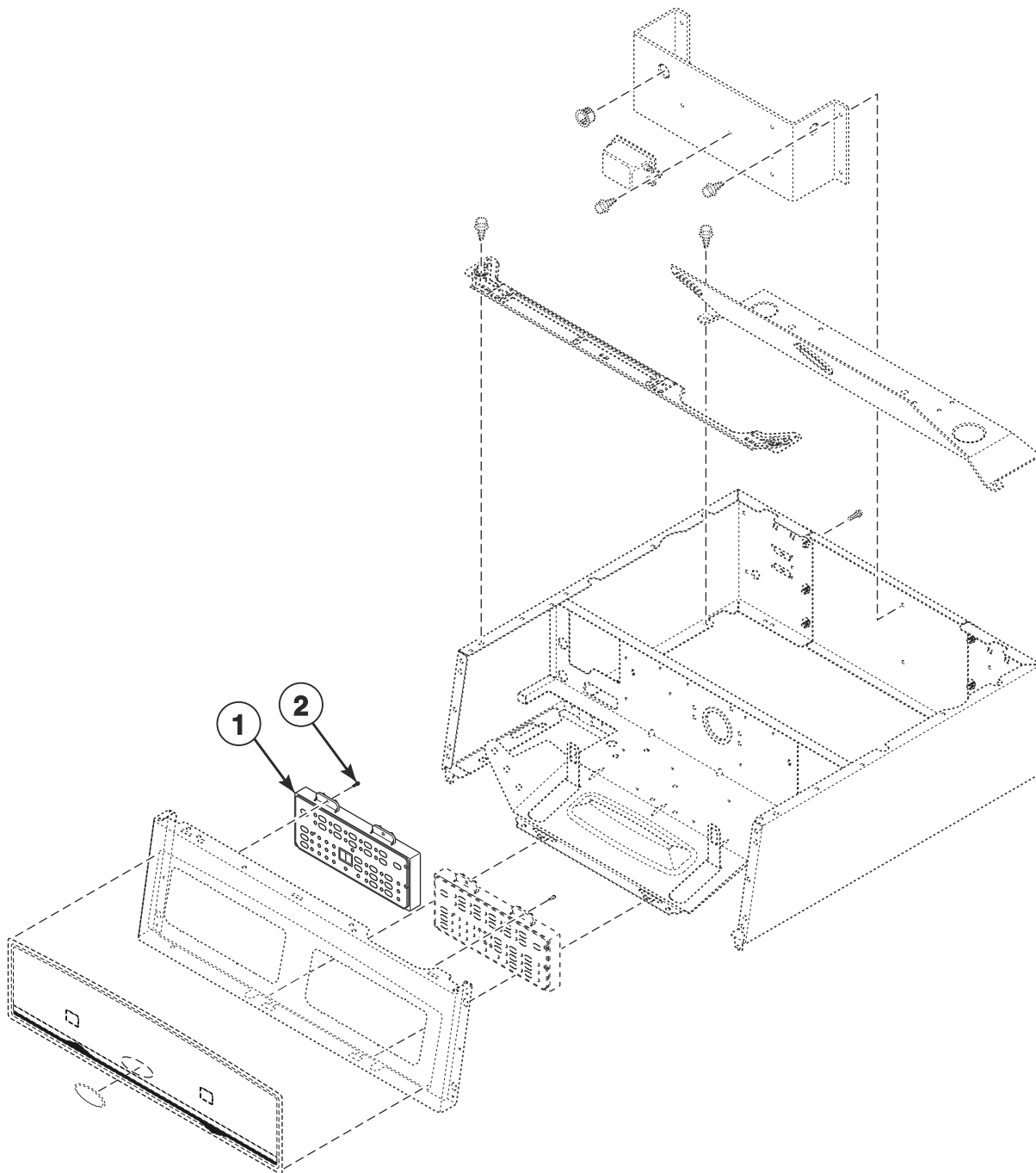
SWD1298PD_806105

Control Cabinet Line Filter (Drawing 2 of 2)

REF	PART NO.	DESCRIPTION	COMMENTS
	61203	Thermostat Opening Cover	
	202917	Power Jumper Harness	
	804797	Filter Harness	Filter to main harness
1	29787	Nut	
2	805633	Line Filter	
3	M402542	Snap Bushing	
4	D503661	Screw	

Controls - Washers

10 Degree Front Models



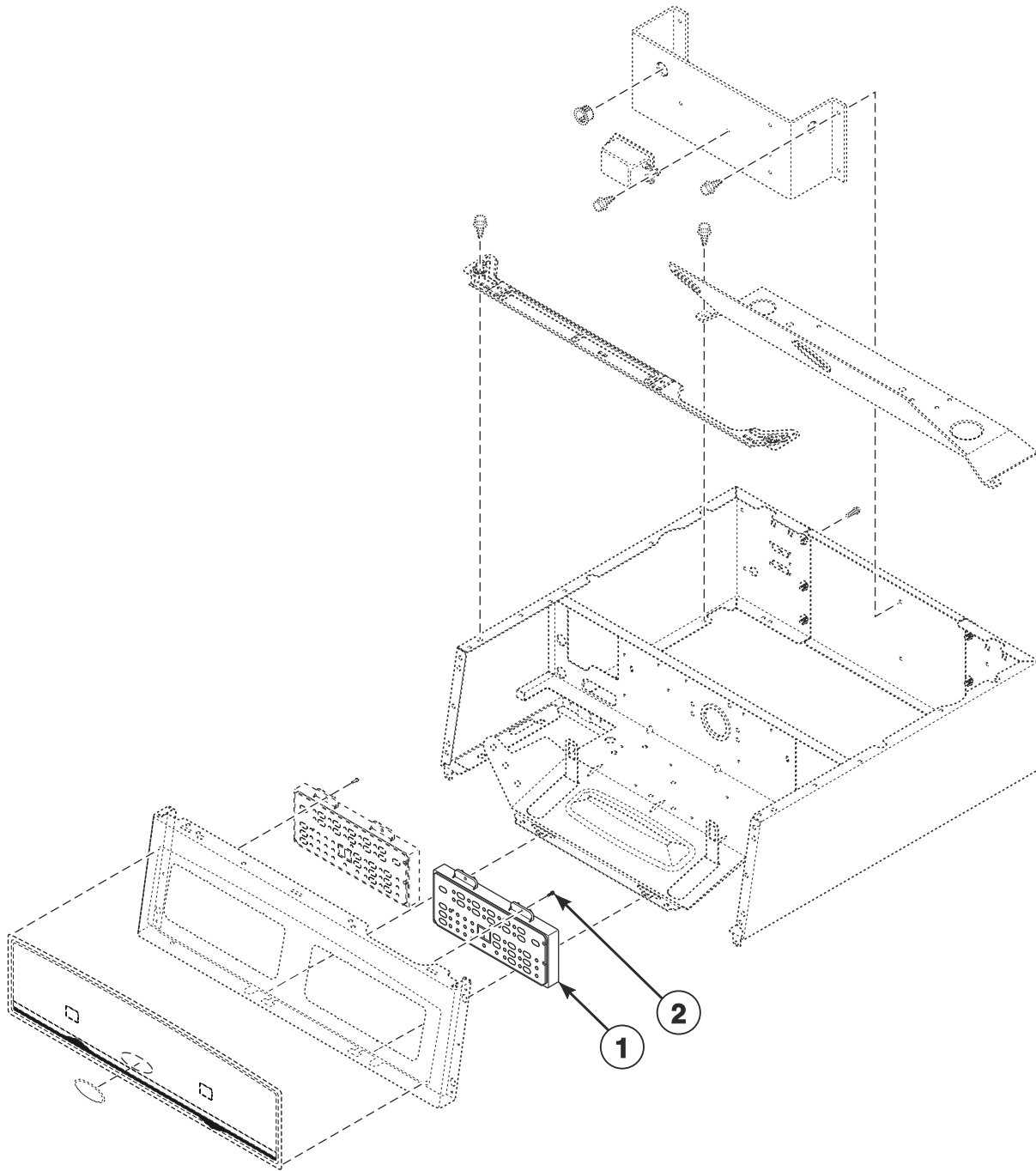
SWD1298PA_806105

Controls - Washers

REF	PART NO.	DESCRIPTION	COMMENTS
1	805236P	Control Assembly	Washer; Models ATEE9AGP435AW01, ATEE9AWP433AW01, ATEE9AWP435AW01, ATGE9AGP305AW01, ATGE9ASP303XW01, ATGE9ASP303XW26, ATGE9ASP305XW01, ATGE9AWP303AW01 and ATGE9AWP305AW01 through Serial No. 2012999999
	807519	Control Assembly	Washer; Models ATEE9AGP435AW01, ATEE9AWP433AW01, ATEE9AWP435AW01, ATGE9AGP305AW01, ATGE9ASP303XW01, ATGE9ASP303XW26, ATGE9ASP305XW01, ATGE9AWP303AW01 and ATGE9AWP305AW01 starting Serial No. 2101000001
	805218P	Control Assembly	Washer; Models BTEE6ASP173TW01, BTEE6ASP283CW01, BTGE6ASP093CW01 and BTGE6ASP113TW01
	805225P	Control Assembly	Models LTEE5ASP433AW01, LTEE5ASP433AW12, LTGE5ASP303AW01 and LTGE5ASP303AW12 through Serial No. 2012999999
	807518	Control Assembly	Models LTEE5ASP433AW01, LTEE5ASP433AW12, LTGE5ASP303AW01 and LTGE5ASP303AW12 starting Serial No. 2101000001
	805219P	Control Assembly	Washer; Models ATEE9ASG453NW36, ATEE9ASG455NW36, ATEE9ASP133DN04, ATEE9ASP133DW04, ATEE9ASP283CW01, ATEE9ASP285CW01, ATEE9ASP285CW14, ATEE9ASP433XW34, ATEE9ASP435XW34, ATEE9ASP453LW26, ATEE9ASP455LN01, ATEE9ASP455LW01, ATEE9ASP543DN04, ATEE9ASP543DW04, ATEE9ASP545DW04, ATEE9ASP565XW01, ATGE9ASP093CW01, ATGE9ASP095CW01, ATGE9ASP095CW14, ATGE9ASP123DN04, ATGE9ASP123DW04, ATGE9ASP125DW04, ATGE9ASP543DN04, ATGE9ASP543DW04, ATGE9ASP545DW04 and ATLE9ASP305LW01 through Serial No. 2012999999
	807517	Control Assembly	Washer; Models ATEE9ASG453NW36, ATEE9ASG455NW36, ATEE9ASP133DN04, ATEE9ASP133DW04, ATEE9ASP283CW01, ATEE9ASP285CW01, ATEE9ASP285CW14, ATEE9ASP433XW34, ATEE9ASP435XW34, ATEE9ASP453LW26, ATEE9ASP455LN01, ATEE9ASP455LW01, ATEE9ASP543DN04, ATEE9ASP543DW04, ATEE9ASP545DW04, ATEE9ASP565XW01, ATGE9ASP093CW01, ATGE9ASP095CW01, ATGE9ASP095CW14, ATGE9ASP123DN04, ATGE9ASP123DW04, ATGE9ASP125DW04, ATGE9ASP543DN04, ATGE9ASP543DW04, ATGE9ASP545DW04 and ATLE9ASP305LW01 starting Serial No. 2101000001
	806589	Control Assembly	Washer; Models ATHE9ASP453NW29, ATHE9ASP455NN29 and ZTHE9ASP455NN29 through Serial No. 2012999999
	807521	Control Assembly	Washer; Models ATHE9ASP453NW29, ATHE9ASP455NN29 and ZTHE9ASP455NN29 starting Serial No. 2101000001
	805217P	Control Assembly	Washer; All other models through Serial No. 2012999999
	807516	Control Assembly	Washer; All other models starting Serial No. 2101000001
2	804667	Screw	

Controls - Dryers

10 Degree Front Models



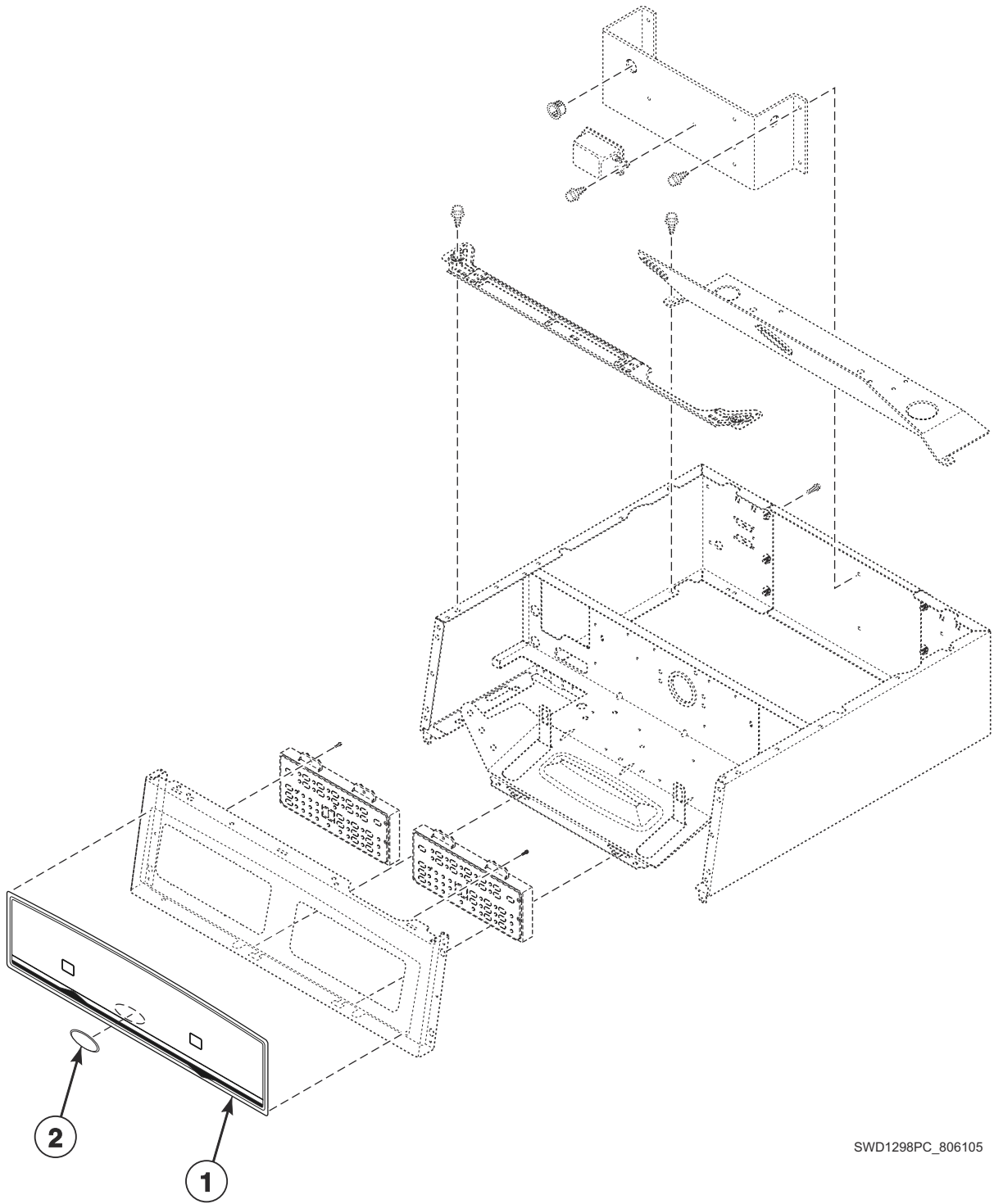
SWD1298PE_806105

Controls - Dryers

REF	PART NO.	DESCRIPTION	COMMENTS
1	D514567P	Control	Dryer; Models ATEE9AGP435AW01, ATEE9ASG453NW36, ATEE9ASG455NW36, ATEE9ASP133DN04, ATEE9ASP133DW04, ATEE9ASP283CW01, ATEE9ASP285CW01, ATEE9ASP285CW14, ATEE9ASP453LW26, ATEE9ASP455LN01, ATEE9ASP455LW01, ATEE9ASP543DN04, ATEE9ASP543DW04, ATEE9ASP545DW04, ATEE9ASP565XW01, ATEE9AWP433AW01, ATEE9AWP435AW01, ATGE9AGP305AW01, ATGE9ASP093CW01, ATGE9ASP095CW01, ATGE9ASP095CW14, ATGE9ASP123DN04, ATGE9ASP123DW04, ATGE9ASP125DW04, ATGE9ASP303XW01, ATGE9ASP303XW26, ATGE9ASP305XW01, ATGE9ASP543DN04, ATGE9ASP543DW04, ATGE9ASP545DW04, ATGE9AWP303AW01, ATGE9AWP305AW01, ATHE9ASP453NW29, ATHE9ASP455NN29, ATHE9ASP455NW29, ATLE9ASP305LW01, ZTHE9ASP455NN29 and ZTHE9ASP455NW29; Through Serial No. 1912999999
	D517585	Control Assembly	Dryer; Models ATEE9AGP435AW01, ATEE9ASG453NW36, ATEE9ASG455NW36, ATEE9ASP133DN04, ATEE9ASP133DW04, ATEE9ASP283CW01, ATEE9ASP285CW01, ATEE9ASP285CW14, ATEE9ASP453LW26, ATEE9ASP455LN01, ATEE9ASP455LW01, ATEE9ASP543DN04, ATEE9ASP543DW04, ATEE9ASP545DW04, ATEE9ASP565XW01, ATEE9AWP433AW01, ATEE9AWP435AW01, ATGE9AGP305AW01, ATGE9ASP093CW01, ATGE9ASP095CW01, ATGE9ASP095CW14, ATGE9ASP123DN04, ATGE9ASP123DW04, ATGE9ASP125DW04, ATGE9ASP303XW01, ATGE9ASP303XW26, ATGE9ASP305XW01, ATGE9ASP543DN04, ATGE9ASP543DW04, ATGE9ASP545DW04, ATGE9AWP303AW01, ATGE9AWP305AW01, ATHE9ASP453NW29, ATHE9ASP455NN29, ATHE9ASP455NW29, ATLE9ASP305LW01, ZTHE9ASP455NN29 and ZTHE9ASP455NW29; Starting Serial No. 2001000001
	D514566P	Control	Dryer; Models BTEE6ASP173TW01, BTEE6ASP283CW01, BTGE6ASP093CW01 and BTGE6ASP113TW01
	D514565P	Control Assembly	Dryer; All other models; Through Serial No. 1912999999
	D517584	Control Assembly	Dryer; All other models; Starting Serial No. 2001000001
2	804667	Screw	

Overlay

10 Degree Front Models



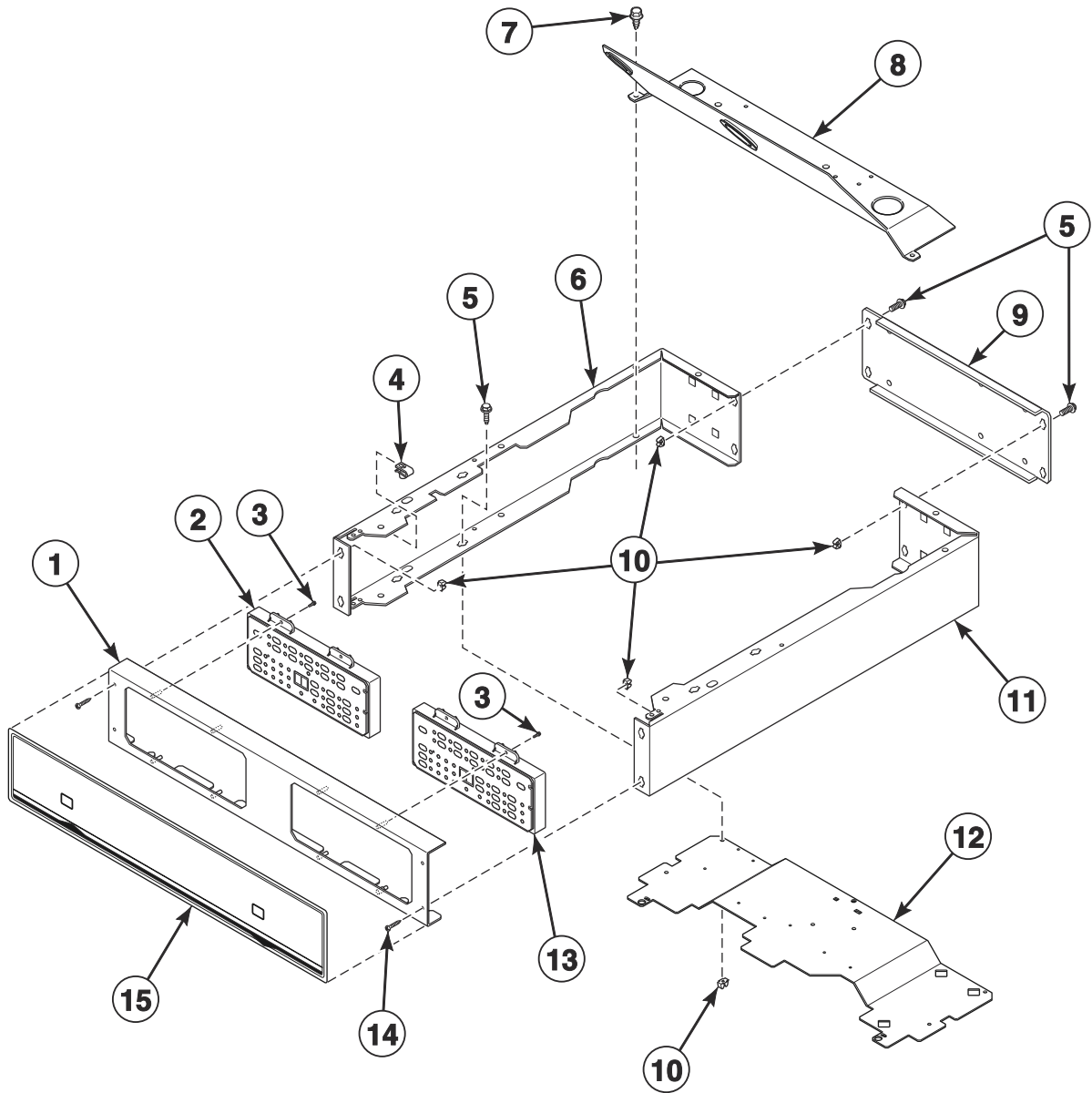
SWD1298PC_806105

Overlay

REF	PART NO.	DESCRIPTION	COMMENTS
1	804491	Control Overlay	Models ATEE9ASG453NW36, ATEE9ASP433XW34, ATEE9ASP453LW26, ATEE9AWP433AW01, ATGE9ASP303XW01, ATGE9ASP303XW26 and ATGE9AWP303AW01
	805651	Control Overlay	Models BTEE6ASP283CW01, BTGE6ASP093CW01, FTEE5ASP303ZW01, LTEE5ASP135MW01, LTEE5ASP293CW01, LTEE5ASP295CW01, LTEE5ASP303ZW01, LTEE5ASP333NW01, LTEE5ASP543NW01, LTGE5ASP113JW01, LTGE5ASP125MW01, UTEE5ASP283CW01, UTEE5ASP285CW01, YTEE5ASP283CW01, YTEE5ASP285CW01, YTGE5ASP093CW01 and YTGE5ASP095CW01
	806309	Control Overlay	Models ATEE9ASP133DN04, ATEE9ASP133DW04, ATEE9ASP543DN04, ATEE9ASP543DW04, ATGE9ASP123DN04, ATGE9ASP123DW04, ATGE9ASP543DN04 and ATGE9ASP543DW04
	804734	Control Overlay	Models ATEE9ASP283CW01 and ATGE9ASP093CW01
	806446	Control Overlay	Model ATHE9ASP453NW29
	806807	Control Overlay	Models LTEE5ASP553KW01 and LTME5ASP543KW01
	806745	Control Overlay	Models ATHE9ASP455NN29 and ATHE9ASP455NW29
	806701	Control Overlay	Models ATEE9AGP435AW01, ATEE9ASG455NW36, ATEE9ASP285CW01, ATEE9ASP435XW34, ATEE9ASP455LN01, ATEE9ASP455LW01, ATEE9ASP565XW01, ATEE9AWP435AW01, ATGE9AGP305AW01, ATGE9ASP095CW01, ATGE9ASP305XW01, ATGE9AWP305AW01 and ATLE9ASP305LW01
	806309	Control Overlay	Models ATEE9ASP285CW14 and ATGE9ASP095CW14
	807189	Control Overlay	Models ATEE9ASP545DW04, ATGE9ASP125DW04 and ATGE9ASP545DW04
	807466	Control Overlay	Model YTGE5ASP303NW21
	807654	Control Overlay	Models ZTEE9ASP286CW01 and ZTGE9ASP096CW01
	807708	Control Overlay	Models ZTHE9ASP455NN29 and ZTHE9ASP455NW29
	805650	Control Overlay	All other models
2	804969	Label	Models ATLE9ASP305LW01, FTEE5ASP433LW01, LTEE5AGP133ZW30, LTEE5ASP133FW01, LTEE5ASP135MW01, LTEE5ASP153TW01, LTEE5ASP155TW01, LTEE5ASP173TW01, LTEE5ASP175TW01, LTEE5ASP283CW01, LTEE5ASP285CW01, LTEE5ASP293CW01, LTEE5ASP295CW01, LTEE5ASP303WW01, LTEE5ASP303WW37, LTEE5ASP303ZW01, LTEE5ASP333NW01, LTEE5ASP433AW01, LTEE5ASP433AW12, LTEE5ASP453VW26, LTEE5ASP543NW01, LTEE5ASP543NW23, LTEE5ASP543RW01, LTEE5ASP553KW01, LTGE5ASP093CW01, LTGE5ASP095CW01, LTGE5ASP113JW01, LTGE5ASP113TW01, LTGE5ASP115TW01, LTGE5ASP125MW01, LTGE5ASP303AW01, LTGE5ASP303AW12, LTLE5ASP303LW01, LTLE5ASP303NW35, LTLE5ASP543NW23, LTME5ASP543KW01 and YTGE5ASP303NW21
	804970	Domed Label	Models YTEE5ASP133FW01, YTEE5ASP173TW01, YTEE5ASP175TW01, YTEE5ASP283CW01, YTEE5ASP285CW01, YTEE5ASP303NW10, YTGE5ASP093CW01, YTGE5ASP095CW01, YTGE5ASP113FW01, YTGE5ASP113TW01 and YTGE5ASP115TW01
	800923	Domed Label	Models UTEE5ASP173TW01, UTEE5ASP173TW08, UTEE5ASP175TW01, UTEE5ASP175TW08, UTEE5ASP283CW01, UTEE5ASP285CW01, UTGE5ASP113TW01, UTGE5ASP113TW08, UTGE5ASP115TW01 and UTGE5ASP115TW08
	203173	Domed Label	Models BTEE6ASP173TW01, BTEE6ASP283CW01, BTGE6ASP093CW01 and BTGE6ASP113TW01
	805914	Label	Domed; Models TTHE5ASP303NW36 and TTPE5ASP303NW36

Control Cabinet and Controls

Flat Front Models



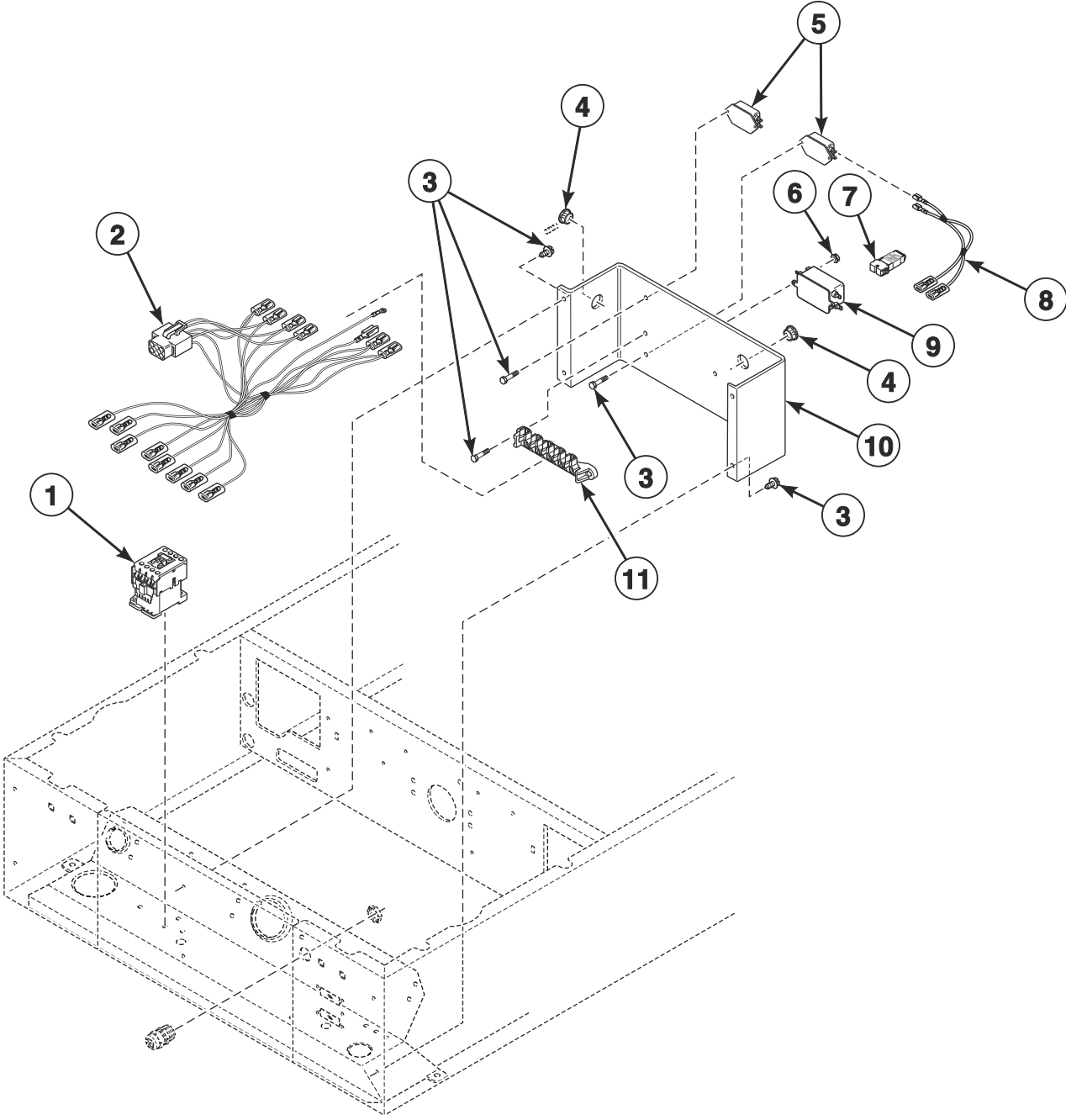
SWD1296P_806105

Control Cabinet and Controls

REF	PART NO.	DESCRIPTION	COMMENTS
1	806586W	Control Panel	White
	806135DG	Control Panel	Gray
2	805217P	Control Assembly	Washer; Models LTEA5FSP153TW01, LTEA5FSP153TW04, LTEA5FSP173TW01, LTEA5FSP173TW04, LTEE5FSP175TW01, LTEE5FSP275TW01, LTGA5FSP113TW01 and LTGE5FSP115TW01
	806259P	Control Assembly	Washer; Models PTEE3FSP173TG01, PTEE3FSP175TG01, PTEE3FSP175TW01, PTEE3FSP283CG01, PTEE3FSP285CG01, PTEE3FSP433AG01, PTGE3FSP093CG01, PTGE3FSP095CG01, PTGE3FSP113TG01, PTGE3FSP115TG01, PTGE3FSP115TW01 and PTGE3FSP303AG01
3	804667	Screw	
4	800931	Nut	
5	430497	Screw	
6	804640W	Control Cabinet	Left; White
	804640DG	Control Cabinet	Left; Gray
7	D503688	Screw	
8	804363	Control Shield	
9	804859	Rear Control Cabinet	
10	70030501	Expansion Clip	
11	804639W	Control Cabinet	Right; White
	804639DG	Control Cabinet	Right; Gray
12	804642	Control Cabinet Base	
13	D515430P	Control Assembly	Dryer; Models LTEA5FSP153TW01, LTEA5FSP153TW04, LTEA5FSP173TW01, LTEA5FSP173TW04 and LTGA5FSP113TW01
	D515798P	Control	Dryer; Models PTEE3FSP173TG01, PTEE3FSP175TG01, PTEE3FSP175TW01, PTEE3FSP283CG01, PTEE3FSP285CG01, PTEE3FSP433AG01, PTGE3FSP093CG01, PTGE3FSP095CG01, PTGE3FSP113TG01, PTGE3FSP115TG01, PTGE3FSP115TW01 and PTGE3FSP303AG01
	D514565P	Control Assembly	Dryer; Models LTEE5FSP175TW01, LTEE5FSP275TW01 and LTGE5FSP115TW01
14	800930	Screw	
15	806121	Overlay	Models LTEA5FSP153TW01, LTEA5FSP153TW04, LTEA5FSP173TW01, LTEA5FSP173TW04 and LTGA5FSP113TW01
	806193	Overlay	Models PTEE3FSP173TG01, PTEE3FSP175TG01, PTEE3FSP175TW01, PTEE3FSP283CG01, PTEE3FSP285CG01, PTEE3FSP433AG01, PTGE3FSP093CG01, PTGE3FSP095CG01, PTGE3FSP113TG01, PTGE3FSP115TG01, PTGE3FSP115TW01 and PTGE3FSP303AG01
	806060	Overlay	Models LTEE5FSP175TW01, LTEE5FSP275TW01 and LTGE5FSP115TW01

Electrical Access Panel, Filters and Terminal Block

Models ATHE9ASP453NW29, ATHE9ASP455NN29, ATHE9ASP455NW29, TTHE5ASP303NW36, TTPE5ASP303NW36, ZTHE9ASP455NN29 and ZTHE9ASP455NW29

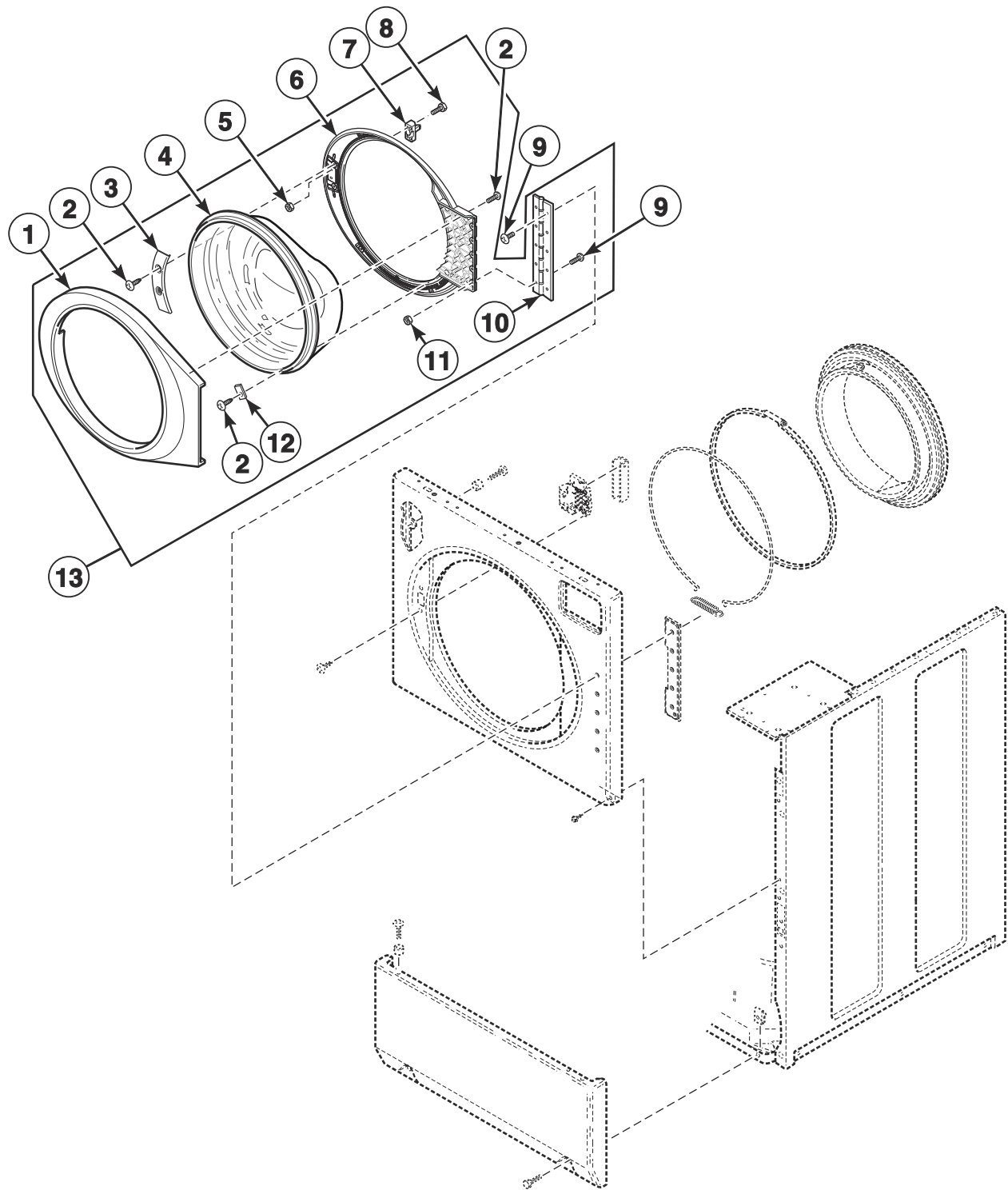


FLW1747P_806105

Electrical Access Panel, Filters and Terminal Block

REF	PART NO.	DESCRIPTION	COMMENTS
	804737	Terminal Block Harness	
	805356	Heater Contactor Drip Shield	
	805344	Terminal Block Drip Shield	
1	806428	Contactor	Through Serial No. 2012999999
	807472	Contactor	Starting Serial No. 2101000001
2	806431	Heat Contactor Harness	Through Serial No. 2012999999
	807474	Heat Contactor Harness	Starting Serial No. 2101000001
3	D503661	Screw	
4	M402542	Snap Bushing	
5	805634	Filter	
6	29787	Nut	
7	804651	Network Varistor Assembly	
8	804797	Filter Harness	Filter to main harness
9	805633	Line Filter	
10	803988	Terminal Block Assembly	
11	D505876	Terminal Block Assembly	

Door Assembly and Door Seal

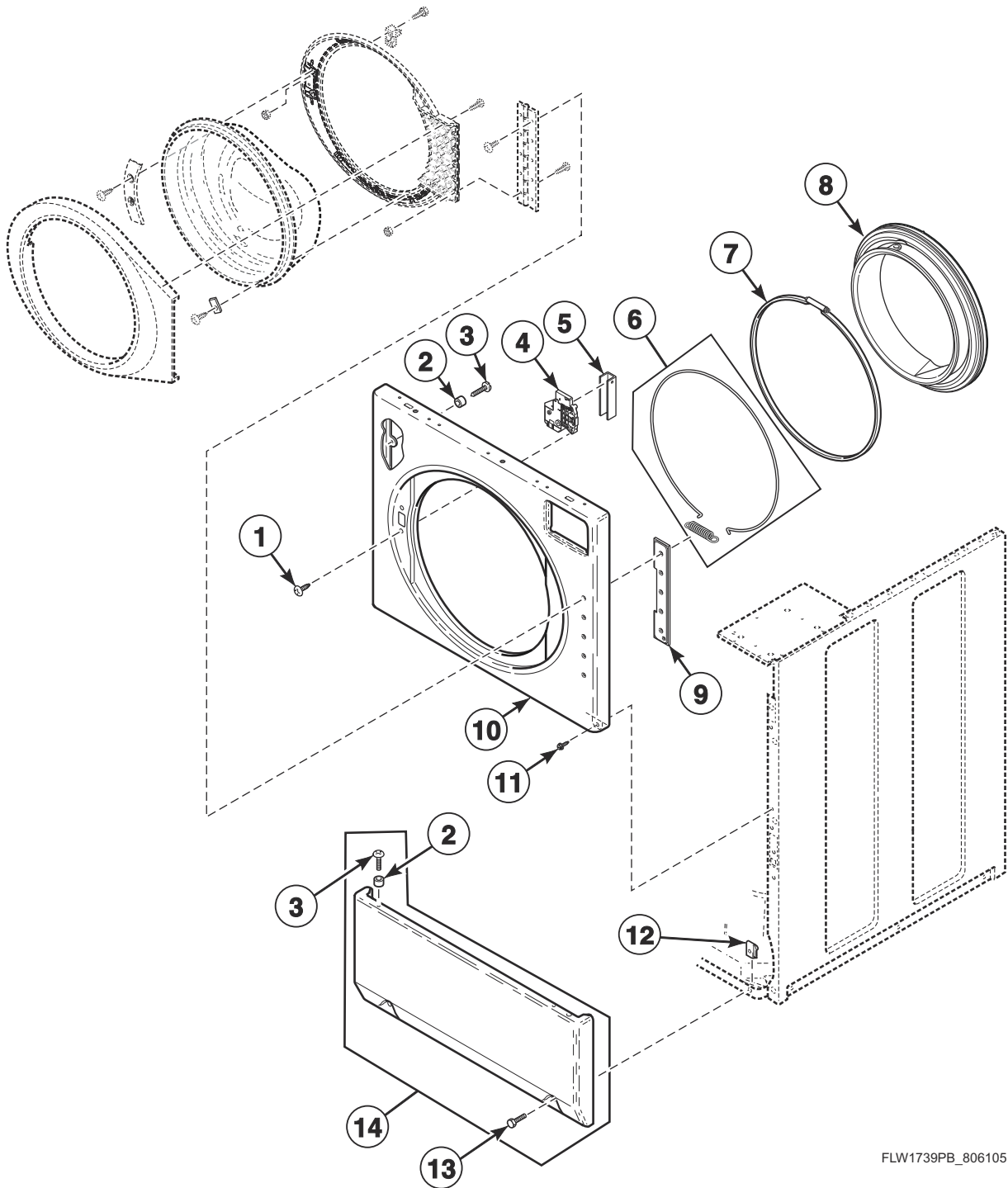


FLW1739P_806105

Door Assembly and Door Seal

REF	PART NO.	DESCRIPTION	COMMENTS
1	808094	Outer Door Bezel	White
	808092	Outer Door Bezel	Black
	808091	Outer Door Bezel	Gray
2	800548	Screw	
3	804239	Door Glass Mounting Plate	
4	802695P	Door Glass	
5	685846	Nut	
6	808095	Inner Door Bezel Kit	White
	808096	Inner Door Bezel Kit	Gray
	808097	Inner Door Bezel	Glass-filled polypropylene upgrade
7	802803	Door Catch Assembly	
8	801993	Screw	
9	801019	Screw	
10	802934	Door Hinge	
11	23951	Nut	
12	802700	Glass Mounting Clip	7 required
13	804083WP	Door Assembly	White; Includes items 1-12
	804210P	Door Assembly	Gray; Includes items 1-12
	805550	Door Assembly	Black; Includes items 1-12

Front Panel



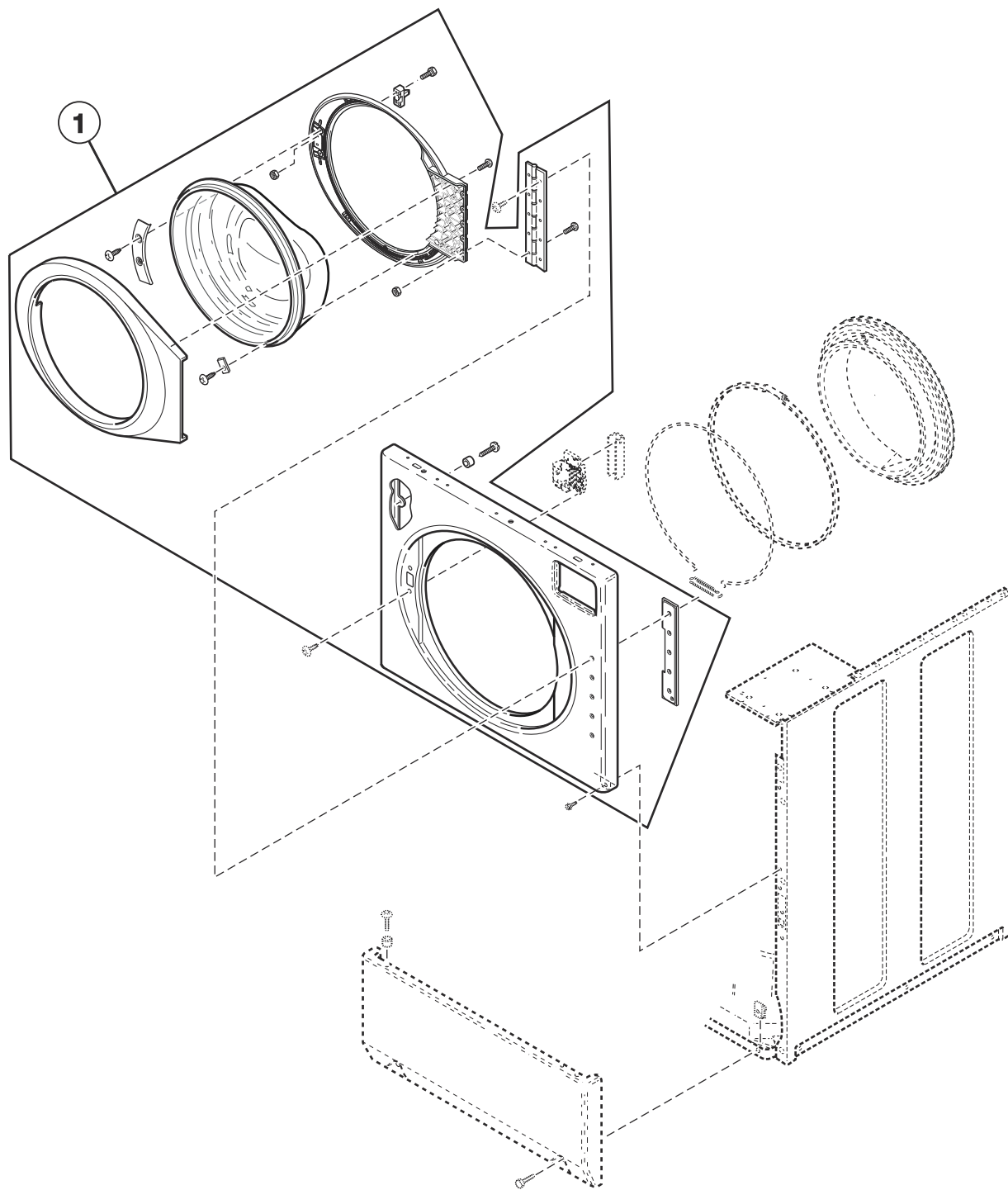
FLW1739PB_806105

Front Panel

REF	PART NO.	DESCRIPTION	COMMENTS
1	800548	Screw	
2	56079	Panel Locator	
3	39733	Screw	Use with painted panels
	806276	Screw	Use with stainless steel panels
4	803920	Door Latch Assembly	
5	804784	Door Lock Drip Shield	Models ATEE9AGP435AW01, ATEE9ASP133DN04, ATEE9ASP133DW04, ATEE9ASP433XW34, ATEE9ASP435XW34, ATEE9ASP453LW26, ATEE9ASP455LN01, ATEE9ASP455LW01, ATEE9ASP543DN04, ATEE9ASP543DW04, ATEE9ASP545DW04, ATEE9ASP565XW01, ATEE9AWP433AW01, ATEE9AWP435AW01, ATGE9AGP305AW01, ATGE9ASP123DN04, ATGE9ASP123DW04, ATGE9ASP125DW04, ATGE9ASP303XW01, ATGE9ASP303XW26, ATGE9ASP305XW01, ATGE9ASP543DN04, ATGE9ASP543DW04, ATGE9ASP545DW04, ATGE9AWP303AW01, ATGE9AWP305AW01, ATHE9ASP453NW29, ATHE9ASP455NN29, ATHE9ASP455NW29, ATLE9ASP305LW01, FTEE5ASP303NW10, FTEE5ASP303ZW01, FTEE5ASP433LW01, LTEE5AGP133ZW30, LTEE5ASP133FW01, LTEE5ASP135MW01, LTEE5ASP303WW01, LTEE5ASP303WW37, LTEE5ASP303ZW01, LTEE5ASP433AW01, LTEE5ASP433AW12, LTEE5ASP453VW26, LTEE5ASP543NW23, LTEE5ASP543RW01, LTEE5ASP553KW01, LTGE5ASP113FW01, LTGE5ASP113JW01, LTGE5ASP125MW01, LTGE5ASP303AW01, LTGE5ASP303AW12, LTLE5ASP303LW01, LTME5ASP543KW01, PTEE3FSP433AG01, PTGE3FSP303AG01, YTEE5ASP133FW01, YTEE5ASP303NW10, YTGE5ASP113FW01, ZTHE9ASP455NN29 and ZTHE9ASP455NW29
6	806466	Wire Ring and Spring	
7	802281	Hose Clamp	Seal to outer tub front
8	804428P	Door Seal	Black
	804429P	Door Seal Assembly	Gray
9	802206	Hinge Plate	
10	802277WP	Front Panel	White
	802277DG	Front Panel	Gray
	802288P	Front Panel	Stainless steel
11	D503661	Screw	
12	36020	Nut	
13	801045	Screw	Use with painted panels
	D512921	Screw	Use with stainless steel panels
14	D514250WP	Access Panel Assembly	White
	D514250DG	Access Panel Assembly	Gray
	806528	Access Panel Assembly	Stainless steel; Model ATEE9ASP455LN01
	D514251	Access Panel Assembly	Stainless steel; All other models

Front Panel Assembly

Models BTEE6ASP173TW01, BTGE6ASP113TW01, LTEA5FSP153TW01, LTEA5FSP153TW04, LTEA5FSP173TW01, LTEA5FSP173TW04, LTEE5ASP135MW01, LTEE5ASP153TW01, LTEE5ASP155TW01, LTEE5ASP173TW01, LTEE5ASP175TW01, LTEE5FSP175TW01, LTEE5FSP275TW01, LTGA5FSP113TW01, LTGE5ASP113TW01, LTGE5ASP115TW01, LTGE5ASP125MW01, LTGE5FSP115TW01, PTEE3FSP173TG01, PTEE3FSP175TG01, PTEE3FSP175TW01, PTGE3FSP113TG01, PTGE3FSP115TG01, PTGE3FSP115TW01, UTEE5ASP173TW01, UTEE5ASP173TW08, UTEE5ASP175TW01, UTEE5ASP175TW08, UTGE5ASP113TW01, UTGE5ASP113TW08, UTGE5ASP115TW01, UTGE5ASP115TW08, YTEE5ASP173TW01, YTEE5ASP175TW01, YTGE5ASP113TW01 and YTGE5ASP115TW01

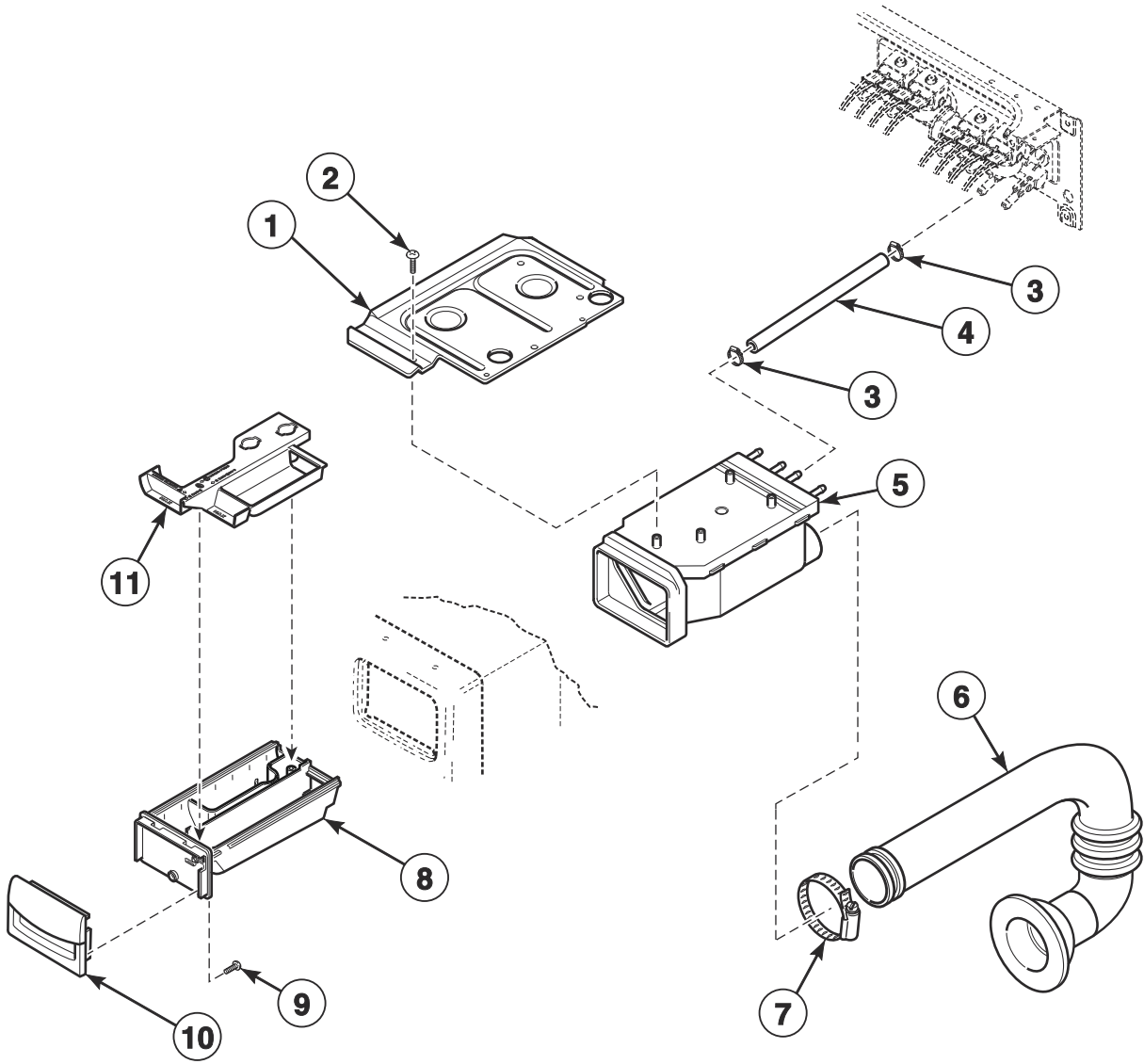


FLW1739PA_806105

Front Panel Assembly

REF	PART NO.	DESCRIPTION	COMMENTS
1	806505W	Front Panel Assembly Kit	White
	806560	Front Panel Assembly Kit	Stainless steel

Dispenser Assembly

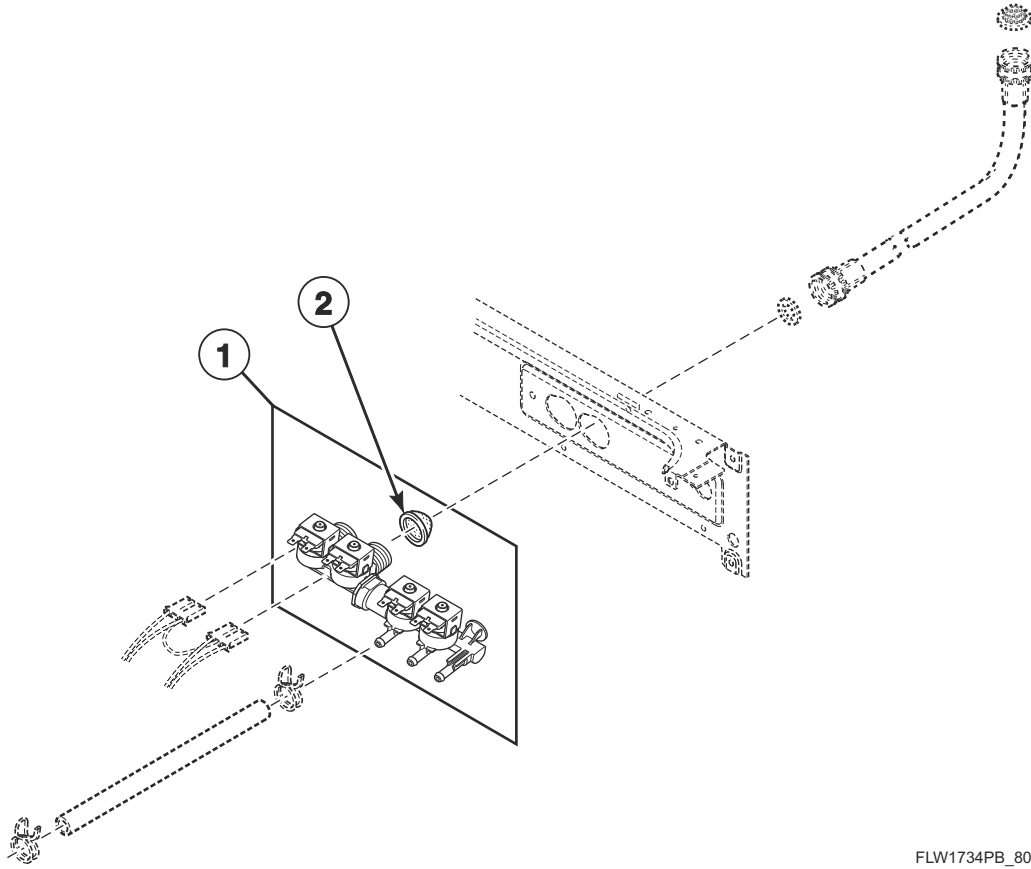


FLW1717P_806105

Dispenser Assembly

REF	PART NO.	DESCRIPTION	COMMENTS
	804875	Foam Pad	
	805938	Chemical Injection Conversion Kit	Includes 110 Volt/24 Volt transformer; Through Serial No. 2012999999
	808076	Chemical Injection Conversion Kit	Includes 110 Volt/24 Volt transformer; Starting Serial No. 2101000001
	805939	Chemical Injection Conversion Kit	Includes 220 Volt/24 Volt transformer; Through Serial No. 2012999999
	808077	Chemical Injection Conversion Kit	Includes 220 Volt/24 Volt transformer; Starting Serial No. 2101000001
1	803843	Dispenser Plate	
2	801001	Screw	
3	807386	Hose Clamp	
4	807364	Dispenser Inlet Hose	Models LTEE5ASP433AW01, LTEE5ASP433AW12, LTGE5ASP303AW01, LTGE5ASP303AW12, PTEE3FSP433AG01 and PTGE3FSP303AG01 starting Serial No.1810000001 and continuing through Serial No. 1905000001; All other models starting Serial No.1810000001
	806718	Dispenser Inlet Hose	Models LTEE5ASP433AW01, LTEE5ASP433AW12, LTGE5ASP303AW01, LTGE5ASP303AW12, PTEE3FSP433AG01 and PTGE3FSP303AG01 starting Serial No.1905000001
	803849	Dispenser Inlet Hose	Through Serial No.1810000001
5	803698	Dispenser Assembly	
6	804717	Detergent Hose	
7	685725	Hose Clamp	
8	803667	Dispenser Drawer	
9	800548	Screw	
10	804227WP	Dispenser Handle	White
	804227B	Dispenser Handle	Black
	804228	Dispenser Handle	Gray
11	803669	Compartment Cover	

Mixing Valve

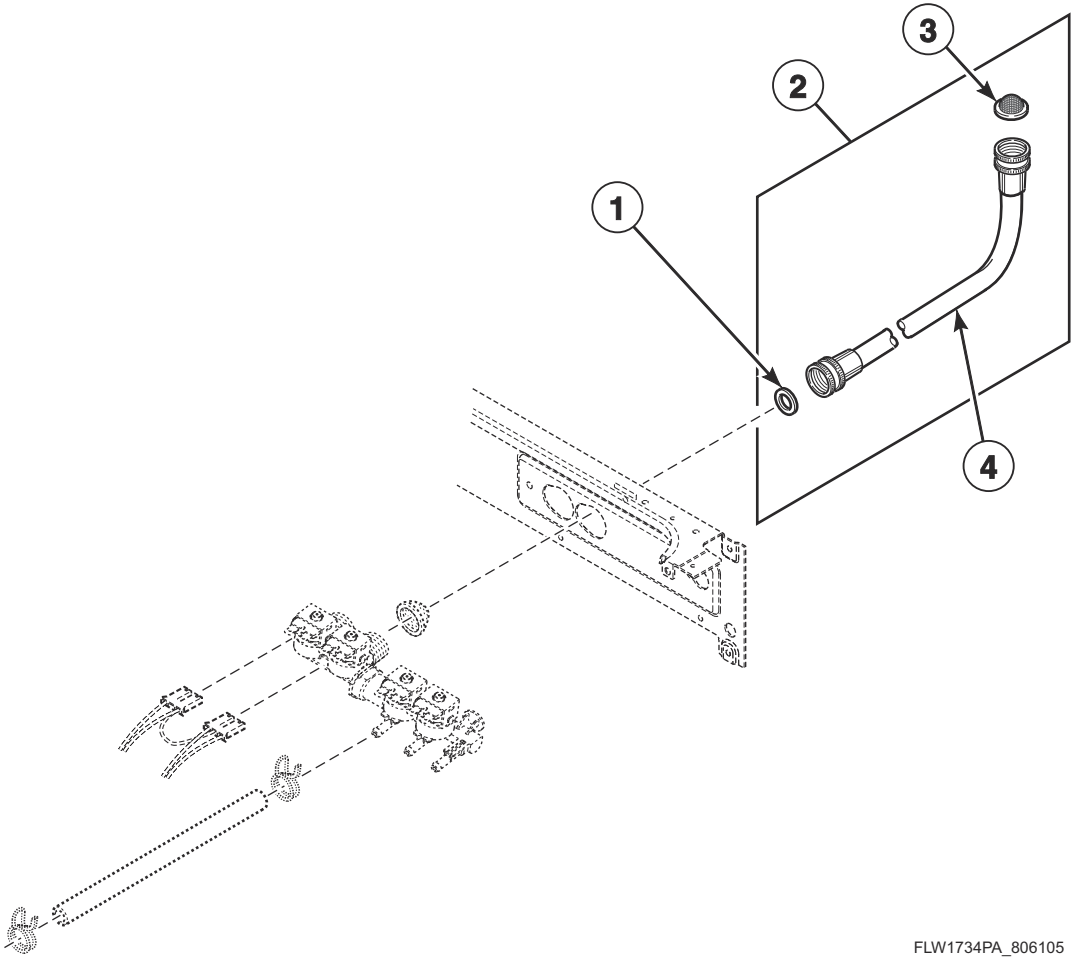


FLW1734PB_806105

Mixing Valve

REF	PART NO.	DESCRIPTION	COMMENTS
1	806510P	Mixing Valve	Models ATEE9AGP435AW01, ATEE9ASG453NW36, ATEE9ASG455NW36, ATEE9ASP433XW34, ATEE9ASP435XW34, ATEE9ASP453LW26, ATEE9ASP455LN01, ATEE9ASP455LW01, ATEE9ASP543DN04, ATEE9ASP543DW04, ATEE9ASP545DW04, ATEE9ASP565XW01, ATEE9AWP433AW01, ATEE9AWP435AW01, ATGE9AGP305AW01, ATGE9ASP303XW01, ATGE9ASP303XW26, ATGE9ASP305XW01, ATGE9ASP543DN04, ATGE9ASP543DW04, ATGE9ASP545DW04, ATGE9AWP303AW01, ATGE9AWP305AW01, ATHE9ASP453NW29, ATHE9ASP455NN29, ATHE9ASP455NW29, ATLE9ASP305LW01, FTEE5ASP303NW10, FTEE5ASP303ZW01, FTEE5ASP433LW01, FTGE5ASP303NW10, LTEE5ASP303WW01, LTEE5ASP303WW37, LTEE5ASP303ZW01, LTEE5ASP333NW01, LTEE5ASP433AW01, LTEE5ASP433AW12, LTEE5ASP453VW26, LTEE5ASP543NW01, LTEE5ASP543NW23, LTEE5ASP543RW01, LTEE5ASP553KW01, LTGE5ASP303AW01, LTGE5ASP303AW12, LTLE5ASP303LW01, LTLE5ASP303NW35, LTLE5ASP543NW23, LTME5ASP543KW01, PTEE3FSP433AG01, PTGE3FSP303AG01, TTHE5ASP303NW36, TTPE5ASP303NW36, YTEE5ASP303NW10, YTGE5ASP303NW21, ZTHE9ASP455NN29 and ZTHE9ASP455NW29 through Serial No. 1810000001; GHT connection
	807497P	Mixing Valve	Models ATEE9AGP435AW01, ATEE9ASG453NW36, ATEE9ASG455NW36, ATEE9ASP433XW34, ATEE9ASP435XW34, ATEE9ASP453LW26, ATEE9ASP455LN01, ATEE9ASP455LW01, ATEE9ASP543DN04, ATEE9ASP543DW04, ATEE9ASP545DW04, ATEE9ASP565XW01, ATEE9AWP433AW01, ATEE9AWP435AW01, ATGE9AGP305AW01, ATGE9ASP303XW01, ATGE9ASP303XW26, ATGE9ASP305XW01, ATGE9ASP543DN04, ATGE9ASP543DW04, ATGE9ASP545DW04, ATGE9AWP303AW01, ATGE9AWP305AW01, ATHE9ASP453NW29, ATHE9ASP455NN29, ATHE9ASP455NW29, ATLE9ASP305LW01, FTEE5ASP303NW10, FTEE5ASP303ZW01, FTEE5ASP433LW01, FTGE5ASP303NW10, LTEE5ASP303WW01, LTEE5ASP303WW37, LTEE5ASP303ZW01, LTEE5ASP333NW01, LTEE5ASP433AW01, LTEE5ASP433AW12, LTEE5ASP453VW26, LTEE5ASP543NW01, LTEE5ASP543NW23, LTEE5ASP543RW01, LTEE5ASP553KW01, LTGE5ASP303AW01, LTGE5ASP303AW12, LTLE5ASP303LW01, LTLE5ASP303NW35, LTLE5ASP543NW23, LTME5ASP543KW01, PTEE3FSP433AG01, PTGE3FSP303AG01, TTHE5ASP303NW36, TTPE5ASP303NW36, YTEE5ASP303NW10, YTGE5ASP303NW21, ZTHE9ASP455NN29 and ZTHE9ASP455NW29 starting Serial No. 1810000001; BSPP connection
	806611P	Mixing Valve	Models LTEE5AGP133ZW30 and LTGE5ASP113JW01; BSPP connection
	807837P	Mixing Valve	All other models; GHT connection
2	24122	Mixing Valve Screen	

Fill Hose

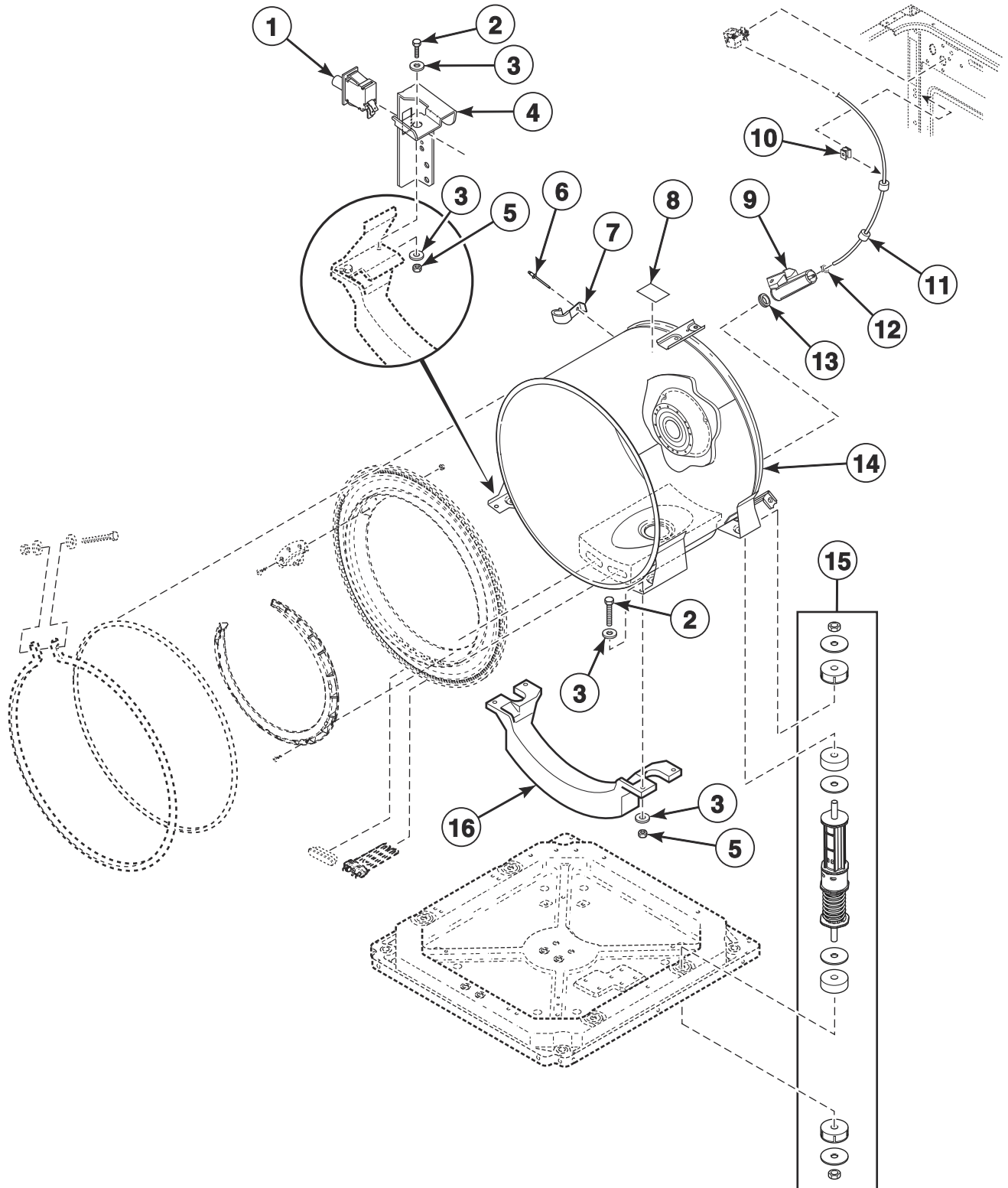


FLW1734PA_806105

Fill Hose

REF	PART NO.	DESCRIPTION	COMMENTS
	804783	Mixing Valve Shield	Models ATEE9AGP435AW01, ATEE9ASP133DN04, ATEE9ASP133DW04, ATEE9ASP433XW34, ATEE9ASP435XW34, ATEE9ASP453LW26, ATEE9ASP455LN01, ATEE9ASP455LW01, ATEE9ASP543DN04, ATEE9ASP543DW04, ATEE9ASP545DW04, ATEE9ASP565XW01, ATEE9AWP433AW01, ATEE9AWP435AW01, ATGE9AGP305AW01, ATGE9ASP123DN04, ATGE9ASP123DW04, ATGE9ASP125DW04, ATGE9ASP303XW01, ATGE9ASP303XW26, ATGE9ASP305XW01, ATGE9ASP543DN04, ATGE9ASP543DW04, ATGE9ASP545DW04, ATGE9AWP303AW01, ATGE9AWP305AW01, ATHE9ASP453NW29, ATHE9ASP455NN29, ATHE9ASP455NW29, ATLE9ASP305LW01, FTEE5ASP303ZW01, FTEE5ASP433LW01, LTEE5AGP133ZW30, LTEE5ASP133FW01, LTEE5ASP135MW01, LTEE5ASP303WW01, LTEE5ASP303WW37, LTEE5ASP303ZW01, LTEE5ASP433AW01, LTEE5ASP433AW12, LTEE5ASP453VW26, LTEE5ASP543RW01, LTEE5ASP553KW01, LTGE5ASP113FW01, LTGE5ASP113JW01, LTGE5ASP125MW01, LTGE5ASP303AW01, LTGE5ASP303AW12, LTLE5ASP303LW01, LTME5ASP543KW01, PTEE3FSP433AG01, PTGE3FSP303AG01, TTPE5ASP303NW36, YTEE5ASP133FW01, YTGE5ASP113FW01, YTGE5ASP303NW21, ZTHE9ASP455NN29 and ZTHE9ASP455NW29
1	803615	Washer	Filter screen
	802254	Washer	Flow restrictor; Water pressure reducer; Available for water pressure up to but not exceeding 120 psi
2	203720	Fill Hose	Marked for cold water; 4 feet; 2 GHT hose couplings
	203719	Fill Hose	Marked for hot water; 4 feet; 2 GHT hose couplings
	203750	Fill Hose	Marked for cold water; 4 feet; 1 BSPP thread hose coupling and 1 GHT hose coupling
	203718	Fill Hose	Marked for hot water; 4 feet; 1 BSPP thread hose coupling and 1 GHT hose coupling
	204103	Fill Hose	Marked for cold water; 4 feet; 2 BSPP thread hose couplings
	204102	Fill Hose	Marked for hot water; 4 feet; 2 BSPP thread hose couplings
	204108	Fill Hose	Marked for hot water; 10 feet; 2 BSPP thread hose coupling
3	20290	Washer	

Outer Tub, Front and Clamp Ring (Drawing 1 of 2)

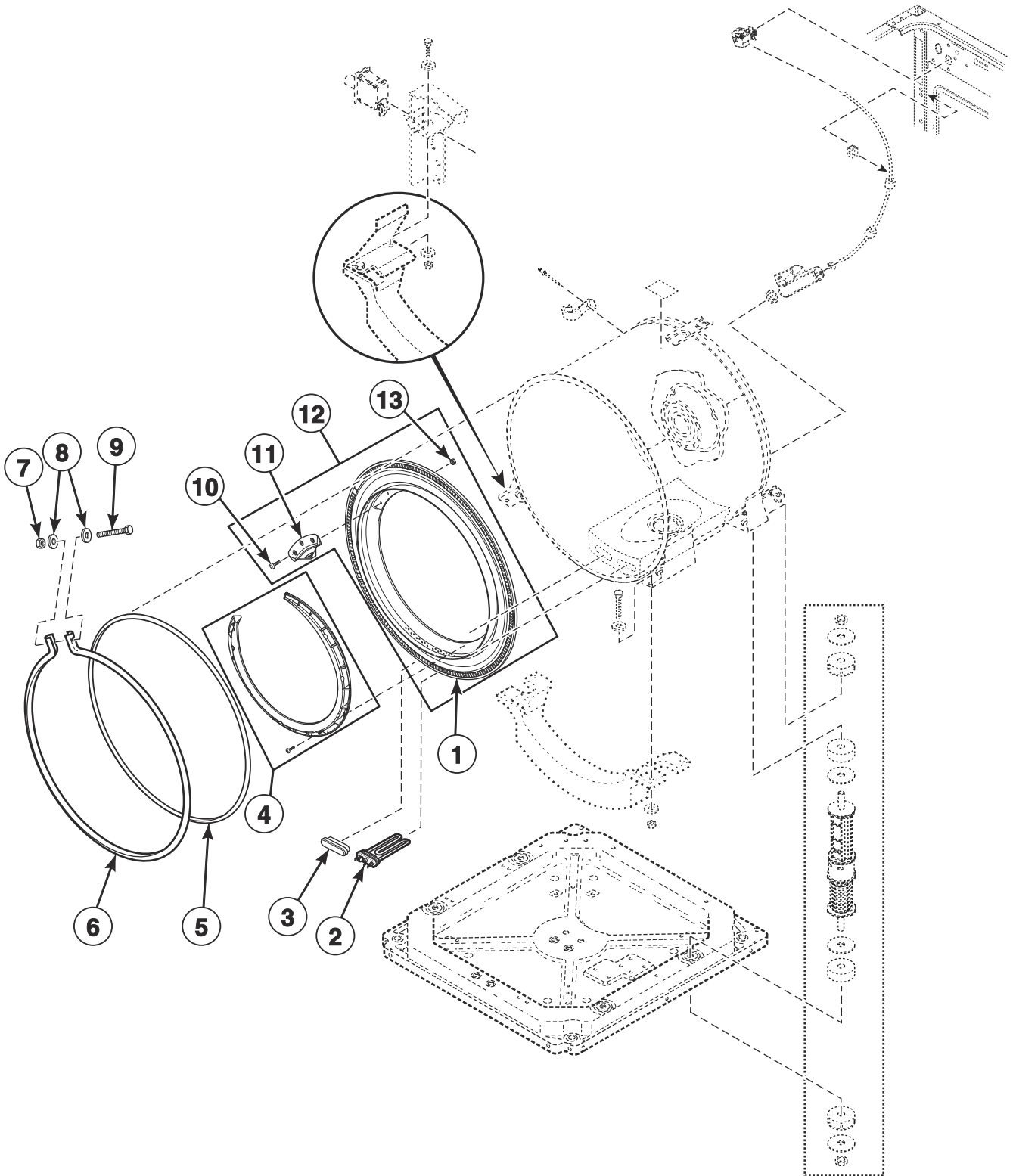


FLW1806P_806105

Outer Tub, Front and Clamp Ring (Drawing 1 of 2)

REF	PART NO.	DESCRIPTION	COMMENTS
1	803415	Out-of-Balance Switch Assembly	Through Serial No. 2012999999
	807384	Out-of-Balance Switch Assembly	Starting Serial No. 2101000001
2	800461	Screw	
3	804458	Washer	
4	804457	Out-of-Balance Switch Bracket	Through Serial No. 2012999999
	807280	Out-of-Balance Switch Bracket	Starting Serial No. 2101000001
5	800452	Nut	
6	685847	Pop Rivet	
7	800553	Hose Clip	
8	D500049	Warning Label	
9	803837	Pressure Bulb	
10	36985	Hose Clip	
11	804769	Pressure Sensor Tube Assembly	Models ATHE9ASP453NW29, ATHE9ASP455NN29, ATHE9ASP455NW29, TTHE5ASP303NW36, TTPE5ASP303NW36, ZTHE9ASP455NN29 and ZTHE9ASP455NW29
	804483	Pressure Sensor Tube Assembly	All other models
12	803891	Hose Clamp	
13	29175	Grommet	
14	803865	Outer Tub Assembly	Models ATHE9ASP453NW29, ATHE9ASP455NN29, ATHE9ASP455NW29, TTHE5ASP303NW36, TTPE5ASP303NW36, ZTHE9ASP455NN29 and ZTHE9ASP455NW29; Through Serial No. 1910999999 except Serial Nos. 1908066087 to 1909000879
	803864	Outer Tub Assembly	All other models; Through Serial No. 1910999999 except Serial Nos. 1908066087 to 1909000879
	807619	Outer Tub Assembly	Models ATHE9ASP453NW29, ATHE9ASP455NN29, ATHE9ASP455NW29, TTHE5ASP303NW36, TTPE5ASP303NW36, ZTHE9ASP455NN29 and ZTHE9ASP455NW29; Serial Nos. 1908066087 to 1909000879 and starting Serial No. 1911000001 to 2010999999
	807618	Outer Tub Assembly	All other models; Serial Nos. 1908066087 to 1909000879 and starting Serial No. 1911000001 to 2010999999
	807480	Outer Tub Assembly	Models ATHE9ASP453NW29, ATHE9ASP455NN29, ATHE9ASP455NW29, TTHE5ASP303NW36, TTPE5ASP303NW36, ZTHE9ASP455NN29 and ZTHE9ASP455NW29; Starting Serial No. 2011000001
	807479	Outer Tub Assembly	All other models; Starting Serial No. 2011000001
15	803777P	Shock Assembly	Must replace all 4
16	807476	Counterweight	

Outer Tub, Front and Clamp Ring (Drawing 2 of 2)

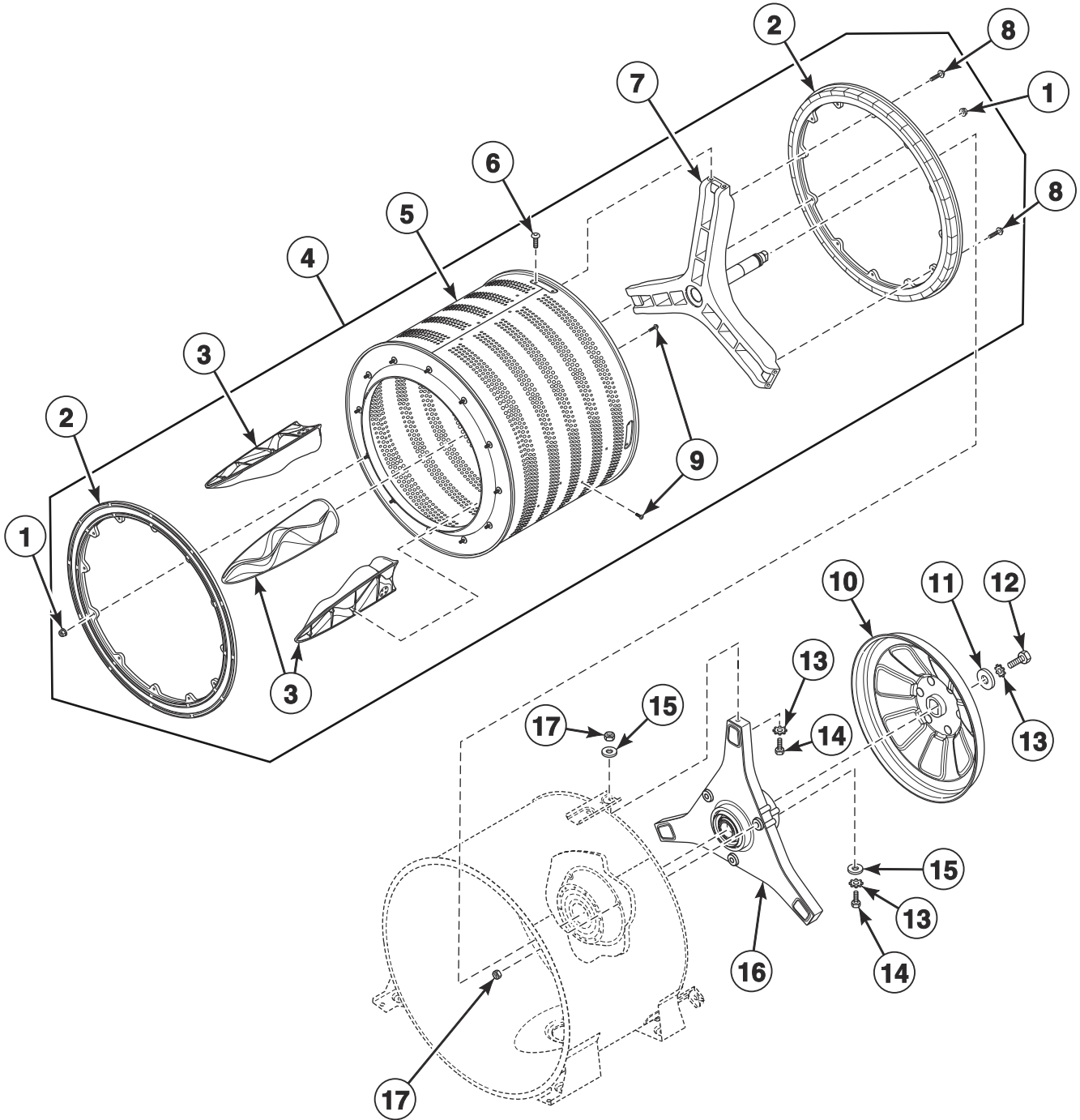


FLW1806PA_806105

Outer Tub, Front and Clamp Ring (Drawing 2 of 2)

REF	PART NO.	DESCRIPTION	COMMENTS
1	803770	Tub Front	
2	806090	Heating Element	Includes thermistor; Models ATHE9ASP453NW29, ATHE9ASP455NN29, ATHE9ASP455NW29, TTHE5ASP303NW36, TTPE5ASP303NW36, ZTHE9ASP455NN29 and ZTHE9ASP455NW29
3	F360202	Heating Element Plug	Models ATHE9ASP453NW29, ATHE9ASP455NN29, ATHE9ASP455NW29, TTHE5ASP303NW36, TTPE5ASP303NW36, ZTHE9ASP455NN29 and ZTHE9ASP455NW29
4	806308	Foreign Object Deflector	Black; Includes screws
	806313	Foreign Object Deflector	Gray; Includes screws
	806361	Foreign Object Deflector	Tall; Gray; Includes screws
5	803801	Tub Front Seal	
6	803802	Clamp Ring	
7	F430218	Nut	
8	M400081	Washer	
9	800462	Screw	
10	802596	Screw	
11	804467	Clothes Guard Deflector	
	805548	Clothes Guard Deflector	Heavy duty
12	803879	Tub Front Assembly	Includes items 1, 8, 9 and 11
13	802343	Nut	

Inner Basket, Trunnion, Bearing Housing and Pulley

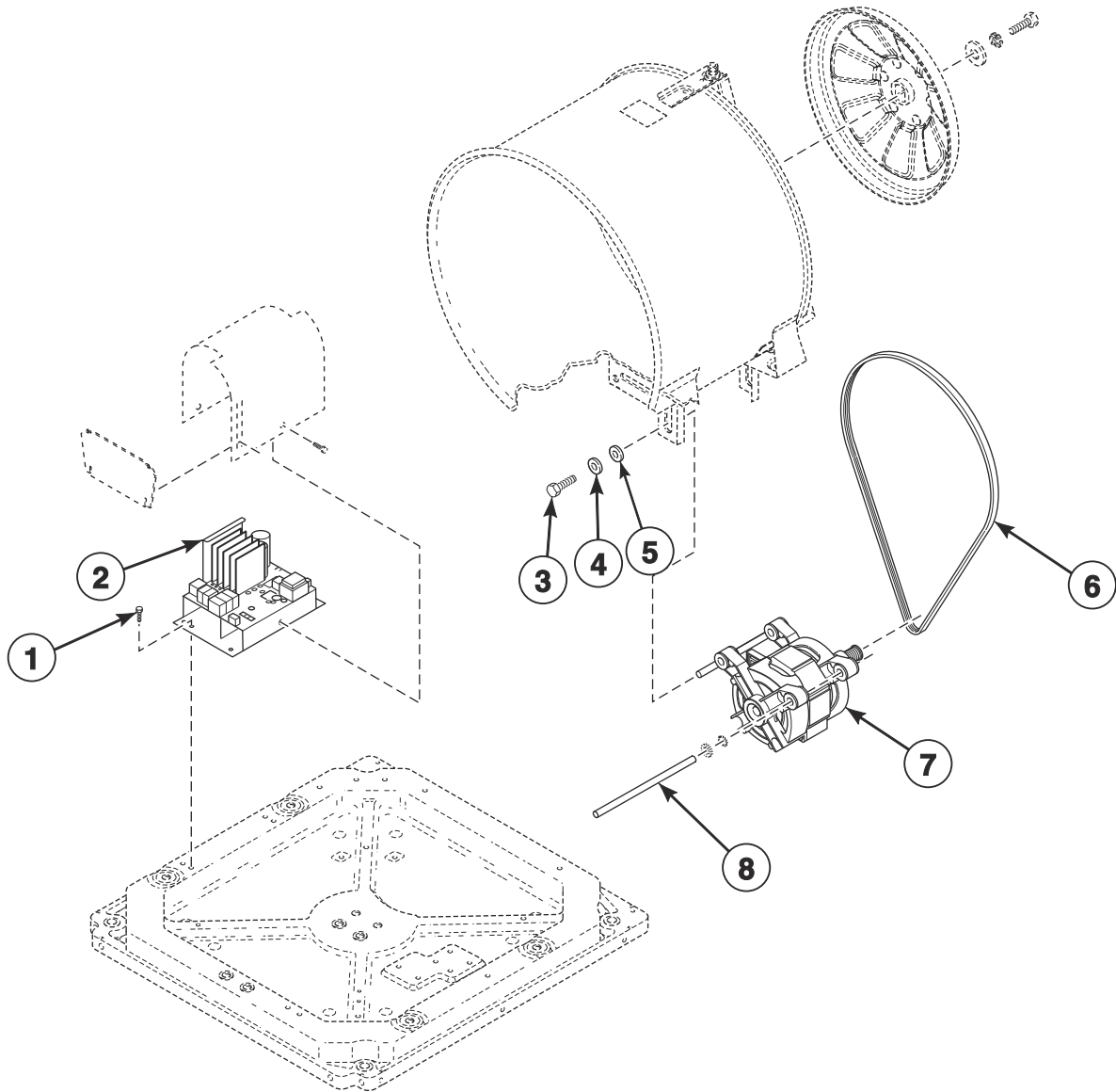


FLW1803P_806105

Inner Basket, Trunnion, Bearing Housing and Pulley

REF	PART NO.	DESCRIPTION	COMMENTS
	27604P	Anti-Seize Compound	Pulley to inner basket shaft
	805730	Bearing Kit	
1	804418	Nut	
2	804393	Balance Ring Assembly	
3	804382	Lifter	
4	805485	Inner Basket Assembly	Includes items 1-3 and 5-9; Models LTEE5ASP433AW12 and LTGE5ASP303AW12
	804376P	Inner Basket Assembly Kit	Includes items 1-3 and 5-9; All other models
5	804374P	Inner Basket Assembly	
6	804699	Screw	
7	806831	Trunnion Kit	Models LTEE5ASP433AW12 and LTGE5ASP303AW12; Includes hardware and tool
	808043P	Trunnion Shaft Kit	All other models; Includes hardware and tool
8	804399	Screw	
9	800548	Screw	
10	803974	Pulley Assembly	
11	807679	Washer	
12	685831	Screw	Left hand thread
13	M403958	Washer	Used through Serial No. 1609046805
14	M400043	Screw	
15	800457	Washer	
16	805525	Bearing Housing Kit	Includes hardware and tool
17	800452	Nut	

Motor and Belt (Drawing 1 of 2)

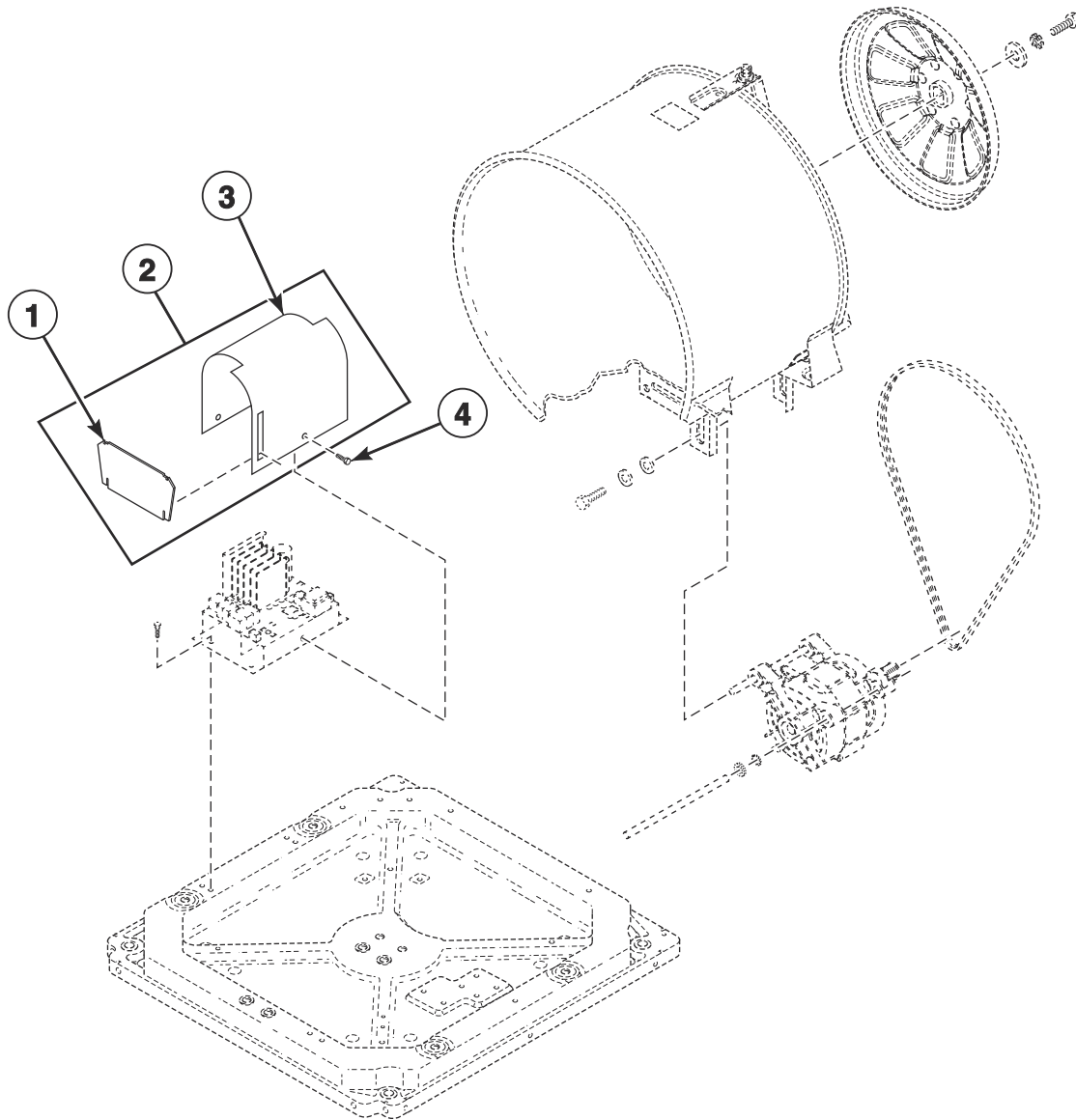


FLW1794PA_806105

Motor and Belt (Drawing 1 of 2)

REF	PART NO.	DESCRIPTION	COMMENTS
	807441	Control Bracket	Starting Serial No. 2101000001
	F8206901	Screw	Starting Serial No. 2101000001; Use with 807441 Control Bracket
1	D503661	Screw	Through Serial No. 2012999999
2	807175P	Inverter Control Assembly	Through Serial No. 2012999999
	807240	Output Control Assembly	120 Volt; Without filter; Starting Serial No. 2101000001
	807243	Output Control Assembly	240 Volt; With filter; Starting Serial No. 2101000001
3	M400057	Screw	Through Serial No. 2010999999
	02916	Screw	Starting Serial No. 2011000001
4	02834	Washer	Through Serial No. 2010999999
5	M400080	Washer	Through Serial No. 2010999999
6	804985	Drive Belt	Through Serial No. 1910999999 except Serial Nos. 1908066087 to 1909000879
	807429P	Belt	Serial Nos. 1908066087 to 1909000879 and starting Serial No. 1911000001
7	805726P	Motor and Rod Assembly Kit	Includes item 8; Through Serial No. 2012999999
	808067P	Motor and Rod Assembly Kit	Includes item 8; Starting Serial No. 2101000001
8	803861	Motor Rod	Through Serial No. 2010999999
	807739	Motor Rod	Starting Serial No. 2011000001

Motor and Belt (Drawing 2 of 2)



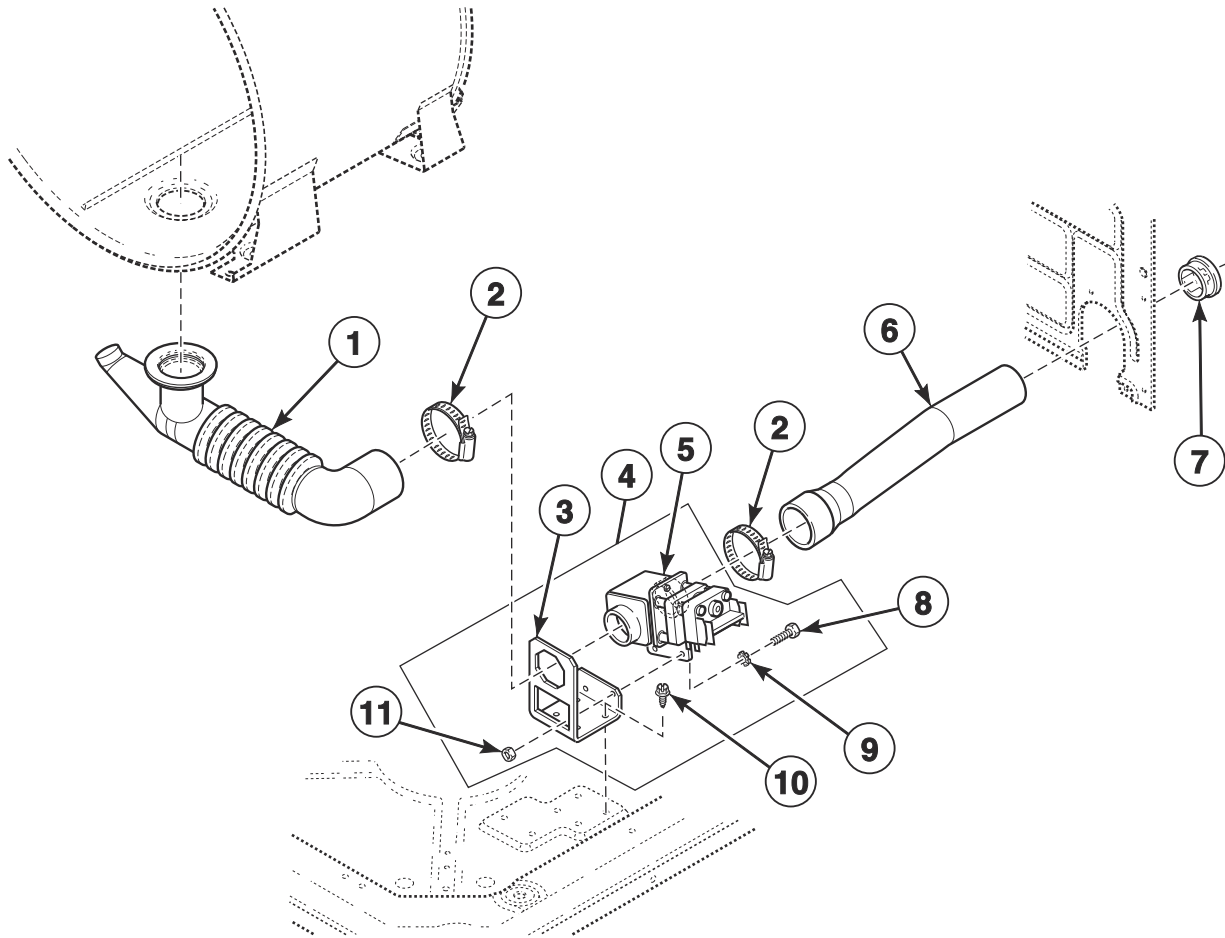
FLW1794P_806105

Motor and Belt (Drawing 2 of 2)

REF	PART NO.	DESCRIPTION	COMMENTS
1	806258	End Shield	Models ATEE9AGP435AW01, ATEE9ASP133DN04, ATEE9ASP133DW04, ATEE9ASP433XW34, ATEE9ASP435XW34, ATEE9ASP453LW26, ATEE9ASP455LN01, ATEE9ASP455LW01, ATEE9ASP543DN04, ATEE9ASP543DW04, ATEE9ASP545DW04, ATEE9ASP565XW01, ATEE9AWP433AW01, ATEE9AWP435AW01, ATGE9AGP305AW01, ATGE9ASP123DN04, ATGE9ASP123DW04, ATGE9ASP125DW04, ATGE9ASP303XW01, ATGE9ASP303XW26, ATGE9ASP305XW01, ATGE9ASP543DN04, ATGE9ASP543DW04, ATGE9ASP545DW04, ATGE9AWP303AW01, ATGE9AWP305AW01, ATHE9ASP453NW29, ATHE9ASP455NN29, ATHE9ASP455NW29, ATLE9ASP305LW01, FTEE5ASP303ZW01, FTEE5ASP433LW01, LTEE5AGP133ZW30, LTEE5ASP133FW01, LTEE5ASP303WW01, LTEE5ASP303ZW01, LTEE5ASP333NW01, LTEE5ASP433AW01, LTEE5ASP433AW12, LTEE5ASP453VW26, LTEE5ASP543RW01, LTEE5ASP553KW01, LTGE5ASP113FW01, LTGE5ASP113JW01, LTGE5ASP303AW01, LTGE5ASP303AW12, LTLE5ASP303LW01, LTME5ASP543KW01, PTEE3FSP433AG01, PTGE3FSP303AG01, TTPE5ASP303NW36, TTPE5ASP303NW36, YTEE5ASP133FW01, YTGE5ASP113FW01, ZTHE9ASP455NN29 and ZTHE9ASP455NW29 through Serial No. 2012999999
2	806498	Motor Control Shield	Includes items 3 and 5; Models ATEE9AGP435AW01, ATEE9ASP133DN04, ATEE9ASP133DW04, ATEE9ASP433XW34, ATEE9ASP435XW34, ATEE9ASP453LW26, ATEE9ASP455LN01, ATEE9ASP455LW01, ATEE9ASP543DN04, ATEE9ASP543DW04, ATEE9ASP545DW04, ATEE9ASP565XW01, ATEE9AWP433AW01, ATEE9AWP435AW01, ATGE9AGP305AW01, ATGE9ASP123DN04, ATGE9ASP123DW04, ATGE9ASP125DW04, ATGE9ASP303XW01, ATGE9ASP303XW26, ATGE9ASP305XW01, ATGE9ASP543DN04, ATGE9ASP543DW04, ATGE9ASP545DW04, ATGE9AWP303AW01, ATGE9AWP305AW01, ATHE9ASP453NW29, ATHE9ASP455NN29, ATHE9ASP455NW29, FTEE5ASP303ZW01, FTEE5ASP433LW01, LTEE5AGP133ZW30, LTEE5ASP133FW01, LTEE5ASP303WW01, LTEE5ASP303ZW01, LTEE5ASP333NW01, LTEE5ASP433AW01, LTEE5ASP433AW12, LTEE5ASP453VW26, LTEE5ASP543RW01, LTEE5ASP553KW01, LTGE5ASP113FW01, LTGE5ASP113JW01, LTGE5ASP303AW01, LTGE5ASP303AW12, LTME5ASP543KW01, PTEE3FSP433AG01, PTGE3FSP303AG01, TTPE5ASP303NW36, TTPE5ASP303NW36, YTEE5ASP133FW01, YTGE5ASP113FW01, YTGE5ASP303NW21, ZTHE9ASP455NN29 and ZTHE9ASP455NW29
3	804878	Motor Control Shield	Through Serial No. 2012999999
4	D501524	Screw	

Drain Hose and Valve

Models ATEE9ASG453NW36 and ATEE9ASG455NW36



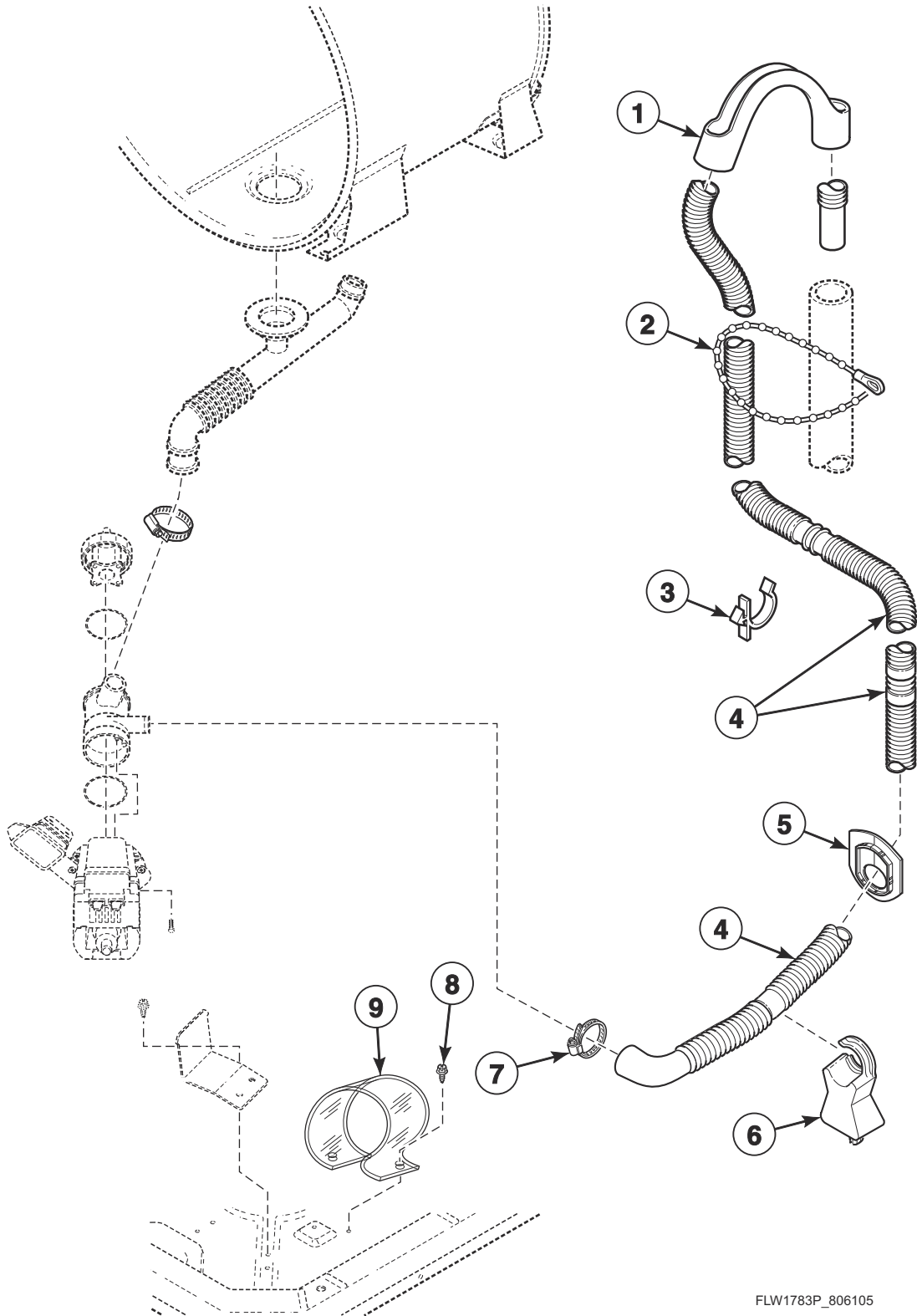
FLW1745P_806105

Drain Hose and Valve

REF	PART NO.	DESCRIPTION	COMMENTS
1	803874	Tub-to-Gravity Drain Hose	
2	685725	Hose Clamp	
3	803291	Gravity Drain Bracket	
4	F976P3	Drain Valve Kit	
5	803292P	Gravity Drain Valve	
6	800903	Drain-to-Cabinet Hose	
7	D503235	Snap Bushing	
8	02916	Screw	
9	M400017	Washer	
10	D503661	Screw	
11	29786	Nut	

Drain Hose and Pump (Drawing 1 of 2)

All Models Except ATEE9ASG453NW36 and ATEE9ASG455NW36



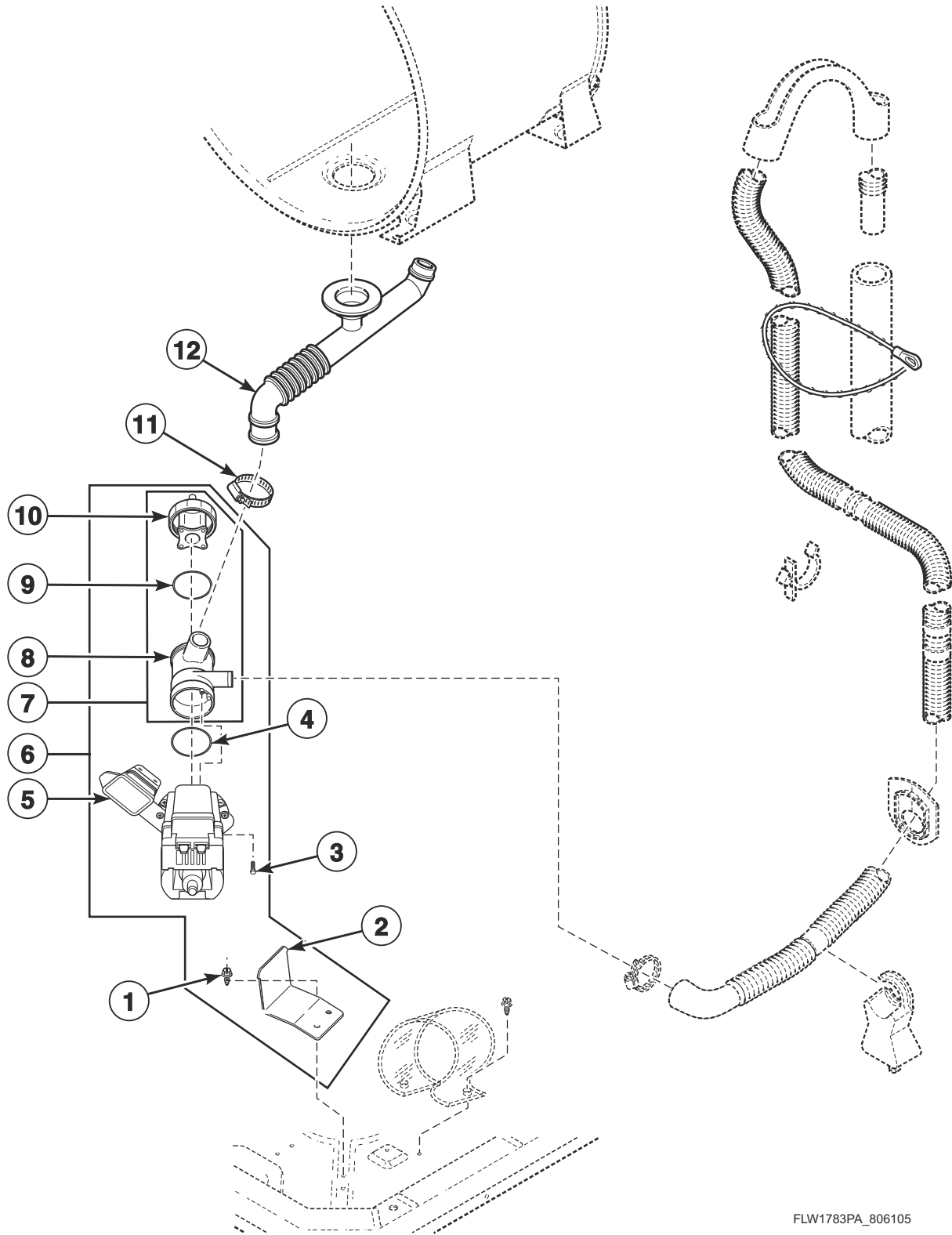
FLW1783P_806105

Drain Hose and Pump (Drawing 1 of 2)

REF	PART NO.	DESCRIPTION	COMMENTS
	805770	Pump-to-Gravity Drain Kit	Models ATEE9AGP435AW01, ATEE9ASP433XW34, ATEE9ASP435XW34, ATEE9ASP453LW26, ATEE9ASP455LN01, ATEE9ASP455LW01, ATEE9ASP543DN04, ATEE9ASP543DW04, ATEE9ASP545DW04, ATEE9ASP565XW01, ATEE9AWP433AW01, ATEE9AWP435AW01, ATGE9AGP305AW01, ATGE9ASP303XW01, ATGE9ASP303XW26, ATGE9ASP305XW01, ATGE9ASP543DN04, ATGE9ASP543DW04, ATGE9ASP545DW04, ATGE9AWP303AW01, ATGE9AWP305AW01, ATHE9ASP453NW29, ATHE9ASP455NN29, ATHE9ASP455NW29, FTEE5ASP303NW10, FTEE5ASP303ZW01, FTEE5ASP433LW01, FTGE5ASP303NW10, LTEE5ASP303WW01, LTEE5ASP303WW37, LTEE5ASP303ZW01, LTEE5ASP333NW01, LTEE5ASP433AW01, LTEE5ASP433AW12, LTEE5ASP453VW26, LTEE5ASP543NW01, LTEE5ASP543NW23, LTEE5ASP543RW01, LTEE5ASP553KW01, LTGE5ASP303AW01, LTGE5ASP303AW12, LTLE5ASP543NW23, LTME5ASP543KW01, PTEE3FSP433AG01, PTGE3FSP303AG01, TTHE5ASP303NW36, TTPE5ASP303NW36, YTEE5ASP303NW10, YTGE5ASP303NW21, ZTHE9ASP455NN29 and ZTHE9ASP455NW29
	805771	Pump-to-Gravity Drain Kit	All other models
1	33615	Drain Hose Sleeve	
2	33489	Standpipe Strap	
3	36014	Retainer Clip	
4	803976	Drain Hose	
5	32219	Strain Relief	
6	38732	Hose Stand	
7	F200204	Hose Clamp	
8	D503661	Screw	
9	805561	Drain Pump Drip Shield	Models ATEE9AGP435AW01, ATEE9ASP133DN04, ATEE9ASP133DW04, ATEE9ASP433XW34, ATEE9ASP435XW34, ATEE9ASP453LW26, ATEE9ASP455LN01, ATEE9ASP455LW01, ATEE9ASP543DN04, ATEE9ASP543DW04, ATEE9ASP545DW04, ATEE9ASP565XW01, ATEE9AWP433AW01, ATEE9AWP435AW01, ATGE9AGP305AW01, ATGE9ASP123DN04, ATGE9ASP123DW04, ATGE9ASP125DW04, ATGE9ASP303XW01, ATGE9ASP303XW26, ATGE9ASP305XW01, ATGE9ASP543DN04, ATGE9ASP543DW04, ATGE9ASP545DW04, ATGE9AWP303AW01, ATGE9AWP305AW01, ATHE9ASP453NW29, ATHE9ASP455NN29, ATHE9ASP455NW29, ATLE9ASP305LW01, FTEE5ASP303ZW01, FTEE5ASP433LW01, LTEE5AGP133ZW30, LTEE5ASP133FW01, LTEE5ASP135MW01, LTEE5ASP303WW01, LTEE5ASP303WW37, LTEE5ASP303ZW01, LTEE5ASP433AW01, LTEE5ASP433AW12, LTEE5ASP453VW26, LTEE5ASP543NW23, LTEE5ASP543RW01, LTEE5ASP553KW01, LTGE5ASP113FW01, LTGE5ASP113JW01, LTGE5ASP125MW01, LTGE5ASP303AW01, LTGE5ASP303AW12, LTLE5ASP303LW01, LTME5ASP543KW01, PTEE3FSP433AG01, PTGE3FSP303AG01, TTHE5ASP303NW36, TTPE5ASP303NW36, YTEE5ASP133FW01, YTGE5ASP113FW01, ZTHE9ASP455NN29 and ZTHE9ASP455NW29

Drain Hose and Pump (Drawing 2 of 2)

All Models Except ATEE9ASG453NW36 and ATEE9ASG455NW36

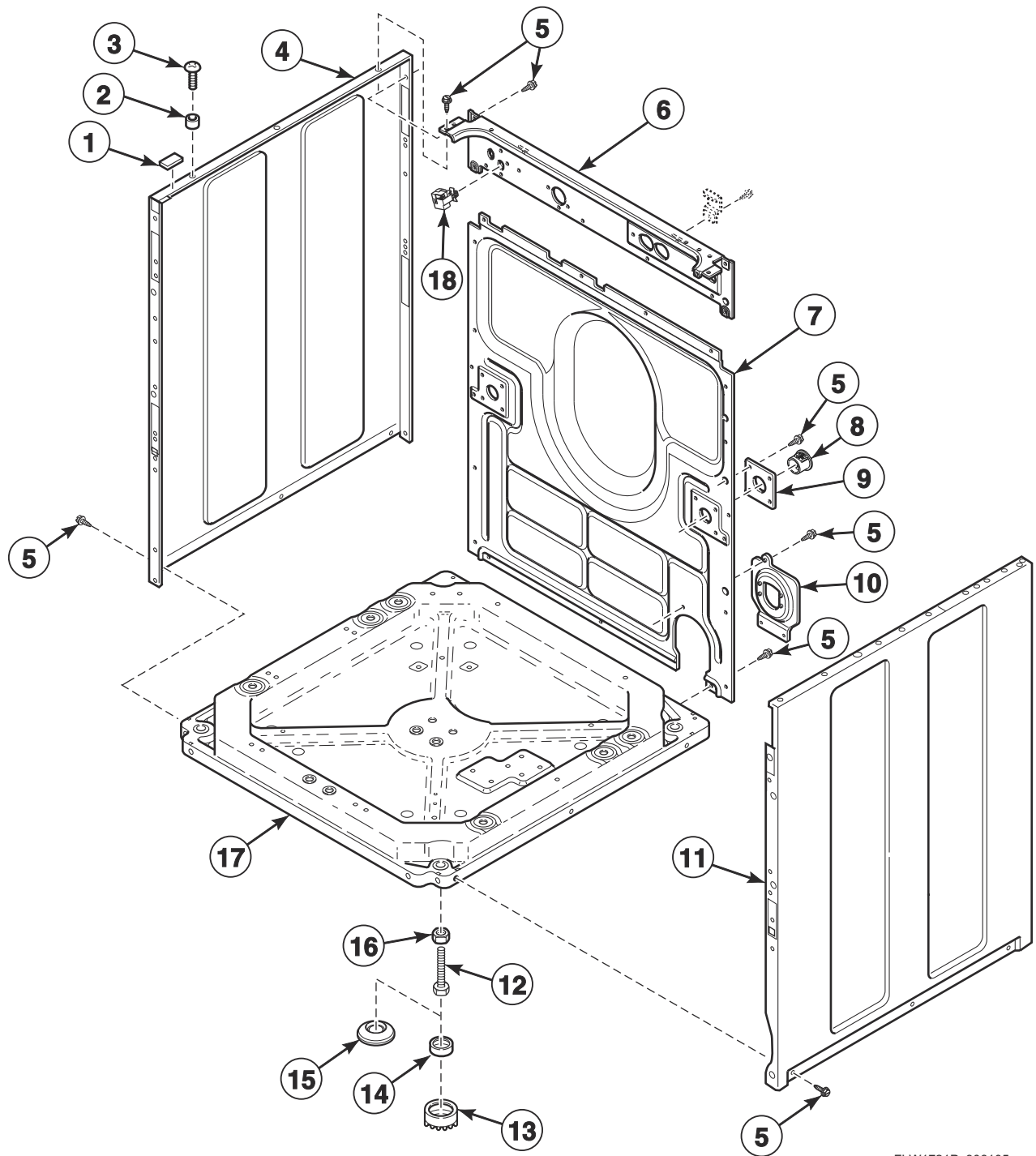


FLW1783PA_806105

Drain Hose and Pump (Drawing 2 of 2)

REF	PART NO.	DESCRIPTION	COMMENTS
1	D503661	Screw	
2	803814	Drain Base Bracket	
3	802431	Screw	
4	802429P	O-Ring	
5	803815	Drain Pump Isolator	
6	805722P	Drain Pump Assembly	Models ATEE9ASP543DN04, ATEE9ASP543DW04, ATEE9ASP545DW04, ATGE9ASP543DN04, ATGE9ASP543DW04, ATGE9ASP545DW04, LTEE5ASP333NW01, LTEE5ASP543NW01, LTEE5ASP543NW23, LTEE5ASP543RW01, LTLE5ASP543NW23 and LTME5ASP543KW01
	803922	Drain Pump Assembly	Models ATEE9AGP435AW01, ATEE9ASP433XW34, ATEE9ASP435XW34, ATEE9ASP453LW26, ATEE9ASP455LN01, ATEE9ASP455LW01, ATEE9ASP565XW01, ATEE9AWP433AW01, ATEE9AWP435AW01, ATGE9AGP305AW01, ATGE9ASP303XW26, ATGE9AWP303AW01, ATGE9AWP305AW01, ATHE9ASP453NW29, ATHE9ASP455NN29, ATHE9ASP455NW29, ATLE9ASP305LW01, FTEE5ASP303NW10, FTEE5ASP303ZW01, FTEE5ASP433LW01, FTGE5ASP303NW10, LTEE5ASP303WW01, LTEE5ASP303WW37, LTEE5ASP303ZW01, LTEE5ASP433AW01, LTEE5ASP433AW12, LTEE5ASP453VW26, LTEE5ASP543RW01, LTEE5ASP553KW01, LTGE5ASP303AW01, LTGE5ASP303AW12, LTLE5ASP303LW01, LTLE5ASP303NW35, PTEE3FSP433AG01, PTGE3FSP303AG01, TTHE5ASP303NW36, TTPE5ASP303NW36, YTEE5ASP303NW10, YTGE5ASP303NW21, ZTHE9ASP455NN29 and ZTHE9ASP455NW29
	805724P	Drain Pump Assembly	All other models
7	802434P	Pump Housing Assembly	Includes items 8-10
8	802428	Pump Housing	
9	802427	Gasket	
10	802426P	Lid Assembly	Includes filter
11	F200204	Hose Clamp	
12	803816	Tub-to-Pump Hose	Models ATHE9ASP453NW29, ATHE9ASP455NN29, ATHE9ASP455NW29, TTHE5ASP303NW36, TTPE5ASP303NW36, ZTHE9ASP455NN29 and ZTHE9ASP455NW29
	803829	Tub-to-Pump Hose	All other models
	27615P	Sealant	Tub-to-pump hose to outer tub

Base, Side Panels and Rear Panel



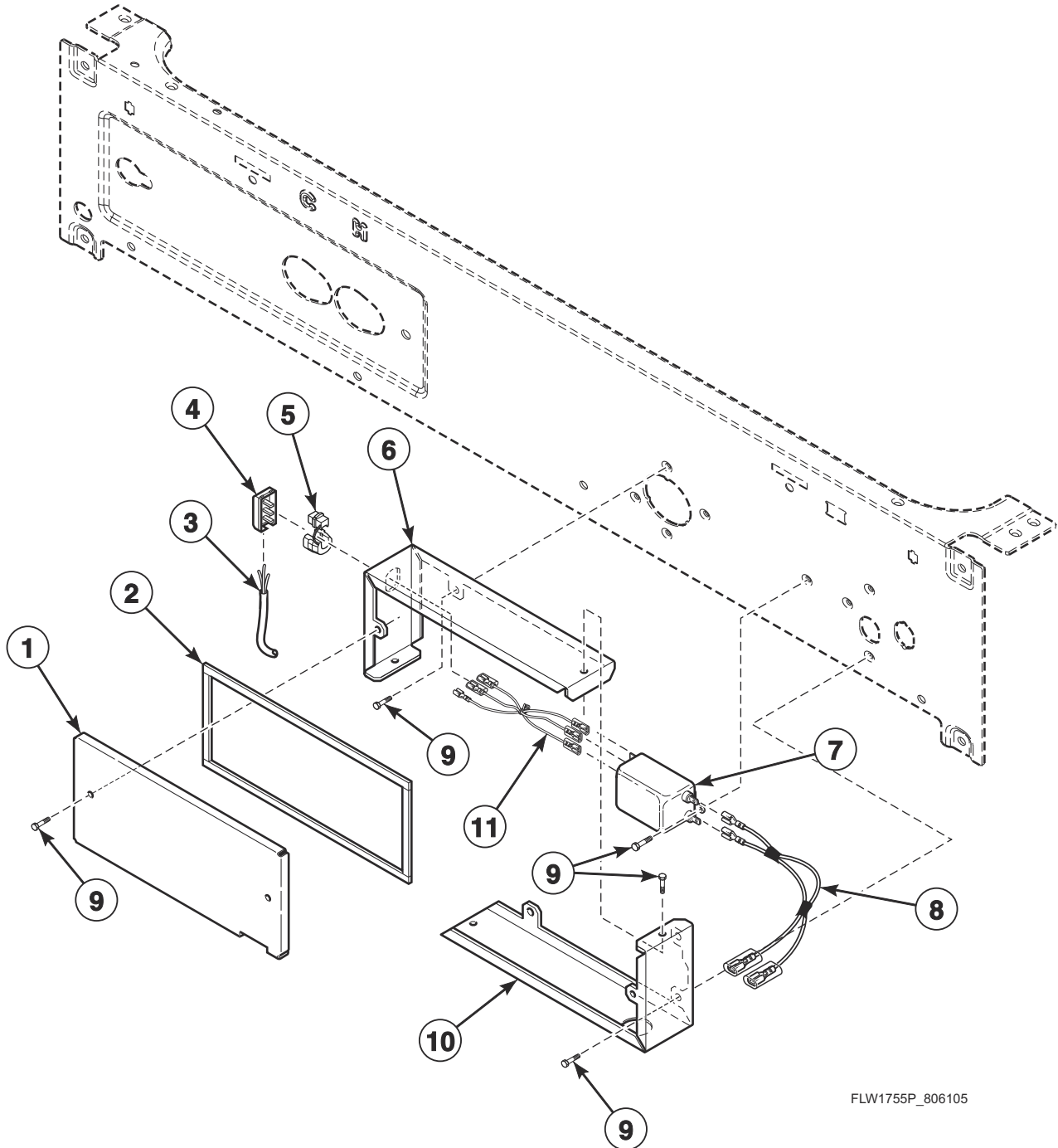
FLW1721P_806105

Base, Side Panels and Rear Panel

REF	PART NO.	DESCRIPTION	COMMENTS
	122P4P	Porcelain Touch-Up Paint	White
	806436P	Paint	Gray
1	36226	Bumper Pad	
2	56079	Panel Locator	
3	39733	Screw	Use with painted panels
	806276	Screw	Use with stainless steel panels
4	800004WP	Cabinet Panel Kit	Left; White; Includes corner gusset with hardware
	800004DG	Cabinet Side Panel	Left; Dark gray
	802525P	Cabinet Side Panel	Left; Stainless steel
5	D503661	Screw	Use with painted panels
	D512921	Screw	Use with stainless steel panels
6	803790	Rear Panel	Fixed; Through Serial No. 1810000001
	806716	Rear Panel	Fixed; Starting Serial No. 1810000001
7	803789	Rear Panel	Removable
8	803859	Shipping Plug	
9	803851	Shipping Plate	
10	803833	Gravity Drain Bracket	Models ATEE9ASG453NW36 and ATEE9ASG455NW36
	803828	Drain Hose Bracket	All other models
11	806492	Side Panel Kit	Right; White
	800005DG	Cabinet Side Panel	Right; Dark gray
	802526P	Cabinet Side Panel	Right; Stainless steel
12	34319	Leveling Leg	
13	D501855	Rubber Foot	Use to prevent movement on smooth surface floor coverings; Install over 2 existing front rubber feet (item 14)
14	34318	Rubber Foot	
15	155P3	Anchor	Includes 4 rubber discs with adhesive backing
	802844P	Anchor Floor Mount Assembly	Includes 2 rubber discs with adhesive backing
16	21899	Nut	
17	803876	Base Assembly	
18	203843	Pressure Sensor	

Washer Junction Box

Models ATEE9AGP435AW01, ATEE9ASG453NW36, ATEE9ASG455NW36, ATEE9ASP133DN04, ATEE9ASP133DW04, ATEE9ASP433XW34, ATEE9ASP435XW34, ATEE9ASP453LW26, ATEE9ASP455LN01, ATEE9ASP455LW01, ATEE9ASP543DN04, ATEE9ASP543DW04, ATEE9ASP545DW04, ATEE9ASP565XW01, ATEE9AWP433AW01, ATEE9AWP435AW01, ATGE9AGP305AW01, ATGE9ASP123DN04, ATGE9ASP123DW04, ATGE9ASP125DW04, ATGE9ASP303XW01, ATGE9ASP303XW26, ATGE9ASP305XW01, ATGE9ASP543DN04, ATGE9ASP543DW04, ATGE9ASP545DW04, ATGE9AWP303AW01, ATGE9AWP305AW01, ATLE9ASP305LW01, FTEE5ASP303NW10, FTEE5ASP303ZW01, FTEE5ASP433LW01, FTGE5ASP303NW10, LTEE5AGP133ZW30, LTEE5ASP133FW01, LTEE5ASP135MW01, LTEE5ASP303WW01, LTEE5ASP303WW37, LTEE5ASP303ZW01, LTEE5ASP333NW01, LTEE5ASP433AW01, LTEE5ASP433AW12, LTEE5ASP453VW26, LTEE5ASP543NW01, LTEE5ASP543NW23, LTEE5ASP543RW01, LTEE5ASP553KW01, LTGE5ASP113FW01, LTGE5ASP113JW01, LTGE5ASP125MW01, LTGE5ASP303AW01, LTGE5ASP303AW12, LTLE5ASP303LW01, LTLE5ASP303NW35, LTLE5ASP543NW23, LTME5ASP543KW01, PTEE3FSP433AG01, PTGE3FSP303AG01, YTEE5ASP133FW01, YTEE5ASP303NW10, YTGE5ASP113FW01 and YTGE5ASP303NW21

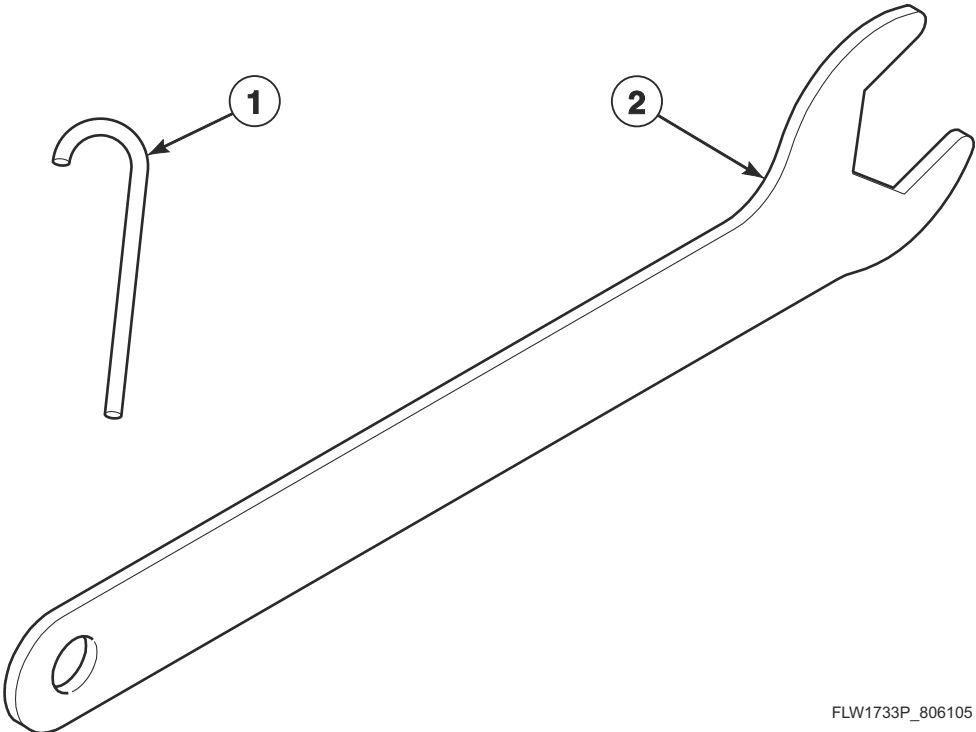


FLW1755P_806105

Washer Junction Box

REF	PART NO.	DESCRIPTION	COMMENTS
1	803820	Junction Box Cover	
2	803832P	Junction Box Seal	
3	801450	Power Cord Assembly	Models FTEE5ASP303NW10, FTEE5ASP303ZW01, FTGE5ASP303NW10, LTEE5ASP303ZW01, LTEE5ASP333NW01, LTEE5ASP543NW01 and YTEE5ASP303NW10
	39926	Lead-In Cord	Models LTEE5ASP453VW26, LTEE5ASP543NW23 and LTLE5ASP543NW23
	204061	Power Cord Assembly	Models LTEE5AGP133ZW30 and LTGE5ASP113JW01
	39931	Power Cord Assembly	Models ATEE9AGP435AW01, ATEE9AWP433AW01, ATEE9AWP435AW01, ATGE9AGP305AW01, ATGE9AWP303AW01, ATGE9AWP305AW01, LTEE5ASP433AW01, LTEE5ASP433AW12, LTGE5ASP303AW01, LTGE5ASP303AW12, PTEE3FSP433AG01 and PTGE3FSP303AG01
	802012	Power Cord Assembly	Models LTEE5ASP133FW01, LTGE5ASP113FW01, YTEE5ASP133FW01 and YTGE5ASP113FW01
	39925	Power Cord Assembly	Models ATEE9ASP433XW34, ATEE9ASP435XW34, ATEE9ASP565XW01, ATGE9ASP303XW01, ATGE9ASP303XW26, ATGE9ASP305XW01, LTEE5ASP543RW01 and LTLE5ASP303NW35
	804556	Lead-In Cord Assembly	Models ATEE9ASP133DN04, ATEE9ASP133DW04, ATEE9ASP543DN04, ATEE9ASP543DW04, ATEE9ASP545DW04, ATGE9ASP123DN04, ATGE9ASP123DW04, ATGE9ASP125DW04, ATGE9ASP543DN04, ATGE9ASP543DW04 and ATGE9ASP545DW04
	808046	Power Cord Assembly	Models ATEE9ASG453NW36 and ATEE9ASG455NW36
	202405	Lead-In Cord	Models LTEE5ASP303WW01 and LTEE5ASP303WW37
	805974	Lead-In Cord	Models ATEE9ASP453LW26, ATEE9ASP455LN01, ATEE9ASP455LW01, ATLE9ASP305LW01, FTEE5ASP433LW01 and LTLE5ASP303LW01
	805844	Lead-In Cord	Models LTEE5ASP553KW01 and LTME5ASP543KW01
	805732	Power Cord Assembly	Model YTGE5ASP303NW21
4	39922	Cable Connection Box	All models except LTEE5AGP133ZW30 and LTGE5ASP113JW01
5	60298	Strain Relief	Models LTEE5AGP133ZW30 and LTGE5ASP113JW01
	38384	Strain Relief	All other models
6	804559	Junction Box	Upper; Models LTEE5AGP133ZW30 and LTGE5ASP113JW01
	803818	Junction Box	Upper; All other models
7	805633	Line Filter	Models PTEE3FSP433AG01 and PTGE3FSP303AG01; All other models starting Serial Nos. beginning 1610
8	804396	Filter Harness	Filter to main harness; Models ATGE9ASP303XW01, ATGE9ASP303XW26, ATGE9ASP305XW01, ATLE9ASP305LW01, LTEE5AGP133ZW30, LTGE5ASP113JW01, LTLE5ASP303LW01, PTEE3FSP433AG01 and PTGE3FSP303AG01; All other models starting Serial Nos. beginning 1610
	804797	Filter Harness	Filter to main harness; Models LTEE5ASP135MW01 and LTGE5ASP125MW01; All other models through Serial Nos. beginning 1610
9	D503661	Screw	
10	803819	Junction Box	Lower
11	808048	Filter Jumper Harness	Filter to terminal block; All models except LTEE5AGP133ZW30, LTGE5ASP113JW01, PTEE3FSP433AG01 and PTGE3FSP303AG01

Special Tools

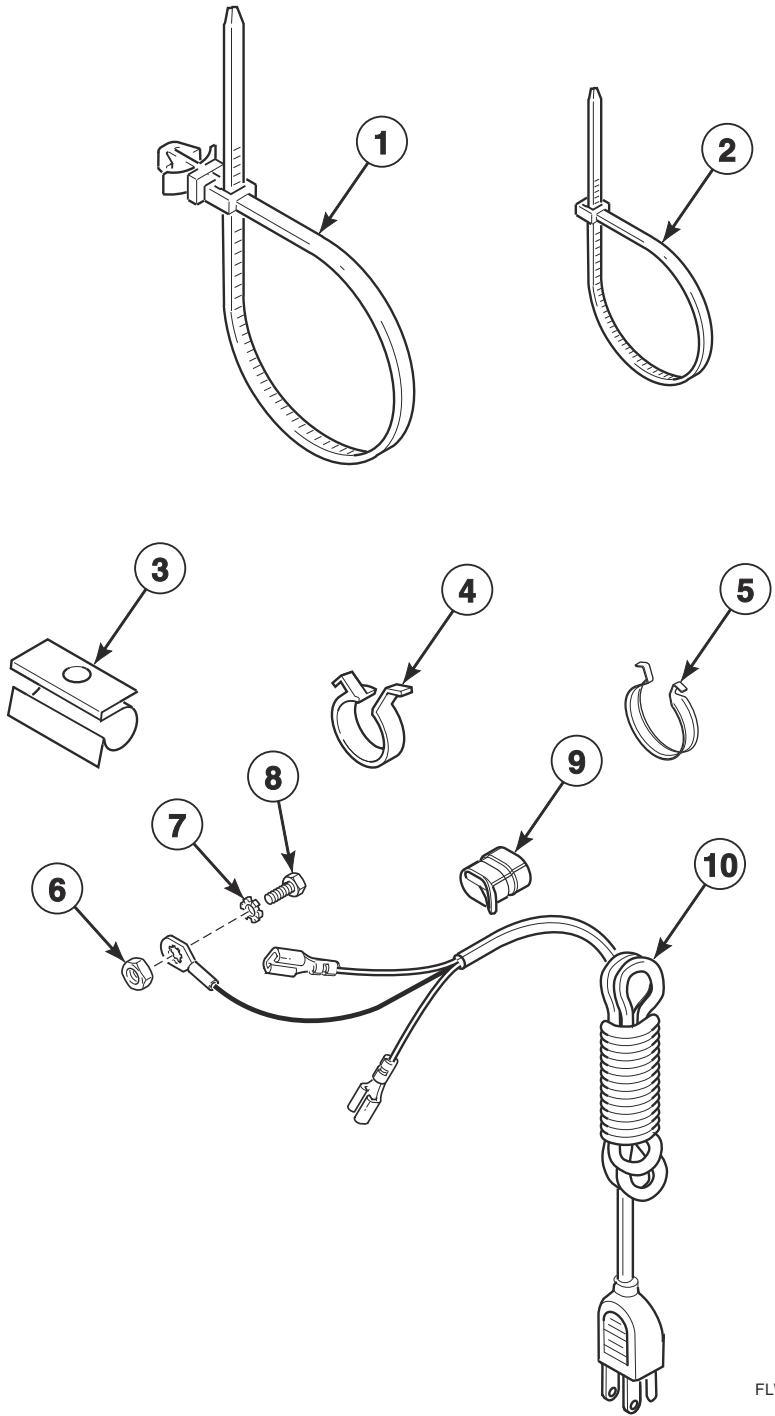


FLW1733P_806105

Special Tools

REF	PART NO.	DESCRIPTION	COMMENTS
1	802336	Pulley Bolt Tightening Fixture	Use to install inner basket
2	392P4	Wrench	Use for adjusting leveling leg nuts

Washer Lead-In Cord, Wire Ties and Harness Clips



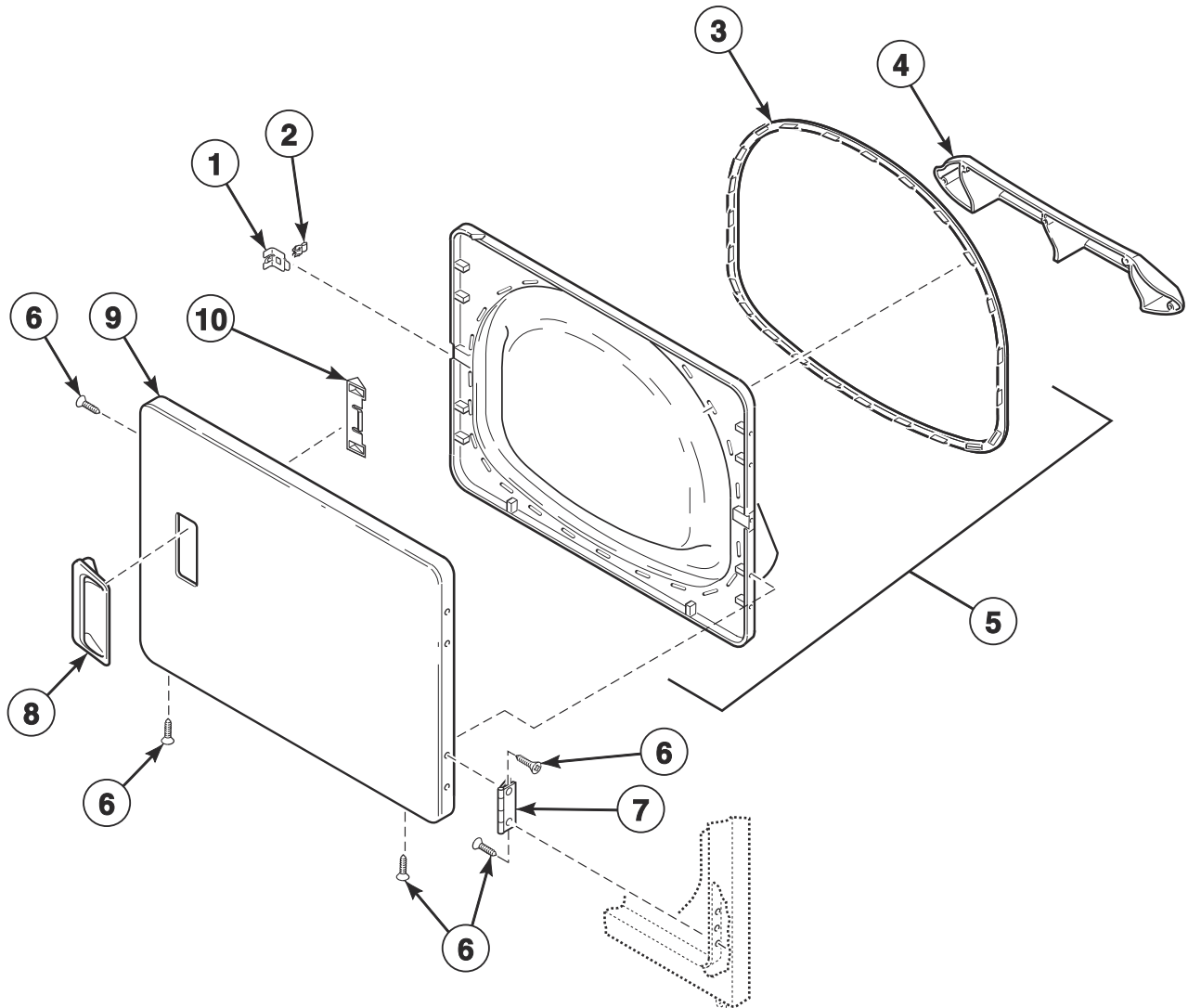
FLW823P_806105

Washer Lead-In Cord, Wire Ties and Harness Clips

REF	PART NO.	DESCRIPTION	COMMENTS		
1	38663	Wire Tie			
2	55881	Harness Strap			
3	36985	Hose Clip			
4	D504034	Wire Clip	Small		
5	687500	Wire Clip	Large		
6	03673	Nut			
7	03815	Washer			
8	20530	Screw			
9	806511	Strain Relief	Models ATHE9ASP453NW29, TTHE5ASP303NW36 and TTPE5ASP303NW36		
	806508	Strain Relief Plate	Models ATHE9ASP453NW29, TTHE5ASP303NW36 and TTPE5ASP303NW36		
	38384	Strain Relief	All other models		
10	202777	Lead-In Cord	Models BTEE6ASP173TW01, BTGE6ASP113TW01, LTEA5FSP153TW01, LTEA5FSP153TW04, LTEA5FSP173TW01, LTEA5FSP173TW04, LTEE5ASP153TW01, LTEE5ASP155TW01, LTEE5ASP173TW01, LTEE5ASP175TW01, LTEE5FSP175TW01, LTEE5FSP275TW01, LTGA5FSP113TW01, LTGE5ASP113TW01, LTGE5ASP115TW01, LTGE5FSP115TW01, PTEE3FSP173TG01, PTEE3FSP175TG01, PTEE3FSP175TW01, PTEE3FSP283CG01, PTEE3FSP285CG01, PTGE3FSP093CG01, PTGE3FSP095CG01, PTGE3FSP113TG01, PTGE3FSP115TG01, PTGE3FSP115TW01, UTEE5ASP173TW01, UTEE5ASP173TW08, UTEE5ASP175TW01, UTEE5ASP175TW08, UTGE5ASP113TW01, UTGE5ASP113TW08, UTGE5ASP115TW01, UTGE5ASP115TW08, YTEE5ASP173TW01, YTEE5ASP175TW01, YTGE5ASP113TW01 and YTGE5ASP115TW01		
			806179	Power Cord Assembly	Models ATEE9ASG455NW36 and ATHE9ASP453NW29
			807034	Lead-In Cord	Models TTHE5ASP303NW36 and TTPE5ASP303NW36
			808050	Lead-In Cord	Models LTEE5ASP135MW01 and LTGE5ASP125MW01

Dryer Door Without Window

Models ATEE9ASP133DN04, ATEE9ASP285CW01, ATEE9ASP285CW14, ATEE9ASP455LN01, ATEE9ASP543DN04, ATGE9ASP095CW01, ATGE9ASP095CW14, ATGE9ASP123DN04, ATGE9ASP543DN04, LTEE5AGP133ZW30, PTEE3FSP173TG01, PTEE3FSP175TG01, PTEE3FSP175TW01, PTEE3FSP283CG01, PTEE3FSP285CG01, PTEE3FSP433AG01, PTGE3FSP093CG01, PTGE3FSP095CG01, PTGE3FSP113TG01, PTGE3FSP115TG01, PTGE3FSP115TW01, PTGE3FSP303AG01, ZTEE9ASP286CW01 and ZTGE9ASP096CW01



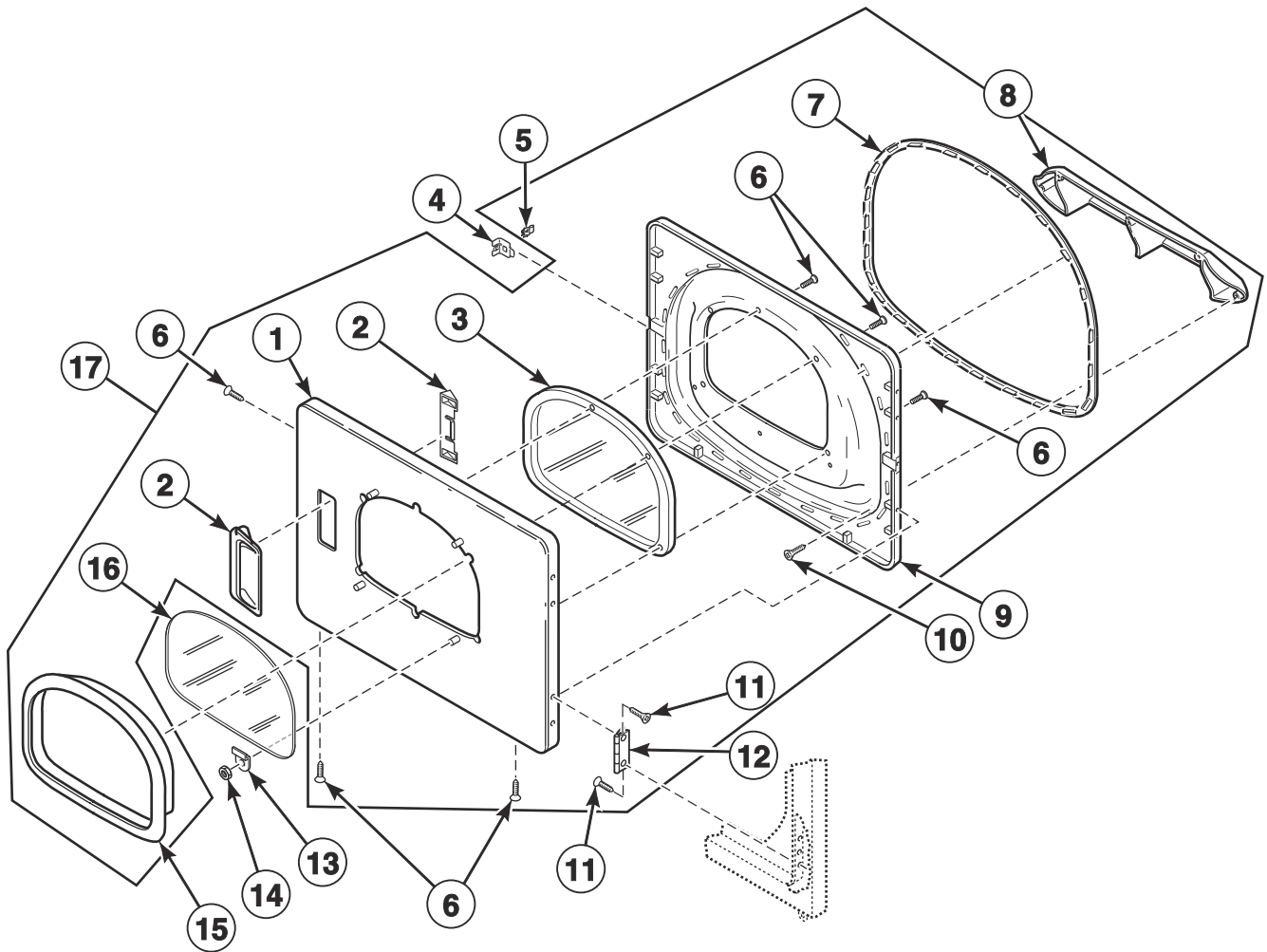
DRY2468P_806105

Dryer Door Without Window

REF	PART NO.	DESCRIPTION	COMMENTS
1	D510127	Door Strike Mount	All models except ATEE9ASP285CW01, ATEE9ASP285CW14, ATGE9ASP095CW01, ATGE9ASP095CW14, ZTEE9ASP286CW01 and ZTGE9ASP096CW01
2	D510181	Door Strike	
3	D510147P	Liner Door Seal	All models except ATEE9ASP285CW01, ATEE9ASP285CW14, ATGE9ASP095CW01, ATGE9ASP095CW14, ZTEE9ASP286CW01 and ZTGE9ASP096CW01
4	D503870W	Door Liner Grill	Models ATEE9ASP285CW01, ATEE9ASP285CW14, ATGE9ASP095CW01, ATGE9ASP095CW14, ZTEE9ASP286CW01 and ZTGE9ASP096CW01
	D503870LG	Door Liner Grill	Model ATEE9ASP455LN01
5	D510163WP	Liner, Seal and Grill Assembly	Includes item 3 and grill; Models LTEE5AGP133ZW30, PTEE3FSP433AG01 and PTGE3FSP303AG01 ATEE9ASP285CW01, ATEE9ASP285CW14, ATGE9ASP095CW01, ATGE9ASP095CW14, LTEE5AGP133ZW30, PTEE3FSP433AG01, PTGE3FSP303AG01, ZTEE9ASP286CW01 and ZTGE9ASP096CW01; Model PTGE3FSP113TG01 through Serial No. 1606000838
	D516510WP	Door Assembly	Includes item 3 and grill; Models ATEE9ASP133DN04, ATEE9ASP543DN04, ATGE9ASP123DN04, ATGE9ASP543DN04, PTEE3FSP173TG01, PTEE3FSP175TG01, PTEE3FSP175TW01, PTEE3FSP283CG01, PTEE3FSP285CG01, PTGE3FSP093CG01, PTGE3FSP095CG01, PTGE3FSP115TG01 and PTGE3FSP115TW01; Model PTGE3FSP113TG01 starting Serial No. 1606000839
	D516508	Door Liner Assembly	Includes seal; Models ATEE9ASP285CW01, ATEE9ASP285CW14, ATEE9ASP455LN01, ATGE9ASP095CW01, ATGE9ASP095CW14, ZTEE9ASP286CW01 and ZTGE9ASP096CW01
6	D500226	Screw	
7	D511036	Hinge	
8	D512947	Door Pull	Light gray
	D511213P	Door Pull and Wedge Kit	Black; Includes item 10
	D510103WP	Door Pull and Wedge Kit	Models ATEE9ASP285CW01, ATEE9ASP285CW14, ATGE9ASP095CW01, ATGE9ASP095CW14, ZTEE9ASP286CW01 and ZTGE9ASP096CW01; Includes item 10
9	D515960W	Dryer Door	Models ATEE9ASP285CW01, ATEE9ASP285CW14, ATGE9ASP095CW01, ATGE9ASP095CW14, ZTEE9ASP286CW01 and ZTGE9ASP096CW01
	D515963	Dryer Door	Stainless steel; Model ATEE9ASP455LN01
	D510013DG	Dryer Door	Dark gray; All other models
	D510013WP	Dryer Door	White; All other models
	D512969	Dryer Door	Stainless steel; All other models
10	D510129W	Door Handle Wedge	Models LTEE5AGP133ZW30, PTEE3FSP433AG01 and PTGE3FSP303AG01 ATEE9ASP285CW01, ATEE9ASP285CW14, ATGE9ASP095CW01, LTEE5AGP133ZW30, PTEE3FSP433AG01, PTGE3FSP303AG01, ZTEE9ASP286CW01 and ZTGE9ASP096CW01; Model PTGE3FSP113TG01 through Serial No. 1606000838
	D510103WP	Door Pull and Wedge Kit	Models ATEE9ASP133DN04, ATEE9ASP543DN04, ATGE9ASP123DN04, ATGE9ASP543DN04, PTEE3FSP173TG01, PTEE3FSP175TG01, PTEE3FSP175TW01, PTEE3FSP283CG01, PTEE3FSP285CG01, PTGE3FSP093CG01, PTGE3FSP095CG01, PTGE3FSP115TG01 and PTGE3FSP115TW01; Model PTGE3FSP113TG01 starting Serial No. 1606000839

Dryer Door With Window (Drawing 1 of 2)

Models ATEE9ASP283CW01, ATGE9ASP093CW01, BTEE6ASP173TW01, BTEE6ASP283CW01, LTEA5FSP153TW01, LTEA5FSP153TW04, LTEA5FSP173TW01, LTEA5FSP173TW04, LTEE5ASP135MW01, LTEE5ASP153TW01, LTEE5ASP155TW01, LTEE5ASP173TW01, LTEE5ASP175TW01, LTEE5ASP283CW01, LTEE5ASP285CW01, LTEE5ASP293CW01, LTEE5ASP295CW01, LTEE5FSP175TW01, LTEE5FSP275TW01, LTGE5ASP093CW01, LTGE5ASP095CW01, LTGE5FSP115TW01, UTEE5ASP173TW01, UTEE5ASP173TW08, UTEE5ASP175TW01, UTEE5ASP175TW08, UTEE5ASP283CW01, UTEE5ASP285CW01, YTEE5ASP173TW01, YTEE5ASP175TW01, YTEE5ASP283CW01 and YTEE5ASP285CW01



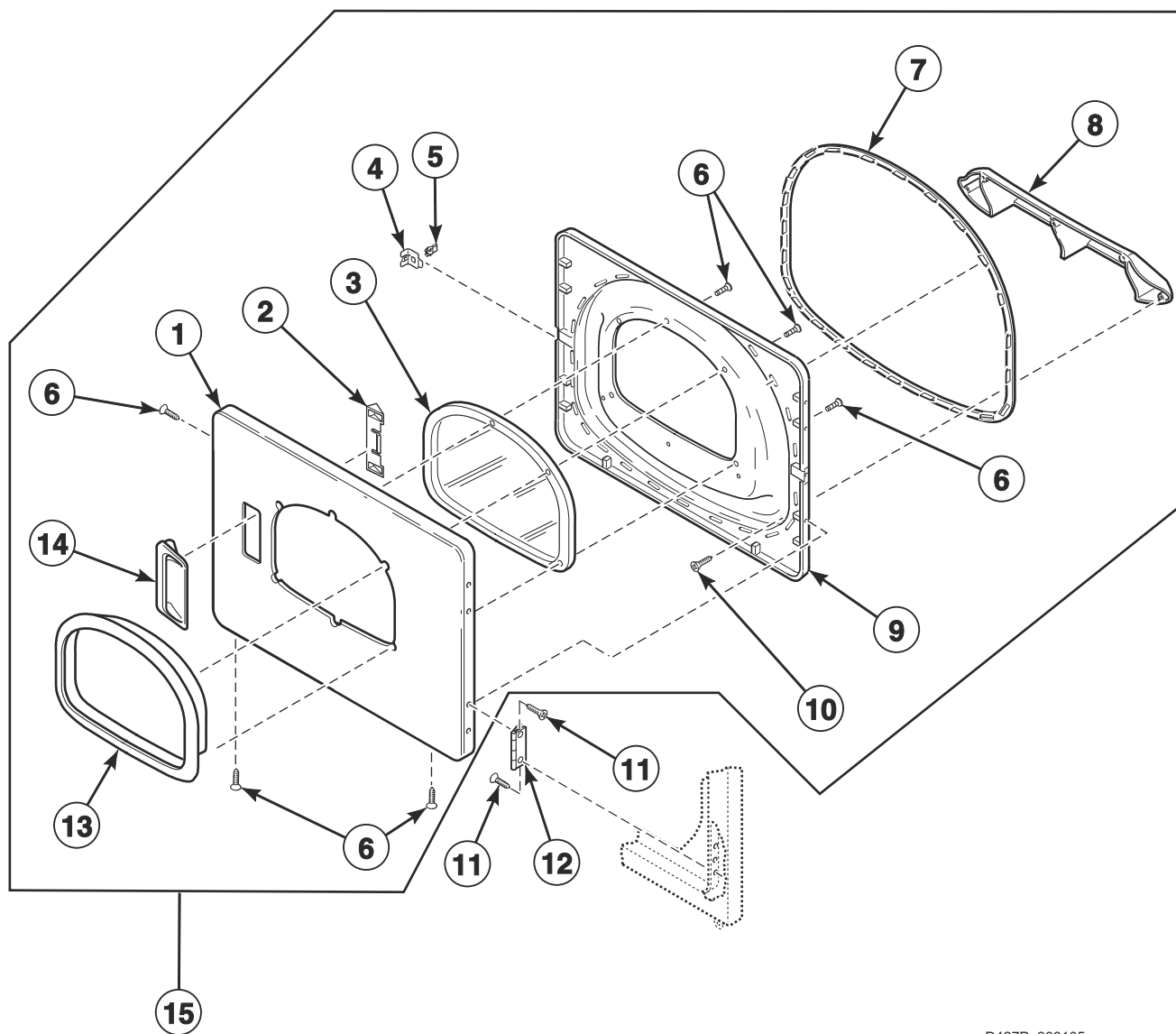
DRY2296P_806105

Dryer Door With Window (Drawing 1 of 2)

REF	PART NO.	DESCRIPTION	COMMENTS
1	D516737W	Door Assembly	Through Serial Nos. beginning 1707
	D515961W	Dryer Door	Starting Serial Nos. beginning 1707
2	D510103WP	Door Pull and Wedge Kit	
3	D503982P	Dryer Door Window	Through Serial Nos. beginning 1707
	D515681	Dryer Door Window	Glass; Starting Serial Nos. beginning 1707
4	D510127	Door Strike Mount	Through Serial Nos. beginning 1707
5	D510181	Door Strike	
6	D515597	Screw	Through Serial Nos. beginning 1707
	D515967	Screw	Starting Serial Nos. beginning 1707
7	D510147P	Liner Door Seal	Through Serial Nos. beginning 1707
	D515709	Liner Door Seal	Starting Serial Nos. beginning 1707
8	D503870LG	Door Liner Grill	Through Serial Nos. beginning 1707
	D503870W	Door Liner Grill	Starting Serial Nos. beginning 1707
9	D516737W	Door Assembly	Includes item 7; Through Serial Nos. beginning 1707
	D516509	Liner and Seal Assembly	Includes item 7; Starting Serial Nos. beginning 1707
10	D505870	Screw	
11	D505295	Screw	
12	D511036	Hinge	
13	D513958	Window Clip	Through Serial Nos. beginning 1707
14	44071201	Nut	Through Serial Nos. beginning 1707
15	D516737W	Door Assembly	Through Serial Nos. beginning 1707
	D515956W	Window Trim	Starting Serial Nos. beginning 1707
16	D516737W	Door Assembly	Through Serial Nos. beginning 1707
17	D516737W	Door Assembly	Includes items 1-3, 5-12, 15 and 16; Starting Serial Nos. beginning 1707

Dryer Door With Window (Drawing 2 of 2)

Models ATEE9AGP435AW01, ATEE9ASG453NW36, ATEE9ASG455NW36, ATEE9ASP133DW04, ATEE9ASP433XW34, ATEE9ASP435XW34, ATEE9ASP453LW26, ATEE9ASP455LW01, ATEE9ASP543DW04, ATEE9ASP545DW04, ATEE9ASP565XW01, ATEE9AWP433AW01, ATEE9AWP435AW01, ATGE9AGP305AW01, ATGE9ASP123DW04, ATGE9ASP125DW04, ATGE9ASP303XW01, ATGE9ASP303XW26, ATGE9ASP305XW01, ATGE9ASP543DW04, ATGE9ASP545DW04, ATGE9AWP303AW01, ATGE9AWP305AW01, ATHE9ASP453NW29, ATHE9ASP455NN29, ATHE9ASP455NW29, ATLE9ASP305LW01, FTEE5ASP303NW10, FTEE5ASP303ZW01, FTEE5ASP433LW01, FTGE5ASP303NW10, LTEE5ASP133FW01, LTEE5ASP303WW01, LTEE5ASP303WW37, LTEE5ASP303ZW01, LTEE5ASP333NW01, LTEE5ASP433AW01, LTEE5ASP433AW12, LTEE5ASP453VW26, LTEE5ASP543NW01, LTEE5ASP543NW23, LTEE5ASP543RW01, LTEE5ASP553KW01, LTGE5ASP113FW01, LTGE5ASP113JW01, LTGE5ASP303AW01, LTGE5ASP303AW12, LTLE5ASP303LW01, LTLE5ASP303NW35, LTLE5ASP543NW23, LTME5ASP543KW01, TTLE5ASP303NW36, TTPE5ASP303NW36, YTEE5ASP133FW01, YTEE5ASP303NW10, YTGE5ASP113FW01, YTGE5ASP303NW21, ZTHE9ASP455NN29 and ZTHE9ASP455NW29



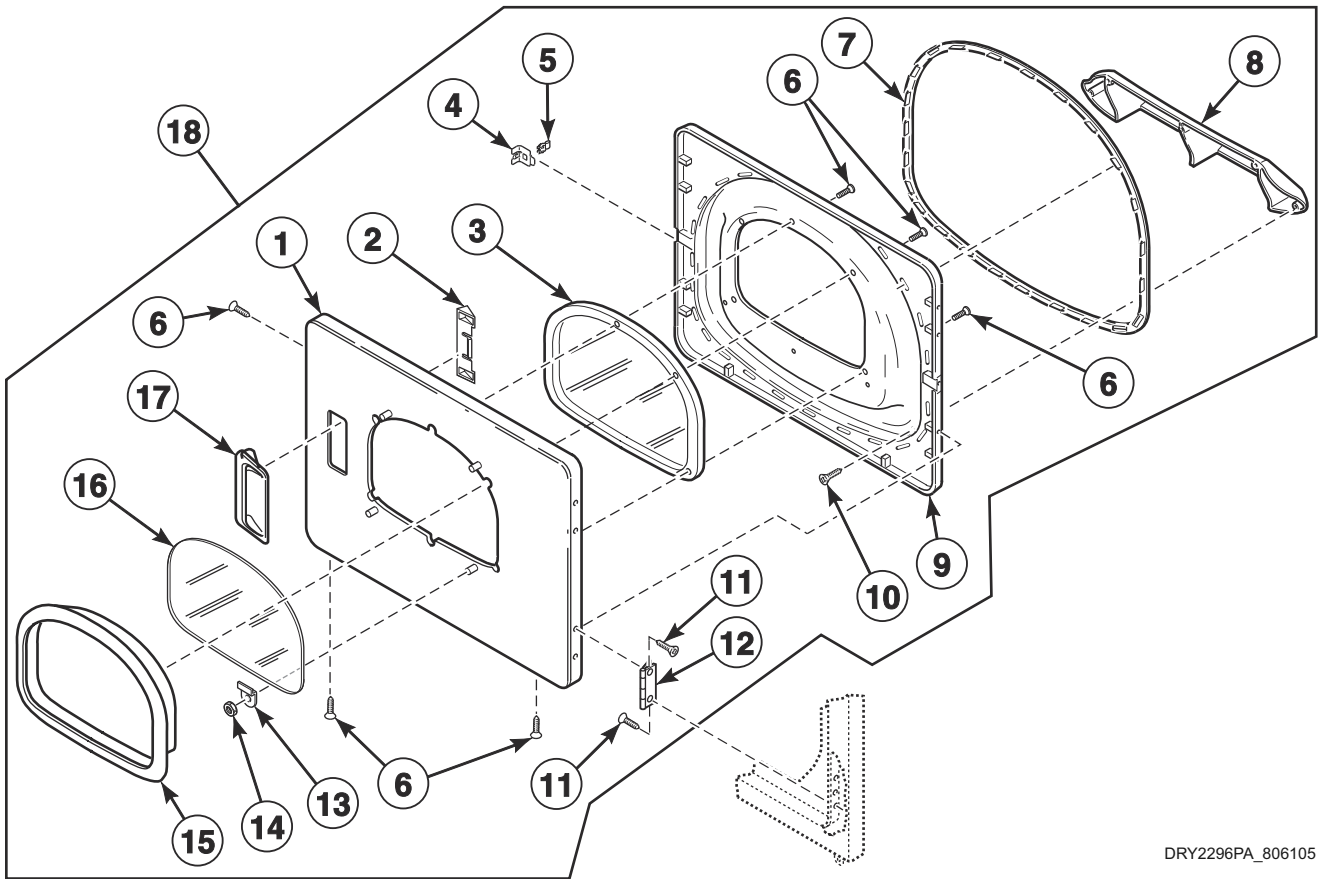
D427P_806105

Dryer Door With Window (Drawing 2 of 2)

REF	PART NO.	DESCRIPTION	COMMENTS
1	D510082WP	Dryer Door	Through Serial No.1706999999
	D515961W	Dryer Door	Starting Serial No.1707000001
2	D510129W	Door Handle Wedge	
3	D503982P	Dryer Door Window	Through Serial No.1706999999
	D515681	Dryer Door Window	Starting Serial No.1707000001
4	D510127	Door Strike Mount	Through Serial No.1706999999
5	D510181	Door Strike	
6	D500226	Screw	Through Serial No.1706999999
	D515967	Screw	Starting Serial No.1707000001
7	D510147P	Liner Door Seal	Through Serial No.1706999999
8	D503870W	Door Liner Grill	
9	D516509	Liner and Seal Assembly	
10	D505870	Screw	
11	D505295	Screw	
12	D511036	Hinge	
13	D503981W	Window Trim	Through Serial No.1706999999
14	D510103WP	Door Pull and Wedge Kit	White; Includes item 2
15	D516737W	Door Assembly	White; Includes items 1-10, 13, and 14

Dryer Door With Window - Through Serial Nos. Beginning 1707

Models BTGE6ASP093CW01, BTGE6ASP113TW01, LTGA5FSP113TW01, LTGE5ASP113TW01, LTGE5ASP115TW01, UTGE5ASP113TW01, UTGE5ASP113TW08, UTGE5ASP115TW01, UTGE5ASP115TW08, YTGE5ASP093CW01, YTGE5ASP095CW01, YTGE5ASP113TW01 and YTGE5ASP115TW01



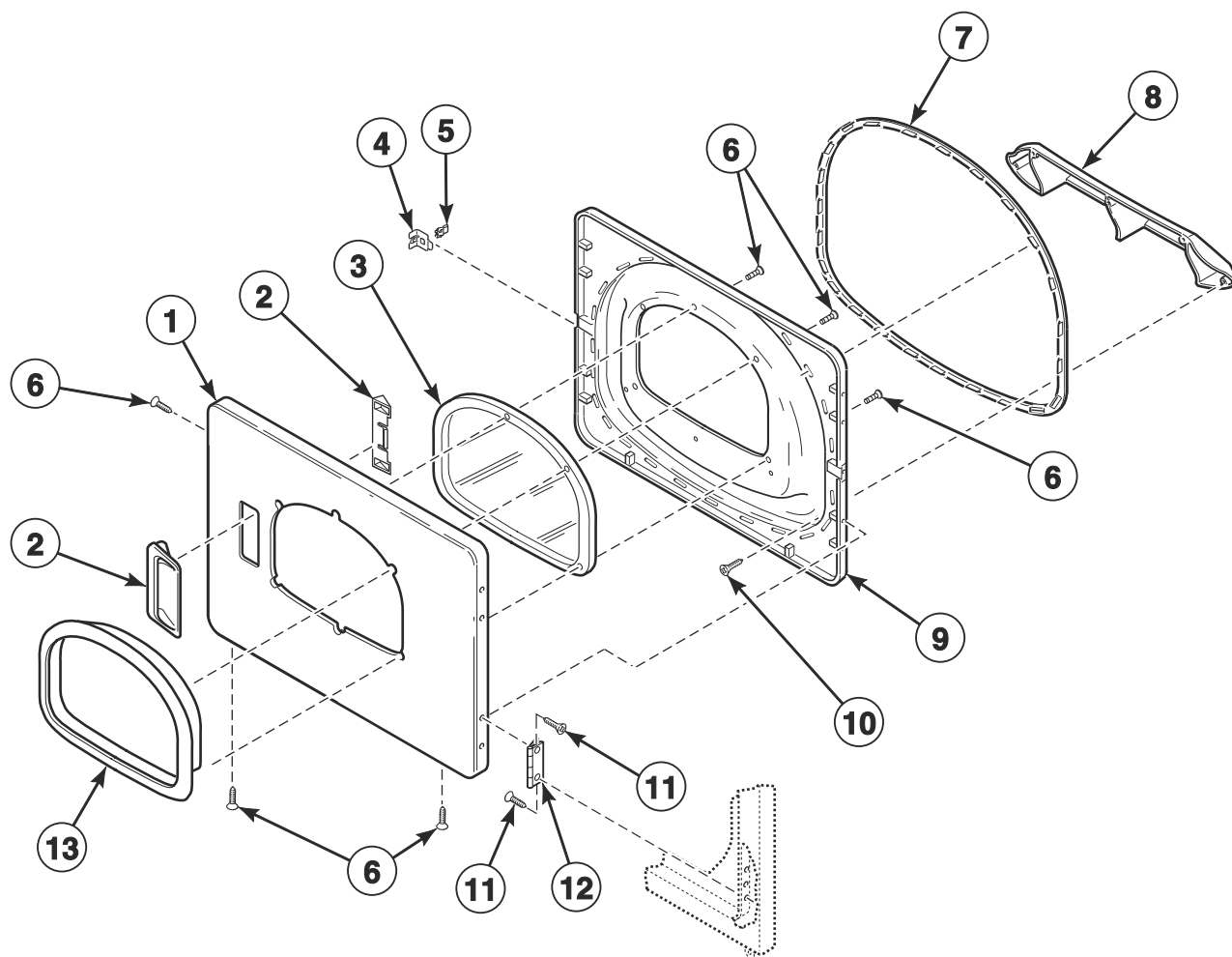
DRY2296PA_806105

Dryer Door With Window - Through Serial Nos. Beginning 1707

REF	PART NO.	DESCRIPTION	COMMENTS
1	D516737W	Door Assembly	Starting Serial No. 1606000839
	D510082WP	Dryer Door	Through Serial No. 1606000838
2	D510129W	Door Handle Wedge	
3	D503982P	Dryer Door Window	
4	D510127	Door Strike Mount	
5	D510181	Door Strike	
6	D515597	Screw	Starting Serial No. 1606000839
	D500226	Screw	Through Serial No. 1606000838
7	D510147P	Liner Door Seal	
8	D503870LG	Door Liner Grill	Starting Serial No. 1606000839
	D503870W	Door Liner Grill	Through Serial No. 1606000838
9	D516737W	Door Assembly	Includes item 7; Starting Serial No. 1606000839
	D516509	Liner and Seal Assembly	Includes item 7; Through Serial No. 1606000838
10	D505870	Screw	
11	D505295	Screw	
12	D511036	Hinge	
13	D513958	Window Clip	Starting Serial No. 1606000839
14	44071201	Nut	Starting Serial No. 1606000839
15	D516737W	Door Assembly	Starting Serial No. 1606000839
	D503981W	Window Trim	Through Serial No. 1606000838
16	D516737W	Door Assembly	Starting Serial No. 1606000839
17	D510103WP	Door Pull and Wedge Kit	White; Includes item 2
18	D516737W	Door Assembly	White; Includes items 1-10 and 17; Through Serial No. 1606000838

Dryer Door With Window - Starting Serial Nos. Beginning 1707

Models BTGE6ASP093CW01, BTGE6ASP113TW01, LTGA5FSP113TW01, LTGE5ASP113TW01, LTGE5ASP115TW01, LTGE5ASP125MW01, UTGE5ASP113TW01, UTGE5ASP113TW08, UTGE5ASP115TW01, UTGE5ASP115TW08, YTGE5ASP093CW01, YTGE5ASP095CW01, YTGE5ASP113TW01 and YTGE5ASP115TW01



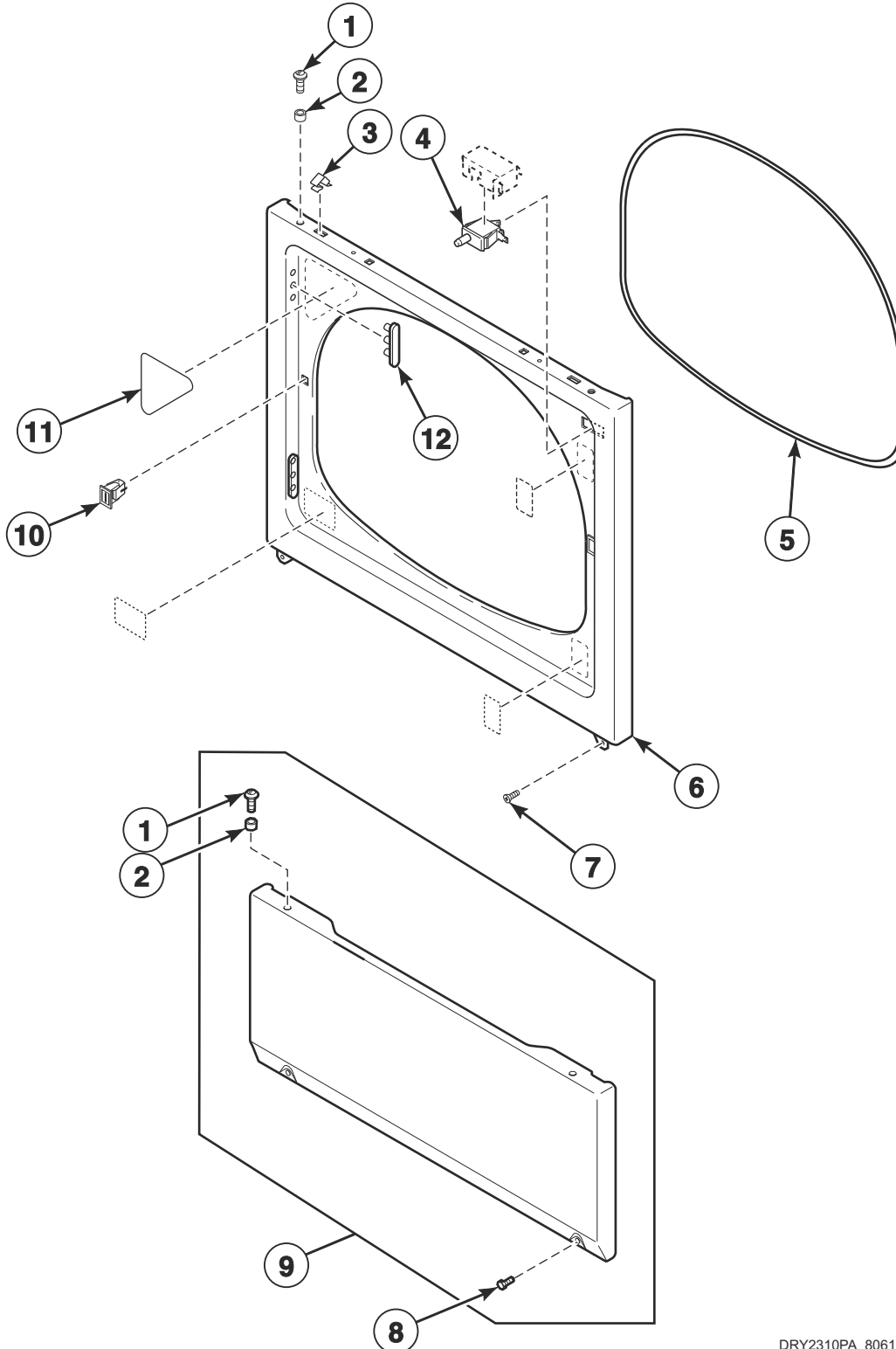
D427PA_806105

Dryer Door With Window - Starting Serial Nos. Beginning 1707

REF	PART NO.	DESCRIPTION	COMMENTS
1	D515961W	Dryer Door	
2	D510103WP	Door Pull and Wedge Kit	
3	D515681	Dryer Door Window	
4	D510127	Door Strike Mount	
5	D510181	Door Strike	
6	D515967	Screw	
7	D515709	Liner Door Seal	
8	D503870W	Door Liner Grill	
9	D516509	Liner and Seal Assembly	Includes item 7
10	D505870	Screw	
11	D505295	Screw	
12	D511036	Hinge	
13	D515956W	Window Trim	

Access Panel, Front Panel and Seal (Drawing 1 of 5)

Models ATEE9ASP283CW01, ATGE9ASP093CW01, BTEE6ASP173TW01, BTEE6ASP283CW01, BTGE6ASP093CW01, BTGE6ASP113TW01, LTEA5FSP153TW01, LTEA5FSP153TW04, LTEA5FSP173TW01, LTEA5FSP173TW04, LTEE5ASP153TW01, LTEE5ASP173TW01, LTEE5ASP283CW01, LTEE5ASP293CW01, LTGA5FSP113TW01, LTGE5ASP093CW01, LTGE5ASP113TW01, PTEE3FSP173TG01, PTEE3FSP283CG01, PTGE3FSP093CG01, PTGE3FSP113TG01, UTEE5ASP173TW01, UTEE5ASP173TW08, UTEE5ASP283CW01, UTGE5ASP113TW01, UTGE5ASP113TW08, YTEE5ASP173TW01, YTEE5ASP283CW01, YTGE5ASP093CW01 and YTGE5ASP113TW01



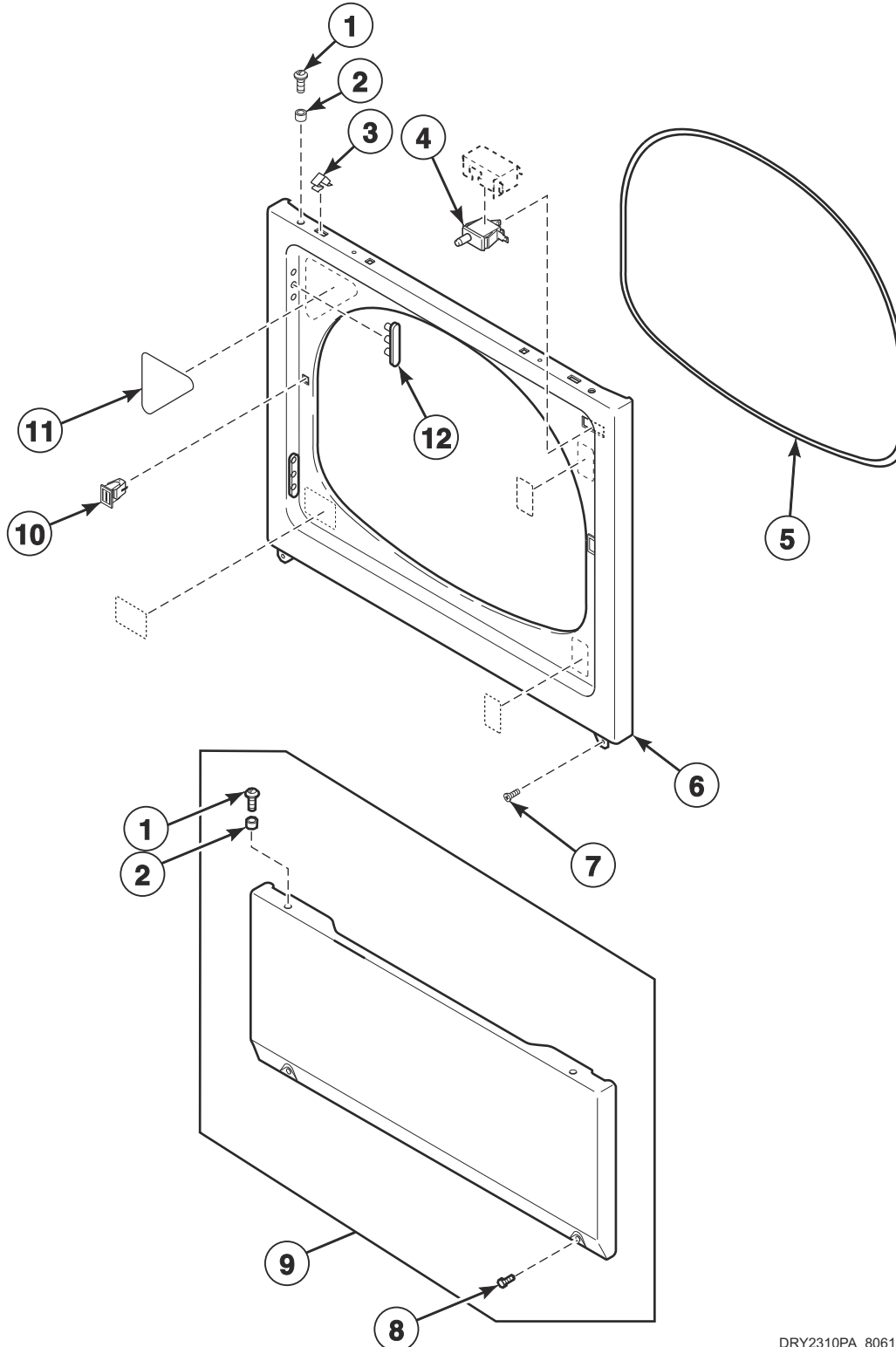
DRY2310PA_806105

Access Panel, Front Panel and Seal (Drawing 1 of 5)

REF	PART NO.	DESCRIPTION	COMMENTS
1	39733	Screw	
2	56079	Panel Locator	
3	28835	Speed Clip	
4	D512973	Switch	
5	D511056	Front Panel Seal	
6	D510066WP	Front Panel	White
	D510066DG	Front Panel	Gray
7	D503688	Screw	
8	33562	Screw	
9	D514250WP	Access Panel Assembly	White; Models ATEE9ASP283CW01, ATGE9ASP093CW01, BTEE6ASP173TW01, BTEE6ASP283CW01, BTGE6ASP093CW01, BTGE6ASP113TW01, LTEA5FSP153TW01, LTEA5FSP153TW04, LTEA5FSP173TW01, LTEA5FSP173TW04, LTEE5ASP153TW01, LTEE5ASP173TW01, LTEE5ASP283CW01, LTEE5ASP293CW01, LTGA5FSP113TW01, LTGE5ASP093CW01, LTGE5ASP113TW01, UTEE5ASP173TW01, UTEE5ASP173TW08, UTEE5ASP283CW01, UTGE5ASP113TW01, UTGE5ASP113TW08, YTEE5ASP173TW01, YTEE5ASP283CW01, YTGE5ASP093CW01 and YTGE5ASP113TW01
	D514252DG	Access Panel and Guard Assembly	Gray; Models PTEE3FSP173TG01, PTEE3FSP283CG01 and PTGE3FSP093CG01 through Serial Nos. beginning 1711; Model PTGE3FSP113TG01 starting Serial No. 1606000839 and continuing through Serial Nos. beginning 1711
	D514250DG	Access Panel Assembly	Models PTEE3FSP173TG01, PTEE3FSP283CG01 and PTGE3FSP093CG01 starting Serial Nos. beginning 1711; Model PTGE3FSP113TG01 through Serial No. 1606000838 and starting again with Serial Nos. beginning 1711
10	D510177	Door Catch Assembly	
11	D500281	Warning/Caution Label	English
12	D510186	Hinge Hole Plug	

Access Panel, Front Panel and Seal (Drawing 2 of 5)

Models ATEE9ASP285CW01, ATEE9ASP285CW14, ATGE9ASP095CW01, ATGE9ASP095CW14, LTEE5ASP155TW01, LTEE5ASP175TW01, LTEE5ASP285CW01, LTEE5ASP295CW01, LTEE5FSP175TW01, LTEE5FSP275TW01, LTGE5ASP095CW01, LTGE5ASP115TW01, LTGE5FSP115TW01, PTEE3FSP175TG01, PTEE3FSP175TW01, PTEE3FSP285CG01, PTGE3FSP095CG01, PTGE3FSP115TG01, PTGE3FSP115TW01, UTEE5ASP175TW01, UTEE5ASP175TW08, UTEE5ASP285CW01, UTGE5ASP115TW01, UTGE5ASP115TW08, YTEE5ASP175TW01, YTEE5ASP285CW01, YTGE5ASP095CW01, YTGE5ASP115TW01, ZTEE9ASP286CW01 and ZTGE9ASP096CW01



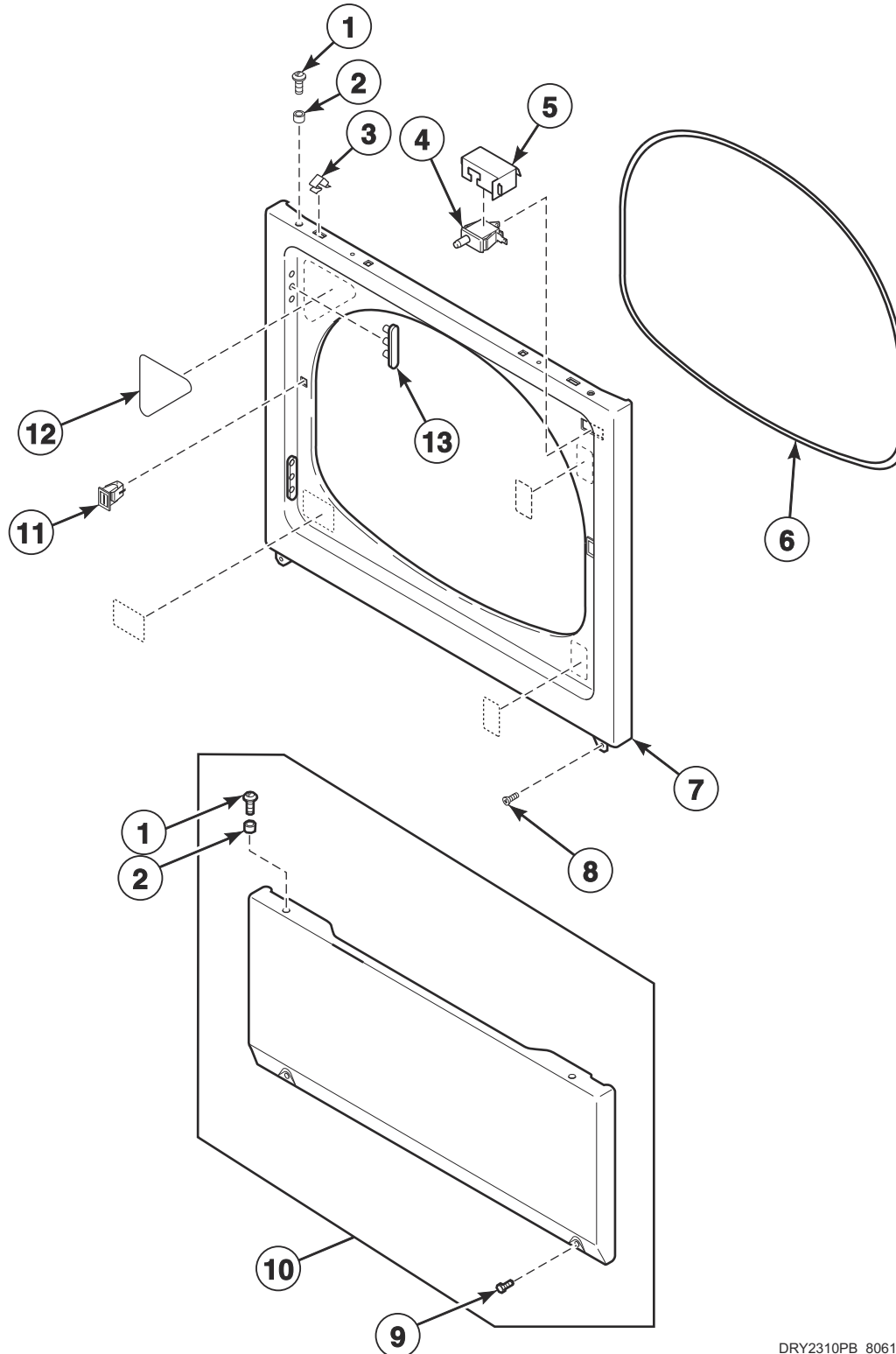
DRY2310PA_806105

Access Panel, Front Panel and Seal (Drawing 2 of 5)

REF	PART NO.	DESCRIPTION	COMMENTS
1	39733	Screw	
2	56079	Panel Locator	
3	28835	Speed Clip	
4	D512973	Switch	
5	D511056	Front Panel Seal	
6	D510066WP	Front Panel	White
	D510066DG	Front Panel	Gray
7	D503688	Screw	
8	33562	Screw	
9	D514250DG	Access Panel Assembly	Gray; Models PTEE3FSP175TG01, PTEE3FSP285CG01, PTGE3FSP095CG01 and PTGE3FSP115TG01
	D514250WP	Access Panel Assembly	White; All other models
10	D510177	Door Catch Assembly	
11	D500281	Warning/Caution Label	English
12	D510186	Hinge Hole Plug	

Access Panel, Front Panel and Seal (Drawing 3 of 5)

Models ATEE9ASG453NW36, ATEE9ASG455NW36, ATEE9ASP133DN04, ATEE9ASP133DW04, ATEE9ASP433XW34, ATEE9ASP435XW34, ATEE9ASP453LW26, ATEE9ASP455LN01, ATEE9ASP455LW01, ATEE9ASP543DN04, ATEE9ASP543DW04, ATEE9ASP545DW04, ATEE9ASP565XW01, ATGE9ASP123DN04, ATGE9ASP123DW04, ATGE9ASP125DW04, ATGE9ASP303XW01, ATGE9ASP303XW26, ATGE9ASP305XW01, ATGE9ASP543DN04, ATGE9ASP543DW04, ATGE9ASP545DW04, ATHE9ASP453NW29, ATHE9ASP455NN29, ATHE9ASP455NW29, LTEE5ASP135MW01, LTGE5ASP125MW01, ZTHE9ASP455NN29 and ZTHE9ASP455NW29



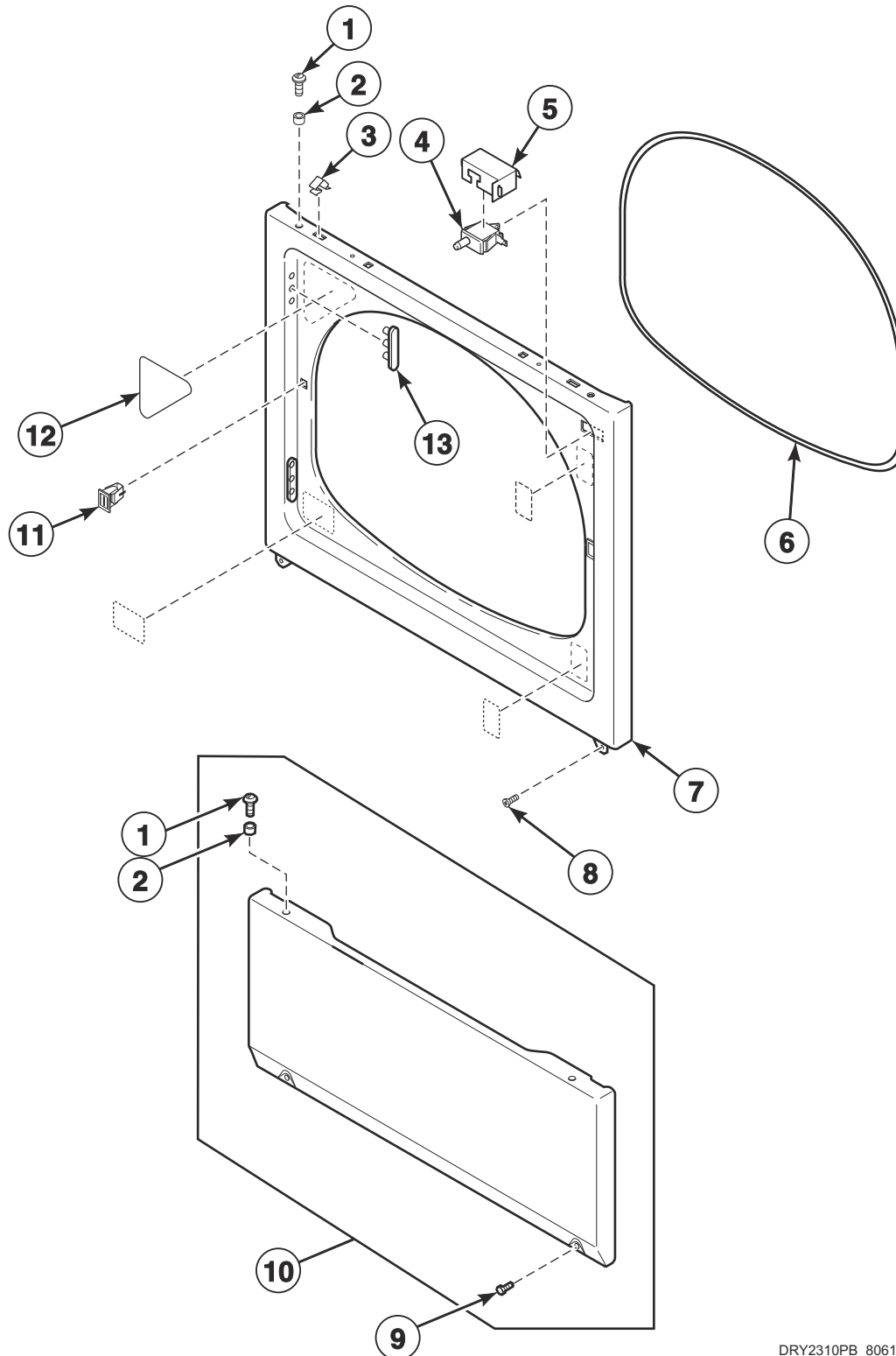
DRY2310PB_806105

Access Panel, Front Panel and Seal (Drawing 3 of 5)

REF	PART NO.	DESCRIPTION	COMMENTS
1	39733	Screw	Use with painted panels
	806276	Screw	Use with stainless steel panels
2	56079	Panel Locator	
3	28835	Speed Clip	
4	D512973	Switch	
5	D514327	Drip Shield	
6	D511056	Front Panel Seal	
7	D510066WP	Front Panel	White
	D510066DG	Front Panel	Gray
	D512542	Front Panel	Stainless steel
8	D503688	Screw	Use with painted panels
	D512921	Screw	Use with stainless steel panels
9	33562	Screw	Use with painted panels
	D512921	Screw	Use with stainless steel panels
10	D514251	Access Panel Assembly	Stainless steel; Models ATEE9ASP133DN04, ATEE9ASP455LN01, ATEE9ASP543DN04, ATGE9ASP123DN04, ATGE9ASP543DN04, ATHE9ASP455NN29 and ZTHE9ASP455NN29
	D514250WP	Access Panel Assembly	White; All other models
11	D510177	Door Catch Assembly	
12	D500281	Warning/Caution Label	English
	D514226	Warning Label	Brazilian Portuguese
	D514867	Warning Label	Thai
	D514866	Warning Label	Japanese
	D514410	Warning Label	Arabic
	D514863	Front Panel Label	Chinese
	D514864	Front Panel Label	Korean
13	D510186	Hinge Hole Plug	

Access Panel, Front Panel and Seal (Drawing 4 of 5)

Models ATLE9ASP305LW01, FTEE5ASP303NW10, FTEE5ASP303ZW01, FTGE5ASP303NW10, LTEE5AGP133ZW30, LTEE5ASP133FW01, LTEE5ASP303WW01, LTEE5ASP303WW37, LTEE5ASP303ZW01, LTEE5ASP333NW01, LTEE5ASP453VW26, LTEE5ASP543NW01, LTEE5ASP543NW23, LTEE5ASP543RW01, LTEE5ASP553KW01, LTGE5ASP113FW01, LTGE5ASP113JW01, LTLE5ASP303LW01, LTLE5ASP303NW35, LTLE5ASP543NW23, LTME5ASP543KW01, TTHE5ASP303NW36, TTPE5ASP303NW36, YTEE5ASP133FW01, YTEE5ASP303NW10 and YTGE5ASP113FW01



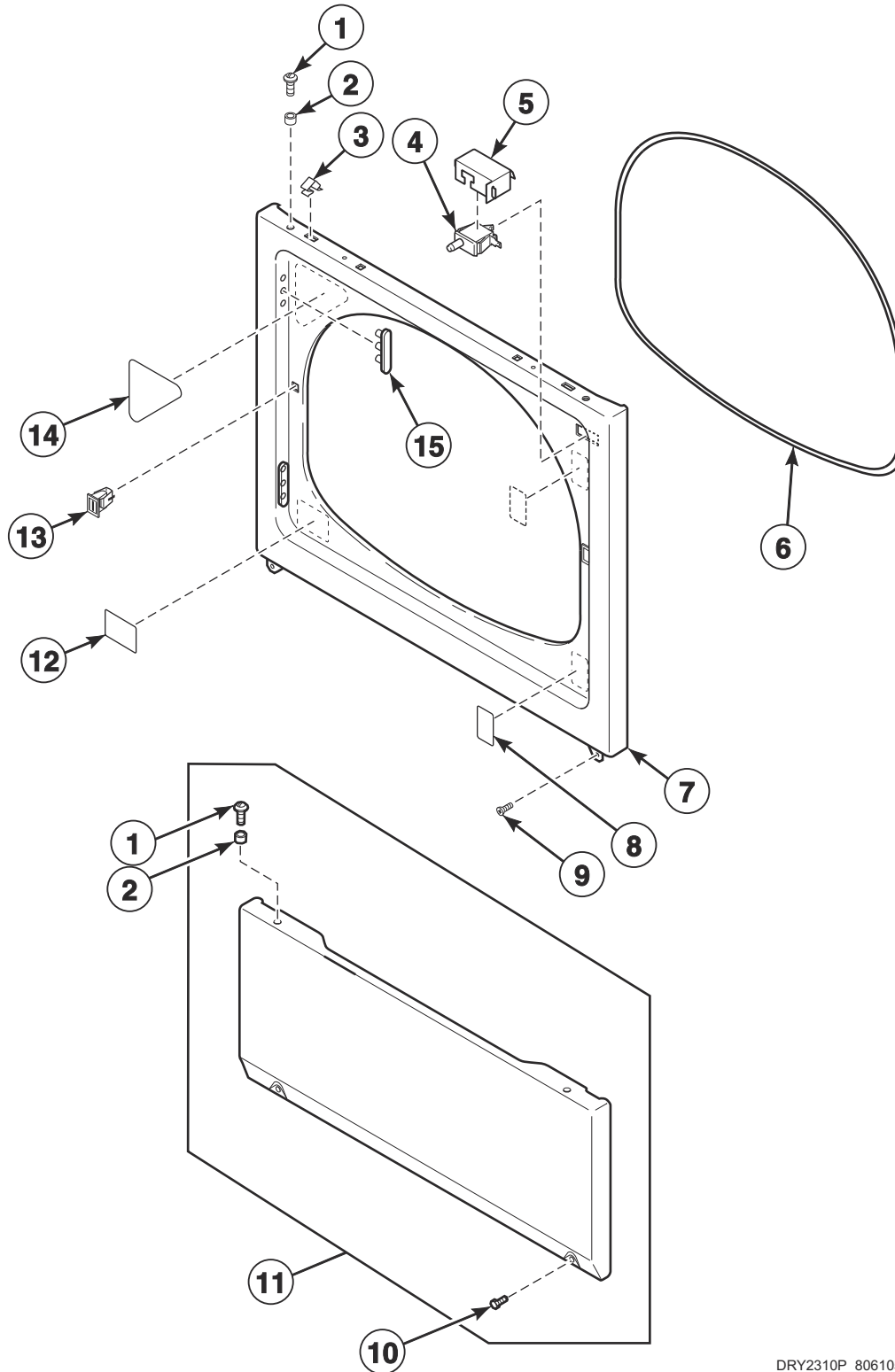
DRY2310PB_806105

Access Panel, Front Panel and Seal (Drawing 4 of 5)

REF	PART NO.	DESCRIPTION	COMMENTS
1	39733	Screw	Use with painted panels
	806276	Screw	Use with stainless steel panels
2	56079	Panel Locator	
3	28835	Speed Clip	
4	D512973	Switch	
5	D514327	Drip Shield	
6	D511056	Front Panel Seal	
7	D510066WP	Front Panel	White
	D510066DG	Front Panel	Gray
	D512542	Front Panel	Stainless steel
8	D503688	Screw	
9	33562	Screw	
10	D517012W	Access Panel Assembly	Model LTME5ASP543KW01
	D514250WP	Access Panel Assembly	White; All other models
11	D510177	Door Catch Assembly	
12	D500281	Warning/Caution Label	English
	D514226	Warning Label	Brazilian Portuguese
	D514867	Warning Label	Thai
	D514866	Warning Label	Japanese
	D514410	Warning Label	Arabic
	D514863	Front Panel Label	Chinese
	D514864	Front Panel Label	Korean
13	D510186	Hinge Hole Plug	

Access Panel, Front Panel and Seal (Drawing 5 of 5)

Models ATEE9AGP435AW01, ATEE9AWP433AW01, ATEE9AWP435AW01, ATGE9AGP305AW01, ATGE9AWP303AW01, ATGE9AWP305AW01, FTGE5ASP433LW01, LTEE5ASP433AW01, LTEE5ASP433AW12, LTGE5ASP303AW01, LTGE5ASP303AW12, PTEE3FSP433AG01, PTGE3FSP303AG01 and YTGE5ASP303NW21

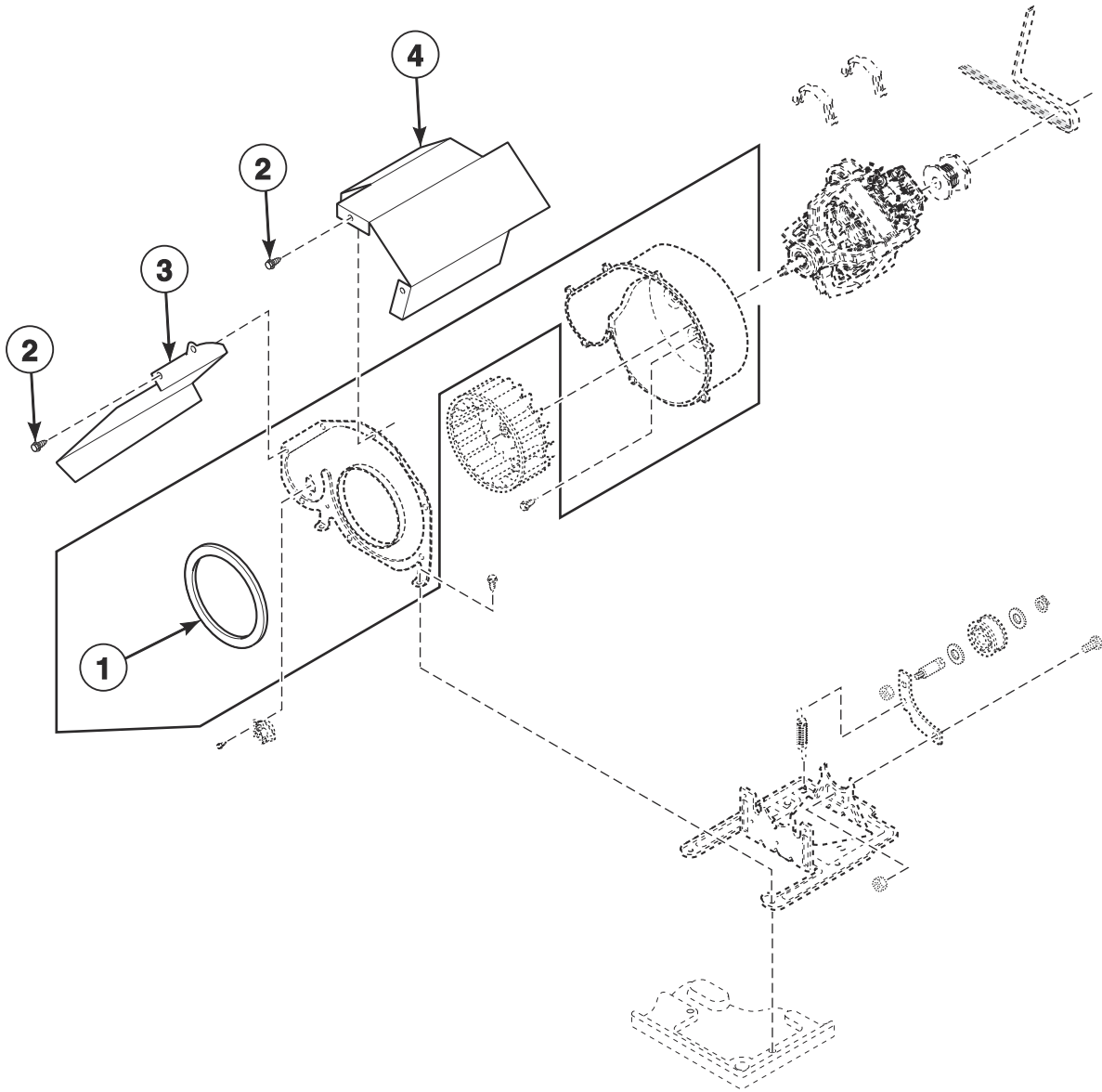


DRY2310P_806105

Access Panel, Front Panel and Seal (Drawing 5 of 5)

REF	PART NO.	DESCRIPTION	COMMENTS
1	39733	Screw	Use with painted panels
	806276	Screw	Use with stainless steel panels
2	56079	Panel Locator	
3	28835	Speed Clip	
4	D512973	Switch	
5	D514327	Drip Shield	All models except YTGE5ASP303NW21
6	D511056	Front Panel Seal	
7	D510066WP	Front Panel	White
	D510066DG	Front Panel	Gray
8	D512263	Warning Label	
9	D503688	Screw	
10	33562	Screw	
11	D514250DG	Access Panel Assembly	Models PTEE3FSP433AG01 and PTGE3FSP303AG01
	D514250WP	Access Panel Assembly	White; All other models
12	D502804	Lint Filter Label	
13	D510177	Door Catch Assembly	
14	D500281	Warning/Caution Label	English
	D514226	Warning Label	Brazilian Portuguese
	D514867	Warning Label	Thai
	D514866	Warning Label	Japanese
	D514410	Warning Label	Arabic
	D514863	Front Panel Label	Chinese
	D514864	Front Panel Label	Korean
15	D510186	Hinge Hole Plug	

Blower Housing and Shields (Drawing 1 of 2)

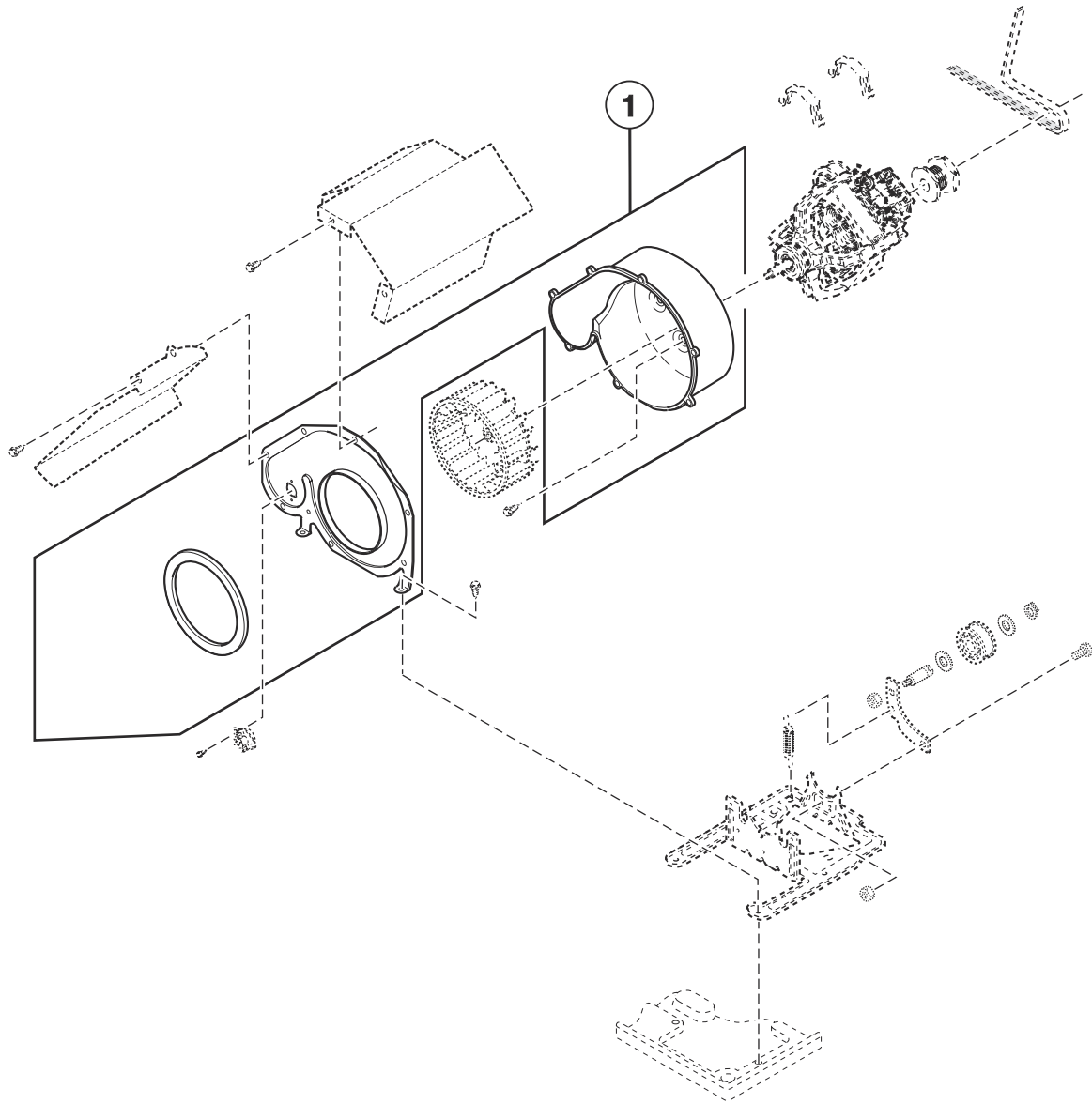


DRY2312P_806105

Blower Housing and Shields (Drawing 1 of 2)

REF	PART NO.	DESCRIPTION	COMMENTS
1	D510238P	Blower Housing Seal	
2	31260	Screw	
3	D514325	Thermostat Shield	Models ATEE9AGP435AW01, ATEE9ASP133DN04, ATEE9ASP133DW04, ATEE9ASP433XW34, ATEE9ASP435XW34, ATEE9ASP453LW26, ATEE9ASP455LN01, ATEE9ASP455LW01, ATEE9ASP543DN04, ATEE9ASP543DW04, ATEE9ASP545DW04, ATEE9ASP565XW01, ATEE9AWP433AW01, ATEE9AWP435AW01, ATGE9AGP305AW01, ATGE9ASP123DN04, ATGE9ASP123DW04, ATGE9ASP303XW01, ATGE9ASP303XW26, ATGE9ASP305XW01, ATGE9ASP543DN04, ATGE9ASP543DW04, ATGE9ASP545DW04, ATGE9AWP303AW01, ATGE9AWP305AW01, ATHE9ASP453NW29, ATHE9ASP455NN29, ATHE9ASP455NW29, ATLE9ASP305LW01, FTEE5ASP303ZW01, FTEE5ASP433LW01, LTEE5AGP133ZW30, LTEE5ASP133FW01, LTEE5ASP135MW01, LTEE5ASP303VW01, LTEE5ASP303VW37, LTEE5ASP303ZW01, LTEE5ASP433AW01, LTEE5ASP433AW12, LTEE5ASP453VW26, LTEE5ASP543RW01, LTEE5ASP553KW01, LTGE5ASP113FW01, LTGE5ASP113JW01, LTGE5ASP125MW01, LTGE5ASP303AW01, LTGE5ASP303AW12, LTLE5ASP303LW01, LTME5ASP543KW01, PTEE3FSP433AG01, PTGE3FSP303AG01, YTEE5ASP133FW01, YTGE5ASP113FW01, ZTHE9ASP455NN29 and ZTHE9ASP455NW29
4	D514602	Motor Shield	Models ATEE9AGP435AW01, ATEE9ASP133DN04, ATEE9ASP133DW04, ATEE9ASP433XW34, ATEE9ASP435XW34, ATEE9ASP453LW26, ATEE9ASP455LN01, ATEE9ASP455LW01, ATEE9ASP543DN04, ATEE9ASP543DW04, ATEE9ASP545DW04, ATEE9ASP565XW01, ATEE9AWP433AW01, ATEE9AWP435AW01, ATGE9AGP305AW01, ATGE9ASP123DN04, ATGE9ASP123DW04, ATGE9ASP303XW01, ATGE9ASP303XW26, ATGE9ASP305XW01, ATGE9ASP543DN04, ATGE9ASP543DW04, ATGE9ASP545DW04, ATGE9AWP303AW01, ATGE9AWP305AW01, ATHE9ASP453NW29, ATHE9ASP455NN29, ATHE9ASP455NW29, ATLE9ASP305LW01, FTEE5ASP303ZW01, FTEE5ASP433LW01, LTEE5AGP133ZW30, LTEE5ASP133FW01, LTEE5ASP135MW01, LTEE5ASP303VW01, LTEE5ASP303VW37, LTEE5ASP303ZW01, LTEE5ASP433AW01, LTEE5ASP433AW12, LTEE5ASP453VW26, LTEE5ASP543RW01, LTEE5ASP553KW01, LTGE5ASP113FW01, LTGE5ASP113JW01, LTGE5ASP125MW01, LTGE5ASP303AW01, LTGE5ASP303AW12, LTLE5ASP303LW01, LTME5ASP543KW01, PTEE3FSP433AG01, PTGE3FSP303AG01, YTEE5ASP133FW01, YTGE5ASP113FW01, ZTHE9ASP455NN29 and ZTHE9ASP455NW29

Blower Housing and Shields (Drawing 2 of 2)

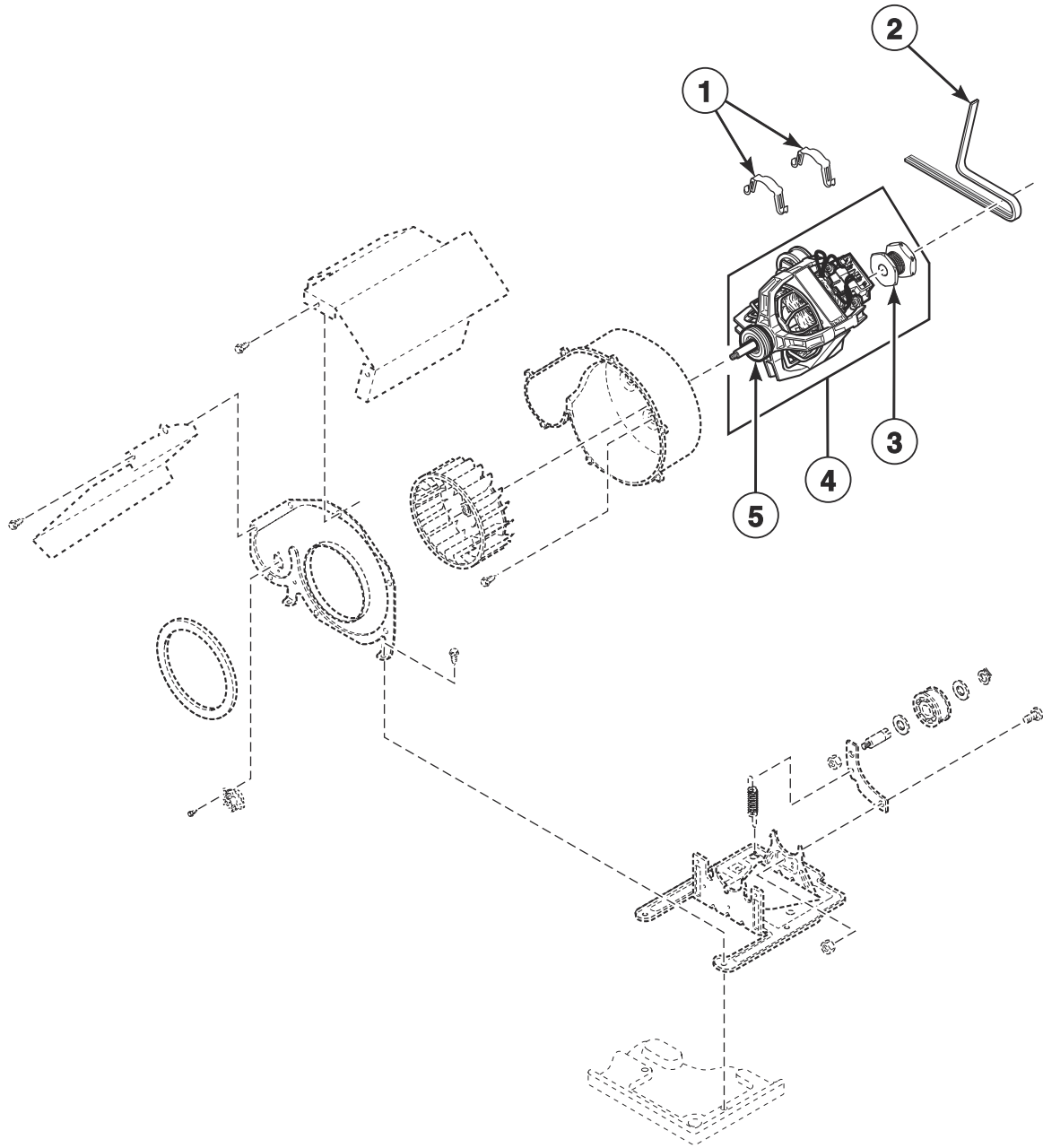


DRY2312PB_806105

Blower Housing and Shields (Drawing 2 of 2)

REF	PART NO.	DESCRIPTION	COMMENTS
1	D511969LG	Blower Housing	Models ATEE9ASP283CW01, ATGE9ASP093CW01, BTEE6ASP173TW01, BTEE6ASP283CW01, LTEA5FSP153TW01, LTEA5FSP153TW04, LTEA5FSP173TW01, LTEA5FSP173TW04, LTEE5ASP153TW01, LTEE5ASP173TW01, LTEE5ASP283CW01, LTEE5ASP293CW01, LTGE5ASP093CW01, PTEE3FSP173TG01, PTEE3FSP283CG01, PTGE3FSP093CG01, PTGE3FSP113TG01, UTEE5ASP173TW01, UTEE5ASP173TW08, UTEE5ASP283CW01, YTEE5ASP173TW01 and YTEE5ASP283CW01 through Serial Nos. beginning 1711; Models BTGE6ASP093CW01, BTGE6ASP113TW01, LTGA5FSP113TW01, LTGE5ASP113TW01, UTGE5ASP113TW01, UTGE5ASP113TW08, YTGE5ASP093CW01 and YTGE5ASP113TW01 starting Serial No. 1606000839 and continuing through Serial Nos. beginning 1711
	D511969WP	Blower Housing	Models ATEE9ASP283CW01, ATGE9ASP093CW01, BTEE6ASP173TW01, BTEE6ASP283CW01, LTEA5FSP153TW01, LTEA5FSP153TW04, LTEA5FSP173TW01, LTEA5FSP173TW04, LTEE5ASP153TW01, LTEE5ASP173TW01, LTEE5ASP283CW01, LTEE5ASP293CW01, LTGE5ASP093CW01, PTEE3FSP173TG01, PTEE3FSP283CG01, PTGE3FSP093CG01, PTGE3FSP113TG01, UTEE5ASP173TW01, UTEE5ASP173TW08, UTEE5ASP283CW01, YTEE5ASP173TW01 and YTEE5ASP283CW01 starting Serial Nos. beginning 1711; Models BTGE6ASP093CW01, BTGE6ASP113TW01, LTGA5FSP113TW01, LTGE5ASP113TW01, UTGE5ASP113TW01, UTGE5ASP113TW08, YTGE5ASP093CW01 and YTGE5ASP113TW01 through Serial No. 1606000838 and starting again with Serial Nos. beginning 1711; All other models

Motor, Exhaust Fan and Belt (Drawing 1 of 2)

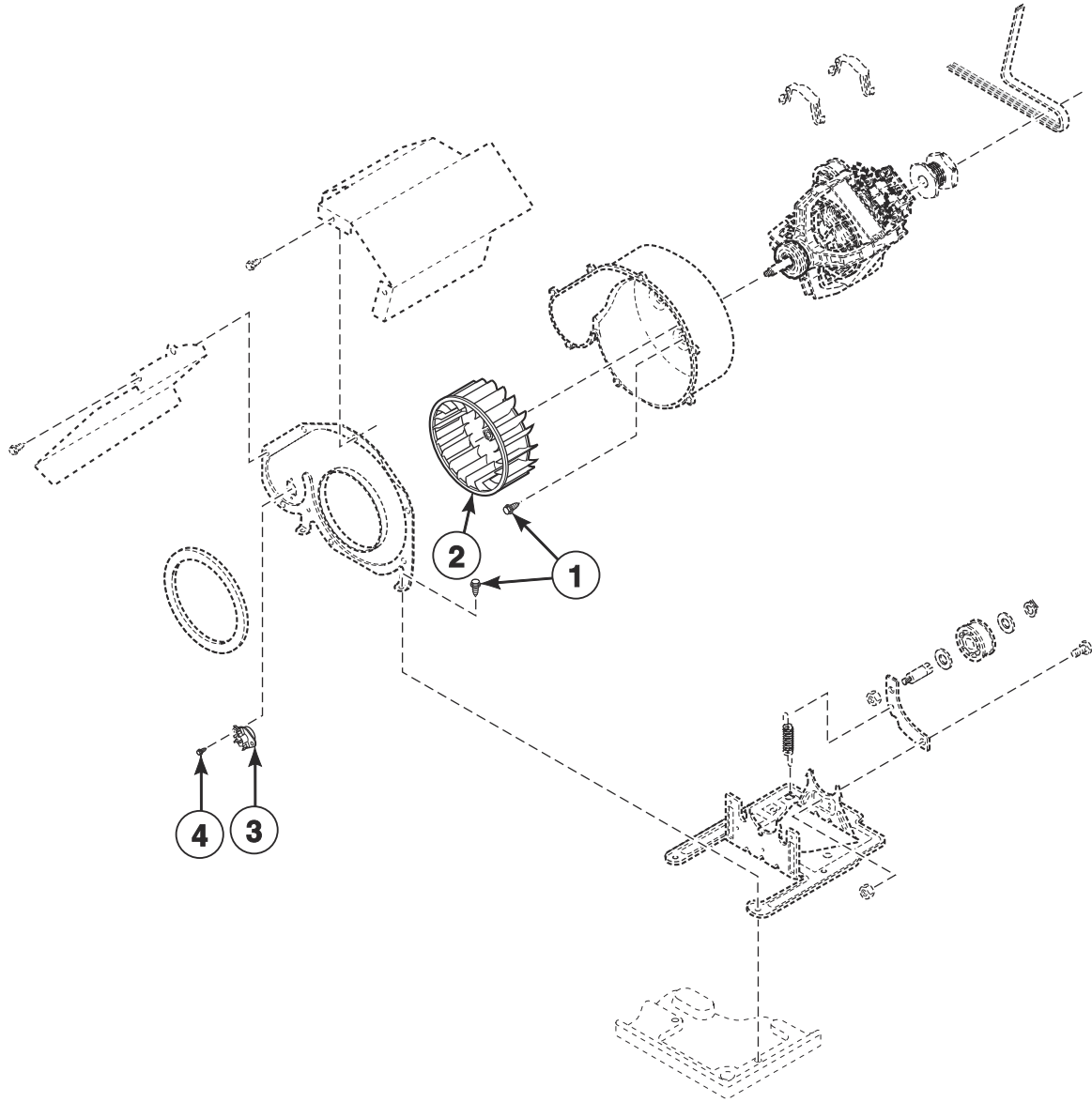


DRY2312PA_806105

Motor, Exhaust Fan and Belt (Drawing 1 of 2)

REF	PART NO.	DESCRIPTION	COMMENTS
	27604P	Anti-Seize Compound	Apply to motor shaft when installing blower fan assembly
1	D510180	Motor Mount Clamp	
2	D511255P	Cylinder Belt	
3	D500222	Motor Pulley	50 Hertz; Models ATEE9AGP435AW01, ATEE9ASG453NW36, ATEE9ASG455NW36, ATEE9ASP433XW34, ATEE9ASP435XW34, ATEE9ASP453LW26, ATEE9ASP455LN01, ATEE9ASP455LW01, ATEE9ASP565XW01, ATEE9AWP433AW01, ATEE9AWP435AW01, ATGE9AGP305AW01, ATGE9ASP303XW01, ATGE9ASP303XW26, ATGE9ASP305XW01, ATGE9AWP303AW01, ATGE9AWP305AW01, ATHE9ASP453NW29, ATHE9ASP455NN29, ATHE9ASP455NW29, FTEE5ASP303NW10, FTEE5ASP303ZW01, FTEE5ASP433LW01, FTGE5ASP303NW10, LTEE5ASP303WW01, LTEE5ASP303WW37, LTEE5ASP303ZW01, LTEE5ASP433AW01, LTEE5ASP433AW12, LTEE5ASP453VW26, LTGE5ASP303AW01, LTGE5ASP303AW12, PTEE3FSP433AG01, PTGE3FSP303AG01, TTEE5ASP303NW36, TTPE5ASP303NW36, YTEE5ASP303NW10, YTGE5ASP303NW21, ZTHE9ASP455NN29 and ZTHE9ASP455NW29
	D500011	Motor Pulley	60 Hertz; All other models
4	D505869P	Motor and Pulley Assembly	240 Volt/60 Hertz; Includes items 1, 3 and 5; Apply anti-seize compound to motor shaft when installing blower fan assembly; Models ATEE9ASP133DN04, ATEE9ASP133DW04, ATEE9ASP543DN04, ATEE9ASP543DW04, ATEE9ASP545DW04, ATGE9ASP543DN04, ATGE9ASP543DW04, ATGE9ASP545DW04, LTEE5ASP133FW01, LTEE5ASP135MW01, LTEE5ASP333NW01, LTEE5ASP543NW01, LTEE5ASP543NW23, LTEE5ASP543RW01, LTEE5ASP553KW01, LTLE5ASP543NW23 and YTEE5ASP133FW01
	D505843P	Motor and Pulley Assembly	240 Volt/50 Hertz; Includes items 1, 3 and 5; Apply anti-seize compound to motor shaft when installing blower fan assembly; Models ATEE9AGP435AW01, ATEE9ASG453NW36, ATEE9ASG455NW36, ATEE9ASP433XW34, ATEE9ASP435XW34, ATEE9ASP453LW26, ATEE9ASP455LN01, ATEE9ASP455LW01, ATEE9ASP565XW01, ATEE9AWP433AW01, ATEE9AWP435AW01, ATGE9AGP305AW01, ATGE9ASP303XW01, ATGE9ASP303XW26, ATGE9ASP305XW01, ATGE9AWP303AW01, ATGE9AWP305AW01, ATHE9ASP453NW29, ATHE9ASP455NN29, ATHE9ASP455NW29, ATLE9ASP305LW01, FTEE5ASP303NW10, FTEE5ASP303ZW01, FTEE5ASP433LW01, FTGE5ASP303NW10, LTEE5AGP133ZW30, LTEE5ASP303WW01, LTEE5ASP303WW37, LTEE5ASP303ZW01, LTEE5ASP433AW01, LTEE5ASP433AW12, LTEE5ASP453VW26, LTGE5ASP303AW01, LTGE5ASP303AW12, LTLE5ASP303LW01, LTLE5ASP303NW35, PTEE3FSP433AG01, PTGE3FSP303AG01, TTEE5ASP303NW36, TTPE5ASP303NW36, YTEE5ASP303NW10, YTGE5ASP303NW21, ZTHE9ASP455NN29 and ZTHE9ASP455NW29
	D511629P	Motor and Pulley Assembly	120 Volt/60 Hertz; Includes items 1, 3 and 5; Apply anti-seize compound to motor shaft when installing blower fan assembly; All other models
5	590P3	Motor Hub Ring Kit	

Motor, Exhaust Fan and Belt (Drawing 2 of 2)

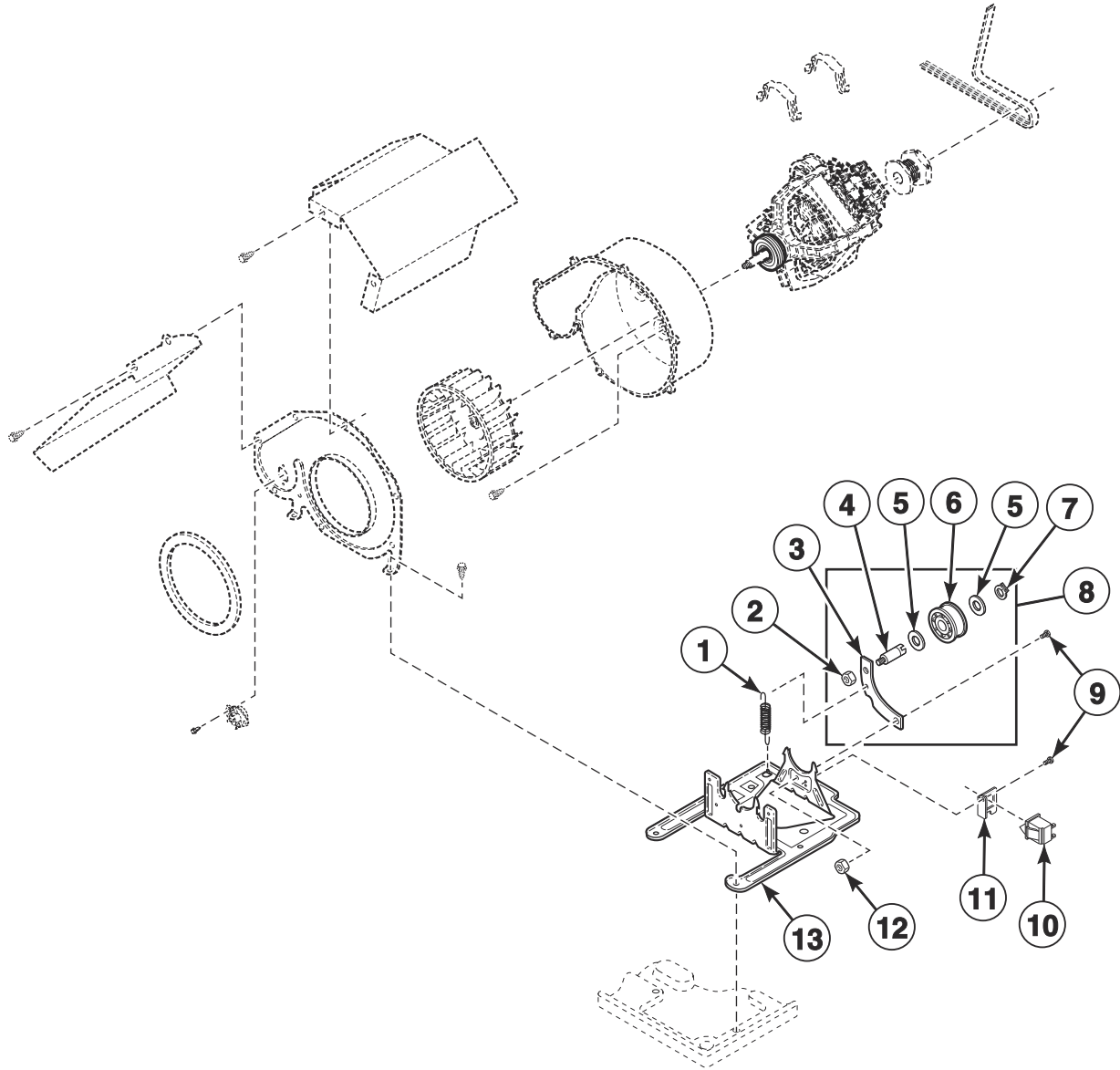


DRY2312PC_806105

Motor, Exhaust Fan and Belt (Drawing 2 of 2)

REF	PART NO.	DESCRIPTION	COMMENTS
1	D503688	Screw	
2	D510139P	Blower Fan Assembly	
3	D502366	Thermistor Assembly	Black; Models ATEE9AGP435AW01, ATEE9ASG453NW36, ATEE9ASG455NW36, ATEE9ASP433XW34, ATEE9ASP435XW34, ATEE9ASP453LW26, ATEE9ASP455LN01, ATEE9ASP455LW01, ATEE9ASP565XW01, ATEE9AWP433AW01, ATEE9AWP435AW01, ATGE9AGP305AW01, ATGE9ASP303XW01, ATGE9ASP303XW26, ATGE9ASP305XW01, ATGE9AWP303AW01, ATGE9AWP305AW01, ATHE9ASP453NW29, ATHE9ASP455NN29, ATHE9ASP455NW29, ATLE9ASP305LW01, FTEE5ASP303NW10, FTEE5ASP303ZW01, FTEE5ASP433LW01, FTGE5ASP303NW10, LTEE5AGP133ZW30, LTEE5ASP303WW01, LTEE5ASP303WW37, LTEE5ASP303ZW01, LTEE5ASP433AW01, LTEE5ASP433AW12, LTEE5ASP453VW26, LTGE5ASP303AW01, LTGE5ASP303AW12, LTLE5ASP303LW01, LTLE5ASP303NW35, PTEE3FSP433AG01, PTGE3FSP303AG01, TTHE5ASP303NW36, TTPE5ASP303NW36, YTEE5ASP303NW10, YTGE5ASP303NW21, ZTHE9ASP455NN29 and ZTHE9ASP455NW29
	D510523	Thermistor Assembly	Black; All other models
4	D502535	Screw	

Idler Assembly

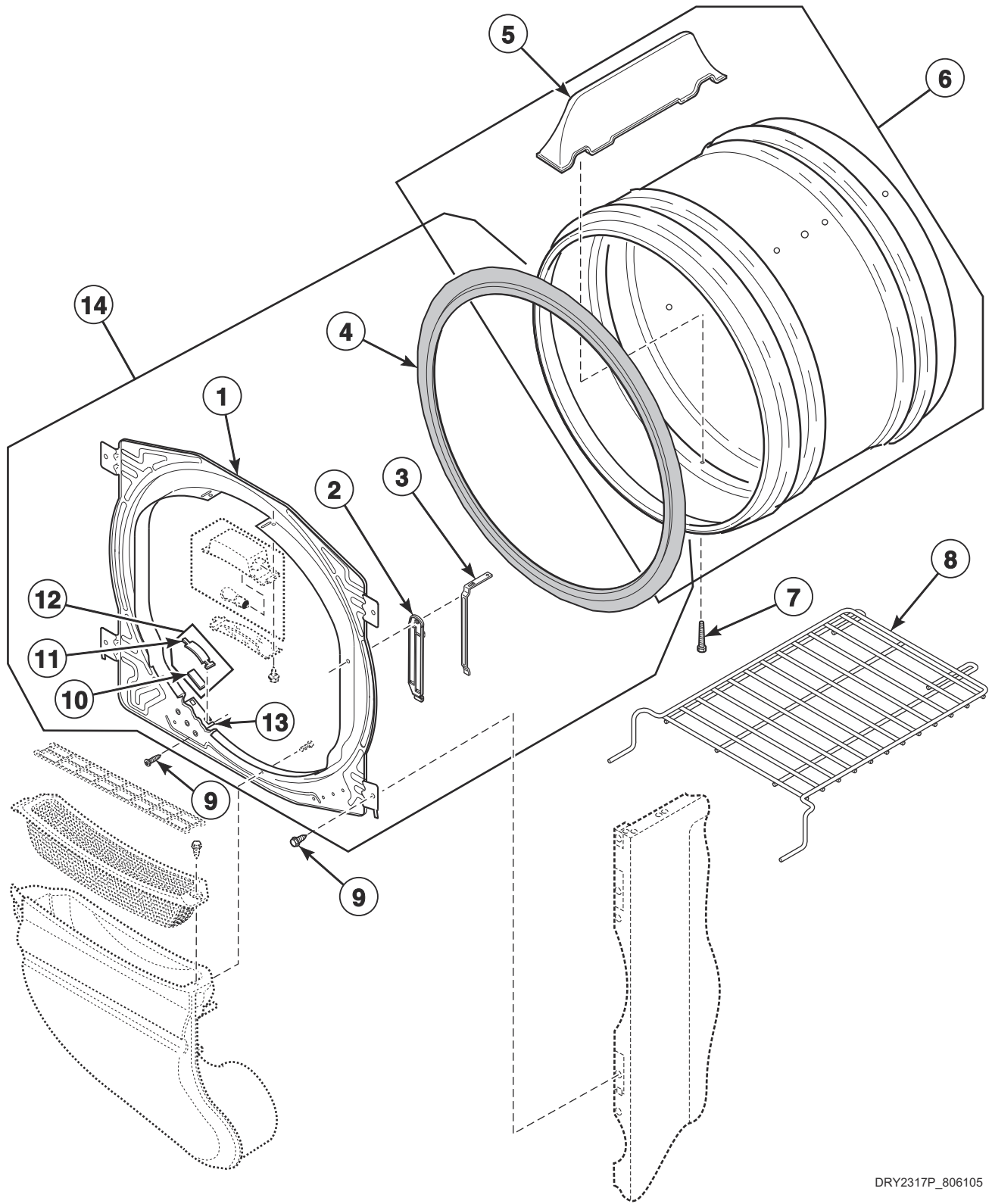


DRY2519P_806105

Idler Assembly

REF	PART NO.	DESCRIPTION	COMMENTS
1	D510185	Idler Spring	
2	56156	Nut	
3	D516310	Idler Lever	
4	56461P	Shaft	
5	52549	Washer	
6	D510142P	Idler Wheel and Bearing Assembly	
7	23748	Retaining Ring	
8	D516792	Idler Lever and Wheel Assembly	Includes items 2-7
9	D500824	Screw	
10	D516391	Switch	
11	D516311	Motor Switch Bracket	
12	52566	Nut	
13	D510060	Motor Mount	

Front Bulkhead, Felt Seal and Cylinder



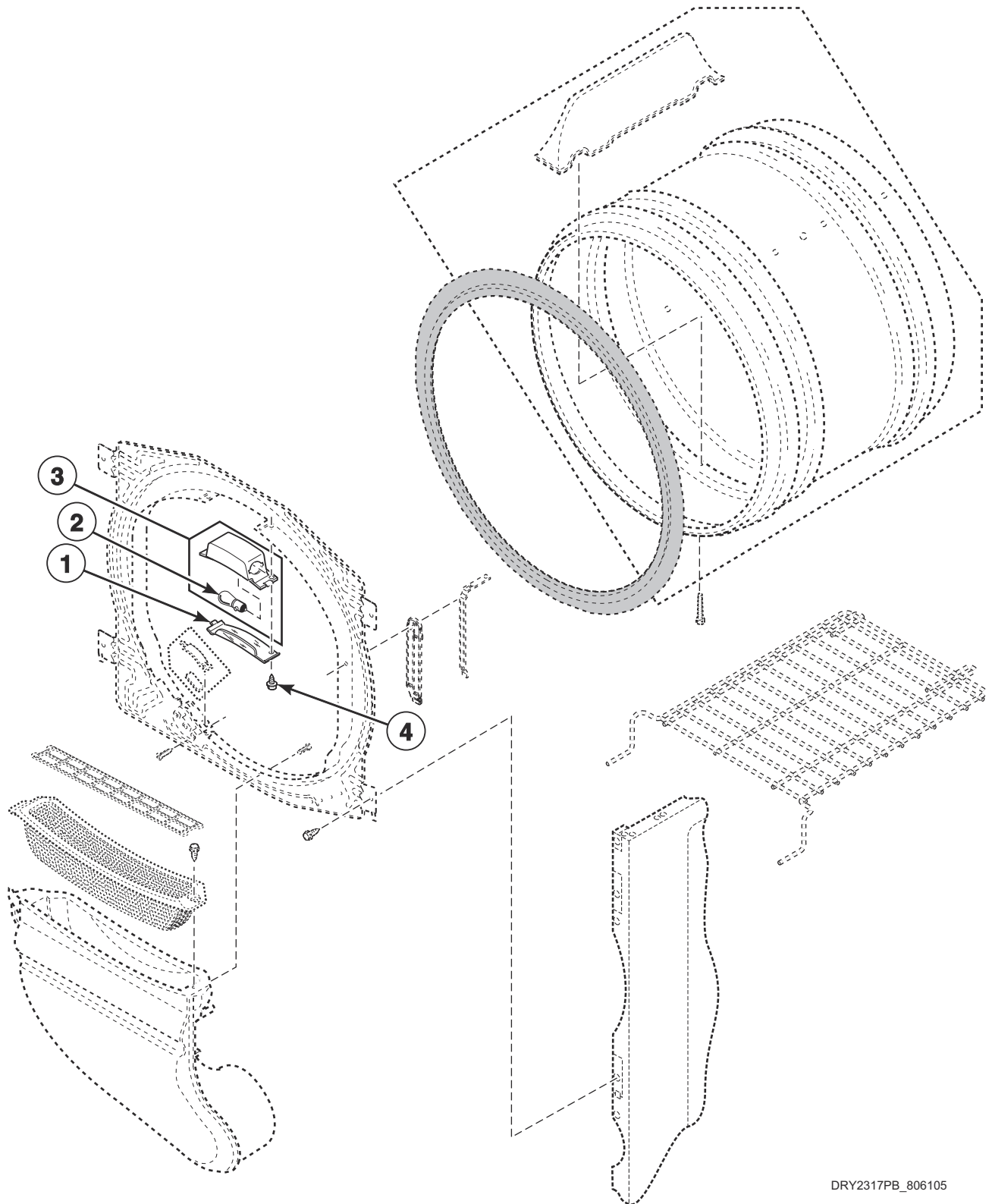
DRY2317P_806105

Front Bulkhead, Felt Seal and Cylinder

REF	PART NO.	DESCRIPTION	COMMENTS
1	D513641	Front Bulkhead	Galvanized; Models ATEE9ASP133DN04, ATEE9ASP133DW04, ATEE9ASP433XW34, ATEE9ASP435XW34, ATEE9ASP453LW26, ATEE9ASP455LN01, ATEE9ASP455LW01, ATEE9ASP543DN04, ATEE9ASP543DW04, ATEE9ASP545DW04, ATEE9ASP565XW01, ATGE9ASP123DN04, ATGE9ASP123DW04, ATGE9ASP125DW04, ATGE9ASP303XW01, ATGE9ASP303XW26, ATGE9ASP305XW01, ATGE9ASP543DN04, ATGE9ASP543DW04, ATGE9ASP545DW04, ATHE9ASP453NW29, ATHE9ASP455NN29, ATHE9ASP455NW29, ATLE9ASP305LW01, ZTHE9ASP455NN29 and ZTHE9ASP455NW29
	D515532	Front Bulkhead Assembly	Galvanized; All other models
	D505899WP	Bulkhead Assembly	White; Includes items 4 and 10-13; Models ATEE9AGP435AW01, ATEE9AWP433AW01, ATEE9AWP435AW01, ATGE9AGP305AW01, ATGE9AWP303AW01 and ATGE9AWP305AW01
2	D513738	Moisture Sensor Base	
3	D513737	Bar Sensor	2 required
4	D510207P	Cylinder Seal Assembly	
	D511637P	Adhesive	Apply to cylinder seal
	RB170001	Seal Kit	Includes 2 cylinder seals, 510238P Blower Housing Seal and D511637P Adhesive
5	D510102LG	Cylinder Baffle	3 required; Light gray; Models ATEE9ASP133DN04, ATEE9ASP455LN01, ATEE9ASP543DN04, ATGE9ASP123DN04, ATGE9ASP543DN04, ATHE9ASP455NN29 and ZTHE9ASP455NN29
	D510102W	Cylinder Baffle	3 required; All other models
6	D510265LGP	Cylinder Assembly	Galvanized; Models ATEE9ASP133DN04, ATEE9ASP455LN01, ATEE9ASP543DN04, ATGE9ASP123DN04, ATGE9ASP543DN04, ATHE9ASP455NN29 and ZTHE9ASP455NN29
	D510265WP	Cylinder Assembly	Galvanized; Includes item 3; All other models
	D510159WP	Cylinder Assembly	White
7	62588	Screw	
8	D512082P	Drying Rack	
9	D503688	Screw	
10	D510189	Felt Pad	2 required
11	D513710	Cylinder Glide	2 required
12	RB170003	Glide Kit	Includes items 10 and 11
13	D510145	Cylinder Glide Bracket	2 required
14	D515534P	Front Bulkhead Assembly	Galvanized; Includes items 1-4, and 10-13; Models ATEE9ASP433XW34, ATEE9ASP435XW34, ATEE9ASP453LW26, ATEE9ASP455LN01, ATEE9ASP455LW01, ATEE9ASP543DN04, ATEE9ASP543DW04, ATEE9ASP545DW04, ATEE9ASP565XW01, ATGE9ASP303XW01, ATGE9ASP303XW26, ATGE9ASP305XW01, ATGE9ASP543DN04, ATGE9ASP543DW04, ATGE9ASP545DW04, ATHE9ASP453NW29, ATHE9ASP455NN29, ATHE9ASP455NW29, ZTHE9ASP455NN29 and ZTHE9ASP455NW29
	D515533P	Front Bulkhead Assembly	Galvanized; Includes items 1-4, and 10-13; Models ATEE9ASP133DN04, ATEE9ASP133DW04, ATGE9ASP123DN04, ATGE9ASP123DW04 and ATGE9ASP125DW04
	D515532	Front Bulkhead Assembly	Includes items 1-4 and 10-13; All other models

Cylinder Light (Drawing 1 of 2)

Models ATEE9AGP435AW01, ATEE9ASG453NW36, ATEE9ASG455NW36, ATEE9ASP133DN04, ATEE9ASP133DW04, ATEE9ASP283CW01, ATEE9ASP285CW01, ATEE9ASP285CW14, ATEE9ASP433XW34, ATEE9ASP435XW34, ATEE9ASP453LW26, ATEE9ASP455LN01, ATEE9ASP455LW01, ATEE9ASP543DN04, ATEE9ASP543DW04, ATEE9ASP545DW04, ATEE9ASP565XW01, ATEE9AWP433AW01, ATEE9AWP435AW01, ATLE9ASP305LW01 and ZTEE9ASP286CW01



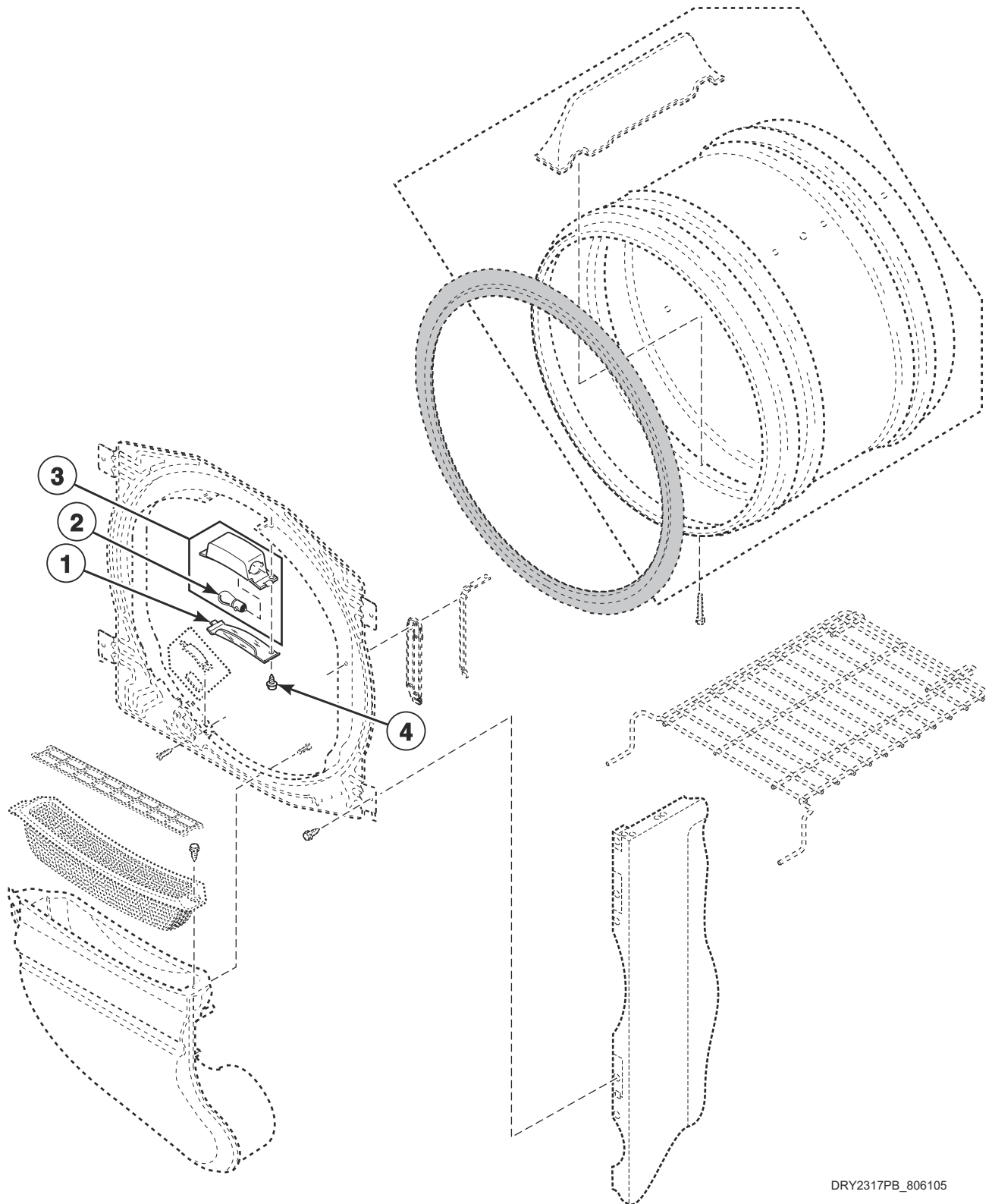
DRY2317PB_806105

Cylinder Light (Drawing 1 of 2)

REF	PART NO.	DESCRIPTION	COMMENTS
1	D512106	Cylinder Light Lens	
2	D503579	Drum Light Lamp	Models ATEE9AGP435AW01, ATEE9ASG453NW36, ATEE9ASG455NW36, ATEE9ASP433XW34, ATEE9ASP435XW34, ATEE9ASP453LW26, ATEE9ASP455LN01, ATEE9ASP455LW01, ATEE9ASP543DN04, ATEE9ASP543DW04, ATEE9ASP545DW04, ATEE9ASP565XW01, ATEE9AWP433AW01 and ATEE9AWP435AW01
	60954	Drum Light Lamp	Models ATEE9ASP133DN04, ATEE9ASP133DW04, ATEE9ASP283CW01, ATEE9ASP285CW01, ATEE9ASP285CW14 and ZTEE9ASP286CW01
3	D512108	Light Housing Assembly	120 Volt; Includes item 2; Models ATEE9ASP133DN04, ATEE9ASP133DW04, ATEE9ASP283CW01, ATEE9ASP285CW01, ATEE9ASP285CW14 and ZTEE9ASP286CW01
	D512109	Cylinder Light Assembly	240 Volt; Includes item 2; Models ATEE9AGP435AW01, ATEE9ASG453NW36, ATEE9ASG455NW36, ATEE9ASP433XW34, ATEE9ASP435XW34, ATEE9ASP453LW26, ATEE9ASP455LN01, ATEE9ASP455LW01, ATEE9ASP543DN04, ATEE9ASP543DW04, ATEE9ASP545DW04, ATEE9ASP565XW01, ATEE9AWP433AW01, ATEE9AWP435AW01 and ATLE9ASP305LW01
4	D500227	Screw	

Cylinder Light (Drawing 2 of 2)

Models ATGE9AGP305AW01, ATGE9ASP093CW01, ATGE9ASP095CW01, ATGE9ASP095CW14, ATGE9ASP123DN04, ATGE9ASP123DW04, ATGE9ASP125DW04, ATGE9ASP303XW01, ATGE9ASP303XW26, ATGE9ASP305XW01, ATGE9ASP543DN04, ATGE9ASP543DW04, ATGE9ASP545DW04, ATGE9AWP303AW01, ATGE9AWP305AW01, ATHE9ASP453NW29, ATHE9ASP455NN29, ATHE9ASP455NW29, ZTGE9ASP096CW01, ZTHE9ASP455NN29 and ZTHE9ASP455NW29



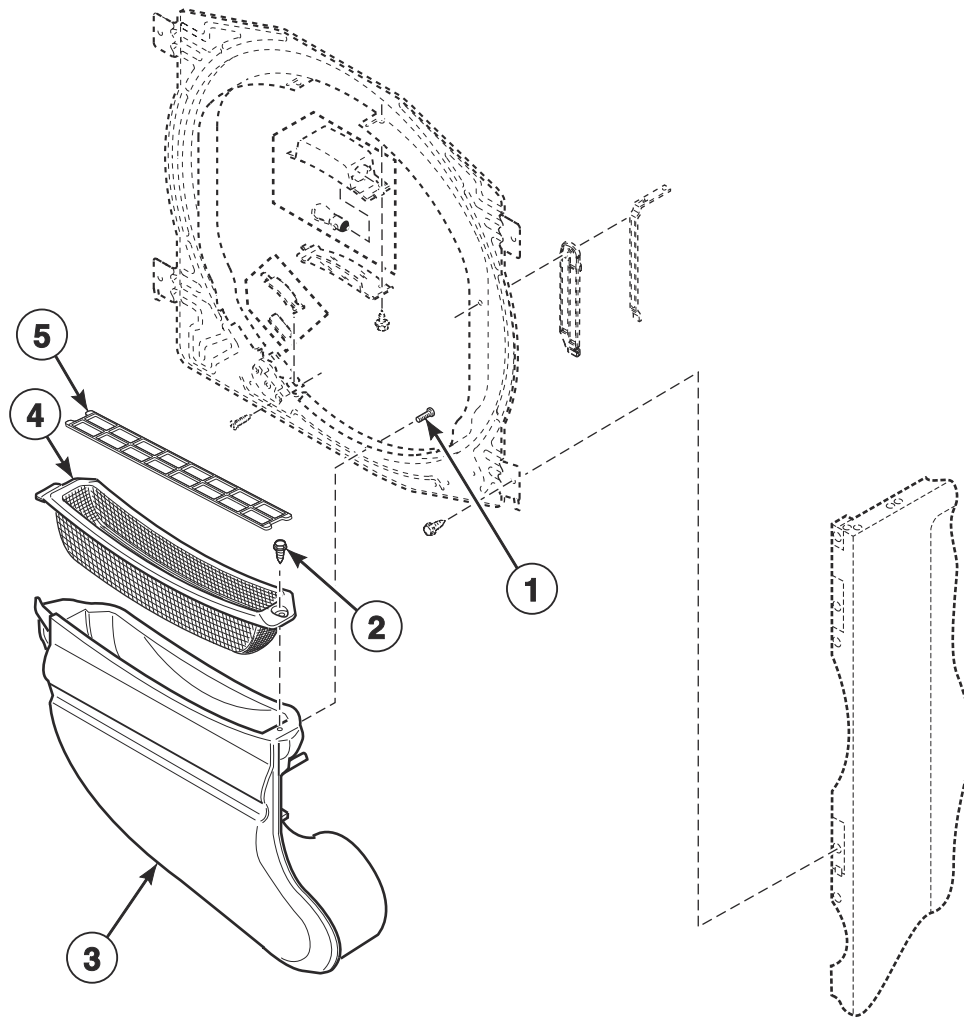
DRY2317PB_806105

Cylinder Light (Drawing 2 of 2)

REF	PART NO.	DESCRIPTION	COMMENTS
1	D512106	Cylinder Light Lens	
2	D503579	Drum Light Lamp	Models ATGE9AGP305AW01, ATGE9ASP303XW01, ATGE9ASP303XW26, ATGE9ASP305XW01, ATGE9ASP543DN04, ATGE9ASP543DW04, ATGE9ASP545DW04, ATGE9AWP303AW01, ATGE9AWP305AW01, ATHE9ASP453NW29, ATHE9ASP455NN29, ATHE9ASP455NW29, ZTHE9ASP455NN29 and ZTHE9ASP455NW29
	60954	Drum Light Lamp	Models ATGE9ASP093CW01, ATGE9ASP095CW01, ATGE9ASP095CW14, ATGE9ASP123DN04, ATGE9ASP123DW04, ATGE9ASP125DW04 and ZTGE9ASP096CW01
3	D512108	Light Housing Assembly	120 Volt; Includes item 2; Models ATGE9ASP093CW01, ATGE9ASP095CW01, ATGE9ASP095CW14, ATGE9ASP123DN04, ATGE9ASP123DW04, ATGE9ASP125DW04 and ZTGE9ASP096CW01
	D512109	Cylinder Light Assembly	240 Volt; Includes item 2; Models ATGE9AGP305AW01, ATGE9ASP303XW01, ATGE9ASP303XW26, ATGE9ASP305XW01, ATGE9ASP543DN04, ATGE9ASP543DW04, ATGE9ASP545DW04, ATGE9AWP303AW01, ATGE9AWP305AW01, ATHE9ASP453NW29, ATHE9ASP455NN29, ATHE9ASP455NW29, ZTHE9ASP455NN29 and ZTHE9ASP455NW29
4	D500227	Screw	

Air Duct (Drawing 1 of 3)

Models ATEE9ASP283CW01, ATEE9ASP285CW01, ATEE9ASP285CW14, ATGE9ASP093CW01, ATGE9ASP095CW01, ATGE9ASP095CW14, BTEE6ASP173TW01, BTEE6ASP283CW01, LTEA5FSP153TW01, LTEA5FSP153TW04, LTEA5FSP173TW01, LTEA5FSP173TW04, LTEE5ASP135MW01, LTEE5ASP153TW01, LTEE5ASP155TW01, LTEE5ASP173TW01, LTEE5ASP175TW01, LTEE5ASP283CW01, LTEE5ASP285CW01, LTEE5ASP293CW01, LTEE5ASP295CW01, LTEE5FSP175TW01, LTEE5FSP275TW01, LTGE5ASP093CW01, LTGE5ASP095CW01, LTGE5ASP115TW01, LTGE5ASP125MW01, LTGE5FSP115TW01, PTEE3FSP173TG01, PTEE3FSP175TG01, PTEE3FSP175TW01, PTEE3FSP283CG01, PTEE3FSP285CG01, PTGE3FSP093CG01, PTGE3FSP095CG01, PTGE3FSP115TG01, PTGE3FSP115TW01, UTEE5ASP173TW01, UTEE5ASP173TW08, UTEE5ASP175TW01, UTEE5ASP175TW08, UTEE5ASP283CW01, UTEE5ASP285CW01, UTGE5ASP115TW01, UTGE5ASP115TW08, YTEE5ASP173TW01, YTEE5ASP175TW01, YTEE5ASP283CW01, YTEE5ASP285CW01, YTGE5ASP095CW01, YTGE5ASP115TW01, ZTEE9ASP286CW01 and ZTGE9ASP096CW01



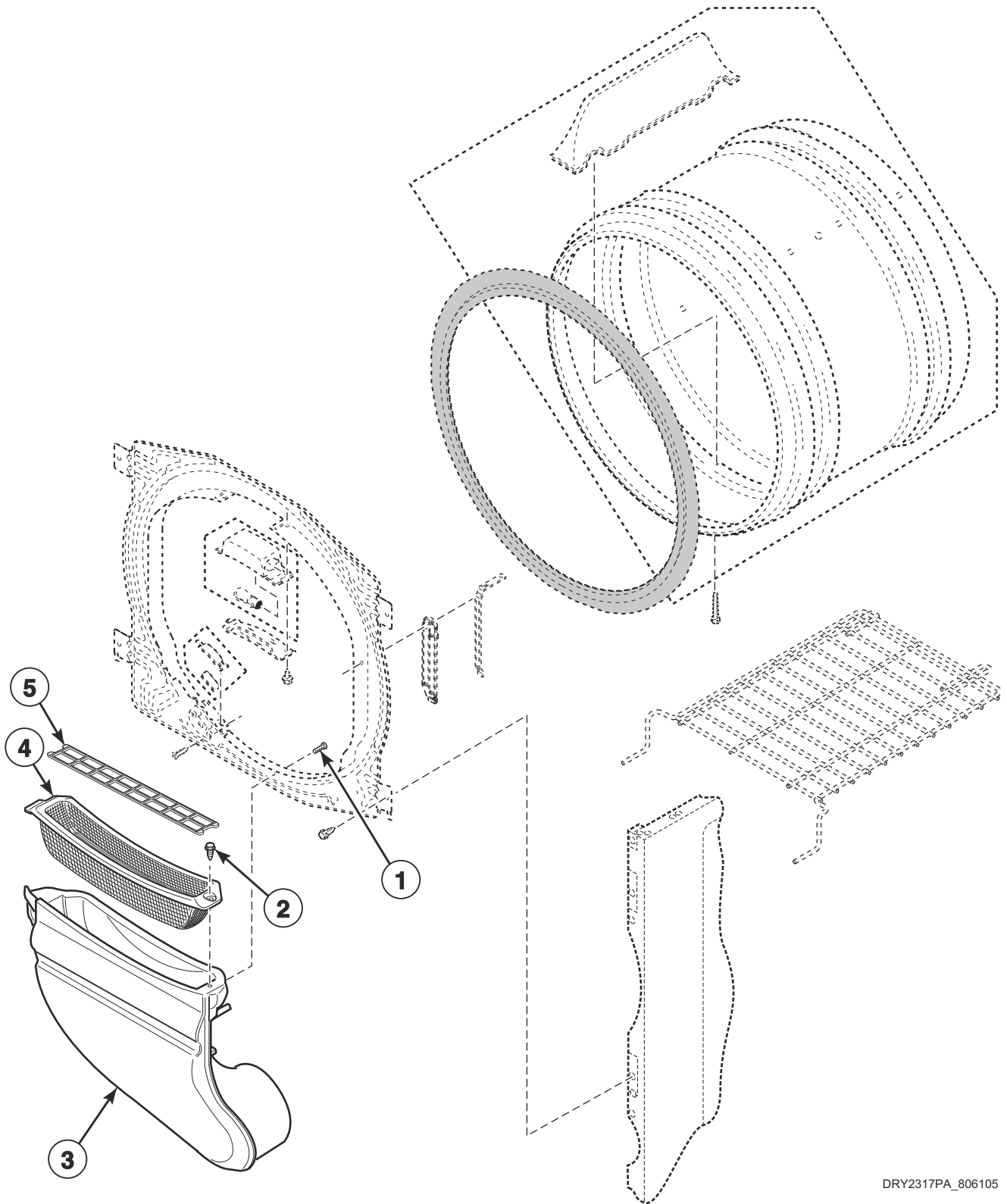
DRY2496P_806105

Air Duct (Drawing 1 of 3)

REF	PART NO.	DESCRIPTION	COMMENTS
1	D501086	Screw	
2	D501285	Screw	
3	D518431	Air Duct Assembly	Models LTEE5ASP135MW01 and LTGE5ASP125MW01
	D518433	Air Duct Assembly	All other models
4	D503980LG	Lint Filter	Light gray; Through Serial Nos. beginning 1711
	D503980W	Lint Filter	White; Starting Serial Nos. beginning 1711
5	D510502LG	Lint Filter Cover	

Air Duct (Drawing 2 of 3)

Models BTGE6ASP093CW01, BTGE6ASP113TW01, LTGA5FSP113TW01, LTGE5ASP113TW01, PTGE3FSP113TG01, UTGE5ASP113TW01, UTGE5ASP113TW08, YTGE5ASP093CW01 and YTGE5ASP113TW01



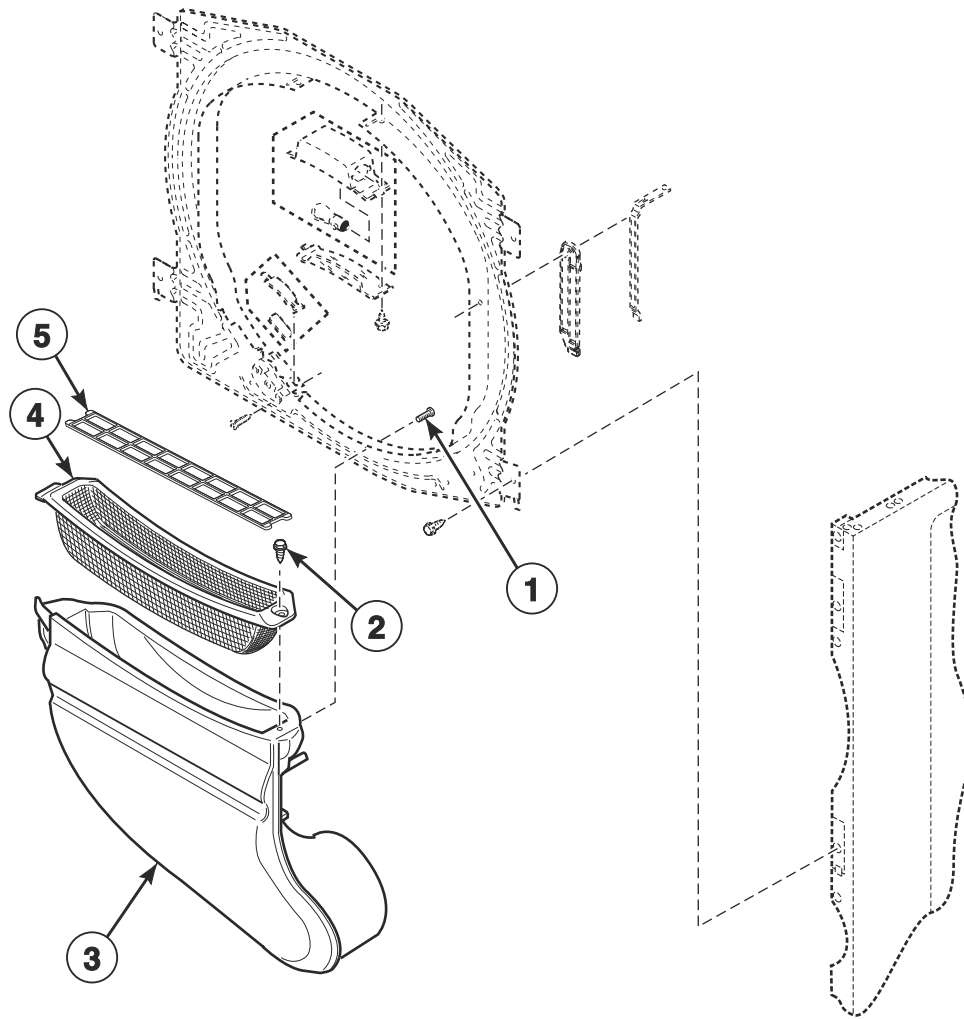
DRY2317PA_806105

Air Duct (Drawing 2 of 3)

REF	PART NO.	DESCRIPTION	COMMENTS
1	D501086	Screw	
2	D501285	Screw	
3	D518432	Air Duct Assembly	Through Serial No. 1606000838
	D518433	Air Duct Assembly	Starting Serial No. 1606000839
4	D503980LG	Lint Filter	Light gray; Starting Serial No. 1606000839 and continuing through Serial Nos. beginning 1711
	D503980W	Lint Filter	White; Through Serial No. 1606000838 and starting again with Serial Nos. beginning 1711
5	D510502W	Lint Filter Cover	Through Serial No. 1606000838
	D510502LG	Lint Filter Cover	Starting Serial No. 1606000839

Air Duct (Drawing 3 of 3)

Models ATEE9AGP435AW01, ATEE9ASG453NW36, ATEE9ASG455NW36, ATEE9ASP133DN04, ATEE9ASP133DW04, ATEE9ASP433XW34, ATEE9ASP435XW34, ATEE9ASP453LW26, ATEE9ASP455LN01, ATEE9ASP455LW01, ATEE9ASP543DN04, ATEE9ASP543DW04, ATEE9ASP545DW04, ATEE9ASP565XW01, ATEE9AWP433AW01, ATEE9AWP435AW01, ATGE9AGP305AW01, ATGE9ASP123DN04, ATGE9ASP123DW04, ATGE9ASP125DW04, ATGE9ASP303XW01, ATGE9ASP303XW26, ATGE9ASP305XW01, ATGE9ASP543DN04, ATGE9ASP543DW04, ATGE9ASP545DW04, ATGE9AWP303AW01, ATGE9AWP305AW01, ATHE9ASP453NW29, ATHE9ASP455NN29, ATHE9ASP455NW29, ATLE9ASP305LW01, FTEE5ASP303NW10, FTEE5ASP303ZW01, FTEE5ASP433LW01, FTGE5ASP303NW10, LTEE5AGP133ZW30, LTEE5ASP133FW01, LTEE5ASP303WW01, LTEE5ASP303WW37, LTEE5ASP303ZW01, LTEE5ASP333NW01, LTEE5ASP433AW01, LTEE5ASP433AW12, LTEE5ASP453VW26, LTEE5ASP543NW01, LTEE5ASP543NW23, LTEE5ASP543RW01, LTEE5ASP553KW01, LTGE5ASP113FW01, LTGE5ASP113JW01, LTGE5ASP303AW01, LTGE5ASP303AW12, LTLE5ASP303LW01, LTLE5ASP303NW35, LTLE5ASP543NW23, LTME5ASP543KW01, PTEE3FSP433AG01, PTGE3FSP303AG01, TTEE5ASP303NW36, TTPE5ASP303NW36, YTEE5ASP133FW01, YTEE5ASP303NW10, YTGE5ASP113FW01, YTGE5ASP303NW21, ZTHE9ASP455NN29 and ZTHE9ASP455NW29

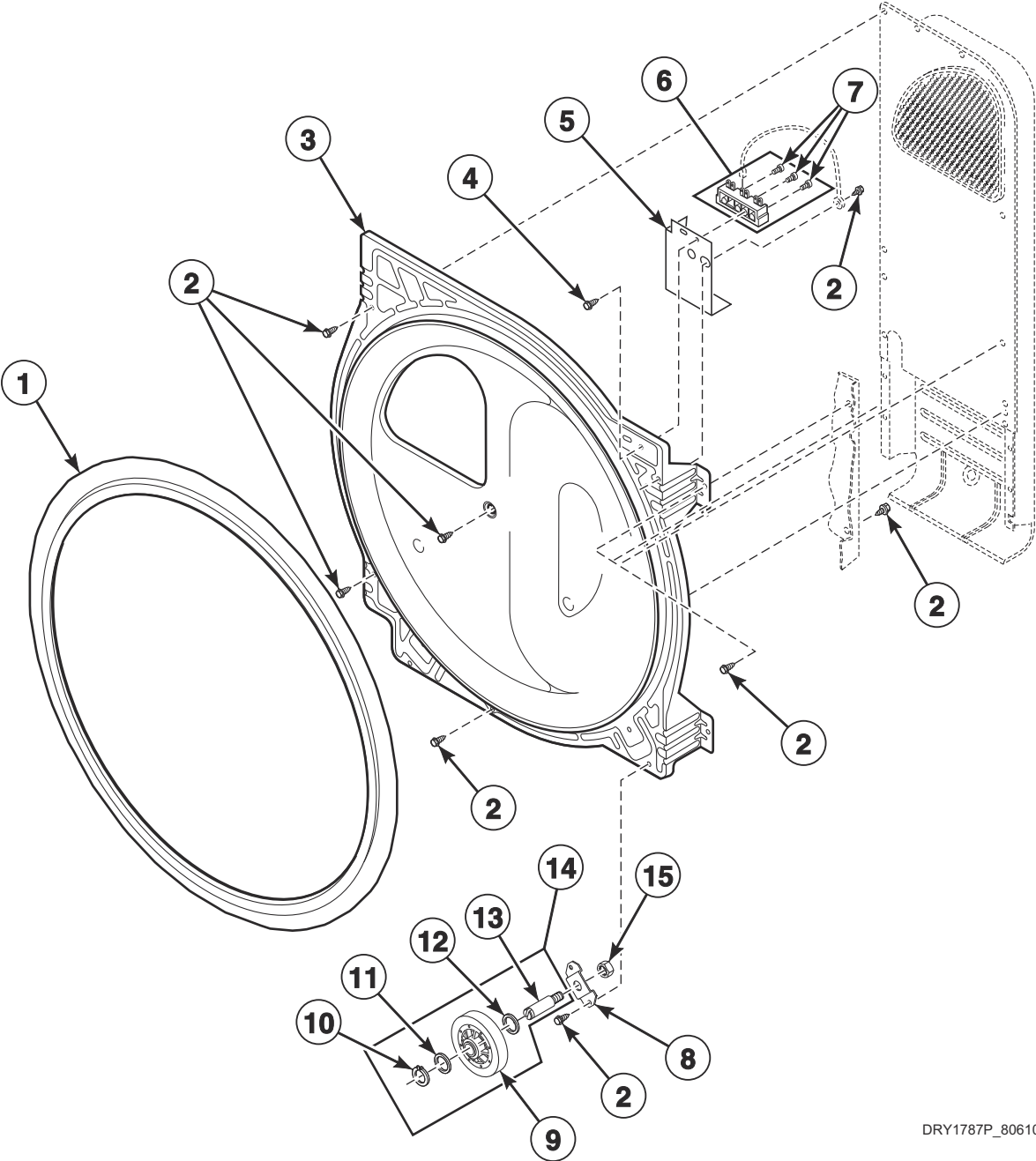


DRY2496P_806105

Air Duct (Drawing 3 of 3)

REF	PART NO.	DESCRIPTION	COMMENTS
1	D501086	Screw	
2	D501285	Screw	
3	D518433	Air Duct Assembly	Models ATEE9ASP133DN04, ATEE9ASP455LN01, ATEE9ASP543DN04, ATGE9ASP123DN04, ATGE9ASP543DN04, ATHE9ASP455NN29 and ZTHE9ASP455NN29
	D518432	Air Duct Assembly	All other models
4	D503980LG	Lint Filter	Light gray; Models ATEE9ASP133DN04, ATEE9ASP455LN01, ATEE9ASP543DN04, ATGE9ASP123DN04, ATGE9ASP543DN04, ATHE9ASP455NN29 and ZTHE9ASP455NN29
	D503980W	Lint Filter	White; All other models
5	D510502LG	Lint Filter Cover	Models ATEE9ASP133DN04, ATEE9ASP543DN04, ATGE9ASP123DN04, ATGE9ASP543DN04, ATHE9ASP455NN29 and ZTHE9ASP455NN29
	D510502W	Lint Filter Cover	All other models

Rear Bulkhead, Felt Seal, Cylinder Roller and Terminal Block



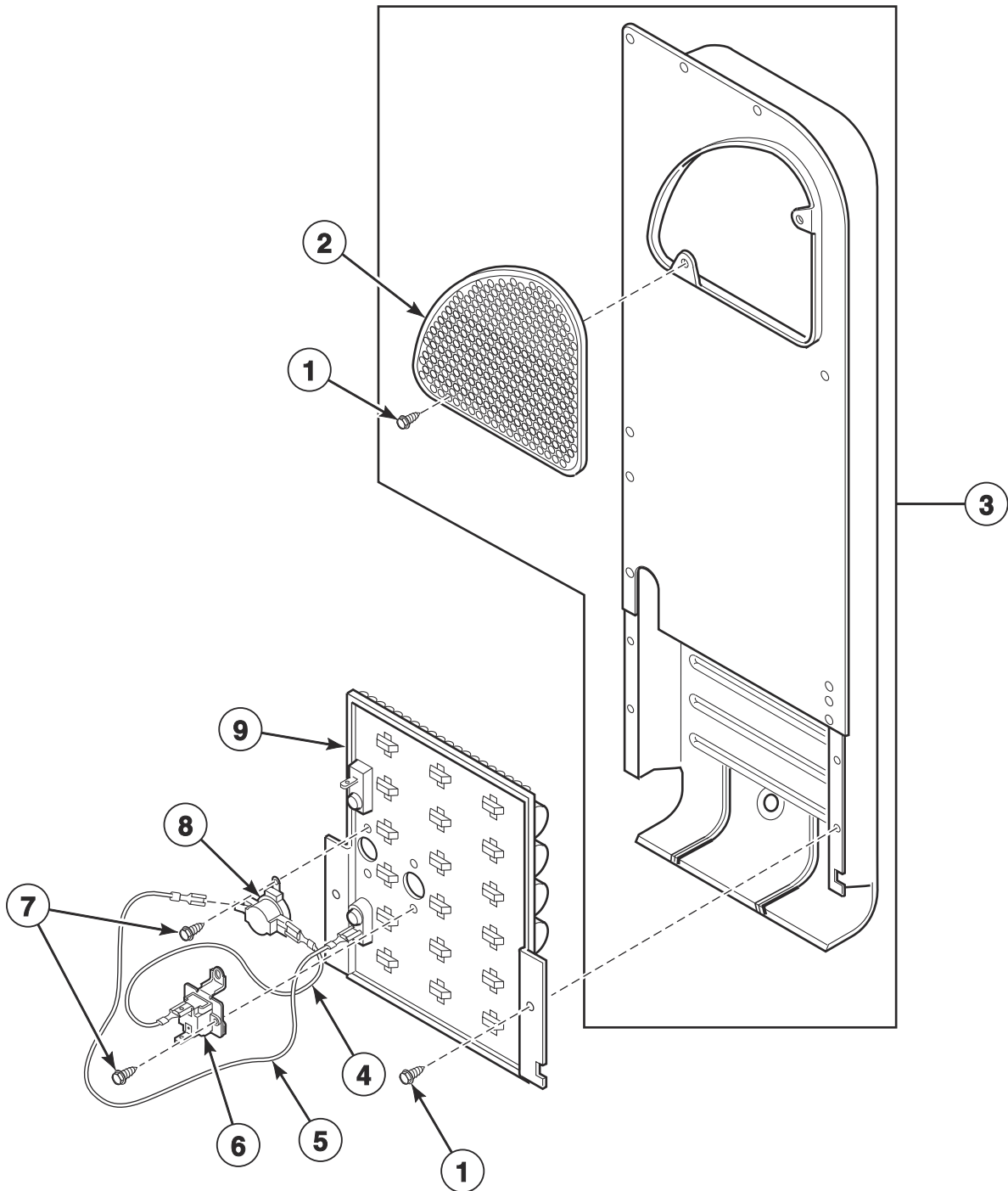
DRY1787P_806105

Rear Bulkhead, Felt Seal, Cylinder Roller and Terminal Block

REF	PART NO.	DESCRIPTION	COMMENTS
1	D510207P	Cylinder Seal Assembly	
	D511637P	Adhesive	Apply to cylinder seal
	RB170001	Seal Kit	Includes 2 cylinder seals, D510238P Blower Housing Seal and D511637P Adhesive
2	D503688	Screw	
3	D511082P	Rear Bulkhead Assembly	Galvanized; Includes item 1
	D510905WP	Rear Bulkhead Assembly	White; Includes item 1
4	D501285	Screw	Electric models; Models ATGE9ASP093CW01, ATGE9ASP095CW01, ATGE9ASP095CW14, BTGE6ASP093CW01, LTGE5ASP093CW01, LTGE5ASP095CW01, PTGE3FSP093CG01, PTGE3FSP095CG01, YTGE5ASP093CW01, YTGE5ASP095CW01 and ZTGE9ASP096CW01
5	D510237	Terminal Block Shield	Models ATEE9ASP283CW01, ATEE9ASP285CW01, ATEE9ASP285CW14, BTEE6ASP173TW01, BTEE6ASP283CW01, LTEA5FSP153TW01, LTEA5FSP153TW04, LTEA5FSP173TW01, LTEA5FSP173TW04, LTEE5ASP153TW01, LTEE5ASP155TW01, LTEE5ASP173TW01, LTEE5ASP175TW01, LTEE5ASP283CW01, LTEE5ASP285CW01, LTEE5ASP293CW01, LTEE5ASP295CW01, LTEE5ASP333NW01, LTEE5ASP543NW01, LTEE5FSP175TW01, LTEE5FSP275TW01, PTEE3FSP173TG01, PTEE3FSP175TG01, PTEE3FSP175TW01, UTEE5ASP173TW01, UTEE5ASP173TW08, UTEE5ASP175TW01, UTEE5ASP175TW08, UTEE5ASP283CW01, UTEE5ASP285CW01, YTEE5ASP173TW01, YTEE5ASP175TW01, YTEE5ASP283CW01, YTEE5ASP285CW01 and ZTEE9ASP286CW01; Through Serial No. 1903000001
	D517715	Terminal Block Shield	Models ATEE9AGP435AW01, ATEE9ASG453NW36, ATEE9ASG455NW36, ATEE9ASP133DN04, ATEE9ASP133DW04, ATEE9ASP433XW34, ATEE9ASP435XW34, ATEE9ASP453LW26, ATEE9ASP455LN01, ATEE9ASP455LW01, ATEE9ASP543DN04, ATEE9ASP543DW04, ATEE9ASP545DW04, ATEE9ASP565XW01, ATEE9AWP433AW01, ATEE9AWP435AW01, ATHE9ASP453NW29, ATHE9ASP455NN29, ATHE9ASP455NW29, FTEE5ASP303ZW01, FTEE5ASP433LW01, FTGE5ASP303NW10, LTEE5AGP133ZW30, LTEE5ASP133FW01, LTEE5ASP135MW01, LTEE5ASP303WW01, LTEE5ASP303WW37, LTEE5ASP303ZW01, LTEE5ASP433AW01, LTEE5ASP433AW12, LTEE5ASP453VW26, LTEE5ASP543RW01, LTEE5ASP553KW01, LTLE5ASP543NW23, PTEE3FSP433AG01, TTHE5ASP303NW36, TTPE5ASP303NW36, YTEE5ASP133FW01, YTEE5ASP303NW10, ZTHE9ASP455NN29 and ZTHE9ASP455NW29
6	D510190P	Terminal Block Assembly	Includes 3 of item 7; Electric models; Models ATGE9ASP093CW01, ATGE9ASP095CW14, BTGE6ASP093CW01, LTGE5ASP093CW01, LTGE5ASP095CW01, PTGE3FSP093CG01, PTGE3FSP095CG01, YTGE5ASP093CW01 and YTGE5ASP095CW01
7	61199	Screw	
8	D510100	Cylinder Roller Bracket	
9	D510708P	Cylinder Roller	
10	23748	Retaining Ring	
11	52549	Washer	
12	D504082	Washer	
13	56461P	Shaft	
14	RB170002	Roller Kit	Includes 2 each of items 9-13
15	56156	Nut	

Heater Duct and Element Assembly

Electric Models



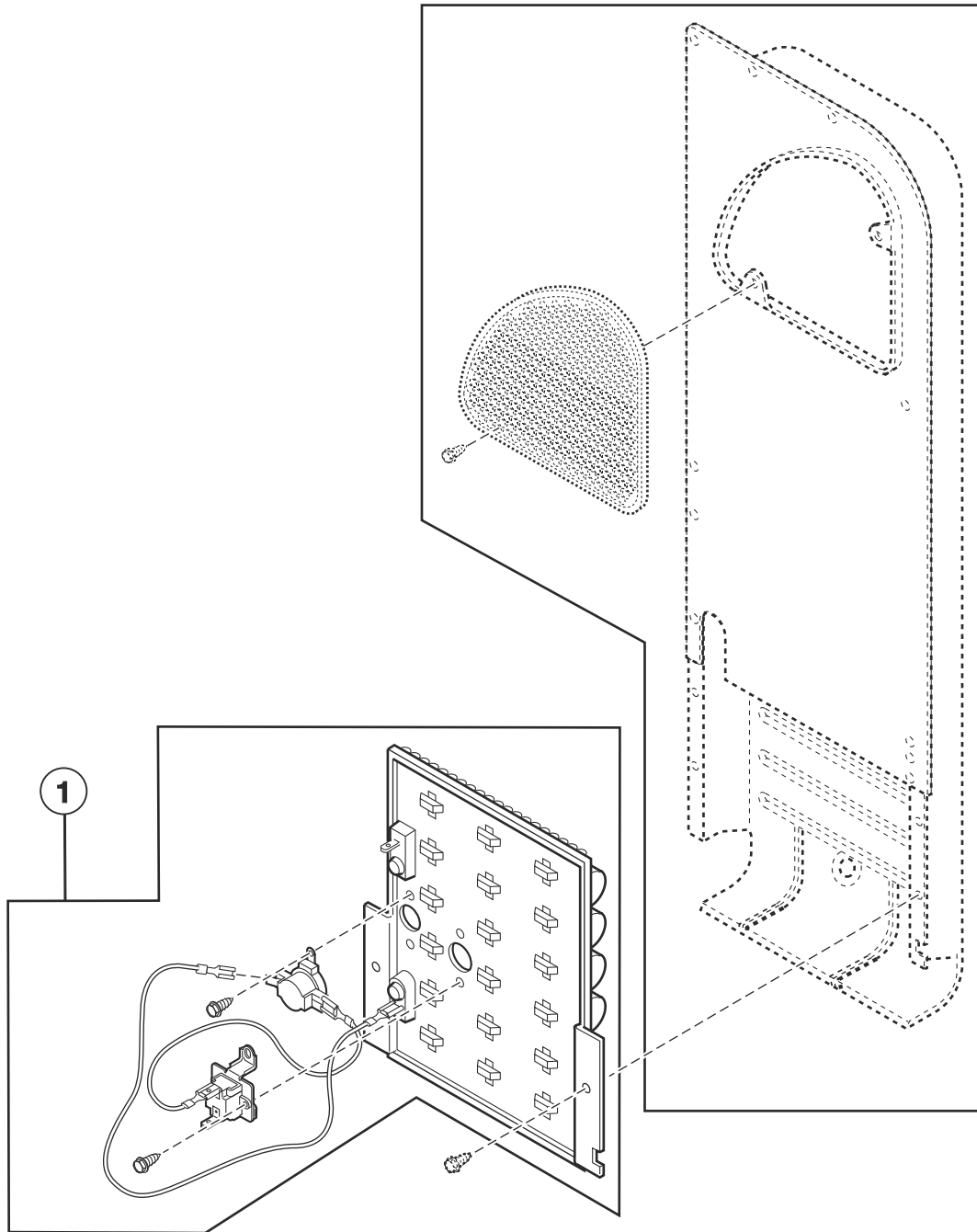
DRY1789P_806105

Heater Duct and Element Assembly

REF	PART NO.	DESCRIPTION	COMMENTS
1	D503688	Screw	
2	D518524	Outlet Cover	Black; Nitrocarburized
	D500820	Outlet Cover	Aluminized steel
3	D510025P	Heater Duct Assembly	Includes items 1 and 2
4	D518256	Wire Assembly	Orange; Thermostat jumper; Attaches to heater assembly
5	D518255	Wire Assembly	Black; Fuse jumper; Attaches to heater assembly
6	44253901	Manual Reset Thermostat	Model ATEE9ASP565XW01
	D518542	Thermal Fuse Assembly	All other models
7	23222	Screw	
8	D510700	Limit Thermostat	Models ATEE9ASG453NW36, ATEE9ASG455NW36, ATEE9ASP453LW26, ATEE9ASP455LN01, ATEE9ASP455LW01, ATEE9ASP565XW01, ATHE9ASP453NW29, ATHE9ASP455NN29, ATHE9ASP455NW29, LTEE5ASP453VW26, LTEE5ASP553KW01, ZTHE9ASP455NN29 and ZTHE9ASP455NW29
	D515873	Limit Thermostat	Models LTEE5ASP303WW01 and LTEE5ASP303WW37
	D510701	Limit Thermostat	All other models
9	D510329P	Heater Assembly	5.35 kW; 240 Volt; Models ATEE9ASP133DN04, ATEE9ASP133DW04, ATEE9ASP543DN04, ATEE9ASP543DW04, ATEE9ASP545DW04, BTEE6ASP173TW01, LTEA5FSP173TW01, LTEA5FSP173TW04, LTEE5ASP133FW01, LTEE5ASP135MW01, LTEE5ASP155TW01, LTEE5ASP173TW01, LTEE5ASP175TW01, LTEE5ASP333NW01, LTEE5ASP543NW01, LTEE5ASP543NW23, LTEE5ASP543RW01, LTEE5FSP175TW01, PTEE3FSP173TG01, PTEE3FSP175TG01, PTEE3FSP175TW01, UTEE5ASP173TW01, UTEE5ASP173TW08, UTEE5ASP175TW01, UTEE5ASP175TW08, YTEE5ASP133FW01, YTEE5ASP173TW01 and YTEE5ASP175TW01; Models LTEA5FSP153TW01, LTEA5FSP153TW04 and LTEE5ASP153TW01 starting Serial Nos. beginning 1601
	D510325P	Heater	4750 Watt; 208 Volt/60 Hertz; Models LTEA5FSP153TW01, LTEA5FSP153TW04 and LTEE5ASP153TW01 through Serial Nos. beginning 1512
	D510324P	Heater Assembly	5000 Watt; 240 Volt/60 Hertz; Models ATEE9ASP283CW01, ATEE9ASP285CW01, ATEE9ASP285CW14, BTEE6ASP283CW01, LTEE5ASP283CW01, LTEE5ASP285CW01, LTEE5ASP293CW01, LTEE5ASP295CW01, PTEE3FSP283CG01, PTEE3FSP285CG01, UTEE5ASP283CW01, UTEE5ASP285CW01, YTEE5ASP283CW01, YTEE5ASP285CW01 and ZTEE9ASP286CW01
	D510327P	Heater Assembly	4000 Watt; 240 Volt/50 Hertz; Models ATEE9AGP435AW01, ATEE9ASP433XW34, ATEE9ASP435XW34, ATEE9AWP433AW01, ATEE9AWP435AW01, FTEE5ASP433LW01, LTEE5ASP433AW01, LTEE5ASP433AW12 and PTEE3FSP433AG01
	D510326P	Heater Assembly	4800 Watt; 240 Volt/50 Hertz; Models FTEE5ASP303NW10, FTEE5ASP303ZW01, LTEE5AGP133ZW30, LTEE5ASP303WW01, LTEE5ASP303WW37, LTEE5ASP303ZW01, LTEE5FSP275TW01, TTHE5ASP303NW36 and YTEE5ASP303NW10
	D510328P	Heater Assembly	3100 Watt; 240 Volt/50 Hertz; Models ATEE9ASG453NW36, ATEE9ASG455NW36, ATEE9ASP453LW26, ATEE9ASP455LN01, ATEE9ASP455LW01, ATHE9ASP453NW29, ATHE9ASP455NN29, ATHE9ASP455NW29, LTEE5ASP453VW26, LTEE5ASP553KW01, ZTHE9ASP455NN29 and ZTHE9ASP455NW29
	D511503P	Heater Assembly	2800 Watt; 240 Volt/50 Hertz; Model ATEE9ASP565XW01

Heater Kit Assembly

Electric Models



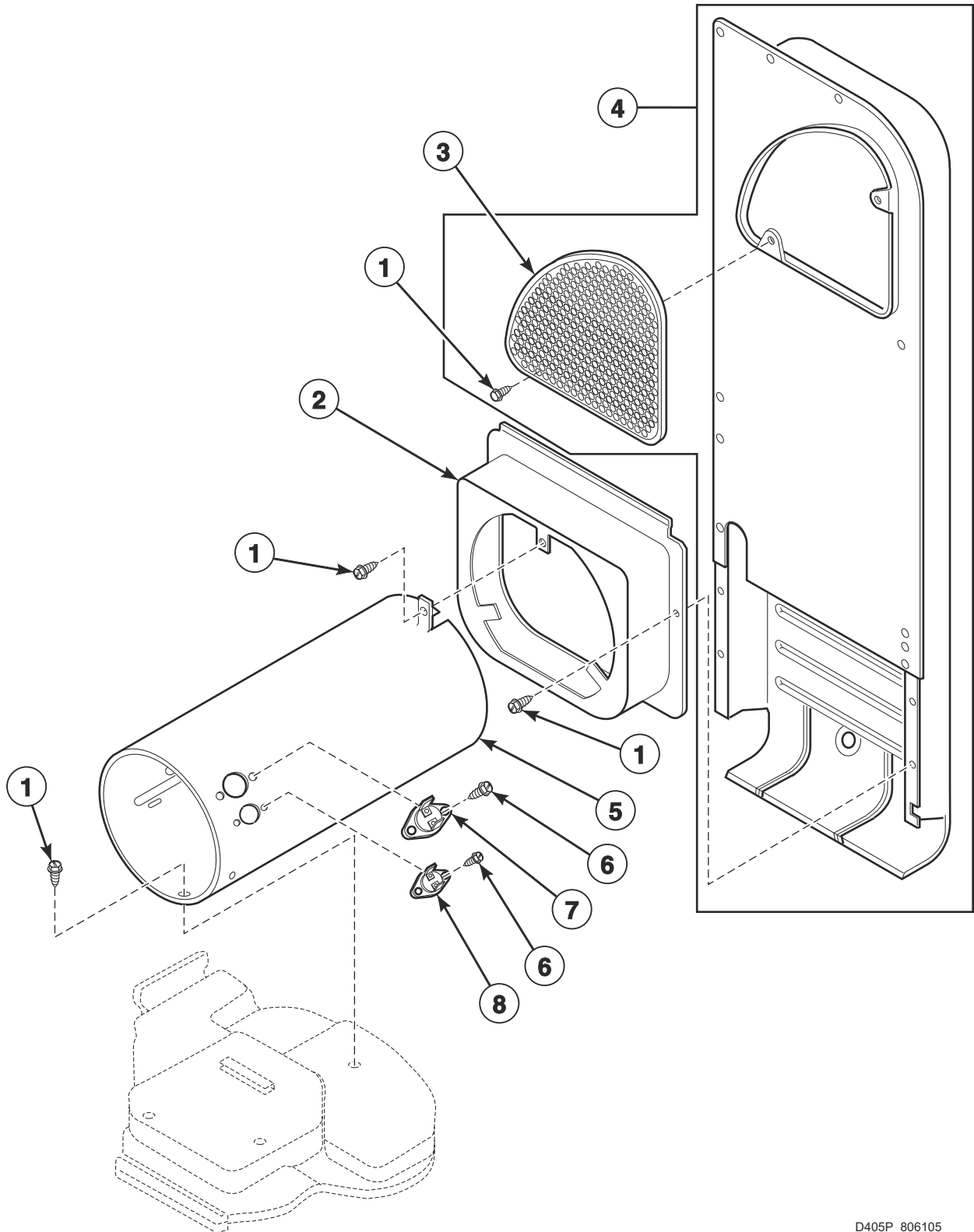
DRY1789PA_806105

Heater Kit Assembly

REF	PART NO.	DESCRIPTION	COMMENTS
1	61927	Heater Kit Assembly	5 kW; 240 Volt/60 Hertz; Includes wire assemblies, thermal fuse assembly and limit thermostat; Models ATEE9ASP283CW01, ATEE9ASP285CW01, ATEE9ASP285CW14, BTEE6ASP283CW01, LTEE5ASP283CW01, LTEE5ASP285CW01, LTEE5ASP293CW01, LTEE5ASP295CW01, PTEE3FSP283CG01, PTEE3FSP285CG01, UTEE5ASP283CW01, UTEE5ASP285CW01, YTEE5ASP283CW01, YTEE5ASP285CW01 and ZTEE9ASP286CW01
	964P3	Heater Kit	Includes factory-installed heater; 5.35 kW; 240 Volt; Includes wire assemblies, thermal fuse assembly and limit thermostat; Models ATEE9ASP133DN04, ATEE9ASP133DW04, ATEE9ASP543DN04, ATEE9ASP543DW04, ATEE9ASP545DW04, BTEE6ASP173TW01, LTEA5FSP173TW01, LTEA5FSP173TW04, LTEE5ASP133FW01, LTEE5ASP135MW01, LTEE5ASP155TW01, LTEE5ASP173TW01, LTEE5ASP175TW01, LTEE5ASP333NW01, LTEE5ASP543NW01, LTEE5ASP543NW23, LTEE5ASP543RW01, LTEE5FSP175TW01, LTEE5FSP275TW01, PTEE3FSP173TG01, PTEE3FSP175TG01, PTEE3FSP175TW01, UTEE5ASP173TW01, UTEE5ASP173TW08, UTEE5ASP175TW01, UTEE5ASP175TW08, YTEE5ASP133FW01, YTEE5ASP173TW01 and YTEE5ASP175TW01
	61928	Heater Kit Assembly	Optional conversion; 4750 Watt; 208 Volt/60 Hertz; Models LTEA5FSP153TW01, LTEA5FSP153TW04, LTEE5ASP153TW01 and LTEE5ASP155TW01
	61930	Heater Kit Assembly	4000 Watt; 240 Volt/50 Hertz; Models ATEE9AGP435AW01, ATEE9ASP433XW34, ATEE9ASP435XW34, ATEE9AWP433AW01, ATEE9AWP435AW01, FTEE5ASP433LW01, LTEE5ASP433AW01, LTEE5ASP433AW12 and PTEE3FSP433AG01
	61929	Heater Kit Assembly	4800 Watt; 240 Volt/50 Hertz; Models FTEE5ASP303NW10, FTEE5ASP303ZW01, LTEE5AGP133ZW30, LTEE5ASP303WW01, LTEE5ASP303WW37, LTEE5ASP303ZW01, TTHE5ASP303NW36 and YTEE5ASP303NW10
	61931	Heater Kit Assembly	3100 Watt; 240 Volt/50 Hertz; Models ATEE9ASG453NW36, ATEE9ASG455NW36, ATEE9ASP453LW26, ATEE9ASP455LN01, ATEE9ASP455LW01, ATHE9ASP453NW29, ATHE9ASP455NN29, ATHE9ASP455NW29, LTEE5ASP453VW26, LTEE5ASP553KW01, ZTHE9ASP455NN29 and ZTHE9ASP455NW29

Heater Duct Assembly

Gas Models



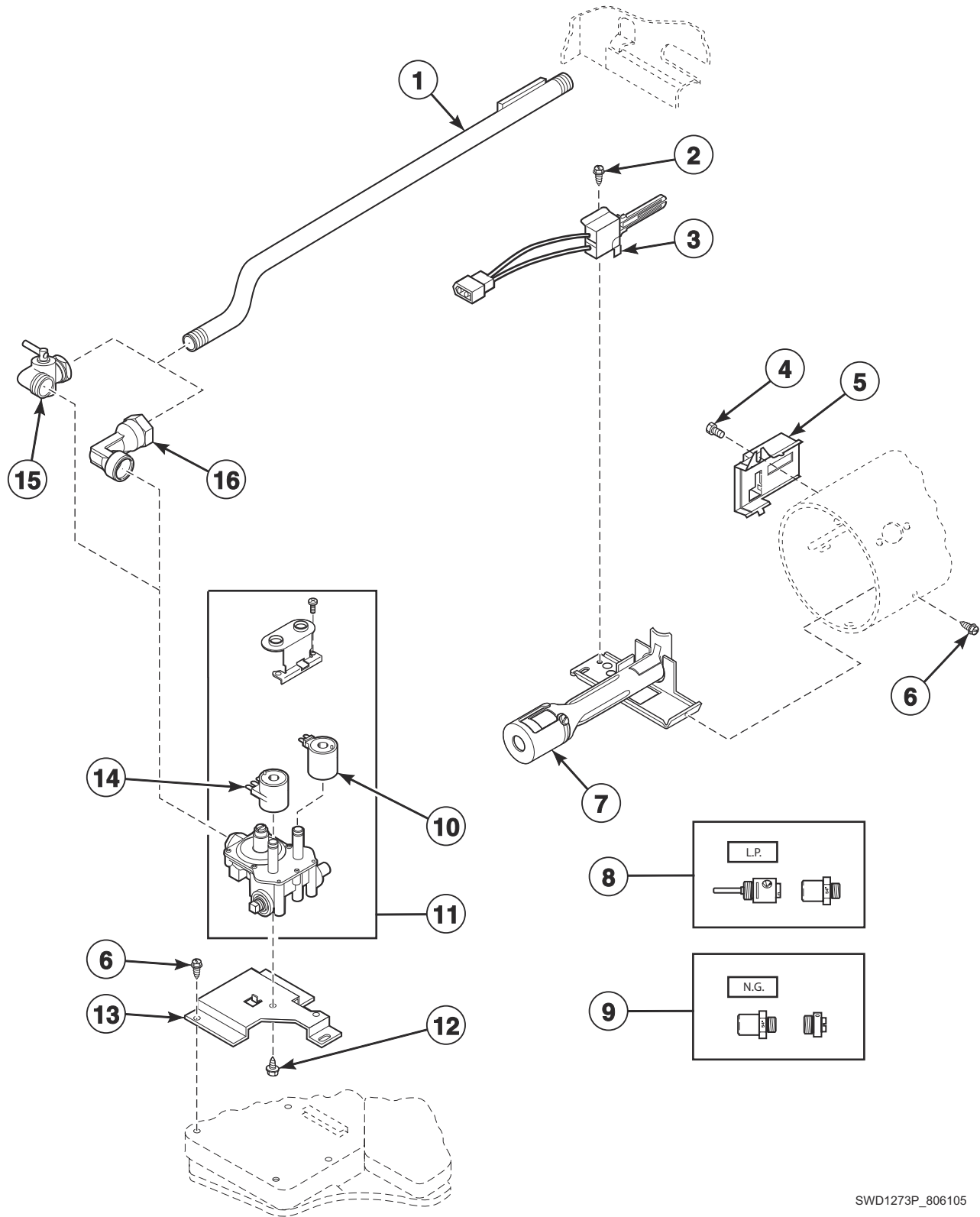
D405P_806105

Heater Duct Assembly

REF	PART NO.	DESCRIPTION	COMMENTS
1	D503688	Screw	
2	D510101	Heat Duct Shroud	
3	D518524	Outlet Cover	Black; Nitrocarburized
	D500820	Outlet Cover	Aluminized steel
4	D510025P	Heater Duct Assembly	Includes items 1 and 3
5	D510131	Combustion Duct	
6	51782	Screw	
7	D510702	Limit Thermostat	Black; Auto reset
8	D510703	Thermostat	Manual reset; Models ATGE9AGP305AW01, ATGE9ASP123DN04, ATGE9ASP123DW04, ATGE9ASP125DW04, ATGE9ASP303XW01, ATGE9ASP303XW26, ATGE9ASP305XW01, ATGE9ASP543DN04, ATGE9ASP543DW04, ATGE9ASP545DW04, ATGE9AWP303AW01, ATGE9AWP305AW01, ATLE9ASP305LW01, FTGE5ASP303NW10, LTGE5ASP113FW01, LTGE5ASP113JW01, LTGE5ASP303AW01, LTGE5ASP303AW12, LTLE5ASP303LW01, LTLE5ASP303NW35, LTLE5ASP543NW23, PTGE3FSP303AG01, YTGE5ASP113FW01 and YTGE5ASP303NW21

Gas Valve, Igniter and Gas Conversion Kits Through Serial No. 190800001

Gas Model Dryers except LTME5ASP543KW01



SWD1273P_806105

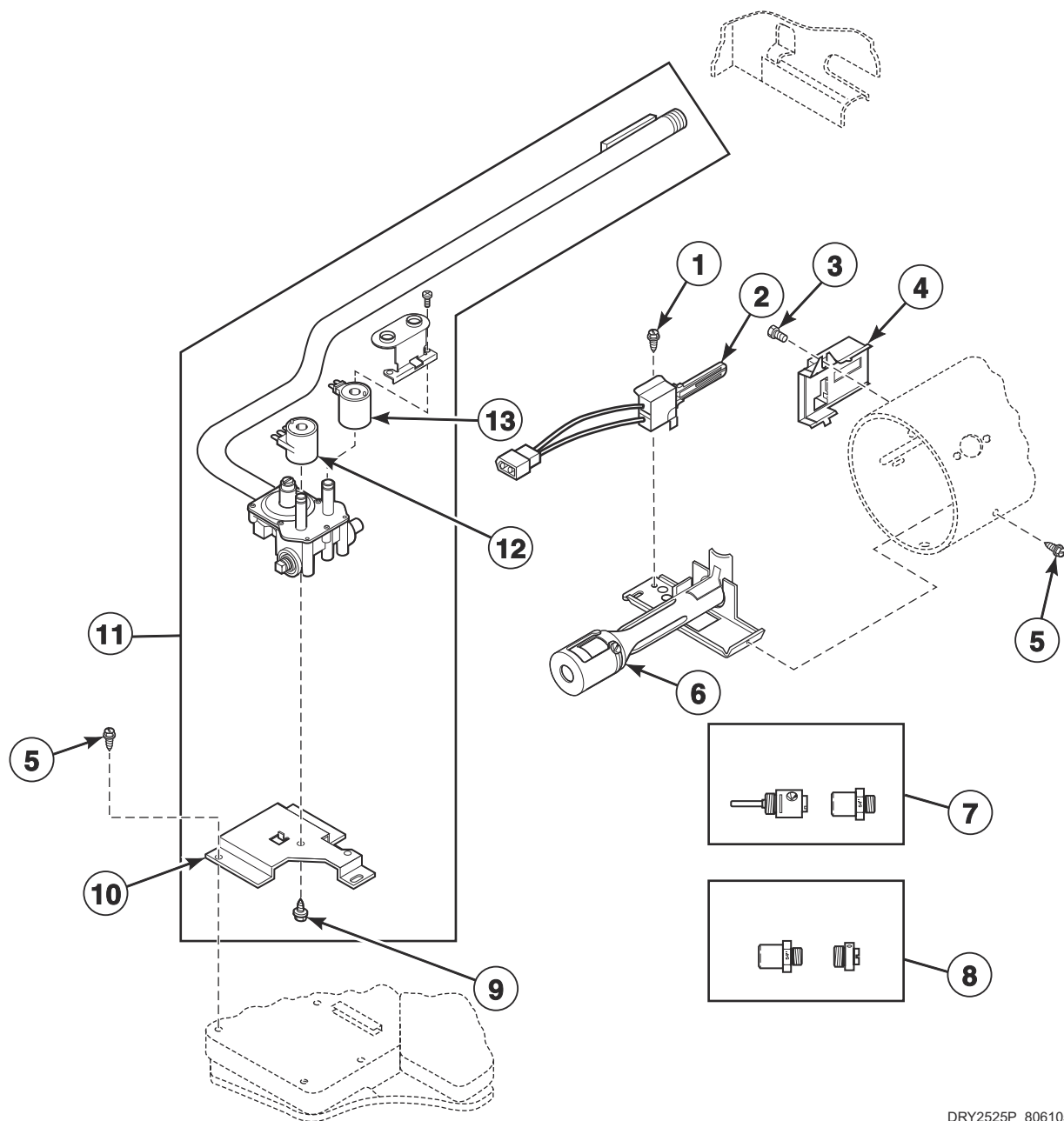
Gas Valve, Igniter and Gas Conversion Kits Through Serial No. 190800001

REF	PART NO.	DESCRIPTION	COMMENTS
	D516445	T.G. Conversion Kit	Used to convert dryers from Natural Gas (N.G.) to Town Gas (T.G.); Models ATGE9ASP303XW01, ATGE9ASP303XW26 and ATGE9ASP305XW01
1	D510204	Lead-In Pipe Assembly	
2	51782	Screw	
3	D510184P	Igniter and Bracket Assembly	
4	23222	Screw	
5	D510213	Sensor	
6	D503688	Screw	
7	D510149P	Burner Assembly	
8	401P3	L.P. Conversion Kit	Used to convert dryers from Natural Gas (N.G.) or Mixed Gas to Liquid Petroleum Gas (L.P.); 20,000 Btu; Models ATGE9AGP305AW01, ATGE9ASP303XW01, ATGE9ASP303XW26, ATGE9ASP305XW01, ATGE9AWP303AW01, ATGE9AWP305AW01, FTGE5ASP303NW10, LTGE5ASP303AW01, LTGE5ASP303AW12, PTGE3FSP303AG01 and YTGE5ASP303NW21
	649P3	L.P. Conversion Kit	Used to convert dryers from N.G. or Mixed Gas to L.P.; 22,500 Btu; All other models
9	402P3	N.G. Conversion Kit	Used to convert dryers from L.P. to N.G. or Mixed Gas; 20,000 Btu; Models ATGE9AGP305AW01, ATGE9ASP303XW01, ATGE9ASP303XW26, ATGE9ASP305XW01, ATGE9AWP303AW01, ATGE9AWP305AW01, FTGE5ASP303NW10, LTGE5ASP303AW01, LTGE5ASP303AW12, PTGE3FSP303AG01 and YTGE5ASP303NW21
	650P3	N.G. Conversion Kit	Used to convert dryers from L.P. to N.G. or Mixed Gas; 22,500 Btu; All other models
10	58804B	Secondary Coil	
11	D513630	Gas Valve Assembly	20,000 Btu; Includes items 10 and 14; Models ATLE9ASP305LW01, LTLE5ASP303LW01, LTLE5ASP303NW35 and TTPE5ASP303NW36
	D513631	Gas Valve Assembly	22,500 Btu; Includes items 10 and 14; Model LTLE5ASP543NW23
	59063P	Gas Valve Assembly	50 Hertz, 20,000 Btu; Models ATGE9AGP305AW01, ATGE9ASP303XW01, ATGE9ASP303XW26, ATGE9ASP305XW01, ATGE9AWP303AW01, ATGE9AWP305AW01, FTGE5ASP303NW10, LTGE5ASP303AW01, LTGE5ASP303AW12, PTGE3FSP303AG01 and YTGE5ASP303NW21
	D510506P	Gas Valve Assembly	60 Hertz, 22,500 Btu; All other models
12	56124	Screw	
13	D510128	Gas Valve Mounting Bracket	
14	58804A	Booster and Holding Coil	
15	D510205	Elbow Shut-Off Valve	Models ATGE9ASP303XW01, ATGE9ASP303XW26, ATGE9AWP303AW01, ATLE9ASP305LW01, FTGE5ASP303NW10, LTGE5ASP303AW01, LTGE5ASP303AW12, LTLE5ASP303LW01, LTLE5ASP303NW35, LTLE5ASP543NW23, PTGE3FSP303AG01 and YTGE5ASP303NW21 through Serial Nos. beginning 1707
16	D513072	Elbow	

Gas Valve, Igniter and Gas Conversion Kits

Starting Serial No. 1908000001

Gas Model Dryers except LTME5ASP543KW01



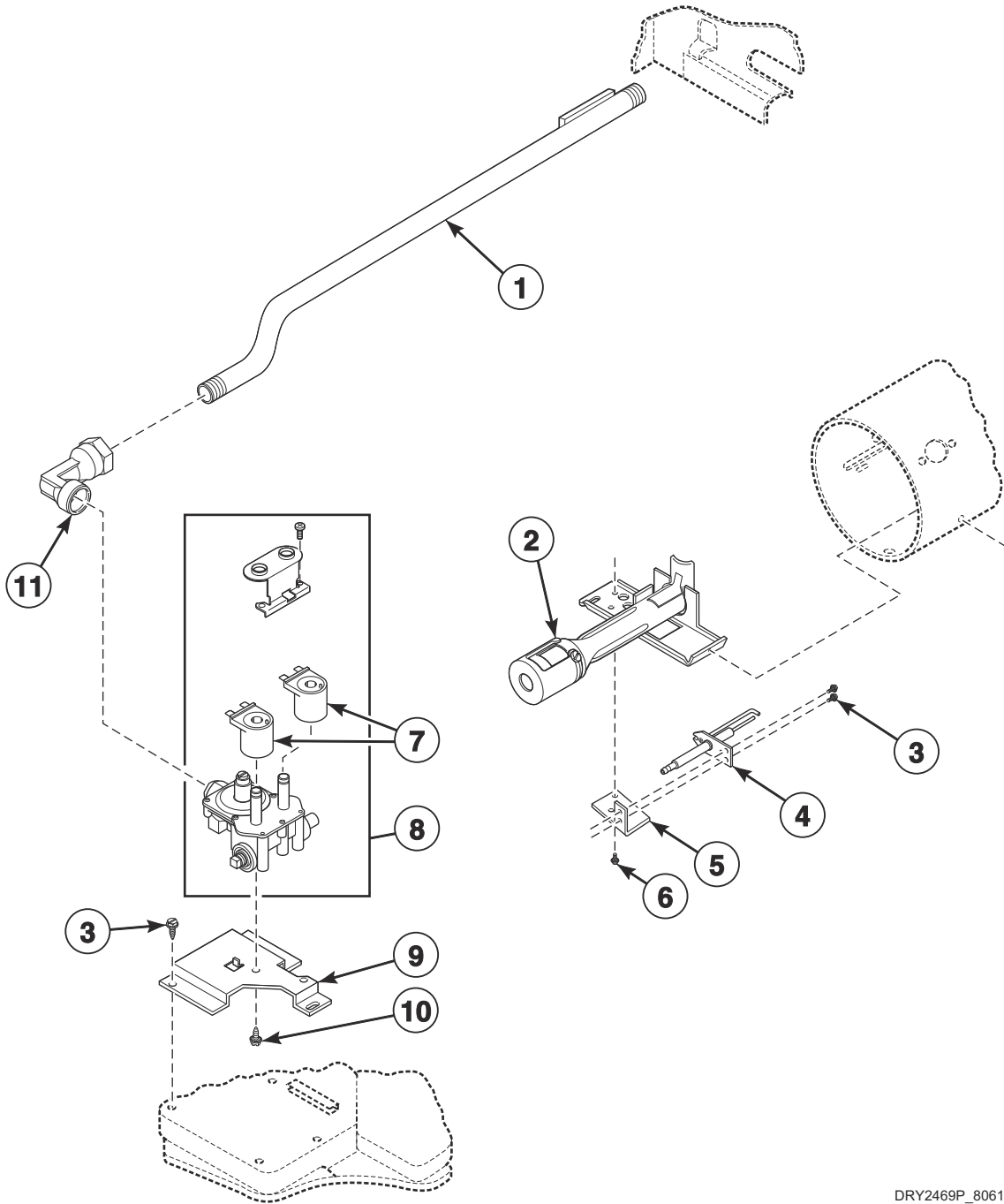
DRY2525P_806105

Gas Valve, Igniter and Gas Conversion Kits Starting Serial No. 1908000001

REF	PART NO.	DESCRIPTION	COMMENTS
	D516445	T.G. Conversion Kit	Used to convert dryers from Natural Gas (N.G.) to Town Gas (T.G.); Models ATGE9ASP303XW01, ATGE9ASP303XW26 and ATGE9ASP305XW01
1	51782	Screw	
2	D510184P	Igniter and Bracket Assembly	
3	23222	Screw	
4	D510213	Sensor	
5	D503688	Screw	
6	D510149P	Burner Assembly	
7	401P3	L.P. Conversion Kit	Used to convert dryers from Natural Gas (N.G.) or Mixed Gas to Liquid Petroleum Gas (L.P.); 20,000 Btu; Models ATGE9AGP305AW01, ATGE9ASP303XW01, ATGE9ASP303XW26, ATGE9ASP305XW01, ATGE9AWP303AW01, ATGE9AWP305AW01, FTGE5ASP303NW10, LTGE5ASP303AW01, LTGE5ASP303AW12, PTGE3FSP303AG01 and YTGE5ASP303NW21
	649P3	L.P. Conversion Kit	Used to convert dryers from N.G. or Mixed Gas to L.P.; 22,500 Btu; All other models
8	402P3	N.G. Conversion Kit	Used to convert dryers from L.P. to N.G. or Mixed Gas; 20,000 Btu; Models ATGE9AGP305AW01, ATGE9ASP303XW01, ATGE9ASP303XW26, ATGE9ASP305XW01, ATGE9AWP303AW01, ATGE9AWP305AW01, FTGE5ASP303NW10, LTGE5ASP303AW01, LTGE5ASP303AW12, PTGE3FSP303AG01 and YTGE5ASP303NW21
	650P3	N.G. Conversion Kit	Used to convert dryers from L.P. to N.G. or Mixed Gas; 22,500 Btu; All other models
9	56124	Screw	
10	D510128	Gas Valve Mounting Bracket	
11	D517611	Gas Valve, Bracket and Pipe Assembly	50 Hertz, 20,000 Btu; L.P.; Includes items 9-13; Models ATLE9ASP305LW01, LTLE5ASP303LW01, LTLE5ASP303NW35 and TTPE5ASP303NW36
	D517612	Gas Valve, Bracket and Pipe Assembly	60 Hertz, 22,500 Btu; L.P.; Includes items 9-13; Model LTLE5ASP543NW23
	D517607	Gas Valve, Bracket and Pipe Assembly	50 Hertz, 20,000 Btu; N.G.; Includes items 9-13; Models ATGE9AGP305AW01, ATGE9ASP303XW01, ATGE9ASP303XW26, ATGE9ASP305XW01, ATGE9AWP303AW01, ATGE9AWP305AW01, FTGE5ASP303NW10, LTGE5ASP303AW01, LTGE5ASP303AW12, PTGE3FSP303AG01 and YTGE5ASP303NW21
	D517609	Gas Valve, Bracket and Pipe Assembly	60 Hertz, 22,500 Btu; N.G.; Includes items 9-13; All other models
12	58804A	Booster and Holding Coil	
13	58804B	Secondary Coil	

Gas Valve Through Serial No. 1908000001

Model LTME5ASP543KW01



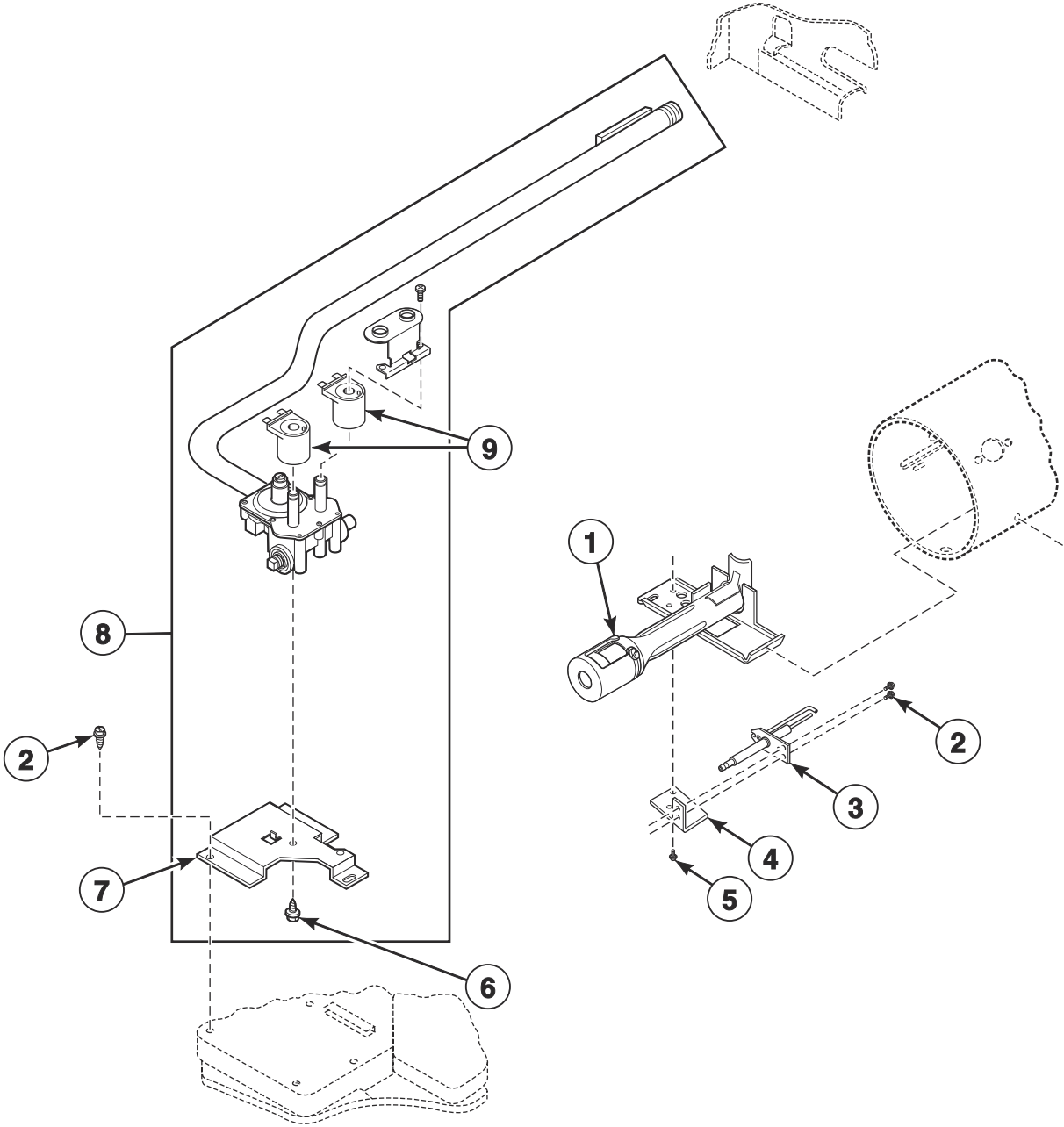
DRY2469P_806105

Gas Valve Through Serial No. 1908000001

REF	PART NO.	DESCRIPTION	COMMENTS
1	D510204	Lead-In Pipe Assembly	
2	D510149P	Burner Assembly	
3	D503688	Screw	
4	44328701P	Spark Electrode	
5	D516238	Bracket	
6	51782	Screw	
7	D516699	Gas Valve Coil	24 Vac; 50-60 Hertz
8	D516182	Gas Valve Assembly	50-60 Hertz, 22,500 Btu; Natural Gas (N.G.); Includes item 7
9	D510128	Gas Valve Mounting Bracket	
10	56124	Screw	
11	D513072	Elbow	

Gas Valve Starting Serial No. 1908000001

Model LTME5ASP543KW01



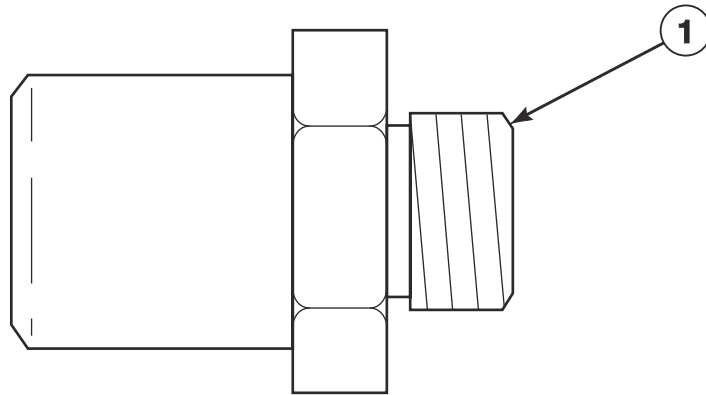
DRY2526P_806105

Gas Valve Starting Serial No. 1908000001

REF	PART NO.	DESCRIPTION	COMMENTS
1	D510149P	Burner Assembly	
2	D503688	Screw	
3	44328701P	Spark Electrode	
4	D516238	Bracket	
5	51782	Screw	
6	56124	Screw	
7	D510128	Gas Valve Mounting Bracket	
8	D517610	Gas Valve, Bracket and Pipe Assembly	50-60 Hertz, 22,500 Btu; Natural Gas (N.G.); Includes items6-9
9	D516699	Gas Valve Coil	24 Vac; 50-60 Hertz

Burner Orifice Spuds - For Higher Elevations

Gas Models

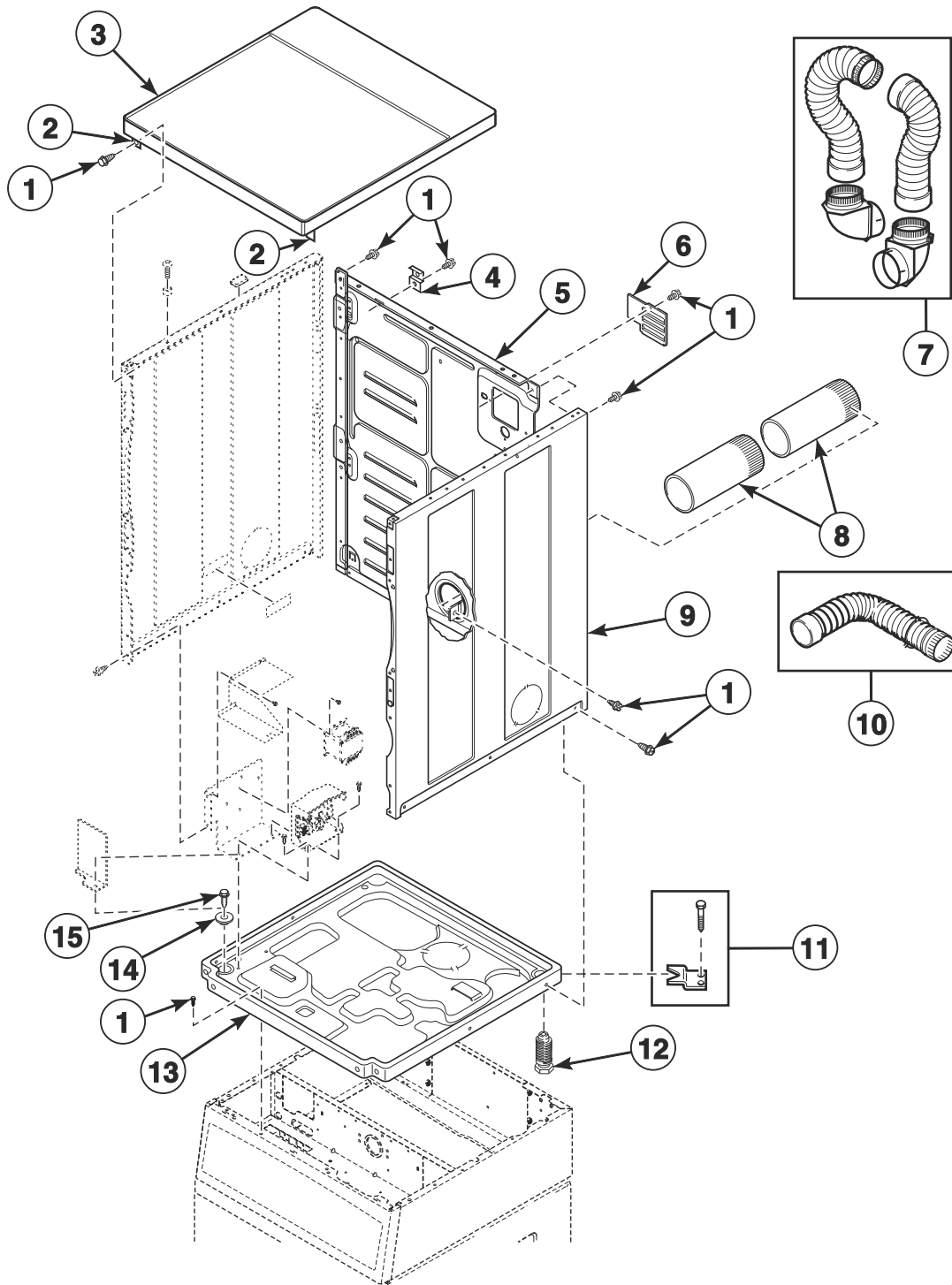


DRY2266P_806105

Burner Orifice Spuds - For Higher Elevations

REF	PART NO.	DESCRIPTION	COMMENTS
1	58755	L.P. Orifice	22,500 Btu; 3000-7999 feet (915-2439 m)
	D503786	L.P. Orifice	22,500 Btu; 8000 feet (2440 m) and higher
	D503778	N.G. Orifice	22,500 Btu; 3000-5999 feet (915-1829 m)
	58719	Screw Orifice	Natural Gas (N.G.); 22,500 Btu; 6000-7999 feet (1830-2439 m)
	D503779	N.G. Orifice	22,500 Btu; 8000-8999 feet (2440-2739 m)
	D503780	N.G. Orifice	22,500 Btu; 9000-9999 feet (2740-3049 m)
	D503781	N.G. Orifice	22,500 Btu; 10,000 feet (3050 m) and higher

Dryer Cabinet, Exhaust Duct and Base (Drawing 1 of 2)

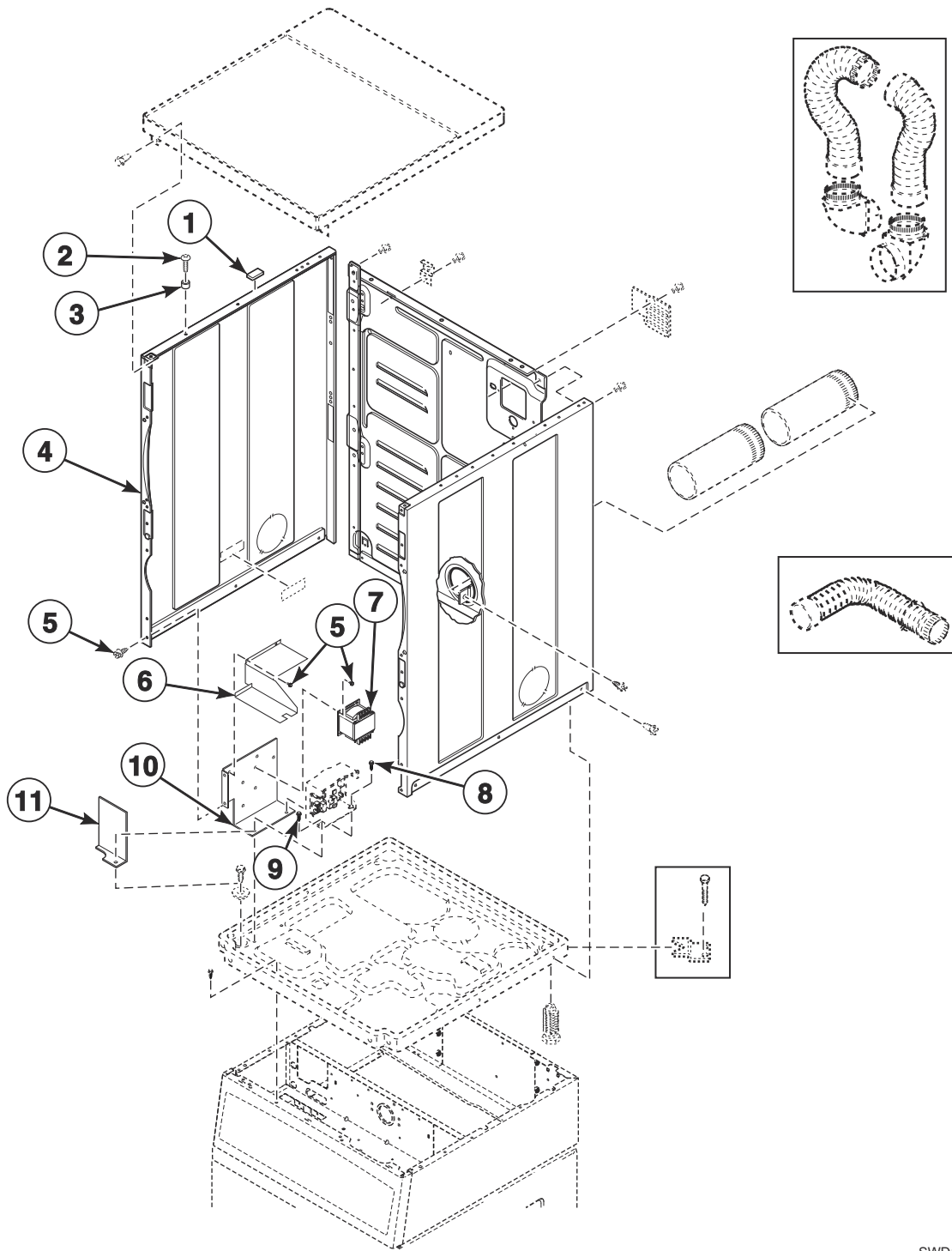


SWD1300P_806105

Dryer Cabinet, Exhaust Duct and Base (Drawing 1 of 2)

REF	PART NO.	DESCRIPTION	COMMENTS
	122P4P	Porcelain Touch-Up Paint	White
	806436P	Paint	Gray
1	D503688	Screw	Use with painted panels
	D512921	Screw	Use with stainless steel panels
2	D510146	Bracket	
3	D510032WP	Top Kit	White
	D510032DG	Top Panel	Gray
	D513224	Top and Bracket Assembly	Stainless steel
4	D510136	Top Hinge	
5	D514632P	Cabinet Rear Panel	Through Serial No. 1912999999
	D517566	Cabinet Rear Panel	Starting Serial No. 2001000001
6	D514356	Access Cover Plate	Without louvers
	D510903	Access Panel Plate	With louvers
7	521P3	Flexible Venting Kit	
8	D516196	Exhaust Duct	
9	D510002WP	Cabinet Side Panel	Right; White
	D510002DGP	Cabinet Side Panel	Right; Gray
	D512539	Cabinet Side Panel	Right; Stainless steel
10	528P3	Directional Exhaust Kit	Used to vent dryer out the sides
11	526P3	Hold Down Kit	For mobile home installations
12	D510135	Leveling Leg	
13	D514245	Dryer Base	
14	26509	Washer	
15	36048	Screw	

Dryer Cabinet, Exhaust Duct and Base (Drawing 2 of 2)

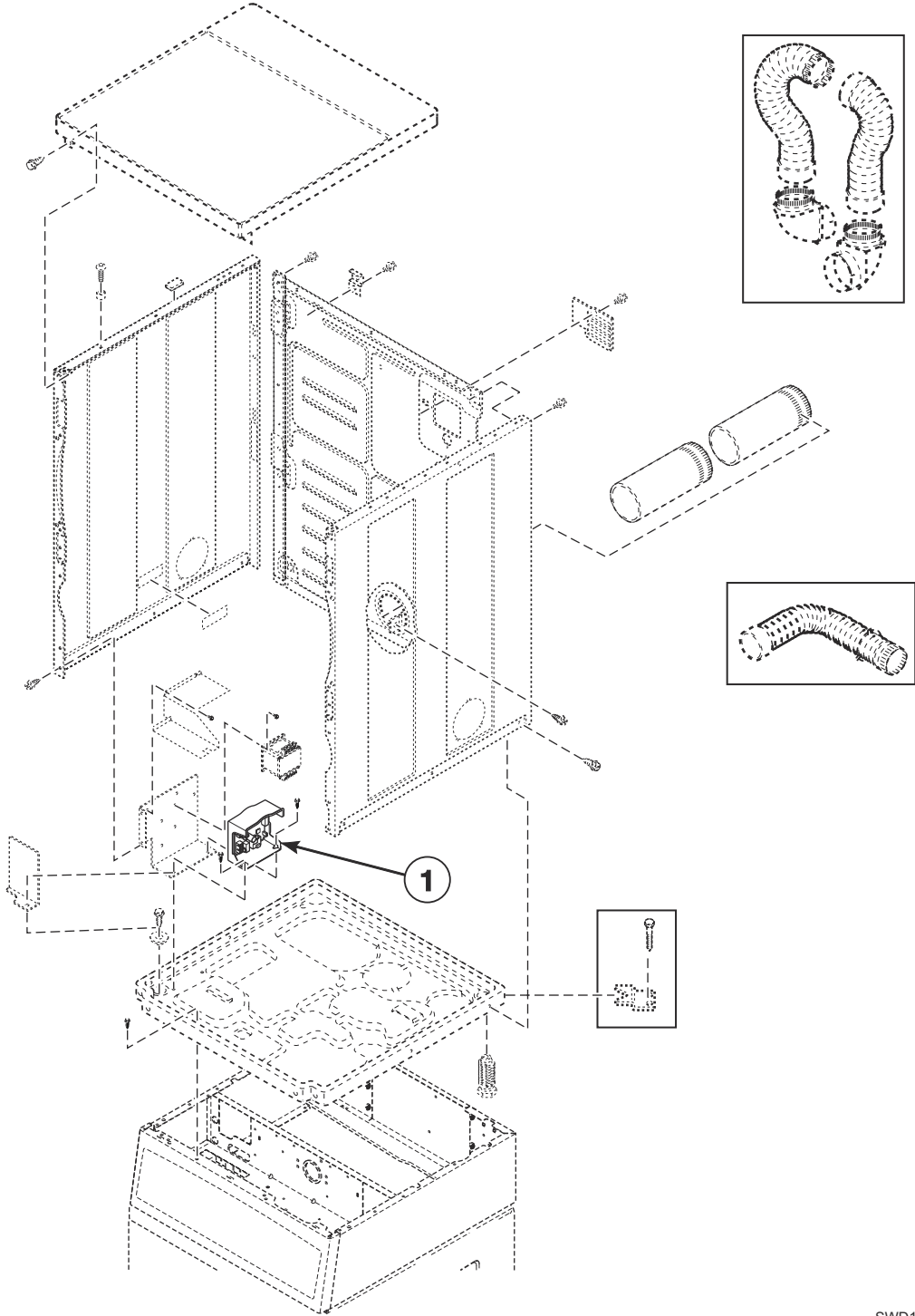


SWD1300PA_806105

Dryer Cabinet, Exhaust Duct and Base (Drawing 2 of 2)

REF	PART NO.	DESCRIPTION	COMMENTS
1	56128	Bumper Pad	
2	39733	Screw	Use with painted panels
	806276	Screw	Use with stainless steel panels
3	56079	Panel Locator	
4	D510001WP	Cabinet Side Panel	Left; White
	D510001DGP	Cabinet Side Panel	Left; Gray
	D512538	Cabinet Side Panel	Left; Stainless steel
5	D503688	Screw	
6	D514334	Transformer Shield	Models ATGE9AGP305AW01, ATGE9ASP303XW01, ATGE9ASP303XW26, ATGE9ASP305XW01, ATGE9ASP543DN04, ATGE9ASP543DW04, ATGE9ASP545DW04, ATGE9AWP303AW01, ATGE9AWP305AW01, ATLE9ASP305LW01, FTGE5ASP303NW10, LTGE5ASP303AW01, LTGE5ASP303AW12, LTLE5ASP303LW01, LTLE5ASP303NW35, LTLE5ASP543NW23, PTGE3FSP303AG01, TTPE5ASP303NW36 and YTGE5ASP303NW21
7	D513763P	Transformer	Models ATGE9AGP305AW01, ATGE9ASP303XW01, ATGE9ASP303XW26, ATGE9ASP305XW01, ATGE9ASP543DN04, ATGE9ASP543DW04, ATGE9ASP545DW04, ATGE9AWP303AW01, ATGE9AWP305AW01, ATLE9ASP305LW01, FTGE5ASP303NW10, LTGE5ASP303AW01, LTGE5ASP303AW12, LTLE5ASP303LW01, LTLE5ASP303NW35, LTLE5ASP543NW23, PTGE3FSP303AG01, TTPE5ASP303NW36 and YTGE5ASP303NW21
8	804667	Screw	
9	D514428	Screw	
10	D511859	Contacto Bracket	Models ATGE9AGP305AW01, ATGE9ASP303XW01, ATGE9ASP303XW26, ATGE9ASP305XW01, ATGE9ASP543DN04, ATGE9ASP543DW04, ATGE9ASP545DW04, ATGE9AWP303AW01, ATGE9AWP305AW01, ATLE9ASP305LW01, FTGE5ASP303NW10, LTGE5ASP303AW01, LTGE5ASP303AW12, LTLE5ASP303LW01, LTLE5ASP303NW35, LTLE5ASP543NW23, PTGE3FSP303AG01, TTPE5ASP303NW36 and YTGE5ASP303NW21
11	D514420	Output Board Shield	Models ATEE9AGP435AW01, ATEE9ASP133DN04, ATEE9ASP133DW04, ATEE9ASP433XW34, ATEE9ASP435XW34, ATEE9ASP453LW26, ATEE9ASP455LN01, ATEE9ASP455LW01, ATEE9ASP543DN04, ATEE9ASP543DW04, ATEE9ASP545DW04, ATEE9ASP565XW01, ATEE9AWP433AW01, ATEE9AWP435AW01, ATHE9ASP453NW29, FTEE5ASP303ZW01, FTEE5ASP433LW01, LTEE5AGP133ZW30, LTEE5ASP133FW01, LTEE5ASP135MW01, LTEE5ASP303WW01, LTEE5ASP303WW37, LTEE5ASP303ZW01, LTEE5ASP433AW01, LTEE5ASP433AW12, LTEE5ASP453VW26, LTEE5ASP543RW01, LTEE5ASP553KW01, LTME5ASP543KW01 and PTEE3FSP433AG01

Output Control Assembly Through Serial No. 1912999999

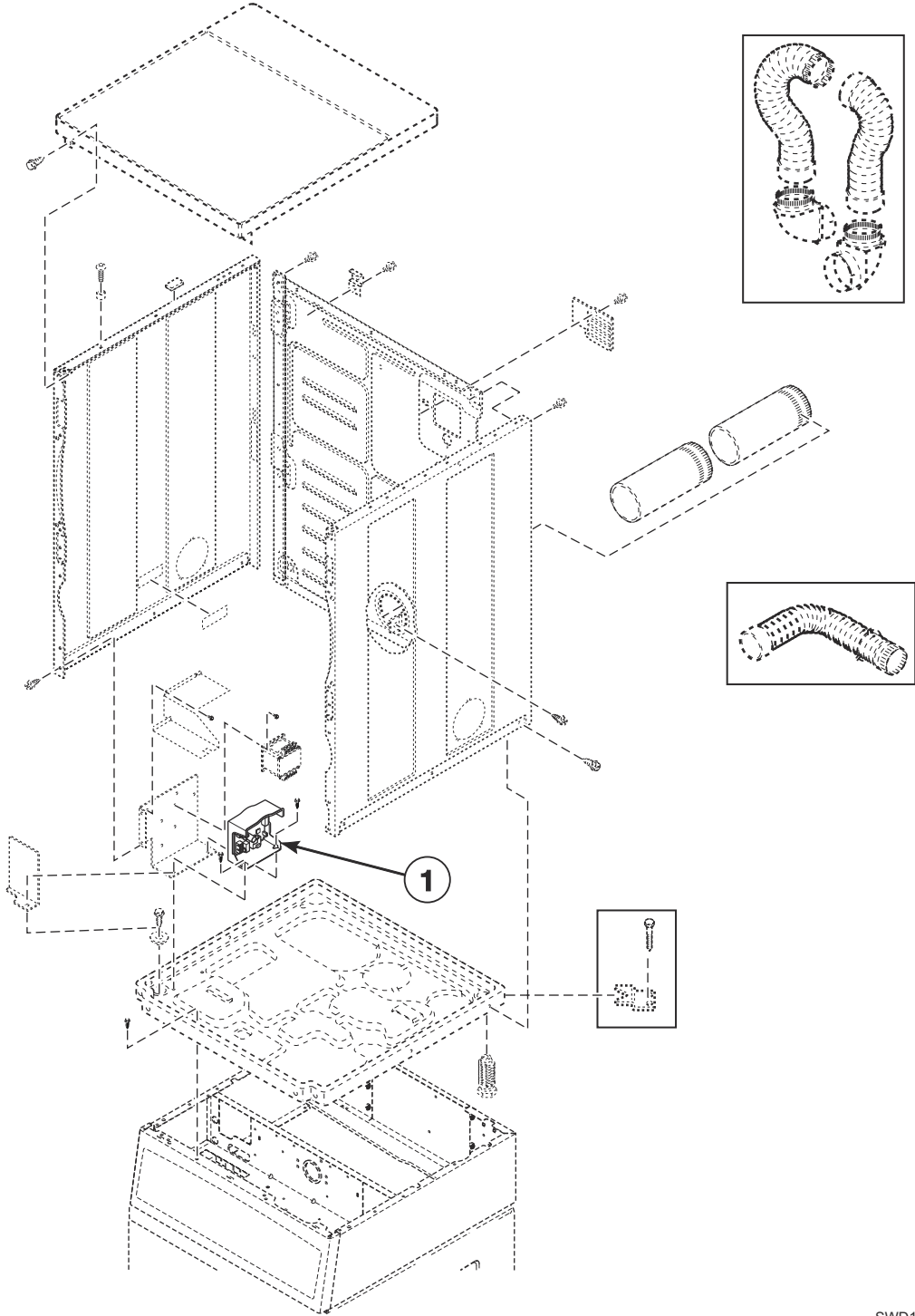


SWD1300PB_806105

Output Control Assembly Through Serial No. 1912999999

REF	PART NO.	DESCRIPTION	COMMENTS
1	D517269	Output Control Assembly	Models ATEE9ASG453NW36, ATEE9ASG455NW36, ATHE9ASP453NW29, ATHE9ASP455NN29, ATHE9ASP455NW29, FTEE5ASP303NW10, FTGE5ASP303NW10, LTEE5ASP333NW01, LTEE5ASP543NW01, LTEE5ASP543NW23, LTLE5ASP303NW35, LTLE5ASP543NW23, TTHE5ASP303NW36, TTPE5ASP303NW36, YTEE5ASP303NW10, YTGE5ASP303NW21, ZTHE9ASP455NN29 and ZTHE9ASP455NW29
	D513797P	Output Control Assembly	All other models

Output Control Assembly Starting Serial No. 2001000001



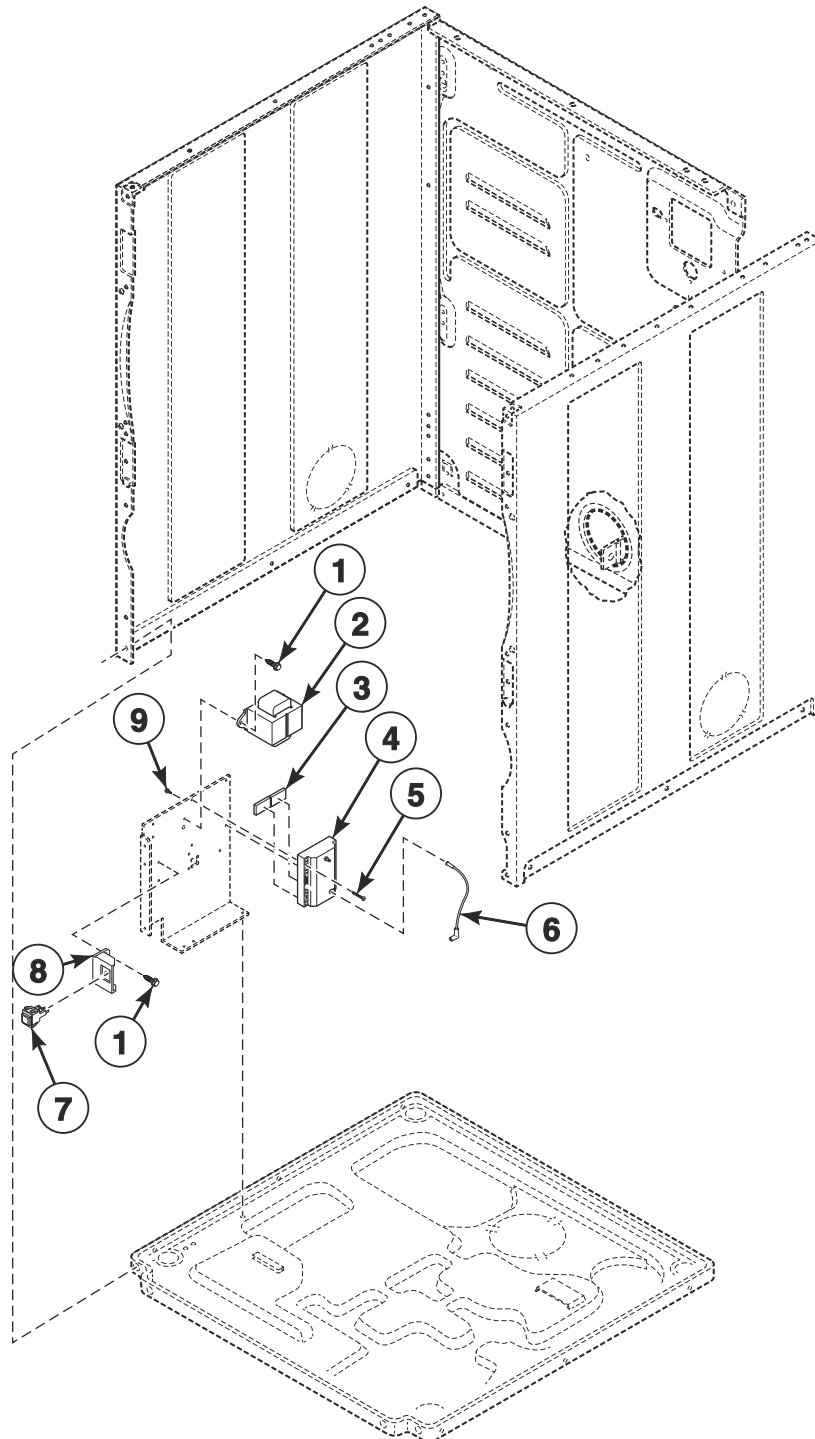
SWD1300PB_806105

Output Control Assembly Starting Serial No. 2001000001

REF	PART NO.	DESCRIPTION	COMMENTS
1	D517191P	Output Control Assembly	Models ATEE9ASG455NW36, ATHE9ASP455NN29, ATHE9ASP455NW29, FTEE5ASP303NW10, FTGE5ASP303NW10, LTEE5ASP155TW01, LTEE5ASP175TW01, LTEE5ASP543NW01, LTEE5ASP543NW23, LTEE5FSP175TW01, LTEE5FSP275TW01, LTGE5ASP115TW01, LTGE5FSP115TW01, LTLE5ASP303NW35, LTLE5ASP543NW23, TTHE5ASP303NW36, TTPE5ASP303NW36, UTEE5ASP175TW01, UTEE5ASP175TW08, UTEE5ASP285CW01, UTGE5ASP115TW01, UTGE5ASP115TW08, YTEE5ASP175TW01, YTEE5ASP285CW01, YTGE5ASP095CW01, YTGE5ASP115TW01, ZTEE9ASP286CW01 and ZTGE9ASP096CW01
	D517319	Output Control Assembly	All other models

Ignition Control Module

Model LTME5ASP543KW01



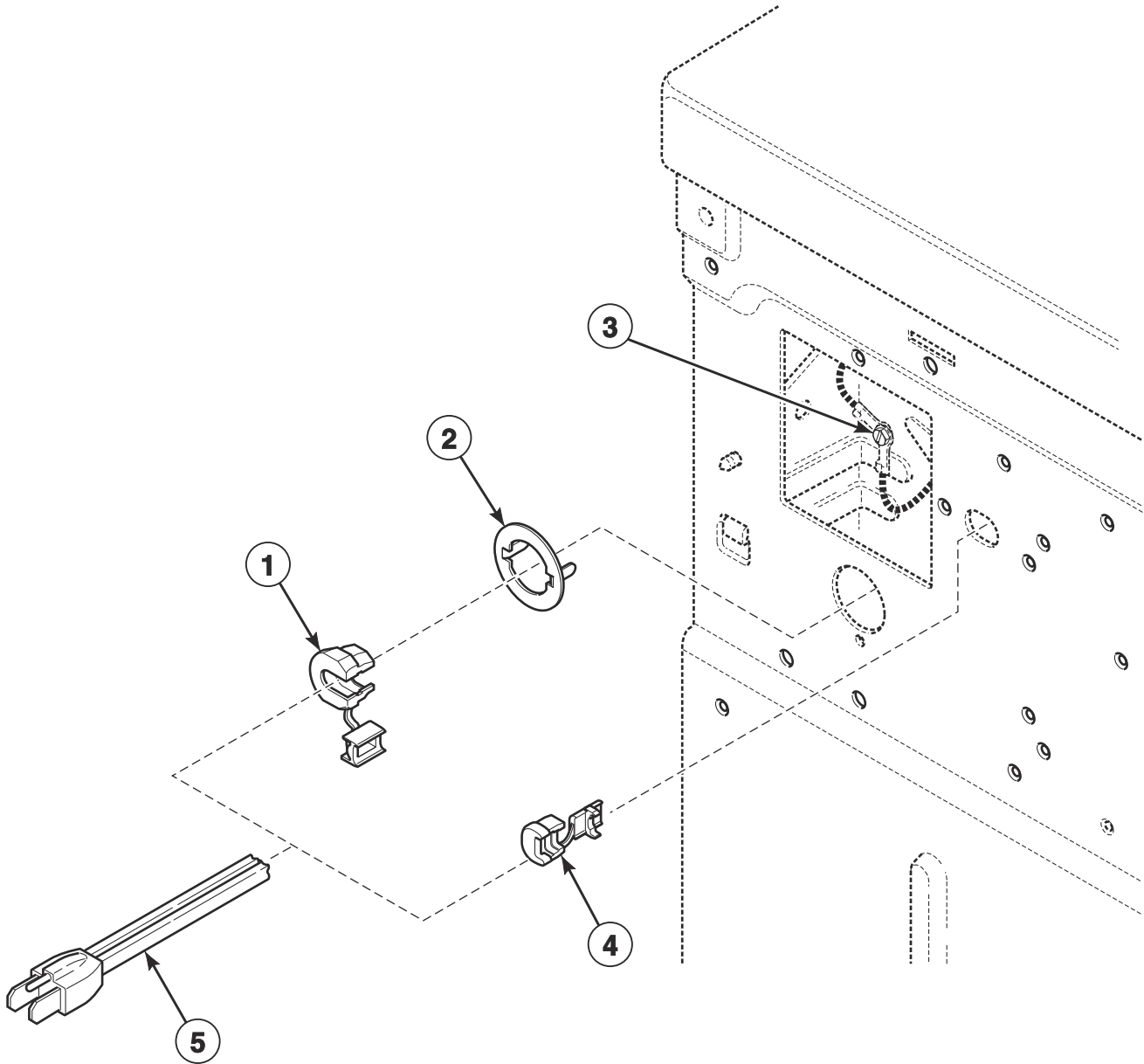
DRY2483P_806105

Ignition Control Module

REF	PART NO.	DESCRIPTION	COMMENTS
	D516881	ICM Gas Harness	
1	D503688	Screw	
2	202758	Transformer	
3	56128	Bumper Pad	
4	70483201P	Ignition Control	
5	D516261	Screw	
6	44239706	High Voltage Suppression Cable	
7	M413431	Pushbutton Switch	Lighted
8	D516237	Switch Bracket	
9	38272	Screw	

Dryer Lead-In Cord

Models ATEE9ASG453NW36, ATEE9ASG455NW36, ATGE9ASP093CW01, ATGE9ASP095CW01, ATGE9ASP095CW14, ATHE9ASP453NW29, ATHE9ASP455NN29, ATHE9ASP455NW29, BTGE6ASP093CW01, BTGE6ASP113TW01, LTEE5FSP275TW01, LTGA5FSP113TW01, LTGE5ASP093CW01, LTGE5ASP095CW01, LTGE5ASP113TW01, LTGE5ASP115TW01, LTGE5ASP125MW01, LTGE5FSP115TW01, LTLE5ASP303NW35, LTLE5ASP543NW23, PTGE3FSP093CG01, PTGE3FSP095CG01, PTGE3FSP113TG01, PTGE3FSP115TG01, PTGE3FSP115TW01, TTHE5ASP303NW36, TTPE5ASP303NW36, UTGE5ASP113TW01, UTGE5ASP113TW08, UTGE5ASP115TW01, UTGE5ASP115TW08, YTGE5ASP093CW01, YTGE5ASP095CW01, YTGE5ASP113TW01, YTGE5ASP115TW01, ZTGE9ASP096CW01, ZTHE9ASP455NN29 and ZTHE9ASP455NW29



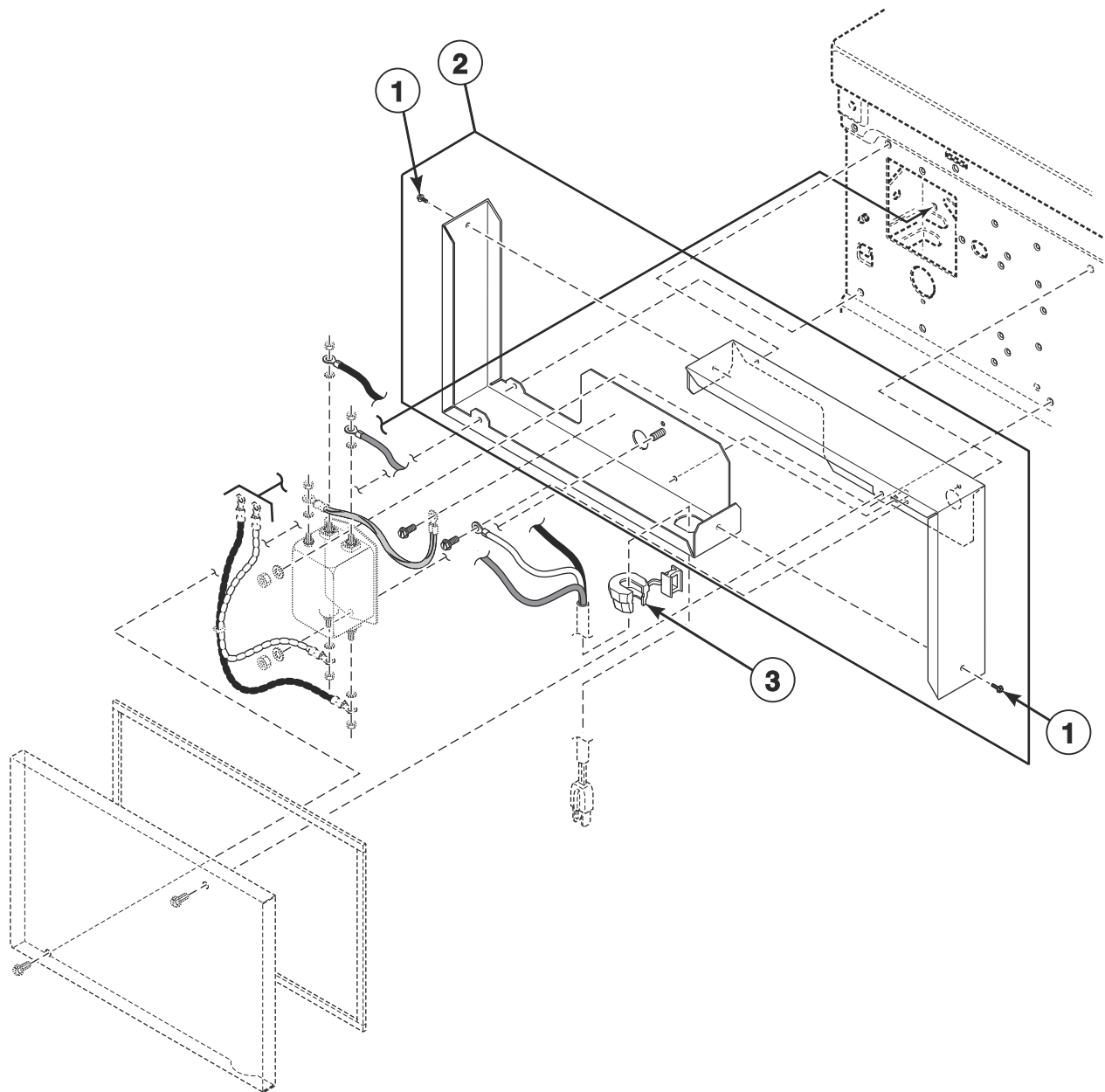
SWD1222P_806105

Dryer Lead-In Cord

REF	PART NO.	DESCRIPTION	COMMENTS
1	D511628	Strain Relief Connector	Models ATEE9ASG453NW36, ATEE9ASG455NW36, ATGE9ASP093CW01, ATGE9ASP095CW01, ATGE9ASP095CW14, BTGE6ASP093CW01, LTGE5ASP093CW01, LTGE5ASP095CW01, PTGE3FSP093CG01, PTGE3FSP095CG01, YTGE5ASP093CW01, YTGE5ASP095CW01 and ZTGE9ASP096CW01
2	D502496	Strain Relief Adapter	Models ATEE9ASG453NW36, ATEE9ASG455NW36, ATHE9ASP453NW29, ATHE9ASP455NN29, ATHE9ASP455NW29, TTHE5ASP303NW36, TTPE5ASP303NW36, ZTHE9ASP455NN29 and ZTHE9ASP455NW29
3	20530	Screw	
4	52113	Strain Relief	Models ATHE9ASP453NW29, ATHE9ASP455NN29, ATHE9ASP455NW29, TTHE5ASP303NW36, TTPE5ASP303NW36, ZTHE9ASP455NN29 and ZTHE9ASP455NW29
	38384	Strain Relief	Models ATHE9ASP453NW29, ATHE9ASP455NN29, ATHE9ASP455NW29, BTGE6ASP113TW01, LTGA5FSP113TW01, LTGE5ASP113TW01, LTGE5ASP115TW01, LTGE5ASP125MW01, LTGE5FSP115TW01, LTLE5ASP303NW35, LTLE5ASP543NW23, PTGE3FSP113TG01, PTGE3FSP115TG01, TTHE5ASP303NW36, TTPE5ASP303NW36, UTGE5ASP113TW01, UTGE5ASP113TW08, UTGE5ASP115TW01, UTGE5ASP115TW08, YTGE5ASP113TW01, YTGE5ASP115TW01, ZTHE9ASP455NN29 and ZTHE9ASP455NW29
5	58992	Power Cord Assembly	Models ATGE9ASP093CW01, ATGE9ASP095CW01, ATGE9ASP095CW14, BTGE6ASP093CW01, LTGE5ASP093CW01, LTGE5ASP095CW01, PTGE3FSP093CG01, PTGE3FSP095CG01, YTGE5ASP093CW01, YTGE5ASP095CW01 and ZTGE9ASP096CW01
	D506081	Power Cord Assembly	Model LTLE5ASP303NW35
	D515971	Lead-In Cord	Models ATHE9ASP453NW29, ATHE9ASP455NN29, ATHE9ASP455NW29, ZTHE9ASP455NN29 and ZTHE9ASP455NW29
	D516747	Lead-In Cord Assembly	Model TTHE5ASP303NW36
	D513632	Lead-In Cord	Models ATEE9ASG453NW36, ATEE9ASG455NW36 and TTPE5ASP303NW36
	203344	Lead-In Cord	Model LTLE5ASP543NW23
	D510505P	Lead-In Cord Assembly	Model LTEE5FSP275TW01
	202777	Lead-In Cord	All other models

Dryer Junction Box (Drawing 1 of 3)

Models LTEE5ASP133FW01, LTEE5ASP553KW01, LTGE5ASP113FW01, LTME5ASP543KW01, YTEE5ASP133FW01 and YTGE5ASP113FW01



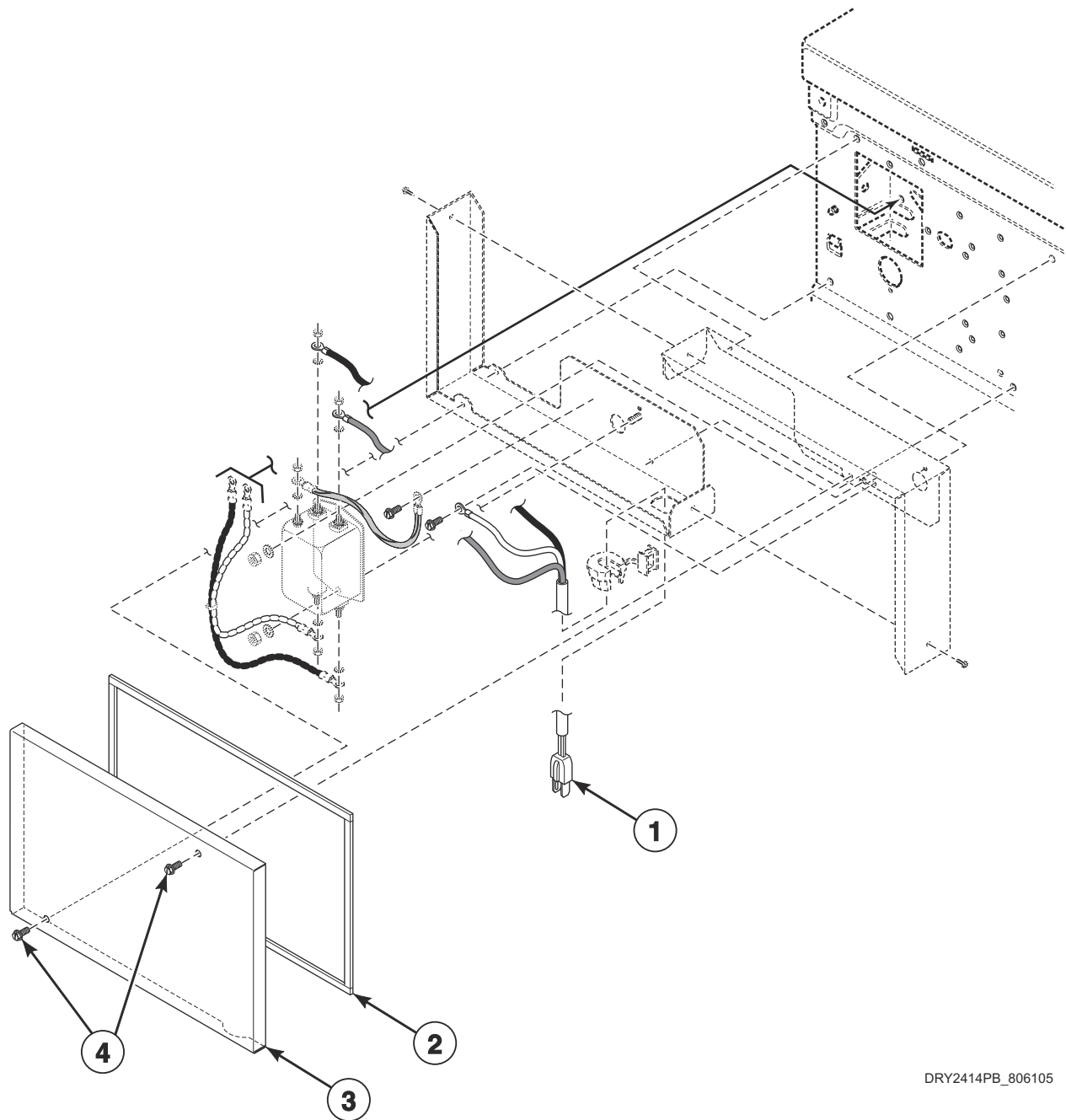
DRY2414P_806105

Dryer Junction Box (Drawing 1 of 3)

REF	PART NO.	DESCRIPTION	COMMENTS
	D502510	Ground Label	
1	D503688	Screw	
2	D516153	Junction Box Assembly	Includes items 1 and 5; Models LTEE5ASP133FW01, LTEE5ASP553KW01 and YTEE5ASP133FW01
	D516152	Junction Box Assembly	Includes items 1 and 5; Models LTGE5ASP113FW01, LTME5ASP543KW01 and YTGE5ASP113FW01
3	60298	Strain Relief	Models LTEE5ASP553KW01, LTGE5ASP113FW01, LTME5ASP543KW01 and YTGE5ASP113FW01
	52113	Strain Relief	Models LTEE5ASP133FW01 and YTEE5ASP133FW01

Dryer Junction Box (Drawing 2 of 3)

Models LTEE5ASP133FW01, LTEE5ASP553KW01, LTGE5ASP113FW01, LTME5ASP543KW01, YTEE5ASP133FW01 and YTGE5ASP113FW01



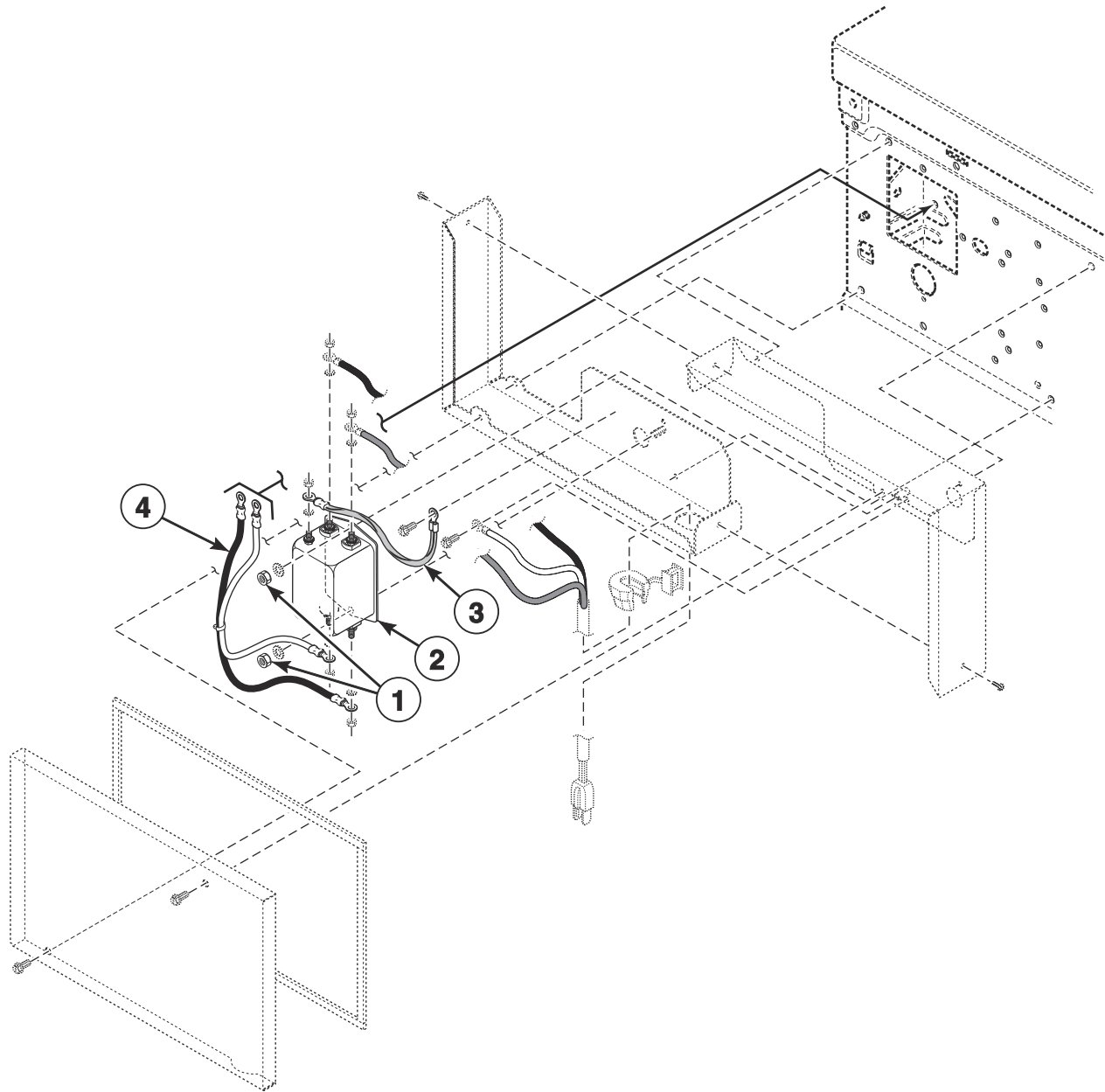
DRY2414PB_806105

Dryer Junction Box (Drawing 2 of 3)

REF	PART NO.	DESCRIPTION	COMMENTS
1	D516747	Lead-In Cord Assembly	Models LTEE5ASP133FW01 and YTEE5ASP133FW01
	D514953	Lead-In Cord	Models LTGE5ASP113FW01 and YTGE5ASP113FW01
	59373	Lead-In Cord	Model LTEE5ASP553KW01
	202925	Lead-In Cord	Model LTME5ASP543KW01
2	D514379P	Junction Box Seal	
3	D514363	Junction Box Cover	
4	D503661	Screw	

Dryer Junction Box (Drawing 3 of 3)

Models LTEE5ASP133FW01, LTEE5ASP553KW01, LTGE5ASP113FW01, LTME5ASP543KW01, YTEE5ASP133FW01 and YTGE5ASP113FW01



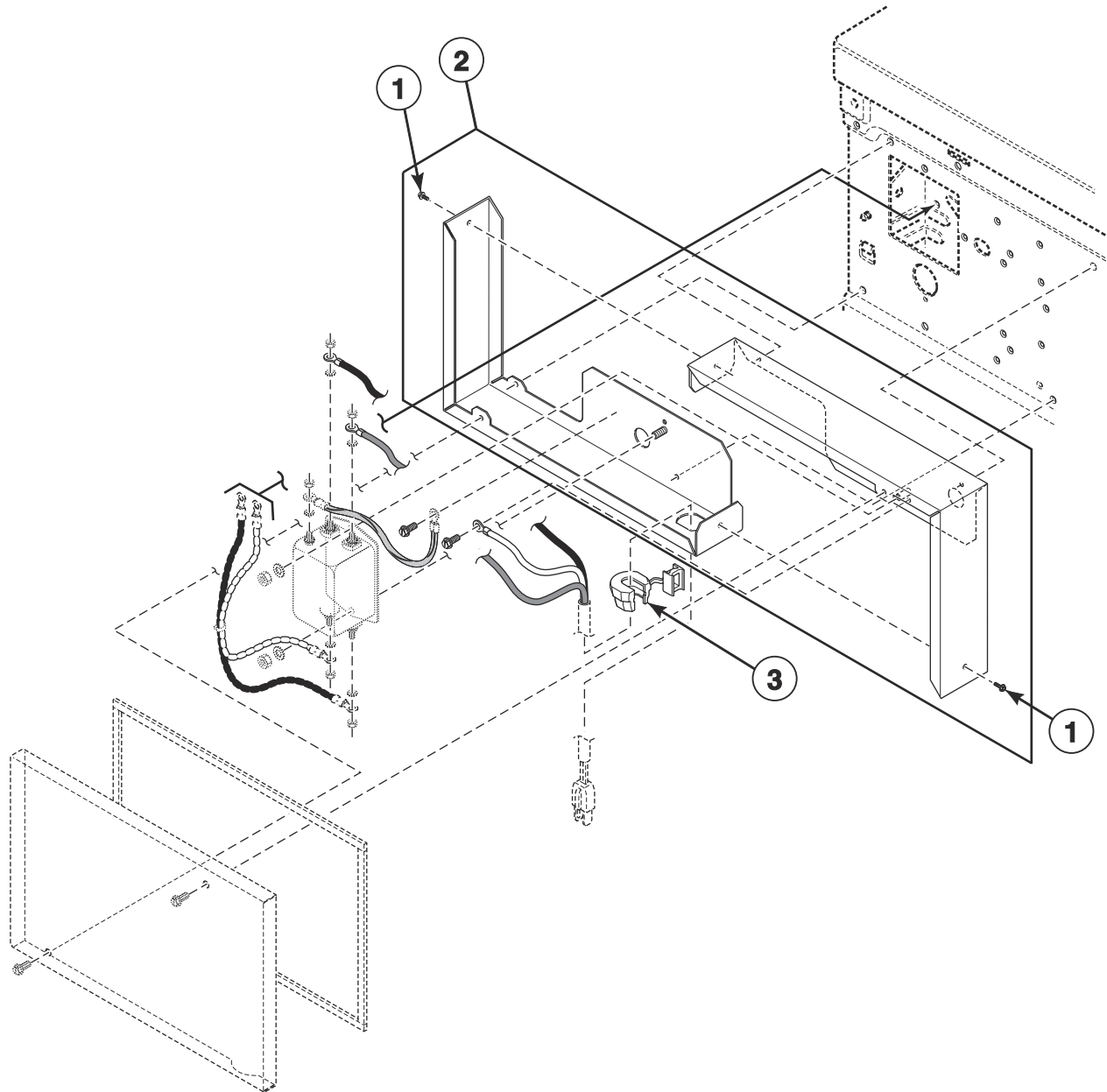
DRY2414PA_806105

Dryer Junction Box (Drawing 3 of 3)

REF	PART NO.	DESCRIPTION	COMMENTS
1	29787	Nut	
2	804844	Line Filter	30 Amp; 250 Volt/50 or 60 Hertz; Models LTEE5ASP133FW01, LTEE5ASP553KW01 and YTEE5ASP133FW01
	804864	Line Filter	10 Amp; 250 Volt/50 or 60 Hertz; Models LTGE5ASP113FW01, LTME5ASP543KW01 and YTGE5ASP113FW01
3	D518534	Ground Filter Harness	Filter to rear bulkhead (earth/ground); 30 Amp; Models LTEE5ASP133FW01, LTEE5ASP553KW01 and YTEE5ASP133FW01
	D514039	Ground Filter Harness	Earth/ground; Models LTGE5ASP113FW01, LTME5ASP543KW01 and YTGE5ASP113FW01
4	D518532	Filter Harness	Filter to terminal block; 30 Amp; Models LTEE5ASP133FW01, LTEE5ASP553KW01 and YTEE5ASP133FW01
	D518533	Filter Harness	Filter to rear bulkhead (earth/ground) and harness; 10 Amp; Models LTGE5ASP113FW01, LTME5ASP543KW01 and YTGE5ASP113FW01

Dryer Junction Box - Through Serial No. 1912999999 (Drawing 1 of 3)

Models ATEE9AGP435AW01, ATEE9ASP133DN04, ATEE9ASP133DW04, ATEE9ASP433XW34, ATEE9ASP435XW34, ATEE9ASP453LW26, ATEE9ASP455LN01, ATEE9ASP455LW01, ATEE9ASP543DN04, ATEE9ASP543DW04, ATEE9ASP545DW04, ATEE9ASP565XW01, ATEE9AWP433AW01, ATEE9AWP435AW01, ATGE9AGP305AW01, ATGE9ASP123DN04, ATGE9ASP123DW04, ATGE9ASP125DW04, ATGE9ASP303XW01, ATGE9ASP303XW26, ATGE9ASP305XW01, ATGE9ASP543DN04, ATGE9ASP543DW04, ATGE9ASP545DW04, ATGE9AWP303AW01, ATGE9AWP305AW01, ATLE9ASP305LW01, FTEE5ASP303ZW01, FTEE5ASP433LW01, LTEE5AGP133ZW30, LTEE5ASP303WW01, LTEE5ASP303WW37, LTEE5ASP303ZW01, LTEE5ASP433AW01, LTEE5ASP433AW12, LTEE5ASP453VW26, LTEE5ASP543RW01, LTGE5ASP113JW01, LTGE5ASP113TW01, LTGE5ASP303AW01, LTGE5ASP303AW12, LTLE5ASP303LW01, PTEE3FSP433AG01, PTGE3FSP303AG01, UTGE5ASP113TW01 and YTGE5ASP303NW21



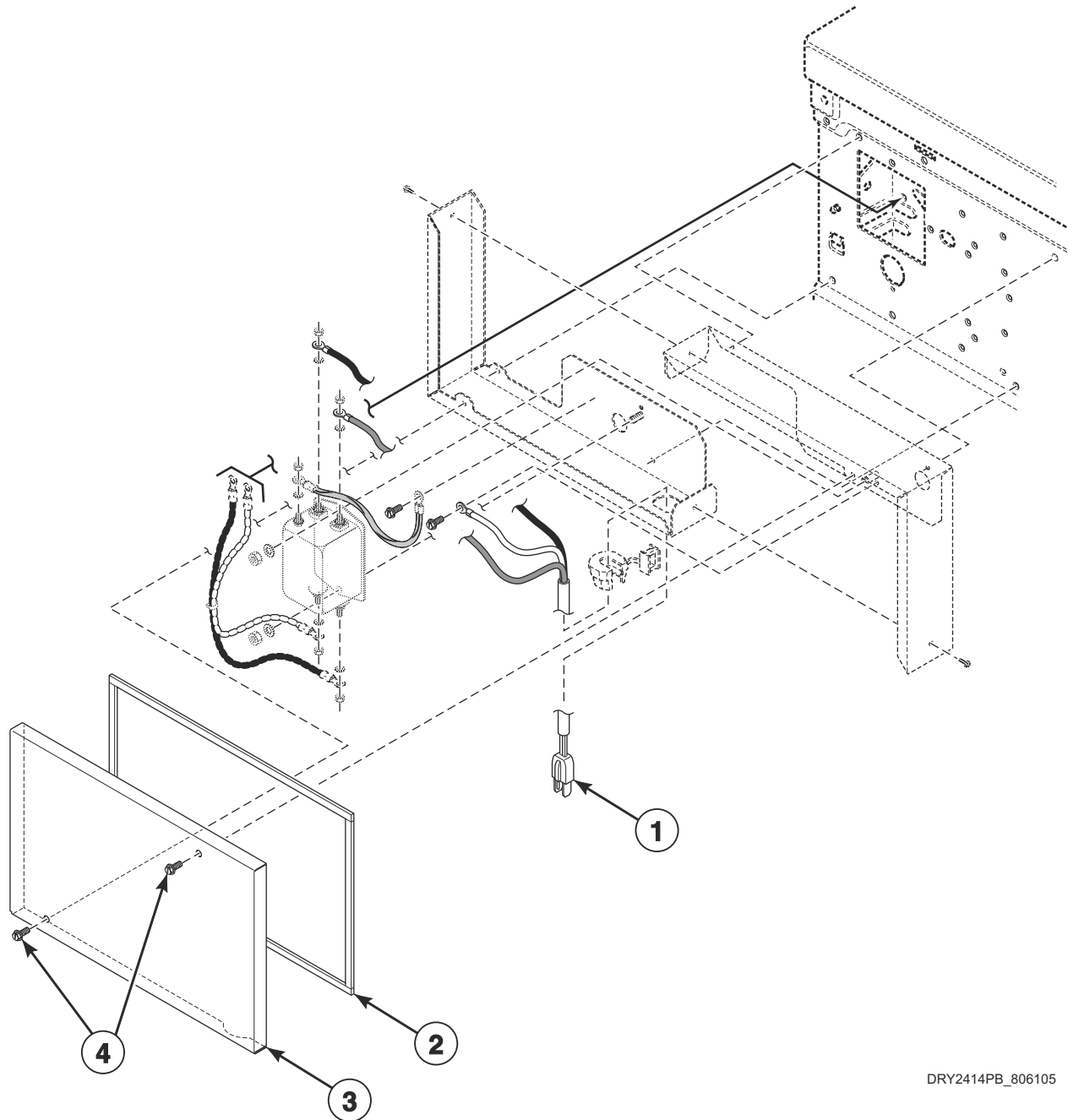
DRY2414P_806105

Dryer Junction Box - Through Serial No. 1912999999 (Drawing 1 of 3)

REF	PART NO.	DESCRIPTION	COMMENTS
	D502510	Ground Label	
	D514618	Terminal Block Label	L-N; Models ATGE9AGP305AW01, ATGE9AWP303AW01, ATGE9AWP305AW01, LTGE5ASP113JW01, LTGE5ASP303AW01, LTGE5ASP303AW12 and YTGE5ASP303NW21
1	D503688	Screw	
2	D516153	Junction Box Assembly	Includes items 1 and 5; Models ATEE9AGP435AW01, ATEE9ASP133DN04, ATEE9ASP133DW04, ATEE9ASP433XW34, ATEE9ASP435XW34, ATEE9ASP453LW26, ATEE9ASP455LN01, ATEE9ASP455LW01, ATEE9ASP543DN04, ATEE9ASP543DW04, ATEE9ASP545DW04, ATEE9ASP565XW01, ATEE9AWP433AW01, ATEE9AWP435AW01, FTEE5ASP303ZW01, FTEE5ASP433LW01, LTEE5AGP133ZW30, LTEE5ASP303WW01, LTEE5ASP303WW37, LTEE5ASP303ZW01, LTEE5ASP433AW01, LTEE5ASP433AW12, LTEE5ASP453VW26, LTEE5ASP543RW01 and PTEE3FSP433AG01
	D516152	Junction Box Assembly	Includes items 1 and 5; Models ATGE9AGP305AW01, ATGE9ASP123DN04, ATGE9ASP123DW04, ATGE9ASP303XW01, ATGE9ASP303XW26, ATGE9ASP305XW01, ATGE9ASP543DN04, ATGE9ASP543DW04, ATGE9ASP545DW04, ATGE9AWP303AW01, ATGE9AWP305AW01, ATLE9ASP305LW01, LTGE5ASP113JW01, LTGE5ASP303AW01, LTGE5ASP303AW12, LTLE5ASP303LW01, PTGE3FSP303AG01 and YTGE5ASP303NW21
3	60298	Strain Relief	Models ATGE9AGP305AW01, ATGE9ASP123DN04, ATGE9ASP123DW04, ATGE9ASP303XW01, ATGE9ASP303XW26, ATGE9ASP305XW01, ATGE9ASP543DN04, ATGE9ASP543DW04, ATGE9ASP545DW04, ATGE9AWP303AW01, ATGE9AWP305AW01, ATLE9ASP305LW01, LTGE5ASP113JW01, LTGE5ASP303AW01, LTGE5ASP303AW12, LTLE5ASP303LW01, PTGE3FSP303AG01 and YTGE5ASP303NW21
	52113	Strain Relief	Models ATEE9AGP435AW01, ATEE9ASP133DN04, ATEE9ASP133DW04, ATEE9ASP433XW34, ATEE9ASP435XW34, ATEE9ASP453LW26, ATEE9ASP455LN01, ATEE9ASP455LW01, ATEE9ASP543DN04, ATEE9ASP543DW04, ATEE9ASP545DW04, ATEE9ASP565XW01, ATEE9AWP433AW01, ATEE9AWP435AW01, FTEE5ASP303ZW01, FTEE5ASP433LW01, LTEE5AGP133ZW30, LTEE5ASP303WW01, LTEE5ASP303WW37, LTEE5ASP303ZW01, LTEE5ASP433AW01, LTEE5ASP433AW12, LTEE5ASP453VW26, LTEE5ASP543RW01 and PTEE3FSP433AG01

Dryer Junction Box - Through Serial No. 1912999999 (Drawing 2 of 3)

Models ATEE9AGP435AW01, ATEE9ASP133DN04, ATEE9ASP133DW04, ATEE9ASP433XW34, ATEE9ASP435XW34, ATEE9ASP453LW26, ATEE9ASP455LN01, ATEE9ASP455LW01, ATEE9ASP543DN04, ATEE9ASP543DW04, ATEE9ASP545DW04, ATEE9ASP565XW01, ATEE9AWP433AW01, ATEE9AWP435AW01, ATGE9AGP305AW01, ATGE9ASP123DN04, ATGE9ASP123DW04, ATGE9ASP125DW04, ATGE9ASP303XW01, ATGE9ASP303XW26, ATGE9ASP305XW01, ATGE9ASP543DN04, ATGE9ASP543DW04, ATGE9ASP545DW04, ATGE9AWP303AW01, ATGE9AWP305AW01, ATLE9ASP305LW01, FTEE5ASP303ZW01, FTEE5ASP433LW01, LTEE5AGP133ZW30, LTEE5ASP303WW01, LTEE5ASP303WW37, LTEE5ASP303ZW01, LTEE5ASP433AW01, LTEE5ASP433AW12, LTEE5ASP453VW26, LTEE5ASP543RW01, LTGE5ASP113JW01, LTGE5ASP113TW01, LTGE5ASP303AW01, LTGE5ASP303AW12, LTLE5ASP303LW01, PTEE3FSP433AG01, PTGE3FSP303AG01, UTGE5ASP113TW01 and YTGE5ASP303NW21



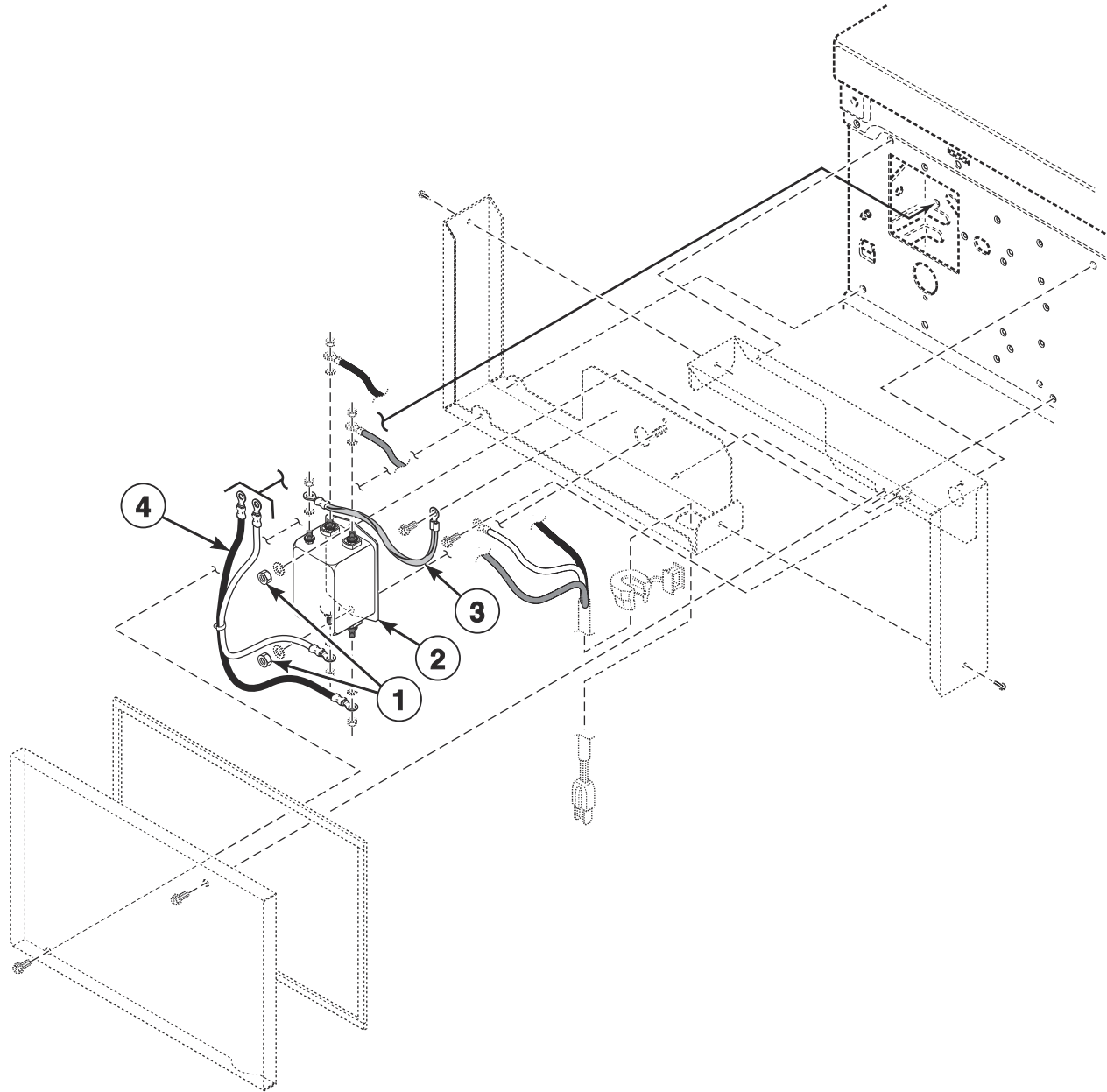
DRY2414PB_806105

Dryer Junction Box - Through Serial No. 1912999999 (Drawing 2 of 3)

REF	PART NO.	DESCRIPTION	COMMENTS
1	202926	Lead-In Cord	Models ATGE9AGP305AW01, ATGE9AWP303AW01, ATGE9AWP305AW01, LTGE5ASP303AW01, LTGE5ASP303AW12, PTGE3FSP303AG01 and YTGE5ASP303NW21
	D516747	Lead-In Cord Assembly	Models ATEE9ASP133DN04, ATEE9ASP133DW04, ATEE9ASP433XW34, ATEE9ASP435XW34, ATEE9ASP453LW26, ATEE9ASP543DN04, ATEE9ASP543DW04, ATEE9ASP545DW04, FTEE5ASP303ZW01, LTEE5ASP303WW01, LTEE5ASP303WW37, LTEE5ASP303ZW01, LTEE5ASP453VW26 and LTEE5ASP543RW01
	61605P	Lead-In Cord Kit	Models ATEE9AGP435AW01, ATEE9AWP433AW01, ATEE9AWP435AW01, LTEE5ASP433AW01, LTEE5ASP433AW12 and PTEE3FSP433AG01
	D516611	Lead-In Cord	Model LTGE5ASP113JW01
	D514061	Lead-In Cord	Models ATGE9ASP123DN04, ATGE9ASP123DW04, ATGE9ASP125DW04, ATGE9ASP543DN04 and ATGE9ASP543DW04
	D516162	Lead-In Cord	Models ATEE9ASP453LW26, ATEE9ASP455LN01 and ATEE9ASP455LW01
	203119	Power Cord Assembly	Models ATGE9ASP303XW01, ATGE9ASP303XW26 and ATGE9ASP305XW01
	D516390	Lead-In Cord	Model ATEE9ASP565XW01
	203315	Lead-In Cord	Models ATLE9ASP305LW01 and LTLE5ASP303LW01
	D516747	Lead-In Cord Assembly	Model FTEE5ASP433LW01
2	D514379P	Junction Box Seal	
3	D516186	Junction Box Cover	Models LTEE5ASP303WW01 and LTEE5ASP303WW37
	D514363	Junction Box Cover	All other models
4	D503661	Screw	

Dryer Junction Box - Through Serial No. 1912999999 (Drawing 3 of 3)

Models ATEE9AGP435AW01, ATEE9ASP133DN04, ATEE9ASP133DW04, ATEE9ASP433XW34, ATEE9ASP435XW34, ATEE9ASP453LW26, ATEE9ASP455LN01, ATEE9ASP455LW01, ATEE9ASP543DN04, ATEE9ASP543DW04, ATEE9ASP545DW04, ATEE9ASP565XW01, ATEE9AWP433AW01, ATEE9AWP435AW01, ATGE9AGP305AW01, ATGE9ASP123DN04, ATGE9ASP123DW04, ATGE9ASP125DW04, ATGE9ASP303XW01, ATGE9ASP303XW26, ATGE9ASP305XW01, ATGE9ASP543DN04, ATGE9ASP543DW04, ATGE9ASP545DW04, ATGE9AWP303AW01, ATGE9AWP305AW01, ATLE9ASP305LW01, FTEE5ASP303ZW01, FTEE5ASP433LW01, LTEE5AGP133ZW30, LTEE5ASP303WW01, LTEE5ASP303WW37, LTEE5ASP303ZW01, LTEE5ASP433AW01, LTEE5ASP433AW12, LTEE5ASP453VW26, LTEE5ASP543RW01, LTGE5ASP113JW01, LTGE5ASP113TW01, LTGE5ASP303AW01, LTGE5ASP303AW12, LTLE5ASP303LW01, PTEE3FSP433AG01, PTGE3FSP303AG01, UTGE5ASP113TW01 and YTGE5ASP303NW21



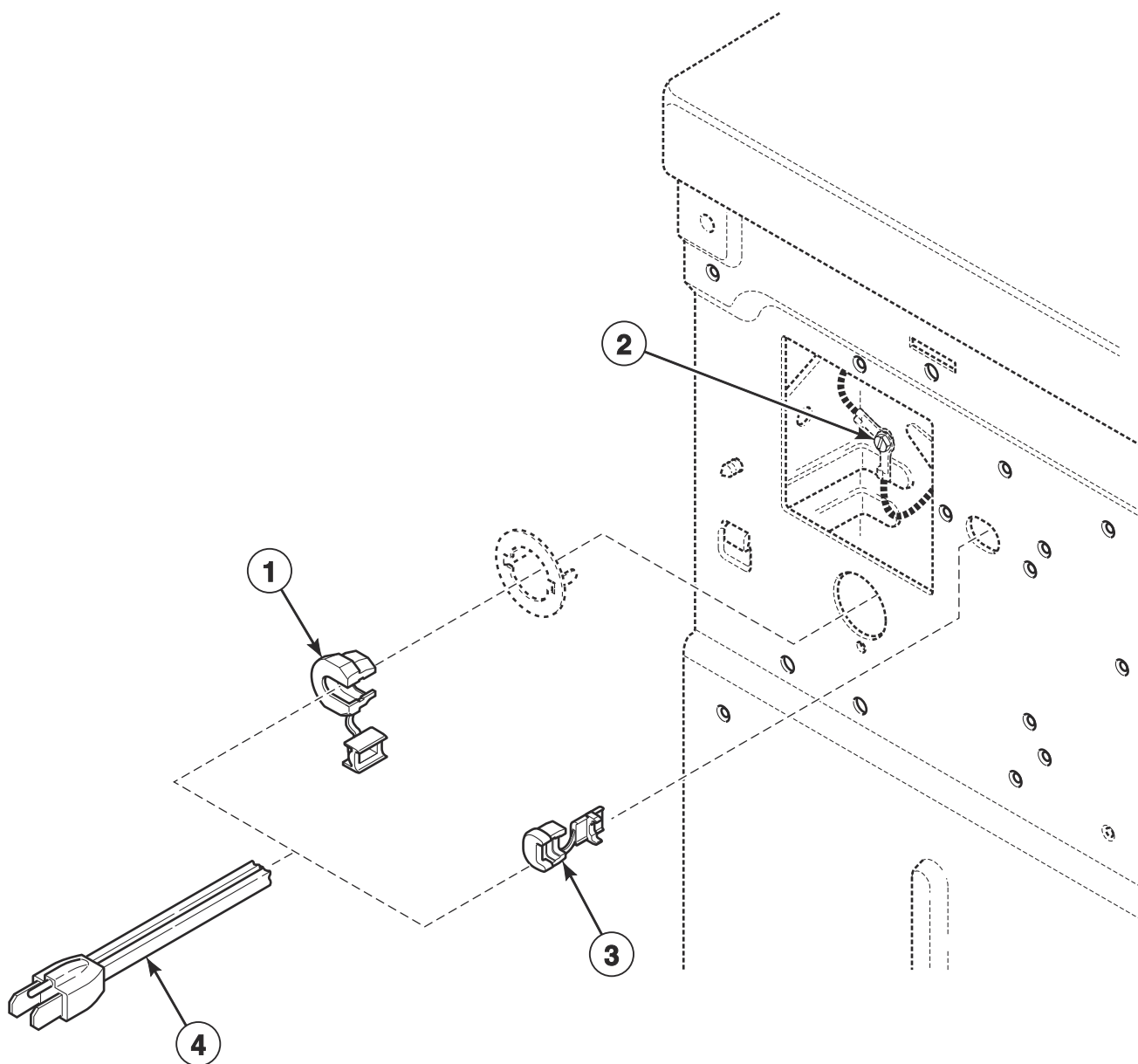
DRY2414PA_806105

Dryer Junction Box - Through Serial No. 1912999999 (Drawing 3 of 3)

REF	PART NO.	DESCRIPTION	COMMENTS
1	29787	Nut	
2	804844	Line Filter	30 Amp; 250 Volt/50 or 60 Hertz; Models ATEE9AGP435AW01, ATEE9ASP133DN04, ATEE9ASP133DW04, ATEE9ASP433XW34, ATEE9ASP435XW34, ATEE9ASP453LW26, ATEE9ASP455LN01, ATEE9ASP455LW01, ATEE9ASP543DN04, ATEE9ASP543DW04, ATEE9ASP545DW04, ATEE9ASP565XW01, ATEE9AWP433AW01, ATEE9AWP435AW01, FTEE5ASP303ZW01, FTEE5ASP433LW01, LTEE5AGP133ZW30, LTEE5ASP303WW01, LTEE5ASP303WW37, LTEE5ASP303ZW01, LTEE5ASP433AW01, LTEE5ASP433AW12, LTEE5ASP453VW26, LTEE5ASP543RW01 and PTEE3FSP433AG01
	804864	Line Filter	10 Amp; 250 Volt/50 or 60 Hertz; Models ATGE9AGP305AW01, ATGE9ASP123DN04, ATGE9ASP123DW04, ATGE9ASP125DW04, ATGE9ASP303XW01, ATGE9ASP303XW26, ATGE9ASP305XW01, ATGE9ASP543DN04, ATGE9ASP543DW04, ATGE9ASP545DW04, ATGE9AWP303AW01, ATGE9AWP305AW01, ATLE9ASP305LW01, LTGE5ASP113JW01, LTGE5ASP303AW01, LTGE5ASP303AW12, LTLE5ASP303LW01, PTGE3FSP303AG01 and YTGE5ASP303NW21
3	D518534	Ground Filter Harness	Filter to rear bulkhead (earth/ground); 30 Amp; Models ATEE9AGP435AW01, ATEE9ASP133DN04, ATEE9ASP133DW04, ATEE9ASP433XW34, ATEE9ASP435XW34, ATEE9ASP453LW26, ATEE9ASP455LN01, ATEE9ASP455LW01, ATEE9ASP543DN04, ATEE9ASP543DW04, ATEE9ASP545DW04, ATEE9ASP565XW01, ATEE9AWP433AW01, ATEE9AWP435AW01, FTEE5ASP303ZW01, FTEE5ASP433LW01, LTEE5AGP133ZW30, LTEE5ASP303WW01, LTEE5ASP303WW37, LTEE5ASP303ZW01, LTEE5ASP433AW01, LTEE5ASP433AW12, LTEE5ASP453VW26, LTEE5ASP543RW01 and PTEE3FSP433AG01
	D514039	Ground Filter Harness	Earth/ground; Models ATEE9AWP435AW01, ATGE9ASP123DN04, ATGE9ASP123DW04, ATGE9ASP125DW04, ATGE9ASP305XW01, ATGE9ASP543DN04, ATGE9ASP543DW04, ATGE9ASP545DW04, ATGE9AWP303AW01, ATGE9AWP305AW01, LTGE5ASP113JW01, LTGE5ASP303AW01, LTGE5ASP303AW12, PTGE3FSP303AG01 and YTGE5ASP303NW21
4	D518532	Filter Harness	Filter to terminal block; 30 Amp; Models ATEE9AGP435AW01, ATEE9ASP133DN04, ATEE9ASP133DW04, ATEE9ASP433XW34, ATEE9ASP435XW34, ATEE9ASP453LW26, ATEE9ASP455LN01, ATEE9ASP455LW01, ATEE9ASP543DN04, ATEE9ASP543DW04, ATEE9ASP545DW04, ATEE9ASP565XW01, ATEE9AWP433AW01, ATEE9AWP435AW01, FTEE5ASP303ZW01, FTEE5ASP433LW01, LTEE5AGP133ZW30, LTEE5ASP303WW01, LTEE5ASP303WW37, LTEE5ASP303ZW01, LTEE5ASP433AW01, LTEE5ASP433AW12, LTEE5ASP453VW26, LTEE5ASP543RW01 and PTEE3FSP433AG01
	D518533	Filter Harness	Filter to rear bulkhead (earth/ground) and harness; 10 Amp; Models ATGE9AGP305AW01, ATGE9ASP123DN04, ATGE9ASP123DW04, ATGE9ASP125DW04, ATGE9ASP543DN04, ATGE9ASP543DW04, ATGE9ASP545DW04, ATGE9AWP303AW01, ATGE9AWP305AW01, LTGE5ASP113JW01, LTGE5ASP303AW01, LTGE5ASP303AW12, PTGE3FSP303AG01 and YTGE5ASP303NW21
	804396	Filter Harness	Filter to main harness; Models ATGE9ASP303XW01, ATGE9ASP303XW26 and ATGE9ASP305XW01

Dryer Lead-In Cord - Starting Serial No. 2001000001

Models ATEE9AGP435AW01, ATEE9ASP133DN04, ATEE9ASP133DW04, ATEE9ASP433XW34, ATEE9ASP435XW34, ATEE9ASP453LW26, ATEE9ASP455LN01, ATEE9ASP455LW01, ATEE9ASP543DN04, ATEE9ASP543DW04, ATEE9ASP545DW04, ATEE9ASP565XW01, ATEE9AWP433AW01, ATEE9AWP435AW01, ATGE9AGP305AW01, ATGE9ASP123DN04, ATGE9ASP123DW04, ATGE9ASP125DW04, ATGE9ASP303XW01, ATGE9ASP303XW26, ATGE9ASP305XW01, ATGE9ASP543DN04, ATGE9ASP543DW04, ATGE9ASP545DW04, ATGE9AWP303AW01, ATGE9AWP305AW01, ATLE9ASP305LW01, FTEE5ASP303ZW01, FTEE5ASP433LW01, LTEE5AGP133ZW30, LTEE5ASP135MW01, LTEE5ASP303VW01, LTEE5ASP303VW37, LTEE5ASP303ZW01, LTEE5ASP433AW01, LTEE5ASP433AW12, LTEE5ASP453VW26, LTEE5ASP543RW01, LTGE5ASP113JW01, LTGE5ASP303AW01, LTGE5ASP303AW12, LTLE5ASP303LW01, PTEE3FSP433AG01, PTGE3FSP303AG01 and YTGE5ASP303NW21

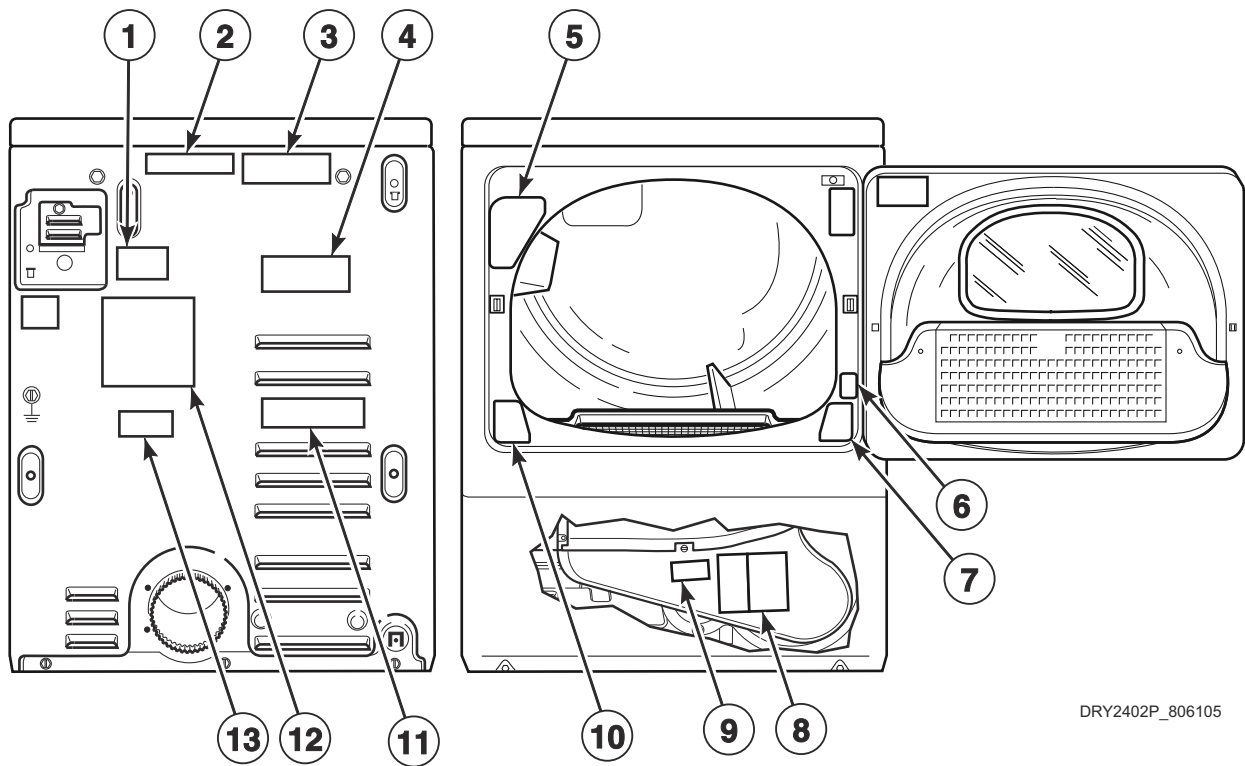


SWD1222PA_806105

Dryer Lead-In Cord - Starting Serial No. 2001000001

REF	PART NO.	DESCRIPTION	COMMENTS
	D506072	Terminal Block Label	L-N; Models ATEE9ASP435XW34, ATEE9ASP543DN04, ATEE9ASP545DW04, FTEE5ASP303ZW01, FTEE5ASP433LW01, LTEE5AGP133ZW30, LTEE5ASP135MW01, LTEE5ASP303WW01, LTEE5ASP303WW37 and LTEE5ASP303ZW01
1	D517492	Strain Relief	Models ATEE9AGP435AW01, ATEE9ASP133DN04, ATEE9ASP133DW04, ATEE9ASP433XW34, ATEE9ASP435XW34, ATEE9ASP453LW26, ATEE9ASP455LN01, ATEE9ASP455LW01, ATEE9ASP543DN04, ATEE9ASP543DW04, ATEE9ASP545DW04, ATEE9ASP565XW01, ATEE9AWP433AW01, ATEE9AWP435AW01, FTEE5ASP303ZW01, FTEE5ASP433LW01, LTEE5AGP133ZW30, LTEE5ASP135MW01, LTEE5ASP303WW01, LTEE5ASP303WW37, LTEE5ASP303ZW01, LTEE5ASP433AW01, LTEE5ASP433AW12, LTEE5ASP453VW26, LTEE5ASP543RW01, PTEE3FSP433AG01 and YTGE5ASP303NW21
2	20530	Screw	
3	D517491	Strain Relief	Models ATGE9AGP305AW01, ATGE9ASP123DN04, ATGE9ASP123DW04, ATGE9ASP125DW04, ATGE9ASP303XW01, ATGE9ASP303XW26, ATGE9ASP305XW01, ATGE9ASP543DN04, ATGE9ASP543DW04, ATGE9ASP545DW04, ATGE9AWP303AW01, ATGE9AWP305AW01, ATLE9ASP305LW01, LTGE5ASP113JW01, LTGE5ASP303AW01, LTGE5ASP303AW12, LTLE5ASP303LW01 and PTGE3FSP303AG01
4	202926	Lead-In Cord	Models ATGE9AGP305AW01, ATGE9AWP303AW01, ATGE9AWP305AW01, LTGE5ASP303AW01, LTGE5ASP303AW12, PTGE3FSP303AG01 and YTGE5ASP303NW21
	D516747	Lead-In Cord Assembly	Models ATEE9ASP133DN04, ATEE9ASP133DW04, ATEE9ASP433XW34, ATEE9ASP435XW34, ATEE9ASP453LW26, ATEE9ASP543DN04, ATEE9ASP543DW04, ATEE9ASP545DW04, FTEE5ASP303ZW01, LTEE5ASP135MW01, LTEE5ASP303WW01, LTEE5ASP303WW37, LTEE5ASP303ZW01, LTEE5ASP453VW26 and LTEE5ASP543RW01
	61605P	Lead-In Cord Kit	Models ATEE9AGP435AW01, ATEE9AWP433AW01, ATEE9AWP435AW01, LTEE5ASP433AW01, LTEE5ASP433AW12 and PTEE3FSP433AG01
	D516611	Lead-In Cord	Model LTGE5ASP113JW01
	D514061	Lead-In Cord	Models ATGE9ASP123DN04, ATGE9ASP123DW04, ATGE9ASP125DW04, ATGE9ASP543DN04 and ATGE9ASP543DW04
	D516162	Lead-In Cord	Models ATEE9ASP453LW26, ATEE9ASP455LN01 and ATEE9ASP455LW01
	203119	Power Cord Assembly	Models ATGE9ASP303XW01, ATGE9ASP303XW26 and ATGE9ASP305XW01
	D516390	Lead-In Cord	Model ATEE9ASP565XW01
	203315	Lead-In Cord	Models ATLE9ASP305LW01 and LTLE5ASP303LW01
	D516747	Lead-In Cord Assembly	Model FTEE5ASP433LW01

Dryer Labels

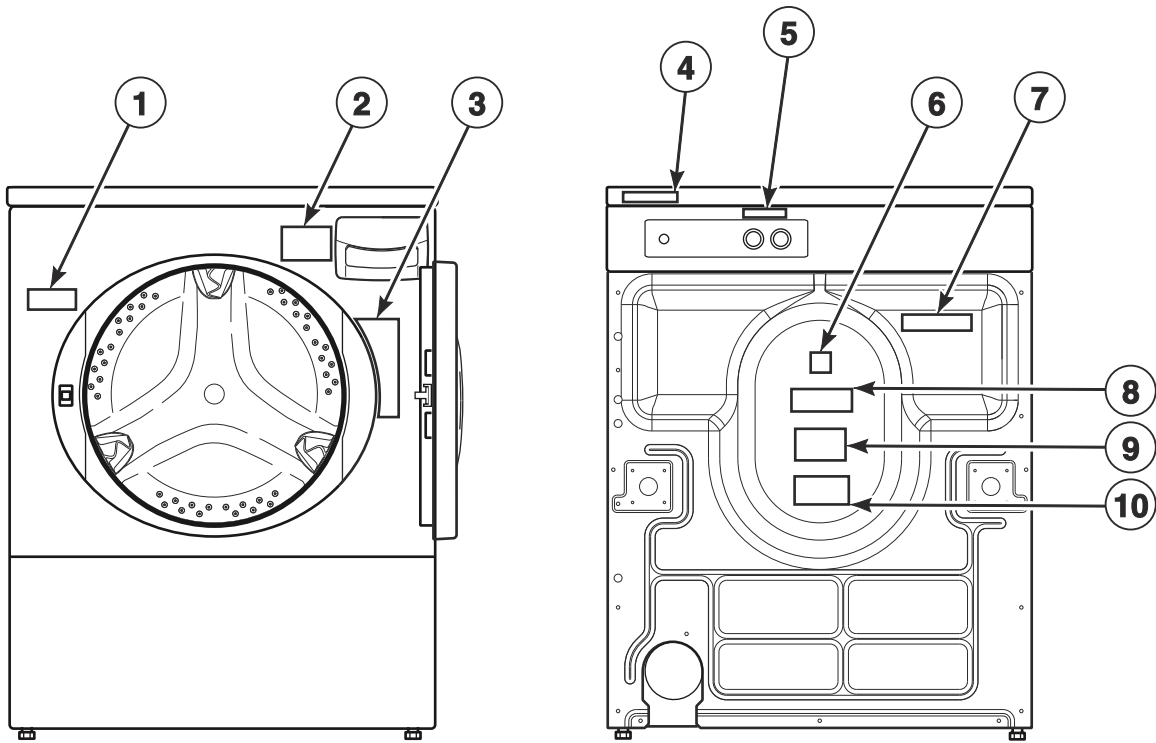


DRY2402P_806105

Dryer Labels

REF	PART NO.	DESCRIPTION	COMMENTS
1	803260	Warning Label	Turn off controls
2	D505281	Disconnect Power Warning Label	Text; English
	D500316	Warning Label	English/French; Disconnect power
3	44324001	Warning Label	Text; Electric shock
4	D502791	Venting Instruction Label	
5	D500281	Warning/Caution Label	English
	D514226	Warning Label	Brazilian Portuguese
	D514867	Warning Label	Thai
	D514866	Warning Label	Japanese
	D514410	Warning Label	Arabic; Right side of opening
	D516187	Warning Label	Vietnamese
	D516243	Warning Label	Quebec French; Right side of opening
	D514863	Front Panel Label	Chinese
	D514864	Front Panel Label	Korean
	D516514	Warning Label	Spanish
	6	D503887	Label
D500240		Natural/L.P. Gas Label	English/Quebec French
7	D512263	Warning Label	
8	D511004	Gas Clearance Label	
	D513341	Clearance Label	Models ATEE9ASP283CW01, ATEE9ASP285CW01, ATEE9ASP285CW14, BTEE6ASP283CW01, LTEE5ASP283CW01, LTEE5ASP285CW01, PTEE3FSP283CG01, PTEE3FSP285CG01, UTEE5ASP283CW01, UTEE5ASP285CW01, YTEE5ASP283CW01, YTEE5ASP285CW01 and ZTEE9ASP286CW01
9	D500049	Warning Label	Text; Electric shock, rotating parts
	F8211201	Electrical Shock Label	Icon; Electric shock
	F8615701	Pinch Warning Label	Icon; Crush hazard
	F8614201	Shock Warning Label	Icon; Electric shock
10	D502781	Lint Filter Label	Icon
11	D505215	Gas Label	Text; Stainless steel flexible gas line
12	D511005	Electric Clearance Label	
13	D500497	Exhaust Warning Label	Text
	D502507	Exhaust Warning Label	Icon
	44321601	Warning Label	Icon; Fire

Washer Labels

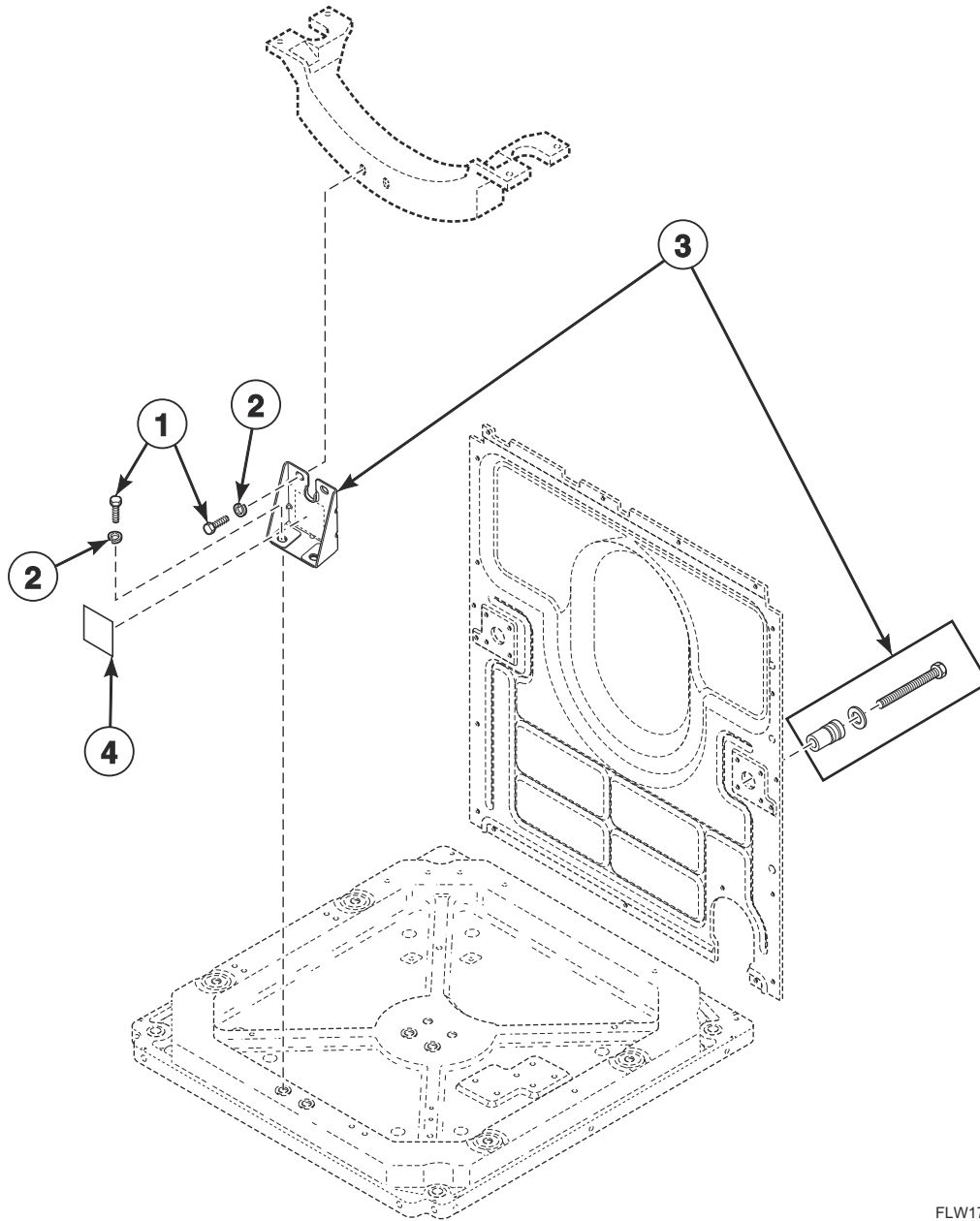


FLW1812P_806105

Washer Labels

REF	PART NO.	DESCRIPTION	COMMENTS
1	803011	Notice Label	
2	802074	Oversudsing Label	English
	802838	Oversudsing Label	Spanish
	802839	Oversudsing Label	Quebec French
3	802367	Warning Label	Reduce fire risk; Door locked; English
	806591	Warning Label	Reduce fire risk; Door locked; English/Quebec French
	805965	Warning Label	Reduce fire risk; Door locked; Korean
	805966	Warning Label	Reduce fire risk; Door locked; Thai
	804924	Warning Label	Reduce fire risk; Door locked; Arabic
	805962	Warning Label	Reduce fire risk; Door locked; Japanese
	805964	Warning Label	Reduce fire risk; Door locked; Chinese
	804933	Warning Label	Reduce fire risk; Door locked; Vietnamese
	805965	Warning Label	Reduce fire risk; Door locked; Spanish
4	D515714	Warning Label	Dual supply; Chinese; Models ATHE9ASP453NW29, ATHE9ASP455NN29, ATHE9ASP455NW29, ZTHE9ASP455NN29 and ZTHE9ASP455NW29
	D515728	Warning Label	Dual supply; Korean; Models LTEE5ASP553KW01 and LTME5ASP543KW01
	D515692	Warning Label	Dual supply; English; Model ATEE9ASP565XW01
	D515740	Warning Label	Dual supply; Thai; Models ATLE9ASP305LW01, FTEE5ASP433LW01 and LTLE5ASP303LW01
	D515738	Warning Label	Dual supply; Spanish; Models LTEE5ASP135MW01 and LTGE5ASP125MW01
5	806454	Hot/Cold Label	Chinese; Models ATHE9ASP453NW29, ATHE9ASP455NN29, ATHE9ASP455NW29, ZTHE9ASP455NN29 and ZTHE9ASP455NW29
6	D516073	Notice Label	
7	D505281	Disconnect Power Warning Label	English
	801706	Caution Label	Icon; Ground machine
	D500316	Warning Label	English/French; Disconnect power
	D516100	Label	Earth ground
8	685928	Left Hand Thread Label	Text; Left hand thread
	804949	Left Hand Thread Label	Icon; Left hand thread
9	803260	Warning Label	Text; Disconnect power
	F8211201	Electrical Shock Label	Icon; Electric shock
	F8614201	Shock Warning Label	Icon; Electric shock
10	D500049	Warning Label	English
	D500314	Warning Label	English/French
	F8615701	Pinch Warning Label	Icon; Crush hazard

Shipping Materials

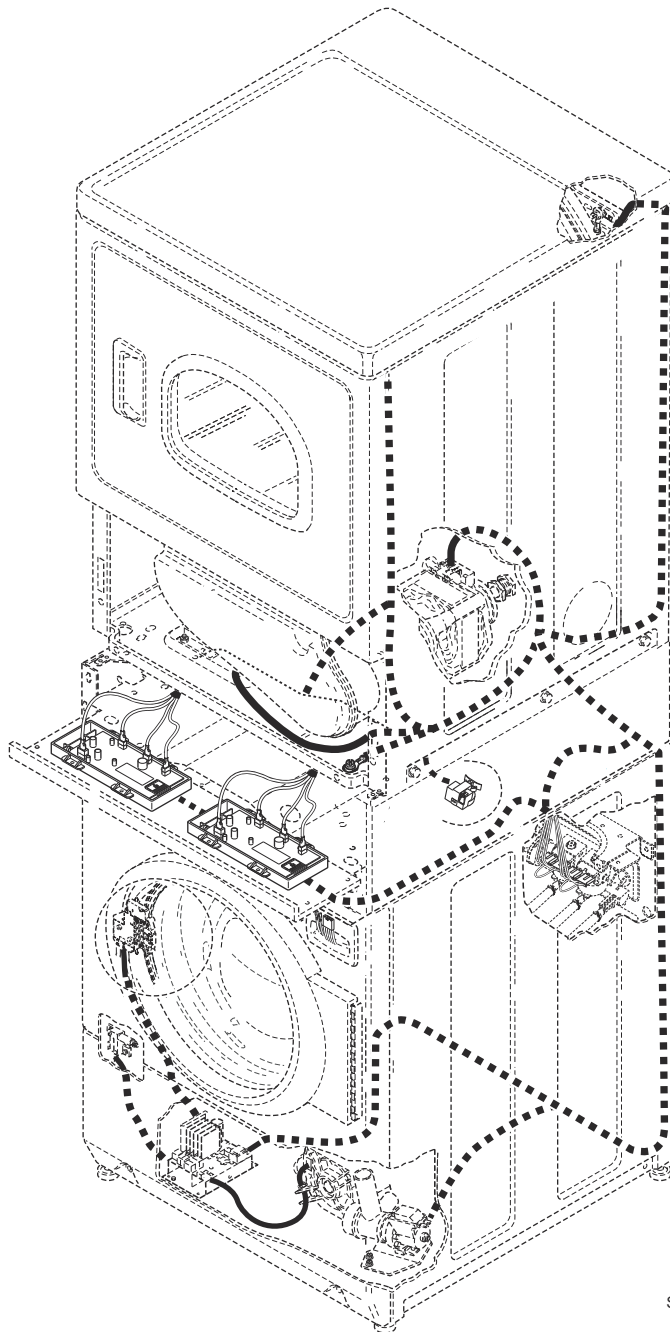


FLW1779P_806105

Shipping Materials

REF	PART NO.	DESCRIPTION	COMMENTS
1	M400043	Screw	
2	M400014	Washer	
3	805729	Shipping Materials Kit	Includes shipping brace, shipping spacer assembly and labels
4	686901	Shipping Bracket Label	

Miscellaneous Wire Harnesses and Wires



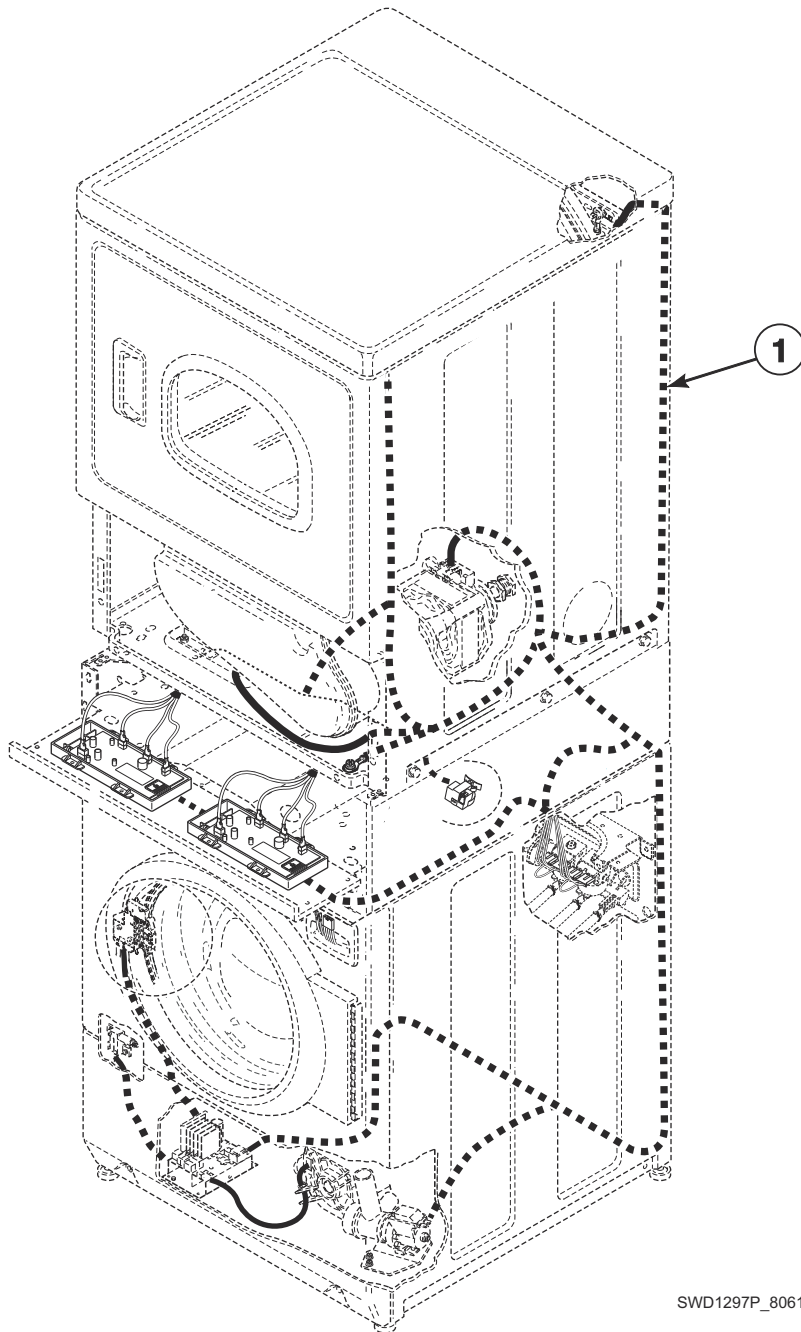
SWD1297PB_806105

Miscellaneous Wire Harnesses and Wires

REF	PART NO.	DESCRIPTION	COMMENTS
	45001	18 Gauge Wire	Black; Order wire by the foot and terminals as required
	45380	12 Gauge Wire	Orange; Order wire by the foot and terminals as required
	D517236	Broken Belt Harness	
	D516363	Cylinder Light Harness	
	805684	Harness	Main harness to dryer base; Models ATEE9ASP283CW01, ATEE9ASP285CW01, ATEE9ASP285CW14, ATGE9ASP093CW01, ATGE9ASP095CW01, ATGE9ASP095CW14, BTEE6ASP283CW01, BTGE6ASP093CW01, LTEE5ASP283CW01, LTEE5ASP285CW01, LTEE5ASP293CW01, LTEE5ASP295CW01, LTEE5FSP275TW01, LTGE5ASP093CW01, LTGE5ASP095CW01, UTEE5ASP283CW01, UTEE5ASP285CW01, YTEE5ASP283CW01, YTEE5ASP285CW01, YTGE5ASP093CW01, YTGE5ASP095CW01, ZTEE9ASP286CW01 and ZTGE9ASP096CW01
	D514044	Power Harness	Models ATEE9ASP283CW01, ATEE9ASP285CW01, ATEE9ASP285CW14, BTEE6ASP283CW01, LTEE5ASP283CW01, LTEE5ASP285CW01, LTEE5FSP275TW01, PTEE3FSP283CG01, PTEE3FSP285CG01, UTEE5ASP283CW01, UTEE5ASP285CW01, YTEE5ASP283CW01, YTEE5ASP285CW01 and ZTEE9ASP286CW01
	D514083	Gas Power Harness	Models ATGE9ASP093CW01, ATGE9ASP095CW01, ATGE9ASP095CW14, BTGE6ASP093CW01, LTGE5ASP093CW01, LTGE5ASP095CW01, PTGE3FSP093CG01, PTGE3FSP095CG01, YTGE5ASP093CW01, YTGE5ASP095CW01 and ZTGE9ASP096CW01
	D515039	Power Harness	Models FTGE5ASP303NW10 and LTLE5ASP543NW23

NOTE: Individual wires are not available separately. Order complete wire harness, or order wire by the foot. When applying terminals to wires, it is recommended that the terminals be soldered to the wires.

Dryer Wire Harnesses - Through Serial No. 1912999999



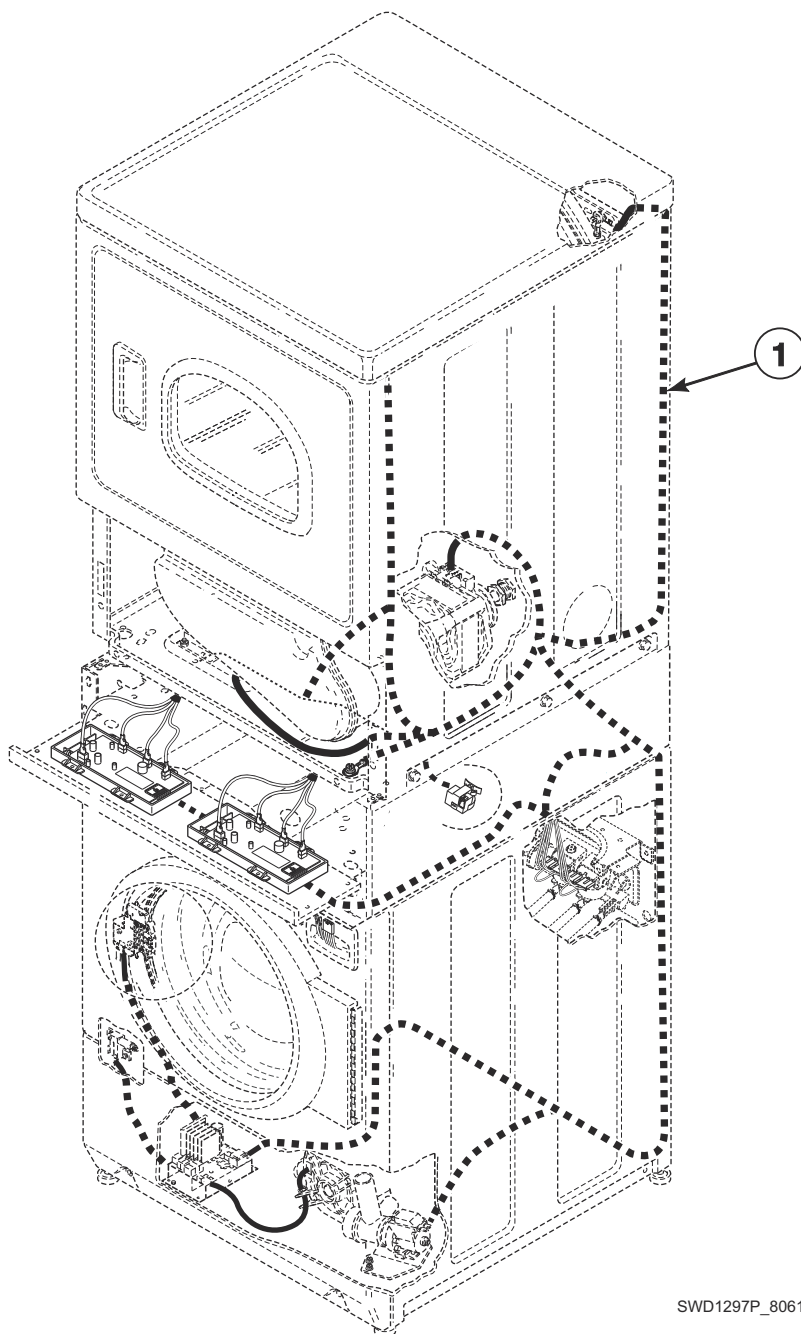
SWD1297P_806105

Dryer Wire Harnesses - Through Serial No. 1912999999

REF	PART NO.	DESCRIPTION	COMMENTS
1	D517094	Upper Gas Harness	Models ATGE9ASP093CW01, ATGE9ASP095CW01, ATGE9ASP095CW14, BTGE6ASP093CW01, BTGE6ASP113TW01, LTGA5FSP113TW01, LTGE5ASP093CW01, LTGE5ASP095CW01, LTGE5ASP113FW01, LTGE5ASP113JW01, LTGE5ASP113TW01, LTGE5ASP115TW01, LTGE5FSP115TW01, PTGE3FSP093CG01, PTGE3FSP095CG01, PTGE3FSP113TG01, PTGE3FSP115TG01, PTGE3FSP115TW01, UTGE5ASP113TW01, UTGE5ASP113TW08, UTGE5ASP115TW01, UTGE5ASP115TW08, YTGE5ASP093CW01, YTGE5ASP095CW01, YTGE5ASP113FW01, YTGE5ASP113TW01, YTGE5ASP115TW01 and ZTGE9ASP096CW01
	D517098	Upper Gas Harness	Models FTGE5ASP303NW10, LTGE5ASP303AW01, LTGE5ASP303AW12, LTLE5ASP303LW01, LTLE5ASP303NW35, LTLE5ASP543NW23, PTGE3FSP303AG01 and TTPE5ASP303NW36
	D517242	Upper Electric Harness	Models ATEE9ASP133DN04, ATEE9ASP133DW04, ATEE9ASP433XW34, ATEE9ASP453LW26, ATEE9ASP543DW04, ATEE9AWP433AW01 and ATHE9ASP453NW29; Model ATEE9ASP543DN04 through Serial Nos. beginning 1808
	D517100	Upper Gas Harness	Models ATGE9ASP303XW01, ATGE9ASP303XW26, ATGE9ASP543DW04, ATGE9AWP303AW01 and ATLE9ASP305LW01; Model ATGE9ASP543DN04 through Serial Nos. beginning 1808
	D516877	Main Harness	Model LTME5ASP543KW01
	D517096	Gas Harness	Model ATGE9ASP123DW04; Model ATGE9ASP123DN04 through Serial Nos. beginning 1808
	D516757	Upper Gas Harness	Model ATGE9ASP125DW04; Model ATGE9ASP123DN04 starting Serial Nos. beginning 1808
	D516758	Upper Electric Harness	Models ATEE9AGP435AW01, ATEE9ASG455NW36, ATEE9ASP435XW34, ATEE9ASP455LN01, ATEE9ASP455LW01, ATEE9ASP545DW04, ATEE9ASP565XW01, ATEE9AWP435AW01, ATHE9ASP455NN29, ATHE9ASP455NW29, ZTHE9ASP455NN29 and ZTHE9ASP455NW29; Model ATEE9ASP543DN04 starting Serial Nos. beginning 1808
	D516765	Upper Gas Harness	Models ATGE9AGP305AW01, ATGE9ASP305XW01, ATGE9ASP545DW04 and ATGE9AWP305AW01; Model ATGE9ASP543DN04 starting Serial Nos. beginning 1808
	D516756	Upper Electric Harness	Model UTEE5ASP173TW01
	D517211	Upper Gas Harness	Model YTGE5ASP303NW21
	D517204	Upper Harness	Model FTEE5ASP433LW01
	D517238	Upper Electric Harness	All other models

NOTE: Individual wires are not available separately. Order complete wire harness, or order wire by the foot. When applying terminals to wires, it is recommended that the terminals be soldered to the wires.

Dryer Wire Harnesses - Starting Serial No. 2001000001



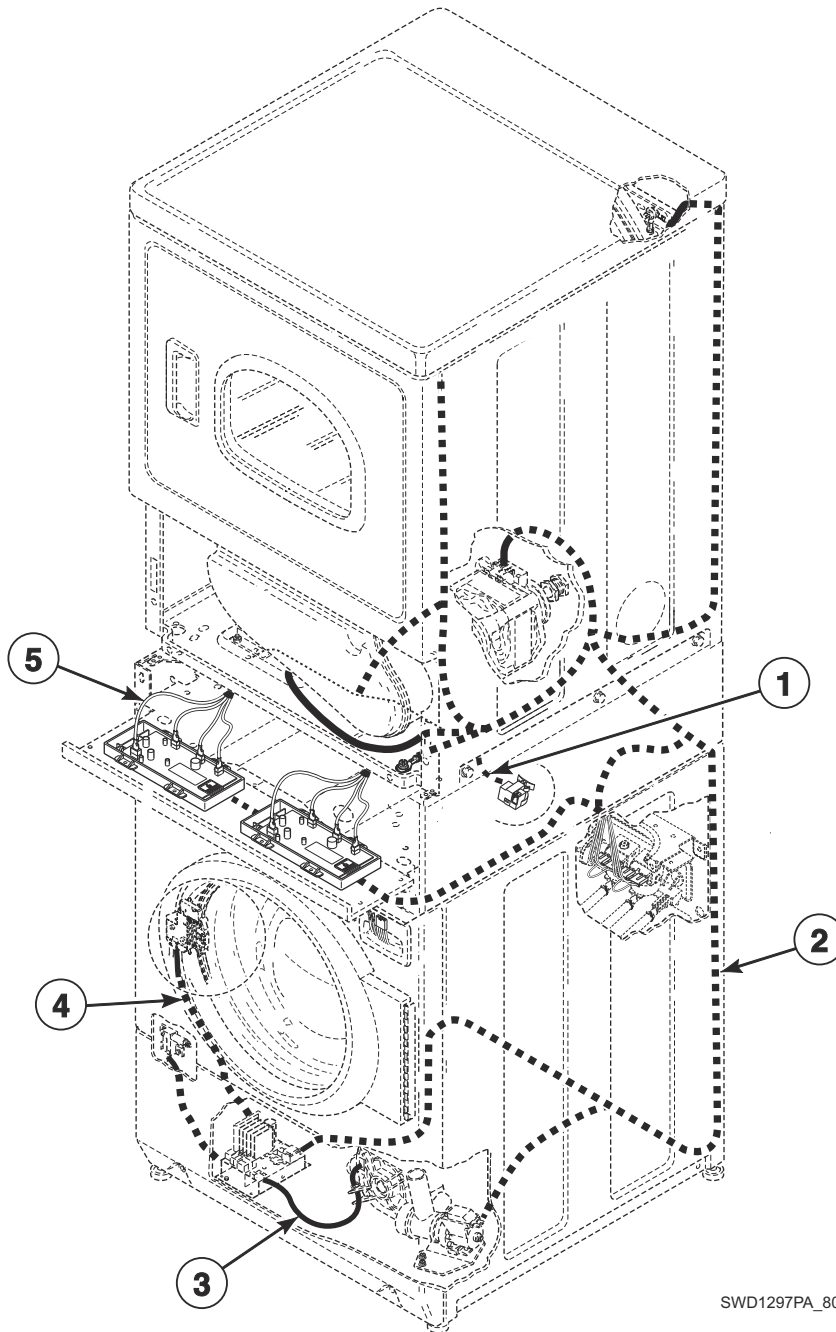
SWD1297P_806105

Dryer Wire Harnesses - Starting Serial No. 2001000001

REF	PART NO.	DESCRIPTION	COMMENTS
1	D517477	Gas Harness	Gas Models
	D517476	Upper Electric Harness	Electric Models

NOTE: Individual wires are not available separately. Order complete wire harness, or order wire by the foot. When applying terminals to wires, it is recommended that the terminals be soldered to the wires.

Washer and Control Wire Harnesses



SWD1297PA_806105

Washer and Control Wire Harnesses

REF	PART NO.	DESCRIPTION	COMMENTS
	807298	Power Harness	Starting Serial No. 2101000001
1	804433	Pressure Sensor Harness	
2	806277	Control Harness	Washer; Models ATHE9ASP453NW29, ATHE9ASP455NN29, ATHE9ASP455NW29, TTHE5ASP303NW36, TTPE5ASP303NW36, ZTHE9ASP455NN29 and ZTHE9ASP455NW29 through Serial No. 2012999999
	807348	Control Harness	Washer; Models ATHE9ASP453NW29, ATHE9ASP455NN29, ATHE9ASP455NW29, TTHE5ASP303NW36, TTPE5ASP303NW36, ZTHE9ASP455NN29 and ZTHE9ASP455NW29 starting Serial No. 2101000001
	806031	Front Control Harness	Washer; All other models through Serial No. 2012999999
	807346	Front Control Harness	Washer; All other models starting Serial No. 2101000001
3	806962	Motor Harness	Models LTEE5ASP553KW01 and LTME5ASP543KW01 through Serial No. 2012999999
	807612	Motor Harness	Models LTEE5ASP553KW01 and LTME5ASP543KW01 starting Serial No. 2101000001
	806029	Motor Harness	All other models through Serial No. 2012999999
	807294	Motor Harness	All other models starting Serial No. 2101000001
4	806028	Door Lock Harness Assembly	Through Serial No. 2012999999
	807293	Door Lock Harness Assembly	Starting Serial No. 2101000001
5	D513991	Security Cabinet Harness	

NOTE: Individual wires are not available separately. Order complete wire harness, or order wire by the foot. When applying terminals to wires, it is recommended that the terminals be soldered to the wires.

Parts Index

A

Access Cover Plate D514356	119
Access Panel and Guard Assembly D514252DG	69
Access Panel Assembly D514250DG	25, 69, 71, 77
D514250WP	25, 69, 71, 73, 75, 77
D514251	25, 73, 75
806528	25
Access Panel Plate D510903	119
Adhesive D511637P	89, 101
Air Duct Assembly D518431	95
D518432	97, 99
D518433	95, 97, 99
Anchor 155P3	51
Anchor Floor Mount Assembly 802844P	51
Anti-Seize Compound 27604P	39, 83

B

Balance Ring Assembly 804393	39
Bar Sensor D513737	89
Base Assembly 803876	51
Bearing Housing Kit 805525	39
Bearing Kit 805730	39
Belt 807429P	41
Blower Fan Assembly D510139P	85
Blower Housing D511969LG	81
D511969WP	81
Blower Housing Seal D510238P	79
Booster and Holding Coil 58804A	109, 111
Bracket D510146	119
D516238	113, 115
Broken Belt Harness D517236	151
Bulkhead Assembly D505899WP	89
Bumper Pad 36226	51
56128	121, 127

Burner Assembly D510149P	109, 111, 113, 115
-----------------------------------	--------------------

C

Cabinet Panel Kit 800004WP	51
Cabinet Rear Panel D514632P	119
D517566	119
Cabinet Side Panel D510001DGP	121
D510001WP	121
D510002DGP	119
D510002WP	119
D512538	121
D512539	119
800004DG	51
800005DG	51
802525P	51
802526P	51
Cable Connection Box 39922	53
Caution Label 801706	147
Chemical Injection Conversion Kit 805938	29
805939	29
808076	29
808077	29
Clamp Ring 803802	37
Clearance Label D513341	145
Clothes Guard Deflector 804467	37
805548	37
Combustion Duct D510131	107
Compartment Cover 803669	29
Contactors 806428	21
807472	21
Contactors Bracket D511859	121
Control D514566P	15
D514567P	15
D515798P	19
Control Assembly D514565P	15
D514656P	19
D515430P	19
D517584	15
D517585	15
805217P	13, 19
805218P	13
805219P	13
805225P	13
805236P	13
806259P	19

N/A items do not appear in index.

806589	13
807516	13
807517	13
807518	13
807519	13
807521	13
Control Bracket	
807441	41
Control Cabinet	
804639DG	19
804639W	19
804640DG	19
804640W	19
Control Cabinet Base	
804642	19
Control Harness	
806277	157
807348	157
Control Overlay	
804491	17
804734	17
805650	17
805651	17
806309	17
806446	17
806701	17
806745	17
806807	17
807189	17
807466	17
807654	17
807708	17
Control Panel	
803960WP	7
806135DG	19
806586W	19
Control Shield	
804363	7, 19
Counterweight	
807476	35
Cylinder Assembly	
D510159WP	89
D510265LG	89
D510265WP	89
Cylinder Baffle	
D510102LG	89
D510102W	89
Cylinder Belt	
D511255P	83
Cylinder Glide	
D513710	89
Cylinder Glide Bracket	
D510145	89
Cylinder Light Assembly	
D512109	91, 93
Cylinder Light Harness	
D516363	151
Cylinder Light Lens	
D512106	91, 93
Cylinder Roller	
D510708P	101
Cylinder Roller Bracket	
D510100	101
Cylinder Seal Assembly	
D510207P	89, 101

D

Detergent Hose	
804717	29
Directional Exhaust Kit	
528P3	119
Disconnect Power Warning Label	
D505281	145, 147
Dispenser Assembly	
803698	29
Dispenser Drawer	
803667	29
Dispenser Handle	
804227B	29
804227WP	29
804228	29
Dispenser Inlet Hose	
803849	29
806718	29
807364	29
Dispenser Plate	
803843	29
Domed Label	
203173	17
800923	17
804970	17
Door Assembly	
D516510WP	59
D516737W	61, 63, 65
804083WP	23
804210P	23
805550	23
Door Catch Assembly	
D510177	69, 71, 73, 75, 77
802803	23
Door Glass	
802695P	23
Door Glass Mounting Plate	
804239	23
Door Handle Wedge	
D510129W	59, 63, 65
Door Hinge	
802934	23
Door Latch Assembly	
803920	25
Door Liner Assembly	
D516508	59
Door Liner Grill	
D503870LG	59, 61, 65
D503870W	59, 61, 63, 65, 67
Door Lock Drip Shield	
804784	25
Door Lock Harness Assembly	
806028	157
807293	157
Door Pull	
D512947	59
Door Pull and Wedge Kit	
D510103WP	59, 61, 63, 65, 67
D511213P	59
Door Seal	
804428P	25

N/A items do not appear in index.

Door Seal Assembly 804429P	25
Door Strike D510181	59, 61, 63, 65, 67
Door Strike Mount D510127	59, 61, 63, 65, 67
Drain Base Bracket 803814	49
Drain Hose 803976	47
Drain Hose Bracket 803828	51
Drain Hose Sleeve 33615	47
Drain Pump Assembly 803922	49
805724P	49
805772P	49
Drain Pump Drip Shield 805561	47
Drain Pump Isolator 803815	49
Drain Valve Kit F976P3	45
Drain-to-Cabinet Hose 800903	45
Drip Shield D514327	73, 75, 77
Drive Belt 804985	41
Drum Light Lamp D503579	91, 93
60954	91, 93
Dryer Base D514245	119
Dryer Door D510013DG	59
D510013WP	59
D510082WP	63, 65
D512969	59
D515960W	59
D515961W	61, 63, 67
D515963	59
Dryer Door Window D503982P	61, 63, 65
D515681	61, 63, 67
Drying Rack D512082P	89

E

Elbow D513072	109, 113
Elbow Shut-Off Valve D510205	109
Electric Clearance Label D511005	145
Electrical Shock Label F8211201	145, 147
End Shield 806258	43
Exhaust Duct D516196	119

Exhaust Warning Label D500497	145
D502507	145
Expansion Clip 70030501	7, 19

F

Felt Pad D510189	89
Fill Hose 203718	33
203719	33
203720	33
203750	33
204102	33
204103	33
204108	33
Filter 805634	21
Filter Harness D518532	135, 141
D518533	135, 141
804396	9, 53, 141
804797	9, 11, 21, 53
Filter Jumper Harness 808048	53
Flexible Venting Kit 521P3	119
Foam Pad 804875	29
Foreign Object Deflector 806308	37
806313	37
806361	37
Front Bulkhead D513641	89
Front Bulkhead Assembly D515532	89
D515533P	89
D515534P	89
Front Control Harness 806031	157
807346	157
Front Panel D510066DG	69, 71, 73, 75, 77
D510066WP	69, 71, 73, 75, 77
D512542	73, 75
802277DG	25
802277WP	25
802288P	25
Front Panel Assembly Kit 806505W	27
806560	27
Front Panel Label D514863	73, 75, 77, 145
D514864	73, 75, 77, 145
Front Panel Seal D511056	69, 71, 73, 75, 77

N/A items do not appear in index.

G

Gas Clearance Label	
D511004	145
Gas Harness	
D517096	153
D517477	155
Gas Label	
D505215	145
Gas Power Harness	
D514083	151
Gas Valve Assembly	
D510506P	109
D513630	109
D513631	109
D516182	113
59063P	109
Gas Valve Coil	
D516699	113, 115
Gas Valve Mounting Bracket	
D510128	109, 111
510128	113, 115
Gas Valve, Bracket and Pipe Assembly	
D517607	111
D517609	111
D517610	115
D517611	111
D517612	111
Gasket	
802427	49
Glass Mounting Clip	
802700	23
Glide Kit	
RB170003	89
Gravity Drain Bracket	
803291	45
803833	51
Gravity Drain Valve	
803292P	45
Grommet	
29175	35
Ground Filter Harness	
D514039	135, 141
D518534	135, 141
Ground Label	
D502510	131, 137

H

Harness	
805684	151
Harness Strap	
55881	57
Heat Contactor Harness	
806431	21
807474	21
Heat Duct Shroud	
D510101	107
Heater	
D510325P	103
Heater Assembly	
D510324P	103

N/A items do not appear in index.

D510326P	103
D510327P	103
D510328P	103
D510329P	103
D511503P	103
Heater Contactor Drip Shield	
805356	21
Heater Duct and Screw Assembly	
D510025P	103
Heater Duct Assembly	
D510025P	107
Heater Kit	
964P3	105
Heater Kit Assembly	
61927	105
61928	105
61929	105
61930	105
61931	105
Heating Element	
806090	37
Heating Element Plug	
F360202	37
High Voltage Suppression Cable	
44239706	127
Hinge	
D511036	59, 61, 63, 65, 67
Hinge Hole Plug	
D510186	69, 71, 73, 75, 77
Hinge Plate	
802206	25
Hold Down Kit	
526P3	119
Hose Clamp	
F200204	47, 49
685725	29, 45
802281	25
803891	35
807386	29
Hose Clip	
36985	35, 57
800553	35
Hose Stand	
38732	47
Hot/Cold Label	
806454	147

I

ICM Gas Harness	
D516881	127
Idler Lever	
D516310	87
Idler Lever and Wheel Assembly	
D516792	87
Idler Spring	
D510185	87
Idler Wheel and Bearing Assembly	
D510142P	87
Igniter and Bracket Assembly	
D510184P	109, 111
Ignition Control	
70483201P	127

Inner Basket Assembly	
804374P	39
805485	39
Inner Basket Assembly Kit	
804376P	39
Inner Door Bezel	
808097	23
Inner Door Bezel Kit	
808095	23
808096	23
Inverter Control Assembly	
807175P	41

J

Junction Box	
803818	53
803819	53
804559	53
Junction Box Assembly	
D516152	131, 137
D516153	131, 137
Junction Box Cover	
D514363	133, 139
D516186	139
803820	53
Junction Box Seal	
D514379P	133, 139
803832	53

L

Label	
D503887	145
D516100	147
804969	17
805914	17
Lead-In Cord	
D513632	129
D514061	139, 143
D514953	133
D515971	129
D516162	139, 143
D516390	139, 143
D516611	139, 143
202405	53
202777	57, 129
202925	133
202926	139, 143
203315	139, 143
203344	129
39926	53
59373	133
805844	53
805974	53
807034	57
808050	57
Lead-In Cord Assembly	
D510505P	129
D516747	129, 133, 139, 143
804556	53
Lead-In Cord Kit	
61605P	139, 143

Lead-In Pipe Assembly	
D510204	109, 113
Left Hand Thread Label	
685928	147
804949	147
Leveling Leg	
D510135	119
34319	51
Lid Assembly	
802426P	49
Lifter	
804382	39
Light Housing Assembly	
D512108	91, 93
Limit Thermostat	
D510700	103
D510701	103
D510702	107
D515873	103
Line Filter	
804844	135, 141
804864	135, 141
805633	9, 11, 21, 53
Liner and Seal Assembly	
DD516509	67
D516509	61, 63, 65
Liner Door Seal	
D510147P	59, 61, 63, 65
D515709	61, 67
Liner, Seal and Grill Assembly	
D510163WP	59
Lint Filter	
D503980LG	95, 97, 99
D503980W	95, 97, 99
Lint Filter Cover	
D510502LG	95, 97, 99
D510502W	97, 99
Lint Filter Label	
D502781	145
D502804	77
L.P. Conversion Kit	
401P3	109, 111
649P3	109, 111
L.P. Orifice	
D503786	117
58755	117

M

Main Harness	
D516877	153
Manual Reset Thermostat	
44253901	103
Mixing Valve	
806510P	31
806611P	31
807497P	31
807837P	31
Mixing Valve Screen	
24122	31
Mixing Valve Shield	
804783	33
Moisture Sensor Base	
D513738	89

N/A items do not appear in index.

Motor and Pulley Assembly	
D505843P	83
D505869P	83
D511629P	83
Motor and Rod Assembly Kit	
805726P	41
808067P	41
Motor Control Shield	
804878	43
806498	43
Motor Harness	
806029	157
806962	157
807294	157
807612	157
Motor Hub Ring Kit	
590P3	83
Motor Mount	
D510060	87
Motor Mount Clamp	
D510180	83
Motor Pulley	
D500011	83
D500222	83
Motor Rod	
803861	41
807739	41
Motor Shield	
D514602	79
Motor Switch Bracket	
D516311	87

N

Natural/L.P. Gas Label	
D500240	145
Network Varistor Assembly	
804651	21
Notice Label	
D516073	147
803011	147
Nut	
F430218	37
03673	57
21899	51
23951	23
29786	45
29787	9, 11, 21, 135, 141
36020	25
44071201	61, 65
52566	87
56156	87, 101
685846	23
800452	35, 39
800931	19
802343	37
804418	39
N.G. Conversion Kit	
402P3	109, 111
650P3	109, 111
N.G. Orifice	
D503778	117
D503779	117
D503780	117
D503781	117

N/A items do not appear in index.

O

O-Ring	
802429P	49
Outer Door Bezel	
808091	23
808092	23
808094	23
Outer Tub Assembly	
803864	35
803865	35
807479	35
807480	35
807618	35
807619	35
Outlet Cover	
D500820	103, 107
D518524	103, 107
Out-of-Balance Switch Assembly	
803415	35
807384	35
Out-of-Balance Switch Bracket	
804457	35
807280	35
Output Board Shield	
D514420	121
Output Control Assembly	
D513797P	123
D517191P	125
D517269	123
D517319	125
807240	41
807243	41
Overlay	
806060	19
806121	19
806193	19
Oversuding Label	
802074	147
802838	147
802839	147

P

Paint	
806436P	51, 119
Panel Locator	
56079	25, 51, 69, 71, 73, 75, 77, 121
Pinch Warning Label	
F8615701	145, 147
Pop Rivet	
685847	35
Porcelain Touch-Up Paint	
122P4P	51, 119
Power Cord Assembly	
D506081	129
203119	139, 143
204061	53
39925	53
39931	53
58992	129
801450	53
802012	53

805732	53
806179	57
808046	53
Power Harness	
D514044	151
D515039	151
807298	157
Power Jumper Harness	
202917	11
Pressure Bulb	
803837	35
Pressure Sensor	
203843	51
Pressure Sensor Harness	
804433	157
Pressure Sensor Tube Assembly	
804483	35
804769	35
Pulley Assembly	
803974	39
Pulley Bolt Tightening Fixture	
802336	55
Pump Housing	
802428	49
Pump Housing Assembly	
802434P	49
Pump-to-Gravity Drain Kit	
805770	47
805771	47
Pushbutton Switch	
M413431	127

R

Rear Access Panel	
803998	7
807646	7
Rear Bulkhead Assembly	
D510905WP	101
D511082P	101
Rear Control Cabinet	
804859	19
Rear Panel	
803789	51
803790	51
806716	51
Retainer Clip	
36014	47
Retaining Ring	
23748	87, 101
Roller Kit	
RB170002	101
Rubber Foot	
D501855	51
34318	51

S

Screw	
D500226	59, 63, 65
D500227	91, 93
D500824	87

D501086	95, 97, 99
D501285	95, 97, 99, 101
D501524	43
D502535	85
D503661	9, 11, 21, 25, 41, 45, 47, 49, 51, 53, 133, 139
D503688	7, 19, 69, 71, 73, 75, 77, 85, 89, 101, 103, 107, 109, 111, 113, 115, 119, 121, 127, 131, 137
D505295	61, 63, 65, 67
D505870	61, 63, 65, 67
D512921	25, 51, 73, 119
D514428	121
D515597	61, 65
D515967	61, 63, 67
D516261	127
F8206901	41
M400043	39, 149
M400057	41
02916	41, 45
20530	57, 129, 143
23222	103, 109, 111
31260	79
33562	69, 71, 73, 75, 77
36048	119
38272	127
39733	25, 51, 69, 71, 73, 75, 77, 121
430497	19
51782	107, 109, 111, 113, 115
56124	109, 111, 113, 115
61199	101
62588	89
685831	39
70240301	7
800461	35
800462	37
800548	23, 25, 29, 39
800930	19
801001	29
801019	23
801045	25
801993	23
802431	49
802596	37
804399	39
804667	13, 15, 19, 121
804699	39
806276	25, 51, 73, 75, 77, 121
Screw Orifice	
58719	117
Seal Kit	
RB170001	89, 101
Sealant	
27615P	49
Secondary Coil	
58804B	109, 111
Security Cabinet Harness	
D513991	157
Sensor	
D510213	109, 111
Shaft	
56461P	87, 101
Shield Bracket	
804018	7
Shipping Bracket Label	
686901	149

N/A items do not appear in index.

Shipping Materials Kit 805729	149
Shipping Plate 803851	51
Shipping Plug 803859	51
Shock Assembly 803777P	35
Shock Warning Label F8614201	145, 147
Side Panel Kit 806492	51
Snap Bushing D503235	45
M402542	9, 11, 21
Spark Electrode 44328701P	113, 115
Speed Clip 28835	69, 71, 73, 75, 77
Standpipe Strap 33489	47
Strain Relief D517491	143
D517492	143
32219	47
38384	53, 57, 129
52113	129, 131, 137
60298	53, 131, 137
806511	57
Strain Relief Adapter D502496	129
Strain Relief Connector D511628	129
Strain Relief Plate 806508	57
Switch D512973	69, 71, 73, 75, 77
D516391	87
Switch Bracket D516237	127

T

Terminal Block Assembly D505876	21
D510190P	101
803988	9, 21
Terminal Block Drip Shield 805344	21
Terminal Block Harness 804737	21
Terminal Block Label D506072	143
D514618	137
Terminal Block Shield D510237	101
D517715	101
Thermal Fuse Assembly D518542	103
Thermistor Assembly D502366	85
D510523	85

Thermostat D510703	107
Thermostat Opening Cover 61203	11
Thermostat Shield D514325	79
Top and Bracket Assembly D513224	119
Top Hinge D510136	119
Top Kit D510032WP	119
Top Panel D510032DG	119
Transformer D513763P	121
202758	127
Transformer Shield D514334	121
Trunnion Kit 806831	39
Trunnion Shaft Kit 808043P	39
Tub Front 803770	37
Tub Front Assembly 803879	37
Tub Front Seal 803801	37
Tub-to-Gravity Drain Hose 803874	45
Tub-to-Pump Hose 803816	49
803829	49
T.G. Conversion Kit D516445	109, 111

U

Upper Electric Harness D516756	153
D516758	153
D517238	153
D517242	153
D517476	155
Upper Gas Harness D516757	153
D516765	153
D517094	153
D517098	153
D517100	153
D517211	153
Upper Harness D517204	153

V

Venting Instruction Label D502791	145
--	-----

W

Warning Label	
D500049	35, 145, 147
D500314	147
D500316	145, 147
D512263	77, 145
D514226	73, 75, 77, 145
D514410	73, 75, 77, 145
D514866	73, 75, 77, 145
D514867	73, 75, 77, 145
D515692	147
D515714	147
D515728	147
D515738	147
D515740	147
D516187	145
D516243	145
44321601	145
44324001	145
802367	147
803260	145, 147
804924	147
804933	147
805962	147
805964	147
805965	147
805966	147
806591	147
Warning Label	
D516514	145
Warning/Caution Label	
D500281	69, 71, 73, 75, 77, 145
Washer	
D504082	101
M400014	149
M400017	45
M400080	41
M400081	37
M403958	39
02834	41
03815	57
20290	33
26509	119
52549	87, 101
800457	39
802254	33
803615	33
804458	35
807679	39
Window Clip	
D513958	61, 65
Window Trim	
D503981W	63, 65
D515956W	61, 67
Wire Assembly	
D518255	103
D518256	103
Wire Clip	
D504034	57
687500	57
Wire Ring and Spring	
806466	25
Wire Tie	
38663	57
Wire, 12 Gauge	
45380	151
Wire, 18 Gauge	
45001	151
Wrapper Assembly	
804112W	7
Wrench	
392P4	55

N/A items do not appear in index.

