



# M50SL / M75SL Parts Manual

---

**American Dryer Corporation**  
88 Currant Road  
Fall River, MA 02720-4781  
Telephone: (508) 678-9000 / Fax: (508) 678-9447  
E-mail: [techsupport@amdry.com](mailto:techsupport@amdry.com)

[www.amdry.com](http://www.amdry.com)

# Retain This Manual In A Safe Place For Future Reference

This product embodies advanced concepts in engineering, design, and safety. If this product is properly maintained, it will provide many years of safe, efficient, and trouble free operation.

***ONLY properly licensed technicians should service this equipment.***

**OBSERVE ALL SAFETY PRECAUTIONS** displayed on the equipment or specified in the installation manual included with the dryer.

The following "FOR YOUR SAFETY" caution must be posted near the dryer in a prominent location.

## FOR YOUR SAFETY

Do not store or use gasoline or other flammable vapors and liquids in the vicinity of this or any other appliance.

## POUR VOTRE SÉCURITÉ

Ne pas entreposer ni utiliser d'essence ni d'autres vapeurs ou liquides inflammables à proximité de cet appareil ou de tout autre appareil.

We have tried to make this manual as complete as possible and hope you will find it useful. The manufacturer reserves the right to make changes from time to time, without notice or obligation, in prices, specifications, colors, and material, and to change or discontinue models.

## Important

For your convenience, log the following information:

DATE OF PURCHASE \_\_\_\_\_ MODEL NO. \_\_\_\_\_

RESELLER'S NAME \_\_\_\_\_

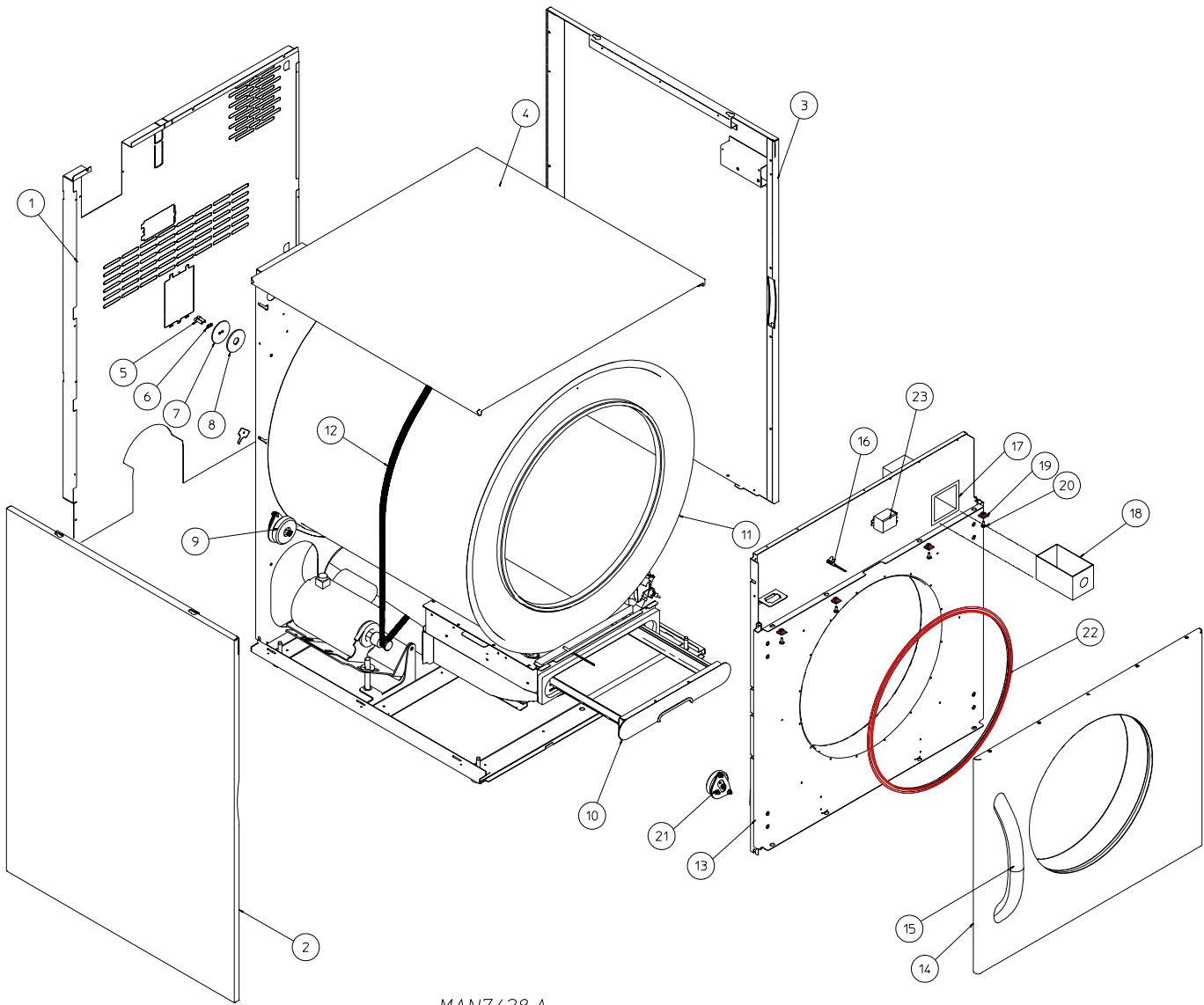
Serial Number(s) \_\_\_\_\_

\_\_\_\_\_

\_\_\_\_\_



# Parts Diagram

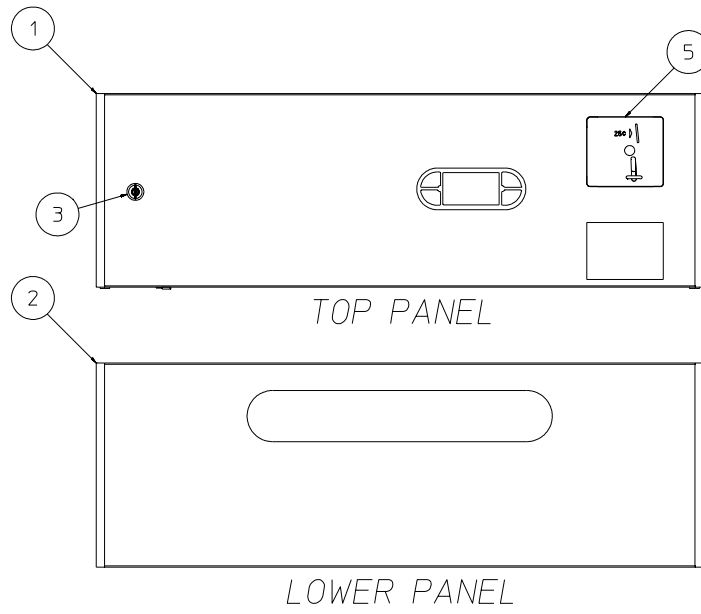


MAN7428.A

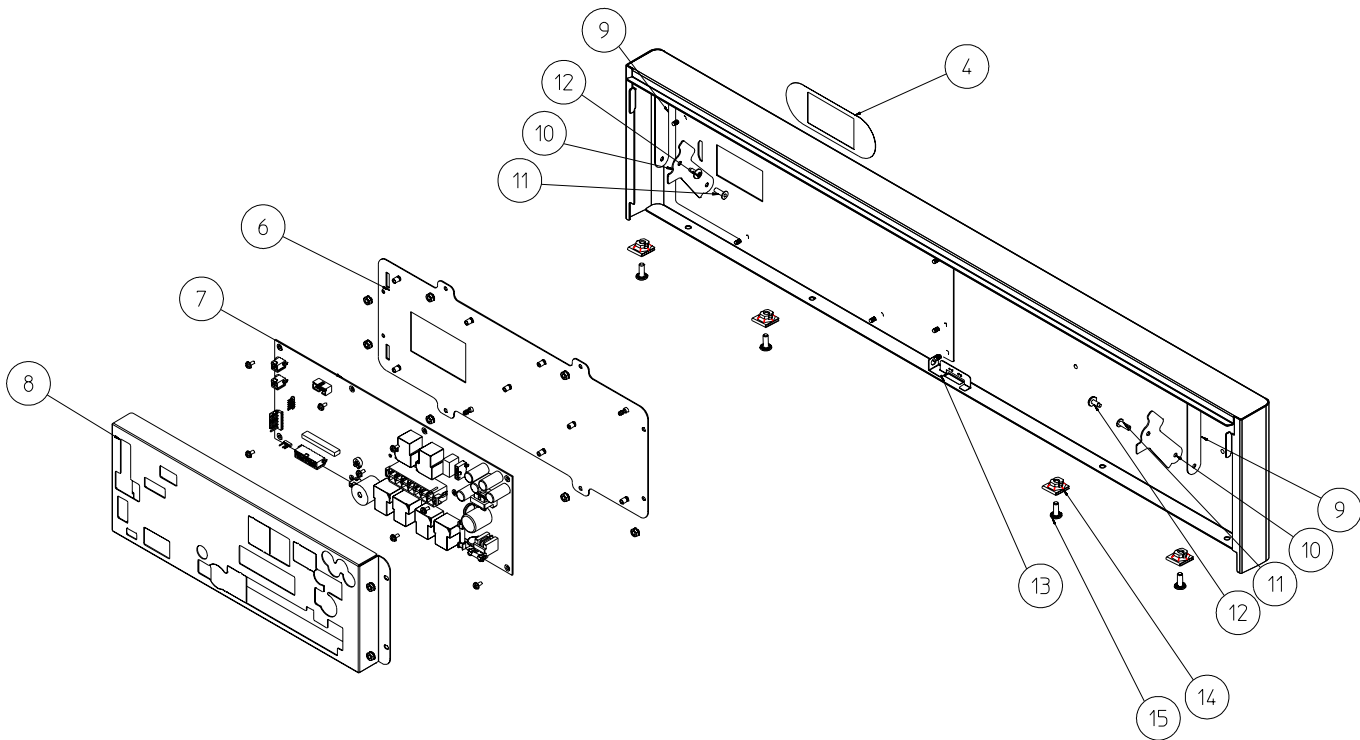
<u>Illus. No.</u>	<u>Part No.</u>	<u>Qty.</u>	<u>Description</u>
1	851399	1	M50SL / M75SL Back Guard Assembly for Gas and Electric (for models mfd. as of July 27, 2005)
2	851253	1	M50SL Left Side Panel Assembly
	851345	1	M75SL Left Side Panel Assembly
3	851255	1	M50SL Right Side Panel Assembly
	851343	1	M75SL Right Side Panel Assembly
4	851268	1	M50SL Top Panel Assembly
	851367	1	M75SL Top Panel Assembly
5	153064	2	1/4-20 x 1/2" Socket Cap Screw
6	153072	2	1/4" High Collar Lock Washer
7	185426	1	Dual Screw Backup Washer
8	153048	2	Inner Friction Pad
	354217	1	3/4" Plate Spacer ... Not Illustrated
	185240	1	Extended Tumbler Shaft ... Not Illustrated
9	851372	2	Rear Wheel Bracket Assembly (for models without banded tumbler)
	851562	2	Rear Wheel Bracket Assembly (for models with banded tumbler)
	180060	1	3-1/2" Wheel ONLY
10	819295*	1	Large Lint Drawer Assembly (painted)
	851380	1	Large Lint Drawer Assembly (stainless steel)
11	851557	1	M50SL Stainless Steel Tumbler with Band
	851555	1	M75SL Stainless Steel Tumbler with Band
	851374	1	M50SL Galvanized Tumbler
	851376	1	M75SL Galvanized Tumbler
12	102410	1	M50SL / M75SL 15 Rib Drive Belt (for all M75SL and M50SL models mfd. as of February 3, 2006)
	102409	1	M50SL 12 Rib Drive Belt (for M50SL models mfd. prior to February 3, 2006)
13	887190	1	M50SL / M75SL Non-Coin Mid Support Panel with Auto (black)
	887146	1	M50SL / M75SL Non-Coin Mid Support Panel with Auto (white)
	887147	1	M50SL / M75SL Non-Coin Mid Support Panel with Auto (stainless steel)
	887121	1	M50SL / M75SL Coin Mid Support Panel (black)
	887122	1	M50SL / M75SL Coin Mid Support Panel (white)
	887123	1	M50SL / M75SL Coin Mid Support Panel (stainless steel)
14	851274*	1	Main Door Assembly Complete with Handle (painted)
	851272	1	Main Door Assembly Complete with Handle (stainless steel)
	103067	3	Door Hinge ... Not Illustrated
15	170233*	1	Main Door Handle
16	818370	1	Rotation Sensor
17	851384	1	Coin Vault
	122002	1	Coin Vault Switch ... Not Illustrated
18	125916	1	Coin Box with 2 Keys (Note: each lock keyed different)
19	154061	4	Tinnerman U-Nut Retainer
20	183129	4	#10-32 x 1/2" T20 Truss Head
21	851371	2	Front Wheel Bracket Assembly (for models without banded tumbler)
	851530	2	Front Wheel Bracket Assembly (for models with banded tumbler)
	180060	1	3-1/2" Wheel ONLY
22	102397	1	M50SL / M75SL Door Gasket
23	131819	1	DPDT Reversing Relay 120V
	131818	1	DPDT Reversing Relay 208-240V

\* Specify color when ordering.

# Parts Diagram



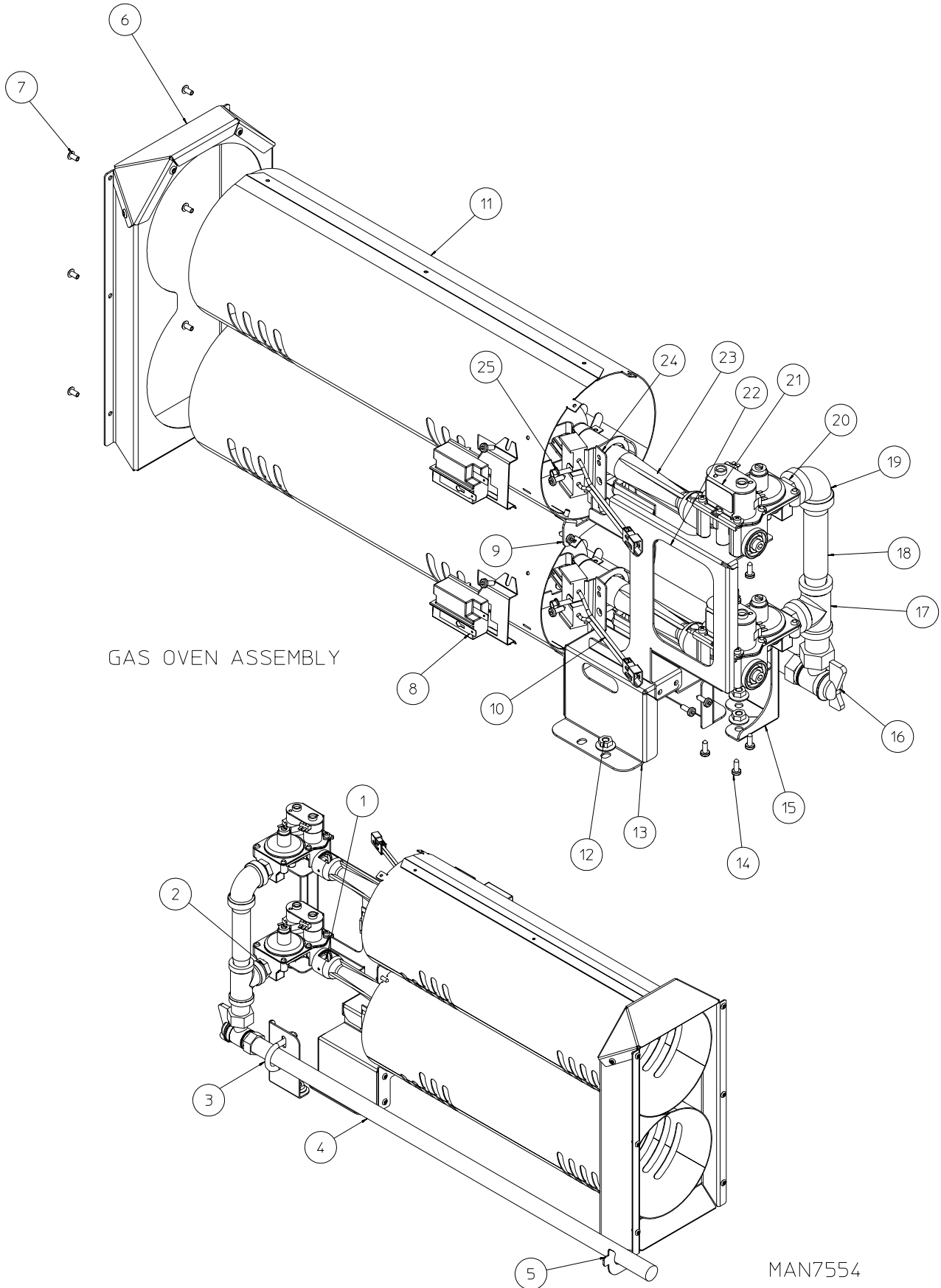
MAN7540



<u>Illus. No.</u>	<u>Part No.</u>	<u>Qty.</u>	<u>Description</u>
1	851522	1	Phase 8 Coin Control Panel Assembly Complete
	851518	1	Phase 8 Non-Coin Control Panel Assembly Complete
	851521	1	Phase 8 Coin Control Panel (panel Only)
	851517	1	Phase 8 Non-Coin Control Panel (panel Only)
2	185121*	1	Lower Panel (painted)
	185122	1	Lower Panel (stainless steel)
3	160040	1	XX4451 Lock
	160140	2	XX4451 Key
	122200	1	Microswitch
	160066	1	Offset Cam for Lock
	154004	1	Twin Speed Nut
4	112587	1	Phase 8 Coin Keypad
	112586	1	Phase 8 Non-Coin Keypad
5	818213	1	25¢ Coin Acceptor Assembly with Optic Switch
	819264	1	Programmable Euro / UK Coin Acceptor
	887041	1	Optic Switch ONLY (for 25¢ coin acceptor)
6	819508	1	Control Mount Assembly
7	887092	1	Phase 8 Microprocessor without Fire Suppression System
	887094	1	Phase 8 Microprocessor with Fire Suppression System
8	350250	1	Computer Board Cover
9	350203	2	Strain Relief Door Guide Strip
10	350204	2	Strain Relief Cabinet Guide Strip
11	154220	4	Button Head Pop Rivet
12	150313	2	#10-16 x 5 TORX® Screw
13	819196	1	Main Door Switch Assembly
	813411	1	Door Switch Extension Harness ... Not Illustrated
14	154061	4	Tinnerman U-Nut Retainer
15	183129	4	#10-32 x 1/2" T20 Truss Head

\* Specify color when ordering.

# Parts Diagram

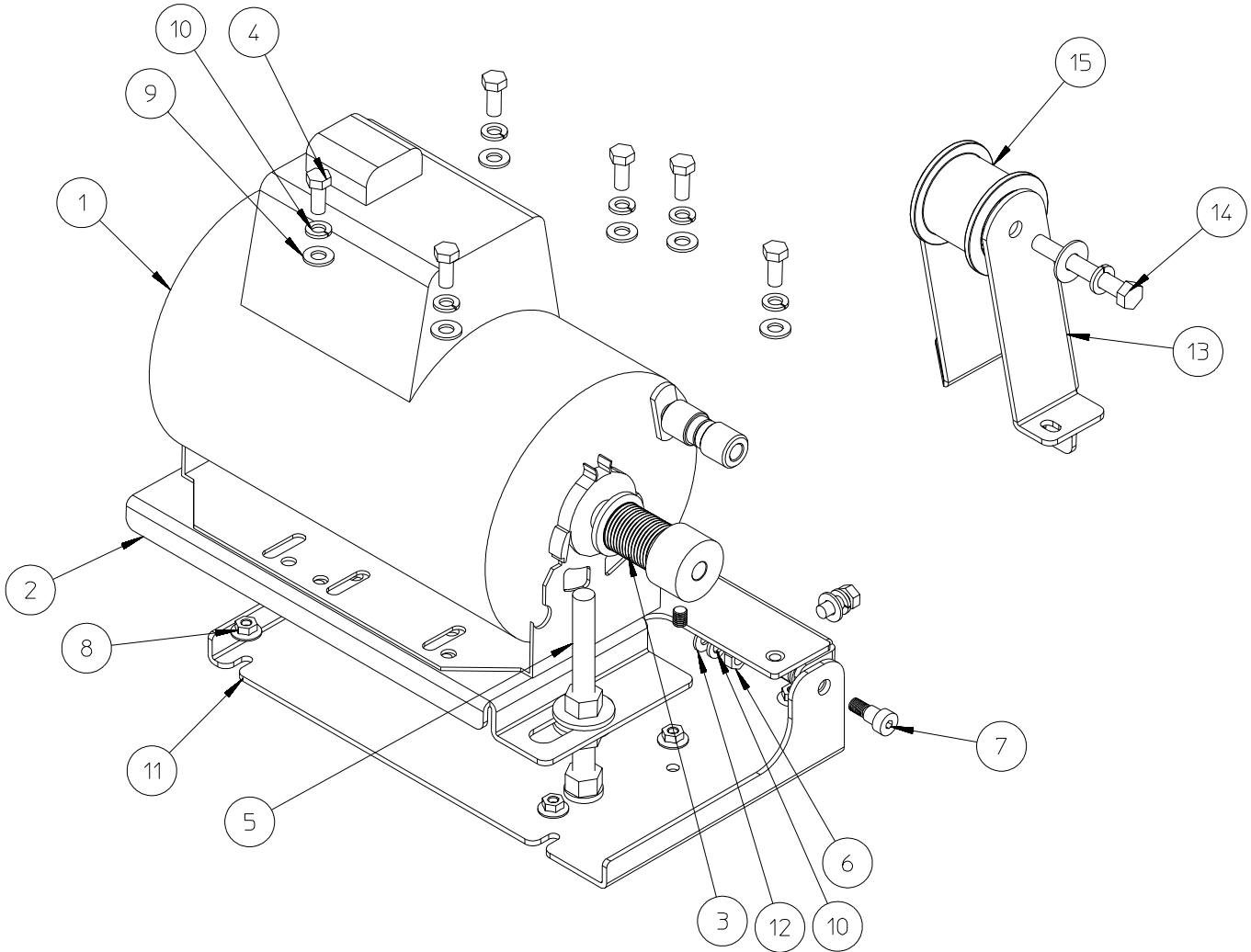




<u>Illus. No.</u>	<u>Part No.</u>	<u>Qty.</u>	<u>Description</u>
1*	140877	2	M50SL #29 Orifice Natural Gas
	140880	2	M75SL #22 Orifice Natural Gas
	140881	2	M50SL #47 Orifice Liquid Propane
	140905	2	M75SL #44 Orifice Liquid Propane
	884248	1	M50SL Liquid Propane Conversion Kit
	884249	1	M75SL Liquid Propane Conversion Kit
2	183137	2	3/8" Close Nipple Black Iron
3	154355	1	U-Bolt with Nuts for 1/2" Black Pipe
4	143344	1	M50SL 1/2" x 26" Black Pipe ONLY
	142636	1	M75SL 1/2" x 36" Black Pipe ONLY
5	350226	1	Rear Gas Pipe Support
6	851387	1	Burner Funnel Transition Assembly
7	154200	14	5/32 Pop Rivet
8	130500	2	Radiant Heat Sensor
9	350217	1	Burner Funnel Top Lip Bracket
10	128910	2	Hot Surface Ignitor
11	851386	1	M50SL 60 Hz Natural Gas Dual Burner Assembly
	851389	1	M50SL 50 Hz Natural Gas Dual Burner Assembly
	851390	1	M75SL 60 Hz Natural Gas Dual Burner Assembly
	851391	1	M75SL 60 Hz Natural Gas Dual Burner Assembly
	350219	2	M50SL Round Gas Burner Funnel
	350223	2	M75SL Round Gas Burner Funnel
12	152014	4	1/4-20 Free Spin Nut
13	350221	1	Dual Round Gas Burner Support Bracket
14	150331	19	#8-18 x 1/2" Pan Head TORX® Screw
15	350253	1	Front Gas Pipe Bracket
16	881367	1	Gas Shutoff Assembly
17	142820	1	1/2" x 1/2" x 1/2" Black Iron Tee
18	142703	1	1/2" x 4" Black Iron Pipe
19	142500	1	1/2 - 90° Elbow
20	142953	2	3/8" x 1/2" Steel Bushing
	128944	2	25M Gas Valve 120 VAC 60 Hz
21	128907	2	25M Gas Valve 120 VAC 50 Hz
	350220	1	Dual Gas Valve Bracket
22	183144	2	In-Shot Tube
23	185063	2	Ignitor Bracket
24	183145	2	Hot Surface Ignitor Mounting Screw
25			

\* Consult factory for elevation over 2,000 feet for correct burner orifice size.

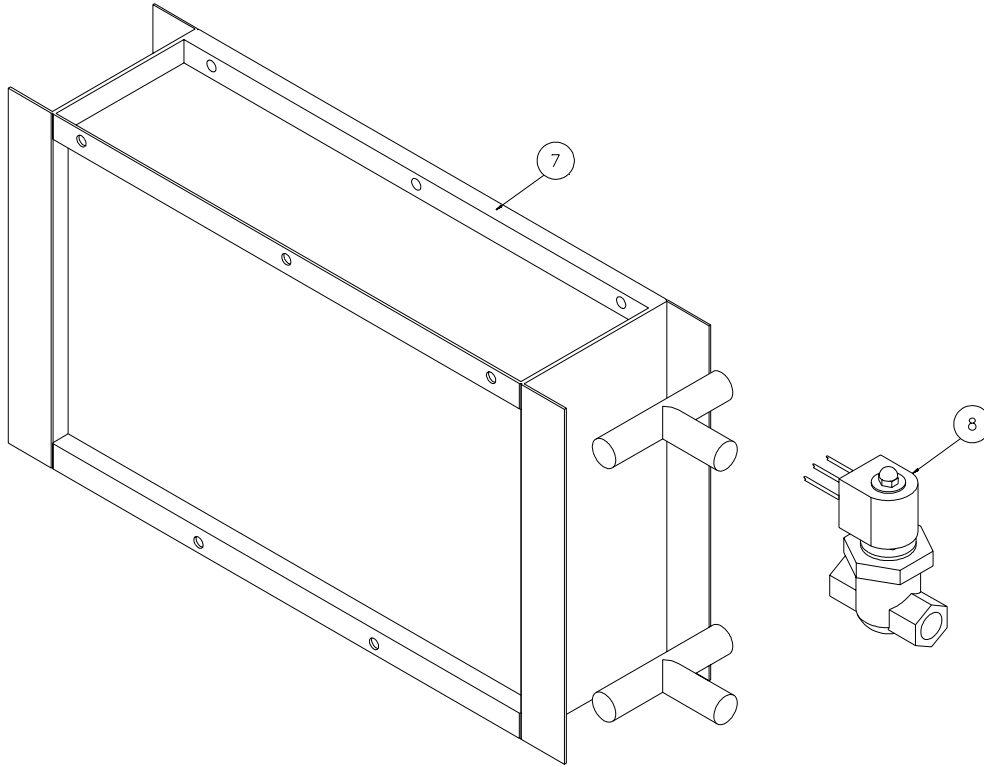
# Parts Diagram



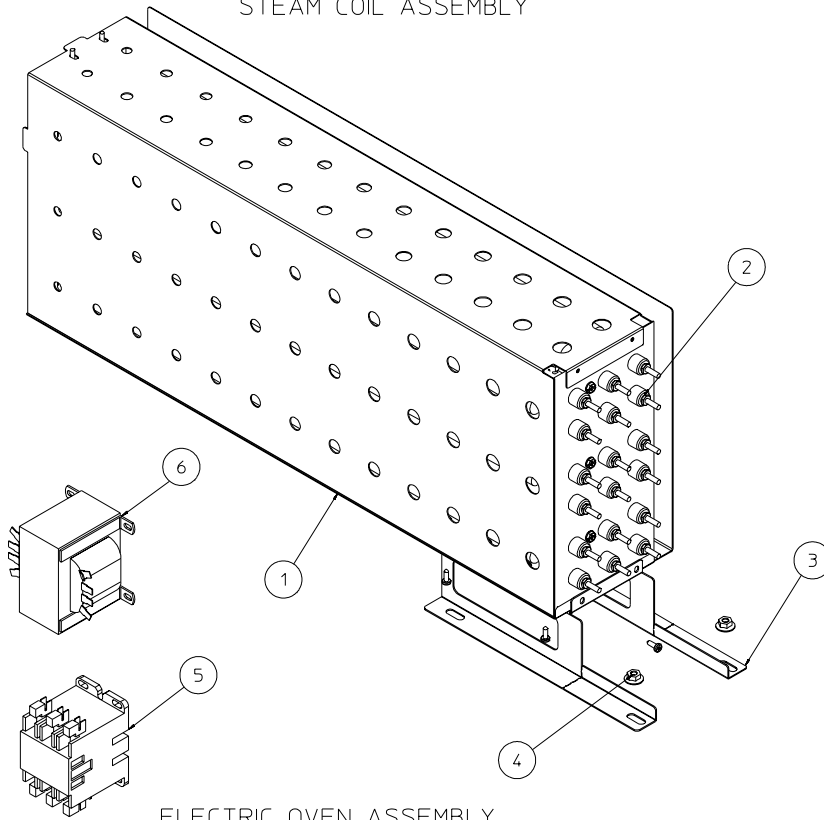
MAN7556

## Drive Motor Assembly

<u>Illus. No.</u>	<u>Part No.</u>	<u>Qty.</u>	<u>Description</u>	
1	851570	1	M75SL Motor Assembly with Mount (for all 60 Hz models except 208 volt)	
	851544	1	M75SL Motor Assembly with Mount (for 208 volt 60 Hz)	
	851545	1	M75SL Motor Assembly with Mount (for all 50 Hz models)	
	851570	1	M50SL Motor Assembly with Mount (for 60 Hz models mfd. as of February 3, 2006)	
	851545	1	M50SL Motor Assembly with Mount (for 50 Hz models mfd. as of February 3, 2006)	
	851286	1	M50SL Motor Assembly with Mount (for 60 Hz models mfd. prior to February 3, 2006)	
	851315	1	M50SL Motor Assembly with Mount (for 50 Hz models mfd. prior to February 3, 2006)	
	181122	1	Drive Motor (for all models except M75SL 208 volt 60 Hz)	
	181127	1	Drive Motor (for M75SL 208 volt 60 Hz)	
	2	851543	1	Motor Mount Plate Assembly (for models mfd. as of August 2, 2006)
851285		1	Motor Mount Clinch Nut Assembly (for models mfd. prior to August 2, 2006)	
3	185420	1	M50SL / M75SL 15 Rib 60 Hz Motor Sheave (for all M75SL and M50SL models mfd. as of February 3, 2006)	
	185462	1	M50SL / M75SL 15 Rib 50 Hz Motor Sheave (for all M75SL and M50SL models mfd. as of February 3, 2006)	
	350266	1	M50SL 12 Rib 60 Hz Motor Sheave (for models mfd. prior to February 3, 2006)	
	350267	1	M50SL 12 Rib 50 Hz Motor Sheave (for models mfd. prior to February 3, 2006)	
	154321	1	5/16-24 x 3/8" Setscrew	
	170733	1	Loctite ... Not Illustrated	
	4	150501	7	5/16-18 x 3/4" Hex Head Bolt
5	150609	1	1/2"-13 x 4-1/2" Bolt (for models mfd. as of August 2, 2006)	
	150616	1	1/2"-13 x 5-1/2" Bolt (for models mfd. prior to August 2, 2006)	
	152011	3	1/2"-13 Hex Nut	
	153033	2	1/2" x 1-3/8" Flat Washer	
	6	152004	2	5/16-18 Hex Nut
	7	154266	2	5/16-18 Shoulder Bolt
8	152014	5	Free Spin Wash Nut	
9	153001	7	Flat Washer	
10	153002	9	Split Lock Washer	
11	350301	1	Motor Mount Base Assembly (for models mfd. as of August 2, 2006)	
	851284	1	Motor Mount Base Assembly (for models mfd. prior to August 2, 2006)	
12	153018	2	1/4" Flat Washer	
13	851510	1	Idler Arm (for models mfd. prior to August 2, 2006)	
	150634	1	3/8" x 2-3/4" Hex Cap Screw (for models mfd. prior to August 2, 2006)	
14	153004	1	1" Flat Washer (for models mfd. prior to August 2, 2006)	
	153005	1	3/8" Lock Washer (for models mfd. prior to August 2, 2006)	
	100281	1	Idler Wheel (for models mfd. prior to August 2, 2006)	



STEAM COIL ASSEMBLY

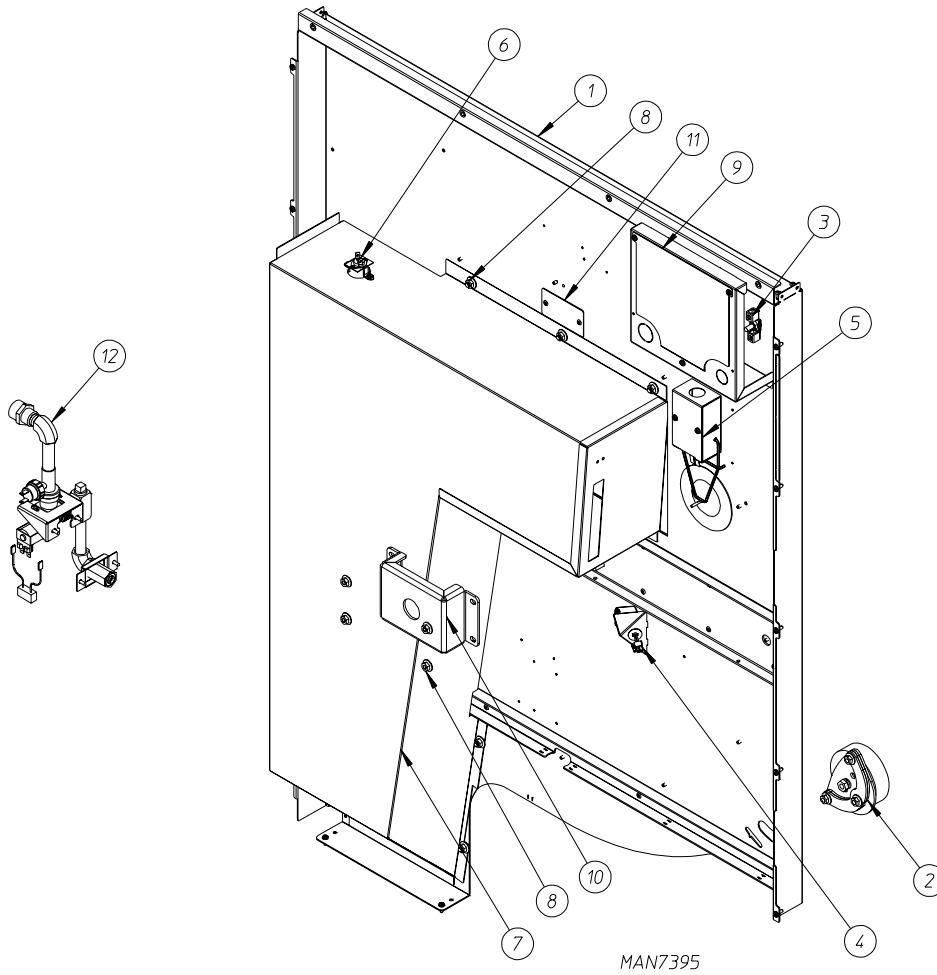
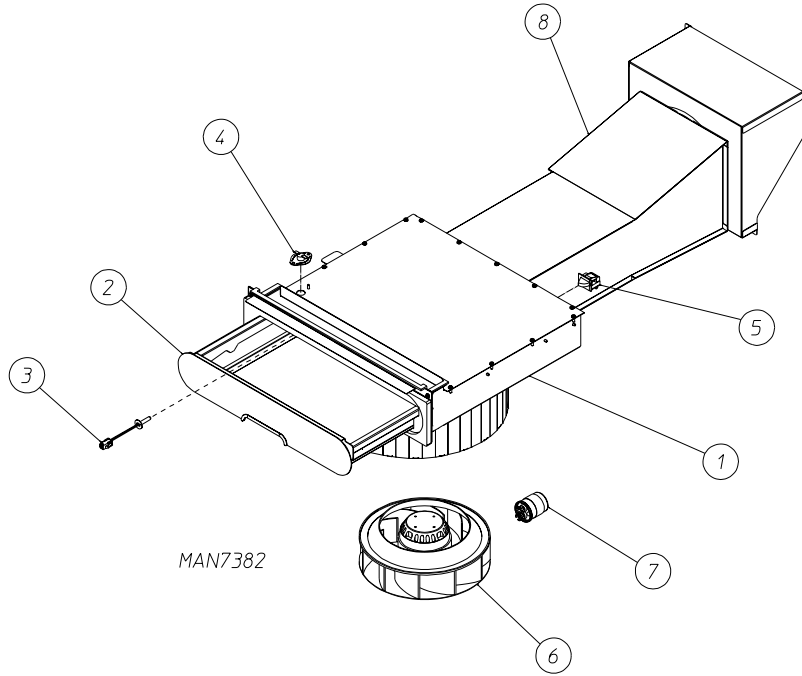


ELECTRIC OVEN ASSEMBLY

MAN7555

<u>Illus. No.</u>	<u>Part No.</u>	<u>Qty.</u>	<u>Description</u>
1	851395	1	M50SL Electric Oven Assembly 200-415v
	851396	1	M75SL Electric Oven Assembly 200-415v
2	119996	1	M50SL 16 kW Element
	119997	1	M75SL 22 kW Element
3	350230	1	Electric Oven Support Bracket
4	152014	2	Free Spin Wash Nut
5	131322	1	208/240v 30A Contactor 50/60 Hz
	131323	1	120v 40A Contactor 50/60 Hz
	131324	1	208/240v 40A Contactor 50/60 Hz
	131325	1	120v 50A Contactor 50/60 Hz
	131329	1	120v 75A Contactor 50/60 Hz
	131330	1	208/240v 75A Contactor 50/60 Hz
	132029	1	Auto Transformer
7	165067	1	Copper Steam Coil
8	813415	1	Steam Solenoid Phase 8 Assembly 120v
	813416	1	Steam Solenoid Phase 8 Assembly 220-240v

# Parts Diagram



Lint and Blower Assembly

<u>Illus. No.</u>	<u>Part No.</u>	<u>Qty.</u>	<u>Description</u>
1	819299	1	Large Lint Box Assembly (includes illus. nos. 3 through 5)
2	819295	1	Large Cold Rolled Steel Lint Drawer Assembly
3	818369	1	Exhaust Temperature Probe Assembly
4	130119	1	190° Exhaust Hi-Limit Sensor
5	122002	1	Lint Drawer Switch
6	851242	1	115v Impellor and Capacitor Assembly
	851243	1	230v Impellor and Capacitor Assembly
	150691	4	Impellor Mounting Screw ... Not Illustrated
	153007	4	Lock Washer for Impellor Mounting Screw ... Not Illustrated
7	100618	1	Capacitor for 115v Blower Impellor
	100670	1	Capacitor for 230v Blower Impellor
8	851292	1	M50SL Blower Housing Complete Assembly
	851365	1	M75SL Blower Housing Complete Assembly

Rear Tumbler Support Panel Assembly

<u>Illus. No.</u>	<u>Part No.</u>	<u>Qty.</u>	<u>Description</u>
1	851263	1	Gas and Electric Rear Tumbler Support Panel Assembly
	851401	1	Steam Rear Tumbler Support Assembly with Steam Coil
2	851372	2	M50SL / M75SL Rear Wheel Bracket Assembly
	851562	2	M50SL / M75SL Rear Wheel Bracket Assembly for Banded
	180060	1	3-1/2" Wheel ONLY
3	121010	2	Terminal Lug
4	851258	1	Axial Probe Assembly
5	818570	1	Sail Switch Assembly Complete
	122200	1	Sail Switch ONLY
6	183112	1	205° Hi-Limit Sensor
7	851262	1	Heat Duct
8	152014	13	1/4-20 Free Spin Nut
9	350237	1	Rear Electric Box
	350238	1	Rear Electric Box Cover
10	350228	1	Thrust Bearing Box
11	318691	1	Cover Plate (for models without a fire suppression system)
12	851514	1	Fire Suppression System Assembly (for US and Canada)
	851515	1	Fire Suppression System Assembly (for export)
	819855	1	Cold Weather Package for Fire Suppression System ... Not Illustrated

