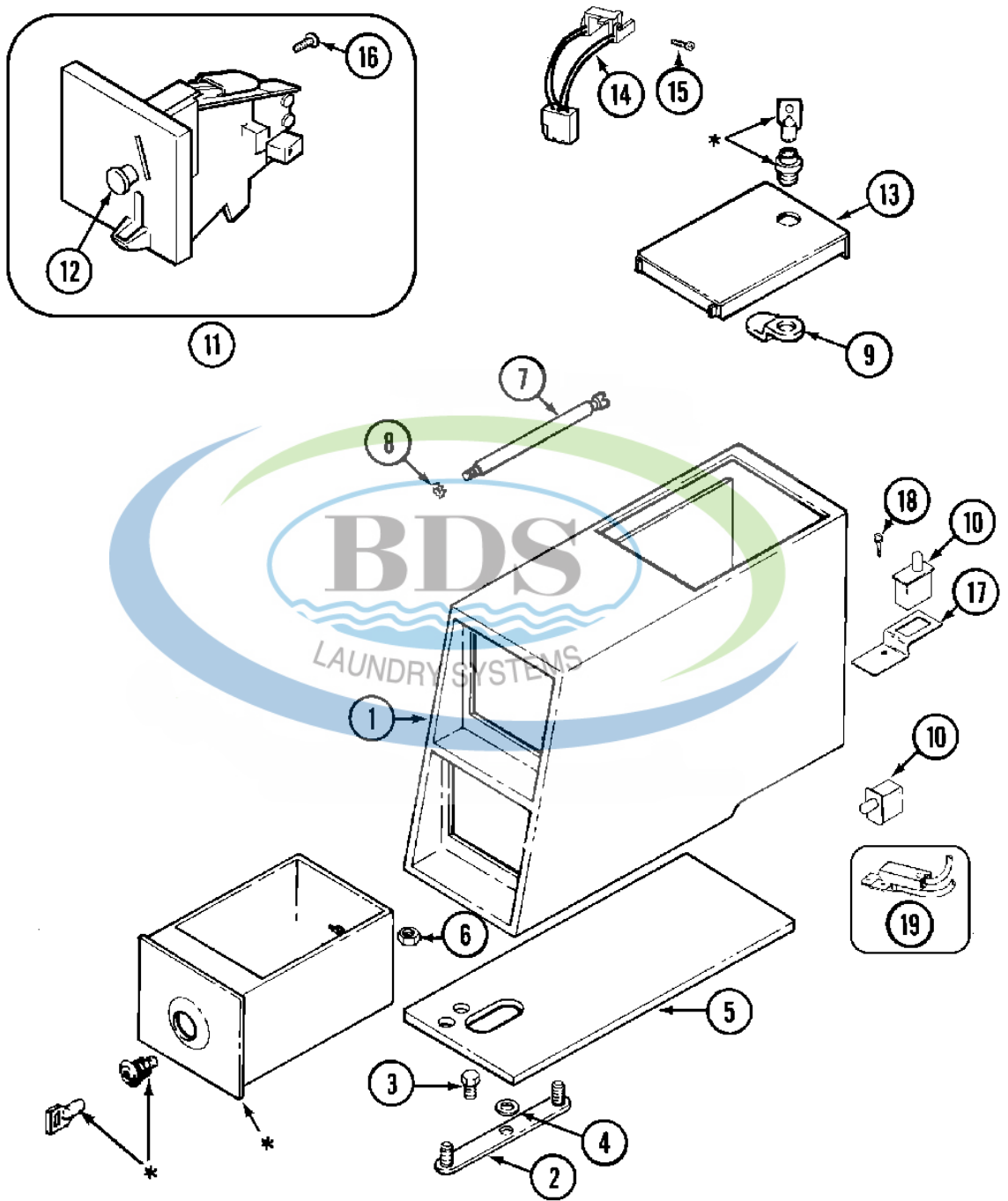


Ref #	Part Number	Qty.	Description
1	NLA	1	PANEL, CONTROL ASSY. (WHT)
2	W10131119	4	SCREW, CONTROL PANEL
3	NLA	1	WIRE, GROUND
4	W10135389	1	CONTROL SWITCH ASSEMBLY
4	W10756178	2	SCREW, CONTROL SWITCH
5	W10424308	3	PUSHBUTTON, CONTROL SWITCH
6	NLA	1	SWITCH & BACK BRKT ASY. (WHT)
7	NLA	1	SWITCH, PRESSURE
8	22002010	1	HOSE, PRESSURE SWITCH
9	NLA	1	CONSOLE (WHT)
9	NLA	1	SEAL, CABINET (EXPORT)
10	NLA	5	SCREW, CONSOLE
11	NLA	2	FASTENER, SCREW
12	NLA	1	TRANSFORMER (STEP-DOWN COMM)
12	NLA	1	FILTER, POWER LINE
12	22003048	1	BRACKET, LINE FILTER
12	489128	1	SCREW
13	NLA	2	SCREW, TRANSFORMER
14	74005230	2	NUT, TRANSFORMER
15	22004172	1	BOARD, RELAY (DRS)
15	22003703	1	BOARD, CONTROL
16	912077	4	LOCKNUT, CONTROL BOARD
17	NLA	4	STAND-OFF
18	NLA	1	HARNESS, WIRE
19	NLA	2	DEFLECTOR, WATER (W/ADHESIVE)
20	211252	1	SCREW, GROUND WIRE
21	NLA	2	SCREW, CIRCUIT BOARD
22	W10756178	2	SCREW, BACK BRACKET
23	W10131114	1	COVER, DISPLAY

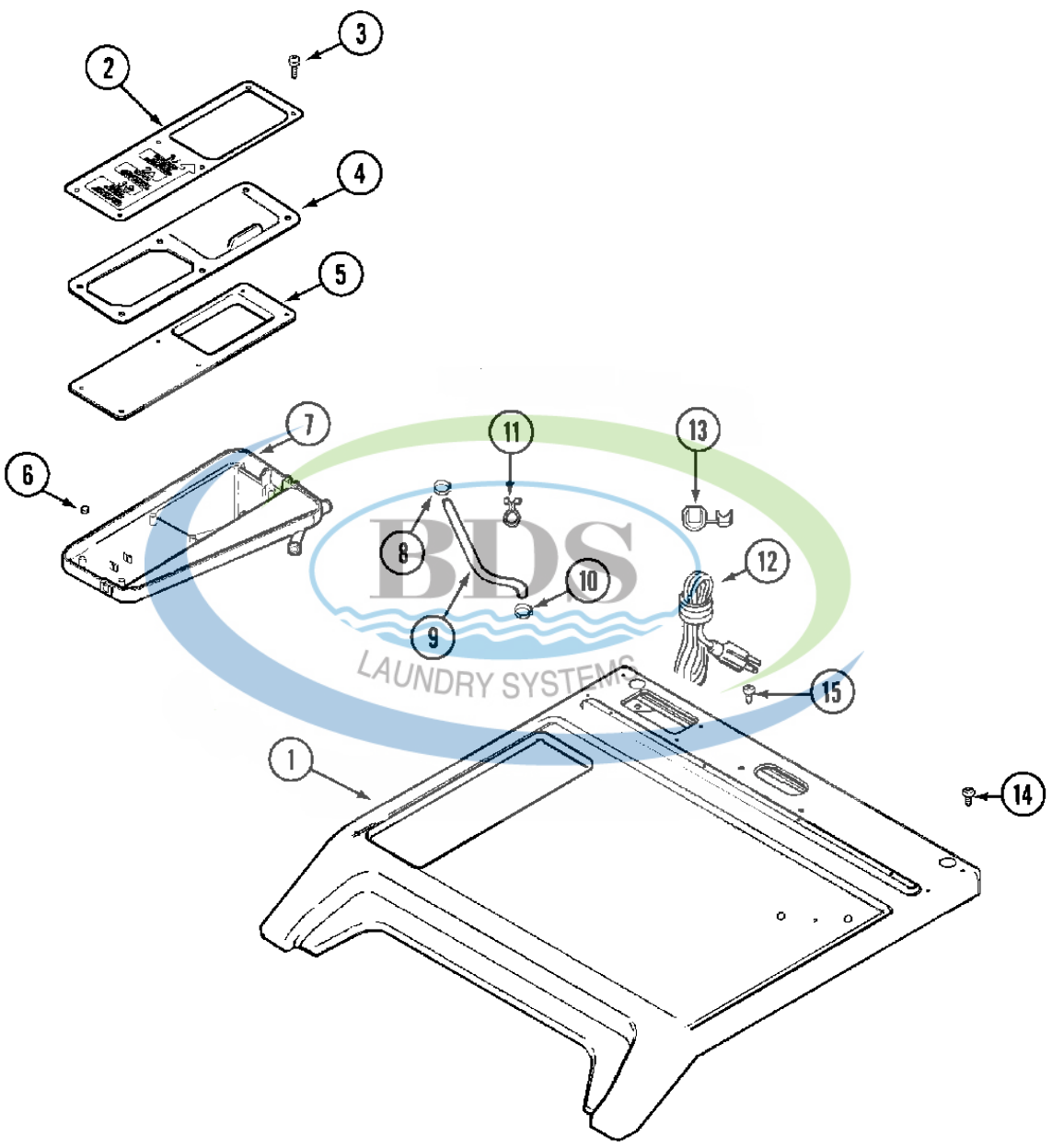




\* CONTACT YOUR COMMERCIAL LAUNDRY DISTRIBUTOR

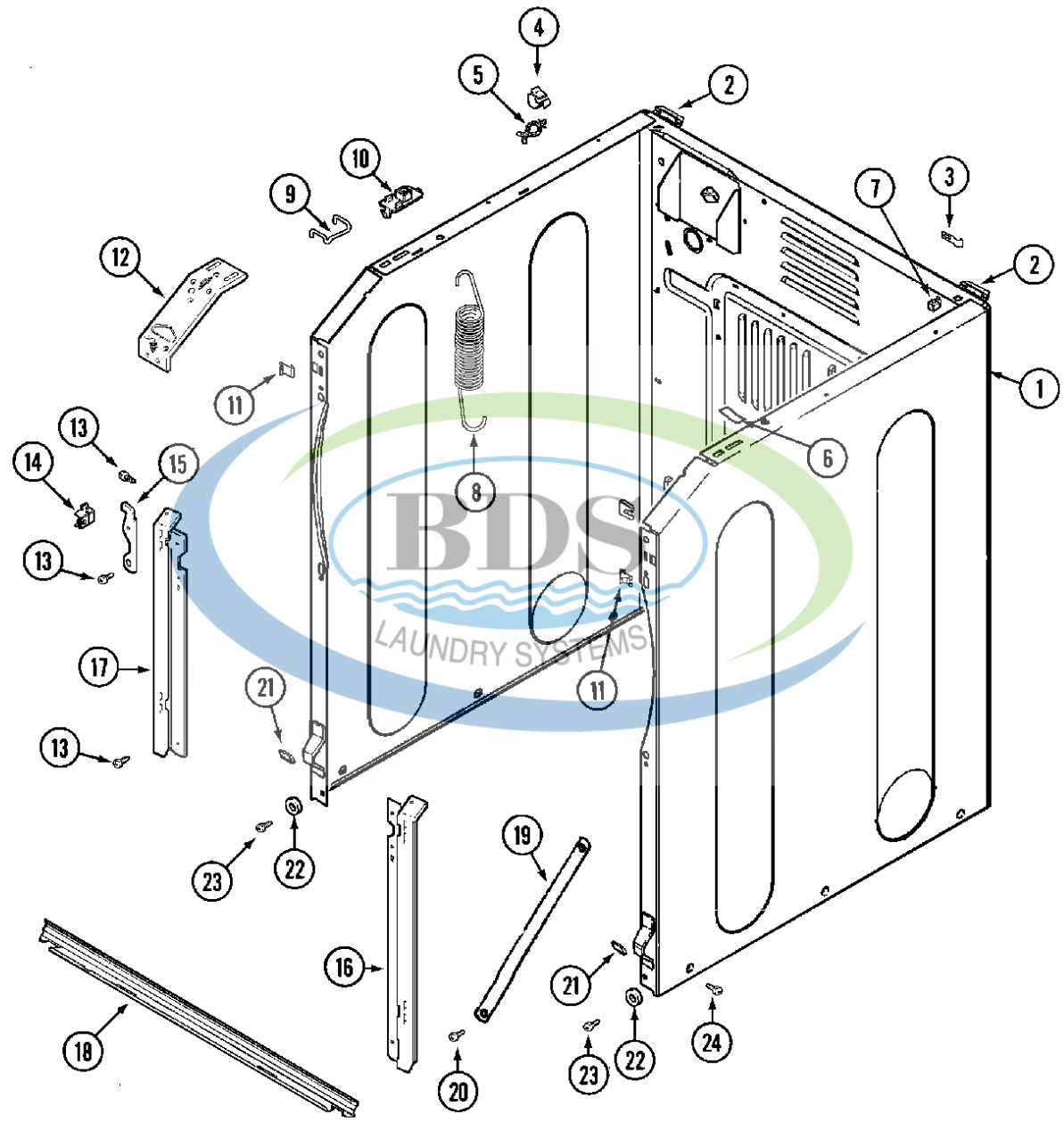
Ref #	Part Number	Qty.	Description
1	W10529176	1	VAULT, COIN (WHT)
2	NLA	1	STRAP, MOUNTING
3	NLA	1	SCREW, MOUNTING STRAP
4	NLA	1	WASHER, MOUNTING STRAP
5	NLA	1	GASKET, CONTROL CENTER (WHT)
6	Y052740	2	NUT, CASE MOUNTING
7	213035	2	BOLT, LOCKING
8	NLA	2	LOCKWASHER, LOCKING BOLT
9	NLA	1	CAM, LOCKING
10	22002536	2	SWITCH, SENSOR
10	912012	2	SCREW, SENSOR SWITCH
11	22004112	1	DROP ASSY., COIN
11	NLA	1	SINGLE FACEPLATE
12	NLA	1	BUTTON, RETURN
13	22001910	1	DOOR, ACCESS (WHT)
14	22001965	1	SWITCH ASSY., OPTIC
15	3395530	1	SCREW, OPTIC SWITCH
16	NLA	3	SCREW, COIN DROP
17	22001404	1	BRACKET, SWITCH
18	90767	1	SCREW, SWITCH BRACKET
19	NLA	1	HARNESS, SENSOR SWITCH



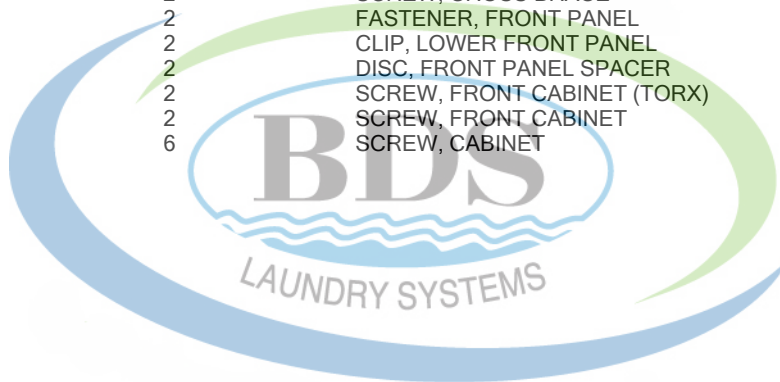


Ref #	Part Number	Qty.	Description
1	NLA	-	(ALM)
1	NLA	1	COVER, TOP (WHT)
2	NLA	1	COVER, COMM. DISPENSER (WHT)
2	NLA	-	(ALM)
3	400021-1	6	SCREW, DISPENSER
4	22002091	1	LID, COMMERCIAL DISPENSER
5	NLA	1	BEZEL, COMMERCIAL
6	NLA	3	PALNUT
7	NLA	1	DISPENSER BOTTOM, COMMERCIAL
8	285655	1	CLAMP, STEPLESS
9	NLA	1	HOSE, SHOWER
10	285655	1	CLAMP, HOSE
11	90767	1	SCREW, WIRE TIE
11	74007164	2	WIRE TIE, SHOWER HOSE
12	22003062	1	CORD, POWER
13	NLA	1	GROMMET, CORD
14	489128	1	SCREW, POWER CORD
15	489128	1	SCREW, GROUND WIRE

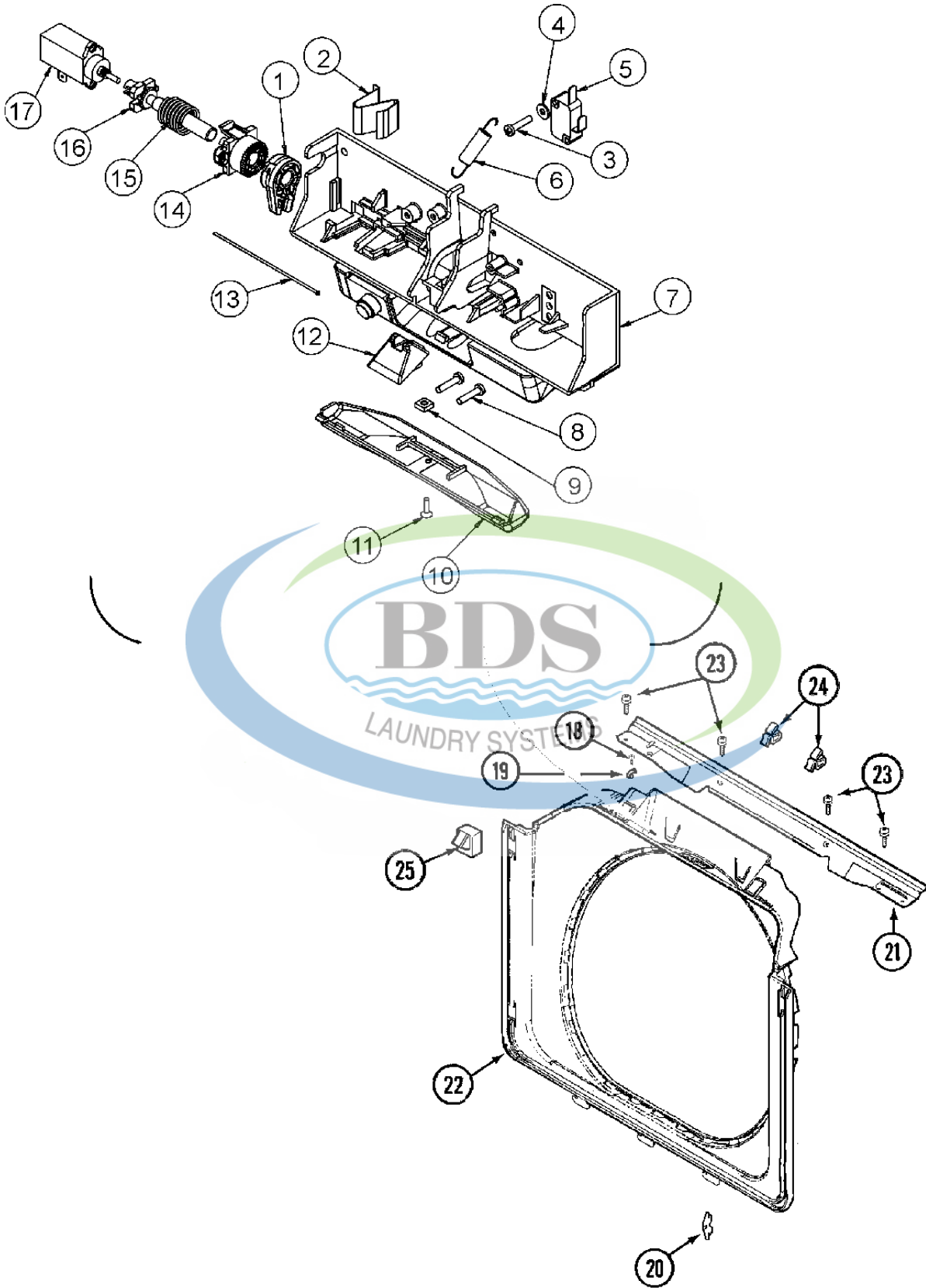




Ref #	Part Number	Qty.	Description
1	NLA	-	(CABINET ONLY)
1	NLA	-	(CABINET ONLY)
1	NLA	1	CABINET ASSY. (WHT)
2	NLA	2	BRACKET, CABINET HINGE
3	22001996	2	SCREW, BRACKET
3	NLA	2	BRACKET, AIR DOME HOSE
3	NLA	1	TIE, WIRE
4	308605	1	CLIP, WIRE HARNESS
5	22003298	2	RETAINER, WIRE
6	NLA	1	STRAP, TOP COVER SUPPORT
7	NLA	2	FASTENER
8	22002100	1	SPRING
9	22002297	2	SUPPORT, SPRING
10	NLA	2	SPACER, TOP COVER
11	22002239	2	CLIP, FRONT PANEL
12	NLA	2	BRACE, CORNER
13	22001995	8	SCREW, SHROUD SUPPORT
14	NLA	4	SUPPORT, HINGE
15	33002597	2	HOOK, SECURITY
16	NLA	1	BRACKET, SHROUD SUPPORT (RT)
17	NLA	1	BRACKET, SHROUD SUPPORT (LT)
18	NLA	1	BRIDGE, SHROUD SUPPORT
19	22001995	1	SCREW, CROSS BRACE
19	NLA	2	CROSS BRACE, CABINET
20	22001995	2	SCREW, CROSS BRACE
21	204439	2	FASTENER, FRONT PANEL
21	22002239	2	CLIP, LOWER FRONT PANEL
22	NLA	2	DISC, FRONT PANEL SPACER
23	22001496	2	SCREW, FRONT CABINET (TORX)
23	22001995	2	SCREW, FRONT CABINET
24	213007	6	SCREW, CABINET

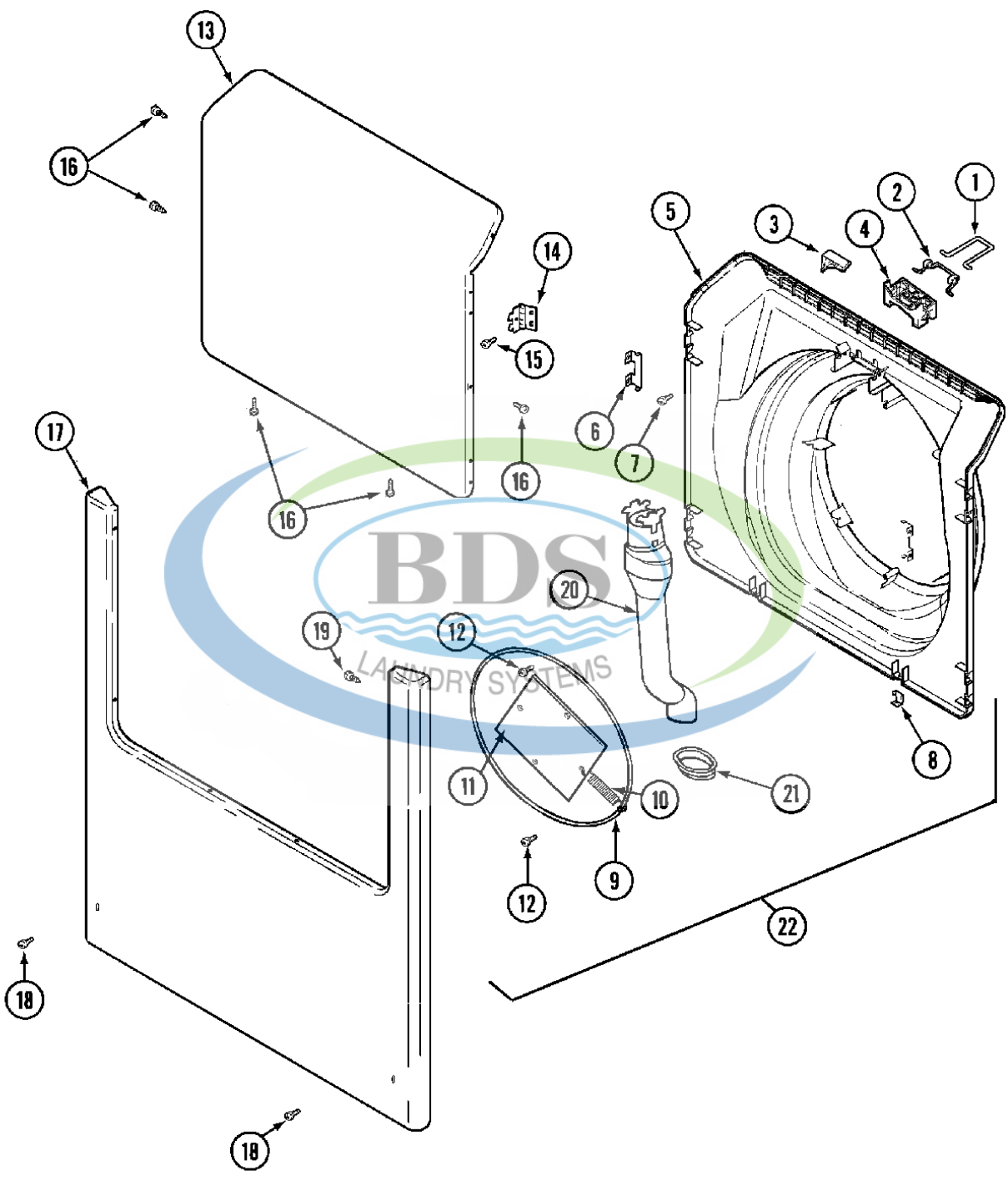




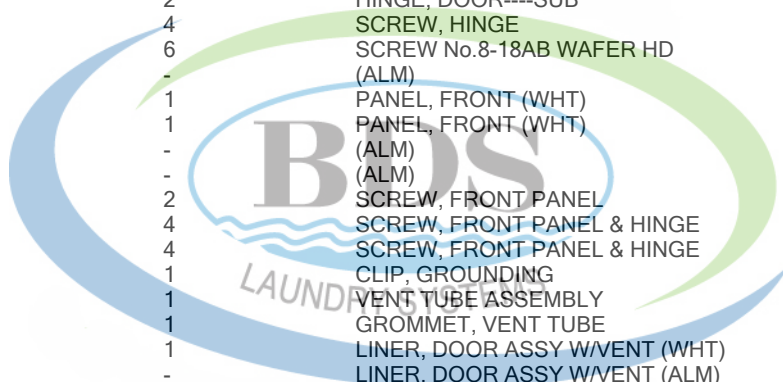


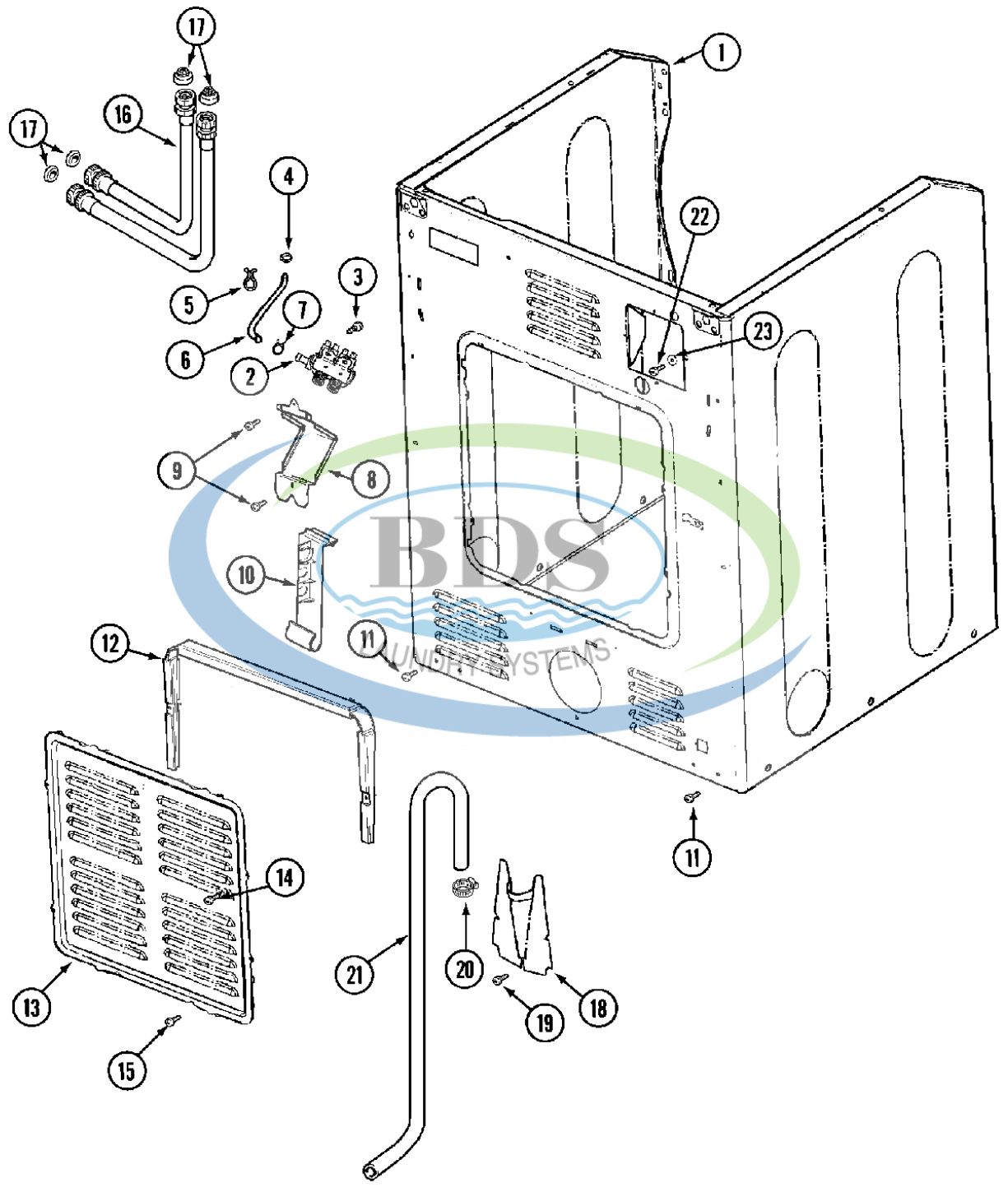
Ref #	Part Number	Qty.	Description
1	22003716	1	ROTATING GEAR, LATCH
2	22003717	1	SPRING, LATCH
3	NLA	1	SCREW, CHECK SWITCH
4	22002165	1	WASHER, DOOR LOCK SWITCH
5	22002162	1	SWITCH, DOOR LOCK SPIN ENABLE
6	NLA	1	SPRING, GEAR RETURN
7	22003722	1	SWITCH HOLDER ASSY, LATCH
8	NLA	2	SCREW, LATCH
9	22003720	1	NUT, LATCH
10	NLA	1	COVER, LATCH ASSEMBLY (LWR)
11	241877	1	SCREW
12	22003055	1	RAMP, DOOR HOOP
13	NLA	1	CABLE, DOOR
14	22003715	1	SLIDING GEAR, LATCH
15	22003721	1	SPRING, AXLE / LATCH
16	22003718	1	AXLE, LATCH
17	22002119	1	MOTOR, WAX
18	NLA	1	SCREW, WIRE HARNESS CLIP
19	308605	1	CLIP, WIRE HARNESS
20	12001994	2	COVER, HINGE (WHT)
20	NLA	-	COVER, HINGE (ALM)
21	NLA	1	SUPPORT, DOOR LOCK
22	NLA	-	SHROUD (ALM)
22	NLA	1	SHROUD (WHT)
22	NLA	1	SHROUD (WHT)
23	22001995	4	SCREW, DOOR LOCK SUPPORT
24	NLA	2	CLIP, WIRE HARNESS
25	NLA	1	SWITCH, SECONDARY DOOR (WHT)
25	NLA	-	SWITCH, SECONDARY DOOR (ALM)





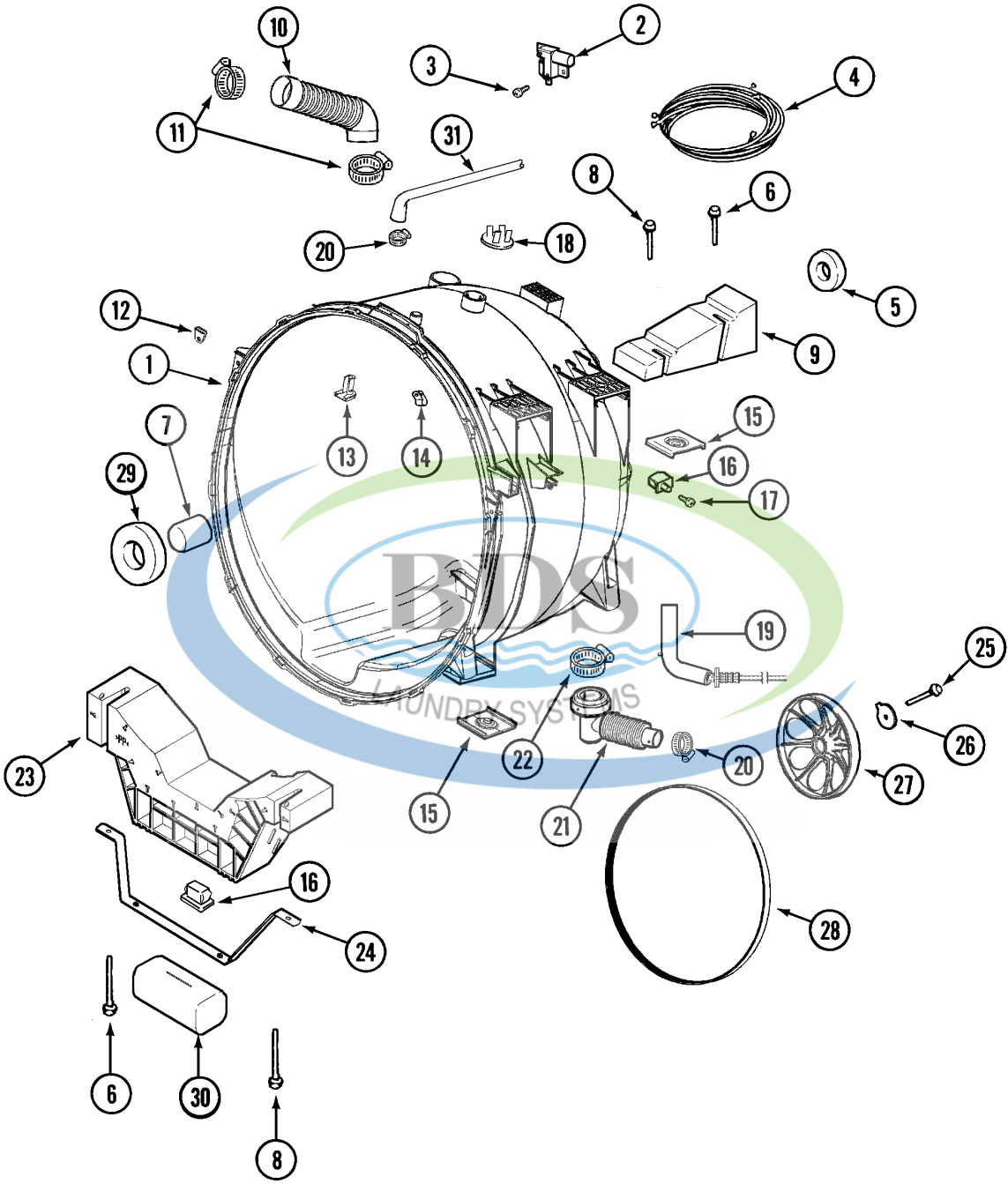
Ref #	Part Number	Qty.	Description
1	22003222	1	HOOP, LOCK
2	22002003	1	SPRING, LATCH
3	22003611	1	STRIKE, SECONDARY DOOR (WHT)
3	22003611	-	STRIKE, SECONDARY DOOR (ALM)
3		1	NOT REQUIRED PART OR SEE NOTE
4	22002168	1	SUPPORT, LOCK HOOP
5	22003611	1	DOOR, INNER (WHT)
5	22003611	-	(WHITE)
5	22003083	1	DOOR, INNER/DOOR STRIKE (WHT)
5	NLA	-	DOOR, INNER/DOOR STRIKE (ALM)
5	22003083	1	DOOR, INNER (W/VENT-WHT)
5	NLA	-	DOOR, INNER (W/VENT-ALM)
5	22003083	1	DOOR, INNER (WHT)
5	NLA	-	DOOR, INNER (ALM)
6	NLA	4	CLIP, DOOR (DOUBLE)
7	NLA	1	SCREW, STRIKE
8	22002039	2	CLIP, DOOR (SINGLE)
9	NLA	1	FRAME, WIRE
10	22002356	4	SPRING, PLATE
11	NLA	1	PLATE
12	22002007	2	SCREW, WIRE FRAME
13	NLA	1	DOOR, OUTER (WHT-W/DAMPER)
13	NLA	-	(ALM-W/DAMPER)
13	22002333	1	LABEL, OPEN DOOR (WASHER)
14	22002798	2	HINGE, DOOR----SUB
15	98006631	4	SCREW, HINGE
16	22002063	6	SCREW No.8-18AB WAFER HD
16	489355	-	(ALM)
17	NLA	1	PANEL, FRONT (WHT)
17	NLA	1	PANEL, FRONT (WHT)
17	22002242	-	(ALM)
17	NLA	-	(ALM)
18	22001496	2	SCREW, FRONT PANEL
19	22002012	4	SCREW, FRONT PANEL & HINGE
19	22002243	4	SCREW, FRONT PANEL & HINGE
19	NLA	1	CLIP, GROUNDING
20	22002990	1	VENT TUBE ASSEMBLY
21	22003075	1	GROMMET, VENT TUBE
22	22003083	1	LINER, DOOR ASSY W/VENT (WHT)
22	NLA	-	LINER, DOOR ASSY W/VENT (ALM)





Ref #	Part Number	Qty.	Description
1	NLA		(CABINET ONLY)
1	NLA		(CABINET ONLY)
1	NLA	1	CABINET ASSY. (WHT)
2	22002101	1	VALVE, WATER (TWO COIL)
3	Y313561	2	SCREW, WATER VALVE
4	285655	1	CLAMP, STEPLESS
5	74007164	2	WIRE TIE, TWIST LOCK
6	NLA	1	HOSE, INJECTOR----NA
7	596669	1	CLAMP, INJECTOR HOSE
8	NLA	1	BRACKET, WATER VALVE
9	NLA	2	SCREW, WATER VALVE BRACKET
10	22002076	1	STRAP, DRAIN HOSE
11	22001995	2	SCREW, CABINET
12	NLA	1	SPACER, ACCESS PANEL
13	NLA	1	PANEL, ACCESS
14	213117	2	SCREW, ACCESS PANEL SPACER
15	22001996	2	SCREW, ACCESS PANEL
16	202860	2	INLET HOSE ASSEMBLY
17	Y013783	4	WASHER, INLET HOSE
18	NLA	1	COVER, DRAIN HOSE
19	22001995	1	SCREW, DRAIN HOSE COVER
20	22001984	2	CLAMP, DRAIN HOSE
21	12001807	1	DRAIN HOSE KIT (CORRUGATED) (INCLUDES THE FOLLOWI...
21	12001807	1	HOSE, DRAIN
21	22002892	1	RETAINER, DRAIN HOSE
21	8539404	1	TIE, CABLE
21	NLA	1	HOSE, DRAIN----N
22	NLA	1	SCREW, GROUND LUG
23	NLA	1	WASHER, GROUND LUG

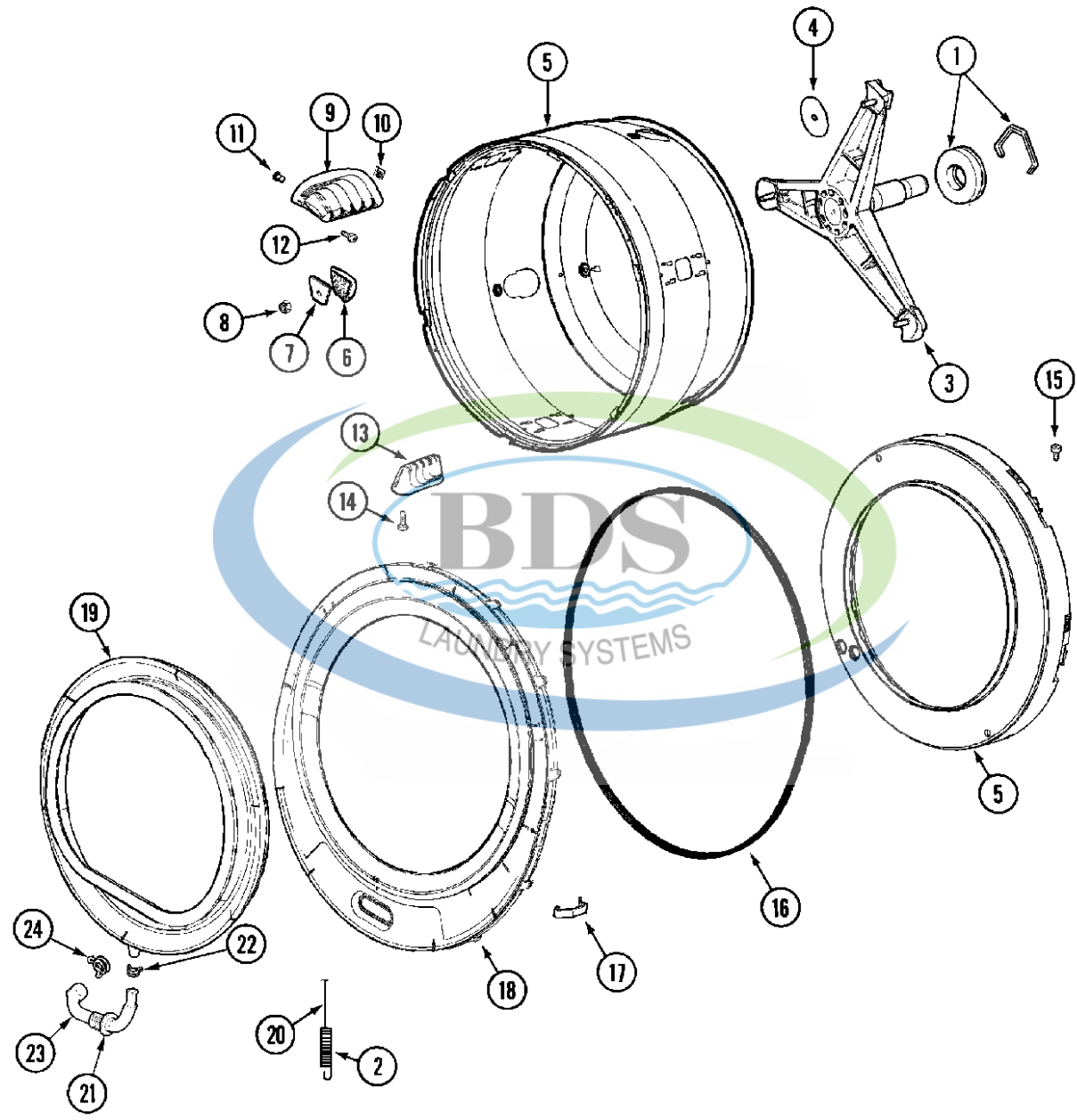




Ref #	Part Number	Qty.	Description
1	22004465	1	TUB ASSY. (OUTER)
2	22003302	1	SWITCH, INERTIAL - UNBALANCE
3	33002917	2	SCREW, INERTIAL SWITCH
4	NLA	1	WIRE HARNESS, DISPLACEMENT
5	22003441	1	BEARING, REAR
6	22003615	1	BOLT
7	22002935	1	SPACER, BEARING
8	22003616	1	BOLT
9	NLA	1	WEIGHT, COUNTER BALANCE
10	22002083	1	HOSE, INJECTOR
11	616099	2	CLAMP, INJECTOR HOSE
12	NLA	2	CLIP, U
13	22002959	1	DEFLECTOR, WATER
14	22002006	1	CLIP, WIRE HARNESS & OUTER TUB
14	910187	1	SCREW
15	NLA	4	NUT, COUNTER BALANCE
16	22002044	2	SWITCH, TUB DISPLACEMENT
16	NLA	1	COVER, UNBALANCE SWITCH
16	NLA	1	BRACKET, UNBALANCE SWITCH
17	910187	2	SCREW, DISPLACEMENT SWITCH
18	NLA	1	CLIP, HOSE (SADDLE HORN)
19	22002010	1	HOSE, AIR DOME
20	596669	1	HOSE CLAMP (1-1/16 INCH)
21	22003262	1	HOSE, TUB OUTLET
22	696392	1	CLAMP, SUMP HOSE
23	NLA	1	FRONT WEIGHT BRACKET
24	NLA	1	STRAP
25	22003937	1	SCREW, SPINNER
26	22003936	1	WASHER, SPINNER SHAFT
27	22002315	1	PULLEY, SPINNER
28	12001788	1	BELT, DRIVE
29	22002934	1	BEARING, FRONT
30	NLA	1	CUSHION

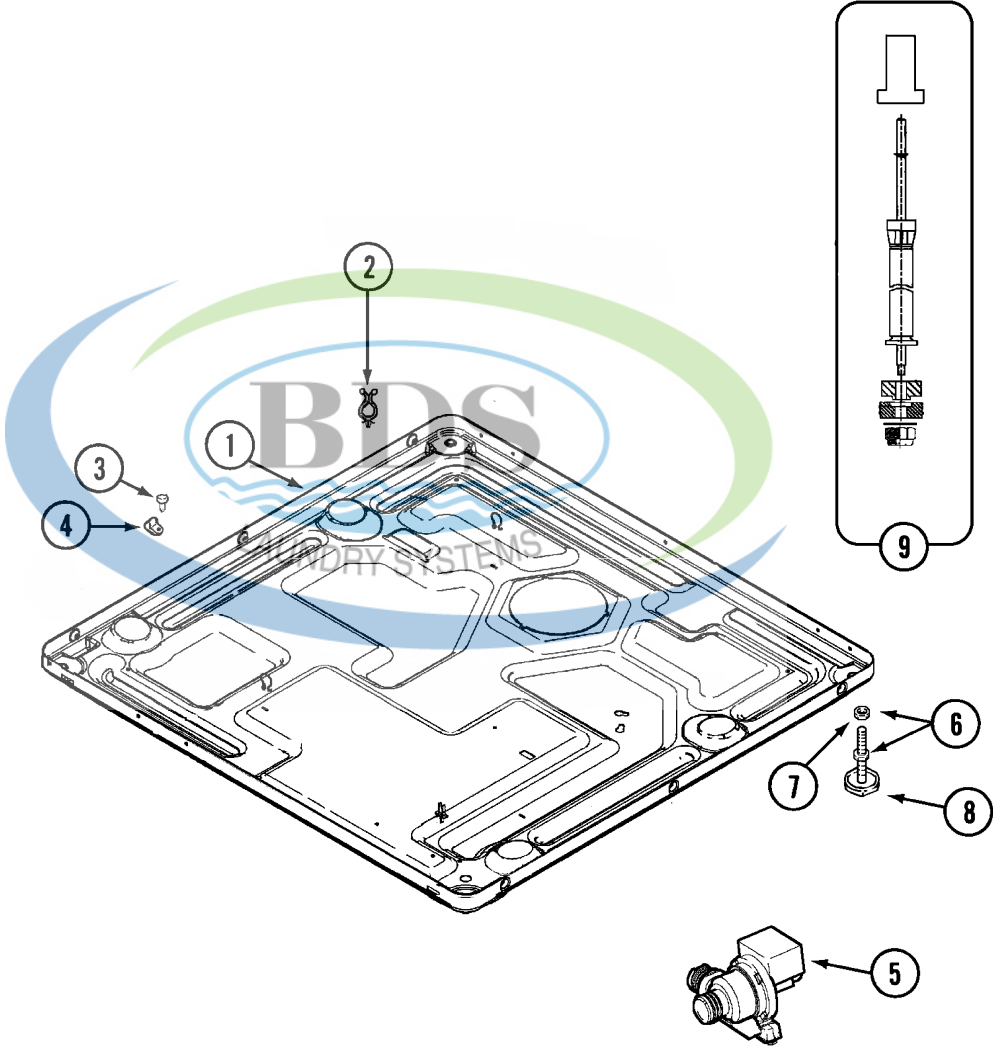






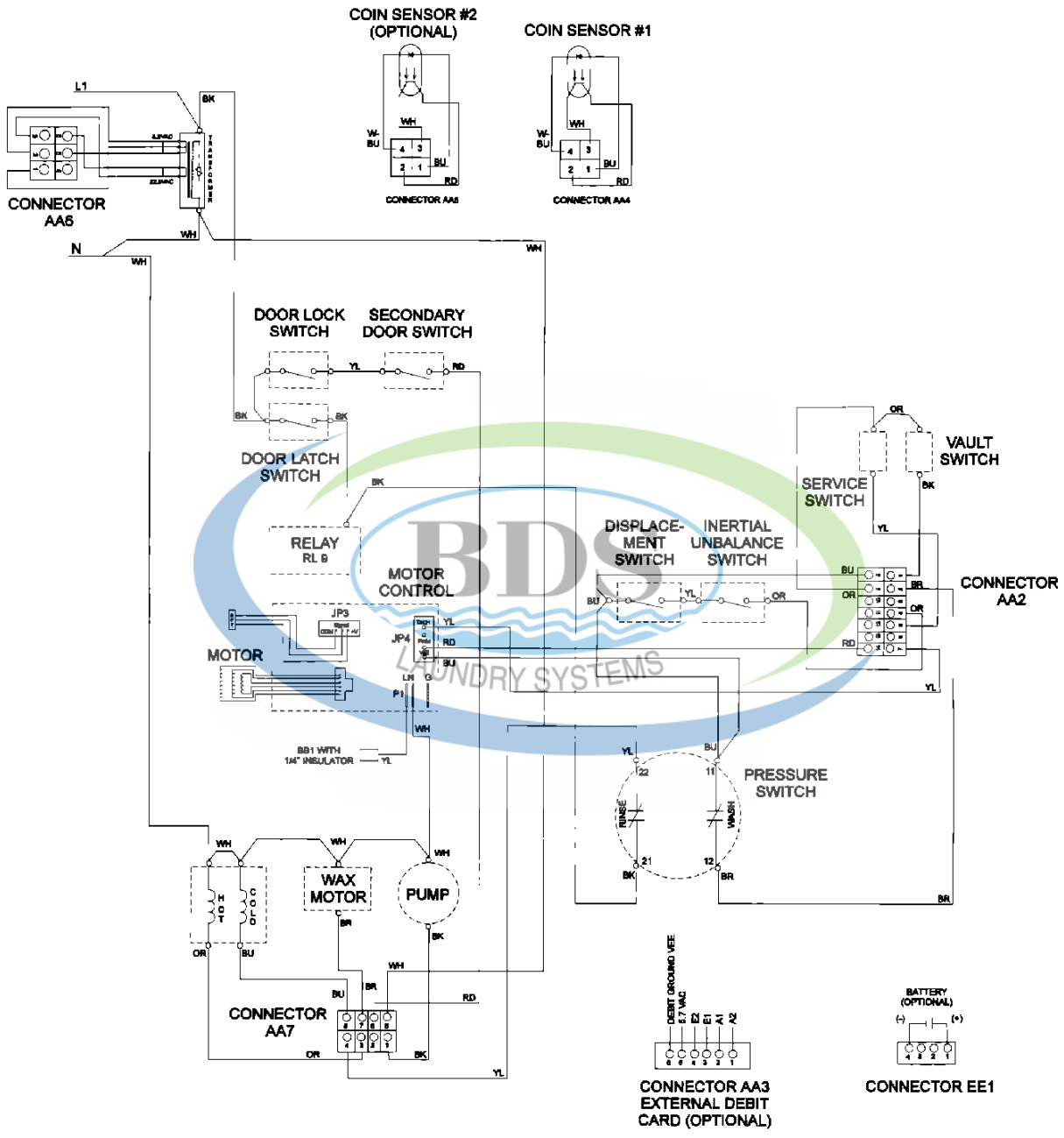
Ref #	Part Number	Qty.	Description
1	12002022	1	LIP SEAL SVC ASSY.
2	22002099	1	SPRING, TUB
3	W10181639	1	SUPPORT ASSY., SPINNER
3	22002123	1	TUBE, MOLYKOTE
3	W10181639	1	SUPPORT ASSY., SPINNER
4	22002023	3	WASHER, PLASTIC
5	6-2717080	1	SPINNER ASSY. (W/BALANCE RING)
6	22002482	3	WASHER, PROFILE
7	22002020	3	WASHER, SPINNER SUPPORT
8	2207454	3	NUT, SPINNER ATTACHMENT
9	22001985	3	BAFFLE, DRIP (REAR)
10	22002009	3	GROMMET, BAFFLE (REAR)
11	22001999	3	GROMMET, BAFFLE (FRT)
12	22003556	6	SCREW, BAFFLE (REAR)
13	22001986	3	BAFFLE, DRIP (FRONT)
14	22002059	6	SCREW, BAFFLE (FRONT)
15	NLA		PART NEVER USED IN PRODUCTION
15	NLA	3	SCREW, BALANCE RING
16	22002077	1	SEAL, TUB COVER
17	22002050	13	CLIP, TUB TO COVER
18	22004464	1	COVER, TUB (W/SEAL)
18	22003212	1	COVER, TUB (W/SEAL)
18	22003074	1	GUARD, HOSE
18	22003212	1	COVER, TUB (W/SEAL) (ASP)--W
19	12002533	1	KIT, DOOR BOOT W/DRAIN
19	12002533	1	BOOT, DOOR
20	22002327	1	WIRE, BOOT CLAMP
21	22003074	1	GUARD, HOSE
22	596669	1	CLAMP, HOSE DOUBLE WIRE
23	22004477	1	DOOR BOOT DRAIN HOSE
24	22003072	1	CLAMP, HOSE DOUBLE WIRE





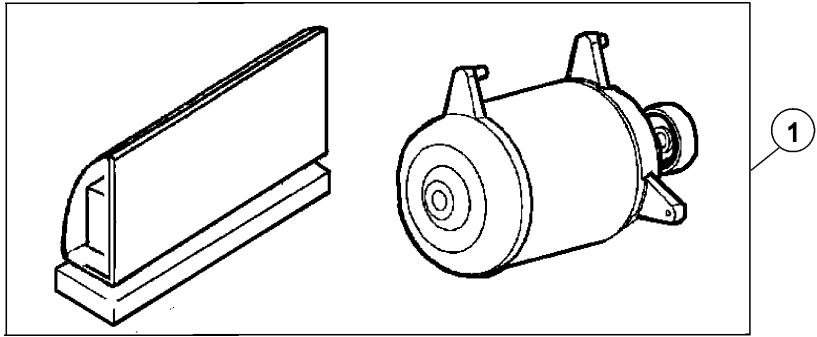
Ref #	Part Number	Qty.	Description
1	22003435	1	BASE
1		1	BASE, ASSEMBLY
1		1	BASE WELD ASSEMBLY
2	22003298	5	RETAINER, WIRE
3	90767	1	SCREW, WIRE HARNESS CLIP
4	308605	1	CLIP, WIRE HARNESS
5	22003635	1	PUMP
6	8563585	4	ADJUSTABLE LEG W/FOOT & NUT
7	Y052740	4	NUT, LEG
8	210684	4	FOOT, RUBBER
9	22001988	2	STRUT ASSY-REAR



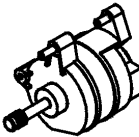

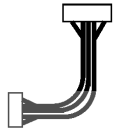
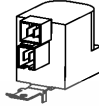
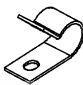





Ref #	Part Number	Qty.	Description
1	NLA	1	WIRING INFORMATION

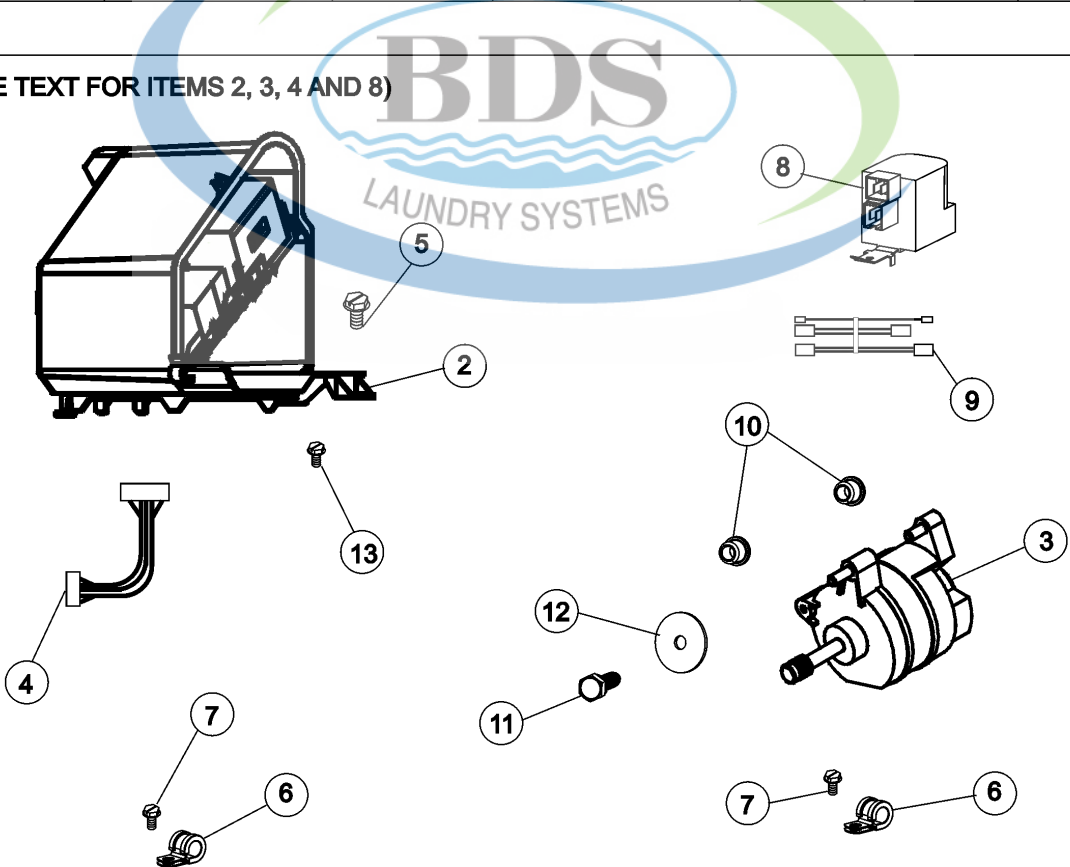




ITEM 1  
KIT CONTAINS:

 <p><b>120002040</b> MOTOR W/ISOLATORS</p>	 <p><b>22004046</b> MOTOR CONTROL BOARD</p>	 <p><b>22004047</b> MOTOR HARNESS</p>	 <p><b>22003854</b> AC LINE FILTER</p>	 <p><b>22004102</b> "P" CLIPS (2)</p>	 <p><b>22002300</b> SCREW "P" CLIPS TO MOTOR</p>	 <p><b>22004101</b> LOWER JUMPER WIRE HARNESS</p>	 <p><b>22004103</b> SCREW GROUND</p>
-------------------------------------------------------------------------------------------------------------------------------------	--------------------------------------------------------------------------------------------------------------------------------------	--------------------------------------------------------------------------------------------------------------------------------	---------------------------------------------------------------------------------------------------------------------------------	--------------------------------------------------------------------------------------------------------------------------------	-------------------------------------------------------------------------------------------------------------------------------------------------	--------------------------------------------------------------------------------------------------------------------------------------------------	---------------------------------------------------------------------------------------------------------------------------------

(SEE TEXT FOR ITEMS 2, 3, 4 AND 8)



Ref #	Part Number	Qty.	Description
1	12002039	1	NEPTUNE MOTOR CONVERSION KIT
2	22004046	1	CONTROL ASSY., MOTOR
3	22003856	1	MOTOR, VARIABLE SPEED
4	22004212	1	HARNESS, MOTOR/MOTOR CONTROL
5	1163839	2	SCREW (No.10-3/8``)
6	22004102	2	P CLIPS
7	970848	2	SCREW
8	22003858	1	EMI SUPPRESSION FILTER, 12A
9	22004101	1	REPAIR JUMPER HARNESS
10	22003329	2	ISOLATOR, MOTOR
11	22003686	1	BOLT, MOTOR
12		1	WASHER, STRUT
13		1	SCREW

