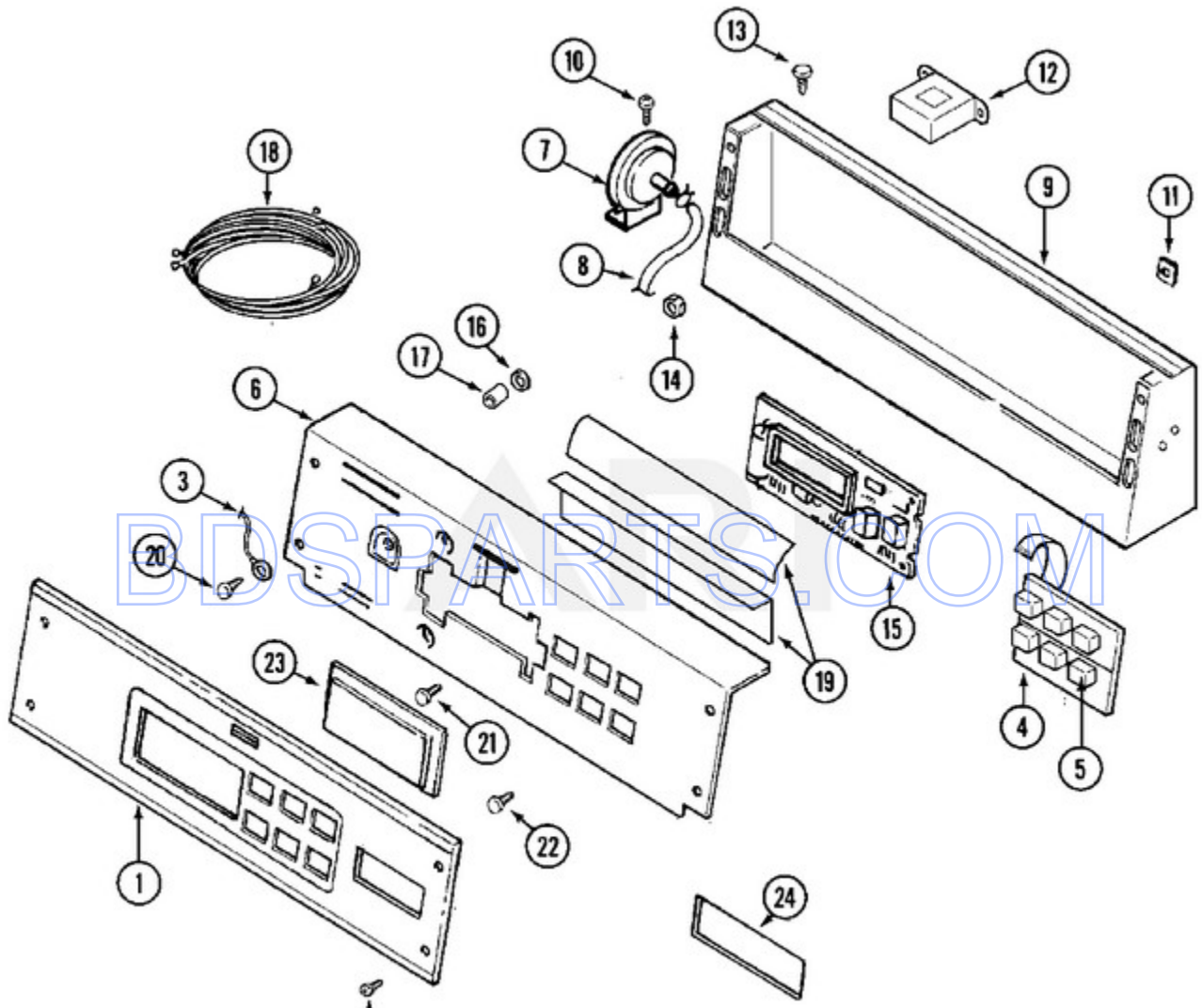
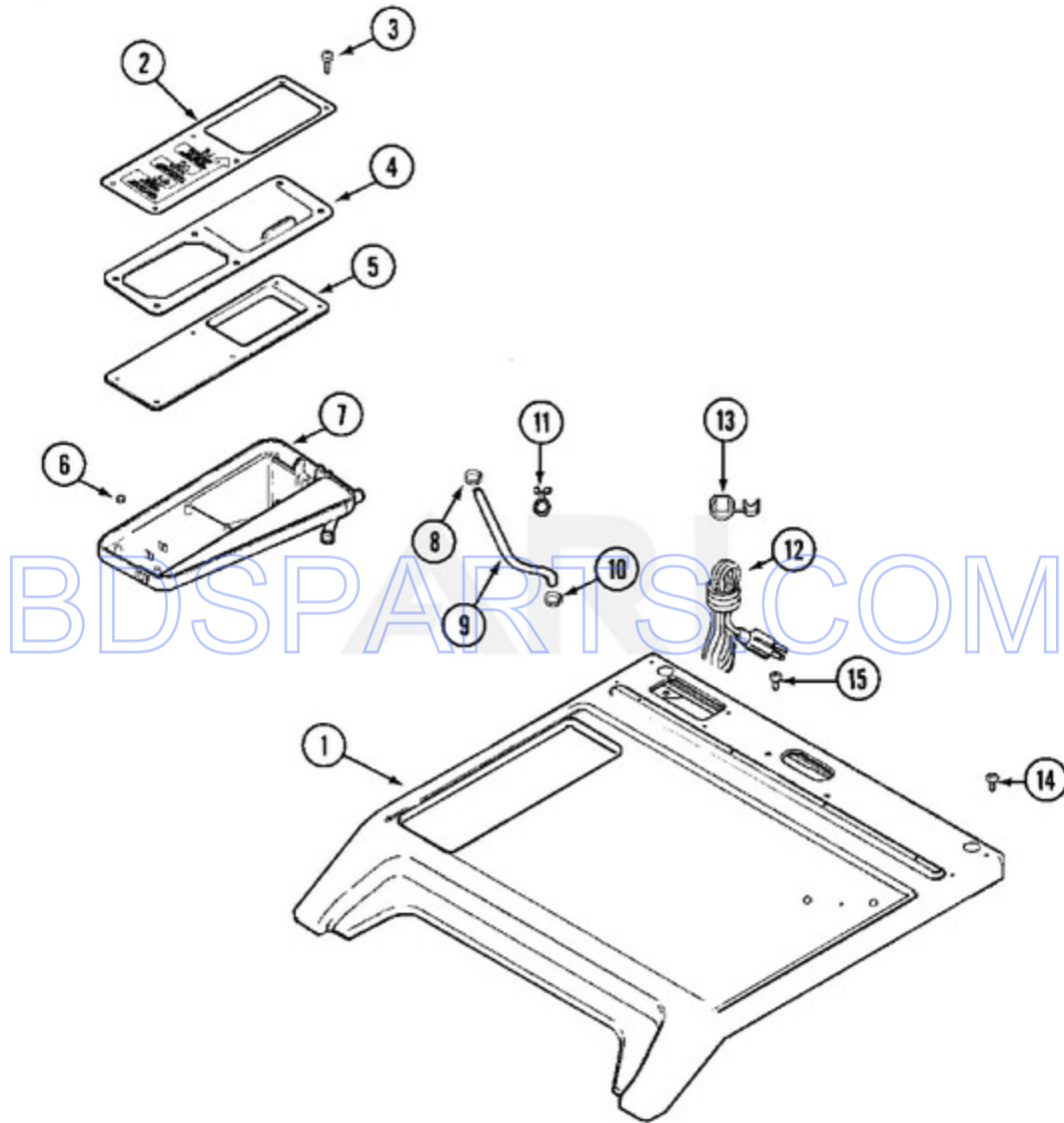


MAH14PRAWW - 01 - CONTROL PANEL



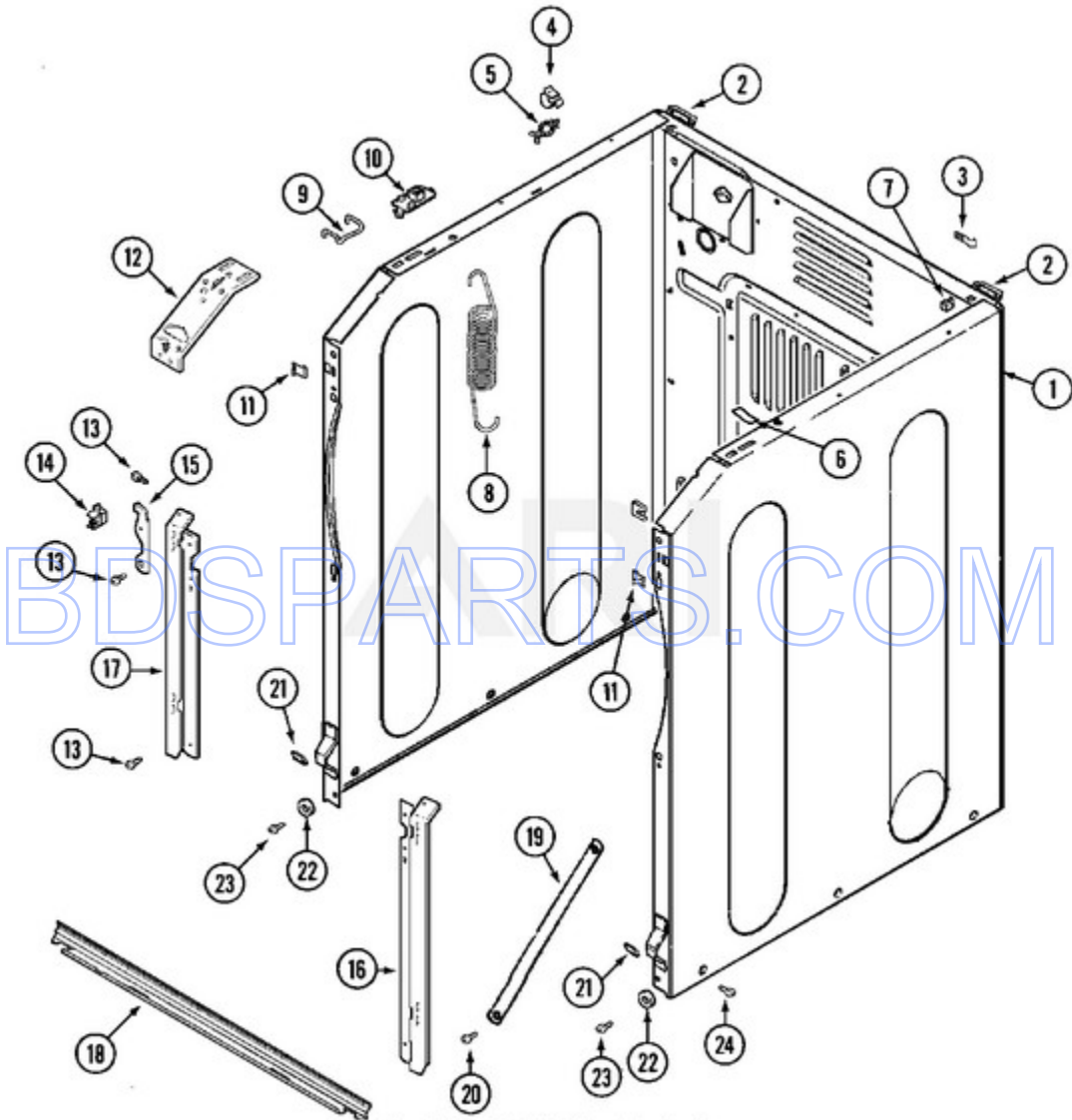
Ref #	Part #	Description	Qty	Context Note	MSRP
1	22002352	PANEL, CONTROL (WHT)	1	Series 10	
2	215506	SCREW, CONTROL PANEL	4	Series 10	
3	205810	WIRE, GROUND	1	Series 10	
4	206808	CONTROL SWITCH ASSEMBLY	1	Series 10	
4	215527	SCREW, CONTROL SWITCH	2	Series 10	
5	215517	PUSHBUTTON, CONTROL SWITCH	2	Series 10	
6	22002347	BRACKET, SWITCH & BACK	1	Series 10	
6	22002354	SCREW, BRACKET	3	Series 10	
7	22002048	SWITCH, PRESSURE	1	Series 10	
7	22002994	SWITCH, PRESSURE	1	Series 44	
8	22002010	HOSE, PRESSURE SWITCH	1	Series 10	
8	NLA	CLIP, PRESSURE SWITCH HOSE	1	Series 10	
9	33001957	CONSOLE (WHT)	1	Series 10	
10	22001996	SCREW, CONSOLE	5	Series 10	
11	215003	FASTENER, SCREW	2	Series 10	
12	22001960	TRANSFORMER	1	Series 10	
13	211251	SCREW, TRANSFORMER	2	Series 10	
14	22001419	NUT, TRANSFORMER	2	Series 10	
15	22002332	BOARD, CONTROL WASHER	1	Series 10	
16	912077	LOCKNUT, CONTROL BOARD	6	Series 10	
17	33001204	STANDOFF, CIRCUIT BOARD	4	Series 10	
18	22002351	WIRE HARNESS, MAIN	1	Series 10	
18	22002404	WIRE HARNESS, MAIN	1	Series 25	
18	NLA	WIRE HARNESS, MAIN----NA	1	Series 30	
19	22001511	DEFLECTOR, WATER (W/ADHESIVE)	2	Series 10	
20	211252	SCREW, GROUND WIRE	1	Series 10	
21	215526	SCREW, CIRCUIT BOARD	2	Series 10	
22	215527	SCREW, BACK BRACKET	2	Series 10	
23	22001962	COVER, DISPLAY	1	Series 10	
23	22001973	HARNESS, PR SERVICE	1	Series 10	
24	22001976	BEZEL	1	Series 10	
25	22002155	HARNESS KIT, READER (12``)	1	Series 10	

MAH14PRAWW - 02 - TOP



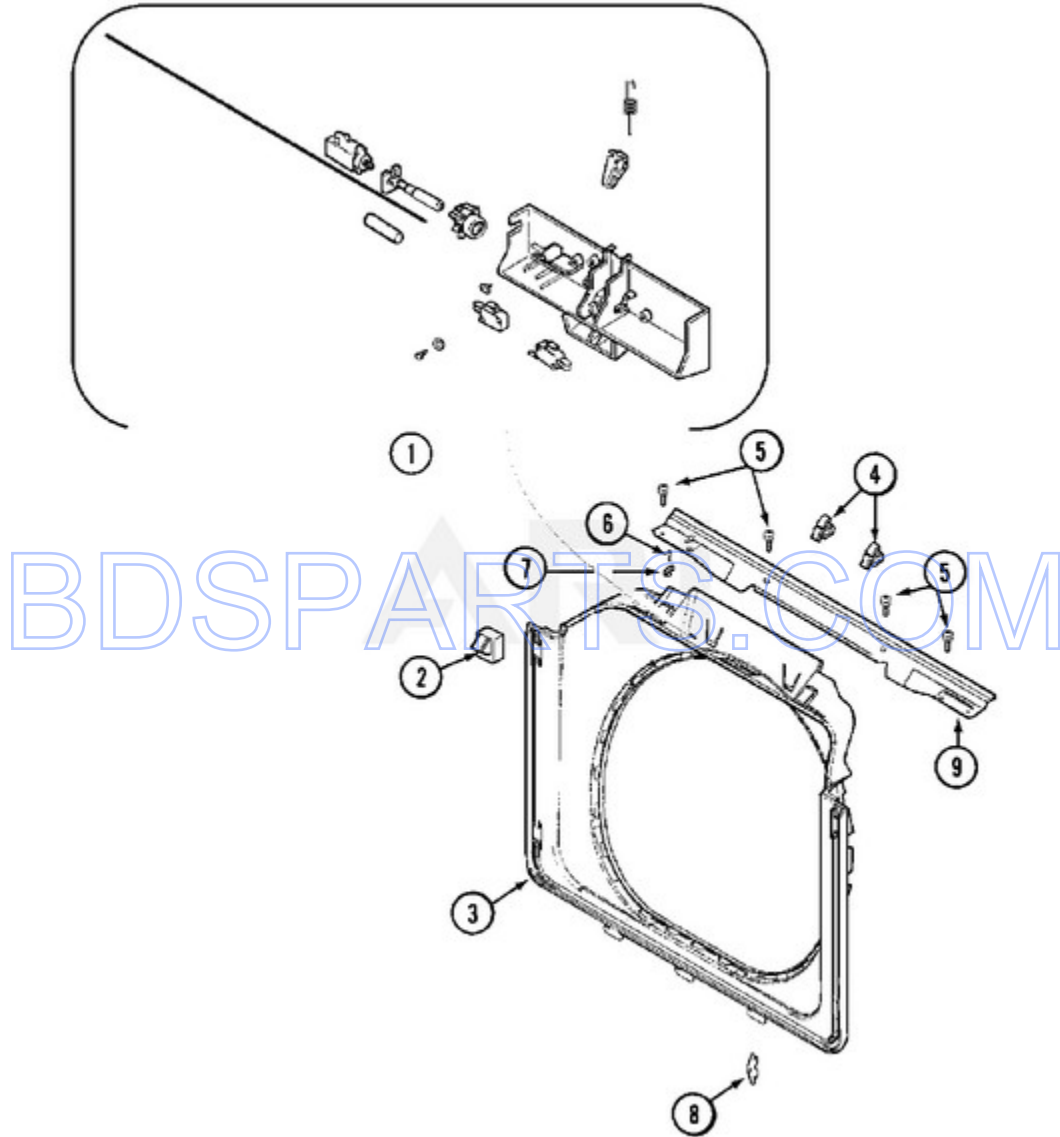
Ref #	Part #	Description	Qty	Context	Note	MSRP
1	22002116	COVER, TOP (WHT)	1	Series	10	
2	22002032	COVER, COMM. DISPENSER (WHT)	1	Series	10	
3	22002230	SCREW, DISPENSER	6	Series	10	
3	22002350	WASHER, DISPENSER SCREW	6	Series	10	
4	22002091	LID, COMMERCIAL DISPENSER	1	Series	10	
5	22002074	BEZEL, COMMERCIAL	1	Series	10	
6	22002031	PALNUT	3	Series	10	
7	22002075	DISPENSER BOTTOM, COMMERCIAL	1	Series	10	
8	22002054	CLAMP, STEPLESS	1	Series	10	
9	22002084	HOSE, SHOWER	1	Series	10	
10	201011	CLAMP, HOSE	1	Series	10	
11	212276	SCREW, WIRE TIE	1	Series	10	
11	22002027	WIRE TIE, SHOWER HOSE	2	Series	10	
12	22001178	CORD, POWER	1	Series	10	
13	211881	GROMMET, CORD	1	Series	10	
14	912365	SCREW, POWER CORD	1	Series	10	
15	210186	SCREW, GROUND WIRE	1	Series	10	

MAH14PRAWW - 03 - CABINET-FRONT



Ref #	Part #	Description	Qty	Context Note	MSRP
1	22002245	(CABINET ONLY)			
1	NLA	CABINET (WHT)	1	Series 10	
2	NLA	BRACKET, CABINET HINGE	2	Series 10	
3	22001996	SCREW, BRACKET	2	Series 10	
3	22002178	BRACKET, AIR DOME HOSE	2	Series 10	
3	NLA	TIE, WIRE	1	Series 10	
4	Y310376	CLIP, WIRE HARNESS	1	Series 10	
5	315471	RETAINER, WIRE	2	Series 10	
6	33001836	STRAP, TOP COVER SUPPORT	1	Series 10	
7	310933	FASTENER	2	Series 10	
8	22002100	SPRING	1	Series 10	
9	22002098	SUPPORT, SPRING	2	Series 10	
10	22001997	SPACER, TOP COVER	2	Series 10	
11	22002049	CLIP, FRONT PANEL	2	Series 10	
12	22002090	BRACE, CORNER	2	Series 10	
13	22001995	SCREW, SHROUD SUPPORT	8	Series 10	
14	22002001	SUPPORT, HINGE	4	Series 10	
15	22002247	HOOK, SECURITY	2	Series 10	
16	22002034	BRACKET, SHROUD SUPPORT (RT)	1	Series 10	
17	22002035	BRACKET, SHROUD SUPPORT (LT)	1	Series 10	
18	22001993	BRIDGE, SHROUD SUPPORT	1	Series 10	
19	22002259	BRACE, CROSS	2	Series 10	
20	22001995	SCREW, CROSS BRACE	2	Series 10	
21	22002239	CLIP, LOWER FRONT PANEL	2	Series 10	
22	22002025	DISC, FRONT PANEL SPACER	2	Series 10	
23	22001995	SCREW, FRONT CABINET	2	Series 10	
24	213007	SCREW, CABINET	6	Series 10	

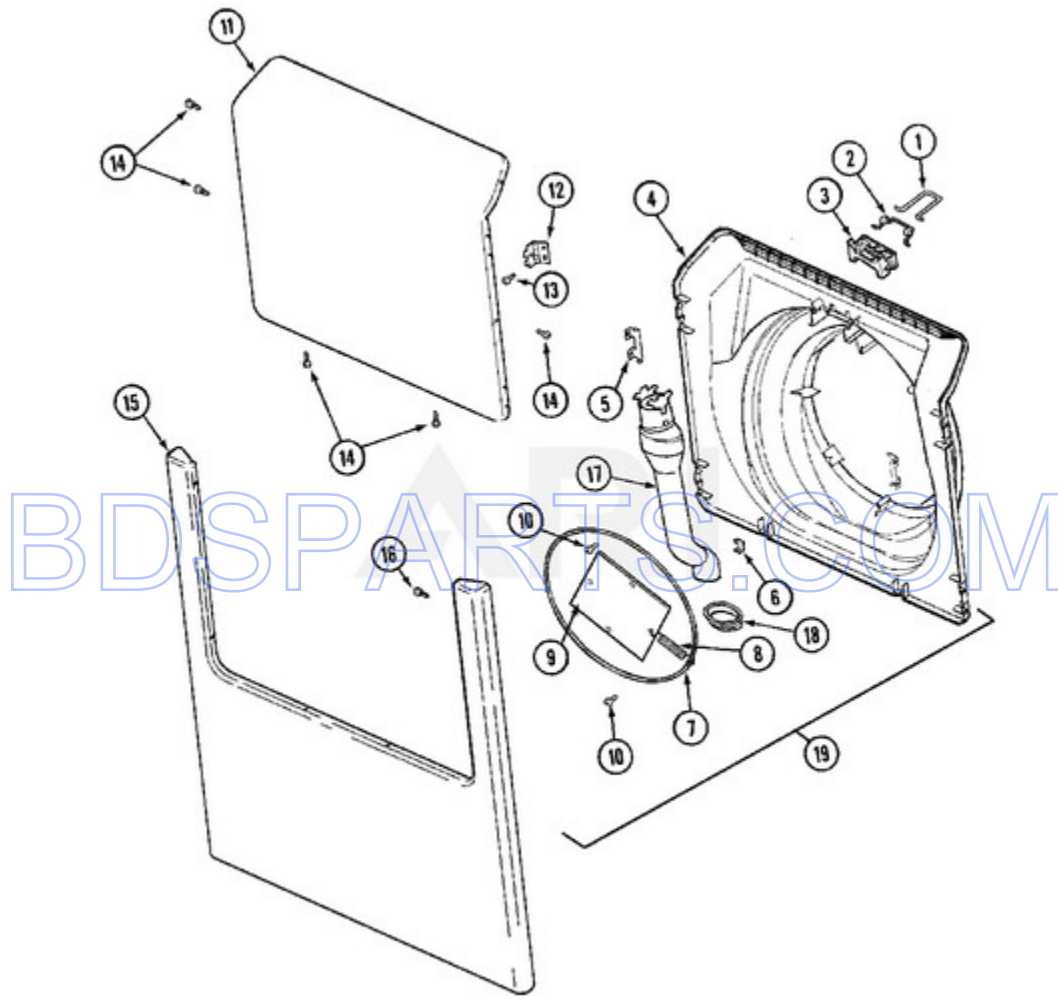
MAH14PRAWW - 04 - DOOR SHROUD & DOOR LATCH ASSEMBLY



Ref #	Part #	Description	Qty	Context Note	MSRP
1	22002957	COVER, LATCH ASSEMBLY (LWR)	1	Series 10	
1	NLA	DOOR, LOCK HOOP ASSEMBLY	1	Series 10	
2	22002046	SWITCH, SECONDARY DOOR (WHT)	1	Series 10	
3	22002234	SHROUD (WHT)	1	Series 10	
4	Y310376	CLIP, WIRE HARNESS	2	Series 10	
5	22001995	SCREW, DOOR LOCK SUPPORT	4	Series 10	
6	22001996	SCREW, WIRE HARNESS CLIP	1	Series 10	
7	22002014	CLIP, WIRE HARNESS	1	Series 10	
8	22002095	COVER, HINGE (WHT)	2	Series 10	
9	22002015	SUPPORT, DOOR LOCK	1	Series 10	

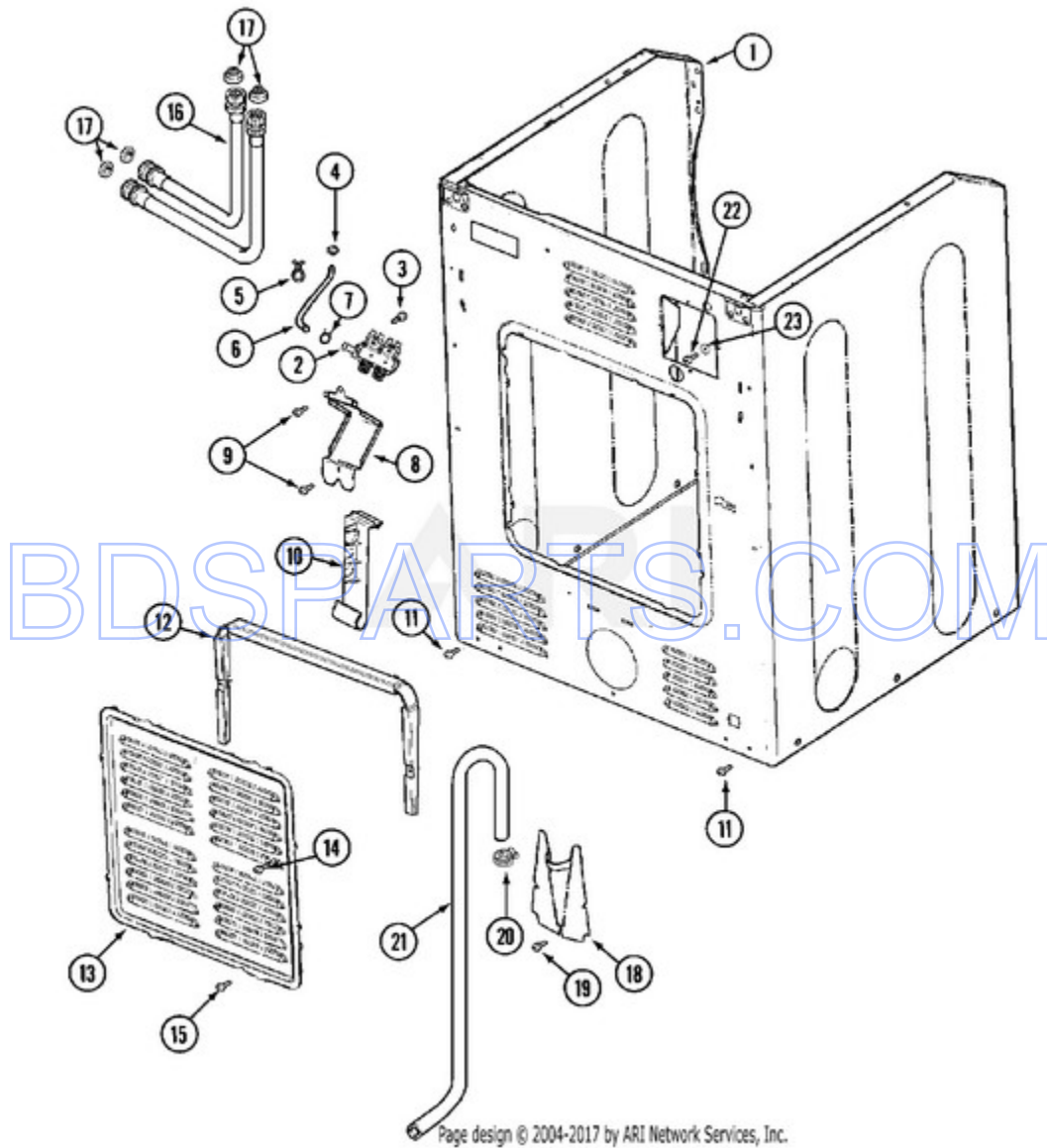
BDSPARTS.COM

MAH14PRAWW - 05 - DOOR & FRONT PANEL



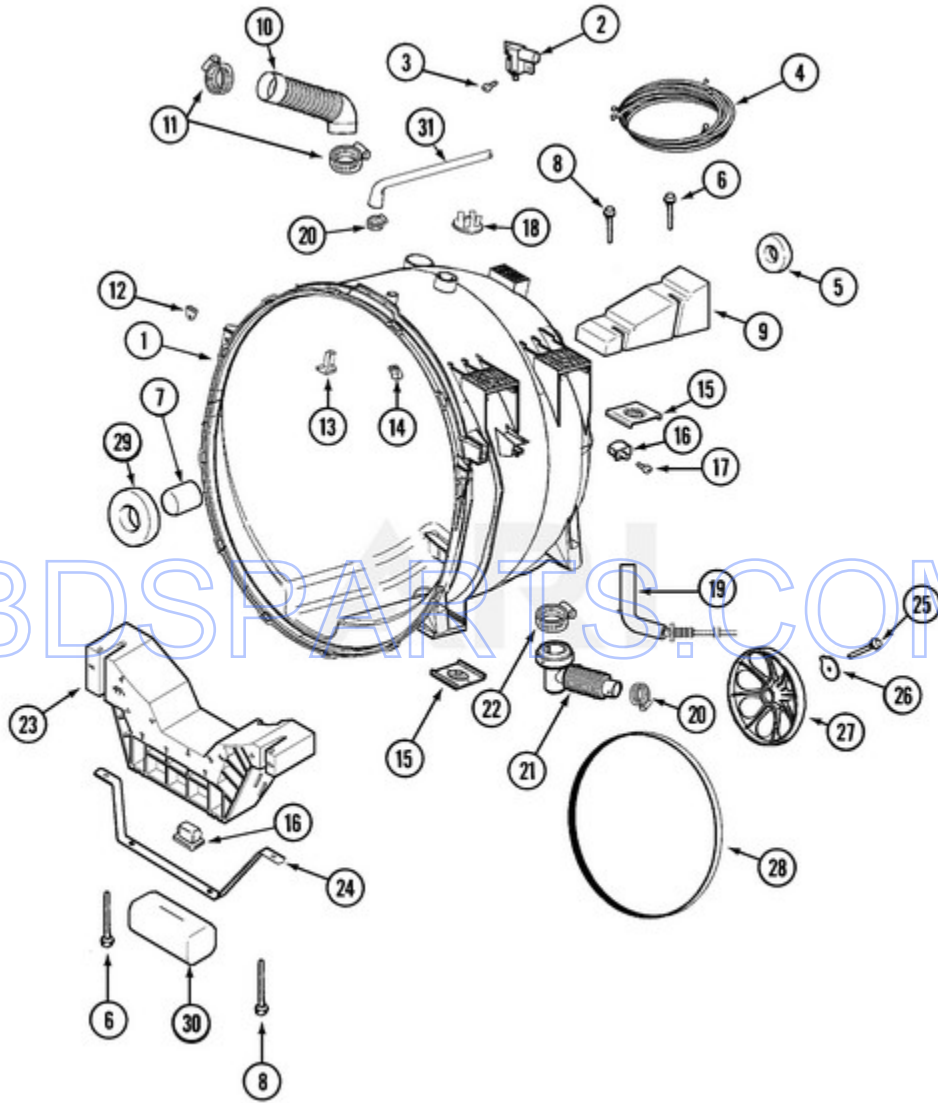
Ref #	Part #	Description	Qty	Context	Note	MSRP
1	22002002	HOOP, LOCK	1	Series	10	
2	22002003	SPRING, LATCH	1	Series	10	
3	22002168	SUPPORT, LOCK HOOP	1	Series	10	
4	22002355	DOOR, INNER (WHT)	1	Series	10	
4	22002539	DOOR, INNER (W/VENT-WHT)	1	Series	31	
4	22003076	DOOR, INNER (WHT)	1	Series	50	
5	22002038	CLIP, DOOR (DOUBLE)	4	Series	10	
6	22002039	CLIP, DOOR (SINGLE)	2	Series	10	
7	22002104	FRAME, WIRE	1	Series	10	
8	22002356	SPRING, PLATE	4	Series	10	
9	22002094	PLATE	1	Series	10	
10	22002007	SCREW, WIRE FRAME	2	Series	10	
11	22001979	DOOR, OUTER (WHT-W/DAMPER)	1	Series	10	
12	22002000	HINGE, DOOR----SUB	2	Series	10	
13	22002062	SCREW, HINGE	4	Series	10	
14	22002063	SCREW No.8-18AB WAFER HD.	1	Series	10	
15	22002049	CLIP, FRONT PANEL	2	Series	10	
15	22002241	PANEL, FRONT (WHT)	1	Series	10	
16	22002243	SCREW, FRONT PANEL	2	Series	10	
16	22002244	CLIP, GROUNDING	1	Series	10	
17	22002990	VENT TUBE ASSEMBLY	1	Series	50	
18	22003075	GROMMET, VENT TUBE	1	Series	50	
19	22003083	LINER, DOOR ASSY W/VENT (WHT)	1	Series	50	

MAH14PRAWW - 06 - CABINET-REAR



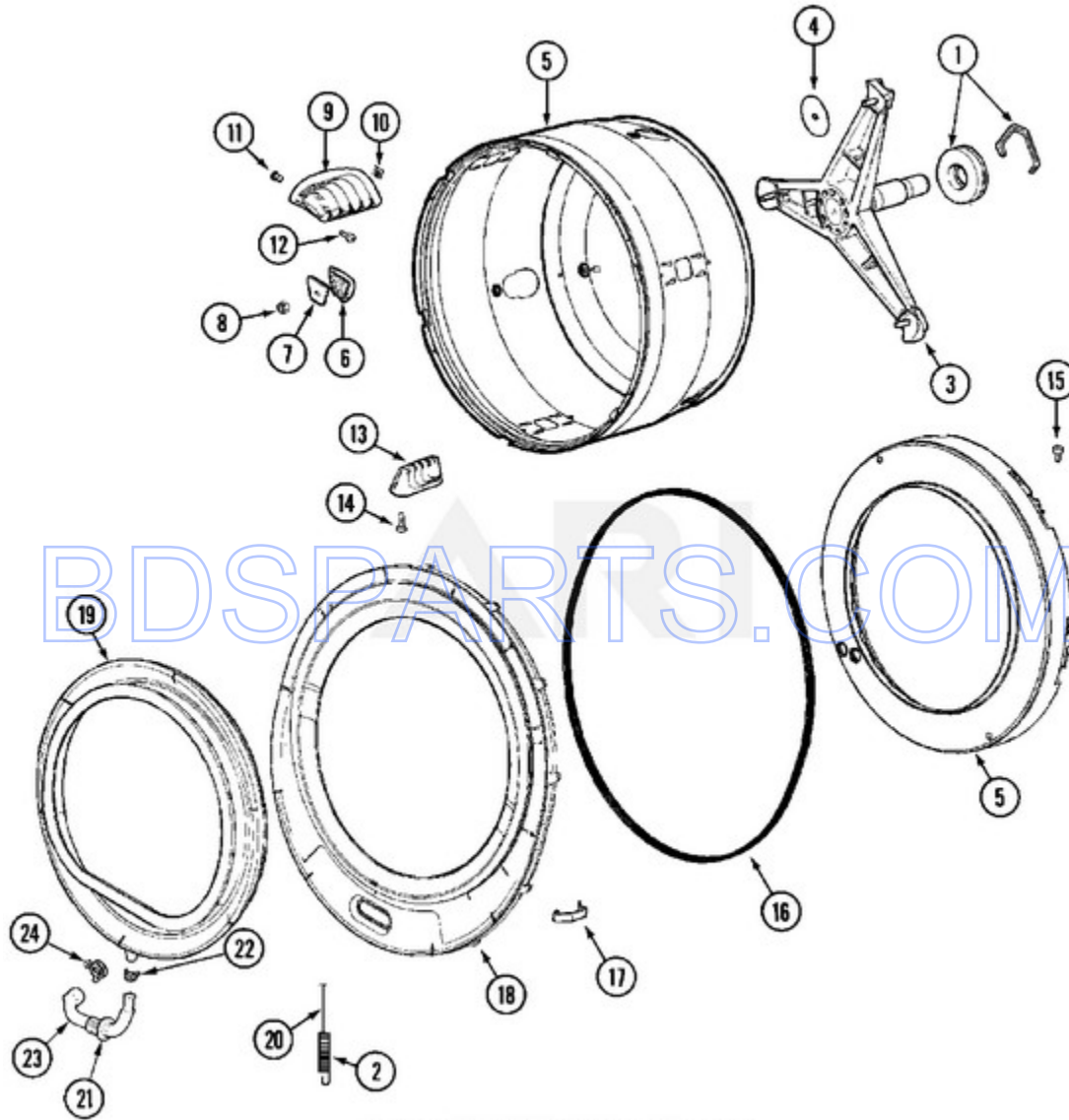
Ref #	Part #	Description	Qty	Context Note	MSRP
1	22002245	(CABINET ONLY)			
1	NLA	CABINET (WHT)	1	Series 10	
2	22002101	VALVE, WATER (TWO COIL)	1	Series 10	
3	Y313561	SCREW, WATER VALVE	2	Series 10	
4	22002054	CLAMP, STEPLESS	1	Series 10	
5	22002027	WIRE TIE, TWIST LOCK	2	Series 10	
6	22001987	HOSE, INJECTOR----NA	1	Series 10	
7	216169	CLAMP, INJECTOR HOSE	1	Series 10	
8	22002089	BRACKET, WATER VALVE	1	Series 10	
9	22001996	SCREW, WATER VALVE BRACKET	2	Series 10	
10	22002076	STRAP, DRAIN HOSE	1	Series 10	
11	22001995	SCREW, CABINET	2	Series 10	
12	22002022	SPACER, ACCESS PANEL	1	Series 10	
13	22002092	PANEL, ACCESS	1	Series 10	
14	213117	SCREW, ACCESS PANEL SPACER	2	Series 10	
15	22001996	SCREW, ACCESS PANEL	2	Series 10	
16	202860	INLET HOSE ASSEMBLY	2	Series 10	
17	Y013783	WASHER, INLET HOSE	4	Series 10	
18	22002093	COVER, DRAIN HOSE	1	Series 10	
19	22001995	SCREW, DRAIN HOSE COVER	1	Series 10	
20	22001984	CLAMP, DRAIN HOSE	2	Series 10	
21	12001659	DRAIN HOSE KIT (CORRUGATED) (INCLUDES THE FOLLOWING PARTS)	1	Series 38	
21	22002891	HOSE, DRAIN	1	Series 38	
21	22002892	RETAINER, DRAIN HOSE	1	Series 38	
21	22002893	TIE, CABLE	1	Series 38	
21	NLA	HOSE, DRAIN----N	1	Series 10	
22	NLA	SCREW, GROUND LUG	1	Series 10	
23	NLA	WASHER, GROUND LUG	1	Series 10	

MAH14PRAWW - 07 - OUTER TUB



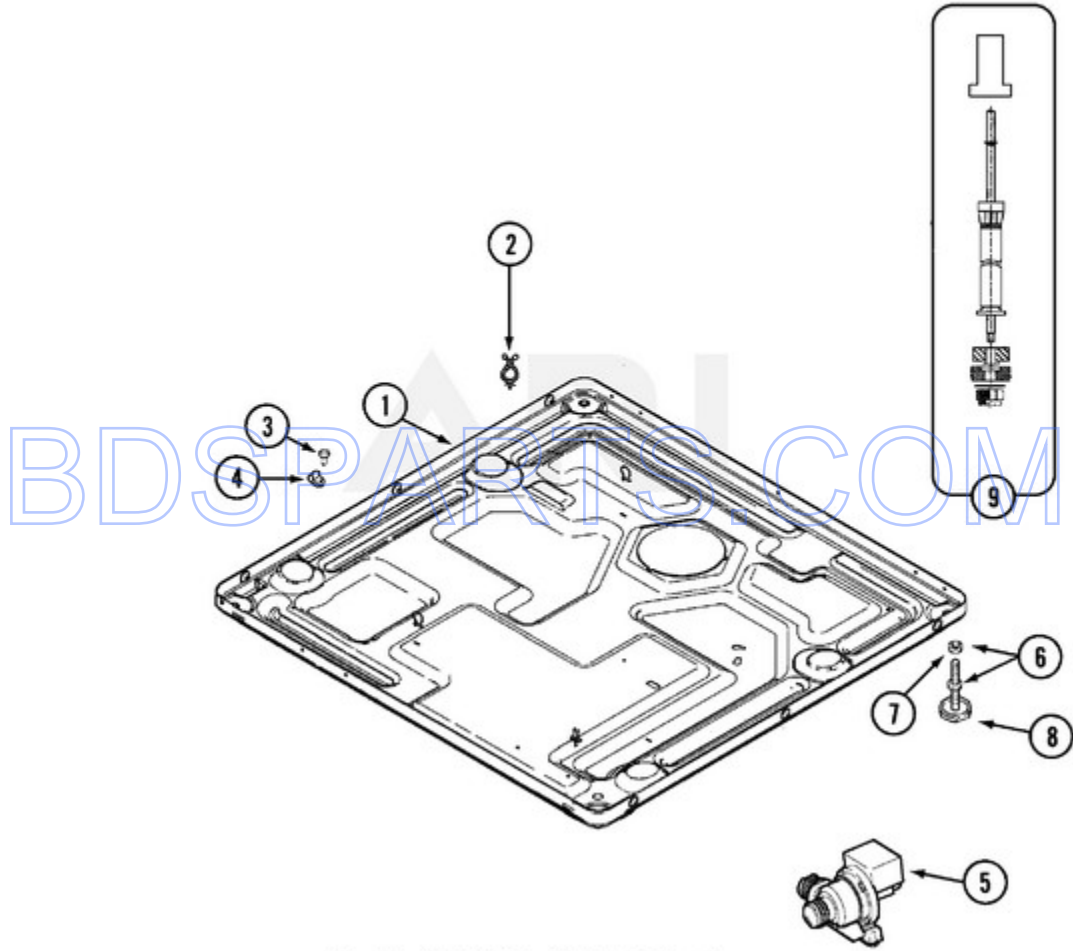
Ref #	Part #	Description	Qty	Context Note	MSRP
1	22002154	TUB ASSY. (OUTER)	1	Series 10	
2	22002045	SWITCH, INERTIAL - UNBALANCE	1	Series 10	
3	912615	SCREW, INERTIAL SWITCH	2	Series 10	
4	22002545	WIRE HARNESS, DISPLACEMENT	1	Series 25	
4	22002582	WIRE HARNESS, DISPLACEMENT	1	Series 10	
5	Y200720	BALL BEARING, RADIAL----S	1	Series 10	
6	22003615	BOLT, DOUBLE SEMS 5-3/8	2	Series 10	
7	22002935	SPACER, BEARING	1	Series 10	
8	22003616	BOLT, DOUBLE SEMS 3-3/8	2	Series 10	
9	22002102	WEIGHT, COUNTER BALANCE	1	Series 10	
10	22002083	HOSE, INJECTOR	1	Series 10	
11	22002052	CLAMP, INJECTOR HOSE	2	Series 10	
12	22002103	CLIP, U	2	Series 10	
13	22002004	DEFLECTOR, WATER	1	Series 10	
13	22002959	DEFLECTOR, WATER	1	Series 42	
14	22002006	CLIP, WIRE HARNESS & OUTER TUB	1	Series 10	
14	22002061	SCREW	1	Series 10	
15	22002065	NUT, COUNTER BALANCE	4	Series 10	
16	22002044	SWITCH, TUB DISPLACEMENT	2	Series 10	
16	33002215	BRACKET, UNBALANCE SWITCH	1	Series 10	
17	22002061	SCREW, DISPLACEMENT SWITCH	2	Series 10	
18	202515	CLAMP, HOSE	1	Series 10	
19	22002010	HOSE, AIR DOME	1	Series 10	
20	22001984	CLAMP, DRAIN HOSE	1	Series 10	
21	22002081	HOSE, TUB OUTLET	1	Series 10	
22	22002053	CLAMP, SUMP HOSE	1	Series 10	
23	22002302	WEIGHT ASSEMBLY (FRT)	1	Series 10	
24	22002008	STRAP	1	Series 10	
25	22002057	SCREW, SPINNER	1	Series 10	
26	22002055	WASHER, SPINNER SHAFT	1	Series 10	
27	22001998	PULLEY, SPINNER	1	Series 10	
28	12001435	BELT KIT, DRIVE	1	Series 10	
29	22002934	BEARING, FRONT	1	Series 10	
30	22002011	CUSHION	1	Series 10	

MAH14PRAWW - 08 - SPINNER ASSEMBLY & OUTER TUB COVER



Ref #	Part #	Description	Qty	Context Note	MSRP
1	12001478	LIP SEAL SVC ASSY.	1	Series 10	
2	22002099	SPRING, TUB	1	Series 10	
3	22001994	SUPPORT ASSY., SPINNER	1	Series 10	
3	22002123	TUBE, MOLYKOTE	1	Series 10	
3	22002897	SUPPORT ASSY., SPINNER	1	Series 40	
4	22002023	WASHER, PLASTIC	3	Series 10	
5	22002115	SPINNER ASSY. (W/BALANCE RING)	1	Series 10	
5	22002122	NUT, BALANCE RING/SPINNER	3	Series 10	
6	22002021	WASHER, PROFILE	3	Series 10	
7	22002020	WASHER, SPINNER SUPPORT	3	Series 10	
8	22002122	NUT, SPINNER ATTACHMENT	3	Series 10	
9	22001985	BAFFLE, DRIP (REAR)	3	Series 10	
10	22002009	GROMMET, BAFFLE (REAR)	3	Series 10	
11	22001999	GROMMET, BAFFLE (FRT)	3	Series 10	
12	22002325	SCREW, BAFFLE (REAR)	6	Series 10	
13	22001986	BAFFLE, DRIP (FRONT)	3	Series 10	
14	22002059	SCREW, BAFFLE (FRONT)	6	Series 10	
15	22002028	PART NEVER USED IN PRODUCTION			
15	NLA	SCREW, BALANCE RING	3	Series 10	
16	22002077	SEAL, TUB COVER	1	Series 10	
17	22002050	CLIP, TUB TO COVER	13	Series 10	
18	22002238	COVER, TUB (W/SEAL)	1	Series 10	
18	22002961	COVER, TUB (W/SEAL) (ASP)	1	Series 42	
19	22001978	BOOT, DOOR	1	Series 10	
20	22002105	WIRE, BOOT CLAMP	1	Series 10	

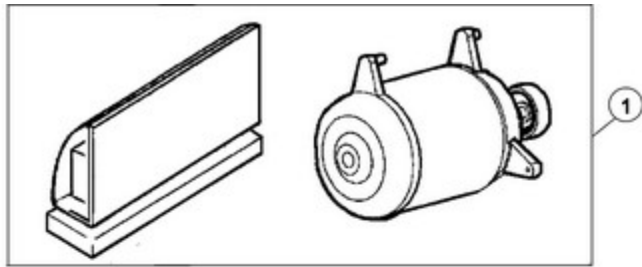
MAH14PRAWW - 09 - BASE









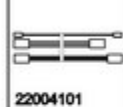

Ref #	Part #	Description	Qty	Context Note	MSRP
1	22002240	BASE	1	Series 10	
2	315471	RETAINER, WIRE	5	Series 10	
3	212276	SCREW, WIRE HARNESS CLIP	1	Series 10	
4	22002014	CLIP, WIRE HARNESS	1	Series 10	
5	22001982	PUMP	1	Series 10	
5	22002939	PUMP, DRAIN (80 WATT)	1	Series 10	
6	22001915	ADJUSTABLE LEG & NUT	4	Series 10	
7	Y052740	NUT, LEG	4	Series 10	
8	210684	FOOT, RUBBER	4	Series 10	
9	22001988	STRUT ASSY-REAR	2	Series 10	

BDSPARTS.COM

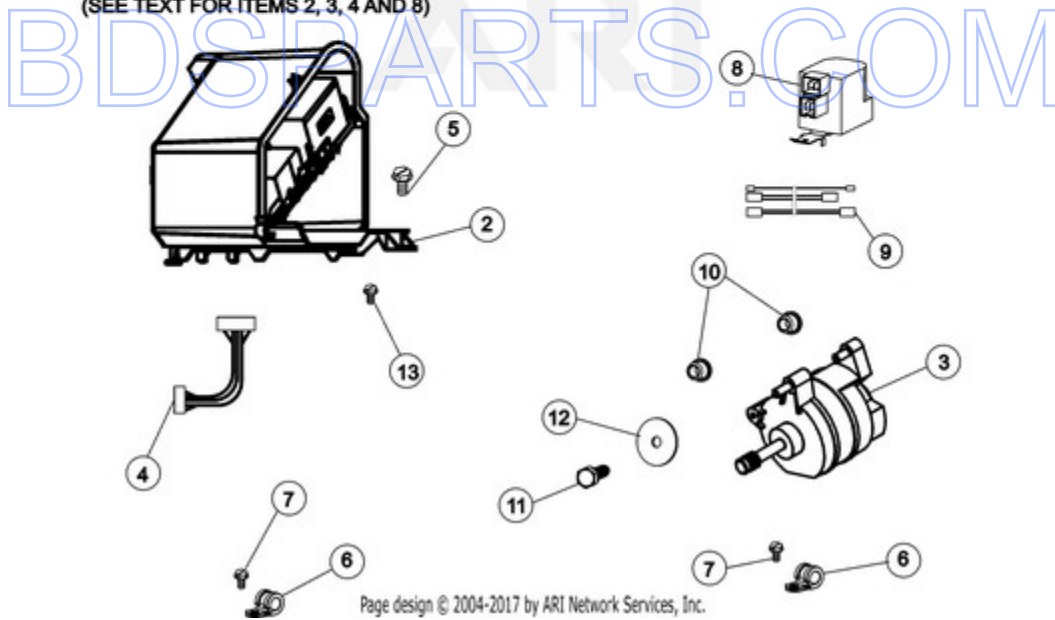
MAH14PRAWW - 11 - MOTOR & MOTOR CONTROL



ITEM 1
KIT CONTAINS:

							
120002040 MOTOR W/ISOLATORS	22004046 MOTOR CONTROL BOARD	22004047 MOTOR HARNESS	22003854 AC LINE FILTER	22004102 T" CLIPS (2)	22002300 SCREW T" CLIPS TO MOTOR	22004101 LOWER JUMPER WIRE HARNESS	22004103 SCREW GROUND

(SEE TEXT FOR ITEMS 2, 3, 4 AND 8)



Ref #	Part #	Description	Qty	Context	Note	MSRP
1	12002039	NEPTUNE MOTOR CONVERSION KIT	1	Series	10	
2	22004046	CONTROL ASSY., MOTOR	1	Series	10	
3	22003856	MOTOR, VARIABLE SPEED	1	Series	10	
4	22004047	HARNESS, MOTOR/MOTOR CONTROL	1	Series	10	
5	33002190	SCREW (No.10-3/8`)	2	Series	10	
6	22004102	P CLIPS	2	Series	10	
7	22002300	SCREW	2	Series	10	
8	22003854	EMI SUPPRESSION FILTER, 12A	1	Series	10	
9	22004101	REPAIR JUMPER HARNESS	1	Series	10	
10	22003329	ISOLATOR, MOTOR	2	Series	10	
11	22003686	BOLT, MOTOR	1	Series	10	
12	22002320	WASHER, STRUT	1	Series	10	
13	22004103	SCREW	1	Series	10	

BDSPARTS.COM