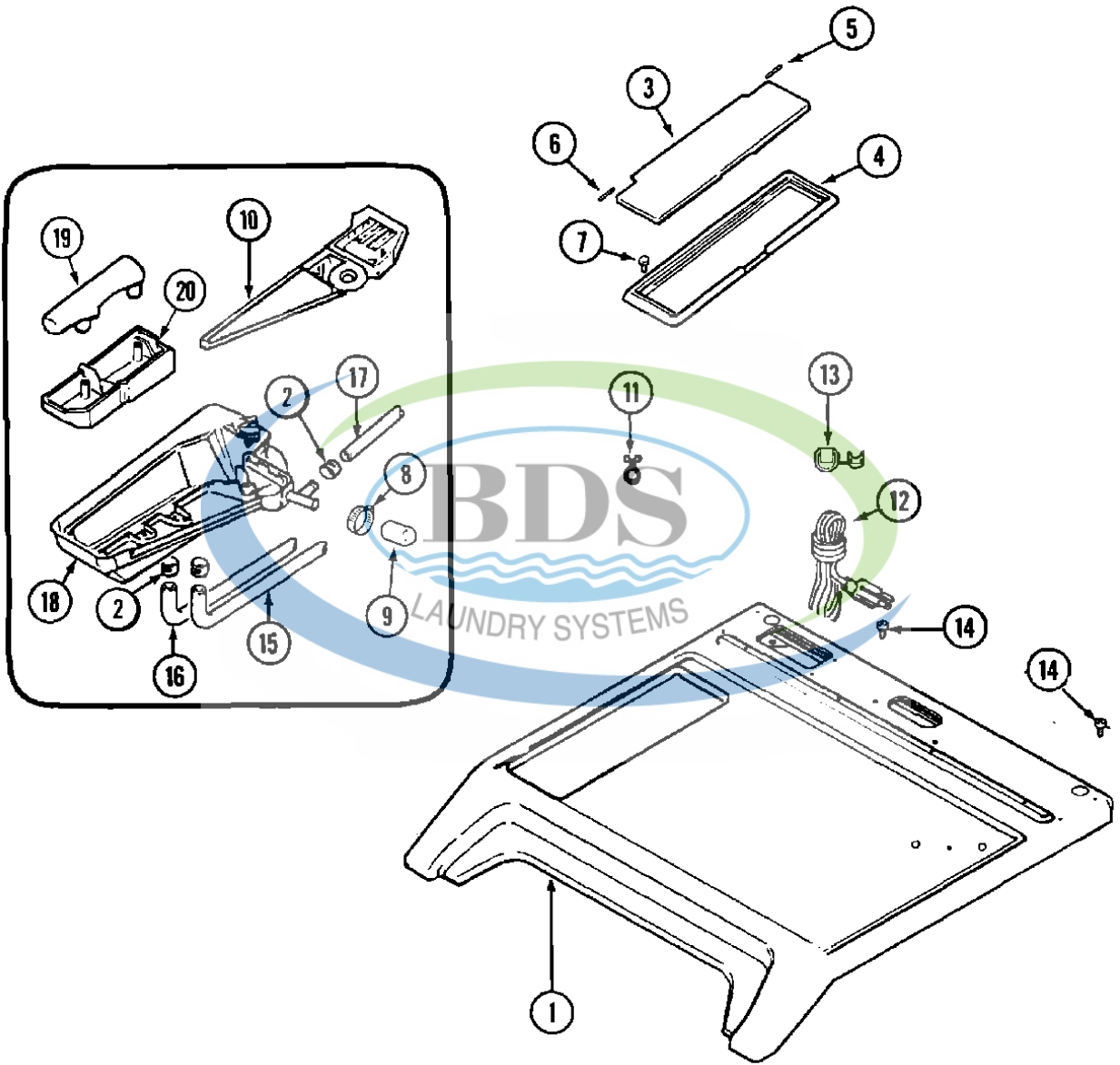


| Ref # | Part Number | Qty. | Description |
|-------|-------------|------|-------------------------------|
| 1 | 22004349 | 1 | PANEL, CONTROL |
| 2 | W10131119 | 4 | SCREW, CONTROL PANEL |
| 3 | NLA | 1 | WIRE, GROUND |
| 4 | W10135389 | 1 | CONTROL SWITCH ASSEMBLY |
| 4 | W10756178 | 2 | SCREW, CONTROL SWITCH |
| 5 | W10424308 | 2 | PUSHBUTTON, CONTROL SWITCH |
| 6 | NLA | 1 | SWITCH BRKT & BACK BRKT (WHT) |
| 6 | NLA | - | SWITCH BRKT & BACK BRKT (BSQ) |
| 6 | NLA | 1 | SWITCH & BACK BRKT ASY. (WHT) |
| 6 | NLA | - | SWITCH & BACK BRKT ASY. (BSQ) |
| 7 | 22002921 | 1 | SWITCH, PRESSURE |
| 7 | NLA | 1 | SWITCH, PRESSURE |
| 8 | 22002010 | 1 | HOSE, PRESSURE SWITCH |
| 9 | NLA | 1 | CONSOLE (WHT) |
| 9 | NLA | - | CONSOLE (BSQ) |
| 9 | NLA | - | CONSOLE (BSQ) |
| 9 | NLA | 1 | CONSOLE (WHT) |
| 10 | 3370225 | 5 | SCREW, CONSOLE |
| 11 | NLA | 2 | FASTENER, SCREW |
| 12 | 22001960 | 1 | TRANSFORMER |
| 13 | NLA | 2 | SCREW, TRANSFORMER |
| 14 | 74005230 | 2 | NUT, TRANSFORMER |
| 15 | 22004335 | 1 | BOARD, CONTROL |
| 16 | M0282005 | 6 | LOCKNUT, CONTROL BOARD |
| 17 | NLA | 4 | STANDOFF, CIRCUIT BOARD |
| 18 | NLA | 1 | HARNESS, WIRE |
| 19 | NLA | 2 | DEFLECTOR, WATER (W/ADHESIVE) |
| 20 | 211252 | 1 | SCREW, GROUND WIRE |
| 21 | NLA | 2 | SCREW, CIRCUIT BOARD |
| 22 | 215527 | 2 | SCREW, BACK BRACKET |
| 23 | W10131114 | 1 | COVER, DISPLAY |
| 24 | 22004172 | 1 | BOARD, RELAY (DRS) |
| 25 | NLA | 4 | STAND-OFF |



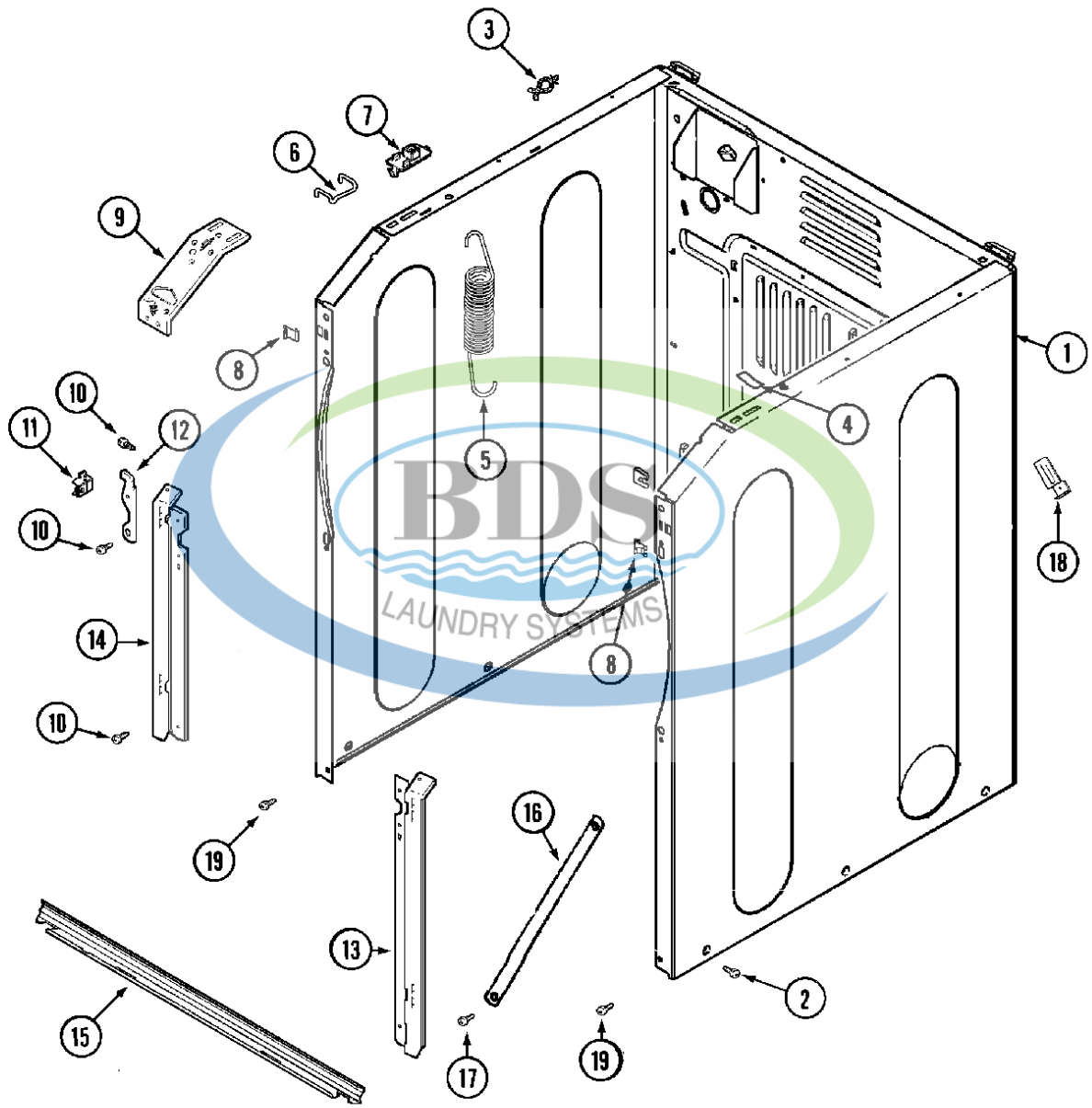
| Ref # | Part Number | Qty. | Description |
|-------|-------------|------|------------------------------|
| 1 | W10529176 | 1 | VAULT, COIN (WHT)PD |
| 1 | W10529176 | - | (BSQ) |
| 2 | NLA | 1 | STRAP, MOUNTING |
| 3 | 3370225 | 1 | SCREW, MOUNTING STRAP |
| 4 | NLA | 1 | WASHER, MOUNTING STRAP |
| 5 | NLA | 1 | GASKET, CONTROL CENTER (WHT) |
| 5 | NLA | - | (BSQ) |
| 6 | Y052740 | 2 | NUT, CASE MOUNTING |
| 7 | 213035 | 2 | BOLT, LOCKING |
| 8 | NLA | 2 | LOCKWASHER, LOCKING BOLT |
| 9 | NLA | 1 | CAM, LOCKING |
| 10 | 33001250 | 2 | SWITCH, SENSOR |
| 10 | NLA | 2 | SCREW, SENSOR SWITCH |
| 11 | 22004112 | 1 | DROP ASSY., COIN |
| 11 | NLA | 1 | COIN DROP ASY (CAN) |
| 11 | NLA | 1 | SINGLE FACEPLATE |
| 11 | W10198395 | 1 | COIN DROP ASY-DUAL (CAN) |
| 11 | NLA | 1 | DUAL FACEPLATE |
| 12 | NLA | 1 | BUTTON, RETURN |
| 13 | 22003679 | 1 | DOOR, ACCESS (WHT) |
| 13 | NLA | - | (BSQ) |
| 14 | 22001965 | 1 | SWITCH ASSY., OPTIC |
| 15 | 3395530 | 1 | SCREW, OPTIC SWITCH |
| 16 | NLA | 3 | SCREW, COIN DROP |
| 17 | NLA | 1 | BRACKET, SWITCH |
| 18 | 90767 | 1 | SCREW, SWITCH BRACKET |
| 19 | NLA | 1 | HARNESS, SENSOR SWITCH |





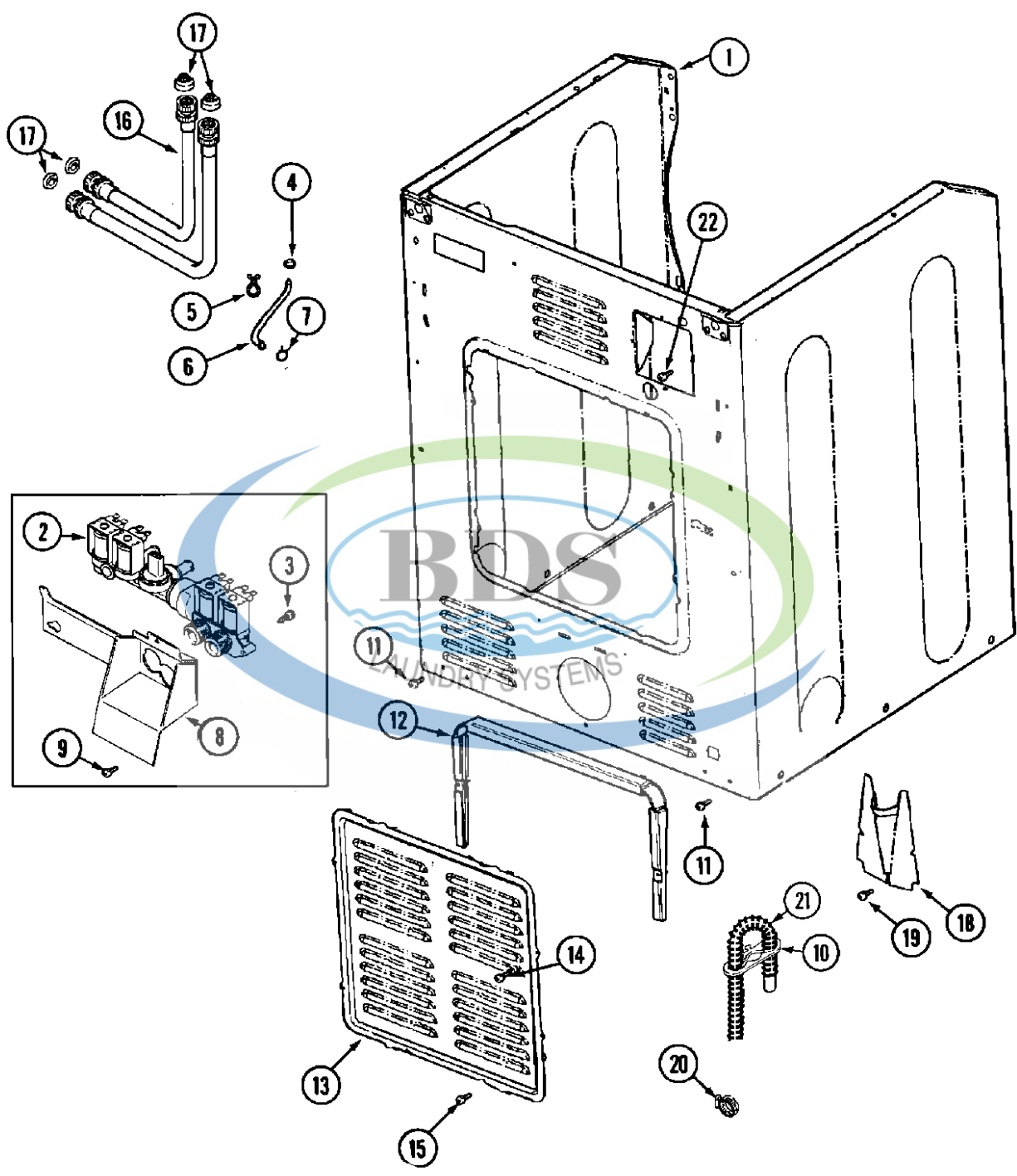
| Ref # | Part Number | Qty. | Description |
|-------|-------------|------|-----------------------------|
| 1 | NLA | - | COVER, TOP (WHT) |
| 1 | NLA | - | COVER, TOP (BSQ) |
| 1 | NLA | 1 | COVER, TOP (WHT-AS PK) |
| 1 | NLA | - | COVER, TOP (WHT-AS PK) |
| 1 | NLA | - | COVER, TOP (BSQ-AS PK) |
| 1 | NLA | 1 | COVER, TOP (WHT) |
| 2 | 489503 | 4 | CLAMP, HOSE |
| 3 | 22002941 | 1 | LID, DISPENSER |
| 4 | 22003665 | 1 | BEZEL, DISPENSER |
| 5 | 6-912678 | 1 | PIN, HINGE (LONG) |
| 6 | Y912679 | 1 | PIN, HINGE (SHORT) |
| 7 | 400021-1 | 4 | SCREW, DISPENSER BEZEL |
| 8 | 22001984 | 1 | CLAMP, DRAIN HOSE |
| 9 | NLA | 1 | CAP |
| 10 | NLA | 1 | FLUME, DISPENSER |
| 11 | 90767 | 1 | SCREW, WIRE TIE |
| 11 | 74007164 | 2 | WIRE TIE, TWIST LOCK |
| 12 | 22003062 | 1 | CORD, POWER |
| 13 | NLA | 1 | GROMMET, CORD |
| 14 | 489128 | 1 | SCREW, POWER CORD & GROUND |
| 15 | NLA | 1 | HOSE, BLEACH |
| 16 | NLA | 1 | HOSE, FABRIC SOFTENER----NA |
| 17 | NLA | 1 | HOSE, DETERGENT |
| 18 | 12001558 | 1 | BOTTOM, DISPENSER |
| 19 | 22002266 | 1 | CAP, SIPHON |
| 20 | 22002265 | 1 | CUP, SIPHON |





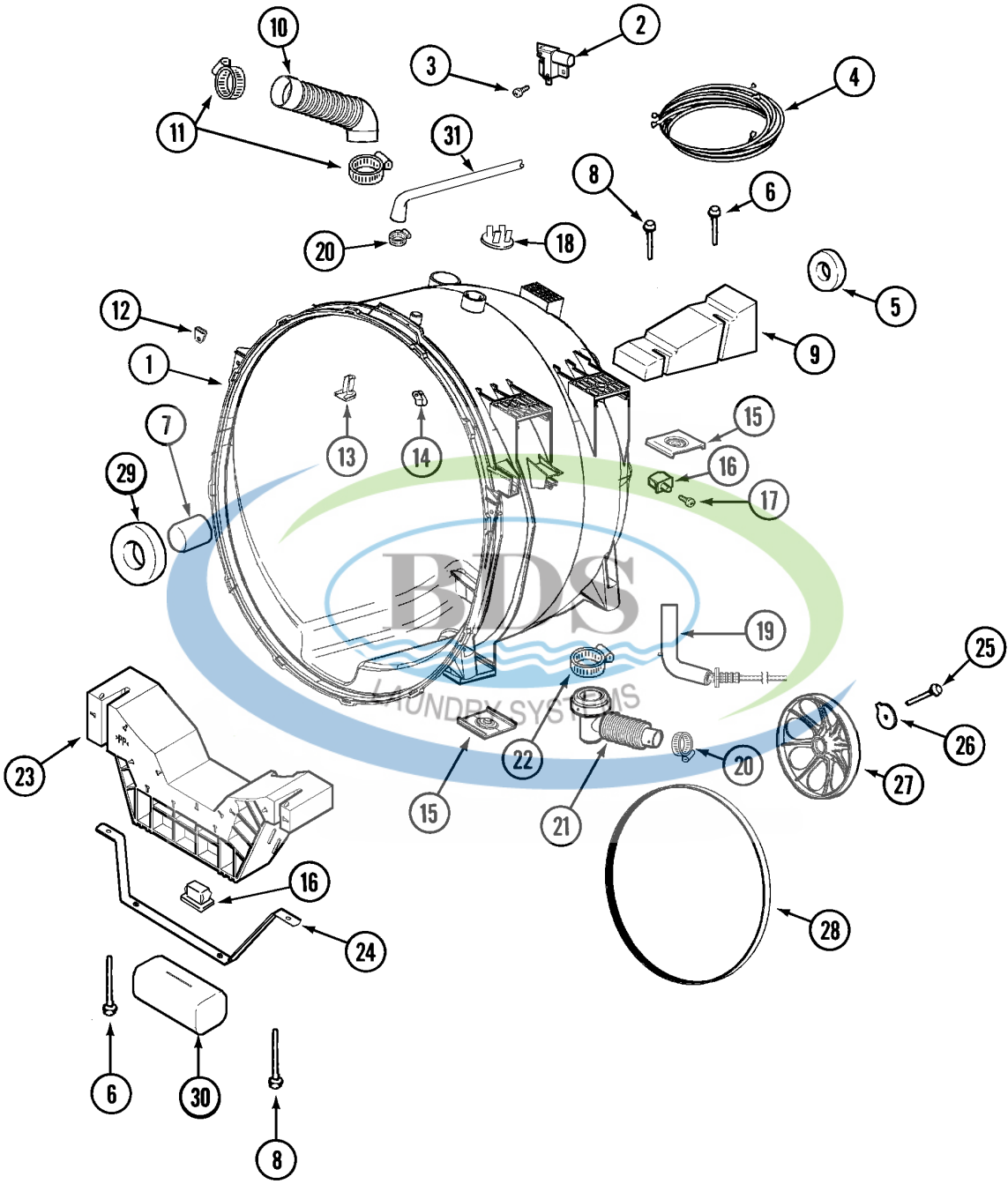
| Ref # | Part Number | Qty. | Description |
|-------|-------------|------|--|
| 1 | NLA | 2 | INSULATION, CABINET (ONE ON EACH SIDE) |
| 1 | NLA | 1 | CABINET ASSY. (WHT AS PK) |
| 1 | NLA | 1 | CABINET ASSY. (WHT) |
| 2 | 213007 | 6 | SCREW, CABINET |
| 2 | 213007 | 6 | SCREW, CABINET (TRUSS) |
| 3 | 22003298 | 2 | RETAINER, WIRE |
| 4 | NLA | 1 | STRAP, TOP COVER SUPPORT |
| 5 | 22002100 | 2 | SPRING |
| 6 | 22002297 | 2 | SUPPORT, SPRING |
| 7 | NLA | 2 | SPACER, TOP COVER |
| 8 | 22002049 | 2 | CLIP, FRONT PANEL |
| 9 | NLA | 1 | BRACE, CORNER (RT) |
| 9 | NLA | 1 | BRACE, CORNER (LT) |
| 9 | NLA | 1 | BRACE ASSEMBLY, TOP CROSS |
| 10 | 22001995 | 8 | SCREW, CLIP TO SECURITY HOOK |
| 11 | NLA | 4 | SUPPORT, HINGE |
| 12 | 33002597 | 2 | HOOK, SECURITY |
| 13 | NLA | 1 | BRACKET, SHROUD SUPPORT (RT) |
| 14 | NLA | 1 | BRACKET, SHROUD SUPPORT (LT) |
| 15 | NLA | 1 | BRIDGE, SHROUD SUPPORT |
| 16 | NLA | 2 | BRACE, CROSS |
| 16 | NLA | 1 | BRACE ASSEMBLY, TOP CROSS |
| 17 | 22001995 | 2 | SCREW, CROSS BRACE |
| 18 | 3370225 | 1 | SCREW, AIR DOME HOSE BRACKET |
| 18 | NLA | 1 | BRACKET, AIR DOME HOSE |
| 19 | 22001995 | 2 | SCREW, FRONT CABINET |



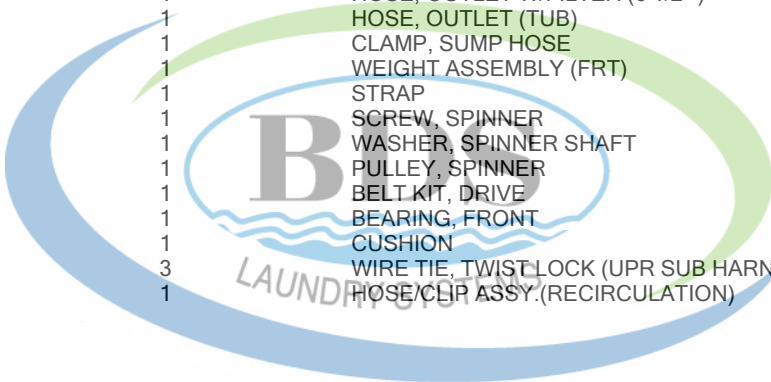


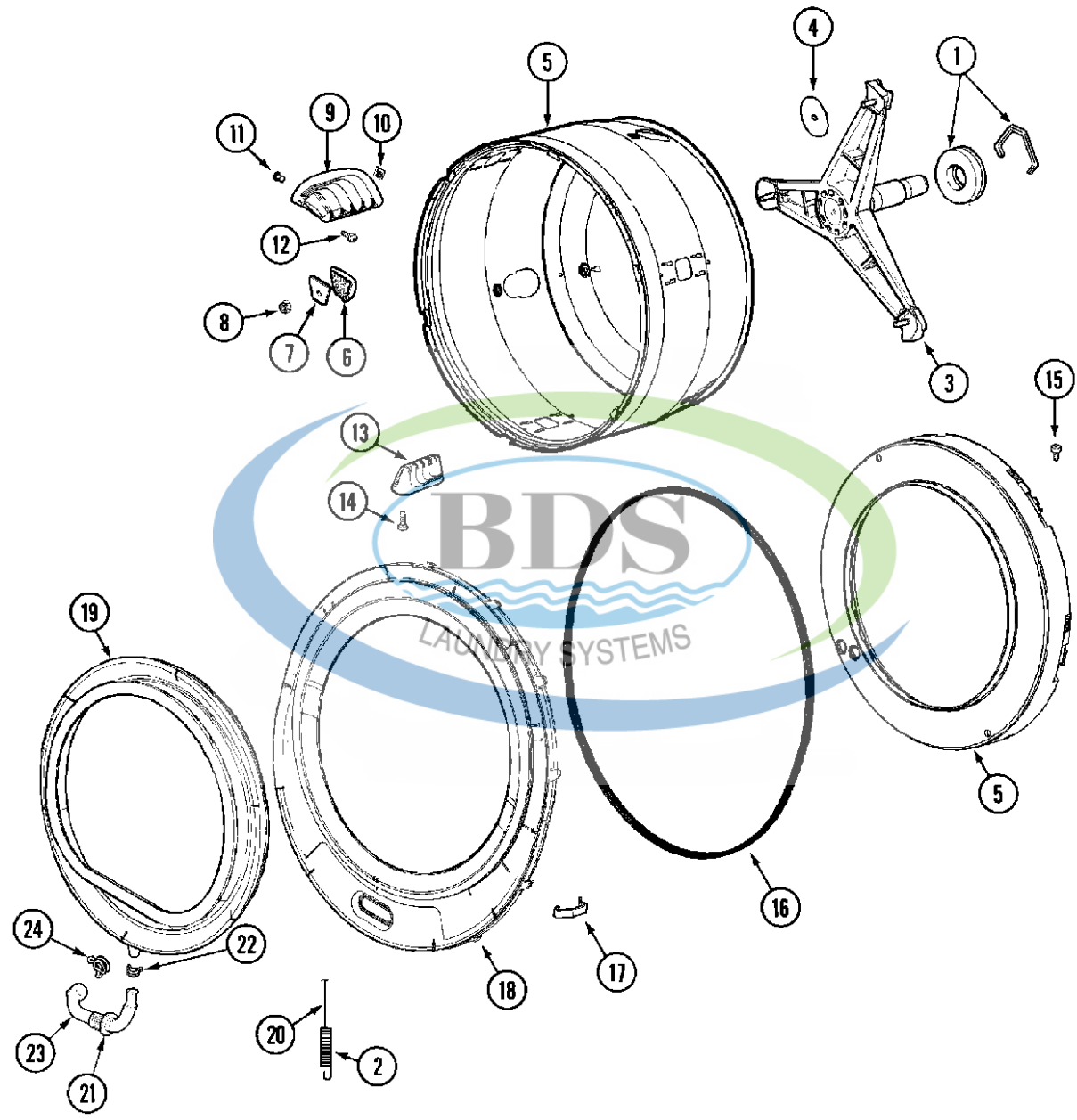
| Ref # | Part Number | Qty. | Description |
|-------|-------------|------|--|
| 1 | 22001995 | 2 | SCREW, HINGE |
| 1 | NLA | 1 | LABEL, ENERGY |
| 1 | NLA | 1 | LABEL, SAFETY |
| 1 | 22004095 | 2 | HINGE, PLASTIC |
| 1 | NLA | 1 | CABINET ASSY. (WHT) |
| 2 | 489503 | 3 | CLAMP, HOSE (BLEACH HOSE) |
| 2 | 22002944 | 1 | VALVE, WATER |
| 3 | NLA | 2 | SCREW, WATER VALVE |
| 4 | 285655 | 1 | CLAMP, STEPLESS |
| 5 | 74007164 | 2 | WIRE TIE, TWIST LOCK |
| 6 | 8539404 | 1 | TIE, CABLE |
| 6 | NLA | 1 | HOSE, INJECTOR |
| 7 | 596669 | 1 | CLAMP, INJECTOR HOSE |
| 8 | NLA | 1 | BRACKET, WATER VALVE |
| 9 | 3370225 | 2 | SCREW, WATER VALVE BRACKET |
| 10 | NLA | 1 | STRAP, DRAIN HOSE |
| 11 | 22001995 | 2 | SCREW, CABINET |
| 12 | NLA | 1 | SPACER, ACCESS PANEL |
| 13 | NLA | 1 | PANEL, ACCESS |
| 14 | 67006908 | 2 | SCREW, ACCESS PANEL SPACER |
| 15 | 3370225 | 2 | SCREW, ACCESS PANEL |
| 16 | 202860 | 2 | INLET HOSE ASSEMBLY |
| 16 | 22002960 | 2 | STRAINER |
| 17 | Y013783 | 4 | WASHER, INLET HOSE |
| 18 | NLA | 1 | COVER, DRAIN HOSE |
| 19 | 22001995 | 1 | SCREW, DRAIN HOSE COVER |
| 20 | 22001984 | 1 | CLAMP, DRAIN HOSE |
| 21 | 12001807 | 1 | DRAIN HOSE REPLACEMENT(NEPTUN) (CORRUGATED DR... |
| 21 | 12001807 | 1 | HOSE, DRAIN (CORRUGATED) |
| 21 | 8539404 | 1 | TIE, CABLE |
| 21 | NLA | 1 | CLIP, DRAIN HOSE |
| 22 | NLA | 1 | SCREW, GROUND LUG |
| 23 | NLA | 1 | WASHER, GROUND LUG |
| 24 | 22002892 | 1 | RETAINER, DRAIN HOSE |



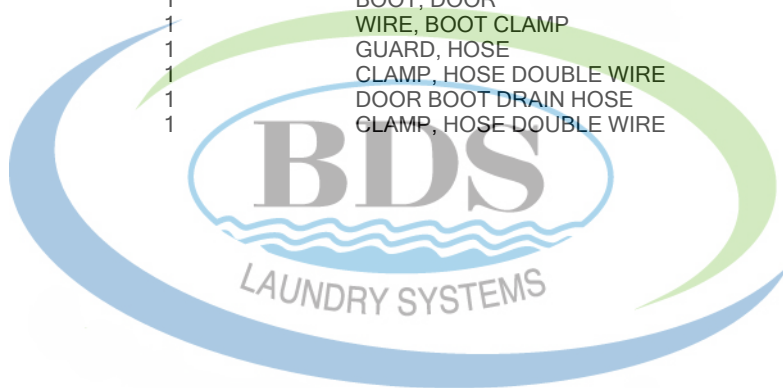


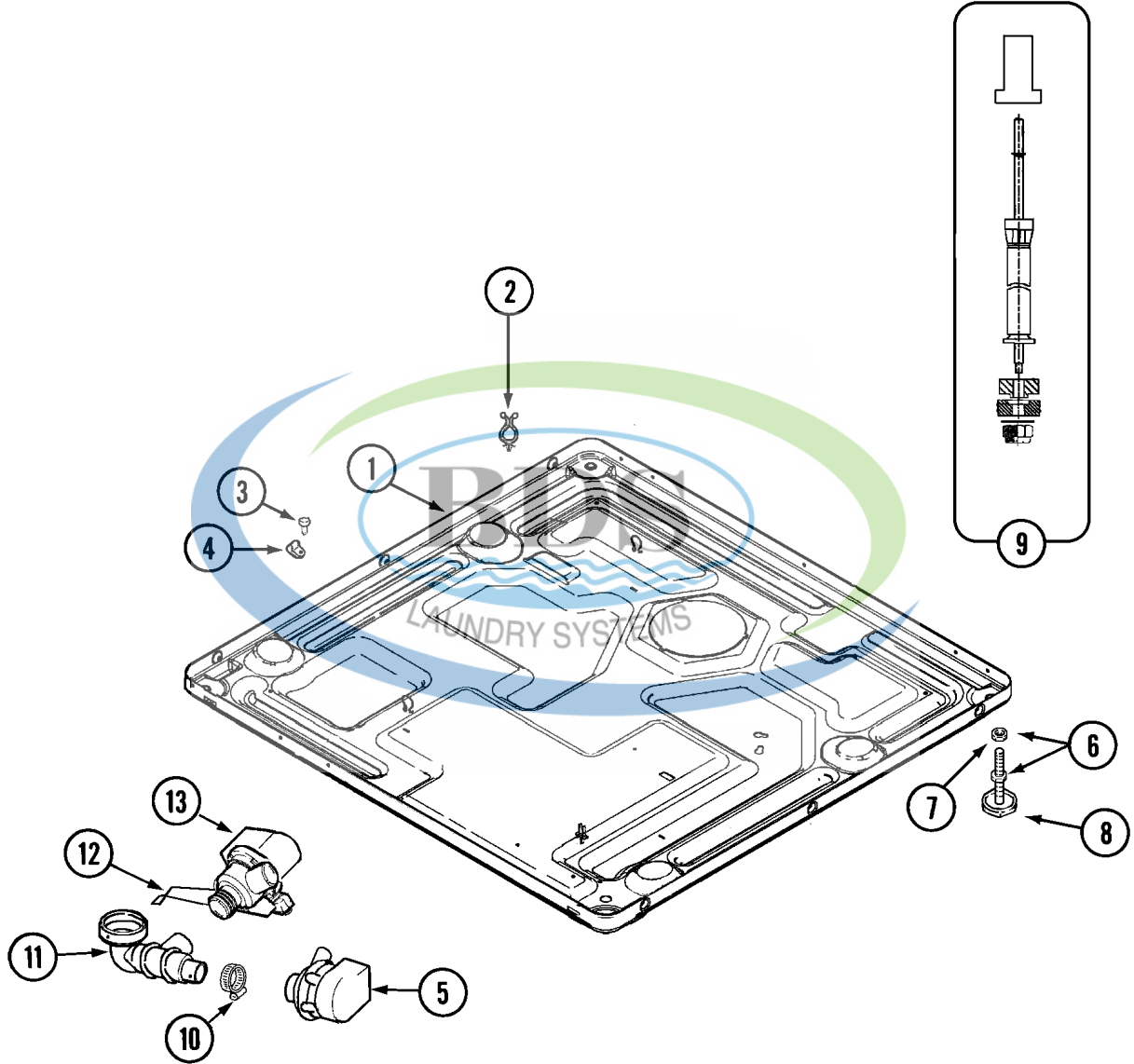
| Ref # | Part Number | Qty. | Description |
|-------|-------------|------|--|
| 1 | 22004465 | 1 | TUB ASSY. (OUTER) |
| 2 | 22003302 | 1 | SWITCH, INERTIAL - UNBALANCE |
| 3 | 9740848 | 2 | SCREW |
| 4 | 12001798 | 1 | WIRE HARNESS, UNBALANCE /COMM |
| 5 | 22003441 | 1 | BEARING, REAR |
| 5 | 22003441 | 1 | BEARING, REAR |
| 6 | 22003615 | 2 | BOLT (LONG) |
| 7 | 22002935 | 1 | SPACER, BEARING |
| 8 | 22003616 | 2 | BOLT (SHORT) |
| 9 | NLA | 1 | WEIGHT, COUNTER BALANCE |
| 10 | 22002083 | 1 | HOSE, INJECTOR |
| 11 | 616099 | 2 | CLAMP, INJECTOR HOSE |
| 12 | NLA | 2 | CLIP, U |
| 13 | 22004310 | 1 | DEFLECTOR, WATER |
| 13 | 22004310 | 1 | DEFLECTOR, WATER |
| 14 | NLA | 3 | CLIP, WIRE HARNESS & OUTER TUB |
| 15 | NLA | 2 | NUT, COUNTER BALANCE |
| 16 | 22002044 | 2 | SWITCH, TUB DISPLACEMENT |
| 17 | 910187 | 1 | SCREW |
| 18 | 910187 | 1 | SCREW, SADDLE HORN CLIP |
| 18 | NLA | 1 | CLIP, HOSE (SADDLE HORN) |
| 19 | 22002010 | 1 | HOSE, AIR DOME |
| 19 | NLA | 1 | CLIP, SNAP -----S?? (AIR DOME HOSE/UPR SUB HARNESS |
| 20 | 596669 | 1 | CLAMP, HOSE |
| 21 | NLA | 1 | HOSE, OUTLET W/FILTER (6 1/2``) |
| 21 | NLA | 1 | HOSE, OUTLET (TUB) |
| 22 | 696392 | 1 | CLAMP, SUMP HOSE |
| 23 | NLA | 1 | WEIGHT ASSEMBLY (FRT) |
| 24 | NLA | 1 | STRAP |
| 25 | 22003937 | 1 | SCREW, SPINNER |
| 26 | 22003936 | 1 | WASHER, SPINNER SHAFT |
| 27 | 22002315 | 1 | PULLEY, SPINNER |
| 28 | 12001788 | 1 | BELT KIT, DRIVE |
| 29 | 22002934 | 1 | BEARING, FRONT |
| 30 | NLA | 1 | CUSHION |
| 31 | 74007164 | 3 | WIRE TIE, TWIST LOCK (UPR SUB HARNESS TO HOSE) |
| 31 | NLA | 1 | HOSE/CLIP ASSY.(RECIRCULATION) |





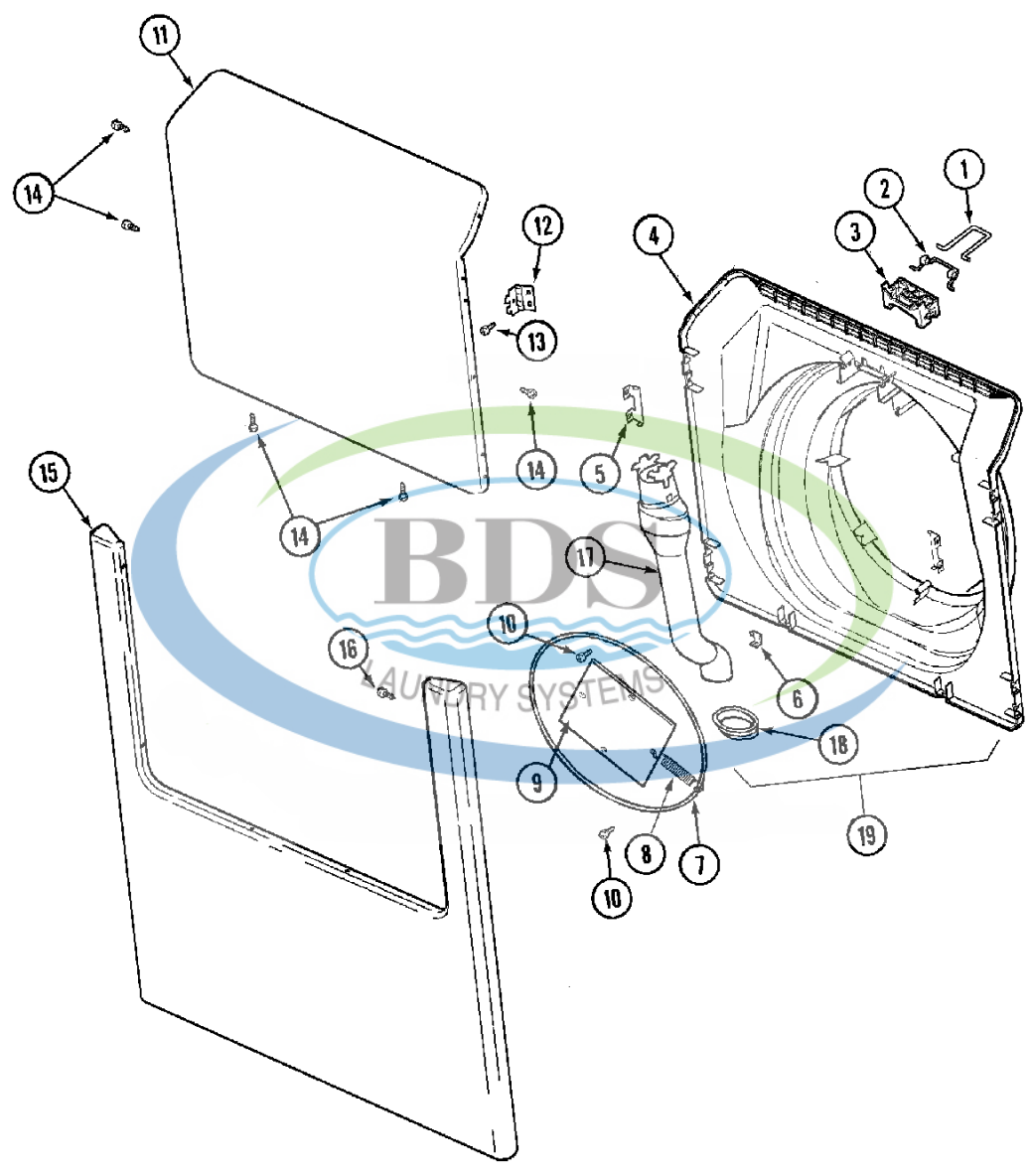
| Ref # | Part Number | Qty. | Description |
|-------|-------------|------|--------------------------------|
| 1 | 12002022 | 1 | LIP SEAL SVC ASSY. |
| 2 | 22002099 | 1 | SPRING, TUB |
| 3 | 22002123 | 1 | TUBE, MOLYKOTE |
| 3 | W10181639 | 1 | SUPPORT ASSY., SPINNER |
| 4 | 22002023 | 3 | WASHER, PLASTIC |
| 5 | 6-2717080 | 1 | SPINNER ASSY. (W/BALANCE RING) |
| 6 | 22002482 | 3 | WASHER, PROFILE |
| 7 | 22002020 | 3 | WASHER, SPINNER SUPPORT |
| 8 | 2207454 | 3 | NUT, SPINNER ATTACHMENT |
| 9 | 22001985 | 3 | BAFFLE, DRIP (REAR) |
| 10 | 22002009 | 3 | GROMMET, BAFFLE (REAR) |
| 11 | 22001999 | 3 | GROMMET, BAFFLE (FRT) |
| 12 | 22003556 | 6 | SCREW, BAFFLE (REAR) |
| 13 | 22001986 | 3 | BAFFLE, DRIP (FRONT) |
| 14 | 22002059 | 6 | SCREW, BAFFLE (FRONT) |
| 15 | NLA | | PART NEVER USED IN PRODUCTION |
| 15 | NLA | 1 | SCREW, BALANCE RING |
| 16 | 22002077 | 13 | SEAL, TUB COVER |
| 17 | 22002050 | 1 | CLIP, TUB TO COVER |
| 18 | 22003212 | 1 | COVER, TUB (W/SEAL) |
| 18 | 22003212 | 1 | COVER, TUB (W/SEAL) (ASP) |
| 18 | 22003074 | 1 | GUARD, HOSE |
| 18 | 22003212 | 1 | COVER, TUB (W/SEAL) (ASP)--W |
| 19 | 12002533 | 1 | KIT, DOOR BOOT W/DRAIN |
| 19 | 12002533 | 1 | BOOT, DOOR |
| 20 | 22002327 | 1 | WIRE, BOOT CLAMP |
| 21 | 22003074 | 1 | GUARD, HOSE |
| 22 | 22003072 | 1 | CLAMP, HOSE DOUBLE WIRE |
| 23 | 22004477 | 1 | DOOR BOOT DRAIN HOSE |
| 24 | 596669 | 1 | CLAMP, HOSE DOUBLE WIRE |





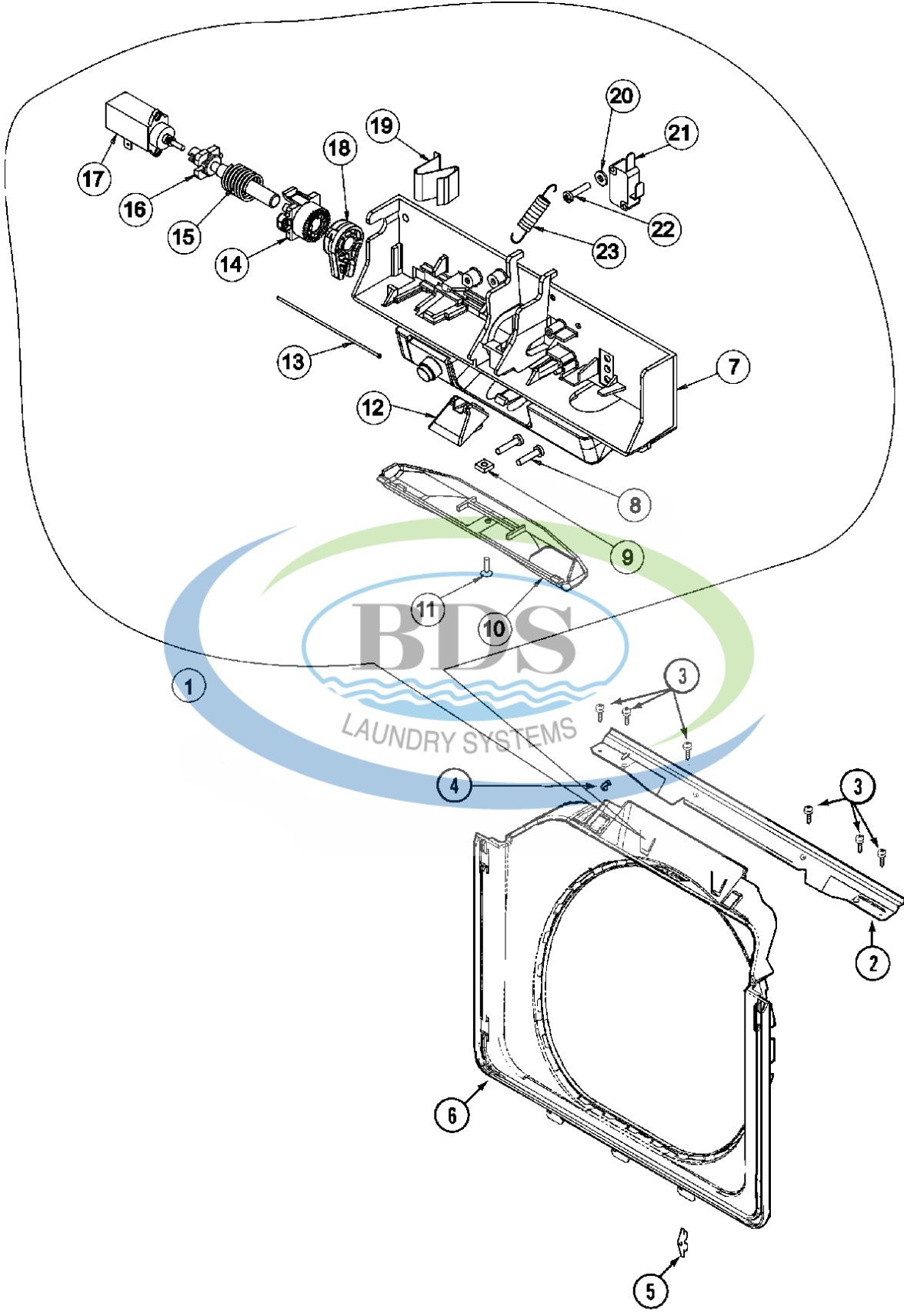
| Ref # | Part Number | Qty. | Description |
|-------|-------------|------|--------------------------------|
| 1 | 22003435 | 1 | BASE |
| 1 | NLA | 1 | BASE, ASSEMBLY |
| 1 | NLA | 1 | BASE WELD ASSEMBLY |
| 2 | 22003298 | 5 | RETAINER, WIRE |
| 3 | 90767 | 1 | SCREW, WIRE HARNESS CLIP |
| 4 | 308605 | 1 | CLIP, WIRE HARNESS |
| 5 | 22003059 | 1 | PUMP, DRAIN (80 WATT) |
| 5 | 22003059 | 1 | PUMP, DRAIN (80 WATT) |
| 6 | 8563585 | 4 | ADJUSTABLE LEG & NUT |
| 7 | Y052740 | 4 | NUT |
| 8 | 210684 | 4 | FOOT, RUBBER |
| 9 | 22001988 | 1 | STRUT ASSY-REAR |
| 10 | 596669 | 1 | HOSE CLAMP (1-1/16 INCH) |
| 11 | NLA | 1 | HOSE, OUTLET W/FILTER (6 1/2`) |
| 11 | NLA | 1 | HOSE, OUTLET (TUB) |
| 12 | NLA | 1 | BRACKET, PUMP MOUNT |
| 13 | 596669 | 1 | CLAMP, HOSE (PUMP/HOSE) |
| 13 | NLA | 1 | PUMP (RECIRCULATION) |
| 13 | NLA | 1 | PAD, RECIRCULATION PUMP |





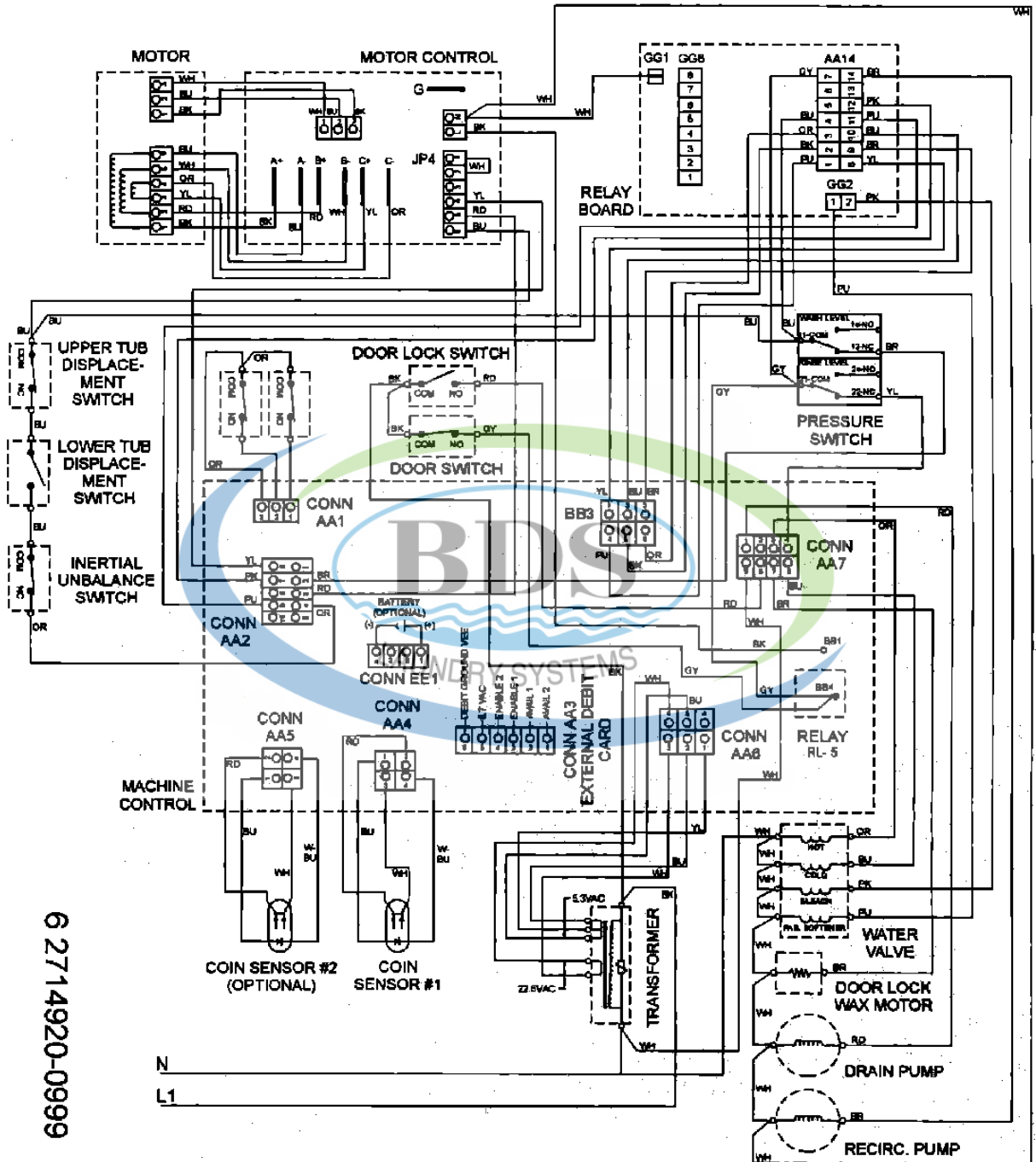
| Ref # | Part Number | Qty. | Description |
|-------|-------------|------|-------------------------------|
| 1 | 22003222 | 1 | HOOP, LOCK |
| 2 | 22002003 | 1 | SPRING, LATCH |
| 3 | 22002168 | 1 | SUPPORT, LOCK HOOP |
| 4 | 22003083 | 1 | DOOR, INNER (W/VENT-WHT) |
| 4 | NLA | - | DOOR, INNER (W/VENT-BSQ) |
| 4 | 22003083 | 1 | DOOR, INNER (WHT) |
| 4 | 22003078 | - | DOOR, INNER (BSQ) |
| 4 | 22003800 | 1 | INNER DOOR/VENTED (ASPK-WHT) |
| 5 | 22002038 | 4 | CLIP, DOOR (DOUBLE) |
| 6 | 22002039 | 4 | CLIP, DOOR (SINGLE) |
| 7 | NLA | 1 | WIRE FRAME |
| 7 | NLA | - | NOT REQUIRED PART OR SEE NOTE |
| 8 | NLA | 2 | SPRING, PLATE |
| 8 | NLA | - | NOT REQUIRED PART OR SEE NOTE |
| 9 | NLA | 1 | PLATE |
| 9 | NLA | - | NOT REQUIRED PART OR SEE NOTE |
| 10 | NLA | 1 | SCREW |
| 10 | NLA | - | NOT REQUIRED PART OR SEE NOTE |
| 11 | NLA | 1 | DOOR, OUTER (WHT-W/DAMPER) |
| 11 | NLA | - | (BSQ-W/DAMPER) |
| 12 | 22002798 | 2 | HINGE, DOOR----SUB |
| 13 | 98006631 | 4 | SCREW, HINGE |
| 14 | 22002063 | 6 | SCREW No.8-18AB WAFER HD |
| 14 | NLA | - | SCREW, OUTER DOOR (BSQ) |
| 15 | 22002049 | 2 | CLIP |
| 15 | NLA | - | PANEL, FRONT (BSQ) |
| 15 | 22002836 | 1 | PANEL, FRONT (WHT) |
| 16 | 22002243 | 4 | SCREW, FRONT PANEL & HINGE |
| 16 | NLA | 1 | CLIP, GROUNDING |
| 17 | 22003850 | 1 | VENT TUBE ASSEMBLY |
| 18 | 22003075 | 1 | GROMMET, VENT TUBE |
| 19 | 22003083 | 1 | LINER, DOOR ASSY W/VENT (WHT) |
| 19 | NLA | - | LINER, DOOR ASSY W/VENT (BSQ) |





| Ref # | Part Number | Qty. | Description |
|-------|-------------|------|-------------------------------|
| 1 | NLA | 1 | LATCH, ASSY. (DOM/COMMERCIAL) |
| 2 | NLA | 1 | BRACE ASSEMBLY, TOP CROSS |
| 2 | NLA | 1 | SUPPORT, DOOR LOCK |
| 3 | 22001995 | 6 | SCREW, DOOR LOCK SUPPORT |
| 4 | 308605 | 1 | CLIP, WIRE HARNESS |
| 5 | 12001994 | 2 | COVER, HINGE (WHT) |
| 5 | 33001764 | 2 | COVER, HINGE HOLE (WHT) |
| 5 | 33001787 | 2 | SCREW |
| 5 | 33002349 | - | COVER, HINGE HOLE (BSQ) |
| 6 | 22002234 | 1 | SHROUD & DISPENSER HOSE (WHT) |
| 7 | 22003722 | 1 | SWITCH HOLDER ASSY, LATCH |
| 7 | NLA | 1 | SWITCH, DOOR |
| 8 | NLA | 2 | SCREW, LATCH |
| 9 | 22003720 | 1 | NUT, LATCH |
| 10 | NLA | 1 | COVER, LATCH ASSEMBLY (LWR) |
| 11 | 241877 | 1 | SCREW |
| 12 | 22003055 | 1 | RAMP, DOOR HOOP |
| 13 | NLA | 1 | CABLE, DOOR |
| 14 | 22003715 | 1 | SLIDING GEAR, LATCH |
| 15 | 22003721 | 1 | SPRING, AXLE / LATCH |
| 16 | 22003718 | 1 | AXLE, LATCH |
| 17 | 22002119 | 1 | MOTOR, WAX |
| 18 | 22003716 | 1 | ROTATING GEAR, LATCH |
| 19 | 22003717 | 1 | SPRING, LATCH |
| 20 | 22002165 | 1 | WASHER, DOOR LOCK SWITCH |
| 21 | 22002162 | 1 | SWITCH, DOOR LOCK SPIN ENABLE |
| 22 | NLA | 1 | SCREW, CHECK SWITCH |
| 23 | NLA | 1 | SPRING, GEAR RETURN |

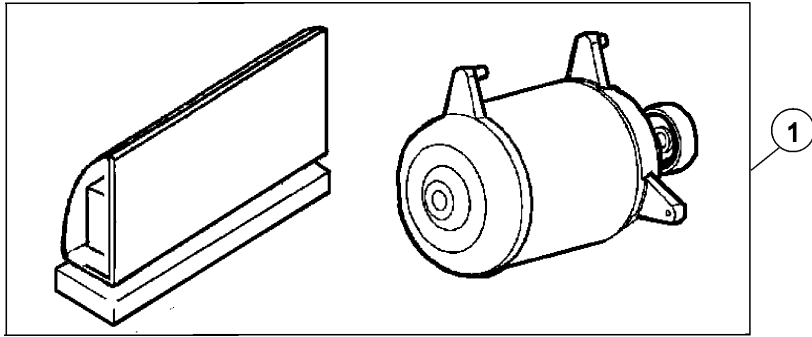




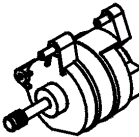

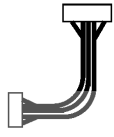
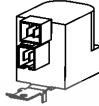
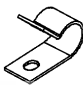



6 2714920-0999

| Ref # | Part Number | Qty. | Description |
|-------|-------------|------|--------------------|
| 1 | NLA | 1 | WIRING INFORMATION |

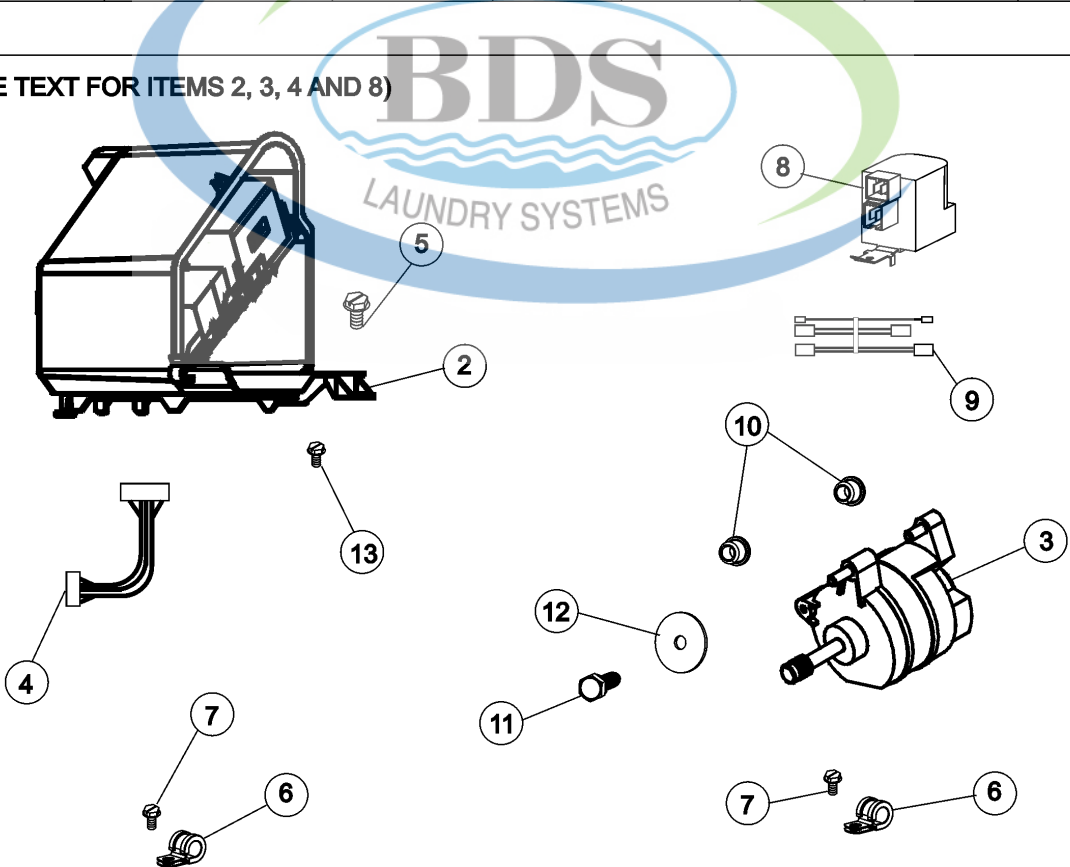




ITEM 1
KIT CONTAINS:

| | | | | | | | |
|---|--|--|---|--|---|--|---|
|  <p>120002040 MOTOR W/ISOLATORS</p> |  <p>22004046 MOTOR CONTROL BOARD</p> |  <p>22004047 MOTOR HARNESS</p> |  <p>22003854 AC LINE FILTER</p> |  <p>22004102 "P" CLIPS (2)</p> |  <p>22002300 SCREW "P" CLIPS TO MOTOR</p> |  <p>22004101 LOWER JUMPER WIRE HARNESS</p> |  <p>22004103 SCREW GROUND</p> |
|---|--|--|---|--|---|--|---|

(SEE TEXT FOR ITEMS 2, 3, 4 AND 8)



| Ref # | Part Number | Qty. | Description |
|-------|-------------|------|------------------------------|
| 1 | 12002039 | 1 | NEPTUNE MOTOR CONVERSION KIT |
| 2 | 22004046 | 1 | CONTROL ASSY., MOTOR |
| 3 | 22003856 | 1 | MOTOR, VARIABLE SPEED |
| 4 | 22004212 | 1 | HARNESS, MOTOR/MOTOR CONTROL |
| 5 | 1163839 | 2 | SCREW (No.10-3/8``) |
| 6 | 22004102 | 2 | P CLIPS |
| 7 | 9740848 | 2 | SCREW |
| 8 | 22003858 | 1 | EMI SUPPRESSION FILTER, 12A |
| 9 | 22004101 | 1 | REPAIR JUMPER HARNESS |
| 10 | 22003329 | 2 | ISOLATOR, MOTOR |
| 11 | 22003686 | 1 | BOLT, MOTOR |
| 12 | NLA | 1 | WASHER, STRUT |
| 13 | NLA | 1 | SCREW |

