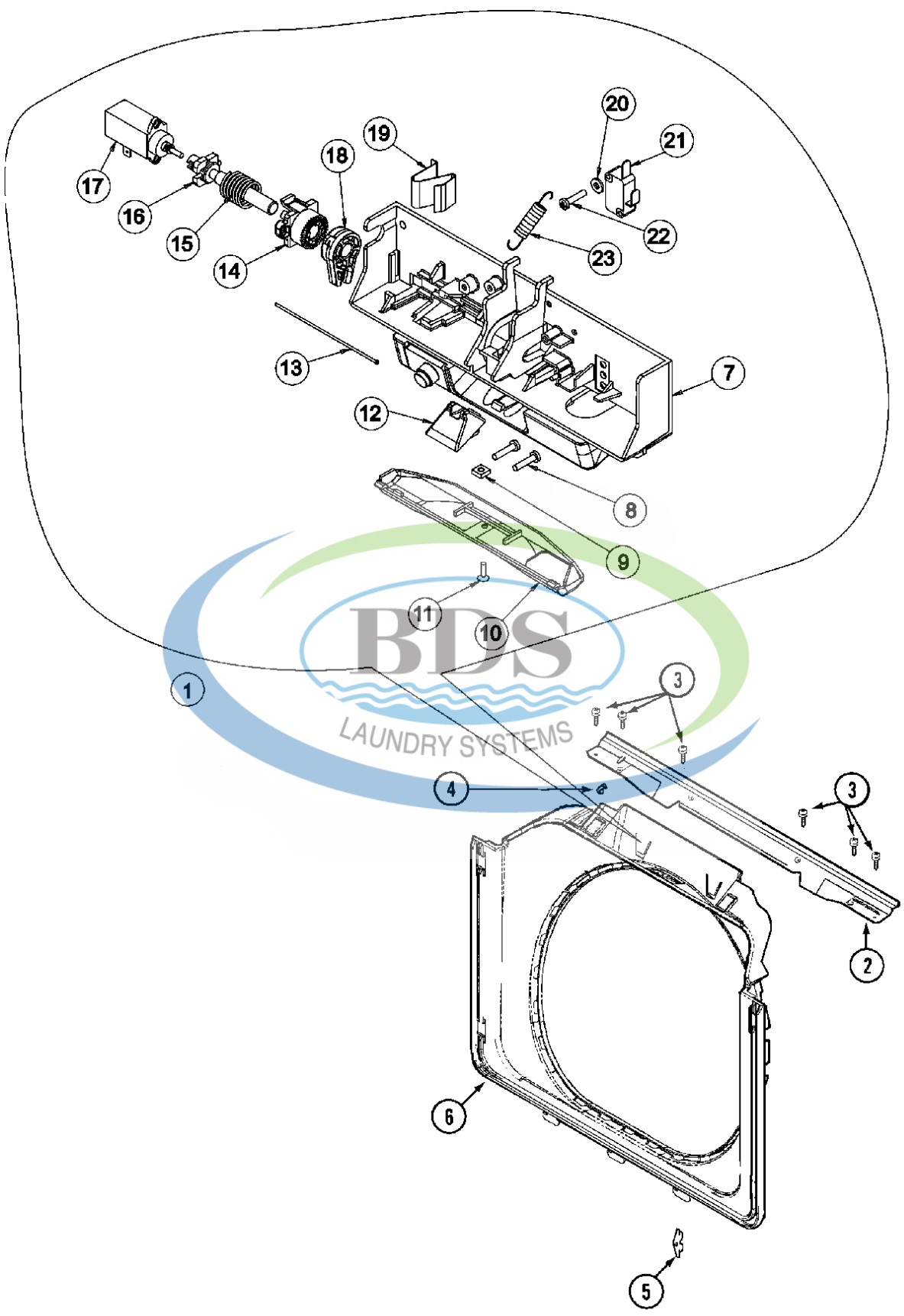


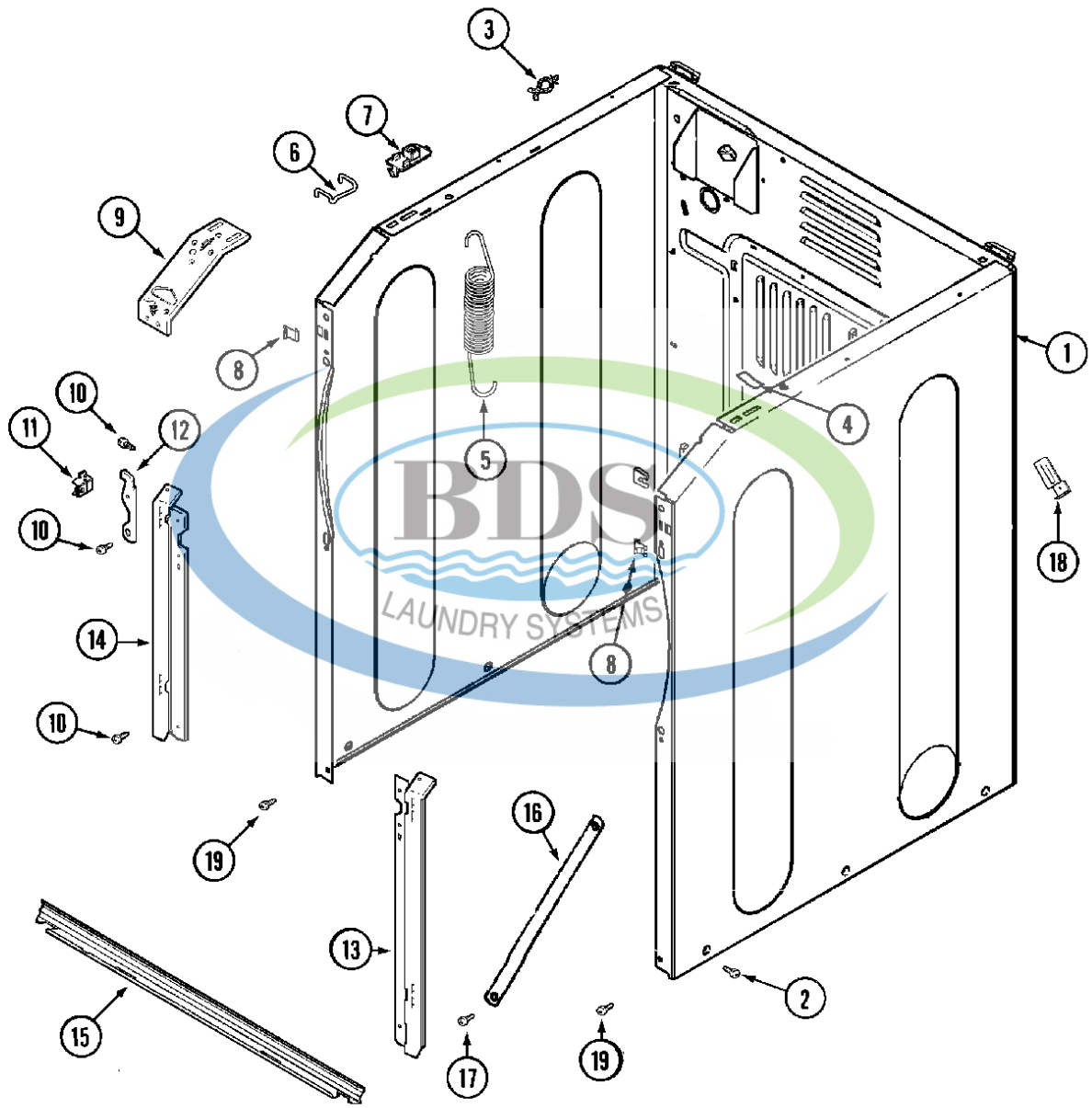
Ref #	Part Number	Qty.	Description
1	22003222	1	HOOP, LOCK
2	22002003	1	SPRING, LATCH
3	22002168	1	SUPPORT, LOCK HOOP
4	22003083	1	DOOR, INNER (W/VENT-WHT)
4	22003083	1	DOOR, INNER (WHT)
4	22003800	1	INNER DOOR/VENTED (ASPK-WHT)
5	NLA	4	CLIP, DOOR (DOUBLE)
6	22002039	4	CLIP, DOOR (SINGLE)
7	NLA	1	WIRE FRAME
7	NLA	-	NOT REQUIRED PART OR SEE NOTE
8	NLA	2	SPRING, PLATE
8	NLA	-	NOT REQUIRED PART OR SEE NOTE
9	NLA	1	PLATE
9	NLA	-	NOT REQUIRED PART OR SEE NOTE
10	NLA	1	SCREW
10	NLA	-	NOT REQUIRED PART OR SEE NOTE
11	NLA	1	DOOR, OUTER (WHT-W/DAMPER)
12	22002798	2	HINGE, DOOR----SUB
13	98006631	4	SCREW, HINGE
14	22002063	6	SCREW No.8-18AB WAFER HD
15	22002049	2	CLIP
15	22002836	1	PANEL, FRONT (WHT)
16	22002243	4	SCREW, FRONT PANEL & HINGE
16	NLA	1	CLIP, GROUNDING
17	22003850	1	VENT TUBE ASSEMBLY
18	22003075	1	GROMMET, VENT TUBE
19	22003083	1	LINER, DOOR ASSY W/VENT (WHT)





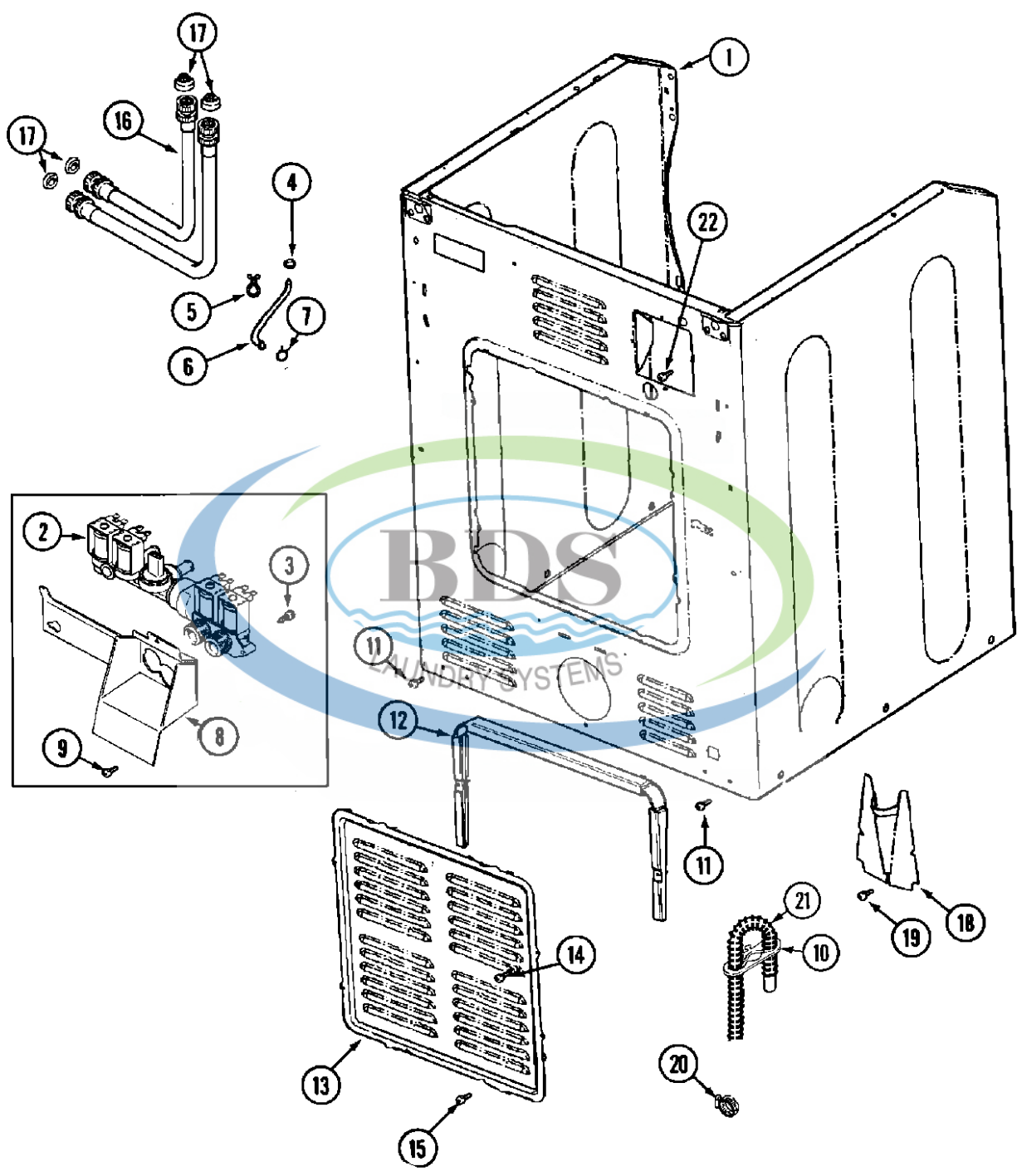
Ref #	Part Number	Qty.	Description
1	NLA	1	LATCH, ASSY. (DOM/COMMERCIAL)
2	22003637	1	BRACE ASSEMBLY, TOP CROSS
2	NLA	1	SUPPORT, DOOR LOCK
3	22001995	6	SCREW, DOOR LOCK SUPPORT
4	308605	1	CLIP, WIRE HARNESS
5	12001994	2	COVER, HINGE (WHT)
5	33001764	2	COVER, HINGE HOLE (WHT)
5	33001787	2	SCREW
6	22002234	1	SHROUD & DISPENSER HOSE (WHT)
7	22003722	1	SWITCH HOLDER ASSY, LATCH
7	NLA	1	SWITCH, DOOR
8	NLA	2	SCREW, LATCH
9	22003720	1	NUT, LATCH
10	NLA	1	COVER, LATCH ASSEMBLY (LWR)
11	241877	1	SCREW
12	22003055	1	RAMP, DOOR HOOP
13	NLA	1	CABLE, DOOR
14	22003715	1	SLIDING GEAR, LATCH
15	22003721	1	SPRING, AXLE / LATCH
16	22003718	1	AXLE, LATCH
17	22002119	1	MOTOR, WAX
18	22003716	1	ROTATING GEAR, LATCH
19	22003717	1	SPRING, LATCH
20	NLA	1	SCREW, CHECK SWITCH
21	22002165	1	WASHER, DOOR LOCK SWITCH
22	22002162	1	SWITCH, DOOR LOCK SPIN ENABLE
23	NLA	1	SPRING, GEAR RETURN



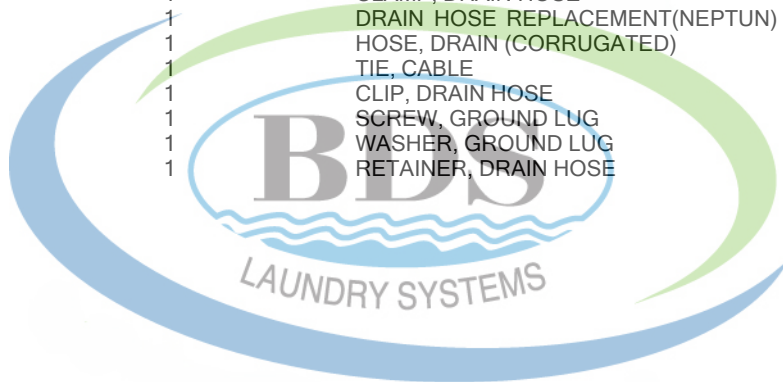


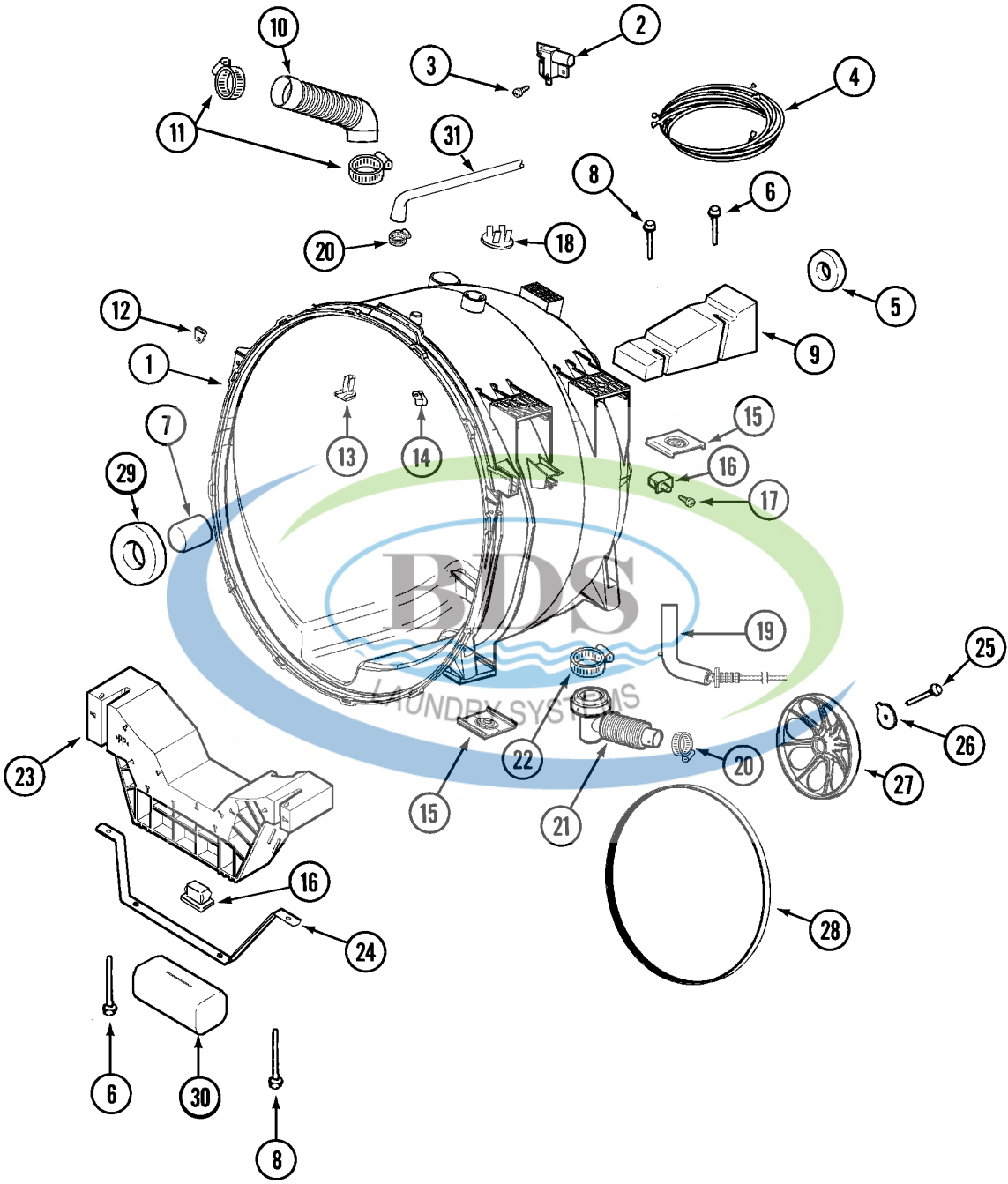
Ref #	Part Number	Qty.	Description
1	NLA	2	INSULATION, CABINET (ONE ON EACH SIDE)
1	NLA	1	CABINET ASSY. (WHT AS PK)
1	NLA	1	CABINET ASSY. (WHT)
2	213007	6	SCREW, CABINET
3	22003298	2	RETAINER, WIRE
4	NLA	1	STRAP, TOP COVER SUPPORT
5	22002100	2	SPRING
6	22002297	2	SUPPORT, SPRING
7	NLA	2	SPACER, TOP COVER
8	22002049	2	CLIP, FRONT PANEL
9	NLA	1	BRACE, CORNER (RT)
9	NLA	1	BRACE, CORNER (LT)
9	NLA	1	BRACE ASSEMBLY, TOP CROSS
10	22001995	8	SCREW, CLIP TO SECURITY HOOK
11	NLA	4	SUPPORT, HINGE
12	33002597	2	HOOK, SECURITY
13	NLA	1	BRACKET, SHROUD SUPPORT (RT)
14	NLA	1	BRACKET, SHROUD SUPPORT (LT)
15	NLA	1	BRIDGE, SHROUD SUPPORT
15	NLA	1	SHROUD SUPPORT ASSEMBLY
16	NLA	2	BRACE, CROSS
17	22001995	2	SCREW, CROSS BRACE
18	3370225	1	SCREW, AIR DOME HOSE BRACKET
18	NLA	1	BRACKET, AIR DOME HOSE
19	22001995	2	SCREW, FRONT CABINET





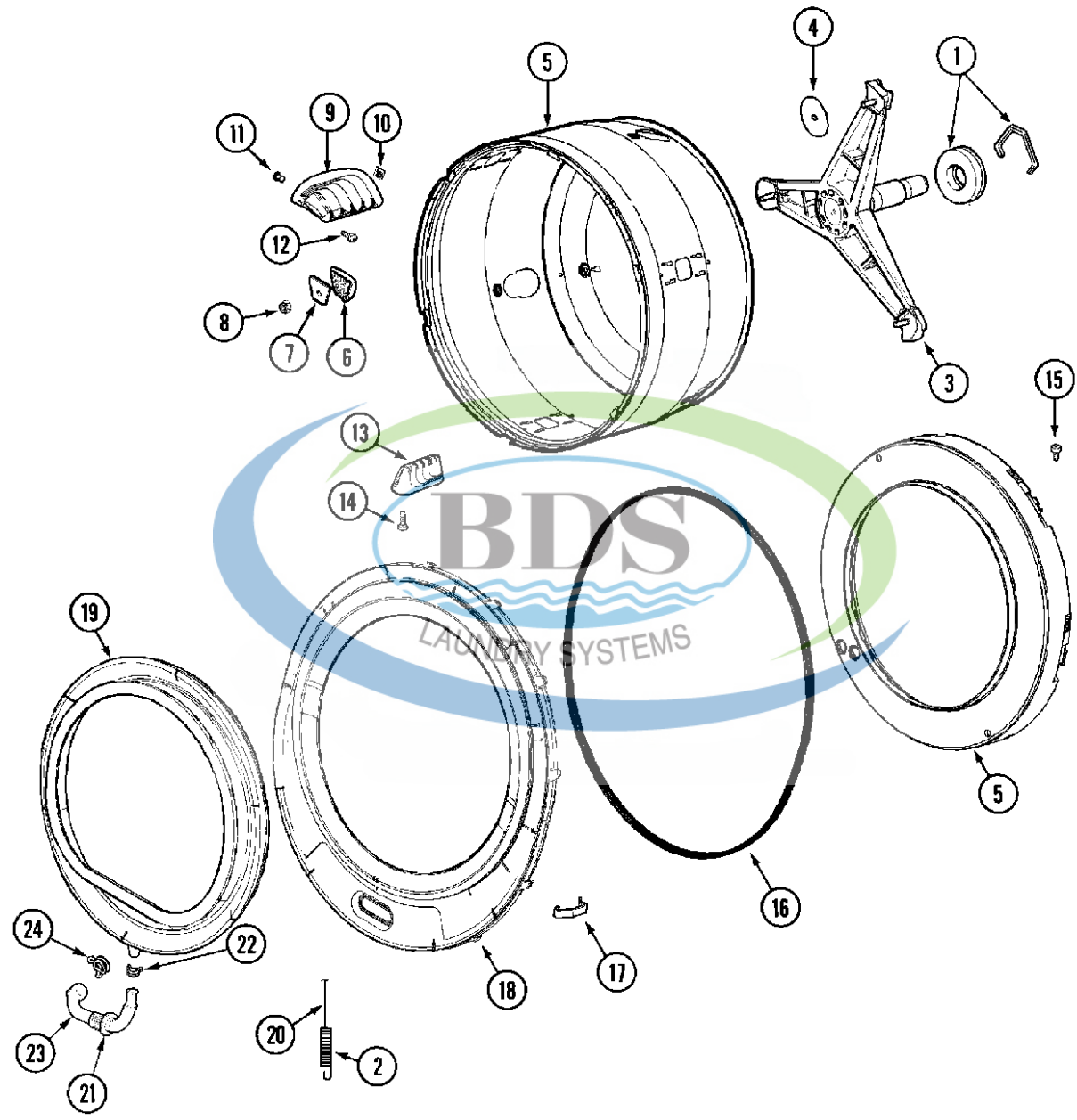
Ref #	Part Number	Qty.	Description
1	NLA	1	LABEL, ENERGY
1	NLA	1	LABEL, SAFETY
1	NLA	1	CABINET ASSY. (WHT)
2	489503	3	CLAMP, HOSE (BLEACH HOSE)
2	22002944	1	VALVE, WATER
3	NLA	2	SCREW, WATER VALVE
4	285655	1	CLAMP, STEPLESS
5	74007164	2	WIRE TIE, TWIST LOCK
6	8539404	1	TIE, CABLE
6	NLA	1	HOSE, INJECTOR
7	596669	1	CLAMP, INJECTOR HOSE
8	NLA	1	BRACKET, WATER VALVE
9	3370225	2	SCREW, WATER VALVE BRACKET
10	NLA	1	STRAP, DRAIN HOSE
11	22001995	2	SCREW, CABINET
12	NLA	1	SPACER, ACCESS PANEL
13	NLA	1	PANEL, ACCESS
14	67006908	2	SCREW, ACCESS PANEL SPACER
15	22001996	2	SCREW, ACCESS PANEL
16	202860	2	INLET HOSE ASSEMBLY
16	22002960	2	STRAINER
17	Y013783	4	WASHER, INLET HOSE
18	NLA	1	COVER, DRAIN HOSE
19	22001995	1	SCREW, DRAIN HOSE COVER
20	22001984	1	CLAMP, DRAIN HOSE
21	12001807	1	DRAIN HOSE REPLACEMENT(NEPTUN) (CORRUGATED DR...
21	12001807	1	HOSE, DRAIN (CORRUGATED)
21	8539404	1	TIE, CABLE
21	NLA	1	CLIP, DRAIN HOSE
22	NLA	1	SCREW, GROUND LUG
23	NLA	1	WASHER, GROUND LUG
24	22002892	1	RETAINER, DRAIN HOSE





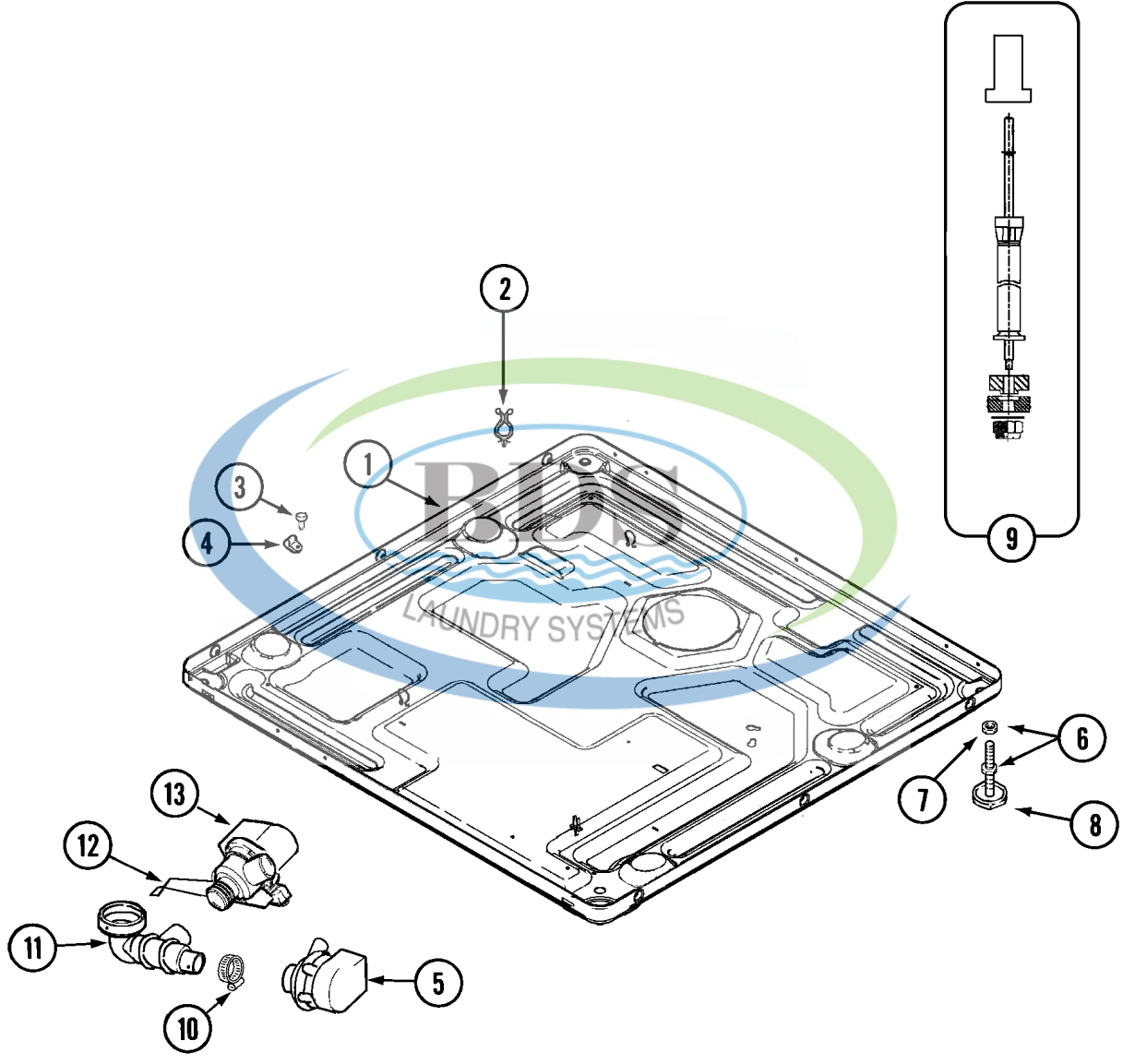
Ref #	Part Number	Qty.	Description
1	22004465	1	TUB ASSY. (OUTER)
2	22003302	1	SWITCH, INERTIAL - UNBALANCE
3	9740848	2	SCREW
4	12001798	1	WIRE HARNESS, UNBALANCE /COMM
5	22003441	1	BALL BEARING, RADIAL----S
6	22003616	2	BOLT, DOUBLE SEMS 3-3/8
7	22002935	1	SPACER, BEARING
8	22003615	2	BOLT, DOUBLE SEMS 5-3/8
9	NLA	1	WEIGHT, COUNTER BALANCE
10	22002083	1	HOSE, INJECTOR
11	616099	2	CLAMP, INJECTOR HOSE
12	NLA	2	CLIP, U
13	22004310	1	DEFLECTOR, WATER
14	NLA	3	CLIP, WIRE HARNESS & OUTER TUB
14	NLA	2	WIRE WRAP
15	NLA	2	NUT, COUNTER BALANCE
16	22002044	2	SWITCH, TUB DISPLACEMENT
17	910187	1	SCREW
18	910187	1	SCREW, SADDLE HORN CLIP
18	NLA	1	CLIP, HOSE (SADDLE HORN)
19	22002010	1	HOSE, AIR DOME
19	NLA	1	CLIP, SNAP -----S?? (AIR DOME HOSE/UPR SUB HARNESS
20	596669	1	CLAMP, HOSE
21	NLA	1	HOSE, OUTLET W/FILTER (6 1/2`)
21	NLA	1	HOSE, OUTLET (TUB)
22	696392	1	CLAMP, SUMP HOSE
23	NLA	1	WEIGHT ASSEMBLY (FRT)
24	NLA	1	STRAP
25	22003937	1	SCREW, SPINNER
26	22003936	1	WASHER, SPINNER SHAFT
27	22002315	1	PULLEY, SPINNER
28	12001788	1	BELT KIT, DRIVE
29	22002934	1	BEARING, FRONT
30	NLA	1	CUSHION
31	74007164	3	WIRE TIE, TWIST LOCK (UPR SUB HARNESS TO HOSE)
31	NLA	1	HOSE/CLIP ASSY.(RECIRCULATION)





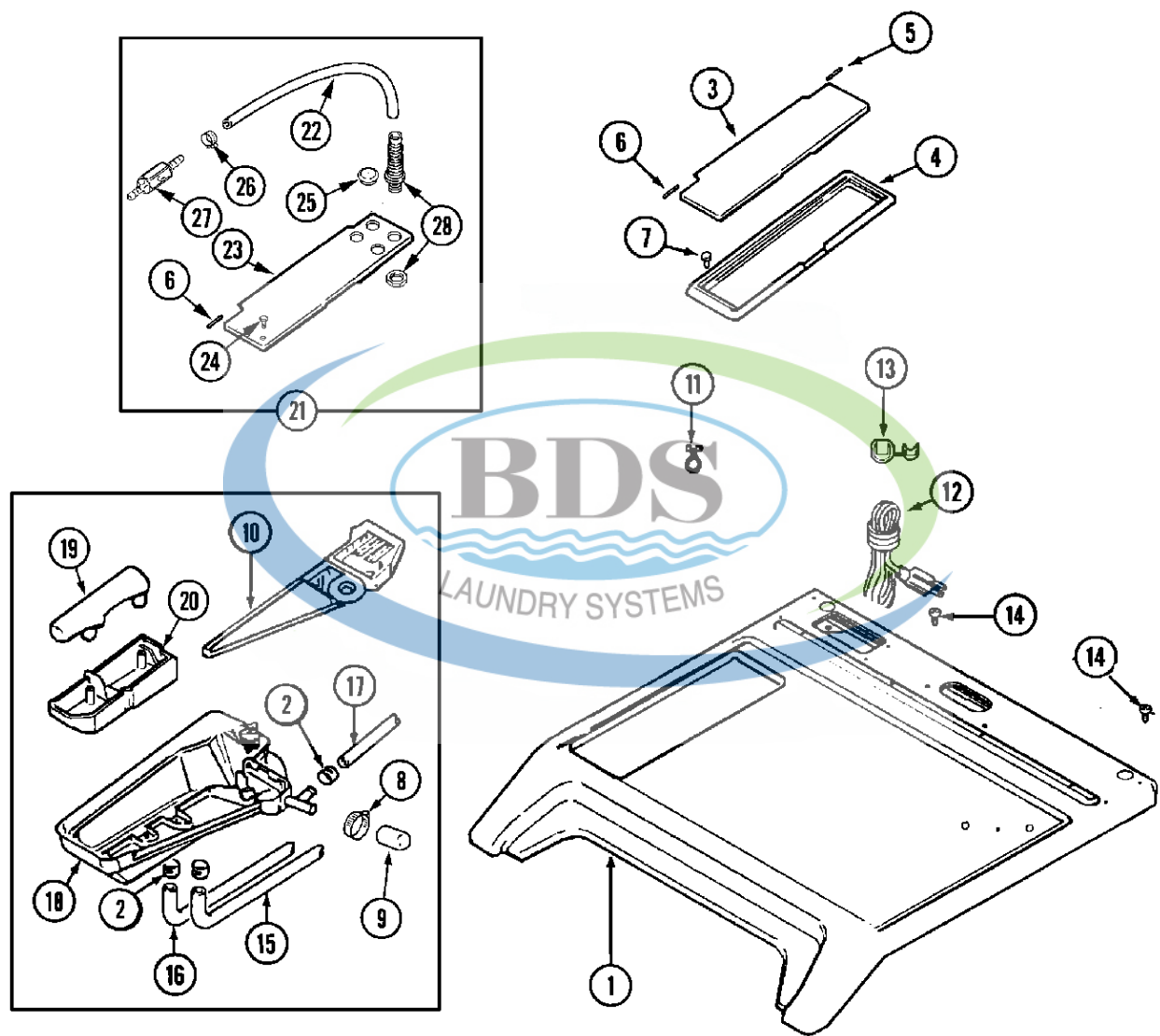
Ref #	Part Number	Qty.	Description
1	12002022	1	LIP SEAL SVC ASSY.
2	22002099	1	SPRING, TUB
3	22002123	1	TUBE, MOLYKOTE
3	W10181639	1	SUPPORT ASSY., SPINNER
4	22002023	3	WASHER, PLASTIC
5	6-2717080	1	SPINNER ASSY. (W/BALANCE RING)
6	22002482	3	WASHER, PROFILE
7	22002020	3	WASHER, SPINNER SUPPORT
8	2207454	3	NUT, SPINNER ATTACHMENT
9	22001985	3	BAFFLE, DRIP (REAR)
10	22002009	3	GROMMET, BAFFLE (REAR)
11	22001999	3	GROMMET, BAFFLE (FRT)
12	22003556	6	SCREW, BAFFLE (REAR)
13	22001986	3	BAFFLE, DRIP (FRONT)
14	22002059	6	SCREW, BAFFLE (FRONT)
15	NLA		PART NEVER USED IN PRODUCTION
15	NLA	1	SCREW, BALANCE RING
16	22002077	13	SEAL, TUB COVER
17	22002050	1	CLIP, TUB TO COVER
18	22003212	1	COVER, TUB (W/SEAL) (ASP)
18	22003212	1	COVER, TUB (W/SEAL) (ASP)--W
19	12002533	1	KIT, DOOR BOOT W/DRAIN
19	12002533	1	BOOT, DOOR
20	22002327	1	WIRE, BOOT CLAMP
21	22003074	1	GUARD, HOSE
22	22003072	1	CLAMP, HOSE DOUBLE WIRE
23	22004477	1	DOOR BOOT DRAIN HOSE
24	596669	1	CLAMP, HOSE DOUBLE WIRE



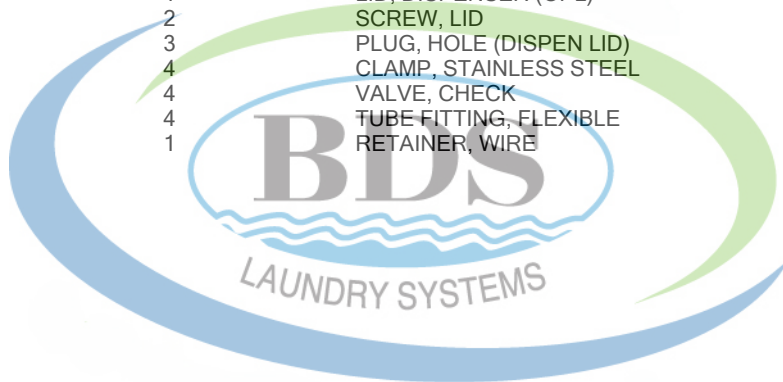


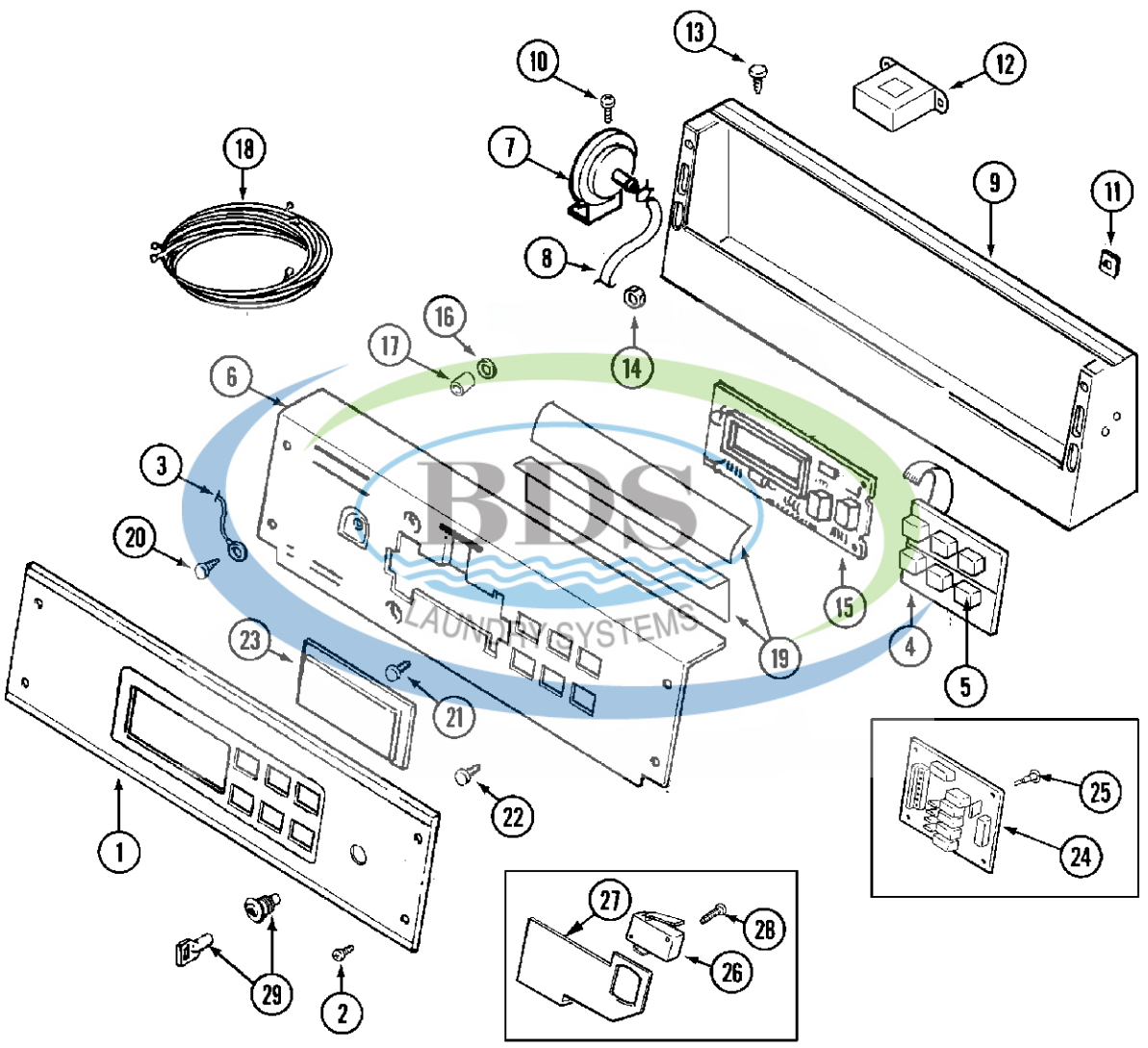
Ref #	Part Number	Qty.	Description
1	22003435	1	BASE
1	NLA	1	BASE WELD ASSEMBLY
2	22003298	5	RETAINER, WIRE
3	90767	1	SCREW, WIRE HARNESS CLIP
4	308605	1	CLIP, WIRE HARNESS
5	22003059	1	PUMP, DRAIN (80 WATT)
6	8563585	4	ADJUSTABLE LEG & NUT
7	Y052740	4	NUT
8	210684	4	FOOT, RUBBER
9	22001988	1	STRUT ASSY-REAR
10	596669	1	HOSE CLAMP (1-1/16 INCH)
11	NLA	1	HOSE, OUTLET W/FILTER (6 1/2``)
11	NLA	1	HOSE, OUTLET (TUB)
12	NLA	1	BRACKET, PUMP MOUNT
13	202515	1	CLAMP, HOSE (PUMP/HOSE)
13	22002792	1	PUMP (RECIRCULATION)
13	NLA	1	PAD, RECIRCULATION PUMP





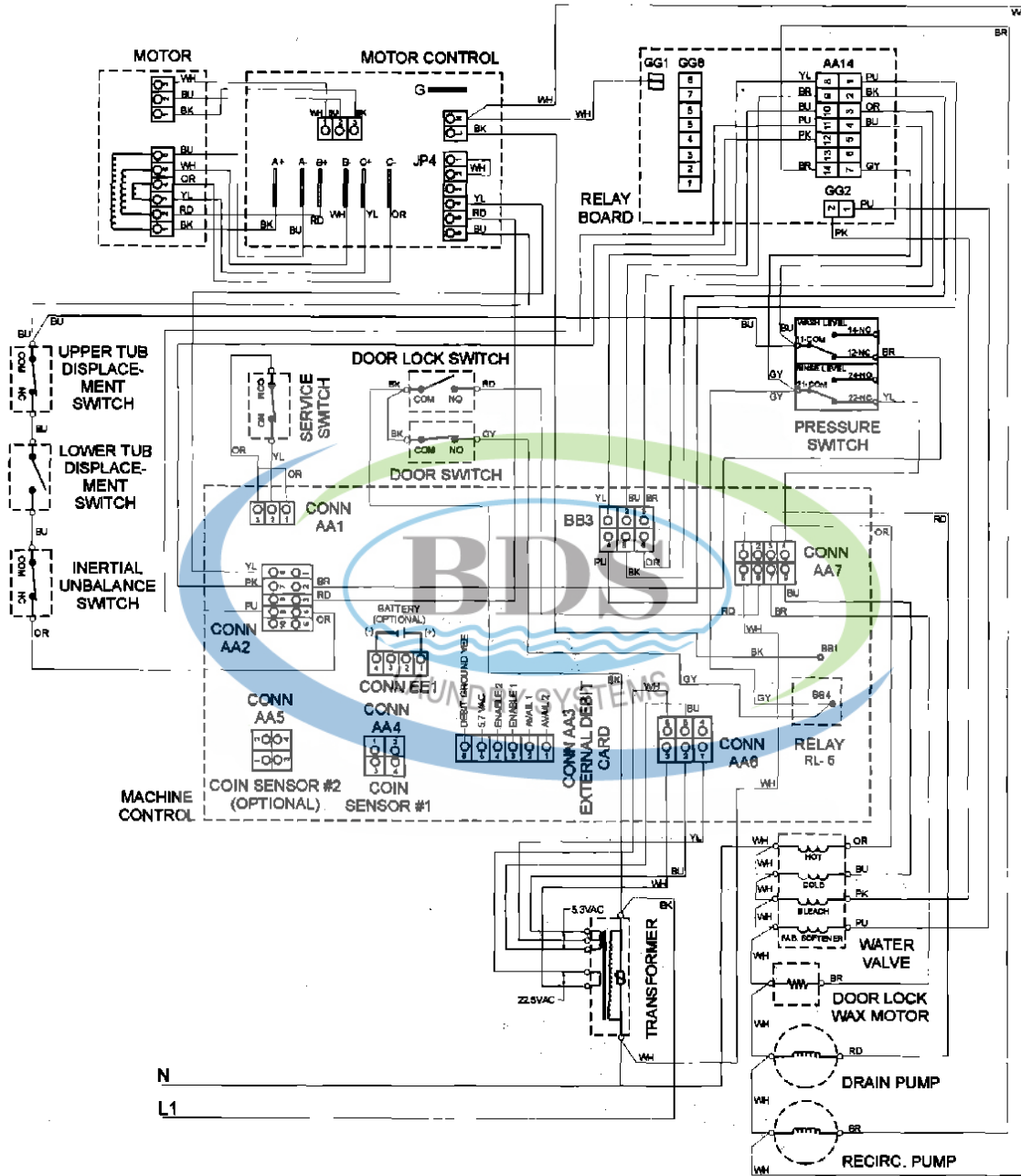
Ref #	Part Number	Qty.	Description
1	NLA	1	COVER, TOP (WHT)
1	NLA	1	COVER, TOP (WHT-AS PK)
2	489503	4	CLAMP, HOSE
3	22002941	1	LID, DISPENSER
4	22003665	1	BEZEL, DISPENSER
5	6-912678	1	PIN, HINGE (LONG)
6	Y912679	1	PIN, HINGE (SHORT)
7	400021-1	4	SCREW, DISPENSER BEZEL
8	22001984	1	CLAMP, DRAIN HOSE
9	NLA	1	CAP
10	NLA	1	FLUME, DISPENSER
11	90767	1	SCREW, WIRE TIE
11	74007164	2	WIRE TIE, TWIST LOCK
12	22003062	1	CORD, POWER
13	NLA	1	GROMMET, CORD
14	489128	1	SCREW, POWER CORD & GROUND
15	NLA	1	HOSE, BLEACH
16	NLA	1	HOSE, FABRIC SOFTENER----NA
17	NLA	1	HOSE, DETERGENT
18	12001558	1	DISPENSER BOTTOM
19	22002266	1	CAP, SIPHON
20	22002265	1	CUP, SIPHON
21	NLA	1	CHEMICAL INJECT.DISPENSER ASSY
22	22003017	4	TUBING (12")
23	22002909	1	LID, DISPENSER (OPL)
24	3400806	2	SCREW, LID
25	22002911	3	PLUG, HOLE (DISPEN LID)
26	596669	4	CLAMP, STAINLESS STEEL
27	22003019	4	VALVE, CHECK
28	22002908	4	TUBE FITTING, FLEXIBLE
28	33001989	1	RETAINER, WIRE





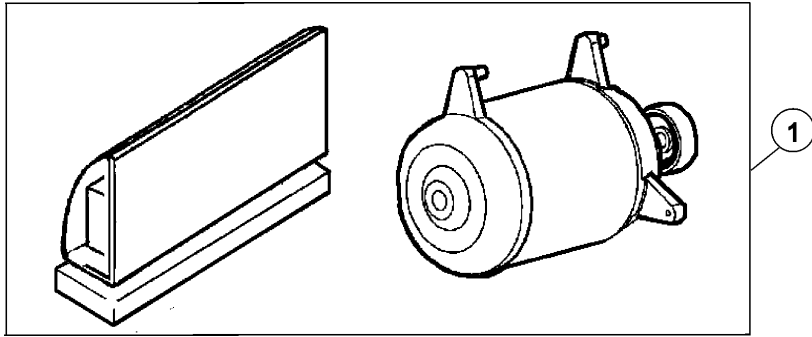
Ref #	Part Number	Qty.	Description
1	NLA	1	PANEL, CONTROL
2	W10131119	4	SCREW, CONTROL PANEL
3	NLA	1	WIRE, GROUND
4	W10135389	1	CONTROL SWITCH ASSEMBLY
4	W10756178	2	SCREW, CONTROL SWITCH
5	W10424308	2	PUSHBUTTON, CONTROL SWITCH
6	NLA	1	SWITCH & BACK BRKT ASY. (WHT)
7	NLA	1	SWITCH, PRESSURE
8	22002010	1	HOSE, PRESSURE SWITCH
9	NLA	1	CONSOLE (WHT)
10	3370225	5	SCREW, CONSOLE
11	NLA	2	FASTENER, SCREW
12	22001960	1	TRANSFORMER
13	NLA	2	SCREW, TRANSFORMER
14	74005230	2	NUT, TRANSFORMER
15	22003700	1	BOARD, CONTROL
16	M0282005	6	LOCKNUT, CONTROL BOARD
17	NLA	4	STANDOFF, CIRCUIT BOARD
18	NLA	1	HARNESS, WIRE
18	NLA	1	HARNESS, SERVICE
19	NLA	1	DEFLECTOR, WATER (W/ADHESIVE)
20	211252	1	SCREW, GROUND WIRE
21	NLA	2	SCREW, CIRCUIT BOARD
22	215527	2	SCREW, BACK BRACKET
23	W10131114	1	COVER, DISPLAY
24	NLA	1	BOARD, RELAY
25	NLA	4	STAND-OFF
26	NLA	1	SWITCH, SENSOR
27	NLA	1	BRACKET, SWITCH MOUNTING
28	NLA	2	SCREW, SWITCH
29	W10133266	1	LOCKING TAB (CAM)
29	W10133264	1	LOCK



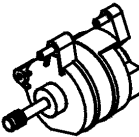

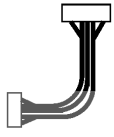
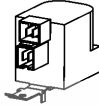






Ref #	Part Number	Qty.	Description
1	NLA	1	WIRING INFORMATION

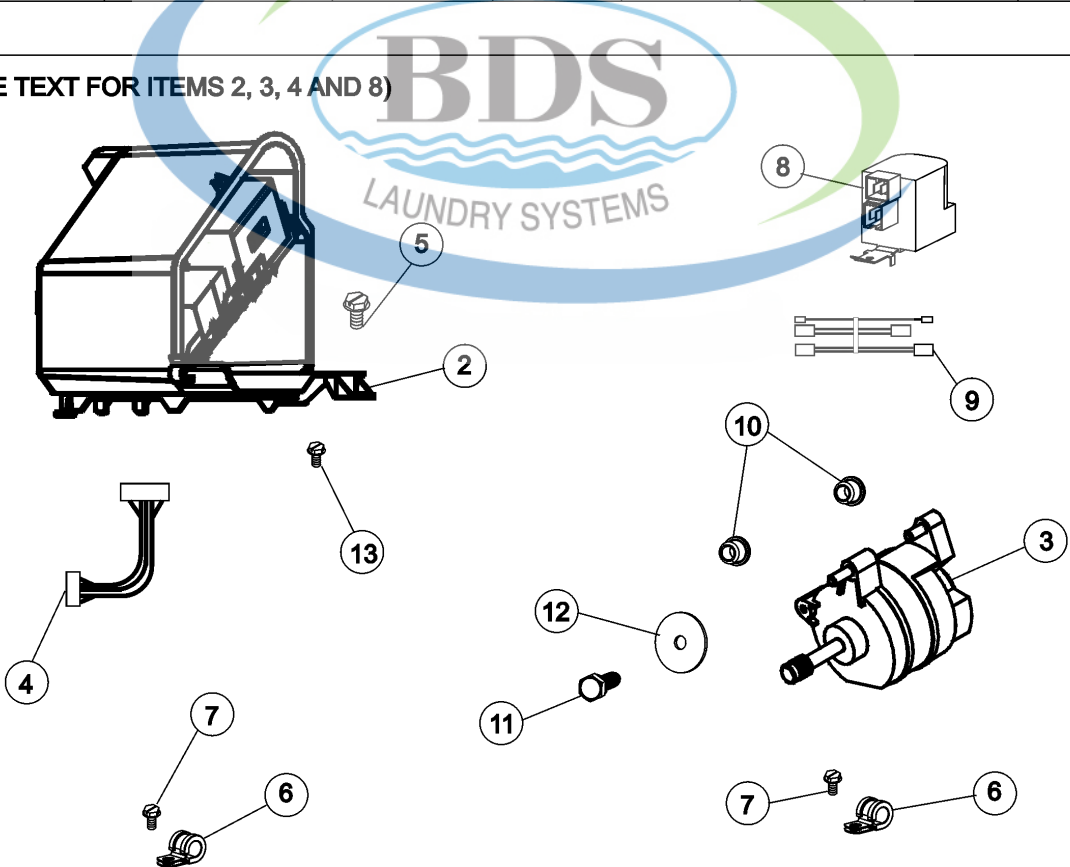




ITEM 1
KIT CONTAINS:

 120002040 MOTOR W/ISOLATORS	 22004046 MOTOR CONTROL BOARD	 22004047 MOTOR HARNESS	 22003854 AC LINE FILTER	 22004102 "P" CLIPS (2)	 22002300 SCREW "P" CLIPS TO MOTOR	 22004101 LOWER JUMPER WIRE HARNESS	 22004103 SCREW GROUND
---	--	--	---	--	--	---	---

(SEE TEXT FOR ITEMS 2, 3, 4 AND 8)



Ref #	Part Number	Qty.	Description
1	12002039	1	NEPTUNE MOTOR CONVERSION KIT
2	22004046	1	CONTROL ASSY., MOTOR
3	22003856	1	MOTOR, VARIABLE SPEED
4	22004212	1	HARNESS, MOTOR/MOTOR CONTROL
5	1163839	2	SCREW (No.10-3/8``)
6	22004102	2	P CLIPS
7	9740848	2	SCREW
8	22003858	1	EMI SUPPRESSION FILTER, 12A
9	22004101	1	REPAIR JUMPER HARNESS
10	22003329	2	ISOLATOR, MOTOR
11	22003686	1	BOLT, MOTOR
12	NLA	1	WASHER, STRUT
13	NLA	1	SCREW

