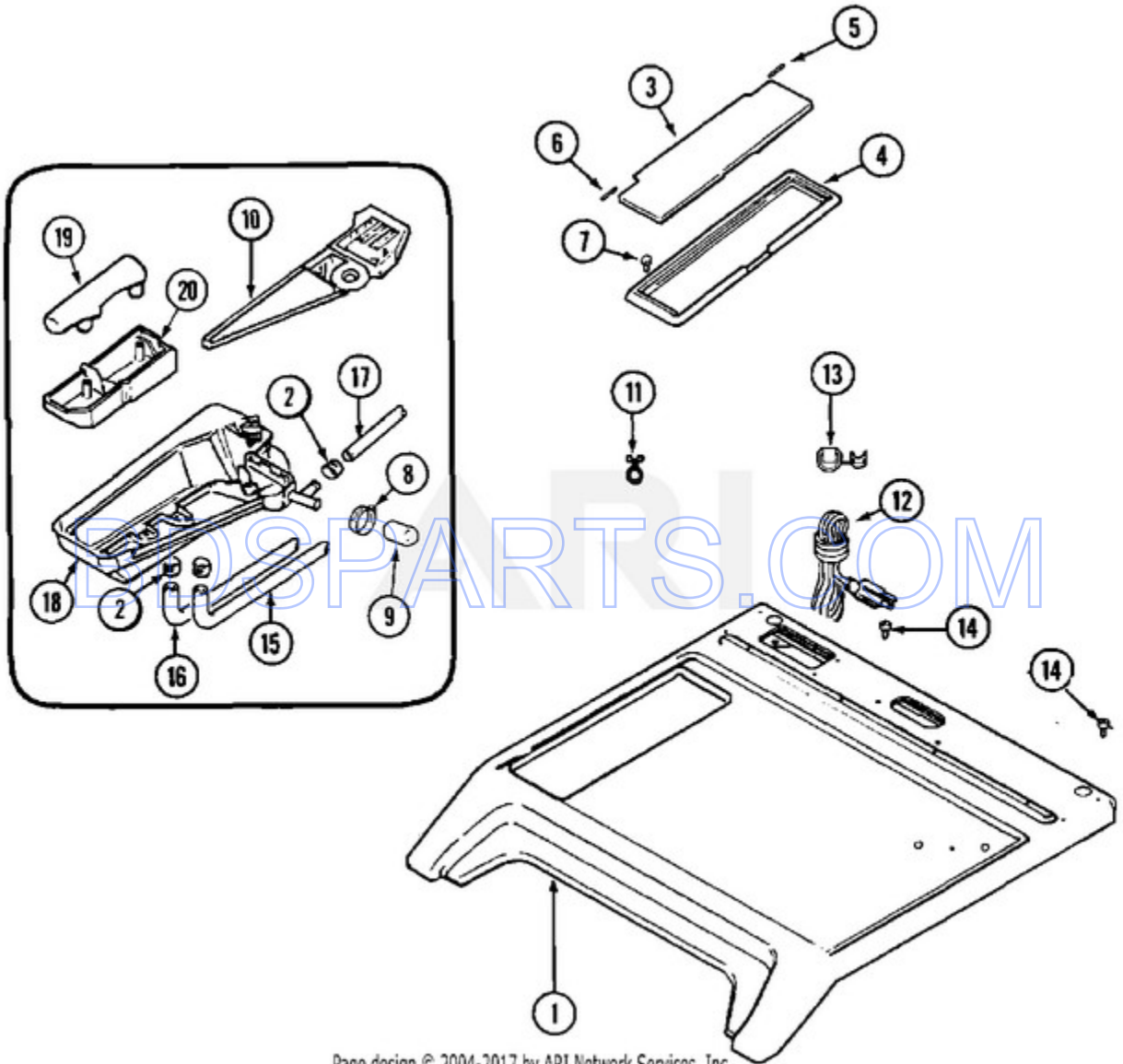
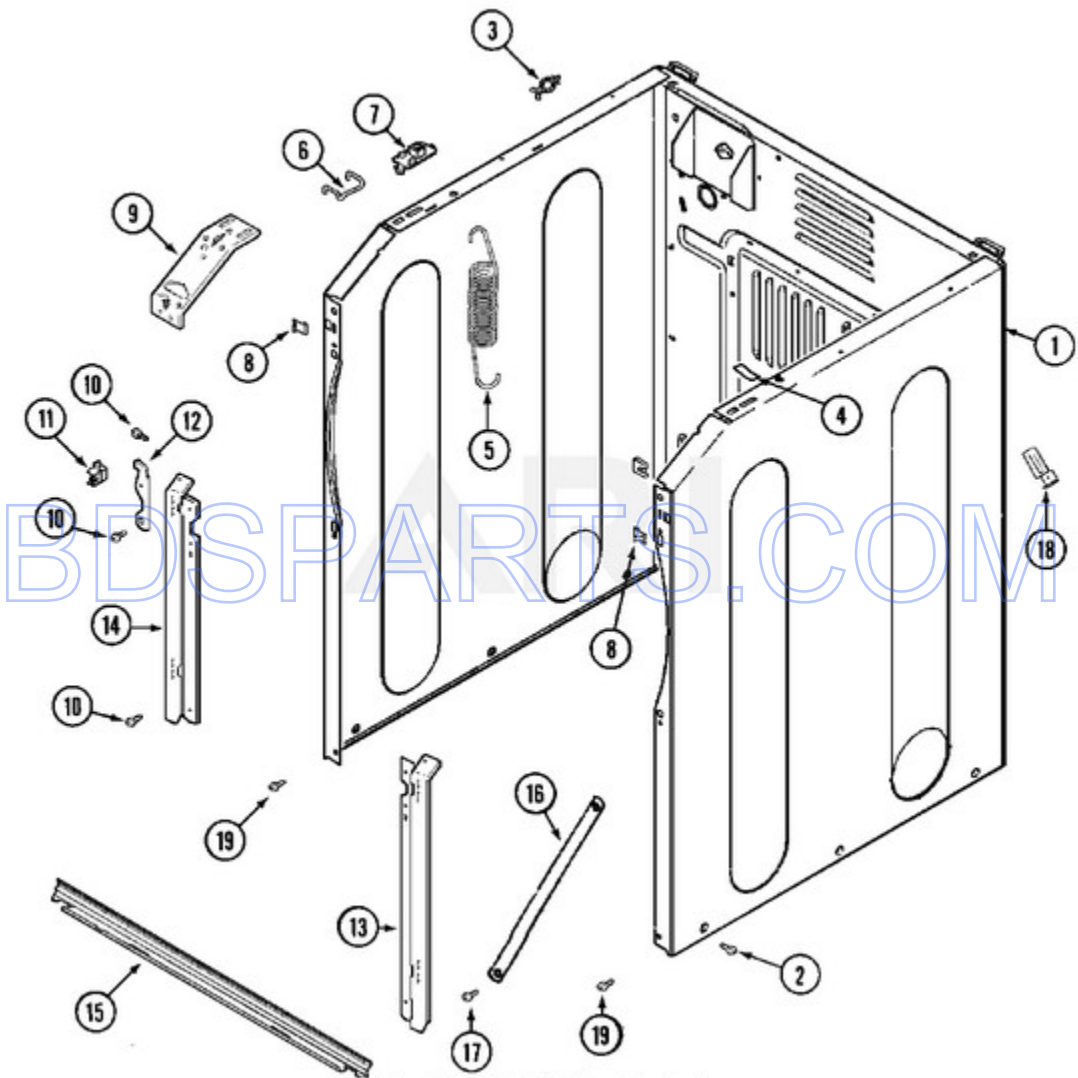


MAH20PRAWW - 01 - TOP



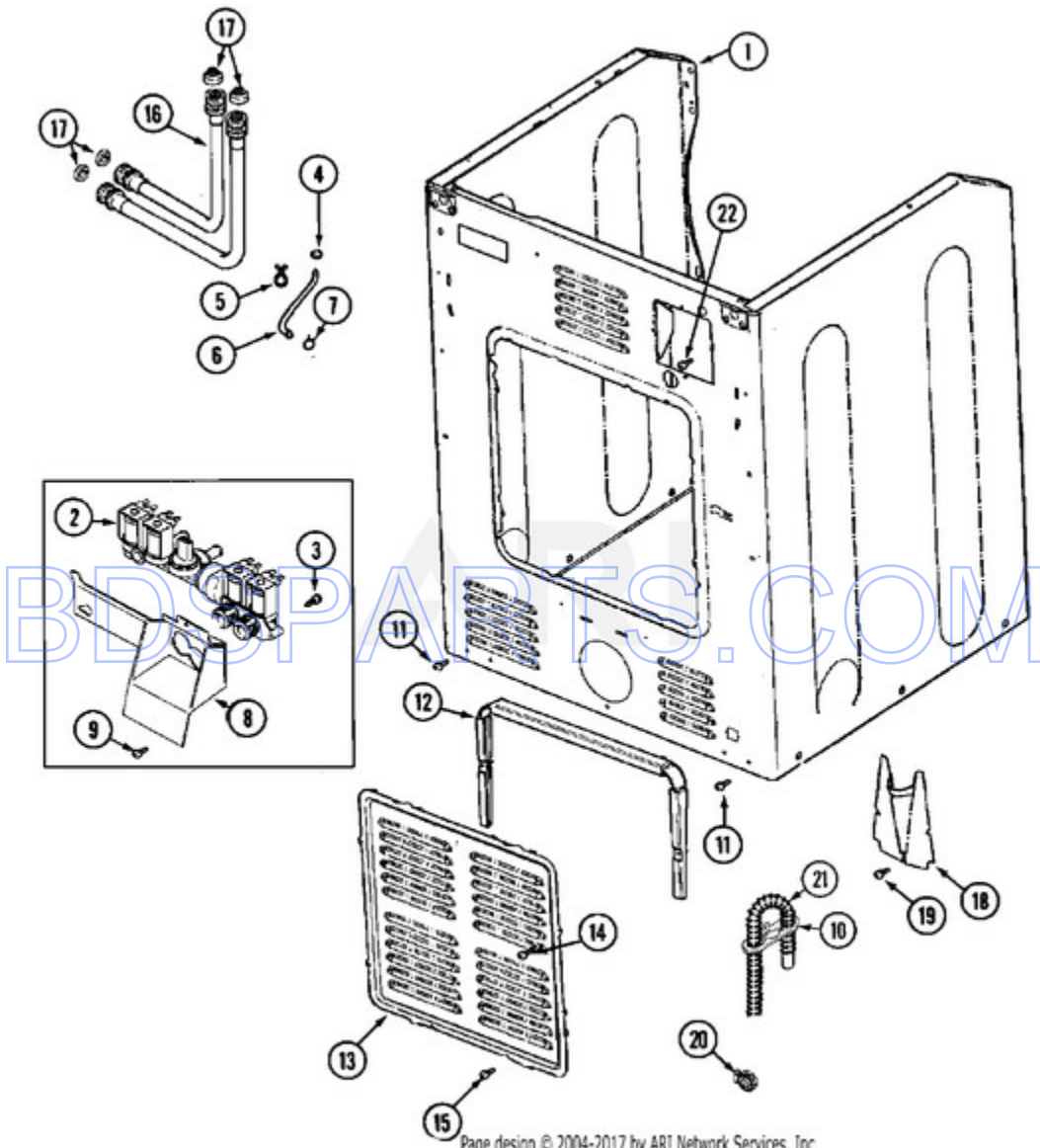
Ref #	Part #	Description	Qty	Context	Note	MSRP
1	22002116	COVER, TOP (WHT)	1	Series	10	
1	22002666	COVER, TOP (BSQ)	-	Series	10	
1	22003584	COVER, TOP (WHT-AS PK)	-	Series	67	
1	22003586	COVER, TOP (WHT-AS PK)	-	Series	67	
1	22003587	COVER, TOP (BSQ-AS PK)	-	Series	67	
1	NLA	COVER, TOP (WHT)	-	Series	10	
2	205161	CLAMP, HOSE	4	Series	10	
3	22002941	LID, DISPENSER	1	Series	10	
4	22002940	BEZEL, DISPENSER	1	Series	10	
5	Y912678	PIN, HINGE (LONG)	1	Series	10	
6	Y912679	PIN, HINGE (SHORT)	1	Series	10	
7	22002060	SCREW, DISPENSER BEZEL	4	Series	10	
8	22001984	CLAMP, DRAIN HOSE	1	Series	10	
9	22002796	CAP	1	Series	10	
10	22002555	FLUME, DISPENSER	1	Series	10	
11	212276	SCREW, WIRE TIE	1	Series	10	
11	22002027	WIRE TIE, TWIST LOCK	2	Series	10	
12	22001178	CORD, POWER	1	Series	10	
13	211881	GROMMET, CORD	1	Series	10	
14	912365	SCREW, POWER CORD & GROUND	1	Series	10	
15	22002551	HOSE, BLEACH	1	Series	10	
16	22002552	HOSE, FABRIC SOFTENER----NA	1	Series	10	
17	22002553	HOSE, DETERGENT	1	Series	10	
18	22002554	BOTTOM, DISPENSER	1	Series	10	
19	22002266	CAP, SIPHON	1	Series	10	
20	22002265	CUP, SIPHON	1	Series	10	

MAH20PRAWW - 02 - CABINET-FRONT



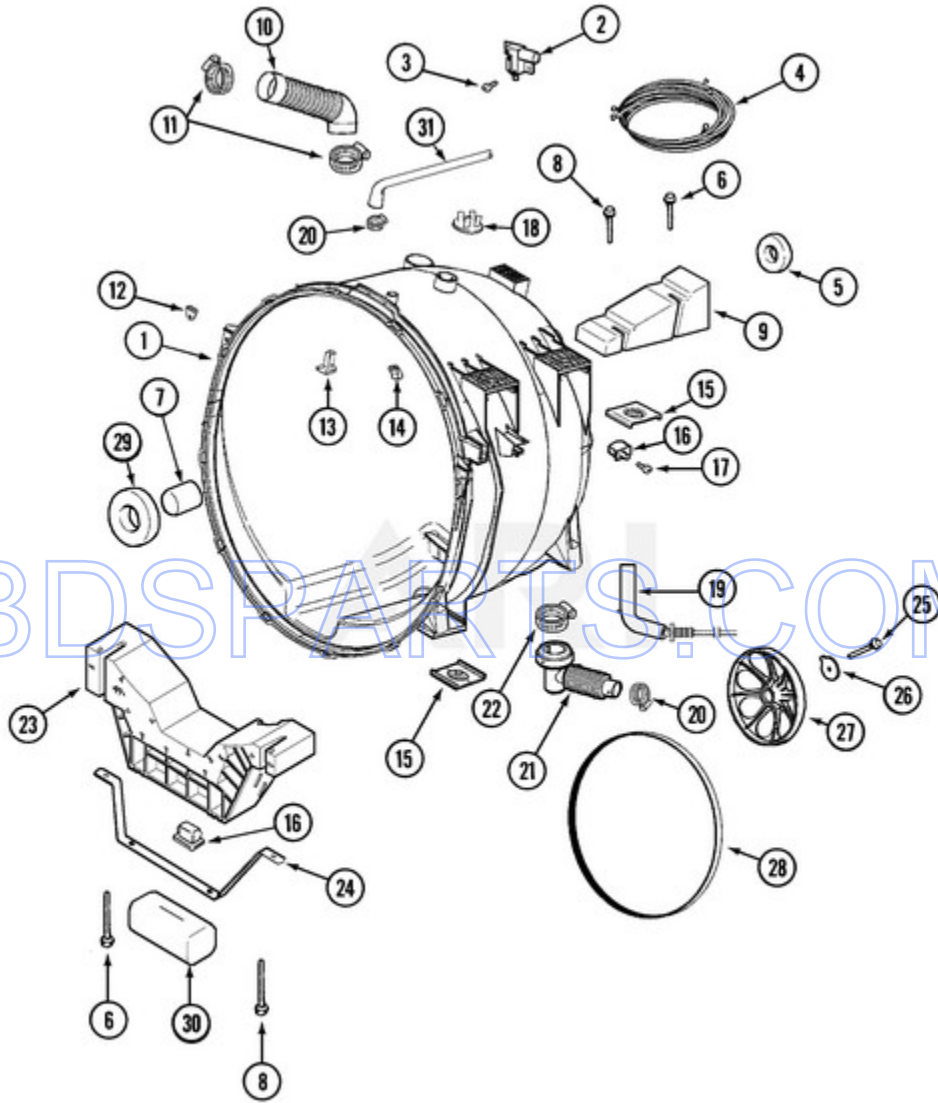
Ref #	Part #	Description	Qty	Context	Note	MSRP
1	22002293	INSULATION, CABINET (ONE ON EACH SIDE)	2	Series 10		
1	22003639	CABINET ASSY. (WHT AS PK)	-	Series 72		
1	NLA	CABINET ASSY. (WHT)	1	Series 10		
2	213007	SCREW, CABINET	6	Series 10		
2	22003409	SCREW, CABINET (TRUSS)	6	Series 67		
3	315471	RETAINER, WIRE	2	Series 10		
4	33001836	STRAP, TOP COVER SUPPORT	1	Series 10		
5	22002100	SPRING	2	Series 10		
6	22002297	SUPPORT, SPRING	2	Series 10		
7	22001997	SPACER, TOP COVER	2	Series 10		
8	22002049	CLIP, FRONT PANEL	2	Series 10		
9	22002090	BRACE, CORNER (RT)	1	Series 10		
9	22002292	BRACE, CORNER (LT)	1	Series 10		
9	22003637	BRACE ASSEMBLY, TOP CROSS	1	Series 69		
10	22001995	SCREW, CLIP TO SECURITY HOOK	8	Series 10		
11	22002001	SUPPORT, HINGE	4	Series 10		
12	22002247	HOOK, SECURITY	2	Series 10		
13	22002034	BRACKET, SHROUD SUPPORT (RT)	1	Series 10		
14	22002035	BRACKET, SHROUD SUPPORT (LT)	1	Series 10		
15	22001993	BRIDGE, SHROUD SUPPORT	1	Series 10		
16	22002259	BRACE, CROSS	2	Series 10		
16	22003637	BRACE ASSEMBLY, TOP CROSS	1	Series 69		
17	22001995	SCREW, CROSS BRACE	2	Series 10		
18	22001996	SCREW, AIR DOME HOSE BRACKET	1	Series 10		
18	22002178	BRACKET, AIR DOME HOSE	1	Series 10		
19	22001995	SCREW, FRONT CABINET	2	Series 10		

MAH20PRAWW - 03 - CABINET-REAR



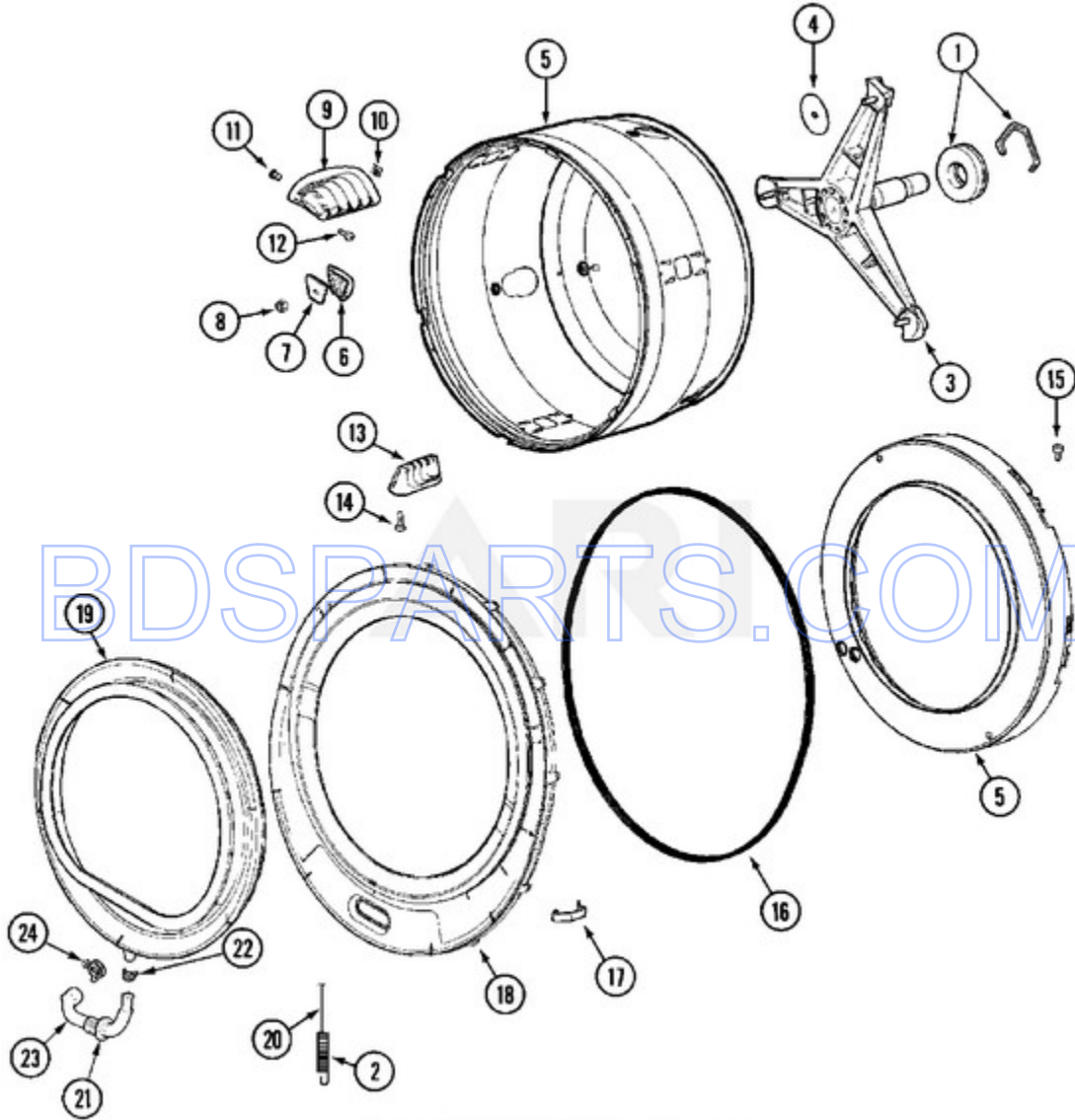
Ref #	Part #	Description	Qty	Context	Note	MSRP
1	22001995	SCREW, HINGE	-	Series	67	
1	22002444	LABEL, ENERGY	1	Series	10	
1	22002445	LABEL, SAFETY	1	Series	10	
1	22003367	HINGE, PLASTIC	-	Series	67	
1	NLA	CABINET ASSY. (WHT)	1	Series	10	
2	205161	CLAMP, HOSE (BLEACH HOSE)	3	Series	10	
2	22002944	VALVE, WATER	1	Series	10	
3	22002436	SCREW, WATER VALVE	2	Series	10	
4	22002054	CLAMP, STEPLESS	1	Series	10	
5	22002027	WIRE TIE, TWIST LOCK	2	Series	10	
6	22002179	TIE, CABLE	1	Series	10	
6	22002296	HOSE, INJECTOR	1	Series	10	
7	216169	CLAMP, INJECTOR HOSE	1	Series	10	
8	33002212	BRACKET, WATER VALVE	1	Series	10	
9	22001996	SCREW, WATER VALVE BRACKET	2	Series	10	
10	22002076	STRAP, DRAIN HOSE	1	Series	10	
11	22001995	SCREW, CABINET	2	Series	10	
12	22002022	SPACER, ACCESS PANEL	1	Series	10	
13	22002092	PANEL, ACCESS	1	Series	10	
14	22002295	SCREW, ACCESS PANEL SPACER	2	Series	10	
15	22001996	SCREW, ACCESS PANEL	2	Series	10	
16	202860	INLET HOSE ASSEMBLY	2	Series	10	
16	22002229	STRAINER	2	Series	10	
17	Y013783	WASHER, INLET HOSE	4	Series	10	
18	22002093	COVER, DRAIN HOSE	1	Series	10	
19	22001995	SCREW, DRAIN HOSE COVER	1	Series	10	
20	22001984	CLAMP, DRAIN HOSE	1	Series	10	
21	12001659	DRAIN HOSE REPLACEMENT(NEPTUN) (CORRUGATED DRAIN HOSE KIT)	1	Series	10	
21	22002891	HOSE, DRAIN (CORRUGATED)	1	Series	10	
21	22002893	TIE, CABLE	1	Series	10	
21	22002932	CLIP, DRAIN HOSE	1	Series	10	
22	NLA	SCREW, GROUND LUG	1	Series	10	
23	NLA	WASHER, GROUND LUG	1	Series	10	
24	22002892	RETAINER, DRAIN HOSE	1	Series	10	

MAH20PRAWW - 04 - OUTER TUB



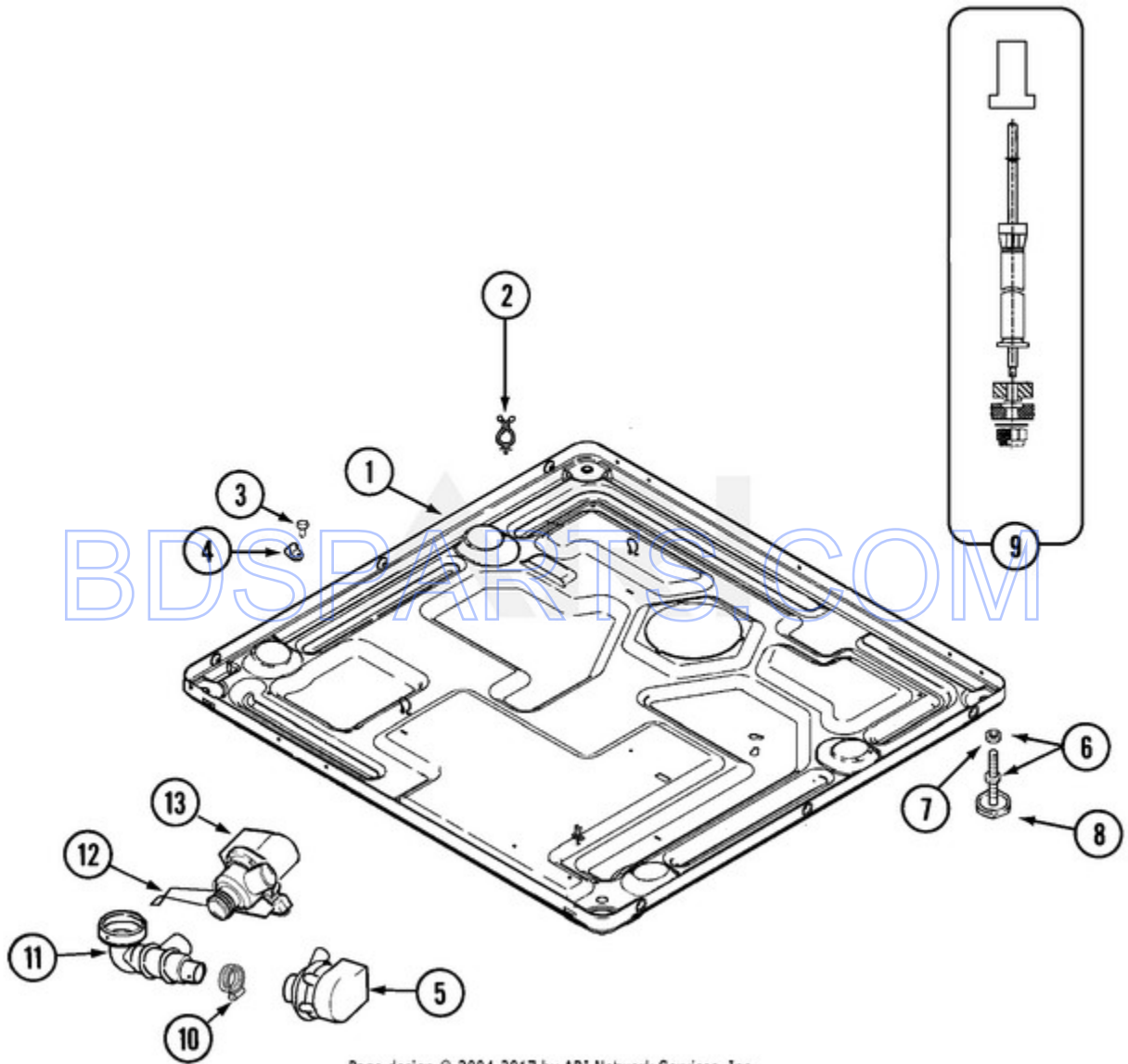
Ref #	Part #	Description	Qty	Note
1	22002154	TUB ASSY. (OUTER)	1	Series 10
2	22002045	SWITCH, INERTIAL - UNBALANCE	1	Series 10
3	22002300	SCREW	2	Series 10
4	33002216	WIRE HARNESS, UNBALANCE /COMM	1	Series 10
5	22003441	BEARING, REAR	1	Series 62
5	Y200720	BEARING, REAR	1	Series 10
6	22001991	BOLT (LONG)	2	Series 10
7	22002935	SPACER, BEARING	1	Series 10
8	22002056	BOLT (SHORT)	2	Series 10
9	22002102	WEIGHT, COUNTER BALANCE	1	Series 10
10	22002083	HOSE, INJECTOR	1	Series 10
11	22002052	CLAMP, INJECTOR HOSE	2	Series 10
12	22002103	CLIP, U	2	Series 10
13	22002004	DEFLECTOR, WATER	1	Series 10
13	22002959	DEFLECTOR, WATER	1	Series 42
14	22002006	CLIP, WIRE HARNESS & OUTER TUB	3	Series 10
15	22002065	NUT, COUNTER BALANCE	2	Series 10
16	22002044	SWITCH, TUB DISPLACEMENT	2	Series 10
17	22002061	SCREW	1	Series 10
18	22002061	SCREW, SADDLE HORN CLIP	1	Series 10
18	22002797	CLIP, HOSE (SADDLE HORN)	1	Series 10
19	22002010	HOSE, AIR DOME	1	Series 10
19	22002799	CLIP, SNAP -----S?? (AIR DOME HOSE/UPR SUB HARNESS	1	Series 10
20	202515	CLAMP, HOSE	1	Series 10
21	22002793	HOSE, OUTLET W/FILTER (6 1/2``)	1	Series 10
21	22002958	HOSE, OUTLET (TUB)	1	Series 42
22	22002053	CLAMP, SUMP HOSE	1	Series 10
23	22002579	WEIGHT ASSEMBLY (FRT)	1	Series 10
24	22002008	STRAP	1	Series 10
25	22002057	SCREW, SPINNER	1	Series 10
26	22002055	WASHER, SPINNER SHAFT	1	Series 10
27	22001998	PULLEY, SPINNER	1	Series 10
28	12001435	BELT KIT, DRIVE	1	Series 10
29	22002934	BEARING, FRONT	1	Series 10
30	22002011	CUSHION	1	Series 10
31	22002027	WIRE TIE, TWIST LOCK (UPR SUB HARNESS TO HOSE)	3	Series 10
31	22002791	HOSE/CLIP ASSY.(RECIRCULATION)	1	Series 10

MAH20PRAWW - 05 - SPINNER ASSEMBLY & OUTER TUB COVER



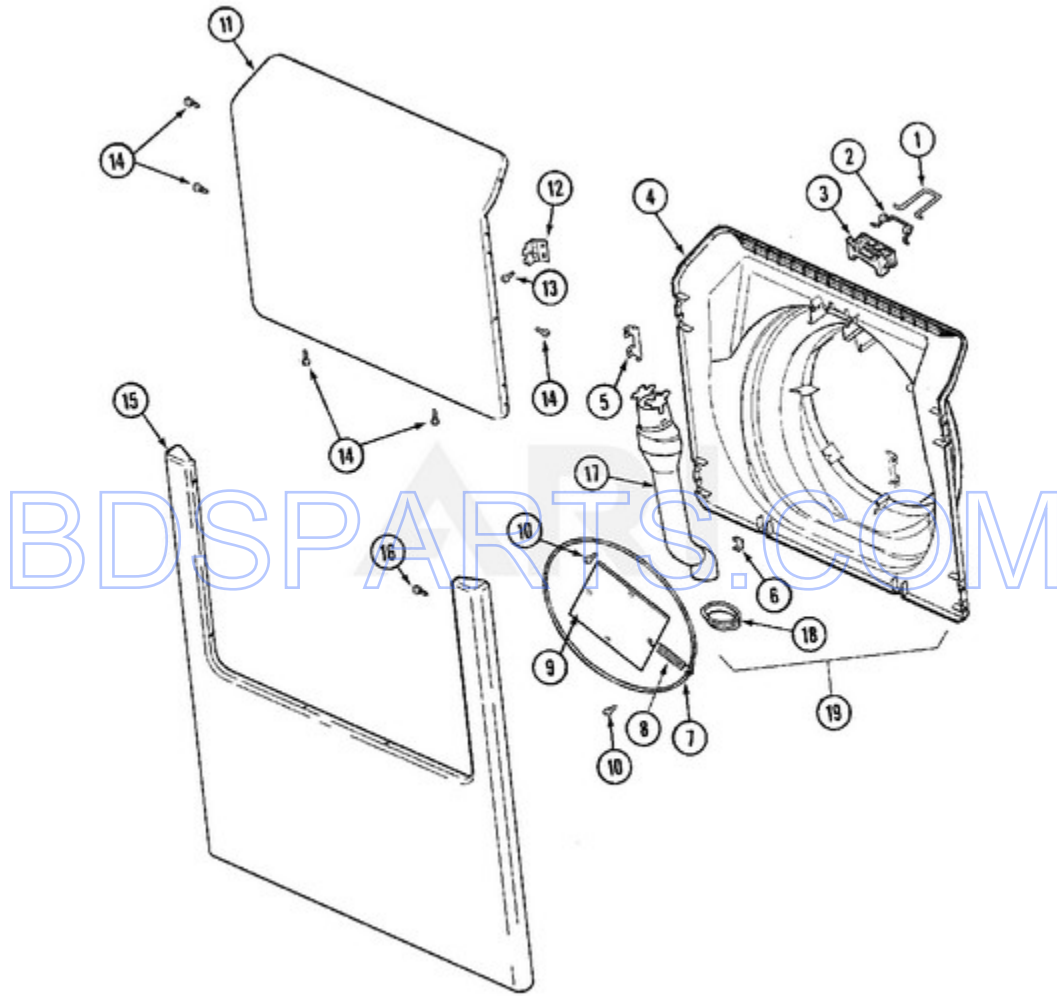
Ref #	Part #	Description	Qty	Note
1	12001478	LIP SEAL SVC ASSY.		1 Series 10
2	22002099	SPRING, TUB		1 Series 10
3	22002123	TUBE, MOLYKOTE		1 Series 10
3	22002897	SUPPORT ASSY., SPINNER		1 Series 10
4	22002023	WASHER, PLASTIC		3 Series 10
5	22002115	SPINNER ASSY. (W/BALANCE RING)		1 Series 10
6	22002021	WASHER, PROFILE		3 Series 10
7	22002020	WASHER, SPINNER SUPPORT		3 Series 10
8	22002122	NUT, SPINNER ATTACHMENT		3 Series 10
9	22001985	BAFFLE, DRIP (REAR)		3 Series 10
10	22002009	GROMMET, BAFFLE (REAR)		3 Series 10
11	22001999	GROMMET, BAFFLE (FRT)		3 Series 10
12	22002325	SCREW, BAFFLE (REAR)		6 Series 10
13	22001986	BAFFLE, DRIP (FRONT)		3 Series 10
14	22002059	SCREW, BAFFLE (FRONT)		6 Series 10
15	22002028	PART NEVER USED IN PRODUCTION		
15	NLA	SCREW, BALANCE RING		1 Series 10
16	22002077	SEAL, TUB COVER		13 Series 10
17	22002050	CLIP, TUB TO COVER		1 Series 10
18	22002238	COVER, TUB (W/SEAL)		1 Series 10
18	22002961	COVER, TUB (W/SEAL) (ASP)		1 Series 42
18	22003074	GUARD, HOSE		1 Series 53
18	22003212	COVER, TUB (W/SEAL) (ASP)--W		1 Series 53
19	12001772	KIT, DOOR BOOT W/DRAIN		1 Series 53
19	22001978	BOOT, DOOR		1 Series 10
20	22002105	WIRE, BOOT CLAMP		1 Series 10
21	22003074	GUARD, HOSE		1 Series 10
22	Y22003072	CLAMP, HOSE DOUBLE WIRE		1 Series 10
23	22003071	DOOR BOOT DRAIN HOSE		1 Series 10
24	22003073	CLAMP, HOSE DOUBLE WIRE		1 Series 10

MAH20PRAWW - 06 - BASE



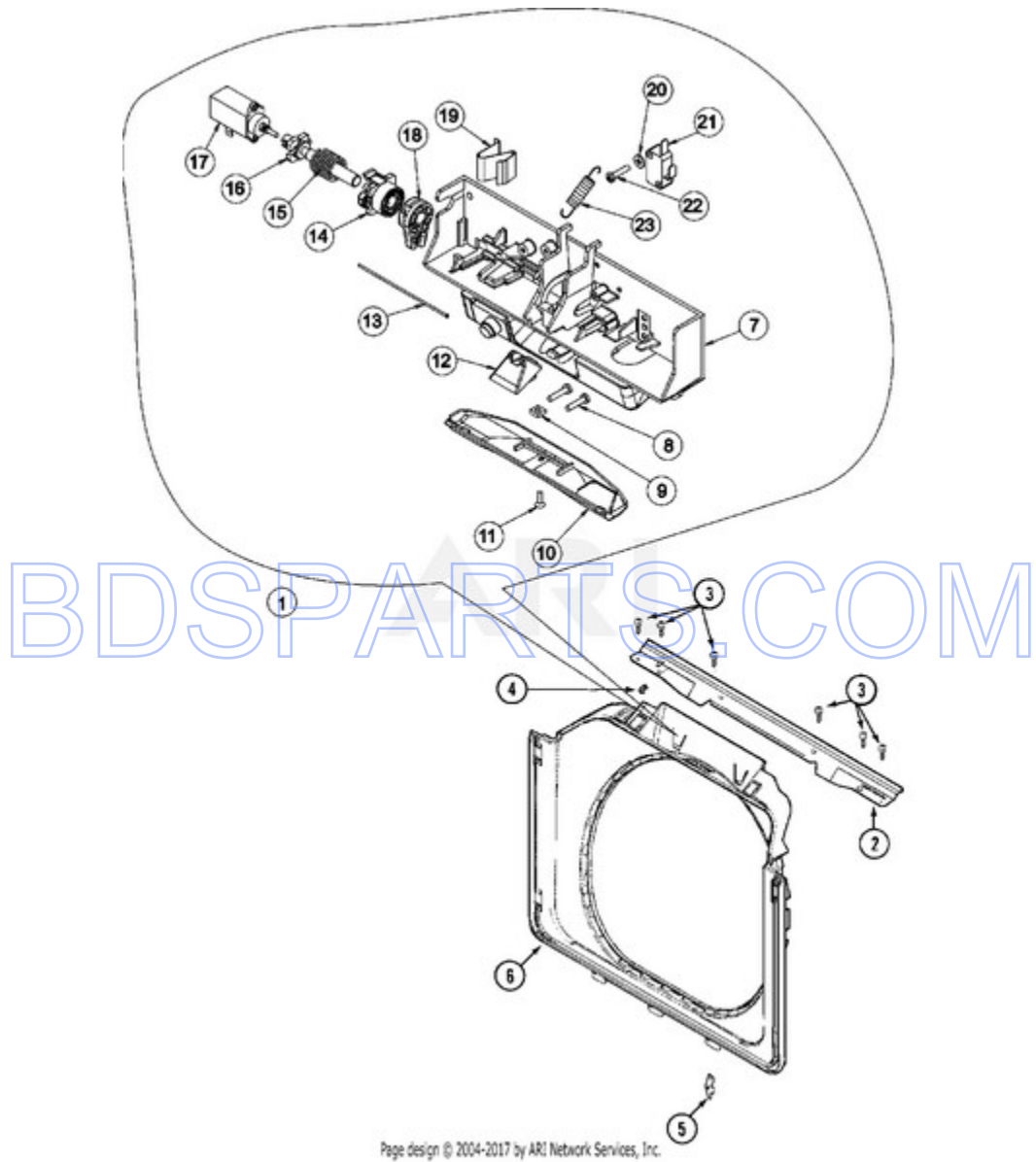
Ref #	Part #	Description	Qty	Context	Note	MSRP
1	22002240	BASE	1	Series	10	
1	22003580	BASE, ASSEMBLY	-	Series	67	
1	22003605	BASE WELD ASSEMBLY	1	Series	72	
2	315471	RETAINER, WIRE	5	Series	10	
3	212276	SCREW, WIRE HARNESS CLIP	1	Series	10	
4	22002014	CLIP, WIRE HARNESS	1	Series	10	
5	22002939	PUMP, DRAIN (80 WATT)	1	Series	10	
5	22003059	PUMP, DRAIN (80 WATT)	1	Series	49	
6	22001915	ADJUSTABLE LEG & NUT	4	Series	10	
7	Y052740	NUT	4	Series	10	
8	210684	FOOT, RUBBER	4	Series	10	
9	22001988	STRUT ASSY-REAR	1	Series	10	
10	202515	HOSE CLAMP (1-1/16 INCH)	1	Series	10	
11	22002793	HOSE, OUTLET W/FILTER (6 1/2`)	1	Series	10	
11	22002958	HOSE, OUTLET (TUB)	1	Series	42	
12	22002790	BRACKET, PUMP MOUNT	1	Series	10	
13	202515	CLAMP, HOSE (PUMP/HOSE)	1	Series	10	
13	22002792	PUMP (RECIRCULATION)	1	Series	10	
13	22003284	PAD, RECIRCULATION PUMP	1	Series	10	

MAH20PRAWW - 07 - DOOR & FRONT PANEL



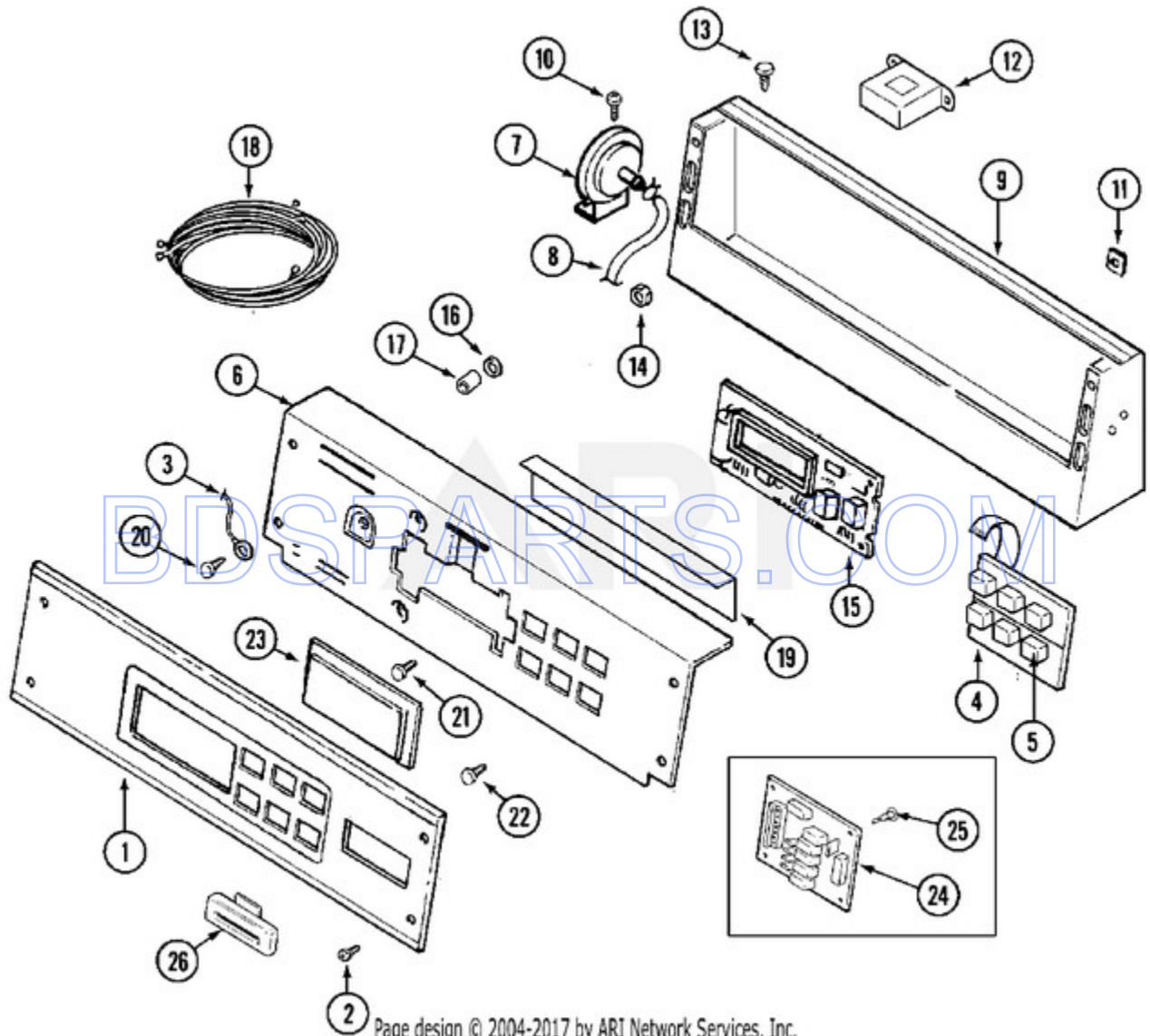
Ref #	Part #	Description	Qty	Context Note	MSRP
1	22002002	HOOP, LOCK	1	Series 10	
2	22002003	SPRING, LATCH	1	Series 10	
3	22002168	SUPPORT, LOCK HOOP	1	Series 10	
4	22002539	DOOR, INNER (W/VENT-WHT)	1	Series 10	
4	22002615	DOOR, INNER (W/VENT-BSQ)	-	Series 10	
4	22003076	DOOR, INNER (WHT)	1	Series 50	
4	22003078	DOOR, INNER (BSQ)	-	Series 50	
4	22003800	INNER DOOR/VENTED (ASPK-WHT)	1	Series 76	
5	22002038	CLIP, DOOR (DOUBLE)	4	Series 10	
6	22002039	CLIP, DOOR (SINGLE)	4	Series 10	
7	22002104	WIRE FRAME	1	Series 10	
7	W10124350	NOT REQUIRED PART OR SEE NOTE	-	Series 65	
8	22002356	SPRING, PLATE	2	Series 10	
8	W10124350	NOT REQUIRED PART OR SEE NOTE	-	Series 65	
9	22002094	PLATE	1	Series 10	
9	W10124350	NOT REQUIRED PART OR SEE NOTE	-	Series 65	
10	22002007	SCREW	1	Series 10	
10	W10124350	NOT REQUIRED PART OR SEE NOTE	-	Series 65	
11	22001979	DOOR, OUTER (WHT-W/DAMPER)	1	Series 10	
11	22002660	(BSQ-W/DAMPER)	-	Series 10	
12	22002000	HINGE, DOOR----SUB	2	Series 10	
13	22002062	SCREW, HINGE	4	Series 10	
14	22002063	SCREW No.8-18AB WAFER HD	6	Series 10	
14	33002351	SCREW, OUTER DOOR (BSQ)	-	Series 10	
15	22002049	CLIP	2	Series 10	
15	22002663	PANEL, FRONT (BSQ)	-	Series 10	
15	22002836	PANEL, FRONT (WHT)	1	Series 10	
16	22002243	SCREW, FRONT PANEL & HINGE	4	Series 10	
16	22002244	CLIP, GROUNDING	1	Series 10	
17	22002990	VENT TUBE ASSEMBLY	1	Series 50	
18	22003075	GROMMET, VENT TUBE	1	Series 50	
19	22003083	LINER, DOOR ASSY W/VENT (WHT)	1	Series 50	
19	22003085	LINER, DOOR ASSY W/VENT (BSQ)	-	Series 50	

MAH20PRAWW - 08 - DOOR SHROUD & DOOR LATCH ASSEMBLY



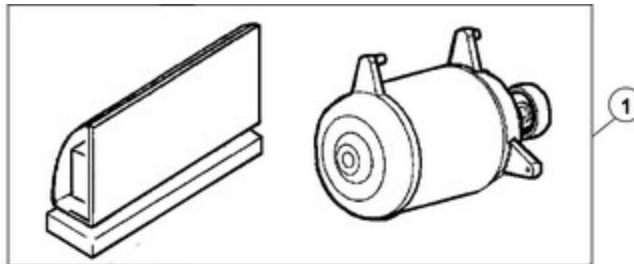
Ref #	Part #	Description	Qty	Context	Note	MSRP
1	NLA	LATCH, ASSY. (DOM/COMMERCIAL)	1	Series	10	
2	22003637	BRACE ASSEMBLY, TOP CROSS	1	Series	69	
2	33002202	SUPPORT, DOOR LOCK	1	Series	10	
5	33002349	COVER, HINGE HOLE (BSQ)	-	Series	75	
6	22002234	SHROUD & DISPENSER HOSE (WHT)	1	Series	10	
7	NLA	SWITCH, DOOR	1	Series	10	
8	22003719	SCREW, LATCH	2	Series	10	
9	22003720	NUT, LATCH	1	Series	10	
10	22002957	COVER, LATCH ASSEMBLY (LWR)	1	Series	10	
13	22002164	CABLE, DOOR	1	Series	10	
18	22003716	ROTATING GEAR, LATCH	1	Series	10	
20	22001352	SCREW, CHECK SWITCH	1	Series	10	
21	22002165	WASHER, DOOR LOCK SWITCH	1	Series	10	
23	22002158	SPRING, GEAR RETURN	1	Series	10	
19	22003717	SPRING, LATCH	1	Series	10	
16	22003718	AXLE, LATCH	1	Series	10	
11	22002435	SCREW	1	Series	10	
15	22003721	SPRING, AXLE / LATCH	1	Series	10	
3	22001995	SCREW, DOOR LOCK SUPPORT	6	Series	10	
14	22003715	SLIDING GEAR, LATCH	1	Series	10	
4	22002014	CLIP, WIRE HARNESS	1	Series	10	
5	33001846	SCREW	2	Series	75	
17	22002119	MOTOR, WAX	1	Series	10	
5	33001764	COVER, HINGE HOLE (WHT)	2	Series	75	
22	22002162	SWITCH, DOOR LOCK SPIN ENABLE	1	Series	10	
5	22002095	COVER, HINGE (WHT)	2	Series	10	
12	22003055	RAMP, DOOR HOOP	1	Series	10	
7	22003722	SWITCH HOLDER ASSY, LATCH	1	Series	10	

MAH20PRAWW - 09 - CONTROL PANEL (MAH20PRAWW)







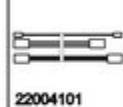



Ref #	Part #	Description	Qty	Context Note	MSRP
1	22002352	PANEL, CONTROL	1	Series 10	
2	215506	SCREW, CONTROL PANEL	4	Series 10	
3	205810	WIRE, GROUND	1	Series 10	
4	206808	CONTROL SWITCH ASSEMBLY	1	Series 10	
4	215527	SCREW, CONTROL SWITCH	2	Series 10	
5	215517	PUSHBUTTON, CONTROL SWITCH	2	Series 10	
6	22002347	SWITCH BRKT & BACK BRKT (WHT)	1	Series 10	
6	22003090	SWITCH & BACK BRKT ASY. (WHT)	1	Series 48	
7	22002048	SWITCH, PRESSURE	1	Series 10	
7	22002994	SWITCH, PRESSURE	1	Series 44	
8	22002010	HOSE, PRESSURE SWITCH	1	Series 10	
9	22003101	CONSOLE (WHT)	1	Series 48	
9	33001957	CONSOLE (WHT)	1	Series 10	
10	22001996	SCREW, CONSOLE	5	Series 10	
11	215003	FASTENER, SCREW	2	Series 10	
12	22001960	TRANSFORMER	1	Series 10	
13	211251	SCREW, TRANSFORMER	2	Series 10	
14	22001419	NUT, TRANSFORMER	2	Series 10	
15	22002953	BOARD, CONTROL	1	Series 10	
16	912077	LOCKNUT, CONTROL BOARD	6	Series 10	
17	33001204	STANDOFF, CIRCUIT BOARD	4	Series 10	
18	22001973	HARNESS, PR SERVICE	1	Series 10	
18	22002155	HARNESS KIT, READER (12``)	1	Series 10	
18	22002945	HARNESS, WIRE	1	Series 10	
19	22002954	DEFLECTOR, WATER (W/ADHESIVE)	2	Series 10	
20	211252	SCREW, GROUND WIRE	1	Series 10	
21	215526	SCREW, CIRCUIT BOARD	2	Series 10	
22	215527	SCREW, BACK BRACKET	2	Series 10	
23	22001962	COVER, DISPLAY	1	Series 10	
24	22002942	BOARD, RELAY (DRS)	1	Series 10	
25	22002943	STAND-OFF	4	Series 10	
26	22001976	BEZEL	1	Series 10	

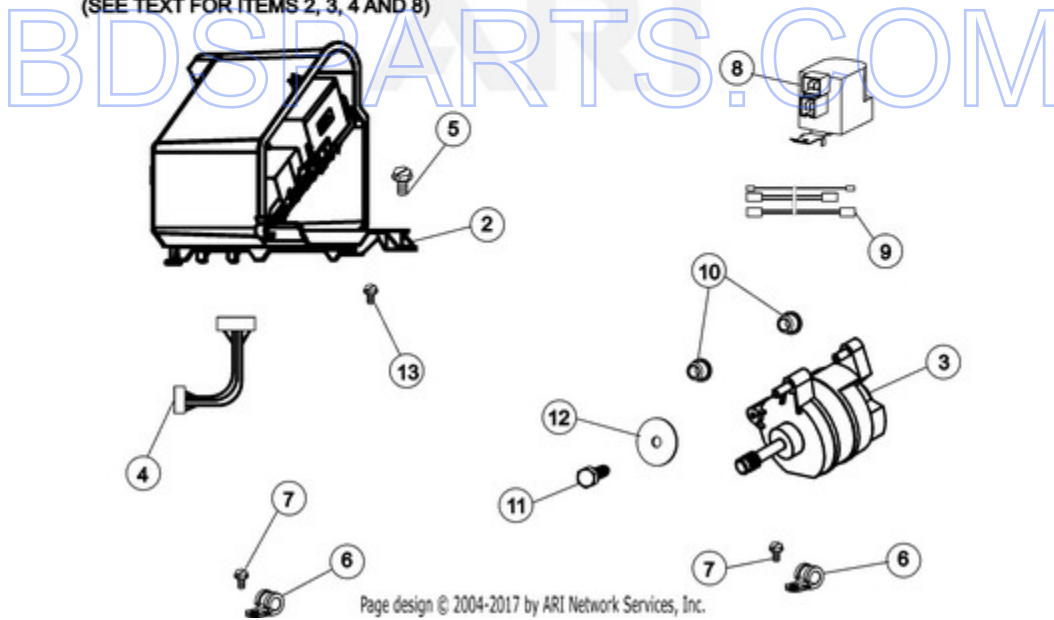
MAH20PRAWW - 11 - MOTOR & MOTOR CONTROL



ITEM 1
KIT CONTAINS:

							
120002040 MOTOR W/ISOLATORS	22004046 MOTOR CONTROL BOARD	22004047 MOTOR HARNESS	22003854 AC LINE FILTER	22004102 T" CLIPS (2)	22002300 SCREW T" CLIPS TO MOTOR	22004101 LOWER JUMPER WIRE HARNESS	22004103 SCREW GROUND

(SEE TEXT FOR ITEMS 2, 3, 4 AND 8)



Ref #	Part #	Description	Qty	Note
1	12002039	NEPTUNE MOTOR CONVERSION KIT	1	Series 10
2	22004046	CONTROL ASSY., MOTOR	1	Series 10
3	22003856	MOTOR, VARIABLE SPEED	1	Series 10
4	22004047	HARNESS, MOTOR/MOTOR CONTROL	1	Series 10
5	33002190	SCREW (No.10-3/8``)	2	Series 10
6	22004102	P CLIPS	2	Series 10
7	22002300	SCREW	2	Series 10
8	22003854	EMI SUPPRESSION FILTER, 12A	1	Series 10
9	22004101	REPAIR JUMPER HARNESS	1	Series 10
10	22003329	ISOLATOR, MOTOR	2	Series 10
11	22003686	BOLT, MOTOR	1	Series 10
12	22002320	WASHER, STRUT	1	Series 10
13	22004103	SCREW	1	Series 10

BDSPARTS.COM