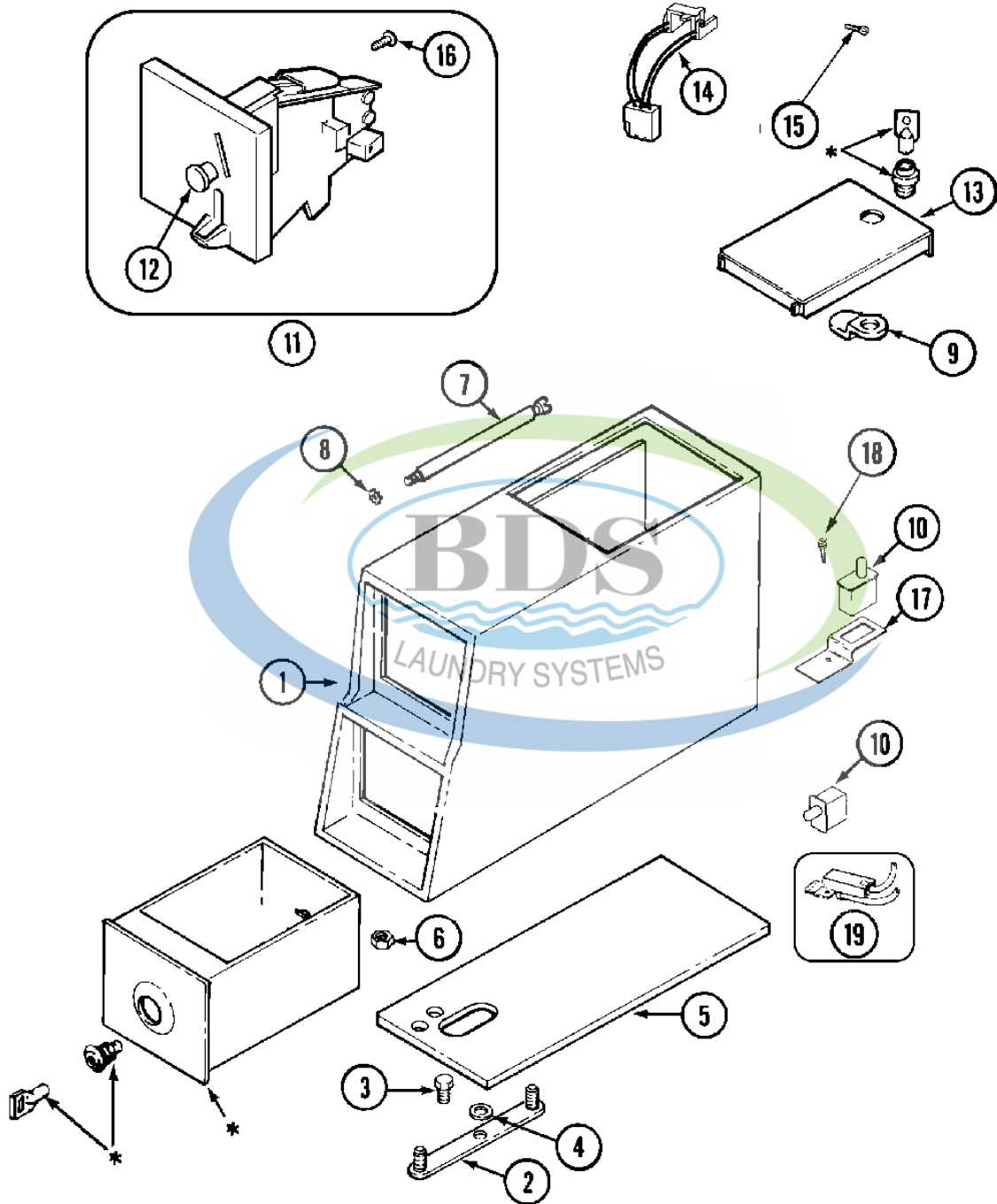


Ref #	Part Number	Qty.	Description
1	22004349	1	PANEL, CONTROL
2	W10131119	4	SCREW, CONTROL PANEL
3	NLA	1	WIRE, GROUND
4	W10135389	1	CONTROL SWITCH ASSEMBLY
4	W10756178	2	SCREW, CONTROL SWITCH
5	W10424308	2	PUSHBUTTON, CONTROL SWITCH
6	22003676	1	BRACKET, BACK (WHT)
6	NLA	-	BRACKET, BACK (BSQ)
7	90767	2	SCREW, CONSOLE TO COIN VAULT
8	NLA	-	CONSOLE (BSQ)
8	NLA	1	CONSOLE (WHT)
9	489128	5	SCREW, CONSOLE
10	NLA	2	FASTENER
11	22001960	1	TRANSFORMER
12	22002925	2	SCREW, TRANSFORMER
13	22004172	1	RELAY BOARD DRS
14	NLA	4	STANDOFF, CIRCUIT BOARD
15	22004335	1	CONTROL BOARD
15	22004335	1	CONTROL BOARD
16	M0282005	6	LOCKNUT, CONTROL BOARD
17	NLA	4	STAND-OFF
18	22002782	1	PAD, FOAM (SOUND DAMPENER)
18	NLA	1	HARNESS, WIRE
18	489128	1	No.8-32X3/8 HEX/WASH HEAD SCREW
18	22003858	1	EMI SUPPRESSION FILTER, 16A
18	22003934	1	WIRE HARNESS (MAIN)
19	NLA	2	DEFLECTOR, WATER (W/ADHESIVE)
20	489128	1	SCREW, GROUND WIRE TO BK BRKT
21	NLA	2	SCREW, CIRCUIT BOARD
22	W10424308	2	SCREW, BACK BRACKET
23	W10131114	1	COVER, DISPLAY
24	NLA	1	MANUAL-USE & CARE

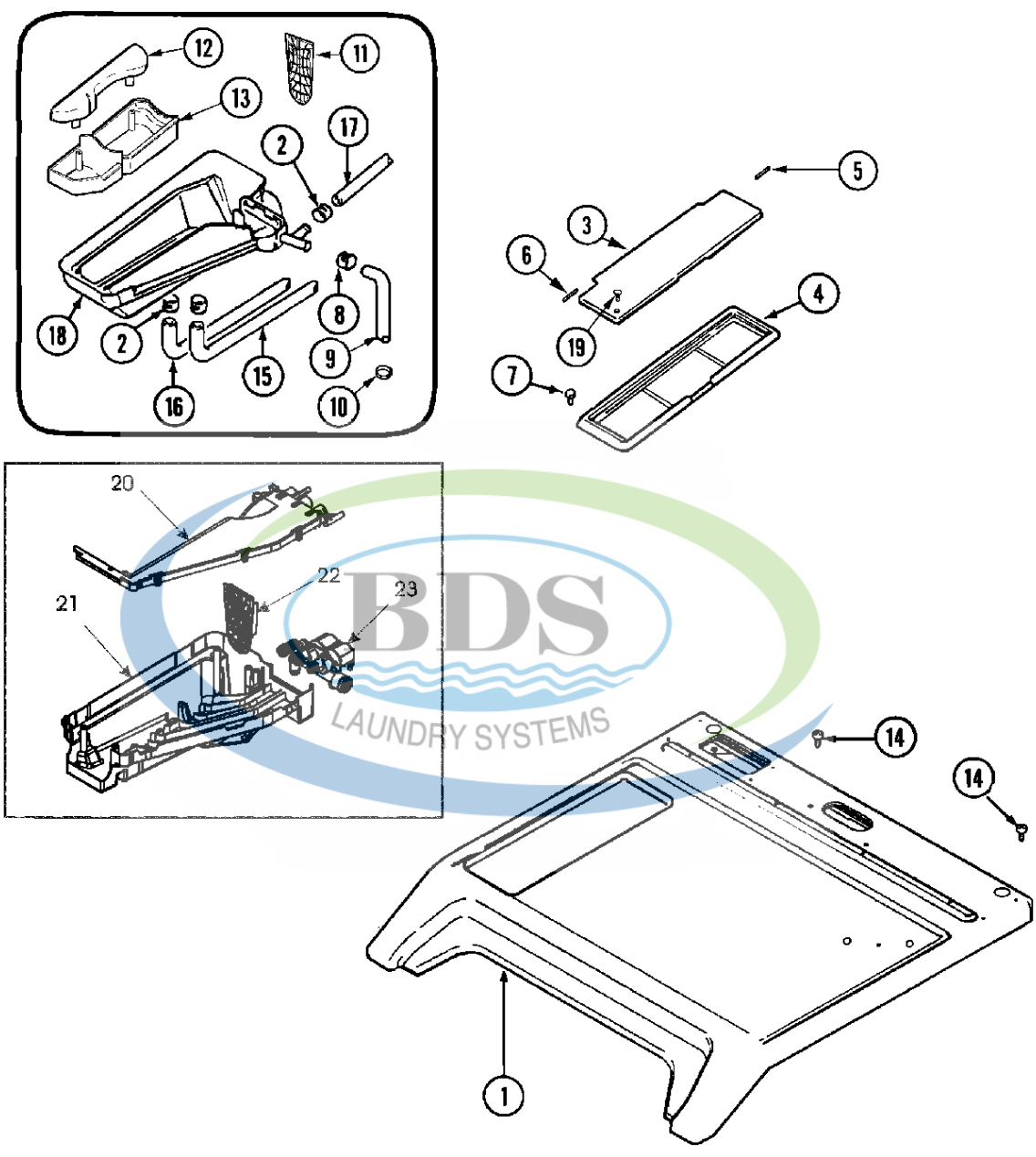




\* CONTACT YOUR COMMERCIAL LAUNDRY DISTRIBUTOR

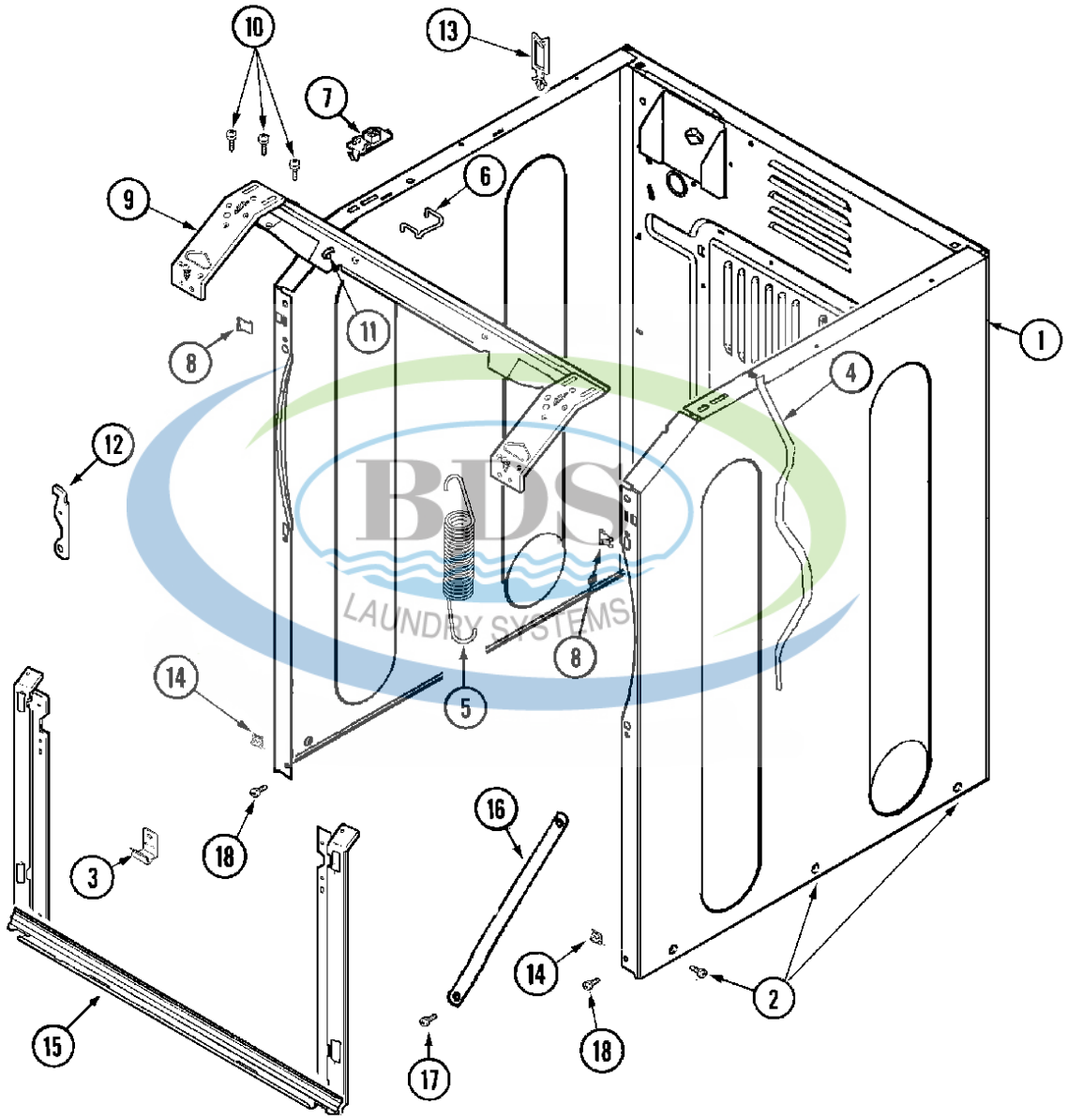
Ref #	Part Number	Qty.	Description
1	W10529176	1	VAULT, COIN (WHT)PD
1	W10529176	-	VAULT, COIN (BSQ)
2	NLA	1	STRAP, MOUNTING
3	489128	1	SCREW, MOUNTING STRAP
4	NLA	1	WASHER, STRAP SCREW
5	NLA	1	GASKET, CONTROL CENTER (WHT)
5	NLA	-	GASKET, CONTROL CENTER(BISQUE)
6	Y052740	2	NUT, CASE MOUNTING
7	8576635	2	BOLT, LOCKING
8	NLA	1	LOCK WASHER
9	22003677	1	NUT, LOCKING CAM
10	33001250	2	SWITCH, SENSOR
11	NLA	1	COIN DROP ASY (CAN)
11	NLA	1	SINGLE FACEPLATE
11	W10198395	-	COIN DROP ASY-DUAL (CAN)
11	22004112	1	ASSY, COIN DROP U.S. \$0.25
11	NLA	1	DUAL FACEPLATE
11	22004112	1	COIN DROP GREENWALD US.25
11	W10198395	-	DUAL COIN DROP ASSY-CANADA
11	NLA	-	COIN DROP GREENWALD (CAN).25
11	NLA	-	DUAL FACEPLATE ASSEMBLY
11	NLA	-	COIN DROP-CANADA (0.25)
11	NLA	-	COIN DROP-CANADA (1.00)
11	NLA	1	SINGLE FACEPLATE ASSEMBLY
12	NLA	1	FACE PLATE RETURN BUTTON
13	22003679	1	TIMER ACCESS DOOR ASSY (WHITE)
13	NLA	-	TIMER ACCESS DOOR ASSY(BISQUE)
14	22001965	1	SWITCH ASSY., OPTIC
15	3395530	1	SCREW, OPTIC SWITCH
16	90767	1	SCREW, VAULT TO CONTROL COVER
17	NLA	1	BRACKET, SWITCH
18	90767	1	SCREW---NA
19	NLA	-	HARNES, SENSOR SWITCH





Ref #	Part Number	Qty.	Description
1	NLA	1	COVER, TOP (WHT-AS PK)
1	NLA	-	COVER, TOP (BSQ-AS PK)
1	NLA	1	COVER, TOP (WHT-AS PK)
1	NLA	-	COVER, TOP (BSQ-AS PK)
2	489503	7	CLAMP, HOSE
3	22002941	1	LID, DISPENSER
4	22003665	1	BEZEL, DISPENSER
5	6-912678	1	PIN, HINGE (LONG)
6	Y912679	1	PIN, HINGE (SHORT)
7	400021-1	4	SCREW, DISPENSER BEZEL
8	22001984	1	CLAMP, DRAIN HOSE
9	NLA	1	HOSE, SHOWER (9 1/2`)
10	285655	1	CLAMP, HOSE (TUB OUTLET)
11	NLA	1	GRID, DISPENSER
12	22002266	1	CAP, SIPHON
12	22003849	1	SIPHON CAP
13	22002265	1	CUP, SIPHON
13	22003848	1	SIPHON CUP
14	489128	1	SCREW, POWER CORD & GROUND
15	NLA	1	HOSE, BLEACH
16	NLA	1	HOSE, FABRIC SOFTENER
17	NLA	1	HOSE, DETERGENT
18	NLA	1	BOTTOM, DISPENSER ASSY.
18	NLA	1	TOP, DISPENSER (FLUME)
18	NLA	1	BOTTOM, DISPENSER
19	400021-1	1	SCREW, DISPENSER LID
20	NLA	1	DISPENSER COVER (FLUME)
21	22003844	1	DISPENSER BOTTOM
22	22003321	1	GRID, DISPENSER
23	12001929	1	VALVE SEAL KIT
23	285655	1	CLAMP, HOSE
23	22003832	1	FILL HOSE, DISPENSER
23	22003833	1	HOSE, TUB SHOWER
23	12001930	1	DISPENSER VALVE NEED 12001929 WHEN REPLACING

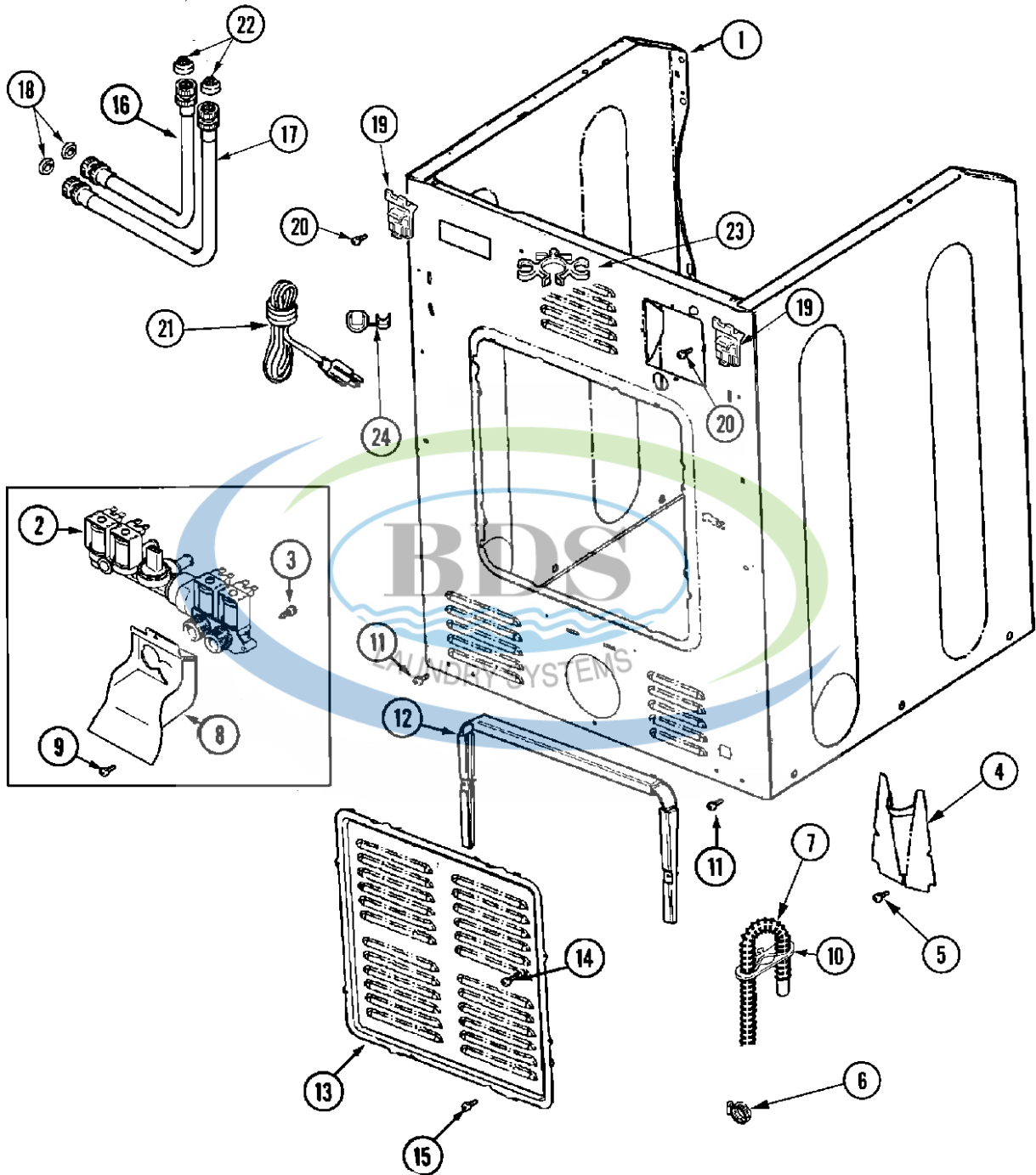




Ref #	Part Number	Qty.	Description
1	NLA	1	CABINET ASSY. (WHT AS PK)
1	NLA	-	CABINET ASSY. (BISQUE AS PK)
2	213007	6	SCREW, CABINET (TRUSS)
3	22002239	2	CLIP, LOWER FRONT PANEL
4	NLA	1	STRAP, TOP COVER SUPPORT
5	22003254	2	SPRING, CABINET TO TUB
6	22002297	2	SUPPORT, SPRING
7	NLA	2	SPACER, TOP COVER
8	22002049	2	CLIP, FRONT PANEL
9	NLA	1	BRACE ASSEMBLY, TOP CROSS
10	22001995	6	SCREW, SHROUD SUPPORT-CABINET
11	308605	1	CLIP, WIRE HARNESS
12	33002597	2	HOOK, SECURITY
13	22003298	2	RETAINER, WIRE
14	22002013	4	STOP, SHIPPING
15	22001995	4	SCREW, SHROUD TO CORNER BRACE
15	NLA	1	SHROUD SUPPORT ASSEMBLY
16	NLA	2	BRACE, CROSS
17	22001995	4	SCREW, CROSS BRACE
18	22001995	2	SCREW, FRONT CABINET

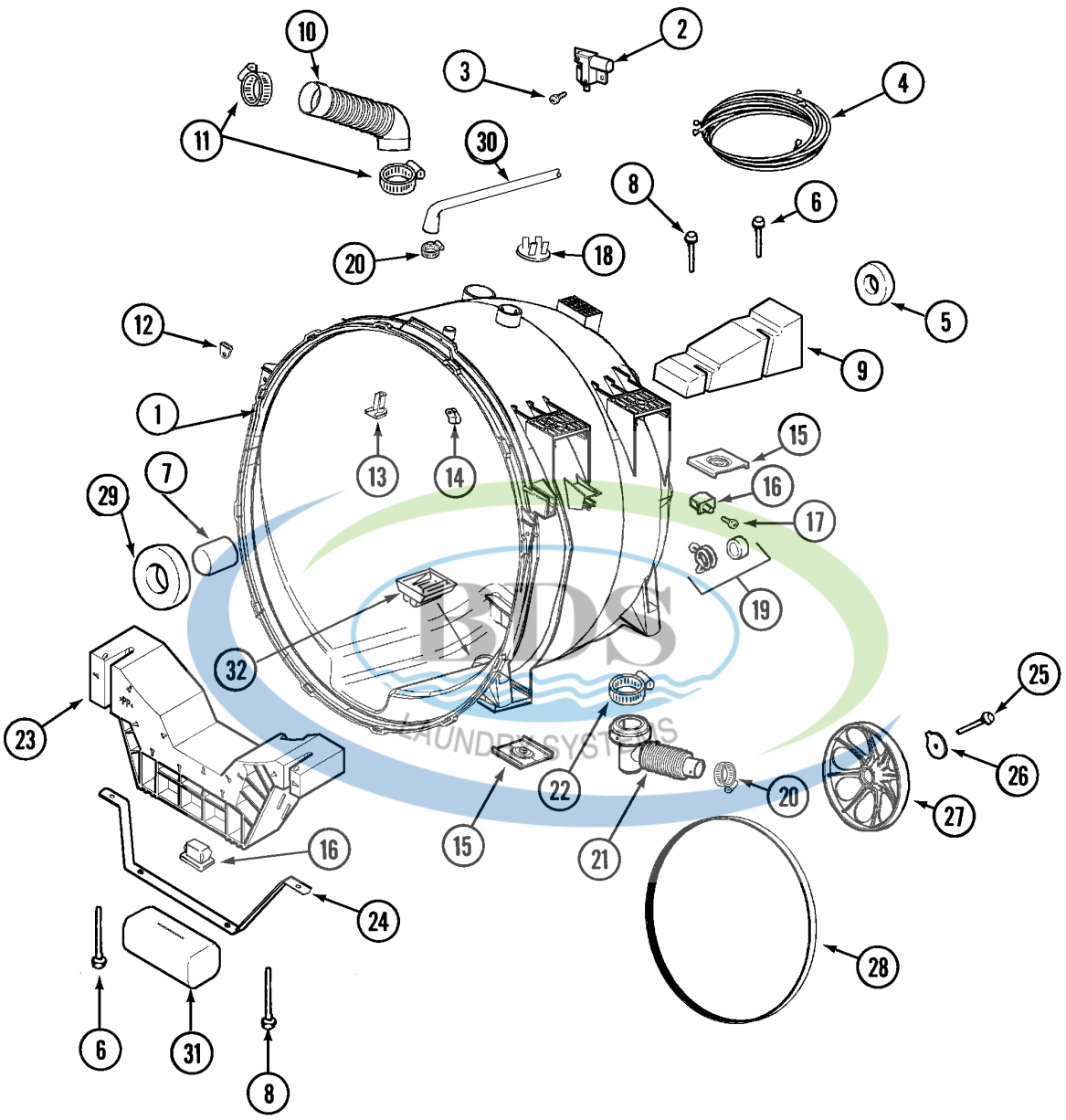




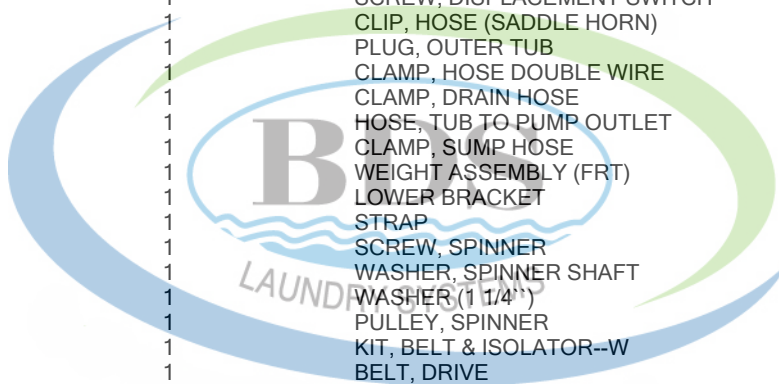


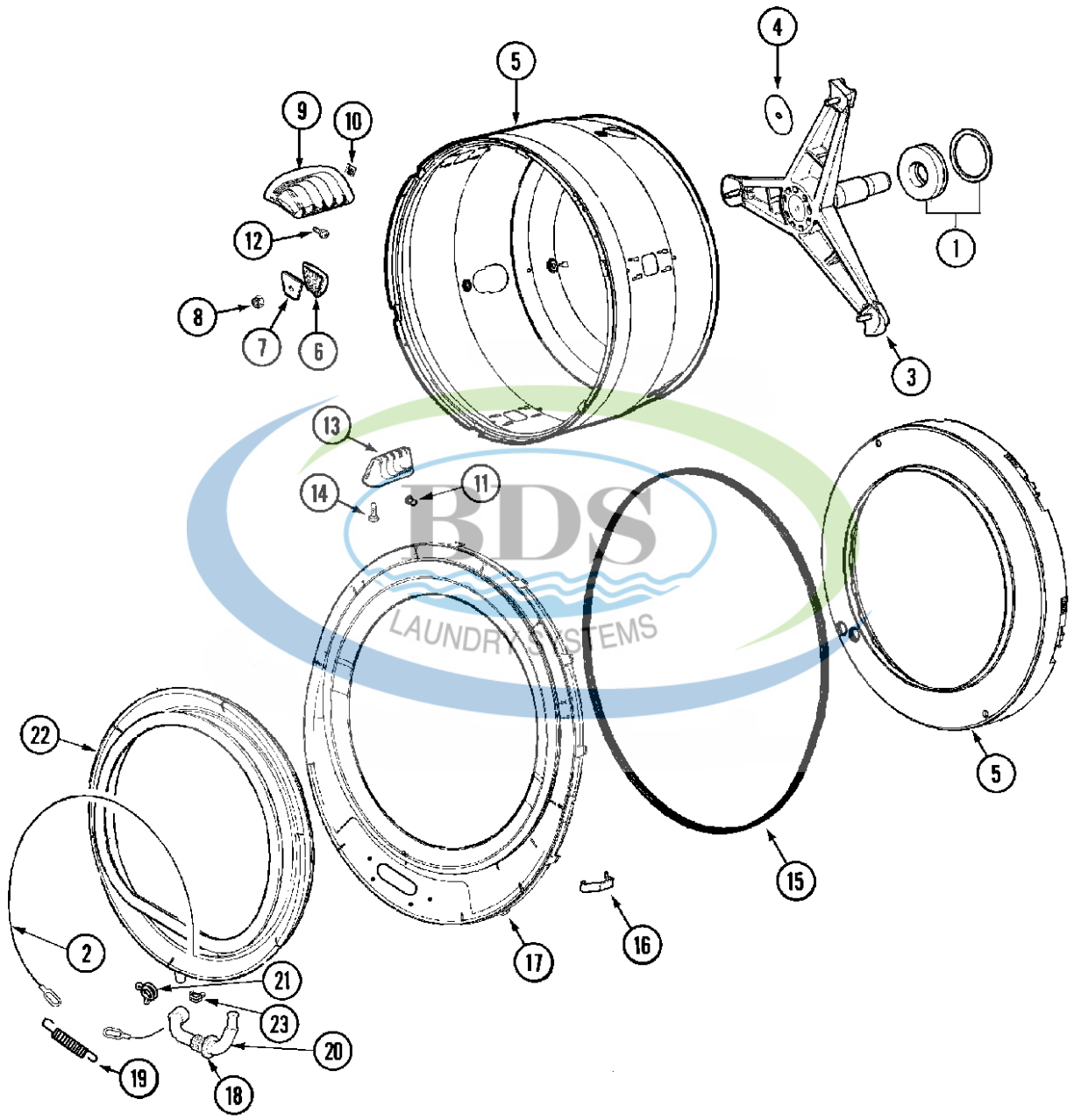
Ref #	Part Number	Qty.	Description
1	NLA	1	CABINET ASSY. (WHT AS PK)
1	NLA	-	CABINET ASSY. (BISQUE AS PK)
2	22002944	1	VALVE, WATER
2	22003940	1	WATER VALVE
3	NLA	2	SCREW, WATER VALVE
4	NLA	1	COVER, DRAIN HOSE
5	22001995	1	SCREW, DRAIN HOSE COVER
6	22001984	1	CLAMP, DRAIN HOSE
7	12001807	1	HOSE, DRAIN (CORRUGATED)
8	NLA	1	BRACKET, WATER VALVE
9	489128	2	SCREW, WATER VALVE BRACKET
10	22002892	1	RETAINER, DRAIN HOSE
11	22001995	2	SCREW, CABINET
12	NLA	1	SPACER, ACCESS PANEL
13	NLA	1	PANEL, ACCESS
14	67006908	2	SCREW, ACCESS PANEL SPACER
15	489128	2	SCREW, ACCESS PANEL
16	12001901	1	INLET HOSE ASSY (COLD)
17	12001900	1	INLET HOSE ASSY (HOT)
18	Y013783	4	WASHER, INLET HOSE
19	22004095	2	HINGE, PLASTIC
20	22001995	2	SCREW, HINGE
21	22003062	1	CORD, POWER (AS WRAPPED)
22	22002960	2	STRAINER
23	NLA	1	CLIP, DRAIN HOSE
24	NLA	1	GROMMET, CORD



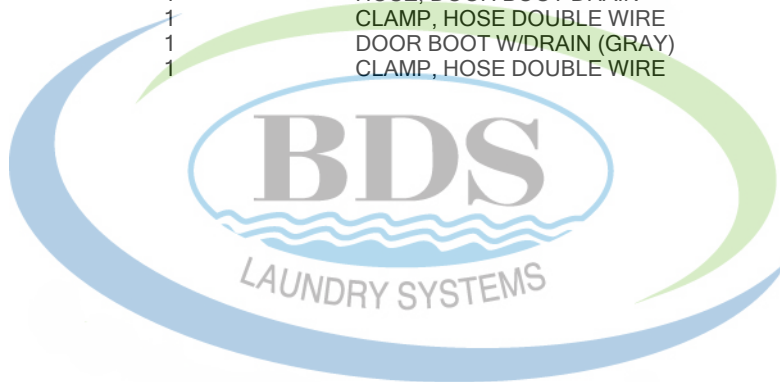


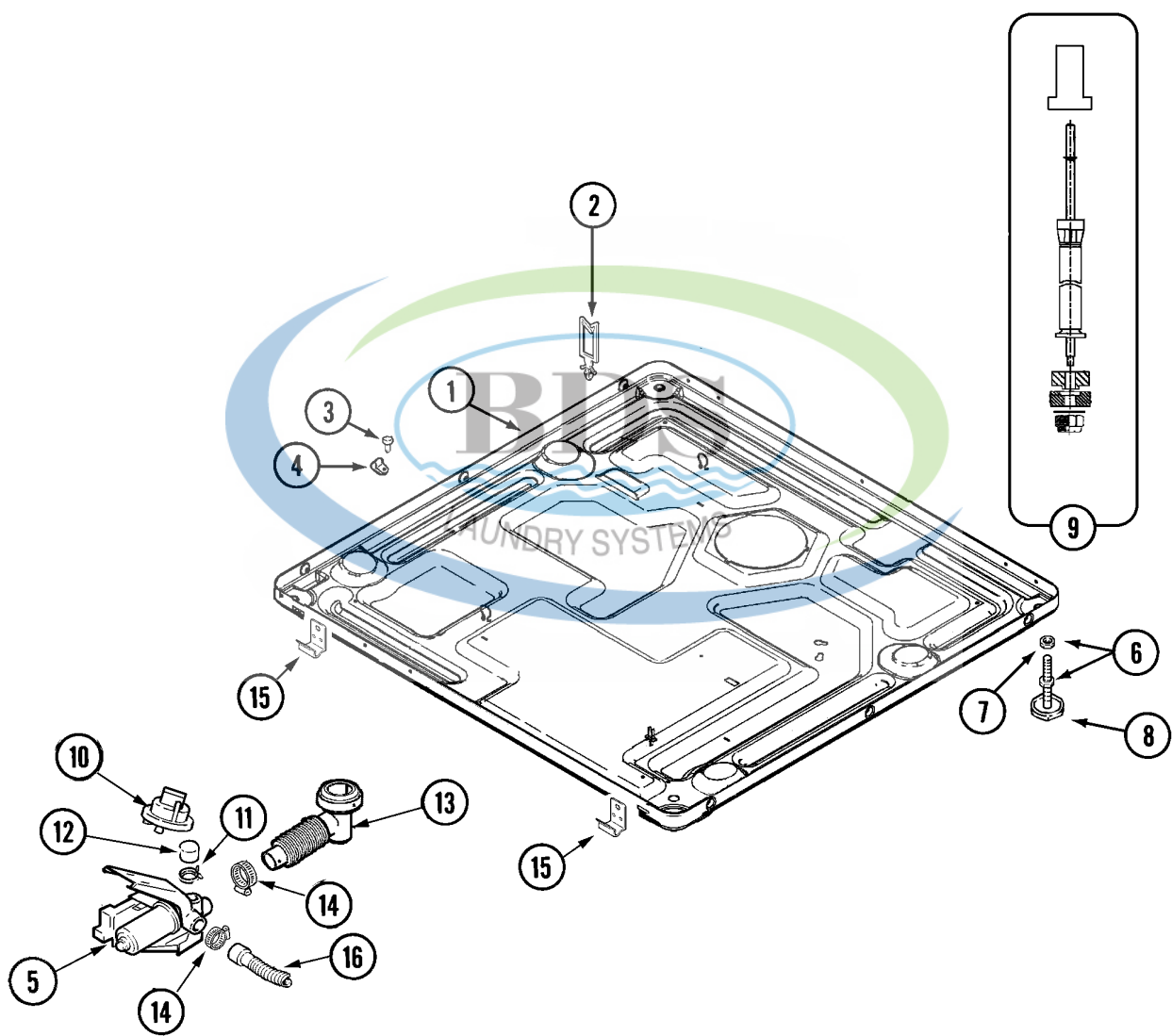
Ref #	Part Number	Qty.	Description
1	22004465	1	OUTER TUB ASSY.(NC AS PACKED)
1	22004465	1	OUTER TUB ASSEMBLY AS-PK KIT
2	NLA	1	CLIP
2	22003302	1	SWITCH, INERTIAL - UNBALANCE
3	910187	1	SCREW
3	9740848	2	SCREW
4	NLA	1	COVER, UNBALANCE SWITCH
4	NLA	1	WIRE HARNESS, UPPER SUB ASSY
4	22003684	1	WIRE HARNESS, UPPER SUB ASSY
4	22004052	1	HARNESS UPPER SUB ASSY
5	22003441	1	BEARING, REAR
6	22003615	1	BOLT (LONG)
6	33002973	2	PLATED BOLT, DOUBLE SEMS SU
7	22002935	1	SPACER, BEARING
8	22003616	1	BOLT, SHORT
8	22003828	2	PLATED BOLT, DOUBLE SEMS SU
9	NLA	1	WEIGHT, COUNTER BALANCE
10	22002083	1	HOSE, INJECTOR
11	616099	2	CLAMP, INJECTOR HOSE
12	NLA	2	CLIP, U
13	22004310	1	DEFLECTOR, WATER
14	22002006	6	CLIP, WIRE HARNESS & OUTER TUB
15	NLA	4	NUT, COUNTER BALANCE
16	22002044	2	SWITCH, TUB DISPLACEMENT
17	22002061	1	SCREW, DISPLACEMENT SWITCH
18	NLA	1	CLIP, HOSE (SADDLE HORN)
19	22003261	1	PLUG, OUTER TUB
19	285655	1	CLAMP, HOSE DOUBLE WIRE
20	596669	1	CLAMP, DRAIN HOSE
21	22003262	1	HOSE, TUB TO PUMP OUTLET
22	696392	1	CLAMP, SUMP HOSE
23	NLA	1	WEIGHT ASSEMBLY (FRT)
23	22004472	1	LOWER BRACKET
24	NLA	1	STRAP
25	22003937	1	SCREW, SPINNER
26	22003936	1	WASHER, SPINNER SHAFT
26	22003936	1	WASHER (1 1/4")
27	22002315	1	PULLEY, SPINNER
28	12001788	1	KIT, BELT & ISOLATOR--W
28	12001788	1	BELT, DRIVE
29	22002934	1	BEARING, FRONT
30	74007164	3	WIRE TIE, TWIST LOCK
30	NLA	1	HOSE, SHOWER (9 1/2")
31	NLA	1	CUSHION
31	NLA	1	CUSHION
32	22003710	1	CAP, SUMP
32	400021-1	2	SCREW





Ref #	Part Number	Qty.	Description
1	12002022	1	LIP SEAL SVC ASSY.
1	12002022	1	LIP SEAL KIT
2	22002327	1	BOOT CABLE CLAMP
3	22002123	1	TUBE, MOLYKOTE
3	W10181639	1	SUPPORT ASSY., SPINNER
3	W10181639	1	SPINNER SUPPORT ASSY AS PACK
4	22002023	3	WASHER, PLASTIC
5	6-2717080	1	SPINNER ASSY W' BALANCE RING
6	22002482	3	WASHER, PROFILE
7	22002020	3	WASHER, SPINNER SUPPORT
8	2207454	3	NUT, SPINNER ATTACHMENT
9	22001985	3	BAFFLE, DRIP (REAR)
10	22002009	3	GROMMET, BAFFLE (REAR)
11	22001999	3	GROMMET, BAFFLE (FRT)
12	22003556	6	SCREW, BAFFLE (REAR)
13	22001986	3	BAFFLE, DRIP (FRONT)
14	22002059	7	SCREW, BAFFLE (FRONT)
15	22002077	1	SEAL, TUB COVER
16	22002050	12	CLIP, TUB TO COVER
17	22003212	1	COVER, TUB (W/SEAL) (ASP)--W
17	22004464	1	OUTER TUB/TUB COVER KIT
17	NLA	1	COVER, TUB W/SEAL&CAPS ASPK
18	22003074	1	GUARD, HOSE
19	22002099	1	SPRING, TUB
20	22004477	1	HOSE, DOOR BOOT DRAIN
21	22003072	1	CLAMP, HOSE DOUBLE WIRE
22	12002533	1	DOOR BOOT W/DRAIN (GRAY)
23	22003073	1	CLAMP, HOSE DOUBLE WIRE

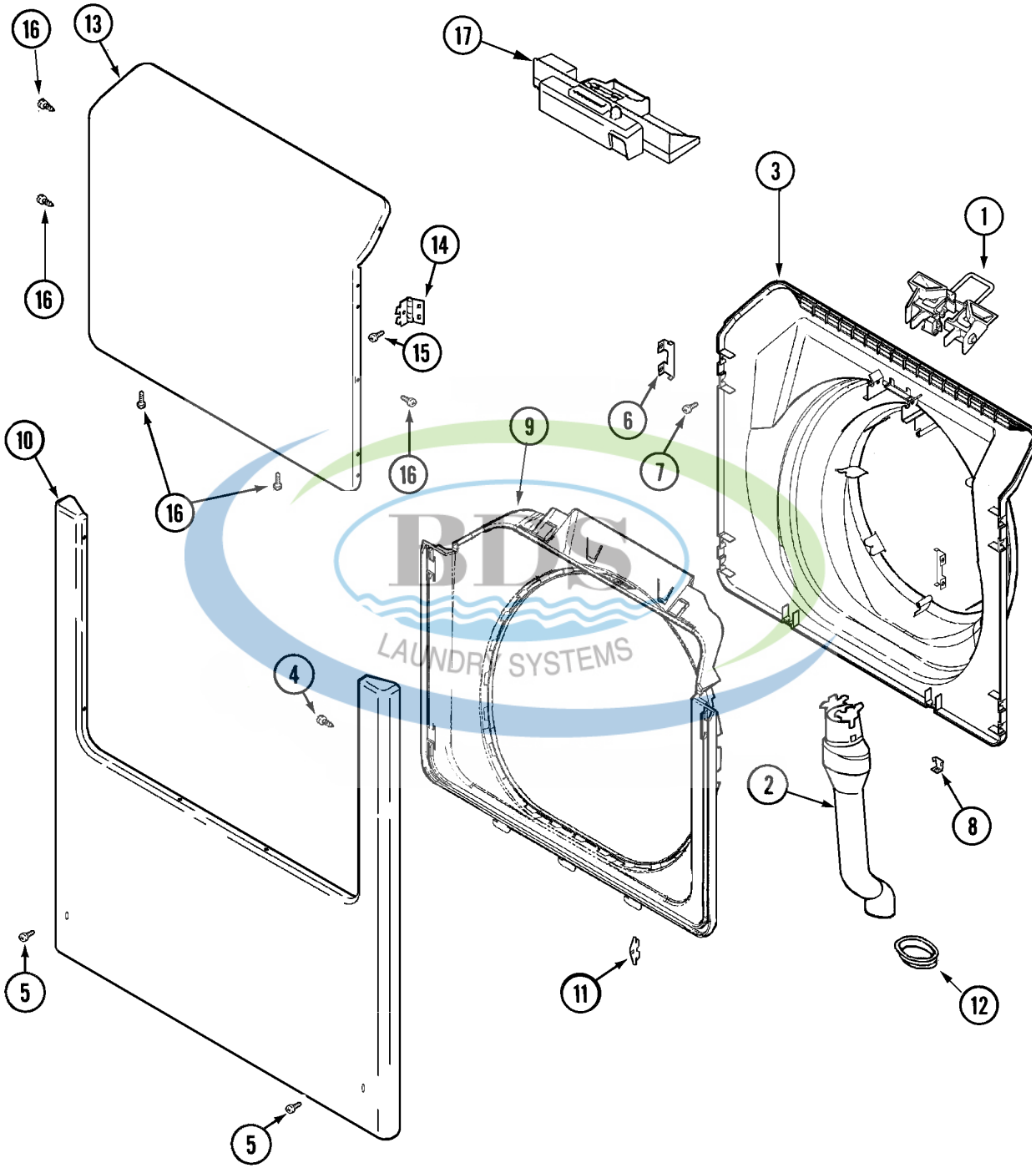




Ref #	Part Number	Qty.	Description
1	NLA	1	BASE WELD ASSEMBLY
2	22003298	5	RETAINER, WIRE
3	Y313561	1	SCREW, WIRE HARNESS CLIP
4	NLA	1	CLIP, WIRE HARNESS
5	25001052	1	DRAIN PUMP ASSEMBLY
6	8563585	4	ADJUSTABLE LEG W/FOOT & NUT
7	Y052740	4	NUT
8	210684	4	FOOT, RUBBER
9	22001988	1	STRUT ASSY-REAR
10	22003728	1	SWITCH, PRESSURE
10	NLA	1	BAG, PLASTIC W/DRAWSTRING
11	285655	1	CLAMP, HOSE
12	22003268	1	CAP, RUBBER
13	22003262	1	HOSE, TUB TO PUMP
14	596669	2	HOSE CLAMP (1-1/16 INCH)
15	22001995	2	SCREW, LOWER FRT PANEL TO BASE
15	22002239	2	CLIP, LOWER FRONT PANEL
16	22002892	1	RETAINER, DRAIN HOSE
16	12001807	1	HOSE, DRAIN (CORR)(80 1/2")

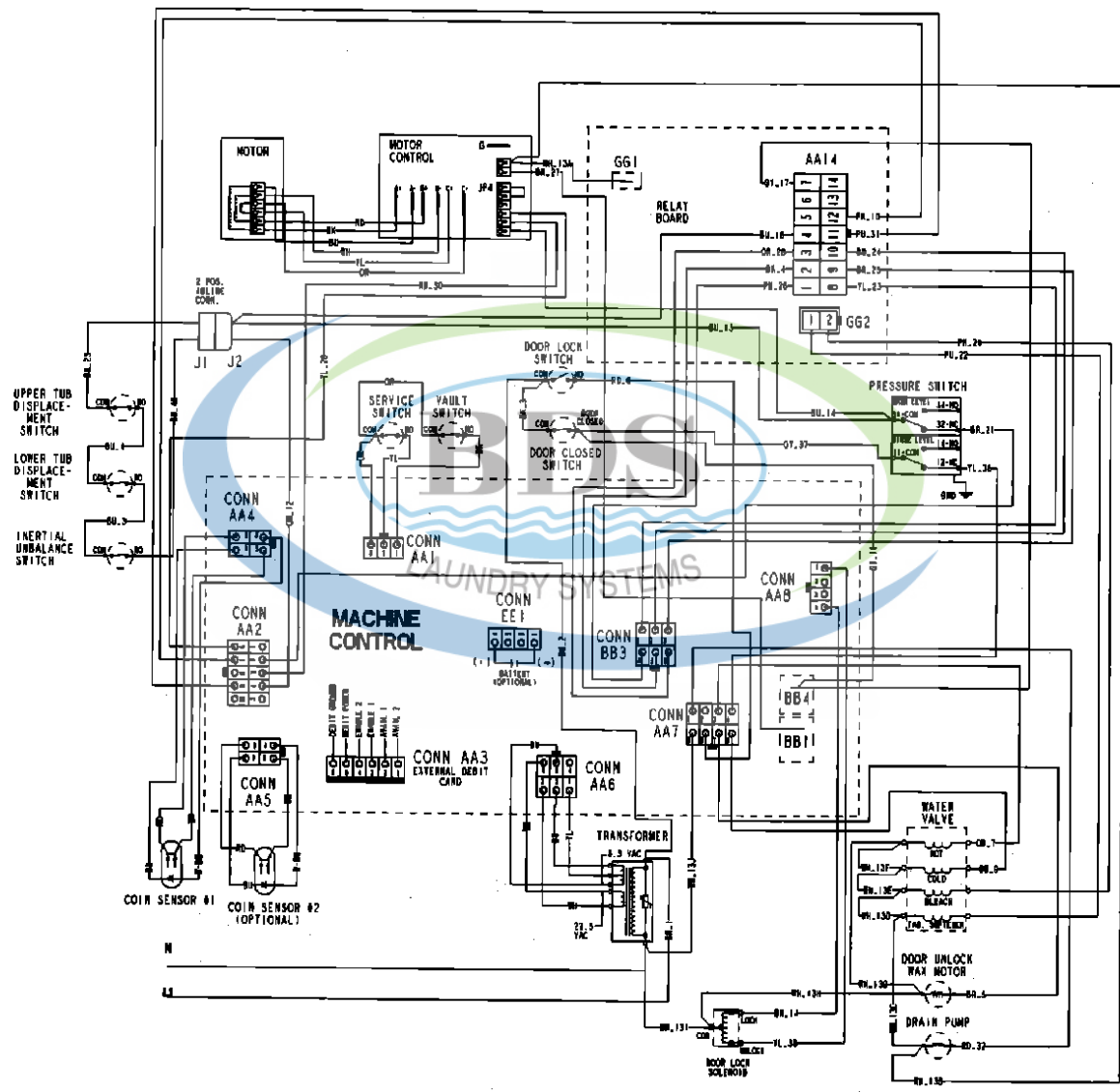






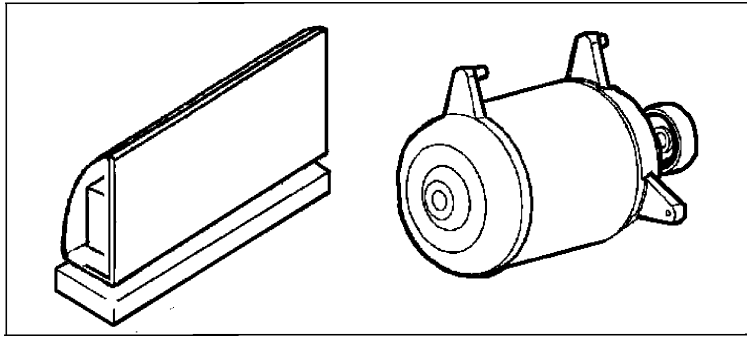
Ref #	Part Number	Qty.	Description
1	22003269	1	DOOR, LOCK HOOP ASSEMBLY
2	22003850	1	VENT TUBE ASSY.
3	22003275	1	DOOR, INNER (WHT)
3	22003279	-	DOOR, INNER (BSQ)
4	NLA	4	CLIP, GROUNDING
5	1163839	2	SCREW (No.10-3/8")
6	NLA	4	CLIP, DOOR (DOUBLE)
7	NLA	1	SCREW
8	22002039	4	CLIP, DOOR (SINGLE)
9	22002234	1	SHROUD (WHT)
10	22002836	1	PANEL, FRONT (WHT)
10	NLA	-	PANEL, FRONT (BSQ)
11	12001994	2	COVER, HINGE (WHT)
11	12002113	-	COVER, HINGE (BSQ)
11	33001764	1	COVER, HINGE HOLE (WHT)
11	33001787	2	SCREW
11	33002349	-	COVER, HINGE HOLE (BSQ)
12	22003075	1	GROMMET, VENT TUBE
13	22003785	1	DOOR, OUTER (WHT)
13	NLA	-	DOOR, OUTER (BSQ)
14	22002798	2	HINGE, DOOR
15	98006631	4	SCREW, HINGE
16	22002063	6	SCREW No.8-18AB WAFER HD
16	NLA	-	SCREW, OUTER DOOR (BSQ)
17	22003706	1	DOOR LOCK ASSEMBLY, COMMERCIAL



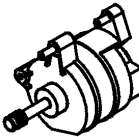

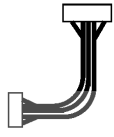
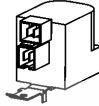
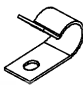





Ref #	Part Number	Qty.	Description
1	NLA	1	WIRING INFORMATION
1	NLA	1	WIRING INFORMATION

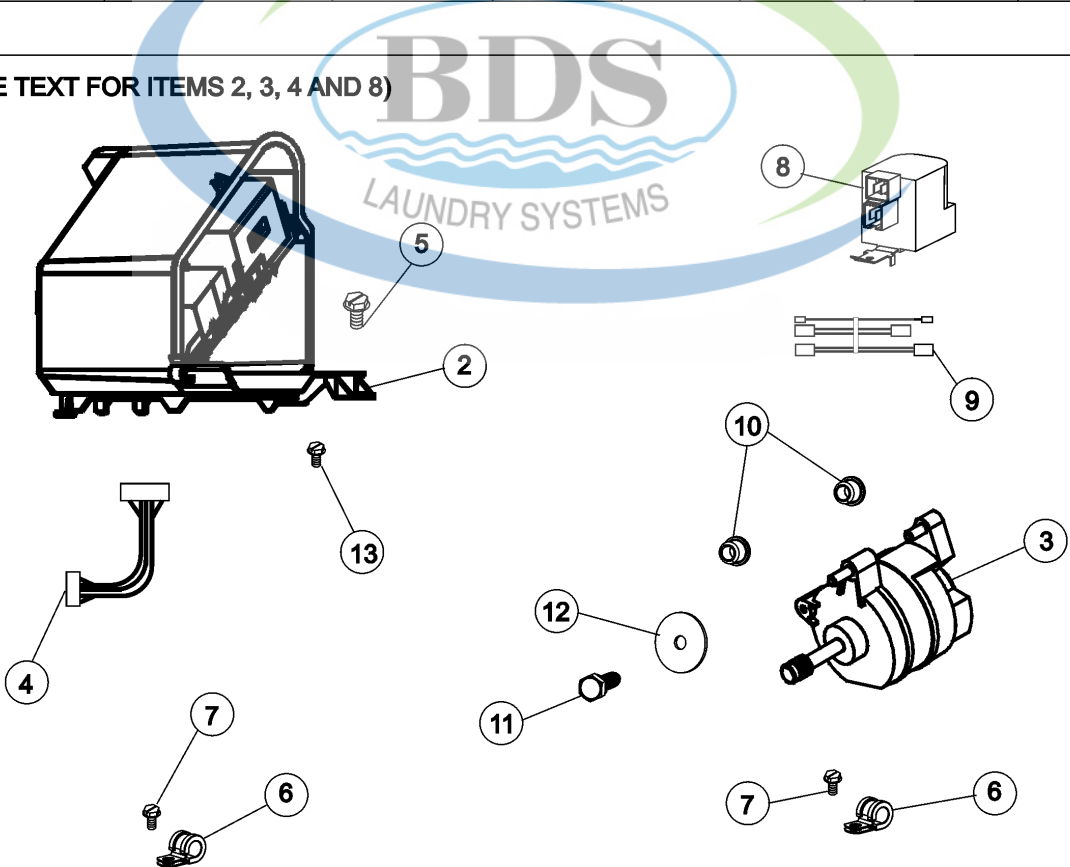




ITEM 1  
KIT CONTAINS:

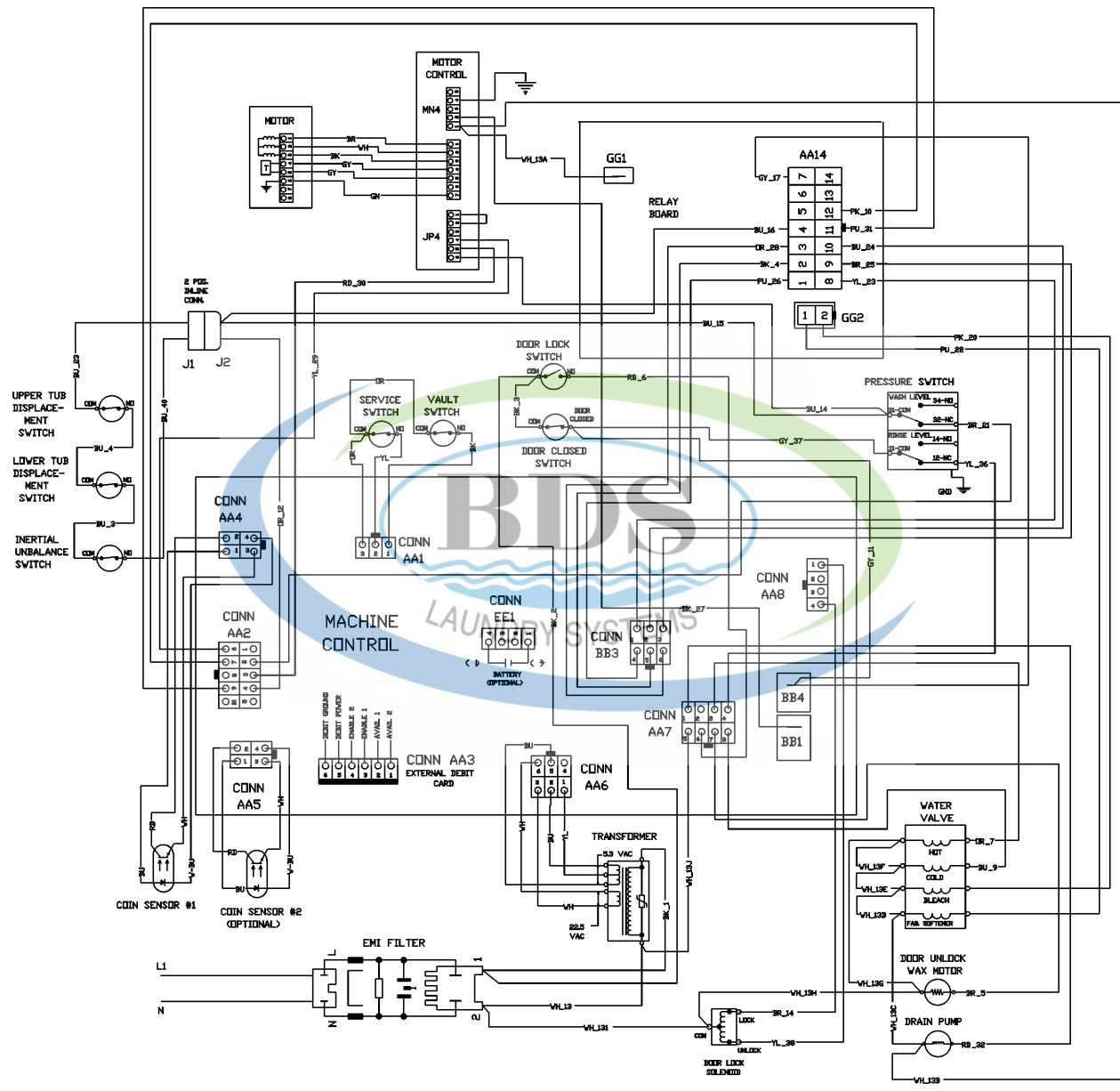
 <p><b>120002040</b> MOTOR W/ISOLATORS</p>	 <p><b>22004046</b> MOTOR CONTROL BOARD</p>	 <p><b>22004047</b> MOTOR HARNESS</p>	 <p><b>22003854</b> AC LINE FILTER</p>	 <p><b>22004102</b> "P" CLIPS (2)</p>	 <p><b>22002300</b> SCREW "P" CLIPS TO MOTOR</p>	 <p><b>22004101</b> LOWER JUMPER WIRE HARNESS</p>	 <p><b>22004103</b> SCREW GROUND</p>
---	--	--	---	--	---	--	---

(SEE TEXT FOR ITEMS 2, 3, 4 AND 8)



Ref #	Part Number	Qty.	Description
1	12002039	1	NEPTUNE MOTOR CONVERSION KIT
2	22004046	1	CONTROL ASSY., MOTOR
3	22003856	1	MOTOR, VARIABLE SPEED
4	22004212	1	HARNESS, MOTOR/MOTOR CONTROL
5	1163839	2	SCREW (No.10-3/8``)
6	22004102	2	P CLIPS
7	9740848	2	SCREW
8	22003858	1	EMI SUPPRESSION FILTER, 12A
9	22004101	1	REPAIR JUMPER HARNESS
10	22003329	2	ISOLATOR, MOTOR
11	22003686	1	BOLT, MOTOR
12	NLA	1	WASHER, STRUT
13	NLA	1	SCREW





Ref #	Part Number	Qty.	Description
1	NLA	1	WIRING INFORMATION

