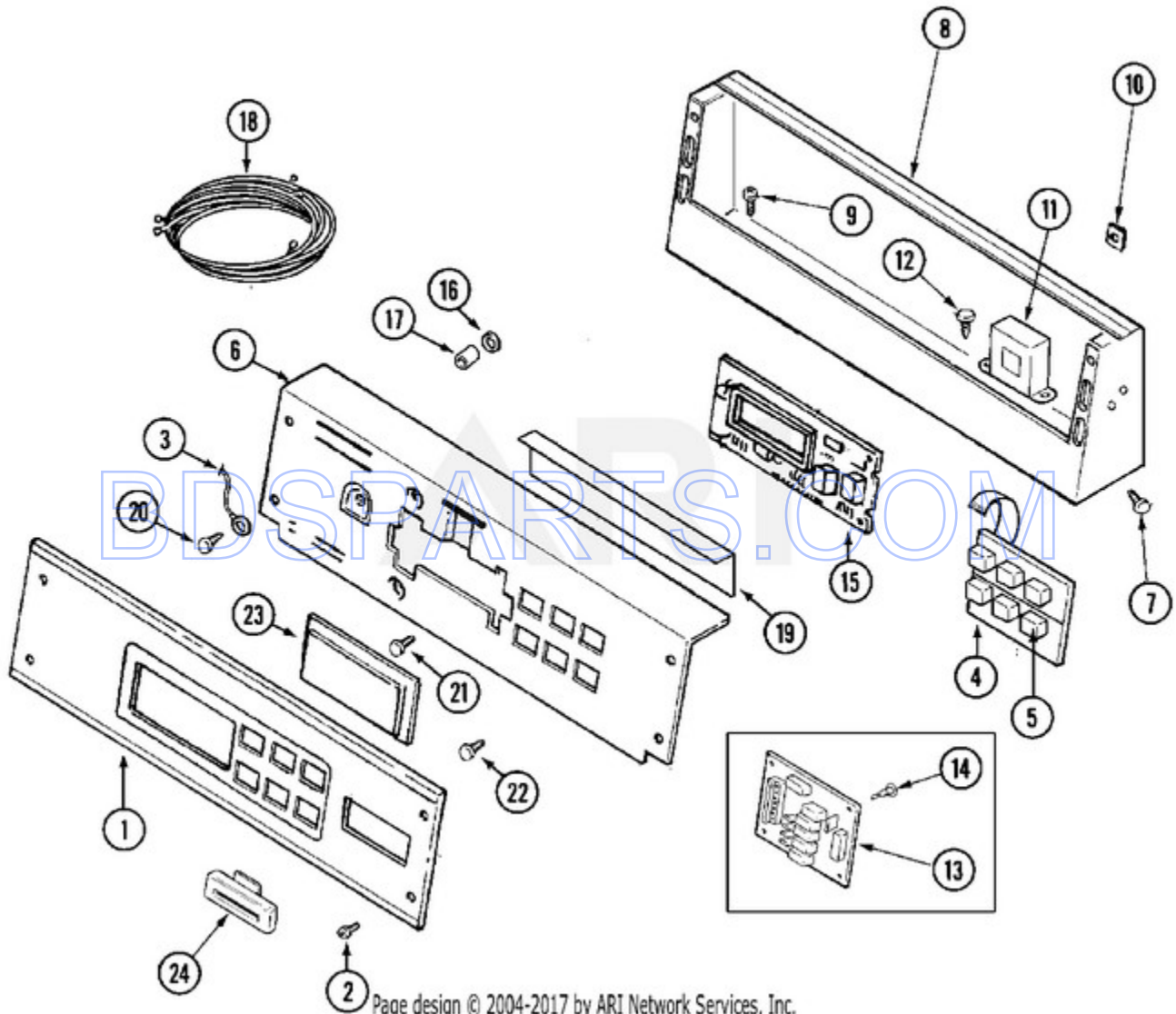
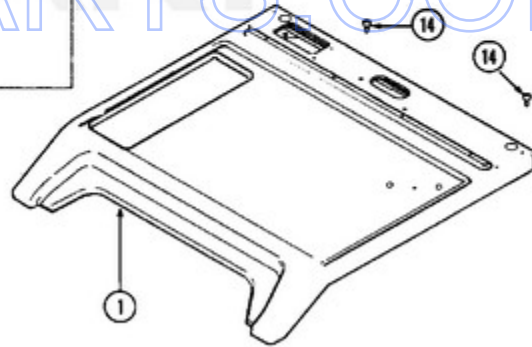
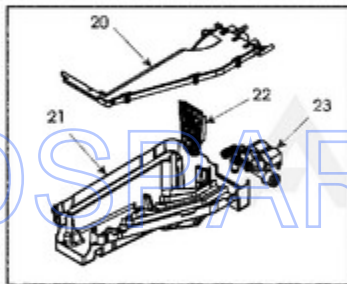
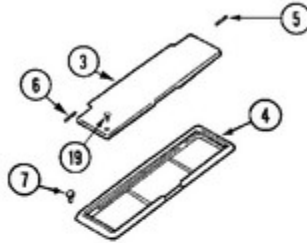
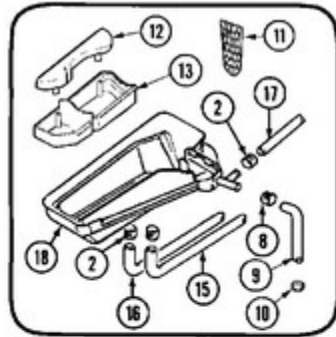


MAH21PRAWW - 01 - CONTROL PANEL



Ref #	Part #	Description	Qty	Context	Note	MSRP
1	22003696	PANEL, CONTROL FACIA	1	Series	10	
2	215506	SCREW, CONTROL PANEL	4	Series	10	
3	205810	WIRE, GROUND	1	Series	10	
4	206808	CONTROL SWITCH ASSEMBLY	1	Series	10	
4	215527	SCREW, CONTROL SWITCH	2	Series	10	
5	215517	PUSHBUTTON, CONTROL SWITCH	2	Series	10	
6	22002354	SCREW	3	Series	10	
6	22003697	BRACKET, BACK (WHT)	1	Series	10	
7	212276	SCREW	2	Series	10	
7	33002156	LOCKNUT, WASHERED	12	Series	10	
8	216423	SCREW, CONT COVER TO TOP COVER	3	Series	10	
8	22003101	CONSOLE (WHT)	1	Series	10	
9	22002925	SCREW, CONSOLE	5	Series	10	
10	215003	FASTENER, SCREW	2	Series	10	
11	22001960	TRANSFORMER	1	Series	10	
12	22002925	SCREW, TRANSFORMER	2	Series	10	
13	22004172	RELAY BOARD DRS	1	Series	10	
14	22002782	PAD, FOAM (SOUND DAMPENER)	1	Series	14	
14	33001204	STANDOFF, CIRCUIT BOARD	4	Series	10	
15	22003689	CONTROL BOARD	1	Series	10	
15	22004255	CONTROL BOARD	1	Series	31	
16	912077	LOCKNUT, CONTROL BOARD	6	Series	10	
17	22002943	STAND-OFF	4	Series	10	
18	22002782	PAD, FOAM (SOUND DAMPENER)	1	Series	14	
18	22003734	HARNESS, WIRE	1	Series	10	
18	22003858	EMI SUPPRESSION FILTER, 16A	1	Series	14	
18	NLA	WIRE HARNESS PR (MAIN)	1	Series	14	
19	22002954	DEFLECTOR, WATER (W/ADHESIVE)	2	Series	10	
20	210186	SCREW, GROUND WIRE TO BK BRKT	1	Series	10	
21	215526	SCREW, CIRCUIT BOARD	2	Series	10	
22	215527	SCREW, BACK BRACKET	2	Series	10	
23	22001962	COVER, DISPLAY	1	Series	10	
24	22001976	BEZEL	1	Series	10	
25	22002155	HARNESS KIT, READER (12``)	1	Series	10	
26	NLA	MANUAL-USE & CARE	1	Series	10	

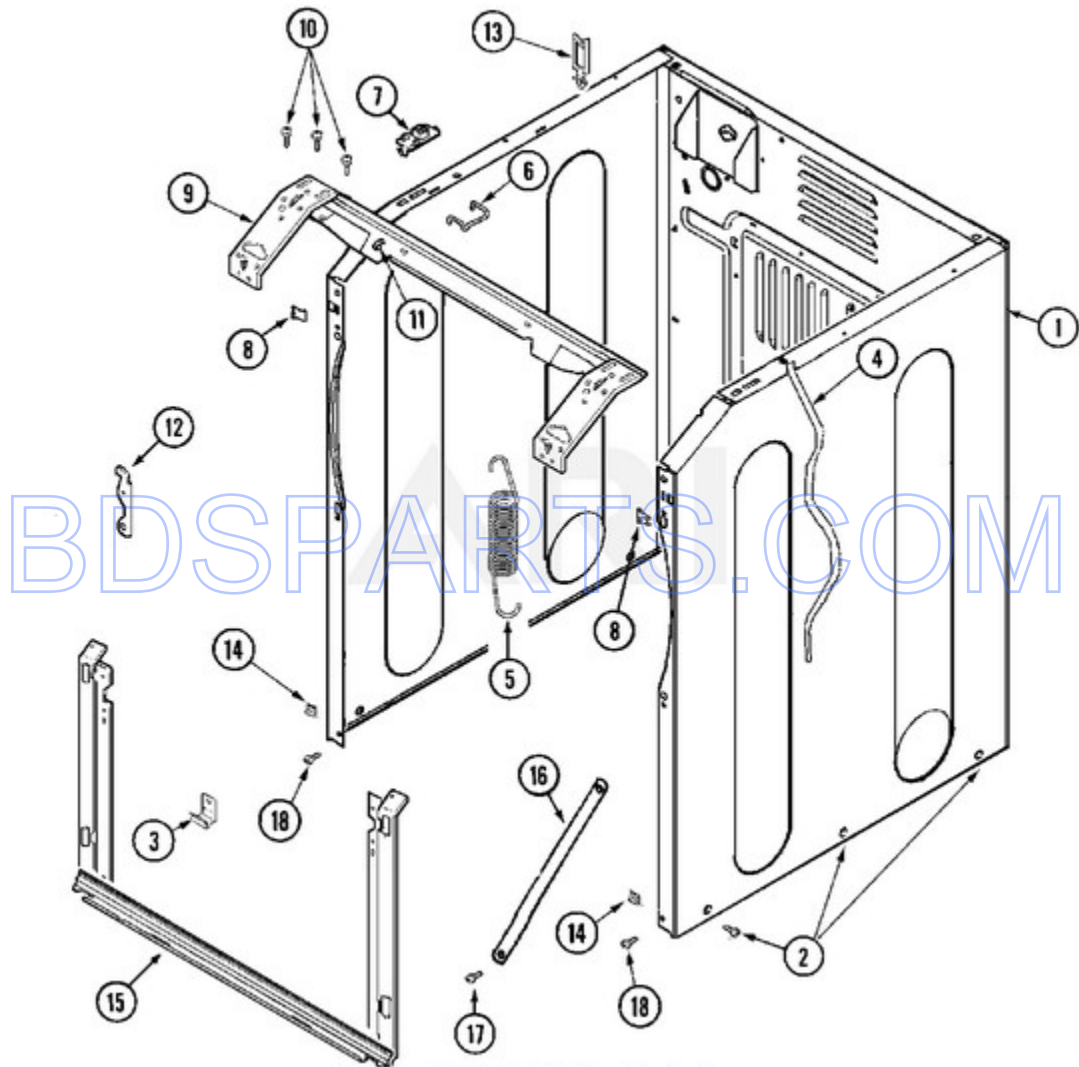
MAH21PRAWW - 02 - TOP



BDSEPARTS.COM

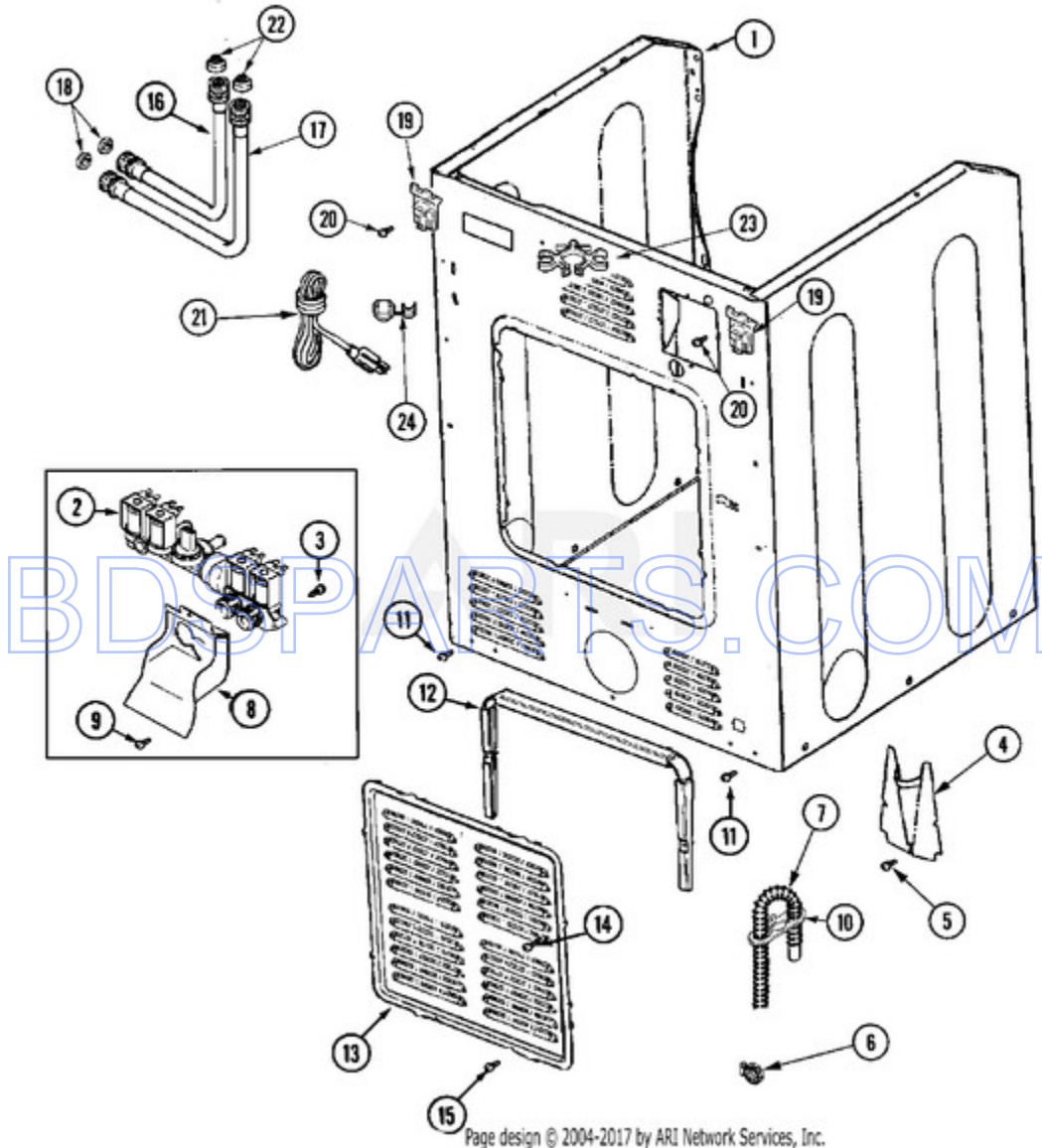
Ref #	Part #	Description	Qty	Context	Note	MSRP
1	22003584	COVER, TOP (WHT-AS PK)	1	Series	10	
1	22004180	COVER, TOP (WHT-AS PK)	1	Series	25	
2	205161	CLAMP, HOSE	7	Series	10	
3	22002941	LID, DISPENSER	1	Series	10	
4	22003665	BEZEL, DISPENSER	1	Series	10	
5	Y912678	PIN, HINGE (LONG)	1	Series	10	
6	Y912679	PIN, HINGE (SHORT)	1	Series	10	
7	22002060	SCREW, DISPENSER BEZEL	4	Series	10	
8	22001984	CLAMP, DRAIN HOSE	1	Series	10	
9	22003259	HOSE, SHOWER (9 1/2`)	1	Series	10	
10	201011	CLAMP, HOSE (TUB OUTLET)	1	Series	10	
11	22003321	GRID, DISPENSER	1	Series	10	
12	22002266	CAP, SIPHON	1	Series	10	
12	22003849	SIPHON CAP	1	Series	13	
13	22002265	CUP, SIPHON	1	Series	10	
13	22003848	SIPHON CUP	1	Series	13	
14	912365	SCREW, POWER CORD & GROUND	1	Series	10	
15	22002551	HOSE, BLEACH	1	Series	10	
16	22003634	HOSE, FABRIC SOFTENER	1	Series	10	
17	22003457	HOSE, DETERGENT	1	Series	10	
18	22003320	BOTTOM, DISPENSER ASSY.	1	Series	10	
18	22003322	TOP, DISPENSER (FLUME)	1	Series	10	
18	22003723	BOTTOM, DISPENSER	1	Series	10	
19	22003681	SCREW, DISPENSER LID	1	Series	10	
20	22003845	DISPENSER COVER (FLUME)	1	Series	13	
21	22003844	DISPENSER BOTTOM	1	Series	13	
22	22003321	GRID, DISPENSER	1	Series	13	
23	12001929	VALVE SEAL KIT	1	Series	13	
23	22001640	CLAMP, HOSE	1	Series	13	
23	22003832	FILL HOSE, DISPENSER	1	Series	13	
23	22003833	HOSE, TUB SHOWER	1	Series	13	
23	22003846	DISPENSER VALVE NEED 12001929 WHEN REPLACING	1	Series	13	

MAH21PRAWW - 03 - CABINET-FRONT



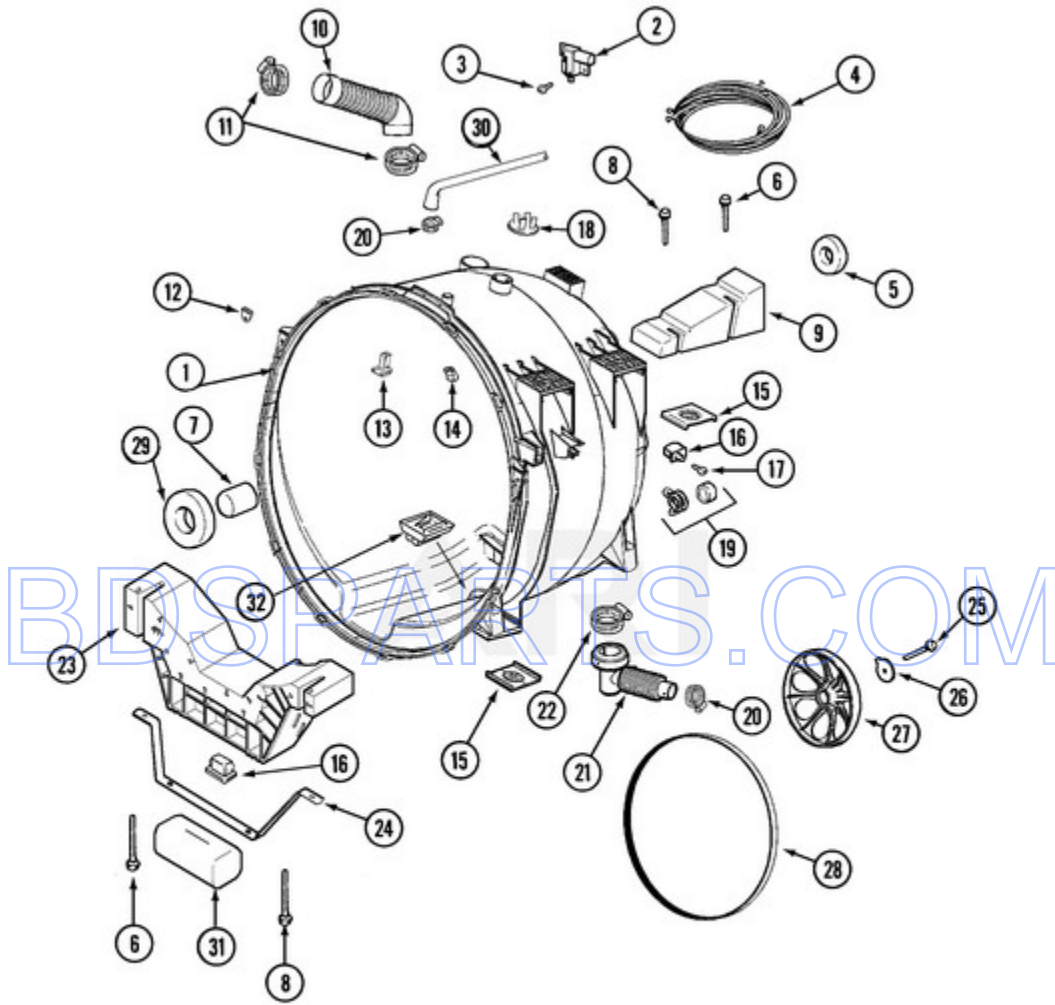
Ref #	Part #	Description	Qty	Context	Note	MSRP
1	22003639	CABINET ASSY. (WHT AS PK)	1	Series	10	
2	22003409	SCREW, CABINET (TRUSS)	6	Series	67	
3	22002239	CLIP, LOWER FRONT PANEL	2	Series	10	
4	33001836	STRAP, TOP COVER SUPPORT	1	Series	10	
5	22003254	SPRING, CABINET TO TUB	2	Series	10	
6	22002297	SUPPORT, SPRING	2	Series	10	
7	22001997	SPACER, TOP COVER	2	Series	10	
8	22002049	CLIP, FRONT PANEL	2	Series	10	
9	22003637	BRACE ASSEMBLY, TOP CROSS	1	Series	10	
10	22001995	SCREW, SHROUD SUPPORT-CABINET	6	Series	10	
11	22002014	CLIP	1	Series	10	
12	22002247	HOOK, SECURITY	2	Series	10	
13	22003298	RETAINER, WIRE	2	Series	10	
14	22002013	STOP, SHIPPING	4	Series	10	
15	22003638	SHROUD SUPPORT ASSEMBLY	1	Series	10	
16	22002259	BRACE, CROSS	2	Series	10	
17	22001995	SCREW, CROSS BRACE	4	Series	10	
18	22001995	SCREW, FRONT CABINET	2	Series	10	

MAH21PRAWW - 04 - CABINET-REAR



Ref #	Part #	Description	Qty	Context Note	MSRP
1	22003639	CABINET ASSY. (WHT AS PK)	1	Series 10	
2	22002944	VALVE, WATER	1	Series 10	
2	22003940	WATER VALVE	1	Series 13	
3	22002436	SCREW, WATER VALVE	2	Series 10	
4	22002704	COVER, DRAIN HOSE	1	Series 10	
5	22001995	SCREW, DRAIN HOSE COVER	1	Series 10	
6	22001984	CLAMP, DRAIN HOSE	1	Series 10	
7	22003319	HOSE, DRAIN (CORRUGATED)	1	Series 10	
8	33002212	BRACKET, WATER VALVE	1	Series 10	
9	22002925	SCREW, WATER VALVE BRACKET	2	Series 10	
10	22002892	RETAINER, DRAIN HOSE	1	Series 10	
11	22001995	SCREW, CABINET	2	Series 10	
12	22002022	SPACER, ACCESS PANEL	1	Series 10	
13	22002092	PANEL, ACCESS	1	Series 10	
14	22002295	SCREW, ACCESS PANEL SPACER	2	Series 10	
15	22002925	SCREW, ACCESS PANEL	2	Series 10	
16	22003682	INLET HOSE ASSY (COLD)	1	Series 10	
17	22003683	INLET HOSE ASSY (HOT)	1	Series 10	
18	Y013783	WASHER, INLET HOSE	4	Series 10	
19	22003367	HINGE, PLASTIC	2	Series 10	
20	22001995	SCREW, HINGE	2	Series 10	
21	22003062	CORD, POWER (AS WRAPPED)	1	Series 10	
22	22002229	STRAINER	2	Series 10	
23	22002932	CLIP, DRAIN HOSE	1	Series 10	
24	211881	GROMMET, CORD	1	Series 10	

MAH21PRAWW - 05 - OUTER TUB

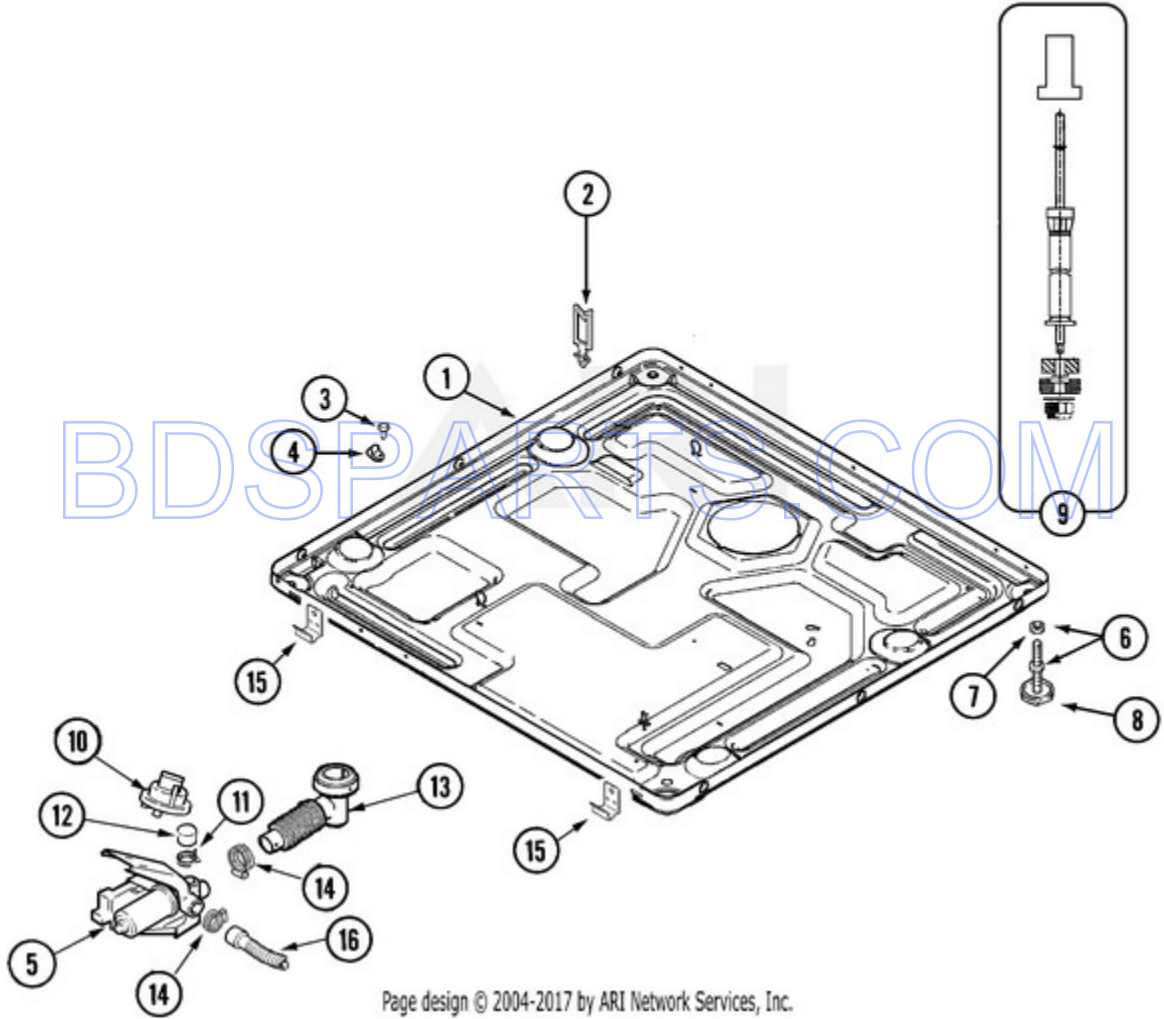


Ref #	Part #	Description	Qty	Context	Note	MSRP
1	22003413	OUTER TUB ASSY.(NC AS PACKED)	1	Series 10		
1	22004080	OUTER TUB ASSEMBLY AS-PK KIT	1	Series 22		
2	22002006	CLIP	1	Series 18		
2	22002045	SWITCH, INERTIAL - UNBALANCE	1	Series 10		
3	22002061	SCREW	1	Series 18		
3	22002300	SCREW	2	Series 10		
4	22003065	COVER, UNBALANCE SWITCH	1	Series 10		
4	22003684	WIRE HARNESS, UPPER SUB ASSY	1	Series 10		
4	22003684	WIRE HARNESS, UPPER SUB ASSY	1	Series 11		
4	22004052	HARNESS UPPER SUB ASSY	1	Series 18		
5	22003441	BEARING, REAR	1	Series 10		
6	22003615	BOLT (LONG)	1	Series 10		
6	22003828	PLATED BOLT, DOUBLE SEMS SU	2	Series 11		
7	22002935	SPACER, BEARING	2	Series 10		
8	22003616	BOLT, SHORT	1	Series 10		
8	22003828	PLATED BOLT, DOUBLE SEMS SU	2	Series 11		
9	22002102	WEIGHT, COUNTER BALANCE	1	Series 10		
10	22002083	HOSE, INJECTOR	1	Series 10		
11	22002052	CLAMP, INJECTOR HOSE	2	Series 10		
12	22002103	CLIP, U	2	Series 10		
13	22002959	DEFLECTOR, WATER	1	Series 10		
14	22002006	CLIP, WIRE HARNESS & OUTER TUB	6	Series 10		
15	22002065	NUT, COUNTER BALANCE	4	Series 10		
16	22002044	SWITCH, TUB DISPLACEMENT	2	Series 10		
17	22002061	SCREW, DISPLACEMENT SWITCH	1	Series 10		
18	22002797	CLIP, HOSE (SADDLE HORN)	1	Series 10		
19	22003261	PLUG, OUTER TUB	1	Series 10		
19	22003295	CLAMP, HOSE DOUBLE WIRE	1	Series 10		
20	202515	CLAMP, DRAIN HOSE	1	Series 10		
21	22003262	HOSE, TUB TO PUMP OUTLET	1	Series 10		
22	22002053	CLAMP, SUMP HOSE	1	Series 10		
23	22003253	WEIGHT ASSEMBLY (FRT)	1	Series 10		
23	22003826	LOWER BRACKET	1	Series 11		
24	22001810	STRAP, MOUNTING	1	Series 10		
25	22002057	SCREW, SPINNER	1	Series 10		
26	22002055	WASHER, SPINNER SHAFT	1	Series 10		
26	22003936	WASHER (1 1/4``)	1	Series 17		
27	22002315	PULLEY, SPINNER	1	Series 10		
28	12001788	KIT, BELT & ISOLATOR--W	1	Series 10		

Ref #	Part #	Description	Qty	Context Note	MSRP
28	22002313	BELT, DRIVE	1	Series 10	
29	22002934	BEARING, FRONT	2	Series 10	
30	22003259	HOSE, SHOWER (9 1/2`)	1	Series 10	
31	22003225	CUSHION	1	Series 10	
31	22003827	CUSHION	1	Series 11	
32	22003257	CAP, SUMP	1	Series 10	
32	22003263	SCREW	2	Series 10	

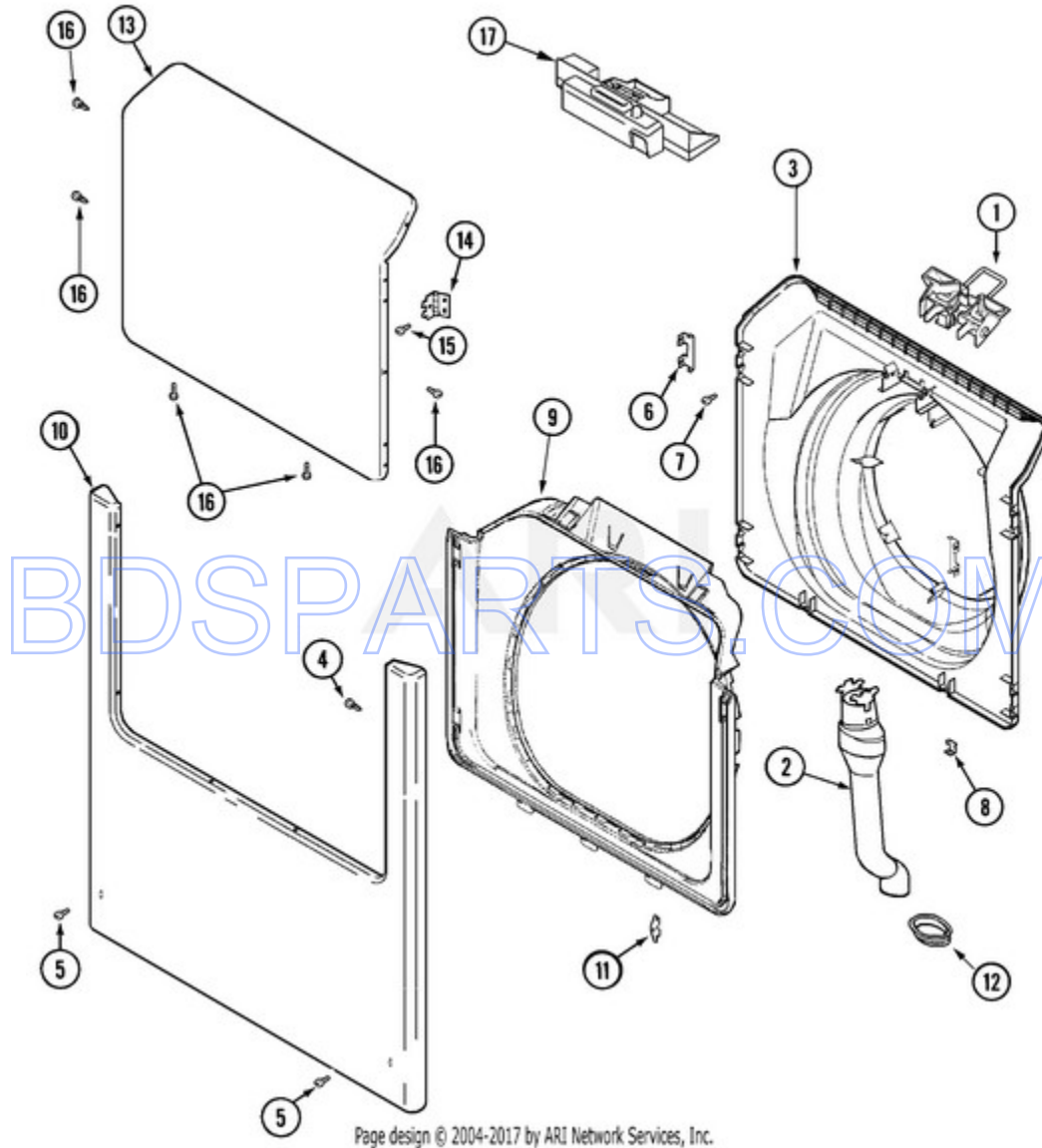
BDSPARTS.COM

MAH21PRAWW - 06 - BASE



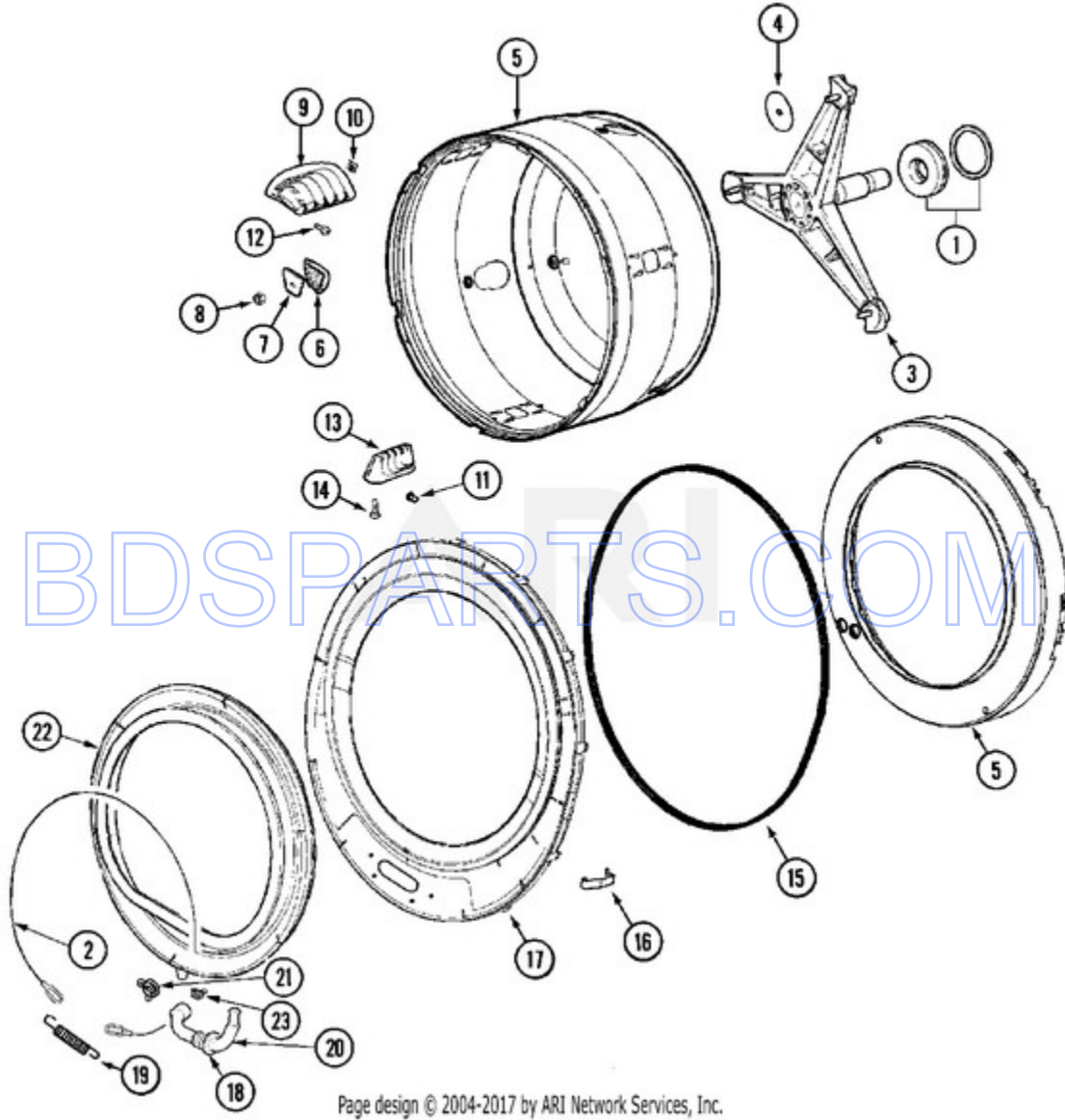
Ref #	Part #	Description	Qty	Context	Note	MSRP
1	22003605	BASE WELD ASSEMBLY	1	Series	10	
2	22003298	RETAINER, WIRE	5	Series	10	
3	Y313561	SCREW, WIRE HARNESS CLIP	1	Series	10	
4	22003327	CLIP, WIRE HARNESS	1	Series	10	
5	22003244	DRAIN PUMP ASSEMBLY	1	Series	10	
6	22003544	ADJUSTABLE LEG W/FOOT & NUT	4	Series	10	
7	Y052740	NUT	4	Series	10	
8	210684	FOOT, RUBBER	4	Series	10	
9	22001988	STRUT ASSY-REAR	1	Series	10	
10	22003728	SWITCH, PRESSURE	1	Series	10	
10	NLA	BAG, PLASTIC W/DRAWSTRING	1	Series	10	
11	22002853	CLAMP, HOSE	1	Series	10	
12	22003268	CAP, RUBBER	1	Series	10	
13	22003262	HOSE, TUB TO PUMP	1	Series	10	
14	202515	HOSE CLAMP (1-1/16 INCH)	2	Series	10	
15	22001995	SCREW, LOWER FRT PANEL TO BASE	2	Series	10	
15	22002239	CLIP, LOWER FRONT PANEL	2	Series	10	
16	22002892	RETAINER, DRAIN HOSE	1	Series	10	
16	22003319	HOSE, DRAIN (CORR)(80 1/2``)	1	Series	10	

MAH21PRAWW - 07 - DOOR, SHROUD, FRONT PANEL & LATCH ASSY



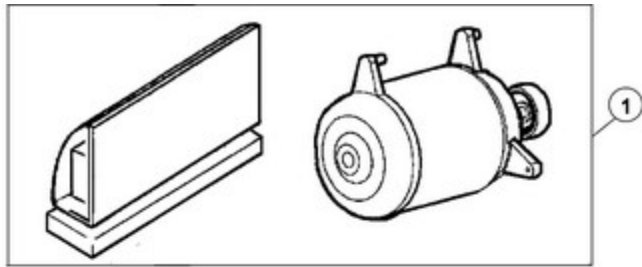
Ref #	Part #	Description	Qty	Context Note	MSRP
1	22003269	DOOR, LOCK HOOP ASSEMBLY	1	Series 10	
2	22003576	VENT TUBE ASSY.	1	Series 10	
3	22003275	DOOR, INNER (WHT)	1	Series 10	
4	22002244	CLIP, GROUNDING	1	Series 10	
5	33002190	SCREW (No.10-3/8`)	1	Series 10	
6	22002038	CLIP, DOOR (DOUBLE)	4	Series 10	
7	22002007	SCREW	1	Series 10	
8	22002039	CLIP, DOOR (SINGLE)	4	Series 10	
9	22003516	SHROUD (WHT)	1	Series 10	
10	22002836	PANEL, FRONT (WHT)	1	Series 10	
11	22002095	COVER, HINGE (WHT)	1	Series 10	
11	33001764	COVER, HINGE HOLE (WHT)	2	Series 75	
11	33001846	SCREW	2	Series 75	
12	22003075	GROMMET, VENT TUBE	1	Series 10	
13	22003785	DOOR, OUTER (WHT)	1	Series 10	
14	22002798	HINGE, DOOR	2	Series 10	
15	22002062	SCREW, HINGE	4	Series 10	
16	22002063	SCREW No.8-18AB WAFER HD	8	Series 10	
17	22003706	DOOR LOCK ASSEMBLY, COMMERCIAL	1	Series 10	

MAH21PRAWW - 08 - SPINNER ASSEMBLY & OUTER TUB COVER







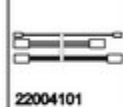



Ref #	Part #	Description	Qty	Context Note	MSRP
1	12001478	LIP SEAL SVC ASSY.	1	Series 10	
1	12002022	LIP SEAL KIT	1	Series 22	
2	22002327	BOOT CABLE CLAMP	1	Series 10	
3	22002123	TUBE, MOLYKOTE	1	Series 10	
3	22002897	SUPPORT ASSY., SPINNER	1	Series 10	
3	22003925	SPINNER SUPPORT ASSY AS PACK	1	Series 17	
4	22002023	WASHER, PLASTIC	3	Series 10	
5	22003670	SPINNER ASSY W` BALANCE RING	1	Series 10	
6	22002482	WASHER, PROFILE	3	Series 10	
7	22002020	WASHER, SPINNER SUPPORT	3	Series 10	
8	22002122	NUT, SPINNER ATTACHMENT	3	Series 10	
9	22001985	BAFFLE, DRIP (REAR)	3	Series 10	
10	22002009	GROMMET, BAFFLE (REAR)	3	Series 10	
11	22001999	GROMMET, BAFFLE (FRT)	3	Series 10	
12	22003556	SCREW, BAFFLE (REAR)	6	Series 10	
13	22001986	BAFFLE, DRIP (FRONT)	3	Series 10	
14	22002059	SCREW, BAFFLE (FRONT)	7	Series 10	
15	22002077	SEAL, TUB COVER	1	Series 10	
16	22002050	CLIP, TUB TO COVER	12	Series 10	
17	22003212	COVER, TUB (W/SEAL) (ASP)--W	1	Series 10	
17	22004079	OUTER TUB/TUB COVER KIT	1	Series 22	
17	22004254	COVER, TUB W/SEAL&CAPS ASPK	1	Series 30	
18	22003074	GUARD, HOSE	1	Series 10	
19	22002099	SPRING, TUB	1	Series 10	
20	22003071	HOSE, DOOR BOOT DRAIN	1	Series 10	
21	Y22003072	CLAMP, HOSE DOUBLE WIRE	1	Series 10	
22	22003070	DOOR BOOT W/DRAIN (GRAY)	1	Series 10	
23	22003073	CLAMP, HOSE DOUBLE WIRE	1	Series 10	

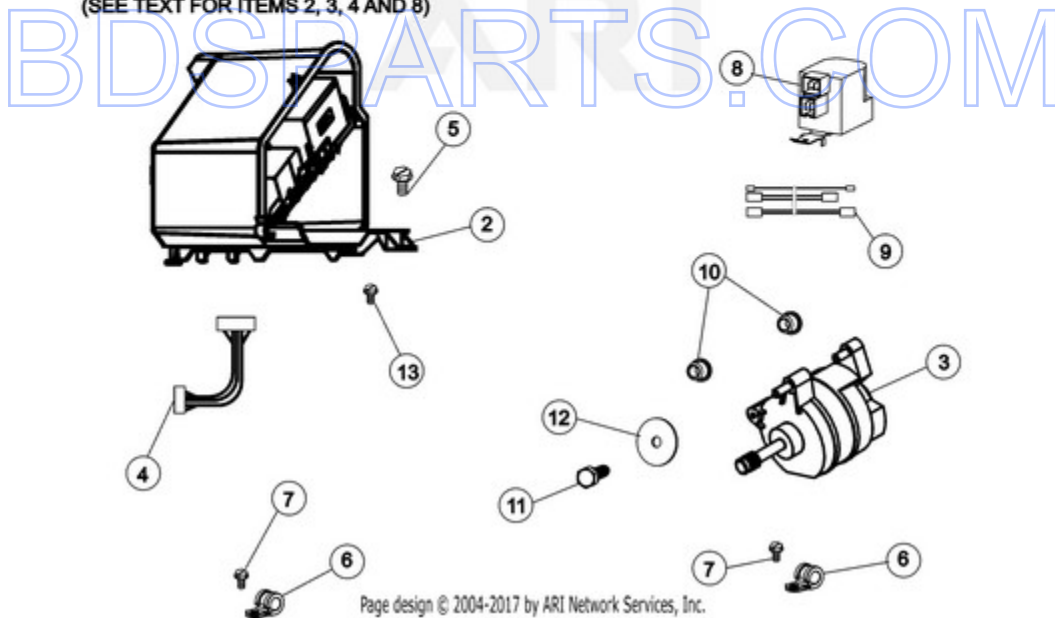
MAH20PRAWW - 11 - MOTOR & MOTOR CONTROL



ITEM 1
KIT CONTAINS:

							
120002040 MOTOR W/ISOLATORS	22004046 MOTOR CONTROL BOARD	22004047 MOTOR HARNESS	22003854 AC LINE FILTER	22004102 T" CLIPS (2)	22002300 SCREW T" CLIPS TO MOTOR	22004101 LOWER JUMPER WIRE HARNESS	22004103 SCREW GROUND

(SEE TEXT FOR ITEMS 2, 3, 4 AND 8)



Ref #	Part #	Description	Qty	Note
1	12002039	NEPTUNE MOTOR CONVERSION KIT	1	Series 10
2	22004046	CONTROL ASSY., MOTOR	1	Series 10
3	22003856	MOTOR, VARIABLE SPEED	1	Series 10
4	22004047	HARNESS, MOTOR/MOTOR CONTROL	1	Series 10
5	33002190	SCREW (No.10-3/8``)	2	Series 10
6	22004102	P CLIPS	2	Series 10
7	22002300	SCREW	2	Series 10
8	22003854	EMI SUPPRESSION FILTER, 12A	1	Series 10
9	22004101	REPAIR JUMPER HARNESS	1	Series 10
10	22003329	ISOLATOR, MOTOR	2	Series 10
11	22003686	BOLT, MOTOR	1	Series 10
12	22002320	WASHER, STRUT	1	Series 10
13	22004103	SCREW	1	Series 10

BDSPARTS.COM