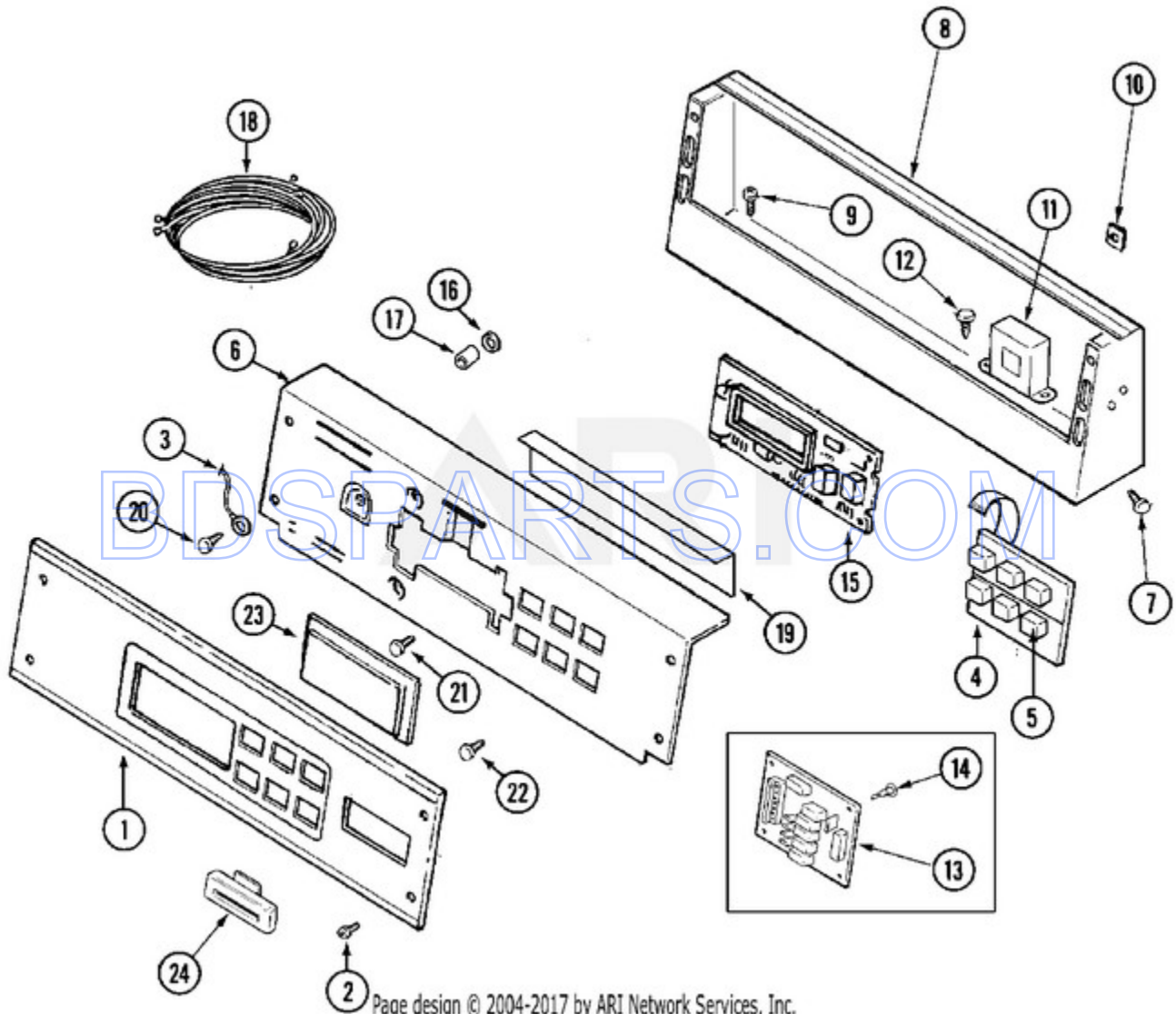
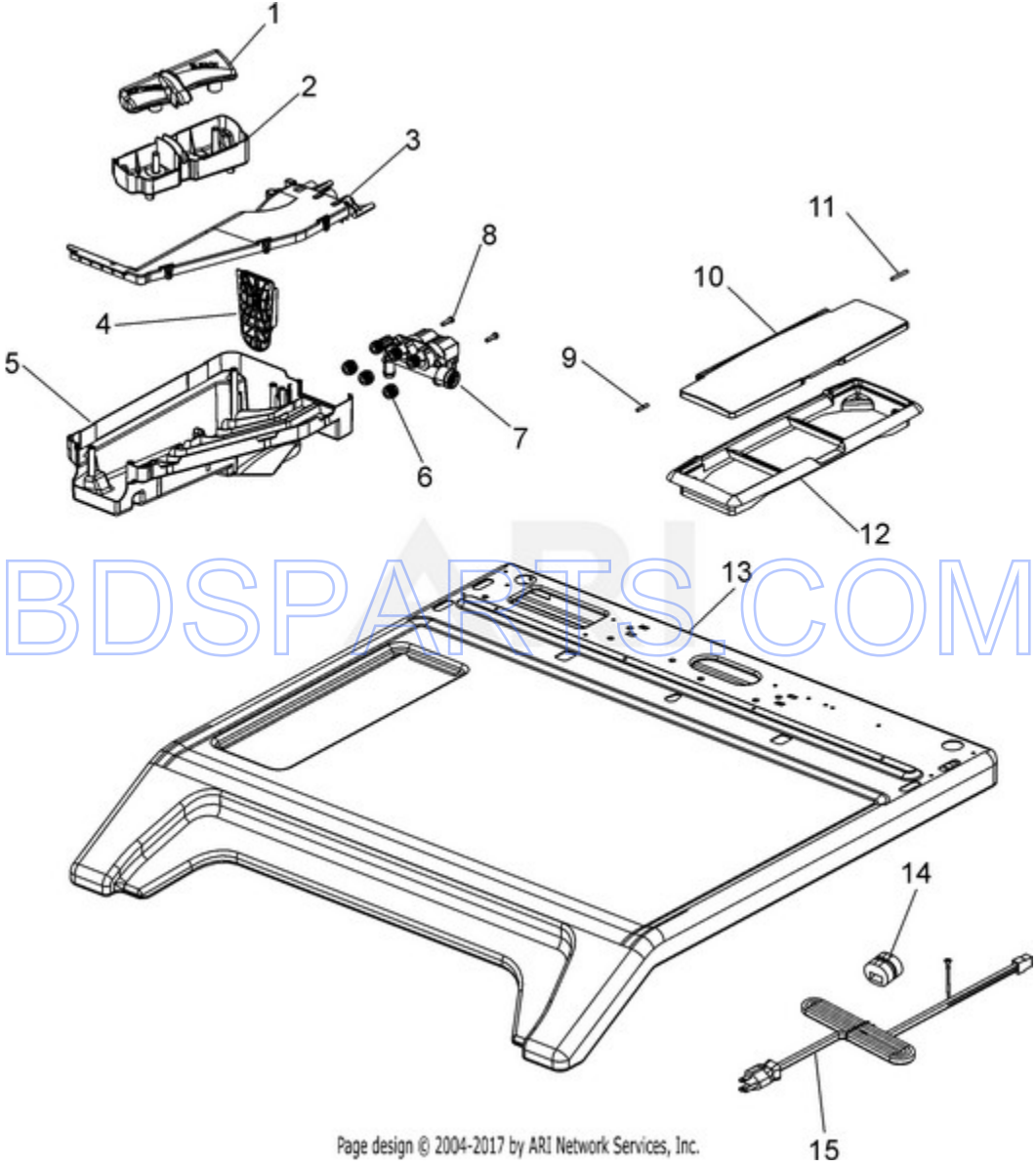


MAH21PRDWW - 01 - CONTROL PANEL



Ref #	Part #	Description	Qty	Context	Note	MSRP
1	22004351	Facia - PR (CONTROL PANEL)	1	Series	10	
2	215506	SCREW, CONTROL PANEL	4	Series	10	
3	205810	WIRE, GROUND	1	Series	10	
4	206808	CONTROL SWITCH ASSEMBLY	1	Series	10	
4	215527	SCREW, CONTROL SWITCH	2	Series	10	
5	215517	PUSHBUTTON, CONTROL SWITCH	2	Series	10	
6	22002354	SCREW	3	Series	10	
6	22003697	BRACKET, BACK (WHT)	1	Series	10	
7	212276	SCREW	2	Series	10	
7	33002156	LOCKNUT, WASHERED	12	Series	10	
8	216423	SCREW, CONT COVER TO TOP COVER	3	Series	10	
8	22003101	CONSOLE (WHT)	1	Series	10	
9	22002925	SCREW, CONSOLE	5	Series	10	
10	215003	FASTENER, SCREW	2	Series	10	
11	22001960	TRANSFORMER	1	Series	10	
12	22002925	SCREW, TRANSFORMER	2	Series	10	
13	22004172	RELAY BOARD DRS	1	Series	10	
14	22002782	PAD, FOAM (SOUND DAMPENER)	1	Series	14	
14	33001204	STANDOFF, CIRCUIT BOARD	4	Series	10	
15	22004335	CONTROL BOARD (COMM)	1	Series	10	
16	912077	LOCKNUT, CONTROL BOARD	6	Series	10	
17	22002943	STAND-OFF	4	Series	10	
18	NLA	WIRE HARNESS PR (MAIN)	1	Series	10	
18	Y2205142	HARNESS, WIRE	1	Series	23	
19	22002954	DEFLECTOR, WATER (W/ADHESIVE)	2	Series	10	
20	210186	SCREW, GROUND WIRE TO BK BRKT	1	Series	10	
21	215526	SCREW, CIRCUIT BOARD	2	Series	10	
22	215527	SCREW, BACK BRACKET	2	Series	10	
23	22001962	COVER, DISPLAY	1	Series	10	
24	22001976	BEZEL	1	Series	10	
25	22002155	HARNESS KIT, READER (12``)	1	Series	10	
26	22001973	HARNESS, PR SERVICE	1	Series	10	

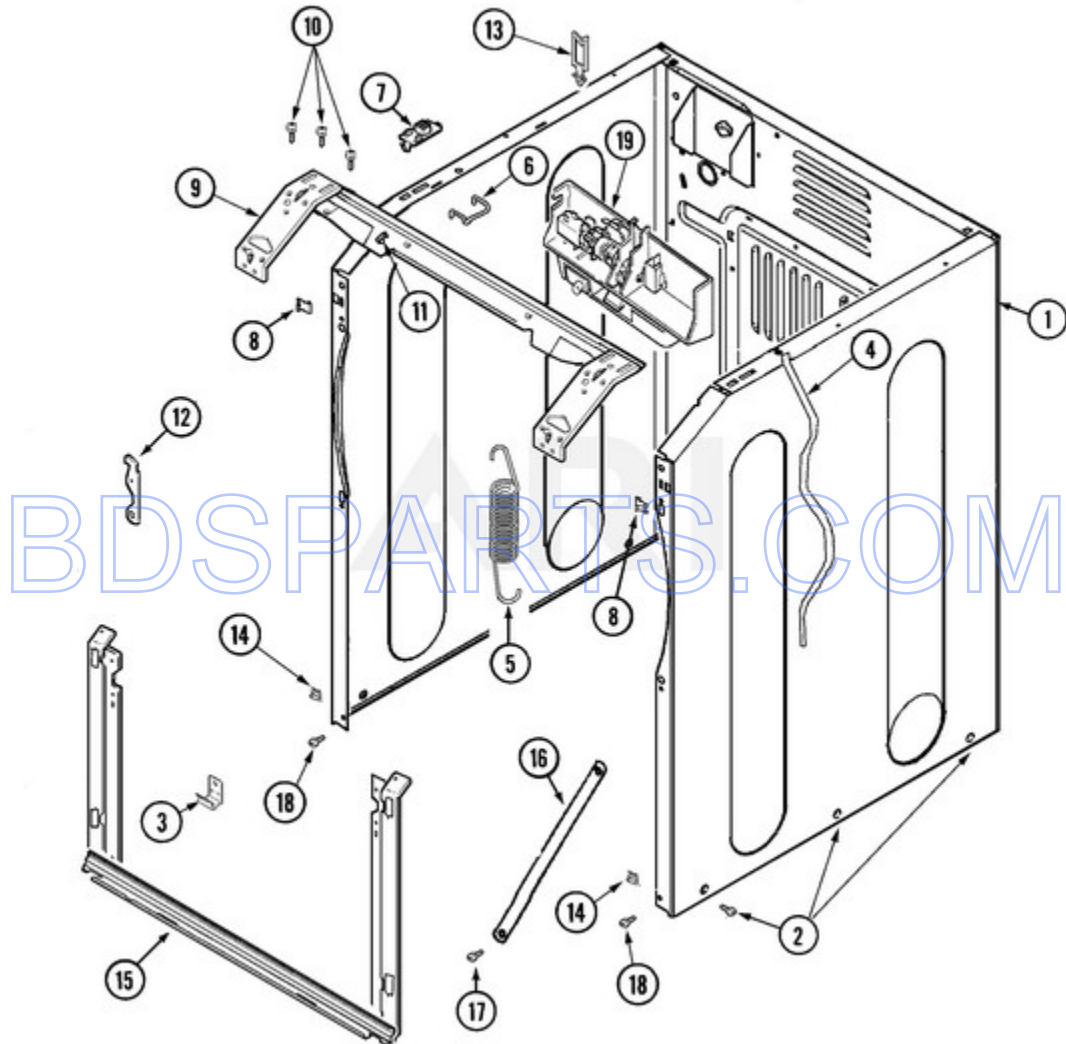
MAH21PRDWW - 02 - TOP



Ref #	Part #	Description	Qty	Context Note	MSRP
1	22003849	SIPHON CAP	1	Series 10	
2	22003848	SIPHON CUP	1	Series 10	
3	22003845	DISPENSER COVER (FLUME)	1	Series 10	
4	22003321	GRID, DISPENSER	1	Series 10	
5	22003844	DISPENSER BOTTOM	1	Series 10	
6	22003847	VALVE SEAL	3	Series 10	
7	22003846	DISPENSER VALVE	1	Series 10	
8	22002243	SCREW	1	Series 10	
9	Y912679	PIN, HINGE (SHORT)	1	Series 10	
10	22002941	LID, DISPENSER	1	Series 10	
11	Y912678	PIN, HINGE (LONG)	1	Series 10	
12	22003665	BEZEL, DISPENSER	1	Series 10	
13	22004180	COVER, TOP (WHT-AS PK)	1	Series 10	
14	211881	GROMMET, CORD	1	Series 10	
15	22003062	CORD, POWER (AS WRAPPED)	1	Series 10	

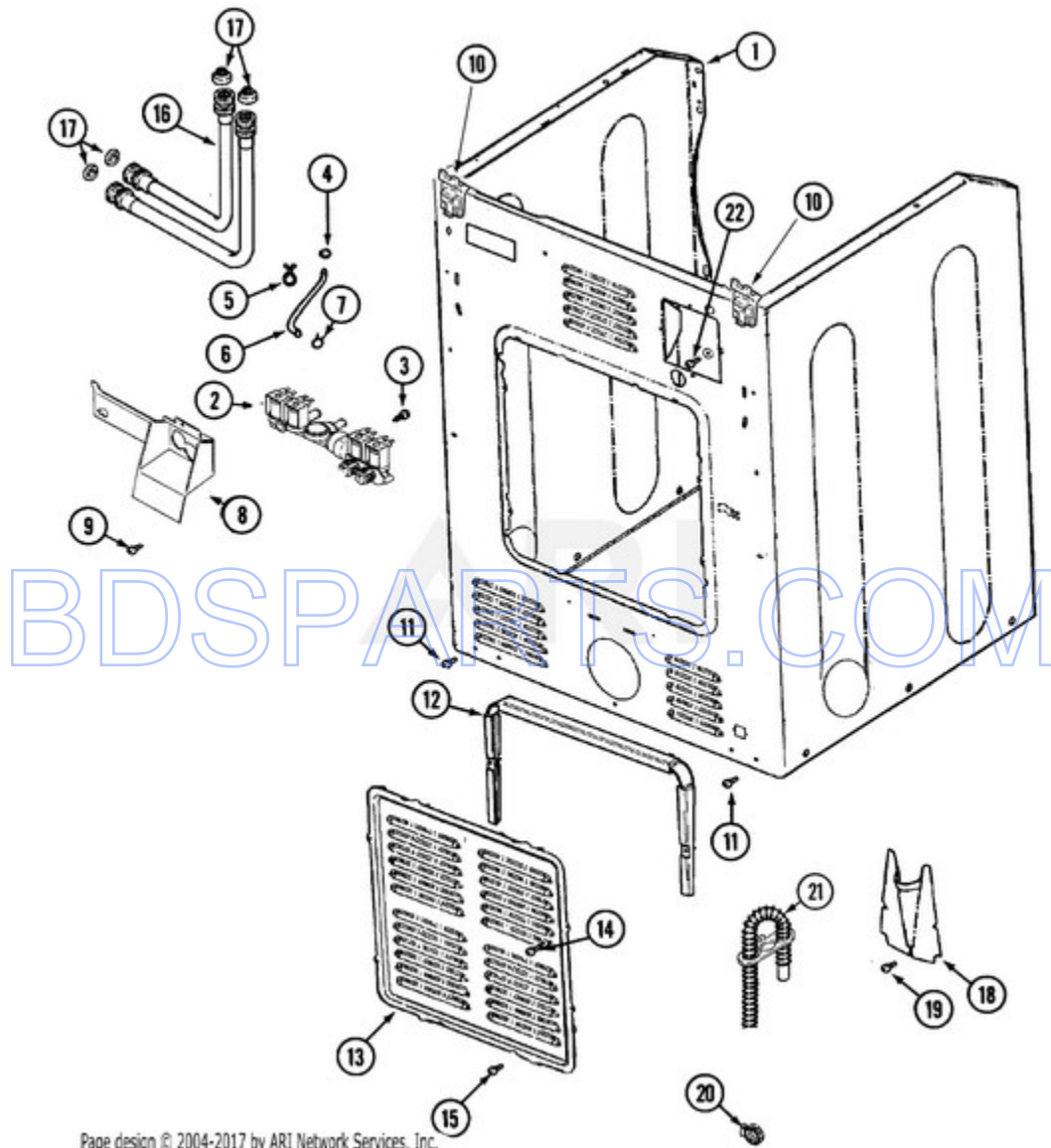
BDSPARTS.COM

MAH21PRDWW - 03 - CABINET-FRONT



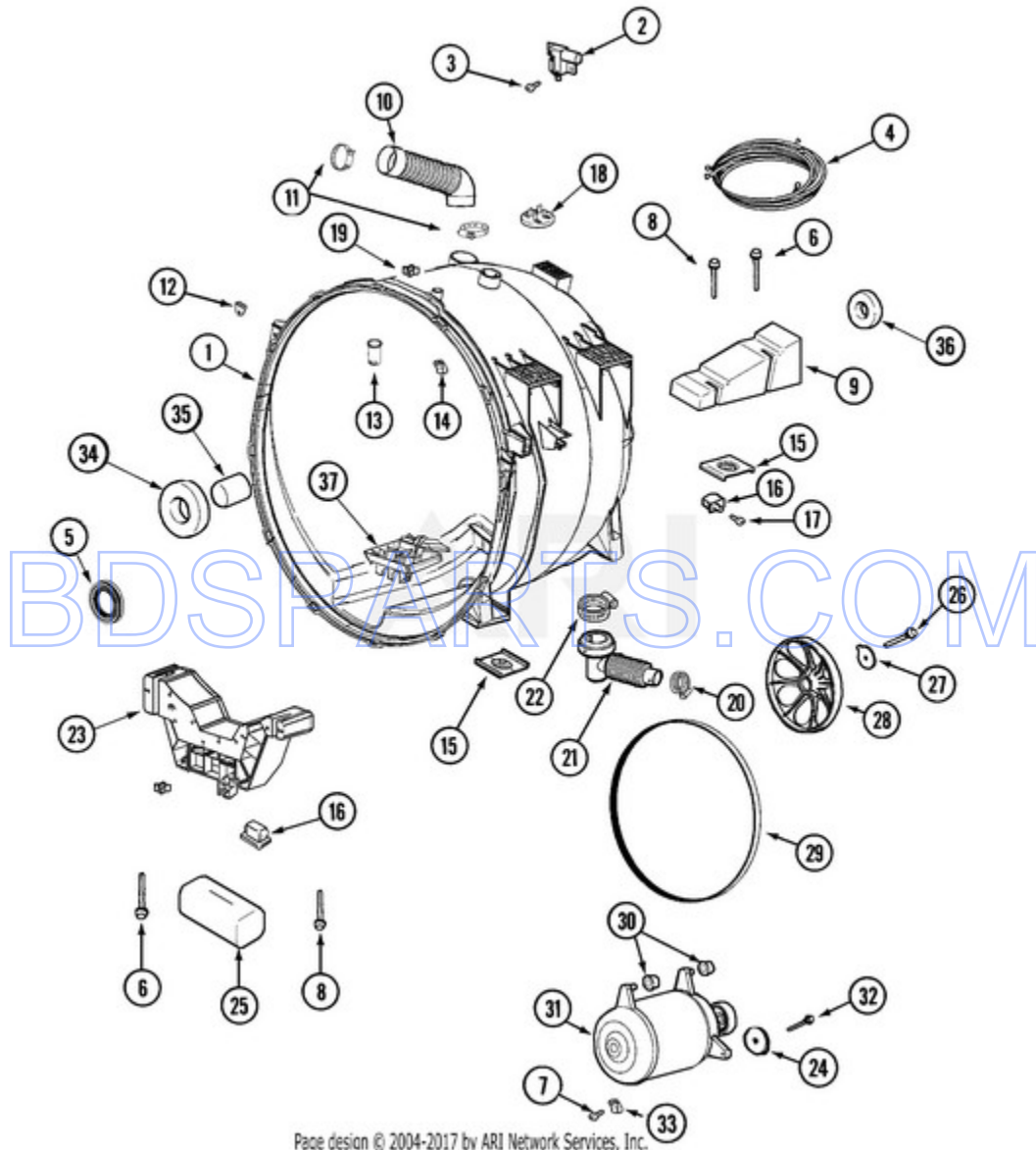
Ref #	Part #	Description	Qty	Context	Note	MSRP
1	22003639	CABINET ASSY. (WHT AS PK)	1	Series	10	
2	213007	SCREW, CABINET (TRUSS)	6	Series	10	
3	22002239	CLIP, LOWER FRONT PANEL	2	Series	10	
4	33001836	STRAP, TOP COVER SUPPORT	1	Series	10	
5	22003254	SPRING, CABINET TO TUB	2	Series	10	
6	22002297	SUPPORT, SPRING	2	Series	10	
7	22001997	SPACER, TOP COVER	2	Series	10	
8	22002049	CLIP, FRONT PANEL	2	Series	10	
9	22003637	BRACE ASSEMBLY, TOP CROSS	1	Series	10	
10	22001995	SCREW, SHROUD SUPPORT-CABINET	6	Series	10	
11	22002014	CLIP, WIRE HARNESS	1	Series	10	
12	33002597	HOOK, SECURITY	2	Series	10	
13	22003298	RETAINER, WIRE	2	Series	10	
14	22002013	STOP, SHIPPING	4	Series	10	
15	22001995	SCREW, SHROUD TO CORNER BRACE	4	Series	10	
15	22003638	SHROUD SUPPORT ASSEMBLY	1	Series	10	
16	22002259	BRACE, CROSS	2	Series	10	
17	22001995	SCREW, CROSS BRACE	4	Series	10	
18	22001995	SCREW, FRONT CABINET	2	Series	10	
19	22003706	DOOR LOCK ASSEMBLY, COMMERCIAL	1	Series	10	

MAH21PRDWW - 04 - CABINET-REAR



Ref #	Part #	Description	Qty	Context	Note	MSRP
1	22003639	CABINET ASSY. (WHT AS PK)	1	Series	10	
2	22004186	VALVE, WATER	1	Series	10	
3	22002436	SCREW, WATER VALVE	2	Series	10	
4	22002054	CLAMP, STEPLESS	1	Series	10	
5	22003707	CABLE, TIE	1	Series	10	
6	22002083	HOSE, INJECTOR	1	Series	10	
7	216169	CLAMP,HOSE-INJEC.HOSE TO VALVE	1	Series	10	
8	33002212	BRACKET, WATER VALVE	1	Series	10	
9	22002436	SCREW	2	Series	10	
10	22004095	HINGE, PLASTIC	1	Series	10	
11	22001995	SCREW	2	Series	10	
12	22002022	SPACER, ACCESS PANEL	1	Series	10	
13	22002092	PANEL, ACCESS	1	Series	10	
13	22004355	REAR ACCESS PANEL	1	Series	11	
14	22002295	SCREW	2	Series	10	
15	22001996	SCREW	2	Series	10	
16	22003682	INLET HOSE ASSY (COLD)	1	Series	10	
16	22003683	INLET HOSE ASSY (HOT)	1	Series	10	
17	12001413	STRAINER & WASHER KIT	4	Series	10	
18	22002704	COVER, DRAIN HOSE	2	Series	10	
19	22001995	SCREW	2	Series	10	
20	22001984	CLAMP, DRAIN HOSE	2	Series	10	
21	22002892	RETAINER, DRAIN HOSE	1	Series	10	
21	22003319	HOSE, DRAIN (CORR)(80 1/2`)	1	Series	10	
22	NLA	SCREW----NA	2	Series	10	

MAH21PRDWW - 05 - OUTER TUB & MOTOR

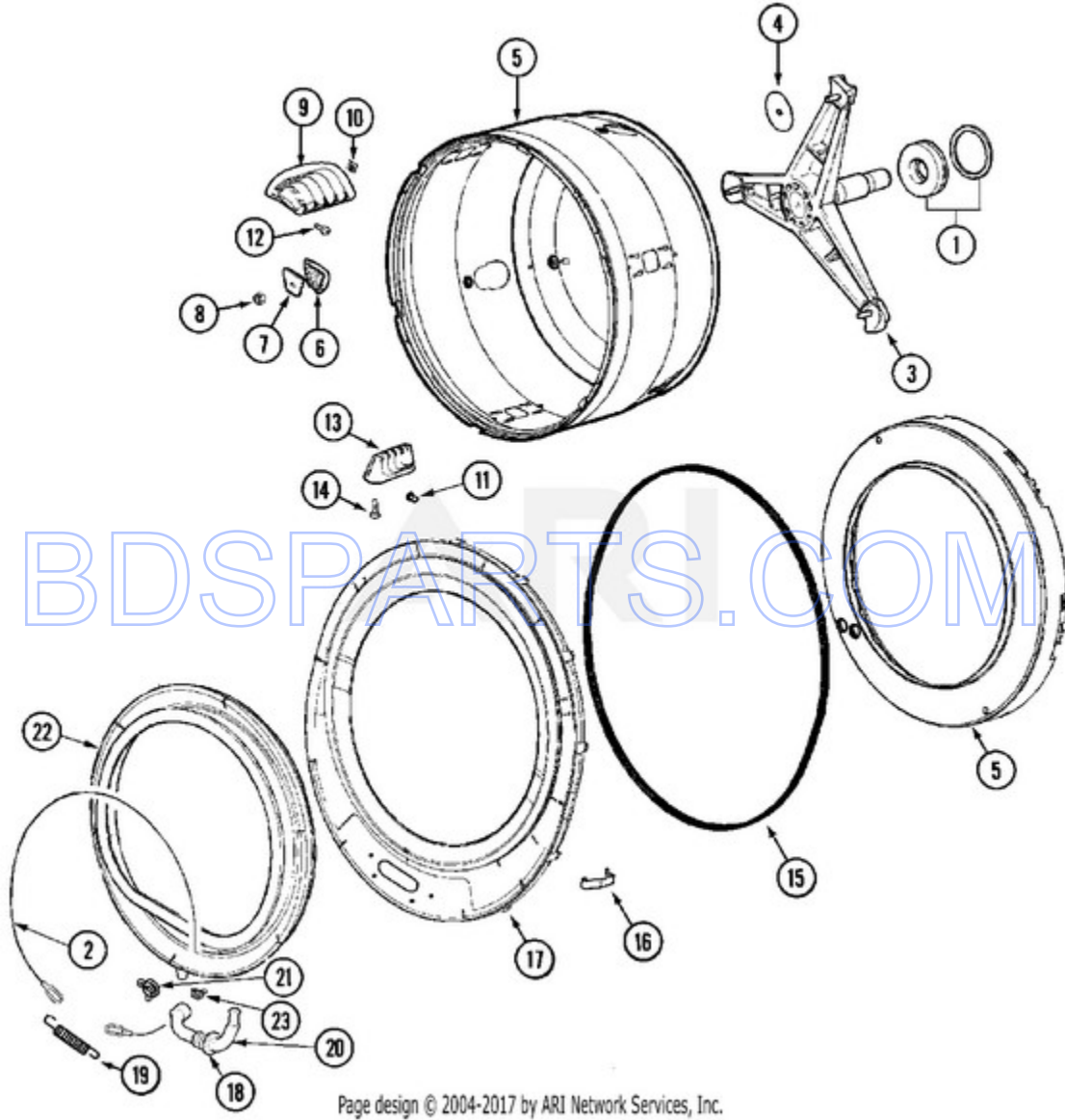


Ref #	Part #	Description	Qty	Context	Note	MSRP
1	22004465	OUTER TUB ASSY, AS PACK	1	Series	10	
2	22003302	SWITCH, INTERNAL UNBALANCE	1	Series	10	
3	22002061	SCREW	2	Series	10	
4	22004052	HARNESS UPPER SUB ASSY	1	Series	10	
5	12002022	LIP SEAL KIT	1	Series	10	
6	22003615	BOLT (LONG)	1	Series	10	
6	33002973	SCREW, No.9-15 X 1.00 HX WS	2	Series	20	
7	22002019	SCREW	4	Series	10	
8	22003616	BOLT, SHORT	1	Series	10	
8	33002973	SCREW, No.9-15 X 1.00 HX WS	2	Series	20	
9	22002102	WEIGHT, COUNTER BALANCE	1	Series	10	
10	22002083	HOSE, INJECTOR	1	Series	10	
11	22003627	CLAMP, STEPLESS	2	Series	10	
12	22002103	CLIP, U	2	Series	10	
13	22004310	WATER DEFLECTOR	1	Series	10	
14	22002006	CLIP, WIRE HARNESS & OUTER TUB	6	Series	10	
15	22002065	NUT, COUNTER BALANCE	4	Series	10	
16	22002044	SWITCH, TUB DISPLACEMENT	2	Series	10	
17	22002061	SCREW	1	Series	10	
18	22002797	CLIP, HOSE (SADDLE HORN)	1	Series	10	
19	22002006	CLIP	1	Series	10	
19	22002019	SCREW	1	Series	10	
20	22001984	CLAMP, DRAIN HOSE	1	Series	10	
21	22003262	HOSE, TUB TO PUMP OUTLET	1	Series	10	
22	22002053	CLAMP, SUMP HOSE	1	Series	10	
23	22003826	LOWER BRACKET	1	Series	10	
23	22004472	BRACKET, LOWER	1	Series	19	
23	33002973	SCREW, No.9-15 X 1.00 HX WS	4	Series	20	
24	22002320	WASHER, STRUT	1	Series	10	
25	22003827	CUSHION	1	Series	10	
26	22002057	SCREW, SPINNER	1	Series	10	
27	22003936	WASHER (1 1/4")	1	Series	10	
28	22002315	PULLEY, SPINNER	1	Series	10	
29	22002313	BELT, DRIVE	1	Series	10	
30	22003329	ISOLATOR, MOTOR	1	Series	10	
31	22003856	MOTOR, VARIABLE SPEED	1	Series	10	
32	22003686	BOLT, MOTOR	1	Series	10	
33	22002006	CLIP	1	Series	10	
34	22002934	BEARING, FRONT	1	Series	10	

Ref #	Part #	Description	Qty	Context Note	MSRP
35	22002935	SPACER, BEARING	1	Series 10	
36	22003441	BEARING, REAR	1	Series 10	
37	22002059	SCREW	2	Series 10	
37	22003710	SUMP CAP W/ LABYRINTH FEATURE	1	Series 10	

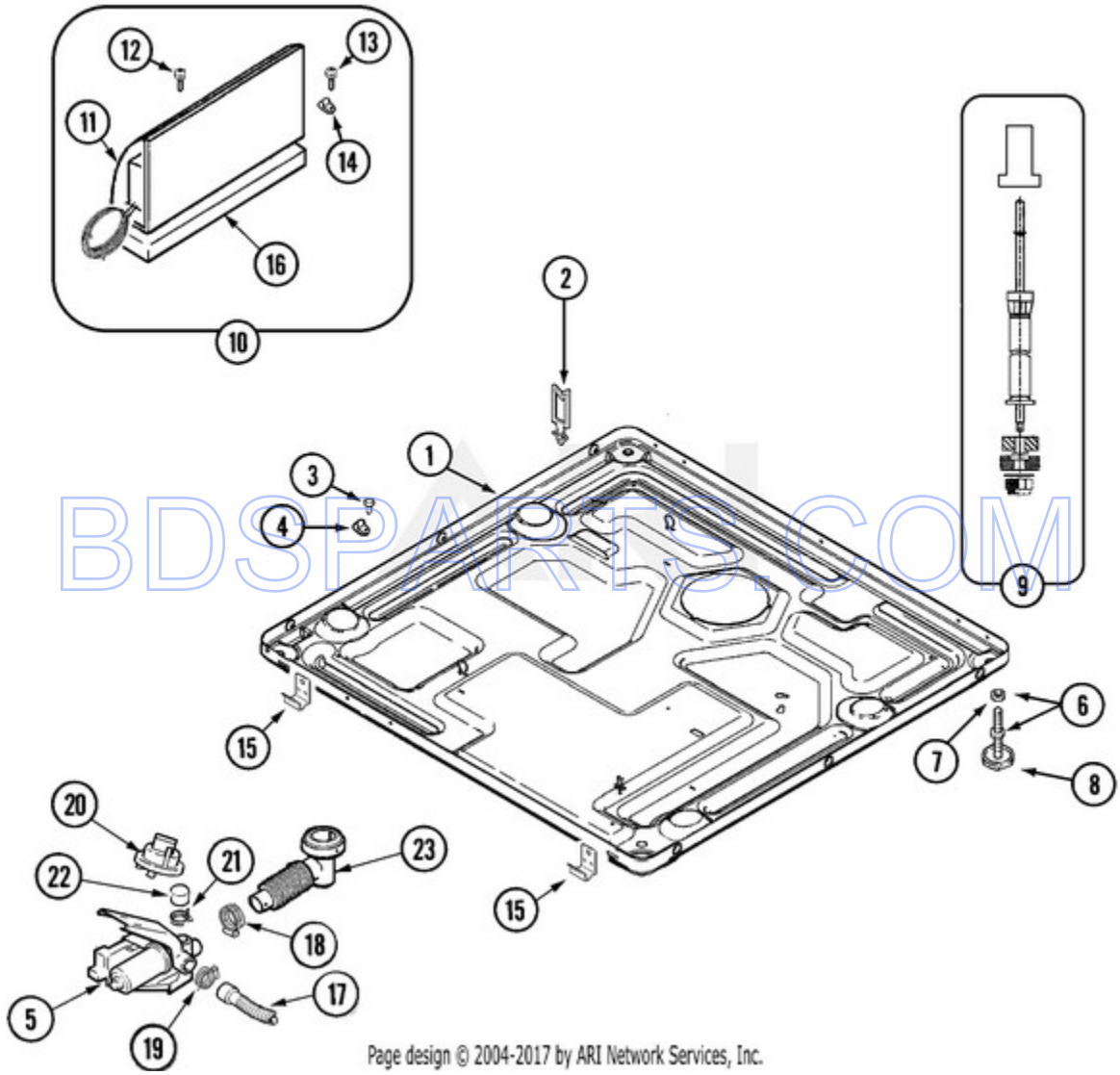
BDSPARTS.COM

MAH21PRDWW - 06 - SPINNER ASSEMBLY & OUTER TUB COVER



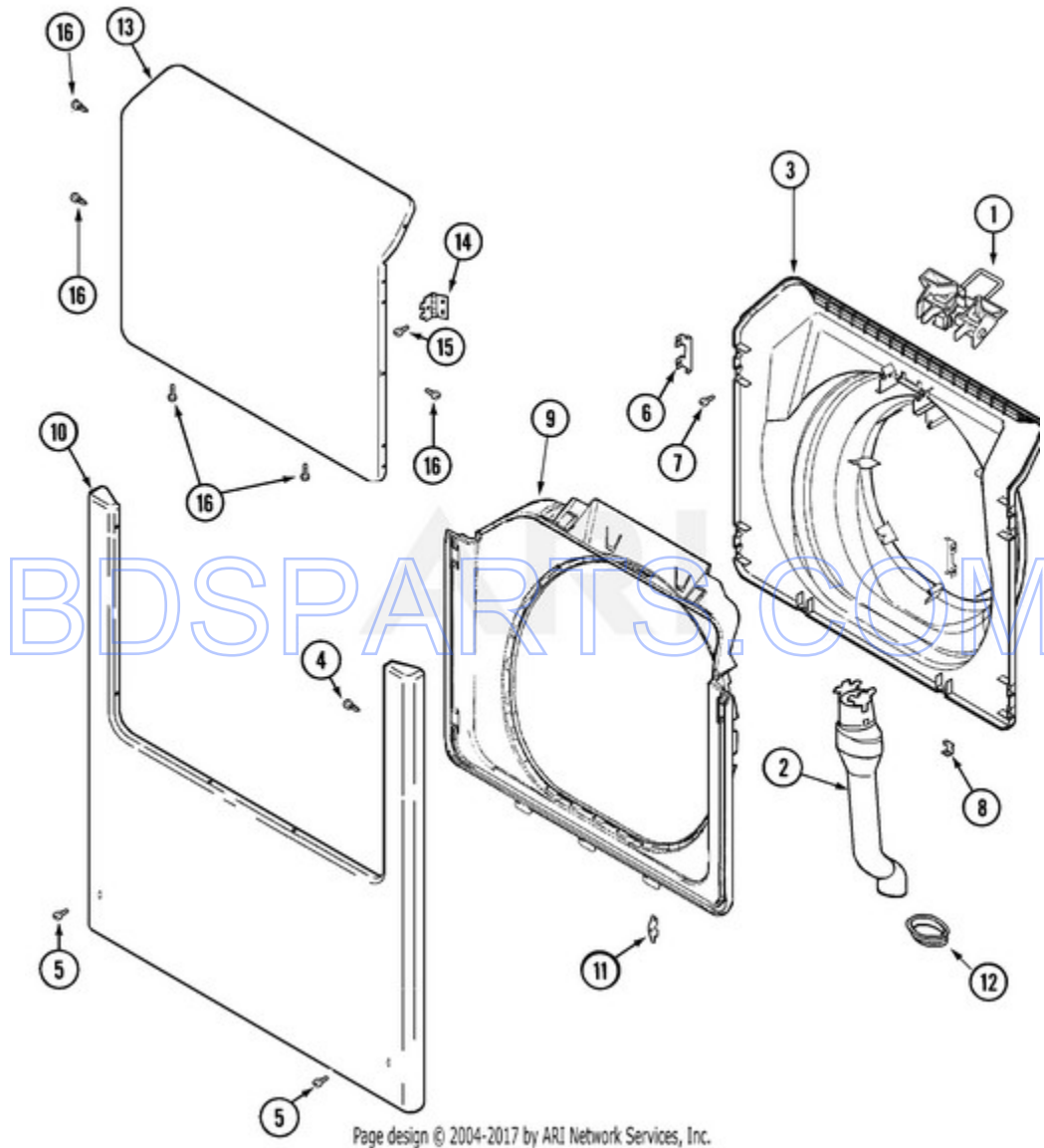
Ref #	Part #	Description	Qty	Note
1	12002022	LIP SEAL KIT		1 Series 10
2	22002327	BOOT CABLE CLAMP		1 Series 10
3	22004081	SPINNER SUPPORT ASSY AS-PK KIT		1 Series 10
4	22002023	WASHER, PLASTIC		3 Series 10
5	22003670	SPINNER ASSY W` BALANCE RING		1 Series 10
6	22002482	WASHER, PROFILE		3 Series 10
7	22002020	WASHER, SPINNER SUPPORT		3 Series 10
8	22002122	NUT, SPINNER ATTACHMENT		3 Series 10
9	22001985	BAFFLE, DRIP (REAR)		3 Series 10
10	22002009	GROMMET, BAFFLE (REAR)		3 Series 10
11	22001999	GROMMET, BAFFLE (FRT)		3 Series 10
12	22003556	SCREW, BAFFLE (REAR)		6 Series 10
13	22001986	BAFFLE, DRIP (FRONT)		3 Series 10
14	22002059	SCREW, BAFFLE (FRONT)		7 Series 10
15	22002077	SEAL, TUB COVER		1 Series 10
16	22002050	CLIP, TUB TO COVER		12 Series 10
17	22004264	ASSY., TUB COVER & SEAL		1 Series 10
18	22003074	GUARD, HOSE		1 Series 10
19	22002099	SPRING, TUB		1 Series 10
20	22003071	HOSE, DOOR BOOT DRAIN		1 Series 10
21	Y22003072	CLAMP, HOSE DOUBLE WIRE		1 Series 10
22	22003893	DOOR BOOT, BLACK		1 Series 10
23	22003073	CLAMP, HOSE DOUBLE WIRE		1 Series 10

MAH21PRDWW - 07 - BASE & MOTOR CONTROL



Ref #	Part #	Description	Qty	Context Note	MSRP
1	22003926	COMMERCIAL BASE WELD ASSY	1	Series 10	
2	22003298	RETAINER, WIRE	7	Series 10	
3	Y313561	SCREW, WIRE HARNESS CLIP	1	Series 10	
4	22003327	CLIP, WIRE HARNESS	1	Series 10	
5	22003244	DRAIN PUMP ASSEMBLY	1	Series 10	
6	22003544	ADJUSTABLE LEG W/FOOT & NUT	4	Series 10	
7	Y052740	NUT	4	Series 10	
8	210684	FOOT, RUBBER	4	Series 10	
9	22001988	STRUT ASSY-REAR	1	Series 10	
10	22004046	CONTROL ASSY., MOTOR	1	Series 10	
10	22004473	MOTOR CONTROL ASSEMBLY	1	Series 23	
11	22003614	SHIELD, MOTOR CONTROL DRIP	1	Series 10	
12	212276	SCREW, MOTOR CONTROL BRACKET	2	Series 10	
13	22002019	SCREW, WIRE CLIP TO MTR CNT	1	Series 10	
14	22003327	CLAMP, LCD HARNESS TO COVER	1	Series 10	
15	22001995	SCREW, LOWER FRT PANEL TO BASE	2	Series 10	
15	22002239	CLIP, LOWER FRONT PANEL	2	Series 10	
16	22003548	BRACKET, MTG. (SR MOTOR CTL)	1	Series 10	
17	22003319	HOSE, DRAIN (CORR)(80 1/2`)	1	Series 10	
18	202515	HOSE CLAMP (1-1/16 INCH)	1	Series 10	
18	22001984	CLAMP, DRAIN HOSE	1	Series 10	
19	22002053	CLAMP, SUMP HOSE	1	Series 10	
20	22003728	SWITCH, PRESSURE	1	Series 10	
21	22002853	CLAMP, HOSE	1	Series 10	
22	22003268	CAP, RUBBER	1	Series 10	
23	22003262	HOSE, TUB TO PUMP	1	Series 10	

MAH21PRDWW - 08 - DOOR, SHROUD, & FRONT PANEL



Ref #	Part #	Description	Qty	Context	Note	MSRP
1	22003269	DOOR, LOCK HOOP ASSEMBLY	1	Series	10	
2	22003850	VENT TUBE ASSEMBLY	1	Series	10	
3	22003275	DOOR, INNER (WHT)	1	Series	10	
4	22002244	CLIP, GROUNDING	4	Series	10	
5	33002190	SCREW (No.10-3/8`)	2	Series	10	
6	22002038	CLIP, DOOR (DOUBLE)	4	Series	10	
7	22002007	SCREW	1	Series	10	
8	22002039	CLIP, DOOR (SINGLE)	2	Series	10	
9	22003516	SHROUD (WHT)	1	Series	10	
10	22002836	PANEL, FRONT (WHT)	-	Series	10	
11	33001764	COVER, HINGE HOLE (WHT)	-	Series	10	
11	33001846	SCREW	2	Series	10	
12	22003075	GROMMET, VENT TUBE	1	Series	10	
13	22003785	DOOR, OUTER (WHT)	1	Series	10	
14	22002798	HINGE, DOOR	2	Series	10	
15	22002062	SCREW	4	Series	10	
15	22002243	SCREW	4	Series	10	
15	22002244	CLIP, GROUNDING	1	Series	10	
16	22002063	SCREW No.8-18AB WAFER HD	1	Series	10	