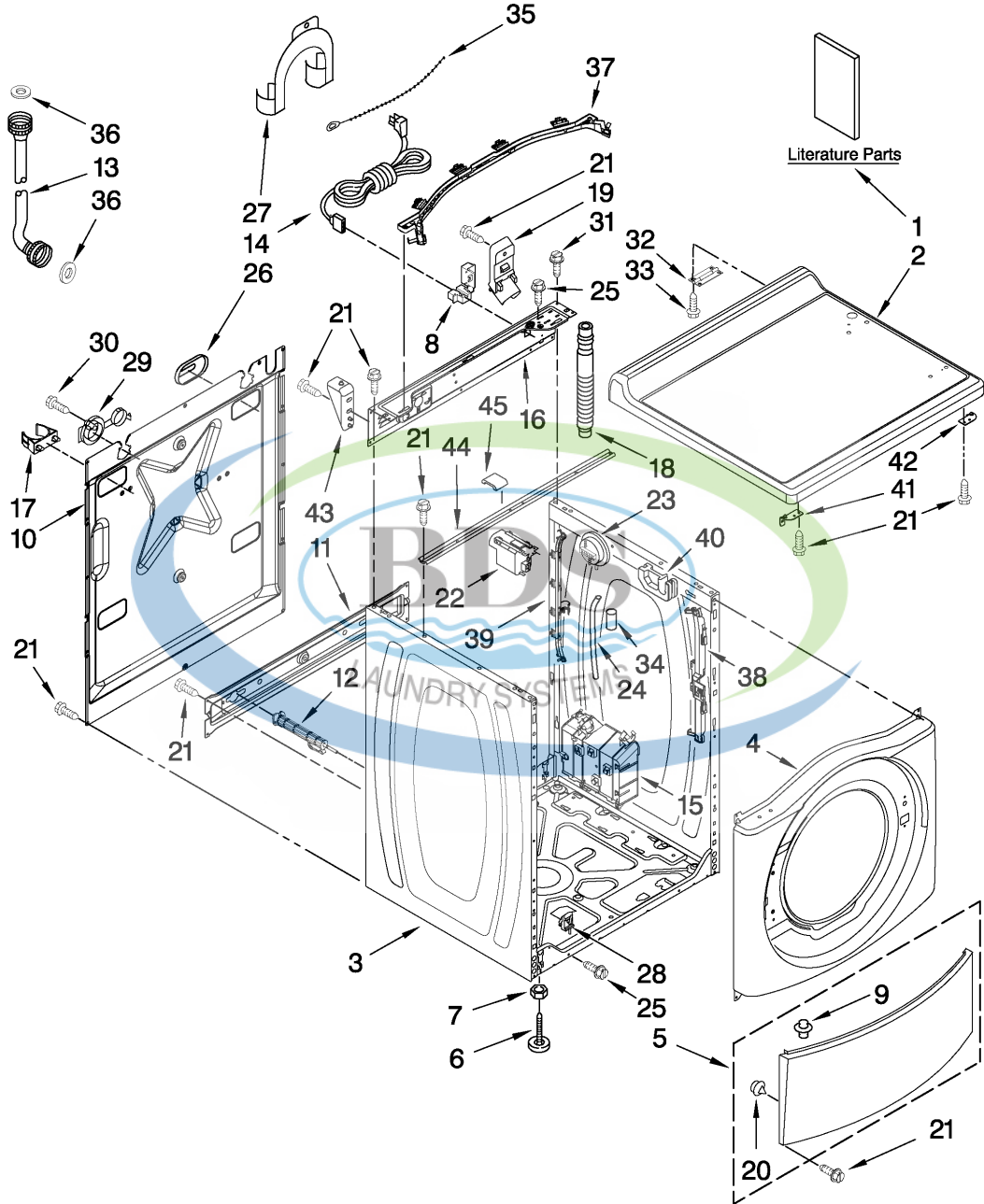


TOP AND CABINET PARTS

For Model: MAH22PDBWW0
(White)



FOR ORDERING INFORMATION REFER TO PARTS PRICE LIST

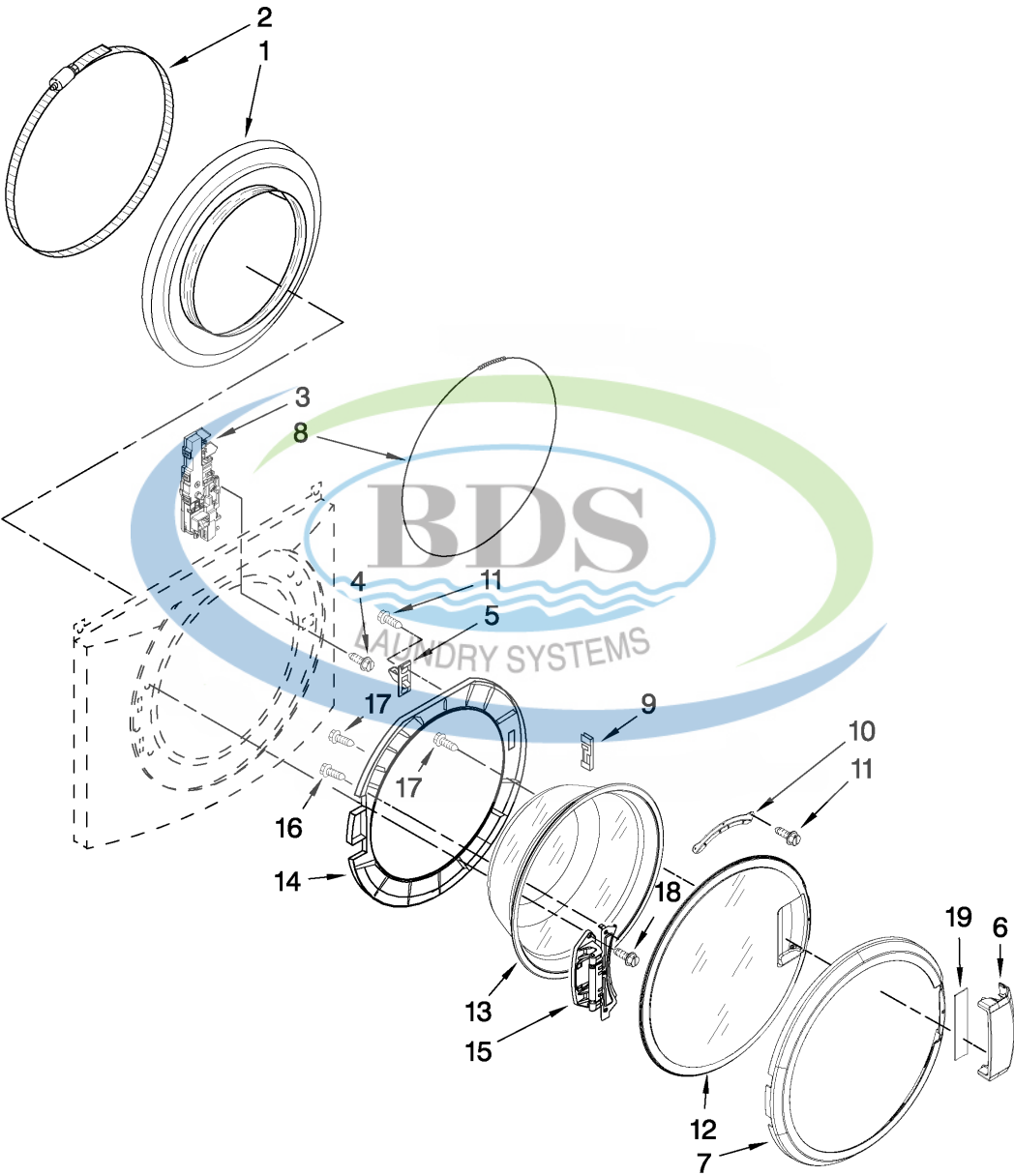
W10276411

Ref #	Part Number	Qty.	Description
1	NLA		INSTALLATION INSTRUCTIONS
1	NLA		TECH SHEET (ENGLISH)
1	NLA		TECH SHEET (FRENCH)
1	NLA		REPAIR PARTS LIST
2	W10137411		Top
3	W10410294		Cabinet
4	W10306505		Panel, Front
5	8540664		Toe Panel
6	W10245373		FOOT, LEVELING (4)
7	3359452		Nut, Lock (4)
8	8182635		Strain Relief, Power Cord
9	8518891		RIVET
10	8540582		Panel, Rear
11	W10189659		Brace, Transport
12	W10763471		Bolt, Shipping (4)
13	89503		HOSE, WATER INLET (COLD WATER)
13	89503		HOSE, WATER INLET (HOT WATER)
14	W10205499		CORD, POWER
15	W10197864		Motor Control Unit
16	W10161694		Brace, Rear
17	W10182936		CLAMP, TUBE TRANSPORTATION
18	W10114608		Hose, Drain
19	8540607		Retainer, Hose Outlet
20	238614		Bumper (2)
21	489442		Screw, 8-18 x 5/8
22	W10367632		Filter, Interference
23	W10163980		Switch, Pressure
24	8540294		Hose, Pressure Switch
25	8540479		Screw, Grounding
26	8540268		Cover, Transport
27	W10280024		U-Bend, Drain Hose
28	W10085220		Microswitch (2)
29	8182699		Sleeve, Cord Support (2)
30	8182201		Screw, 3 x 8 mm
31	NLA		SCREW
32	8565018		Hinge & Pin Assembly
33	488627		Screw, 8-18 x 1/2
34	2162499		Sleeve, Pressure Switch Hose
35	W10339879		Cable Tie
36	16123		Washer, Water Inlet Hose (4) (1-1/16 x 5/8)
37	W10168548		Harness Channel, Top Rear
38	W10168546		Harness Channel, Side Front
39	W10168547		Harness Channel, Side Rear
40	8540643		Bracket, Spring
41	W10137445		BRACKET - TOP PANEL, LEFT
42	W10137444		BRACKET - TOP PANEL, RIGHT
43	W10137398		STOP, TOP PANEL
44	8540721		BRACE, TOP
45	8283273		DAMPER, BRACE (6)



DOOR AND LATCH PARTS

For Model: MAH22PDBWW0
(White)



FOR ORDERING INFORMATION REFER TO PARTS PRICE LIST

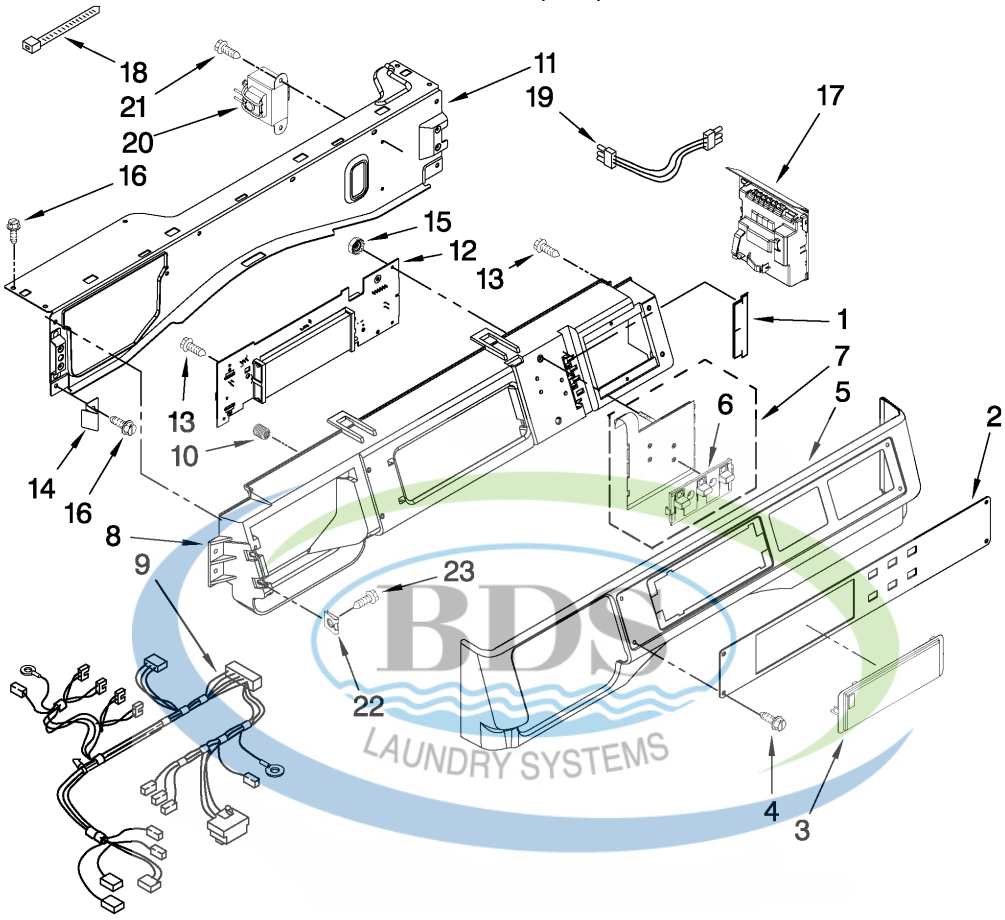
W10276411

Ref #	Part Number	Qty.	Description
1	W10130455		Bellow
2	8540108		CLAMP, BELLOW TO TUB
3	W10375379		Lock, Door
4	8540725		SCREW
5	8540221		Hook, Door
6	W10112925		Handle, Door (Includes Item 19)
7	W10112914		Trim Ring, Outer Door
8	W10217563		CLAMP, BELLOW TO FRONT PANEL
9	8540115		Clamp, Support
10	8540114		Clamp, Glass (2)
11	NLA		SCREW
12	W10137404		Frame, Door Front Assembly
13	W10388315		Glass, Door
14	W10138523		Frame, Door Back Support
15	W10118967		Hinge, Door
16	8181660		SCREW
17	8540282		SCREW
18	489442		Screw
19	W10112927		Pad, Door Handle



CONTROL PANEL PARTS

For Model: MAH22PDBWW0
(White)



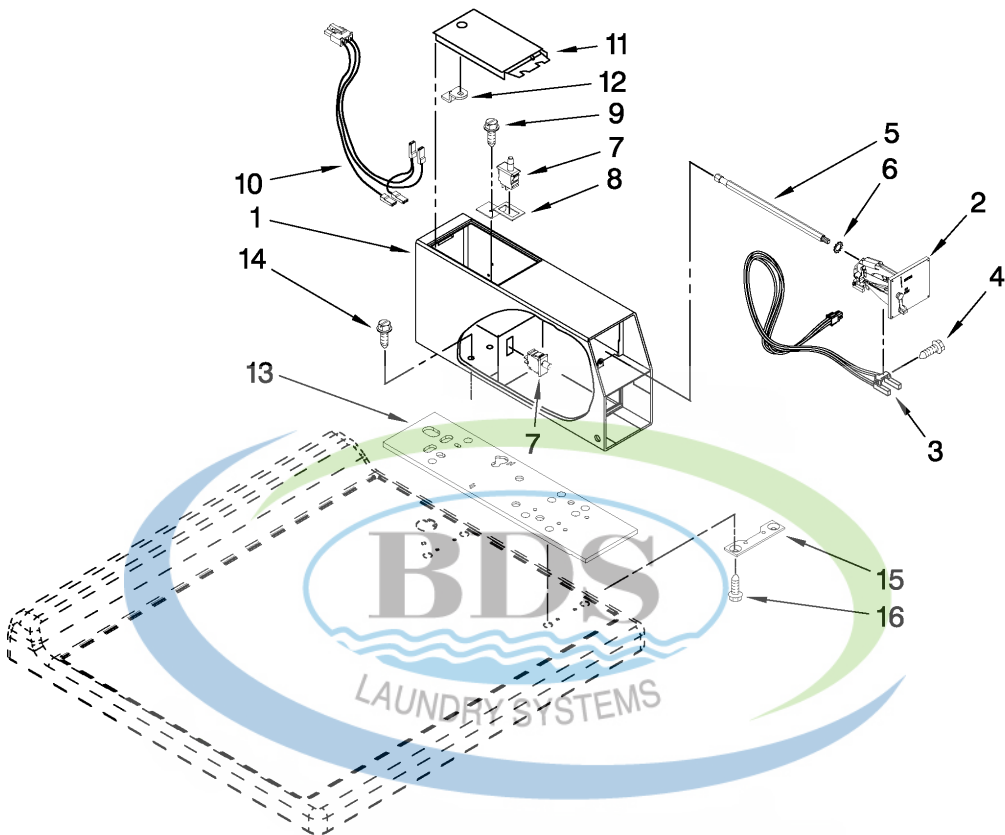
FOR ORDERING INFORMATION REFER TO PARTS PRICE LIST

Ref #	Part Number	Qty.	Description
1	W10187276		SEAL, CONSOLE
2	W10607834		Facia / Overlay
3	W10131114		Cover, Display
4	W10137457		Screw, 8-32 X 1/2
5	W10137458		Console, Outer
6	W10424308		Push Button (2)
7	W10135389		Push Button & Switch Assembly
8	W10137426		Console, Inner
9	W10153921		HARNES, WIRING (MAIN)(INCLUDES ITEMS 37, 38 & 39 ON...
10	W10189313		Insert
11	W10294428		Bracket, Console
12	W10166358		USER INTERFACE
13	489136		Screw, 3-24 X 3/8
14	W10137488		Clip, Console
15	W10139046		Nut 6-32
16	489442		Screw, 8-18 x 5/8
17	W10525360		MICROCOMPUTER, MACHINE CONTROL
18	2205813		Cable Tie
19	W10448626		Harness, Wiring (Console UIC)
20	W10131839		TRANSFORMER 120 TO 22.5 VAC.
21	NLA		Screw, 8-18 X 7/16
22	9781235		Nut, U-Type (2)
23	W10131119		Screw, 8-18 X 1/2



METER CASE PARTS

For Model: MAH22PDBWW0
(White)



FOR ORDERING INFORMATION REFER TO PARTS PRICE LIST

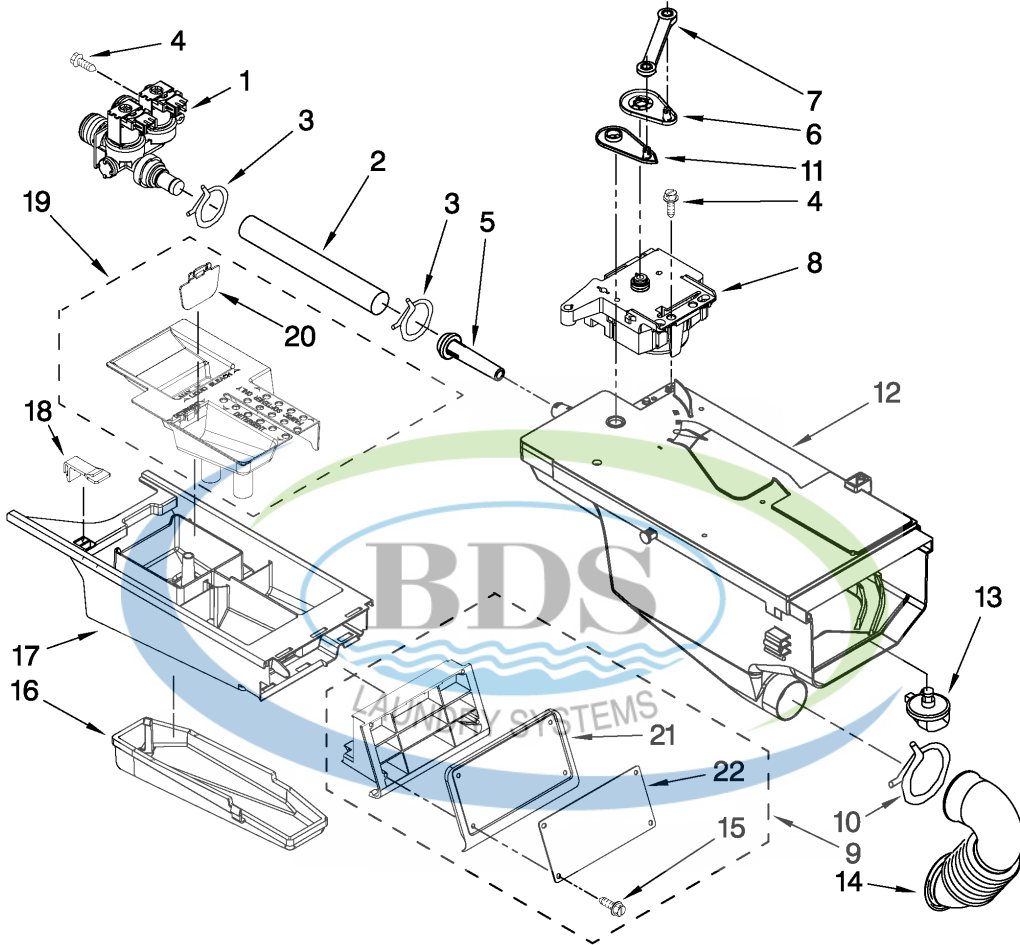
W10276411

Ref #	Part Number	Qty.	Description
1	W10171128		Meter Case
2	W10133242		Coin Drop Assembly
3	W10247389		Sensor Assembly, Coin Optic
4	3395530		Screw, 6-20 X 1.00
5	W10137319		Bolt, Hex Bar (2)
6	W10068270		Washer (2)
7	W10131838		SWITCH-VAULT SERVICE DOOR
8	W10133508		Bracket, Service Switch
9	W10139210		Screw, 8-18 X 5/16
10	W10139456		WIRE HARNESS, SENSOR SWITCH
11	3351136		Service Door Assembly
12	W10145154		CAM - LOCK
13	W10137448		Cushion, Meter Case
14	3349065		Screw, 5/16-24 x 1
15	3353813		Plate, Meter Case Mounting (2)
16	98445		Screw, 10-16 x 3/4



DISPENSER PARTS

For Model: MAH22PDBWW0
(White)



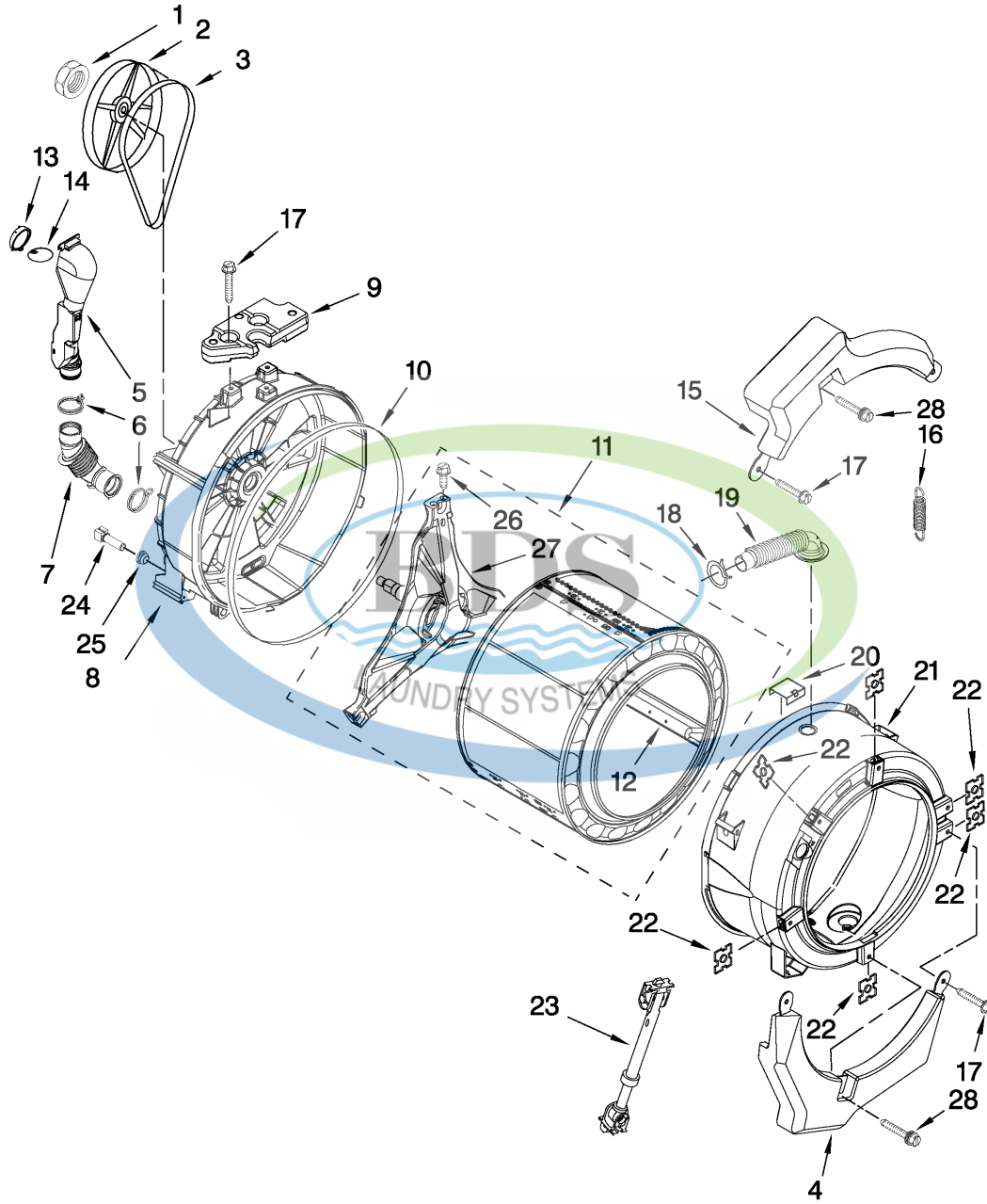
FOR ORDERING INFORMATION REFER TO PARTS PRICE LIST

Ref #	Part Number	Qty.	Description
1	8540751		Valve, Inlet
2	8540065		Hose, Valve To Dispenser
3	596669		Clamp, Hose
4	8540282		SCREW
5	8183181		Nozzle, Inlet
6	8540393		Cam, Actuator
7	8540394		Lever, Water Distribution
8	W10143586		ACTUATOR
9	W10595632		Handle Assembly, Drawer
10	8281276		Clamp, Hose
11	8540395		Connection, Lever
12	8540058		DISPENSER
13	8540053		Nozzle, Distribution
14	8540063		Hose, Dispenser To Tub
15	W10137456		Screw, 8-18 X 1/2
16	8540399		Cover, Detergent Drawer
17	W10198458		Drawer, Detergent
18	W10137402		Hook, Drawer
19	W10433390		SIPHON, BLEACH/SOFTENER
20	W10298953		DOOR, LIVING HINGE
21	W10137460		Cover, Handle
22	W10440593		FACIA/OVERLAY, DRAWER



TUB AND BASKET PARTS

For Model: MAH22PDBWW0
(White)



FOR ORDERING INFORMATION REFER TO PARTS PRICE LIST

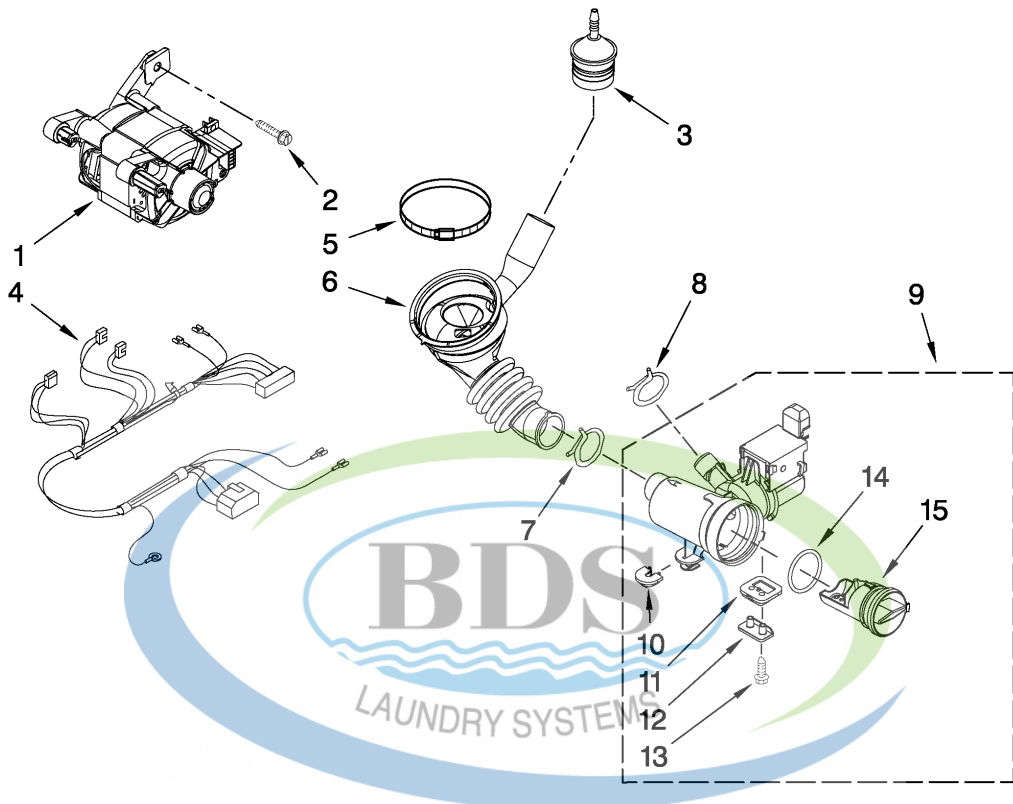
W10276411

Ref #	Part Number	Qty.	Description
1	W10283361		Nut, Pulley
2	8540088C		PULLEY
3	W10260319		BELT, DRIVE
4	W10200297		Counterweight, Front Lower
5	W10142720		Pipe, Ventilation
6	W10208156		Clamp, Vent Hose
7	8540019		Hose, Exhaust
8	W10364247		TUB, REAR (INCLUDES ITEMS 10 & 22)
9	8540602		Counterweight, Rear
10	W10111158		Gasket, Tub
11	W10165321		Basket, Complete
12	W10118982		Baffle, Tub
13	W10142721		CONNECTOR - VENTILATION
14	W10142722		FLAP, VENTILATION
15	W10200296		Counterweight, Front Upper
16	280159		Spring, Suspension
17	W10182109		Bolt, Counterweight Mtg.
18	3363365		Clamp, Hose
19	8540015		Hose, Exhaust
20	8540092		Clamp, Tub
21	W10277540		TUB, FRONT (INCLUDES ITEMS 10 & 22)
22	8182512		Nut, Push-In
23	W10163171		SHOCK ABSORBER (3)
24	W10467289		Negative Thermistor Control
25	8540766		Seal, Rubber
26	8540382		SCREW
27	NLA		CROSSPIECE ASSEMBLY
28	W10182109		Bolt Assembly, Counterweight Center Hole



PUMP AND MOTOR PARTS

For Model: MAH22PDBWW0
(White)



FOR ORDERING INFORMATION REFER TO PARTS PRICE LIST

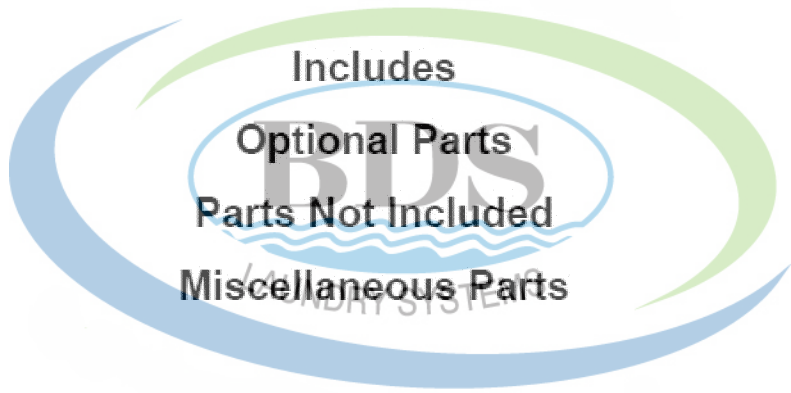
W10276411

10

Ref #	Part Number	Qty.	Description
1	W10140579		Motor, Drive
2	8540134		Bolt, Motor
3	W10405608		Air Trap
4	W10166995		Harness, Motor
5	8540008		CLAMP
6	8540012		Hose, Tub to Pump
7	616099		Clamp, Hose
8	356138		Clamp, Drain Hose
9	W10130913		Pump (Complete)
9	NLA		Pump Motor Only (Not Illustrated)
10	W10034820		Foot, Rubber (Slider)
11	W10034830		Foot, Rubber (Lock)
12	8540033		Cap, Lock Foot
13	8533964		Screw, 10-16 x 1.25 (2)
14	W10130913		Seal, Filter Cap
15	W10130913		Filter Assembly (Includes Item 14)



NON – ILLUSTRATED PARTS



Ref #	Part Number	Qty.	Description
NI	72017		PAINT, TOUCH-UP (1/2oz.) (White)
NI	350938		PAINT, PRESSURIZED SPRAY (12 OZ.) (PRIMER, GRAY)
NI	350930		PAINT, PRESSURIZED SPRAY (12OZ. WHITE)
NI	799344		PAINT, BULK (1 qt.) (White (Uncut))
NI	285863		Drain Extension
NI	W10135699		Affresh Odor Remover

