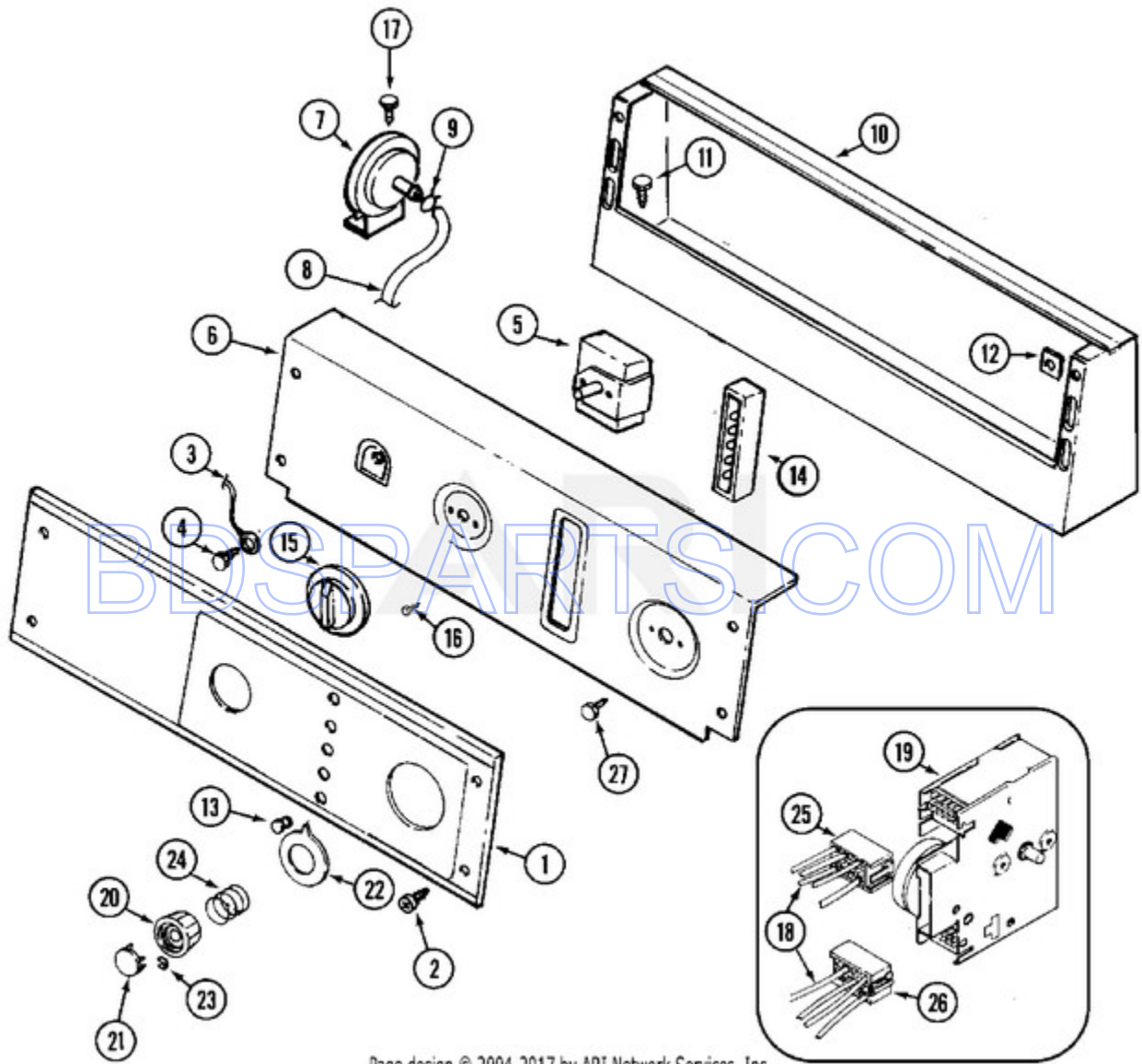
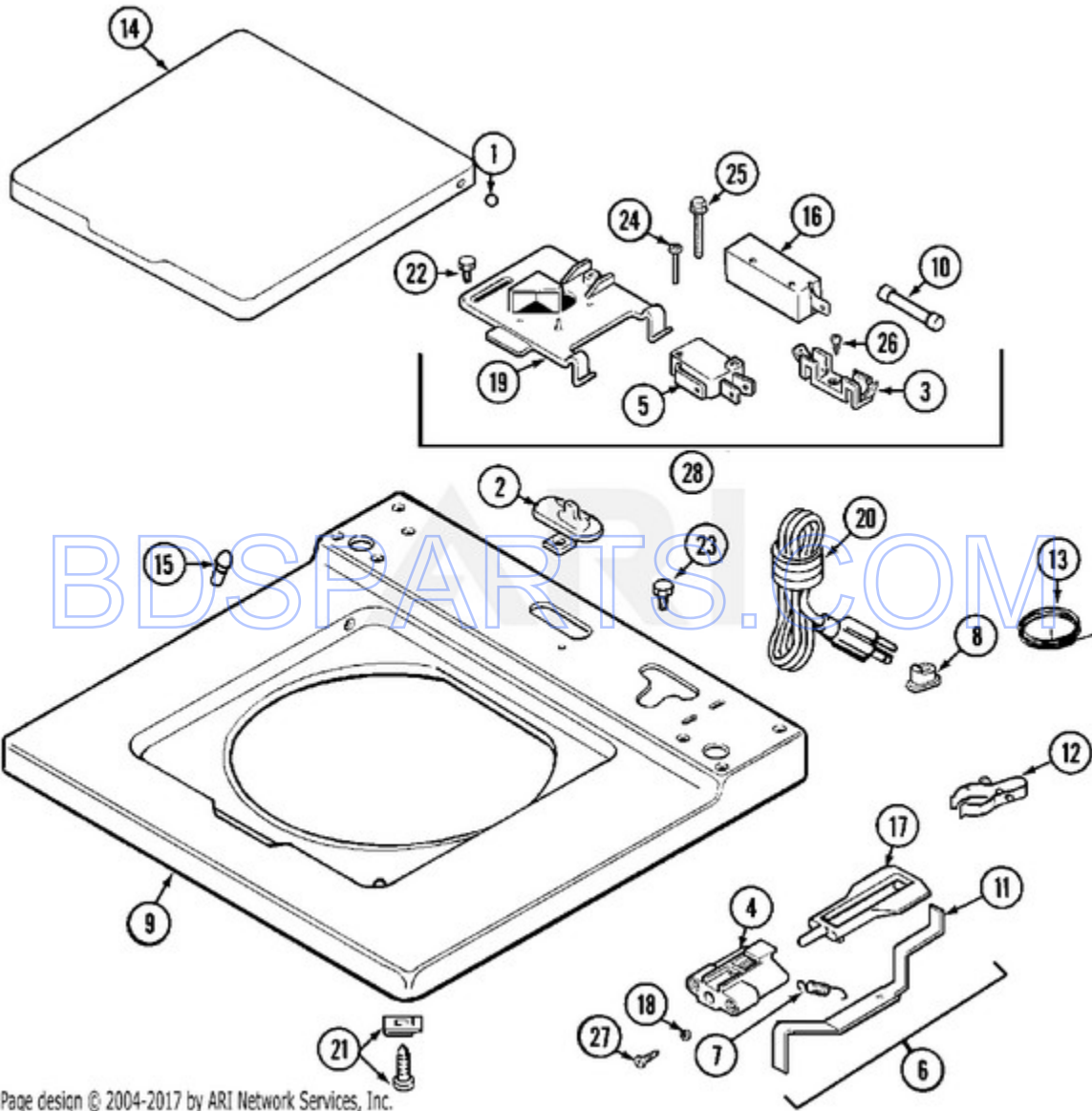


MAT11MNAAW - 01 - CONTROL PANEL



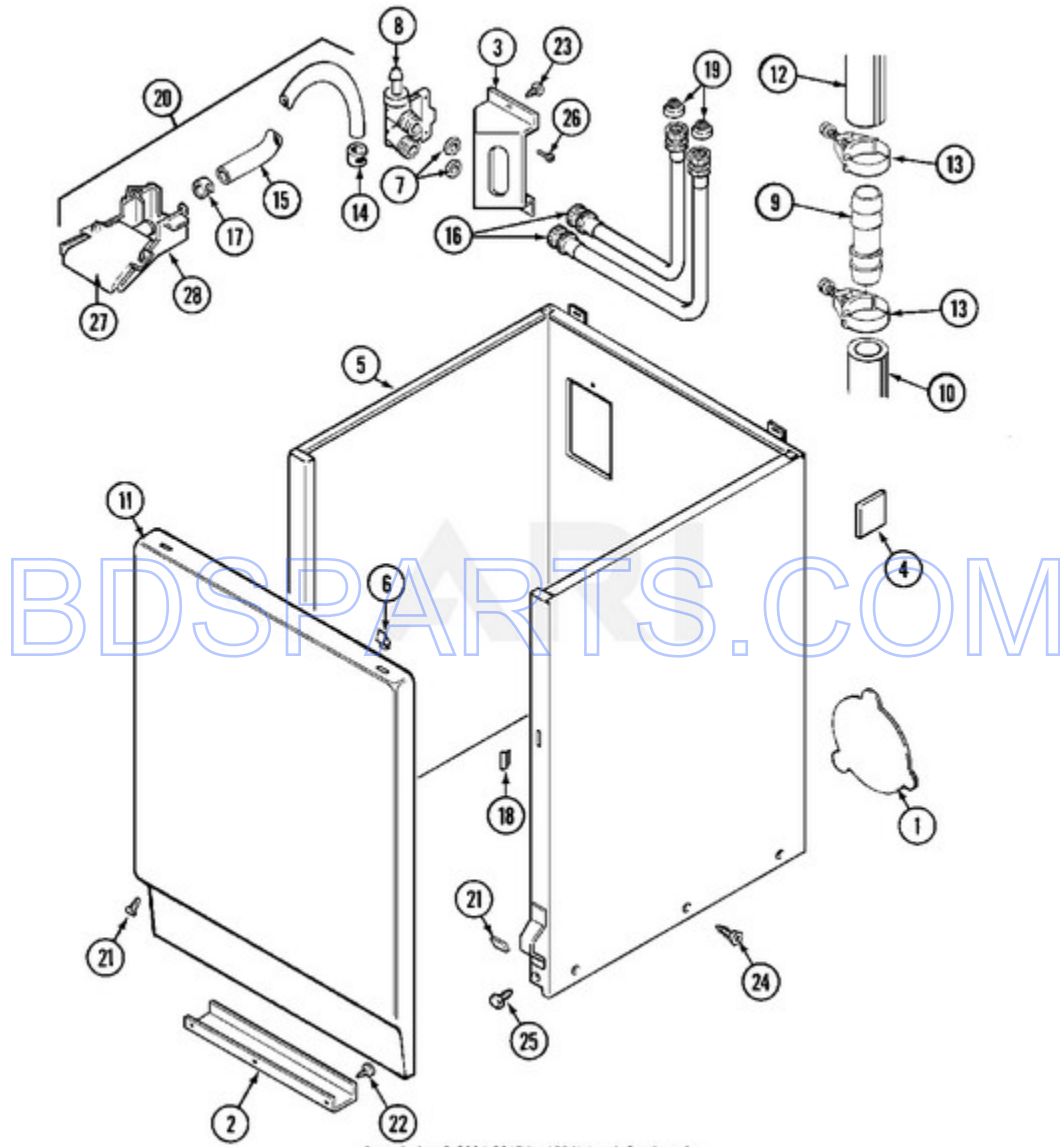
Ref #	Part #	Description	Qty	Context Note	MSRP
1	22001147	PANEL, CONTROL	1	Series A0	
1	NLA	PANEL, CONTROL	-	Series 12	
2	215506	SCREW, CONTROL PANEL	4	Series A0	
3	204807	WIRE, GROUND	1	Series A0	
4	210186	SCREW, GROUND WIRE	1	Series A0	
5	205353	SWITCH, TEMPERATURE	1	Series A0	
6	215571	PLATE, BACK-UP (WHT)	1	Series A0	
6	22001596	(WHT)	-	Series 12	
7	203263	SWITCH, WATER LEVEL	1	Series A0	
8	212942	TUBE, WATER LEVEL SWITCH	1	Series A0	
9	410296	CLAMP, WATER LEVEL TUBE	1	Series A0	
10	22001366	CONSOLE (WHT)	1	Series A0	
11	211294	SCREW, CONSOLE	2	Series A0	
11	Y313559	SCREW, CONSOLE	2	Series A0	
12	215003	CLIP, SCREW	2	Series A0	
13	215564	LENS, INDICATOR (AMBER)	5	Series A0	
14	206881	LIGHT, INDICATOR	1	Series A0	
14	206882	LIGHT, INDICATOR	-	Series A0	
15	206894	KNOB, SELECTOR (W/BUMPER)	1	Series A0	
15	215561	BUMPER, KNOB	1	Series A0	
16	Y313588	SCREW, TEMPERATURE SWITCH	2	Series A0	
17	211294	SCREW, WATER LEVEL SWITCH	2	Series A0	
18	22001089	WIRE HARNESS, MAIN	1	Series A0	
18	22001092	WIRE HARNESS, MAIN	-	Series A0	
18	22002221	WIRE HARNESS, MAIN	-	Series 15	
19	22001082	TIMER	1	Series A0	
19	22001084	TIMER	-	Series A0	
20	206892	KNOB, TIMER	1	Series A0	
21	314723	CAP, TIMER KNOB	1	Series A0	
22	206893	SKIRT, TIMER DIAL	1	Series A0	
22	22001571	(BLK)	1	Series 12	
23	211605	RETAINER, TIMER KNOB	1	Series A0	
24	211065	SPRING, TIMER KNOB	1	Series A0	
25	22001349	HOUSING, CONNECTOR (BLK)	1	Series A0	
26	22001350	HOUSING, CONNECTOR (WHT)	1	Series A0	
26	NLA	CONNECTOR, WIRE	31	Series A0	
27	216412	SCREW, TIMER	2	Series A0	

MAT11MNAAW - 02 - TOP



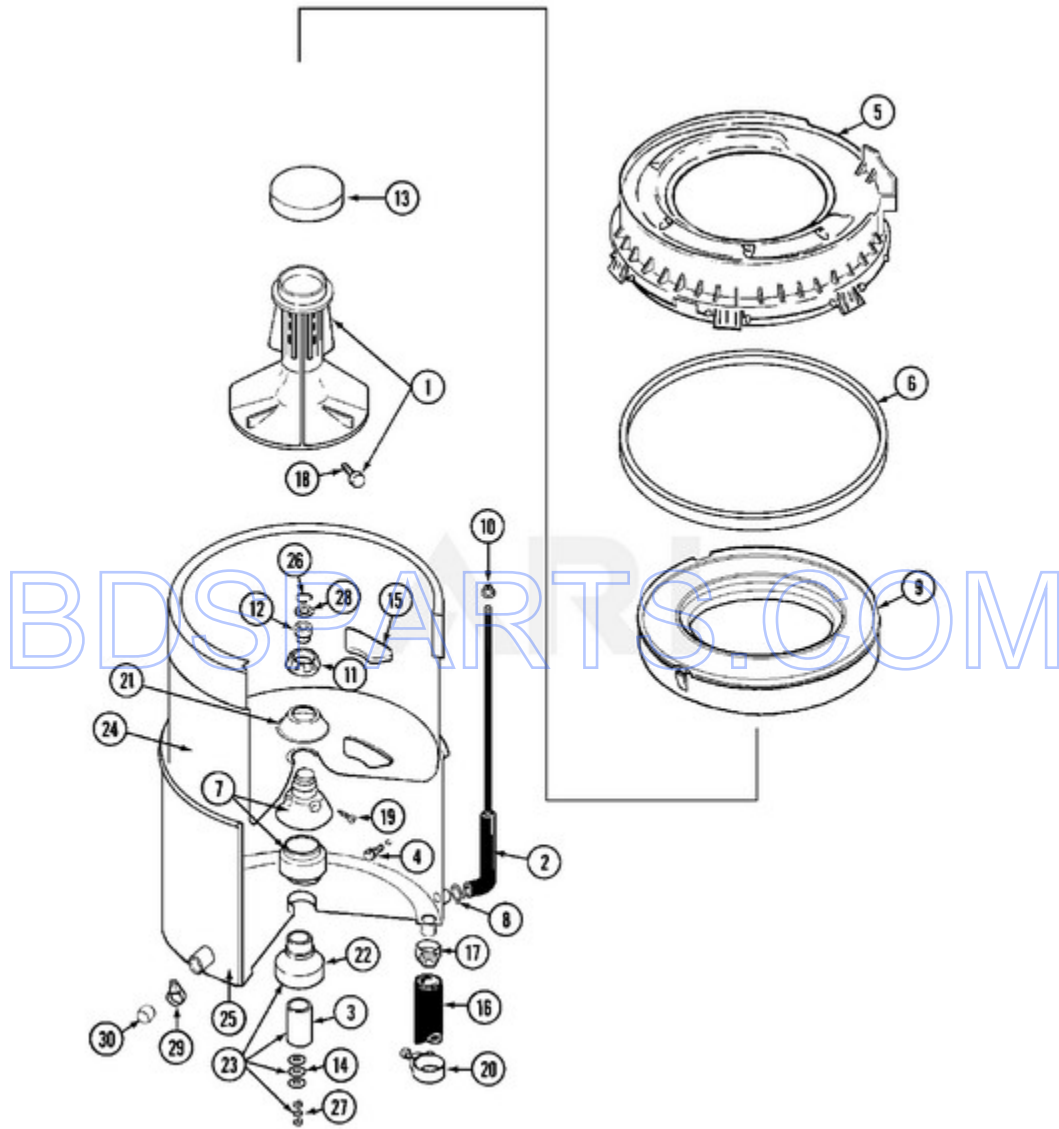
Ref #	Part #	Description	Qty	Context	Note	MSRP
1	211726	HINGE, BALL	2	Series A0		
2	207159	SCREW, CAP	1	Series A0		
2	22001298	CAP, TOP COVER	1	Series A0		
3	207167	BLOCK, FUSE	1	Series A0		
4	NLA	BRACKET, PLUNGER	1	Series A0		
5	207166	SWITCH, CHECK	1	Series A0		
6	22001311	UNBALANCE LEVER ASSEMBLY	1	Series A0		
7	213720	SPRING	1	Series A0		
8	211881	GROMMET, CORD	1	Series A0		
8	NLA	GROMMET, CORD	-	Series A0		
9	22001117	TOP COVER ASSEMBLY (WHT)	1	Series A0		
9	22001554	(WHT-ENG)	-	Series 12		
10	207168	FUSE	1	Series A0		
11	22001136	LEVER, UNBALANCE	1	Series A0		
12	301548	CLAMP, GROUND (W/SCREW)	1	Series A0		
13	204807	GROUND WIRE, SUPPORT PLATE	1	Series A0		
13	210186	SCREW, GROUND WIRE	1	Series A0		
14	22001357	LID (W/LEGEND-WHT)	1	Series A0		
14	22001597	(W/LEGEND-WHT)	-	Series 12		
15	212716	BUMPER, LID	2	Series A0		
16	205415	SWITCH, LID (W/O TUB LIGHT)	1	Series A0		
17	216255	PLUNGER, LID SWITCH	1	Series A0		
18	211500	WASHER, BRACKER	2	Series A0		
19	Y215699	BRACKET, SWITCH & FUSE	1	Series A0		
20	205056	CORD, POWER	1	Series A0		
20	208569	CORD, POWER	-	Series A0		
20	22001351	CORD, POWER	-	Series A0		
21	204445	SCREW & FASTENER ASSEMBLY	2	Series A0		
22	207159	SCREW, BRACKET	1	Series A0		
23	210186	SCREW, GROUND WIRE	2	Series A0		
24	22001352	SCREW, CHECK SWITCH	1	Series A0		
25	213501	SCREW, LID SWITCH	1	Series A0		
26	Y311711	SCREW, FUSE BLOCK	1	Series A0		
27	910182	SCREW, PLUNGER BRACKET	2	Series A0		
28	207176	LID SWITCH ASSEMBLY	1	Series A0		

MAT11MNAAW - 03 - CABINET



Ref #	Part #	Description	Qty	Context Note	MSRP
1	211294	SCREW, PLATE	2	Series A0	
1	212985	PLATE, ACCESS (W/HOLE)	1	Series A0	
1	NLA	PLATE, ACCESS	1	Series A0	
2	213846	GUARD, BELT	1	Series A0	
3	214812	BRACKET,WATER VALVE	1	Series A0	
4	215058	PAD, CABINET BUMPER	2	Series A0	
5	NLA	CABINET (WHT)	1	Series A0	
6	212982	FASTENER, PANEL	2	Series A0	
7	Y013783	WASHER, INLET HOSE	2	Series A0	
8	214337	SCREEN, VALVE	2	Series A0	
8	22001196	VALVE, WATER	-	Series A0	
8	22001275	VALVE, WATER	1	Series A0	
8	22001276	VALVE, WATER	-	Series A0	
9	211111	COUPLING, HOSE	1	Series A0	
10	214768	HOSE, DRAIN	1	Series A0	
11	216078	PANEL, FRONT (WHT)	1	Series A0	
12	215057	HOSE, INTERNAL DRAIN	1	Series A0	
13	200461	CLAMP, HOSE	2	Series A0	
14	216169	CLAMP, HOSE	1	Series A0	
15	22001190	HOSE, INJECTOR	1	Series A0	
16	205828	INLET HOSE ASSEMBLY	2	Series A0	
16	208100	INLET HOSE ASSEMBLY	-	Series A0	
17	216170	CLAMP, HOSE	1	Series A0	
18	214376	SPACER, FRONT PANEL	1	Series A0	
19	200961	SCREEN WASHER, INLET HOSE	1	Series A0	
20	22001304	WATER INJECTOR ASSEMBLY	1	Series A0	
21	204439	SCREW & FASTENER ASSEMBLY	2	Series A0	
22	211294	SCREW, BELT GUARD	3	Series A0	
23	212276	SCREW, VALVE BRACKET	1	Series A0	
24	213007	SCREW, CABINET	6	Series A0	
25	213121	SCREW, CABINET	3	Series A0	
25	213122	SCREW, CABINET	2	Series A0	
26	Y313561	SCREW, WATER VALVE	2	Series A0	
27	22001187	INJECTOR (UPR)	1	Series A0	
28	22001186	INJECTOR (LWR)	1	Series A0	

MAT11MNAAW - 04 - TUB





Ref #	Part #	Description	Qty	Context	Note	MSRP
1	207228	AGITATOR (W/LOCK SCREW)	1	Series A0		
2	212942	TUBE, WATER LEVEL SWITCH	1	Series A0		
3	211130	LINER, TUB BEARING	1	Series A0		
4	200744	BOLT & GASKET ASSEMBLY (SHORT)	1	Series A0		
4	205254	(LONG)	2	Series A0		
5	22001299	TUB COVER & GASKET ASSEMBLY	1	Series A0		
6	Y22001201	GASKET, TUB COVER	1	Series A0		
7	204012	MOUNTING STEM REPAIR KIT	1	Series A0		
8	211641	CLAMP, 1-1/16"	1	Series A0		
9	22001142	RING, BALANCE (W/CONCRETE)	1	Series A0		
10	410296	CLAMP, WATER LEVEL TUBE	1	Series A0		
11	211047	NUT, CLAMPING	1	Series A0		
12	Y0A4298	SEAL, AGITATOR DRIVE SHAFT	1	Series A0		
13	216251	CAP, AGITATOR (WHT)	1	Series A0		
14	211100	WASHER, CUSHION	3	Series A0		
15	215980	PLUG, TUB	2	Series A0		
16	213045	HOSE, OUTER TUB	1	Series A0		
17	201011	CLAMP, HOSE	1	Series A0		
18	206478	SCREW & WASHER ASSEMBLY	1	Series A0		
19	211618	SET SCREW, MOUNTING STEM	1	Series A0		
20	202574	CLAMP, TUB HOSE	1	Series A0		
21	211210	WASHER, CLAMPING NUT	1	Series A0		
22	200824	BEARING, TUB	1	Series A0		
23	204013	TUB BEARING REPAIR KIT	1	Series A0		
24	22001139	TUB, INNER	1	Series A0		
25	22001114	TUB, OUTER	1	Series A0		
26	Y015667	RETAINING RING	1	Series A0		
27	Y054867	WASHER, LOCK	3	Series A0		
28	Y015666	WASHER, RETAINING	1	Series A0		
29	214739	CLAMP, HOSE	1	Series A0		
30	214725	CAP, BLEACH SPOUT	1	Series A0		

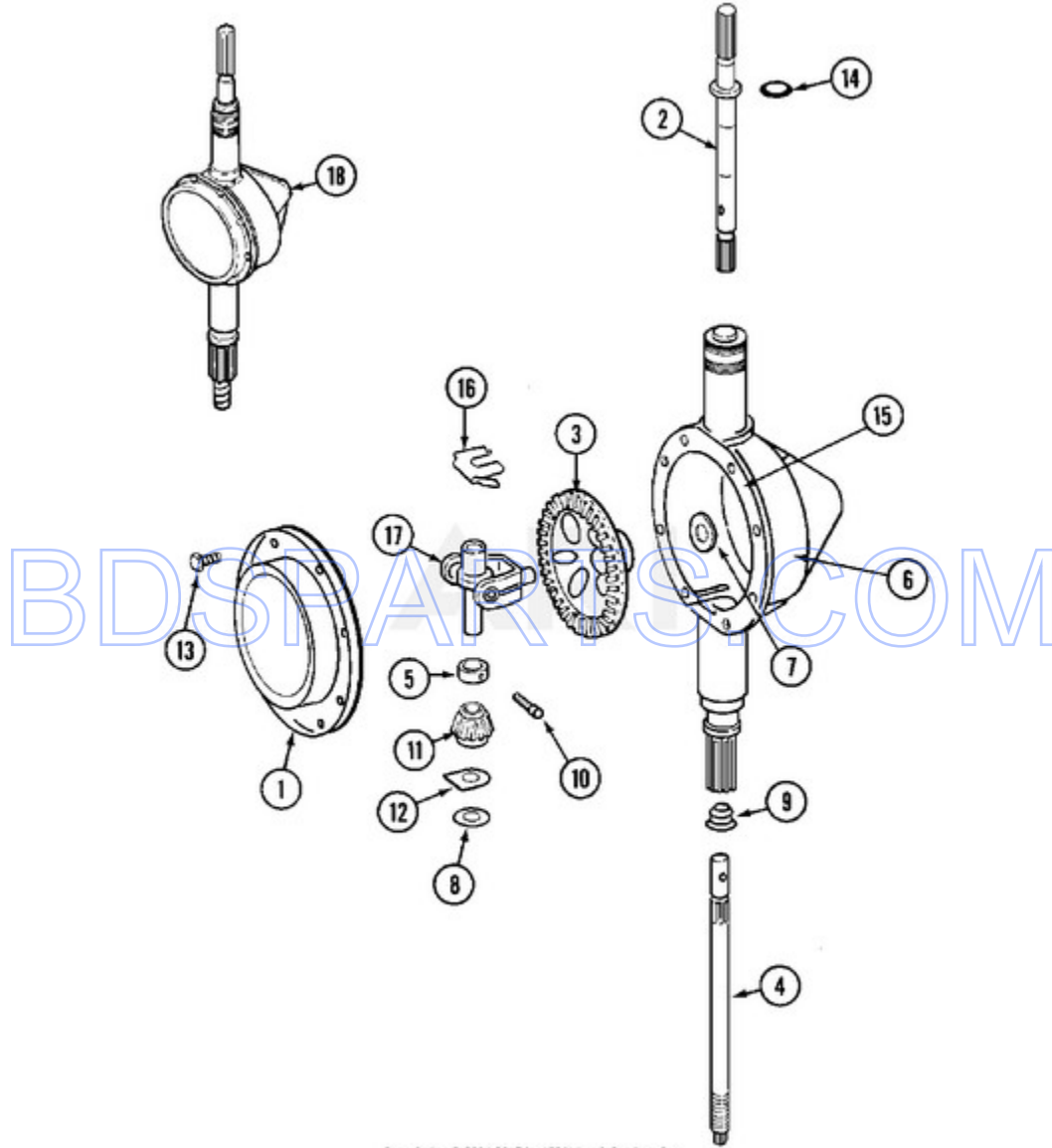




Ref #	Part #	Description	Qty	Context	Note	MSRP
1	Y302699	LEG, ADJUSTABLE (W/NUT)---S	4	Series A0		
2	22001172	BASE (W/DAMPER PADS)	1	Series A0		
3	Y015627	SCREW, HEX HD CAP 5/16 X 5/8	6	Series A0		
4	200744	BOLT & GASKET ASSEMBLY (SHORT)	1	Series A0		
4	205254	(LONG)	2	Series A0		
5	213053	BRACE, TUB	3	Series A0		
6	22001300	SPRING, CENTERING	3	Series A0		
7	203725	DAMPER W/BOLT & CLIP	1	Series A0		
8	203956	DAMPER PAD KIT (W/POLY LUBE)	1	Series A0		
9	213073	WASHER, DOUBLE	3	Series A0		
10	214768	HOSE, INTERNAL DRAIN	1	Series A0		
11	216416	BOLT, EYE/CENTERING SPRING	3	Series A0		
12	901220	WIRE, GROUND	1	Series A0		
13	213045	HOSE, OUTER TUB	1	Series A0		
14	200461	CLAMP, HOSE	1	Series A0		
15	202574	CLAMP, HOSE	1	Series A0		
16	Y311426	NUT, MOTOR BASE	3	Series A0		
17	22001301	PLATE, MOTOR MOUNT (LWR)	1	Series A0		
18	200816	PULLEY, MOTOR (W/SET SCREW)	1	Series A0		
18	Y202496	PULLEY, MOTOR (W/SET SCREW)	-	Series A0		
19	201805	MOTOR (ONE SPEED)	1	Series A0		
19	202157	MOTOR (ONE SPEED - EXPORT)	-	Series A0		
20	211028	DEFLECTOR, WATER	1	Series A0		
21	911852	WASHER, LOCK	6	Series A0		
22	205131	SWITCH, MOTOR EXTERNAL START (PROD. No. 207424-2)	1	Series A0		
22	205132	SWITCH, MOTOR EXTERNAL START (PROD. No. 201664-14, 205463-4)	1	Series A0		
22	206505	PROD. No. 201664-15 & 205463-3				
22	NLA	SWITCH, MOTOR EXTERNAL START	1	Series A0		
23	215098	SHIELD, MOTOR	1	Series A0		
24	Y052734	NUT, BRACE (TUB)	3	Series A0		
25	Y052785	NUT, BRACE (DAMPER)	6	Series A0		
26	210385	NUT, LOCK	4	Series A0		
27	211949	NUT, EYEBOLT	3	Series A0		
28	202203	PUMP AS PAK	1	Series A0		
29	Y204998	GLIDE KIT (4 W/POLY LUBE)	1	Series A0		
30	212979	WASHER, TUB BRACE	3	Series A0		
31	210684	FOOT, RUBBER	4	Series A0		
32	Y015408	SCREW, BEARING INSERT	1	Series A0		

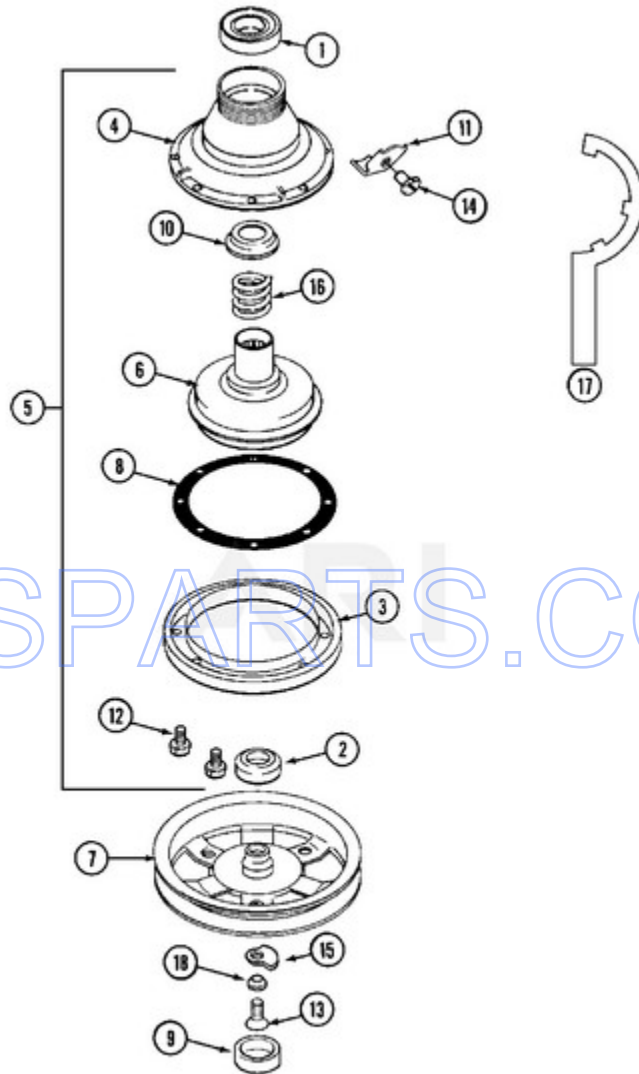
Ref #	Part #	Description	Qty	Context	Note	MSRP
33	210186	SCREW, GROUND WIRE	1		Series A0	
34	211880	SCREW, PUMP	3		Series A0	
35	213121	SCREW, MOTOR SHIELD	1		Series A0	
36	22001353	SET SCREW, MOTOR PULLEY	-		Series A0	
36	Y053241	SET SCREW, MOTOR PULLEY	1		Series A0	
37	205000	GLIDE & SPRING KIT	1		Series A0	
38	214956	PLATE, MOTOR MOUNT (UPPER)	1		Series A0	
39	Y054867	WASHER, LOCK	3		Series A0	
40	211100	WASHER, CUSHION	3		Series A0	
41	201101	CAPACITOR	-		Series A0	
42	211149	CLIP, CAPACITOR	-		Series A0	
43	211294	SCREW, CAPACITOR CLIP	-		Series A0	
44	211124	V BELT, PUMP	1		Series A0	
44	211451	V BELT, PUMP (EXPORT)	-		Series A0	
45	211125	V BELT, DRIVE PULLEY	1		Series A0	
45	211948	V BELT, DRIVE PULLEY (EXPORT)	-		Series A0	

MAT11MNAAW - 06 - TRANSMISSION



<b>Ref #</b>	<b>Part #</b>	<b>Description</b>	<b>Qty</b>	<b>Context Note</b>	<b>MSRP</b>
1	206628	COVER, TRANSMISSION	1	Series A0	
2	207153	SHAFT, AGITATOR (W/SPRING)	1	Series A0	
3	206713	GEAR, BEVEL	1	Series A0	
4	215410	SHAFT, CENTER	1	Series A0	
5	215415	COLLAR, LOWER	1	Series A0	
6	206624	HOUSING, TRANSMISSION	1	Series A0	
7	215394	WASHER, BEVEL GEAR	1	Series A0	
8	211483	WASHER, SPLINED	1	Series A0	
9	206602	SEAL, LIP (CENTER SHAFT)	1	Series A0	
10	Y206629	PIN, COLLAR	1	Series A0	
11	215401	PINION	1	Series A0	
12	215395	PLATE, CLUTCH	1	Series A0	
13	215417	SCREW, TRANSMISSION COVER	8	Series A0	
14	210690	SEAL, RUBBER	1	Series A0	
15	Y058700	SILASTIC, ADHESIVE SEALANT	1	Series A0	
16	215581	SPRING, AGITATOR SHAFT	1	Series A0	
17	206685	BLOCK, TORQUE AND YOKE ASSEMBL	1	Series A0	
18	206707	TRANSMISSION (COMPLETE)	1	Series A0	

MAT11MNAAW - 07 - CLUTCH, BRAKE & BELTS



Ref #	Part #	Description	Qty	Context	Note	MSRP
1	Y200720	BALL BEARING, RADIAL----S	1	Series	A0	
2	200835	BEARING, BRAKE ROTOR	1	Series	A0	
3	211043	DRUM, BRAKE	1	Series	A0	
4	211045	HOUSING, BRAKE	1	Series	A0	
5	201190	PACKAGE, BRAKE	1	Series	A0	
6	201126	ROTOR, BRAKE (W/FACING)	1	Series	A0	
7	211059	PULLEY, DRIVE	1	Series	A0	
8	211042	GASKET, BRAKE DRUM	1	Series	A0	
9	NLA	CAP, OIL RETAINER	1	Series	A0	
10	211039	RETAINER, BRAKE SPRING	1	Series	A0	
11	213325	CLIP, RETAINER	1	Series	A0	
12	211000	SCREW, DRUM BRAKE (HEX HD)	8	Series	A0	
13	211375	SCREW, DRIVE LUG	1	Series	A0	
14	213326	BOLT, RETAINING CLIP	1	Series	A0	
15	211089	LUG, STOP	1	Series	A0	
16	211041	SPRING, BRAKE	1	Series	A0	
17	Y038315	TOOL, BRAKE PACKAGE ASSEMBLY	1	Series	A0	
18	211090	WASHER, LOCK	1	Series	A0	