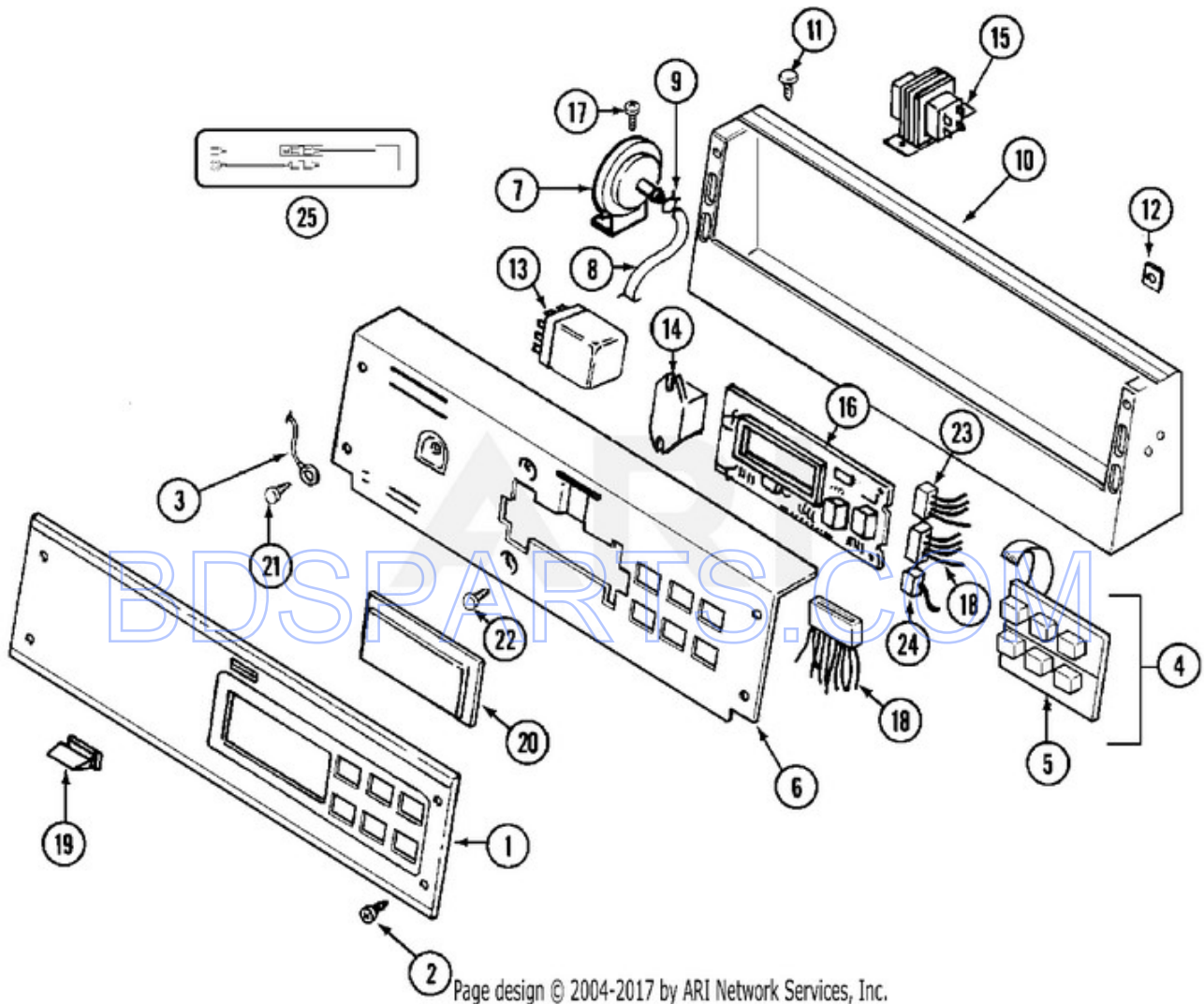
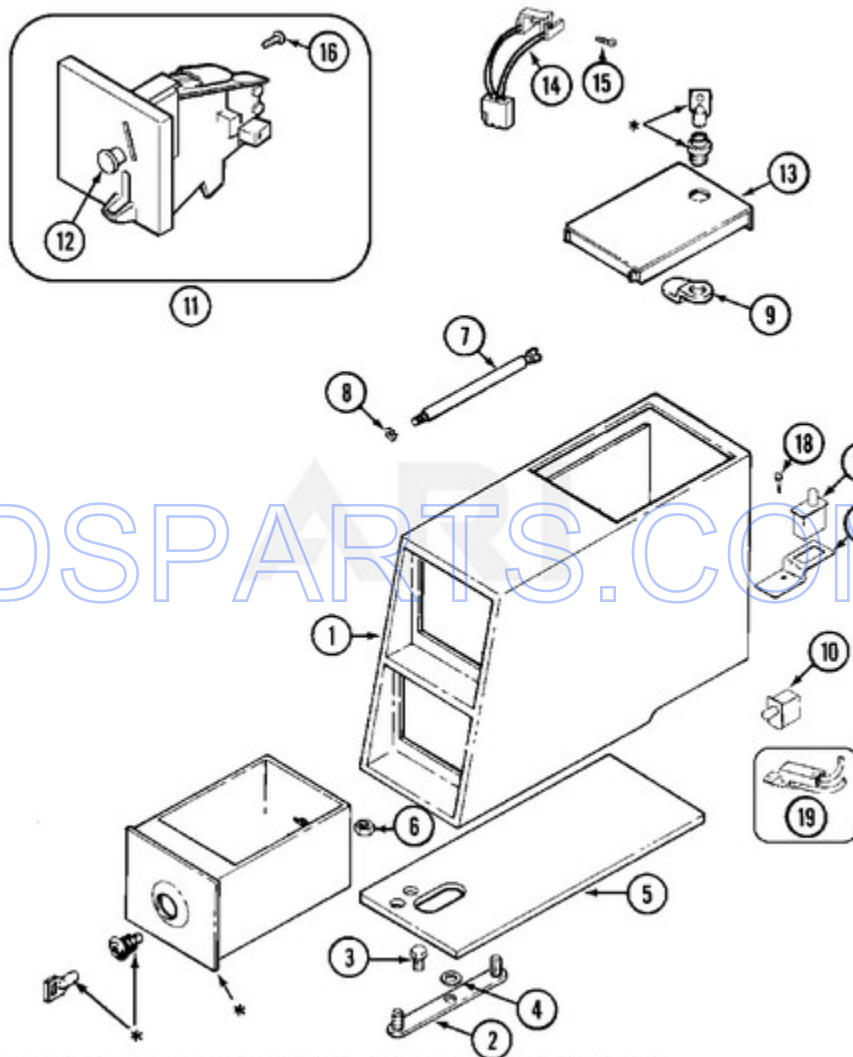


MAT12PDAAW - 01 - CONTROL PANEL



Ref #	Part #	Description	Qty	Context Note	MSRP
1	22001865	PANEL, CONTROL----S	1	Series 10	
3	NLA	WIRE, GROUND	1	Series 10	
4	215526	SCREW, SWITCH	2	Series 10	
6	22001513	BRACKET, BACK (WHT)	1	Series 10	
6	NLA	BRACKET, BACK (ALM)----NA	-	Series 10	
10	206780	CONSOLE (WHT)	1	Series 10	
10	206780L	(ALM)	-	Series 10	
12	215003	CLIP, SCREW	2	Series 10	
14	206824	RELAY, MOTOR (SPST)	1	Series 10	
14	22001866	SCREW, RELAY	1	Series 10	
15	207766	TRANSFORMER	1	Series 10	
16	22001511	DEFLECTOR, WATER (W/ADHESIVE)	1	Series 10	
16	NLA	CIRCUIT BOARD ASSEMBLY	1	Series 10	
16	NLA	KIT, BATTERY & SUPPORT	1	Series 10	
16	Y215513	STANDOFF, CIRCUIT BOARD	4	Series 10	
18	314531	CONNECTOR, EDGEBOARD	2	Series 10	
18	NLA	WIRE HARNESS, MAIN NLA	1	Series 10	
18	Y312953	TERMINAL, EDGEBOARD	26	Series 10	
19	214610	BUMPER, LID	1	Series 10	
20	33001208	COVER, DISPLAY	1	Series 10	
23	206799	OPTIC SWITCH ASSEMBLY	1	Series 10	
23	NLA	CONNECTOR, EDGEBOARD----NA	1	Series 10	
24	208045	HARNESS, SENSOR SWITCH	1	Series 10	
24	22001361	CONNECTOR, EDGEBOARD	1	Series 10	
25	NLA	SURGE SUPPRESSOR KIT	1	Series 10	
2	215506	SCREW, CONTROL PANEL	4	Series 10	
9	410296	CLAMP, WATER LEVEL TUBE	1	Series 10	
11	212276	SCREW, CONSOLE	2	Series 10	
17	211294	SCREW, WATER LEVEL SWITCH	2	Series 10	
22	215527	SCREW, CONTROL BOARD	2	Series 10	
16	912077	LOCKNUT, CONTROL BOARD	4	Series 10	
15	Y313559	SCREW	1	Series 10	
21	210186	SCREW, GROUND WIRE	1	Series 10	
5	215517	PUSHBUTTON, CONTROL SWITCH	2	Series 10	
8	22001617	TUBE, WATER LEVEL SWITCH	1	Series 10	
13	206421	RELAY, REVERSING (DPDT)	1	Series 10	
4	206808	CONTROL SWITCH ASSEMBLY	1	Series 10	
7	22001308	SWITCH, WATER LEVEL	1	Series 10	

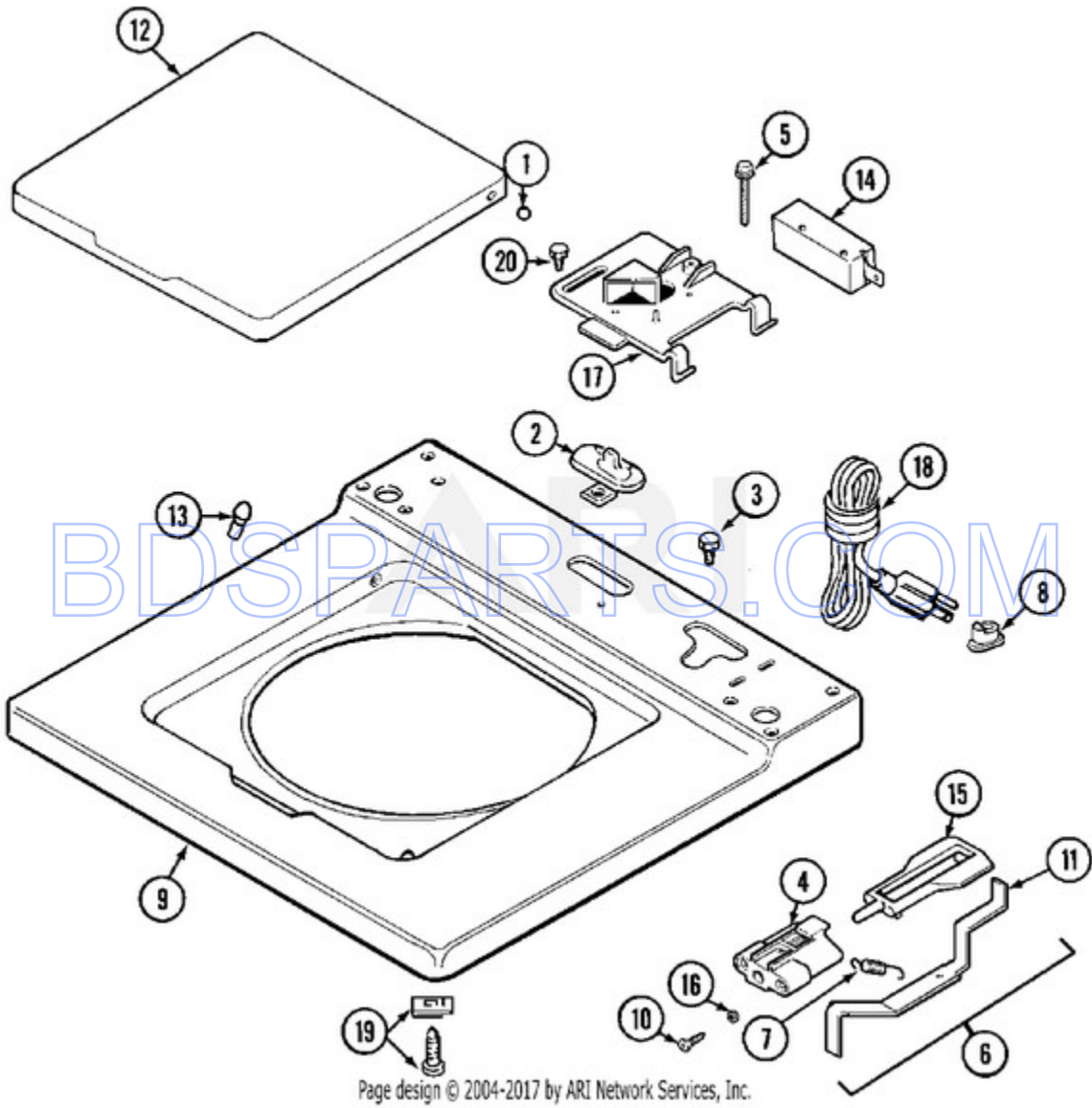
MAT12PDAAW - 02 - CONTROL CENTER



\* CONTACT YOUR COMMERCIAL LAUNDRY DISTRIBUTOR  
Page design © 2004-2017 by ARI Technik Service, LLC

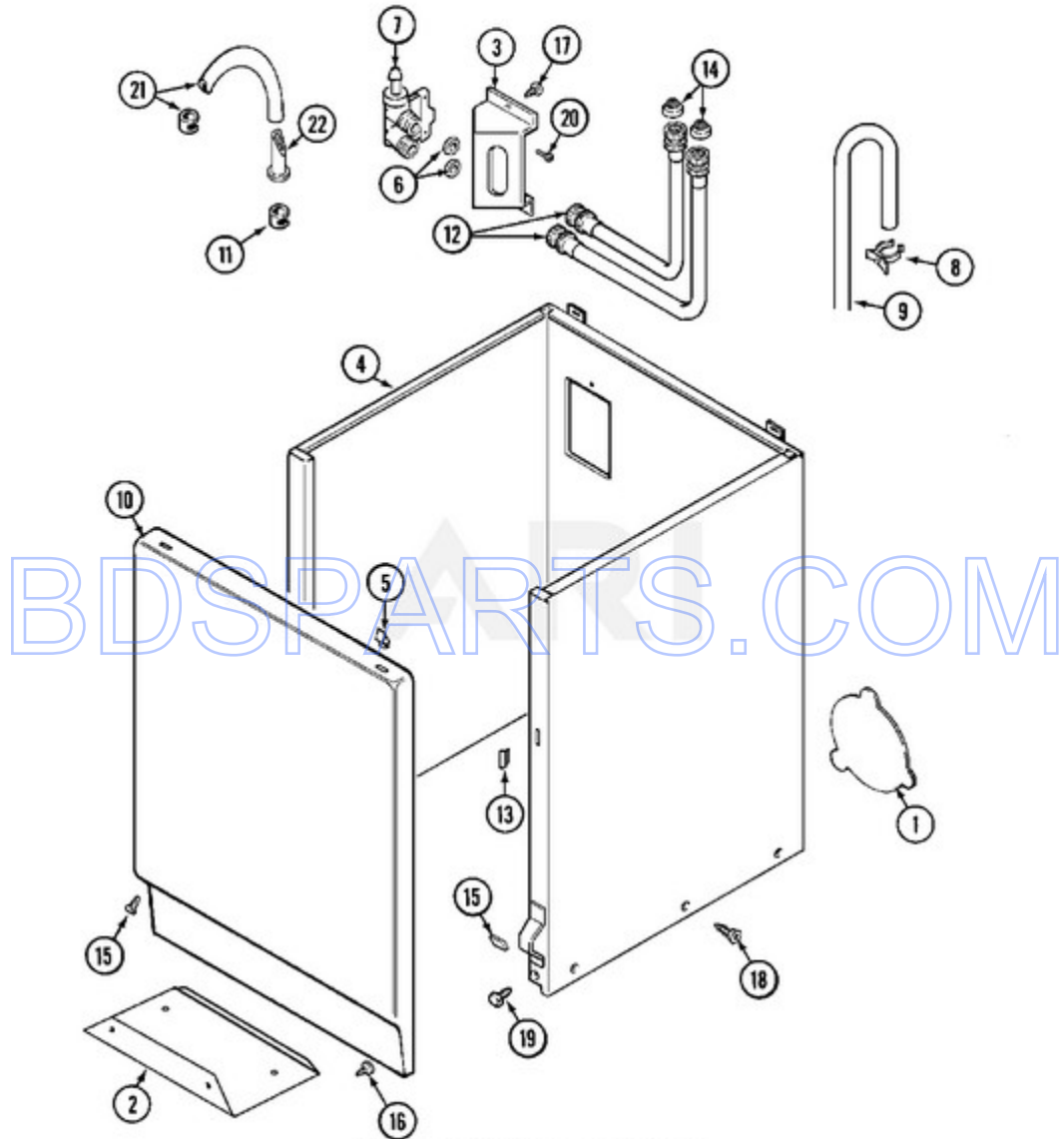
Ref #	Part #	Description	Qty	Context	Note	MSRP
1	22002480	VAULT, COIN (WHT)	1	Series 24		
1	22002481 (ALM)	(ORIGINAL COIN VAULT NLA USE	-	Series 24		
2	22001810	STRAP, MOUNTING	1	Series 10		
3	211294	SCREW, MOUNTING STRAP	1	Series 10		
4	910309	WASHER, STRAP SCREW	1	Series 10		
5	22001870	GASKET, COIN VAULT (WHT)	1	Series 10		
5	22001874	(ALM)	-	Series 10		
6	Y052740	NUT, CASE MOUNTING	2	Series 10		
7	213035	BOLT, LOCKING	2	Series 10		
8	910181	LOCKWASHER, LOCKING BOLT	2	Series 10		
9	NLA	CAM, LOCKING	1	Series 10		
10	33001250	SWITCH, SENSOR	2	Series 10		
10	912012	SCREW, SENSOR SWITCH	2	Series 10		
11	22001873	DROP ASSY., COIN	1	Series 10		
11	22001875	COIN DROP ASY (CAN)	-	Series 10		
11	22002144	SINGLE FACEPLATE	1	Series 10		
12	216200	BUTTON, RETURN	1	Series 10		
13	22001910	DOOR, ACCESS (WHT)	1	Series 10		
13	22001911	(ALM)	-	Series 10		
14	206799	OPTIC SWITCH ASSY. (6 WIRE)	1	Series 10		
15	314665	SCREW, OPTIC SWITCH	1	Series 10		
16	216068	SCREW, COIN DROP	3	Series 10		
17	22001404	BRACKET, SWITCH	1	Series 10		
18	212276	SCREW, SWITCH BRACKET	1	Series 10		
19	208045	HARNESS, SENSOR SWITCH	1	Series 10		

MAT12PDAAW - 03 - TOP



Ref #	Part #	Description	Qty	Context	Note	MSRP
1	211726	HINGE, BALL	2	Series	10	
2	207159	SCREW, CAP	1	Series	10	
2	22001298	CAP, TOP COVER	1	Series	10	
3	210186	SCREW, GROUND WIRE	1	Series	10	
4	NLA	BRACKET, UNBALANCE----NA	1	Series	10	
5	213501	SCREW, LID SWITCH	2	Series	10	
6	22001681	LEVER ASSY. (UNBALANCE)	1	Series	10	
7	213720	SPRING	1	Series	10	
8	211881	GROMMET, CORD	1	Series	10	
9	22001867	COVER, TOP (WHT)	1	Series	10	
9	NLA	(ALM)	-	Series	10	
10	910182	SCREW, PLUNGER BRACKET	2	Series	10	
11	22001672	LEVER, UNBALANCE	1	Series	10	
12	22001341	LID W/LEGEND (WHT)	1	Series	10	
12	22001342	(W/LEGEND-ALM)	-	Series	10	
13	212716	BUMPER, LID	2	Series	10	
14	205415	SWITCH, LID (W/O TUB LIGHT)	1	Series	10	
15	216255	PLUNGER, LID SWITCH	1	Series	10	
16	211500	WASHER, BRACKET	2	Series	10	
17	22001678	BRACKET, SWITCH & FUSE	1	Series	10	
18	22001642	CORD, POWER	1	Series	10	
19	204445	SCREW & FASTENER ASSEMBLY	2	Series	10	
20	207159	SCREW, BRACKET	1	Series	10	

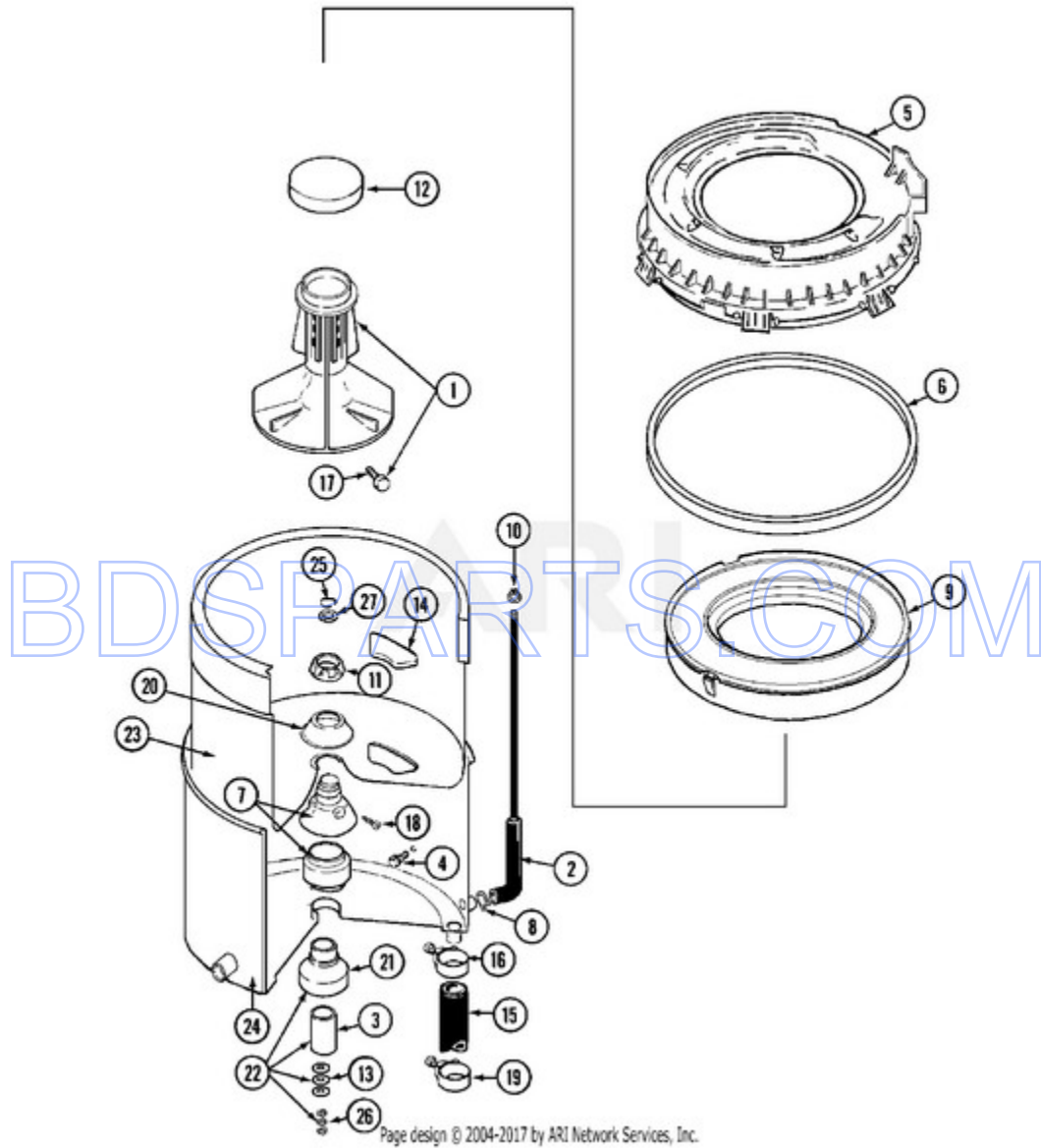
MAT12PDAAW - 04 - CABINET



Ref #	Part #	Description	Qty	Context Note	MSRP
1	211294	SCREW, PLATE	2	Series 10	
1	212985	PLATE, ACCESS (W/HOLE)	1	Series 10	
1	NLA	PLATE, ACCESS	1	Series 10	
2	213846	GUARD, BELT	1	Series 10	
3	214812	BRACKET, WATER VALVE	1	Series 10	
3	22003217	SCREW, BRACKET TO CABINET	1	Series 10	
4	NLA	CABINET (WHT)	1	Series 10	
5	22001650	FASTENER, SPRING	2	Series 10	
6	Y013783	WASHER, INLET HOSE	2	Series 10	
7	205161	CLAMP, WATER VALVE	1	Series 10	
7	214337	SCREEN, VALVE	2	Series 10	
7	22001604	VALVE, WATER 120V 60HZ	1	Series 10	
8	22001815	CLIP, HOSE	1	Series 10	
9	22001816	HOSE, DRAIN	1	Series 10	
9	22002700	HOSE, DRAIN	1	Series 16	
9	22002701	RETAINER, DRAIN HOSE	1	Series 16	
10	22001803	PANEL, FRONT (WHT)	1	Series 10	
10	22001804	(ALM)	-	Series 10	
11	205161	CLAMP, HOSE	1	Series 10	
12	205828	INLET HOSE ASSEMBLY	2	Series 10	
13	214376	SPACER, FRONT PANEL	2	Series 10	
14	200961	SCREEN WASHER, INLET HOSE	2	Series 10	
15	213325	CLIP, RETAINER	1	Series 10	
15	22001496	SCREW, FRONT PANEL	2	Series 10	
16	211294	SCREW, BELT GUARD	3	Series 10	
17	212276	SCREW, VALVE BRACKET	1	Series 10	
18	213007	SCREW, CABINET SIDES	6	Series 10	
19	213121	SCREW, CABINET	3	Series 10	
19	213122	SCREW, CABINET	2	Series 10	
20	Y313561	SCREW, WATER VALVE	2	Series 10	
21	22001608	INJECTOR HOSE & CLAMP KIT	1	Series 10	
22	22001900	PREVENTER, BACK FLOW	1	Series 10	

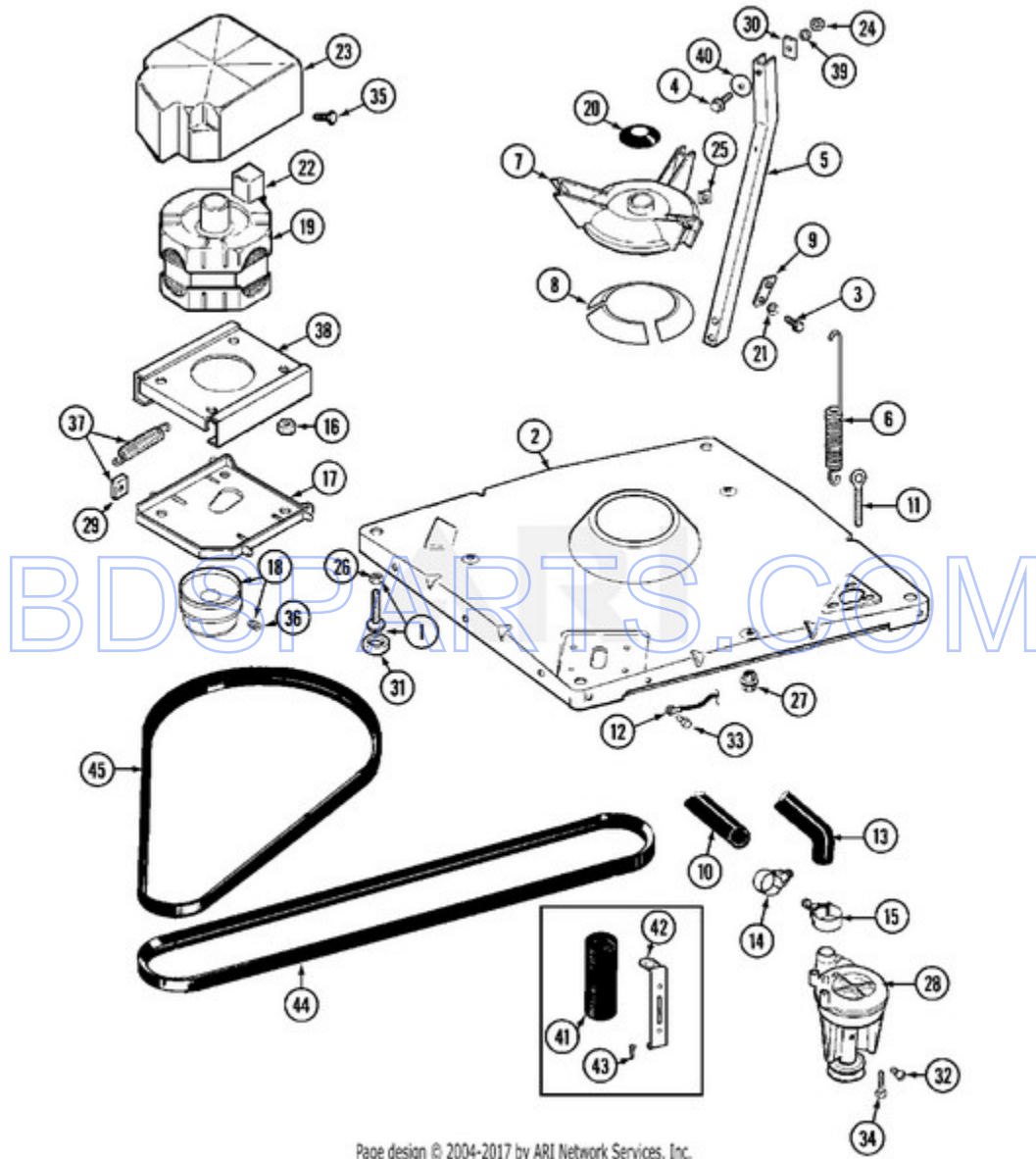


MAT12PDAAW - 05 - TUB



Ref #	Part #	Description	Qty	Context	Note	MSRP
1	208543	AGITATOR (W/LOCK SCREW)	1	Series	10	
2	212942	TUBE, WATER LEVEL SWITCH	1	Series	10	
3	211130	LINER, TUB BEARING	1	Series	10	
4	200744	BOLT & GASKET ASSEMBLY (SHORT)	1	Series	10	
4	205254	(LONG)	2	Series	10	
5	12001270	KIT, INJECTOR ACC. (COMM)	1	Series	10	
6	Y22001201	GASKET, TUB COVER	1	Series	10	
7	22001648	MOUNTING STEM AND SEAL KIT	1	Series	10	
8	211641	CLAMP, 1-1/16"	1	Series	10	
9	22001142	RING, BALANCE (W/CONCRETE)	1	Series	10	
10	410296	CLAMP, WATER LEVEL SWITCH TUBE	1	Series	10	
11	211047	NUT, CLAMPING (INNER TUB)	1	Series	10	
12	215532	CAP, AGITATOR	1	Series	10	
13	211100	WASHER, CUSHION	3	Series	10	
14	215980	PLUG, TUB	2	Series	10	
15	Y212989	HOSE, OUTER TUB	1	Series	10	
16	22001640	CLAMP, HOSE	1	Series	10	
17	206478	SCREW & WASHER ASSEMBLY	1	Series	10	
18	22001423	SET SCREW, MOUNTING STEM	1	Series	10	
19	22001640	CLAMP, TUB HOSE	1	Series	10	
20	211210	WASHER, CLAMPING NUT	1	Series	10	
21	200824	BEARING, TUB	1	Series	10	
22	204013	TUB BEARING REPAIR KIT	1	Series	10	
23	22001141	TUB, INNER	1	Series	10	
24	22001115	TUB, OUTER (LARGE)	1	Series	10	
25	Y015667	RETAINING RING	1	Series	10	
26	Y054867	WASHER, LOCK	3	Series	10	
27	Y015666	WASHER, RETAINING	1	Series	10	

MAT12PDAAW - 06 - BASE

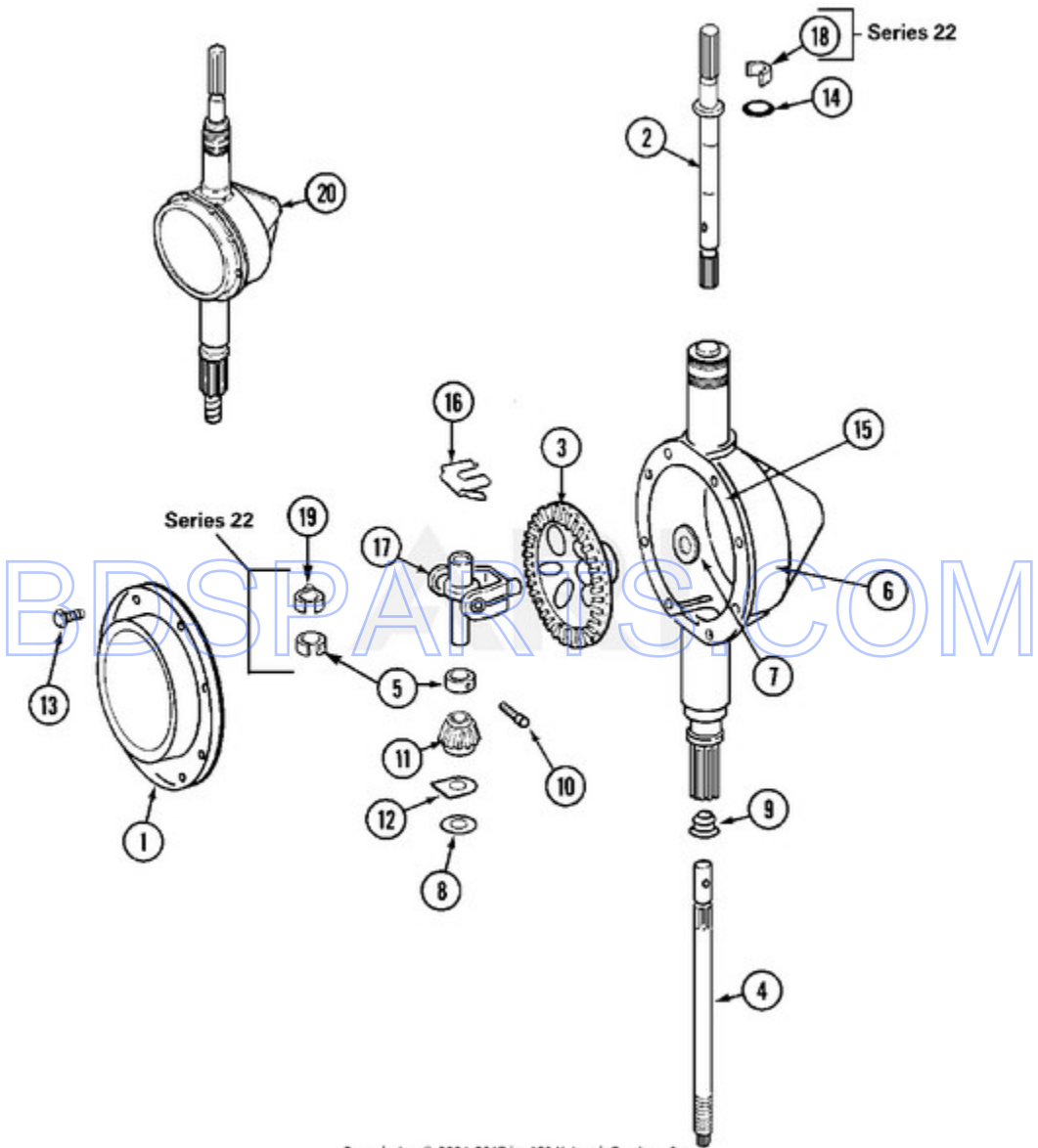


Ref #	Part #	Description	Qty	Context	Note	MSRP
1	Y302699	LEG, ADJUSTABLE (W/NUT)---S	4	Series	10	
2	22001172	BASE (W/DAMPER PADS)	1	Series	10	
3	Y015627	SCREW, HEX HD CAP 5/16 X 5/8	6	Series	10	
4	200744	BOLT & GASKET ASSEMBLY (SHORT)	1	Series	10	
4	205254	(LONG)	2	Series	10	
5	213100	BRACE, TUB	3	Series	10	
6	22001300	SPRING, CENTERING	3	Series	10	
7	203725	DAMPER W/BOLT & CLIP	1	Series	10	
8	203956	DAMPER PAD KIT (W/POLY LUBE)	1	Series	10	
9	213073	WASHER, DOUBLE	3	Series	10	
10	22001816	HOSE, DRAIN	1	Series	10	
11	216416	BOLT, EYE/CENTERING SPRING	3	Series	10	
12	901220	WIRE, GROUND	1	Series	10	
13	Y212989	HOSE, OUTER TUB	1	Series	10	
14	Y22001820	CLAMP, HOSE	1	Series	10	
15	22001640	CLAMP, HOSE	1	Series	10	
16	Y311426	NUT, MOTOR BASE	3	Series	10	
17	22001301	MOUNT, MOTOR LOWER-ASSEMBLY	1	Series	10	
18	200816	PULLEY, MOTOR (W/SET SCREW)	1	Series	10	
19	201805	MOTOR (ONE SPEED)	1	Series	10	
20	22001511	DEFLECTOR, WATER (W/ADHESIVE)	1	Series	10	
21	911852	WASHER, LOCK (BRACE)	1	Series	10	
22	205131	SWITCH, MOTOR EXTERNAL START (PROD. No. 207424-2)	1	Series	10	
22	205132	SWITCH, MOTOR EXTERNAL START (201664-14,205463-4&201800-4)	1	Series	10	
22	206505	PROD. No. 201664-15 & 205463-3				
22	NLA	SWITCH, MOTOR EXTERNAL START	1	Series	10	
23	215098	SHIELD, MOTOR	1	Series	10	
24	Y052734	NUT, BRACE (TUB)	3	Series	10	
25	Y052785	NUT, BRACE (DAMPER)	6	Series	10	
26	210385	NUT, LOCK	4	Series	10	
27	211949	NUT, EYEBOLT	3	Series	10	
28	202203	PUMP AS PAK	1	Series	10	
29	Y204998	GLIDE KIT (4 W/POLY LUBE)	1	Series	10	
30	212979	WASHER, TUB BRACE	3	Series	10	
31	210684	FOOT, RUBBER	4	Series	10	
32	Y015408	SCREW, BEARING INSERT	1	Series	10	
33	210186	SCREW, GROUND WIRE	1	Series	10	
34	211880	SCREW, PUMP	3	Series	10	

<b>Ref #</b>	<b>Part #</b>	<b>Description</b>	<b>Qty</b>	<b>Context</b>	<b>Note</b>	<b>MSRP</b>
35	213121	SCREW, MOTOR SHIELD	1	Series	10	
36	Y053241	SET SCREW, MOTOR PULLEY	1	Series	10	
37	205000	GLIDE & SPRING KIT	1	Series	10	
38	214956	PLATE, MOTOR MOUNT (UPR)	1	Series	10	
39	Y054867	WASHER, LOCK (BRACE)	3	Series	10	
40	211100	WASHER, CUSHION (BRACE)	3	Series	10	
44	211124	V BELT, PUMP	1	Series	10	
45	211125	V BELT, DRIVE PULLEY	1	Series	10	

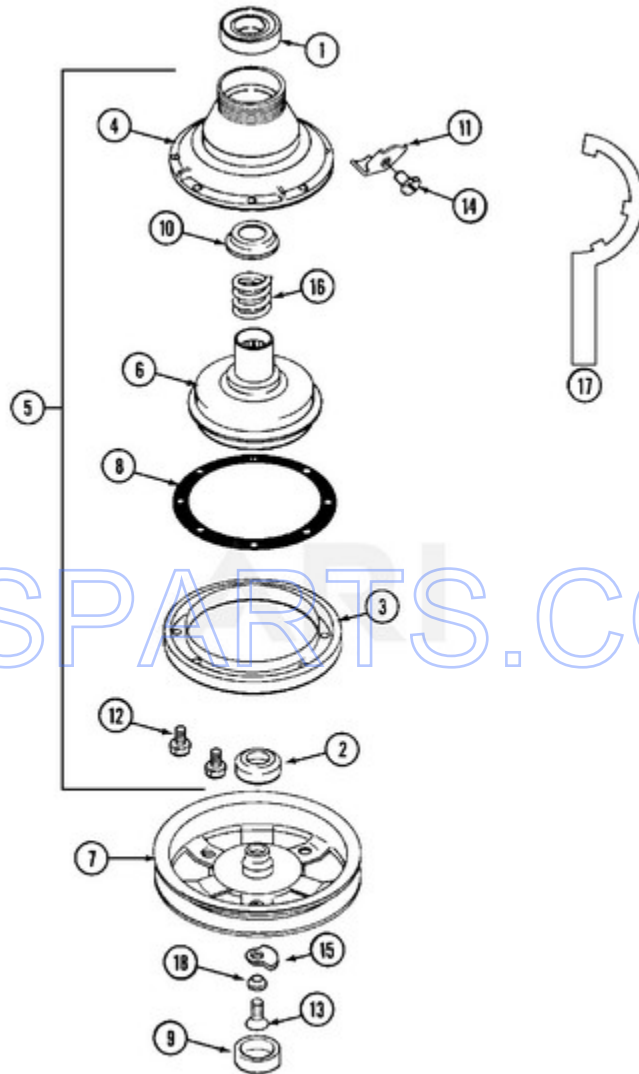
BDSPARTS.COM

MAT12PDAAW - 07 - TRANSMISSION



Ref #	Part #	Description	Qty	Context	Note	MSRP
1	206628	COVER, TRANSMISSION	1	Series	10	
3	206713	GEAR, BEVEL	1	Series	10	
4	NLA	SHAFT, CENTER	1	Series	10	
5	215415	COLLAR (LWR)	1	Series	10	
6	22002537	HOUSING, TRANSMISSION (SHW)	1	Series	22	
7	215394	WASHER, BEVEL GEAR	1	Series	10	
10	W10124350	NOT REQUIRED PART OR SEE NOTE	-	Series	22	
13	215417	SCREW, TRANSMISSION COVER	8	Series	10	
16	W10124350	NOT REQUIRED PART OR SEE NOTE	-	Series	22	
19	22002341	COLLAR, LOWER PLASTIC KEEPER	1	Series	22	
5	22002353	COLLAR, CENTER SHAFT	1	Series	22	
8	211483	WASHER, SPLINED	1	Series	10	
10	Y206629	PIN, COLLAR	1	Series	10	
12	215395	PLATE, CLUTCH	1	Series	10	
14	210690	SEAL, RUBBER	1	Series	10	
14	22002417	O-RING AGITATOR SHAFT	1	Series	22	
16	215581	SPRING, AGITATOR SHAFT	1	Series	10	
18	22002340	COLLAR, AGITATOR SHAFT	1	Series	22	
9	206602	SEAL, LIP (CENTER SHAFT)	1	Series	10	
15	Y058700	SILASTIC, ADHESIVE SEALANT	1	Series	10	
11	215401	PINION	1	Series	10	
6	Y056080	TRANS LUBE (AUTO, 34 OZ.)	1	Series	10	
4	22002343	SHAFT, CENTER (SHALLOW TUB)	1	Series	22	
17	206685	BLOCK, TORQUE AND YOKE ASSEMBL	1	Series	10	
2	22002415	SHAFT, AGITATOR	1	Series	22	
2	207153	SHAFT, AGITATOR (W/SPRING)	1	Series	10	
6	206625	HOUSING, TRANSMISSION	1	Series	10	
20	206708	TRANSMISSION (COMPLETE)	1	Series	10	
20	22002127	TRANS W/STEM/SEAL(SHALLOW TUB)	1	Series	22	

MAT12PDAAW - 08 - CLUTCH & BRAKE





Ref #	Part #	Description	Qty	Context Note
1	Y200720	BALL BEARING, RADIAL----S	1	Series 10
2	200835	BEARING, BRAKE ROTOR	1	Series 10
3	211043	DRUM, BRAKE	1	Series 10
4	211045	HOUSING, BRAKE	1	Series 10
5	201190	PACKAGE, BRAKE	1	Series 10
6	201126	ROTOR, BRAKE (W/FACING)	1	Series 10
7	211059	PULLEY, DRIVE	1	Series 10
7	22002431	PULLEY ASSEMBLY	1	Series 23
7	22002432	PULLEY ASSEMBLY (EXPORT)	-	Series 23
8	211042	GASKET, BRAKE DRUM	1	Series 10
9	22002428	COVER, DUST (PLASTIC)	1	Series 23
9	NLA	CAP, OIL RETAINER	1	Series 10
10	211039	RETAINER, BRAKE SPRING	1	Series 10
11	213325	CLIP, RETAINER	1	Series 10
12	211000	SCREW, BRAKE DRUM (HEX HD)	8	Series 10
13	211375	SCREW, DRIVE LUG	1	Series 10
14	213326	BOLT, RETAINING CLIP	1	Series 10
15	211089	LUG, STOP	1	Series 10
16	211041	SPRING, BRAKE	1	Series 10
17	Y038315	TOOL, BRAKE PACKAGE ASSEMBLY	1	Series 10
18	211090	WASHER, LOCK (DRIVE LUG)	1	Series 10

