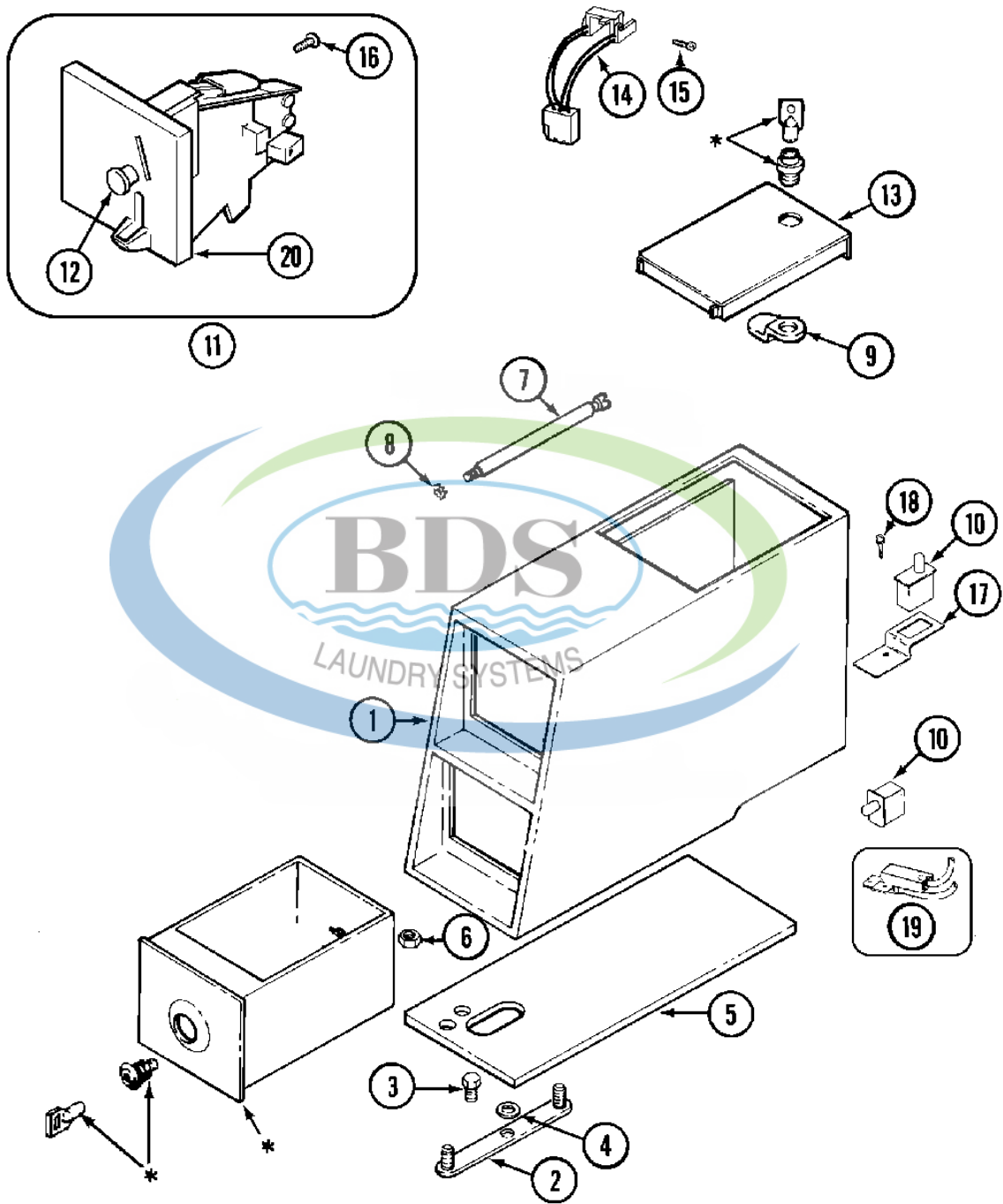


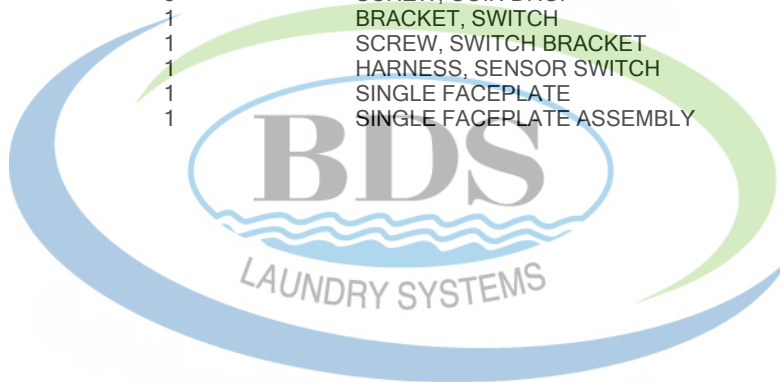
Ref #	Part Number	Qty.	Description
1	22001958	1	PANEL, CONTROL
2	215506	4	SCREW, CONTROL PANEL
3	22001959	1	WIRE, GROUND
4	206808	1	CONTROL SWITCH ASSEMBLY
4	215526	2	SCREW, SWITCH
5	215517	2	PUSHBUTTON, CONTROL SWITCH
6	206780	1	CONTROL COVER ASSY
6	22001964	-	(ALM)
7	22001308	1	SWITCH, WATER LEVEL
8	22001619	1	TUBE, WATER LEVEL SWITCH
9	410296	1	CLAMP, WATER LEVEL TUBE
10	206780	1	CONTROL COVER ASSY
10	206780L	-	CONSOLE (ALM) SU
10	22003091	1	CONSOLE (WHT)
10	22003092	-	CONSOLE (BSQ)
11	212276	2	SCREW, CONSOLE
12	215003	2	CLIP, SCREW
13	206421	1	RELAY, REVERSING (DPDT)
13	206824	1	RELAY (SPST 24VDC)
14	211294	1	SCREW
14	22001960	1	TRANSFORMER
14	Y313559	1	SCREW
15	22001511	2	DEFLECTOR, WATER (W/ADHESIVE)
15	22001955	1	BOARD ASSY., CIRCUIT
15	33001204	4	STANDOFF, CIRCUIT BOARD
15	912077	4	LOCKNUT, CONTROL BOARD
15	NLA	1	KIT, BATTERY & SUPPORT
16	211294	2	SCREW, WATER LEVEL SWITCH
17	22001963	1	WIRE HARNESS, MAIN
17	22002699	2	CAPACITOR, MICROFARAD
17	22002986	1	WIRE HARNESS, MAIN
17	314531	2	CONNECTOR, EDGEBOARD
17	Y312953	26	TERMINAL, EDGEBOARD
18	214610	1	BUMPER, LID
19	22001962	1	COVER, DISPLAY
20	210186	1	SCREW, GROUND WIRE
21	215527	2	SCREW, CONTROL BOARD
22	22001965	1	SWITCH ASSY., OPTIC
22	NLA	1	CONNECTOR, EDGEBOARD----NA
23	22001361	1	CONNECTOR, EDGEBOARD
23	22001966	1	HARNESS, SENSOR SWITCH

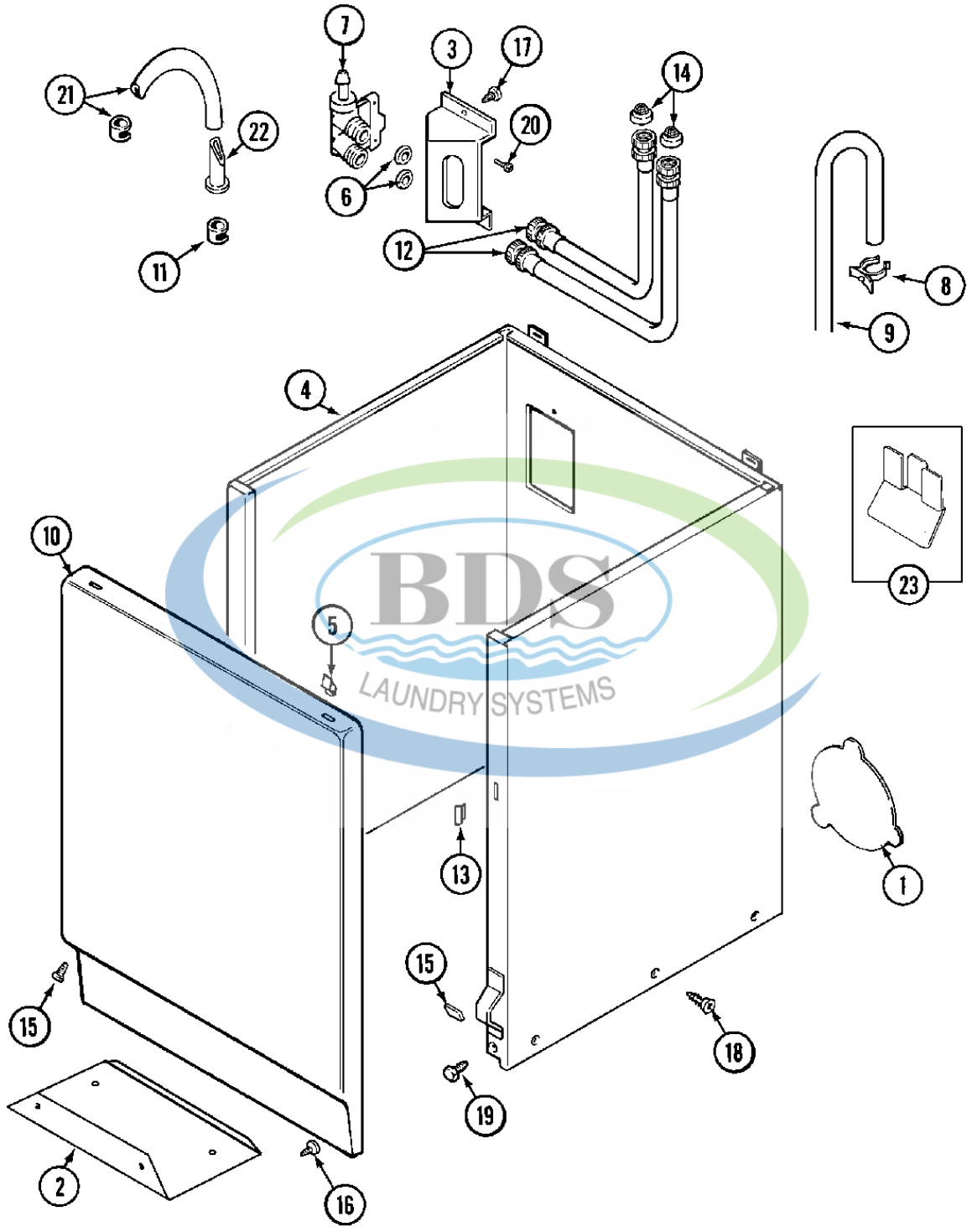




* CONTACT YOUR COMMERCIAL LAUNDRY DISTRIBUTOR

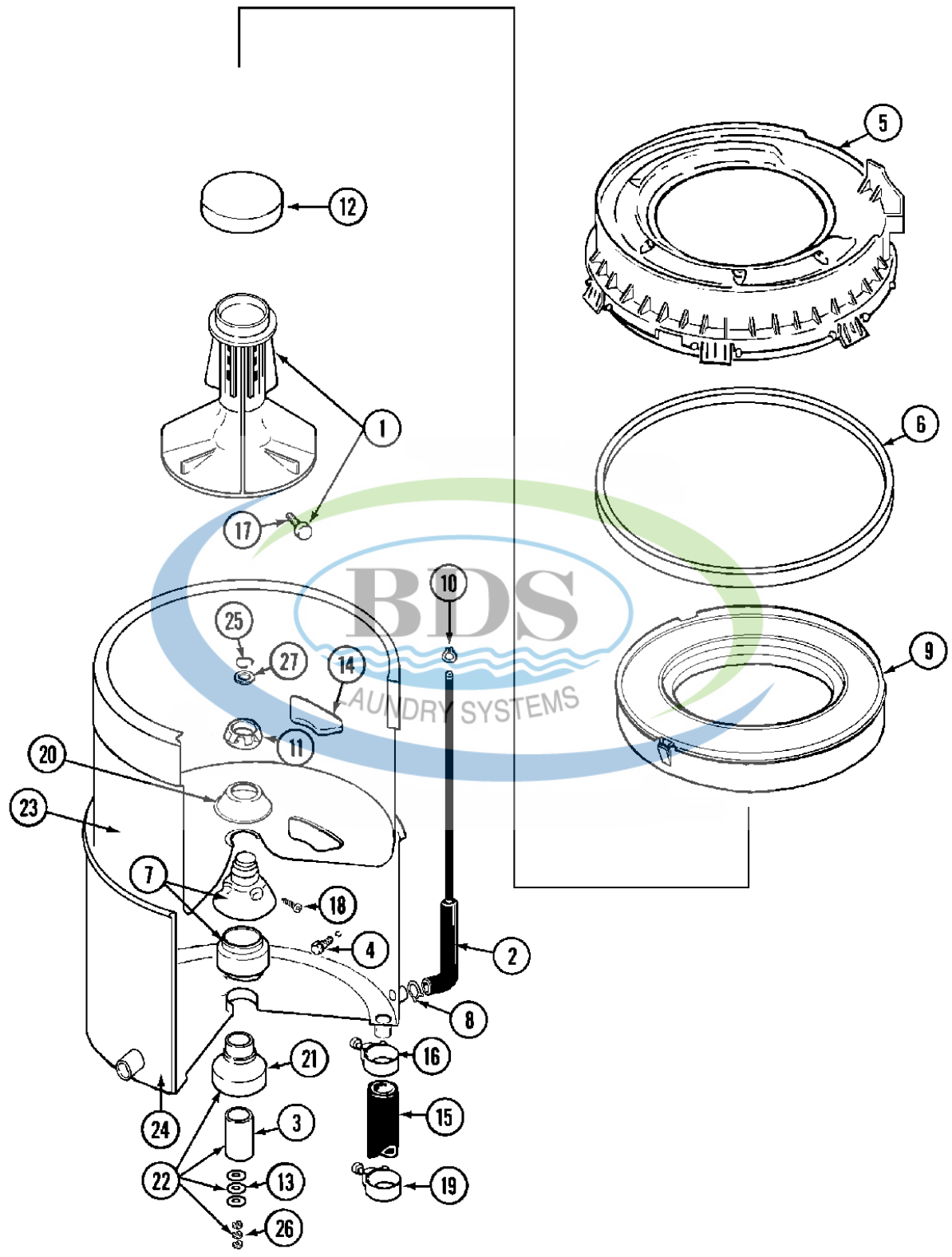
Ref #	Part Number	Qty.	Description
1	22002480	1	VAULT, COIN (WHT)
1	22002481	-	(ALM) (ORIGINAL COIN VAULT NLA USE
2	22001810	1	STRAP, MOUNTING
3	211294	1	SCREW, MOUNTING STRAP
4	910309	1	WASHER, STRAP SCREW
5	22001870	1	GASKET, COIN VAULT (WHT)
5	22001874	-	(ALM)
6	Y052740	2	NUT, CASE MOUNTING
7	213035	2	BOLT, LOCKING
8	910181	2	LOCKWASHER, LOCKING BOLT
9	NLA	1	CAM, LOCKING
10	33001250	2	SWITCH, SENSOR
10	912012	2	SCREW, SENSOR SWITCH
11	22001873	1	DROP ASSY., COIN
11	22001875	-	COIN DROP ASY (CAN)
11	22002144	1	SINGLE FACEPLATE
11	22002535	-	COIN DROP ASY-DUAL (CAN)
11	22003815	1	DUAL FACEPLATE
11	22004112	1	COIN DROP GREENWALD US.25
12	216200	1	BUTTON, RETURN
13	22001910	1	DOOR, ACCESS (WHT)
13	22001911	-	(ALM)
14	22001965	1	SWITCH ASSY., OPTIC
15	314665	1	SCREW, OPTIC SWITCH
16	216068	3	SCREW, COIN DROP
17	22001404	1	BRACKET, SWITCH
18	212276	1	SCREW, SWITCH BRACKET
19	22001966	1	HARNESS, SENSOR SWITCH
20	22002144	1	SINGLE FACEPLATE
20	33002647	1	SINGLE FACEPLATE ASSEMBLY





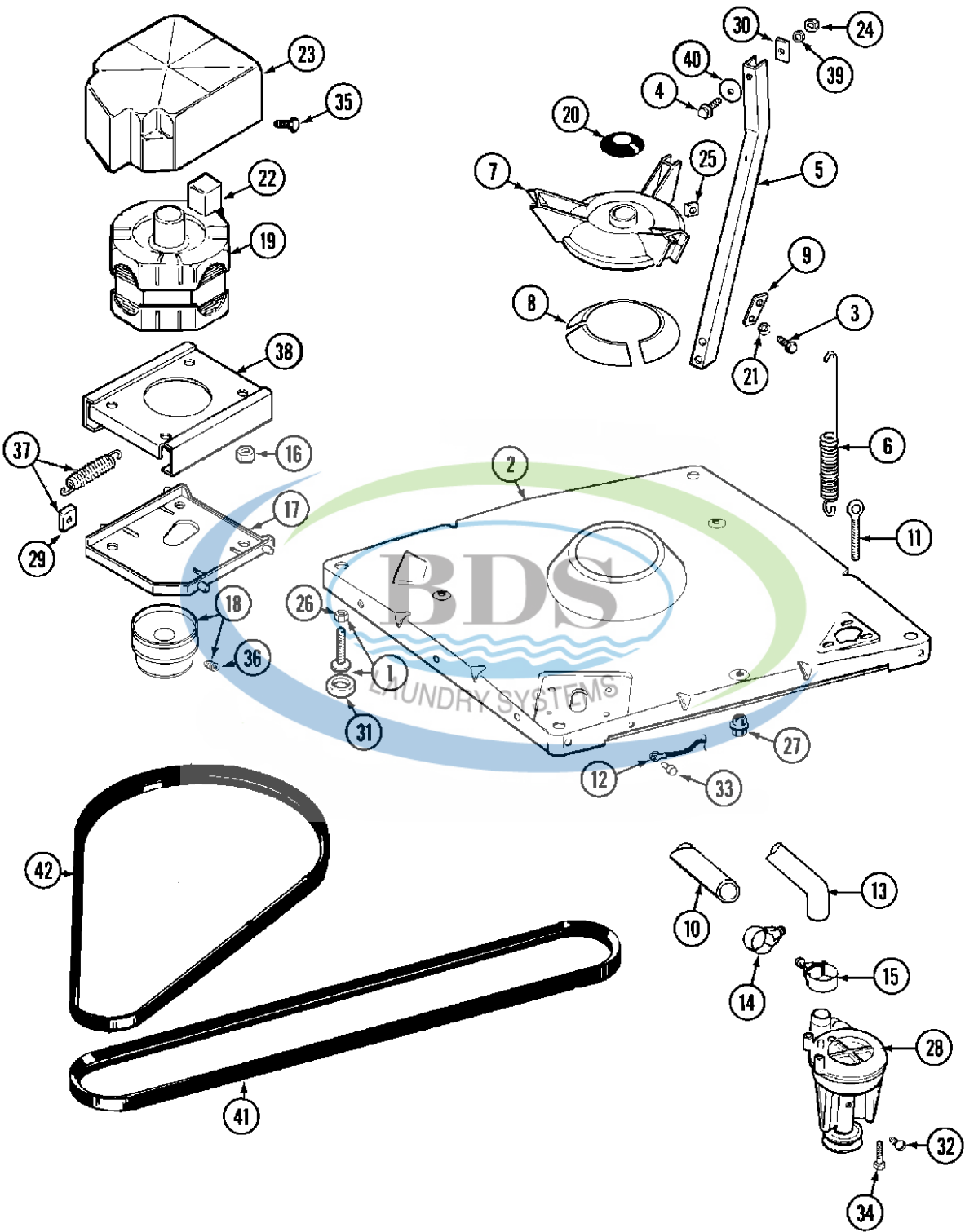
Ref #	Part Number	Qty.	Description
1	211294	2	SCREW, PLATE
1	212985	1	PLATE, ACCESS (W/HOLE)
1	NLA	1	PLATE, ACCESS
2	213846	1	GUARD, BELT
3	214812	1	BRACKET,WATER VALVE
3	22003217	1	SCREW, BRACKET TO CABINET
4	22001972	1	CLIP, CABINET
4	22001995	4	SCREW, V-BRACKET
4	22002381	2	V-BRACKET
4	22002382	4	FASTENER, V-BRACKET
4	NLA	1	CABINET (WHT)
5	22001650	2	FASTENER, SPRING
6	Y013783	2	WASHER, INLET HOSE
7	205161	1	CLAMP, WATER VALVE
7	214337	2	SCREEN, VALVE
7	22001604	1	VALVE, WATER 120V 60HZ
8	22001815	1	CLIP, HOSE
9	22001816	1	HOSE, DRAIN
9	22002700	1	HOSE, DRAIN
9	22002701	1	RETAINER, DRAIN HOSE
10	22001803	1	PANEL, FRONT (WHT)
10	22001804	-	(ALM)
11	205161	1	CLAMP, HOSE
12	205828	2	INLET HOSE ASSEMBLY
13	214376	2	SPACER, FRONT PANEL
14	200961	2	SCREEN WASHER, INLET HOSE
15	213325	2	CLIP, RETAINER
15	22001496	2	SCREW, FRONT PANEL
16	211294	3	SCREW, BELT GUARD
17	212276	1	SCREW, VALVE BRACKET
18	213007	6	SCREW, CABINET SIDES
19	213121	3	SCREW, CABINET
19	213122	2	SCREW, CABINET
20	Y313561	2	SCREW, WATER VALVE
21	22001608	1	INJECTOR HOSE & CLAMP KIT
22	22001900	1	PREVENTER, BACK FLOW
23	22001972	1	CLIP, CABINET



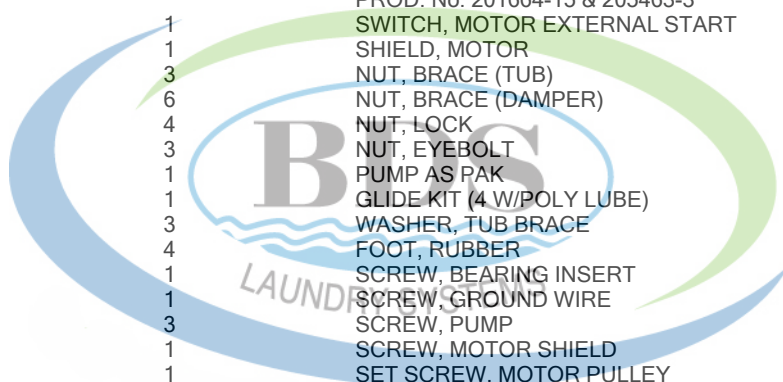


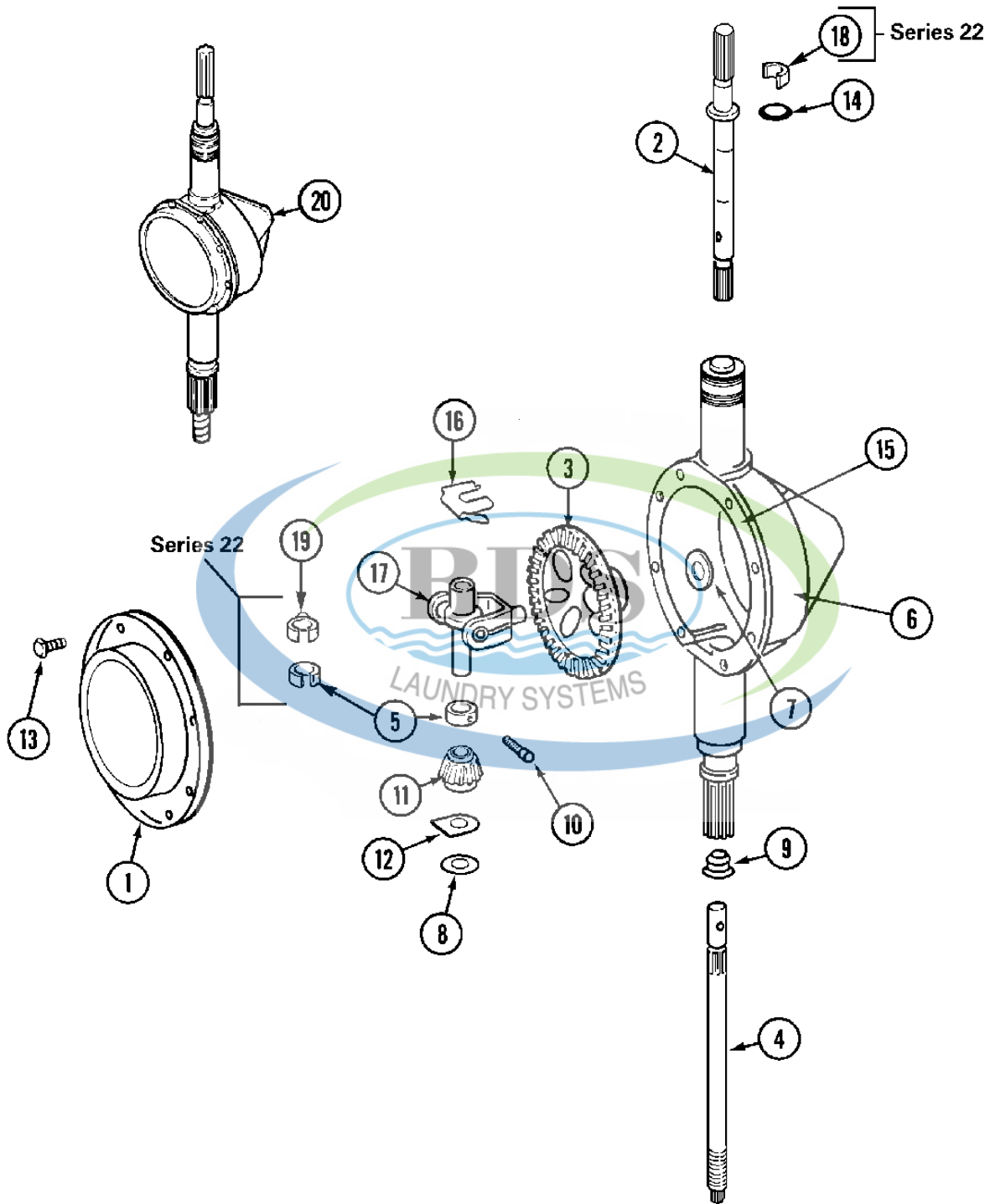
Ref #	Part Number	Qty.	Description
1	208543	1	AGITATOR (W/LOCK SCREW)
2	212942	1	TUBE, WATER LEVEL SWITCH
3	211130	1	LINER, TUB BEARING
4	200744	1	BOLT & GASKET ASSEMBLY (SHORT)
4	205254	2	(LONG)
5	22001606	1	COVER ASSY., TUB
6	Y22001201	1	GASKET, TUB COVER
7	22001648	1	MOUNTING STEM AND SEAL KIT
8	211641	1	CLAMP, 1-1/16"
9	22001142	1	RING, BALANCE (W/CONCRETE)
10	410296	1	CLAMP, WATER LEVEL SWITCH TUBE
11	211047	1	NUT, CLAMPING (INNER TUB)
12	215532	1	CAP, AGITATOR
13	211100	3	WASHER, CUSHION
14	215980	2	PLUG, TUB
15	Y212989	1	HOSE, OUTER TUB
16	22001640	1	CLAMP, HOSE
17	206478	1	SCREW & WASHER ASSEMBLY
18	22001423	1	SET SCREW, MOUNTING STEM
19	22001640	1	CLAMP, TUB HOSE
20	211210	1	WASHER, CLAMPING NUT
21	200824	1	BEARING, TUB
22	204013	1	TUB BEARING REPAIR KIT
23	22001141	1	TUB, INNER
24	22001115	1	TUB, OUTER (LARGE)
25	Y015667	1	RETAINING RING
26	Y054867	3	WASHER, LOCK
27	Y015666	1	WASHER, RETAINING





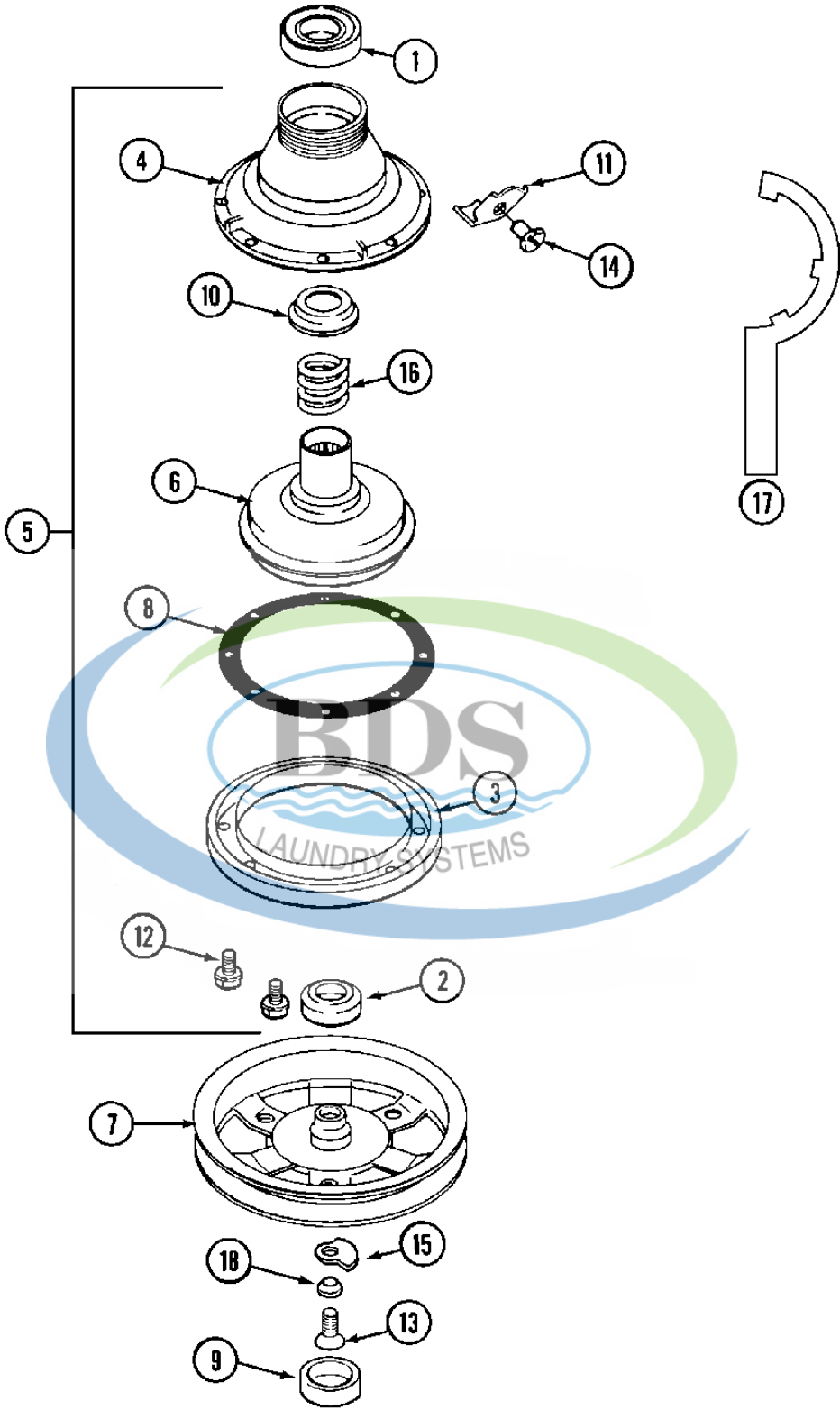
Ref #	Part Number	Qty.	Description
1	Y302699	4	LEG, ADJUSTABLE (W/NUT)---S
2	22001172	1	BASE (W/DAMPER PADS)
3	Y015627	6	SCREW, HEX HD CAP 5/16 X 5/8
4	200744	1	BOLT & GASKET ASSEMBLY (SHORT)
4	205254	2	(LONG)
5	213100	3	BRACE, TUB
6	22001300	3	SPRING, CENTERING
7	203725	1	DAMPER W/BOLT & CLIP
8	203956	1	DAMPER PAD KIT (W/POLY LUBE)
9	213073	3	WASHER, DOUBLE
10	22001816	1	HOSE, DRAIN
11	216416	3	BOLT, EYE/CENTERING SPRING
12	901220	1	WIRE, GROUND
13	Y212989	1	HOSE, OUTER TUB
14	Y22001820	1	CLAMP, HOSE
15	22001640	1	CLAMP, HOSE
16	Y311426	3	NUT, MOTOR BASE
17	22001301	1	MOUNT, MOTOR LOWER-ASSEMBLY
18	200816	1	PULLEY, MOTOR (W/SET SCREW)
19	201805	1	MOTOR (ONE SPEED)
20	22001511	2	DEFLECTOR, WATER (W/ADHESIVE)
21	911852	1	WASHER, LOCK (BRACE)
22	205131	1	SWITCH, MOTOR EXTERNAL START (PROD. No. 207424-2)
22	205132	1	SWITCH, MOTOR EXTERNAL START (201664-14,205463-4&2...
22	206505	1	PROD. No. 201664-15 & 205463-3
22	NLA	1	SWITCH, MOTOR EXTERNAL START
23	215098	1	SHIELD, MOTOR
24	Y052734	3	NUT, BRACE (TUB)
25	Y052785	6	NUT, BRACE (DAMPER)
26	210385	4	NUT, LOCK
27	211949	3	NUT, EYEBOLT
28	202203	1	PUMP AS PAK
29	Y204998	1	GLIDE KIT (4 W/POLY LUBE)
30	212979	3	WASHER, TUB BRACE
31	210684	4	FOOT, RUBBER
32	Y015408	1	SCREW, BEARING INSERT
33	210186	1	SCREW, GROUND WIRE
34	211880	3	SCREW, PUMP
35	213121	1	SCREW, MOTOR SHIELD
36	Y053241	1	SET SCREW, MOTOR PULLEY
37	205000	1	GLIDE & SPRING KIT
38	214956	1	PLATE, MOTOR MOUNT (UPR)
39	Y054867	3	WASHER, LOCK (BRACE)
40	211100	3	WASHER, CUSHION (BRACE)
41	211124	1	V BELT, PUMP
42	211125	1	V BELT, DRIVE PULLEY





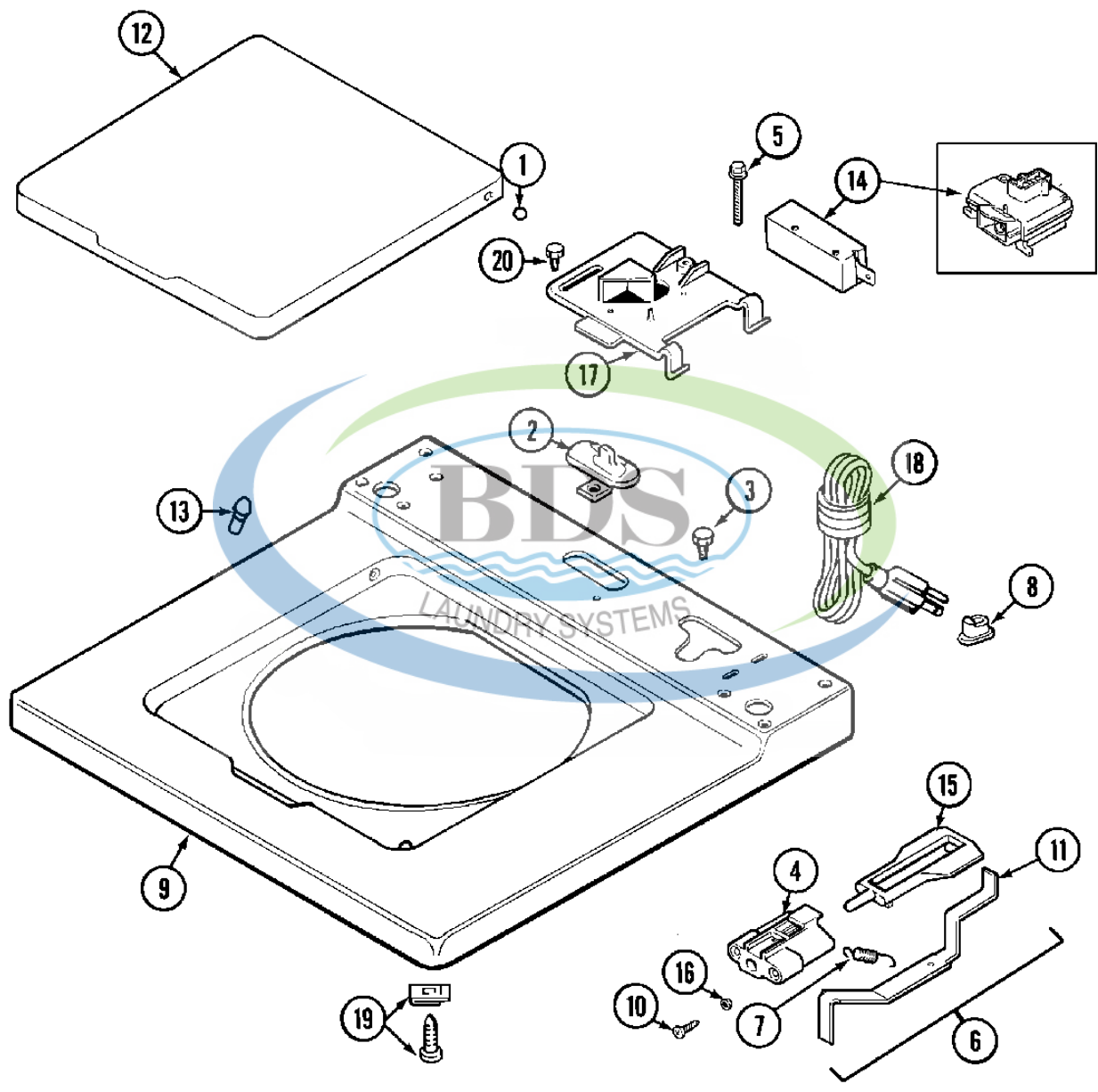
Ref #	Part Number	Qty.	Description
1	206628	1	COVER, TRANSMISSION
2	207153	1	SHAFT, AGITATOR (W/SPRING)
2	22002415	1	SHAFT, AGITATOR
3	206713	1	GEAR, BEVEL
4	22002343	1	SHAFT, CENTER (SHALLOW TUB)
4	NLA	1	SHAFT, CENTER
5	215415	1	COLLAR (LWR)
5	22002353	1	COLLAR, CENTER SHAFT
6	206625	1	HOUSING, TRANSMISSION
6	22002537	1	HOUSING, TRANSMISSION (SHW)
6	Y056080	1	TRANS LUBE (AUTO, 34 OZ.)
7	215394	1	WASHER, BEVEL GEAR
8	211483	1	WASHER, SPLINED
9	206602	1	SEAL, LIP (CENTER SHAFT)
10	W10124350	-	NOT REQUIRED PART OR SEE NOTE
10	Y206629	1	PIN, COLLAR
11	215401	1	PINION
12	215395	1	PLATE, CLUTCH
13	215417	8	SCREW, TRANSMISSION COVER
14	210690	1	SEAL, RUBBER
14	22002417	1	O-RING AGITATOR SHAFT
15	Y058700	1	SILASTIC, ADHESIVE SEALANT
16	215581	1	SPRING, AGITATOR SHAFT
16	W10124350	-	NOT REQUIRED PART OR SEE NOTE
17	206685	1	BLOCK, TORQUE AND YOKE ASSEMBL
18	206708	1	TRANSMISSION (COMPLETE)
18	22002340	1	COLLAR, AGITATOR SHAFT
19	22002340	1	COLLAR, AGITATOR SHAFT
20	22002127	1	TRANS W/STEM/SEAL(SHALLOW TUB)





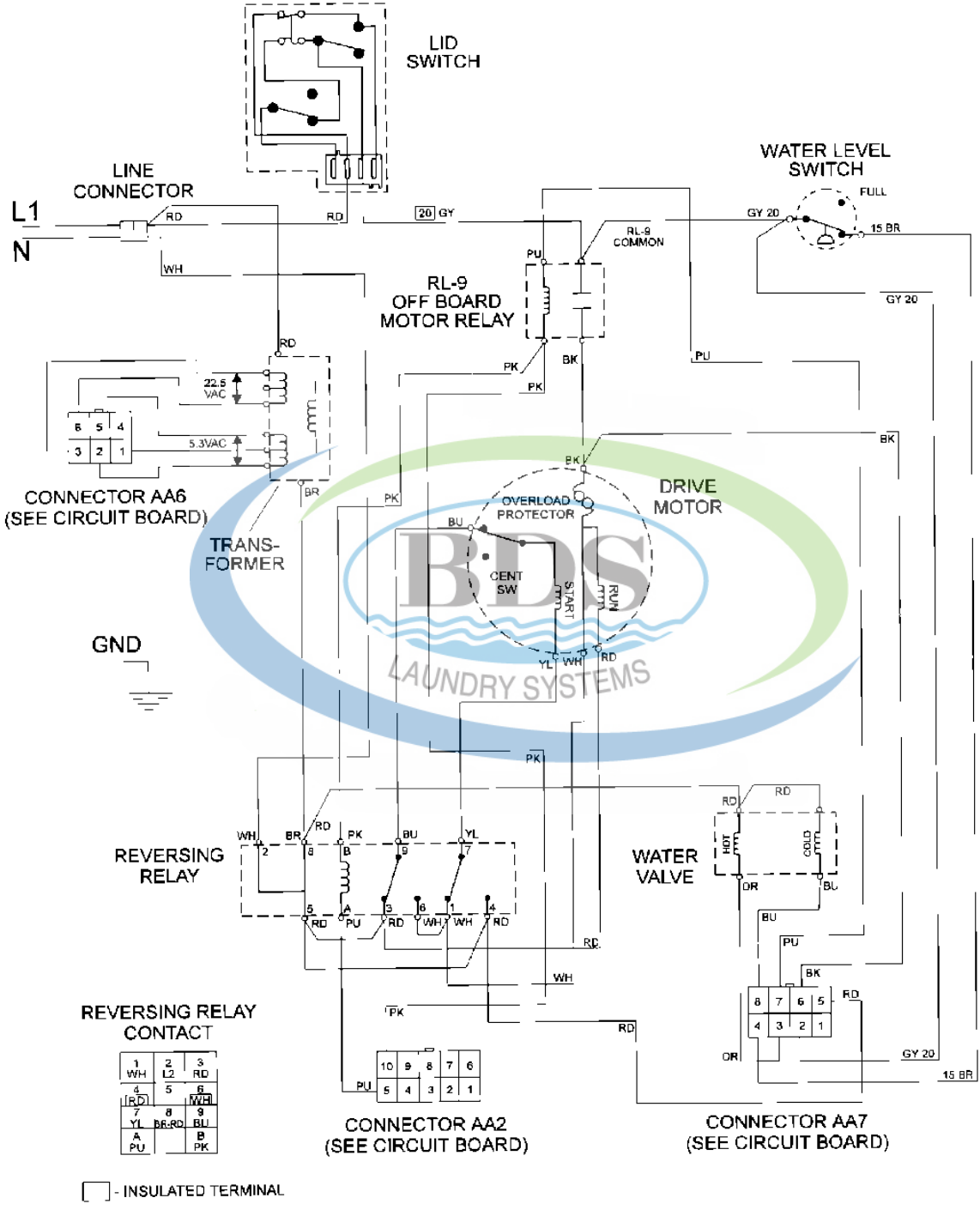
Ref #	Part Number	Qty.	Description
1	Y200720	1	BALL BEARING, RADIAL----S
2	200835	1	BEARING, BRAKE ROTOR
3	211043	1	DRUM, BRAKE
4	211045	1	HOUSING, BRAKE
5	201190	1	PACKAGE, BRAKE
6	201126	1	ROTOR, BRAKE (W/FACING)
7	211059	1	PULLEY, DRIVE
7	22002431	1	PULLEY ASSEMBLY
8	211042	1	GASKET, BRAKE DRUM
9	22002428	1	COVER, DUST (PLASTIC)
9	NLA	1	CAP, OIL RETAINER
10	211039	1	RETAINER, BRAKE SPRING
11	213325	1	CLIP, RETAINER
12	211000	8	SCREW, BRAKE DRUM (HEX HD)
13	211375	1	SCREW, DRIVE LUG
14	213326	1	BOLT, RETAINING CLIP
15	211089	1	LUG, STOP
16	211041	1	SPRING, BRAKE
17	Y038315	1	TOOL, BRAKE PACKAGE ASSEMBLY
18	211090	1	WASHER, LOCK (DRIVE LUG)





Ref #	Part Number	Qty.	Description
1	211726	2	HINGE, BALL
2	207159	1	SCREW, CAP
2	22001298	1	CAP, TOP COVER
3	210186	1	SCREW, GROUND WIRE
4	22002135	1	BRACKET, UNBALANCE
5	213501	2	SCREW, LID SWITCH
6	22001681	1	LEVER ASSY. (UNBALANCE)
6	22001969	1	LEVER ASSY. (UNBALANCE)
7	213720	1	SPRING
8	211881	1	GROMMET, CORD
9	22001970	1	COVER ASSY., TOP (WHT)
9	22001971	-	(ALM)
10	910182	2	SCREW, PLUNGER BRACKET
11	22001672	1	LEVER, UNBALANCE
11	22001968	1	LEVER, UNBALANCE
12	22001341	1	LID W/LEGEND (WHT)
12	22001342	-	(W/LEGEND-ALM)
13	212716	2	BUMPER, LID
14	205415	1	SWITCH, LID (W/O TUB LIGHT)
14	22001967	1	SWITCH, LID
15	216255	1	PLUNGER, LID SWITCH
16	211500	2	WASHER, BRACKET
17	22001678	1	BRACKET, SWITCH & FUSE
18	22001549	1	CORD, POWER
19	204445	2	SCREW & FASTENER ASSEMBLY
20	207159	1	SCREW, BRACKET





Ref #	Part Number	Qty.	Description
1	NLA	1	WIRING INFORMATION

