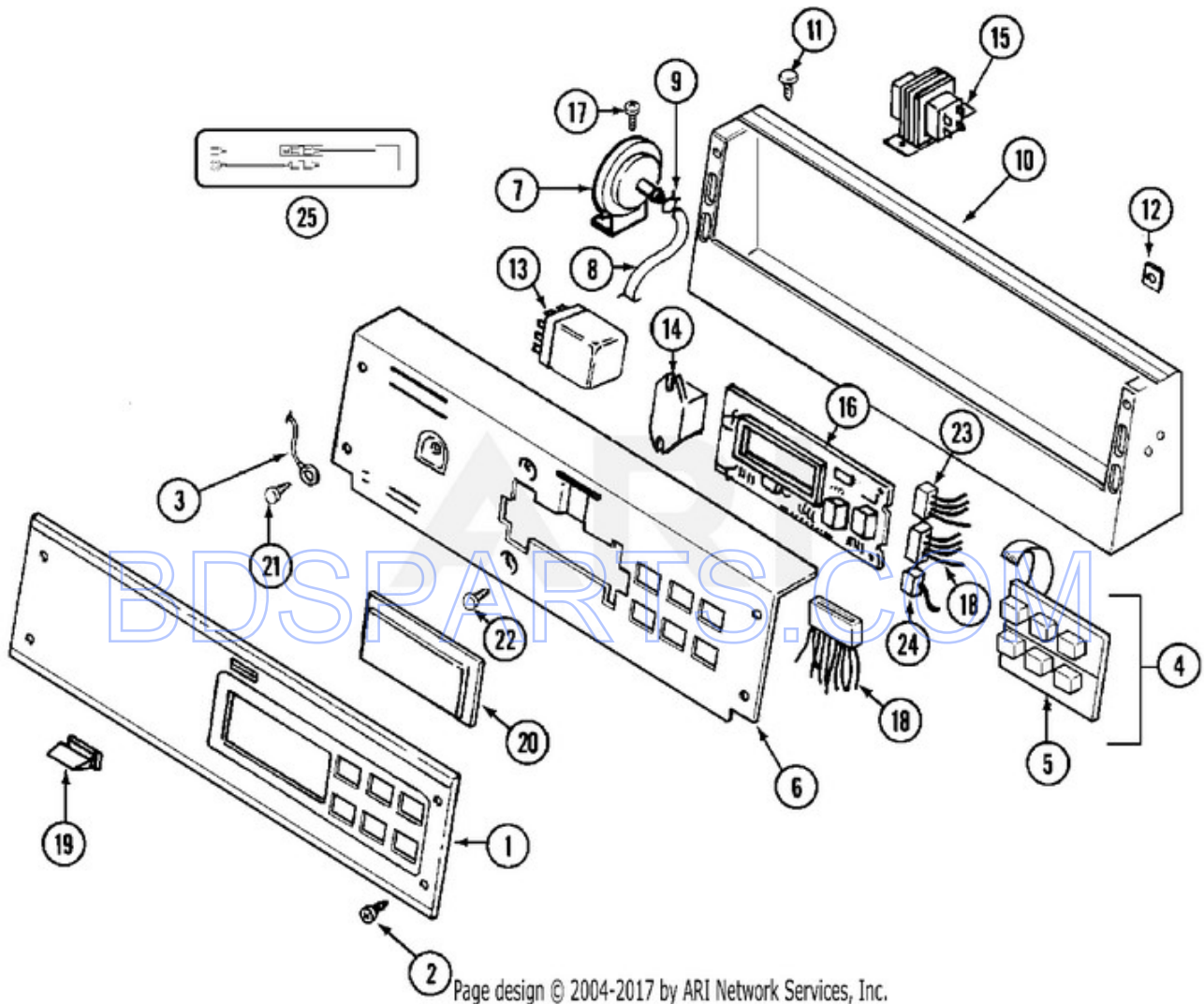


MAT12PRBAW - 01 - CONTROL PANEL

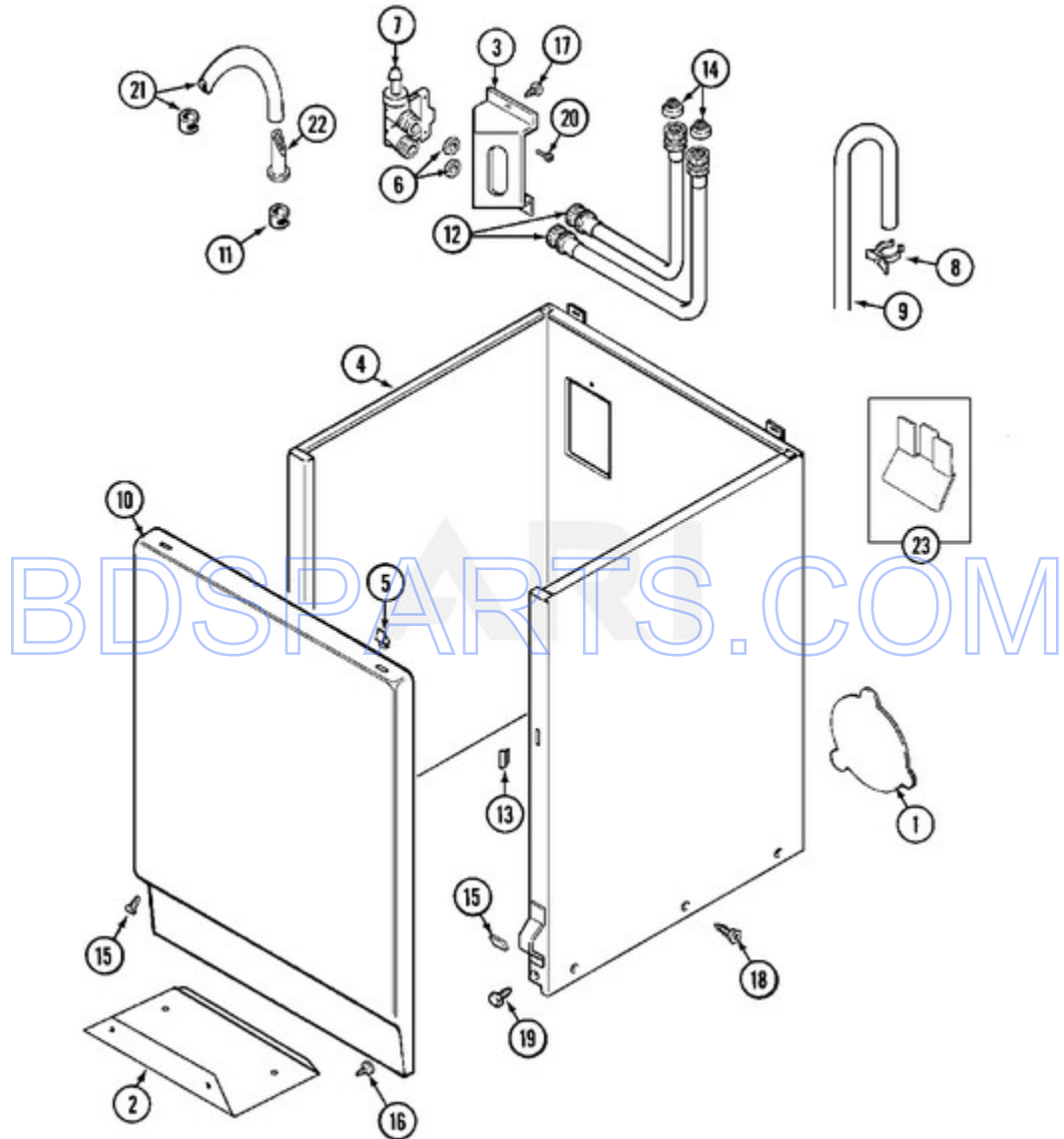


Ref #	Part #	Description	Qty	Context Note	MSRP
1	22001958	PANEL, CONTROL	-	Series 10	
1	22001974	PANEL, CONTROL	1	Series 10	
1	22001976	BEZEL	1	Series 10	
2	215506	SCREW, CONTROL PANEL	4	Series 10	
3	22001959	WIRE, GROUND	1	Series 10	
4	206808	CONTROL SWITCH ASSEMBLY	1	Series 10	
4	215527	SCREW, SWITCH	2	Series 10	
5	215517	PUSHBUTTON, CONTROL SWITCH	2	Series 10	
6	22001961	BRACKET, BACK (WHT)	-	Series 10	
6	22001975	BRACKET, BACK (WHT)	1	Series 10	
6	22003207	BRACKET, BACK (WHT)	-	Series 29	
6	315211	SCREW, BACK BRACKET	3	Series 10	
6	912077	LOCKNUT	6	Series 10	
7	22001308	SWITCH, WATER LEVEL	1	Series 10	
8	22001619	TUBE, WATER LEVEL SWITCH	1	Series 10	
9	410296	CLAMP, WATER LEVEL TUBE	1	Series 10	
10	206780	CONSOLE (WHT)	-	Series 10	
10	22001366	CONSOLE (WHT)	1	Series 10	
10	22003093	CONSOLE (WHT)	-	Series 29	
11	212276	SCREW, CONSOLE	-	Series 10	
11	216423	SCREW, CONSOLE	4	Series 10	
12	215003	CLIP, SCREW	2	Series 10	
13	206421	RELAY, REVERSING (DPDT)	1	Series 10	
14	206824	RELAY, MOTOR (SPST)	1	Series 10	
15	211294	SCREW, TRANSFORMER	1	Series 10	
15	22001960	TRANSFORMER	1	Series 10	
15	Y313559	SCREW	1	Series 10	
16	22001511	DEFLECTOR, WATER (W/ADHESIVE)	2	Series 10	
16	22001955	BOARD ASSY., CIRCUIT	-	Series 10	
16	22002138	BOARD ASSY., CIRCUIT	1	Series 10	
16	33001204	STANDOFF, CIRCUIT BOARD	4	Series 10	
16	912077	LOCKNUT, CONTROL BOARD	2	Series 10	
17	211294	SCREW, WATER LEVEL SWITCH	2	Series 10	
18	22001361	CONNECTOR, EDGEBOARD	-	Series 10	
18	22001963	WIRE HARNESS, MAIN	1	Series 10	
18	22002699	CAPACITOR, MICROFARAD	2	Series 10	
18	22002986	WIRE HARNESS, MAIN	1	Series 15	
18	22003299	WIRE HARNESS, MAIN	1	Series 27	
18	314531	CONNECTOR, EDGEBOARD	2	Series 10	
18	NLA	LINE CAPACITOR ASSY.	1	Series 27	
18	Y312953	TERMINAL, EDGEBOARD	26	Series 10	
19	214610	BUMPER, LID	1	Series 10	
20	22001962	COVER, DISPLAY	1	Series 10	
21	210186	SCREW, GROUND WIRE	1	Series 10	

Ref #	Part #	Description	Qty	Context Note	MSRP
21	215526	SCREW, CONTROL BOARD	2	Series 10	
22	22001965	SWITCH ASSY., OPTIC	-	Series 10	
22	NLA	CONNECTOR, EDGEBOARD----NA	-	Series 10	
23	22001966	HARNESS, SENSOR SWITCH	-	Series 10	
23	22001973	HARNESS, PR SERVICE	1	Series 10	
24	33001856	READER HARNESS KIT (16'')	1	Series 10	

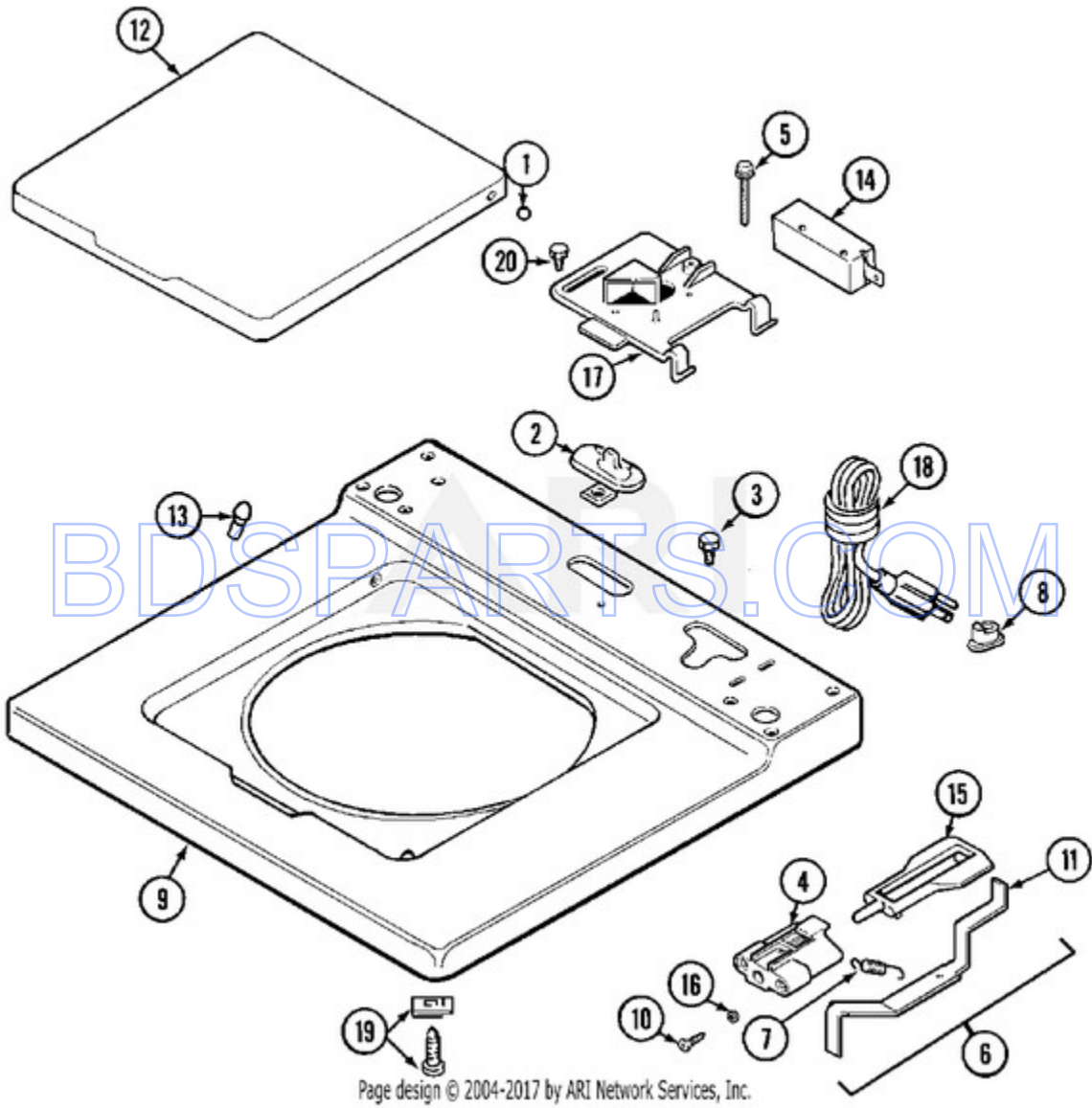
BDSPARTS.COM

MAT12PRBAW - 02 - CABINET



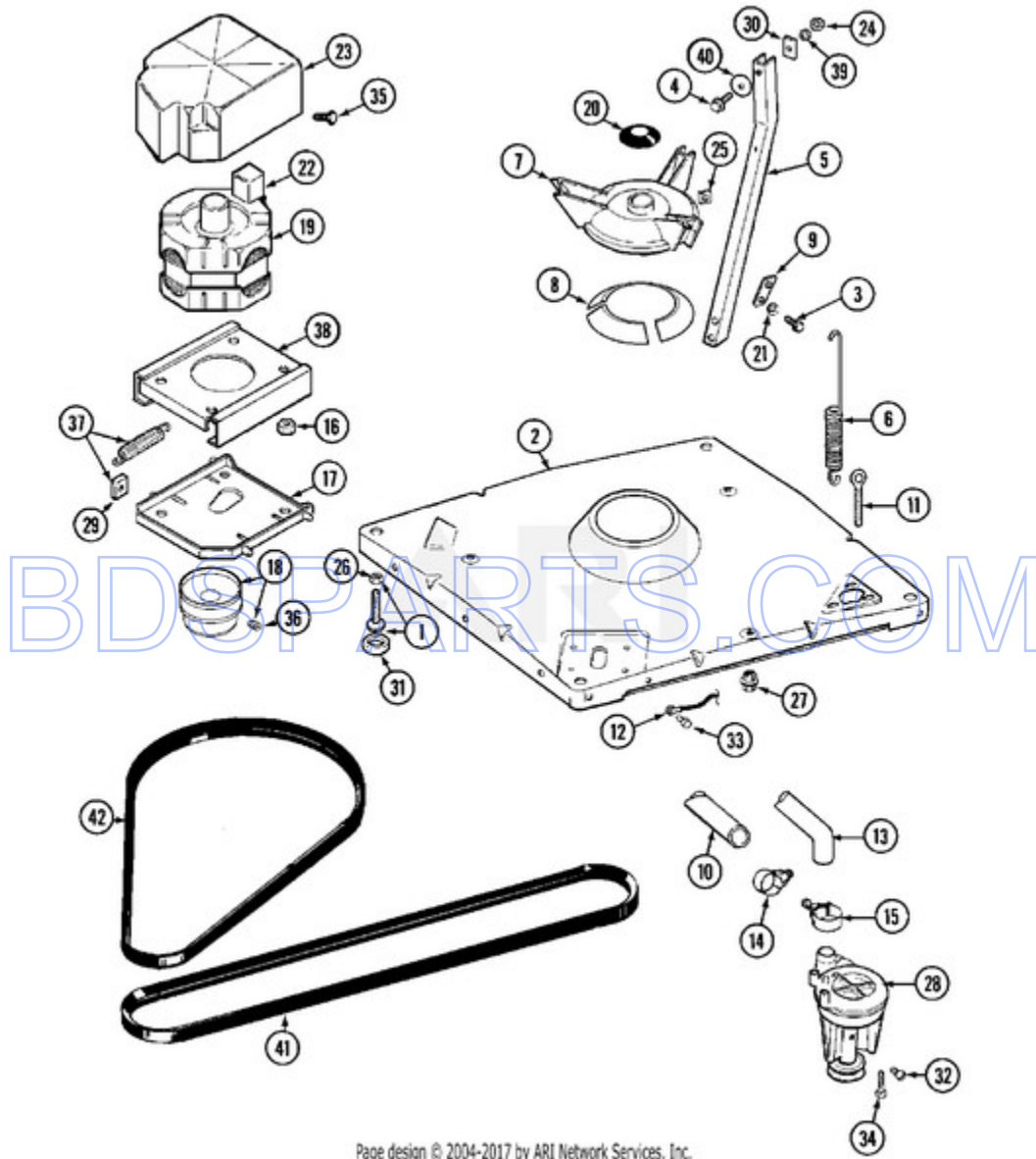
Ref #	Part #	Description	Qty	Context Note	MSRP
1	211294	SCREW, PLATE	2	Series 10	
1	212985	PLATE, ACCESS (W/HOLE)	1	Series 10	
1	NLA	PLATE, ACCESS	1	Series 10	
2	213846	GUARD, BELT	1	Series 10	
3	214812	BRACKET, WATER VALVE	1	Series 10	
3	22003217	SCREW, BRACKET TO CABINET	1	Series 10	
4	22001972	CLIP, CABINET	1	Series 10	
4	22001995	SCREW, V-BRACKET	4	Series 18	
4	22002381	V-BRACKET	2	Series 18	
4	22002382	FASTENER, V-BRACKET	4	Series 18	
4	NLA	CABINET (WHT)	1	Series 10	
5	22001650	FASTENER, SPRING	2	Series 10	
6	Y013783	WASHER, INLET HOSE	2	Series 10	
7	205161	CLAMP, WATER VALVE	1	Series 10	
7	214337	SCREEN, VALVE	2	Series 10	
7	22001604	VALVE, WATER 120V 60HZ	1	Series 10	
8	22001815	CLIP, HOSE	1	Series 10	
9	22001816	HOSE, DRAIN	1	Series 10	
9	22002700	HOSE, DRAIN	1	Series 16	
9	22002701	RETAINER, DRAIN HOSE	1	Series 16	
10	22001803	PANEL, FRONT (WHT)	1	Series 10	
11	205161	CLAMP, HOSE	1	Series 10	
12	205828	INLET HOSE ASSEMBLY	1	Series 10	
13	214376	SPACER, FRONT PANEL	2	Series 10	
14	200961	SCREEN WASHER, INLET HOSE	2	Series 10	
15	22001496	SCREW, FRONT PANEL	2	Series 10	
16	211294	SCREW, BELT GUARD	3	Series 10	
17	212276	SCREW, VALVE BRACKET	1	Series 10	
18	213007	SCREW, CABINET SIDES	6	Series 10	
19	213121	SCREW, CABINET	3	Series 10	
19	213122	SCREW, CABINET	2	Series 10	
20	Y313561	SCREW, WATER VALVE	2	Series 10	
21	22001608	INJECTOR HOSE & CLAMP KIT	1	Series 10	
22	22001900	PREVENTER, BACK FLOW	1	Series 10	
23	22001972	CLIP, CABINET	1	Series 15	

MAT12PRAAW - 03 - TOP



Ref #	Part #	Description	Qty	Context	Note	MSRP
1	211726	HINGE, BALL	2	Series	10	
2	207159	SCREW, CAP	1	Series	10	
2	22001298	CAP, TOP COVER	1	Series	10	
3	210186	SCREW, GROUND WIRE	1	Series	10	
4	NLA	BRACKET, UNBALANCE----NA	1	Series	10	
5	213501	SCREW, LID SWITCH	2	Series	10	
6	22001681	LEVER ASSY. (UNBALANCE)	1	Series	10	
7	213720	SPRING	1	Series	10	
8	211881	GROMMET, CORD	1	Series	10	
9	22001867	COVER, TOP (WHT)	1	Series	10	
9	22001970	COVER, TOP (WHT)	1	Series	13	
10	910182	SCREW, PLUNGER BRACKET	2	Series	10	
11	22001672	LEVER, UNBALANCE	1	Series	10	
12	22001341	LID W/LEGEND (WHT)	1	Series	10	
13	212716	BUMPER, LID	2	Series	10	
14	205415	SWITCH, LID (W/O TUB LIGHT)	1	Series	10	
14	22002152	WIRE, JUMPER	1	Series	12	
15	216255	PLUNGER, LID SWITCH	1	Series	10	
16	211500	WASHER, BRACKET	2	Series	10	
17	22001678	BRACKET, SWITCH & FUSE	1	Series	10	
18	22001642	CORD, POWER	1	Series	10	
19	204445	SCREW & FASTENER ASSEMBLY	2	Series	10	
20	207159	SCREW, BRACKET	1	Series	10	

MAT12PRBAW - 04 - BASE

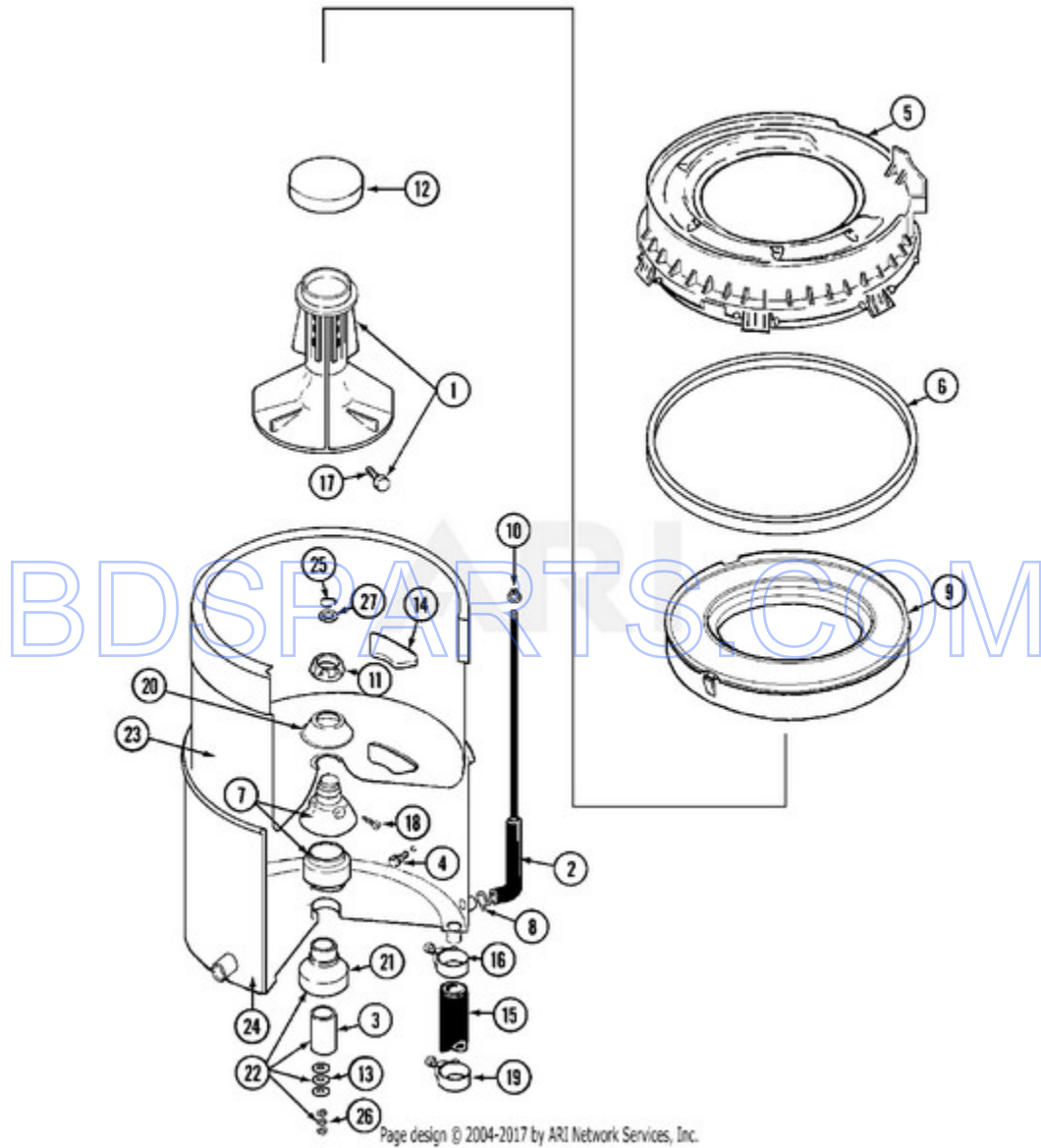


Ref #	Part #	Description	Qty	Context	Note	MSRP
1	Y302699	LEG, ADJUSTABLE (W/NUT)---S	4	Series	10	
2	22001172	BASE (W/DAMPER PADS)	1	Series	10	
3	Y015627	SCREW, HEX HD CAP 5/16 X 5/8	6	Series	10	
4	200744	BOLT & GASKET ASSEMBLY (SHORT)	1	Series	10	
4	205254	(LONG)	2	Series	10	
5	213100	BRACE, TUB	3	Series	10	
6	22001300	SPRING, CENTERING	3	Series	10	
7	203725	DAMPER W/BOLT & CLIP	1	Series	10	
8	203956	DAMPER PAD KIT (W/POLY LUBE)	1	Series	10	
9	213073	WASHER, DOUBLE	3	Series	10	
10	22001816	HOSE, DRAIN	1	Series	10	
11	216416	BOLT, EYE/CENTERING SPRING	3	Series	10	
12	901220	WIRE, GROUND	1	Series	10	
13	Y212989	HOSE, OUTER TUB	1	Series	10	
14	Y22001820	CLAMP, HOSE	1	Series	10	
15	22001640	CLAMP, HOSE	1	Series	10	
16	Y311426	NUT, MOTOR BASE	3	Series	10	
17	22001301	MOUNT, MOTOR LOWER-ASSEMBLY	1	Series	10	
18	200816	PULLEY, MOTOR (W/SET SCREW)	1	Series	10	
19	201805	MOTOR (ONE SPEED)	1	Series	10	
20	22001511	DEFLECTOR, WATER (W/ADHESIVE)	2	Series	10	
21	911852	WASHER, LOCK (BRACE)	1	Series	10	
22	205131	SWITCH, MOTOR EXTERNAL START (PROD. No. 207424-2)	1	Series	10	
22	205132	SWITCH, MOTOR EXTERNAL START (201664-14,205463-4&201800-4)	1	Series	10	
22	206505	(PROD. 201664-15 & 205463-3)				
22	NLA	SWITCH, MOTOR EXTERNAL START	1	Series	10	
23	215098	SHIELD, MOTOR	1	Series	10	
24	Y052734	NUT, BRACE (TUB)	3	Series	10	
25	Y052785	NUT, BRACE (DAMPER)	6	Series	10	
26	210385	NUT, LOCK	4	Series	10	
27	211949	NUT, EYEBOLT	3	Series	10	
28	202203	PUMP AS PAK	1	Series	10	
29	Y204998	GLIDE KIT (4 W/POLY LUBE)	1	Series	10	
30	212979	WASHER, TUB BRACE	3	Series	10	
31	210684	FOOT, RUBBER	4	Series	10	
32	Y015408	SCREW, BEARING INSERT	1	Series	10	
33	210186	SCREW, GROUND WIRE	1	Series	10	
34	211880	SCREW, PUMP	3	Series	10	

Ref #	Part #	Description	Qty	Context	Note	MSRP
35	213121	SCREW, MOTOR SHIELD	1	Series	10	
36	Y053241	SET SCREW, MOTOR PULLEY	1	Series	10	
37	205000	GLIDE & SPRING KIT	1	Series	10	
38	214956	PLATE, MOTOR MOUNT (UPR)	1	Series	10	
39	Y054867	WASHER, LOCK (BRACE)	3	Series	10	
40	211100	WASHER, CUSHION (BRACE)	3	Series	10	
41	211124	V BELT, PUMP	1	Series	10	
42	211125	V BELT, DRIVE PULLEY	1	Series	10	

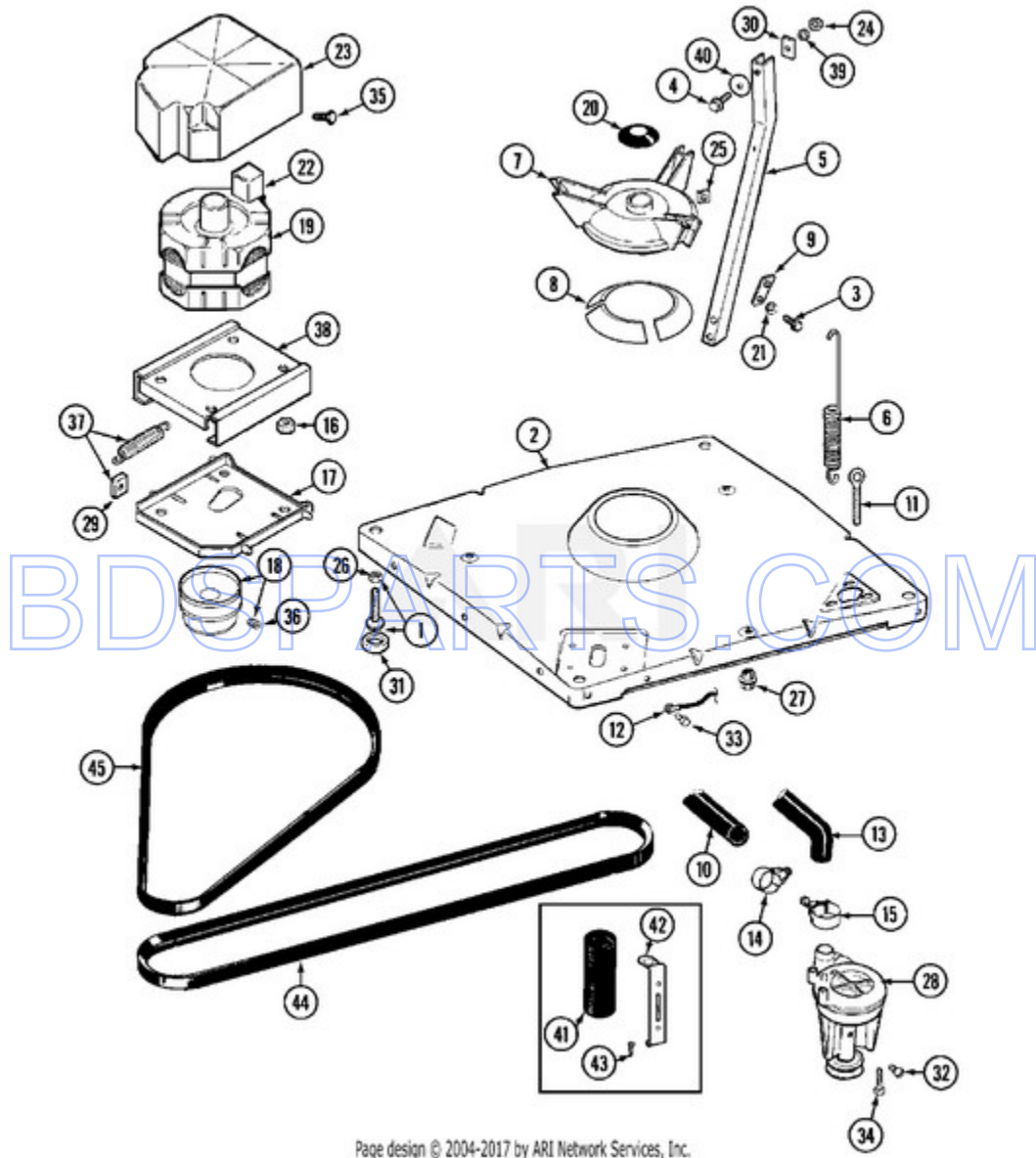
BDSPARTS.COM

MAT12PRAAW - 05 - TUB



Ref #	Part #	Description	Qty	Context	Note	MSRP
1	208543	AGITATOR (W/LOCK SCREW)	1	Series	10	
2	212942	TUBE, WATER LEVEL SWITCH	1	Series	10	
3	211130	LINER, TUB BEARING	1	Series	10	
4	200744	BOLT & GASKET ASSEMBLY (SHORT)	1	Series	10	
4	205254	(LONG)	2	Series	10	
5	22001606	COVER ASSY., TUB	1	Series	10	
6	Y22001201	GASKET, TUB COVER	1	Series	10	
7	22001648	MOUNTING STEM AND SEAL KIT	1	Series	10	
8	211641	CLAMP, 1-1/16"	1	Series	10	
9	22001142	RING, BALANCE (W/CONCRETE)	1	Series	10	
10	410296	CLAMP, WATER LEVEL SWITCH TUBE	1	Series	10	
11	211047	NUT, CLAMPING (INNER TUB)	1	Series	10	
12	215532	CAP, AGITATOR	1	Series	10	
13	211100	WASHER, CUSHION	3	Series	10	
14	215980	PLUG, TUB	2	Series	10	
15	Y212989	HOSE, OUTER TUB	1	Series	10	
16	22001640	CLAMP, HOSE	1	Series	10	
17	206478	SCREW & WASHER ASSEMBLY	1	Series	10	
18	22001423	SET SCREW, MOUNTING STEM	1	Series	10	
19	22001640	CLAMP, TUB HOSE	1	Series	10	
20	211210	WASHER, CLAMPING NUT	1	Series	10	
21	200824	BEARING, TUB	1	Series	10	
22	204013	TUB BEARING REPAIR KIT	1	Series	10	
23	22001141	TUB, INNER	1	Series	10	
24	22001115	TUB, OUTER (LARGE)	1	Series	10	
25	Y015667	RETAINING RING	1	Series	10	
26	Y054867	WASHER, LOCK	3	Series	10	
27	Y015666	WASHER, RETAINING	1	Series	10	

MAT12PRAAW - 06 - BASE



Ref #	Part #	Description	Qty	Context	Note	MSRP
1	Y302699	LEG, ADJUSTABLE (W/NUT)---S	4	Series	10	
2	22001172	BASE (W/DAMPER PADS)	1	Series	10	
3	Y015627	SCREW, HEX HD CAP 5/16 X 5/8	6	Series	10	
4	200744	BOLT & GASKET ASSEMBLY (SHORT)	1	Series	10	
4	205254	(LONG)	2	Series	10	
5	213100	BRACE, TUB	3	Series	10	
6	22001300	SPRING, CENTERING	3	Series	10	
7	203725	DAMPER W/BOLT & CLIP	1	Series	10	
8	203956	DAMPER PAD KIT (W/POLY LUBE)	1	Series	10	
9	213073	WASHER, DOUBLE	3	Series	10	
10	22001816	HOSE, DRAIN	1	Series	10	
11	216416	BOLT, EYE/CENTERING SPRING	3	Series	10	
12	901220	WIRE, GROUND	1	Series	10	
13	Y212989	HOSE, OUTER TUB	1	Series	10	
14	Y22001820	CLAMP, HOSE	-	Series	10	
15	22001640	CLAMP, HOSE	1	Series	10	
16	Y311426	NUT, MOTOR BASE	3	Series	10	
17	22001301	MOUNT, MOTOR LOWER-ASSEMBLY	1	Series	10	
18	200816	PULLEY, MOTOR (W/SET SCREW)	1	Series	10	
19	201805	MOTOR (ONE SPEED)	1	Series	10	
20	22001511	DEFLECTOR, WATER (W/ADHESIVE)	1	Series	10	
21	911852	WASHER, LOCK (BRACE)	1	Series	10	
22	205131	SWITCH, MOTOR EXTERNAL START (PROD. No. 207424-2)	1	Series	10	
22	205132	SWITCH, MOTOR EXTERNAL START (201664-14,205463-4&201800-4)	1	Series	10	
22	206505	PROD. No. 201664-15 & 205463-3				
22	NLA	SWITCH, MOTOR EXTERNAL START	1	Series	10	
23	215098	SHIELD, MOTOR	1	Series	10	
24	Y052734	NUT, BRACE (TUB)	3	Series	10	
25	Y052785	NUT, BRACE (DAMPER)	6	Series	10	
26	210385	NUT, LOCK	4	Series	10	
27	211949	NUT, EYEBOLT	3	Series	10	
28	202203	PUMP AS PAK	1	Series	10	
29	Y204998	GLIDE KIT (4 W/POLY LUBE)	1	Series	10	
30	212979	WASHER, TUB BRACE	3	Series	10	
31	210684	FOOT, RUBBER	4	Series	10	
32	Y015408	SCREW, BEARING INSERT	1	Series	10	
33	210186	SCREW, GROUND WIRE	1	Series	10	
34	211880	SCREW, PUMP	3	Series	10	

Ref #	Part #	Description	Qty	Context	Note	MSRP
35	213121	SCREW, MOTOR SHIELD	1	Series	10	
36	Y053241	SET SCREW, MOTOR PULLEY	1	Series	10	
37	205000	GLIDE & SPRING KIT	1	Series	10	
38	214956	PLATE, MOTOR MOUNT (UPR)	1	Series	10	
39	Y054867	WASHER, LOCK (BRACE)	3	Series	10	
40	211100	WASHER, CUSHION (BRACE)	3	Series	10	
44	211124	V BELT, PUMP	1	Series	10	
45	211125	V BELT, DRIVE PULLEY	1	Series	10	

BDSPARTS.COM