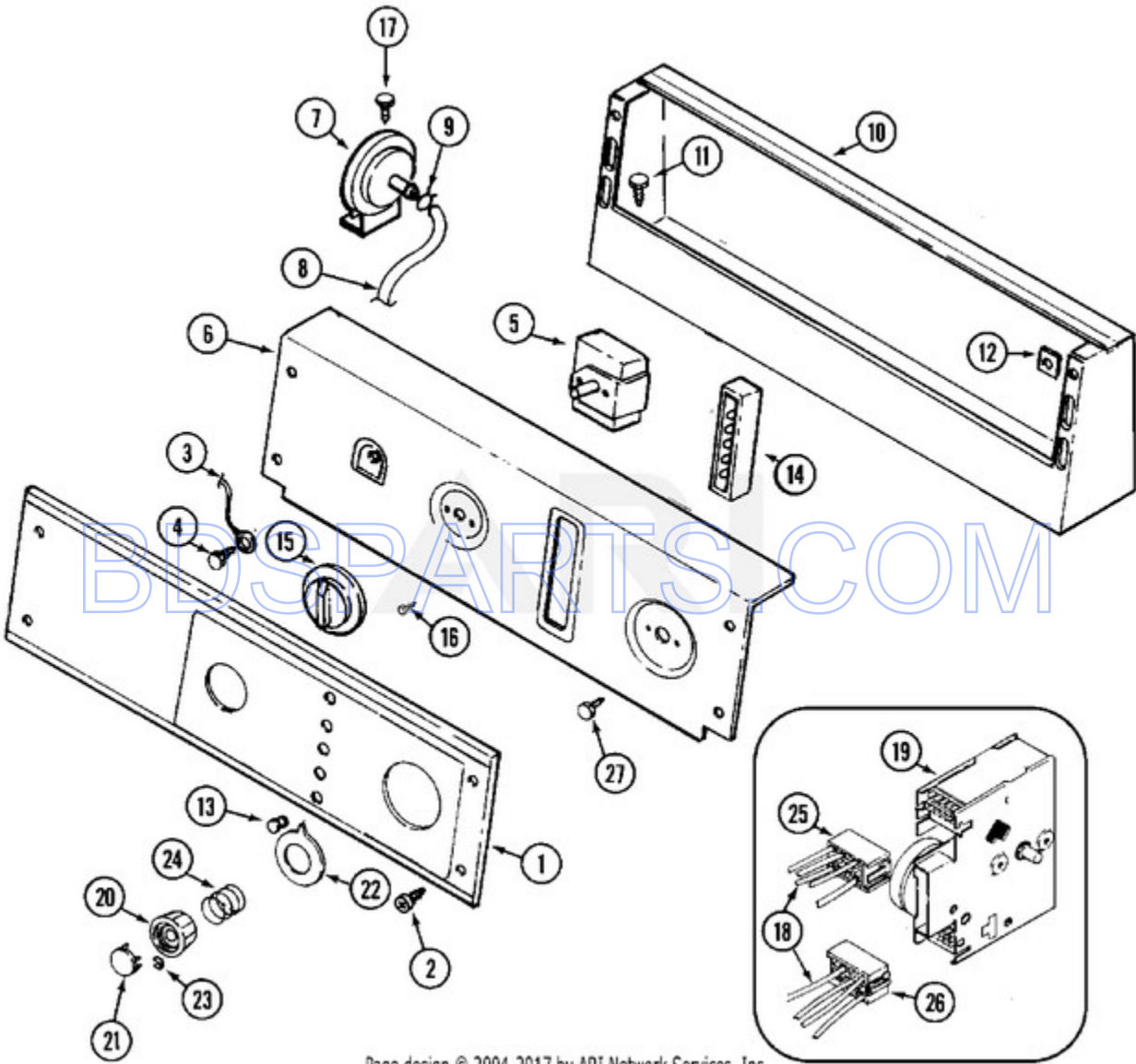


MAT13MNAAW - 01 - CONTROL PANEL

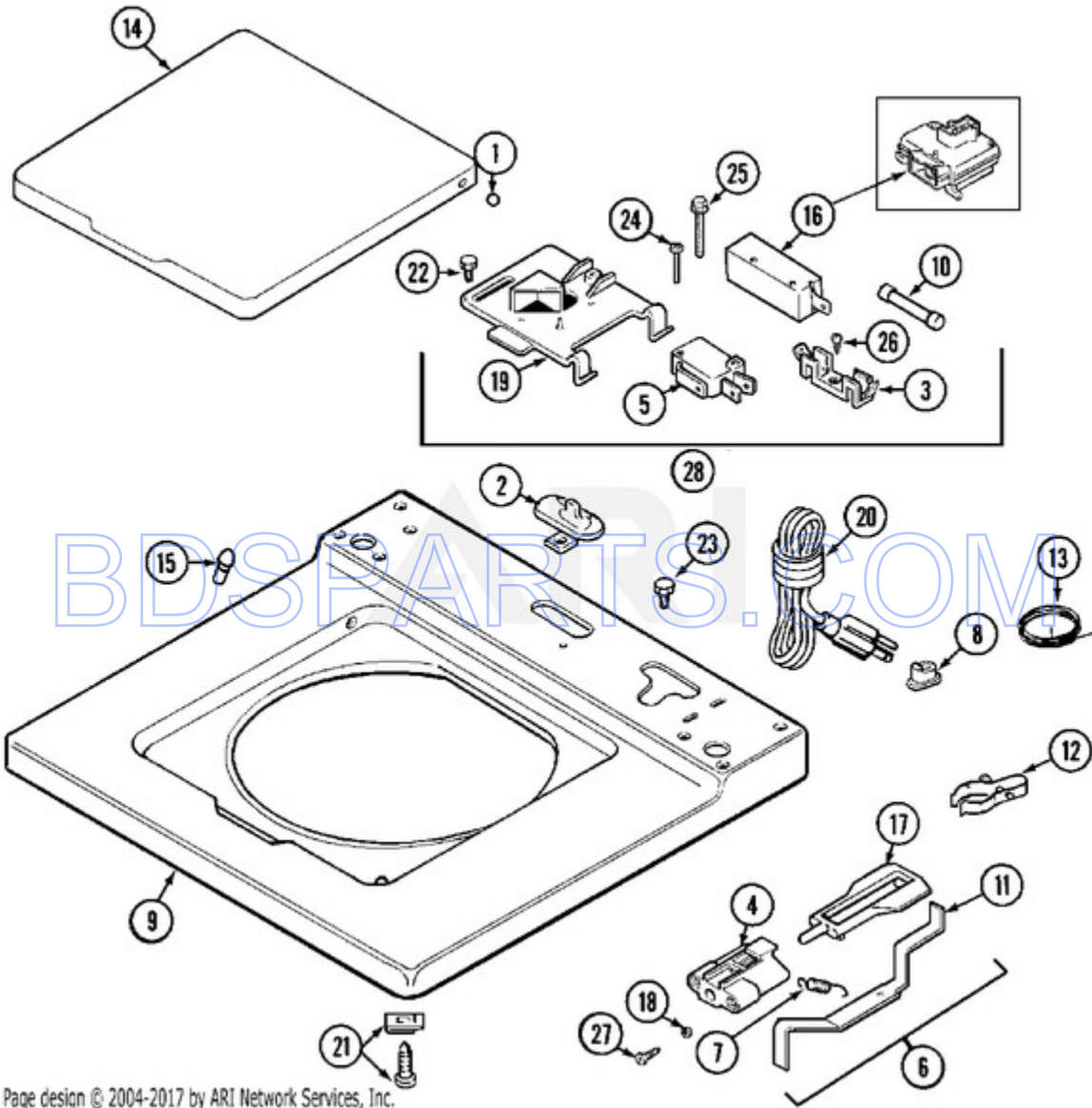


Ref #	Part #	Description	Qty	Context	Note	MSRP
1	22001890	PANEL, CONTROL (W/LENS)	1	Series	10	
1	22001949	PANEL, CONTROL (W/LENS)	-	Series	10	
2	215506	SCREW, CONTROL PANEL	4	Series	10	
3	204807	WIRE, GROUND	1	Series	10	
4	210186	SCREW, GROUND WIRE	1	Series	10	
5	205353	SWITCH, TEMPERATURE	1	Series	10	
6	22001596	PLATE, BACK-UP (WHT)	1	Series	10	
6	22003100	PLATE, BACK-UP (WHT)	1	Series	26	
7	203263	SWITCH, WATER LEVEL	1	Series	10	
8	212942	TUBE, WATER LEVEL SWITCH	1	Series	10	
9	410296	CLAMP, WATER LEVEL TUBE	1	Series	10	
10	22001366	CONSOLE (WHT)	1	Series	10	
10	22003093	CONSOLE (WHT)	1	Series	26	
11	211294	SCREW, CONSOLE	2	Series	10	
11	Y313559	SCREW, CONSOLE	2	Series	10	
12	215003	CLIP, SCREW	2	Series	10	
13	215564	LENS, INDICATOR (AMBER)	5	Series	10	
14	206881	LIGHT, INDICATOR	1	Series	10	
14	206882	LIGHT, INDICATOR	-	Series	10	
15	206894	KNOB, SELECTOR (W/BUMPER)	1	Series	10	
15	215561	BUMPER, KNOB	1	Series	10	
16	Y313588	SCREW, TEMPERATURE SWITCH	2	Series	10	
17	211294	SCREW, WATER LEVEL SWITCH	2	Series	10	
18	22001089	WIRE HARNESS, MAIN	1	Series	10	
18	22001092	WIRE HARNESS, MAIN	-	Series	10	
18	22002221	WIRE HARNESS, MAIN	-	Series	15	
18	22002258	WIRE HARNESS KIT	-	Series	16	
18	22003881	WIRE HARNESS	-	Series	37	
18	NLA	WIRE HARNESS, MAIN	1	Series	15	
18	NLA	WIRE HARNESS KIT----NA	1	Series	37	
19	22001082	TIMER	1	Series	10	
19	22001084	TIMER	-	Series	10	
20	206892	KNOB, TIMER	1	Series	10	
21	314723	CAP, TIMER KNOB	1	Series	10	
22	22001571	SKIRT, TIMER DIAL (BLK)	1	Series	10	
23	211605	RETAINER, TIMER KNOB	1	Series	10	
24	211065	SPRING, TIMER KNOB	1	Series	10	
25	22001885	HOUSING, CONNECTOR (RT)----N	1	Series	10	
26	22001886	HOUSING, CONNECTOR (LT)	1	Series	10	

Ref #	Part #	Description	Qty	Context Note	MSRP
27	216412	SCREW, TIMER	2	Series 10	

BDSPARTS.COM

MAT13MNAAW - 02 - TOP

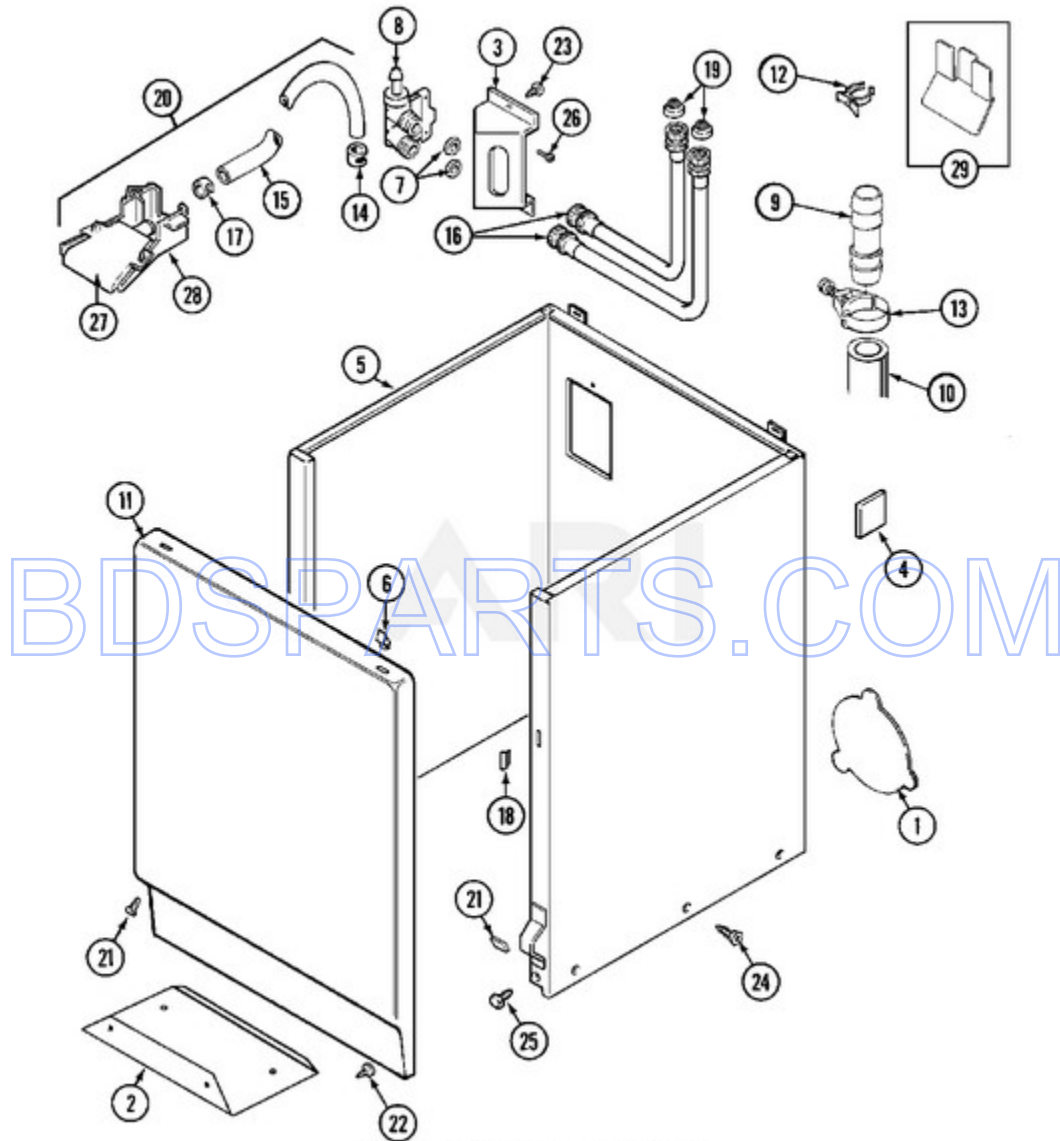


Ref #	Part #	Description	Qty	Context Note	MSRP
1	211726	HINGE, BALL	2	Series 10	
2	207159	SCREW, CAP	1	Series 10	
2	22001298	CAP, TOP COVER	1	Series 10	
3	207167	BLOCK, FUSE	1	Series 10	
4	22002135	BRACKET, UNBALANCE	1	Series 15	
4	NLA	BRACKET, PLUNGER	1	Series 10	
5	207166	SWITCH, CHECK	1	Series 10	
6	22001681	LEVER ASSY. (UNBALANCE)	1	Series 10	
6	22001969	LEVER ASSY. (UNBALANCE)	1	Series 15	
7	213720	SPRING	1	Series 10	
8	211881	GROMMET, CORD	1	Series 10	
8	216183	GROMMET, CORD	-	Series 10	
8	22002532	GROMMET, CORD	-	Series 10	
9	22001679	TOP, MAIN (WHT-NONBLEACH)	1	Series 10	
9	22001892	(WHT-NONBLEACH)	-	Series 10	
9	22001920	FUSE (10A)	-	Series 12	
9	22001921	HOLDER, FUSE	-	Series 12	
10	207168	FUSE	1	Series 10	
11	22001672	LEVER, UNBALANCE	1	Series 10	
11	22001968	LEVER, UNBALANCE	1	Series 15	
12	301548	CLAMP, GROUND (W/SCREW)	1	Series 10	
13	204807	GROUND WIRE, SUPPORT PLATE	1	Series 10	
13	210186	SCREW, GROUND WIRE	1	Series 10	
14	22001597	LID (W/LEGEND-WHT)	-	Series 10	
14	22001893	(W/LEGEND-WHT)	1	Series 10	
15	212716	BUMPER, LID	2	Series 10	
16	205415	SWITCH, LID (W/O TUB LIGHT)	1	Series 10	
16	22001922	SUB-HARNESS	-	Series 12	
16	22001967	SWITCH, LID	1	Series 15	
16	22002383	SWITCH, LID (240 V)	-	Series 15	
17	216255	PLUNGER, LID SWITCH	1	Series 10	
18	211500	WASHER, BRACKER	2	Series 10	
19	22001678	BRACKET, SWITCH & FUSE	1	Series 10	
20	205056	CORD, POWER	1	Series 10	
20	208569	CORD, POWER	-	Series 10	
20	208746	CORD, POWER (EXPORT)	-	Series 15	
20	208749	CORD, POWER (EXPORT)	-	Series 15	
20	22001351	CORD, POWER	-	Series 10	
20	22001549	CORD, POWER	1	Series 15	

Ref #	Part #	Description	Qty	Context Note	MSRP
21	204445	SCREW & FASTENER ASSEMBLY	2	Series 10	
22	207159	SCREW, BRACKET	1	Series 10	
23	210186	SCREW, GROUND WIRE	2	Series 10	
24	22001352	SCREW, CHECK SWITCH	1	Series 10	
25	213501	SCREW, LID SWITCH	1	Series 10	
26	Y311711	SCREW, FUSE BLOCK	1	Series 10	
27	910182	SCREW, PLUNGER BRACKET	2	Series 10	
28	22001682	SWITCH ASSY., LID W/4AMP FUSE	1	Series 10	

BDSPARTS.COM

MAT13MNAAW - 03 - CABINET



Ref #	Part #	Description	Qty	Context Note	MSRP
1	211294	SCREW, PLATE	2	Series 10	
1	212985	PLATE, ACCESS (W/HOLE)	1	Series 10	
1	NLA	PLATE, ACCESS	1	Series 10	
2	213846	GUARD, BELT	1	Series 10	
3	214812	BRACKET, WATER VALVE	1	Series 10	
3	22003217	SCREW, BRACKET TO CABINET	1	Series 10	
4	215058	PAD, CABINET BUMPER	2	Series 10	
5	22001995	SCREW, V-BRACKET	4	Series 18	
5	22002381	V-BRACKET	2	Series 18	
5	22002382	FASTENER, V-BRACKET	4	Series 18	
5	NLA	CABINET (WHT)	1	Series 10	
6	212982	FASTENER, PANEL	2	Series 10	
7	Y013783	WASHER, INLET HOSE	2	Series 10	
8	214337	SCREEN, VALVE	2	Series 10	
8	22001196	VALVE, WATER	-	Series 10	
8	22001275	VALVE, WATER	1	Series 10	
8	22001276	VALVE, WATER	-	Series 10	
9	Y216015	COUPLING, HOSE	1	Series 10	
10	22001816	HOSE, DRAIN	1	Series 10	
10	22002700	HOSE, DRAIN	1	Series 16	
10	22002701	RETAINER, DRAIN HOSE	1	Series 16	
11	22001803	PANEL, FRONT (WHT)	1	Series 10	
11	33001268	PAD, DOOR	-	Series 10	
12	22001815	CLIP, HOSE	1	Series 10	
13	200461	CLAMP, HOSE	2	Series 10	
14	216169	CLAMP, HOSE	1	Series 10	
15	22001190	HOSE, INJECTOR	1	Series 10	
16	205828	INLET HOSE ASSEMBLY	2	Series 10	
16	208100	INLET HOSE ASSEMBLY	-	Series 10	
17	216170	CLAMP, HOSE	1	Series 10	
18	214376	SPACER, FRONT PANEL	1	Series 10	
19	200961	SCREEN WASHER, INLET HOSE	1	Series 10	
20	22001304	WATER INJECTOR ASSEMBLY	1	Series 10	
21	22001496	SCREW, FRONT PANEL	2	Series 10	
22	211294	SCREW, BELT GUARD	3	Series 10	
23	212276	SCREW, VALVE BRACKET	1	Series 10	
24	213007	SCREW, CABINET	6	Series 10	
25	213121	SCREW, CABINET	3	Series 10	
25	213122	SCREW, CABINET	2	Series 10	

Ref #	Part #	Description	Qty	Context Note	MSRP
26	Y313561	SCREW, WATER VALVE	2	Series 10	
27	22001187	INJECTOR (UPR)	1	Series 10	
28	22001186	INJECTOR (LWR)	1	Series 10	
29	22001972	CLIP, CABINET	1	Series 15	

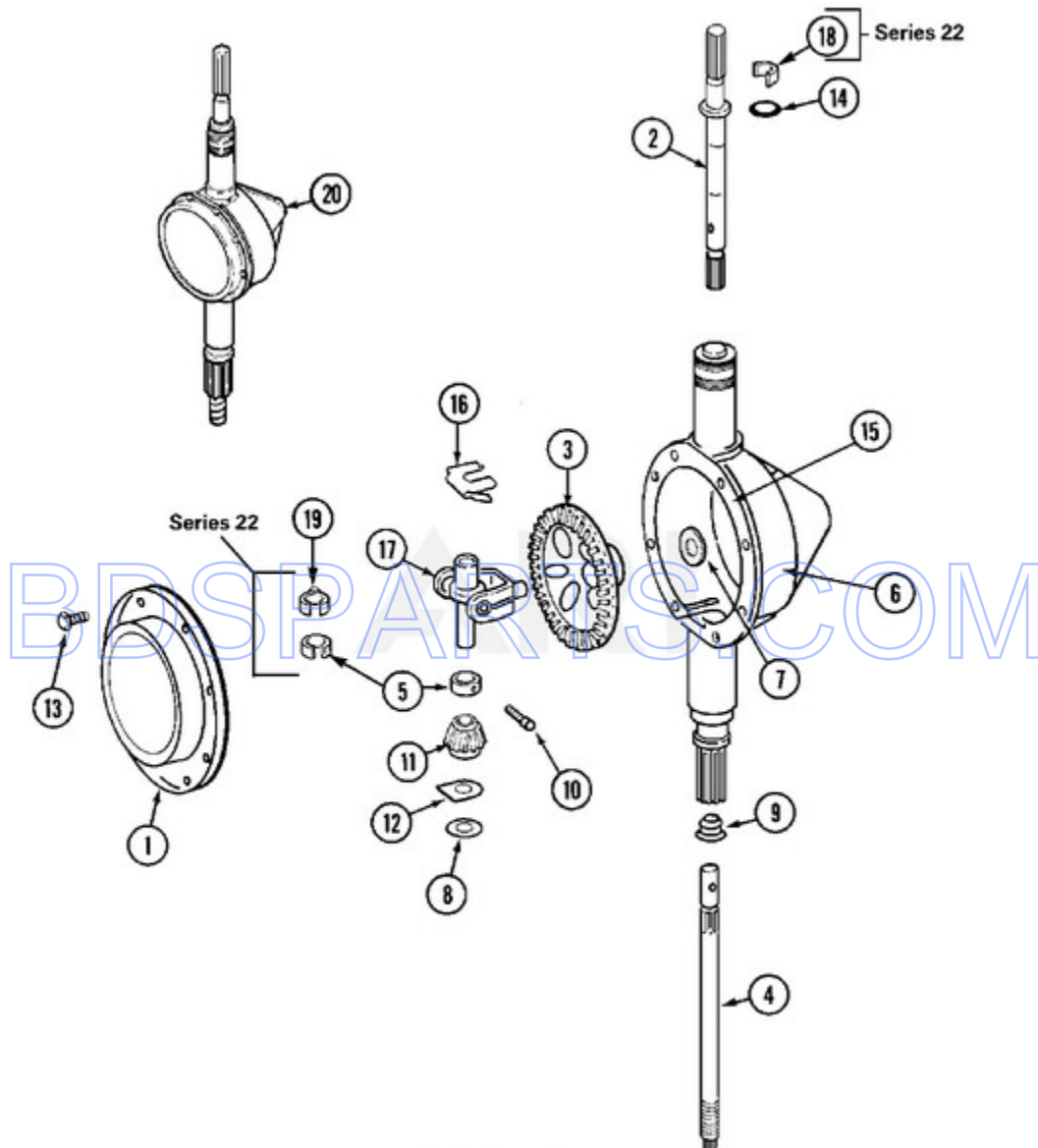
BDSPARTS.COM

Ref #	Part #	Description	Qty	Context	Note	MSRP
1	207228	AGITATOR (W/LOCK SCREW)	1	Series	10	
2	212942	TUBE, WATER LEVEL SWITCH	1	Series	10	
3	211130	LINER, TUB BEARING	1	Series	10	
4	200744	BOLT & GASKET ASSEMBLY (SHORT)	1	Series	10	
4	205254	(LONG)	2	Series	10	
5	22001299	TUB COVER & GASKET ASSEMBLY	1	Series	10	
6	Y22001201	GASKET, TUB COVER	1	Series	10	
7	22001648	MOUNTING STEM AND SEAL KIT	1	Series	10	
8	211641	CLAMP, 1-1/16"	1	Series	10	
9	22001142	RING, BALANCE (W/CONCRETE)	1	Series	10	
10	410296	CLAMP, WATER LEVEL TUBE	1	Series	10	
11	211047	NUT, CLAMPING	1	Series	10	
12	216251	CAP, AGITATOR (WHT)	1	Series	10	
13	211100	WASHER, CUSHION	3	Series	10	
14	215980	PLUG, TUB	2	Series	10	
15	213045	HOSE, OUTER TUB	1	Series	10	
16	201011	CLAMP, HOSE	1	Series	10	
17	206478	SCREW & WASHER ASSEMBLY	1	Series	10	
18	211618	SET SCREW, MOUNTING STEM	1	Series	10	
19	202574	CLAMP, TUB HOSE	1	Series	10	
20	211210	WASHER, CLAMPING NUT	1	Series	10	
21	200824	BEARING, TUB	1	Series	10	
22	204013	TUB BEARING REPAIR KIT	1	Series	10	
23	22001139	TUB, INNER	1	Series	10	
24	22003604	TUB, OUTER	1	Series	10	
25	Y015667	RETAINING RING	1	Series	10	
26	Y054867	WASHER, LOCK	3	Series	10	
27	Y015666	WASHER, RETAINING	1	Series	10	
28	214725	CAP, BLEACH SPOUT	1	Series	10	
29	214739	CLAMP, HOSE	1	Series	10	

Ref #	Part #	Description	Qty	Context	Note	MSRP
1	Y302699	LEG, ADJUSTABLE (W/NUT)---S	4	Series	10	
2	22001172	BASE (W/DAMPER PADS)	1	Series	10	
3	Y015627	SCREW, HEX HD CAP 5/16 X 5/8	6	Series	10	
4	200744	BOLT & GASKET ASSEMBLY (SHORT)	1	Series	10	
4	205254	(LONG)	2	Series	10	
5	213053	BRACE, TUB	3	Series	10	
6	22001300	SPRING, CENTERING	3	Series	10	
7	203725	DAMPER W/BOLT & CLIP	1	Series	10	
8	203956	DAMPER PAD KIT (W/POLY LUBE)	1	Series	10	
9	213073	WASHER, DOUBLE	3	Series	10	
10	22001816	HOSE, DRAIN	1	Series	10	
11	216416	BOLT, EYE/CENTERING SPRING	3	Series	10	
12	901220	WIRE, GROUND	1	Series	10	
13	213045	HOSE, OUTER TUB	1	Series	10	
14	Y22001820	CLAMP, HOSE	1	Series	10	
15	22001640	CLAMP, HOSE	1	Series	10	
16	Y311426	NUT, MOTOR BASE	3	Series	10	
17	22001301	PLATE, MOTOR MOUNT (LWR)	1	Series	10	
18	200816	PULLEY, MOTOR (W/SET SCREW)	1	Series	10	
18	Y202496	PULLEY, MOTOR (W/SET SCREW)	-	Series	10	
19	201805	MOTOR (ONE SPEED)	1	Series	10	
19	202157	MOTOR (ONE SPEED - EXPORT)	-	Series	10	
20	211028	DEFLECTOR, WATER	1	Series	10	
21	911852	WASHER, LOCK	6	Series	10	
22	205131	SWITCH, MOTOR EXTERNAL START (PROD. No. 207424-2)	1	Series	10	
22	205132	SWITCH, MOTOR EXTERNAL START (PROD. No. 201664-14, 205463-4)	1	Series	10	
22	206505	PROD. No. 201664-15 & 205463-3				
22	NLA	SWITCH, MOTOR EXTERNAL START	1	Series	10	
23	215098	SHIELD, MOTOR	1	Series	10	
24	Y052734	NUT, BRACE (TUB)	3	Series	10	
25	Y052785	NUT, BRACE (DAMPER)	6	Series	10	
26	210385	NUT, LOCK	4	Series	10	
27	211949	NUT, EYEBOLT	3	Series	10	
28	202203	PUMP AS PAK	1	Series	10	
29	Y204998	GLIDE KIT (4 W/POLY LUBE)	1	Series	10	
30	212979	WASHER, TUB BRACE	3	Series	10	
31	210684	FOOT, RUBBER	4	Series	10	
32	Y015408	SCREW, BEARING INSERT	1	Series	10	

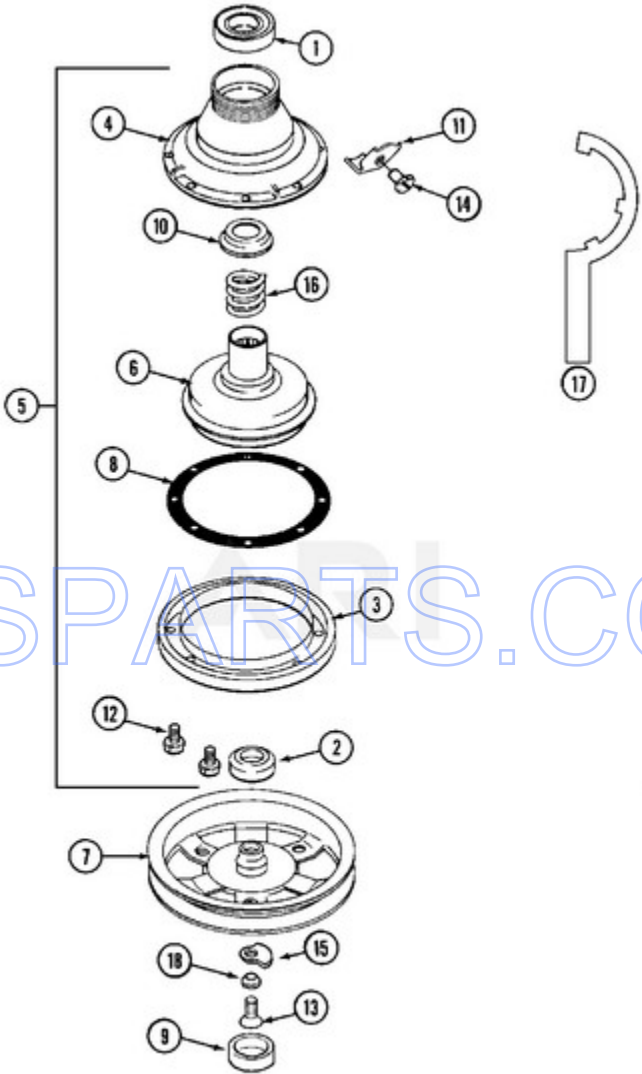
Ref #	Part #	Description	Qty	Context	Note	MSRP
33	210186	SCREW, GROUND WIRE	1		Series 10	
34	211880	SCREW, PUMP	3		Series 10	
35	213121	SCREW, MOTOR SHIELD	1		Series 10	
36	22001353	SET SCREW, MOTOR PULLEY	-		Series 10	
36	Y053241	SET SCREW, MOTOR PULLEY	1		Series 10	
37	205000	GLIDE & SPRING KIT	1		Series 10	
38	214956	PLATE, MOTOR MOUNT (UPPER)	1		Series 10	
39	Y054867	WASHER, LOCK	3		Series 10	
40	211100	WASHER, CUSHION	3		Series 10	
41	201101	CAPACITOR	-		Series 10	
42	211149	CLIP, CAPACITOR	-		Series 10	
43	211294	SCREW, CAPACITOR CLIP	-		Series 10	
44	211124	V BELT, PUMP	1		Series 10	
44	211451	(EXPORT)	-		Series 10	
45	211125	V BELT, DRIVE PULLEY	1		Series 10	
45	211948	(EXPORT)	-		Series 10	

MAT13MNAAW - 06 - TRANSMISSION



Ref #	Part #	Description	Qty	Context	Note	MSRP
1	206628	COVER, TRANSMISSION	1	Series	10	
2	207153	SHAFT, AGITATOR (W/SPRING)	1	Series	10	
2	22002415	SHAFT, AGITATOR	1	Series	22	
3	206713	GEAR, BEVEL	1	Series	10	
4	215410	SHAFT, CENTER	1	Series	10	
4	22002342	SHAFT, CENTER (DEEP TUB)	1	Series	22	
5	215415	COLLAR, LOWER	1	Series	10	
5	22002353	COLLAR, CENTER SHAFT	1	Series	22	
6	206624	HOUSING, TRANSMISSION	1	Series	10	
6	22002416	ASSEMBLY, CASE CASTING DEEP	1	Series	22	
6	Y056080	TRANS LUBE (AUTO, 34 OZ.)	1	Series	10	
7	215394	WASHER, BEVEL GEAR	1	Series	10	
8	211483	WASHER, SPLINED	1	Series	10	
9	206602	SEAL, LIP (CENTER SHAFT)	1	Series	10	
10	W10124350	NOT REQUIRED PART OR SEE NOTE	-	Series	22	
10	Y206629	PIN, COLLAR	1	Series	10	
11	215401	PINION	1	Series	10	
12	215395	PLATE, CLUTCH	1	Series	10	
13	215417	SCREW, TRANSMISSION COVER	8	Series	10	
14	210690	SEAL, RUBBER	1	Series	10	
14	22002417	O-RING AGITATOR SHAFT	1	Series	22	
15	Y058700	SILASTIC, ADHESIVE SEALANT	1	Series	10	
16	215581	SPRING, AGITATOR SHAFT	1	Series	10	
16	W10124350	NOT REQUIRED PART OR SEE NOTE	-	Series	22	
17	206685	BLOCK, TORQUE AND YOKE ASSEMBL	1	Series	10	
18	22002340	COLLAR, AGITATOR SHAFT	1	Series	22	
19	22002341	COLLAR, LOWER PLASTIC KEEPER	1	Series	22	
20	206707	TRANSMISSION (COMPLETE)	1	Series	10	
20	22002126	TRANS (DEEP TUB, COMPLETE)	1	Series	22	

MAT13MNAAW - 07 - CLUTCH, BRAKE & BELTS



Ref #	Part #	Description	Qty	Note
1	Y200720	BALL BEARING, RADIAL----S	1	Series 10
2	200835	BEARING, BRAKE ROTOR	1	Series 10
3	211043	DRUM, BRAKE	1	Series 10
4	211045	HOUSING, BRAKE	1	Series 10
5	201190	PACKAGE, BRAKE	1	Series 10
6	201126	ROTOR, BRAKE (W/FACING)	1	Series 10
7	211059	PULLEY, DRIVE	1	Series 10
7	22001441	PULLEY, DRIVE (EXPORT)	-	Series 10
7	22002431	PULLEY ASSEMBLY	1	Series 23
7	22002432	PULLEY ASSEMBLY (EXPORT)	-	Series 23
8	211042	GASKET, BRAKE DRUM	1	Series 10
9	22002428	COVER, DUST (PLASTIC)	1	Series 23
9	NLA	CAP, OIL RETAINER	1	Series 10
10	211039	RETAINER, BRAKE SPRING	1	Series 10
11	213325	CLIP, RETAINER	1	Series 10
12	211000	SCREW, DRUM BRAKE (HEX HD)	8	Series 10
13	211375	SCREW, DRIVE LUG	1	Series 10
14	213326	BOLT, RETAINING CLIP	1	Series 10
15	211089	LUG, STOP	1	Series 10
16	211041	SPRING, BRAKE	1	Series 10
17	Y038315	TOOL, BRAKE PACKAGE ASSEMBLY	1	Series 10
18	211090	WASHER, LOCK	1	Series 10