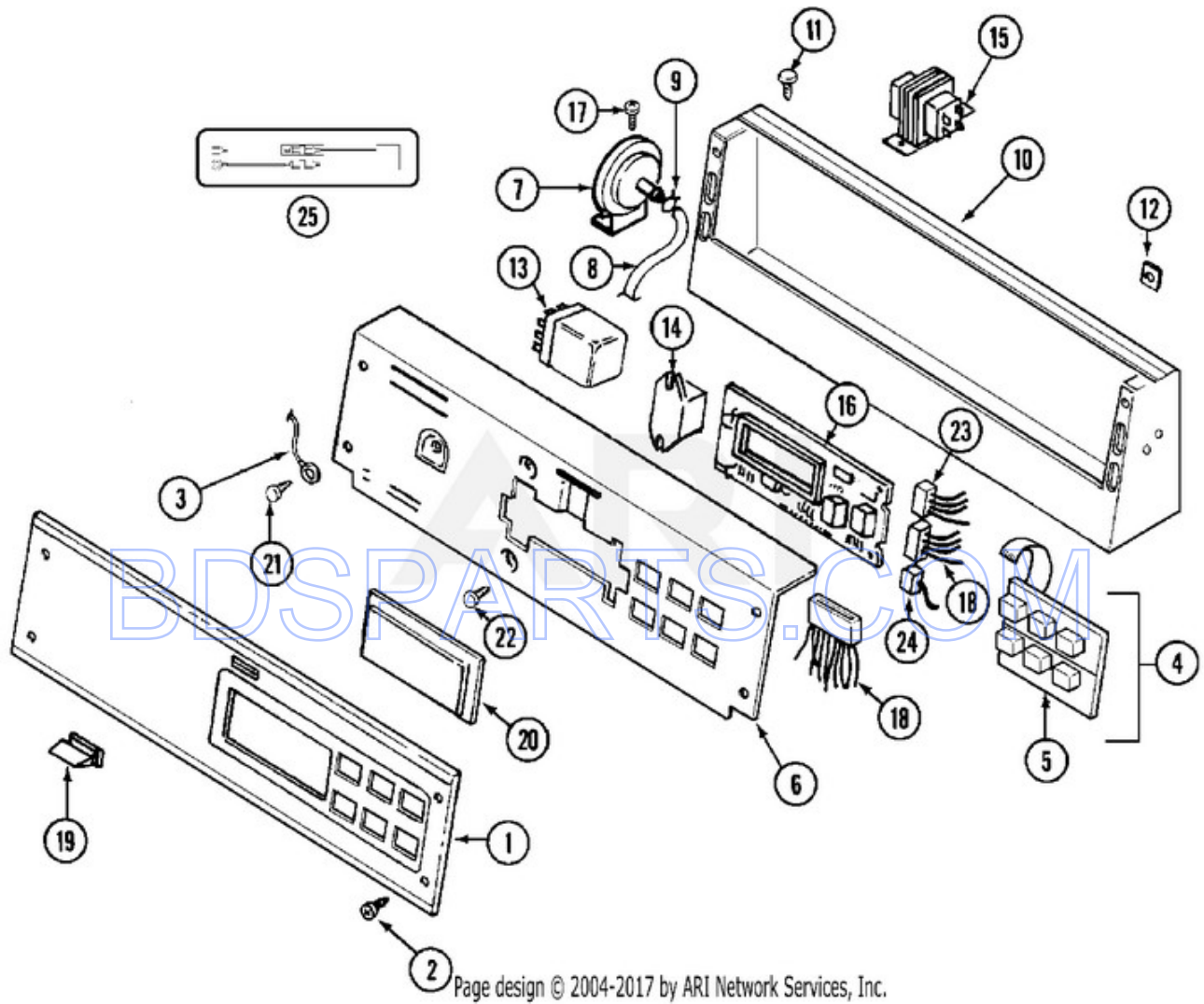
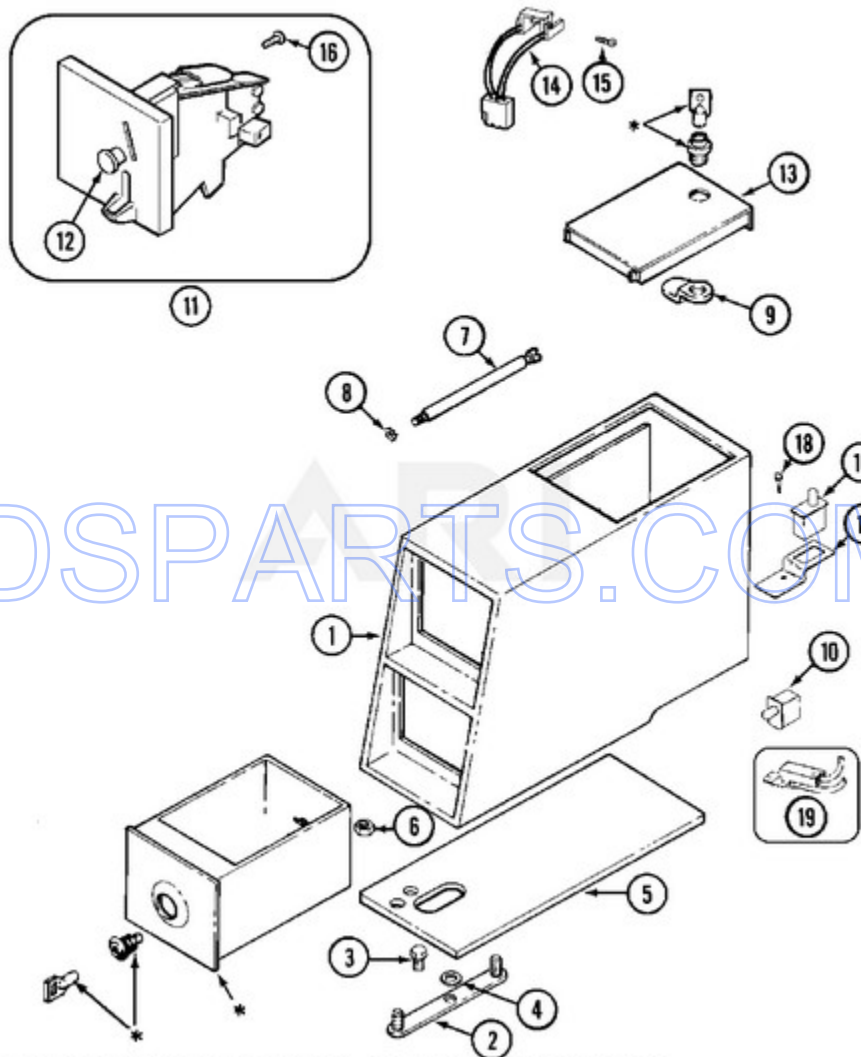


MAT13PDAAW - 01 - CONTROL PANEL



Ref #	Part #	Description	Qty
1	22001865	PANEL, CONTROL----S	1
2	215506	SCREW, CONTROL PANEL	4
3	NLA	WIRE, GROUND	1
4	206808	CONTROL SWITCH ASSEMBLY	1
4	215527	SCREW, SWITCH	2
5	215517	PUSHBUTTON, CONTROL SWITCH	2
6	22001513	BRACKET, BACK (WHT)	1
7	203263	SWITCH, WATER LEVEL	1
8	212942	TUBE, WATER LEVEL SWITCH	1
9	410296	CLAMP, WATER LEVEL TUBE	1
10	206780	CONSOLE (WHT)	1
11	212276	SCREW, CONSOLE	2
12	215003	CLIP, SCREW	2
13	206421	RELAY, REVERSING (DPDT)	1
14	206824	RELAY, MOTOR (SPST)	1
14	22001866	SCREW, RELAY	1
15	207766	TRANSFORMER (STEP-DOWN)	1
15	211294	SCREW	1
15	Y313559	SCREW	1
16	22001511	DEFLECTOR, WATER (W/ADHESIVE)	1
16	912077	LOCKNUT, CONTROL BOARD	4
16	NLA	BOARD, CONTROL	1
16	NLA	KIT, BATTERY & SUPPORT	1
16	Y215513	SPACER, CONTROL BOARD	4
17	211294	SCREW, WATER LEVEL SWITCH	2
18	314531	CONNECTOR, EDGEBOARD	2
18	NLA	WIRE HARNESS, MAIN NLA	1
18	Y312953	TERMINAL, EDGEBOARD	26
19	214610	BUMPER, LID	1
20	33001208	COVER, DISPLAY	1
21	210186	SCREW, GROUND WIRE	1
22	215526	SCREW, CONTROL BOARD	2
23	206799	OPTIC SWITCH ASSEMBLY	1
23	NLA	CONNECTOR, EDGEBOARD----NA	1
24	208045	HARNESS, WIRE (SENSOR SW`S.)	1
24	22001361	CONNECTOR, EDGEBOARD	1
25	NLA	SURGE SUPPRESSOR KIT	1

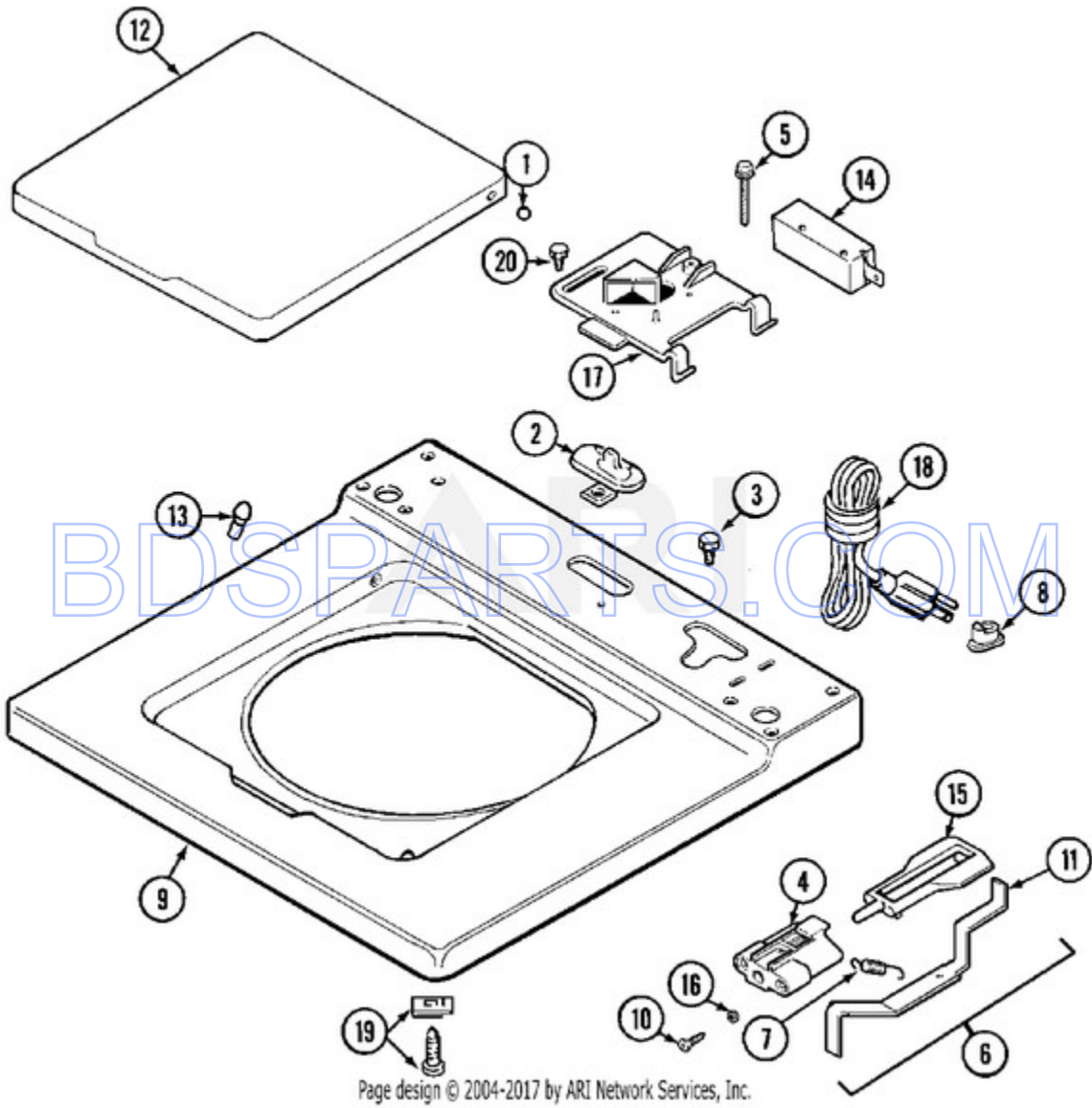
MAT13PDAAW - 02 - CONTROL CENTER



* CONTACT YOUR COMMERCIAL LAUNDRY DISTRIBUTOR
Page design © 2004-2017 by ARI Technik Service, LLC

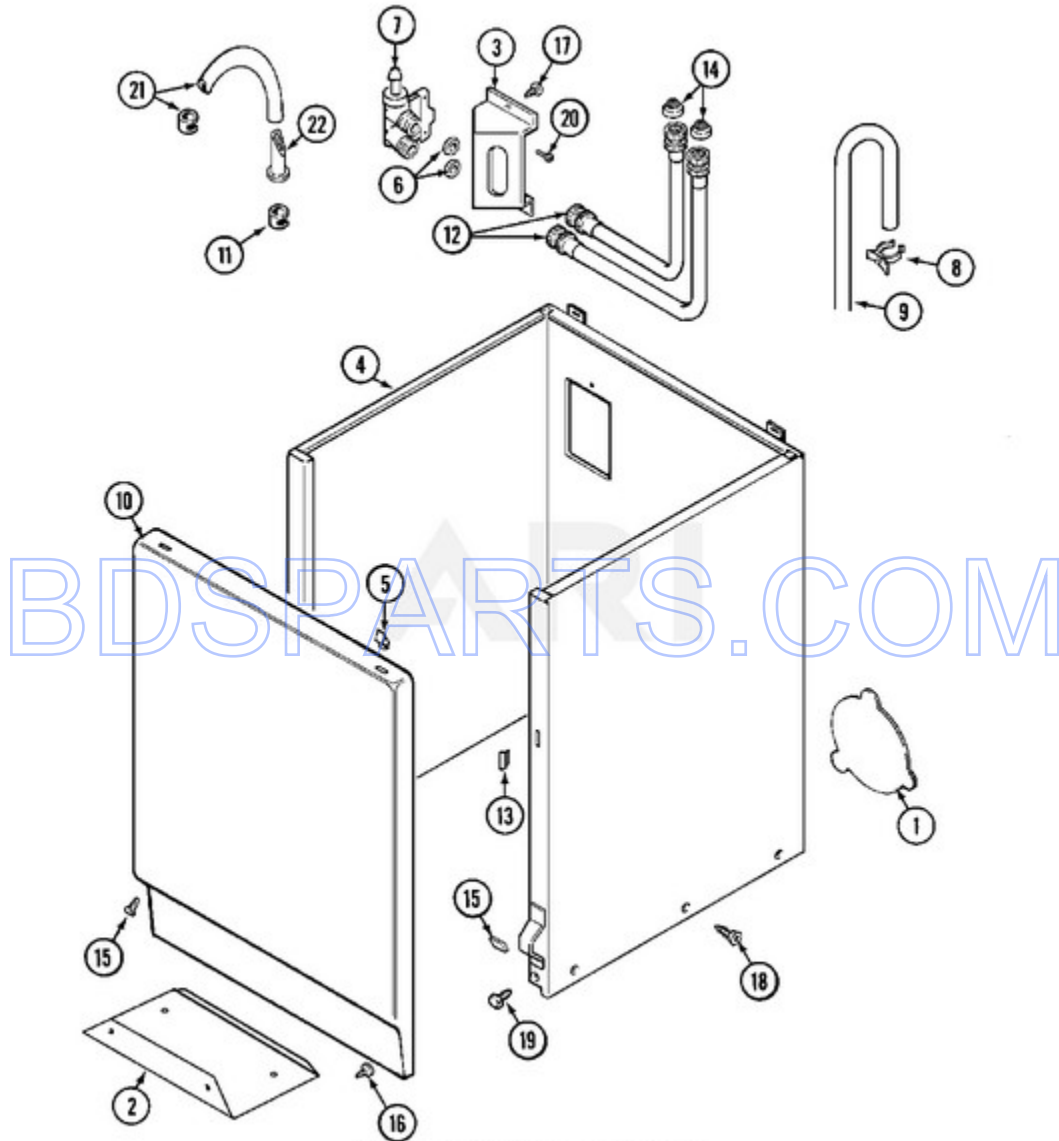
Ref #	Part #	Description	Qty	Context	Note	MSRP
1	22002480	VAULT, COIN (WHT)PD	1	Series	10	
2	22001810	STRAP, MOUNTING	1	Series	10	
3	211294	SCREW, MOUNTING STRAP	1	Series	10	
4	910309	WASHER, STRAP SCREW	1	Series	10	
5	22001870	GASKET, COIN VAULT (WHT)	1	Series	10	
6	Y052740	NUT, CASE MOUNTING	2	Series	10	
7	213035	BOLT, LOCKING	2	Series	10	
8	910181	LOCKWASHER, LOCKING BOLT	2	Series	10	
9	NLA	CAM, LOCKING	1	Series	10	
10	33001250	SWITCH, SENSOR	2	Series	10	
10	912012	SCREW, SENSOR SWITCH	2	Series	10	
11	22001873	DROP ASSY., COIN	1	Series	10	
11	22002144	SINGLE FACEPLATE	1	Series	10	
12	216200	BUTTON, RETURN	1	Series	10	
13	22001910	DOOR, ACCESS (WHT)	1	Series	10	
14	206799	OPTIC SWITCH ASSY. (6 WIRE)	1	Series	10	
15	314665	SCREW, OPTIC SWITCH	1	Series	10	
16	216068	SCREW, COIN DROP	3	Series	10	
17	22001404	BRACKET, SWITCH	1	Series	10	
18	212276	SCREW, SWITCH BRACKET	1	Series	10	
19	208045	HARNESS, WIRE (SENSOR SW)	1	Series	10	

MAT13PDAAW - 03 - TOP



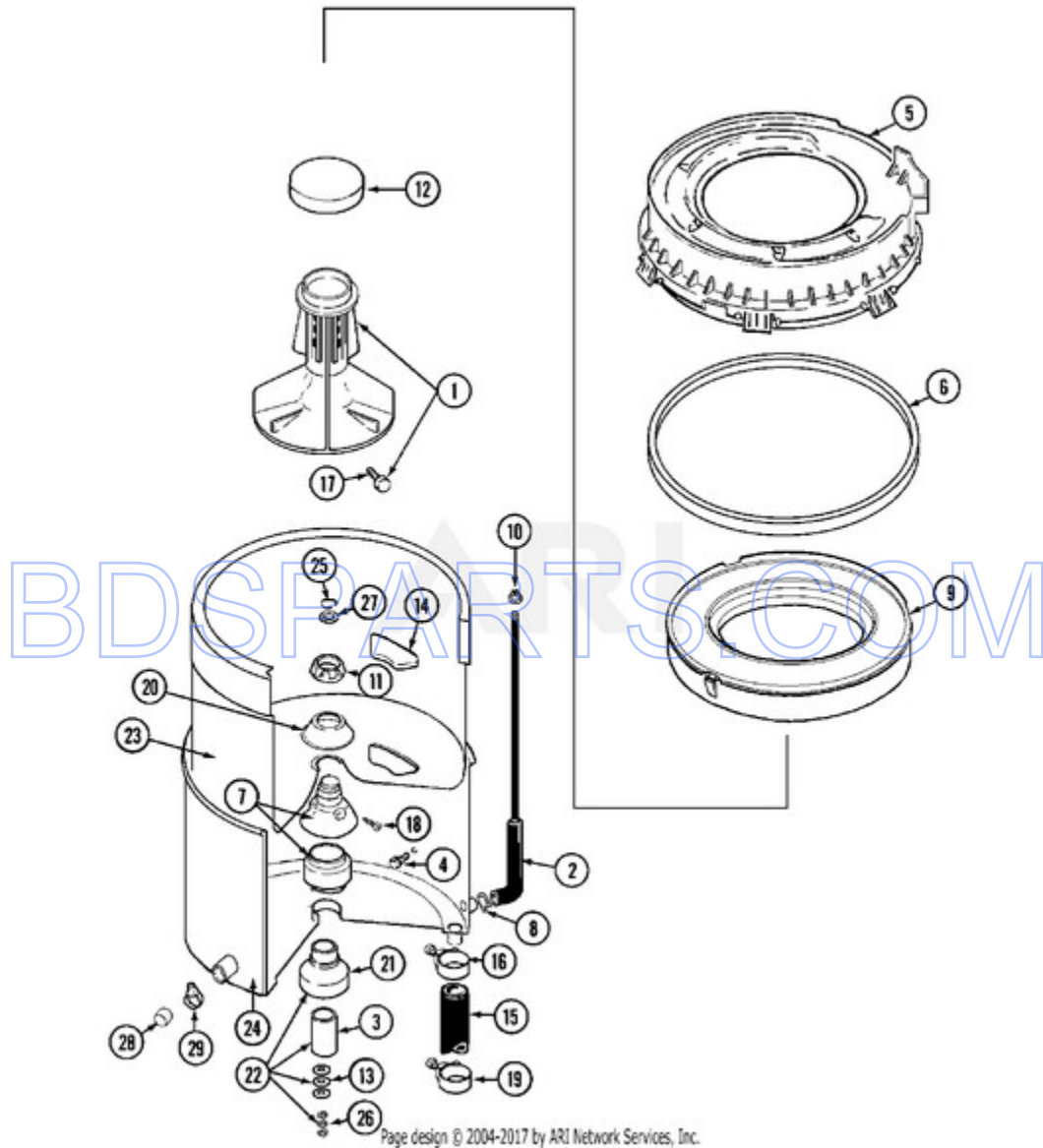
Ref #	Part #	Description	Qty	Note
1	211726	HINGE, BALL	2	Series 10
2	207159	SCREW, CAP	1	Series 10
2	22001298	CAP, TOP COVER	1	Series 10
3	210186	SCREW, GROUND WIRE	1	Series 10
4	NLA	BRACKET, UNBALANCE----NA	1	Series 10
5	213501	SCREW, LID SWITCH	2	Series 10
6	22001681	LEVER ASSY. (UNBALANCE)	1	Series 10
7	213720	SPRING	1	Series 10
8	211881	GROMMET, CORD	1	Series 10
9	22001867	COVER, TOP (WHT)	1	Series 10
10	910182	SCREW, PLUNGER BRACKET	2	Series 10
11	22001672	LEVER, UNBALANCE	1	Series 10
12	22001341	LID W/LEGEND (WHT)	1	Series 10
13	212716	BUMPER, LID	2	Series 10
14	205415	SWITCH, LID (W/O TUB LIGHT)	1	Series 10
15	216255	PLUNGER, LID SWITCH	1	Series 10
16	211500	WASHER, BRACKET	2	Series 10
17	22001678	BRACKET, SWITCH & FUSE	1	Series 10
18	22001642	CORD, POWER	1	Series 10
19	204445	SCREW & FASTENER ASSEMBLY	2	Series 10
20	207159	SCREW, BRACKET	1	Series 10

MAT13PDAAW - 04 - CABINET



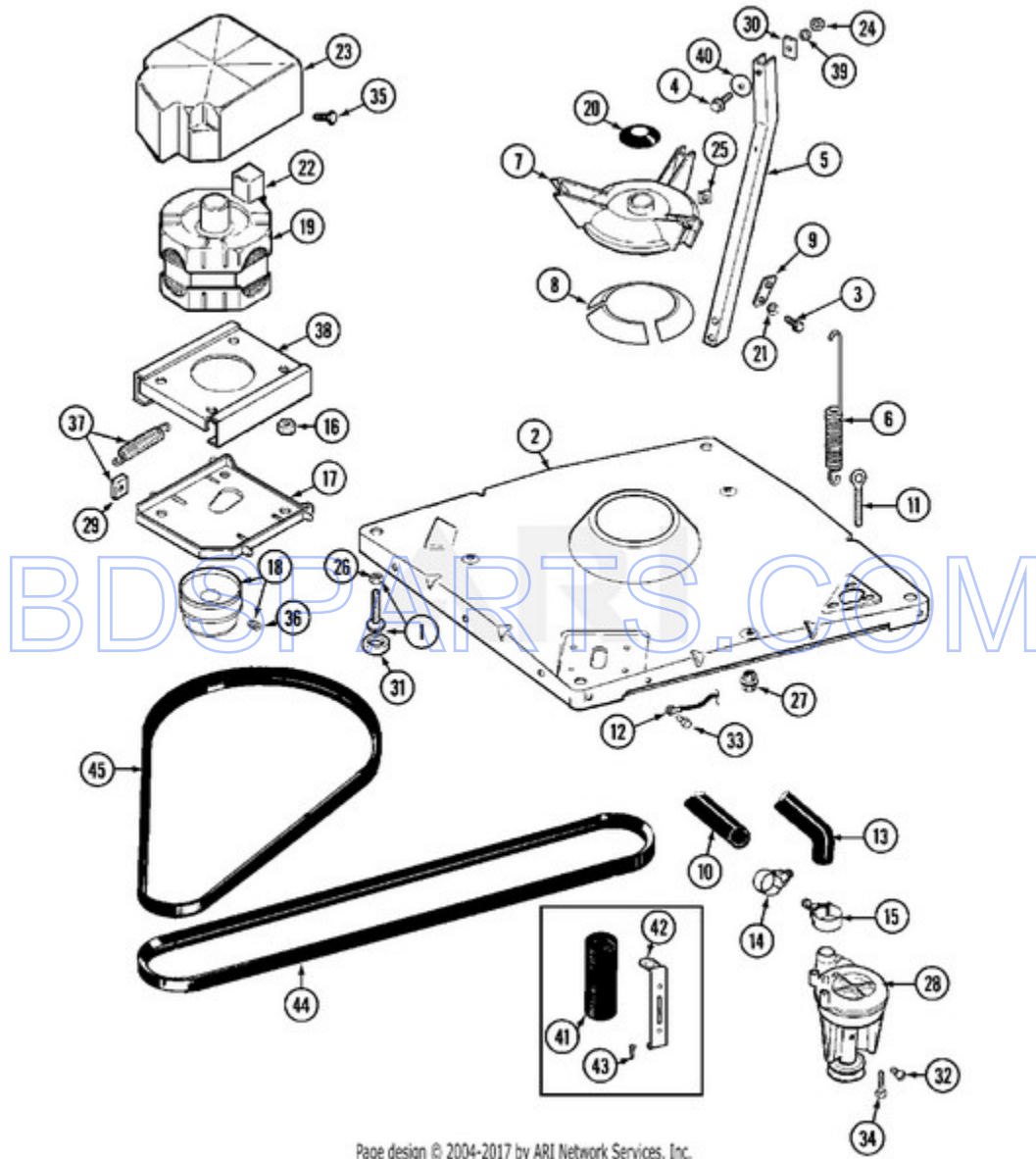
Ref #	Part #	Description	Qty	Context
1	211726	HINGE, BALL	2	Series 10
2	207159	SCREW, CAP	1	Series 10
2	22001298	CAP, TOP COVER	1	Series 10
3	210186	SCREW, GROUND WIRE	1	Series 10
4	NLA	BRACKET, UNBALANCE----NA	1	Series 10
5	213501	SCREW, LID SWITCH	2	Series 10
6	22001681	LEVER ASSY. (UNBALANCE)	1	Series 10
7	213720	SPRING	1	Series 10
8	211881	GROMMET, CORD	1	Series 10
9	22001867	COVER, TOP (WHT)	1	Series 10
10	910182	SCREW, PLUNGER BRACKET	2	Series 10
11	22001672	LEVER, UNBALANCE	1	Series 10
12	22001341	LID W/LEGEND (WHT)	1	Series 10
13	212716	BUMPER, LID	2	Series 10
14	205415	SWITCH, LID (W/O TUB LIGHT)	1	Series 10
15	216255	PLUNGER, LID SWITCH	1	Series 10
16	211500	WASHER, BRACKET	2	Series 10
17	22001678	BRACKET, SWITCH & FUSE	1	Series 10
18	22001642	CORD, POWER	1	Series 10
19	204445	SCREW & FASTENER ASSEMBLY	2	Series 10
20	207159	SCREW, BRACKET	1	Series 10

MAT13PDAAW - 05 - TUB



Ref #	Part #	Description	Qty	Context	Note	MSRP
1	207228	AGITATOR (W/LOCK SCREW)	1	Series	10	
2	212942	TUBE, WATER LEVEL SWITCH	1	Series	10	
3	211130	LINER, TUB BEARING	1	Series	10	
4	200744	BOLT & GASKET ASSEMBLY (SHORT)	1	Series	10	
4	205254	(LONG)	2	Series	10	
5	22001606	COVER ASSY., TUB	1	Series	10	
6	Y22001201	GASKET, TUB COVER	1	Series	10	
7	22001648	MOUNTING STEM AND SEAL KIT	1	Series	10	
8	211641	CLAMP, 1-1/16"	1	Series	10	
9	22001142	RING, BALANCE (W/CONCRETE)	1	Series	10	
10	410296	CLAMP, WATER LEVEL SWITCH TUBE	1	Series	10	
11	211047	NUT, CLAMPING (INNER TUB)	1	Series	10	
12	216251	CAP, AGITATOR (WHT)	1	Series	10	
13	211100	WASHER, CUSHION	3	Series	10	
14	215980	PLUG, TUB	2	Series	10	
15	213045	HOSE, OUTER TUB	1	Series	10	
16	22001640	CLAMP, HOSE	1	Series	10	
17	206478	SCREW & WASHER ASSEMBLY	1	Series	10	
18	22001423	SET SCREW, MOUNTING STEM	1	Series	10	
19	22001640	CLAMP, TUB HOSE	1	Series	10	
20	211210	WASHER, CLAMPING NUT	1	Series	10	
21	200824	BEARING, TUB	1	Series	10	
22	204013	TUB BEARING REPAIR KIT	1	Series	10	
23	22001139	TUB, INNER (EX. LARGE)	1	Series	10	
24	22001114	TUB, OUTER (EX. LARGE)	1	Series	10	
25	Y015667	RETAINING RING	1	Series	10	
26	Y054867	WASHER, LOCK	3	Series	10	
27	Y015666	WASHER, RETAINING	1	Series	10	
28	214739	SPRING HOSE CLAMP	1	Series	10	
29	214725	CAP, BLEACH SPOUT	1	Series	10	

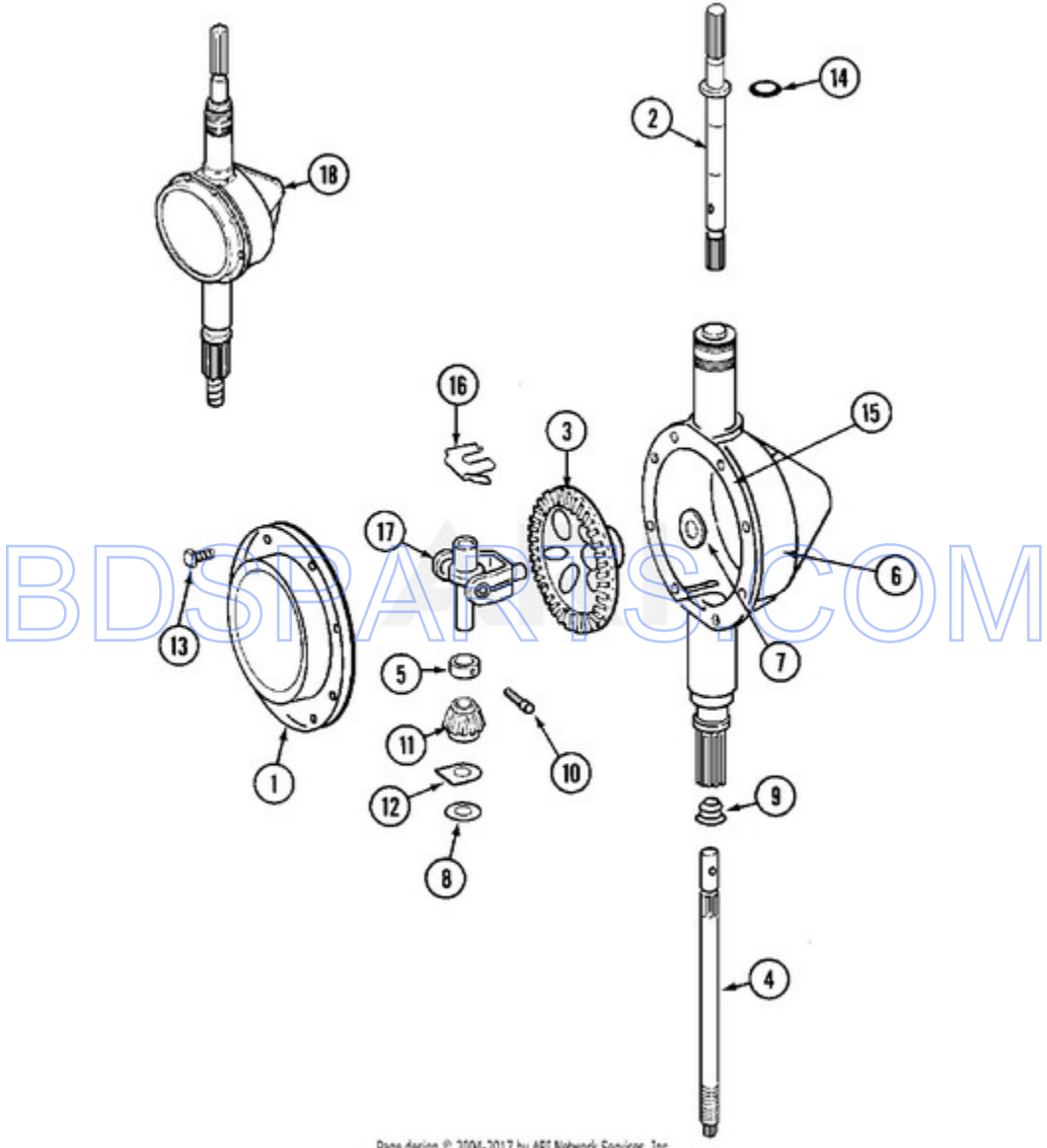
MAT13MNAAW - 05 - BASE



Ref #	Part #	Description	Qty	Context	Note	MSRP
1	Y302699	LEG, ADJUSTABLE (W/NUT)---S	4	Series	10	
2	22001172	BASE (W/DAMPER PADS)	1	Series	10	
3	Y015627	SCREW, HEX HD CAP 5/16 X 5/8	6	Series	10	
4	200744	BOLT & GASKET ASSEMBLY (SHORT)	1	Series	10	
4	205254	(LONG)	2	Series	10	
5	213053	BRACE, TUB	3	Series	10	
6	22001300	SPRING, CENTERING	3	Series	10	
7	203725	DAMPER W/BOLT & CLIP	1	Series	10	
8	203956	DAMPER PAD KIT (W/POLY LUBE)	1	Series	10	
9	213073	WASHER, DOUBLE	3	Series	10	
10	22001816	HOSE, DRAIN	1	Series	10	
11	216416	BOLT, EYE/CENTERING SPRING	3	Series	10	
12	901220	WIRE, GROUND	1	Series	10	
13	213045	HOSE, OUTER TUB	1	Series	10	
14	Y22001820	CLAMP, HOSE	1	Series	10	
15	22001640	CLAMP, HOSE	1	Series	10	
16	Y311426	NUT, MOTOR BASE	3	Series	10	
17	22001301	PLATE, MOTOR MOUNT (LWR)	1	Series	10	
18	200816	PULLEY, MOTOR (W/SET SCREW)	1	Series	10	
18	Y202496	PULLEY, MOTOR (W/SET SCREW)	-	Series	10	
19	201805	MOTOR (ONE SPEED)	1	Series	10	
19	202157	MOTOR (ONE SPEED - EXPORT)	-	Series	10	
20	211028	DEFLECTOR, WATER	1	Series	10	
21	911852	WASHER, LOCK	6	Series	10	
22	205131	SWITCH, MOTOR EXTERNAL START (PROD. No. 207424-2)	1	Series	10	
22	205132	SWITCH, MOTOR EXTERNAL START (PROD. No. 201664-14, 205463-4)	1	Series	10	
22	206505	PROD. No. 201664-15 & 205463-3				
22	NLA	SWITCH, MOTOR EXTERNAL START	1	Series	10	
23	215098	SHIELD, MOTOR	1	Series	10	
24	Y052734	NUT, BRACE (TUB)	3	Series	10	
25	Y052785	NUT, BRACE (DAMPER)	6	Series	10	
26	210385	NUT, LOCK	4	Series	10	
27	211949	NUT, EYEBOLT	3	Series	10	
28	202203	PUMP AS PAK	1	Series	10	
29	Y204998	GLIDE KIT (4 W/POLY LUBE)	1	Series	10	
30	212979	WASHER, TUB BRACE	3	Series	10	
31	210684	FOOT, RUBBER	4	Series	10	
32	Y015408	SCREW, BEARING INSERT	1	Series	10	

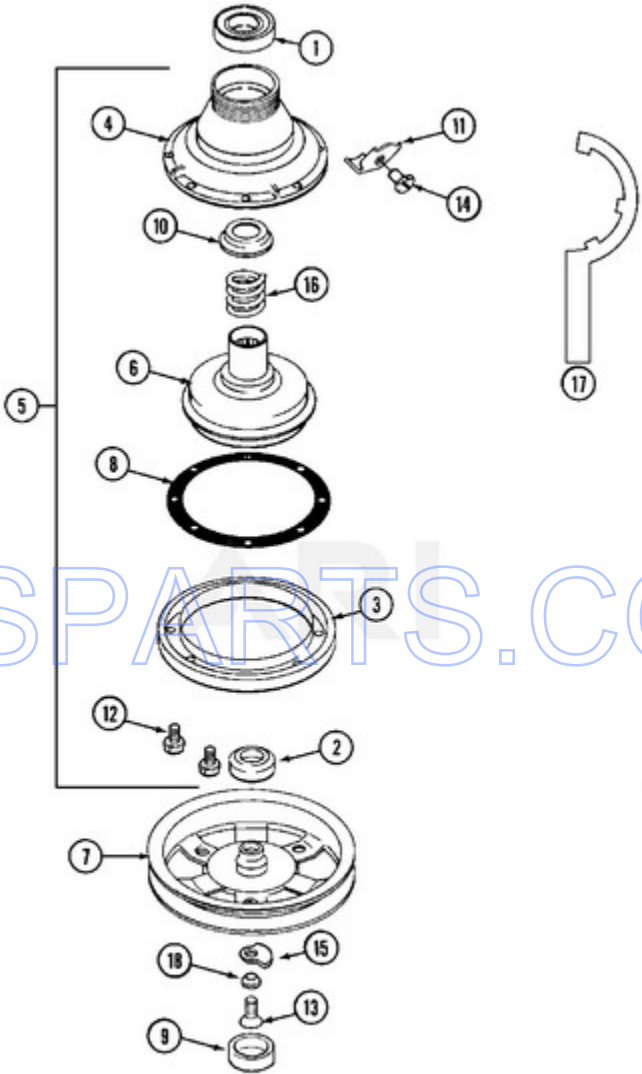
Ref #	Part #	Description	Qty	Context	Note	MSRP
33	210186	SCREW, GROUND WIRE	1		Series 10	
34	211880	SCREW, PUMP	3		Series 10	
35	213121	SCREW, MOTOR SHIELD	1		Series 10	
36	22001353	SET SCREW, MOTOR PULLEY	-		Series 10	
36	Y053241	SET SCREW, MOTOR PULLEY	1		Series 10	
37	205000	GLIDE & SPRING KIT	1		Series 10	
38	214956	PLATE, MOTOR MOUNT (UPPER)	1		Series 10	
39	Y054867	WASHER, LOCK	3		Series 10	
40	211100	WASHER, CUSHION	3		Series 10	
41	201101	CAPACITOR	-		Series 10	
42	211149	CLIP, CAPACITOR	-		Series 10	
43	211294	SCREW, CAPACITOR CLIP	-		Series 10	
44	211124	V BELT, PUMP	1		Series 10	
44	211451	(EXPORT)	-		Series 10	
45	211125	V BELT, DRIVE PULLEY	1		Series 10	
45	211948	(EXPORT)	-		Series 10	

MAT13PDAAW - 07 - TRANSMISSION



Ref #	Part #	Description	Qty	Context	Note	MSRP
1	206628	COVER, TRANSMISSION	1	Series	10	
2	207153	SHAFT, AGITATOR (W/SPRING)	1	Series	10	
3	206713	GEAR, BEVEL	1	Series	10	
4	215410	SHAFT, CENTER	1	Series	10	
5	215415	COLLAR (LWR)	1	Series	10	
6	206624	HOUSING, TRANSMISSION	1	Series	10	
7	215394	WASHER, BEVEL GEAR	1	Series	10	
8	211483	WASHER, SPLINED	1	Series	10	
9	206602	SEAL, LIP (CENTER SHAFT)	1	Series	10	
10	Y206629	PIN, COLLAR	1	Series	10	
11	215401	PINION	1	Series	10	
12	215395	PLATE, CLUTCH	1	Series	10	
13	215417	SCREW, TRANSMISSION COVER	8	Series	10	
14	210690	SEAL, RUBBER	1	Series	10	
15	Y058700	SILASTIC, ADHESIVE SEALANT	1	Series	10	
16	215581	SPRING, AGITATOR SHAFT	1	Series	10	
17	206685	BLOCK, TORQUE AND YOKE ASSEMBL	1	Series	10	
18	206707	TRANSMISSION, ORBITAL	1	Series	10	

MAT13MNAAW - 07 - CLUTCH, BRAKE & BELTS



Ref #	Part #	Description	Qty	Note
1	Y200720	BALL BEARING, RADIAL----S	1	Series 10
2	200835	BEARING, BRAKE ROTOR	1	Series 10
3	211043	DRUM, BRAKE	1	Series 10
4	211045	HOUSING, BRAKE	1	Series 10
5	201190	PACKAGE, BRAKE	1	Series 10
6	201126	ROTOR, BRAKE (W/FACING)	1	Series 10
7	211059	PULLEY, DRIVE	1	Series 10
7	22001441	PULLEY, DRIVE (EXPORT)	-	Series 10
7	22002431	PULLEY ASSEMBLY	1	Series 23
7	22002432	PULLEY ASSEMBLY (EXPORT)	-	Series 23
8	211042	GASKET, BRAKE DRUM	1	Series 10
9	22002428	COVER, DUST (PLASTIC)	1	Series 23
9	NLA	CAP, OIL RETAINER	1	Series 10
10	211039	RETAINER, BRAKE SPRING	1	Series 10
11	213325	CLIP, RETAINER	1	Series 10
12	211000	SCREW, DRUM BRAKE (HEX HD)	8	Series 10
13	211375	SCREW, DRIVE LUG	1	Series 10
14	213326	BOLT, RETAINING CLIP	1	Series 10
15	211089	LUG, STOP	1	Series 10
16	211041	SPRING, BRAKE	1	Series 10
17	Y038315	TOOL, BRAKE PACKAGE ASSEMBLY	1	Series 10
18	211090	WASHER, LOCK	1	Series 10