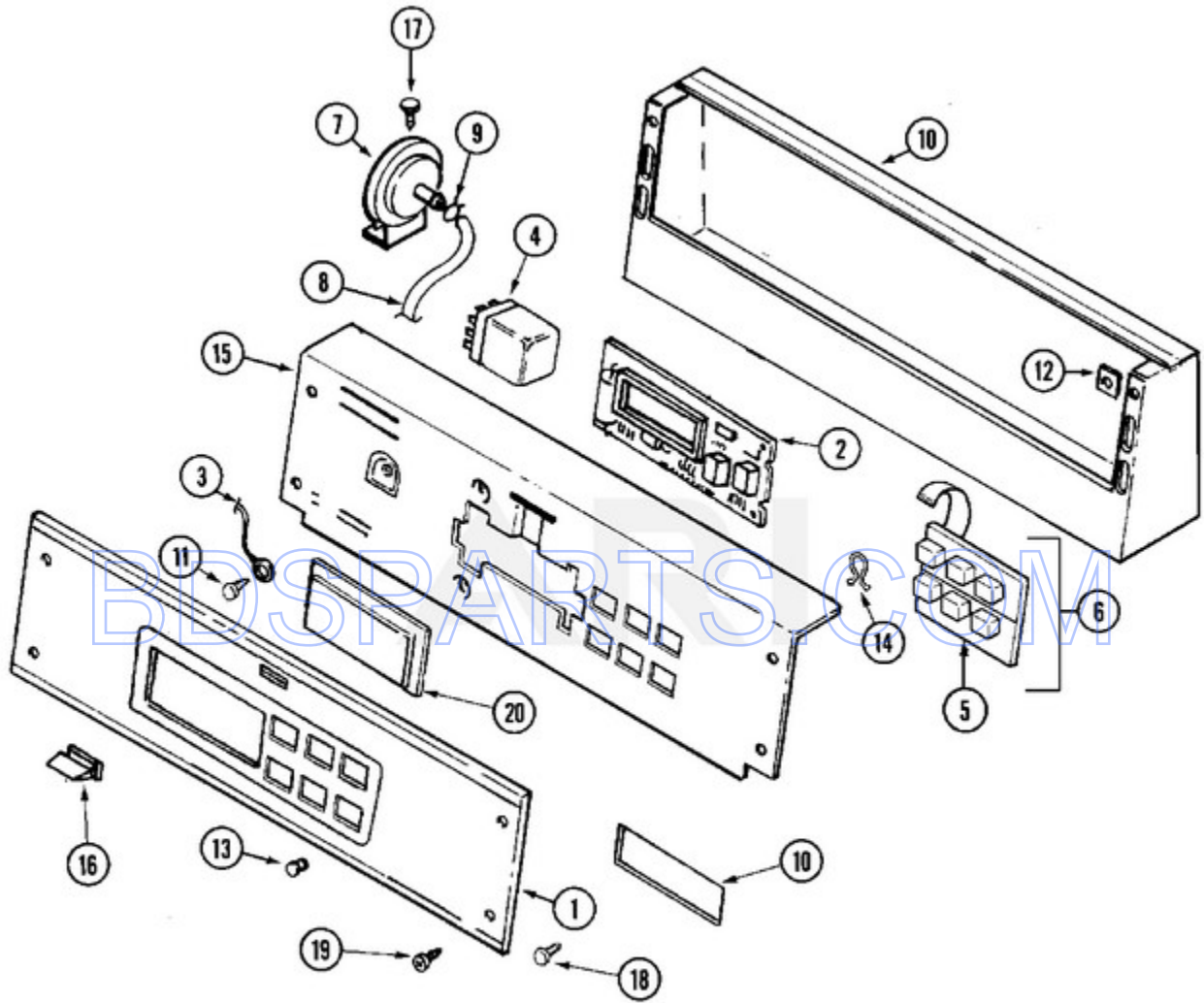
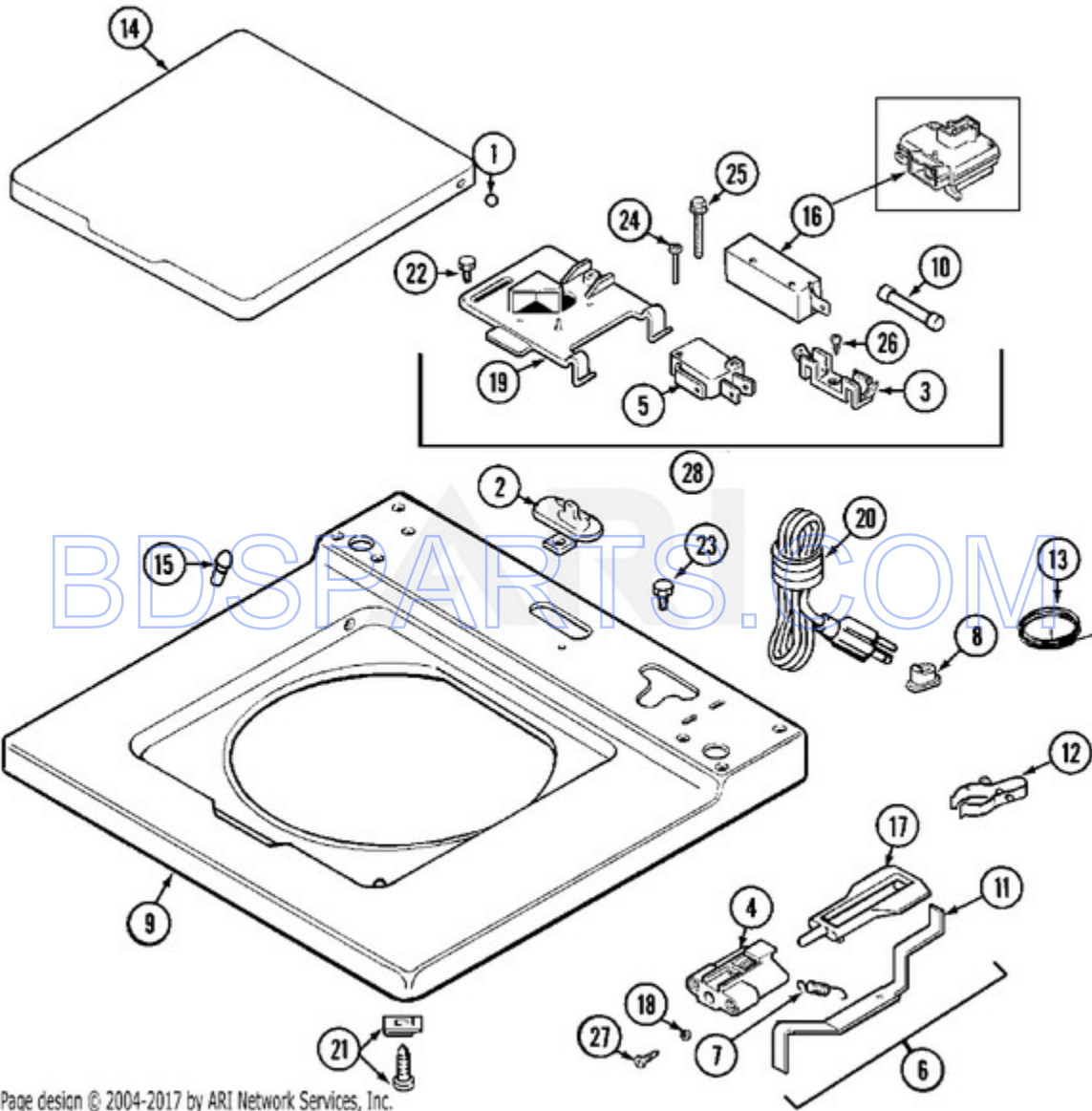


MAT13PRBWW - 01 - CONTROL PANEL



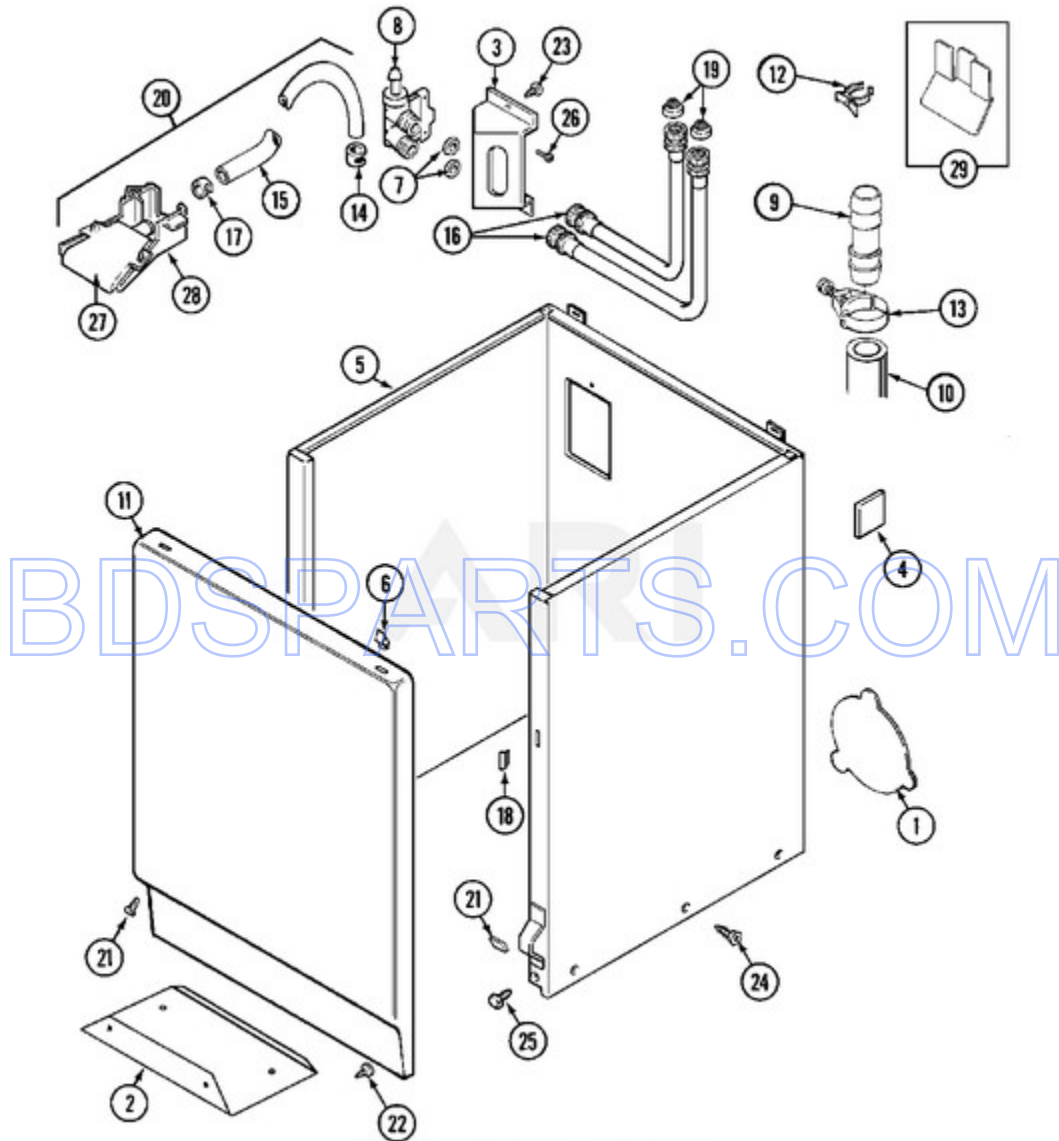
| Ref # | Part # | Description | Qty | Context | Note | MSRP |
|-------|----------|--------------------------------|-----|---------|------|------|
| 1 | 22001949 | PANEL, CONTROL (W/LENS) | 1 | Series | 10 | |
| 1 | 22003662 | CONTROL PANEL ASSEMBLY | - | Series | 10 | |
| 1 | Y313588 | SCREW, CONTROL PANEL (BACK) | 2 | Series | 10 | |
| 2 | 22002731 | BOARD, CONTROL | 1 | Series | 10 | |
| 2 | 22004048 | COMMERCIAL D.C. CONTROL BOARD | - | Series | 40 | |
| 2 | 33001204 | STANDOFF, CIRCUIT BOARD | 2 | Series | 10 | |
| 3 | 901220 | WIRE, GROUND | 1 | Series | 10 | |
| 4 | 206421 | RELAY, MOTOR REVERSING | 4 | Series | 10 | |
| 4 | 22001418 | PLATE, RELAY | - | Series | 10 | |
| 4 | 22001866 | SCREW, RELAY | 2 | Series | 10 | |
| 5 | 215517 | PUSHBUTTON, CONTROL SWITCH | 1 | Series | 10 | |
| 6 | 206808 | CONTROL SWITCH ASSY. | 1 | Series | 10 | |
| 7 | 203263 | SWITCH, WATER LEVEL | 1 | Series | 10 | |
| 8 | 22001619 | TUBE, WATER LEVEL SWITCH | 1 | Series | 10 | |
| 9 | 22003295 | CLAMP, WATER LEVEL TUBE | 1 | Series | 10 | |
| 10 | 22001976 | BEZEL | 1 | Series | 10 | |
| 11 | 210186 | SCREW, GROUND WIRE TO BASE--NA | 1 | Series | 10 | |
| 12 | 215003 | FASTENER, CONTROL PANEL | 3 | Series | 10 | |
| 13 | 215564 | LENS, INDICATOR (AMBER) | 5 | Series | 10 | |
| 14 | 22003298 | RETAINER, WIRE | 1 | Series | 10 | |
| 15 | 22001975 | BRACKET, BACK (WHT) | 1 | Series | 10 | |
| 16 | 214610 | BUMPER, LID | 1 | Series | 10 | |
| 17 | 211294 | SCREW, WATER LEVEL SWITCH | 2 | Series | 10 | |
| 18 | 215506 | SCREW, TORX | 2 | Series | 10 | |
| 19 | 215527 | SCREW, CONTROL PANEL (FRT) | 4 | Series | 10 | |
| 20 | 22001962 | COVER, DISPLAY | 1 | Series | 10 | |
| 21 | 22001973 | HARNESS, PR SERVICE | 1 | Series | 10 | |
| 21 | 33001856 | READER HARNESS KIT (16`) | 1 | Series | 10 | |
| 22 | NLA | INSTALLATION INSTRUCTION | 1 | Series | 10 | |

MAT13PRBWW - 02 - TOP



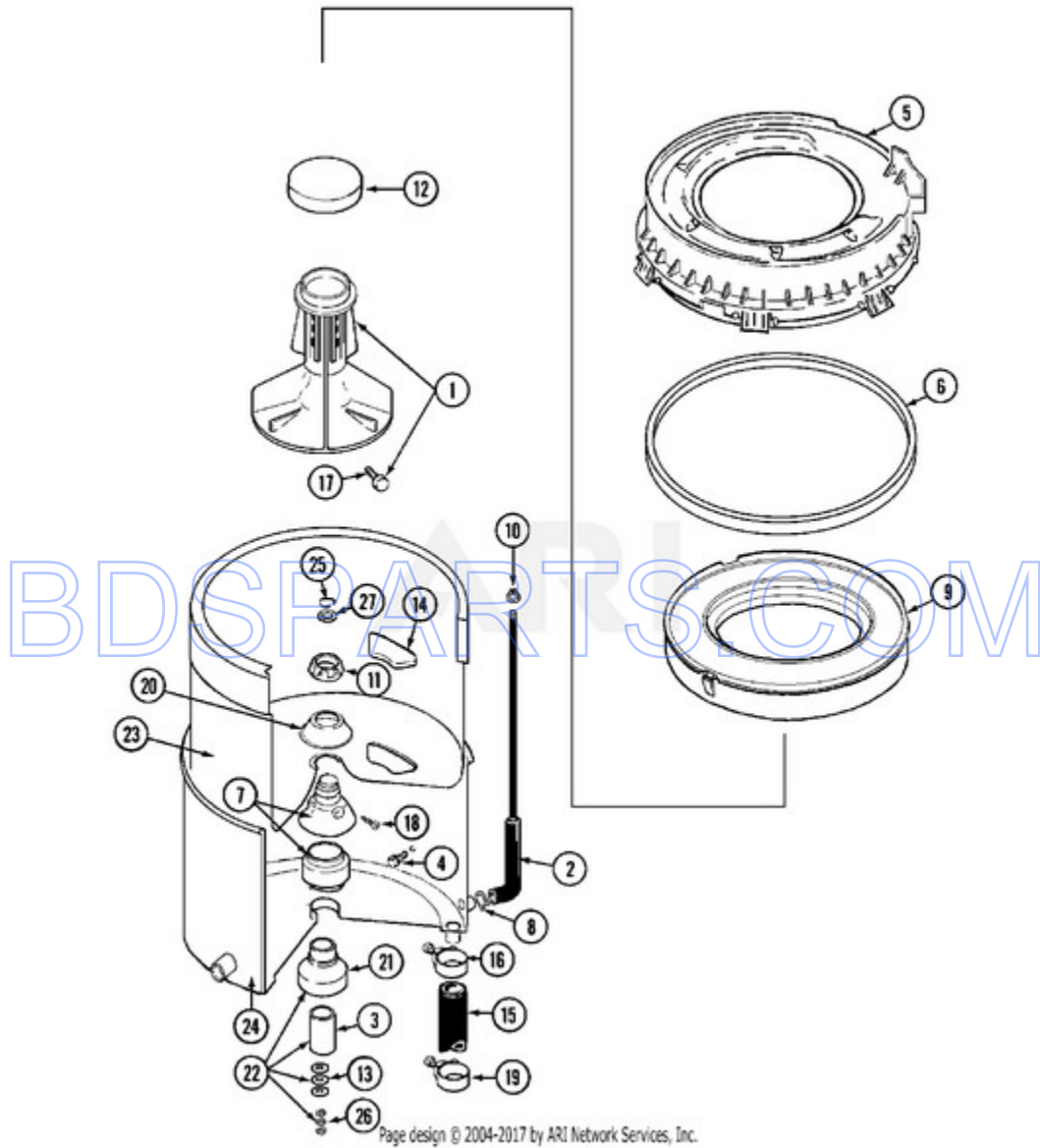
| Ref # | Part # | Description | Qty | Note |
|-------|----------|-------------------------------|-----|-----------|
| 1 | 211726 | HINGE, BALL | 1 | Series 10 |
| 2 | 22001298 | CAP, TOP COVER | 1 | Series 10 |
| 2 | 22002925 | SCREW, CAP | 1 | Series 10 |
| 3 | 207167 | BLOCK, FUSE | 1 | Series 10 |
| 4 | 22001681 | LEVER ASSY. (UNBALANCE) | - | Series 10 |
| 4 | 22002135 | BRACKET, UNBALANCE | 1 | Series 10 |
| 5 | 207166 | SWITCH, CHECK | 1 | Series 10 |
| 6 | 22001969 | LEVER ASSY. (UNBALANCE) | 1 | Series 10 |
| 7 | 213720 | SPRING | 1 | Series 10 |
| 8 | 211881 | GROMMET, CORD | 1 | Series 10 |
| 8 | 216183 | GROMMET, CORD EXPORT | - | Series 10 |
| 9 | 22001679 | TOP, MAIN (WHT-NONBLEACH) | 1 | Series 10 |
| 9 | 22002139 | TRANSFORMER (STEP-DOWN COMM) | 1 | Series 10 |
| 9 | 22002175 | COVER ASSY., TOP (WHT) | - | Series 10 |
| 10 | 207168 | FUSE | 1 | Series 10 |
| 10 | 22001920 | FUSE (10A) | - | Series 10 |
| 10 | 22001921 | HOLDER, FUSE | - | Series 10 |
| 11 | 22001968 | LEVER, UNBALANCE | 1 | Series 10 |
| 12 | 301548 | CLAMP, GROUND (W/SCREW) | 1 | Series 10 |
| 13 | 204807 | GROUND WIRE, SUPPORT PLATE | 1 | Series 10 |
| 13 | 210186 | SCREW, GROUND WIRE | 1 | Series 10 |
| 14 | 22001597 | LID (W/LEGEND-WHT) | - | Series 10 |
| 14 | 22001893 | LID (W/LEGEND-WHT) | 1 | Series 10 |
| 15 | 212716 | BUMPER, LID | 2 | Series 10 |
| 16 | 22001362 | SWITCH, LID | - | Series 10 |
| 16 | 22002152 | WIRE, JUMPER | - | Series 10 |
| 16 | 22003440 | SWITCH, LID (120V) | 1 | Series 10 |
| 17 | 216255 | PLUNGER, LID SWITCH | 1 | Series 10 |
| 18 | 211500 | WASHER, BRACKER | 2 | Series 10 |
| 19 | 22001502 | FASTENER, U-NUT | 1 | Series 10 |
| 20 | 22001549 | CORD, POWER | 1 | Series 10 |
| 20 | NLA | POWER CORD - BRITISH | - | Series 10 |
| 21 | 204445 | SCREW & FASTENER ASSEMBLY | 2 | Series 10 |
| 22 | 207159 | SCREW, BRACKET | 1 | Series 10 |
| 23 | 210186 | SCREW, GROUND WIRE | 2 | Series 10 |
| 24 | 22001352 | SCREW, CHECK SWITCH | 1 | Series 10 |
| 25 | 213501 | SCREW, LID SWITCH | 1 | Series 10 |
| 26 | 22002925 | SCREW | - | Series 10 |
| 26 | Y311711 | SCREW, FUSE BLOCK | 1 | Series 10 |
| 27 | 910182 | SCREW, PLUNGER BRACKET | 2 | Series 10 |
| 28 | 22001678 | BRACKET, SWITCH & FUSE | - | Series 10 |
| 28 | 22001682 | SWITCH ASSY., LID W/4AMP FUSE | 1 | Series 10 |

MAT13PRBWW - 03 - CABINET



| Ref # | Part # | Description | Qty | Context | Note | MSRP |
|-------|----------|---------------------------------|-----|---------|------|------|
| 1 | 211294 | SCREW, PLATE | 2 | Series | 10 | |
| 1 | 212985 | PLATE, ACCESS (W/HOLE) | 1 | Series | 10 | |
| 1 | NLA | PLATE, ACCESS | 1 | Series | 10 | |
| 2 | 213846 | GUARD, BELT | 1 | Series | 10 | |
| 3 | 22002361 | BRACKET, VALVE | 1 | Series | 10 | |
| 4 | 215058 | PAD, CABINET BUMPER | 2 | Series | 10 | |
| 5 | 22001995 | SCREW, V-BRACKET | 4 | Series | 10 | |
| 5 | 22002381 | V-BRACKET | 2 | Series | 10 | |
| 5 | 22002382 | FASTENER, V-BRACKET | 4 | Series | 10 | |
| 5 | NLA | CABINET (WHT) | 1 | Series | 10 | |
| 6 | 22001650 | FASTENER, SPRING | 2 | Series | 10 | |
| 7 | 35-3400 | HOSE, INLET (COLD) | - | Series | 10 | |
| 7 | 353401 | HOSE | - | Series | 10 | |
| 7 | Y013783 | WASHER, INLET HOSE | 2 | Series | 10 | |
| 8 | 214337 | SCREEN, VALVE | 1 | Series | 10 | |
| 8 | 22001275 | VALVE, WATER | 1 | Series | 10 | |
| 9 | Y216015 | COUPLING, HOSE | 1 | Series | 10 | |
| 10 | 22002700 | HOSE, DRAIN | 1 | Series | 10 | |
| 10 | 22002701 | RETAINER, DRAIN HOSE | 1 | Series | 10 | |
| 11 | 22001803 | PANEL, FRONT (WHT) | 1 | Series | 10 | |
| 12 | 22002765 | CLIP, HOSE | 2 | Series | 10 | |
| 13 | 22001640 | CLAMP, HOSE | 2 | Series | 10 | |
| 14 | 22001608 | INJECTOR HOSE & BACKFLOW ASSY. | 1 | Series | 10 | |
| 15 | 22001900 | PREVENTER, BACK FLOW | 1 | Series | 10 | |
| 16 | 205828 | INLET HOSE ASSEMBLY | 2 | Series | 10 | |
| 17 | 22001972 | CLIP, CABINET | 1 | Series | 10 | |
| 18 | 22002331 | SPACER, FRONT PANEL | 1 | Series | 10 | |
| 19 | 200961 | SCREEN WASHER, INLET HOSE | 1 | Series | 10 | |
| 20 | 22001304 | WATER INJECTOR ASSEMBLY | 1 | Series | 10 | |
| 21 | 22001496 | SCREW, FRONT PANEL | 2 | Series | 10 | |
| 22 | 211294 | SCREW, BELT GUARD | 3 | Series | 10 | |
| 23 | 212276 | SCREW, VALVE BRACKET | 1 | Series | 10 | |
| 24 | 213007 | SCREW, CABINET | 6 | Series | 10 | |
| 25 | 213121 | SCREW, CABINET | 3 | Series | 10 | |
| 25 | 213122 | SCREW, CABINET | 2 | Series | 10 | |
| 26 | Y313561 | SCREW, WATER VALVE BRACKET ASSY | 2 | Series | 10 | |
| 27 | 22001187 | INJECTOR (UPR) | 1 | Series | 10 | |
| 28 | 22001186 | INJECTOR (LWR) | 1 | Series | 10 | |
| 29 | 22001792 | SWITCH, PUSHBUTTON (4 POS-ALM) | - | | | |

MAT13PRBWW - 04 - TUB



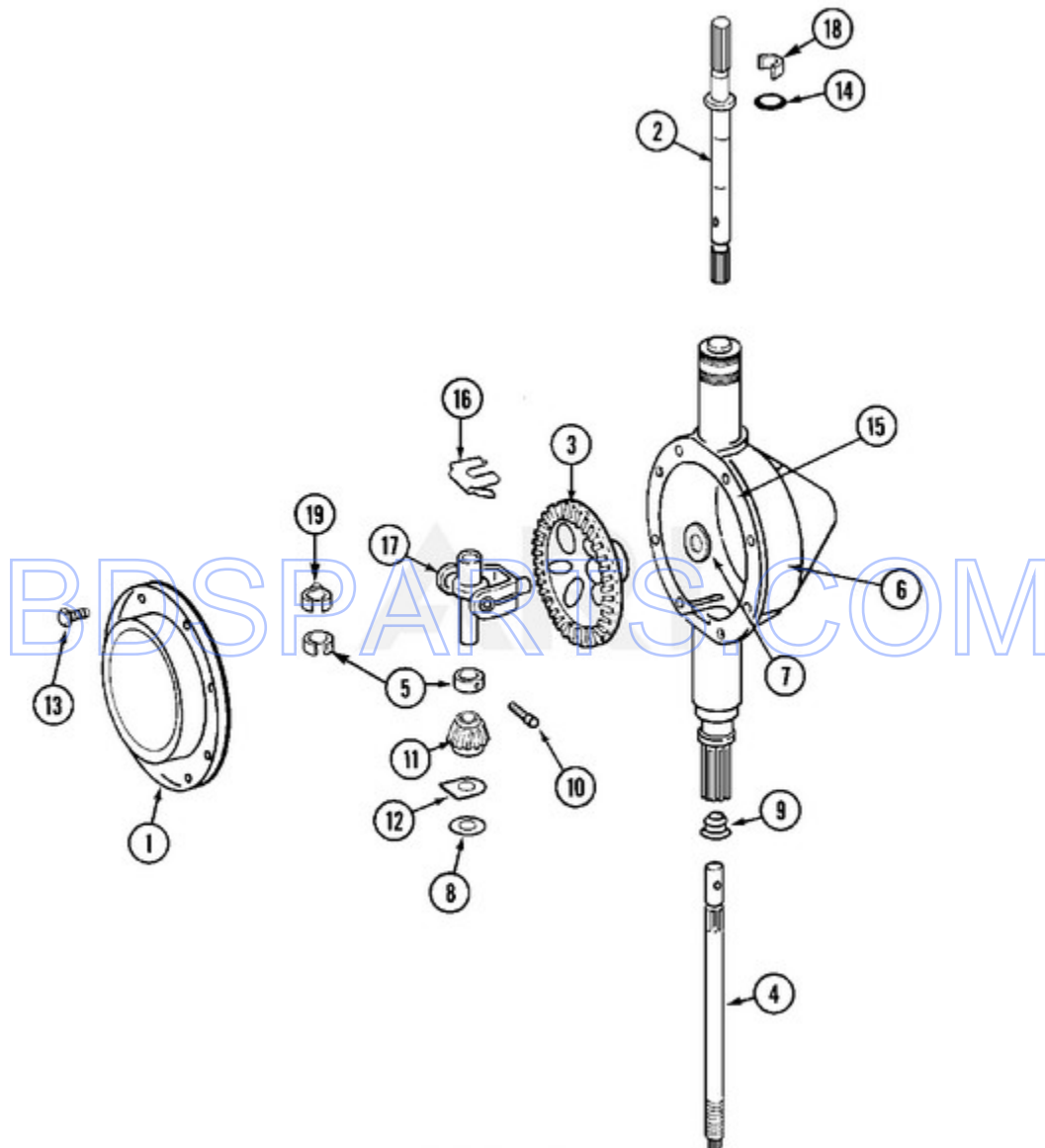
| Ref # | Part # | Description | Qty | Context | Note | MSRP |
|-------|----------|--------------------------------|-----|---------|------|------|
| 1 | 207228 | AGITATOR (W/LOCK SCREW) | 1 | Series | 10 | |
| 1 | 208605 | HOUSING, DISPENSING CUP | - | Series | 10 | |
| 2 | 22001619 | TUBE, WATER LEVEL SWITCH | 1 | Series | 10 | |
| 3 | 211130 | LINER, TUB BEARING | 1 | Series | 10 | |
| 4 | 200744 | BOLT & GASKET ASSEMBLY (SHORT) | 1 | Series | 10 | |
| 4 | 205254 | BOLT & GASKET ASSEMBLY (LONG) | 2 | Series | 10 | |
| 5 | 22001606 | COVER ASSY., TUB | 1 | Series | 10 | |
| 6 | 22001007 | GASKET, COVER TO TUB | 1 | Series | 10 | |
| 7 | 22001648 | MOUNTING STEM AND SEAL KIT | 1 | Series | 10 | |
| 8 | 211641 | CLAMP, 1-1/16" | 1 | Series | 10 | |
| 9 | 22001142 | RING, BALANCE (W/CONCRETE) | 1 | Series | 10 | |
| 10 | 22003295 | CLAMP, WATER LEVEL TUBE | 1 | Series | 10 | |
| 11 | 211047 | NUT, CLAMPING | 1 | Series | 10 | |
| 12 | 214725 | CAP FOR SPOUT-OUTER TUB | - | Series | 10 | |
| 12 | 214739 | SPRING HOSE CLAMP | - | Series | 10 | |
| 12 | 216251 | CAP, AGITATOR (WHT) | 1 | Series | 10 | |
| 12 | 22001294 | CUP, DISPENSING | - | Series | 10 | |
| 12 | 22001295 | HOUSING, DISPENSER | 1 | Series | 38 | |
| 13 | 211100 | WASHER, CUSHION | 3 | Series | 10 | |
| 14 | 215980 | PLUG, TUB | 2 | Series | 10 | |
| 15 | 213045 | HOSE, OUTER TUB | 1 | Series | 10 | |
| 16 | 22001640 | CLAMP, HOSE | 1 | Series | 10 | |
| 17 | 206478 | SCREW & WASHER ASSEMBLY | 1 | Series | 10 | |
| 18 | 211618 | SET SCREW, MOUNTING STEM | 1 | Series | 10 | |
| 19 | 202574 | CLAMP, TUB HOSE | 1 | Series | 10 | |
| 20 | 211210 | WASHER, CLAMPING NUT | 1 | Series | 10 | |
| 21 | 200824 | BEARING, TUB | 1 | Series | 10 | |
| 22 | 204013 | TUB BEARING REPAIR KIT | 1 | Series | 10 | |
| 23 | 22001139 | TUB, INNER (EX. LARGE) | 1 | Series | 10 | |
| 24 | 22003604 | TUB, OUTER | 1 | Series | 10 | |
| 26 | Y054867 | WASHER, RETAINING | 1 | Series | 10 | |

| Ref # | Part # | Description | Qty | Context | Note | MSRP |
|-------|----------|---|-----|---------|------|------|
| 1 | 22003428 | LEG, ADJUSTABLE (W/NUT) | 1 | Series | 10 | |
| 2 | 22002150 | BASE (W/DAMPER PADS) | 1 | Series | 10 | |
| 3 | Y015627 | SCREW, HEX HD CAP 5/16 X 5/8 | 6 | Series | 10 | |
| 4 | 200744 | BOLT & GASKET ASSEMBLY (SHORT) | 1 | Series | 10 | |
| 4 | 205254 | BOLT & GASKET ASSEMBLY (LONG) | 2 | Series | 10 | |
| 5 | 213053 | BRACE, TUB | 3 | Series | 10 | |
| 6 | 22001300 | SPRING, CENTERING | 3 | Series | 10 | |
| 7 | 203725 | DAMPER W/BOLT & CLIP | 1 | Series | 10 | |
| 8 | 203956 | DAMPER PAD KIT (W/POLY LUBE) | 1 | Series | 10 | |
| 9 | 213073 | WASHER, DOUBLE | 3 | Series | 10 | |
| 10 | 22001816 | HOSE, DRAIN | 1 | Series | 10 | |
| 11 | 216416 | BOLT, EYE/CENTERING SPRING | 3 | Series | 10 | |
| 12 | 901220 | WIRE, GROUND | 1 | Series | 10 | |
| 13 | 213045 | HOSE, OUTER TUB | 1 | Series | 10 | |
| 14 | 22001640 | CLAMP, HOSE | 1 | Series | 10 | |
| 15 | 22001640 | CLAMP, HOSE | 1 | Series | 10 | |
| 16 | Y311426 | NUT, MOTOR BASE | 3 | Series | 10 | |
| 17 | 22001301 | PLATE, MOTOR MOUNT (LWR) | 1 | Series | 10 | |
| 18 | 200816 | PULLEY, MOTOR (W/SET SCREW) | 1 | Series | 10 | |
| 18 | Y202496 | PULLEY, MOTOR (W/SET SCREW) | - | Series | 10 | |
| 19 | 201101 | CAPACITOR | - | Series | 10 | |
| 19 | 201805 | MOTOR (ONE SPEED) | 1 | Series | 10 | |
| 19 | 22001396 | CLIP, CAPACITOR | - | Series | 10 | |
| 19 | 22003660 | MOTOR, SINGLE SPEED 50 | - | Series | 10 | |
| 20 | 22001586 | DEFLECTOR, WATER | 1 | Series | 10 | |
| 21 | 911852 | WASHER, LOCK | 6 | Series | 10 | |
| 22 | 205132 | SWITCH, MOTOR EXTERNAL START (PROD. No. 201664-14, 205463-4) | 1 | Series | 10 | |
| 23 | 215098 | SHIELD, MOTOR | 1 | Series | 10 | |
| 24 | Y052734 | NUT, BRACE (TUB) | 3 | Series | 10 | |
| 25 | Y052785 | NUT, BRACE (DAMPER) | 6 | Series | 10 | |
| 26 | NLA | NUT, LOCK | 4 | Series | 10 | |
| 27 | 211949 | NUT, EYEBOLT | 3 | Series | 10 | |
| 28 | 202203 | PUMP, ASSEMBLY | 1 | Series | 10 | |
| 29 | Y204998 | GLIDE KIT (4 W/POLY LUBE) | 1 | Series | 10 | |
| 30 | 212979 | WASHER, TUB BRACE | 3 | Series | 10 | |
| 31 | 210684 | FOOT, RUBBER | 4 | Series | 10 | |
| 32 | 22003235 | SCREW, BEARING INSERT (HEX) | 1 | Series | 10 | |
| 33 | 210186 | SCREW, GROUND WIRE | 1 | Series | 10 | |

| Ref # | Part # | Description | Qty | Context | Note | MSRP |
|--------------|---------------|----------------------------|------------|----------------|-------------|-------------|
| 34 | 211880 | SCREW, PUMP | 3 | Series | 10 | |
| 35 | 213121 | SCREW, MOTOR SHIELD | 1 | Series | 10 | |
| 36 | Y053241 | SET SCREW, MOTOR PULLEY | 1 | Series | 10 | |
| 37 | 205000 | GLIDE & SPRING KIT | 1 | Series | 10 | |
| 38 | 214956 | PLATE, MOTOR MOUNT (UPPER) | 1 | Series | 10 | |
| 39 | Y054867 | WASHER, LOCK | 3 | Series | 10 | |
| 40 | 211100 | WASHER, CUSHION | 3 | Series | 10 | |
| 41 | 201101 | CAPACITOR | - | Series | 10 | |
| 42 | 22001396 | CLIP, CAPACITOR | - | Series | 10 | |
| 43 | 211294 | SCREW | - | Series | 10 | |
| 44 | 211124 | V BELT, PUMP | 1 | Series | 10 | |
| 44 | 211451 | V BELT, PUMP | - | Series | 10 | |
| 45 | 211125 | V BELT, DRIVE PULLEY | 1 | Series | 10 | |
| 45 | 211948 | V BELT, DRIVE PULLEY | - | Series | 10 | |

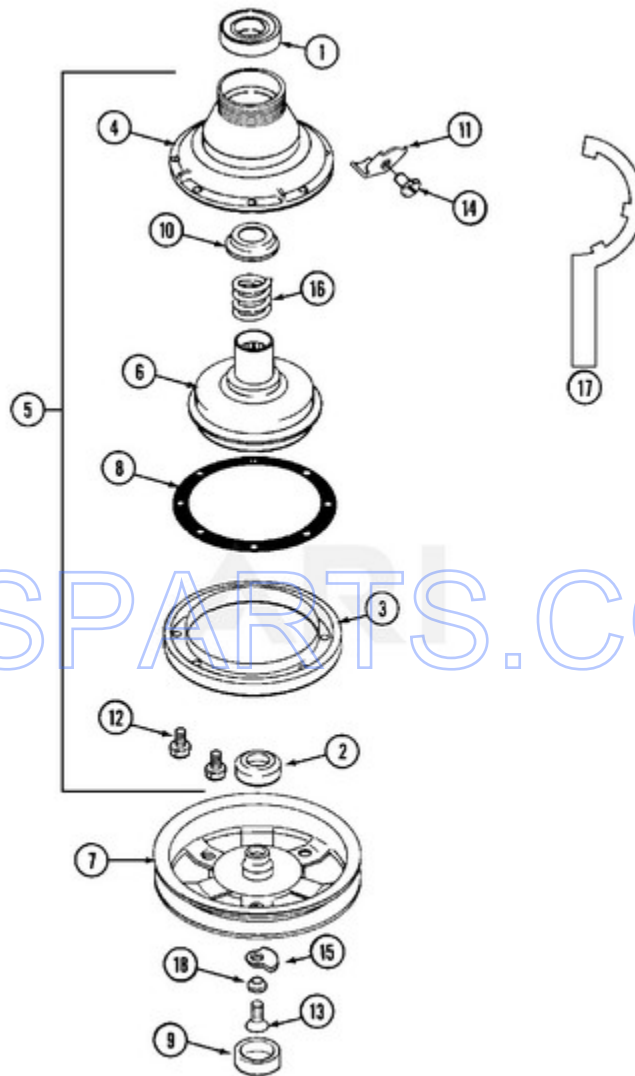
BDSPARTS.COM

MAT13PRBWW - 06 - TRANSMISSION



| Ref # | Part # | Description | Qty | Context | Note | MSRP |
|-------|----------|--------------------------------|-----|---------|------|------|
| 1 | 206628 | COVER, TRANSMISSION | 1 | Series | 10 | |
| 2 | 22002415 | SHAFT, AGITATOR | 1 | Series | 10 | |
| 3 | 206713 | GEAR, BEVEL | 1 | Series | 10 | |
| 4 | 22002342 | SHAFT, CENTER (DEEP TUB) | 1 | Series | 10 | |
| 5 | 22002353 | COLLAR, CENTER SHAFT | 1 | Series | 10 | |
| 6 | 22002416 | ASSEMBLY, CASE CASTING DEEP | 1 | Series | 10 | |
| 6 | Y056080 | TRANS LUBE (AUTO, 34 OZ.) | 1 | Series | 10 | |
| 7 | 215394 | WASHER, BEVEL GEAR | 1 | Series | 10 | |
| 8 | 211483 | WASHER, SPLINED | 1 | Series | 10 | |
| 9 | 206602 | SEAL, LIP (CENTER SHAFT) | 1 | Series | 10 | |
| 10 | 22002126 | TRANS (DEEP TUB, COMPLETE) | 1 | Series | 10 | |
| 11 | 215401 | PINION | 1 | Series | 10 | |
| 12 | 215395 | PLATE, CLUTCH | 1 | Series | 10 | |
| 13 | 215417 | SCREW, TRANSMISSION COVER | 4 | Series | 10 | |
| 14 | 22002417 | O-RING AGITATOR SHAFT | 1 | Series | 10 | |
| 15 | Y058700 | SILASTIC, ADHESIVE SEALANT | 1 | Series | 10 | |
| 16 | 22002341 | COLLAR, LOWER PLASTIC KEEPER | 1 | Series | 10 | |
| 17 | 206685 | BLOCK, TORQUE AND YOKE ASSEMBL | 1 | Series | 10 | |
| 18 | 22002340 | COLLAR, AGITATOR SHAFT | 1 | Series | 10 | |
| 19 | 22002341 | COLLAR, LOWER PLASTIC KEEPER | 1 | Series | 10 | |

MAT13PRBWW - 07 - CLUTCH, BRAKE & BELTS



| Ref # | Part # | Description | Qty | Note |
|-------|----------|--|-----|-----------|
| 1 | Y200720 | BALL BEARING, RADIAL----S | 1 | Series 10 |
| 2 | 200835 | BEARING, BRAKE ROTOR | 1 | Series 10 |
| 3 | 211043 | DRUM, BRAKE (INC:ROTOR,RETAINER,SPRING,DRM | 1 | Series 10 |
| 4 | 211045 | HOUSING, BRAKE | 1 | Series 10 |
| 5 | 201190 | BRAKE ASSEMBLY | 1 | Series 10 |
| 6 | 201126 | ROTOR, BRAKE (W/FACING) | 1 | Series 10 |
| 7 | 22002430 | PULLEY (EXPORT) | - | Series 10 |
| 7 | 22002431 | PULLEY ASSEMBLY | 1 | Series 10 |
| 8 | 211042 | GASKET, BRAKE DRUM | 8 | Series 10 |
| 9 | 22002428 | COVER, DUST (PLASTIC) | 1 | Series 10 |
| 10 | 211039 | RETAINER, BRAKE SPRING | 1 | Series 10 |
| 11 | 213325 | BOLT, RETAINING CLIP | 1 | Series 10 |
| 12 | 211000 | SCREW, HEX HEAD (BRAKE DRUM) | 1 | Series 10 |
| 13 | 211375 | SCREW,STOP LUG (CENTER SHAFT) | 1 | Series 10 |
| 14 | 213326 | SCREW, RETAINING CLIP | 1 | Series 01 |
| 15 | 211089 | LUG, STOP | 1 | Series 10 |
| 16 | 211041 | SPRING, BRAKE | 1 | Series 10 |
| 17 | Y038315 | TOOL, BRAKE PKG ASSY | 1 | Series 10 |
| 18 | 22003555 | WASHER, STOP LUG | 1 | Series 10 |