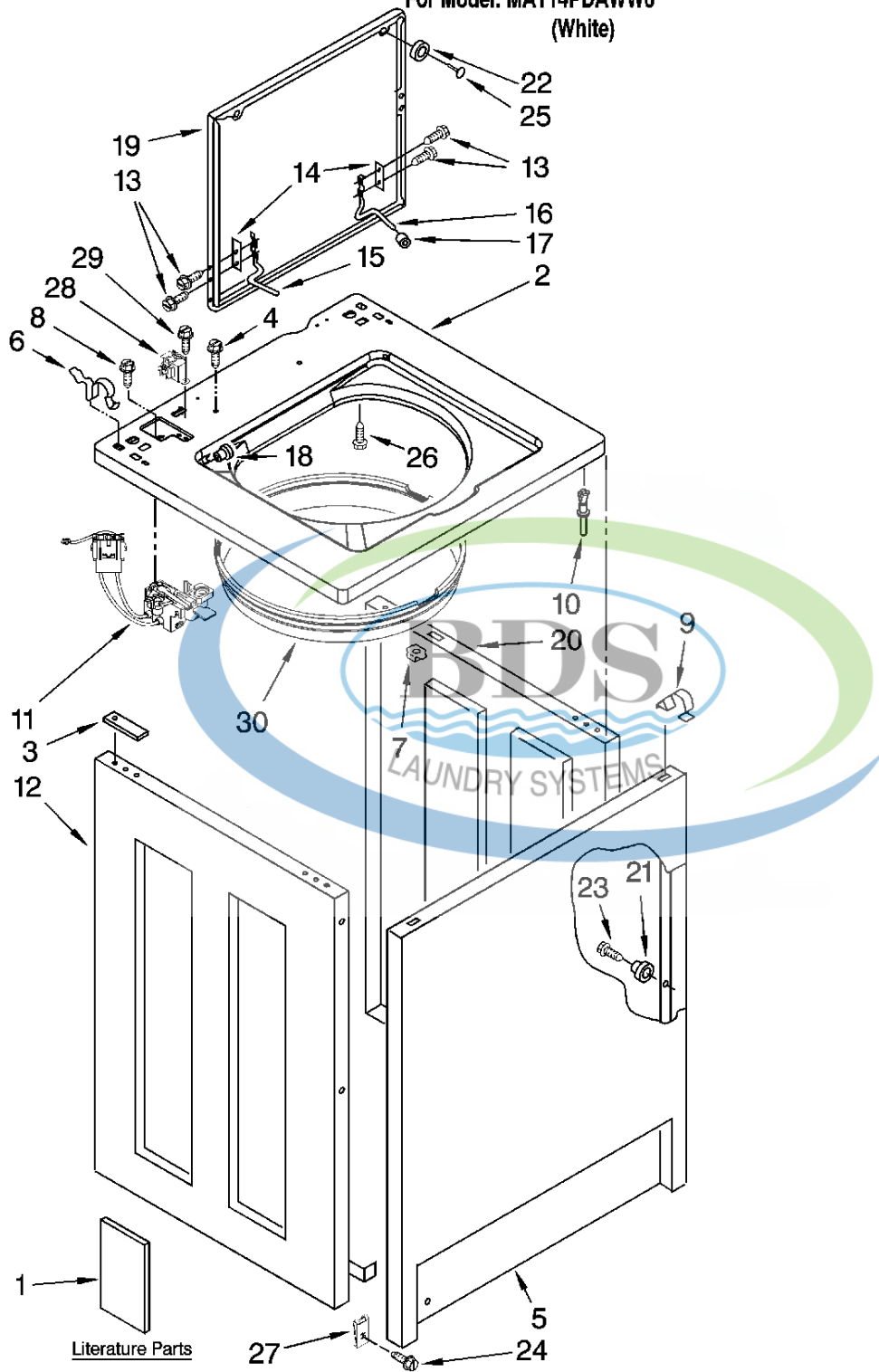


# TOP AND CABINET PARTS

For Model: MAT14PDAWW0  
(White)



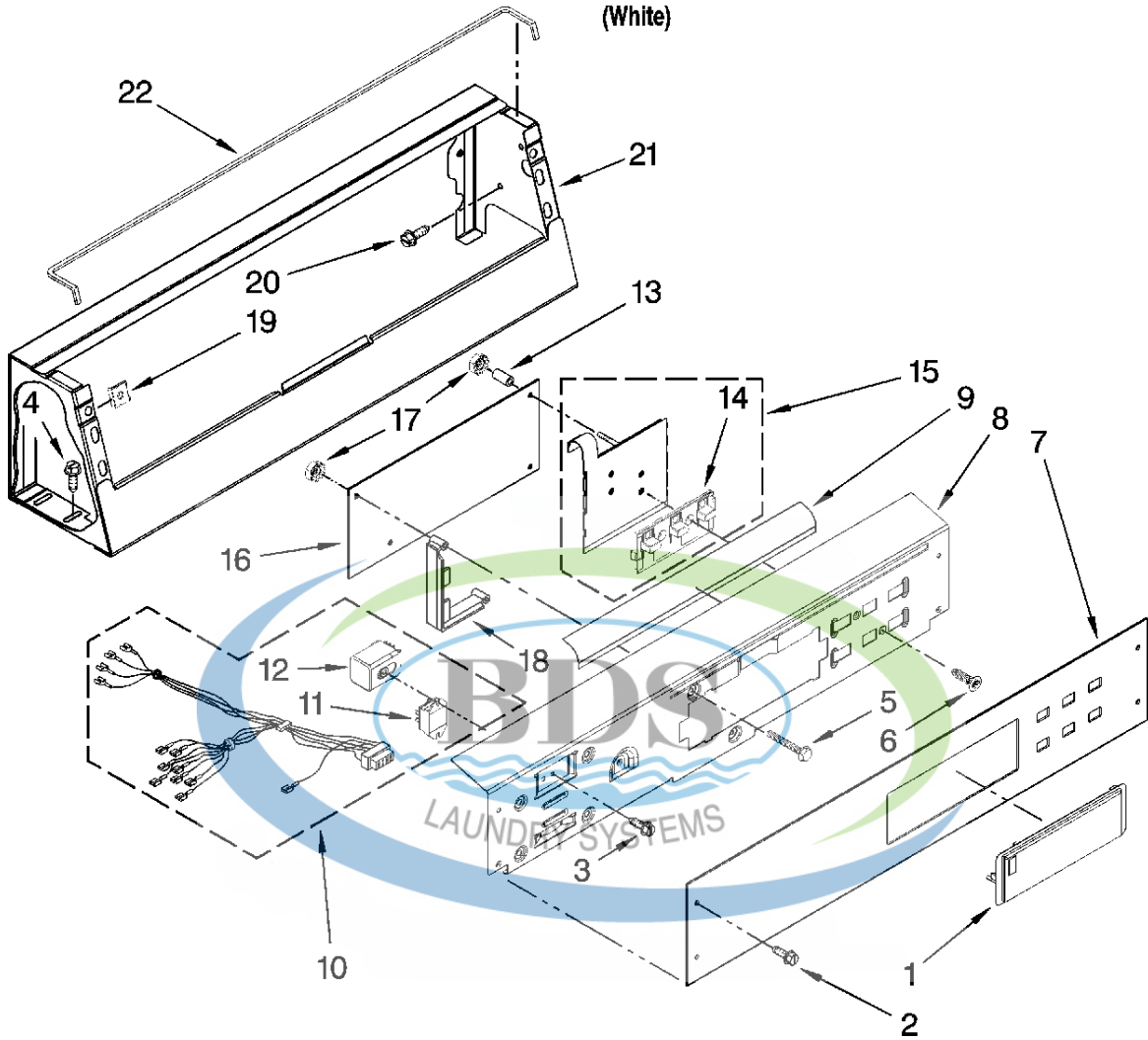
W10135284

Ref #	Part Number	Qty.	Description
1	W10135283		Installation Instructions (English)
1	W10135293		Installation Instructions (Spanish)
1	W10149401		Wiring Diagram
1	W10135297		Tech Sheet
1	W10135284		Repair Parts List
2	W10136711		TOP
3	3353950		Spacer, Cabinet To Top (4)
4	3351614		Screw, 10-24 x 3/8
5	3358500		Panel, Front
6	62780		Clip, Top & Cabinet & Rear Panel (2)
7	90406		Cage Nut
8	3400611		Screw & Washer, Lid Switch (2)
9	18776		Lock (2)
10	3353949		Pin, Locator (2)
11	8054980		Switch, Lid
12	3976382		Panel, L.H.
13	W10119828		Screw, Lid Hinge Mounting (4)
14	21097		Pad, Lid Hinge (2)
15	8524784		Hinge, Lid (L.H.)
16	54583		Hinge, Lid (R.H.)
17	19119		Bumper, Lid Hinge
18	21258		Bearing, Lid Hinge (2)
19	W10171146		Lid
20	3976380		PANEL R.H.
21	3353812		Locator (4)
22	356908		Bumper, Lid
23	718258		Screw (4)
24	3400077		Screw, 10-16 x 1/2
25	356907		Rivet, Plastic
26	3353993		Screw 10-16 X .690
27	98234		Clip, U-Bend (2)
28	W10131839		TRANSFORMER 120 TO 22.5 VAC.
29	90767		SCREW,8-18 X 3/8
30	8271956		Shield Assembly



# CONTROL PANEL PARTS

For Model: MAT14PDAWW0  
(White)

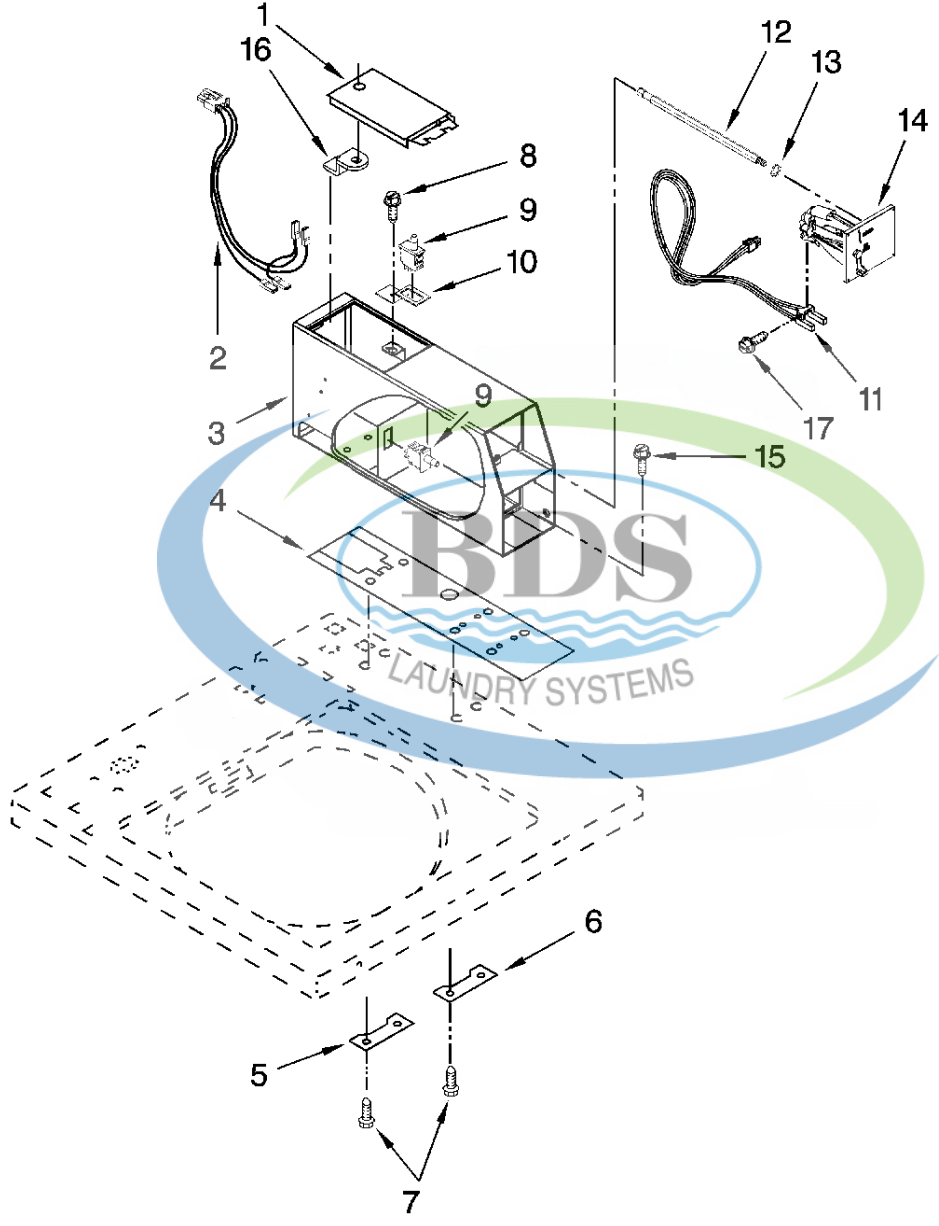


Ref #	Part Number	Qty.	Description
1	W10131114		Cover, Display
2	W10131119		Screw, 8-18 X 1/2
3	W10142650		Screw, 6-32 X .490
4	3390631		Screw, 10-16 X 3/8
5	W10137322		Screw, 6-32 X 1.00
6	W10140652		Screw, 6-20 X 1/2
7	W10135334		Facia / Overlay
8	W10124210		Bracket, Control
9	W10133515		Deflector
10	W10153453		Harness, Console & Relays
11	W10133335		Relay, Motor
12	W10133279		Relay, Reversing
13	W10133514		Spacer
14	W10131113		Push Button (2)
15	W10135389		Push Button & Switch Assembly
16	W10130701		Control Board
17	W10139046		Nut 6-32
18	W10161568		Shield, Probing
19	W10131123		Nut, 8 U-Type
20	W10139210		Screw, 8-18 X 5/16
21	W10137299		Console (Includes Item 22)
22	W10157932		Foam Seal



# METER CASE PARTS

For Model: MAT14PDAWW0  
(White)



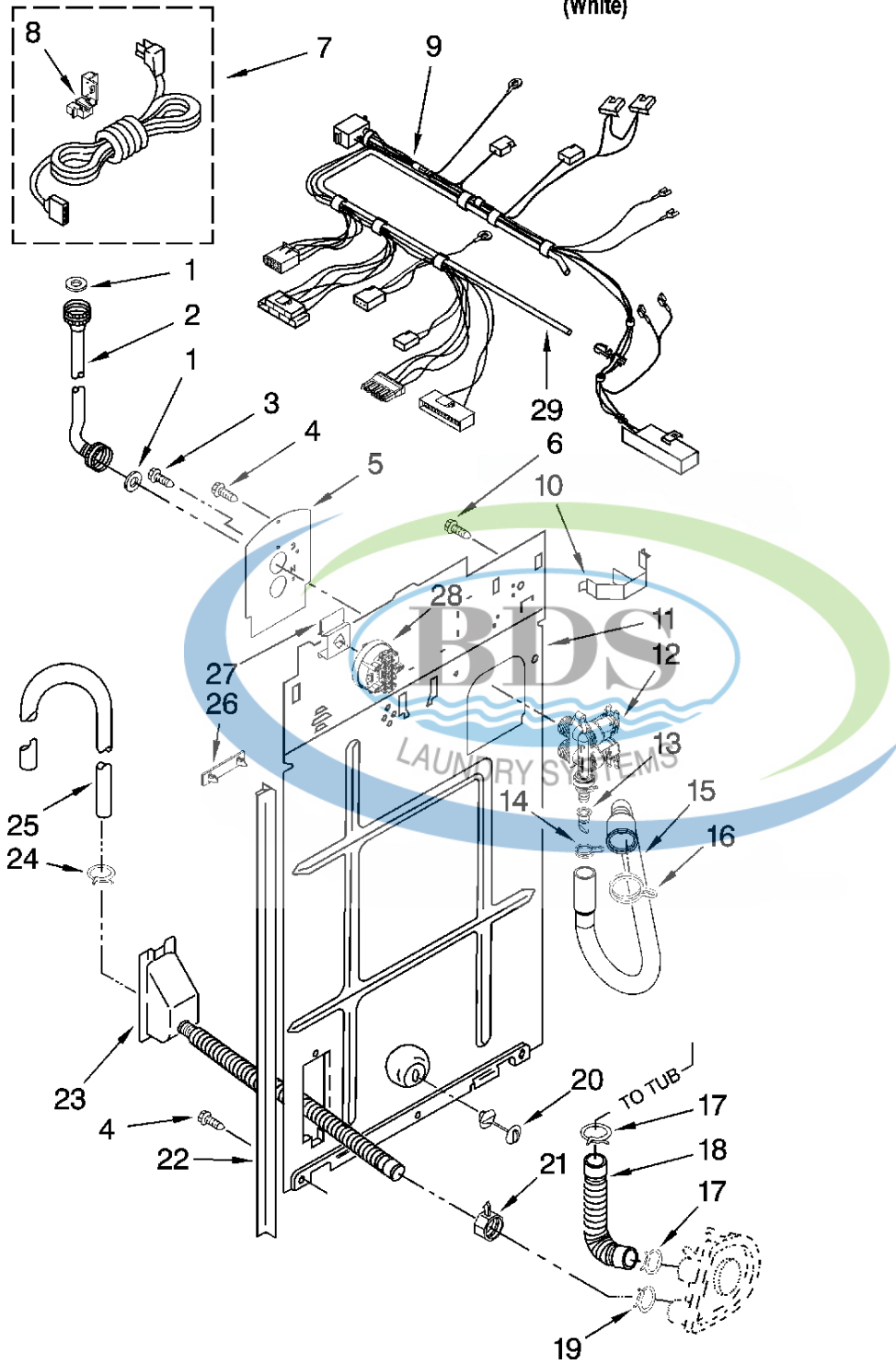
Ref #	Part Number	Qty.	Description
1	3351136		Door, Service
2	W10139456		Harness, Wire Sensor Switch
3	W10136645		Meter Case
4	3954812		Cushion, Case
5	3353813		Plate, Mounting
6	3347825		PLATE, MOUNTING
7	98445		Screw, 10-16 x 3/4
8	W10139210		Screw, 8-18 X 5/16
9	W10131838		SWITCH-VAULT SERVICE DOOR
10	W10133508		Bracket, Service
11	W10130178		Coin Optic Sensor Assembly
12	W10137319		HEX-BAR BOLT
13	W10068270		Washer
14	W10133242		Coin Drop Assy.
15	3353994		Bolt, Meter Case Mounting (5/16-18 X 2 1/2)
15	3349065		Bolt, Meter Case Mounting (5/16-24 X 1.00 (3))
16	W10156125		Cam, Commercial Lock
17	W10142655		Screw, 6-20 X 1.00



# REAR PANEL PARTS

For Model: MAT14PDAWW0

(White)



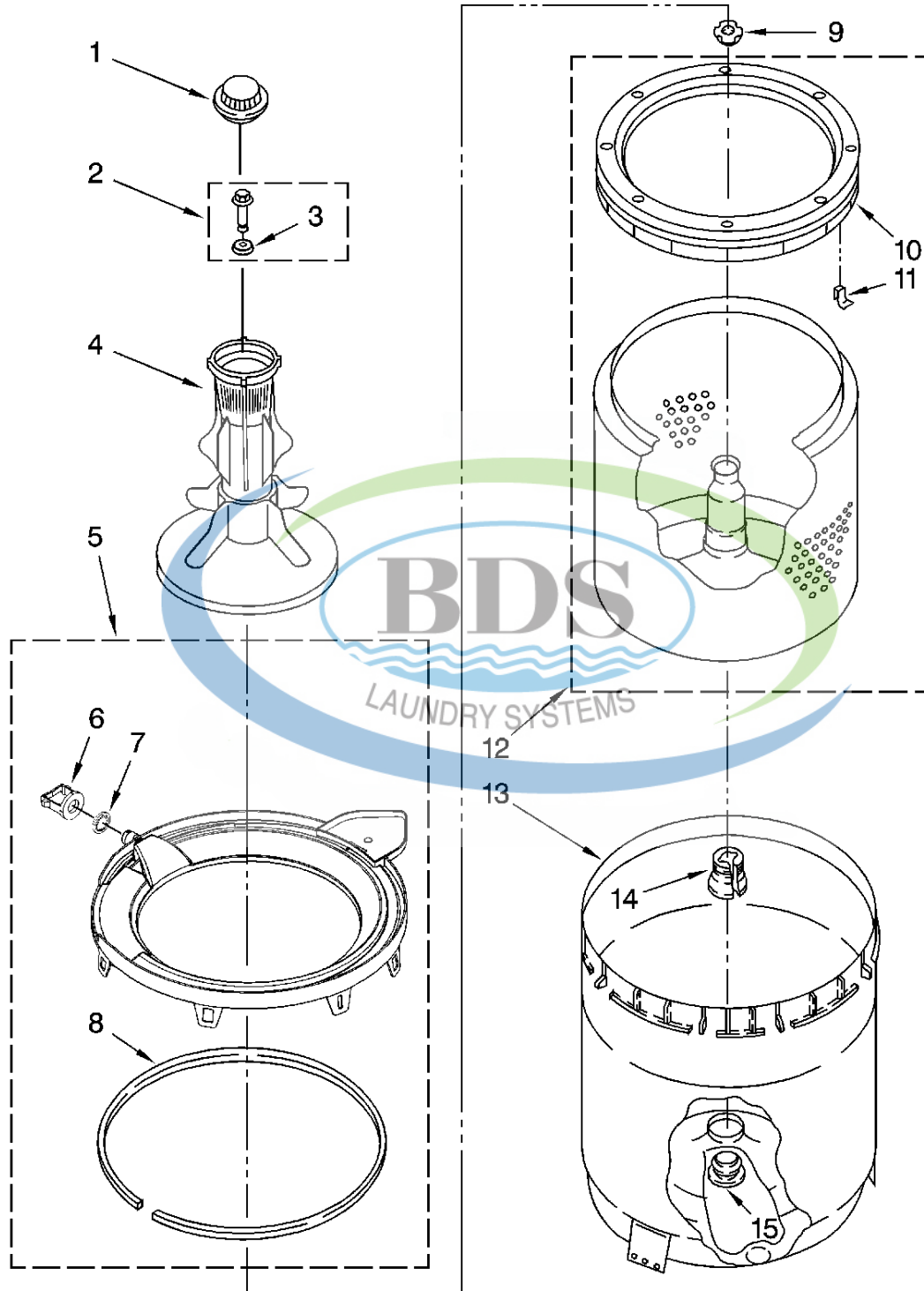
Ref #	Part Number	Qty.	Description
1	3976300		Washer, Water Inlet Hose (4) (1-1/16 x 5/8)
2	3949380		Hose, Water Inlet (2) (Blue Coupler)
2	3949381		Hose, Water Inlet (2) (Red Coupler)
3	9740848		Screw, 8-18 x 1/2
4	62863		Screw, 10-16 x 3/8
5	8541624		Plate, Mixing Valve
6	3351614		Screw, 10-24 x 3/8
7	3976231		Cord, Power
8	3952821		Strain Relief, Power Cord To Rear Panel
9	W10153452		Harness, Wiring (Includes Item 29) (For Detail See Pages 10 & 1...
10	8055003		Clip, Harness & Pressure Hose
11	8541649		Panel, Rear
12	W10151482		Valve, Water Inlet & Thermistor Assy.
13	8055306		Check Valve, Duck Bill
14	W10156124		Clamp, Hose
15	W10114765		Hose, Fresh Fill
16	W10151157		Clamp, Hose
17	3363366		Clamp, Hose
18	3951449		Hose, Pump To Tub (Includes Item 17)
19	W10142630		Clamp, Hose
20	8519200		Support, Rear Panel
21	3976395		Clamp, Hose
22	3354204		Pad, Rear Panel
23	8317959		Drain Hose Assy. (Includes Item 21)
24	8317496		Clamp, Hose
25	W10141216		Hose, Discharge Gooseneck
26	389379		Retainer, Side To Feature Panel (2)
27	W10133269		Bracket, Pressure Switch
28	W10134535		Pressure Switch Triple-Level
29	W10167585		Hose, Pressure Switch





# AGITATOR, BASKET AND TUB PARTS

For Model: MAT14PDAWW0  
(White)



W10135284

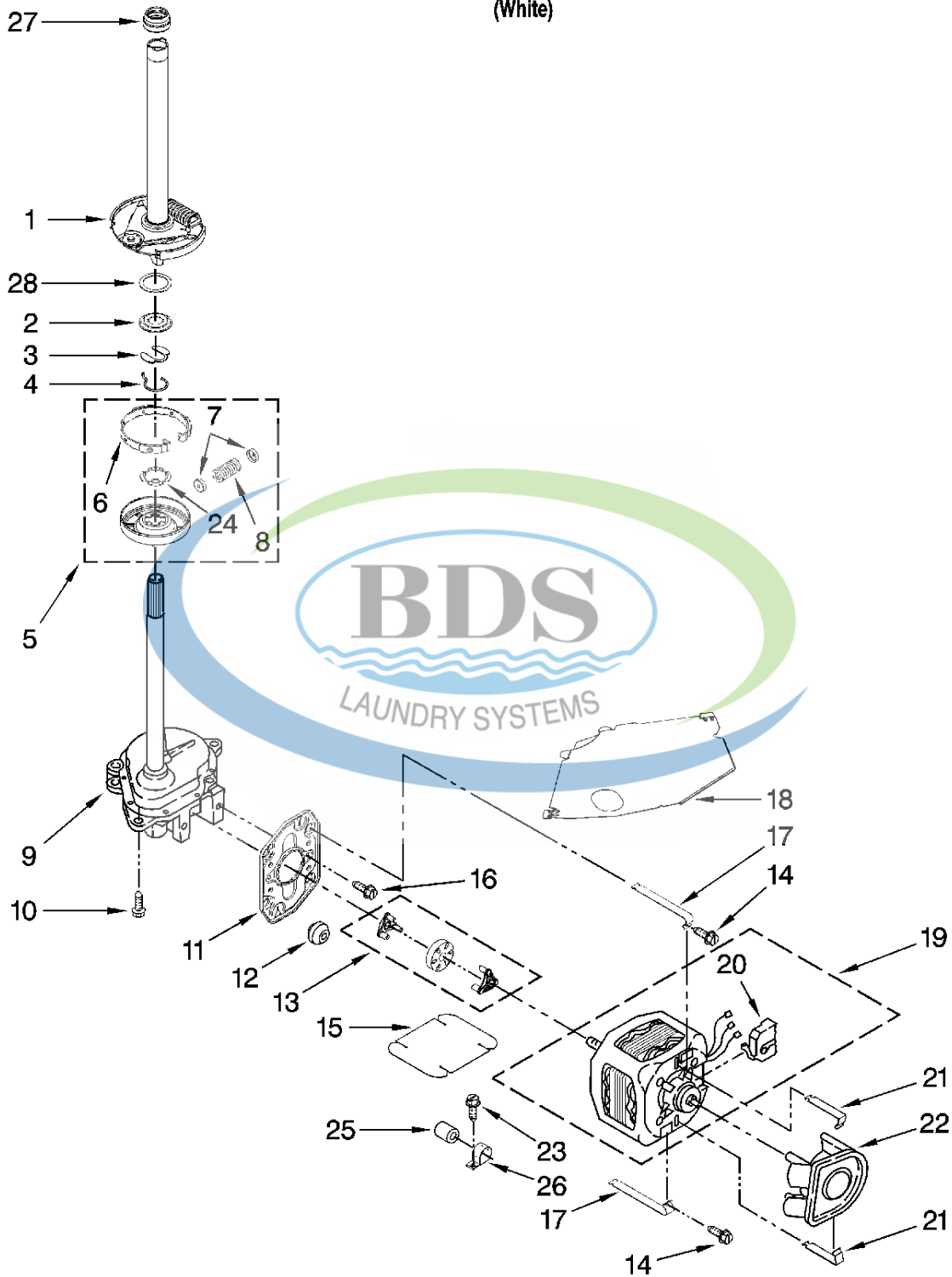
Ref #	Part Number	Qty.	Description
1	W10131111		Cap, Agitator
2	W10003790		Screw & Washer Assembly
3	3949550		Washer
4	W10131112		Agitator
5	W10114776		Tub Ring
6	8055316		Retainer, Check Valve
7	3369375		Wafer, Check Valve
8	3359586		Gasket, Tub Ring
9	21366		Nut, Spanner
10	3956205		Balance Ring (Includes Item 11)
11	8519815		Clip, Balance Ring (8)
12	8545860		Basket & Balance Ring
13	W10135424		Tub
14	389140		Block, Drive
15	383727		Gasket, Centerpost



# BRAKE, CLUTCH, GEARCASE, MOTOR AND PUMP PARTS

For Model: MAT14PDAWW0

(White)



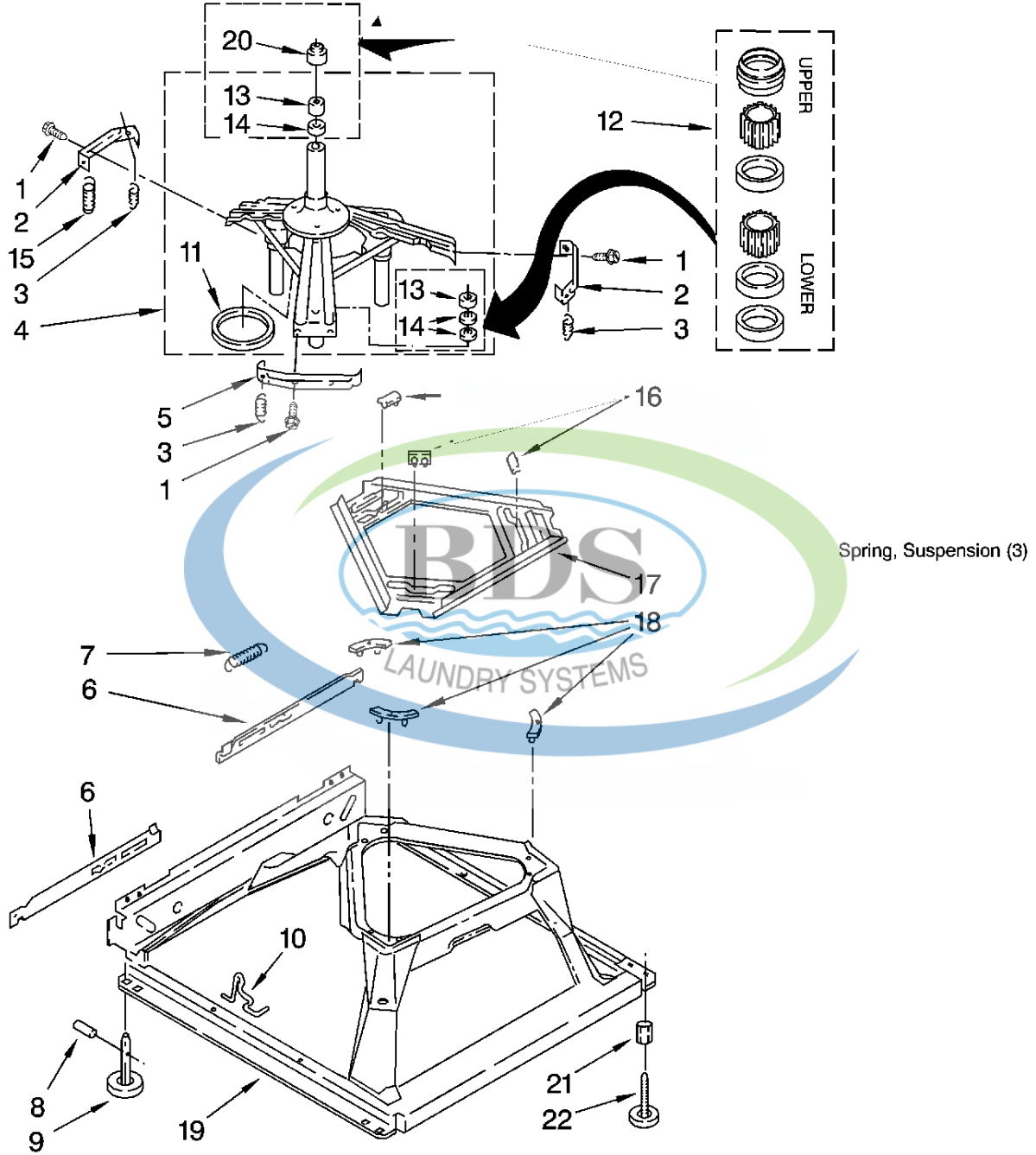
W10135284

Ref #	Part Number	Qty.	Description
1	388951		Brake & Drive Tube (Complete) (Refer to Page 12 For Further Br...
2	63292		Washer, Spin Tube Thrust
3	62697		Ring, Spin Tube Support
4	63283		Ring, Retainer
5	8299642		Clutch (Complete)
6	3951993		Band & Lining Assembly
7	62646		Cap, Clutch Spring (2)
8	8559387		Spring & Damper Assembly
9	W10140301		Gearcase (Complete) (Refer To Page 13 For Further Breakdown)
10	3357334		Screw, Gearcase To Base (3)
11	62611		Plate, Motor Mount To Gearcase
12	62691		Grommet, Motor (4)
13	3978849		Coupling, Motor And Isolation
14	3387485		Screw (2) 10-16 x 5/8
15	3946532		Shield, Motor
16	3400516		Screw
17	W10086010		Retainer, Motor (2)
18	3362089		Shield, Tub To Motor
19	W10153111		Motor, Main Drive
20	3952056		Switch, Main Drive Motor
21	8546127		Retainer, Pump (2)
22	3363394		Pump (Complete)
23	62863		Screw, 10-16 x 3/8
24	3355454		Clip, Anti- Rattle
25	8572717		Capacitor
26	3949496		Clamp, Capacitor
27	8577374		Seal
28	8578981		Washer, Thrust



# MACHINE BASE PARTS

For Model: MAT14PDAWW0  
(White)

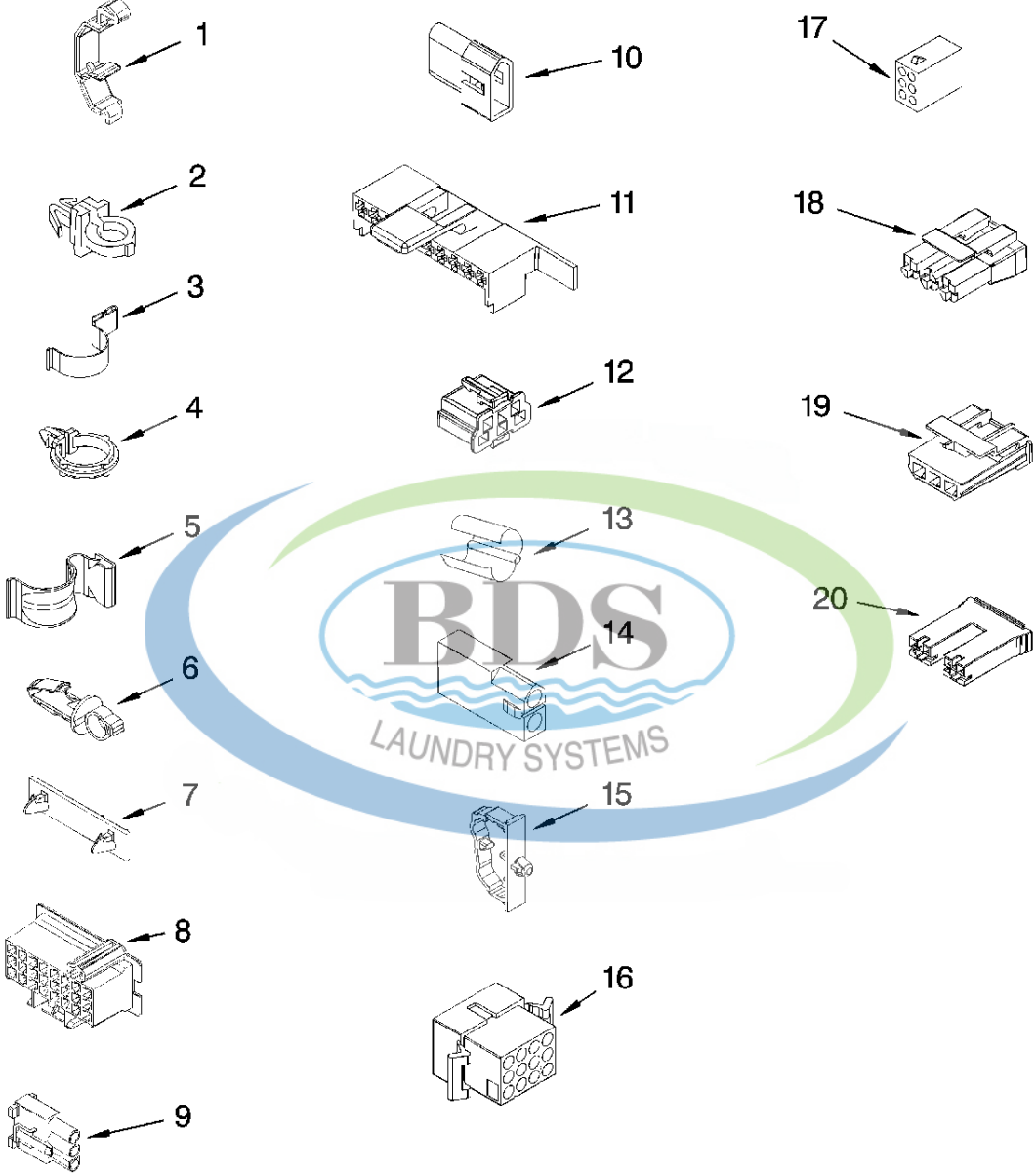


Ref #	Part Number	Qty.	Description
1	3400076		Screw, Bracket Mounting (10-32 x 5/8)
2	64067		Bracket, Spring Outer (2)
3	63907		Spring, Suspension (3)
4	3362087		Tub & Brake Support
5	64065		Bracket, Spring Outer (L.F.)
6	63466		Link, Leveling Mechanism (2)
7	62597		Spring, Leveling Mechanism
8	62837		Pin, Knurled
9	62596		Foot, Rear (2)
10	W10145155		Retainer, Suspension Spring
11	63134		Ring, Sound Deadening
12	285203		Centerpost Bearing Kit (Includes Items 13, 14 & 20)
13	8546455		Bearing, Centerpost
14	357409		Seal, Centerpost
15	8534035		Spring, Counterweight
16	62568		Pad, Plate
17	3946509		Plate, Suspension (Includes Item 16)
18	3363660		Pad, Base
19	3946512		Base Assembly (Includes Items 6, 7, 8, 9, 10 & 18)
20	8577376		Seal, Centerpost
21	3359452		Nut, Lock (3/8-16)
22	W10001130		Foot, Front (2)



# WIRING HARNESS PARTS

For Model: MAT14PDAWW0  
(White)



WH2J

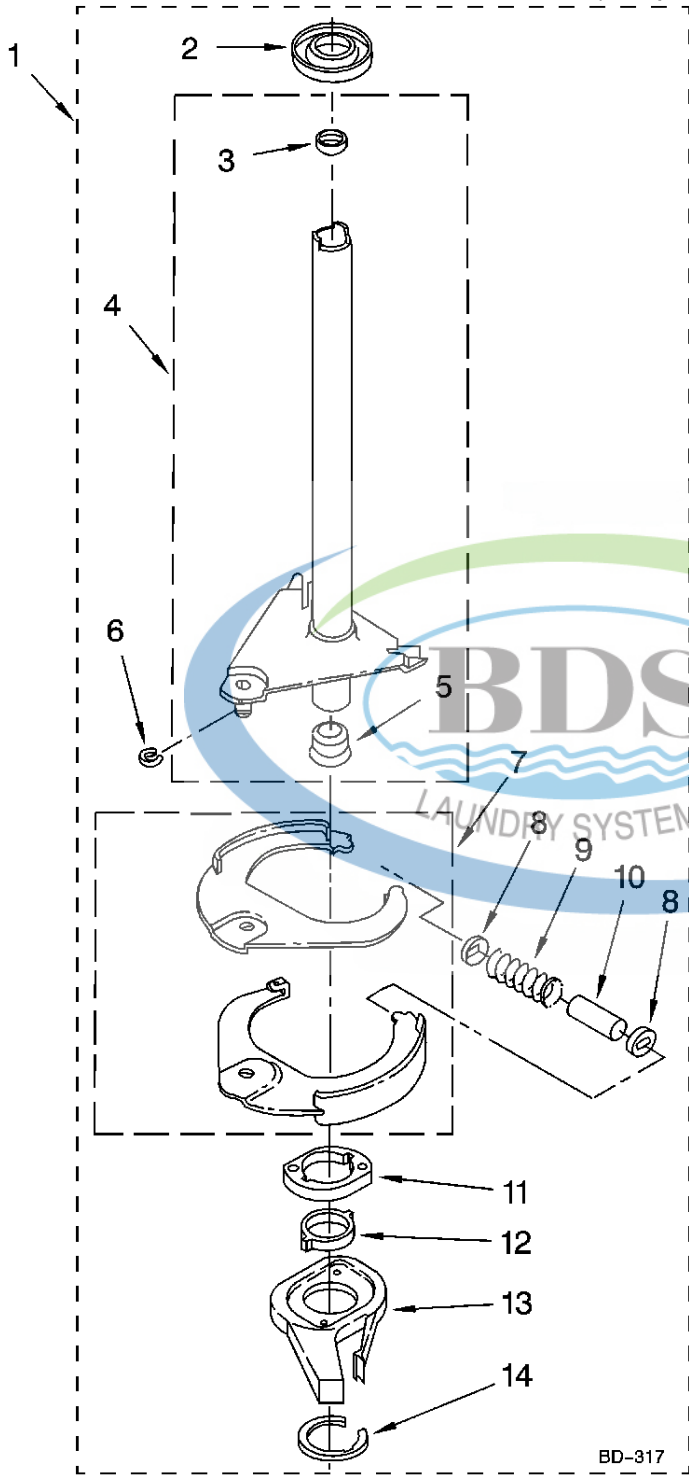
Ref #	Part Number	Qty.	Description
1	3349557		Retainer, Harness
2	388498		Clip, Harness
3	3347812		Clip, Harness
4	3352501		Clip, Harness (Push-In)
5	90016		Clip, Harness (Half-Harness)
6	3390496		Clip, Harness
7	389379		Retainer, Harness
8	3948614		Timer, Block Disconnect (Natural)
8	352089		Timer, Block Disconnect (Black)
9	62889		Receptacle, Terminal (3-Way)
10	353424		Plug, Terminal (3-Way)
11	62505		Block, Disconnect (Motor 2 Speed)
12	3347243		Block, Disconnect
13	63523		Protector
14	717252		Connector, 2-Way
15	3352944		Clip, Harness
16	3390423		Block, Disconnect (12-Way)
17	3347730		Receptacle (6-Way)
18	3948617		Connector (T.P.A.) (3-Circuit)
19	3360056		Plug (T.P.A) (3-Circuit) (Pressure Switch)
20	3354925		Block, Connector (Natural)
20	3354926		Block, Connector (Red)





# BRAKE AND DRIVE TUBE PARTS

For Model: MAT14PDAWW0  
(White)



BD-317

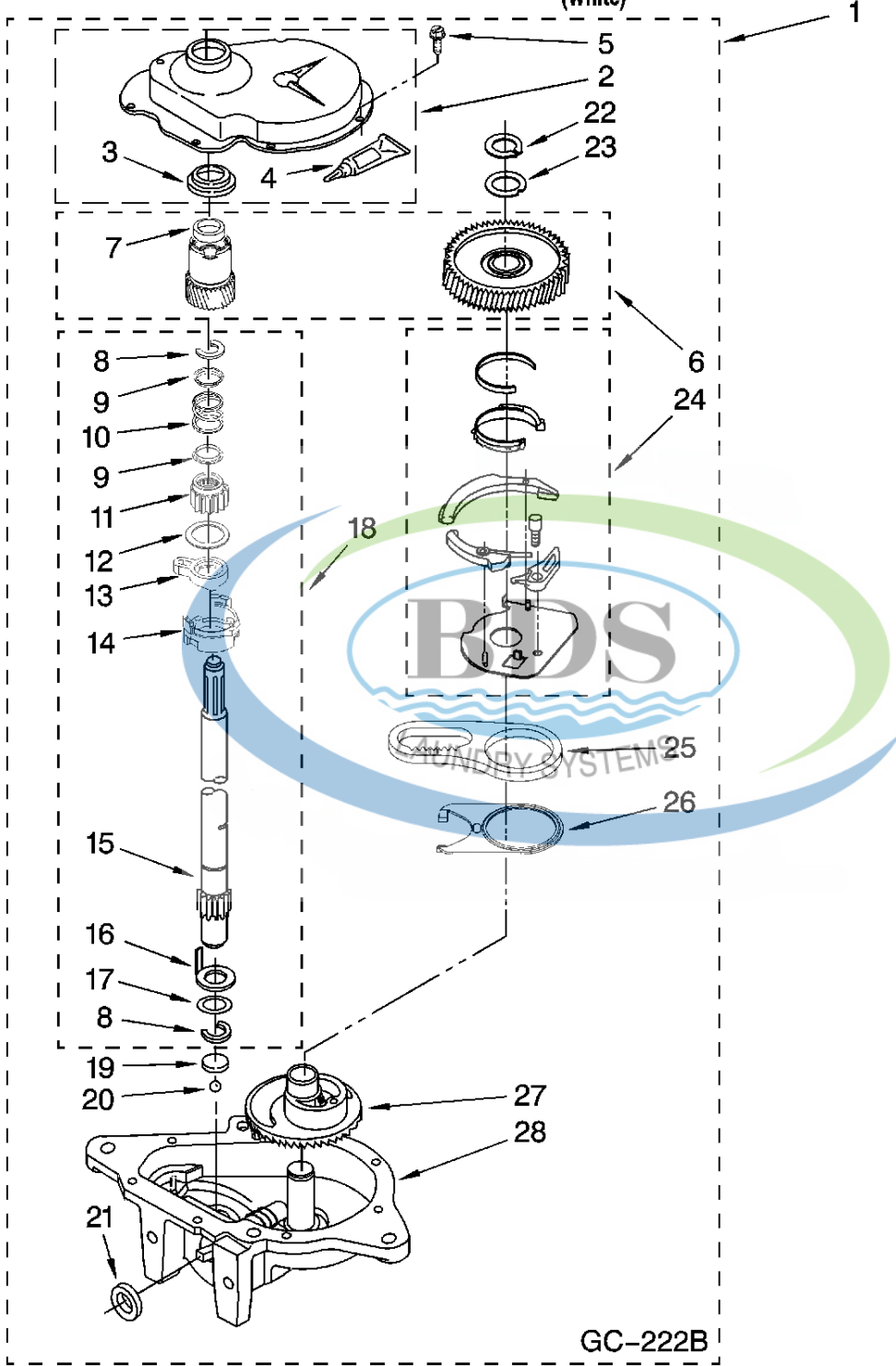
Ref #	Part Number	Qty.	Description
1	W10157617		Brake And Drive Tube (Complete)
2	62658		Ring, Thrust
3	356427		Seal, Drive Tube
4	W10117001		Tube, Basket Drive (Includes Illus. 3, 5 & 6)
5	8546462		``T`` Bearing Spin Tube
6	W10083190		Ring, Retaining
7	W10150064		Brake Shoe (2)
8	3353956		Cap, Brake Spring (2)
9	387806		Spring, Brake
10	3355360		Sleeve, Brake
11	8546461		Cam, Brake Release
12	63022		Sleeve, Cam
13	64194		Driver, Brake Cam
14	W10083200		Ring, Retaining
	285208		FOLLOWING PARTS NOT ILLUSTRATED Lubricant (Use Only In Brake Shoe Assembly On Roller & Pin)



# GEARCASE PARTS

For Model: MAT14PDAWW0

(White)

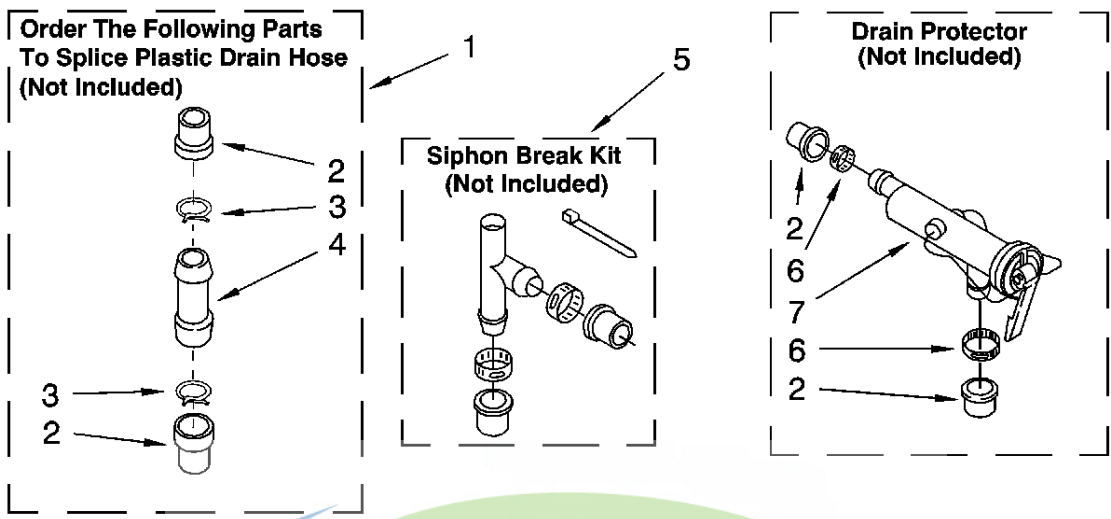


Ref #	Part Number	Qty.	Description
1	W10140301		Gearcase (Complete)
2	285202		Cover, Gearcase
3	3349985		Seal, Gearcase Cover
4	285195		Sealer, Gasket (.20 Fl. Oz.) (6 ml)
5	3351614		Screw, Gearcase Cover, Mounting (8) (10-24 x 3/8)
6	W10172898		Spin Pinion & Gear Spin Kit
7			Seal, Spin Pinion (Not Serviceable Part Of Illus. 6)
8	90369		Ring, Retaining (2)
9	62677		Retainer, Spring (2)
10	62676		Spring, Agitate
11	W10110245		Gear, Agitate (Includes 15 & 17)
12	62619		Washer, Agitate Gear
13	62580		Cam Follower (Includes 14)
14	3976349		Cam, Agitate (Includes 13)
15	389231		Shaft, Agitator
16	62618		Washer, Cam Thrust
17	388815		Washer, Intermediate
18	389387		Shaft, Agitator (Complete)
19	16018		Bearing, Thrust
20	85529		BALL BEARING
21	W10111745		Seal, Thrust Plug
22	3362552		Ring, Retaining
23	285766		Washer Kit, Thrust
24	388253		Neutral Assembly
25	8546456		Rack, Connecting
26	62621		Actuator, Shift
27			Gear-Main Drive (Not Serviced Separately)
28			Bottom & Pinion Gearcase (Not Serviced Separately)



# WATER SYSTEM PARTS

For Model: MAT14PDAWW0  
(White)



WS400

Ref #	Part Number	Qty.	Description
1	285442		Connector Kit, Plastic Drain Hose
2	285321		Sleeve Kit, (Contains 2 Sleeves)
3	370447		Clamp, Hose
4	16272		Connector, Straight
5	285320		Siphon Break Kit (Not Included)
6	65349		Clamp, Hose
7	367031		Drain Protector (Not Included)
	72017		PAINT, TOUCH-UP (1/2oz.) (White)
	350938		PAINT, PRESSURIZED SPRAY (12 OZ.) (PRIMER, GRAY)
	350930		PAINT, PRESSURIZED SPRAY (12OZ. WHITE)
	799344		PAINT, BULK (1 qt.) (White (Uncut))
			OIL
	350572		Oil, Gearcase (16 Oz.)
			LUBRICANT
	285208		Lubricant (Use Only in Brake Shoe Assembly On Roller and Pin)
	389236		Lubricant, Agitator Spline
			SEALER
	285195		Sealer, Gasket (.20 Fl. Oz.) (6 ml)

